

SUZUKI

PARTS CATALOGUE

DL650M4

(JS1C733A)

DL650A
DL650XA

E01



2023-10

2ND EDITION

This part catalogue supersedes all the following part catalogue with immediate effect

Model of catalogue	Parts catalogue No.
DL650AM4	9900B-32035-000

PREFACE

When it becomes necessary to replace parts on SUZUKI MOTORCYCLES, always use SUZUKI GENUINE PARTS which have passed a strict inspection which guarantees quality and performance.

This parts catalogue covers the list of all service parts for SUZUKI DL650AM4, DL650XAM4.

INSTRUCTIONS FOR QUOTING THE CATALOGUE

1. DIMENSIONS

Dimensions of the parts in this catalogue are indicated in unit millimeters.

2. ABBREVIATIONS

Abbreviations used in this catalogue are as follows:

AR	: As required	NT	: Number of teeth
ASSY	: Assembly	OPT	: Optional
E. NO.	: Engine number	OS	: Over size
F. NO.	: Frame number	STD	: Standard
D	: Diameter of material	T	: Thickness
ID	: Inside diameter	US	: Under size
OD	: Outside diameter	W	: Width
L	: Length		
LH	: Left hand side		
RH	: Right hand side		
~100045	: Up to F. NO. A100-100045		
100046~	: From F. NO. A100-100046		
12 x 34 x 5.6.....	Figures in the description column		
	show the dimensions of parts.		
ID OD T	(or W, L)		

→12345-56781 (Parts No.) : indicates that the parts number was changed to 12345-56781 and the new parts are interchangeable with the former ones but the former ones are not interchangeable with new ones.

←12345-56781 (Parts No.) : indicates that the former and new parts are interchangeable with each other and both are usable.

3. INNER PARTS OF ASSEMBLY

Part name with a dot (.) in front as shown in the description column indicates the component of the assembly also available individually.

4. MODIFICATION NOTICE

A parts bulletin will be sent to you on all occasions when changes in parts occur, including interchangeable modifications between new parts and old ones.

5. NOTE

5-1. There are some different parts from those of production models among spare parts for the administrative reasons and common use of them with other models.

5-2. In respect of rubber hoses and vinyl tubes, please be sure to use them by cutting off according to the length mentioned on parts catalogue or what is actually required on the vehicle.

5-3. Note that the drawings on the illustration page are for ready reference of spare parts number, not to be used as an assembly manual.
When assembling, use "SUZUKI SERVICE MANUAL".

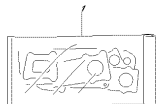
6. SPECIFICATION CODE

This catalogue contains the parts for the model designed for the following spec. ;
spec. code : E01.

7. SERIAL FRAME NUMBER

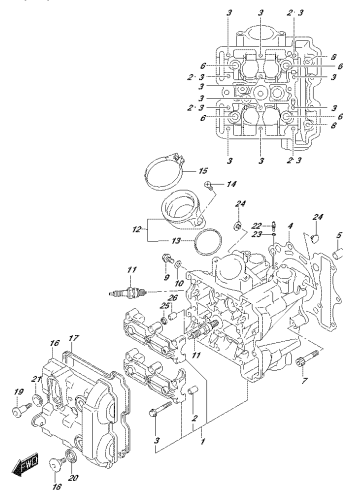
DL650AM4 : JS1C733AZR7100001~
DL650XAM4 : JS1C733AZR7100001~

FIG. 101A



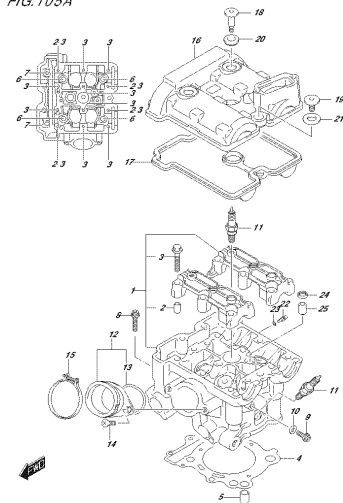
EX 8504496, EP1, 101A
CARBURET

FIG. 104A



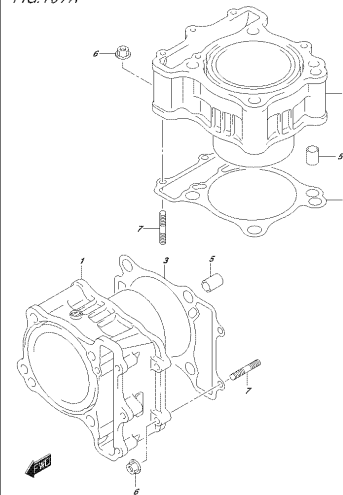
EX 8504496, EP1, 104A
CARBURETHER/STROMER

FIG. 105A



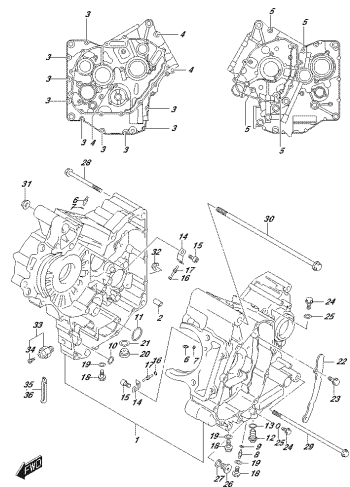
EX 8504496, EP1, 105A
CARBURETHER/STROMER

FIG. 107A



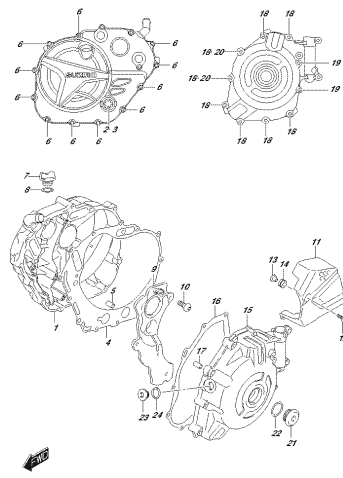
EX 8504496, EP1, 107A
CARBURET

FIG. 108A



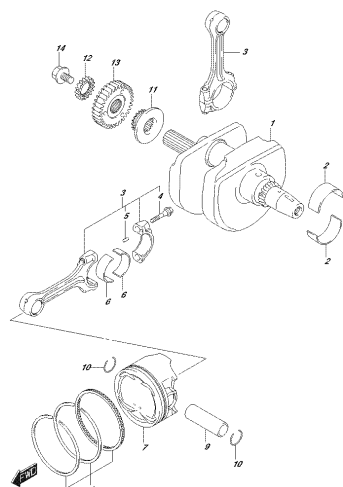
EX 8504496, EP1, 108A
CARBURET

FIG. 112A



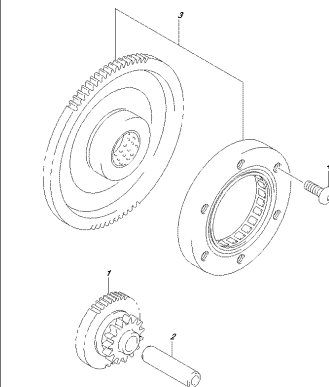
EX 8504496, EP1, 112A
CARBURETHER/STROMER

FIG. 120A



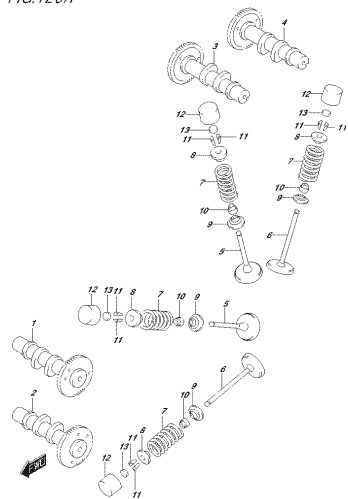
EX 8504496, EP1, 120A
CARBURETHER/STROMER

FIG. 122A



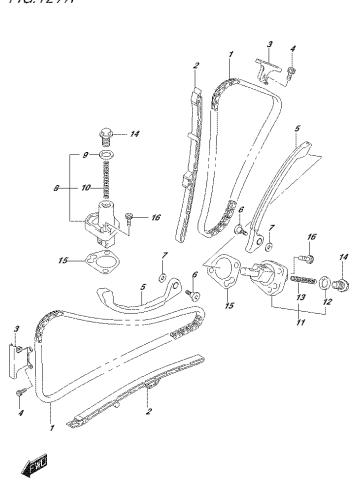
EX 8504496, EP1, 122A
STARTER CLUTCH

FIG. 126A



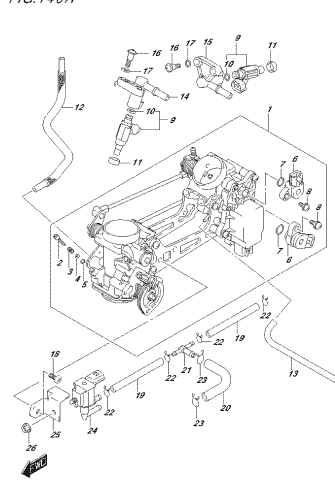
ZEISSHAKR, EPT., 1054
CARBURATORE

FIG. 127A



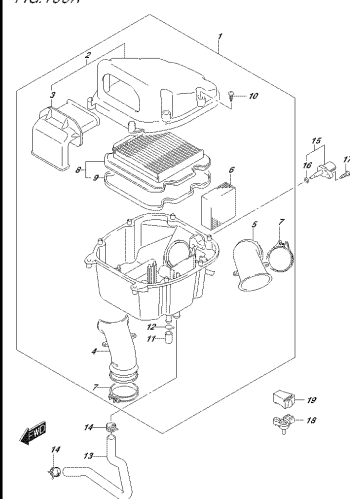
ZEISSHAKR, EPT., 1074
CARBURATORE

FIG. 140A



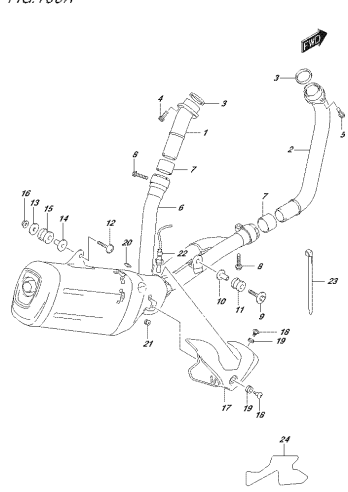
ZEISSHAKR, EPT., 1054
CARBURATORE

FIG. 155A



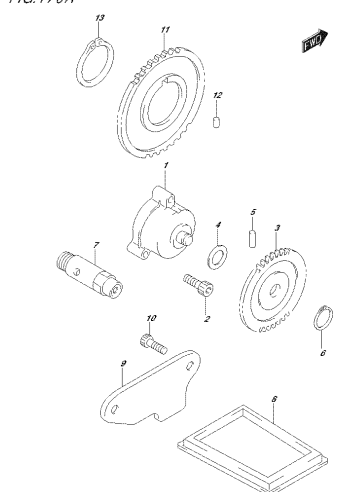
ZEISSHAKR, EPT., 1054
CARBURATORE

FIG. 163A



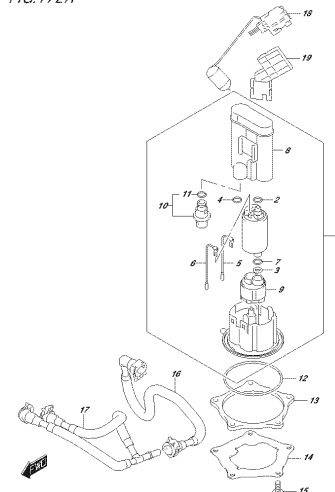
ZEISSHAKR, EPT., 1054
CARBURATORE

FIG. 170A



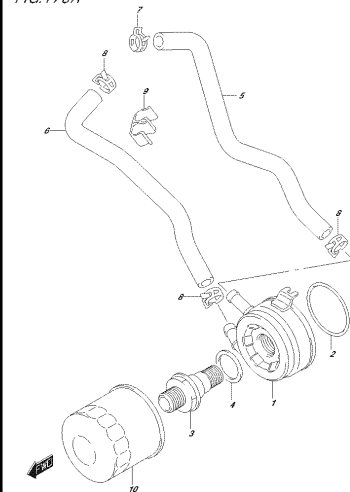
ZEISSHAKR, EPT., 1704
CARBURATORE

FIG. 172A



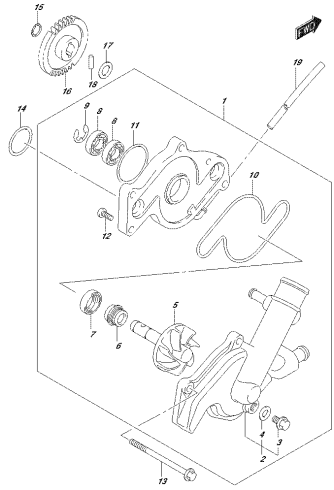
ZEISSHAKR, EPT., 1704
CARBURATORE

FIG. 178A



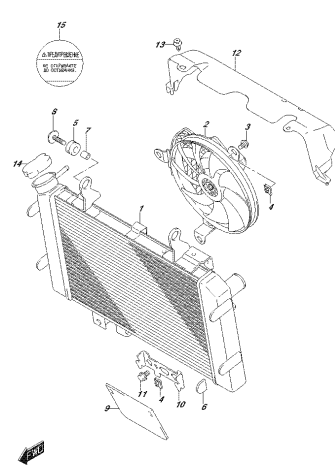
ZEISSHAKR, EPT., 1704
CARBURATORE

FIG. 180A



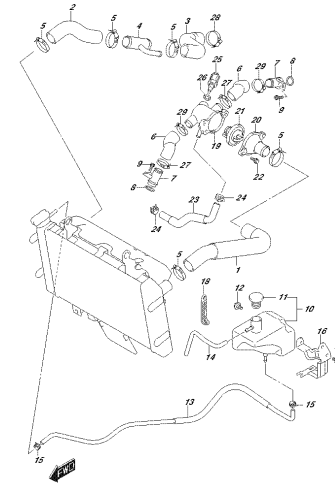
EX. 8524496, EP. 1, 180A
HAND PUMP

FIG. 185A



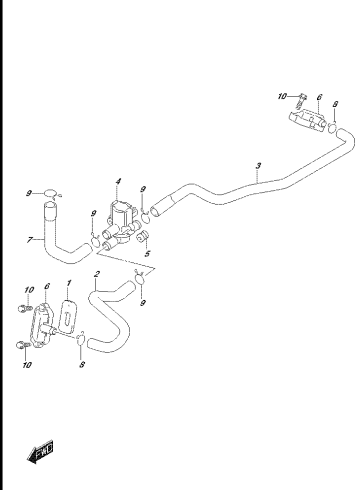
EX. 8524496, EP. 1, 185A
ROLLER COASTER

FIG. 187A



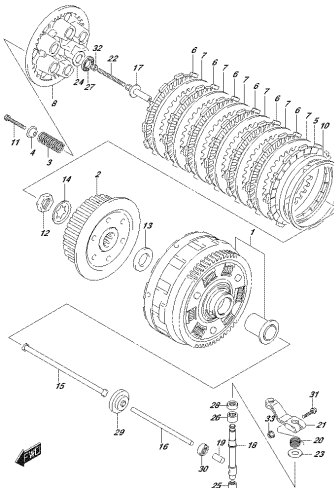
EX. 8524496, EP. 1, 187A
ROLLER COASTER

FIG. 189A



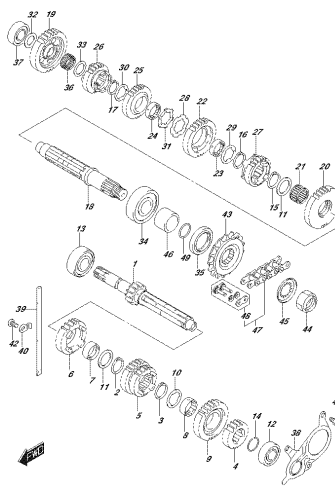
EX. 8524496, EP. 1, 189A
ROLLER COASTER

FIG. 201A



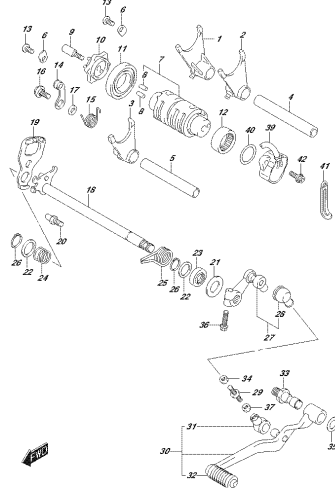
EX. 8524496, EP. 1, 201A
CLUTCH

FIG. 206A



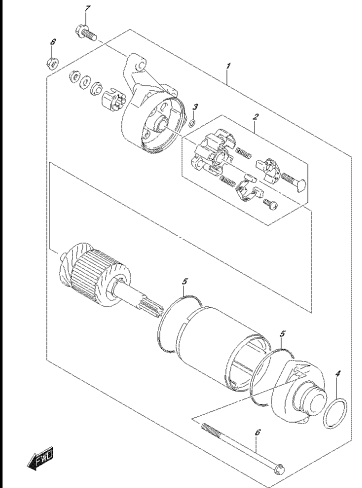
EX. 8524496, EP. 1, 206A
GEAR SHIFT MECHANISM

FIG. 212A



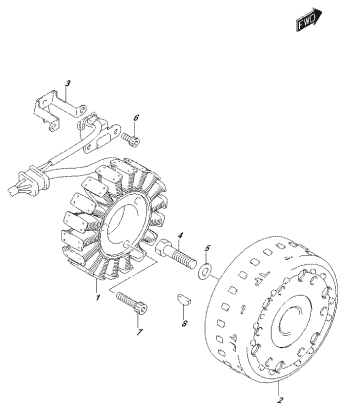
EX. 8524496, EP. 1, 212A
GEAR SHIFT MECHANISM

FIG. 301A



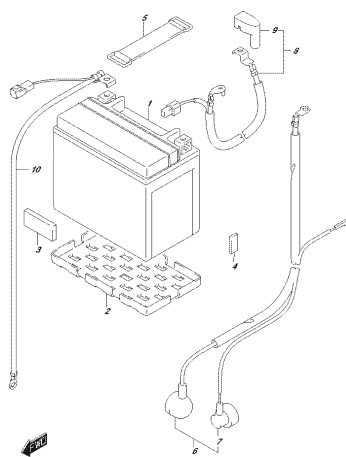
EX. 8524496, EP. 1, 301A
STARTING MOTOR

FIG.303A



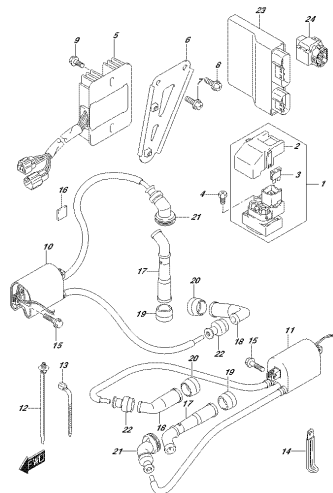
EX.8520496, EP.L.3204
HEADLIGHT

FIG.310A



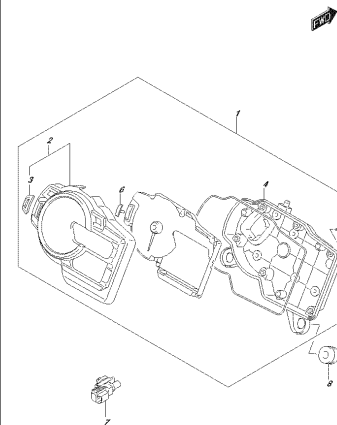
EX.8520496, EP.L.3204
BATTERY

FIG.312A



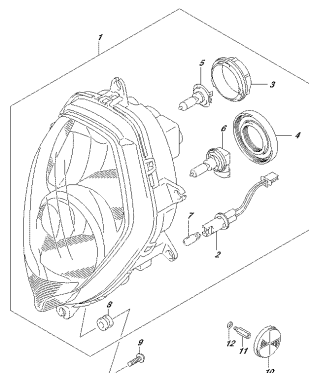
EX.8520496, EP.L.3204
ELECTRICAL

FIG.330A



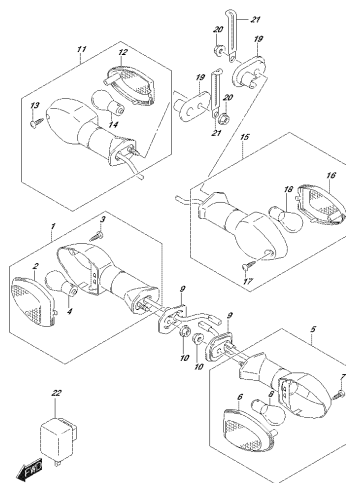
EX.8520496, EP.L.3204
SPRECHERZEUG

FIG.333A



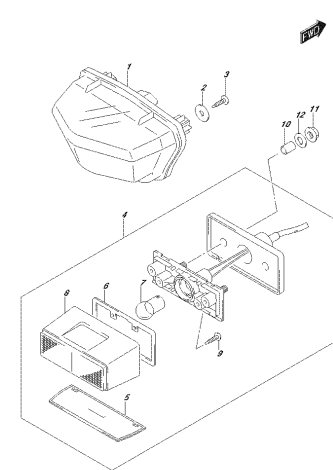
EX.8520496, EP.L.3204
HEADLAMP

FIG.334A



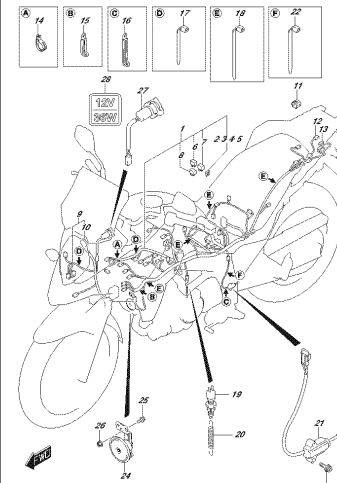
EX.8520496, EP.L.3204
TÜRSPIGEL LAMPE

FIG.339A



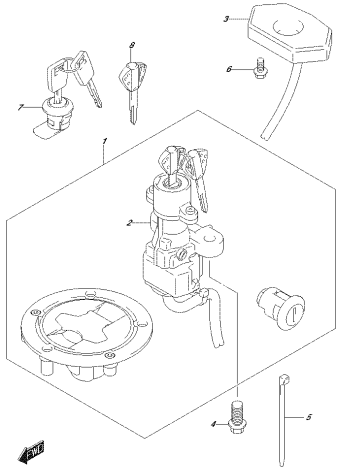
EX.8520496, EP.L.3204
REARANSICHTSPÜGEL LAMPE

FIG.350A



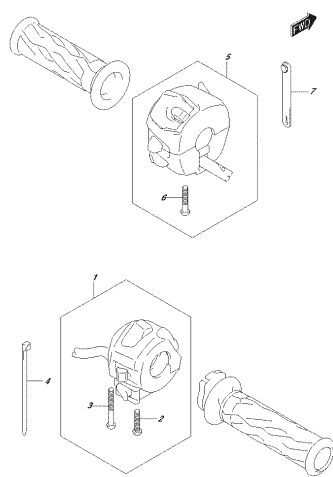
EX.8520496, EP.L.3204
HORNLEUCHTZEUG

FIG.352A



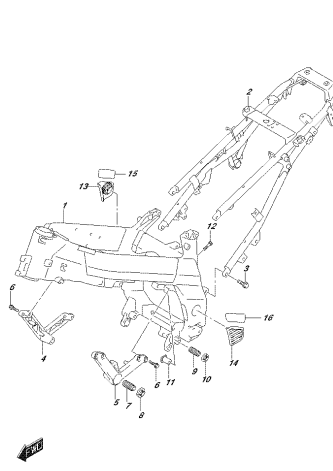
SUZUKI/MK, EPT, 1054
LOCK SET

FIG.355A



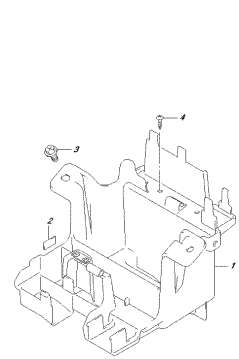
SUZUKI/MK, EPT, 1054
HANDLE/GRIP/STY

FIG.401A



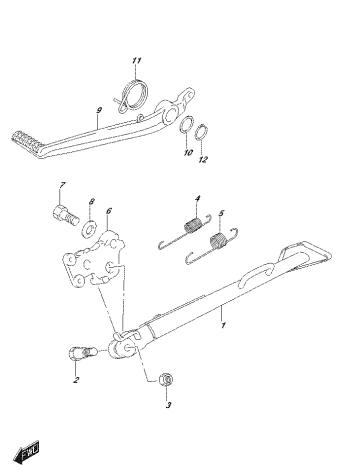
SUZUKI/MK, EPT, 4014
REAR WHEEL

FIG.405A



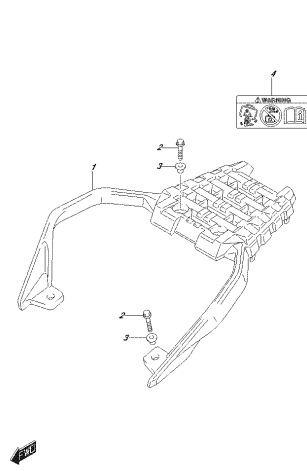
SUZUKI/MK, EPT, 4054
SEAT/SEAT/HOLDUP

FIG.407A



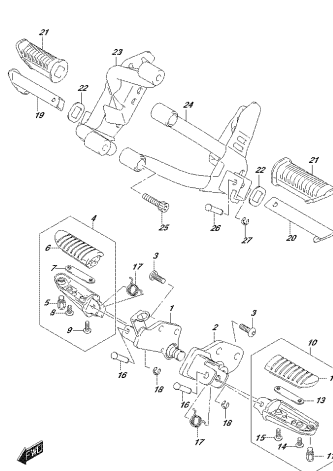
SUZUKI/MK, EPT, 4074
STEERING

FIG.412A



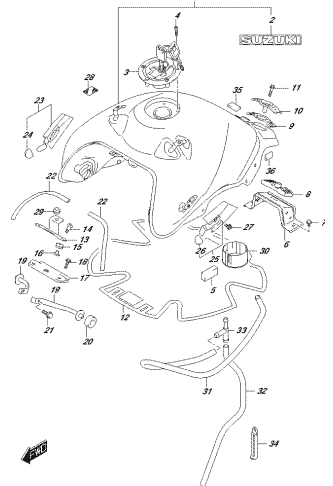
SUZUKI/MK, EPT, 4124
CHASSIS

FIG.415A



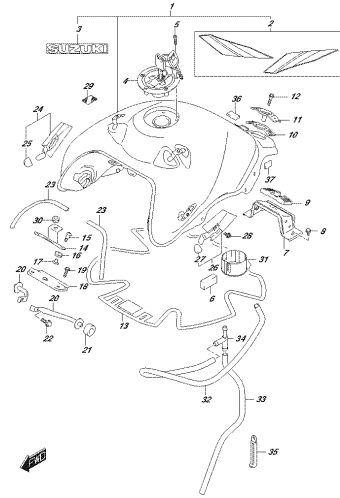
SUZUKI/MK, EPT, 4154
FOOTREST

FIG.420A



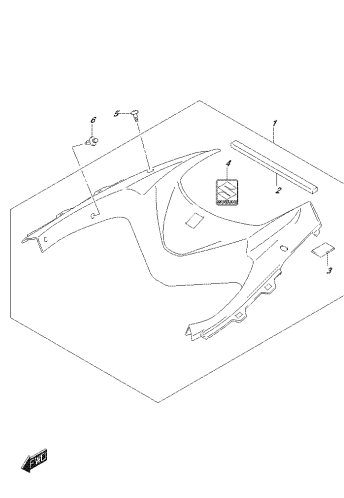
SUZUKI/MK, EPT, 4204
FUEL TANK

FIG.420B



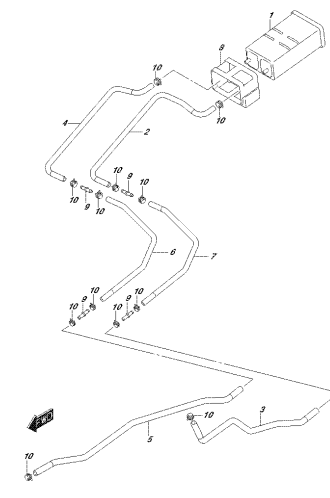
ELBOSNARK, EPT, 420B
FLEEC DRAW

FIG.423A



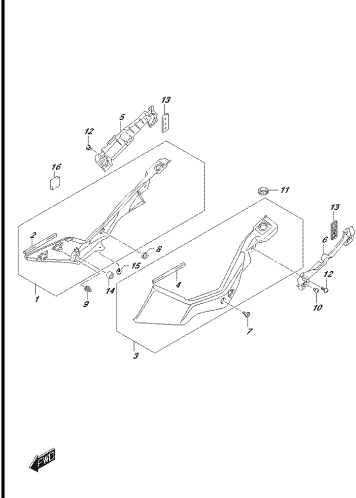
ELBOSNARK, EPT, 423A
FLEEC DRAW/CONCEPT

FIG.427A



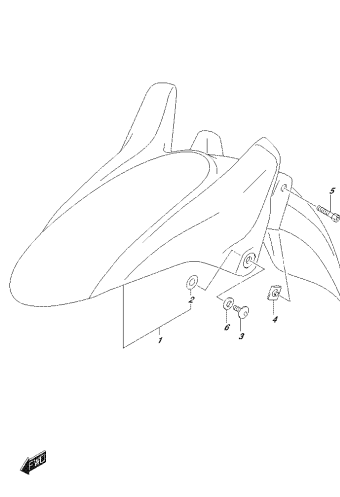
ELBOSNARK, EPT, 427A
CONCEPT/ISSUE

FIG.445A



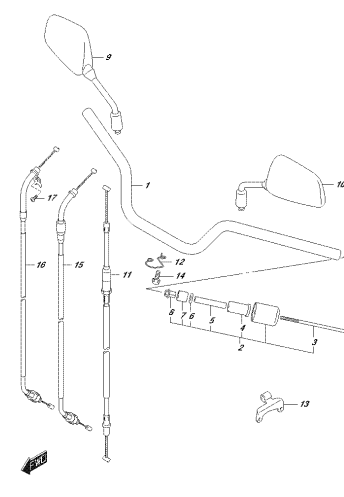
ELBOSNARK, EPT, 445A
STRAKRECONCEPT

FIG.460A



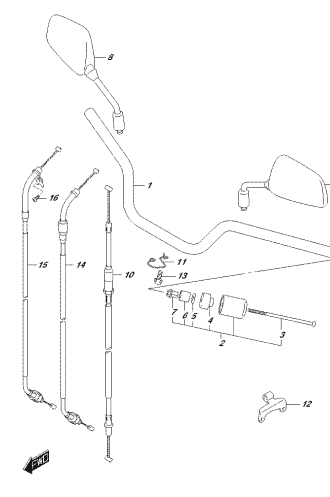
ELBOSNARK, EPT, 460A
FRONT FORK/CONCEPT

FIG.462A



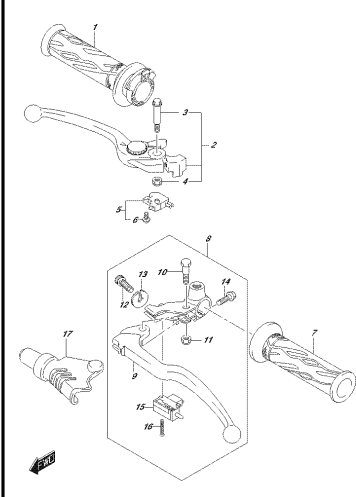
ELBOSNARK, EPT, 462A
HARZELLE/ISSUE

FIG.462B



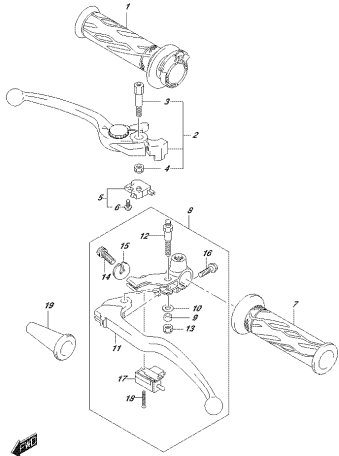
ELBOSNARK, EPT, 462B
HARZELLE/ISSUE

FIG.467A



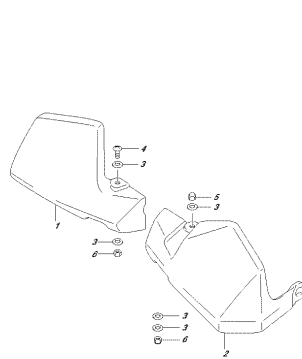
ELBOSNARK, EPT, 467A
HARZELLE/ISSUE

FIG.467B



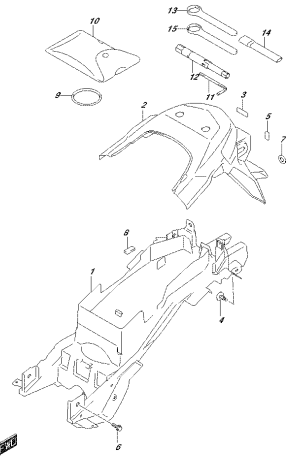
EX.8503496, EP.1, 467B
MANIGLIA C/GRIP

FIG.472A



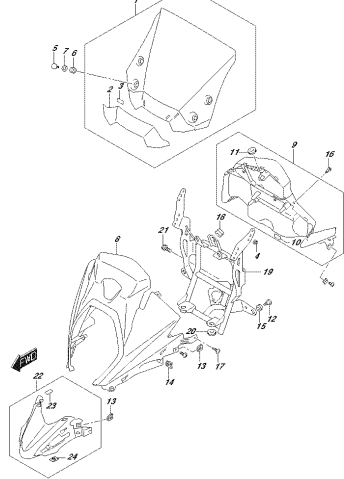
EX.8503496, EP.1, 472A
SILINDRO C/GRIP

FIG.474A



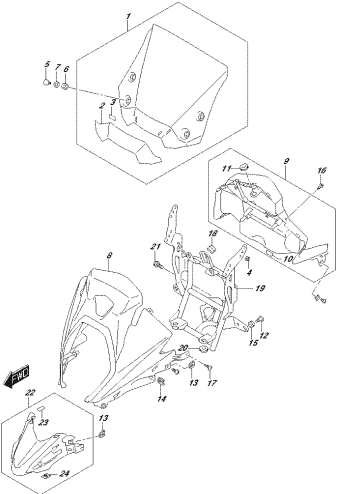
EX.8503496, EP.1, 474A
SEDILE C/GRIP

FIG.481A



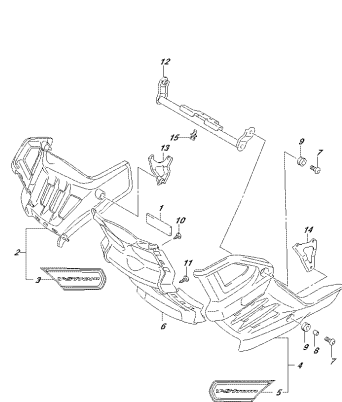
EX.8503496, EP.1, 481A
CORRADO C/GRIP

FIG.481B



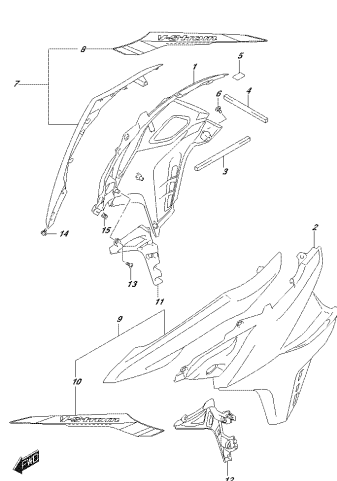
EX.8503496, EP.1, 481B
CORRADO C/GRIP

FIG.483A



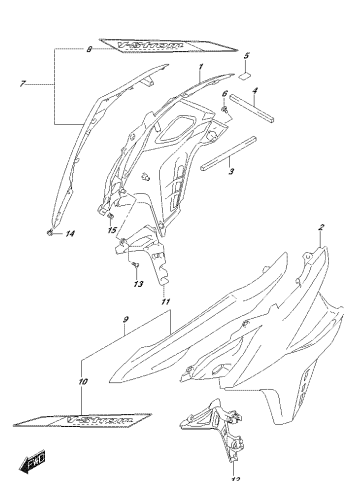
EX.8503496, EP.1, 483A
LACERY C/GRIP

FIG.485A



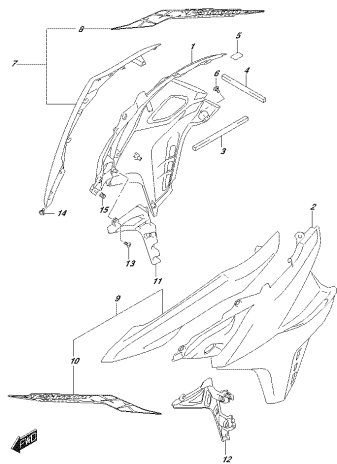
EX.8503496, EP.1, 485A
SIZE C/GRIP

FIG.485B



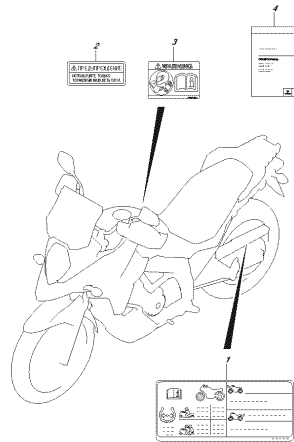
EX.8503496, EP.1, 485B
SIZE C/GRIP

FIG.485C



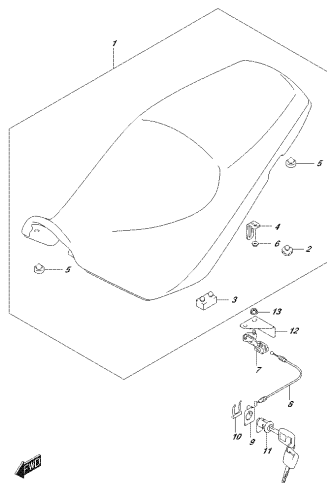
EX.805449X, EP1_L_485C
SIZE C/20X31G

FIG.496A



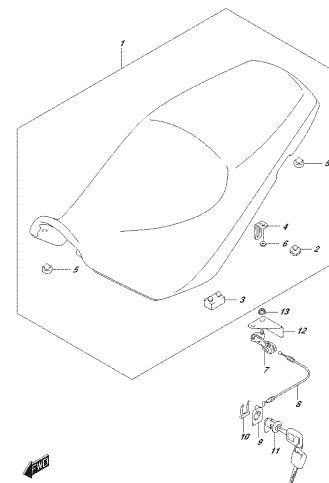
EX.805449X, EP1_L_496A
LARGE

FIG.505A



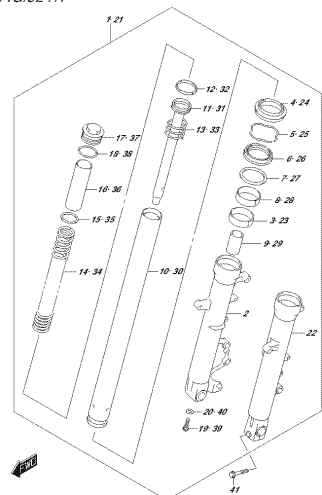
EX.805449X, EP1_L_505A
32X4

FIG.505B



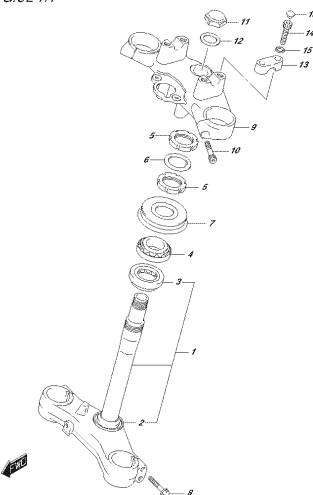
EX.805449X, EP1_L_505B
32X4

FIG.521A



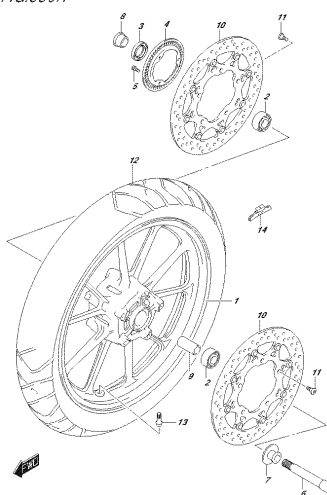
EX.805449X, EP1_L_521A
FRONT FORK CHAMFER

FIG.524A



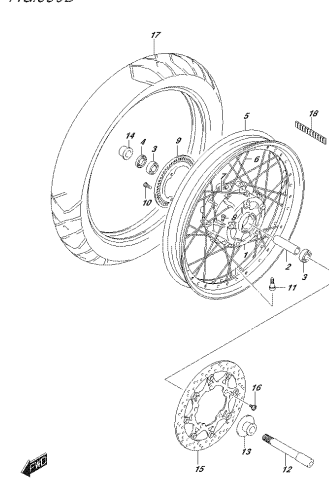
EX.805449X, EP1_L_524A
STEERING STEM

FIG.530A



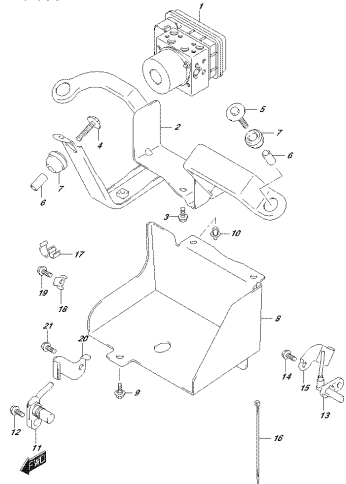
EX.805449X, EP1_L_530A
FRONT WHEEL

FIG.530B



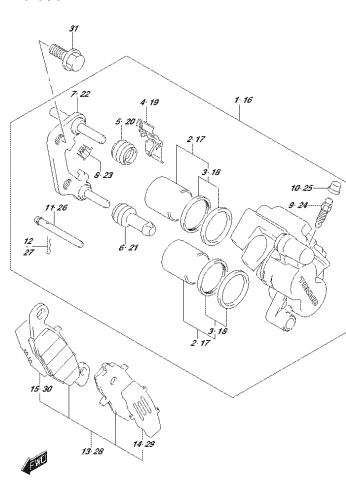
EX.805449X, EP1_L_530B
FRONT WHEEL

FIG.533A



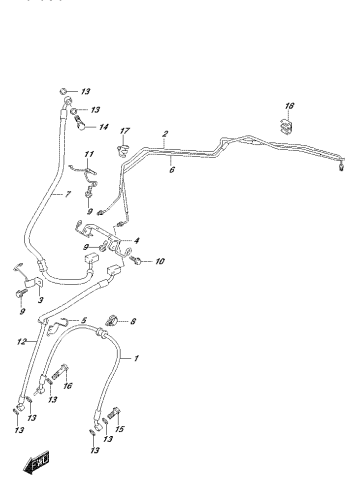
EX.8524496, EP.L.5254
HYDRAULIC LIFT

FIG.535A



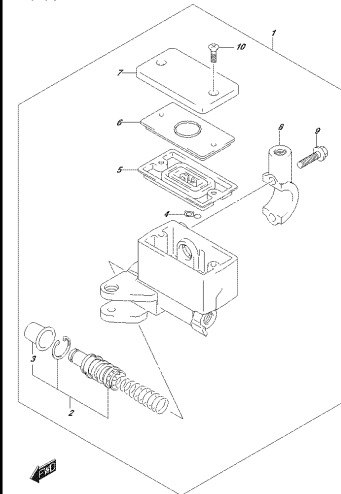
EX.8524496, EP.L.5254
FRONT SHOCK-ABSORBER

FIG.536A



EX.8524496, EP.L.5254
FRONT BRAKE HOSE

FIG.537A



EX.8524496, EP.L.5254
FRONT MASTER CYLINDER

FIG.541A

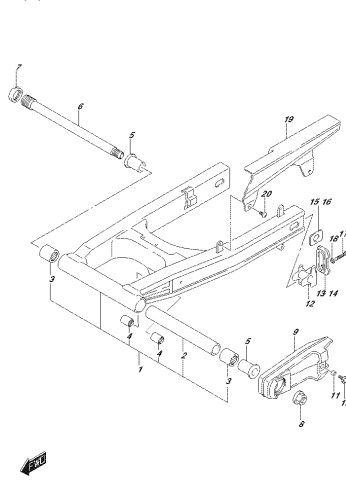
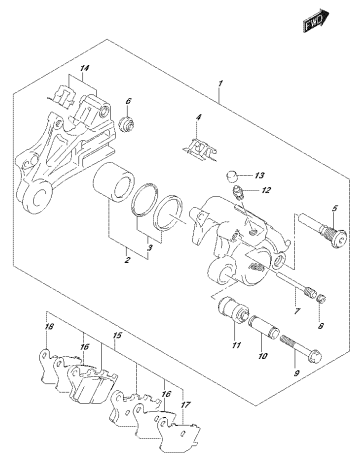
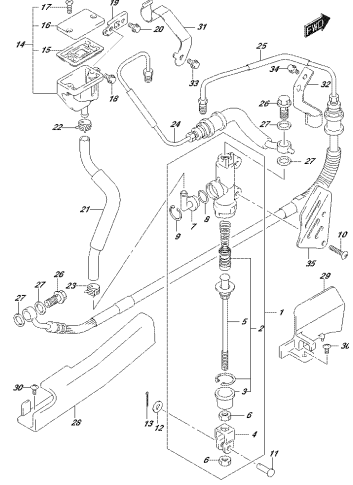


FIG. 555A



31.852149X EP L 555A
REAR AXLE PART

FIG. 558A

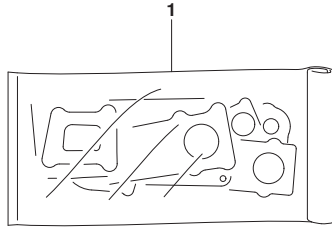


31.852149X EP L 558A
REAR AXLE PART CLIPROD

FIG.101A

FIG.101A (1-B-2) GASKET SET

REF NO.	PART NO.	DESCRIPTION	Q'TY	REMARKS
1	11403-44820	GASKET SET	1	OPT SEE NOTE 1
2	11141-20F00	.GASKET,CYLINDER HEAD	2	NOT ILLUSTRATED
3	11173-19F01	.GASKET,CYLINDER HEAD COVER	2	NOT ILLUSTRATED
4	11241-19F10	.GASKET,CYLINDER FR	1	NOT ILLUSTRATED
5	11242-19F00	.GASKET,CYLINDER RR	1	NOT ILLUSTRATED
6	11482-44H00	.GASKET,CLUTCH COVER	1	NOT ILLUSTRATED
7	11483-19F00	.GASKET,MAGNETO COVER	1	NOT ILLUSTRATED
8	12837-27G10	.GASKET,TENSIONER ADJUSTER	2	NOT ILLUSTRATED
9	14181-22D01	.GASKET,EXHAUST PIPE	2	NOT ILLUSTRATED
10	11191-27E00	.WASHER,CYL HEAD COVER (10.6X2 5.5X1.6)	4	NOT ILLUSTRATED



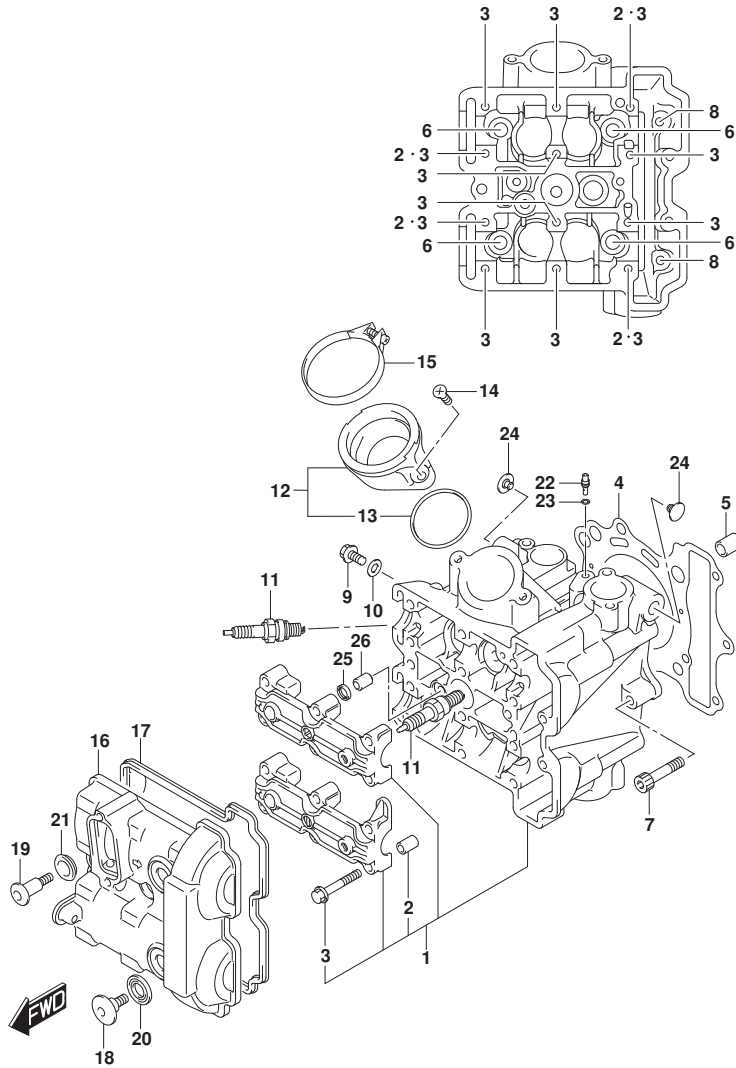
NOTE 1:

COMPONENT PARTS FOR GASKET SET

- GASKET,CYLINDER HEAD 2PCS
- GASKET,CYLINDER HEAD COVER 2PCS
- GASKET,CYLINDER FR 1PCS
- GASKET,CYLINDER RR 1PCS
- GASKET,CLUTCH COVER 1PCS
- GASKET,MAGNETO COVER 1PCS
- GASKET,TENSIONER ADJUSTER 2PCS
- GASKET,EXHAUST PIPE 2PCS
- WASHER,CYL HEAD COVER 4PCS

FIG.104A

FIG.104A (1-B-3) CYLINDER HEAD (FRONT)



REF NO.	PART NO.	DESCRIPTION	Q'TY	REMARKS
1	11101-18K00	HEAD ASSY,CYLINDER FRONT	1	
2	09206-08001	.PIN (8X11)	4	
3	09103-06266	.BOLT (6X40)	12	
4	11141-20F00	GASKET,CYLINDER HEAD	1	
5	04211-13189	PIN (10.4X13X18)	2	
6	11117-44H00	BOLT,CYL HEAD (L:160)	4	
7	07120-0640A	BOLT	1	
8	09103-06103	BOLT (6X70)	2	
9	01550-0612A	BOLT	1	
10	09168-06023	GASKET (5.8X13X1.2)	1	
11	09482-00646	PLUG,SPARK (MR8E-9)	2	NGK
12	13101-17G11	PIPE ASSY,INTAKE FRONT	1	
13	09280-46007	.O-RING (D:2.4,ID:47X42)	1	
14	02122-0616B	SCREW	2	
15	13827-40H01	CLAMP,INTAKE PIPE	1	
16	11171-18K00	COVER,CYLINDER HEAD FR	1	
17	11173-19F01	GASKET,CYLINDER HEAD COVER	1	
18	09106-07021	BOLT (7X17.5)	2	
19	09106-07010	BOLT (7X31)	1	
20	11191-27E00	WASHER,CYL HEAD COVER (10.6X25.5X1.6)	2	
21	11192-13E00	CUSHION,HEAD COVER BOLT	1	
22	09493-80005	JET (#8)	1	
23	09280-04004	O-RING (D:1.2,ID:4)	1	
24	11151-27G01	CAP,ENGINE MOUNTING RR RH	2	
25	11182-35F10	GASKET,2ND AIR PASSAGE	1	
26	09206-10016	PIN (8.2X10X13)	1	

FIG.105A

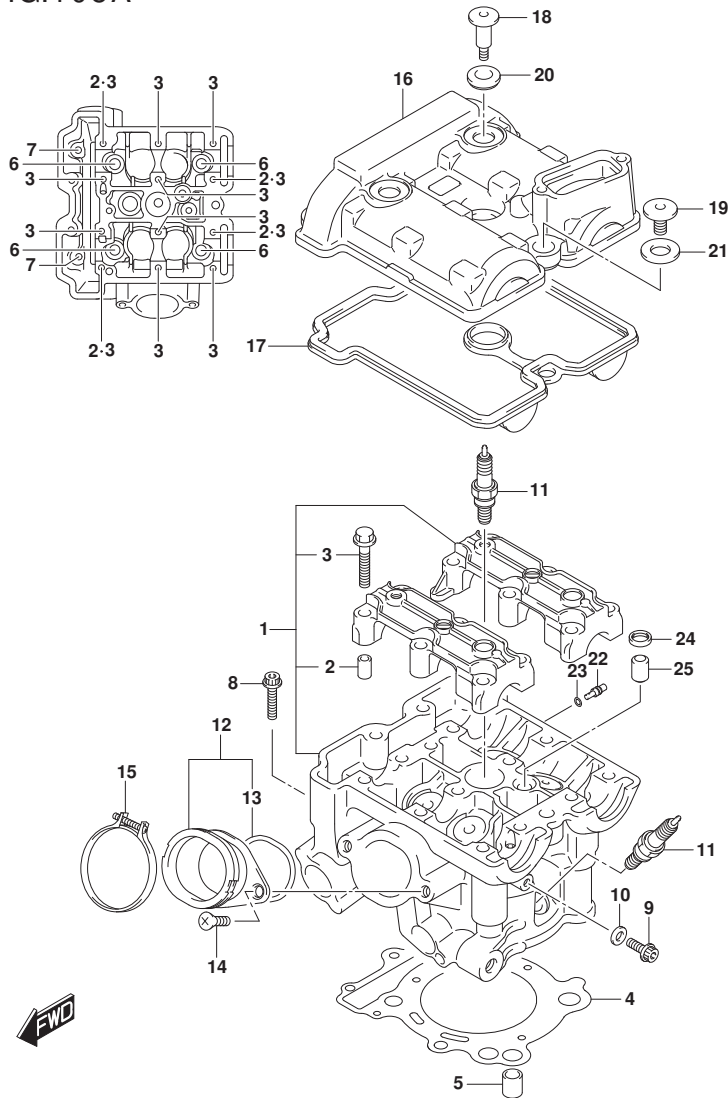


FIG.105A (1-B-4) CYLINDER HEAD (REAR)

REF NO.	PART NO.	DESCRIPTION	Q'TY	REMARKS
1	11103-18K00	HEAD ASSY,CYLINDER REAR	1	
2	09206-08001	.PIN (8X11)	4	
3	09103-06266	.BOLT (6X40)	12	
4	11141-20F00	GASKET,CYLINDER HEAD	1	
5	04211-13189	PIN (10.4X13X18)	2	
6	11117-44H00	BOLT,CYL HEAD (L:160)	4	
7	09103-06103	BOLT (6X70)	2	
8	07120-0640A	BOLT	1	
9	01550-0612A	BOLT	1	
10	09168-06023	GASKET (5.8X13X1.2)	1	
11	09482-00646	PLUG,SPARK (MR8E-9)	2	NGK
12	13102-17G11	PIPE ASSY,INTAKE REAR	1	
13	09280-46007	.O-RING (D:2.4,ID:47X42)	1	
14	02122-0616B	SCREW	2	
15	13827-40H01	CLAMP,INTAKE PIPE	1	
16	11172-18K00	COVER,CYLINDER HEAD RR	1	
17	11173-19F01	GASKET,CYLINDER HEAD COVER	1	
18	09106-07021	BOLT (7X17.5)	2	
19	09106-07010	BOLT (7X31)	1	
20	11191-27E00	WASHER,CYL HEAD COVER (10.6X25.5X1.6)	2	
21	11192-13E00	CUSHION,HEAD COVER BOLT	1	
22	09493-80005	JET (#8)	1	
23	09280-04004	O-RING (D:1.2,ID:4)	1	
24	11182-35F10	GASKET,2ND AIR PASSAGE	1	
25	09206-10016	PIN (8.2X10X13)	1	

FIG.107A

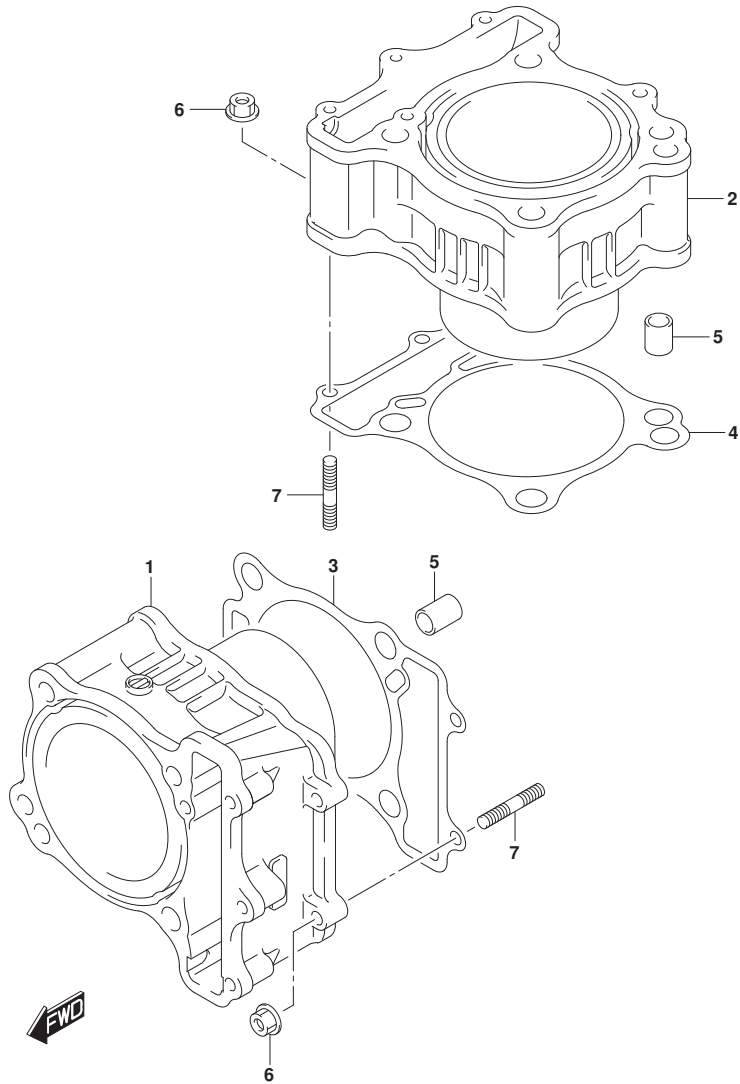


FIG.107A (1-B-5) CYLINDER

REF NO.	PART NO.	DESCRIPTION	Q'TY	REMARKS
1	11211-44H00-0F0	CYLINDER,FR	1	
2	11221-44H00-0F0	CYLINDER,RR	1	
3	11241-19F10	GASKET,CYLINDER FR	1	
4	11242-19F00	GASKET,CYLINDER RR	1	
5	04211-13189	PIN (10.4X13X18)	4	
6	08316-1006A	NUT (6X12)	4	
7	01421-0625A	BOLT,STUD	4	

FIG.108A

FIG.108A (1-B-6) CRANKCASE

REF NO.	PART NO.	DESCRIPTION	Q'TY	REMARKS
1	11301-27890	CRANKCASE SET	1	
2	09206-11007	.PIN (8.4X11X20)	2	
3	01547-0650A	.BOLT	9	
4	07120-0855A	.BOLT	3	
5	07120-0880A	.BOLT	4	
6	09493-28010	JET (14)	2	
7	09280-04004	O-RING (D:1.2,ID:4)	2	
8	09493-36004	JET (18)	1	
9	09280-04004	O-RING (D:1.2,ID:4)	1	
10	09280-13007	O-RING (D:1.9,ID:12.5)	1	
11	09280-15007	O-RING (D:2.4,ID:15.8)	1	
12	09247-12011	PLUG (12X20)	1	OIL DRAIN
13	09168-12002	GASKET (12.1X16.2X3.7)	1	
14	16438-19F00	PLATE,PISTON COOLING JET	2	
15	09106-06075	BOLT (6X12)	2	
16	09280-04004	O-RING (D:1.2,ID:4)	2	
17	09493-26007	JET (13)	2	
18	01550-0812A	BOLT (8X12)	3	
19	09168-08016	GASKET (8.2X14X1)	3	
20	09248-16012	PLUG (16X8)	1	
21	09168-16002	GASKET (16X22X2)	1	
22	11323-19F00	PLATE,OIL SEPARATOR	1	
23	01547-0612A	BOLT	2	
24	01547-0610A	BOLT	2	
25	09168-06023	GASKET (5.8X13X1.2)	2	
26	09247-12006	PLUG (12X10)	1	
27	09168-12002	GASKET (12.1X16.2X3.7)	1	
28	09103-10205	BOLT (10X225)	1	
29	09103-10347	BOLT (10X275)	1	
30	09103-12054	BOLT (12X310)	1	
31	09159-12056	NUT	1	
32	08319-3110A	NUT	1	
33	37820-33D11	SWITCH ASSY,OIL PRESSURE	1	
34	37822-33D00	.BOLT,OIL PRESSURE SWITCH	1	
35	09404-06429	CLAMP (L:45)	1	

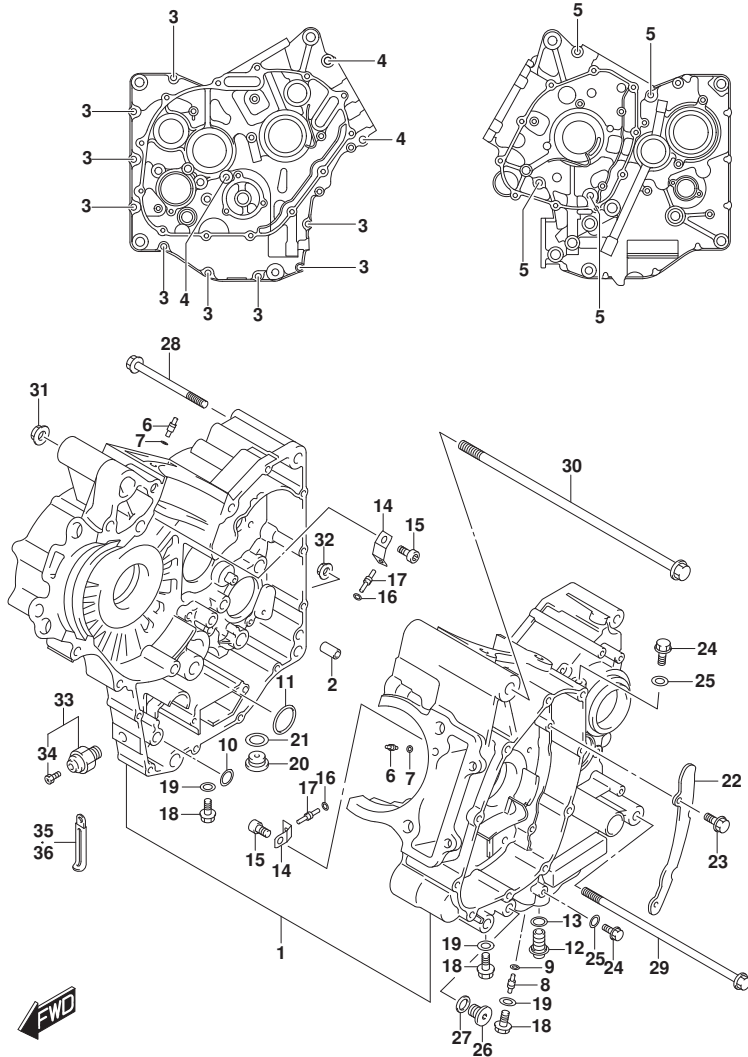


FIG.108A

FIG.108A (1-B-7) CRANKCASE

REF NO.	PART NO.	DESCRIPTION	Q'TY	REMARKS
36	09404-06030	CLAMP (L.80)	1	

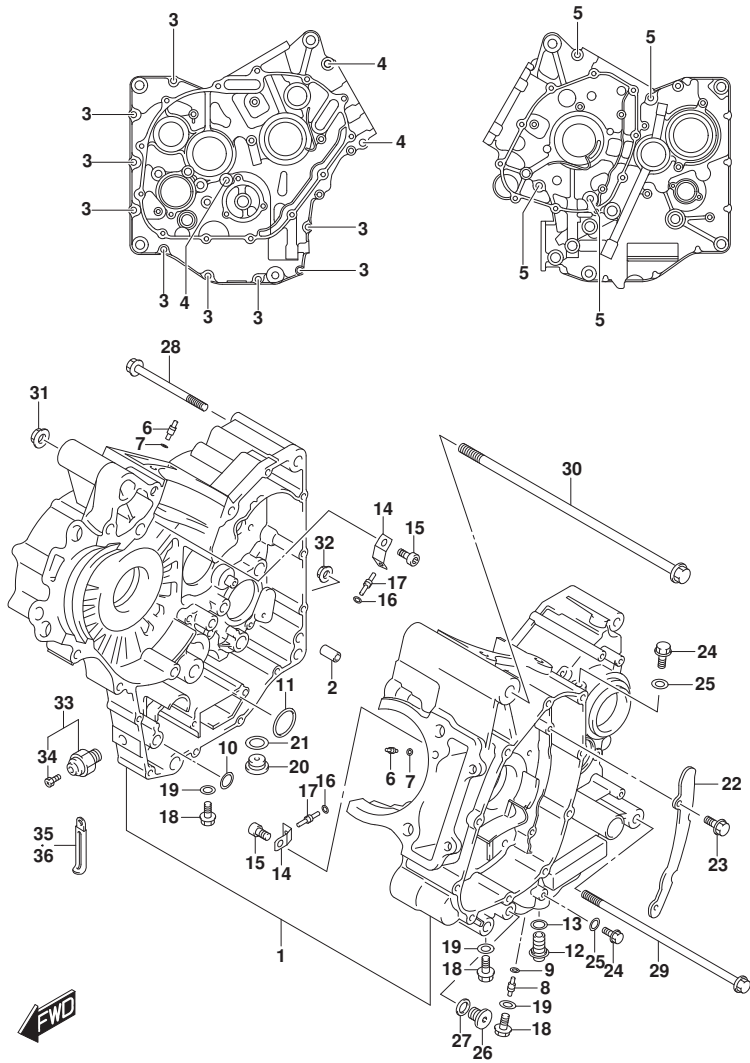


FIG.112A

FIG.112A (1-B-8) CRANKCASE COVER

REF NO.	PART NO.	DESCRIPTION	Q'TY	REMARKS
1	11340-18K10	COVER,CLUTCH	1	
2	11971-33210	.LENS,OIL LEVEL CHECK	1	
3	08331-4130A	.CIRCLIP	1	
4	11482-44H00	GASKET,CLUTCH COVER	1	
5	04211-09149	PIN (8.5X18X2.3)	2	
6	09103-06530	BOLT (L:35)	11	
7	11971-25D00	PLUG,ENGINE OIL FILLER	1	
8	09280-17003	O-RING (D:3.1,ID:16.8)	1	
9	11343-44H01	SEPARATOR,OIL	1	
10	09106-06098	BOLT (6X12)	4	
11	11361-28K00	COVER,ENG SPROCKET	1	
12	09139-06028	SCREW (6X20)	3	
13	09169-06062	WASHER (6.3X17X1.6)	3	
14	09320-09016	CUSHION (9X18X9.5)	3	
15	11351-44H20	COVER,MAGNETO	1	
16	11483-19F00	GASKET,MAGNETO COVER	1	
17	04211-09149	PIN (8.5X18X2.3)	2	
18	09103-06530	BOLT (L:35)	8	
19	09103-06536	BOLT (L:65)	2	
20	09168-06023	GASKET (5.8X13X1.2)	2	
21	09259-26011	PLUG (26X9)	1	
22	09280-22008	O-RING (D:3.1,ID:22.7)	1	
23	09248-16012	PLUG (16X8)	1	
24	09168-16002	GASKET (16X22X2)	1	

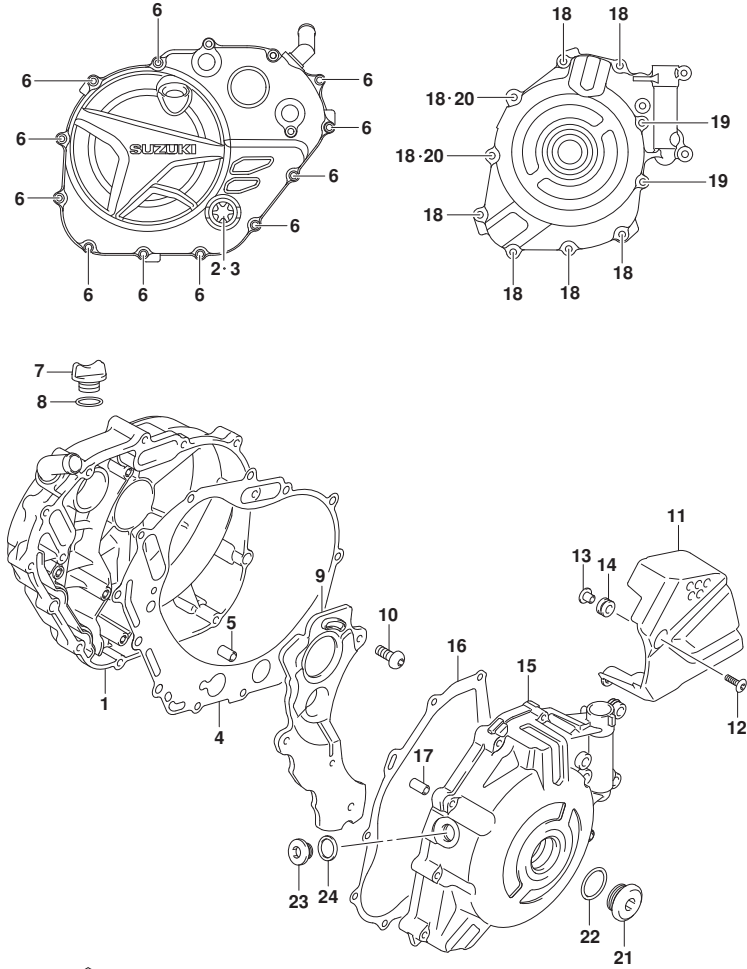


FIG.120A

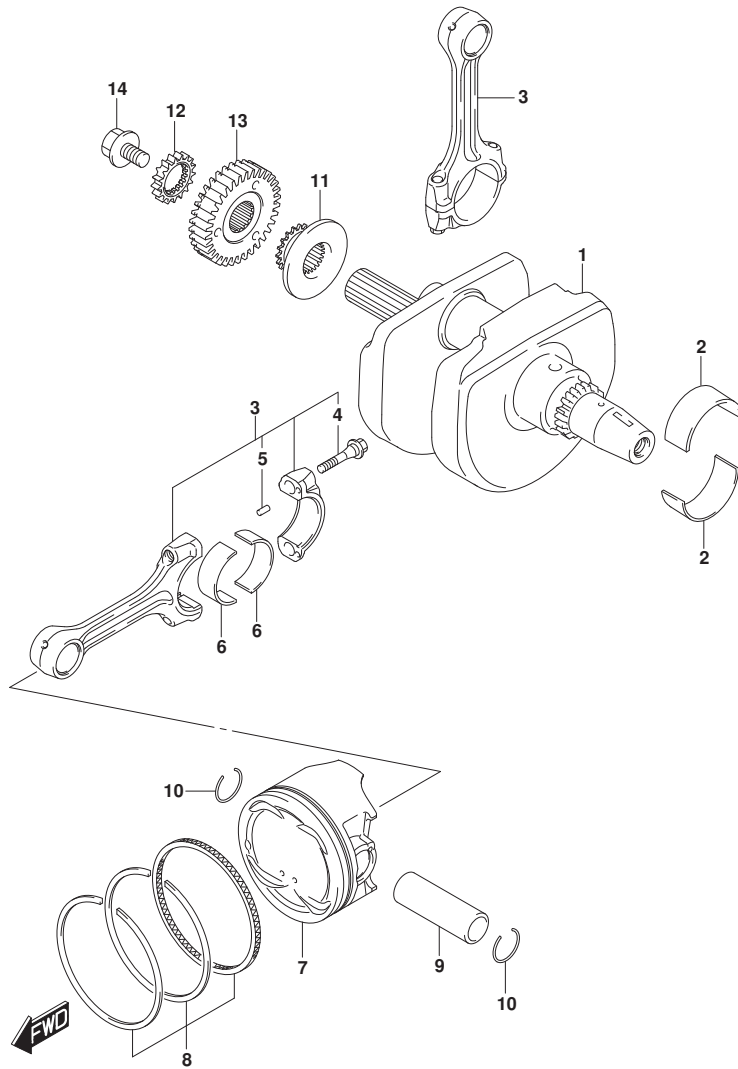


FIG.120A (1-B-9) CRANKSHAFT

REF NO.	PART NO.	DESCRIPTION	Q'TY	REMARKS
1	12220-44H20	CRANKSHAFT	1	
2-1	12229-44H10-0A0	BEARING,CRANKSHAFT (GREEN)	4	GREEN
2-2	12229-44H10-0B0	BEARING,CRANKSHAFT (BLACK)	4	BLACK
2-3	12229-44H10-0C0	BEARING,CRANKSHAFT (BROWN)	4	BROWN
3	12160-17G20	CONNROD ASSY	2	
4	12163-24F10	.BOLT,CONNECTING ROD	4	
5	04221-04089	.PIN (4X13.8)	4	
6-1	12164-46E10-0A0	BEARING,CRANK PIN (GREEN)	4	GREEN
6-2	12164-46E10-0B0	BEARING,CRANK PIN (BLACK)	4	BLACK
6-3	12164-46E10-0C0	BEARING,CRANK PIN (BROWN)	4	BROWN
6-4	12164-46E10-0D0	BEARING,CRANK PIN (YELLOW)	4	YELLOW
7	12111-18K01-0F0	PISTON	2	
8	12140-10L00	RING SET,PISTON	2	
9	12151-05A10	PIN,PISTON	2	
10	09381-20004	CIRCLIP	4	
11	12731-19F00	SPROCKET,CAM CHAIN DRIVE (NT:1	1	
		8)		
12	17451-17G00	GEAR,WATER PUMP DRIVE (NT:17)	1	
13	21100-44H00	GEAR ASSY,PRIMARY DRIVE (NT:34	1	
)		
14	09103-10338	BOLT (10X19)	1	

FIG.122A

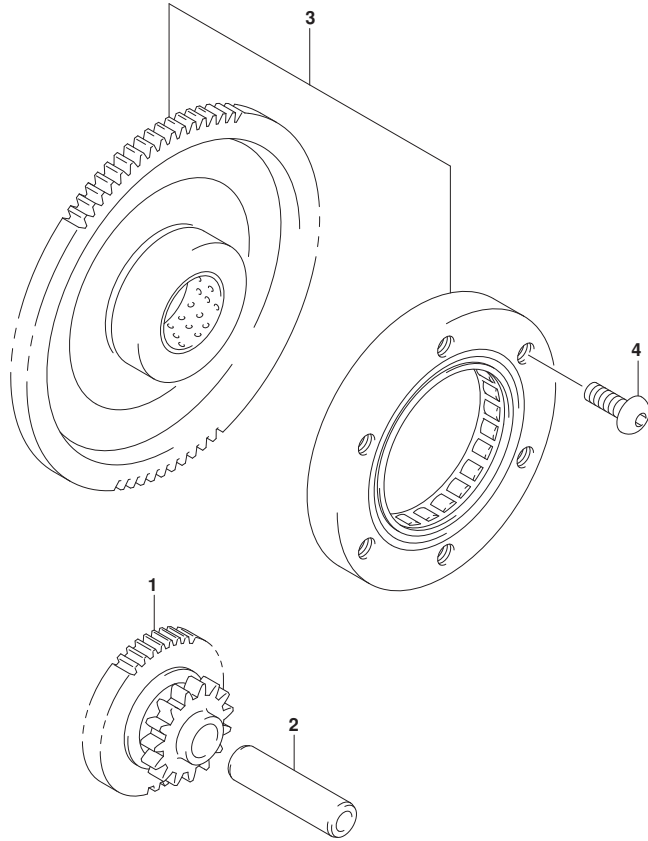


FIG.122A (1-B-10) STARTER CLUTCH

REF NO.	PART NO.	DESCRIPTION	Q'TY	REMARKS
1	12611-27G00	GEAR,STARTER IDLE (NT:15/53)	1	
2	09206-12006	PIN (8X12X45.5)	1	
3	12600-06821	CLUTCH SET,STARTER (NT:70)	1	
4	09139-08023	SCREW (8X16)	6	



FIG.126A

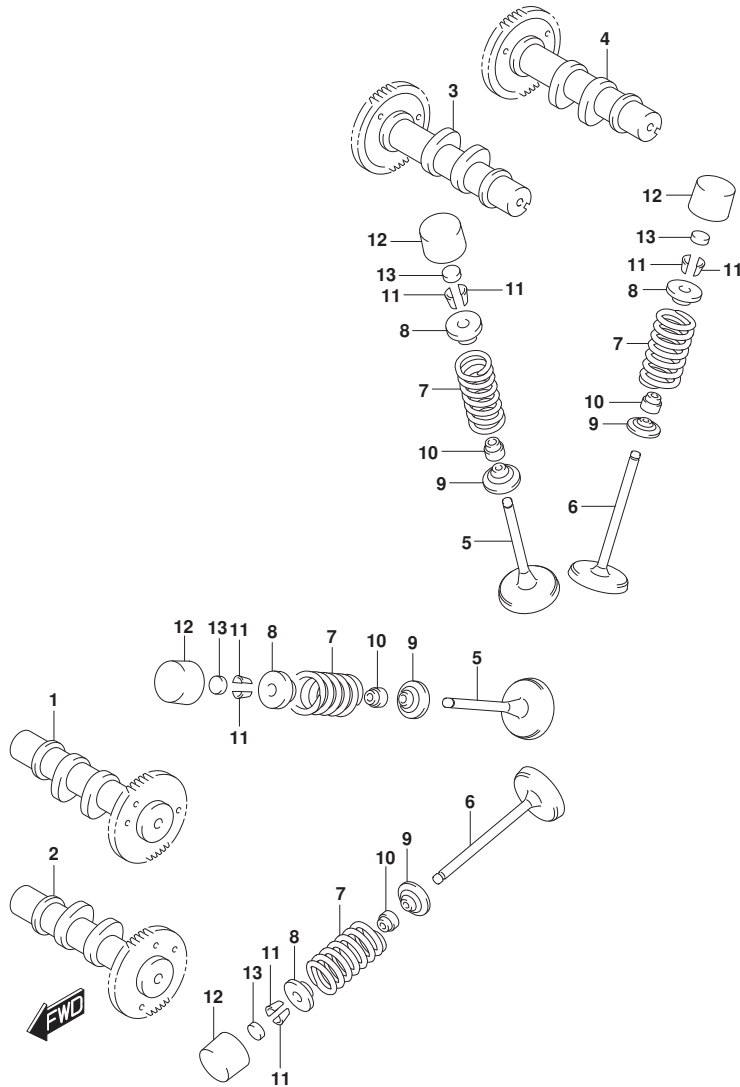


FIG.126A (1-B-11) CAMSHAFT/VALVE

REF NO.	PART NO.	DESCRIPTION	Q'TY	REMARKS
1	12710-11J00	CAMSHAFT,INTAKE FR (NT:36)	1	
2	12720-44H00	CAMSHAFT,EXHAUST FR (NT:36)	1	
3	12730-11J00	CAMSHAFT,INTAKE RR (NT:36)	1	
4	12740-44H00	CAMSHAFT,EXHAUST RR (NT:36)	1	
5	12911-18H00	VALVE,INTAKE	4	
6	12912-20F00	VALVE,EXHAUST	4	
7	12921-44H00	SPRING,VALVE	8	
8	12931-17E01	RETAINER,VALVE SPRING	8	
9	12933-17E00	SEAT,VALVE SPRING	8	
10	09289-04002	SEAL,OIL (4.5X10X8)	8	
11	12932-32C00	COTTER,VALVE	16	
12	12891-47H00	TAPPET	8	
13-1	12892-05C00-120	SHIM,TAPPET (T:1.20)	8	
13-2	12892-05C00-125	SHIM,TAPPET (T:1.25)	8	
13-3	12892-05C00-130	SHIM,TAPPET (T:1.30)	8	
13-4	12892-05C00-135	SHIM,TAPPET (T:1.35)	8	
13-5	12892-05C00-140	SHIM,TAPPET (T:1.40)	8	
13-6	12892-05C00-145	SHIM,TAPPET (T:1.45)	8	
13-7	12892-05C00-150	SHIM,TAPPET (T:1.50)	8	
13-8	12892-05C00-155	SHIM,TAPPET (T:1.55)	8	
13-9	12892-05C00-160	SHIM,TAPPET (T:1.60)	8	
13-10	12892-05C00-165	SHIM,TAPPET (T:1.65)	8	
13-11	12892-05C00-170	SHIM,TAPPET (T:1.70)	8	
13-12	12892-05C00-175	SHIM,TAPPET (T:1.75)	8	
13-13	12892-05C00-180	SHIM,TAPPET (T:1.80)	8	
13-14	12892-05C00-185	SHIM,TAPPET (T:1.85)	8	
13-15	12892-05C00-190	SHIM,TAPPET (T:1.90)	8	
13-16	12892-05C00-195	SHIM,TAPPET (T:1.95)	8	
13-17	12892-05C00-200	SHIM,TAPPET (T:2.00)	8	
13-18	12892-05C00-205	SHIM,TAPPET (T:2.05)	8	
13-19	12892-05C00-210	SHIM,TAPPET (T:2.10)	8	
13-20	12892-05C00-215	SHIM,TAPPET (T:2.15)	8	
13-21	12892-05C00-220	SHIM,TAPPET (T:2.20)	8	
14	12800-05830	SHIM SET,TAPPET (5PCS.EACH)	1	OPT,NOT ILLUSTRATED SEE NOTE 1

FIG.126A

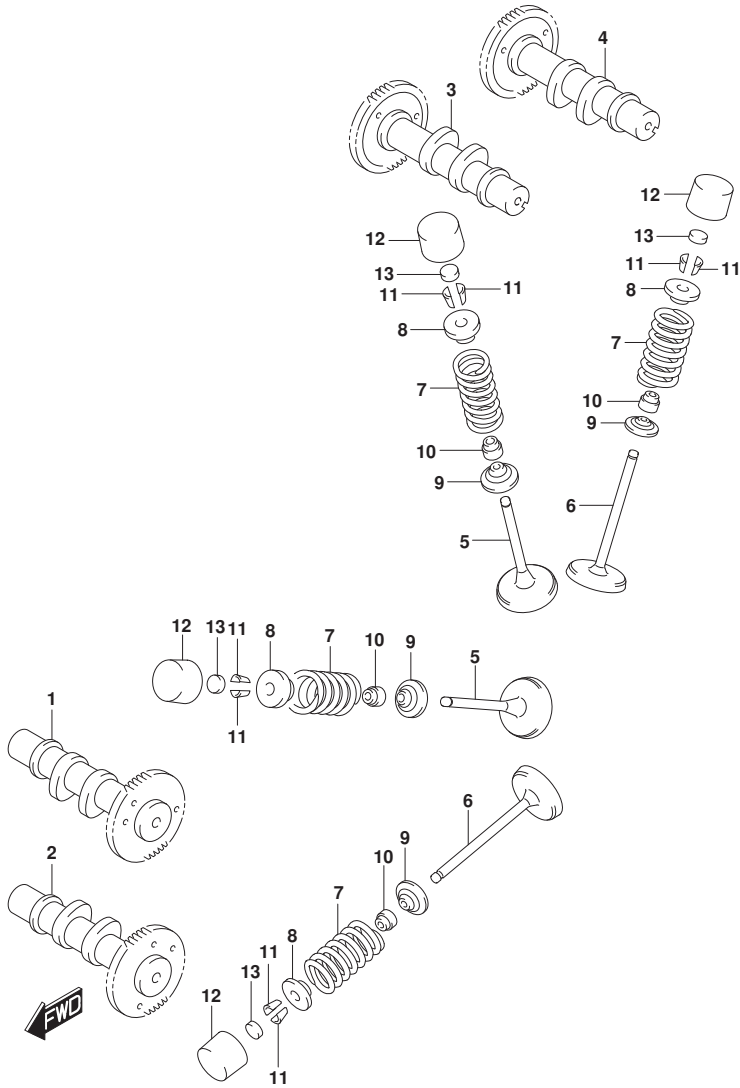


FIG.126A (1-B-12) CAMSHAFT/VALVE

REF NO.	PART NO.	DESCRIPTION	Q'TY	REMARKS
15	99000-69491	.CASE,TAPPET SHIM	1	OPT,NOT ILLUSTRATED

NOTE 1:

12800-05830 SHIM SET, TAPPET 1PCS OPT

COMPONENT PARTS FOR SHIM SET, TAPPET

99000-69491	CASE, TAPPET SHIM	1PCS	OPT
SHIM,TAPPET (T:1.20)	5PCS	OPT	
SHIM,TAPPET (T:1.25)	5PCS	OPT	
SHIM,TAPPET (T:1.30)	5PCS	OPT	
SHIM,TAPPET (T:1.35)	5PCS	OPT	
SHIM,TAPPET (T:1.40)	5PCS	OPT	
SHIM,TAPPET (T:1.45)	5PCS	OPT	
SHIM,TAPPET (T:1.50)	5PCS	OPT	
SHIM,TAPPET (T:1.55)	5PCS	OPT	
SHIM,TAPPET (T:1.60)	5PCS	OPT	
SHIM,TAPPET (T:1.65)	5PCS	OPT	
SHIM,TAPPET (T:1.70)	5PCS	OPT	
SHIM,TAPPET (T:1.75)	5PCS	OPT	
SHIM,TAPPET (T:1.80)	5PCS	OPT	

FIG.126A

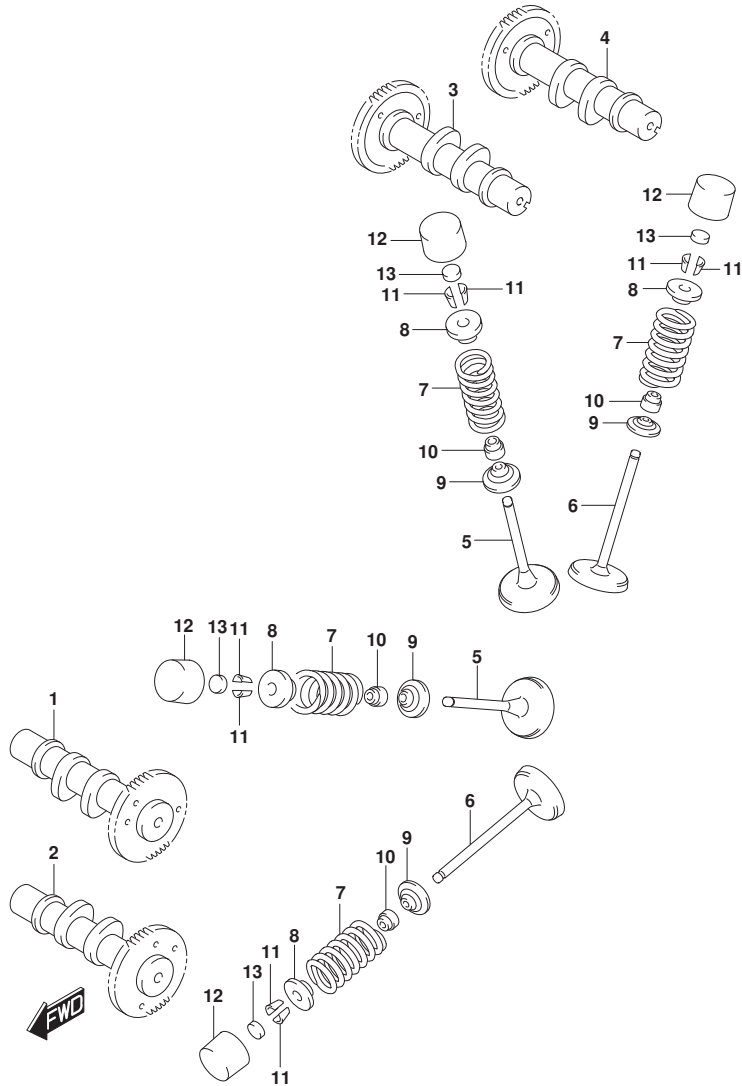


FIG.126A (1-B-13) CAMSHAFT/VALVE

REF NO.	PART NO.	DESCRIPTION	Q'TY	REMARKS
		SHIM,TAPPET (T:1.85)	5PCS	OPT
		SHIM,TAPPET (T:1.90)	5PCS	OPT
		SHIM,TAPPET (T:1.95)	5PCS	OPT
		SHIM,TAPPET (T:2.00)	5PCS	OPT
		SHIM,TAPPET (T:2.05)	5PCS	OPT
		SHIM,TAPPET (T:2.10)	5PCS	OPT
		SHIM,TAPPET (T:2.15)	5PCS	OPT
		SHIM,TAPPET (T:2.20)	5PCS	OPT
		SHIM,TAPPET (T:2.25)	5PCS	OPT
		SHIM,TAPPET (T:2.30)	5PCS	OPT
		SHIM,TAPPET (T:2.35)	5PCS	OPT
		SHIM,TAPPET (T:2.40)	5PCS	OPT
		SHIM,TAPPET (T:2.45)	5PCS	OPT
		SHIM,TAPPET (T:2.50)	5PCS	OPT
		SHIM,TAPPET (T:2.55)	5PCS	OPT
		SHIM,TAPPET (T:2.60)	5PCS	OPT
		SHIM,TAPPET (T:2.65)	5PCS	OPT

FIG.126A

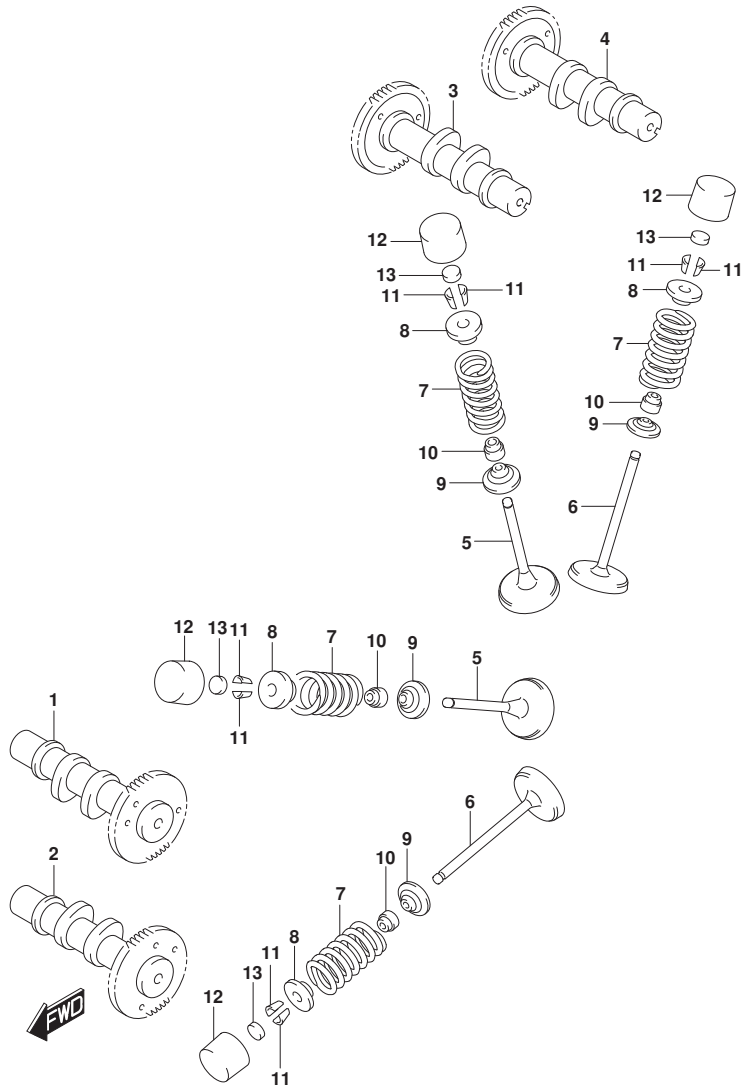


FIG.126A (1-B-14) CAMSHAFT/VALVE

REF NO.	PART NO.	DESCRIPTION	Q'TY	REMARKS
		SHIM,TAPPET (T:2.70)	5PCS	OPT
		SHIM,TAPPET (T:2.75)	5PCS	OPT
		SHIM,TAPPET (T:2.80)	5PCS	OPT
		SHIM,TAPPET (T:2.85)	5PCS	OPT
		SHIM,TAPPET (T:2.90)	5PCS	OPT
		SHIM,TAPPET (T:2.95)	5PCS	OPT
		SHIM,TAPPET (T:3.00)	5PCS	OPT

FIG.127A

FIG.127A (1-B-15) CAM CHAIN

REF NO.	PART NO.	DESCRIPTION	Q'TY	REMARKS
1	12760-19F01	CHAIN,CAMSHAFT DRIVE	2	
2	12771-44H01	GUIDE,CAM CHAIN NO.1	2	
3	12782-19F01	GUIDE,CAM CHAIN NO.2	2	
4	07130-0612A	BOLT	6	
5	12811-17G01	TENSIONER,CAM CHAIN	2	
6	12812-35C00	BOLT,CAM CHAIN TENSIONER	2	
7	08211-06181	WASHER	2	
8	12830-27G00	ADJUSTER ASSY,TENSIONER FR	1	
9	12837-24F10	.GASKET,TENSIONER ADJUSTER	1	
10	12831-39F00	.SPRING	1	
11	12830-27G10	ADJUSTER ASSY,TENSIONER RR	1	
12	12837-24F10	.GASKET,TENSIONER ADJUSTER	1	
13	12831-39F00	.SPRING	1	
14	12833-17G00	PLUG,TENSIONER ADJUSTER	2	
15	12837-27G10	GASKET,TENSIONER ADJUSTER	2	
16	07130-0625A	BOLT (6X25)	4	

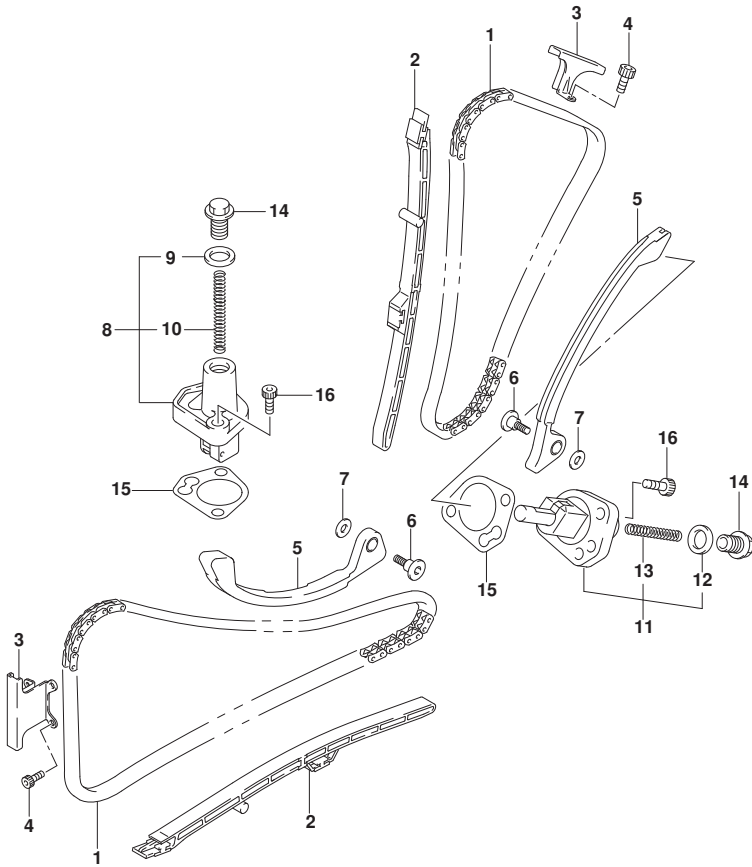


FIG.140A

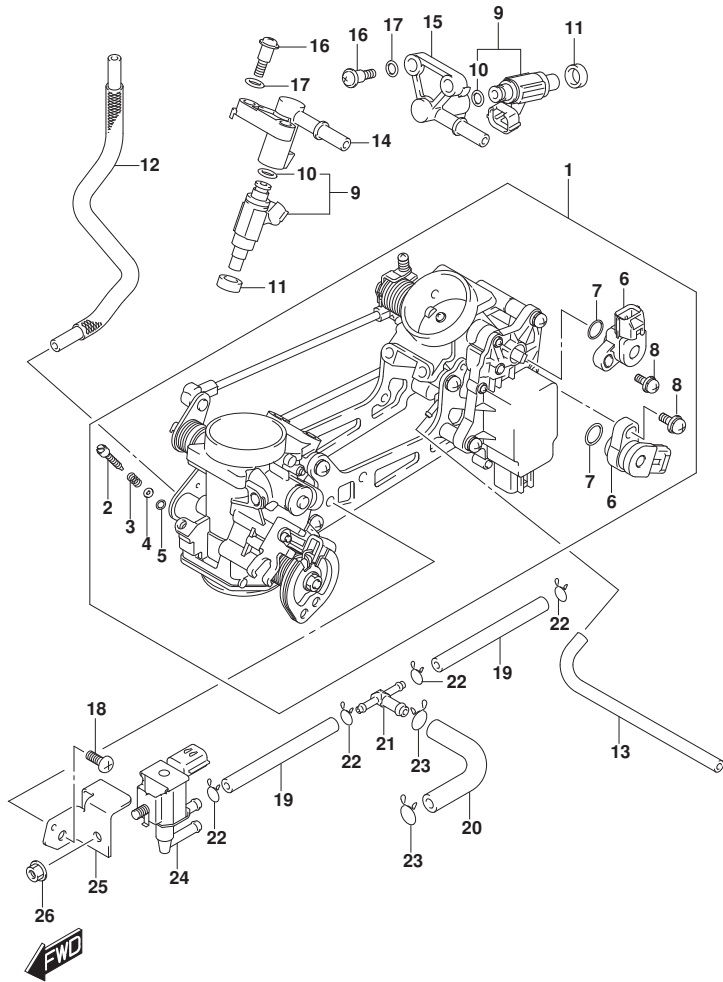


FIG.140A (1-B-16) THROTTLE BODY

REF NO.	PART NO.	DESCRIPTION	Q'TY	REMARKS
1	13405-28K21	BODY ASSY,THROTTLE	1	
2	13269-33E00	.SCREW	2	
3	13268-48700	.SPRING,THROTTLE SCREW	2	
4	13606-47A00	.WASHER	2	
5	13295-29901	.O-RING	2	
6	13580-27G21	.SENSOR	2	
7	13575-29G01	.O-RING	2	
8	13605-02F00	.SCREW	2	
9	15710-11J00	INJECTOR ASSY	2	
10	15717-58B00	.O-RING	2	
11	15722-29G00	SEAL	2	
12	13683-28K01	HOSE	1	
13	13683-44H11	HOSE	1	
14	15731-11J00	DELIVERY PIPE	1	
15	15732-11J00	DELIVERY PIPE	1	
16	13601-11J00	SCREW	4	
17	13602-29G01	PACKING	4	
18	13602-06128	SCREW	2	
19	13681-06G40	HOSE	2	
20	13683-44H30	HOSE	1	
21	13685-04F10	NIPPLE	1	
22	13671-12C00	CLIP	4	
23	09401-10410	CLIP	2	
24	18117-52G10	VALVE,CANISTER PURGE	1	
25	18119-44H00	BRACKET	1	
26	08316-1006A	NUT (6X12)	1	

FIG.155A

FIG.155A (1-C-2) AIR CLEANER

REF NO.	PART NO.	DESCRIPTION	Q'TY	REMARKS
1	13700-11J11	CLEANER ASSY,AIR	1	
2	13740-11J01	.CAP,AIR CLEANER	1	
3	13891-27G01	.TUBE,INLET	1	
4	13881-27G11	.TUBE,OUTLET A	1	
5	13882-27G11	.TUBE,OUTLET B	1	
6	13788-11J00	.FILTER,BREATHER	1	
7	13826-44H01	.CLAMP,OUTLET TUBE	2	
8	13780-27G10	.FILTER ASSY	1	
9	13746-06G00	.GASKET,AIR CLEANER	1	
10	03141-0516A	.SCREW	8	
11	13878-10G01	.PLUG	1	
12	09401-14301	.CLIP	1	
13	13850-11J00	TUBE,BREATHER	1	
14	09401-20405	CLIP	2	
15	13650-41F10	SENSOR,AIR TEMP	1	
16	13655-41F10	.O-RING	1	
17	03511-0516A	SCREW	1	
18	18590-18K00	SENSOR,BOOST	2	
19	18595-04K01	HOLDER,SENSOR	2	

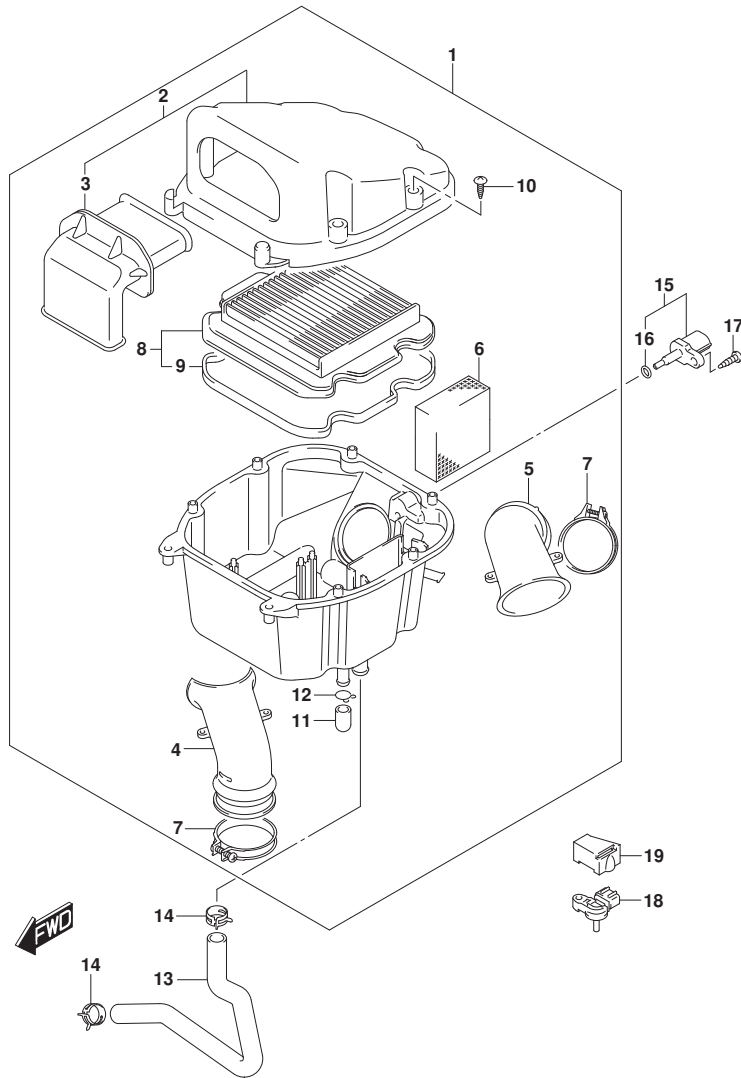


FIG.163A

FIG.163A (1-C-3) MUFFLER

REF NO.	PART NO.	DESCRIPTION	Q'TY	REMARKS
1	14150-27G10	PIPE,EXHAUST RR	1	
2	14160-17G10	PIPE,EXHAUST FR	1	
3	14181-22D01	GASKET,EXHAUST PIPE	2	
4	07130-0825A	BOLT	2	REAR
5	09106-08178	BOLT (8X25)	2	FRONT
6	14305-28K02-H01	MUFFLER	1	
7	14771-32E10	CONNECTOR,EXHAUST	2	
8	09103-08365	BOLT (8X35)	2	
9	09116-08133	BOLT (8X40)	1	
10	09180-08152	SPACER (8.6X12X24.2)	1	
11	09320-12048	CUSHION (12X30X24)	1	
12	09106-08164	BOLT (8X45)	1	
13	09160-08140	WASHER (8.5X33X1.6)	1	
14	09180-08156	SPACER (8.6X12X25.5)	1	
15	09320-12049	CUSHION	1	
16	08316-1008A	NUT	1	
17	14780-28K00	COVER,MUF	1	
18	09139-06124	SCREW (6X12)	2	
19	09320-08066	CUSHION (8.4X18X6)	2	
20	14795-10FA0	GROMMET	1	
21	09320-04011	CUSHION	1	
22	18213-17KT0	SENSOR,OXYGEN	1	
23	09407-14407	CLAMP (L:145)	1	
24	14784-28K00	SHIELD,MUF COVER RR	1	

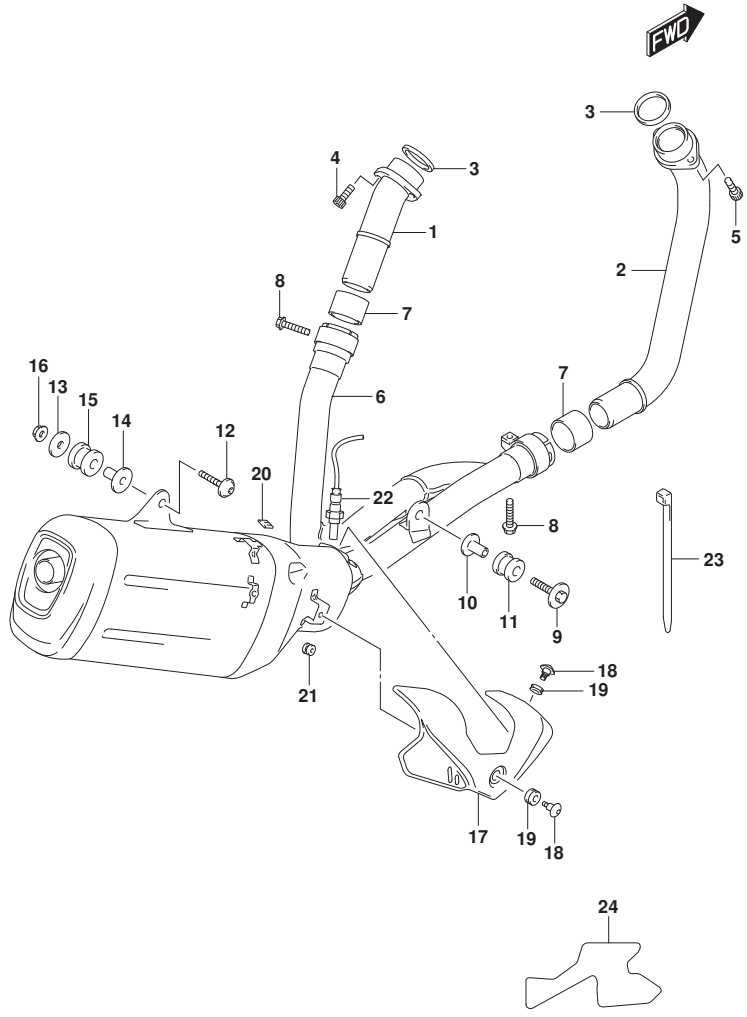


FIG.170A

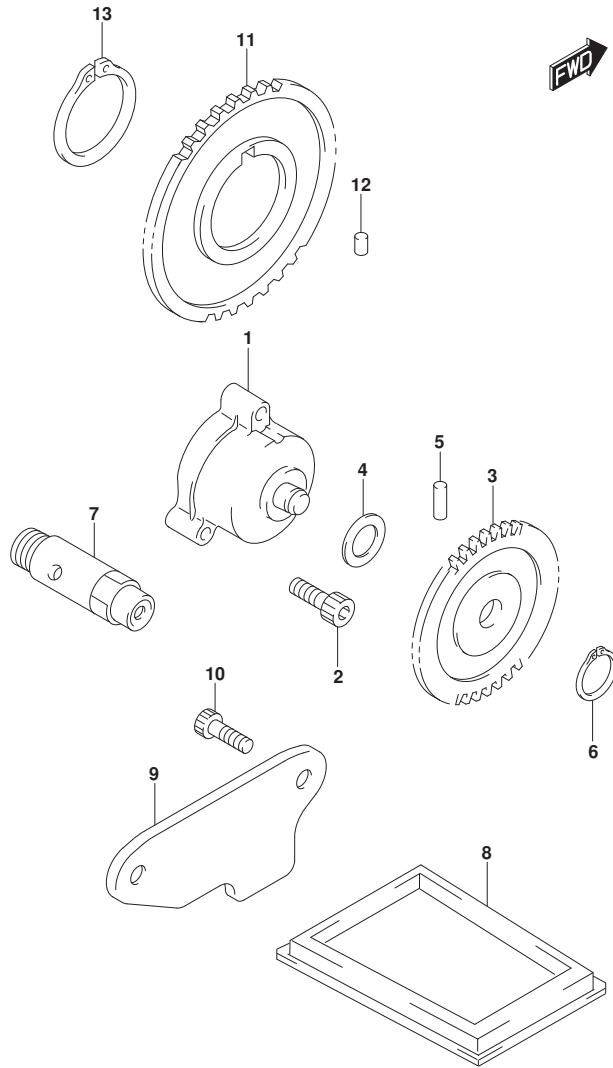


FIG.170A (1-C-4) OIL PUMP

REF NO.	PART NO.	DESCRIPTION	Q'TY	REMARKS
1	16400-20F00	PUMP ASSY,ENG OIL	1	
2	07130-0625A	BOLT (6X25)	3	
3	16331-19F00	GEAR,ENG OIL PUMP DRIVEN (NT:3 4)	1	
4	09181-10158	SHIM (10X18X0.5)	1	
5	09261-04001	PIN (4X18.5)	1	
6	08331-31109	CIRCLIP	1	
7	16440-17C20	VALVE ASSY,OIL RELIEF	1	
8	16520-32E01	STRAINER,ENG OIL	1	
9	16523-17G00	CAP,OIL STRAINER	1	
10	07130-0612A	BOLT	2	
11	16321-19F00	GEAR,ENG OIL PUMP DRIVE (NT:45)	1	
12	09261-06002	PIN (6X6)	1	
13	08331-31383	CLIP	1	

FIG.172A

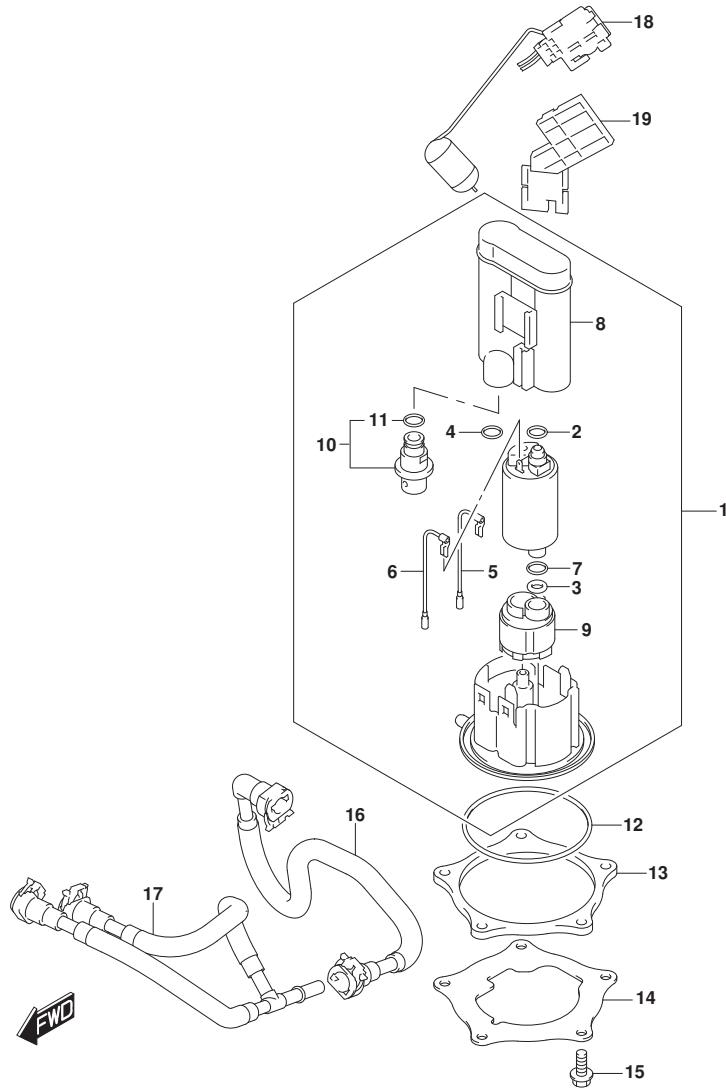


FIG.172A (1-C-5) FUEL PUMP

REF NO.	PART NO.	DESCRIPTION	Q'TY	REMARKS
1	15100-28K00	PUMP ASSY,FUEL	1	
2	15113-05H00	.O-RING	1	
3	15113-17K00	.O-RING	1	
4	15113-35F00	.O-RING	1	
5	15114-17K00	.WIRE,EARTH	1	BLACK
6	15115-17K00	.WIRE,LEAD	1	BLUE
7	15116-17K00	.COLLAR	1	
8	15310-17K00	.FILTER	1	
9	15420-17K00	.STRAINER	1	
10	15610-17K00	.REGULATOR	1	
11	15113-48H00	..O-RING	1	
12	15201-07L00	O-RING,FUEL PUMP	1	
13	15122-17K00	PLATE,FUEL PUMP INNER	1	
14	15121-28K00	PLATE,FUEL PUMP OUTER	1	
15	07120-0616A	BOLT	5	
16	15810-28K00	HOSE,FUEL NO.1	1	
17	15820-28K00	HOSE,FUEL NO.2	1	
18	34810-28K00	GAUGE ASSY,FUEL LEVEL SENDER	1	
19	34815-28K00	ATTACHMENT,FUEL LEVEL GAUGE	1	

FIG.178A

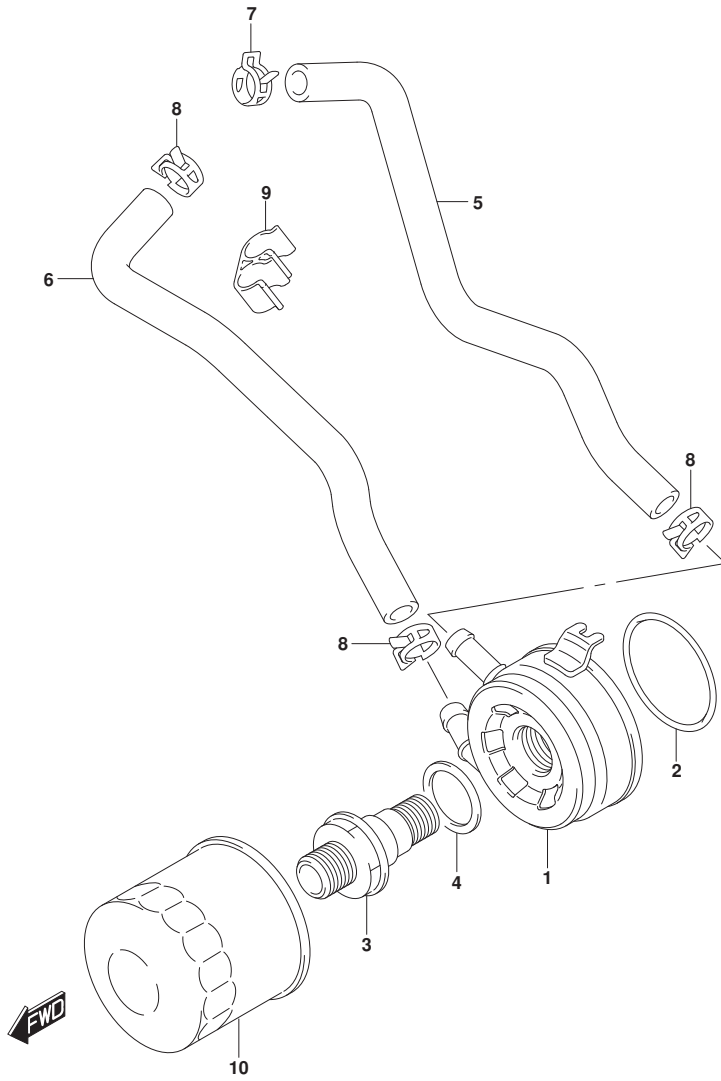


FIG.178A (1-C-6) OIL COOLER

REF NO.	PART NO.	DESCRIPTION	Q'TY	REMARKS
1	16600-44H00	COOLER ASSY,OIL	1	
2	09280-55002	O-RING (D:3.1, ID:54.5)	1	
3	16591-02F00	BOLT,OIL COOLER UNION	1	
4	09181-25160	SHIM (25X34X0.7)	1	
5	16461-44H00	HOSE,OIL COOLER IN	1	
6	16471-44H00	HOSE,OIL COOLER OUT	1	
7	09401-16407	CLIP (ID:16.5)	1	
8	09401-16409	CLIP	3	
9	09408-00267	CLAMP	1	
10	16510-07J00	FILTER ASSY,ENGINE OIL (P1.0)	1	

FIG.180A

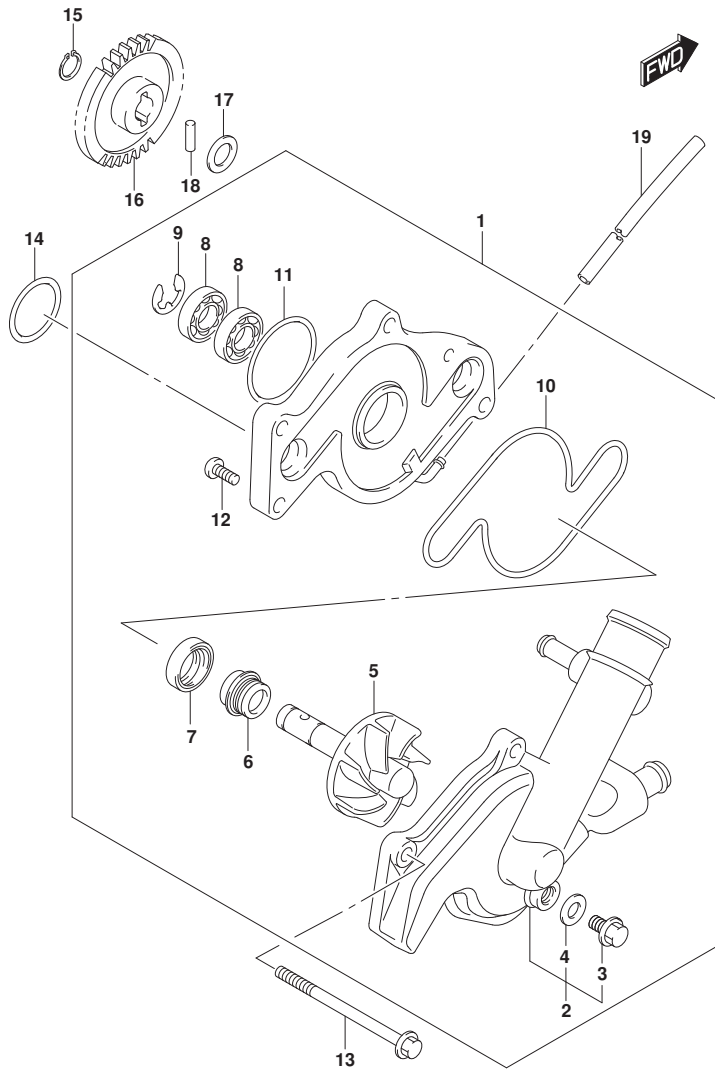


FIG.180A (1-C-7) WATER PUMP

REF NO.	PART NO.	DESCRIPTION	Q'TY	REMARKS
1	17400-44H01	PUMP ASSY,WATER	1	
2	17411-44H00	.CASE,WATER PUMP	1	
3	17415-20920	..BOLT,DRAIN	1	
4	09168-08008	..GASKET (8.2X14X1)	1	
5	17491-19F40	.IMPELLER/SHAFT	1	
6	17470-02F11	.SEAL,MECHANICAL	1	
7	17461-48G00	.SEAL,OIL (10X21X5)	1	
8	09262-10014	.BEARING (10X26X8)	2	
9	08332-1108A	.E-RING	1	
10	17418-19F00	.O-RING	1	
11	17435-33400	.O-RING	1	
12	02112-0510A	.SCREW	2	
13	09103-06537	BOLT (6X70)	3	
14	09280-22001	O-RING (D:2.4,ID:21.8)	2	
15	08331-31109	CIRCLIP	1	
16	17461-44H00	GEAR,WATER PUMP DRIVEN (NT:34)	1	
17	09181-10158	SHIM (10X18X0.5)	1	
18	09261-04002	ROLLER (4X13.8)	1	
19	09352-35654-320	HOSE (3.5X6.5X320)	1	

FIG.185A

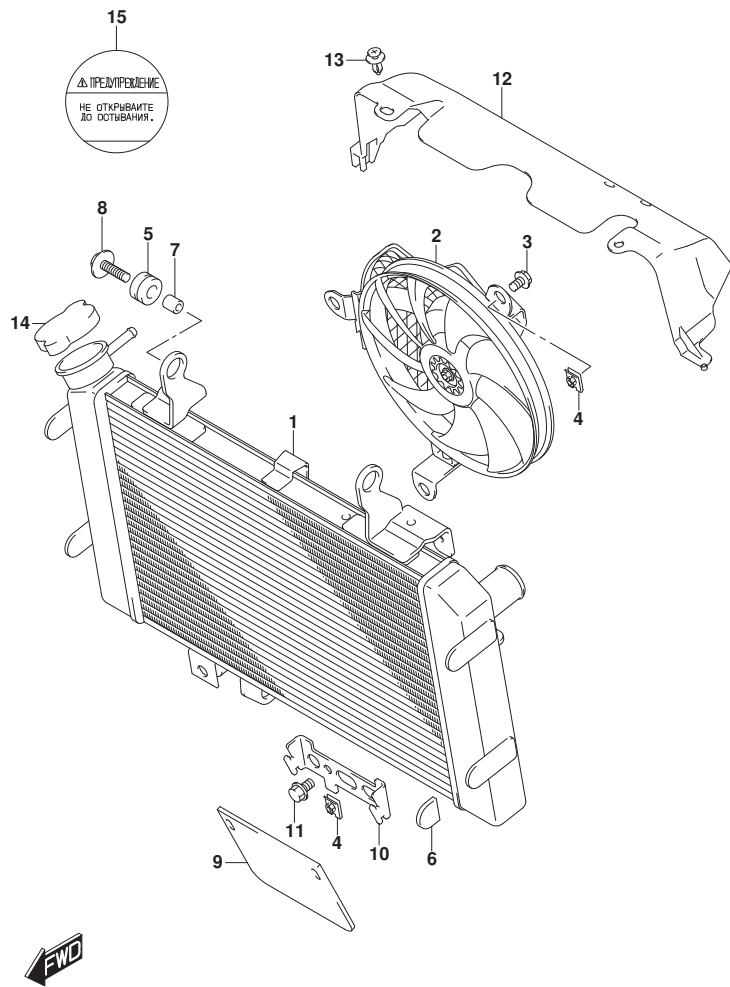


FIG.185A (1-C-8) RADIATOR

REF NO.	PART NO.	DESCRIPTION	Q'TY	REMARKS
1	17710-11J00	RADIATOR ASSY,WATER	1	
2	17800-11J00	FAN ASSY,RADIATOR	1	
3	17711-08J00	BOLT,FAN ASSY	3	
4	17712-40F00	NUT,FAN ASSY	3	
5	09320-10501	CUSHION (10X20X10)	3	
6	09329-18001	CUSHION	4	
7	09180-06310	SPACER (6.5X10X10)	2	
8	09118-06097	BOLT (6X25)	2	
9	17781-17G00	RUBBER,RADIATOR UNDER	1	
10	17741-17G00	BRACKET,RDTR UNDER RUBBER	1	
11	01550-0612A	BOLT	1	
12	17771-11J00	SHIELD,RADIATOR HEAT	1	
13	09409-06322-5PK	CLIP (5.9X20.5,BLACK)	2	
14	17730-08J00	CAP,RADIATOR (1.1)	1	
15	17995-14JP1	LABEL,RADIATOR CAP	1	

FIG.187A

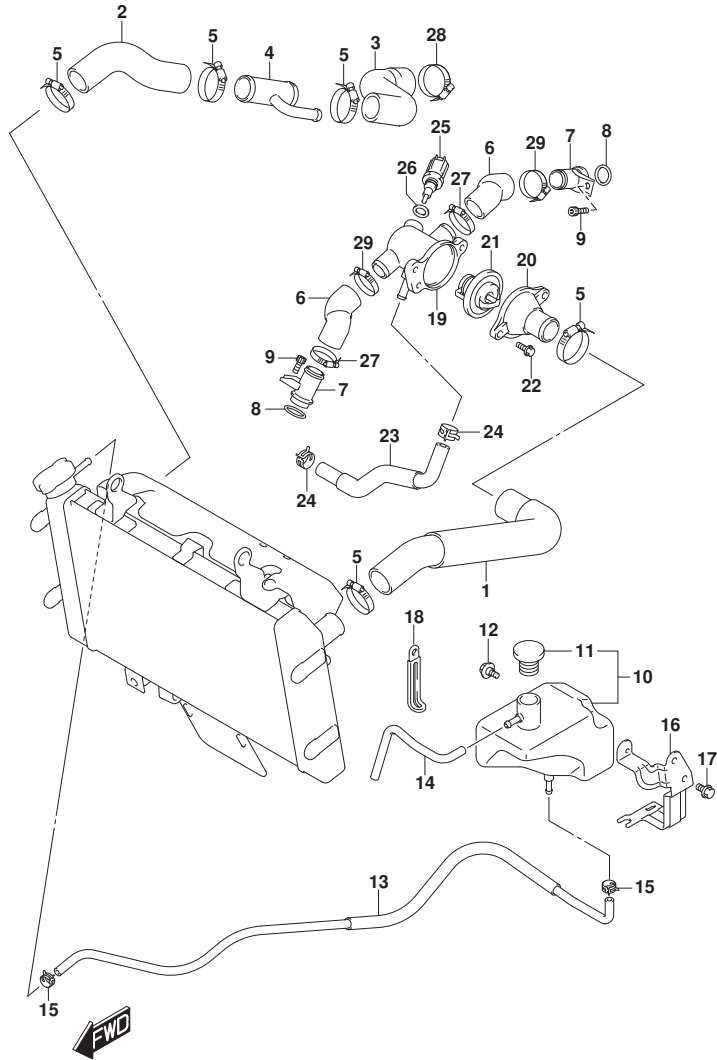


FIG.187A (1-C-9) RADIATOR HOSE

REF NO.	PART NO.	DESCRIPTION	Q'TY	REMARKS
1	17851-11J00	HOSE,RADIATOR INLET	1	
2	17852-44H20	HOSE,RADIATOR OUTLET NO.1	1	
3	17854-44H00	HOSE,RADIATOR OUTLET NO.2	1	
4	17880-44H00	UNION,WATER HOSE THREE WAY	1	
5	09401-29001	CLAMP	5	
6	17853-19F00	HOSE,CONNECTOR INLET	2	
7	17890-06G20	UNION,CONNECTOR HOSE	2	
8	09280-18008	O-RING (D:3.2,ID:17.8)	2	
9	07130-0612A	BOLT	2	
10	17910-27G10	TANK ASSY,RESERVOIR	1	
11	17931-02FA0	.CAP,RESERVOIR TANK	1	
12	09111-06085	BOLT (6X12)	1	
13	17900-27810	HOSE SET,RSVR TANK INLET	1	
14	17982-15H00	HOSE,RESERVOIR TANK OVER FLOW	1	
15	09401-08411	CLIP (ID:8.6)	2	
16	17920-27G10	BRACKET,RESERVOIR TANK	1	
17	01550-0610A	BOLT	2	
18	09404-06429	CLAMP (L:45)	1	
19	17662-02F11	CONNECTOR,THERMOSTAT INLET	1	
20	17663-17G00	CAP,THERMOSTAT CONNECTOR	1	
21	17670-06G61	THERMOSTAT,WATER	1	
22	01547-0616A	BOLT	2	
23	17856-44H00	HOSE,CONNECTOR TO WTR PMP	1	
24	09401-12414	CLIP	2	
25	13650-49X00	SENSOR,TEMP	1	
26	09168-12017	GASKET (12X17X1)	1	
27	09401-24002	CLAMP	2	
28	09401-30003	CLIP	1	
29	09401-25001	CLAMP	2	

FIG.189A

FIG.189A (1-C-10) 2ND AIR

REF NO.	PART NO.	DESCRIPTION	QTY	REMARKS
1	13150-28H10	VALVE ASSY,OIL REED	2	
2	18461-11J00	HOSE,2ND AIR VALVE FR	1	
3	18471-11J00	HOSE,2ND AIR VALVE RR	1	
4	18510-29G80	VALVE ASSY,AIR CUT	1	
5	18511-29G00	GROMMET,AIR CUT VALVE	2	
6	18531-06G10	COVER,2ND AIR REED VALVE	2	
7	18711-11J00	HOSE,2ND AIR CLNR	1	
8	09401-15101	CLIP (ID:15.5)	2	
9	09401-17201	CLIP	4	
10	01547-0620A	BOLT	4	

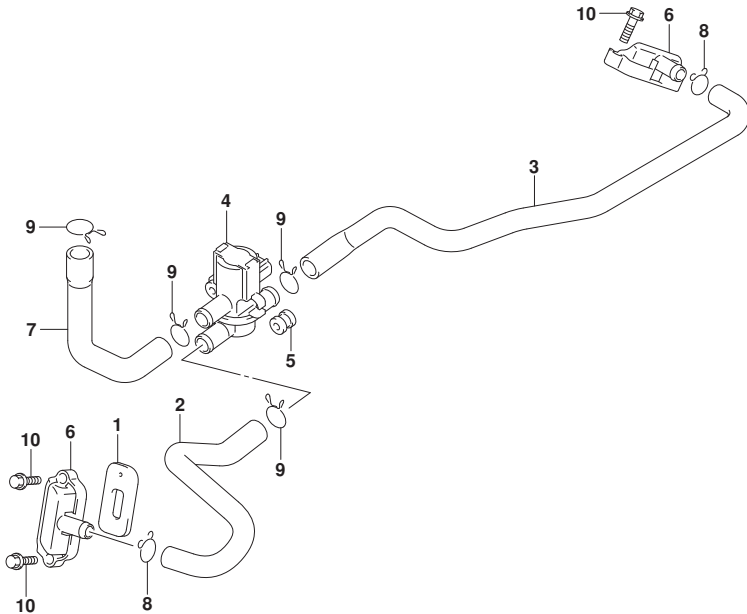


FIG.201A

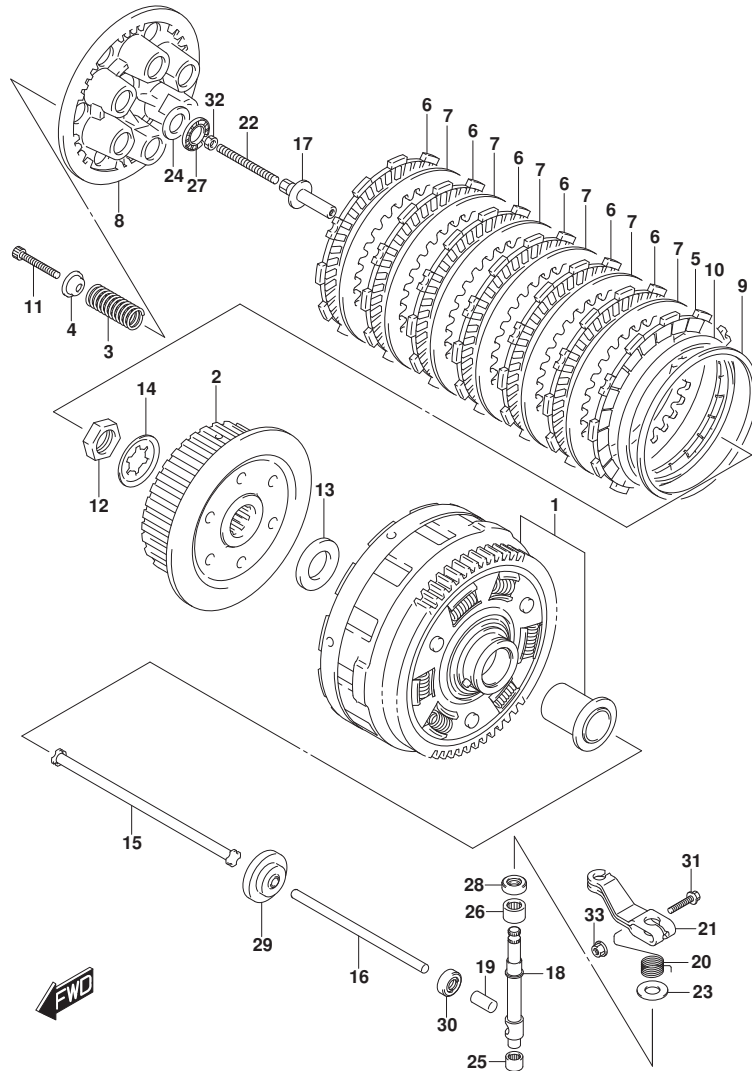


FIG.201A (1-C-11) CLUTCH

REF NO.	PART NO.	DESCRIPTION	Q'TY	REMARKS
1	21200-44860	GEAR ASSY,PRI DRIVEN (NT:71)	1	
2	21411-44101	HUB,CLUTCH SLEEVE	1	
3	21413-17G10	SPRING,CLUTCH	6	
4	21414-29F00	WASHER	6	
5	21442-29F10	PLATE,CLUTCH DRIVE NO.2 (T:3.0	1	
)		
6	21441-29F30	PLATE,CLUTCH DRIVE (T:3.0)	6	
7	21451-28C31	PLATE,CLUTCH DRIVEN (T:1.6)	6	
8	21462-16501	DISC,CLUTCH PRESSURE	1	
9	21471-17G00	SEAT,WAVE WASHER	1	
10	21472-17G00	WASHER,CLUTCH PLATE WAVE	1	
11	21482-41G10	BOLT,CLUTCH SPRING	6	
12	09140-20001	NUT	1	
13	09160-20067	WASHER (20X36X3)	1	
14	09167-20006	WASHER,LOCK	1	
15	23110-44111	ROD,PUSH,R	1	
16	23111-15501	ROD,CLUTCH PUSH,L	1	
17	23121-44H00	PIECE,CLUTCH PUSH	1	
18	23122-44H00	CAMSHAFT,CLUTCH RELEASE	1	
19	23123-41G00	CAP,CLUTCH PUSH ROD	1	
20	23125-11J00	SPRING,CLUTCH RELEASE RETURN	1	
21	23271-44H21	ARM,CLUTCH RELEASE	1	
22	09134-06015	SCREW (6X73)	1	
23	09160-10020	WASHER (10.5X24X1.0)	1	
24	09160-15045	WASHER (15.5X28X1)	1	
25	09263-10014	BEARING (10X14X10)	1	
26	09263-12027	BEARING (12X18X12)	1	
27	09263-15003	BEARING (15X28X2)	1	
28	09282-10012	SEAL,OIL (10X20X6)	1	
29	09283-06008	SEAL,OIL (6X34X10.5)	1	
30	09285-10004	SEAL,OIL (10X17X5)	1	
31	01550-0625A	BOLT (6X25)	1	
32	08310-0006A	NUT	1	
33	08316-1006A	NUT (6X12)	1	

FIG.206A

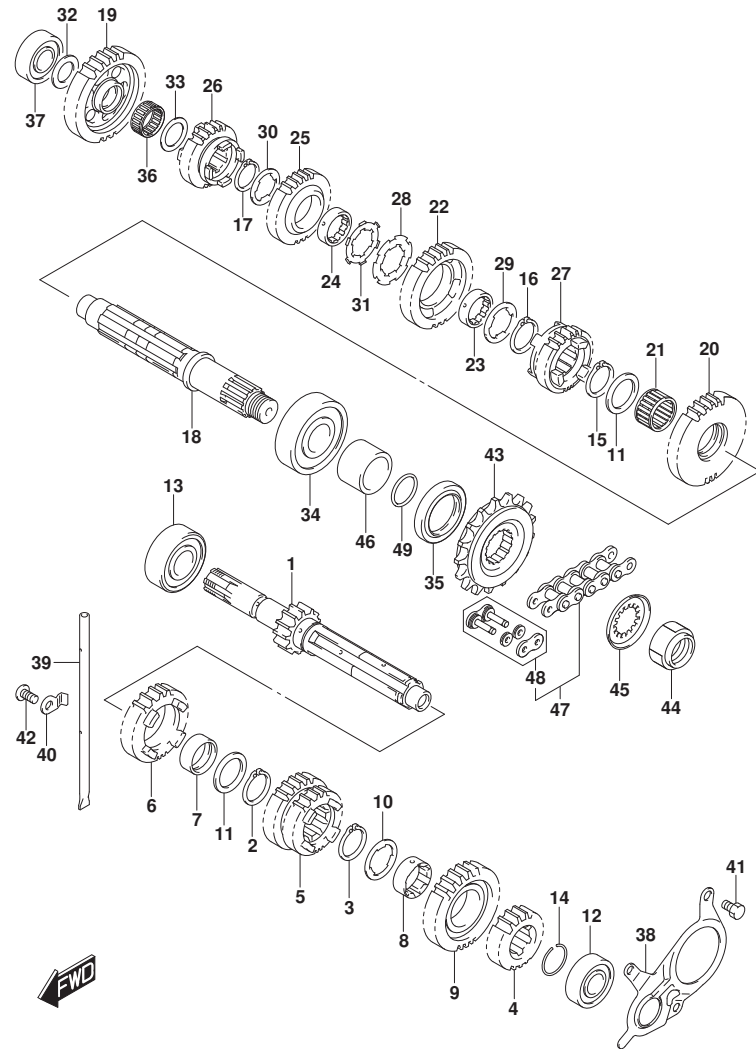


FIG.206A (1-C-12) TRANSMISSION

REF NO.	PART NO.	DESCRIPTION	Q'TY	REMARKS
1	24120-27G00	SHAFT,COUNTER (NT:13)	1	
2	24127-19F00	CIRCLIP	1	
3	24127-19F00	CIRCLIP	1	
4	24221-20F10	GEAR,2ND DRIVE (NT:18)	1	
5	24231-20F10	GEAR,3RD & 4TH DRIVE (NT:21/24	1	
)		
6	24251-20F02	GEAR,5TH DRIVE (NT:26)	1	
7	24252-19F00	BUSH	1	
8	24252-38A10	BUSH,6TH DRIVE GEAR	1	
9	24261-20F00	GEAR,6TH DRIVE (NT:27)	1	
10	09167-25021	WASHER,LOCK (25.1X33X1.0)	1	
11	09181-25167	SHIM (25X34X1)	2	
12	09262-17046	BEARING (17X40X12)	1	LH
13	09262-20145	BEARING (20X52X15)	1	RH
14	09380-25012	CIRCLIP	1	
15	24127-19F00	CIRCLIP	1	
16	24127-19F00	CIRCLIP	1	
17	24127-19F00	CIRCLIP	1	
18	24130-44H40	SHAFT,DRIVE	1	
19	24311-44H00	GEAR,1ST DRIVEN (NT:32)	1	
20	24321-44H20	GEAR,2ND DRIVEN (NT:32)	1	
21	09263-25069	BEARING (25X29X13)	1	
22	24331-44H00	GEAR,3RD DRIVEN (NT:29)	1	
23	24332-24510	BUSH,DRIVEN GEAR	1	
24	24332-24510	BUSH,DRIVEN GEAR	1	
25	24341-44H00	GEAR,4TH DRIVEN (NT:27)	1	
26	24351-44H10	GEAR,5TH DRIVEN (NT:25)	1	
27	24361-44H00	GEAR,6TH DRIVE (NT:23)	1	
28	09167-25013	WASHER,LOCK (25.1X41X1.5)	1	
29	09167-25021	WASHER,LOCK (25.1X33X1.0)	1	
30	09167-25021	WASHER,LOCK (25.1X33X1.0)	1	
31	09169-25001	WASHER (25.1X37X2.5)	1	
32	09181-17195	SHIM (17X28X1.0)	1	
33	09181-20195	SHIM (20X30X1)	1	
34	09262-25190	BEARING (25X62X17)	1	LH

FIG.206A

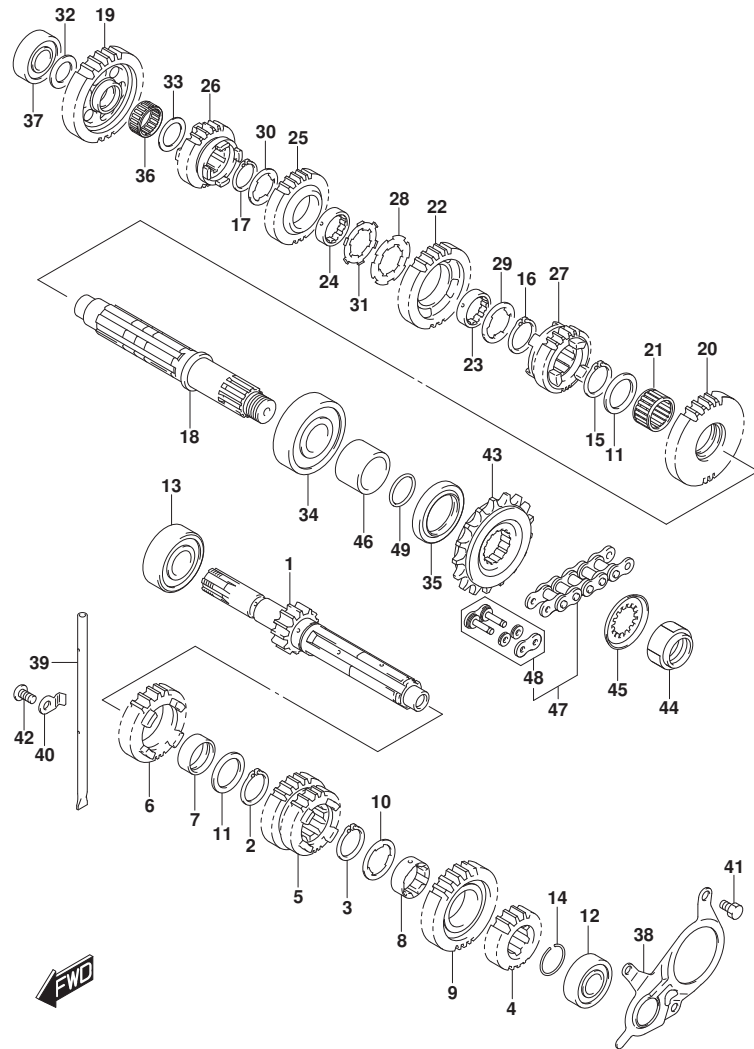
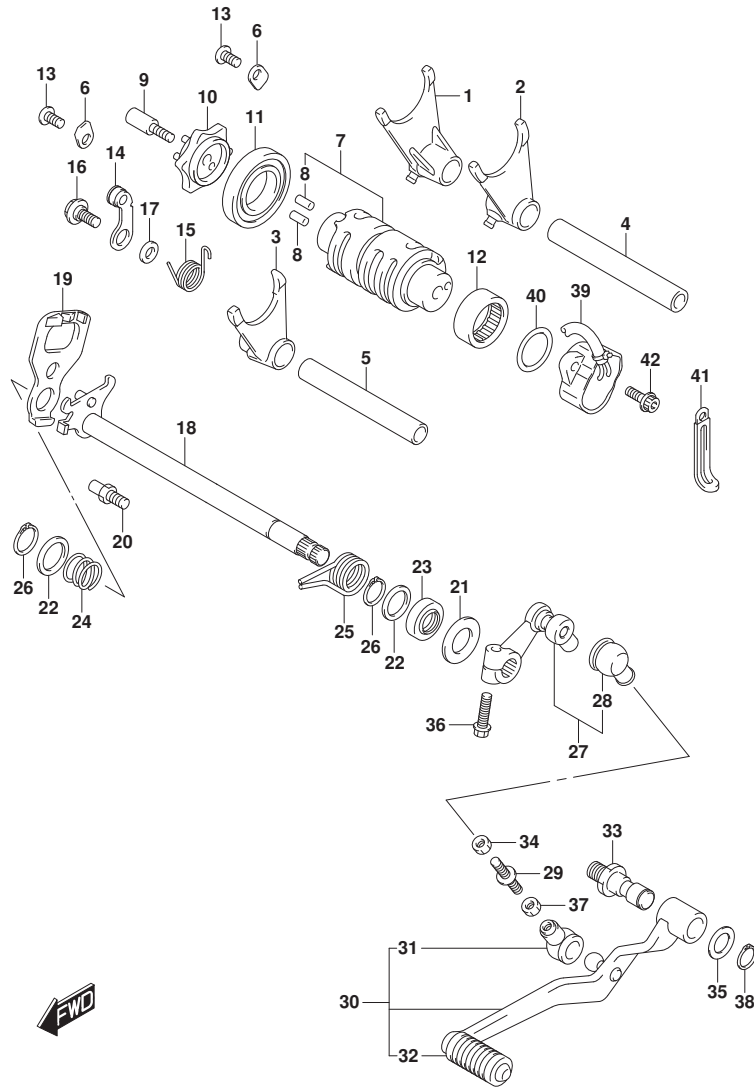


FIG.206A (1-C-13) TRANSMISSION

REF NO.	PART NO.	DESCRIPTION	Q'TY	REMARKS
35	09283-36011	SEAL,OIL (36X50X6)	1	
36	09263-20115	BEARING (20X24X12.8)	1	
37	08113-6203A	BEARING	1	RH
38	24751-19F10	RETAINER,DRIVE SHAFT OIL SEAL	1	
39	24881-12C30	GUIDE,T/M OIL	1	
40	24885-12C10	RETAINER,TRANSMISSION OIL	1	
41	01500-0612A	BOLT	3	
42	02112-0612A	SCREW	1	
43	27510-20F21	SPROCKET,ENGINE (NT:15)	1	
44	09159-20004	NUT	1	
45	09167-25028	WASHER,LOCK	1	
46	27531-19F10	SPACER,ENGINE SPROCKET	1	
47	27600-06G40-120	CHAIN ASSY,DRIVE (RK525SMOZ8)	1	L:120->118
48	27620-06G40	JOINT SET,DRIVE CHAIN	1	
49	09280-24010	O-RING (D:2.4,ID:23.7)	1	

FIG.212A



DL650AM4_E01_212A
GEAR SHIFTING

FIG.212A (1-C-14) GEAR SHIFTING

REF NO.	PART NO.	DESCRIPTION	Q'TY	REMARKS
1	25211-42E20	FORK,GEAR SHIFT NO.1	1	
2	25221-42E20	FORK,GEAR SHIFT NO.2	1	
3	25231-42E20	FORK,GEAR SHIFT NO.3	1	
4	25411-26D01	SHAFT,GEAR SHIFT FORK (L:110)	1	
5	25411-44B00	SHAFT,GEAR SHIFT FORK NO.1	1	
6	24741-21A00	RETAINER	2	
7	25310-19F00	CAM,GEAR SHIFT	1	
8	04221-04089	.PIN (4X13.8)	2	
9	25312-42F01	BOLT,GEAR SHIFT CAM PLATE	1	
10	25381-19F20	PLATE,GEAR SHIFT CAM	1	
11	09262-25006	BEARING (25X47X8)	1	
12	09263-25018	BEARING (25X32X12)	1	
13	02112-0612A	SCREW	2	
14	25350-35F00	STOPPER,SHIFT CAM	1	
15	25355-35F01	SPRING,SHIFT	1	
16	09111-06041	BOLT (6X14.3)	1	
17	08211-06141	WASHER	1	
18	25510-19F10	SHAFT,GEAR SHIFT	1	
19	25512-06G20	PLATE,GEAR SHIFT CAM DRIVE	1	
20	25671-01011	STOPPER,GEAR SHIFT ARM	1	
21	09160-14016	WASHER (14X29X0.8)	1	
22	09181-14167	SHIM (14X22X1.0)	2	
23	09283-14005	SEAL,OIL (14X22X7.3)	1	
24	09440-17009	SPRING	1	
25	25518-06L00	SPRING,GEAR SHIFT SHAFT RETURN	1	
26	08331-3114A	CIRCLIP	3	
27	25520-27G01	ARM,GEAR SHIFT LINK	1	
28	25526-47001	.COVER,DUST	1	
29	25525-27G00	ROD,GEAR SHIFT LINK	1	
30	25600-11J01	LEVER ASSY,GEAR SHIFT	1	
31	25526-47001	.COVER,DUST	1	
32	25652-20C00	.RUBBER,GEAR SHIFT PEDAL	1	
33	25617-03F10	SHAFT,GEAR SHIFT LEVER	1	
34	08310-00067	NUT	1	
35	09160-12011	WASHER (12.5X20X1.0)	1	

DL650AM4_E01

FIG.212A

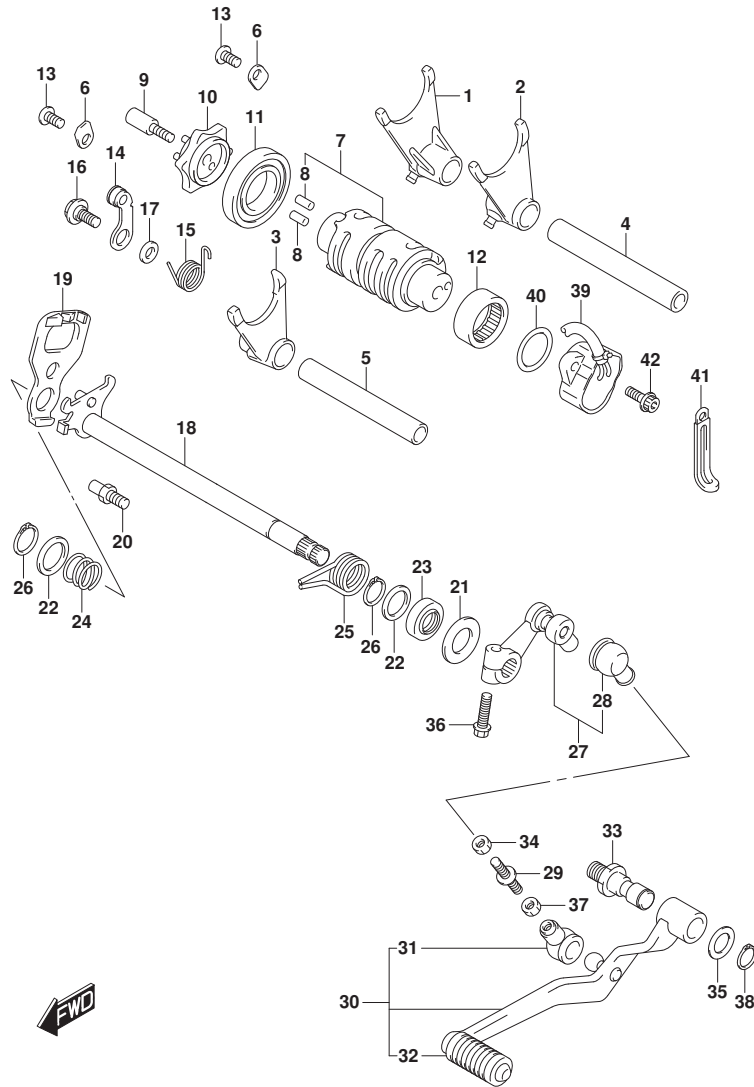


FIG.212A (1-C-15) GEAR SHIFTING

REF NO.	PART NO.	DESCRIPTION	Q'TY	REMARKS
36	01547-0620A	BOLT	1	
37	09140-06025	NUT	1	
38	08331-3112A	CIRCLIP	1	
39	37730-44H10	SENSOR ASSY, GEAR POSITION	1	
40	09280-26005	O-RING (D:2.4, ID:26.2)	1	
41	09404-08422	CLAMP (L:80)	1	
42	09106-05023	BOLT (5X16)	2	

FIG.301A

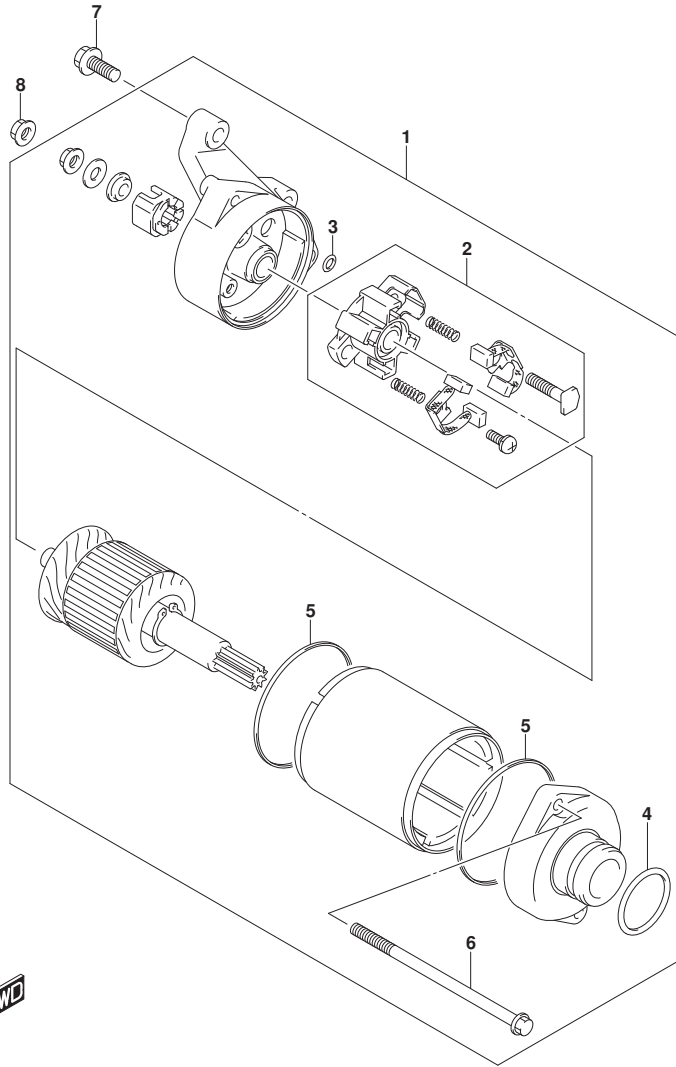


FIG.301A (1-C-16) STARTING MOTOR

REF NO.	PART NO.	DESCRIPTION	Q'TY	REMARKS
1	31100-19F10	MOTOR ASSY,STARTING	1	
2	31132-18H00	.BRUSH HOLDER SET	1	
3	31143-49040	.O-RING	1	
4	31156-98E00	.O-RING (D:3.1,ID:24.4)	1	
5	31264-38F10	.SQUARE RING	2	
6	31280-19F10	.BOLT SET	2	
7	01547-0625A	BOLT	2	
8	08361-3506A	NUT	1	

FIG.303A

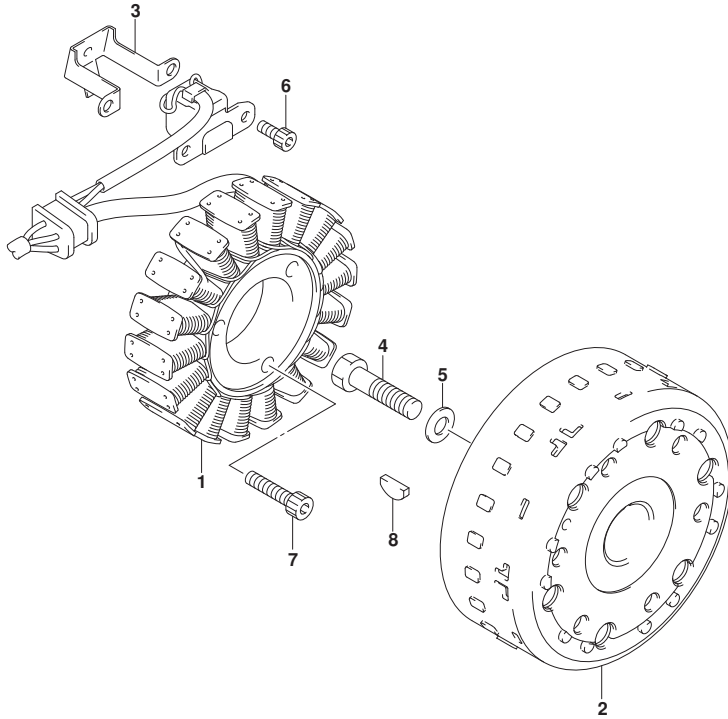


FIG.303A (1-D-2) MAGNETO

REF NO.	PART NO.	DESCRIPTION	Q'TY	REMARKS
1	32101-28K00	STATOR ASSY	1	
2	32102-28K00	ROTOR ASSY	1	
3	32371-19F10	CLAMP,MAGNETO LEAD	1	
4	09103-12004	BOLT (12X40)	1	
5	09160-12036	WASHER (12X30X3.0)	1	
6	07130-0512A	BOLT	2	
7	07130-0635A	BOLT	3	
8	09420-04008	KEY (B:4,D:16,H6.5)	1	

FIG.310A

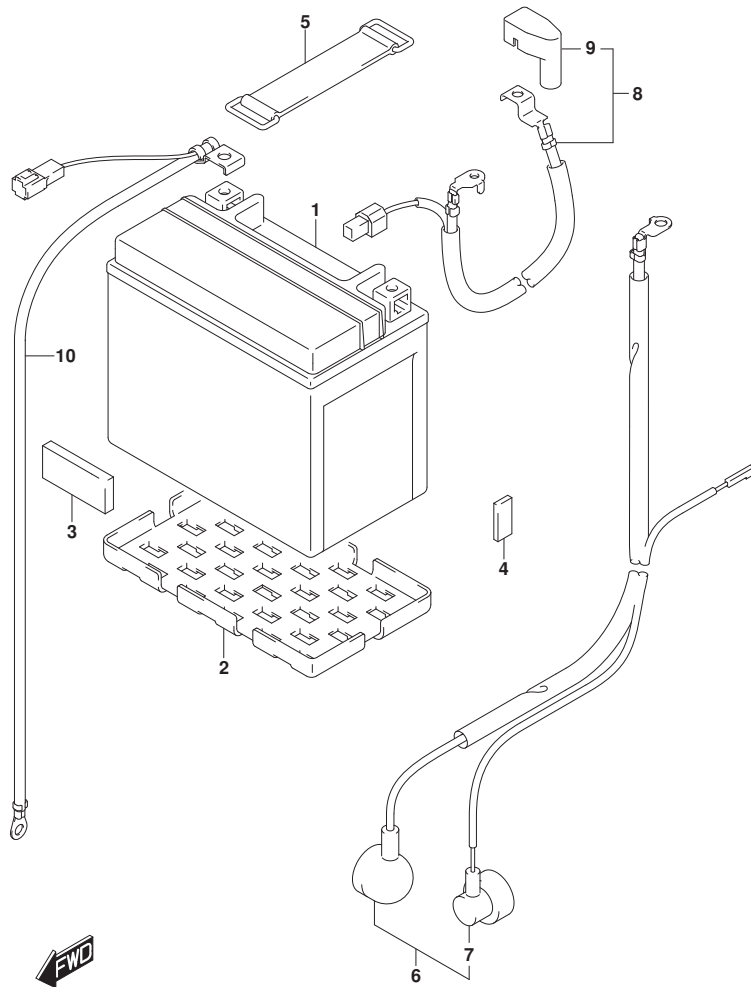


FIG.310A (1-D-3) BATTERY

REF NO.	PART NO.	DESCRIPTION	Q'TY	REMARKS
1	33630-48E01	BATTERY ASSY (FTX12-BS,12V10AH)	1	
2	33652-16G00	PROTECTOR,BATTERY	1	
3	33652-08420	PROTECTOR,BATTERY (70X100X6.0)	1	CUT AS REQUIRED
4	44543-10G00	CUSHION,FUEL TANK NO.2 (20X40X 3.0)	1	CUT AS REQUIRED
5	09462-00007	BAND	1	
6	33810-28K00	WIRE,STARTER MOTOR LEAD	1	
7	36618-31J00	.CAP,OIL PRESSURE SWITCH	1	
8	33820-28K00	WIRE,BATTERY PLUS LEAD (+)	1	
9	33624-27G00	.CAP,BATTERY PLUS LEAD (+)	1	
10	33860-28K10	WIRE,BATTERY MINUS (-)	1	

FIG.312A

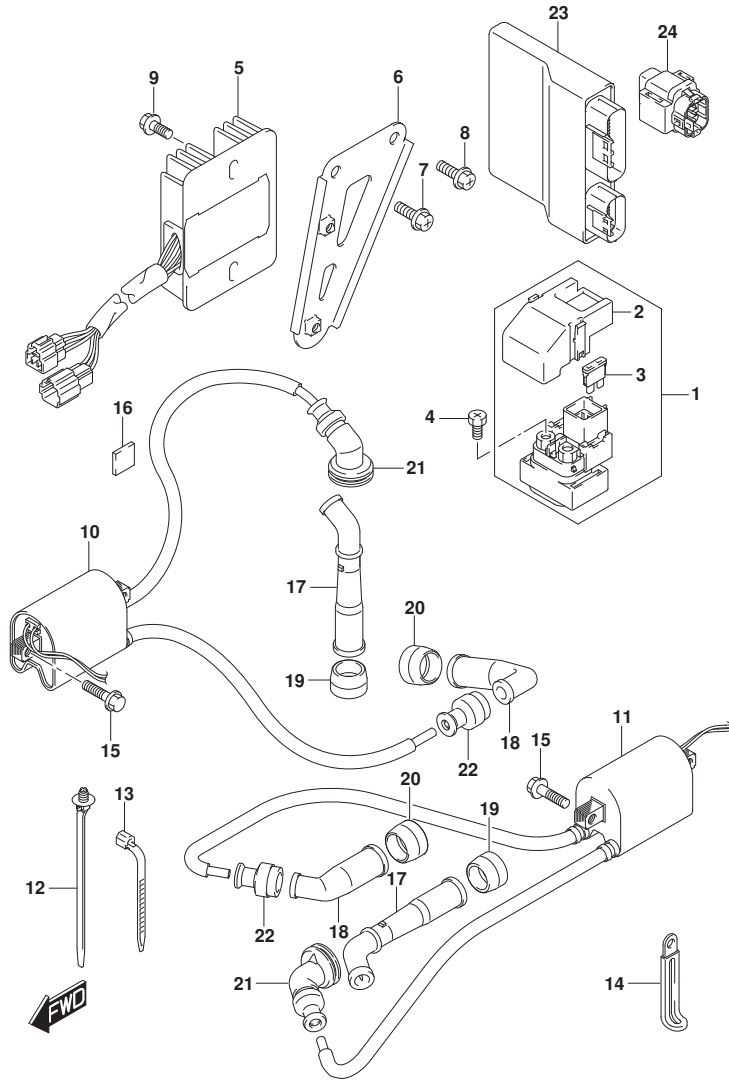


FIG.312A (1-D-4) ELECTRICAL

REF NO.	PART NO.	DESCRIPTION	Q'TY	REMARKS
1	31800-06G02	RELAY ASSY,STARTING MOTOR	1	
2	31861-47E00	.COVER	1	
3	09481-30101	.FUSE (30A)	2	
4	09128-06013	SCREW (6X8)	2	
5	32800-47H00	RECTIFIER ASSY	1	
6	32830-11J00	BRACKET,RECT FTG	1	
7	02162-0616A	SCREW	1	
8	02162-0610A	SCREW	1	
9	02162-0616A	SCREW	2	
10	33410-27G02	COIL ASSY,IGNITION	1	
11	33420-27G03	COIL ASSY,IGNITION	1	
12	09407-17403	CLAMP (L:170)	1	
13	09407-18402	CLAMP (L:165)	1	
14	09404-06429	CLAMP (L:45)	1	
15	01547-0625A	BOLT	4	
16	92213-33G00	CUSHION,HELMET BOX (60X60X3.0)	1	
17	33510-17G00	CAP ASSY,SPARK PLUG	2	FOR CENTER
18	33510-20E00	CAP ASSY,SPARK PLUG	2	FOR SIDE
19	33541-23E10	SEAL,SPARK PLUG	2	FOR CENTER
20	33541-47D00	SEAL,SPARK PLUG	2	FOR SIDE
21	33542-17G01	SEAL,HIGH TENSION CORD CTR	2	FOR CENTER
22	33542-38B00	SEAL,HIGH TENSION CORD	2	FOR SIDE
23	32900-28810	ECM SET	1	
24	33960-27G00	SENSOR ASSY,FUEL CUT	1	

FIG.330A

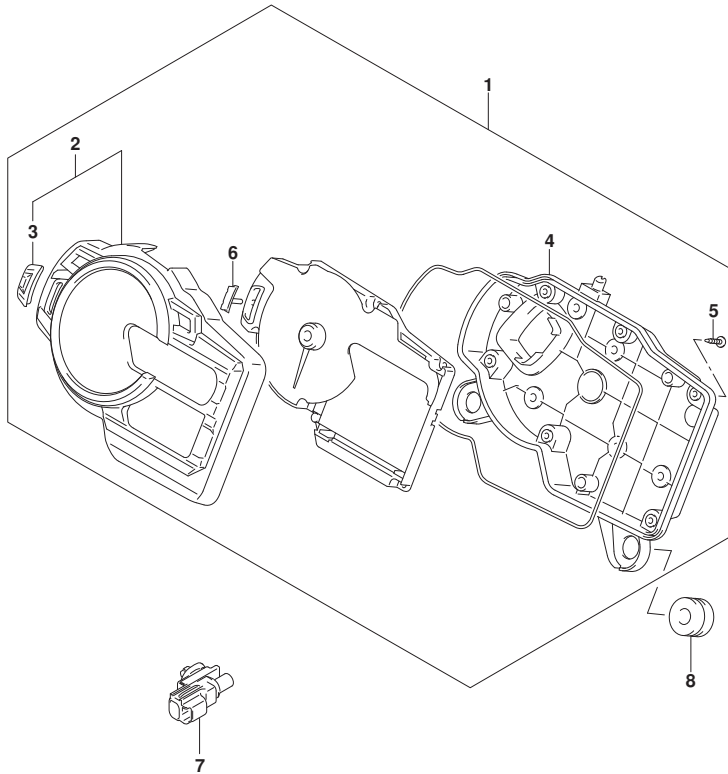


FIG.330A (1-D-5) SPEEDOMETER

REF NO.	PART NO.	DESCRIPTION	Q'TY	REMARKS
1	34100-28K00	SPEEDOMETER ASSY	1	
2	34150-28K00	.CASE,UPPER	1	
3	34126-31J00	..RUBBER SWITCH	1	
4	34152-28K00	.CASE,LOWER	1	
5	34183-29F00	.SCREW (3X12)	6	
6	34124-31J00	.KNOB	1	
7	#95643-58J00	SENSOR,AIR TEMP	1	
8	34189-08J01	CUSHION,SPEEDOMETER	2	

FIG.333A

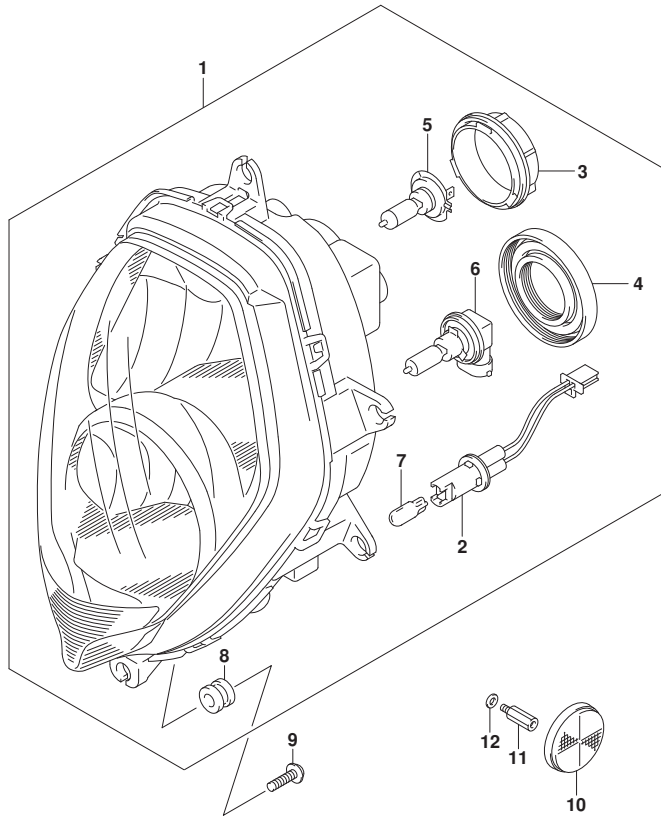


FIG.333A (1-D-6) HEADLAMP

REF NO.	PART NO.	DESCRIPTION	QTY	REMARKS
1	35100-31J01	HEADLAMP ASSY	1	
2	35171-31J00	.CORD ASSY	1	
3	35179-31J00	.COVER	1	
4	35142-31J00	.SEAL COVER	1	
5	09471-12188	.BULB (12V55W H7)	1	
6	09471-12222	.BULB (12V65W)	1	
7	09471-12216	.BULB (12V5W)	1	
8	09320-07014	.CUSHION	6	
9	09136-05062	SCREW (5X15)	6	
10	35950-13K01	REFLEX REFLECTOR ASSY,FR SIDE	2	
11	09119-05023	BOLT (5X10)	2	
12	08322-0105A	WASHER	2	

FIG.334A

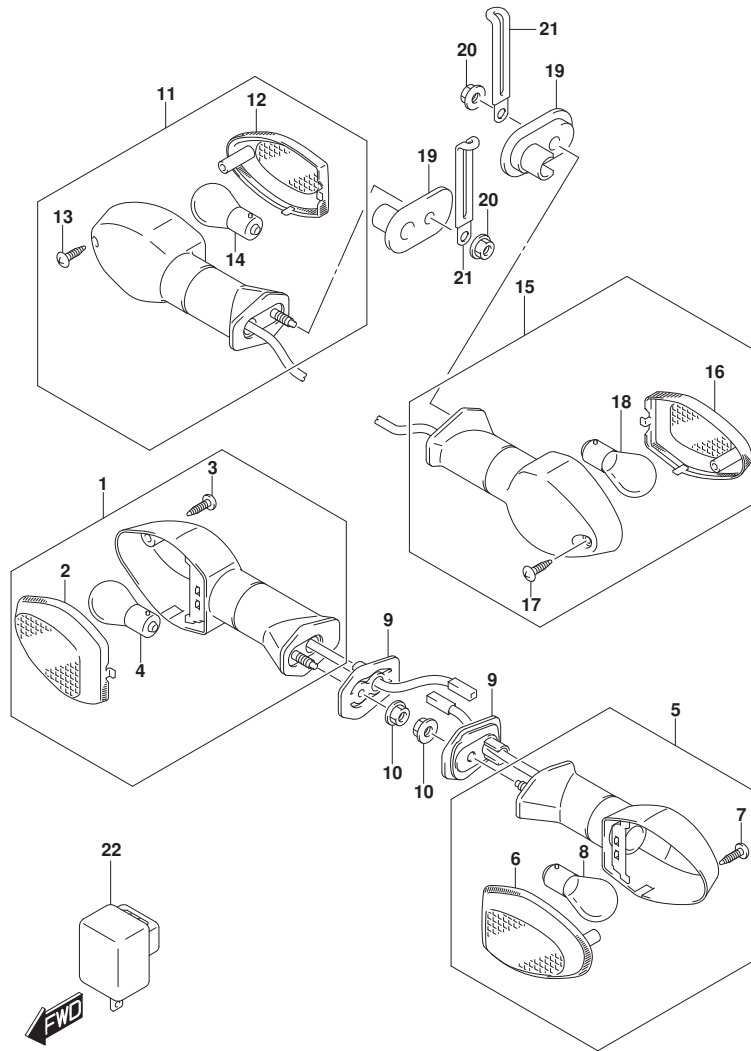


FIG.334A (1-D-7) TURNSIGNAL LAMP

REF NO.	PART NO.	DESCRIPTION	Q'TY	REMARKS
1	35601-08JA0	LAMP ASSY,FR TURNSIGNAL,R	1	
2	35612-08JA0	.LENS	1	
3	03211-0414B	.SCREW	1	
4	09471-12186	.BULB (12V21W)	1	AMBER
5	35602-08JA0	LAMP ASSY,FR TURNSIGNAL,L	1	
6	35632-08JA0	.LENS	1	
7	03211-0414B	.SCREW	1	
8	09471-12186	.BULB (12V21W)	1	AMBER
9	35629-18G00	PLATE,FR TURNSIGNAL	2	
10	08316-1005A	NUT	2	
11	35603-08JA0	LAMP ASSY,RR TURNSIGNAL,R	1	
12	35632-08JA0	.LENS	1	
13	03211-0414B	.SCREW	1	
14	09471-12186	.BULB (12V21W)	1	AMBER
15	35604-08JA0	LAMP ASSY,RR TURNSIGNAL,L	1	
16	35612-08JA0	.LENS	1	
17	03211-0414B	.SCREW	1	
18	09471-12186	.BULB (12V21W)	1	AMBER
19	35629-31F40	PLATE,TURNSIGNAL LAMP	2	
20	08316-1005A	NUT	2	
21	09404-06429	CLAMP (L:45)	2	
22	38610-06F01	RELAY ASSY,TURNSIGNAL LAMP	1	

FIG.339A

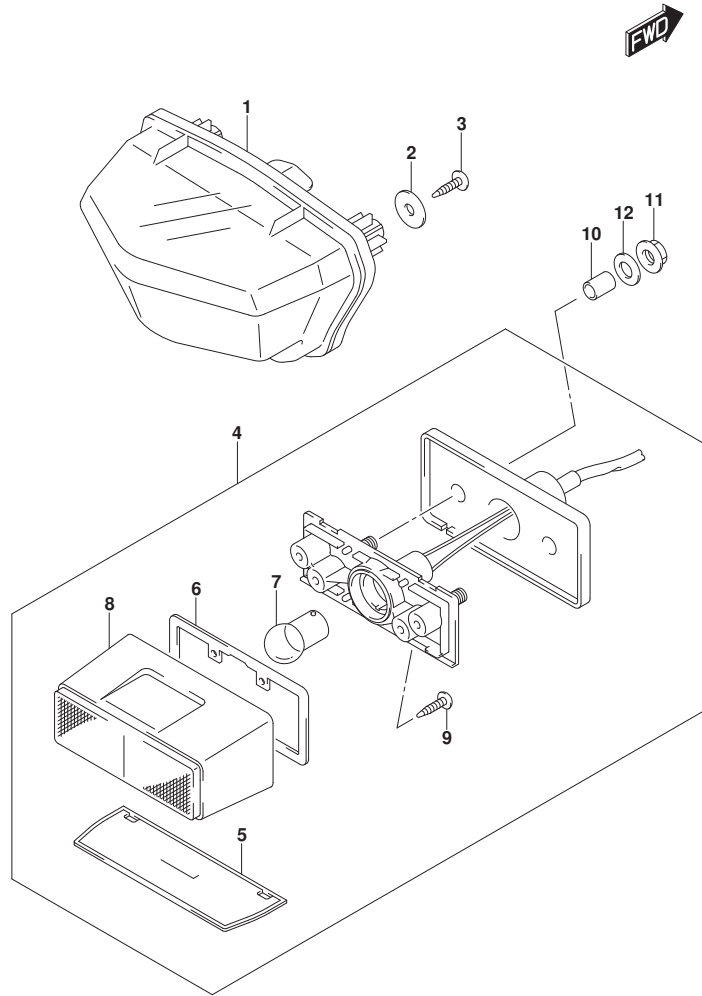


FIG.339A (1-D-8) REAR COMBINATION LAMP

REF NO.	PART NO.	DESCRIPTION	Q'TY	REMARKS
1	35710-31J01	LAMP ASSY,RR COMB	1	
2	09160-05501	WASHER (5.5X20X1.2)	3	
3	03541-0516A	SCREW	3	
4	35910-41GB2	LAMP ASSY,LICENSE	1	
5	35912-41G01	.LENS,LICENSE LAMP	1	
6	35913-41G00	.GASKET	1	
7	09471-12140	.BULB (12V5W)	1	
8	35917-41G00	.COVER,LICENSE LAMP	1	
9	03211-0416A	.SCREW	2	
10	09180-06248	SPACER (6.1X8X9.5)	2	
11	08316-1006A	NUT (6X12)	2	
12	09160-06077	WASHER (6.5X20X1.2)	2	

FIG.350A

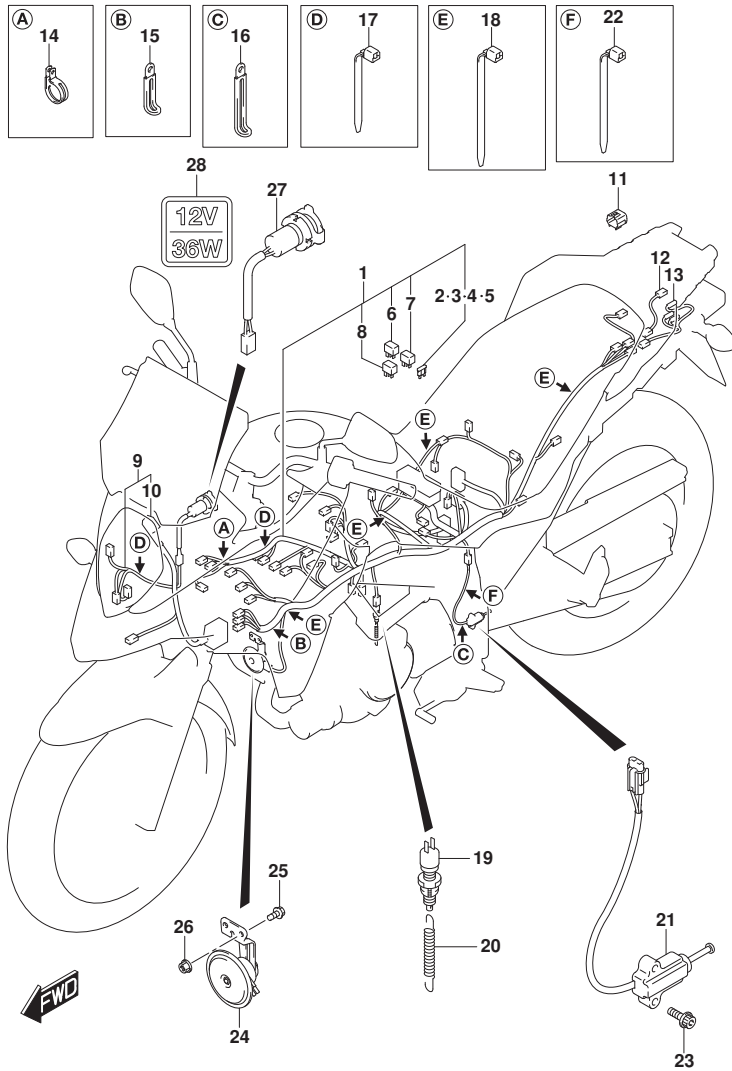


FIG.350A (1-D-9) WIRING HARNESS

REF NO.	PART NO.	DESCRIPTION	Q'TY	REMARKS
1	36610-28K01	HARNSS,WIRING NO.1	1	
2	09481-03501	.FUSE (3A)	1	
3	09481-10504	.FUSE (10A)	2	
4	09481-15504	.FUSE (15A)	5	
5	09481-25504	.FUSE (25A)	1	
6	38860-76F01	.RELAY ASSY	1	FUEL PUMP
7	38860-76F01	.RELAY ASSY	1	FAN MOTOR
8	38860-76F01	.RELAY ASSY	1	SIDE STAND
9	36620-28K00	HARNSS,WIRING NO.2	1	
10	36618-41G00	.COVER,CONNECTOR	1	
11	36654-06J01	CAP,TS	1	
12	36853-28K00	WIRE,REAR COMB LEAD	1	
13	36856-28K00	WIRE,REAR TURNSIGNAL LEAD	1	
14	09403-26402	CLAMP	1	
15	09404-06030	CLAMP (L:80)	1	
16	09404-06429	CLAMP (L:45)	1	
17	09407-14403	CLAMP (L:125)	2	
18	09407-18402	CLAMP (L:165)	4	
19	37740-31D00	SWITCH ASSY,STOP LAMP	1	
20	09443-06012	SPRING	1	
21	37840-06G01	SWITCH ASSY,SIDE STAND	1	
22	09407-10404	CLAMP (L:100)	1	
23	01550-0616A	BOLT	2	
24	38500-11J00	HORN ASSY	1	
25	09118-06017	BOLT (6X16)	2	
26	08316-1006A	NUT (6X12)	2	
27	38850-31J00	TERMINAL,POWER SOURCE	1	
28	38852-28K01	LABEL,MAX AMP	1	

FIG.352A

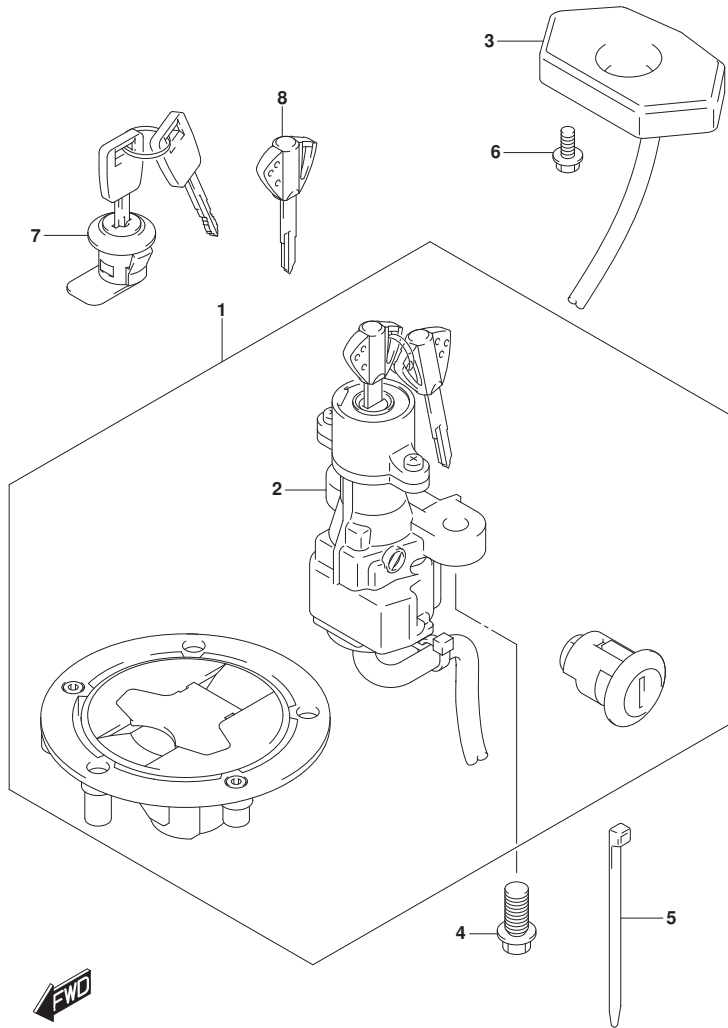


FIG.352A (1-D-10) LOCK SET

REF NO.	PART NO.	DESCRIPTION	Q'TY	REMARKS
1	37101-28810	LOCK SET	1	
2	37100-28K00	.LOCK ASSY,STEERING	1	
3	37180-11J06	ANTENNA ASSY,IMMOBILIZER	1	
4	37152-17K00	BOLT,STEERING LOCK (8X20)	2	
5	09407-14407	CLAMP (L:145)	2	
6	01547-0512A	BOLT	2	
7	95700-31870	LOCK SET,CASE	3	
8	37146-13K00	KEY,BLANK	1	OPT

FIG.355A

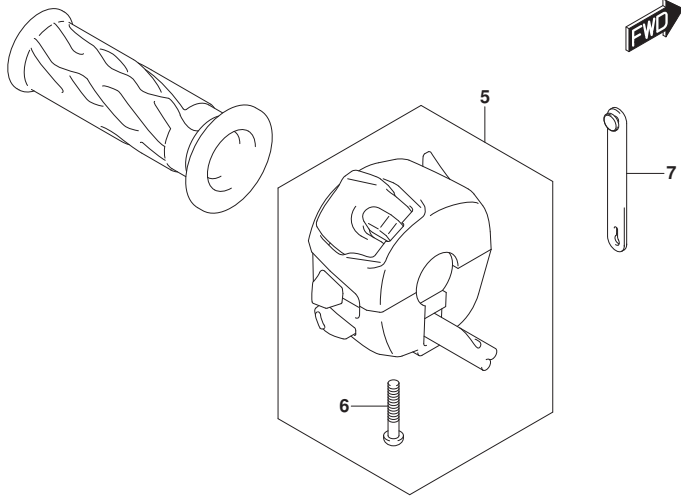


FIG.355A (1-D-11) HANDLE SWITCH

REF NO.	PART NO.	DESCRIPTION	Q'TY	REMARKS
1	37200-28K00	SWITCH ASSY,HANDLE,R	1	
2	02112-0530B	.SCREW	1	
3	02112-0550B	.SCREW	1	
4	09407-14407	CLAMP (L:145)	1	
5	37400-28K01	SWITCH ASSY,HANDLE,L	1	
6	02112-0525B	.SCREW	2	
7	36990-06L00	CLAMP,HANDLE SWITCH (L:145)	3	

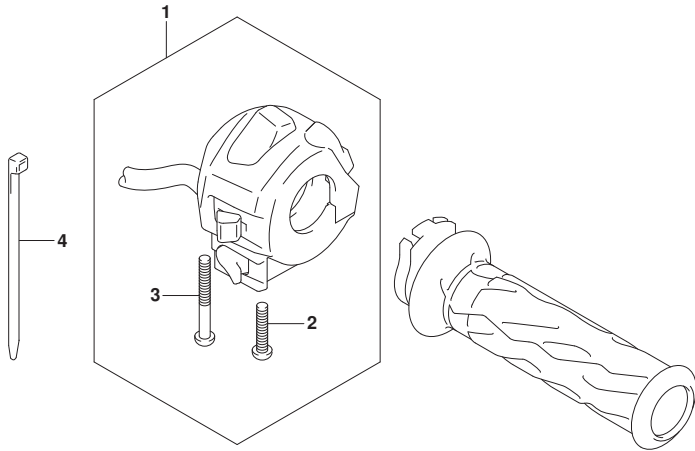


FIG.401A

FIG.401A (1-D-12) FRAME

REF NO.	PART NO.	DESCRIPTION	Q'TY	REMARKS
1	41100-27GB0-YAP	FRAME (BLACK)	1	
2	41200-28K01	RAIL,SEAT	1	
3	09103-10379	BOLT (10X30)	4	
4	41911-06G90-YAP	BRACKET,ENG MTG,R (BLACK)	1	
5	41912-06G90-YAP	BRACKET,ENG MTG,L (BLACK)	1	
6	09106-08193	BOLT (8X30)	8	
7	41923-16G00	BOLT,CRANK CASE ADJUST CTR	1	
8	41922-19F20	NUT,CRANK CASE ADJUST CTR	1	
9	41921-16G01	BOLT,CRANK CASE ADJUST LWR	1	
10	41922-33E20	NUT,CRANK CASE ADJUST LWR	1	
11	41941-19F01	SPACER,MOUNTING RR UPR,R	1	UPPER
12	09106-08168	BOLT (8X38)	1	
13	43585-27G10	COVER,PIVOT,R	1	
14	43595-27G00	COVER,PIVOT,L	1	
15	43585-28K00	TAPE,FRAME PIVOT,R	1	
16	43595-28K00	TAPE,FRAME PIVOT,L	1	

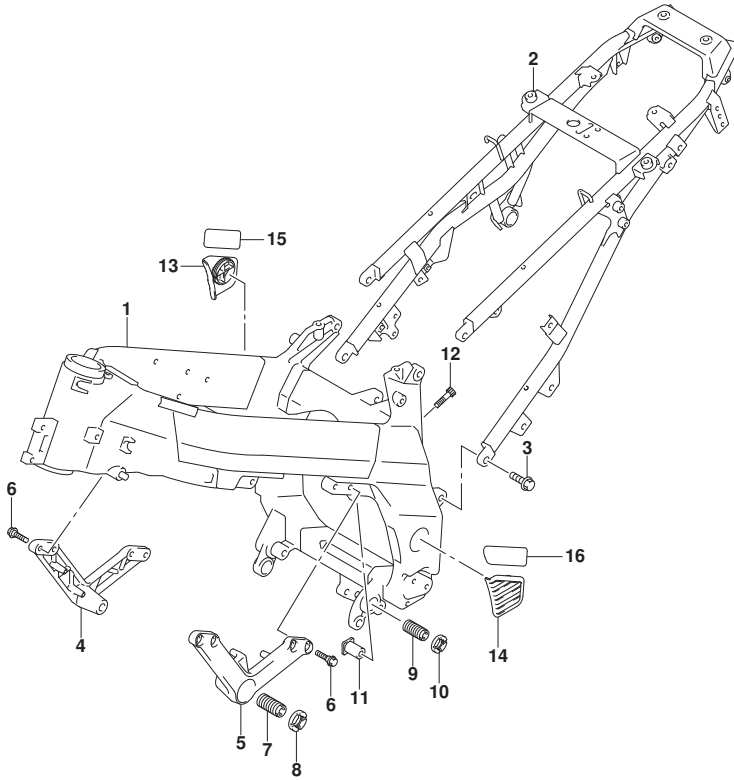


FIG.405A

FIG.405A (1-D-13) BATTERY HOLDER

REF NO.	PART NO.	DESCRIPTION	Q'TY	REMARKS
1	47431-28K00	HOLDER,BATTERY	1	
2	33652-27G00	CUSHION (12X20X3)	1	
3	09111-06106	BOLT (6X12)	2	
4	03541-0516A	SCREW	2	

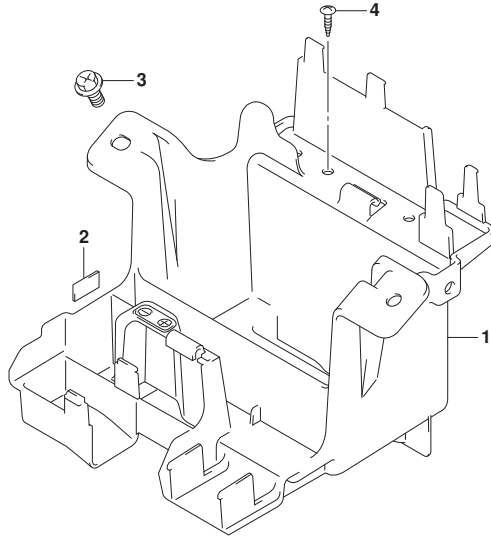


FIG.407A

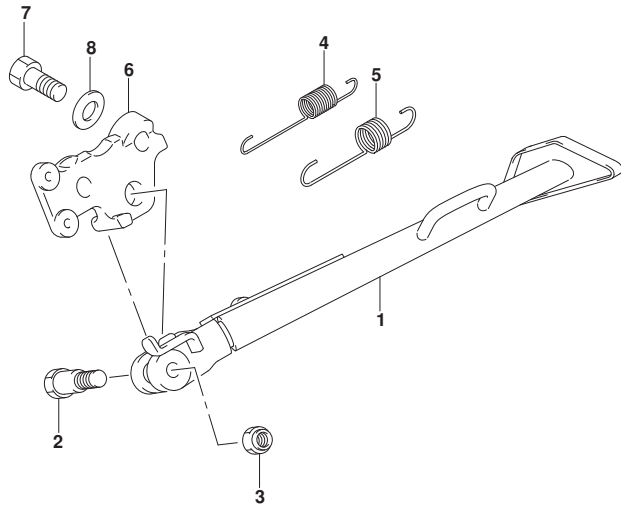
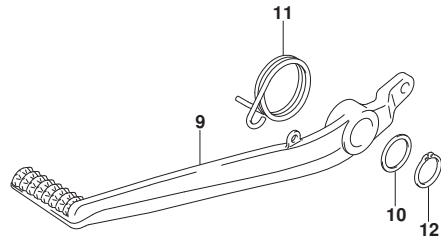


FIG.407A (1-D-14) STAND

REF NO.	PART NO.	DESCRIPTION	Q'TY	REMARKS
1	42310-06G60	STAND,PROP	1	
2	09111-10058	BOLT (10X37.5)	1	
3	42321-03FK0	NUT,PROP STAND	1	
4	09443-14058	SPRING	1	INNER
5	09443-19011	SPRING	1	OUTER
6	42330-06G60	BRACKET,PROP STAND	1	
7	09100-12084	BOLT (12X30)	2	
8	09160-12061	WASHER (12.5X24X2.6)	2	
9	43111-27G00	PEDAL,BRAKE	1	
10	09160-18022	WASHER (18X24X1.0)	1	
11	09448-41005	SPRING	1	
12	08331-3118A	CIRCLIP	1	



FIG.412A

FIG.412A (1-D-15) CARRIER

REF NO.	PART NO.	DESCRIPTION	Q'TY	REMARKS
1	46311-31J20	CARRIER,SPORT	1	
2	09103-08512	BOLT (8X35)	4	
3	09169-08049	WASHER	4	
4	68391-06L00	LABEL,CARRIER WARNING	1	

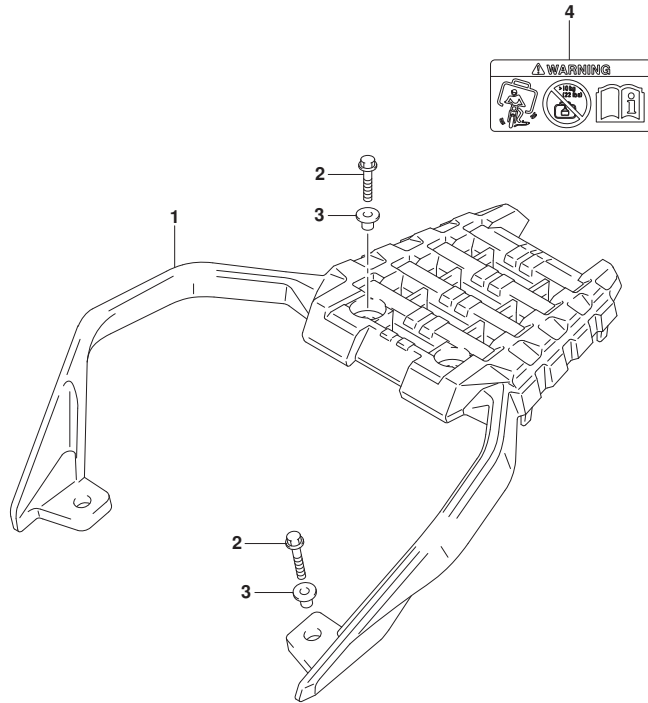


FIG.415A

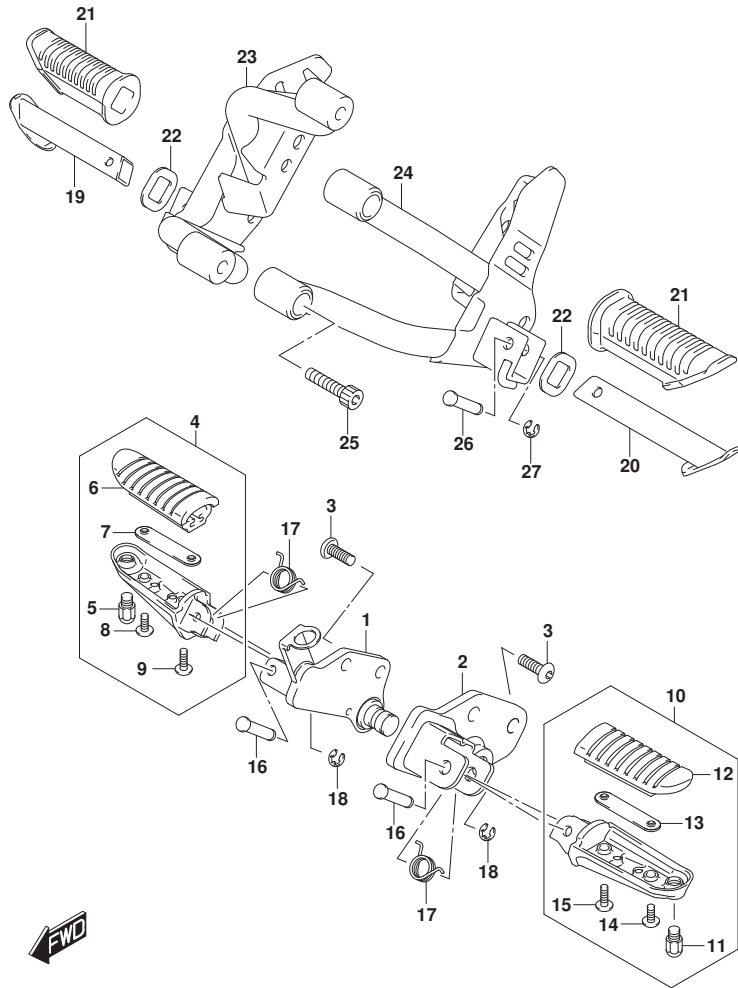


FIG.415A (1-D-16) FOOTREST

REF NO.	PART NO.	DESCRIPTION	Q'TY	REMARKS
1	43510-11J00-YAP	BRACKET,FR FOOTREST,R (BLACK)	1	
2	43520-11J00-YAP	BRACKET,FR FOOTREST,L (BLACK)	1	
3	09106-08150	BOLT (8X23)	4	
4	43501-06G01	FOOTREST ASSY,R	1	
5	43576-07D01	.BOLT,BANK SENSOR	1	
6	43551-06G00	.RUBBER,FOOTREST	1	
7	43552-06G00	.PLATE,FR FOOTREST RUBBER	1	
8	02142-0516B	.SCREW	1	OUTER
9	02142-0520B	.SCREW	1	INNER
10	43502-06G01	FOOTREST ASSY,LH	1	
11	43576-07D01	.BOLT,BANK SENSOR	1	
12	43551-06G00	.RUBBER,FOOTREST	1	
13	43552-06G00	.PLATE,FR FOOTREST RUBBER	1	
14	02142-0516B	.SCREW	1	OUTER
15	02142-0520B	.SCREW	1	INNER
16	09208-08010	PIN (8X33.2)	2	
17	09448-18022	SPRING	2	
18	08332-1106B	E-RING	2	
19	43610-34A60	BAR,PILLION FOOTREST,R	1	
20	43710-34A60	BAR,PILLION FOOTREST,L	1	
21	43612-33G30	RUBBER,PILLION FOOTREST	2	
22	43631-34A01	WASHER,FOOTREST RUBBER	2	
23	43810-28K00-YAP	BRACKET,PILLION FTRST,R (BLACK)	1	
24	43820-28K00-YAP	BRACKET,PILLION FTRST,L (BLACK)	1	
25	09106-08074	BOLT (8X40)	4	
26	09208-06008	PIN (6X29.5)	2	
27	08332-1104A	E-RING	2	

FIG.420B

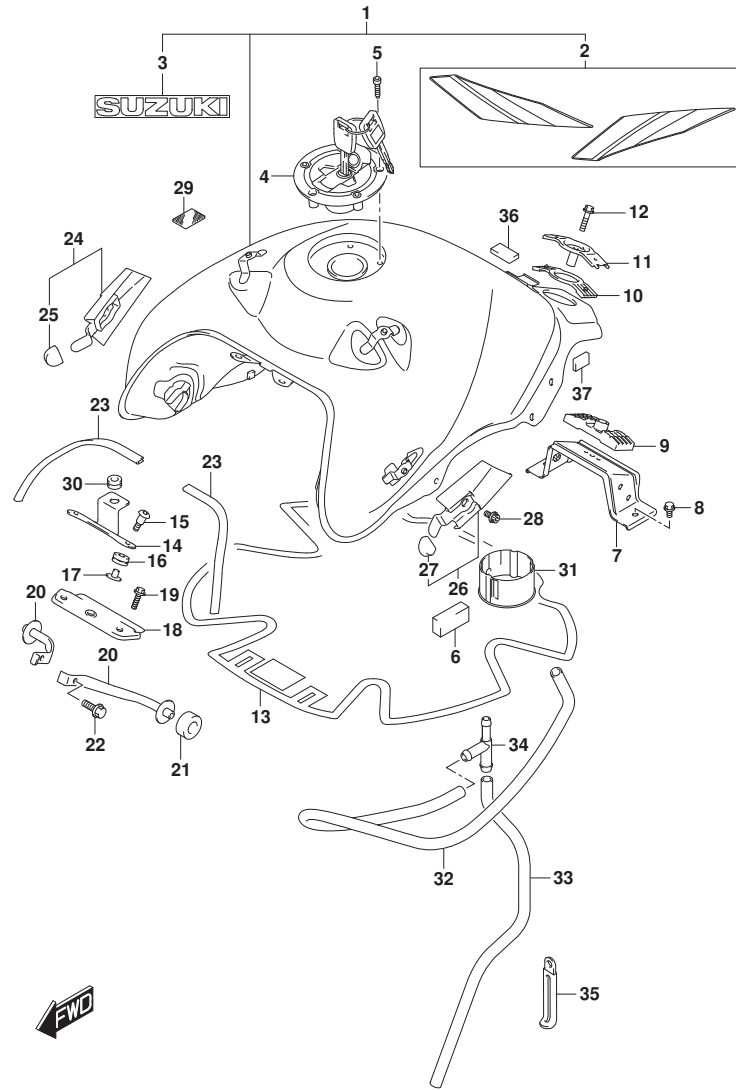


FIG.420B (1-E-4) FUEL TANK (DL650XA:M4:E01)

REF NO.	PART NO.	DESCRIPTION	Q'TY	REMARKS
1-1	44100-28KK0-YUH	TANK ASSY,FUEL (WHITE)	1	BODY COLOR:JWN
1-2	44100-28KK0-YU1	TANK ASSY,FUEL (YELLOW)	1	BODY COLOR:YU1
1-3	44100-28KK0-YVB	TANK ASSY,FUEL (BLACK)	1	BODY COLOR:YVB
2-1	68110-28K40-CGN	.TAPE SET,FUEL TANK (WHITE,BLA CK,BLUE)	1	BODY COLOR:JWN
2-2	68110-28K40-CQP	.TAPE SET,FUEL TANK (BLUE,YELL OW)	1	BODY COLOR:YU1
2-3	68110-28K40-CQQ	.TAPE SET,FUEL TANK (GOLD,GRAY ,BLACK)	1	BODY COLOR:YVB
3-1	68111-47C10-YLF	EMBLEM (GRAY)	2	BODY COLOR:YVB
3-2	68111-47C10-019	EMBLEM (BLACK)	2	BODY COLOR:YU1,JWN
4	44200-17840	CAP SET,FUEL TANK FILLER	1	
5	44244-11J00	BOLT,FUEL TANK FILLER CAP	3	
6	44541-28K00	CUSHION,FUEL TANK SIDE	2	
7	44550-06G10	BRACKET,FUEL TANK RR	1	
8	01550-0816A	BOLT (8X16)	2	
9	44545-06G00	CUSHION,FUEL TANK RR LWR	1	
10	44542-06G00	CUSHION,FUEL TANK RR UPR	1	
11	44530-06G00	BRACKET,FUEL TANK RR UP	1	
12	01550-0835A	BOLT (8X35)	1	
13	44194-11J00	SHIELD,FUEL TANK CTR	1	
14	44154-11J00	BRACKET,FR COVER	1	
15	09139-06192	SCREW (6X25)	2	
16	44511-16G01	CUSHION,FUEL TANK FRONT	2	
17	44512-16G00	SPACER,FUEL TANK FR	2	
18	44520-11J00	BRACKET,FUEL TANK FR	1	
19	01550-0620B	BOLT	3	
20	44560-11J00	BRACKET,FR SIDE	2	
21	44543-31J01	CUSHION,FRONT SIDE BRKT	2	
22	01550-0612A	BOLT	2	
23	68241-11J01	MOLDING,FUEL TANK	2	
24	44130-28K00	BRACKET,FUEL TANK COVER,R	1	
25	09329-18001	.CUSHION	1	
26	44140-28K00	BRACKET,FUEL TANK COVER,L	1	
27	09329-18001	.CUSHION	1	

FIG.420B

FIG.420B (1-E-5) FUEL TANK (DL650XA:M4:E01)

REF NO.	PART NO.	DESCRIPTION	Q'TY	REMARKS
28	07120-0610A	BOLT	2	
29	44572-37H00	FASTENER,COWLING (20X15X0.8)	2	
30	09320-06504	CUSHION (6X18X6)	1	
31	44121-28K01	VESSEL,FUEL TANK INNER	1	
32	44423-28K01	HOSE,FUEL TANK DRAIN NO.1	1	
33	44423-11J31	HOSE,FUEL TANK DRAIN NO.2	1	
34	09367-08005	3 WAY	1	
35	09404-06030	CLAMP (L:80)	1	
36	45516-01H00	CUSHION (15X27X2)	1	
37	47122-28K00	CUSHION,FRAME COVER FR RR	2	

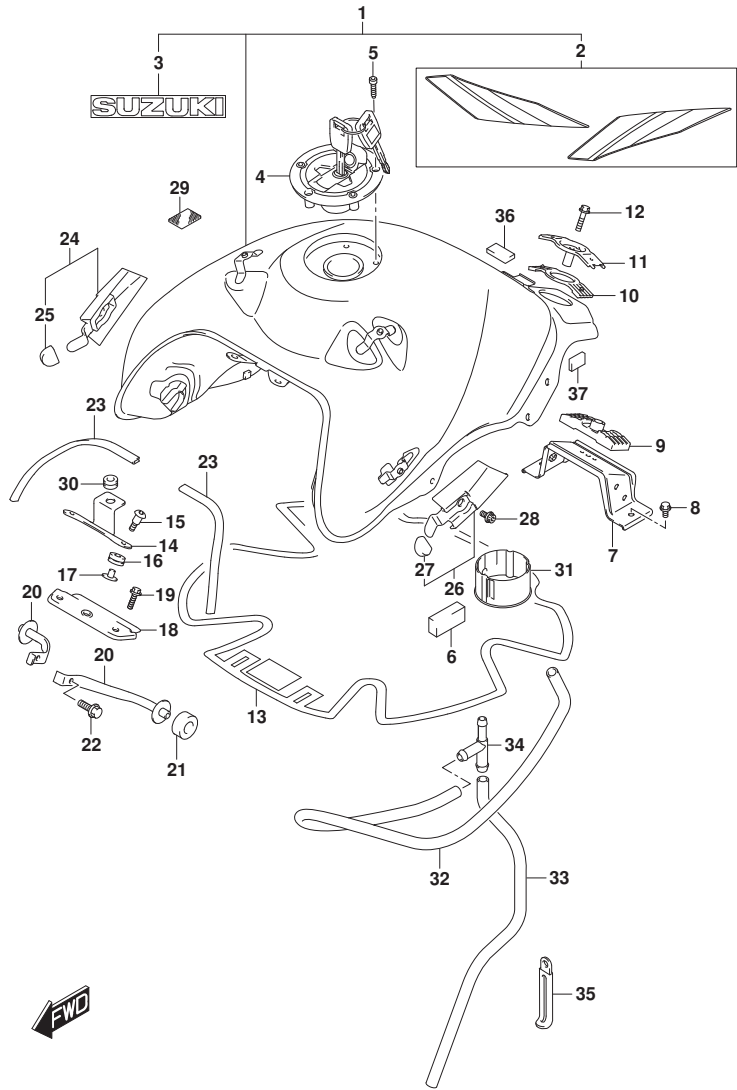


FIG.423A

FIG.423A (1-E-6) FUEL TANK COVER

REF NO.	PART NO.	DESCRIPTION	Q'TY	REMARKS
1	44190-28K00	COVER,FUEL TANK FRONT	1	
2	44261-22A00	.RUBBER,FUEL TANK FR	1	
3	44572-13G00	.FASTENER (33X25X2.6)	2	
4	68281-47HA0	.EMBLEM,S	1	
5	09139-06212	SCREW (6X13)	2	
6	09409-06314	CLIP (5.9X20.5)	2	

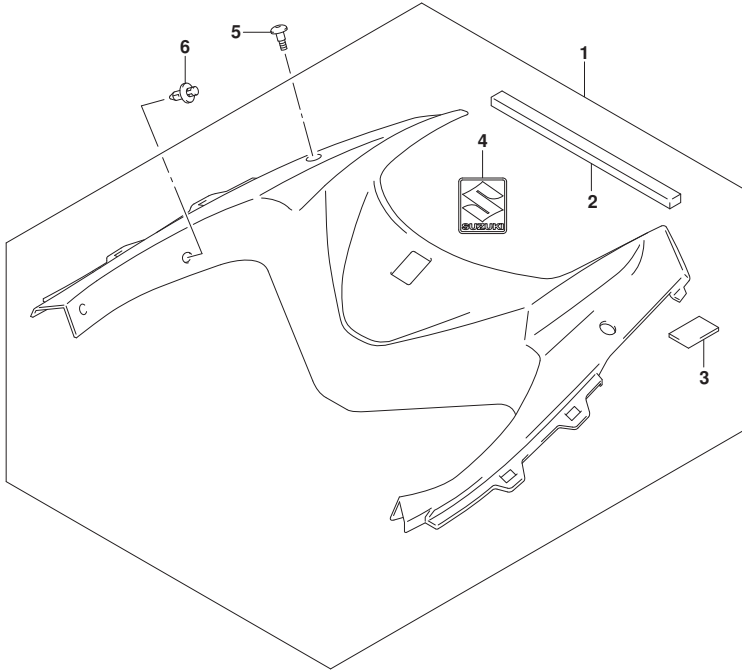


FIG.427A

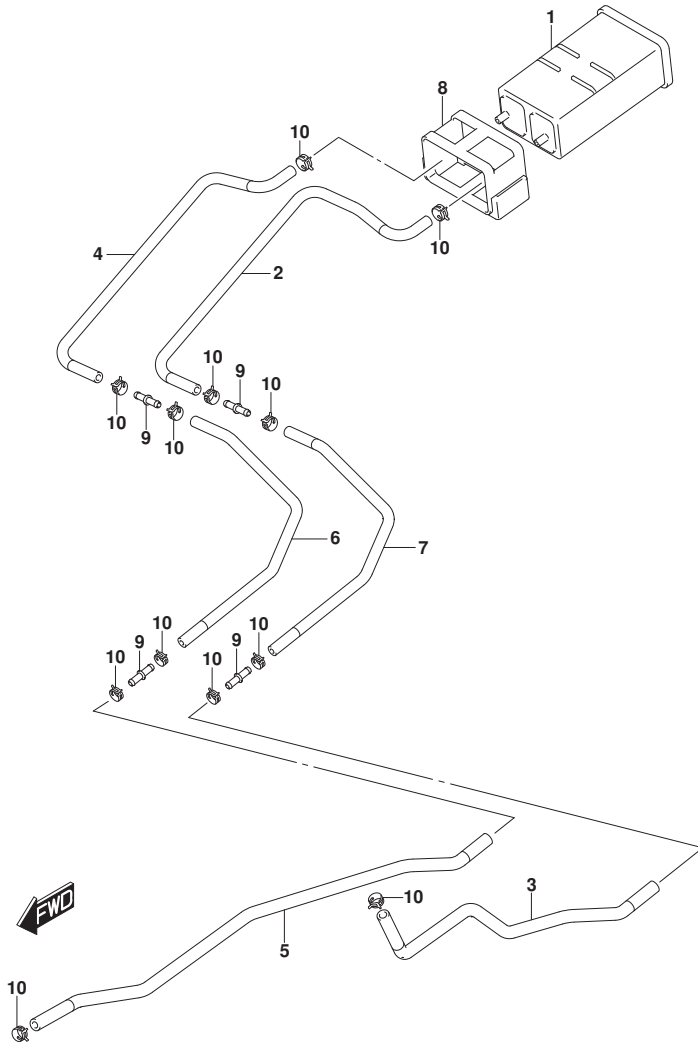


FIG.427A (1-E-7) EVAP SYSTEM

REF NO.	PART NO.	DESCRIPTION	Q'TY	REMARKS
1	18560-31J00	CANISTER ASSY,CHARCOAL	1	
2	18561-28K00	HOSE,SURGE NO.1	1	
3	18562-28K00	HOSE,SURGE NO.2	1	
4	18563-28K00	HOSE,PURGE NO.1	1	
5	18564-28K00	HOSE,PURGE NO.2	1	
6	18565-28K00	HOSE,EVAP	1	
7	18566-28K00	HOSE,EVAP	1	
8	18571-31J00	CUSHION,CANISTER	1	
9	09367-06009	JOINT	4	
10	09401-11413	CLIP (ID:11,H:8)	12	

FIG.445A

FIG.445A (1-E-8) FRAME COVER

REF NO.	PART NO.	DESCRIPTION	Q'TY	REMARKS
1	47110-28K10	COVER,FRAME,R	1	
2	47121-28K00	.CUSHION,FRAME COVER FR FR	1	
3	47210-28K00	COVER,FRAME,L	1	
4	47121-28K00	.CUSHION,FRAME COVER FR FR	1	
5	47411-31J10	COVER,FRAME REAR,R	1	
6	47511-31J10	COVER,FRAME REAR,L	1	
7	09139-06211	SCREW (6X20)	2	
8	09320-09016	CUSHION (9X18X9.5)	2	
9	09409-10313	CLIP	4	
10	47913-31J00	SCREW (6X12)	6	
11	09320-20011	CUSHION (20X32X9)	2	
12	09139-06120	SCREW (6X16)	4	
13	47510-28K00	SPACER,FRAME COVER	2	
14	09321-10001	CUSHION	2	
15	09409-06328	CLIP	3	
16	47123-28K00	CUSHION,FRAME COVER	2	

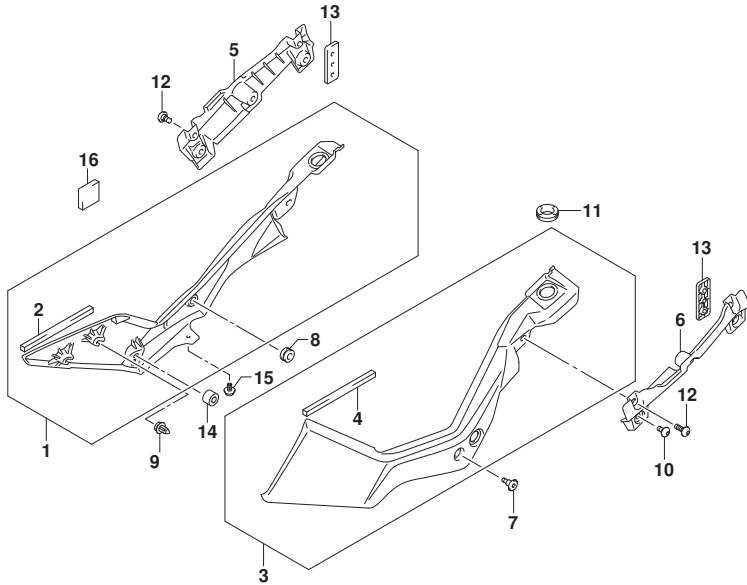


FIG.460A

FIG.460A (1-E-9) FRONT FENDER

REF NO.	PART NO.	DESCRIPTION	QTY	REMARKS
1	53110-28K00-291	FENDER,FR (BLACK)	1	
2	53121-28K00	.TAPE,FR FENDER (11X20X0.3)	2	
3	45241-17K10	BOLT	2	
4	53122-06G00	NUT,FR FENDER	2	
5	09106-06122	BOLT (6X30)	2	
6	53121-33E00	WASHER (8.5X16X3.4)	2	

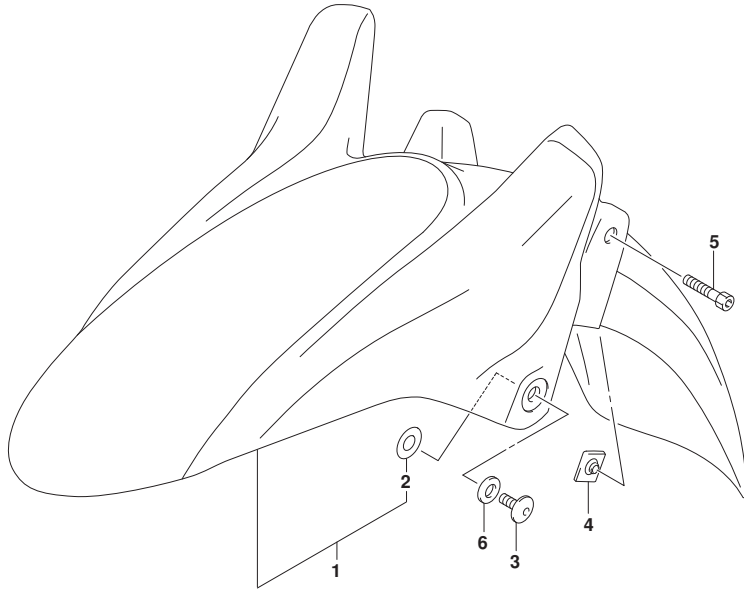


FIG.462A

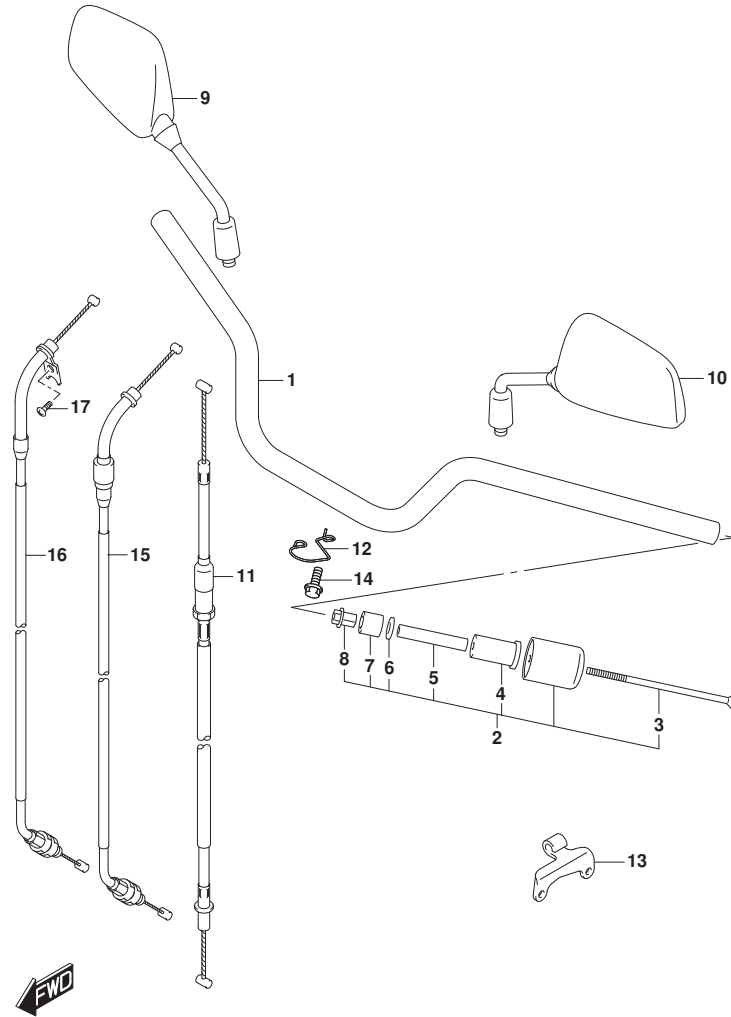


FIG.462A (1-E-10) HANDLEBAR (DL650A:M4:E01)

REF NO.	PART NO.	DESCRIPTION	Q'TY	REMARKS
1	56111-28K00-YUS	HANDLEBAR (SILVER)	1	
2	56200-16843	BALANCER SET,HANDLEBAR	2	
3	09127-06018	.SCREW (6X110)	2	
4	56272-06G00	.EXPANDER,HANDLE BALANCER	2	
5	56276-17D00	.SPACER,EXPANDER	2	
6	09160-06131	.WASHER (6.5X16X4)	2	
7	56272-10G01	.EXPANDER,HANDLE BALANCER	2	
8	56273-10G10	.NUT,HANDLE BALANCER	2	
9	56500-04F30	MIRROR ASSY,RR VIEW,R	1	
10	56600-04F30	MIRROR ASSY,RR VIEW,L	1	
11	58200-11J00	CABLE ASSY,CLUTCH	1	
12	58631-11J10	GUIDE,CLUTCH CABLE	1	
13	58634-44H00	STOPPER,CLUTCH CABLE	1	
14	01547-0612A	BOLT	1	
15	58300-11J01	CABLE ASSY,THROTTLE NO.1	1	
16	58300-11J11	CABLE ASSY,THROTTLE NO.2	1	
17	09125-05042	SCREW (5X10)	1	

FIG.462B

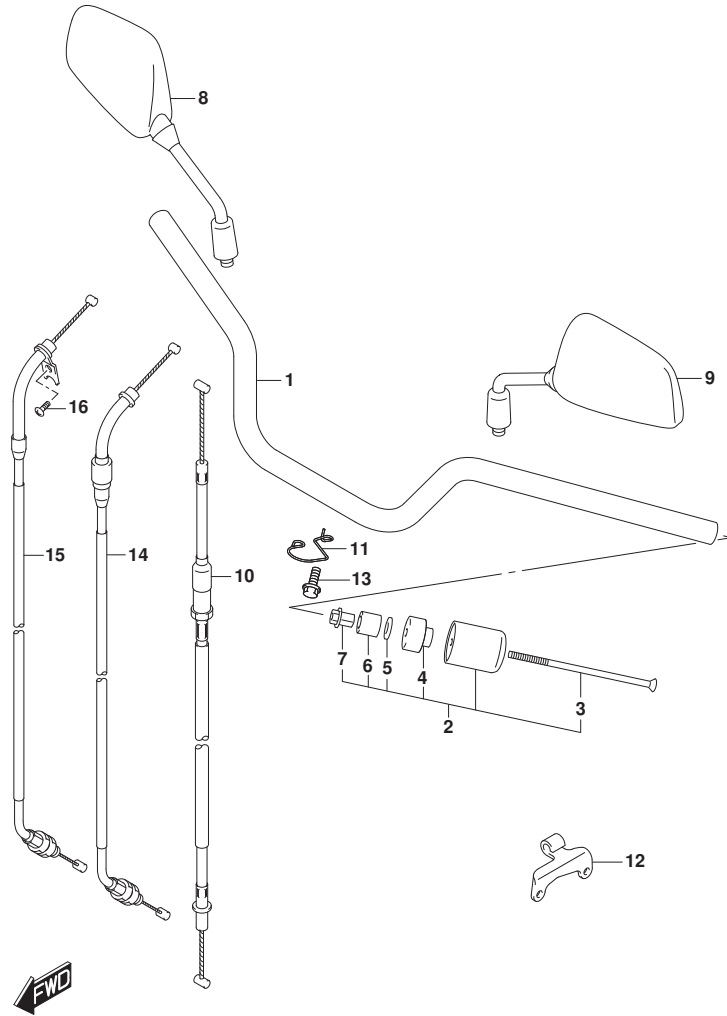


FIG.462B (1-E-11) HANDLEBAR (DL650XA:M4:E01)

REF NO.	PART NO.	DESCRIPTION	Q'TY	REMARKS
1	56111-28K00-YUS	HANDLEBAR (SILVER)	1	
2	56200-32861	BALANCER SET,HANDLEBAR	2	
3	02122-0680B	.SCREW	2	
4	57346-14G00	.SPACER, KNUCKLE COVER	2	
5	09160-06131	.WASHER (6.5X16X4)	2	
6	56272-10G01	.EXPANDER,HANDLE BALANCER	2	
7	56273-10G10	.NUT,HANDLE BALANCER	2	
8	56500-04F30	MIRROR ASSY,RR VIEW,R	1	
9	56600-04F30	MIRROR ASSY,RR VIEW,L	1	
10	58200-11J00	CABLE ASSY,CLUTCH	1	
11	58631-11J10	GUIDE,CLUTCH CABLE	1	
12	58634-44H00	STOPPER,CLUTCH CABLE	1	
13	01547-0612A	BOLT	1	
14	58300-11J01	CABLE ASSY,THROTTLE NO.1	1	
15	58300-11J11	CABLE ASSY,THROTTLE NO.2	1	
16	09125-05042	SCREW (5X10)	1	

FIG.467A

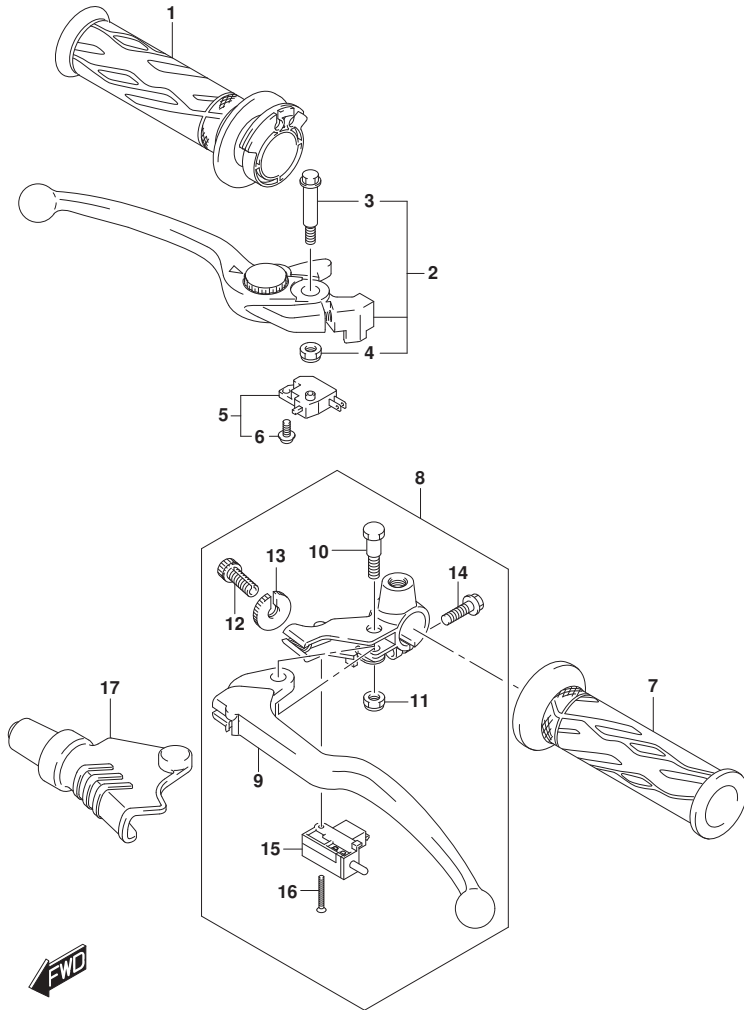


FIG.467A (1-E-12) HANDLE LEVER (DL650A:M4:E01)

REF NO.	PART NO.	DESCRIPTION	Q'TY	REMARKS
1	57110-21H02	GRIP,THROTTLE	1	
2	57300-44G12	LEVER ASSY,FR BRAKE	1	
3	57431-17H02	.BOLT,LEVER PIVOT	1	
4	08319-2106A	.NUT	1	
5	57460-14J02	SWITCH ASSY,FR BRAKE	1	
6	57465-17C00	.SCREW,WITH WASHER (4X12)	1	
7	57211-21H01	GRIP,L	1	
8	57500-25D04	LEVER ASSY,CLUTCH	1	
9	57621-33E01	.LEVER,CLUTCH	1	
10	57431-21D11	.BOLT,LEVER PIVOT	1	
11	08319-2106A	.NUT	1	
12	57441-45C01	.ADJUSTER,WIRE	1	
13	57442-45C01	.NUT,LOCK	1	
14	01547-0620B	.BOLT	1	
15	57560-05A00	.SWITCH,CLUTCH	1	
16	57562-41G01	.SCREW,CLUTCH SWITCH	1	
17	57661-33E01	COVER,CLUTCH LEVER	1	

FIG.467B

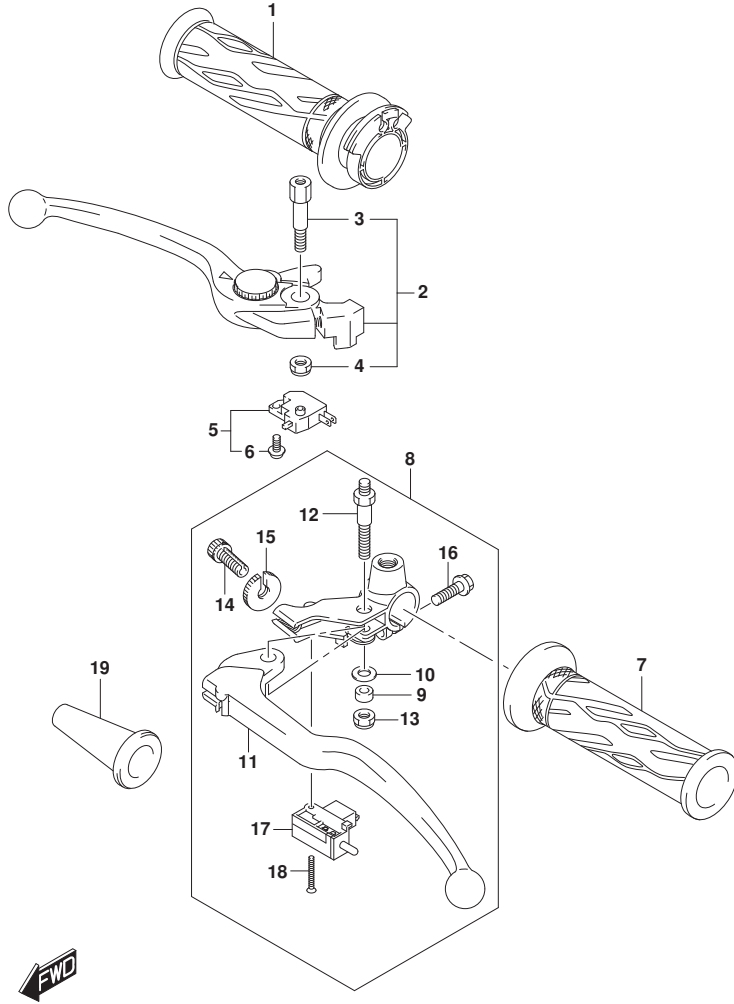


FIG.467B (1-E-13) HANDLE LEVER (DL650XA:M4:E01)

REF NO.	PART NO.	DESCRIPTION	Q'TY	REMARKS
1	57110-21H02	GRIP,THROTTLE	1	
2	57300-06G20	LEVER ASSY,BRAKE	1	
3	57431-06GA0	.BOLT,BRAKE LEVER PIVOT	1	
4	08319-2106A	.NUT	1	
5	57460-14J02	SWITCH ASSY,FR BRAKE	1	
6	57465-17C00	.SCREW,WITH WASHER (4X12)	1	
7	57211-21H01	GRIP,L	1	
8	57500-25D22	LEVER ASSY,CLUTCH	1	
9	09180-06346	.SPACER (6.5X10X8)	1	
10	08322-0106B	.WASHER	1	
11	57621-33E01	.LEVER,CLUTCH	1	
12	57531-10D20	.BOLT,CLUTCH LEVER PIVOT	1	
13	08319-2106A	.NUT	1	
14	57441-45C01	.ADJUSTER,WIRE	1	
15	57442-45C01	.NUT,LOCK	1	
16	01547-0620B	.BOLT	1	
17	57560-05A00	.SWITCH,CLUTCH	1	
18	57562-41G01	.SCREW,CLUTCH SWITCH	1	
19	58273-31001	BOOT,CLUTCH CABLE	1	

FIG.472A

FIG.472A (1-E-14) KNUCKLE COVER (DL650XA:M4:E01)

REF NO.	PART NO.	DESCRIPTION	Q'TY	REMARKS
1	57341-27G02-291	COVER,KNUCKLE,R (BLACK)	1	
2	57541-27G01-291	COVER,KNUCKLE,L (BLACK)	1	
3	09160-06130	WASHER (6.5X16X1.6)	5	
4	02142-0612B	SCREW	1	
5	08313-1006B	NUT	1	
6	08319-2106B	NUT	2	

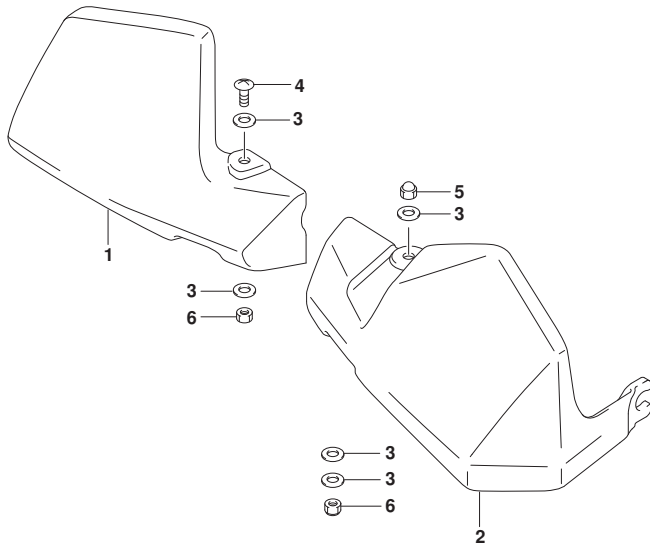


FIG.474A

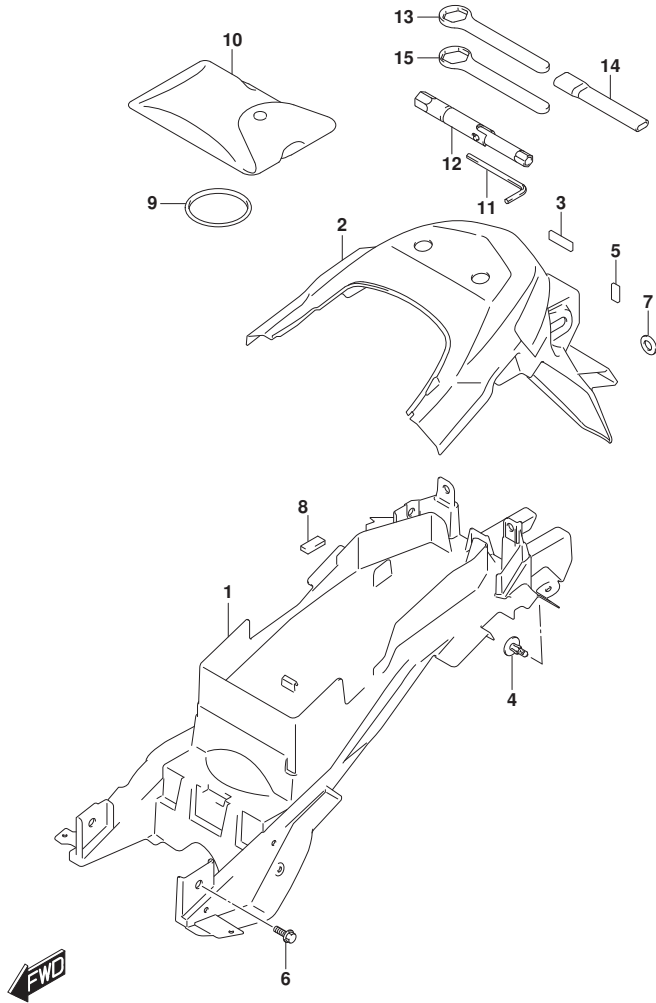


FIG.474A (1-E-15) REAR FENDER

REF NO.	PART NO.	DESCRIPTION	Q'TY	REMARKS
1	63111-28K00	FENDER,REAR FRONT	1	
2	63112-28K00	FENDER,REAR REAR	1	
3	33652-47F00	CUSHION (10X30X6)	1	
4	94479-35F00	CLIP	2	
5	94612-31F00	CUSHION (5X10X1.5)	4	
6	09116-06181	BOLT (6X13)	4	
7	08322-0106B	WASHER	2	
8	94633-31J00	CUSHION (16X30X3.5)	1	
9	09280-63003	O-RING (D:3.5,ID:62.6)	1	
10	09800-21102	TOOL ASSY	1	
11	09816-00059	SPANNER,HEXAGON (5)	1	
12	09816-00149	SPANNER,BOX (16)	1	
13	09817-00035	SPANNER,RING (22)	1	
14	09817-00037	HANDLE,RING SPANNER	1	
15	09817-00039	SPANNER,RING (24)	1	

FIG.481A

FIG.481A (1-E-16) COWLING BODY (DL650A:M4:E01)

REF NO.	PART NO.	DESCRIPTION	Q'TY	REMARKS
1	48410-28K00	WINDSCREEN	1	
2	48412-28K00	.COVER,WINDSCREEN	1	
3	73415-70A00	.PAD (8X20X2)	4	
4	48414-31J00	CAP,WINDSCREEN SCREW	4	
5	09139-06211	SCREW (6X20)	4	
6	09320-09016	CUSHION (9X18X9.5)	4	
7	08322-0110B	WASHER	4	
8	94411-28K00	COWLING,BODY	1	
9	94630-28K00	PANEL,METER	1	
10	73415-70A00	.PAD (8X20X2)	3	
11	09320-08028	.CUSHION (8X26X7)	1	
12	09139-06126	SCREW (6X20)	4	
13	09148-05038	NUT (M5)	8	
14	09148-06020	NUT (M6)	4	
15	09320-09016	CUSHION (9X18X9.5)	4	
16	09409-06314	CLIP (5.9X20.5)	4	
17	03541-0512A	SCREW	4	
18	34189-08J01	CUSHION,SPEEDOMETER	1	
19	94510-28K00	BRACE,COWLING	1	
20	09320-08028	CUSHION (8X26X7)	2	
21	01550-0820A	BOLT (8X20)	2	
22-1	94402-28K00-YKV	COWLING,BODY LOWER (BLACK)	1	BODY COLOR:YKY,YUH
22-2	94402-28K00-QRE	COWLING,BODY LOWER (ORANGE)	1	BODY COLOR:YUD
22-3	94402-28K00-YKY	COWLING,BODY LOWER (BLUE)	1	BODY COLOR:YVB
23	73415-70A00	.PAD (8X20X2)	2	
24	09148-05052	.NUT (M5)	2	

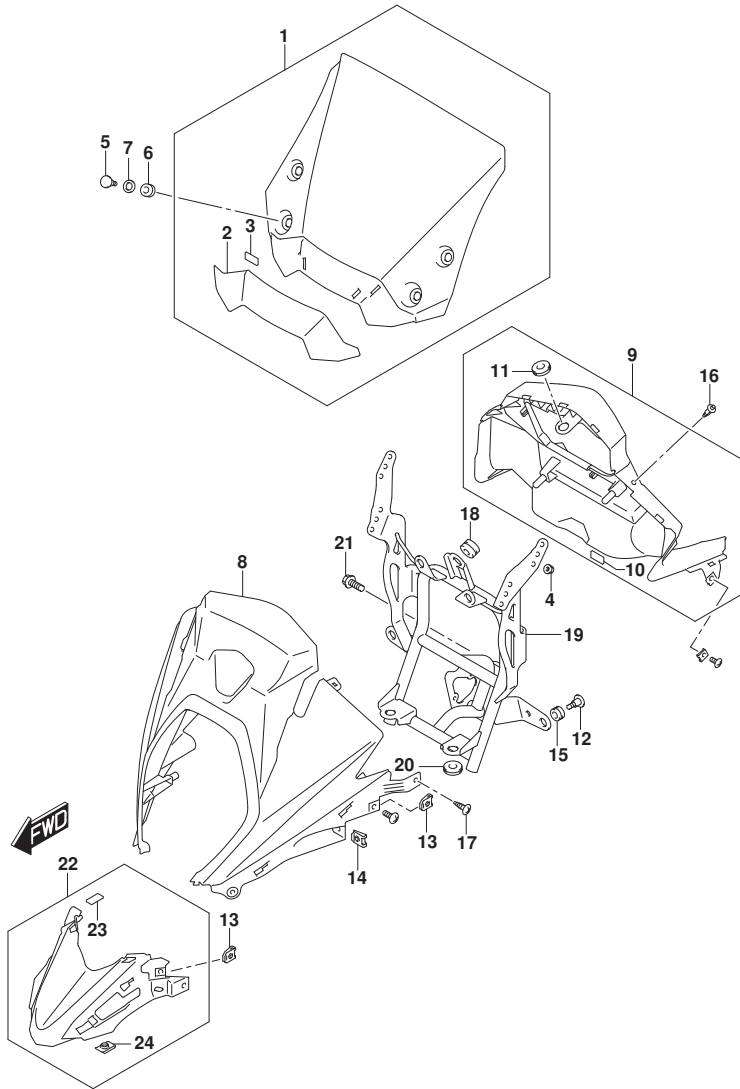


FIG.481B

FIG.481B (1-F-2) COWLING BODY (DL650XA:M4:E01)

REF NO.	PART NO.	DESCRIPTION	Q'TY	REMARKS
1	48410-28K00	WINDSCREEN	1	
2	48412-28K00	.COVER,WINDSCREEN	1	
3	73415-70A00	.PAD (8X20X2)	4	
4	48414-31J00	CAP,WINDSCREEN SCREW	4	
5	09139-06211	SCREW (6X20)	4	
6	09320-09016	CUSHION (9X18X9.5)	4	
7	08322-0110B	WASHER	4	
8	94411-28K00	COWLING,BODY	1	
9	94630-28K00	PANEL,METER	1	
10	73415-70A00	.PAD (8X20X2)	3	
11	09320-08028	.CUSHION (8X26X7)	1	
12	09139-06126	SCREW (6X20)	4	
13	09148-05038	NUT (M5)	8	
14	09148-06020	NUT (M6)	4	
15	09320-09016	CUSHION (9X18X9.5)	4	
16	09409-06314	CLIP (5.9X20.5)	4	
17	03541-0512A	SCREW	4	
18	34189-08J01	CUSHION,SPEEDOMETER	1	
19	94510-28K00	BRACE,COWLING	1	
20	09320-08028	CUSHION (8X26X7)	2	
21	01550-0820A	BOLT (8X20)	2	
22-1	94402-28K00-QSY	COWLING,BODY LOWER (GOLD)	1	BODY COLOR:YVB
22-2	94402-28K00-YKV	COWLING,BODY LOWER (BLACK)	1	BODY COLOR:JWN
22-3	94402-28K00-YKY	COWLING,BODY LOWER (BLUE)	1	BODY COLOR:YU1
23	73415-70A00	.PAD (8X20X2)	2	
24	09148-05052	.NUT (M5)	2	

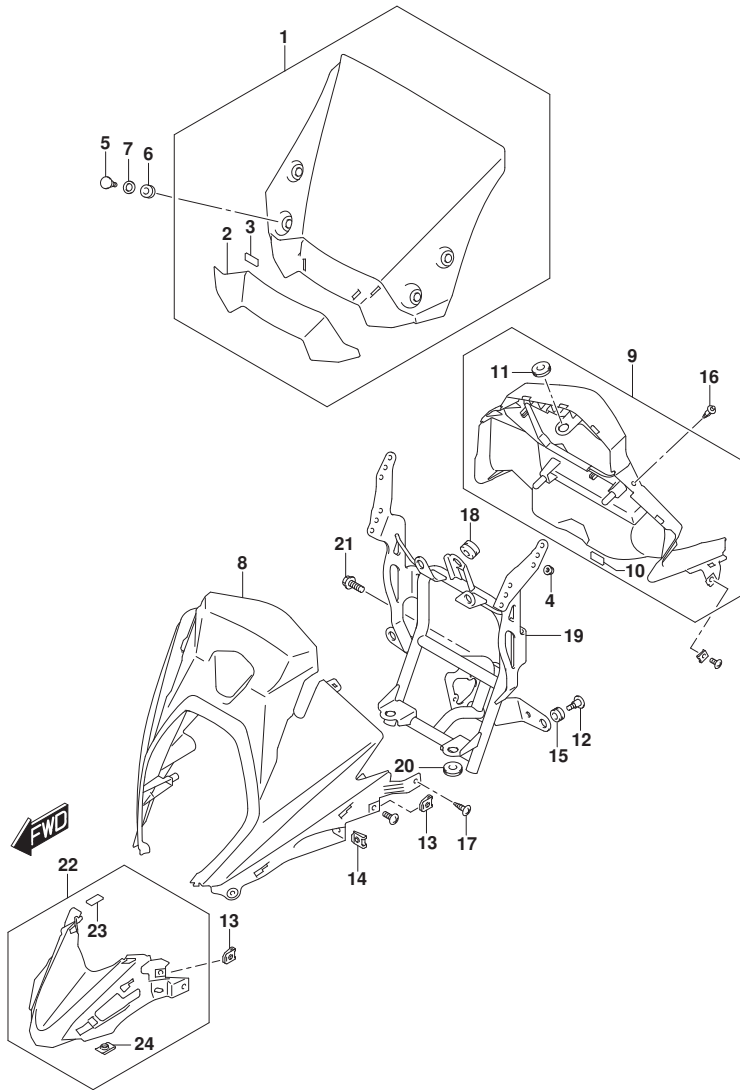


FIG.483A

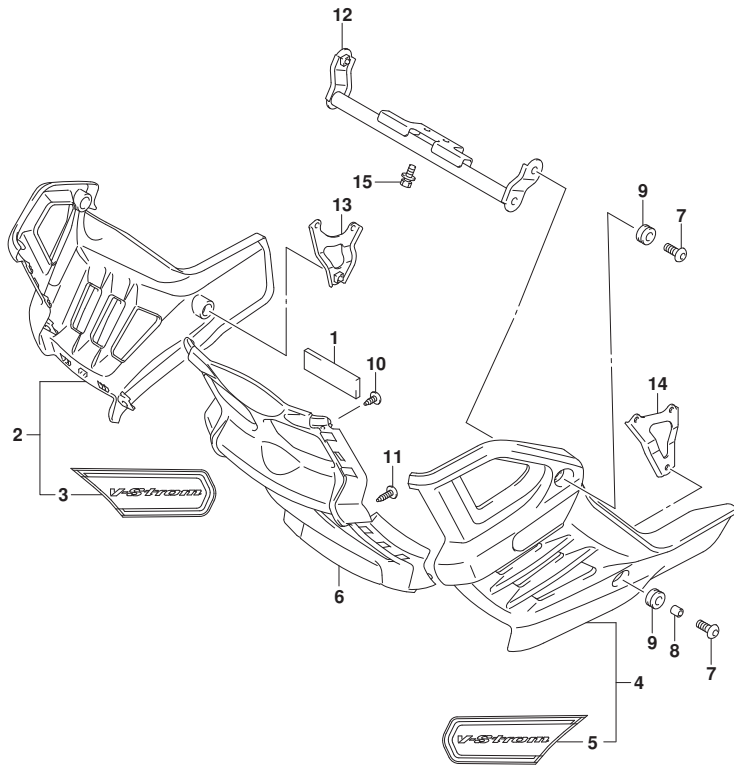


FIG.483A (1-F-3) UNDER COWLING (DL650XA:M4:E01)

REF NO.	PART NO.	DESCRIPTION	Q'TY	REMARKS
1	47612-44H00	CUSHION,FRAME COVER LWR NO.1	1	
2	94470-11J00-291	UNDER COWL,R (BLACK)	1	
3	68181-11J00	.EMBLEM,UNDER COWLING,R	1	
4	94480-11J00-291	UNDER COWL,L (BLACK)	1	
5	68191-11J00	.EMBLEM,UNDER COWLING,L	1	
6	94491-11J00-291	COWLING,UNDER CTR (BLACK)	1	
7	09139-06139	SCREW (6X16)	4	
8	09180-06263	SPACER (6.5X9X9)	4	
9	09320-09016	CUSHION (9X18X9.5)	4	
10	03541-0510B	SCREW	2	
11	03541-0516B	SCREW	4	
12	94520-11J00	BRACKET,UNDER COWLING FR	1	
13	94530-11J00	BRACKET,UNDER COWLING,R	1	
14	94540-11J00	BRACKET,UNDER COWLING,L	1	
15	09116-06006	BOLT (6X16)	2	



FIG.485A

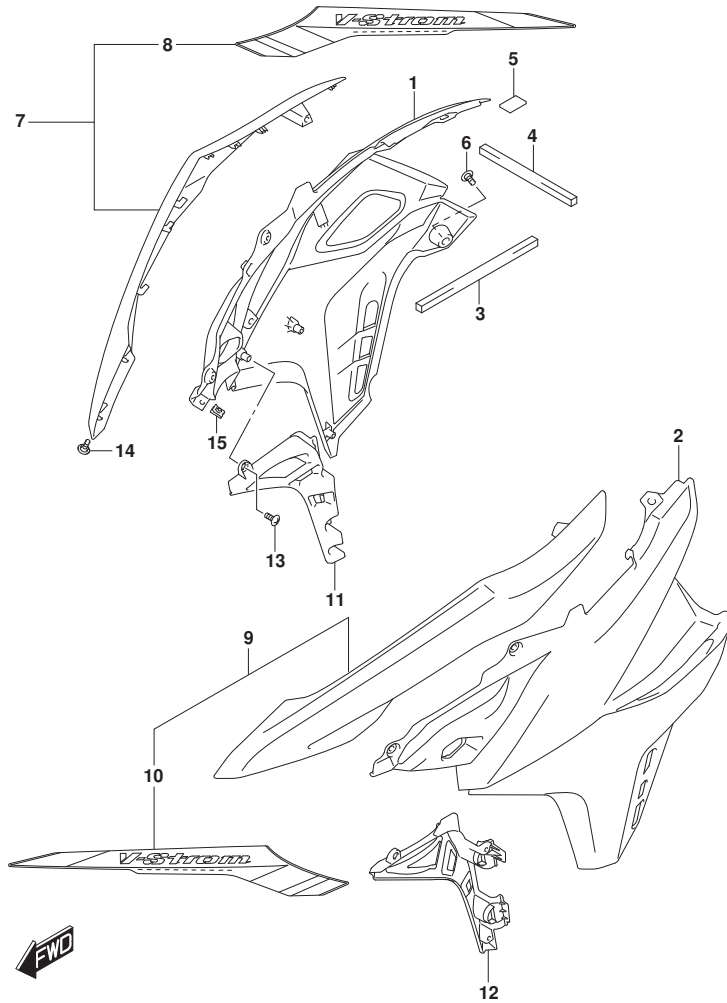


FIG.485A (1-F-4) SIDE COWLING (DL650A:M4:E01)(SEE NOTE 1)

REF NO.	PART NO.	DESCRIPTION	Q'TY	REMARKS
1	94413-28K00	COVER,SIDE COWL,R	1	
2	94414-28K00	COVER,SIDE COWL,L	1	
3	44176-31J00	CUSHION (5X120X6)	2	
4	44178-31J00	CUSHION (5X180X5)	2	
5	47829-10F00	CUSHION,METER COVER REAR (10X2 0X4)	2	CUT AS REQUIRED
6	47913-31J00	SCREW (6X12)	2	
7-1	94420-28KA0-YKY	COVER,SIDE COWL,R (BLUE)	1	BODY COLOR:YKY
7-2	94420-28KA0-YUD	COVER,SIDE COWL,R (GRAY)	1	BODY COLOR:YUD
7-3	94420-28KA0-YVB	COVER,SIDE COWL,R (BLACK)	1	BODY COLOR:YVB
8-1	68275-28KA0-BUA	.TAPE,COVER SIDE,R (SILVER,BLA CK,BLUE)	1	BODY COLOR:YKY
8-2	68275-28KA0-CHP	.TAPE,COVER SIDE,R (GRAY,BLUE, BLACK)	1	BODY COLOR:YVB
8-3	68275-28KA0-CQR	.TAPE,COVER SIDE,R (ORANGE,BLA CK,GRAY)	1	BODY COLOR:YUD
9-1	94430-28KA0-YKY	COVER,SIDE COWL,L (BLUE)	1	BODY COLOR:YKY
9-2	94430-28KA0-YUD	COVER,SIDE COWL,L (GRAY)	1	BODY COLOR:YUD
9-3	94430-28KA0-YVB	COVER,SIDE COWL,L (BLACK)	1	BODY COLOR:YVB
10-1	68285-28KA0-BUA	.TAPE,COVER SIDE,L (SILVER,BLA CK,BLUE)	1	BODY COLOR:YKY
10-2	68285-28KA0-CHP	.TAPE,COVER SIDE,L (GRAY,BLUE, BLACK)	1	BODY COLOR:YVB
10-3	68285-28KA0-CQR	.TAPE,COVER SIDE,L (ORANGE,BLA CK,GRAY)	1	BODY COLOR:YUD
11	94461-28K00	COVER,SIDE COWL INNER,R	1	
12	94462-28K00	COVER,SIDE COWL INNER,L	1	
13	03541-0512A	SCREW	10	
14	09139-05091	SCREW (5X13)	4	
15	09148-05052	NUT (M5)	2	

NOTE 1:
FOR YKY,YUD,YVB

FIG.485B

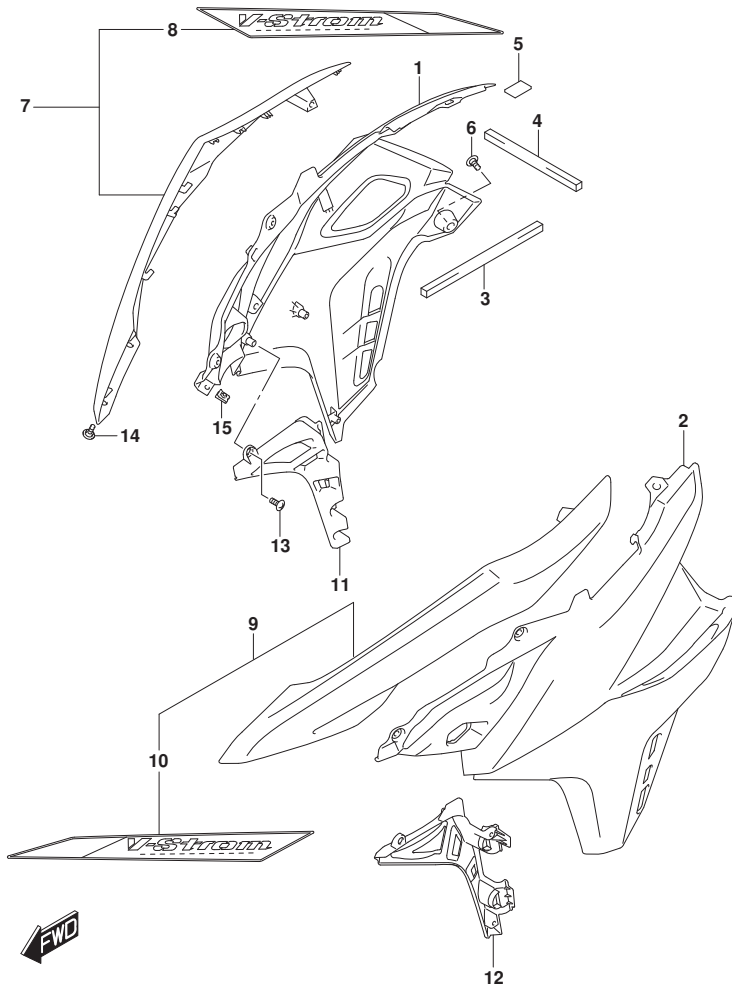


FIG.485B (1-F-5) SIDE COWLING (DL650XA:M4:E01)

REF NO.	PART NO.	DESCRIPTION	Q'TY	REMARKS
1	94413-28K00	COVER,SIDE COWL,R	1	
2	94414-28K00	COVER,SIDE COWL,L	1	
3	44176-31J00	CUSHION (5X120X6)	2	
4	44178-31J00	CUSHION (5X180X5)	2	
5	47829-10F00	CUSHION,METER COVER REAR (10X2 0X4)	2	CUT AS REQUIRED
6	47913-31J00	SCREW (6X12)	2	
7-1	94420-28K90-YKY	COVER,SIDE COWL,R (BLUE)	1	BODY COLOR:JWN
7-2	94420-28K90-YU1	COVER,SIDE COWL,R (YELLOW)	1	BODY COLOR:YU1
7-3	94420-28K90-YVB	COVER,SIDE COWL,R (BLACK)	1	BODY COLOR:YVB
8-1	68275-28K90-CGN	.TAPE,COVER SIDE,R (WHITE,BLAC K,BLUE)	1	BODY COLOR:JWN
8-2	68275-28K90-CQP	.TAPE,COVER SIDE,R (BLUE,YELLO W)	1	BODY COLOR:YU1
8-3	68275-28K90-CQQ	.TAPE,COVER SIDE,R (GOLD,GRAY, BLACK)	1	BODY COLOR:YVB
9-1	94430-28K90-YKY	COVER,SIDE COWL,L (BLUE)	1	BODY COLOR:JWN
9-2	94430-28K90-YU1	COVER,SIDE COWL,L (YELLOW)	1	BODY COLOR:YU1
9-3	94430-28K90-YVB	COVER,SIDE COWL,L (BLACK)	1	BODY COLOR:YVB
10-1	68285-28K90-CGN	.TAPE,COVER SIDE,L (WHITE,BLAC K,BLUE)	1	BODY COLOR:JWN
10-2	68285-28K90-CQP	.TAPE,COVER SIDE,L (BLUE,YELLO W)	1	BODY COLOR:YU1
10-3	68285-28K90-CQQ	.TAPE,COVER SIDE,L (GOLD,GRAY, BLACK)	1	BODY COLOR:YVB
11	94461-28K00	COVER,SIDE COWL INNER,R	1	
12	94462-28K00	COVER,SIDE COWL INNER,L	1	
13	03541-0512A	SCREW	10	
14	09139-05091	SCREW (5X13)	4	
15	09148-05052	NUT (M5)	2	

FIG.485C

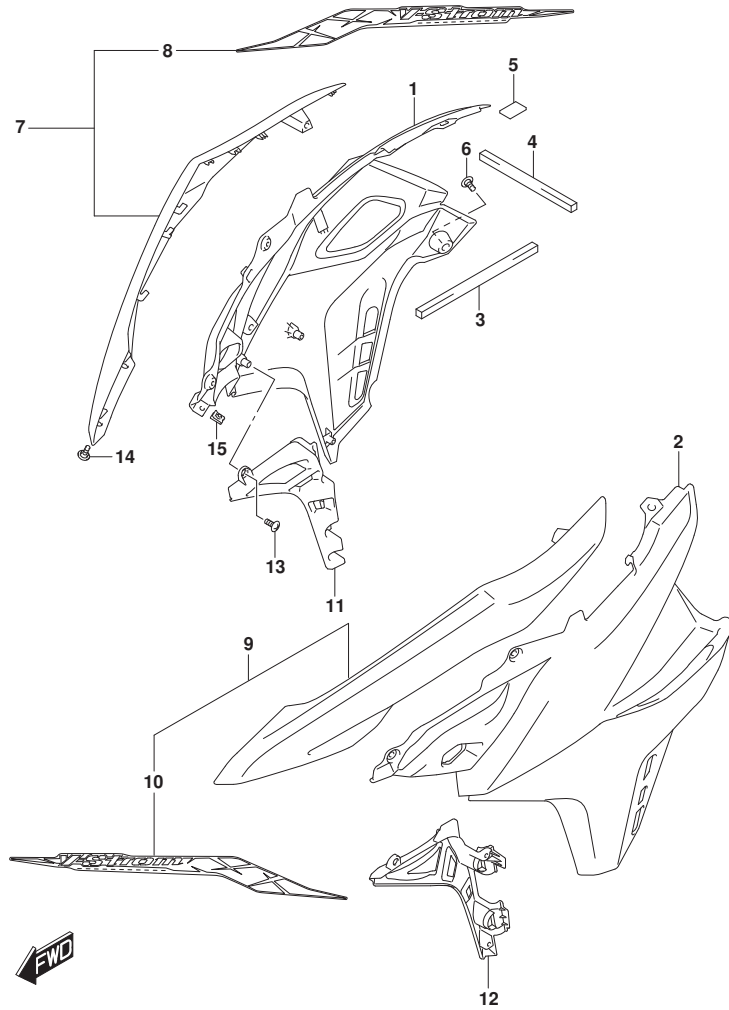


FIG.485C (1-F-6) SIDE COWLING (DL650A:M4:E01)(SEE NOTE 1)

REF NO.	PART NO.	DESCRIPTION	Q'TY	REMARKS
1	94413-28K00	COVER,SIDE COWL,R	1	
2	94414-28K00	COVER,SIDE COWL,L	1	
3	44176-31J00	CUSHION (5X120X6)	2	
4	44178-31J00	CUSHION (5X180X5)	2	
5	47829-10F00	CUSHION,METER COVER REAR (10X2 0X4)	2	CUT AS REQUIRED
6	47913-31J00	SCREW (6X12)	2	
7	94420-28K80-YUH	COVER,SIDE COWL,R (WHITE)	1	
8	68275-28K80-B5Z	.TAPE,COVER SIDE,R (WHITE,BLUE)	1	
9	94430-28K80-YUH	COVER,SIDE COWL,L (WHITE)	1	
10	68285-28K80-B5Z	.TAPE,COVER SIDE,L (WHITE,BLUE)	1	
11	94461-28K00	COVER,SIDE COWL INNER,R	1	
12	94462-28K00	COVER,SIDE COWL INNER,L	1	
13	03541-0512A	SCREW	10	
14	09139-05091	SCREW (5X13)	4	
15	09148-05052	NUT (M5)	2	

NOTE 1:
FOR YUH

FIG.496A

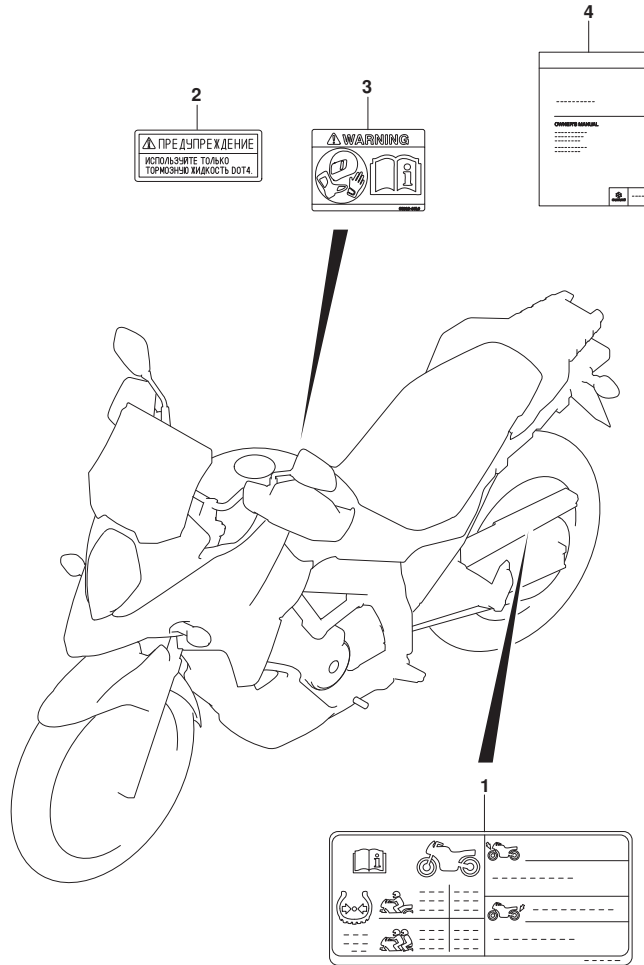


FIG.496A (1-F-7) LABEL

REF NO.	PART NO.	DESCRIPTION	Q'TY	REMARKS
1	68332-28K01	LABEL,TIRE INFORMATION	1	
2	68386-14J01	LABEL,BRAKE FLUID INFORMATION	2	
3-1	68319-06L00	LABEL,GENERAL WARNING	1	ENGLISH
3-2	68319-06L30	LABEL,GENERAL WARNING	1	FRENCH
3-3	68319-06L50	LABEL,GENERAL WARNING	1	SPANISH
3-4	68319-06L40	LABEL,GENERAL WARNING	1	ITALIAN
3-5	68319-06LP0	LABEL,GENERAL WARNING	1	RUSSIAN
3-6	68319-06L70	LABEL,GENERAL WARNING	1	DUTCH
3-7	68319-06L80	LABEL,GENERAL WARNING	1	PORTUGUESE
4-1	99011-28K57-01E	MANUAL,OWNER'S	1	ITALIAN
4-2	99011-28K57-01F	MANUAL,OWNER'S	1	FRENCH
4-3	99011-28K57-01H	MANUAL,OWNER'S	1	DUTCH
4-4	99011-28K57-01K	MANUAL,OWNER'S	1	GERMAN
4-5	99011-28K57-01A	MANUAL,OWNER'S	1	ENGLISH
4-6	99011-28K57-029	MANUAL,OWNER'S	1	SPANISH
4-7	99011-28K57-070	MANUAL,OWNER'S	1	RUSSIAN

FIG.505A

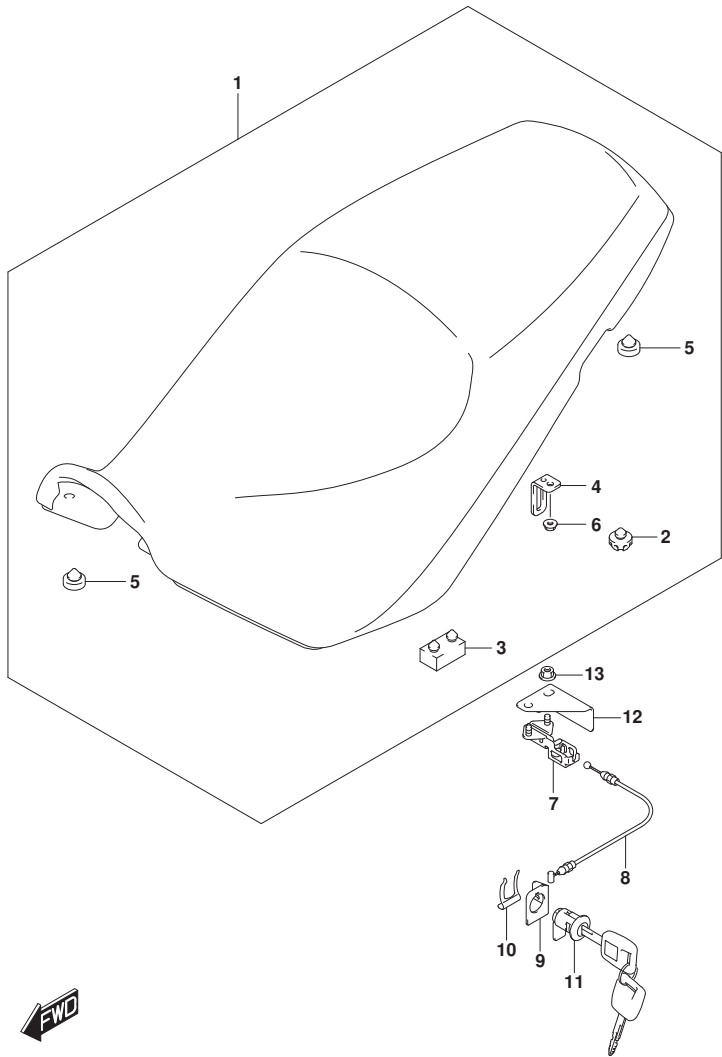


FIG.505A (1-F-8) SEAT (DL650A:M4:E01)

REF NO.	PART NO.	DESCRIPTION	Q'TY	REMARKS
1	45100-28K01-BGP	SEAT ASSY (BLACK,GRAY)	1	
2	45148-20G90	.CUSHION	2	
3	09321-08006	.CUSHION	4	
4	45212-18K00	.STRIKER,SEAT LOCK	1	
5	45148-28K00	.CUSHION	4	
6	08316-1006A	.NUT (6X12)	1	
7	45220-04K20	BRACKET,STRIKER SUPPORT	1	
8	45280-28K00	CABLE,SEAT LOCK	1	
9	45288-14F00	GUIDE,SEAT LOCK CABLE	1	
10	45289-28K00	PLATE,SEAT LOCK ASSY	1	
11	95700-14810	LOCK SET,SEAT	1	
12	45288-28K00	GUARD,SEAT LOCK	1	
13	08316-1006A	NUT (6X12)	2	

FIG.505B

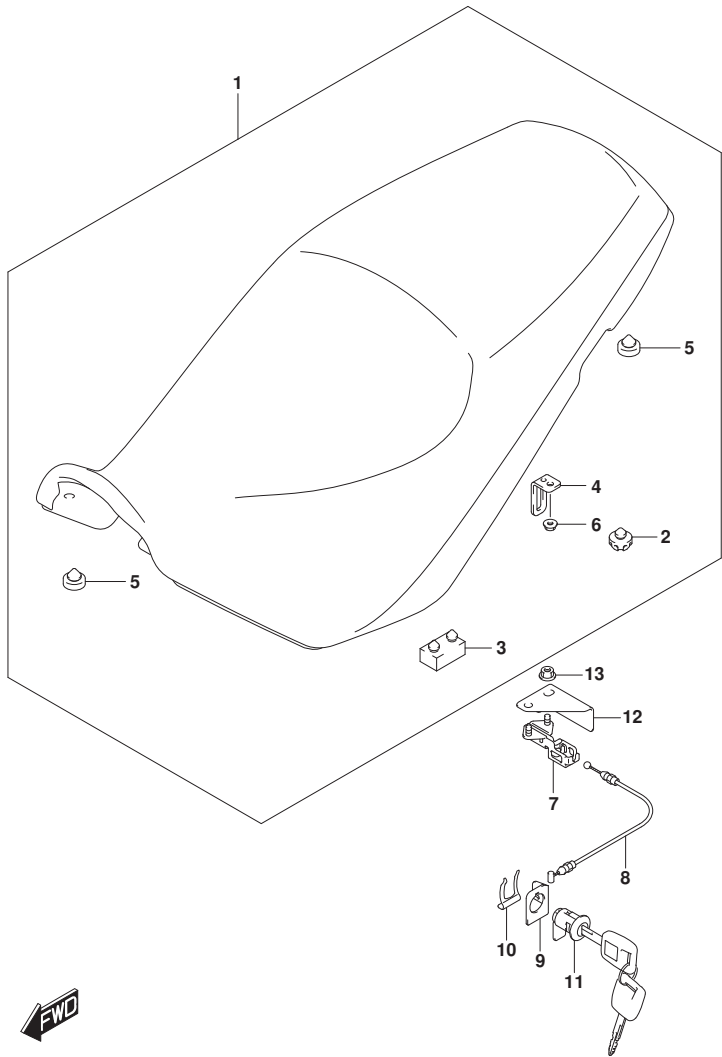


FIG.505B (1-F-9) SEAT (DL650XA:M4:E01)

REF NO.	PART NO.	DESCRIPTION	Q'TY	REMARKS
1-1	45100-28K01-BGP	SEAT ASSY (BLACK,GRAY)	1	BODY COLOR:YVB
1-2	45100-28K01-CQM	SEAT ASSY (BLUE,BLACK,GRAY)	1	BODY COLOR:YU1,JWN
2	45148-20G90	.CUSHION	2	
3	09321-08006	.CUSHION	4	
4	45212-18K00	.STRIKER,SEAT LOCK	1	
5	45148-28K00	.CUSHION	4	
6	08316-1006A	.NUT (6X12)	1	
7	45220-04K20	BRACKET,STRIKER SUPPORT	1	
8	45280-28K00	CABLE,SEAT LOCK	1	
9	45288-14F00	GUIDE,SEAT LOCK CABLE	1	
10	45289-28K00	PLATE,SEAT LOCK ASSY	1	
11	95700-14810	LOCK SET,SEAT	1	
12	45288-28K00	GUARD,SEAT LOCK	1	
13	08316-1006A	NUT (6X12)	2	

FIG.521A

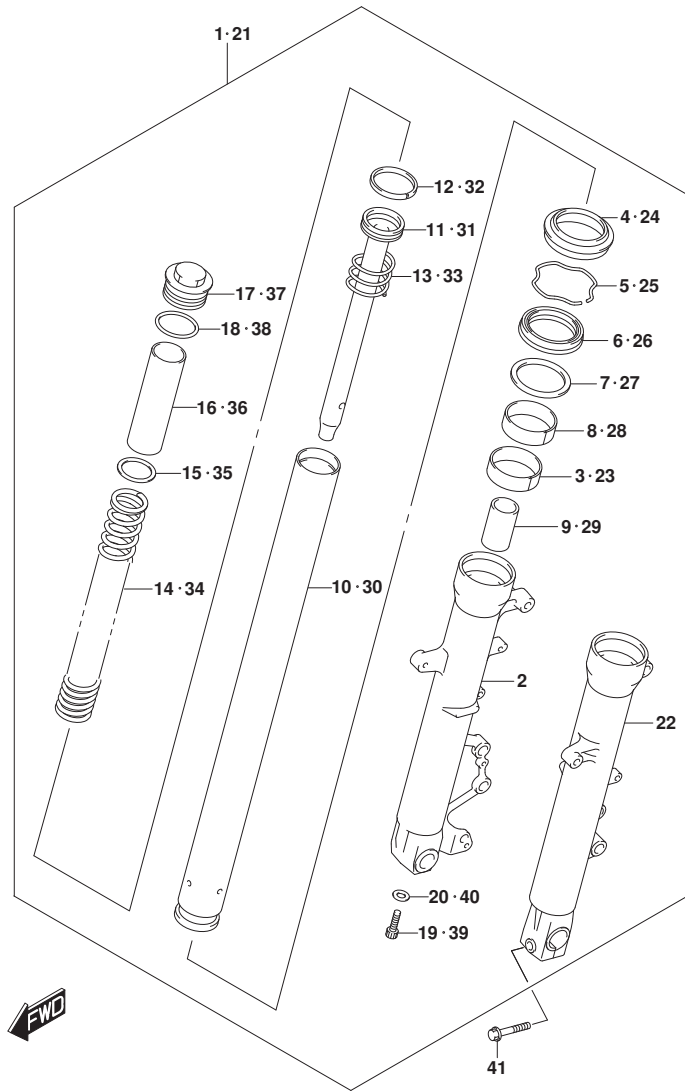


FIG.521A (1-F-10) FRONT FORK DAMPER

REF NO.	PART NO.	DESCRIPTION	Q'TY	REMARKS
1	51103-28KA0-291	DAMPER ASSY,FR FORK,R (BLACK)	1	
2	51131-28K00-291	.TUBE,OUTER,R (BLACK)	1	
3	51121-11J10	.BUSH,SLIDE	1	
4	51173-27G00	.SEAL,DUST	1	
5	51556-28KA0	.RING,STOPPER	1	
6	51153-28KA0	.SEAL,OIL	1	
7	51168-28KA0	.SPACER,SEAL	1	
8	51152-47H00	.BUSH,GUIDE	1	
9	51195-28KA0	.PIECE,OIL LOCK	1	
10	51110-28KA0	.PIPE,FORK	1	
11	51146-28KA0	.PIPE,SEAT	1	
12	51196-28KA0	.RING,PISTON	1	
13	51177-28KA0	.SPRING,REBOUND	1	
14	51171-28K10	.SPRING,FR	1	
15	51186-28KA0	.SEAT,SPRING LWR	1	LOWER
16	51176-28KA0	.COLLAR,SPRING	1	
17	51189-28K00	.BOLT,FORK	1	
18	51117-28KA0	.O-RING	1	
19	51147-28KA0	.BOLT	1	
20	51148-28KA0	.GASKET	1	
21	51104-28KA0-291	DAMPER ASSY,FR FORK,L (BLACK)	1	
22	51141-28K00-291	.TUBE,OUTER,L (BLACK)	1	
23	51121-11J10	.BUSH,SLIDE	1	
24	51173-27G00	.SEAL,DUST	1	
25	51556-28KA0	.RING,STOPPER	1	
26	51153-28KA0	.SEAL,OIL	1	
27	51168-28KA0	.SPACER,SEAL	1	
28	51152-47H00	.BUSH,GUIDE	1	
29	51195-28KA0	.PIECE,OIL LOCK	1	
30	51110-28KA0	.PIPE,FORK	1	
31	51146-28KA0	.PIPE,SEAT	1	
32	51196-28KA0	.RING,PISTON	1	
33	51177-28KA0	.SPRING,REBOUND	1	
34	51171-28K10	.SPRING,FR	1	
35	51186-28KA0	.SEAT,SPRING LWR	1	LOWER

FIG.521A

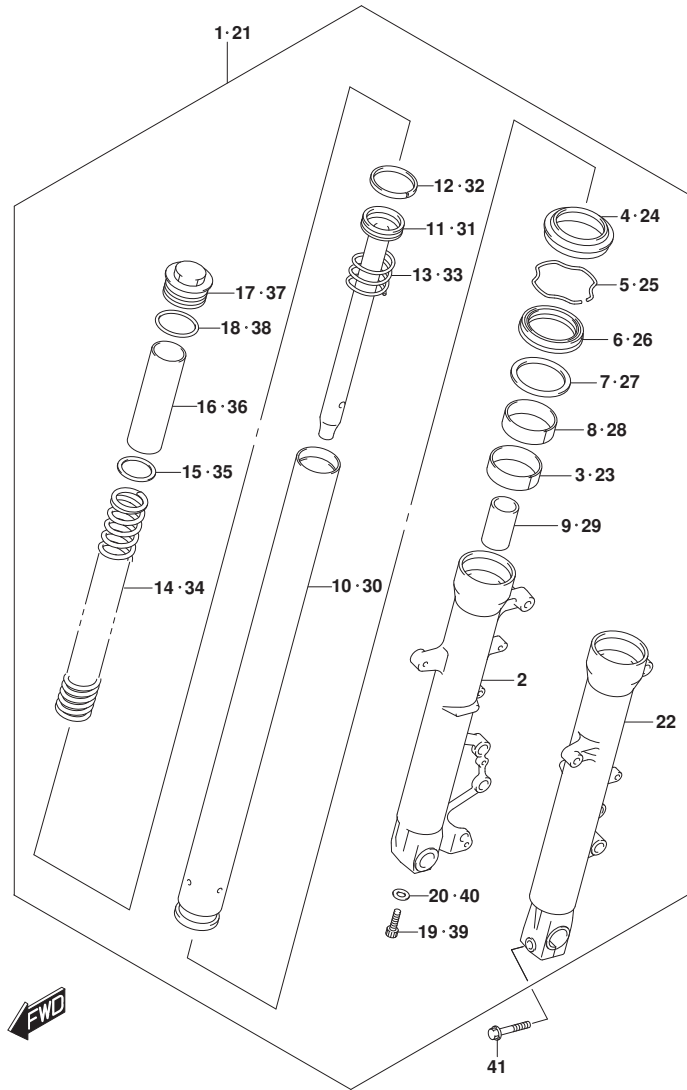


FIG.521A (1-F-11) FRONT FORK DAMPER

REF NO.	PART NO.	DESCRIPTION	QTY	REMARKS
36	51176-28KA0	.COLLAR,SPRING	1	
37	51189-28K00	.BOLT,FORK	1	
38	51117-28KA0	.O-RING	1	
39	51147-28KA0	.BOLT	1	
40	51148-28KA0	.GASKET	1	
41	51328-27E30	BOLT,HOLDER AXLE (8X40)	1	

FIG.524A

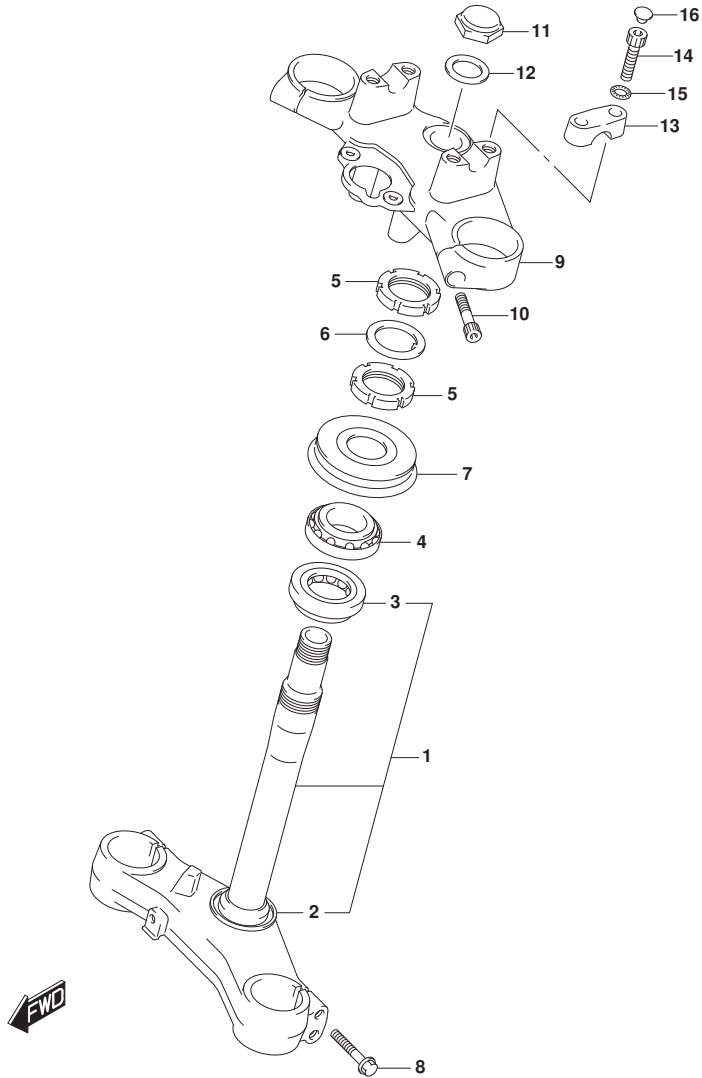


FIG.524A (1-F-12) STEERING STEM

REF NO.	PART NO.	DESCRIPTION	Q'TY	REMARKS
1	51410-28K00	STEM,STEERING	1	
2	51644-12C00	.SEAL,STEERING LWR (30.1X56X4)	1	LOWER
3	09267-30010	.BEARING (30X55X17)	1	
4	09267-30010	BEARING (30X55X17)	1	
5	51631-33E00	NUT,STEERING STEM	2	
6	51641-33E00	WASHER,STEERING STEM	1	
7	51643-33E00	SEAL,STEERING UPR DUST	1	UPPER
8	51328-27E30	BOLT,HOLDER AXLE (8X40)	4	
9	51311-11J00-291	BRACKET,UPR (BLACK)	1	UPPER
10	51166-38B40	BOLT	2	
11	51353-27G00	NUT	1	
12	51354-06G00	WASHER	1	
13	56211-06G40-291	HOLDER,HANDLE UPR (BLACK)	2	UPPER
14	51321-10F00	BOLT	4	
15	09164-08015	WASHER	4	
16	09250-06015	CAP (OD:10.5)	4	

FIG.530A

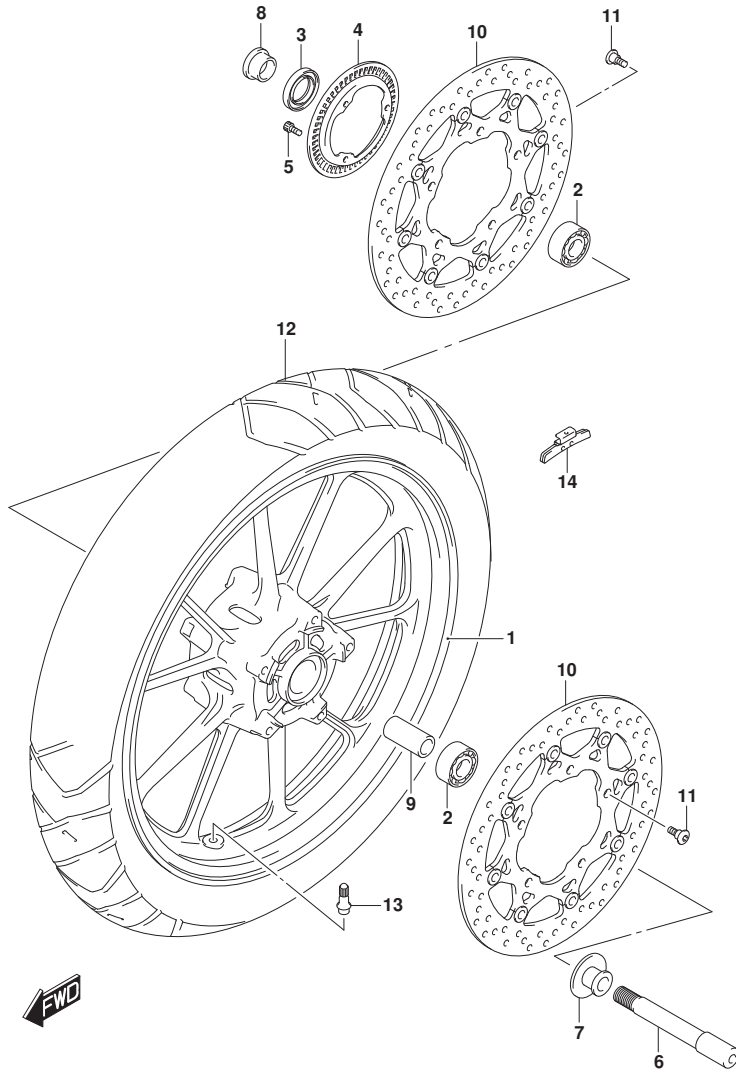


FIG.530A (1-F-13) FRONT WHEEL (DL650A:M4:E01)

REF NO.	PART NO.	DESCRIPTION	Q'TY	REMARKS
1	54111-28K00-019	WHEEL,FRONT (19M/CXMT2.50,BLAC K)	1	
2	08123-6203B	BEARING	2	
3	54841-28K00	SEAL,FRONT HUB BRG DUST	1	
4	54162-28K00	RING,SPEED SENSOR (50T)	1	
5	07130-0512A	BOLT	3	
6	54711-08F10	AXLE,FR	1	
7	54750-31F00	SPACER,FR AXLE,L	1	
8	54751-10G01	SPACER,FR AXLE	1	
9	09180-17067	SPACER (17.5X25X88)	1	
10	59210-44G11	DISC,FR BRAKE	2	
11	09106-08160	BOLT (8X21)	10	
12	55110-28K01	TIRE,FR (110/80R19M/C 59V)	1	BATTLAX ADVENTURE A40F F,BRIDGES ONE
13	#43130-24A00	VALVE ASSY,WHEEL RIM (TR412)	1	
14-1	55411-22H00	BALANCER,WHEEL (10G)	AR	
14-2	55412-22H00	BALANCER,WHEEL (20G)	AR	
14-3	55413-22H00	BALANCER,WHEEL (30G)	AR	

FIG.530B

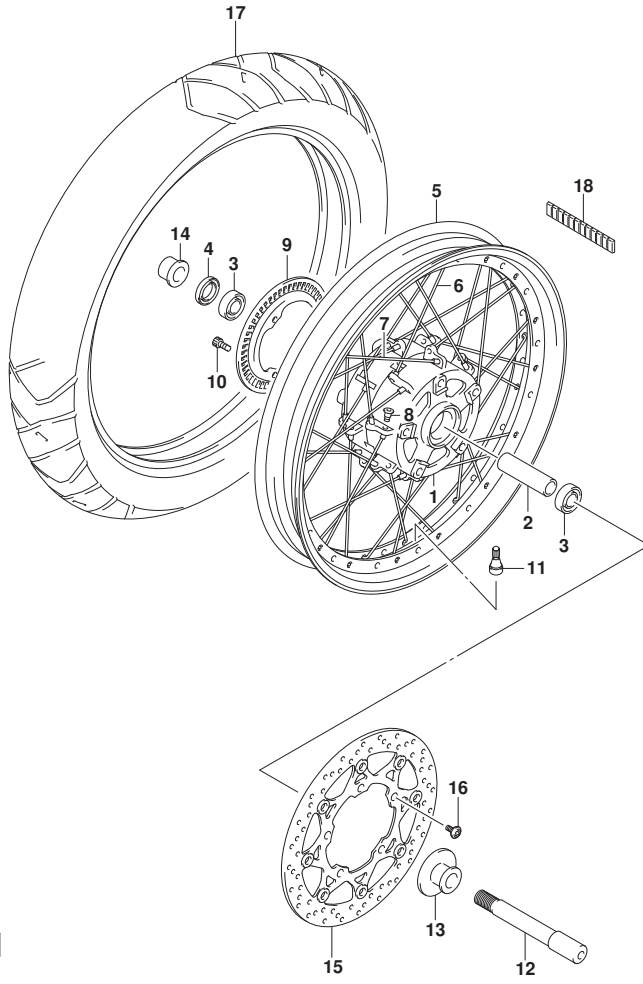


FIG.530B (1-F-14) FRONT WHEEL (DL650XA:M4:E01)

REF NO.	PART NO.	DESCRIPTION	Q'TY	REMARKS
1	54111-11J00	HUB,FRONT	1	
2	09180-17067	SPACER (17.5X25X88)	1	
3	08123-6203B	BEARING	2	
4	54841-28K00	SEAL,FRONT HUB BRG DUST	1	
5-1	55311-11J10	RIM,FR WHEEL (19M/CXMT2.50)	1	BODY COLOR:YU1,YVB
5-2	55311-11J20	RIM,FR WHEEL (19M/CXMT2.50)	1	BODY COLOR:JWN
6	55321-11J01	SPOKE,FRONT WHEEL INNER	16	
7	55322-11J01	SPOKE,FRONT WHEEL OUTER	16	
8	55326-11J00	NIPPLE,WHEEL	32	
9	54162-28K00	RING,SPEED SENSOR (50T)	1	
10	07130-0512A	BOLT	3	
11	#43130-24A00	VALVE ASSY,WHEEL RIM (TR412)	1	
12	54711-08F10	AXLE,FR	1	
13	54750-31F00	SPACER,FR AXLE,L	1	
14	54751-10G01	SPACER,FR AXLE	1	
15	59210-44G11	DISC,FR BRAKE	2	
16	09106-08160	BOLT (8X21)	10	
17	55110-28K01	TIRE,FR (110/80R19M/C 59V)	1	BATTLAX ADVENTURE A40F F,BRIDGES ONE
18	55411-11J00	WEIGHT,WHEEL BALANCE (5GRAM)	AR	

FIG.535A

FIG.535A (1-F-16) FRONT CALIPER

REF NO.	PART NO.	DESCRIPTION	Q'TY	REMARKS
1	59100-33DQ0-999	CALIPER ASSY,FRONT,R	1	
2	59300-01820	.PISTON SET	1	
3	59100-04851	..SEAL SET,PISTON	1	
4	59115-33D00	.SPRING,PAD,R	1	
5	59112-44B00	.BOOT,AXLE	1	
6	59313-36500	.INSULATOR,AXLE	1	
7	59150-33D01	.CARRIER,CALIPER,R	1	
8	59116-33D00	.GUIDE,PAD	1	
9	59121-18410	.BLEEDER	1	
10	55156-66310	.CAP,BLEEDER PLUG (M10X1)	1	
11	59141-44B01	.PIN,PAD	1	
12	69142-45000	.CLIP,PAD PIN	1	
13	59102-33870	PAD & SHIM SET,R	1	
14	59171-33D00	.SHIM,PAD	1	
15	59172-33D00	.SHIM,PAD NO.2	1	
16	59300-33DQ0-999	CALIPER ASSY,FRONT,L	1	
17	59300-01820	.PISTON SET	1	
18	59100-04851	..SEAL SET,PISTON	1	
19	59315-33D00	.SPRING,PAD,L	1	
20	59112-44B00	.BOOT,AXLE	1	
21	59313-36500	.INSULATOR,AXLE	1	
22	59350-33D01	.CARRIER,CALIPER,L	1	
23	59116-33D00	.GUIDE,PAD	1	
24	59121-18410	.BLEEDER	1	
25	55156-66310	.CAP,BLEEDER PLUG (M10X1)	1	
26	59141-44B01	.PIN,PAD	1	
27	69142-45000	.CLIP,PAD PIN	1	
28	59302-33850	PAD & SHIM SET,L	1	
29	59171-33D00	.SHIM,PAD	1	
30	59172-33D00	.SHIM,PAD NO.2	1	
31	01550-1025A	BOLT (10X20)	4	

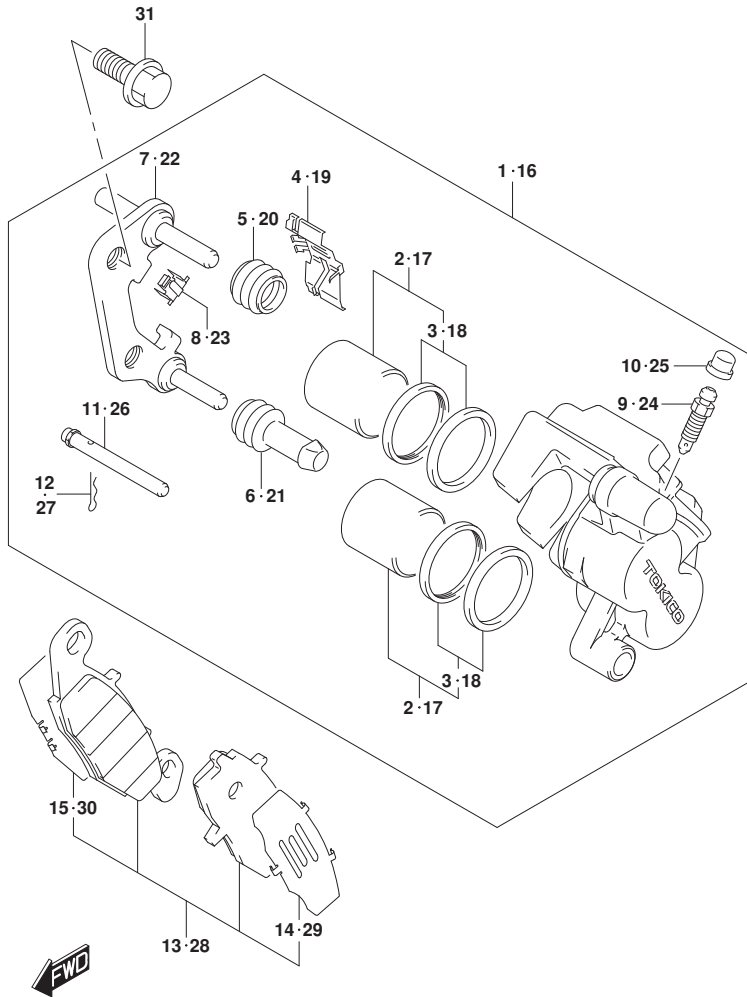


FIG.536A

FIG.536A (1-G-2) FRONT BRAKE HOSE

REF NO.	PART NO.	DESCRIPTION	Q'TY	REMARKS
1	59240-11J00	HOSE,FR BRAKE NO.2	1	
2	59250-28K00	PIPE,BK JOINT R TO HU	1	
3	59260-06G10	CLAMP,FR BRAKE HOSE	1	
4	59260-11J00	CLAMP,FR BK HOSE NO.2	1	
5	59268-11J00	CLAMP,FR BRAKE HOSE,R	1	
6	59450-28K00	PIPE,HU TO BK JOINT,L	1	
7	59480-11J01	HOSE,FR BRAKE NO.1	1	
8	09403-16412	CLAMP	1	
9	01547-0612A	BOLT	4	
10	01547-0616A	BOLT	2	
11	59540-11J00	GUIDE,FR BRAKE HOSE	1	
12	59560-11J01	HOSE,FR BRAKE NO.3	1	
13	09161-10009	WASHER (10X15X1.5)	7	
14	09360-10062	UNION (10X1.25X22)	1	
15	09360-10062	UNION (10X1.25X22)	1	
16	09360-10064	UNION (10X1.25X36)	1	
17	09403-07344	CLAMP	1	
18	09403-06324	CLAMP	1	

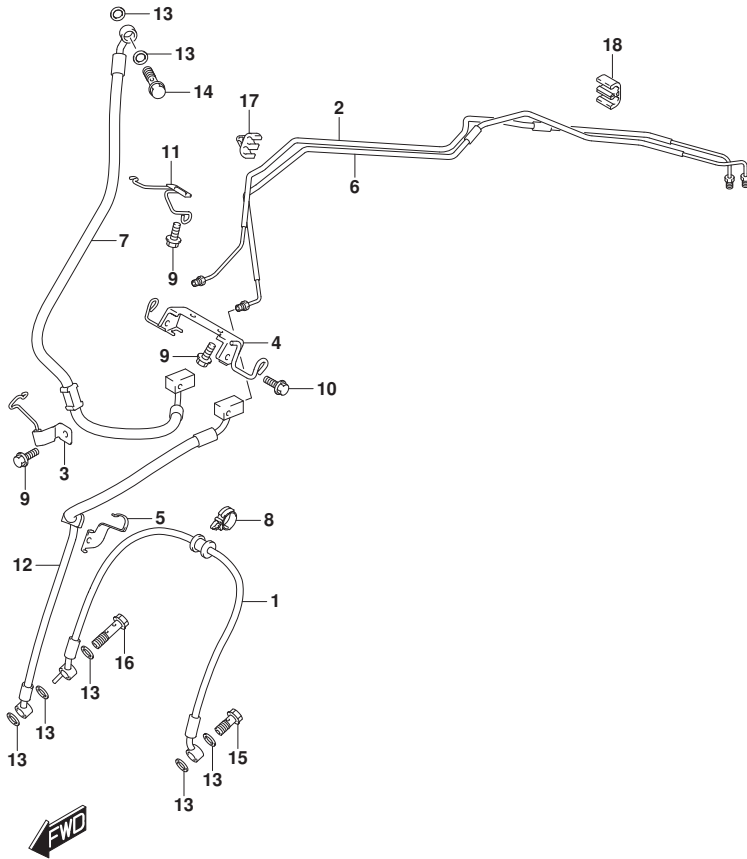


FIG.537A

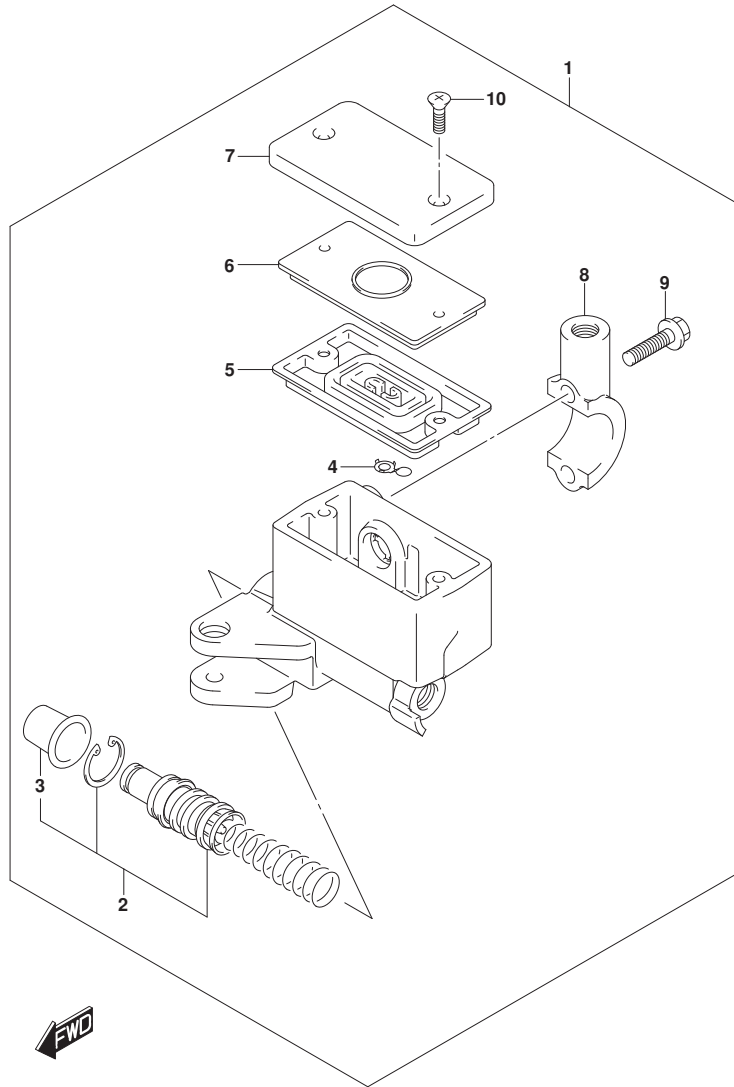


FIG.537A (1-G-3) FRONT MASTER CYLINDER

REF NO.	PART NO.	DESCRIPTION	Q'TY	REMARKS
1	59600-10G50	CYLINDER ASSY,FRONT MASTER	1	
2	59600-45870	.PISTON & CUP SET	1	
3	59666-44300	..BOOT	1	
4	59664-32F00	.PROTECTOR	1	
5	59667-49460	.DIAPHRAGM	1	
6	59668-41C00	.PLATE,DIAPHRAGM	1	
7	59669-10G20	.CAP	1	
8	59671-32F00	.HOLDER	1	
9	59675-02FA0	.BOLT (6X22)	2	
10	69689-49300	.SCREW	2	

FIG.541A

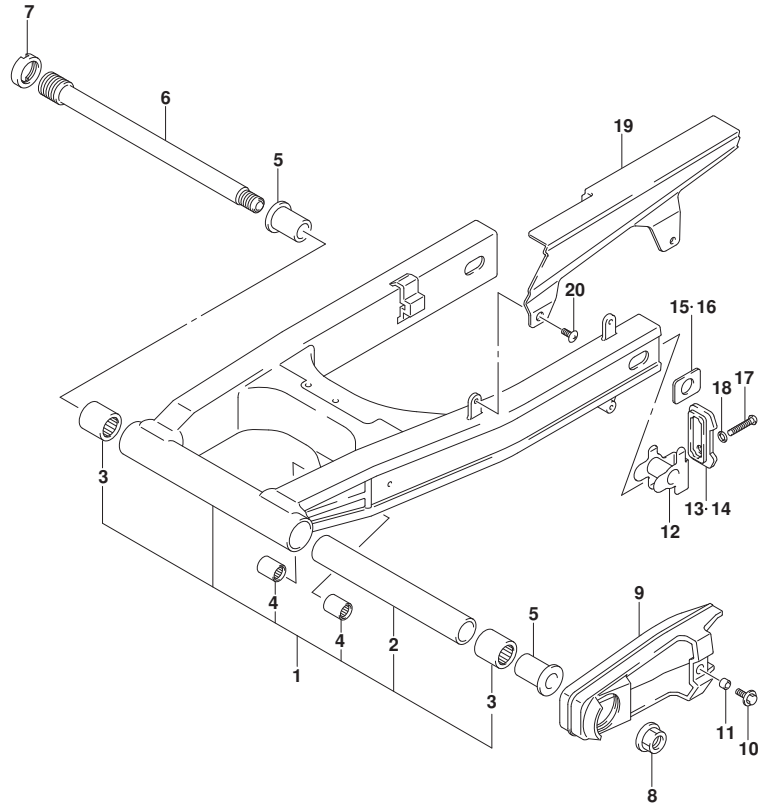


FIG.541A (1-G-4) REAR SWINGARM

REF NO.	PART NO.	DESCRIPTION	Q'TY	REMARKS
1	61000-27G31-YAP	SWINGARM ASSY,REAR (BLACK)	1	
2	09180-20118	.SPACER (20.8X27.2X196.7)	1	
3	09263-25073	.BEARING (25X33X35)	2	
4	09263-17053	.BEARING (17X24X25)	2	
5	61251-31E00	SPACER,PIVOT BEARING	2	
6	61211-06G00	SHAFT,RR SWGARM PIVOT	1	
7	61214-19F10	NUT,RR SWGARM PIVOT BOLT	1	
8	08319-3118A	NUT	1	
9	61273-27G01	BUFFER,CHAIN TOUCH DEFENSE	1	
10	09116-06111	BOLT (6X20)	1	
11	09180-06346	SPACER (6.5X10X8)	1	
12	61410-03F00	ADJUSTER,CHAIN	2	
13	61421-33D01	PLATE,CHAIN ADJUSTER GUIDE,R	1	
14	61422-33D01	PLATE,CHAIN ADJUSTER GUIDE,L	1	
15	64712-03F01	WASHER,CHAIN ADJUSTER,R	1	
16	64713-03F01	WASHER,CHAIN ADJUSTER,L	1	
17	09106-08119	BOLT (8X50)	2	
18	09164-08015	WASHER	2	
19	61310-16G00	CASE,CHAIN	1	
20	09139-06225	BOLT (6X12)	2	



FIG.543A

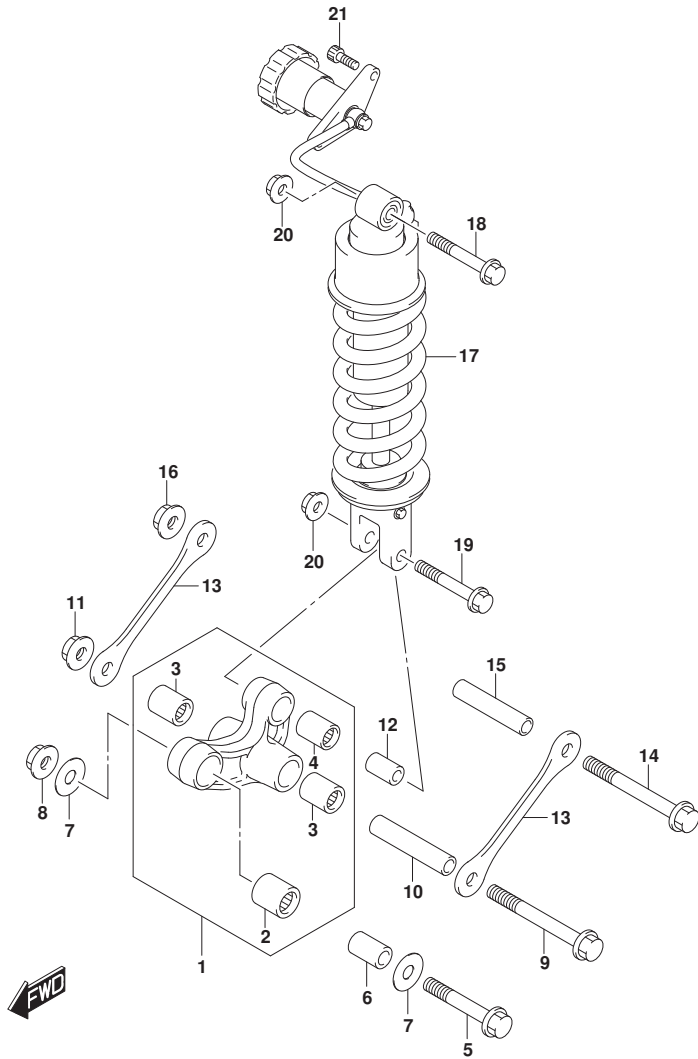


FIG.543A (1-G-5) REAR CUSHION LEVER

REF NO.	PART NO.	DESCRIPTION	Q'TY	REMARKS
1	62600-06872	LEVER SET,RR CUSHION	1	
2	09263-20121	.BEARING (20X27X30)	1	FRONT
3	09263-17053	.BEARING (17X24X25)	2	CENTER
4	09263-17057	.BEARING (17X24X26)	1	REAR
5	62658-19F00	BOLT,RR CUSHION LEVER FR (12X7 8)	1	
6	62684-12C00	SPACER,RR CUSHION LEVER FR (12 X20X32)	1	
7	09160-12037	WASHER (12X34X1.0)	2	
8	09159-12056	NUT	1	
9	62621-19D00	BOLT,RR CUSHION ROD (12X111)	1	
10	09180-12122	SPACER (12X17X85)	1	CENTER
11	09159-12056	NUT	1	
12	62684-40A10	SPACER,RR CUSHION LEVER (10X17 X30)	1	
13	62641-06G00	ROD,RR CUSHION LEVER	2	
14	62621-19D00	BOLT,RR CUSHION ROD (12X111)	1	
15	09180-12122	SPACER (12X17X85)	1	ROD
16	09159-12056	NUT	1	
17	62100-28K01-019	ABSORBER ASSY,RR SHOCK (BLACK)	1	
18	09103-10033	BOLT (10X70)	1	UPPER
19	09103-10143	BOLT (10X55)	1	LOWER
20	09159-10115	NUT (M10)	2	
21	07130-0816A	BOLT	2	

FIG.550A

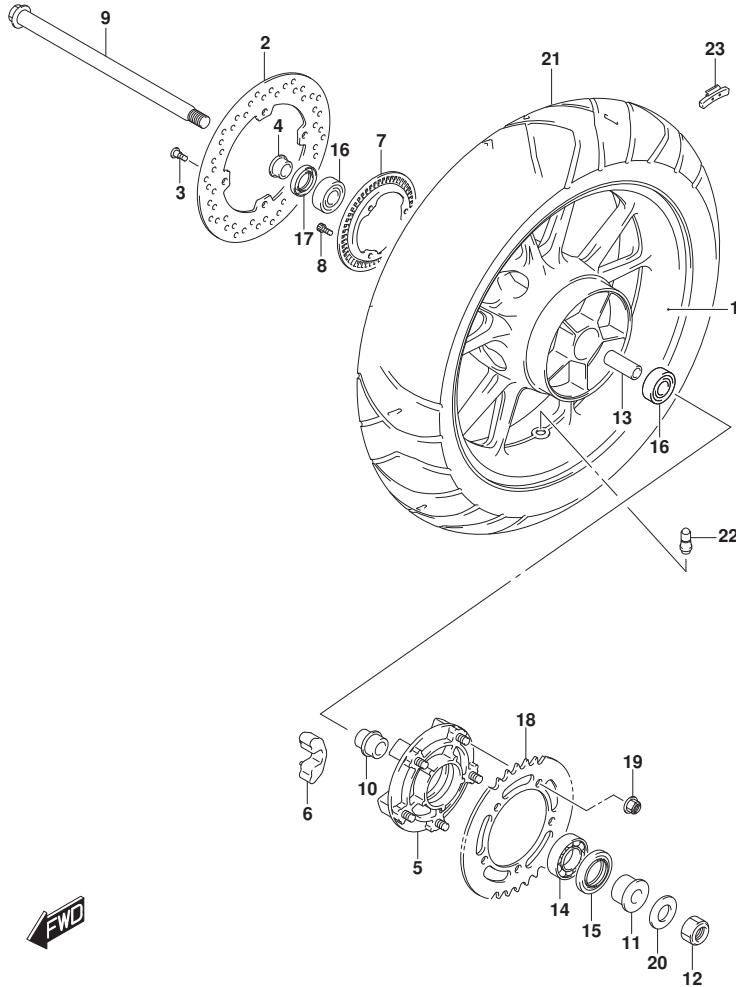


FIG.550A (1-G-6) REAR WHEEL (DL650A:M4:E01)

REF NO.	PART NO.	DESCRIPTION	Q'TY	REMARKS
1	64111-28K00-019	WHEEL,REAR (17M/CXMT4.00,BLACK)	1	
2	69211-06G10	DISC,RR BRAKE	1	
3	09106-08160	BOLT (8X21)	4	
4	64741-10F00	SPACER,RR AXLE,R	1	
5	64610-35F40	DRUM,RR SPROCKET	1	
6	64651-35F10	ABSORBER,RR HUB SHOCK	5	
7	54162-28K00	RING,SPEED SENSOR (50T)	1	
8	07130-0512A	BOLT	3	
9	64711-03F00	AXLE,RR	1	
10	64733-06G00	RETAINER,RR SPROCKET DRUM	1	
11	64751-27G00	SPACER,RR AXLE,L	1	
12	09159-18007	NUT	1	
13	09180-20112	SPACER (20.8X27.2X124)	1	
14	09262-32024	BEARING (32X65X17)	1	
15	09285-39001	SEAL,OIL (39X65X7)	1	
16	08123-6204B	BEARING	2	
17	09285-28004	SEAL,OIL (27X47X7)	1	
18	64511-27G00	SPROCKET,RR (47T-525)	1	
19	08319-3110A	NUT	5	
20	09160-19025	WASHER (19X32X3.2)	1	
21	65110-28K01	TIRE,REAR (150/70R17M/C 69V)	1	BATTLAX ADVENTURE A40R F,BRIDGES ONE
22	#43130-24A00	VALVE ASSY,WHEEL RIM (TR412)	1	
23-1	55411-22H00	BALANCER,WHEEL (10G)	AR	
23-2	55412-22H00	BALANCER,WHEEL (20G)	AR	
23-3	55413-22H00	BALANCER,WHEEL (30G)	AR	

FIG.550B

FIG.550B (1-G-7) REAR WHEEL (DL650XA:M4:E01)

REF NO.	PART NO.	DESCRIPTION	Q'TY	REMARKS
1	64111-11J00	HUB,RR	1	
2-1	65311-28K10	RIM,RR WHEEL (17M/CXMT4.00)	1	BODY COLOR:YU1,YVB
2-2	65311-28K20	RIM,RR WHEEL (17M/CXMT4.00)	1	BODY COLOR:JWN
3	65321-11J01	SPOKE,REAR WHEEL INNER	16	
4	65322-11J01	SPOKE,REAR WHEEL OUTER	16	
5	55326-11J00	NIPPLE,WHEEL	32	
6	64651-35F10	ABSORBER,RR HUB SHOCK	5	
7	54162-28K00	RING,SPEED SENSOR (50T)	1	
8	07130-0512A	BOLT	3	
9	09180-20112	SPACER (20.8X27.2X124)	1	
10	08123-6204B	BEARING	2	
11	09285-28004	SEAL,OIL (27X47X7)	1	
12	69211-06G10	DISC,RR BRAKE	1	
13	09106-08160	BOLT (8X21)	4	
14	64741-10F00	SPACER,RR AXLE,R	1	
15	64610-35F40	DRUM,RR SPROCKET	1	
16	64711-03F00	AXLE,RR	1	
17	64733-06G00	RETAINER,RR SPROCKET DRUM	1	
18	64751-27G00	SPACER,RR AXLE,L	1	
19	09159-18007	NUT	1	
20	09262-32024	BEARING (32X65X17)	1	
21	09285-39001	SEAL,OIL (39X65X7)	1	
22	64511-27G00	SPROCKET,RR (47T-525)	1	
23	08319-3110A	NUT	5	
24	09160-19025	WASHER (19X32X3.2)	1	
25	65110-28K01	TIRE,REAR (150/70R17M/C 69V)	1	
26	#43130-24A00	VALVE ASSY,WHEEL RIM (TR412)	1	
27	55411-11J00	WEIGHT,WHEEL BALANCE (5GRAM)	AR	

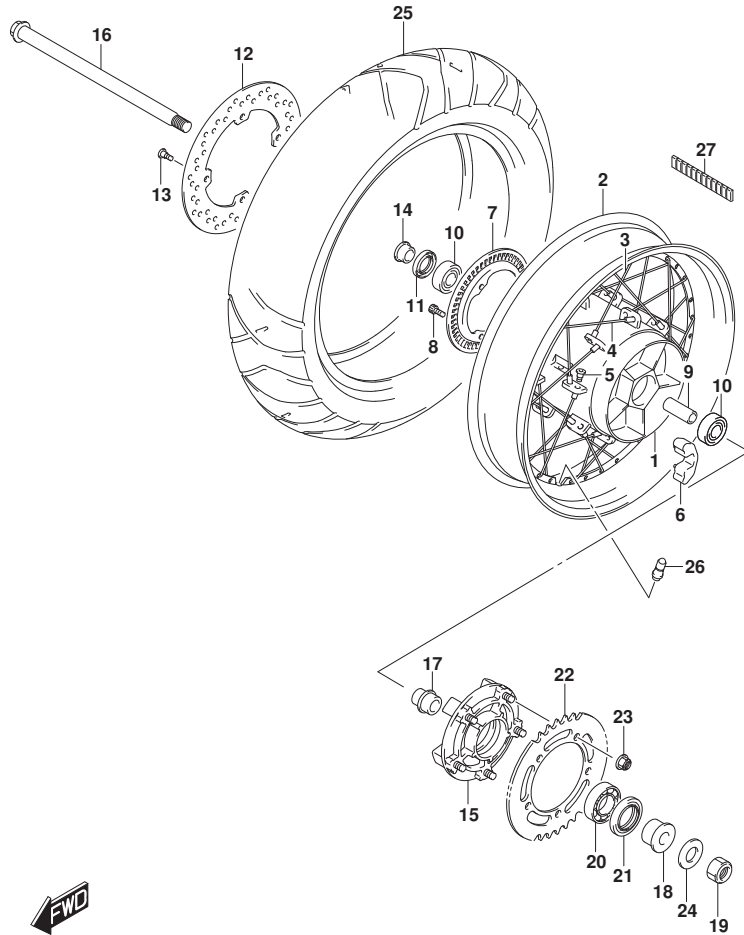


FIG.555A

FIG.555A (1-G-8) REAR CALIPER

REF NO.	PART NO.	DESCRIPTION	Q'TY	REMARKS
1	69100-28K00-999	CALIPER ASSY,RR	1	
2	69100-04810	.PISTON SET	1	
3	69100-04820	..SEAL SET,PISTON	1	
4	69115-06G00	.SPRING,PAD	1	
5	59305-36E00	.PIN,BOLT	1	
6	59303-14500	.BOOT	1	
7	69141-40F00	.PIN,PAD	1	
8	59146-21E10	.PLUG,PIN	1	
9	69182-04F00	.BOLT	1	
10	69185-04F00	.SLEEVE	1	
11	69186-04F00	.BOOT,SLEEVE	1	
12	59121-01A00	.BLEEDER	1	
13	59122-46H00	.CAP,BLEEDER	1	
14	69150-28K00	.BRACKET	1	
15	69100-06830	PAD & RETAINER SET	1	
16	69132-06G00	.INSULATOR	2	
17	69133-06G00	.RETAINER	1	
18	69134-06G00	.RETAINER	1	

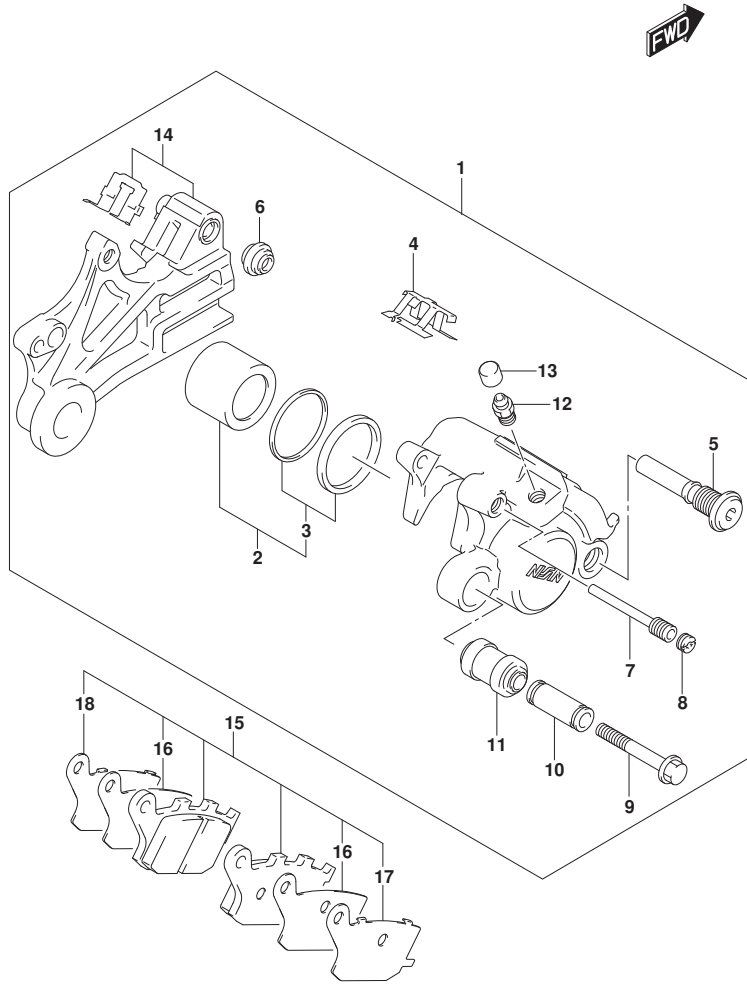


FIG.558A

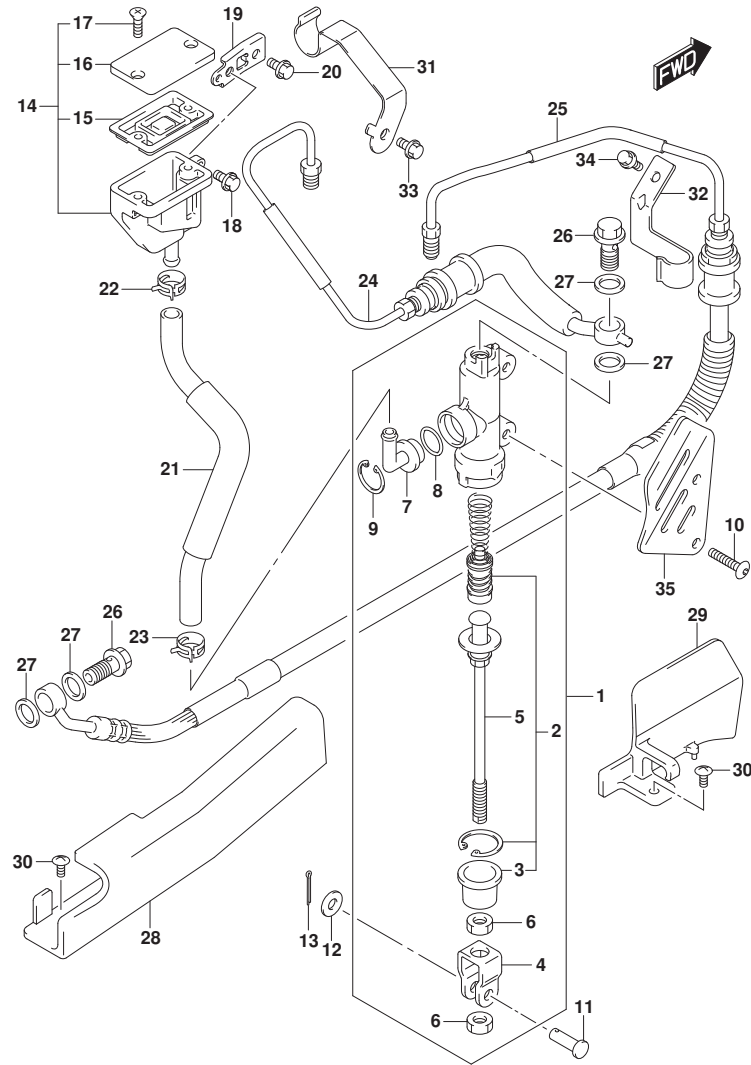


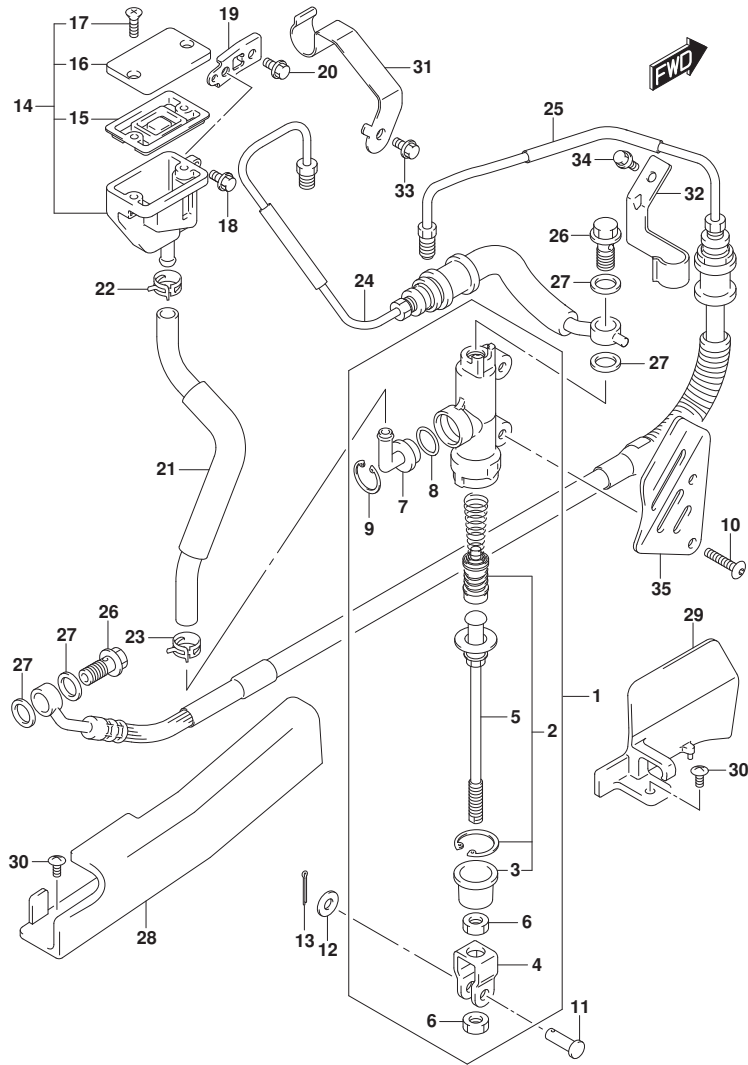
FIG.558A (1-G-9) REAR MASTER CYLINDER

REF NO.	PART NO.	DESCRIPTION	Q'TY	REMARKS
1	69600-06G00	CYLINDER ASSY,RR MASTER	1	
2	69600-34821	.PISTON/CUP SET	1	
3	69691-04A00	.BOOT	1	
4	69692-19A00	.YOKE	1	
5	69670-03G00	.ROD,PUSH	1	
6	69693-05A00	.NUT	2	
7	69672-00B20	.CONNECTOR	1	
8	69686-34200	.O-RING	1	
9	69674-00B20	.CIRCLIP	1	
10	09139-06192	SCREW (6X25)	2	
11	09200-06037	PIN (6X17.7)	1	
12	08322-0106A	WASHER	1	
13	04111-2015A	PIN	1	
14	69740-01D02	TANK ASSY,RR RESERVOIR	1	
15	59667-04700	.DIAPHRAGM	1	
16	59669-05D00	.CAP	1	
17	69689-04A00	.SCREW	2	
18	01547-0612A	BOLT	1	
19	69750-28K00	BRACKET,RR RESERVOIR TANK	1	
20	01547-0612A	BOLT	1	
21	69730-28K00	HOSE,RR RESERVOIR TANK	1	
22	09401-13417	CLIP (ID:13.2)	1	UPPER
23	09401-12404	CLIP (ID:12)	1	LOWER
24	69200-28K01	HOSE ASSY,RR BK MASTER TO HU	1	
25	69400-11J01	HOSE ASSY,RR BRAKE NO.2	1	
26	09360-10062	UNION (10X1.25X22)	2	
27	09161-10009	WASHER (10X15X1.5)	4	
28	61196-27G20	GUIDE,RR BRAKE HOSE	1	
29	61196-06G10	GUIDE,RR BRAKE HOSE FR	1	
30	02142-0510A	SCREW	2	
31	69260-11J00	CLAMP,RR BRAKE HOSE	1	
32	69266-27G00	CLAMP,RR BRAKE HOSE NO.2	1	
33	01547-0610B	BOLT	1	
34	01547-0612A	BOLT	1	
35	69641-06G00	COVER,RR MASTER CYLINDER	1	

FIG.558A

FIG.558A (1-G-10) REAR MASTER CYLINDER

REF NO.	PART NO.	DESCRIPTION	Q'TY	REMARKS
---------	----------	-------------	------	---------



PART NO.	FIG.NO.-REF.NO.	PART NO.	FIG.NO.-REF.NO.	PART NO.	FIG.NO.-REF.NO.	
10000		12164-46E10-0B0	120A-6-2	12892-05C00-220	126A-13-21	
		12164-46E10-0C0	120A-6-3	12911-18H00	126A-5	
		12164-46E10-0D0	120A-6-4	12912-20F00	126A-6	
		12220-44H20	120A-1	12921-44H00	126A-7	
		12229-44H10-0A0	120A-2-1	12931-17E01	126A-8	
	11101-18K00	104A-1	12229-44H10-0B0	120A-2-2	12932-32C00	126A-11
	11103-18K00	105A-1	12229-44H10-0C0	120A-2-3	12933-17E00	126A-9
	11117-44H00	104A-6	12600-06821	122A-3	13101-17G11	104A-12
		105A-6	12611-27G00	122A-1	13102-17G11	105A-12
	11141-20F00	101A-2	12710-11J00	126A-1	13150-28H10	189A-1
	104A-4	12720-44H00	126A-2	13268-48700	140A-3	
	105A-4	12730-11J00	126A-3	13269-33E00	140A-2	
11151-27G01	104A-24	12731-19F00	120A-11	13295-29901	140A-5	
11171-18K00	104A-16	12740-44H00	126A-4	13405-28K21	140A-1	
11172-18K00	105A-16	12760-19F01	127A-1	13575-29G01	140A-7	
11173-19F01	101A-3	12771-44H01	127A-2	13580-27G21	140A-6	
	104A-17	12782-19F01	127A-3	13601-11J00	140A-16	
	105A-17	12800-05830	126A-14	13602-06128	140A-18	
11182-35F10	104A-25	12811-17G01	127A-5	13602-29G01	140A-17	
	105A-24	12812-35C00	127A-6	13605-02F00	140A-8	
11191-27E00	101A-10	12830-27G00	127A-8	13606-47A00	140A-4	
	104A-20	12830-27G10	127A-11	13650-41F10	155A-15	
	105A-20	12831-39F00	127A-10	13650-49X00	187A-25	
11192-13E00	104A-21		127A-13	13655-41F10	155A-16	
	105A-21	12833-17G00	127A-14	13671-12C00	140A-22	
11211-44H00-0F0	107A-1	12837-24F10	127A-9	13681-06G40	140A-19	
11221-44H00-0F0	107A-2		127A-12	13683-28K01	140A-12	
11241-19F10	101A-4	12837-27G10	101A-8	13683-44H11	140A-13	
	107A-3		127A-15	13683-44H30	140A-20	
11242-19F00	101A-5	12891-47H00	126A-12	13685-04F10	140A-21	
	107A-4	12892-05C00-120	126A-13-1	13700-11J11	155A-1	
11301-27890	108A-1	12892-05C00-125	126A-13-2	13740-11J01	155A-2	
11323-19F00	108A-22	12892-05C00-130	126A-13-3	13746-06G00	155A-9	
11340-18K10	112A-1	12892-05C00-135	126A-13-4	13780-27G10	155A-8	
11343-44H01	112A-9	12892-05C00-140	126A-13-5	13788-11J00	155A-6	
11351-44H20	112A-15	12892-05C00-145	126A-13-6	13826-44H01	155A-7	
11361-28K00	112A-11	12892-05C00-150	126A-13-7	13827-40H01	104A-15	
11403-44820	101A-1	12892-05C00-155	126A-13-8	105A-15	105A-15	
11482-44H00	101A-6	12892-05C00-160	126A-13-9	13850-11J00	155A-13	
	112A-4	12892-05C00-165	126A-13-10	13878-10G01	155A-11	
11483-19F00	101A-7	12892-05C00-170	126A-13-11	13881-27G11	155A-4	
	112A-16	12892-05C00-175	126A-13-12	13882-27G11	155A-5	
11971-25D00	112A-7	12892-05C00-180	126A-13-13	13891-27G01	155A-3	
11971-33210	112A-2	12892-05C00-185	126A-13-14	14150-27G10	163A-1	
12111-18K01-0F0	120A-7	12892-05C00-190	126A-13-15	14160-17G10	163A-2	
12140-10L00	120A-8	12892-05C00-195	126A-13-16	14181-22D01	101A-9	
12151-05A10	120A-9	12892-05C00-200	126A-13-17		163A-3	
12160-17G20	120A-3	12892-05C00-205	126A-13-18	14305-28K02-H01	163A-6	
12163-24F10	120A-4	12892-05C00-210	126A-13-19	14771-32E10	163A-7	
12164-46E10-0A0	120A-6-1	12892-05C00-215	126A-13-20	14780-28K00	163A-17	

PART NO.	FIG.NO.-REF.NO.	PART NO.	FIG.NO.-REF.NO.	PART NO.	FIG.NO.-REF.NO.
14784-28K00	163A-24	17712-40F00	185A-4	21441-29F30	201A-6
14795-10FA0	163A-20	17730-08J00	185A-14	21442-29F10	201A-5
15100-28K00	172A-1	17741-17G00	185A-10	21451-28C31	201A-7
15113-05H00	172A-2	17771-11J00	185A-12	21462-16501	201A-8
15113-17K00	172A-3	17781-17G00	185A-9	21471-17G00	201A-9
15113-35F00	172A-4	17800-11J00	185A-2	21472-17G00	201A-10
15113-48H00	172A-11	17851-11J00	187A-1	21482-41G10	201A-11
15114-17K00	172A-5	17852-44H20	187A-2	23110-44111	201A-15
15115-17K00	172A-6	17853-19F00	187A-6	23111-15501	201A-16
15116-17K00	172A-7	17854-44H00	187A-3	23121-44H00	201A-17
15121-28K00	172A-14	17856-44H00	187A-23	23122-44H00	201A-18
15122-17K00	172A-13	17880-44H00	187A-4	23123-41G00	201A-19
15201-07L00	172A-12	17890-06G20	187A-7	23125-11J00	201A-20
15310-17K00	172A-8	17900-27810	187A-13	23271-44H21	201A-21
15420-17K00	172A-9	17910-27G10	187A-10	24120-27G00	206A-1
15610-17K00	172A-10	17920-27G10	187A-16	24127-19F00	206A-2
15710-11J00	140A-9	17931-02FA0	187A-11		206A-3
15717-58B00	140A-10	17982-15H00	187A-14		206A-15
15722-29G00	140A-11	17995-14JP1	185A-15		206A-16
15731-11J00	140A-14	18117-52G10	140A-24		206A-17
15732-11J00	140A-15	18119-44H00	140A-25	24130-44H40	206A-18
15810-28K00	172A-16	18213-17K70	163A-22	24221-20F10	206A-4
15820-28K00	172A-17	18461-11J00	189A-2	24231-20F10	206A-5
16321-19F00	170A-11	18471-11J00	189A-3	24251-20F02	206A-6
16331-19F00	170A-3	18510-29G80	189A-4	24252-19F00	206A-7
16400-20F00	170A-1	18511-29G00	189A-5	24252-38A10	206A-8
16438-19F00	108A-14	18531-06G10	189A-6	24261-20F00	206A-9
16440-17C20	170A-7	18560-31J00	427A-1	24311-44H00	206A-19
16461-44H00	178A-5	18561-28K00	427A-2	24321-44H20	206A-20
16471-44H00	178A-6	18562-28K00	427A-3	24331-44H00	206A-22
16510-07J00	178A-10	18563-28K00	427A-4	24332-24510	206A-23
16520-32E01	170A-8	18564-28K00	427A-5		206A-24
16523-17G00	170A-9	18565-28K00	427A-6	24341-44H00	206A-25
16591-02F00	178A-3	18566-28K00	427A-7	24351-44H10	206A-26
16600-44H00	178A-1	18571-31J00	427A-8	24361-44H00	206A-27
17400-44H01	180A-1	18590-18K00	155A-18	24741-21A00	212A-6
17411-44H00	180A-2	18595-04K01	155A-19	24751-19F10	206A-38
17415-20920	180A-3	18711-11J00	189A-7	24881-12C30	206A-39
17418-19F00	180A-10			24885-12C10	206A-40
17435-33400	180A-11			25211-42E20	212A-1
17451-17G00	120A-12			25221-42E20	212A-2
17461-44H00	180A-16			25231-42E20	212A-3
17461-48G00	180A-7			25310-19F00	212A-7
17470-02F11	180A-6			25312-42F01	212A-9
17491-19F40	180A-5			25350-35F00	212A-14
17662-02F11	187A-19	21100-44H00	120A-13	25355-35F01	212A-15
17663-17G00	187A-20	21200-44860	201A-1	25381-19F20	212A-10
17670-06G61	187A-21	21411-44101	201A-2	25411-26D01	212A-4
17710-11J00	185A-1	21413-17G10	201A-3	25411-44B00	212A-5
17711-08J00	185A-3	21414-29F00	201A-4	25510-19F10	212A-18

PART NO.	FIG.NO.-REF.NO.	PART NO.	FIG.NO.-REF.NO.	PART NO.	FIG.NO.-REF.NO.	PART NO.	FIG.NO.-REF.NO.	PART NO.	FIG.NO.-REF.NO.	PART NO.	FIG.NO.-REF.NO.
25512-06G20	212A-19	33860-28K10	310A-10	37740-31D00	350A-19	43595-28K00	401A-16	44542-06G00	420A-9		485B-5
25518-06L00	212A-25	33960-27G00	312A-24	37820-33D11	108A-33	43610-34A60	415A-19		420B-10		485C-5
25520-27G01	212A-27	34100-28K00	330A-1	37822-33D00	108A-34	43612-33G30	415A-21	44543-10G00	310A-4	47913-31J00	445A-10
25525-27G00	212A-29	34124-31J00	330A-6	37840-06G01	350A-21	43631-34A01	415A-22	44543-31J01	420A-20		485A-6
25526-47001	212A-28	34126-31J00	330A-3	38500-11J00	350A-24	43710-34A60	415A-20		420B-21		485B-6
	212A-31	34150-28K00	330A-2	38610-06F01	334A-22	43810-28K00-YAP	415A-23	44545-06G00	420A-8		485C-6
25600-11J01	212A-30	34152-28K00	330A-4	38850-31J00	350A-27	43820-28K00-YAP	415A-24		420B-9	48410-28K00	481A-1
25617-03F10	212A-33	34183-29F00	330A-5	38852-28K01	350A-28	44100-28K40-YKY	420A-1-1	44550-06G10	420A-6		481B-1
25652-20C00	212A-32	34189-08J01	330A-8	38860-76F01	350A-6	44100-28K40-YUD	420A-1-2		420B-7	48412-28K00	481A-2
25671-01011	212A-20		481A-18		350A-7	44100-28K40-YUH	420A-1-4	44560-11J00	420A-19		481B-2
27510-20F21	206A-43		481B-18		350A-8	44100-28K40-YVB	420A-1-3		420B-20	48414-31J00	481A-4
27531-19F10	206A-46	34810-28K00	172A-18			44100-28KK0-YU1	420B-1-2	44572-13G00	423A-3		
27600-06G40-120	206A-47	34815-28K00	172A-19			44100-28KK0-YUH	420B-1-1	44572-37H00	420A-28		
27620-06G40	206A-48	34938-14F00	533A-18			44100-28KK0-YVB	420B-1-3		420B-29		
		35100-31J01	333A-1			44121-28K01	420A-30	45100-28K01-BGP	505A-1		
		35142-31J00	333A-4				420B-31		505B-1-1		
		35171-31J00	333A-2			44130-28K00	420A-23	45100-28K01-CQM	505B-1-2		
		35179-31J00	333A-3				420B-24	45148-20G90	505A-2		
		35601-08JAO	334A-1			44140-28K00	420A-25		505B-2		
		35602-08JAO	334A-5				420B-26	45148-28K00	505A-5		
		35603-08JAO	334A-11	41100-27GB0-YAP	401A-1	44154-11J00	420A-13		505B-5	51103-28KA0-291	521A-1
		35604-08JAO	334A-15	41200-28K01	401A-2		420B-14	45212-18K00	505A-4	51104-28KA0-291	521A-21
		35612-08JAO	334A-2	41911-06G90-YAP	401A-4	44176-31J00	485A-3		505B-4	51110-28KA0	521A-10
			334A-16	41912-06G90-YAP	401A-5		485B-3	45220-04K20	505A-7		521A-30
		35629-18G00	334A-9	41921-16G01	401A-9		485C-3		505B-7	51117-28KA0	521A-18
		35629-31F40	334A-19	41922-19F20	401A-8	44178-31J00	485A-4	45241-17K10	460A-3		521A-38
		35632-08JAO	334A-6	41922-33E20	401A-10		485B-4	45280-28K00	505A-8	51121-11J10	521A-3
			334A-12	41923-16G00	401A-7		485C-4		505B-8		521A-23
		35710-31J01	339A-1	41941-19F01	401A-11	44190-28K00	423A-1	45288-14F00	505A-9	51131-28K00-291	521A-2
		35910-41GB2	339A-4	42310-06G60	407A-1	44194-11J00	420A-12		505B-9	51141-28K00-291	521A-22
		35912-41G01	339A-5	42321-03FK0	407A-3		420B-13	45288-28K00	505A-12	51146-28KA0	521A-11
		35913-41G00	339A-6	42330-06G60	407A-6	44200-17840	420A-3		505B-12		521A-31
		35917-41G00	339A-8	43111-27G00	407A-9		420B-4	45289-28K00	505A-10	51147-28KA0	521A-19
		35950-13K01	333A-10	43130-24A00	530A-13	44244-11J00	420A-4		505B-10		521A-39
		36610-27G02	350A-1		530B-11		420B-5	45516-01H00	420A-35	51148-28KA0	521A-20
		36618-31J00	310A-7		550A-22	44261-22A00	423A-2		420B-36		521A-40
		36618-41G00	350A-10		550B-26	44423-11J31	420A-32	46311-31J20	412A-1	51152-47H00	521A-8
		36620-28K00	350A-9	43501-06G01	415A-4		420B-33	47110-28K10	445A-1		521A-28
		36654-06J01	350A-11	43502-06G01	415A-10	44423-28K01	420A-31	47121-28K00	445A-2	51153-28KA0	521A-6
		36853-28K00	350A-12	43510-11J00-YAP	415A-1		420B-32		445A-4		521A-26
		36856-28K00	350A-13	43520-11J00-YAP	415A-2	44511-16G01	420A-15	47122-28K00	420A-36	51166-38B40	524A-10
		36990-06L00	355A-7	43551-06G00	415A-6		420B-16		420B-37	51168-28KA0	521A-7
		37100-28K00	352A-2		415A-12	44512-16G00	420A-16	47123-28K00	445A-16		521A-27
		37101-28810	352A-1	43552-06G00	415A-7		420B-17	47210-28K00	445A-3	51171-28K10	521A-14
		37146-13K00	352A-8		415A-13	44520-11J00	420A-17	47411-31J10	445A-5		521A-34
		37152-17K00	352A-4	43576-07D01	415A-5		420B-18	47431-28K00	405A-1	51173-27G00	521A-4
		37180-11J06	352A-3		415A-11	44530-06G00	420A-10	47510-28K00	445A-13		521A-24
		37200-28K00	355A-1	43585-27G10	401A-13		420B-11	47511-31J10	445A-6	51176-28KA0	521A-16
		37400-28K01	355A-5	43585-28K00	401A-15	44541-28K00	420A-5	47612-44H00	483A-1		521A-36
		37730-44H10	212A-39	43595-27G00	401A-14		420B-6	47829-10F00	485A-5	51177-28KA0	521A-13

30000

40000

50000

PART NO.	FIG.NO.-REF.NO.	PART NO.	FIG.NO.-REF.NO.	PART NO.	FIG.NO.-REF.NO.
51186-28KA0	521A-33	55411-11J00	530B-18	57541-27G01-291	472A-2
	521A-15	55411-22H00	550B-27	57560-05A00	467A-15
51189-28K00	521A-35		530A-14-1		467B-17
51195-28KA0	521A-17	55412-22H00	550A-23-1	57562-41G01	467A-16
	521A-37		530A-14-2		467B-18
51196-28KA0	521A-9	55413-22H00	550A-23-2	57621-33E01	467A-9
	521A-29		530A-14-3		467B-11
	521A-12		550A-23-3	57661-33E01	
51311-11J00-291	521A-32	55610-28K01	533A-1	58200-11J00	462A-11
	524A-9		533A-2		462B-10
51321-10F00	524A-14	55667-27G20	533A-8	58273-31001	467B-19
51328-27E30	521A-41	55710-28K00	533A-11	58300-11J01	462A-15
	524A-8		533A-20		462B-14
51353-27G00	524A-11	56111-28K00-YUS	462A-1	58300-11J11	462A-16
51354-06G00	524A-12	56200-16843	462B-1		462B-15
51410-28K00	524A-1		462A-2	58631-11J10	
51556-28KA0	521A-5	56200-32861	462B-2		462B-11
	521A-25	56211-06G40-291	524A-13	58634-44H00	462A-13
51631-33E00	524A-5	56272-06G00	462A-4		462B-12
	51641-33E00	524A-6	56272-10G01	59100-04851	535A-3
51643-33E00	524A-7	56273-10G10	462B-6		535A-18
51644-12C00	524A-2		462A-8	59100-33DQ0-999	
53110-28K00-291	460A-1	56276-17D00	462B-7	59102-33870	535A-13
	53121-28K00		460A-2	59112-44B00	
53121-33E00	460A-6	56500-04F30	462A-9		535A-20
53122-06G00	460A-4	56600-04F30	462B-8	59115-33D00	535A-4
54111-11J00	530B-1		462A-10	59116-33D00	
54111-28K00-019	530A-1	57110-21H02	462B-9	59121-01A00	535A-23
	530A-4		467A-1	59121-18410	
54162-28K00	530B-9	57211-21H01	467B-1		535A-24
	550A-7		467B-7	59122-46H00	
54711-08F10	550B-7	57300-06G20	467B-2	59141-44B01	535A-11
	530A-6		467B-2		535A-11
54750-31F00	530B-12	57300-44G12	467A-2		535A-26
	530A-7	57341-27G02-291	472A-1	59146-21E10	555A-8
54751-10G01	530B-13	57346-14G00	462B-4	59150-33D01	535A-7
	530A-8	57431-06GA0	467B-3	59171-33D00	535A-14
54841-28K00	530B-14	57431-17H02	467A-3		535A-29
	530A-3	57431-21D11	467A-10	59172-33D00	535A-15
55110-28K01	530B-4	57441-45C01	467A-12		535A-30
	530A-12	57442-45C01	467B-14	59210-44G11	530A-10
530B-17	467A-13				530B-15
55156-66310	535A-10	57460-14J02	467B-15	59240-11J00	536A-1
	535A-25		467A-5	59250-28K00	
55311-11J10	530B-5-1	57465-17C00	467B-5	59260-06G10	536A-3
	55311-11J20		530B-5-2	467A-6	59260-11J00
55321-11J01	530B-6	57500-25D04	467B-6	59268-11J00	536A-5
55322-11J01	530B-7		467A-8	59300-01820	
55326-11J00	530B-8	57500-25D22	467B-8		535A-17
	550B-5		57531-10D20	467B-12	59300-33DQ0-999

PART NO.	FIG.NO.-REF.NO.	PART NO.	FIG.NO.-REF.NO.	PART NO.	FIG.NO.-REF.NO.
59302-33850	535A-28	63112-28K00	474A-2	68285-28K90-CQQ	485B-10-3
	59303-14500	64111-11J00	550B-1	68285-28KA0-BUA	485A-10-1
59305-36E00	555A-5	64111-28K00-019	550A-1	68285-28KA0-CHP	485A-10-2
	59313-36500	64511-27G00	550A-18	68285-28KA0-CQR	485A-10-3
59315-33D00	535A-21	64610-35F40	550B-22	68319-06L00	496A-3-1
	535A-19		550A-5	68319-06L30	496A-3-2
59350-33D01	535A-22	64651-35F10	550B-15	68319-06L40	496A-3-4
59450-28K00	536A-6		550A-6	68319-06L50	496A-3-3
59480-11J01	536A-7	64711-03F00	550B-6	68319-06L70	496A-3-6
59540-11J00	536A-11		550A-9	68319-06L80	496A-3-7
59560-11J01	536A-12	64712-03F01	550B-16	68319-06LP0	496A-3-5
59600-10G50	537A-1		541A-15	68332-28K01	496A-1
59600-45870	537A-2	64713-03F01	541A-16	68386-14J01	496A-2
59664-32F00	537A-4	64733-06G00	550A-10	68391-06L00	412A-4
59666-44300	537A-3	64741-10F00	550B-17	69100-04810	555A-2
59667-04700	558A-15		550A-4	69100-04820	555A-3
59667-49460	537A-5	64751-27G00	550B-14	69100-06830	555A-15
59668-41C00	537A-6		550A-11	69100-28K00-999	555A-1
59669-05D00	558A-16	65110-28K01	550B-18	69115-06G00	555A-4
59669-10G20	537A-7		550A-21	69132-06G00	555A-16
59671-32F00	537A-8	65311-28K10	550B-25	69133-06G00	555A-17
59675-02FA0	537A-9		550B-2-1	69134-06G00	555A-18
61000-27G31-YAP	541A-1	65311-28K20	550B-2-2	69141-40F00	555A-7
	61196-06G10	65321-11J01	550B-3	69142-45000	535A-12
61196-27G20	558A-28	65322-11J01	550B-4		535A-27
61211-06G00	541A-6	65710-28K00	533A-13	69150-28K00	555A-14
61214-19F10	541A-7	65731-28K00	533A-15	69182-04F00	555A-9
61251-31E00	541A-5	68110-28K40-CGN	420B-2-1	69185-04F00	555A-10
61273-27G01	541A-9	68110-28K40-CQP	420B-2-2	69186-04F00	555A-11
61310-16G00	541A-19	68110-28K40-CQQ	420B-2-3	69200-28K01	558A-24
61410-03F00	541A-12	68111-47C10-019	420A-2-3	69211-06G10	550A-2
61421-33D01	541A-13	68111-47C10-YD8	420B-3-2		550B-12
61422-33D01	541A-14		420A-2-1	69260-11J00	558A-31
62100-28K01-019	543A-17	68111-47C10-YLF	420A-2-2	69266-27G00	558A-32
62600-06872	543A-1	68241-11J01	420B-3-1	69400-11J01	558A-25
62621-19D00	543A-9		420B-3-2	69600-06G00	558A-1
62641-06G00	543A-13	68275-28K80-B5Z	485C-8	69600-34821	558A-2
	62658-19F00	68275-28K90-CGN	485B-8-1	69641-06G00	558A-35
62684-12C00	543A-5	68275-28K90-CQP	485B-8-2	69670-03G00	558A-5
62684-40A10	543A-6	68275-28K90-CQQ	485B-8-3	69672-00B20	558A-7
	63111-28K00	62621-19D00	485A-8-1	69674-00B20	558A-9
63111-28K00	474A-1	68275-28KA0-BUA	485A-8-1	69686-34200	558A-8
		68275-28KA0-CHP	485A-8-2	69689-49300	537A-10
		68275-28KA0-CQR	485A-8-3	69691-04A00	558A-3
		68275-28KA0-CQR	485A-8-3	69692-19A00	558A-4
		68281-47HA0	423A-4	69693-05A00	558A-6
		68285-28K80-B5Z	485C-10	69730-28K00	558A-21
		68285-28K90-CGN	485B-10-1	69740-01D02	558A-14
		68285-28K90-CQP	485B-10-2	69750-28K00	558A-19

PART NO.	FIG.NO.-REF.NO.	PART NO.	FIG.NO.-REF.NO.	PART NO.	FIG.NO.-REF.NO.	
70000	94462-28K00	485B-11	533A-14			
		485C-11	536A-10			
		485A-12	533A-12	01547-0616B		
		485B-12	189A-10	01547-0620A		
		485C-12	212A-36			
		94470-11J00-291	483A-2	01547-0620B		
		94479-35F00	474A-4			
		94480-11J00-291	483A-4	01547-0625A		
		94491-11J00-291	483A-6			
		94510-28K00	481A-19	01547-0650A		
90000	94630-28K00	481B-19	187A-17			
		94520-11J00	483A-12	01550-0610A		
		94530-11J00	483A-13	01550-0612A		
		94540-11J00	483A-14			
		94612-31F00	474A-5			
		94630-28K00	481A-9			
			481B-9			
			474A-8	01550-0616A		
			330A-7	01550-0620B		
			505A-11			
94414-28K00	00000	92213-33G00	312A-16	01550-0625A		
		94402-28K00-QRE	481A-22-2	01550-0812A		
		94402-28K00-QSY	481B-22-1	01550-0816A		
		94402-28K00-YKV	481A-22-1			
		94402-28K00-YKY	481B-22-2	99011-28K57-01A	496A-4-5	
			481A-22-3	99011-28K57-01E	496A-4-1	01550-0820A
		94411-28K00	481B-22-3	99011-28K57-01F	496A-4-2	
			481A-8	99011-28K57-01H	496A-4-3	01550-0835A
		94413-28K00	481B-8	99011-28K57-01K	496A-4-4	
			485A-1	99011-28K57-029	496A-4-6	01550-1025A
94420-28K80-YUH	01421-0625A	485B-1	180A-12	02112-0510A		
		485C-1	02112-0525B	355A-6		
		485A-2	02112-0530B	355A-2		
		485B-2	02112-0550B	355A-3		
		485C-2	02112-0612A	206A-42		
		485C-7	212A-13			
		94420-28K90-YKY	104A-14	02122-0616B		
		94420-28K90-YU1	105A-14			
		94420-28K90-YVB	105A-8	02122-0680B		
		94420-28KA0-YKY	558A-30	02142-0510A		
94430-28K90-YU1	01547-0612A	94420-28KA0-YUD	415A-8	02142-0516B		
		94420-28KA0-YVB	415A-14			
		94430-28K80-YUH	415A-9	02142-0520B		
		94430-28K90-YKY	415A-15			
		94430-28K90-YU1	472A-4	02142-0612B		
		94430-28K90-YVB	533A-19	02162-0610A		
		94430-28K90-YKY	533A-21	02162-0616A		
		94430-28KA0-YKY	536A-9			
		94430-28KA0-YUD	558A-18			
		94430-28KA0-YVB	558A-20	03141-0516A		
94461-28K00	485A-11	01547-0616A	187A-24	03211-0414B		

PART NO.	FIG.NO.-REF.NO.	PART NO.	FIG.NO.-REF.NO.	PART NO.	FIG.NO.-REF.NO.
03211-0416A	03541-0512A	334A-13	08313-1006B	472A-5	09103-10033
		334A-17	08316-1005A	334A-10	09103-10143
		339A-9		334A-20	09103-10205
		155A-17	08316-1006A	107A-6	09103-10338
		483A-10		140A-26	09103-10347
		481A-17		201A-33	09103-10379
		481B-17		339A-11	09103-12004
		485A-13		350A-26	09103-12054
		485B-13		505A-6	09106-05023
		485C-13		505A-13	09106-06075
03541-0516A	04211-09149	339A-3		505B-6	09106-06098
		405A-4		505B-13	09106-06122
		483A-11	08316-1008A	163A-16	09106-07010
		558A-13	08319-2106A	467A-4	104A-19
		112A-5		467A-11	104A-18
		112A-17		467B-4	105A-18
		104A-5		467B-13	09106-08074
		105A-5	08319-2106B	472A-6	09106-08119
		107A-5	08319-3110A	108A-32	09106-08150
		120A-5		550A-19	09106-08160
04211-13189	04221-04089	212A-8		550B-23	530B-16
		420A-27	08319-3118A	541A-8	550A-3
		420B-28	08322-0105A	333A-12	550B-13
		420B-8	08322-0106A	558A-12	09106-08164
		481A-21	08322-0106B	467B-10	09106-08168
		481B-21	474A-7	474A-7	09106-08178
		420A-11	08322-0110B	481A-7	09106-08193
		420B-12		481B-7	09111-06041
		535A-31	08331-31109	170A-6	09111-06066
		180A-12		180A-15	09111-06085
07120-0610A	07130-0612A	530B-10	08331-3112A	212A-38	09111-06106
		550A-8	08331-3114A	212A-26	09111-10058
		550B-8	08331-3118A	407A-12	09116-06006
		127A-4	08331-31383	170A-13	09116-06111
		170A-10	08331-4130A	112A-3	09116-06171
		187A-9	08332-1104A	415A-27	09116-06176
		127A-16	08332-1106B	415A-18	09116-06181
		170A-2	08332-1108A	180A-9	09116-08133
		303A-7	08361-3506A	301A-8	09118-06017
		543A-21	09100-1208A	407A-7	09118-06097
07130-0635A	08113-6203A	163A-4	09103-06103	104A-8	09119-05023
		206A-37		105A-7	09125-05042
		530A-2	09103-06266	104A-3	462B-16
		530B-3		105A-3	462A-3
		550A-16	09103-06530	112A-6	09128-06013
		550B-10		112A-18	09134-06015
		212A-17	09103-06536	112A-19	09136-05062
		127A-7	09103-06537	180A-13	09139-05091
		212A-34	09103-08365	163A-8	485A-14
		201A-32	09103-08512	412A-2	485B-14

PART NO.	FIG.NO.-REF.NO.	PART NO.	FIG.NO.-REF.NO.	PART NO.	FIG.NO.-REF.NO.
09139-06028	112A-12	09160-20067	201A-13	09206-10016	104A-26
09139-06120	445A-12	09161-10009	536A-13		105A-25
09139-06124	163A-18		558A-27	09206-11007	108A-2
09139-06126	481A-12	09164-08015	524A-15	09206-12006	122A-2
	481B-12		541A-18	09208-06008	415A-26
09139-06139	483A-7	09167-20006	201A-14	09208-08010	415A-16
09139-06192	420A-14	09167-25013	206A-28	09247-12006	108A-26
	420B-15	09167-25021	206A-10	09247-12011	108A-12
	558A-10		206A-29	09248-16012	108A-20
09139-06211	445A-7		206A-30		112A-23
	481A-5	09167-25028	206A-45	09250-06015	524A-16
	481B-5	09168-06023	104A-10	09259-26011	112A-21
09139-06212	423A-5		105A-10	09261-04001	170A-5
09139-06225	541A-20		108A-25	09261-04002	180A-18
09139-08023	122A-4		112A-20	09261-06002	170A-12
09140-06025	212A-37	09168-08008	180A-4	09262-10014	180A-8
09140-20001	201A-12	09168-08016	108A-19	09262-17046	206A-12
09148-05038	481A-13	09168-12002	108A-13	09262-20145	206A-13
	481B-13		108A-27	09262-25006	212A-11
09148-05052	481A-24	09168-12017	187A-26	09262-25190	206A-34
	481B-24	09168-16002	108A-21	09262-32024	550A-14
	485A-15		112A-24		550B-20
	485B-15	09169-06062	112A-13	09263-10014	201A-25
	485C-15	09169-08049	412A-3	09263-12027	201A-26
09148-06020	481A-14	09169-25001	206A-31	09263-15003	201A-27
	481B-14	09180-06248	339A-10	09263-17053	541A-4
09159-10115	543A-20	09180-06263	483A-8		543A-3
09159-12056	108A-31	09180-06296	533A-6	09263-17057	543A-4
	543A-8	09180-06310	185A-7	09263-20115	206A-36
	543A-11	09180-06346	467B-9	09263-20121	543A-2
	543A-16		541A-11	09263-25018	212A-12
09159-18007	550A-12	09180-08152	163A-10	09263-25069	206A-21
	550B-19	09180-08156	163A-14	09263-25073	541A-3
09159-20004	206A-44	09180-12122	543A-10	09267-30010	524A-3
09160-05501	339A-2		543A-15		524A-4
09160-06077	339A-12	09180-17067	530A-9	09280-04004	104A-23
09160-06130	472A-3		530B-2		105A-23
09160-06131	462A-6	09180-20112	550A-13		108A-7
	462B-5		550B-9		108A-9
09160-08140	163A-13	09180-20118	541A-2		108A-16
09160-10020	201A-23	09181-10158	170A-4	09280-13007	108A-10
09160-12011	212A-35		180A-17	09280-15007	108A-11
09160-12036	303A-5	09181-14167	212A-22	09280-17003	112A-8
09160-12037	543A-7	09181-17195	206A-32	09280-18008	187A-8
09160-12061	407A-8	09181-20195	206A-33	09280-22001	180A-14
09160-14016	212A-21	09181-25160	178A-4	09280-22008	112A-22
09160-15045	201A-24	09181-25167	206A-11	09280-24010	206A-49
09160-18022	407A-10	09200-06037	558A-11	09280-26005	212A-40
09160-19025	550A-20	09206-08001	104A-2	09280-46007	104A-13
	550B-24		105A-2		105A-13

PART NO.	FIG.NO.-REF.NO.	PART NO.	FIG.NO.-REF.NO.	PART NO.	FIG.NO.-REF.NO.
09280-55002	178A-2	09381-20004	120A-10	09440-17009	212A-24
09280-63003	474A-9	09401-08411	187A-15	09443-06012	350A-20
09282-10012	201A-28	09401-10410	140A-23	09443-14058	407A-4
09283-06008	201A-29	09401-11413	427A-10	09443-19011	407A-5
		09401-12404	558A-23	09448-18022	415A-17
09283-14005	212A-23	09401-12414	187A-24	09448-41005	407A-11
09283-36011	206A-35	09401-13417	558A-22	09462-00007	310A-5
09285-10004	201A-30	09401-14301	155A-12	09471-12140	339A-7
09285-28004	550A-17	09401-15101	189A-8	09471-12186	334A-4
	550B-11				334A-8
09285-39001	550A-15	09401-16407	178A-7		334A-14
	550B-21	09401-16409	178A-8		334A-18
09289-04002	126A-10	09401-17201	189A-9		333A-5
09320-04011	163A-21	09401-20405	155A-14	09471-12188	333A-7
09320-06504	420A-29	09401-24002	187A-27	09471-12216	333A-7
		09401-25001	187A-29	09471-12222	333A-6
09320-07014	333A-8	09401-29001	187A-5	09481-03501	350A-2
09320-08028	481A-11	09401-30003	187A-28	09481-10504	350A-3
	481A-20	09403-06324	536A-18	09481-15504	350A-4
	481B-11	09403-07344	536A-17	09481-25504	350A-5
	481B-20	09403-16412	536A-8	09481-30101	312A-3
09320-08066	163A-19	09403-26402	350A-14	09482-00646	104A-11
09320-09016	112A-14	09404-06030	108A-36		105A-11
	445A-8		350A-15	09493-26007	108A-17
	481A-6		420A-34	09493-28010	108A-6
	481A-15		420B-35	09493-36004	108A-8
	481B-6	09404-06429	108A-35	09493-80005	104A-22
	481B-15		187A-18		105A-22
	483A-9		312A-14	09800-21102	474A-10
09320-10061	533A-7		334A-21	09816-00059	474A-11
09320-10501	185A-5		350A-16	09816-00149	474A-12
09320-12048	163A-11	09404-08422	212A-41	09817-00035	474A-13
09320-12049	163A-15	09407-10404	350A-22	09817-00037	474A-14
09320-20011	445A-11	09407-14403	350A-17	09817-00039	474A-15
09321-08006	505A-3	09407-14407	163A-23		
	505B-3		352A-5		
09321-10001	445A-14		355A-4		
09329-18001	185A-6		533A-16		
	420A-24	09407-17403	312A-12		
	420A-26	09407-18402	312A-13		
	420B-25		350A-18		
	420B-27	09408-00266	533A-17		
09352-35654-320	180A-19	09408-00267	178A-9		
09360-10062	536A-14	09409-06314	423A-6		
	536A-15		481A-16		
	558A-26		481B-16		
09360-10064	536A-16	09409-06322-5PK	185A-13		
09367-06009	427A-9	09409-06328	445A-15		
09367-08005	420A-33	09409-08308	533A-10		
	420B-34	09409-10313	445A-9		
	206A-14	09420-04008	303A-8		

SUZUKI **DL650M4** PARTS CATALOGUE

SUZUKI MOTOR CORPORATION All rights reserved

No part of this document may be reproduced or transmitted in any form or by any means, electronic or mechanical, for any purpose, without the express written permission of Suzuki Motor Corporation.

SUZUKI MOTOR CORPORATION

Service Material Development Group, Automobile & Motorcycle Service Engineering Dept.
300 Takatsuka, Minami, Hamamatsu, Japan

SUZUKI MOTOR CORPORATION