

SUZUKI

PARTS CATALOGUE

GSX1300RRQM4

(EJ11A)

E01



2023-6

1ST EDITION

PREFACE

When it becomes necessary to replace parts on SUZUKI MOTORCYCLES, always use SUZUKI GENUINE PARTS which have passed a strict inspection which guarantees quality and performance.

This parts catalogue covers the list of all service parts for SUZUKI GSX1300RRQM4.

INSTRUCTIONS FOR QUOTING THE CATALOGUE

1. DIMENSIONS

Dimensions of the parts in this catalogue are indicated in unit millimeters.

2. ABBREVIATIONS

Abbreviations used in this catalogue are as follows:

AR	: As required	NT	: Number of teeth
ASSY	: Assembly	OPT	: Optional
E. NO.	: Engine number	OS	: Over size
F. NO.	: Frame number	STD	: Standard
D	: Diameter of material	T	: Thickness
ID	: Inside diameter	US	: Under size
OD	: Outside diameter	W	: Width
L	: Length		
LH	: Left hand side		
RH	: Right hand side		
~100045	: Up to F. NO. 100045		
100046~	: From F. NO. 100046		
12 x 34 x 5.6.....	Figures in the description column		
	show the dimensions of parts.		
ID OD T(or W, L)			

→12345-56781 (Parts No.) : indicates that the parts number was changed to 12345-56781 and the new parts are interchangeable with the former ones but the former ones are not interchangeable with new ones.

←12345-56781 (Parts No.) : indicates that the former and new parts are interchangeable with each other and both are usable.

3. INNER PARTS OF ASSEMBLY

Part name with a dot (.) in front as shown in the description column indicates the component of the assembly also available individually.

4. MODIFICATION NOTICE

A parts bulletin will be sent to you on all occasions when changes in parts occur, including interchangeable modifications between new parts and old ones.

5. NOTE

5-1. There are some different parts from those of production models among spare parts for the administrative reasons and common use of them with other models.

5-2. In respect of rubber hoses and vinyl tubes, please be sure to use them by cutting off according to the length mentioned on parts catalogue or what is actually required on the vehicle.

5-3. Note that the drawings on the illustration page are for ready reference of spare parts number, not to be used as an assembly manual.
When assembling, use "SUZUKI SERVICE MANUAL".

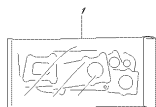
6. SPECIFICATION CODE

This catalogue contains the parts for the model designed for the following spec. :
spec. code : E01.

7. SERIAL FRAME NUMBER

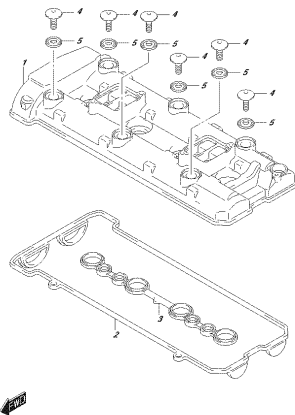
GSX1300RRQM4 : JS1EJ11AZR7100001~

FIG. 101A



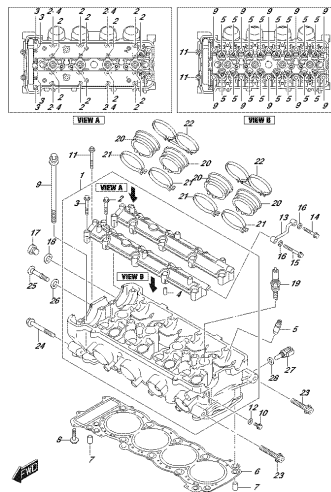
OSKYPORRAN, EPL, 101A
CRAHEF 027

FIG. 102A



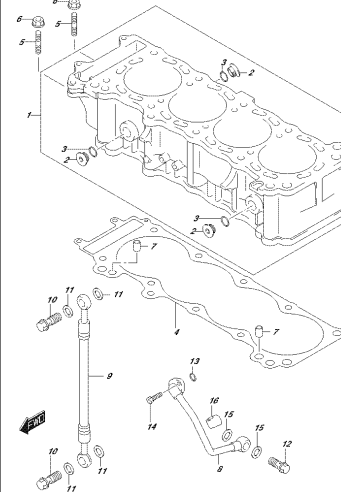
OSKYPORRAN, EPL, 102A
CULAKBEH 028

FIG. 103A



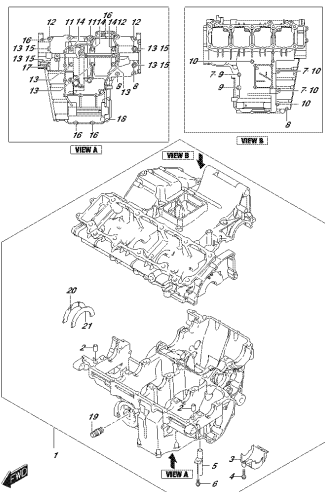
OSKYPORRAN, EPL, 103A
CULAKBEH 029

FIG. 107A



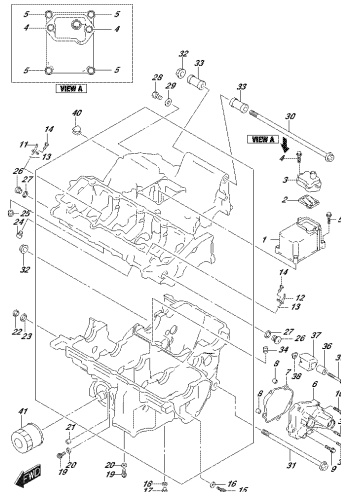
OSKYPORRAN, EPL, 107A
CULAKBEH

FIG. 108A



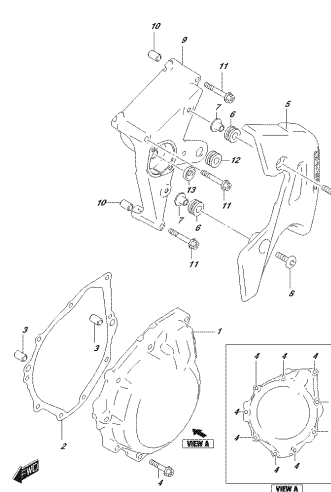
OSKYPORRAN, EPL, 108A
CRAHCHSE

FIG. 109A



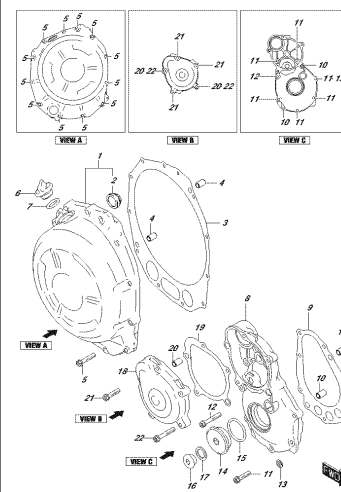
OSKYPORRAN, EPL, 109A
CRAHCHSE 02

FIG. 113A



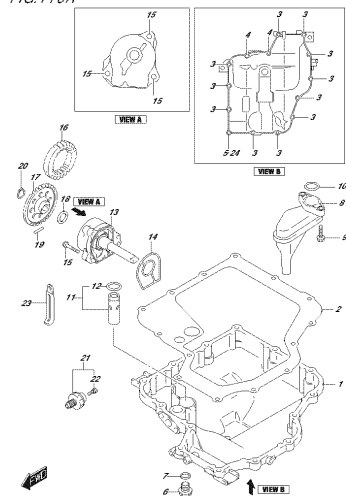
OSKYPORRAN, EPL, 113A
HAKKEDCHSE

FIG. 114A



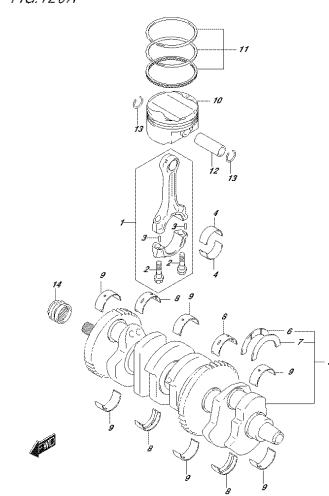
OSKYPORRAN, EPL, 114A
CULTEKCHSE

FIG. 116A



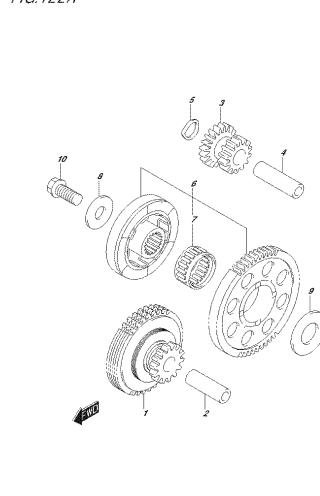
OSKYPORRAN, EPT, 116A
 OEL-PUMPE PLUMP

FIG. 120A



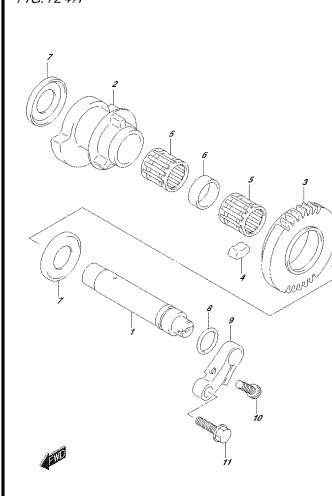
OSKYPORRAN, EPT, 120A
 CRANKSCHFT

FIG. 122A



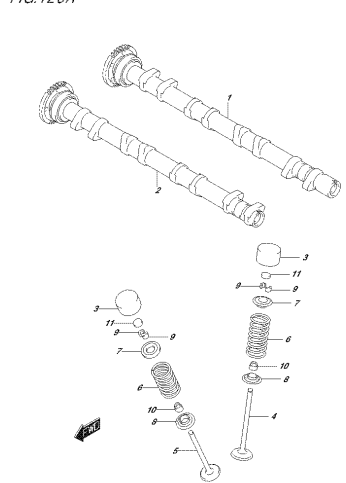
OSKYPORRAN, EPT, 122A
 SCHWELLENLÖSUNG

FIG. 124A



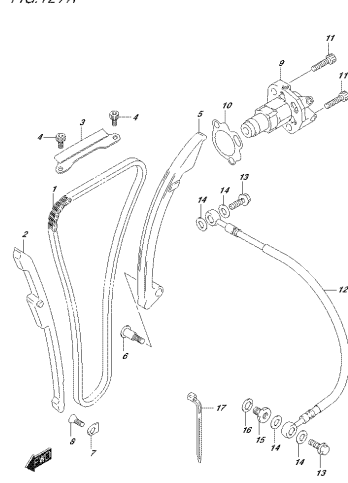
OSKYPORRAN, EPT, 124A
 CRANKSCHFT

FIG. 126A



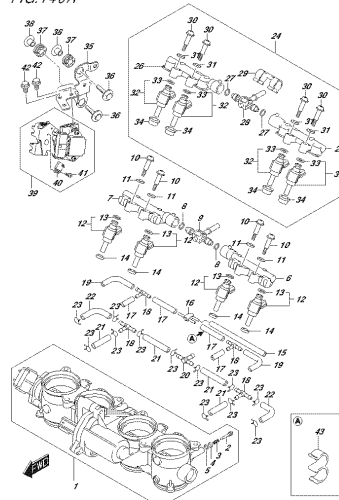
OSKYPORRAN, EPT, 126A
 KANNSCHFTKLE

FIG. 127A



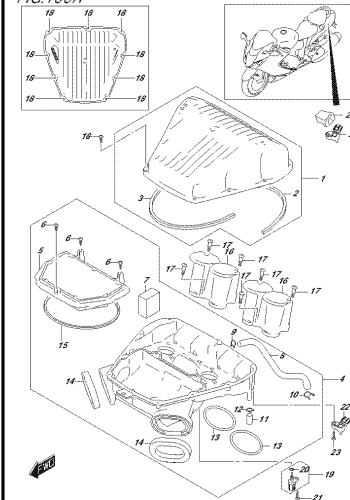
OSKYPORRAN, EPT, 127A
 KANNSCHFT

FIG. 140A



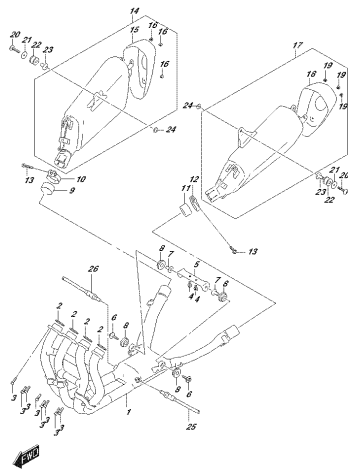
OSKYPORRAN, EPT, 140A
 TIMBELTLÖSUNG

FIG. 155A



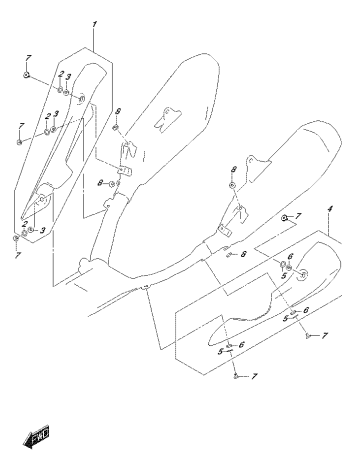
OSKYPORRAN, EPT, 155A
 AIRFILTER

FIG. 163A



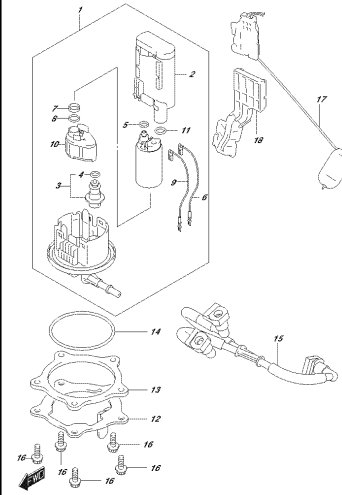
OSKYSBOPORAM, EPT., 163A
SUFFLER

FIG. 164A



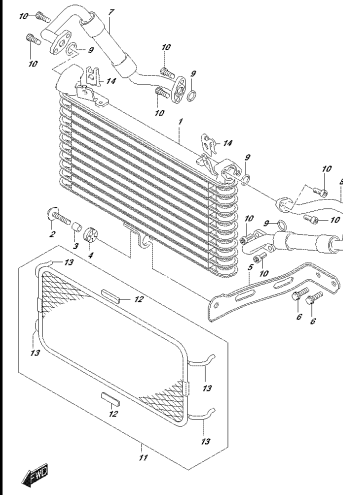
OSKYSBOPORAM, EPT., 164A
SUFFLERPUMP

FIG. 172A



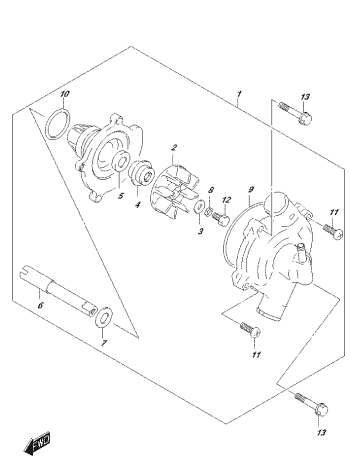
OSKYSBOPORAM, EPT., 172A
FUELPUMP

FIG. 178A



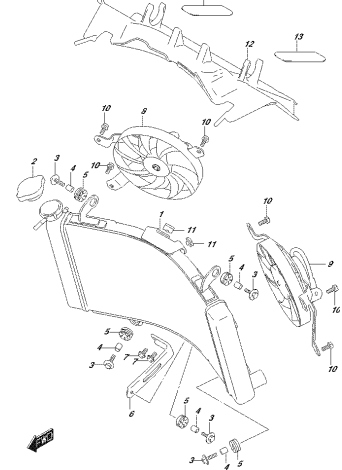
OSKYSBOPORAM, EPT., 178A
OELCOOLFAN

FIG. 180A



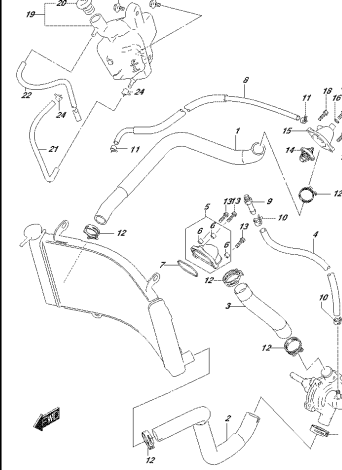
OSKYSBOPORAM, EPT., 180A
WATERPUMP

FIG. 185A



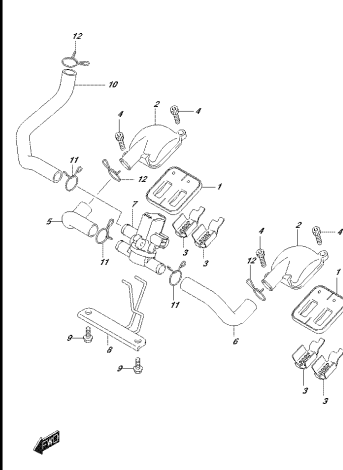
OSKYSBOPORAM, EPT., 185A
RADIATOR

FIG. 187A



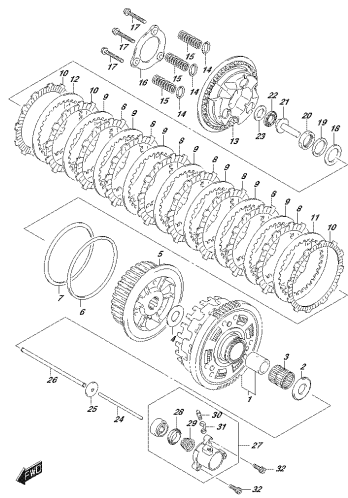
OSKYSBOPORAM, EPT., 187A
RADIATORHOSE

FIG. 189A



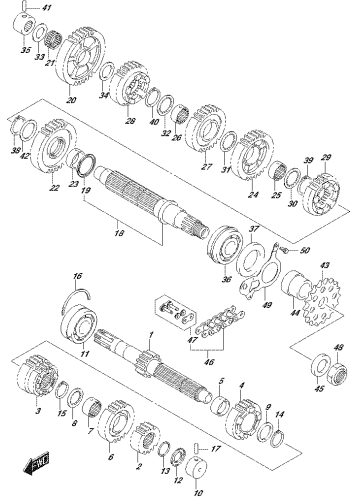
OSKYSBOPORAM, EPT., 189A
RADIATOR

FIG.201A



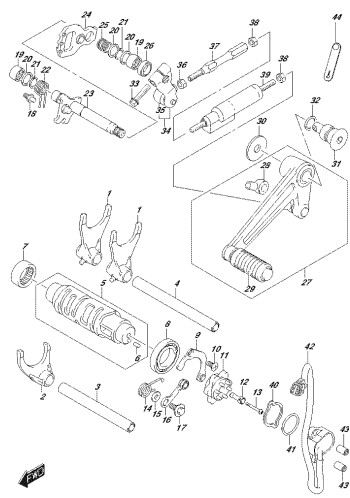
OSKYBOPPRAM, EP_L_0014
ECLU707

FIG.206A



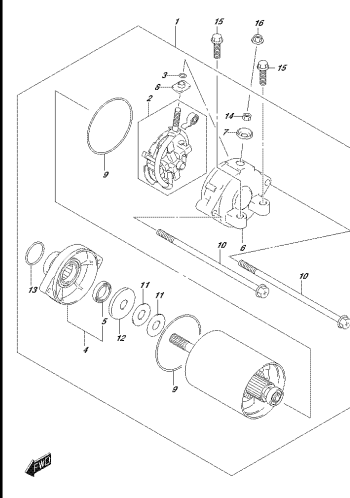
OSKYBOPPRAM, EP_L_0024
TRV408000A

FIG.212A



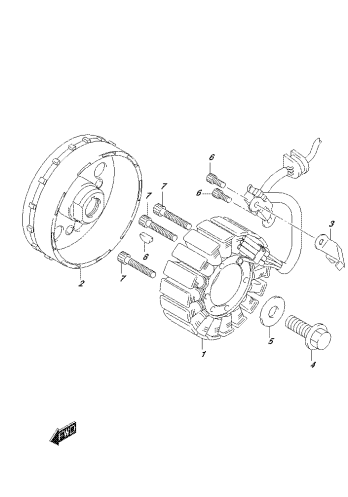
OSKYBOPPRAM, EP_L_0024
OS4K030770B

FIG.301A



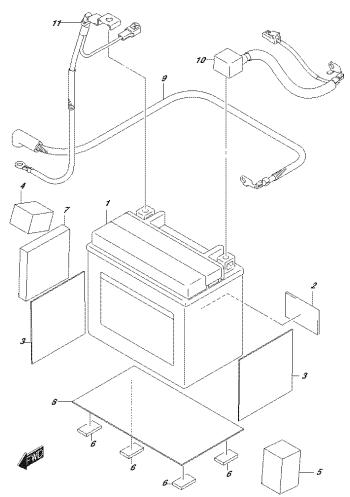
OSKYBOPPRAM, EP_L_0014
OS4000610070F

FIG.303A



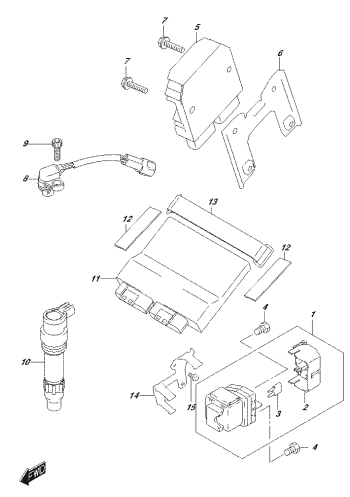
OSKYBOPPRAM, EP_L_0014
S4000070

FIG.310A



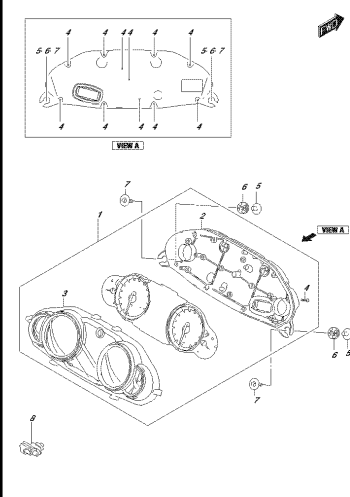
OSKYBOPPRAM, EP_L_0104
S41007

FIG.312E



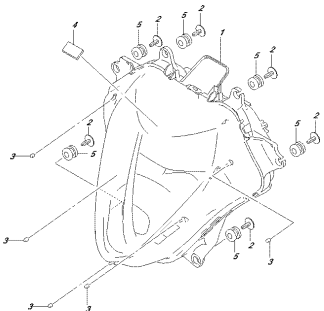
OSKYBOPPRAM, EP_L_010E
ELECTRICAL

FIG.330A



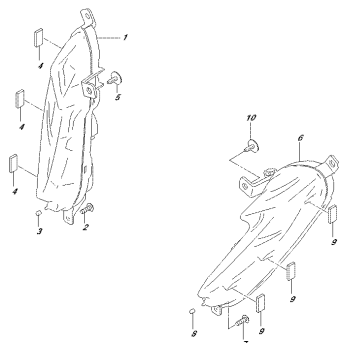
OSKYBOPPRAM, EP_L_0024
SPEEDOMETER

FIG.333A



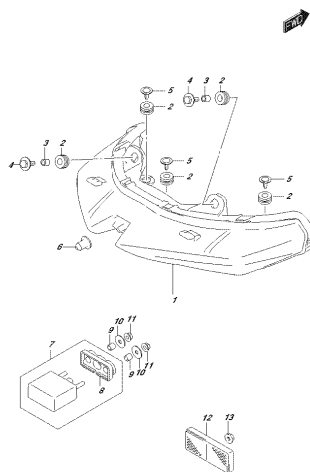
OSKYBOPPRAM, EPT_L_333A
REARVIEW MIRROR

FIG.334A



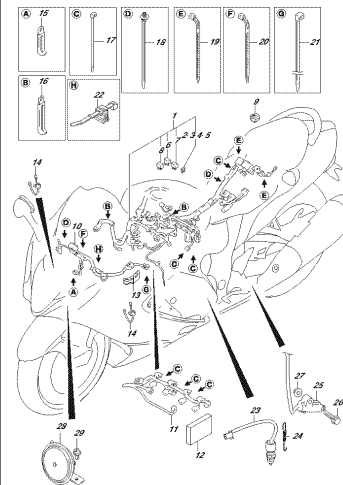
OSKYBOPPRAM, EPT_L_334A
TURN SIGNAL LAMP

FIG.339A



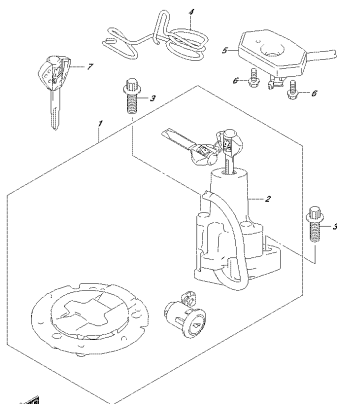
OSKYBOPPRAM, EPT_L_339A
REARVIEW MIRROR LAMP

FIG.350B



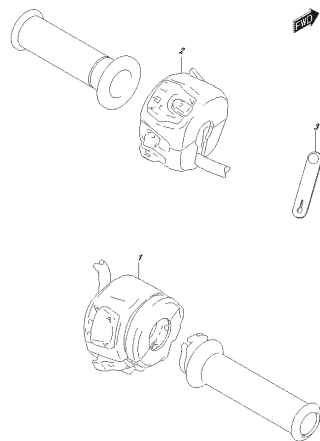
OSKYBOPPRAM, EPT_L_350B
HEADLIGHT ASSEMBLY

FIG.352B



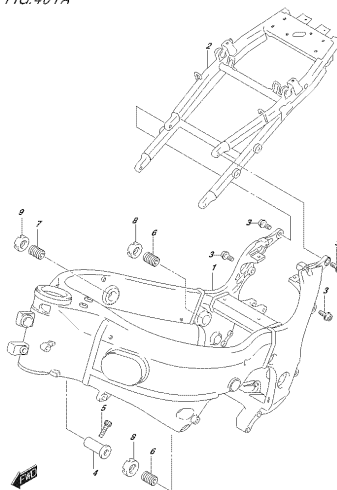
OSKYBOPPRAM, EPT_L_352B
LOCK SET

FIG.355A



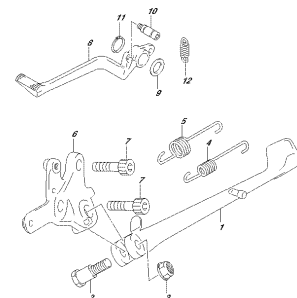
OSKYBOPPRAM, EPT_L_355A
HANDLE SWITCH

FIG.401A



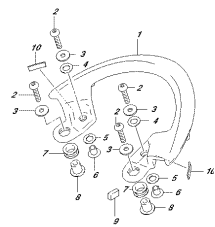
OSKYBOPPRAM, EPT_L_401A
FRAME

FIG.407A



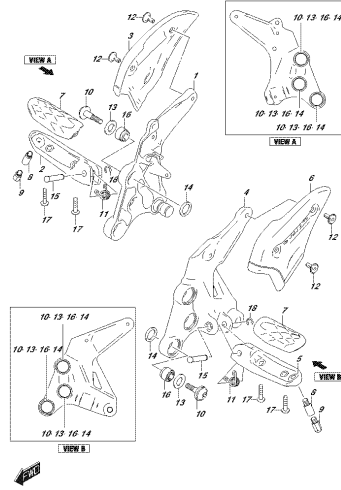
OSKYBOPPRAM, EPT_L_407A
STEERING KNUCKLE

FIG.410A



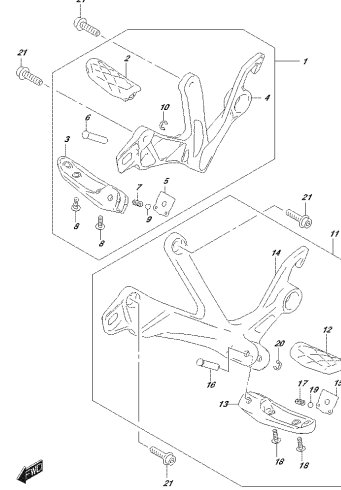
OSKYSIPROGRAM, EPT., 410A
FUEL FILTER W/ WELC

FIG.415A



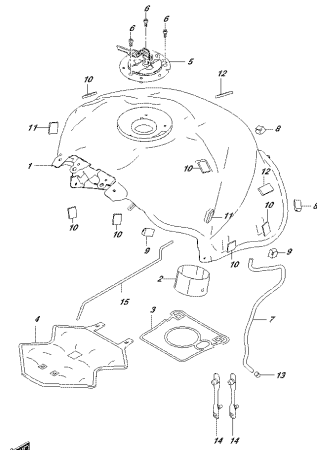
OSKYSIPROGRAM, EPT., 415A
FOOTREST

FIG.417A



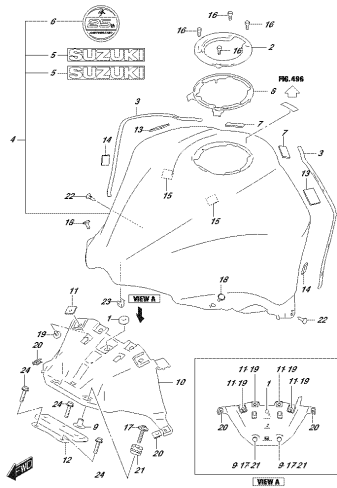
OSKYSIPROGRAM, EPT., 417A
FUEL ON FOOTREST

FIG.420A



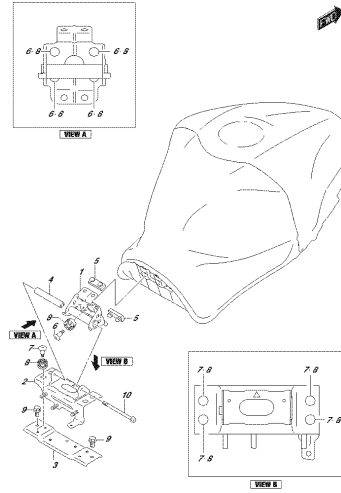
OSKYSIPROGRAM, EPT., 420A
FUEL DRUM

FIG.422A



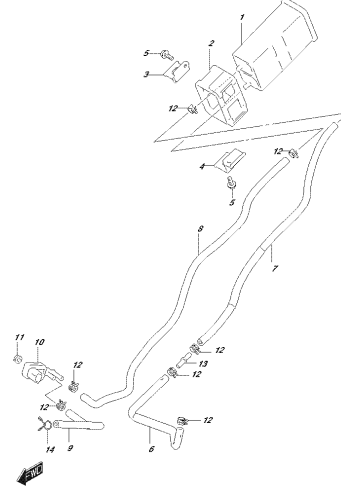
OSKYSIPROGRAM, EPT., 422A
FUEL DRUM FRONT COVER

FIG.425A



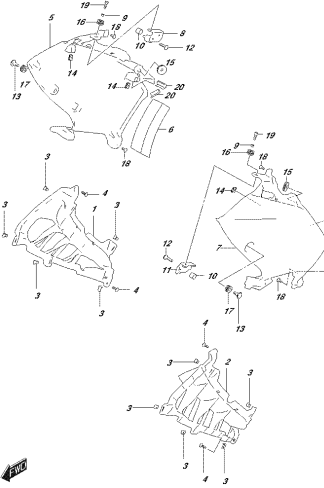
OSKYSIPROGRAM, EPT., 425A
FUEL DRUM BRACKET

FIG.427B



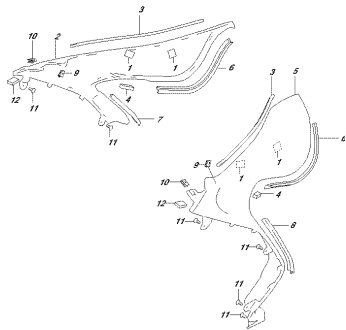
OSKYSIPROGRAM, EPT., 427B
FUEL PUMP SYSTEM

FIG.433A



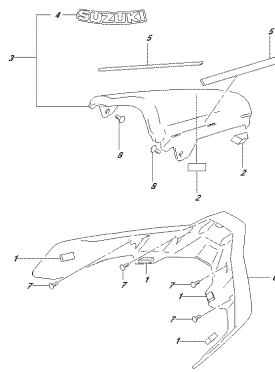
OSKYSIPROGRAM, EPT., 433A
FUEL DRUM

FIG.434A



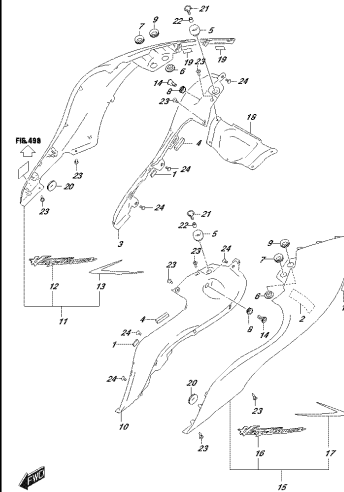
OSKYBOPPRAM, EPT. 461A
SIDE REARVIEW

FIG.443A



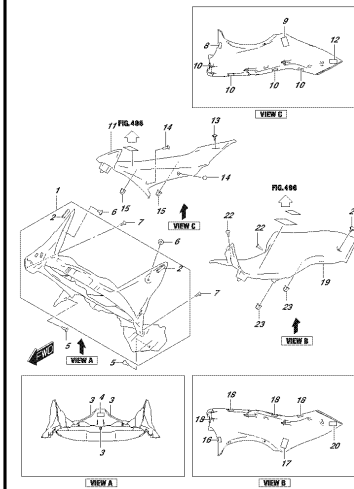
OSKYBOPPRAM, EPT. 462A
FRONT REARVIEW

FIG.445A



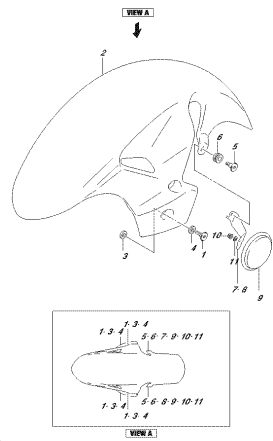
OSKYBOPPRAM, EPT. 463A
FRONT REARVIEW

FIG.453A



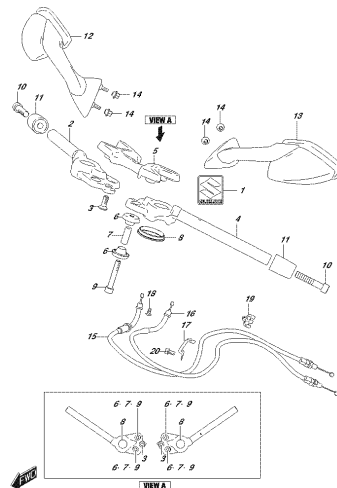
OSKYBOPPRAM, EPT. 464A
REAR VIEW

FIG.460C



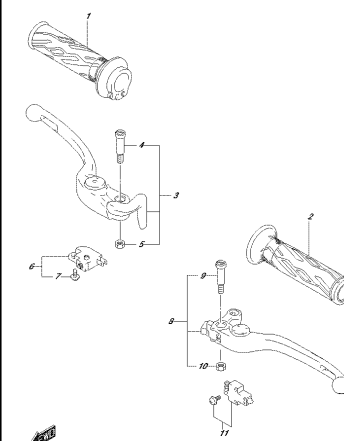
OSKYBOPPRAM, EPT. 461C
FRONT FENDER

FIG.462A



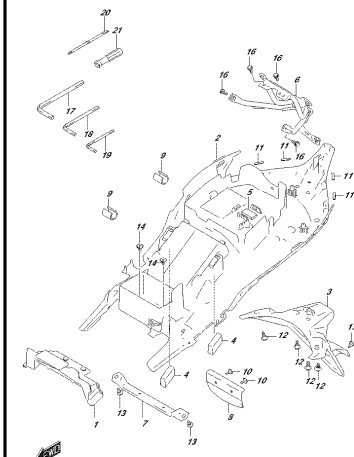
OSKYBOPPRAM, EPT. 462A
HANDLEBAR

FIG.467A



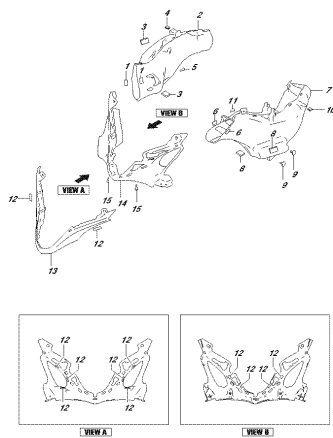
OSKYBOPPRAM, EPT. 467A
HANDLELEDER

FIG.474A



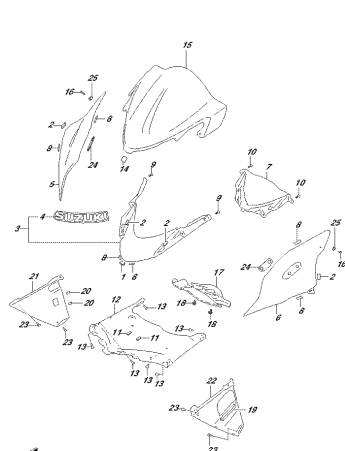
OSKYBOPPRAM, EPT. 474A
REAR FENDER

FIG.480A



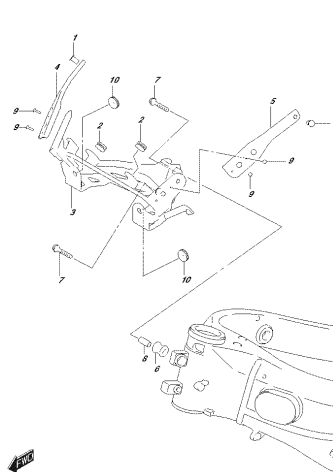
OSKYBIPROJEKCIJA, IĐI.L.480A
A4919978797E

FIG.481A



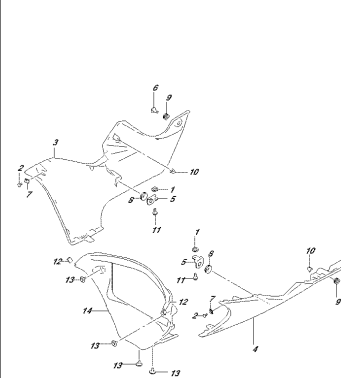
OSKYBIPROJEKCIJA, IĐI.L.481A
COMPO FOR LADY PINK

FIG.482A



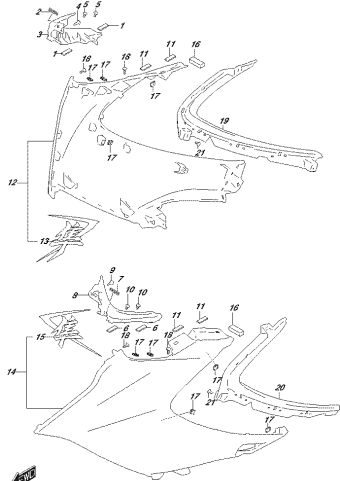
OSKYBIPROJEKCIJA, IĐI.L.482A
COMPO FOR LADY PINK

FIG.483A



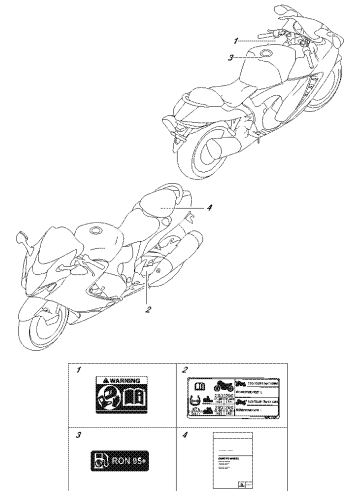
OSKYBIPROJEKCIJA, IĐI.L.483A
LADY PINK

FIG.485A



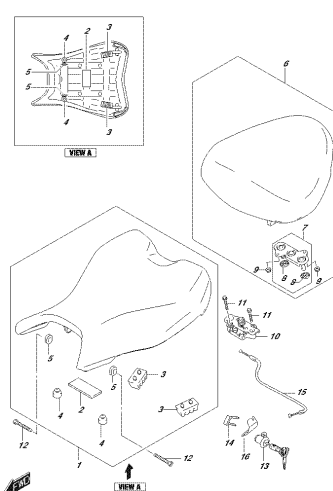
OSKYBIPROJEKCIJA, IĐI.L.485A
SIZE CROWN

FIG.496E



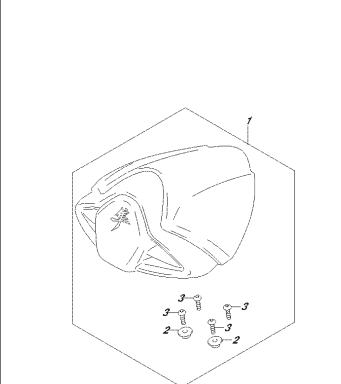
OSKYBIPROJEKCIJA, IĐI.L.496E
LADY

FIG.505A



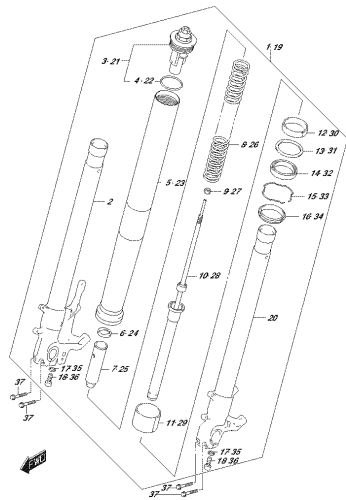
OSKYBIPROJEKCIJA, IĐI.L.505A
SEAT

FIG.507A



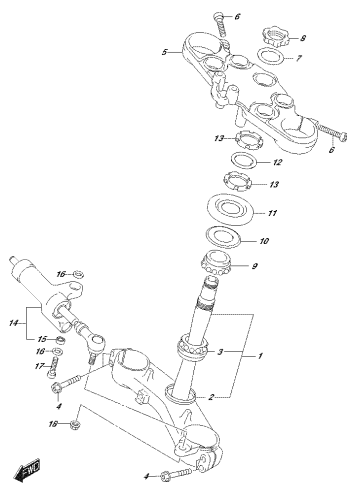
OSKYBIPROJEKCIJA, IĐI.L.507A
SEAT 190 10X

FIG.521A



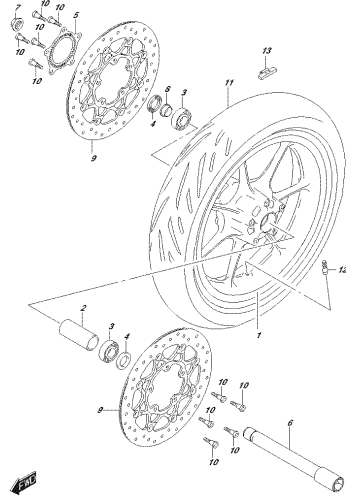
OSKYBOPPRAM, EPT_L_S214
FRONT FORK CARTRIDGE

FIG.524A



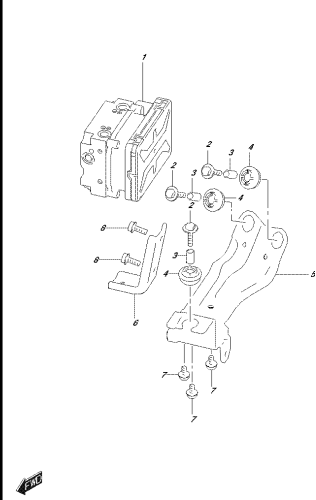
OSKYBOPPRAM, EPT_L_S214
STEERING SYSTEM

FIG.530A



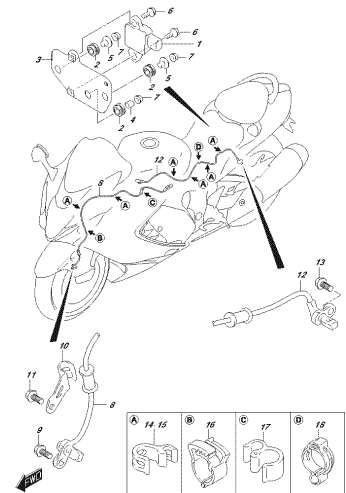
OSKYBOPPRAM, EPT_L_S244
FRONT WHEEL

FIG.533A



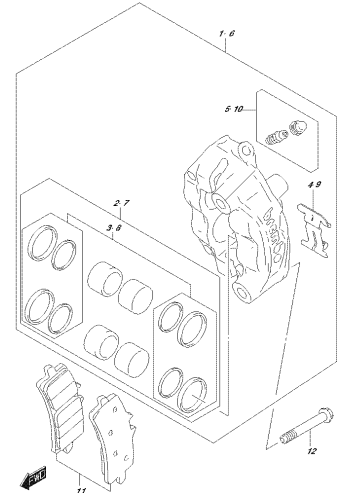
OSKYBOPPRAM, EPT_L_S244
WHEEL HUB UNIT

FIG.534A



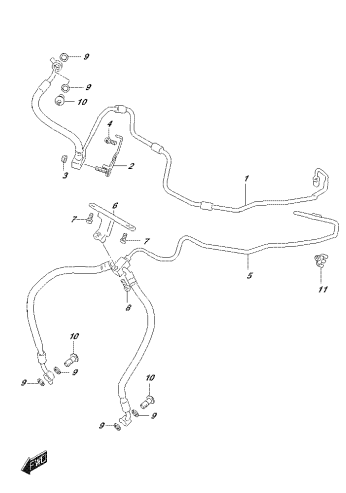
OSKYBOPPRAM, EPT_L_S214
FRONT ELECTRICAL

FIG.535A



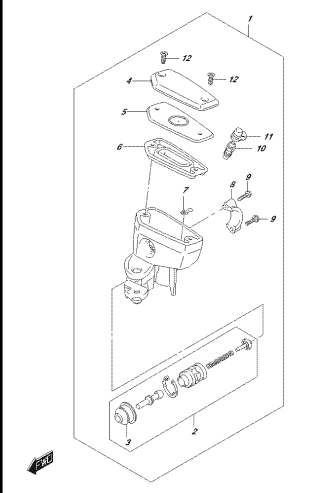
OSKYBOPPRAM, EPT_L_S244
FRONT FAIRING

FIG.536A



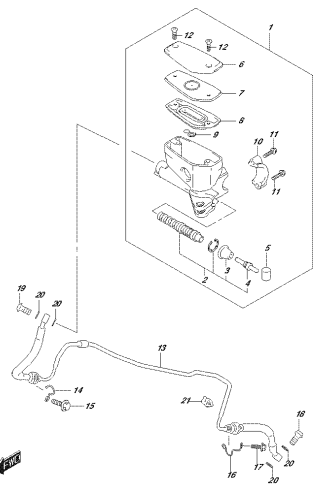
OSKYBOPPRAM, EPT_L_S244
FRONT BRAKE HOSE

FIG.537A



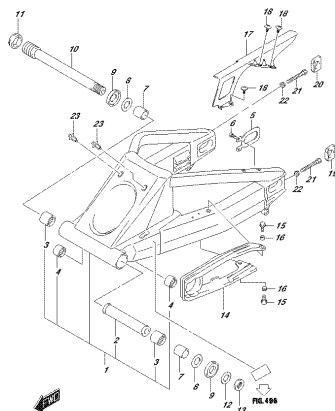
OSKYBOPPRAM, EPT_L_S214
FRONT MASTER CYLINDER

FIG.539A



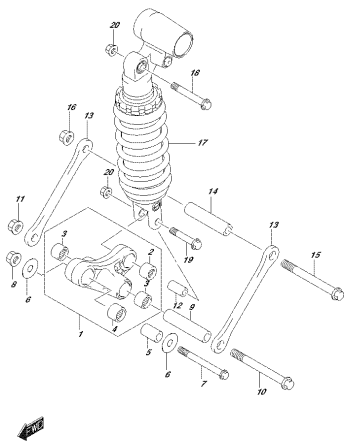
OSKYLBERGPRÅM, EBT, S504
EVLREKMASTERCYLINDER

FIG.541A



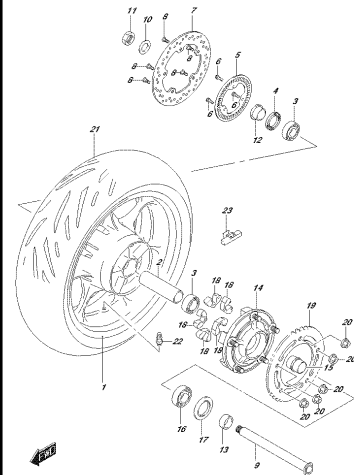
OSKYLBERGPRÅM, EBT, S414
REARWHEELHUB

FIG.543A



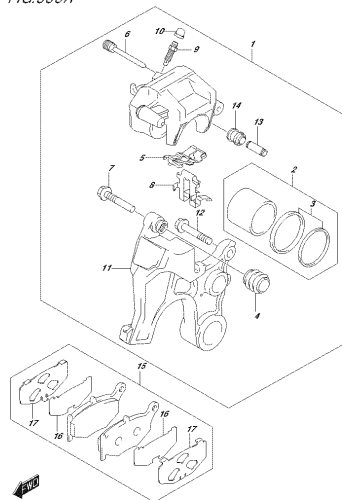
OSKYLBERGPRÅM, EBT, S434
REARWHEELHUB

FIG.550A



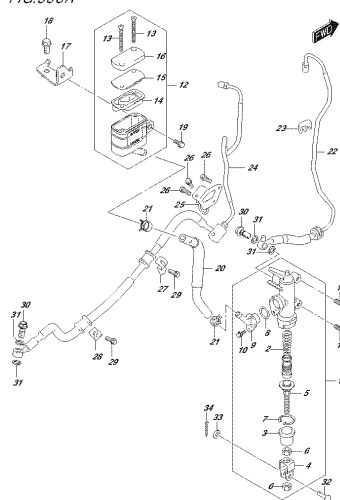
OSKYLBERGPRÅM, EBT, S504
REARWHEEL

FIG.555A



OSKYLBERGPRÅM, EBT, S554
REARAXLE

FIG.558A



OSKYLBERGPRÅM, EBT, S554
REARMASTERCYLINDER

FIG.101A

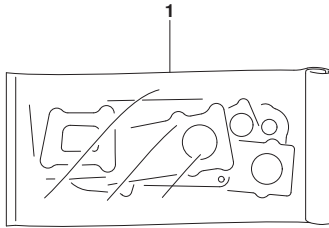


FIG.101A (1-B-2) GASKET SET

REF NO.	PART NO.	DESCRIPTION	Q'TY	REMARKS
1	11400-10810	GASKET SET	1	OPT
2	11141-15H00	.GASKET,CYLINDER HEAD	1	OPT,NOT ILLUSTRATED
3	11173-24F00	.GASKET,CYL HEAD COVER NO.1	1	OPT,NOT ILLUSTRATED
4	11178-15H00	.GASKET,CYL HEAD COVER NO.2	1	OPT,NOT ILLUSTRATED
5	11191-27E00	.WASHER,CYL HEAD COVER (10.6X2 5.5X1.6)	6	OPT,NOT ILLUSTRATED
6	11241-10L00	.GASKET,CYLINDER	1	OPT,NOT ILLUSTRATED
7	11482-24F00	.GASKET,CL COVER	1	OPT,NOT ILLUSTRATED
8	11483-24F00	.GASKET,MAGNETO COVER	1	OPT,NOT ILLUSTRATED
9	11485-24F00	.GASKET,GEAR SHIFT COVER	1	OPT,NOT ILLUSTRATED
10	11489-24F10	.GASKET,OIL PAN	1	OPT,NOT ILLUSTRATED
11	11491-24F01	.GASKET,STARTER CLUTCH COVER	1	OPT,NOT ILLUSTRATED
12	11492-24F00	.GASKET,START IDLE GEAR CAP	1	OPT,NOT ILLUSTRATED
13	12837-02H00	.GASKET,TENSIONER ADJUSTER	1	OPT,NOT ILLUSTRATED
14	14181-04K00	.GASKET,EXHAUST PIPE	4	OPT,NOT ILLUSTRATED

FIG.102A

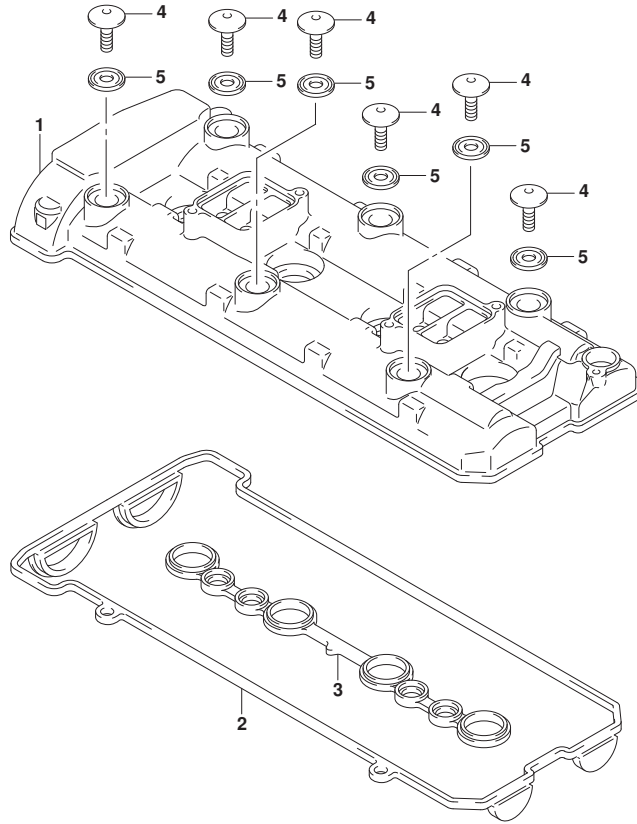
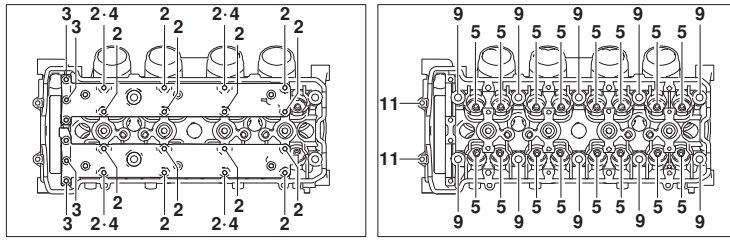


FIG.102A (1-B-3) CYLINDER HEAD COVER

REF NO.	PART NO.	DESCRIPTION	Q'TY	REMARKS
1	11170-15H00	COVER,CYLINDER HEAD	1	
2	11173-24F00	GASKET,CYL HEAD COVER NO.1	1	
3	11178-15H00	GASKET,CYL HEAD COVER NO.2	1	
4	09106-07021	BOLT (7X17.5)	6	
5	11191-27E00	WASHER,CYL HEAD COVER (10.6X25.5X1.6)	6	

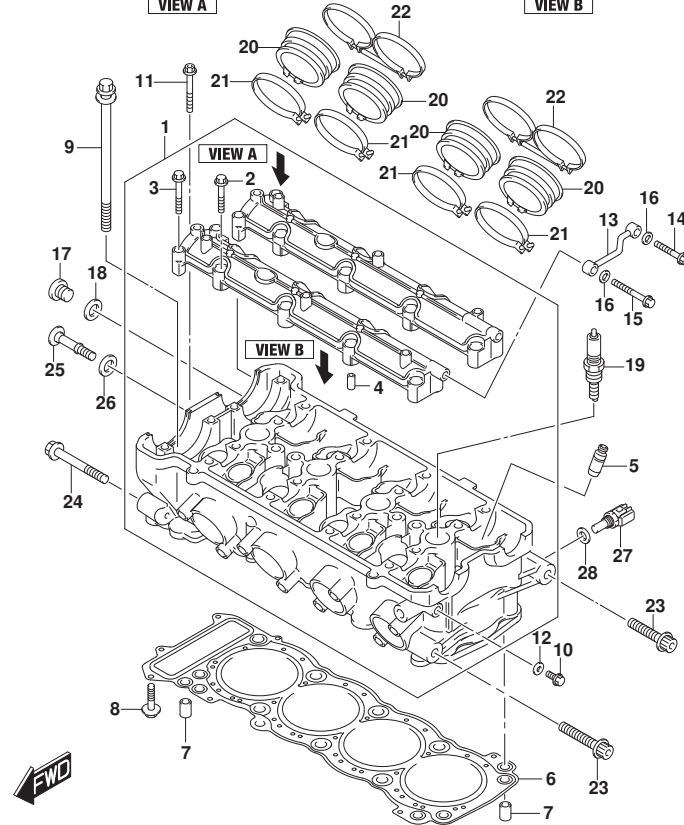


FIG.103A



VIEW A

VIEW B



VIEW A

VIEW B

FIG.103A (1-B-4) CYLINDER HEAD

REF NO.	PART NO.	DESCRIPTION	Q'TY	REMARKS
1	11100-10L00	HEAD ASSY,CYLINDER	1	
2	09103-06266	.BOLT (6X40)	16	
3	09103-06293	.BOLT (6X45)	4	
4	09206-08007	.PIN (6.2X8X16)	4	
5	11115-15H70	GUIDE,VALVE (OS:0.3)	16	OPT
6	11141-15H00	GASKET,CYLINDER HEAD	1	
7	04211-11169	PIN	2	
8	01550-0630A	BOLT (L:30)	1	
9	11117-15H00	BOLT,CYLINDER HEAD (L180)	10	
10	01550-0612A	BOLT	1	
11	07120-0655B	BOLT	2	
12	09168-06023	GASKET (5.8X13X1.2)	1	
13	11131-33E01	PIPE,OIL	1	
14	01550-0635A	BOLT	1	
15	01550-0645A	BOLT (6X45)	1	
16	08322-0106A	WASHER	2	
17	09248-16012	PLUG (16X8)	1	
18	09168-16009	GASKET (16X22X0.8)	1	
19-1	#09482-00558	PLUG,SPARK (CR9EIA-9)	4	
19-2	#09482-00557	PLUG,SPARK (IU27D)	4	
19-3	#09482-00556	PLUG,SPARK (CR8EIA-9)	4	OPT
19-4	#09482-00560	PLUG,SPARK (CR10EIA-9)	4	OPT
19-5	#09482-00555	PLUG,SPARK (IU24D)	4	OPT
19-6	#09482-00559	PLUG,SPARK (IU31D)	4	OPT
20	13111-10L00	PIPE,INTAKE	4	
21	09402-60208	CLAMP	4	
22	13170-08J00	CLAMP,INTAKE PIPE	2	
23	09106-10069	BOLT (10X45)	2	
24	09106-10084	BOLT (10X60)	2	
25	11161-33E00	BOLT,CYL HEAD SIDE FACE	1	
26	11191-13E00	WASHER,HEAD COVER	1	
27	13650-49X00	SENSOR,TEMP	1	
28	09168-12017	GASKET (12X17X1)	1	

FIG.107A

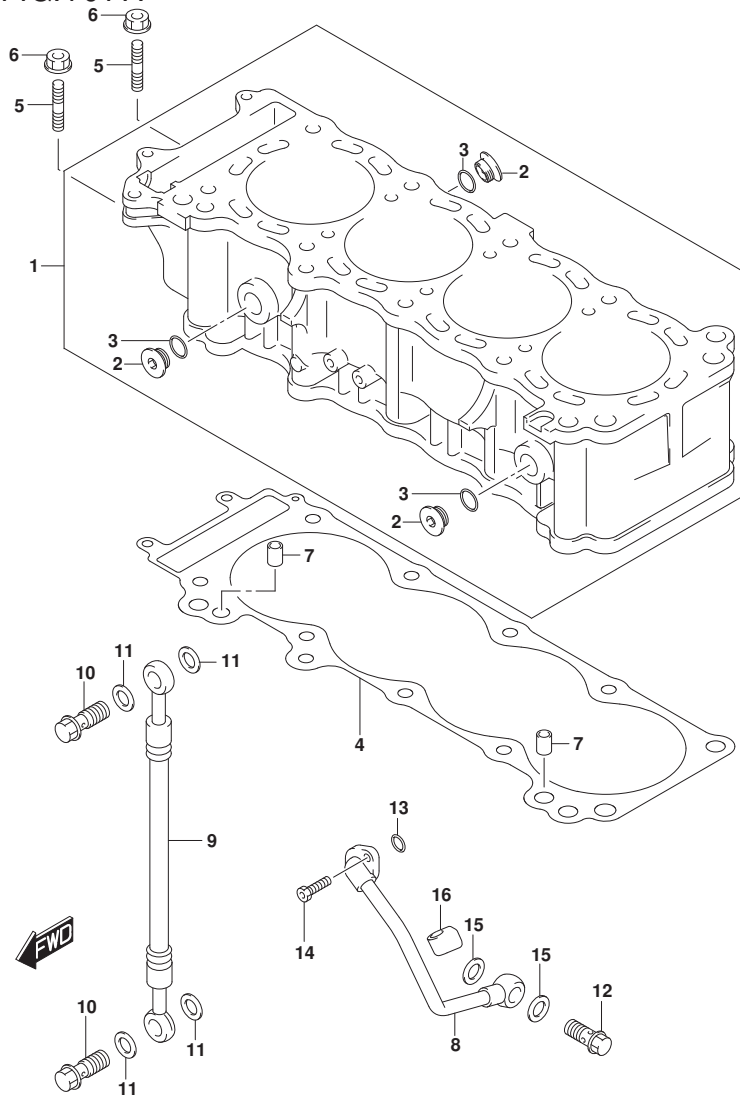


FIG.107A (1-B-5) CYLINDER

REF NO.	PART NO.	DESCRIPTION	Q'TY	REMARKS
1	11210-15H00-0F0	CYLINDER	1	
2	11318-35F00	.PLUG,WATER JACKET	3	
3	09280-20002	.O-RING (D:3.1,ID:19.4)	3	
4	11241-10L00	GASKET,CYLINDER	1	
5	01421-0625A	BOLT,STUD	2	
6	08316-1006A	NUT (6X12)	2	
7	04211-11169	PIN	2	
8	11280-24F00	PIPE,CRANKCASE OIL	1	
9	11282-10L00	HOSE,CYL HEAD OIL	1	
10	09360-10062	UNION (10X1.25X22)	2	
11	09168-10007	GASKET (10.1X16X1)	4	
12	09360-14012	UNION (14X27)	1	
13	09280-12012	O-RING (D:2.4,ID:11.8)	1	
14	09106-06073	BOLT (6X16)	2	
15	09168-14015	GASKET (14X20X1.5)	2	
16	11283-24F01	CUSHION,CRANKCASE OIL PIPE	1	

FIG.108A

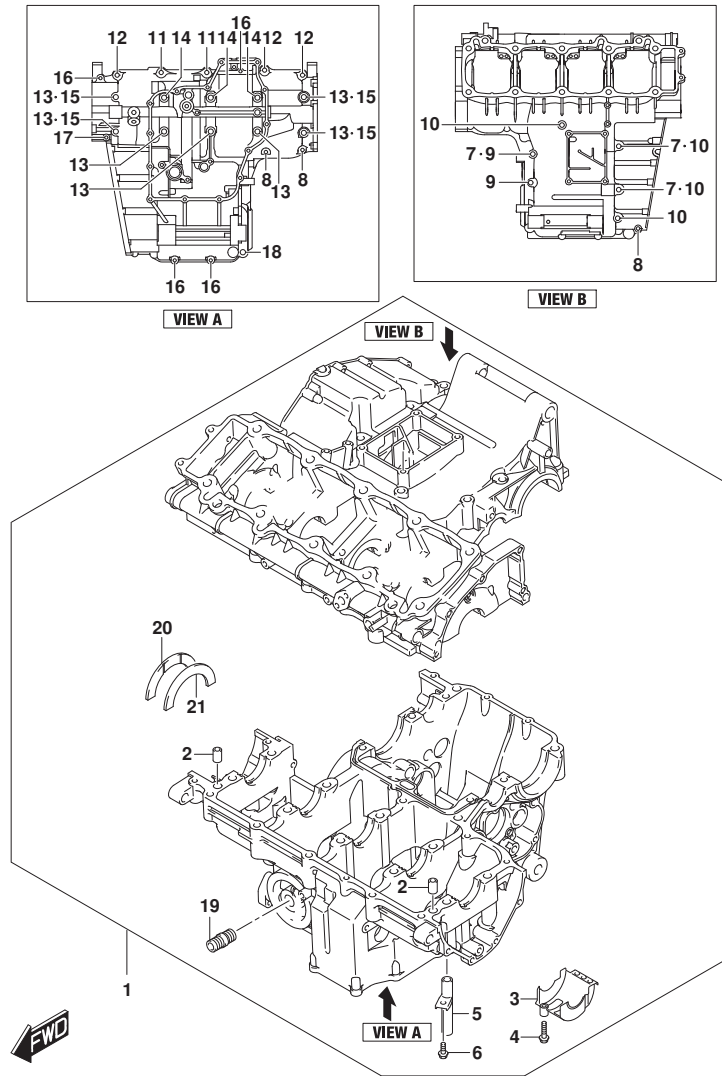
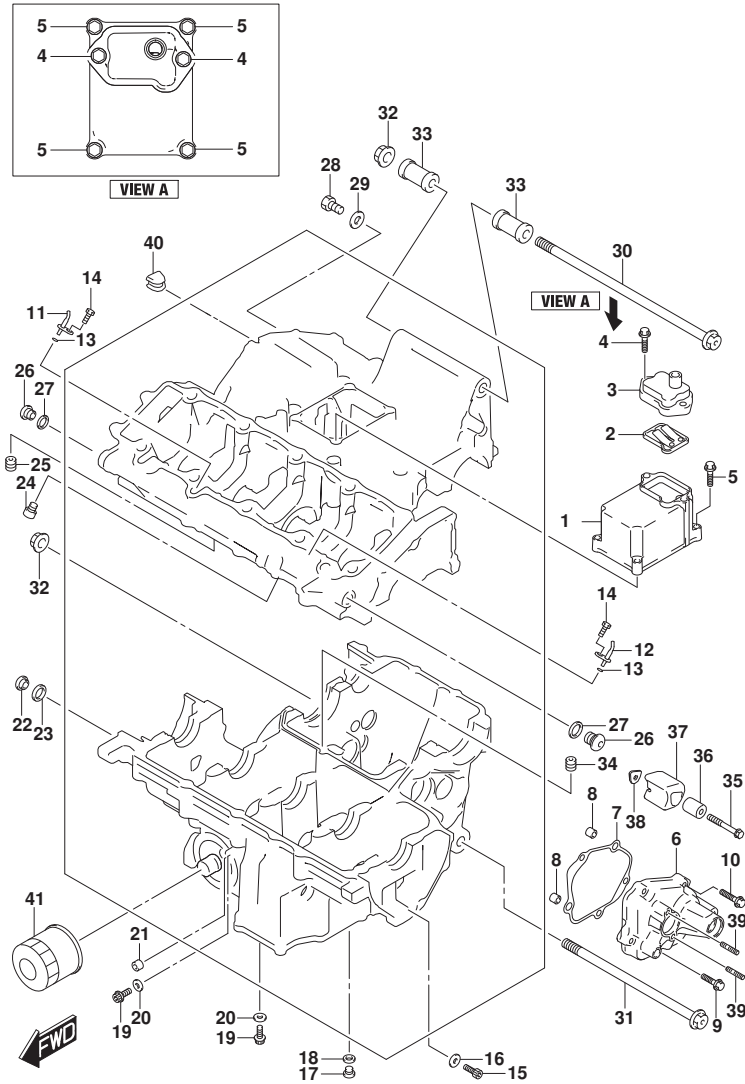


FIG.108A (1-B-6) CRANKCASE

REF NO.	PART NO.	DESCRIPTION	Q'TY	REMARKS
1	11300-10810	CRANKCASE SET	1	
2	11319-33E50	.PIN,CRANKCASE	4	
3	11323-24F10	.SEPARATOR,OIL	1	
4	01547-0625A	.BOLT	1	
5	11328-24F00	.UNION,BREATHER	1	
6	01547-0612A	.BOLT	1	
7	09168-08016	.GASKET (8.2X14X1)	3	
8	01547-0650A	.BOLT	3	
9	01550-0865A	.BOLT	2	
10	01550-0880A	.BOLT	4	
11	09103-08155	.BOLT (8X60)	2	
12	09103-08355	.BOLT (8X50)	3	
13	09103-09008	.BOLT (9X95)	7	
14	09103-09010	.BOLT (9X115)	3	
15	09168-10031	.GASKET (10.2X20X2.3)	4	
16	01547-0640A	.BOLT	4	
17	01547-0660A	.BOLT	1	
18	01550-1060A	.BOLT	1	
19	16591-06B01	.UNION,OIL STAND	1	
20	12228-24F00-0D0	.BEARING,CRANK THRUST (GREEN)	1	
21-1	12228-24F00-0A0	.BEARING,CRANK THRUST,L (RED)	1	
21-2	12228-24F00-0B0	.BEARING,CRANK THRUST,L (BLACK	1)
21-3	12228-24F00-0C0	.BEARING,CRANK THRUST,L (BLUE)	1	
21-4	12228-24F00-0D0	.BEARING,CRANK THRUST (GREEN)	1	
21-5	12228-24F00-0E0	.BEARING,CRANK THRUST,L (YELLOW)	1	
21-6	12228-24F00-0F0	.BEARING,CRANK THRUST,L (WHITE	1)

FIG.109A



GSX1300RRQM4_E01_109A
CRANKCASE (2)

FIG.109A (1-B-7) CRANKCASE (2)

REF NO.	PART NO.	DESCRIPTION	Q'TY	REMARKS
1	11331-15H00	COVER,BREATHER	1	
2	13150-01H01	VALVE ASSY,BREATHER REED	1	
3	11372-21H00	COVER,BREATHER REED VALVE	1	
4	01547-0620A	BOLT	2	
5	01547-0630A	BOLT	4	
6	11383-10L00	COVER,GEAR SHIFT	1	
7	11485-24F00	GASKET,GEAR SHIFT COVER	1	
8	04211-09149	PIN (8.5X18X2.3)	2	
9	01547-0625A	BOLT	3	
10	01547-0635A	BOLT	2	
11	11390-34E00	JET,PISTON COOLING	2	
12	11390-34E10	JET,PISTON COOLING	2	
13	09280-04004	O-RING (D:1.2,ID:4)	4	
14	09106-06075	BOLT (6X12)	4	
15	07130-0816B	BOLT	1	
16	09168-08016	GASKET (8.2X14X1)	1	
17	09248-10010	PLUG (10X10)	1	
18	09168-10002	GASKET (10X14X3.6)	1	
19	07120-0612A	BOLT	2	
20	09168-06023	GASKET (5.8X13X1.2)	2	
21	11532-46E00	JET,OIL PAN GALLERY	1	
22	09248-16012	PLUG (16X8)	1	
23	09168-16002	GASKET (16X22X2)	1	
24	09103-06188	BOLT (6X10)	4	
25	09493-20012	JET,AIR (#100)	1	
26	09248-14011	PLUG (14X12)	1	
27	09168-14002	GASKET (13.8X18.8X4.8)	1	
28	07120-0612A	BOLT	1	
29	09168-06023	GASKET (5.8X13X1.2)	1	
30	09103-12120	BOLT (12X320)	1	
31	09103-12119	BOLT (12X243)	1	
32	09159-12056	NUT	2	
33	11611-24F00	SPACER,ENG MTG (L47)	2	
34	09493-40004	JET,T/M OIL	1	
35	09103-06532	BOLT (L:45)	1	

GSX1300RRQM4_E01

FIG.109A

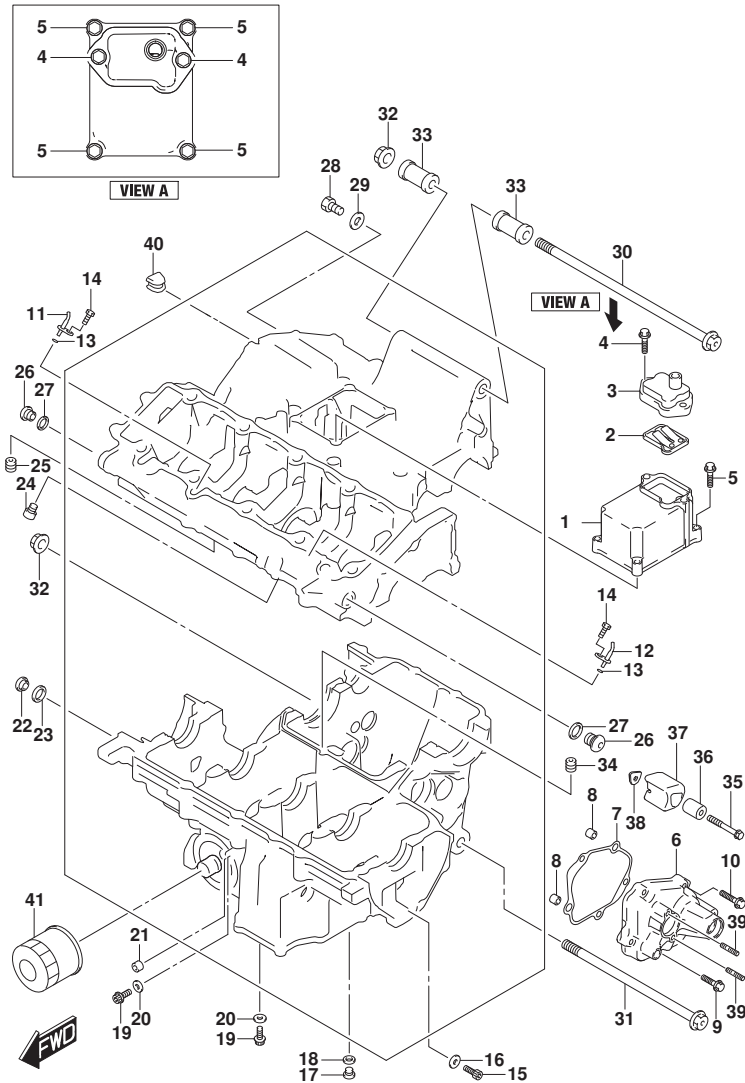


FIG.109A (1-B-8) CRANKCASE (2)

REF NO.	PART NO.	DESCRIPTION	Q'TY	REMARKS
36	09180-06381	SPACER	1	
37	11364-10L00	PROTECTOR,GEAR SHIFT COVER	1	
38	11365-10L00	PLATE,GEAR SHIFT COV PROTECTOR	1	
39	09108-05007	BOLT,STUD	2	
40	11312-10L00	GROMMET,CRANKCASE UPPER	1	
41	16510-07J00	FILTER ASSY,ENGINE OIL (P1.0)	1	

FIG.113A

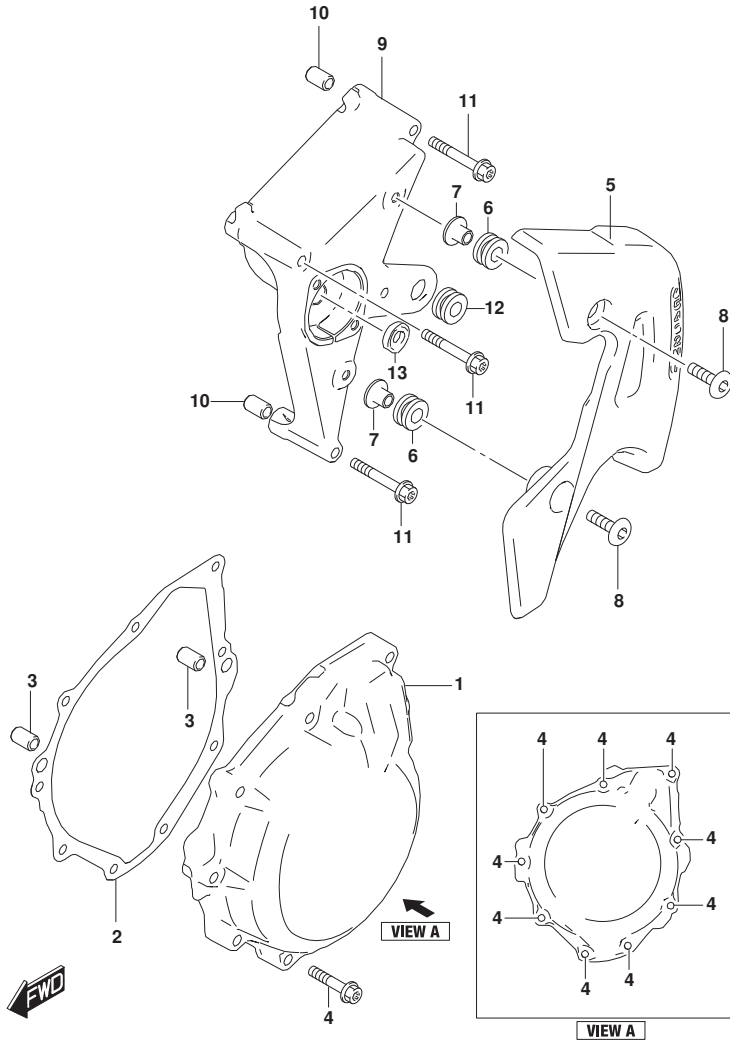


FIG.113A (1-B-9) MAGNETO COVER

REF NO.	PART NO.	DESCRIPTION	Q'TY	REMARKS
1	11351-10L00	COVER,MAGNETO	1	
2	11483-24F00	GASKET,MAGNETO COVER	1	
3	04211-09149	PIN (8.5X18X2.3)	2	
4	09103-06529	BOLT (6X30)	9	
5	11361-10L00	COVER,ENG SPROCKET	1	
6	09320-09016	CUSHION (9X18X9.5)	2	
7	09169-06062	WASHER (6.3X17X1.6)	2	
8	09139-06063	SCREW (6X20)	2	
9	11371-10L00	HOLDER,CL RELEASE	1	
10	04211-09149	PIN (8.5X18X2.3)	2	
11	09103-06536	BOLT (L:65)	3	
12	09320-08514	CUSHION (8X26X7)	1	
13	09283-06003	SEAL,OIL (6X12X4)	1	

FIG.114A

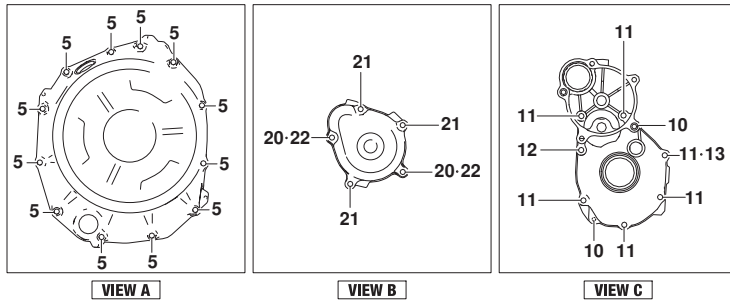


FIG.114A (1-B-10) CLUTCH COVER

REF NO.	PART NO.	DESCRIPTION	Q'TY	REMARKS
1	11340-10L00	COVER,CLUTCH	1	
2	11971-33210	.LENS,OIL LEVEL CHECK	1	
3	11482-24F00	GASKET,CL COVER	1	
4	04211-09189	PIN	2	
5	09103-06529	BOLT (6X30)	12	
6	11971-25D00	PLUG,ENGINE OIL FILLER	1	
7	09280-17003	O-RING (D:3.1,ID:16.8)	1	
8	11380-24F20	COVER,STARTER CLUTCH	1	
9	11491-24F01	GASKET,STARTER CLUTCH COVER	1	
10	04211-09149	PIN (8.5X18X2.3)	2	
11	09103-06528	BOLT (6X25)	6	
12	09103-06530	BOLT (L:35)	1	
13	09168-06023	GASKET (5.8X13X1.2)	1	
14	09259-36021	PLUG (36X10)	1	
15	09280-33004	O-RING (D:3.1,ID:32.7)	1	
16	09248-16012	PLUG (16X8)	1	
17	09168-16002	GASKET (16X22X2)	1	
18	11382-24F20	CAP,STARTER IDLE GEAR	1	
19	11492-24F00	GASKET,START IDLE GEAR CAP	1	
20	04211-09149	PIN (8.5X18X2.3)	2	
21	09103-06528	BOLT (6X25)	3	
22	09103-06530	BOLT (L:35)	2	

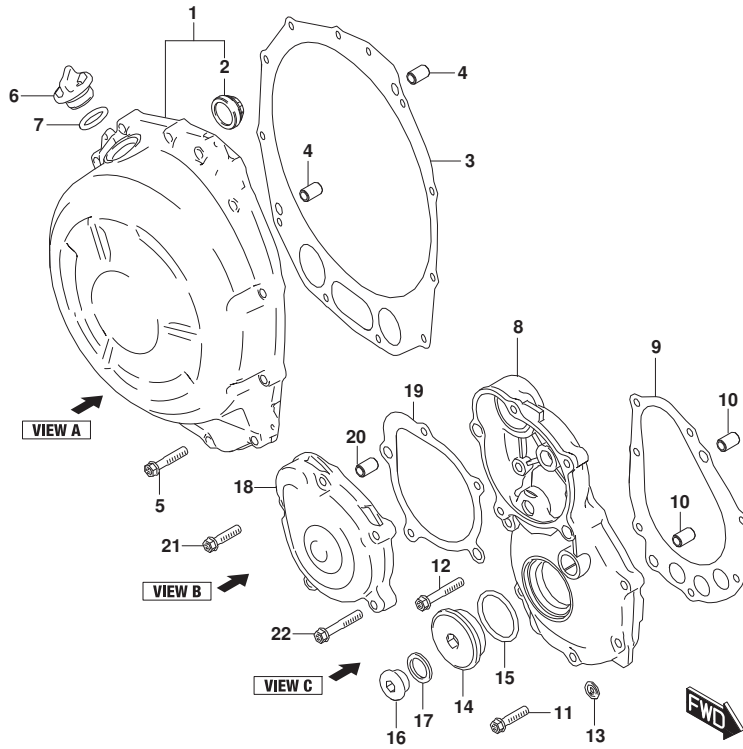


FIG.116A

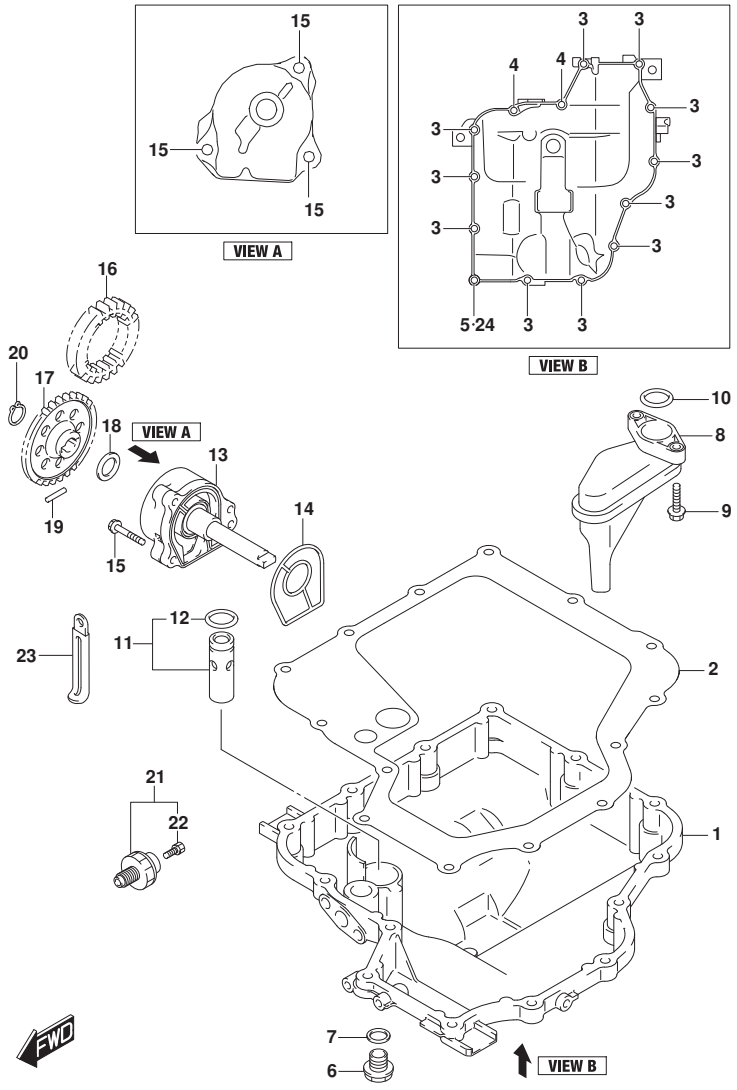


FIG.116A (1-B-11) OIL PAN/OIL PUMP

REF NO.	PART NO.	DESCRIPTION	Q'TY	REMARKS
1	11511-24F10	PAN,OIL	1	
2	11489-24F10	GASKET,OIL PAN	1	
3	01547-0630A	BOLT	12	
4	01547-0640A	BOLT	2	
5	09168-06023	GASKET (5.8X13X1.2)	1	
6	09247-14036	PLUG (14X20)	1	OIL DRAIN
7	09168-14002	GASKET (13.8X18.8X4.8)	1	OIL DRAIN
8	16520-24F01	STRAINER,ENG OIL	1	
9	01550-0620A	BOLT (6X20)	2	
10	09280-19008	O-RING (D:2.62,ID:20.3)	1	
11	16440-24F00	VALVE ASSY,OIL RELIEF (7K)	1	
12	09280-13004	O-RING (D:1.9,ID:13)	1	
13	16400-24F01	PUMP ASSY,ENGINE OIL	1	
14	16491-24F00	O RING,OIL PUMP	1	
15	01547-0630A	BOLT	3	
16	16321-33E10	GEAR,OIL PUMP DRIVE (NT:34)	1	
17	16331-33E00	GEAR,OIL PUMP DRIVEN (NT:37)	1	
18	09181-12158	SHIM (12X20X0.5)	1	
19	09261-05006	PIN (5X18)	1	
20	08331-3112A	CIRCLIP	1	
21	37820-33D11	SWITCH ASSY,OIL PRESSURE	1	
22	37822-33D00	BOLT,OIL PRESSURE SWITCH	1	
23	09404-06429	CLAMP (L:45)	2	
24	09103-06297	BOLT (6X30)	1	

FIG.120A

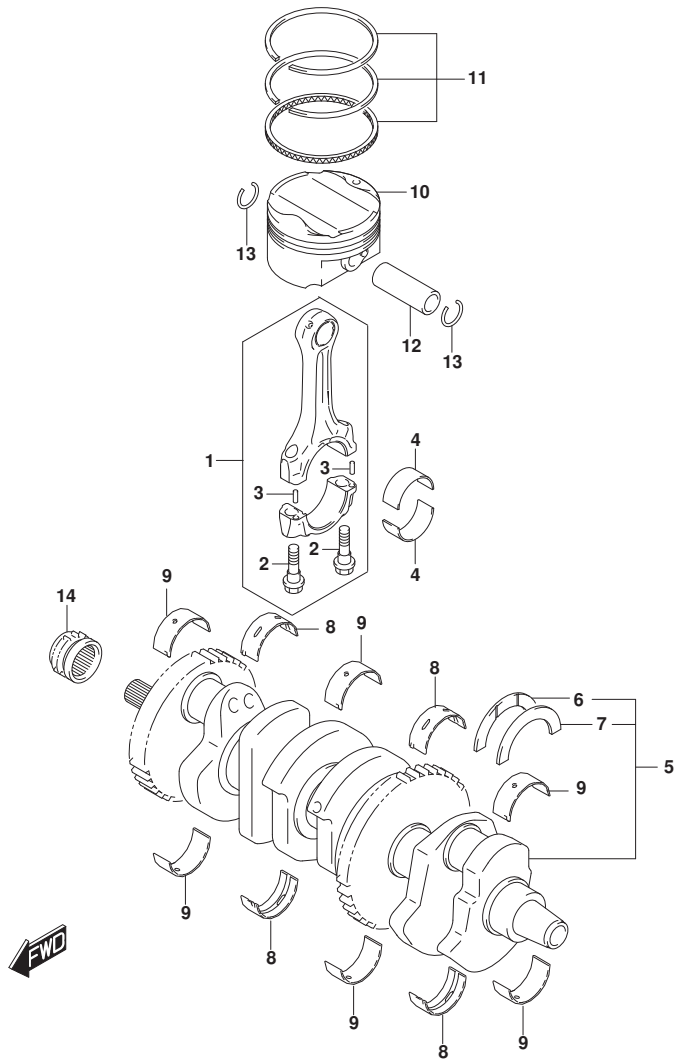


FIG.120A (1-B-12) CRANKSHAFT

REF NO.	PART NO.	DESCRIPTION	Q'TY	REMARKS
1	12160-10L00	CONNROD ASSY	4	
2	12163-10L00	.BOLT,CONNROD	8	
3	04221-04089	.PIN (4X13.8)	8	
4-1	12164-10L00-0A0	BEARING,CRANK PIN (GREEN)	8	
4-2	12164-10L00-0B0	BEARING,CRANK PIN (BLACK)	8	
4-3	12164-10L00-0C0	BEARING,CRANK PIN (BROWN)	8	
4-4	12164-10L00-0D0	BEARING,CRANK PIN (YELLOW)	8	
5	12000-10840	CRANKSHAFT SET	1	
6	12228-24F00-0D0	BEARING,CRANK THRUST (GREEN)	1	
7-1	12228-24F00-0A0	.BEARING,CRANK THRUST,L (RED)	1	
7-2	12228-24F00-0B0	.BEARING,CRANK THRUST,L (BLACK	1	
)		
7-3	12228-24F00-0C0	.BEARING,CRANK THRUST,L (BLUE)	1	
7-4	12228-24F00-0D0	.BEARING,CRANK THRUST (GREEN)	1	
7-5	12228-24F00-0E0	.BEARING,CRANK THRUST,L (YELLOW	1	
		W)		
7-6	12228-24F00-0F0	.BEARING,CRANK THRUST,L (WHITE	1	
)		
8-1	12229-15H10-0A0	BEARING,CRANKSHAFT (GREEN)	4	
8-2	12229-15H10-0B0	BEARING,CRANKSHAFT (BLACK)	4	
8-3	12229-15H10-0C0	BEARING,CRANKSHAFT (BROWN)	4	
8-4	12229-15H10-0D0	BEARING,CRANKSHAFT (YELLOW)	4	
8-5	12229-15H10-0E0	BEARING,CRANKSHAFT (BLUE)	4	
9-1	12229-10L00-0A0	BEARING,CRANKSHAFT (GREEN)	6	
9-2	12229-10L00-0B0	BEARING,CRANKSHAFT (BLACK)	6	
9-3	12229-10L00-0C0	BEARING,CRANKSHAFT (BROWN)	6	
9-4	12229-10L00-0D0	BEARING,CRANKSHAFT (YELLOW)	6	
9-5	12229-10L00-0E0	BEARING,CRANKSHAFT (BLUE)	6	
10	12111-10L00-0F0	PISTON	4	
11	12140-10L00	RING SET,PISTON	4	
12	12151-10L00	PIN,PISTON	4	
13	09381-18002	CIRCLIP (OD:20.5)	8	
14	12731-24F10	SPROCKET,CAM CHAIN DRIVE	1	

FIG.122A

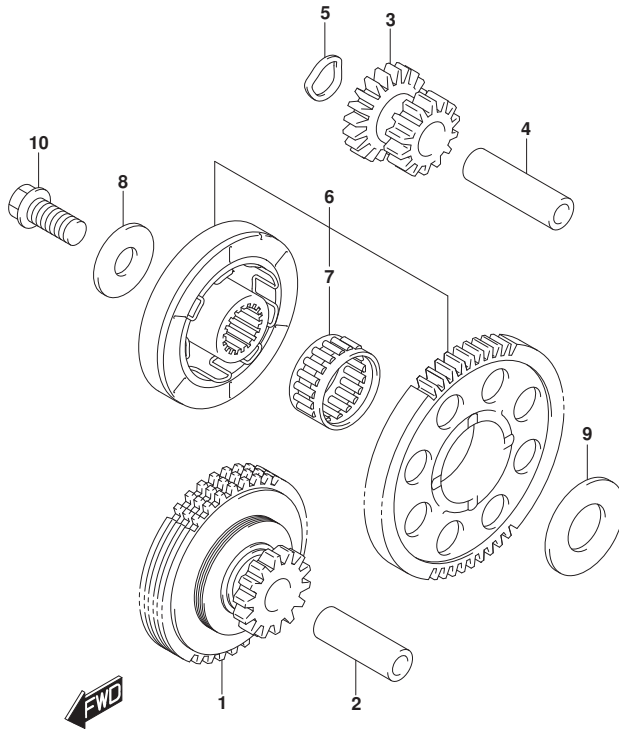


FIG.122A (1-B-13) STARTER CLUTCH

REF NO.	PART NO.	DESCRIPTION	Q'TY	REMARKS
1	12600-24F00	LIMITER ASSY,START ID GR NO.1 (NT:14)	1	
2	12615-24F00	PIN,STARTER IDLE GEAR NO.1	1	
3	12612-24F00	GEAR,STARTER IDLE NO.2 (NT:16/ 14)	1	
4	12151-05200	PIN	1	
5	09164-14008	WASHER	1	
6	12600-24870	CLUTCH SET,STARTER	1	
7	09263-28040	.BEARING	1	
8	08211-10285	WASHER	1	
9	08211-20403	WASHER	1	
10	09103-10189	BOLT (10X23)	1	

FIG.124A

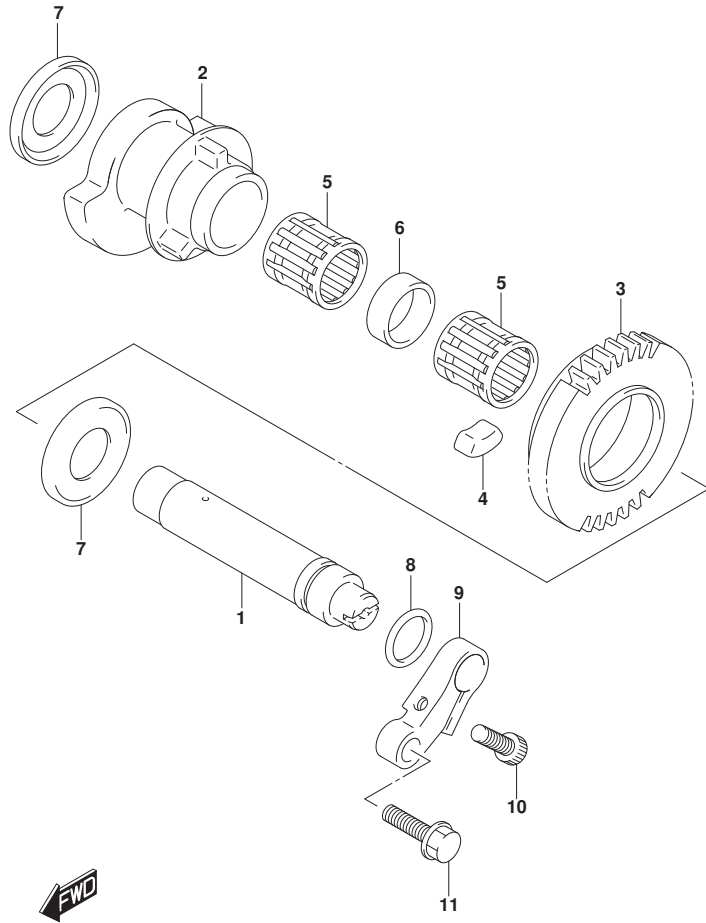


FIG.124A (1-B-14) CRANK BALANCER

REF NO.	PART NO.	DESCRIPTION	Q'TY	REMARKS
1	12651-10L00-0F0	SHAFT,CRANK BALANCER	1	
2	12654-24F00-0F0	BALANCER,CRANK	1	
3	12666-24F20	GEAR,CRANK BALANCER	1	
4	12686-24F00	DAMPER,BALANCER GEAR	6	
5	09263-19017	BEARING	2	
6	12668-10L00	SPACER,CRANK BALANCER	1	
7	09169-21001	WASHER	2	
8	09280-17007	O-RING (D:1.9,ID:16.8)	1	
9	12681-26D02	ARM,BALANCER SHAFT	1	
10	07130-0620A	BOLT	1	
11	09103-06286	BOLT (6X20)	1	

FIG.126A

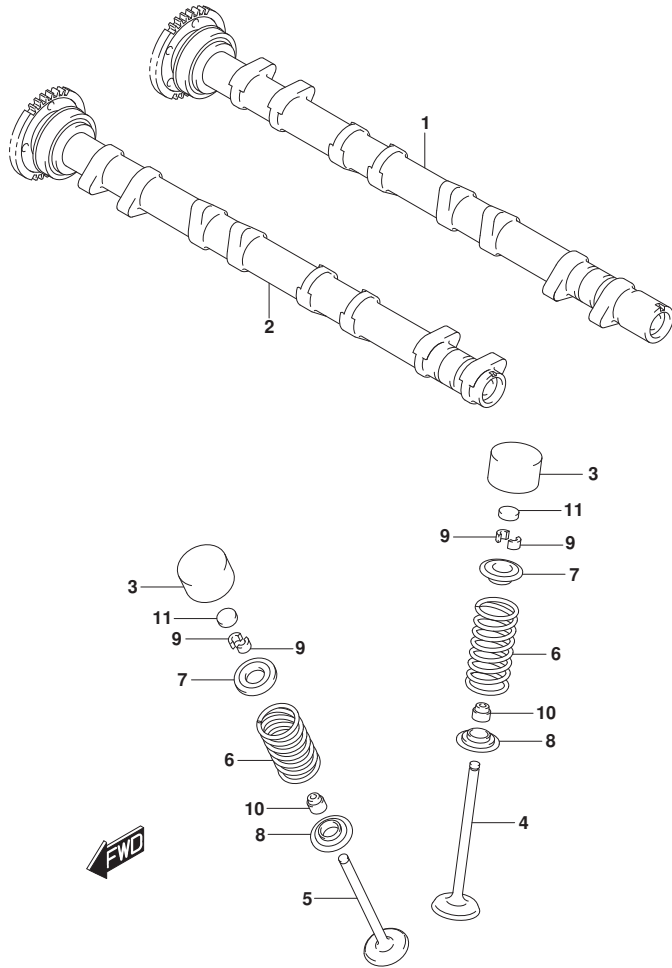


FIG.126A (1-B-15) CAMSHAFT/VALVE

REF NO.	PART NO.	DESCRIPTION	Q'TY	REMARKS
1	12710-10L00	CAMSHAFT,INTAKE	1	
2	12720-10L00	CAMSHAFT,EXHAUST	1	
3	12891-02F10	TAPPET	16	
4	12911-15H01	VALVE,INTAKE	8	
5	12912-15H00	VALVE,EXHAUST	8	
6	12921-10L00	SPRING,VALVE	16	
7	12931-02F10	RETAINER,VALVE SPRING	16	
8	12933-38400	SEAT,VALVE SPRING	16	
9	12932-24F00	COTTER VALVE	32	
10	09289-05011	SEAL,OIL (5X10X9.7)	16	
11-1	12892-41C00-230	SHIM,TAPPET (T:2.30)	16	
11-2	12892-41C00-235	SHIM,TAPPET (T:2.35)	16	
11-3	12892-41C00-240	SHIM,TAPPET (T:2.40)	16	
11-4	12892-41C00-245	SHIM,TAPPET (T:2.45)	16	
11-5	12892-41C00-250	SHIM,TAPPET (T:2.50)	16	
11-6	12892-41C00-255	SHIM,TAPPET (T:2.55)	16	
11-7	12892-41C00-260	SHIM,TAPPET (T:2.60)	16	
11-8	12892-41C00-265	SHIM,TAPPET (T:2.65)	16	
11-9	12892-41C00-270	SHIM,TAPPET (T:2.70)	16	
11-10	12892-41C00-275	SHIM,TAPPET (T:2.75)	16	
11-11	12892-41C00-280	SHIM,TAPPET (T:2.80)	16	
11-12	12892-41C00-285	SHIM,TAPPET (T:2.85)	16	
11-13	12892-41C00-290	SHIM,TAPPET (T:2.90)	16	
11-14	12892-41C00-295	SHIM,TAPPET (T:2.95)	16	
11-15	12892-41C00-300	SHIM,TAPPET (T:3.00)	16	
11-16	12892-41C00-305	SHIM,TAPPET (T:3.05)	16	
11-17	12892-41C00-310	SHIM,TAPPET (T:3.10)	16	
11-18	12892-41C00-315	SHIM,TAPPET (T:3.15)	16	
11-19	12892-41C00-320	SHIM,TAPPET (T:3.20)	16	
11-20	12892-41C00-325	SHIM,TAPPET (T:3.25)	16	
11-21	12892-41C00-330	SHIM,TAPPET (T:3.30)	16	
11-22	12892-41C00-335	SHIM,TAPPET (T:3.35)	16	
11-23	12892-41C00-340	SHIM,TAPPET (T:3.40)	16	
11-24	12892-41C00-345	SHIM,TAPPET (T:3.45)	16	
11-25	12892-41C00-350	SHIM,TAPPET (T:3.50)	16	

FIG.126A

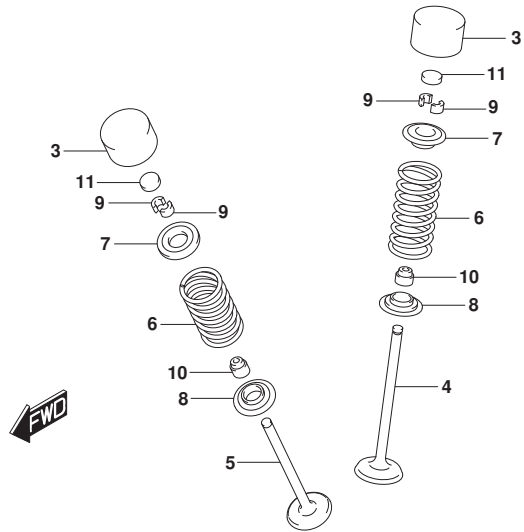
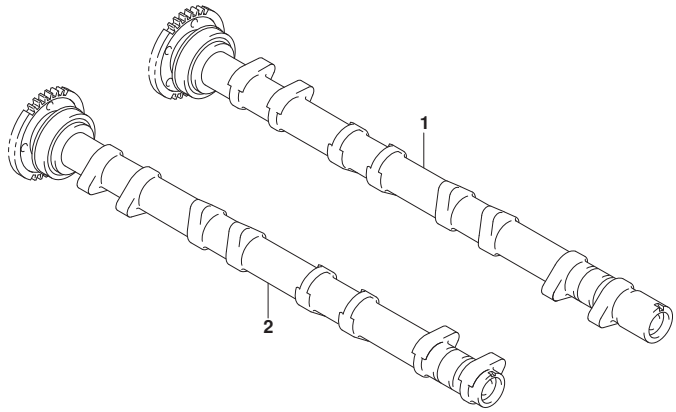


FIG.126A (1-B-16) CAMSHAFT/VALVE

REF NO.	PART NO.	DESCRIPTION	Q'TY	REMARKS
12	12800-41810	SHIM SET,TAPPET (5PCS.EACH)	1	OPT,NOT ILLUSTRATED
13	99000-69471	.CASE,TAPPET SHIM	1	OPT,NOT ILLUSTRATED

FIG.127A

FIG.127A (1-C-2) CAM CHAIN

REF NO.	PART NO.	DESCRIPTION	Q'TY	REMARKS
1	12760-24F01	CHAIN,CAMSHAFT DRIVE	1	
2	12771-15H01	GUIDE,CAM CHAIN NO.1	1	
3	12782-10L00	GUIDE,CAM CHAIN NO.2	1	
4	07130-0612A	BOLT	2	
5	12811-10L00	TENSIONER,CAM CHAIN	1	
6	12812-31G00	BOLT,CAM CHAIN TENSIONER	1	
7	12773-24F00	RETAINER,CAM CHAIN GUIDE NO.1	1	
8	02122-0612A	SCREW	1	
9	12830-15H10	ADJUSTER ASSY,TENSIONER	1	
10	12837-02H00	GASKET,TENSIONER ADJUSTER	1	
11	07130-0625A	BOLT (6X25)	2	
12	12835-15H00	HOSE,CAM CHAIN TNSN ADJ OIL	1	
13	12838-15H00	BOLT,ADJ OIL HOSE UNION	2	
14	09168-08034	GASKET (7.8X13.5X1.2)	4	
15	12839-15H01	PLUG,ADJ OIL HOSE UNION	1	
16	09168-14002	GASKET (13.8X18.8X4.8)	1	
17	09407-18402	CLAMP (L:165)	1	

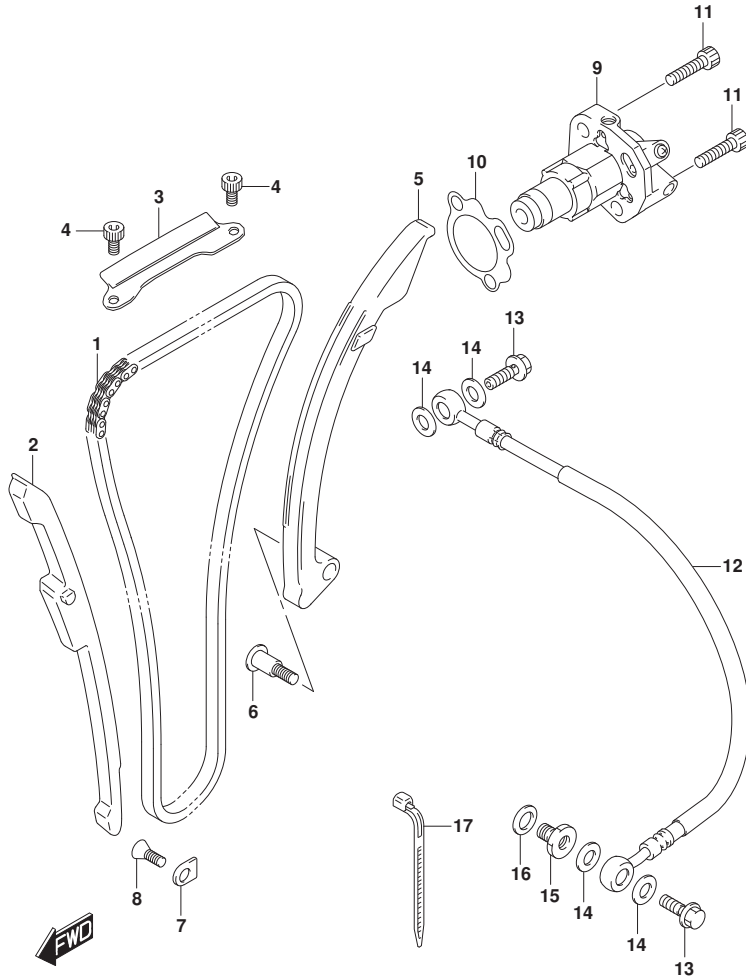
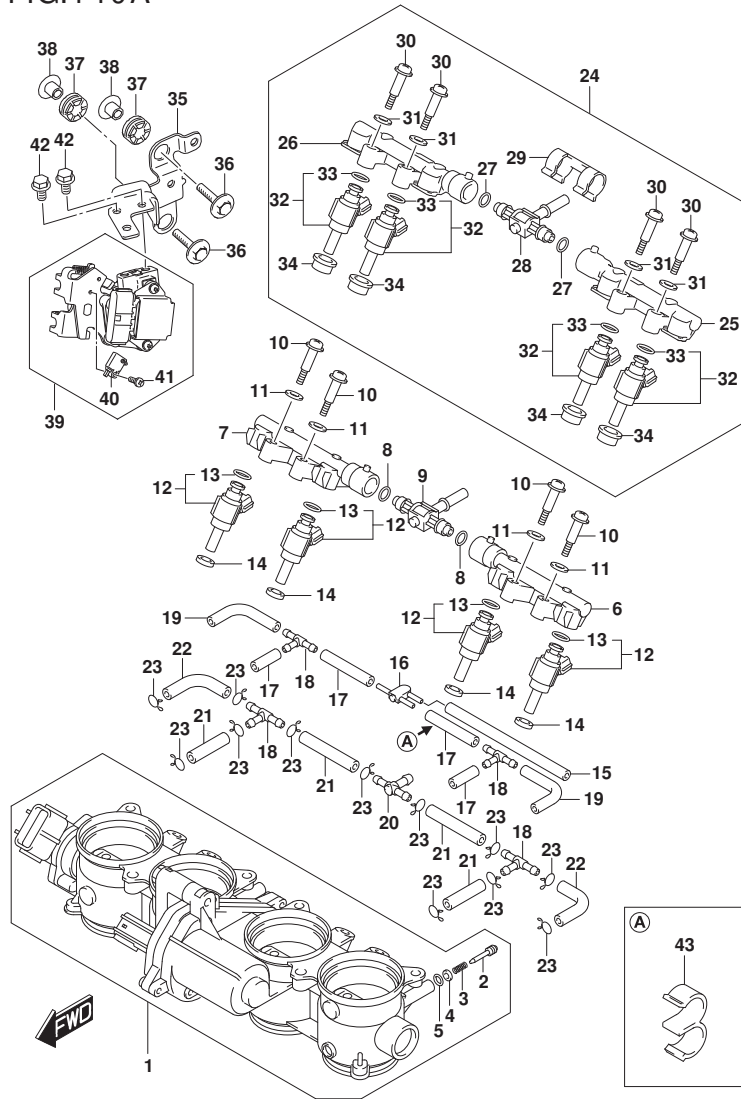


FIG.140A



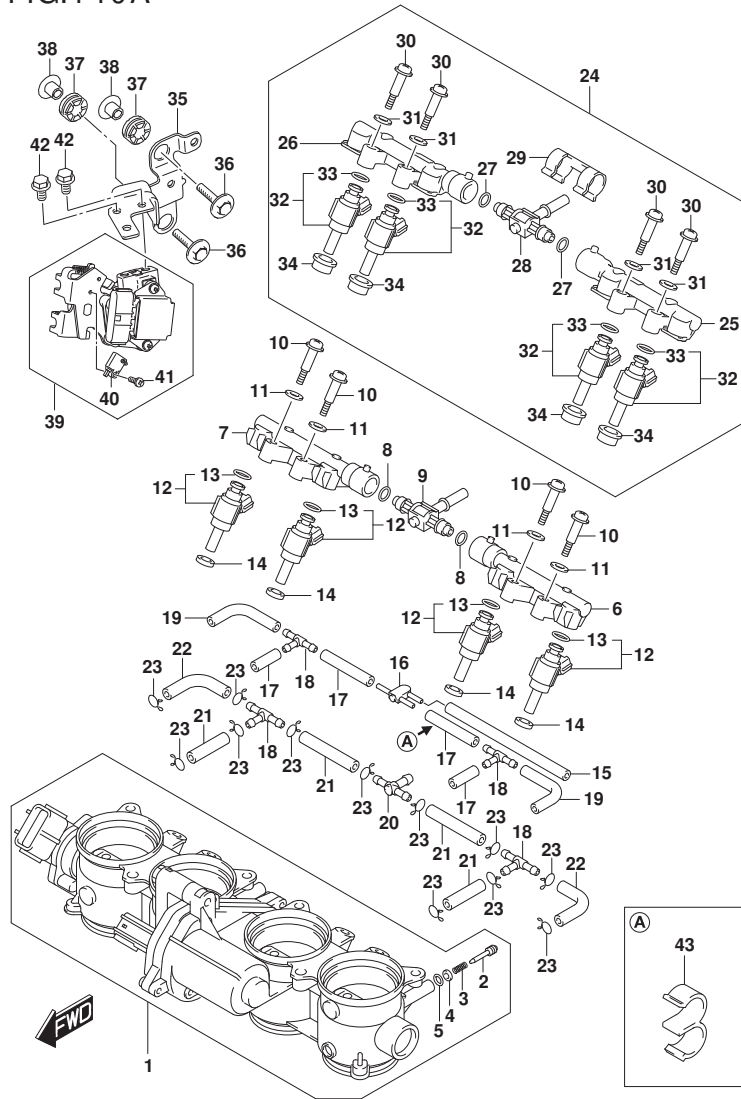
GSX1300RRQM4_E01_140A
THROTTLE BODY

FIG.140A (1-C-3) THROTTLE BODY

REF NO.	PART NO.	DESCRIPTION	Q'TY	REMARKS
1	13405-10L00	BODY ASSY, THROTTLE	1	
2	13269-33E00	.SCREW	4	
3	13268-48700	.SPRING,THROTTLE SCREW	4	
4	13606-47A00	.WASHER	4	
5	13295-29901	.O-RING	4	
6	13471-10L00	DELIVERY PIPE	1	
7	13472-10L00	DELIVERY PIPE	1	
8	13374-32G00	O-RING	2	
9	13473-10L00	NIPPLE ASSY	1	
10	13601-29G00	SCREW	4	
11	13602-29G01	PACKING	4	
12	15710-14J00	INJECTOR ASSY	4	
13	15717-58B00	.O-RING	16	
14	15722-14J00	SEAL	4	
15	13683-01H01	HOSE	1	
16	13471-18H00	JOINT	1	
17	13683-10F61	HOSE (L:425)	2	
18	13685-02FA0	NIPPLE	4	
19	13681-39F00-070	HOSE (3.2X7.4X70)	2	
20	13685-04F10	NIPPLE	1	
21	13683-04K50	HOSE	4	
22	13683-10L00	HOSE (3.5X7.5X80)	2	
23	13671-12C00	CLIP	12	
24	15900-10L00	BODY ASSY,2ND INJECTOR	1	
25	13471-10L00	.DELIVERY PIPE	1	
26	13472-10L00	.DELIVERY PIPE	1	
27	13374-32G00	.O-RING	2	
28	13473-10L00	.NIPPLE ASSY	1	
29	13474-17K00	.CLIP	1	
30	13601-29G00	SCREW	4	
31	13602-29G01	.PACKING	4	
32	15710-17K10	.INJECTOR ASSY	4	
33	15717-58B00	.O-RING	4	
34	15722-14J00	.SEAL	4	
35	13571-10L00	BRACKET,ACCEL SENSOR	1	

GSX1300RRQM4_E01

FIG.140A



GSX1300RRQM4_E01_140A
THROTTLE BODY

FIG.140A (1-C-4) THROTTLE BODY

REF NO.	PART NO.	DESCRIPTION	Q'TY	REMARKS
36	09116-06185	BOLT (6X30)	2	
37	09320-10055	CUSHION	2	
38	09180-06319	SPACER (6.5X10X11.6)	2	
39	13500-10L00	BODY ASSY,ACCELERATOR	1	
40	13550-10L00	.SWITCH,CRS CONT CANCEL	1	
41	13601-10L00	.SCREW	1	
42	01550-0612A	BOLT	2	
43	09408-00200	CLIP	1	

GSX1300RRQM4_E01

FIG.155A

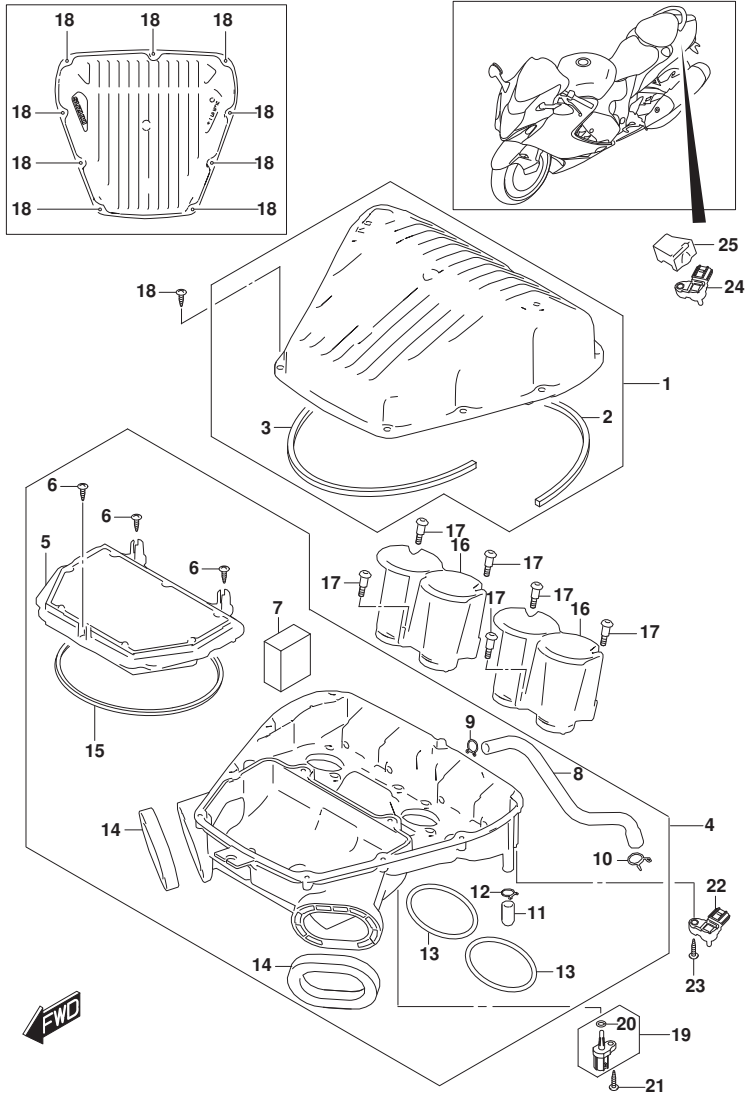


FIG.155A (1-C-5) AIR CLEANER

REF NO.	PART NO.	DESCRIPTION	Q'TY	REMARKS
1	13740-10L00	CAP,AIR CLEANER	1	
2	13758-10L00	.GASKET,CAP A	1	
3	13759-10L00	.GASKET,CAP B	1	
4	13720-10L00	CASE,AIR CLNR	1	
5	13780-10L00	.FILTER ASSY,AIR CLNR	1	
6	03541-0520A	.SCREW	3	
7	13788-10L00	.FILTER,BRETHER	1	
8	13853-10L00	.TUBE,BRETHER	1	
9	09401-14101	.CLIP (ID:14.5)	1	
10	09401-16401	.CLIP (ID:16.5)	1	
11	09401-14301	.CLIP	1	
12	13878-10G01	.PLUG	1	
13	13757-10L00	.GASKET,THB CASE	1	
14	13736-10L00	.CUSHION,DUCT	2	
15	13756-10L00	.GASKET,FILTER	1	
16	13881-10L00	FUNEL,OUTLET	2	
17	13831-47H00	BOLT,AIR CLEANER CASE	6	
18	03541-0520A	SCREW	9	
19	13650-41F10	SENSOR,AIR TEMP	1	
20	13655-41F10	.O-RING	1	
21	03511-0516A	SCREW	1	
22	18590-18K00	SENSOR	1	
23	03541-0525B	SCREW	1	
24	18590-18K00	SENSOR	1	
25	18595-04K01	HOLDER,SENSOR	1	

FIG.163A

FIG.163A (1-C-6) MUFFLER

REF NO.	PART NO.	DESCRIPTION	Q'TY	REMARKS
1	14100-10L00	EXHAUST	1	
2	14181-04K00	GASKET,EXHAUST PIPE	4	
3	07130-0825A	BOLT	8	
4	01550-0816A	BOLT (8X16)	2	
5	14770-10L00	BRACKET,EXH SPRT	1	
6	09118-08152-A05	BOLT (8X45)	2	
7	09180-08152	SPACER (8.6X12X24.2)	2	
8	09320-12097	CUSHION	4	
9	14771-24F01	CONNECTOR,MUFFLER	1	
10	14459-47H00	CLAMP,MUFFLER CONNECTOR	1	
11	14771-42F40	CONNECTOR,JT	1	
12	14459-42F10	CLAMP,MUFFLER CONNECTOR	1	
13	09106-08162	BOLT (8X40)	2	
14	14305-10L50	MUFFLER,R	1	
15	14791-10L00	.COVER,MUF RR	1	
16	09139-06122	SCREW (6X10)	3	
17	14306-10L50	MUFFLER,L	1	
18	14791-10L00	.COVER,MUF RR	1	
19	09139-06122	SCREW (6X10)	3	
20	09106-08195	BOLT (8X45)	2	
21	09160-08162	WASHER (8.5X33X1.6)	2	
22	09320-12049	CUSHION	2	
23	09180-08152	SPACER (8.6X12X24.2)	2	
24	08361-2508B	NUT	2	
25	18213-04K00	SENSOR,OXYGEN	1	
26	18213-18K00	SENSOR,OXYGEN	1	

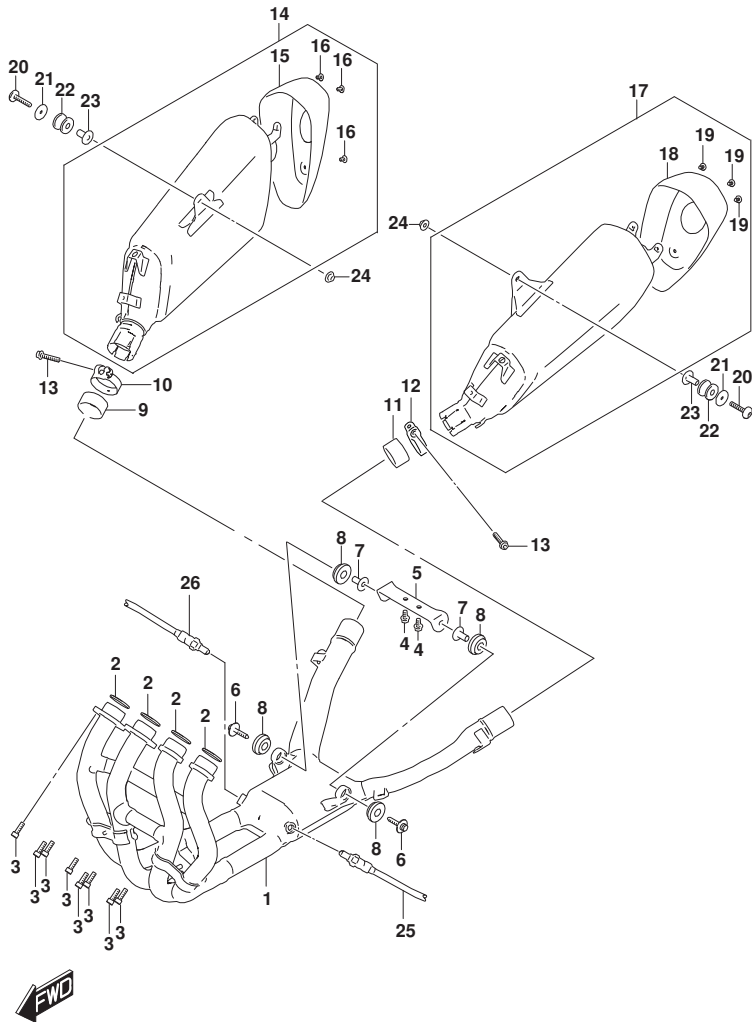


FIG.164A

FIG.164A (1-C-7) MUFFLER COVER

REF NO.	PART NO.	DESCRIPTION	Q'TY	REMARKS
1	14180-10L00	COVER,EXH RH	1	
2	14785-17K22	.WASHER	3	
3	09320-08066	.CUSHION (8.4X18X6)	3	
4	14190-10L00	COVER,EXH LH	1	
5	14785-17K22	.WASHER	3	
6	09320-08066	.CUSHION (8.4X18X6)	3	
7	09139-06238	SCREW	6	
8	09320-08066	CUSHION (8.4X18X6)	4	

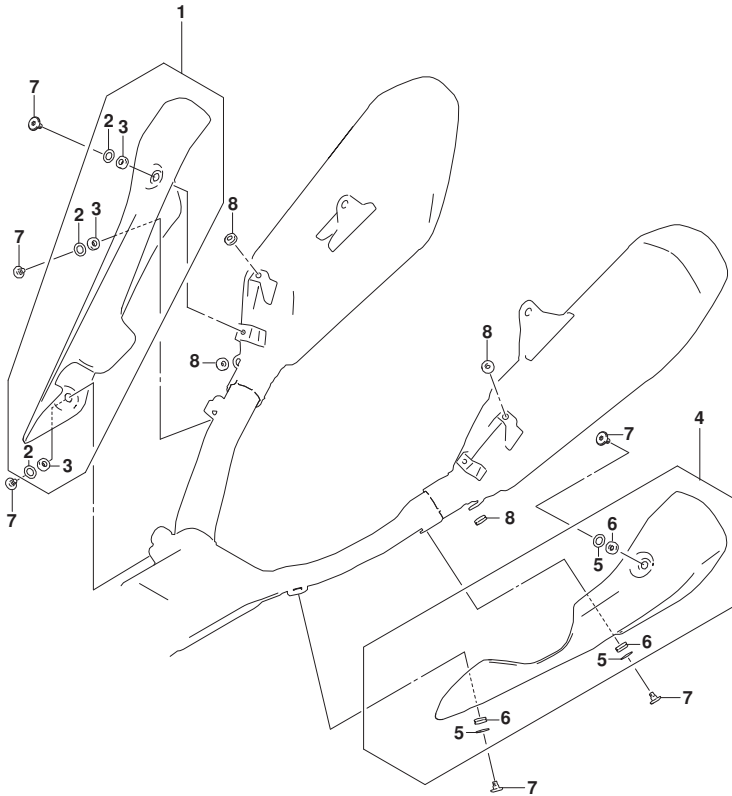


FIG.172A

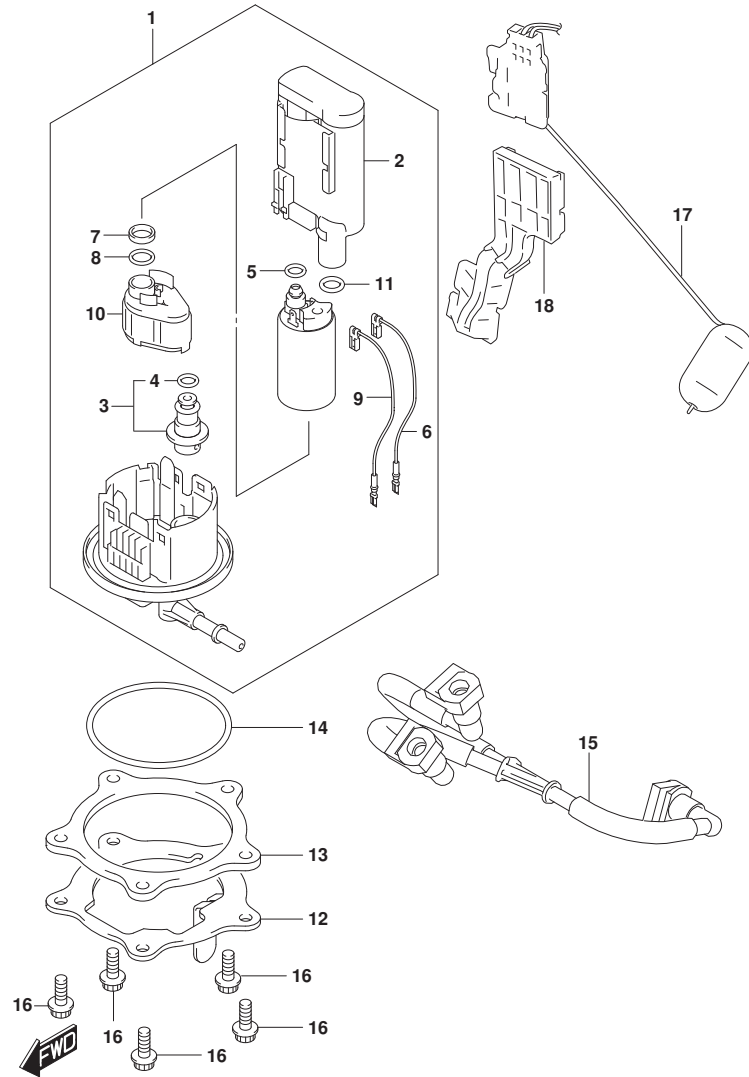


FIG.172A (1-C-8) FUEL PUMP

REF NO.	PART NO.	DESCRIPTION	Q'TY	REMARKS
1	15100-17K00	PUMP ASSY,FUEL	1	
2	15310-17K00	.FILTER	1	
3	15610-17K00	.REGULATOR	1	
4	15113-48H00	.O-RING	1	
5	15113-05H00	.O-RING	1	
6	15114-17K00	.WIRE,EARTH	1	
7	15116-17K00	.COLLAR	1	
8	15113-17K00	.O-RING	1	
9	15115-17K00	.WIRE,LEAD	1	
10	15420-17K00	.STRAINER	1	
11	15113-35F00	.O-RING	1	
12	15120-10L00	PLATE,FUEL PUMP OUTER	1	
13	15122-17K00	PLATE,FUEL PUMP INNER	1	
14	15201-07L00	O-RING	1	
15	15810-10L00	HOSE,FUEL	1	
16	07120-0616A	BOLT	5	
17	34810-10L00	GAUGE ASSY,FUEL LEVEL SENDER	1	
18	34815-10L00	ATTACHMENT,FUEL LEVEL SENDER	1	

FIG.178A

FIG.178A (1-C-9) OIL COOLER

REF NO.	PART NO.	DESCRIPTION	Q'TY	REMARKS
1	16600-10L00	COOLER,OIL	1	
2	09118-06097	BOLT (6X25)	1	
3	09180-06290	SPACER (6.5X10X12)	1	
4	09320-10051	CUSHION	1	
5	16640-10L00	BRACKET,OIL COOLER	1	
6	01560-0616A	BOLT	2	
7	16460-10L00	HOSE,OIL COOLER OUTLET	1	
8	16470-10L00	HOSE,OIL COOLER INLET	1	
9	09280-15015	O-RING (D:2.4, ID:16)	4	
10	09106-06073	BOLT (6X16)	8	
11	16650-15H01	GUARD,OIL COOLER	1	
12	17765-09F01	.PROTECTOR,CTR	2	
13	09352-30504-600	.HOSE (3X5X600)	4	
14	17802-14F00	NUT,RADIATOR FAN	2	

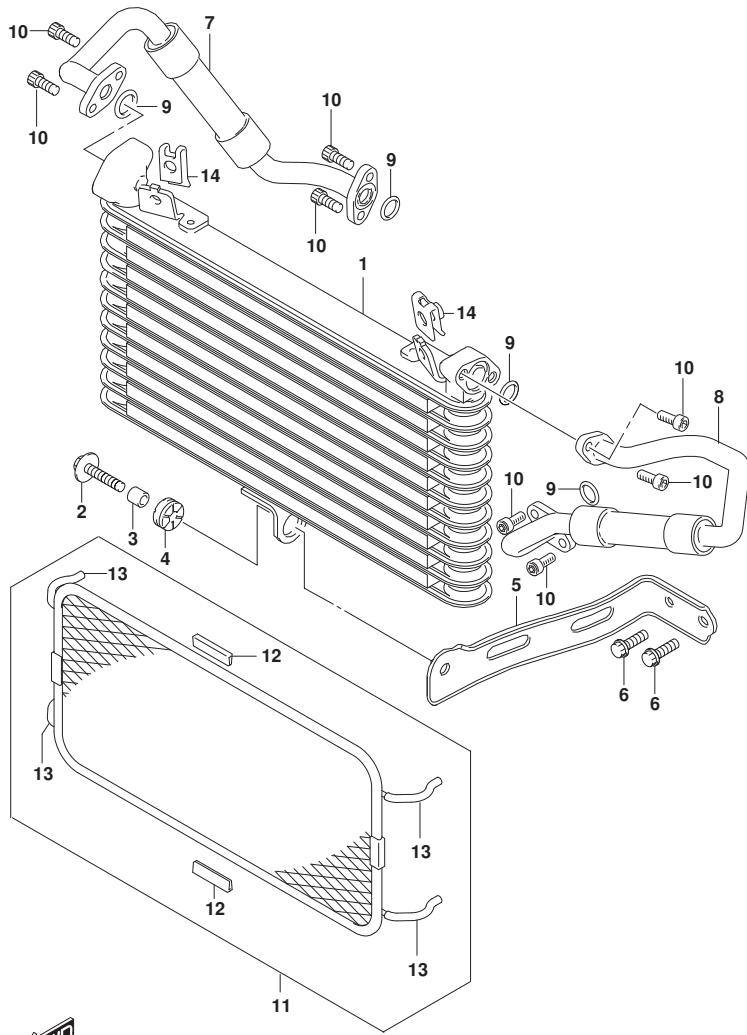


FIG.180A

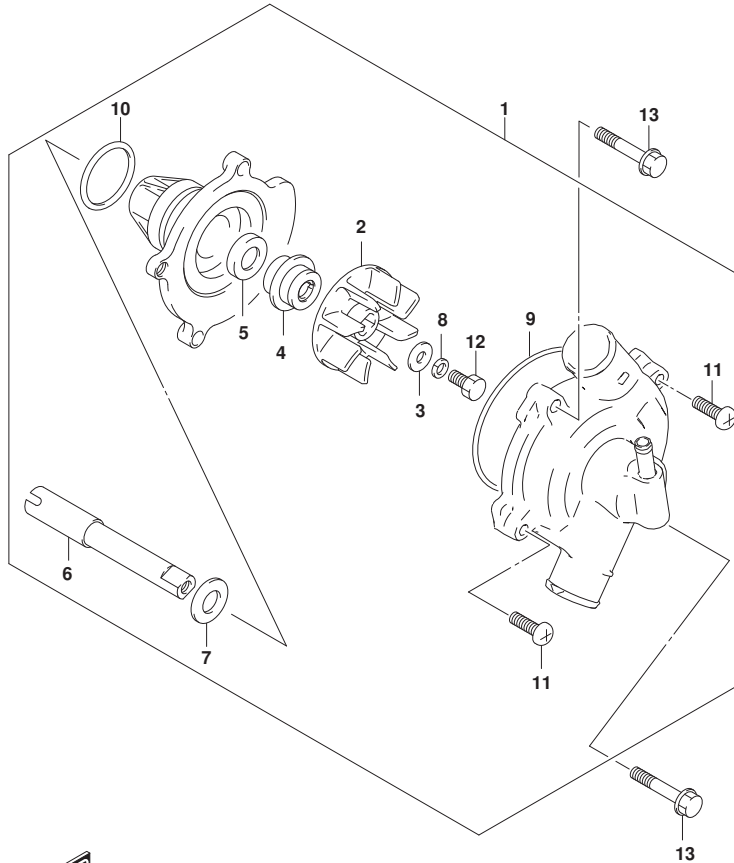


FIG.180A (1-C-10) WATER PUMP

REF NO.	PART NO.	DESCRIPTION	QTY	REMARKS
1	17400-10L00	PUMP ASSY,WATER	1	
2	17491-17E01	.IMPELLER	1	
3	09168-06025	.GASKET (6X15X2.2)	1	
4	17470-02F11	.SEAL,WATER PUMP SHAFT MECH	1	
5	17461-48G00	.OIL SEAL (10X21X5)	1	
6	17511-24F10	.SHAFT	1	
7	17432-07G00	.WASHER	1	
8	09164-06006	.WASHER	1	
9	17418-33401	.O-RING	1	
10	17435-33400	.O-RING	1	
11	02112-0620A	.SCREW	2	
12	09100-06099	.BOLT (6X13)	1	
13	01547-0635A	BOLT	2	

FIG.185A

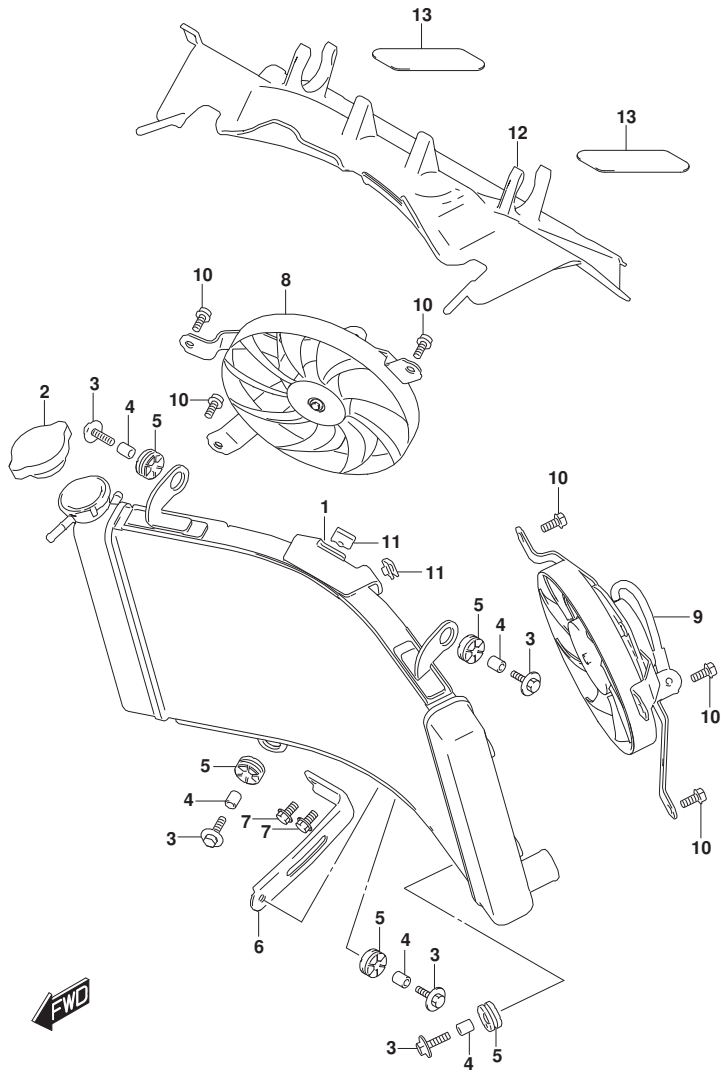


FIG.185A (1-C-11) RADIATOR

REF NO.	PART NO.	DESCRIPTION	Q'TY	REMARKS
1	17710-10L00	RADIATOR,WATER	1	
2	17730-14G00	CAP,RADIATOR (1.1)	1	
3	09118-06097	BOLT (6X25)	5	
4	09180-06290	SPACER (6.5X10X12)	5	
5	09320-10051	CUSHION	5	
6	17750-10L00	BRACKET,RADIATOR	1	
7	01550-0612A	BOLT	2	
8	17810-10L00	FAN ASSY,RADIATOR,L	1	
9	17820-10L00	FAN ASSY,RADIATOR,R	1	
10	17711-10L00	BOLT,FAN ASSY	6	
11	17802-14F00	NUT,RADIATOR FAN	2	
12	17771-10L00	SHIELD,RADIATOR HEAT	1	
13	63131-10F00	TAPE,RR FENDER (30X75X0.2)	2	

FIG.187A

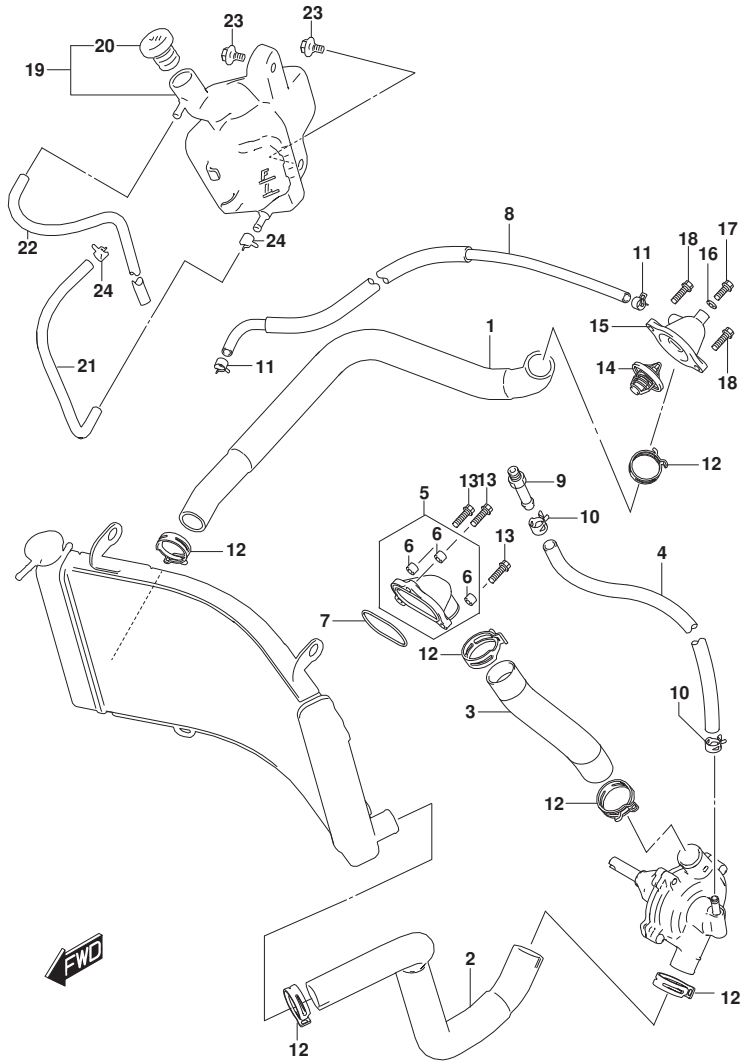


FIG.187A (1-C-12) RADIATOR HOSE

REF NO.	PART NO.	DESCRIPTION	Q'TY	REMARKS
1	17851-10L00	HOSE,RADIATOR INLET	1	
2	17852-10L00	HOSE,RADIATOR OUTLET	1	
3	17853-10L00	HOSE,CYLINDER INLET	1	
4	17854-10L00	HOSE,WATER BYPASS	1	
5	17861-33E20	CONNECTOR,CYLINDER WATER INLET	1	
6	09180-06261	.SPACER (6.5X9X8)	3	
7	17863-33E00	O-RING	1	
8	17855-10L00	HOSE,WATER AIR BLEED	1	
9	09362-09011	UNION	1	
10	09401-12414	CLIP	2	
11	09401-10409	CLIP (ID:10.5,H:8)	2	
12	09401-29001	CLAMP	6	
13	01547-0620A	BOLT	2	
14	17670-15H00	THERMOSTAT,WATER	1	
15	17661-35F00	COVER,THERMOSTAT	1	
16	09168-06026	GASKET (6.4X11.5X0.84)	1	
17	17568-50F00	UNION BOLT,AIR VENT	1	
18	01547-0620A	BOLT	3	
19	17910-10L00	TANK ASSY,RESERVOIR	1	
20	17931-31J00	.CAP,WATER RESERVOIR TANK	1	
21	09352-50901-600	HOSE (5X9X600)	1	
22	17982-10L00	HOSE,RESERVOIR TANK OVER FLOW	1	
23	09111-06085	BOLT (6X12)	2	
24	09401-08411	CLIP (ID:8.6)	2	

FIG.189A

FIG.189A (1-C-13) 2ND AIR

REF NO.	PART NO.	DESCRIPTION	Q'TY	REMARKS
1	18450-35F70	VALVE ASSY,2ND AIR REED	2	
2	18531-15H01	COVER,2ND AIR REED VALVE	2	
3	18751-10L00	PLATE,2ND AIR REED VALVE	4	
4	01547-0616A	BOLT	4	
5	18461-15H00	HOSE,2ND AIR VALVE,R	1	
6	18471-15H00	HOSE,2ND AIR VALVE,L	1	
7	18510-29G31	VALVE ASSY,AIR CUT	1	
8	18610-15H00	BRACKET,2ND AIR VALVE	1	
9	01550-0616A	BOLT	2	
10	18711-10L00	HOSE,2ND AIR CLNR	1	
11	09401-18101	CLIP	3	
12	09401-17201	CLIP	3	

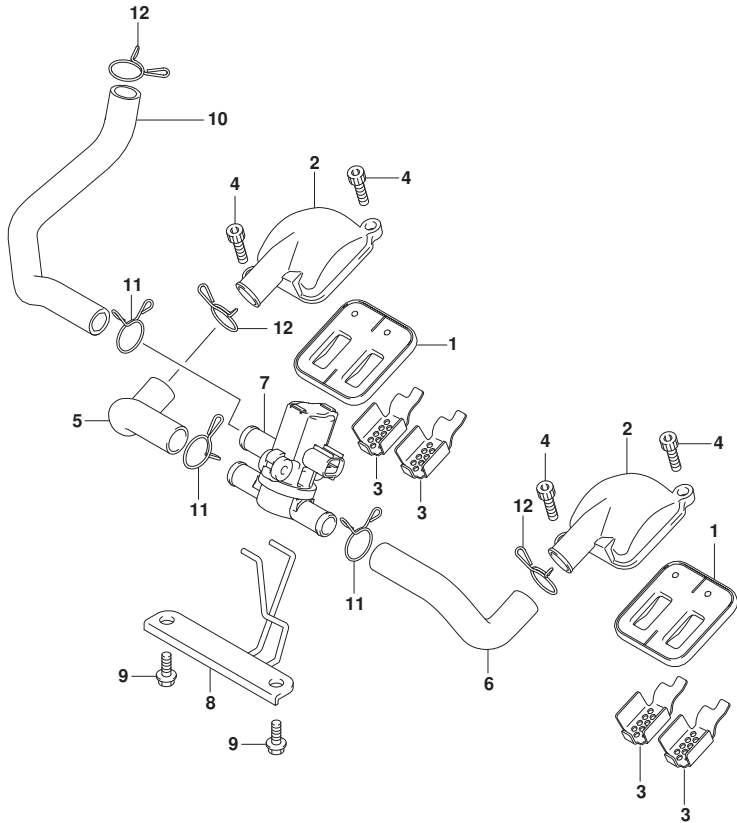


FIG.201A

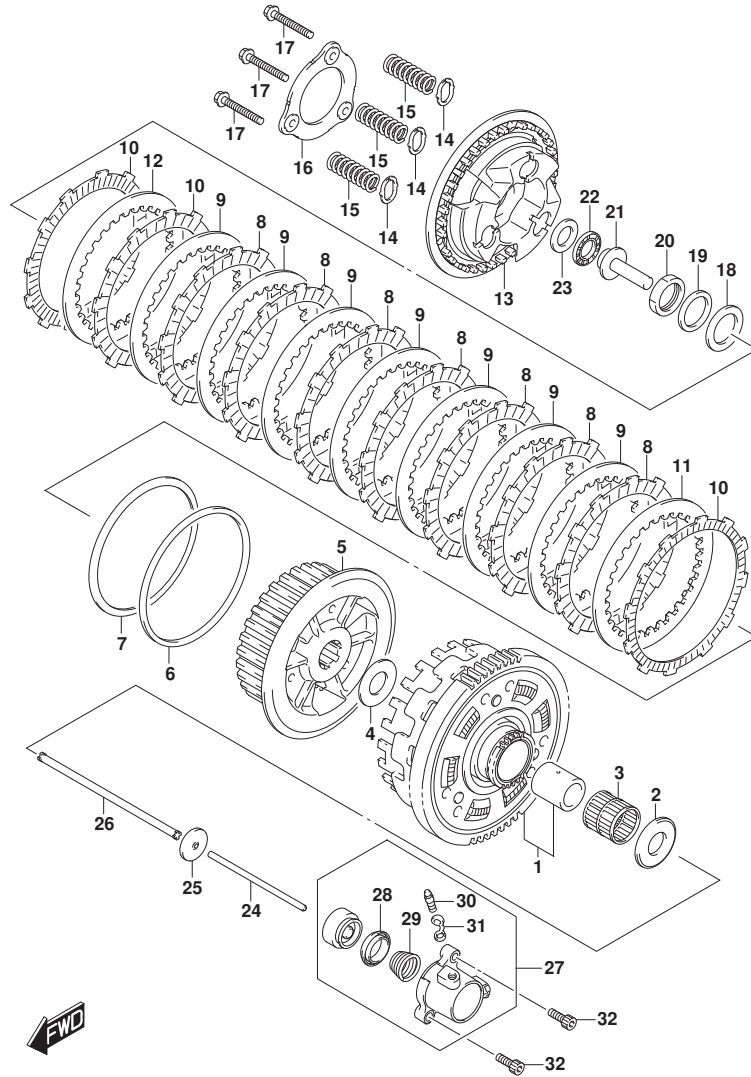


FIG.201A (1-C-14) CLUTCH

REF NO.	PART NO.	DESCRIPTION	Q'TY	REMARKS
1	21200-24810	GEAR ASSY,PRI DRIVEN (NT:83)	1	
2	09160-25073	WASHER (25X54X2.4)	1	
3	09263-35013	BEARING (35X40X39.8)	1	
4	21412-10L00	WASHER,CLUTCH SLEEVE HUB THR	1	
5	21411-31J10	HUB,CLUTCH SLEEVE	1	
6	21471-24F00	SEAT,WAVE WASHER	1	
7	21472-06G00	WASHER,CLUTCH PLATE WAVE	1	
8	21441-24F50	PLATE,CLUTCH DRIVE NO.1	7	
9	21451-24F00	PLATE,CLUTCH DRIVEN NO.1 (T:2.0)	7	
10	21451-24F20	PLATE,CLUTCH DRIVEN NO.1	1	
11	21442-31J00	PLATE,CLUTCH DRIVE NO.2 (T:3.8)	3	
12	21452-31J00	PLATE,CLUTCH DRIVEN NO.2 (T:2.0)	1	
13	21462-31J10	DISC,CLUTCH PRESSURE	1	
14	21415-31J00	SEAT,CLUTCH SPRING	3	
15	21413-10L00	SPRING,CLUTCH	3	
16	21414-31J00	PLATE,STOPPER	1	
17	21482-10L00	BOLT,CLUTCH SPRING	3	
18	09181-25223	SHIM (25X38X1)	1	
19	09164-24008	WASHER (24.2X35X2.7)	1	
20	09159-24010	NUT	1	
21	23121-31E00	PIECE,CLUTCH PUSH	1	
22	09263-15003	BEARING (15X28X2)	1	
23	09160-15045	WASHER (15.5X28X1)	1	
24	23111-10L00	ROD,CLUTCH PUSH,L	1	
25	09283-06013	SEAL,OIL	1	
26	23110-38B00	ROD,CLUTCH PUSH,R	1	
27	23160-02F12	CYLINDER,CLUTCH RELEASE	1	
28	23163-10F00	.CUP	1	
29	23164-10F00	.SPRING	1	
30	59121-01A00	.BLEEDER	1	
31	59122-01A00	.CAP,BLEEDER	1	
32	07130-0625A	BOLT (6X25)	2	

FIG.206A

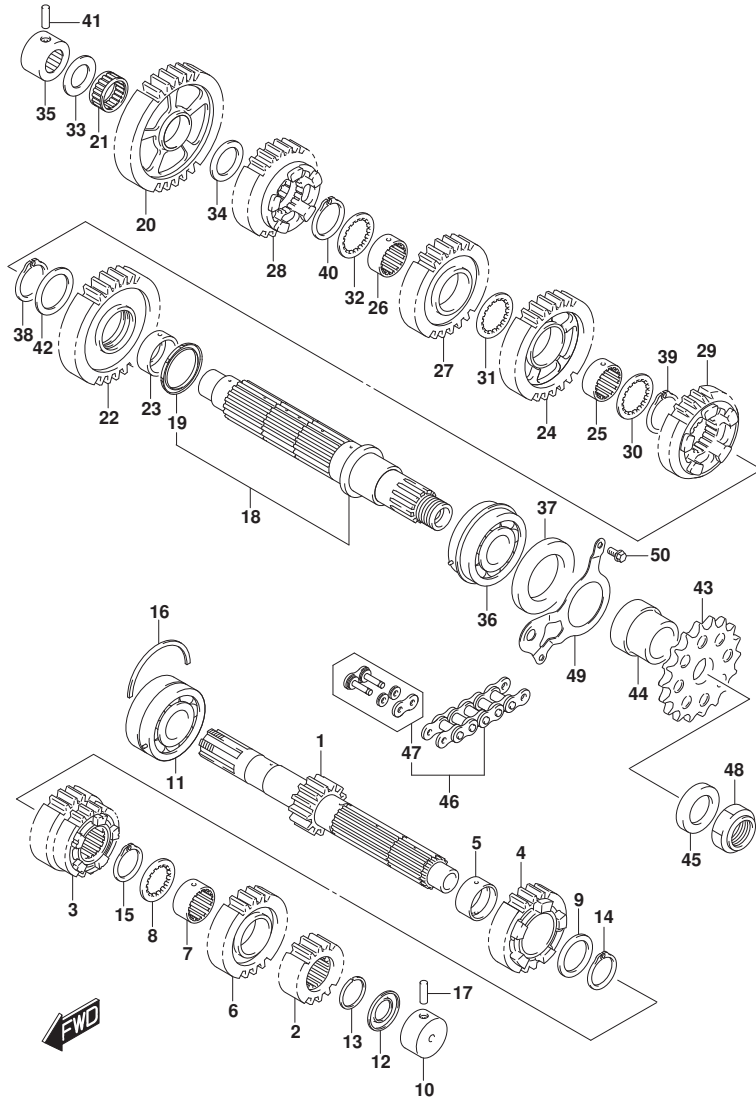
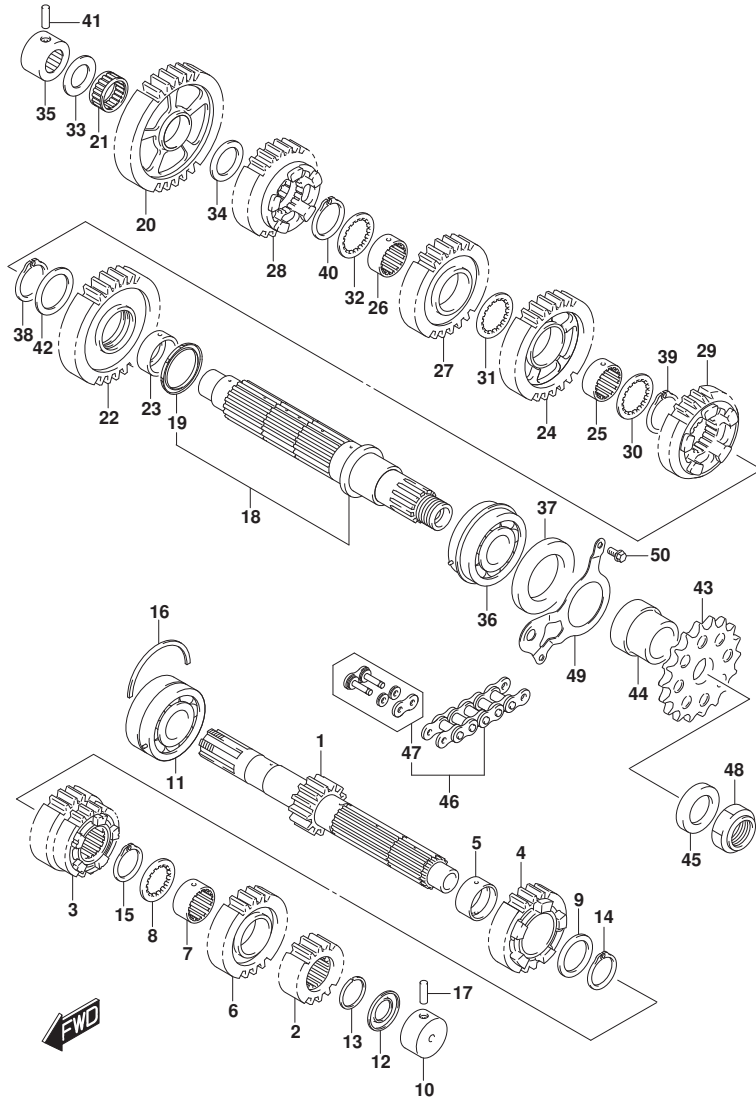


FIG.206A (1-C-15) TRANSMISSION

REF NO.	PART NO.	DESCRIPTION	Q'TY	REMARKS
1	24120-10L00	SHAFT,CNTR	1	
2	24221-15H00	GEAR,2ND DRIVE (NT:16)	1	
3	24231-15H00	GEAR,3RD & 4TH DRIVE (NT:19/21)	1	
4	24251-15H01	GEAR,5TH DRIVE (NT:22)	1	
5	24252-24F20	BUSH,5TH DRIVE GEAR	1	
6	24261-10L00	GEAR,6TH DRIVE	1	
7	24262-24F20	BUSH,6TH DRIVE GEAR	1	
8	24263-10L00	WASHER,6TH DRIVE GEAR	1	
9	09181-27014	SHIM (27X36X2.5)	1	
10	09263-20117	BEARING	1	
11	09267-25012	BEARING (25X62X25.4)	1	
12	09285-20006	SEAL,OIL (20X31.2X2.7)	1	
13	09380-27004	CIRCLIP	1	
14	09380-27006	CIRCLIP	1	
15	09380-27006	CIRCLIP	1	
16	09390-62012	C-RING	1	
17	04221-07209	PIN	1	
18	24130-10L00	SHAFT,DRIVE	1	
19	24136-48G01	.RING,DRIVE SHAFT FRICTION	1	
20	24311-10L00	GEAR,1ST DRIVEN	1	
21	09263-24030	BEARING (24X28X13)	1	
22	24321-15H00	GEAR,2ND DRIVEN (NT:31)	1	
23	24322-48G00	BUSH,2ND DRIVEN GEAR	1	
24	24331-15H00	GEAR,3RD DRIVEN (NT:29)	1	
25	24332-24F20	BUSH,3RD DRIVEN GEAR	1	
26	24332-24F20	BUSH,3RD DRIVEN GEAR	1	
27	24341-15H00	GEAR,4TH DRIVEN (NT:27)	1	
28	24351-10L00	GEAR,5TH DRIVEN	1	
29	24361-15H00	GEAR,6TH DRIVEN (NT:24)	1	
30	09167-30008	WASHER,LOCK (30X38X2)	1	
31	09167-30008	WASHER,LOCK (30X38X2)	1	
32	09167-30008	WASHER,LOCK (30X38X2)	1	
33	09181-20251	SHIM (20X34X1)	1	
34	09181-24005	SHIM (24X34X1)	1	

FIG.206A



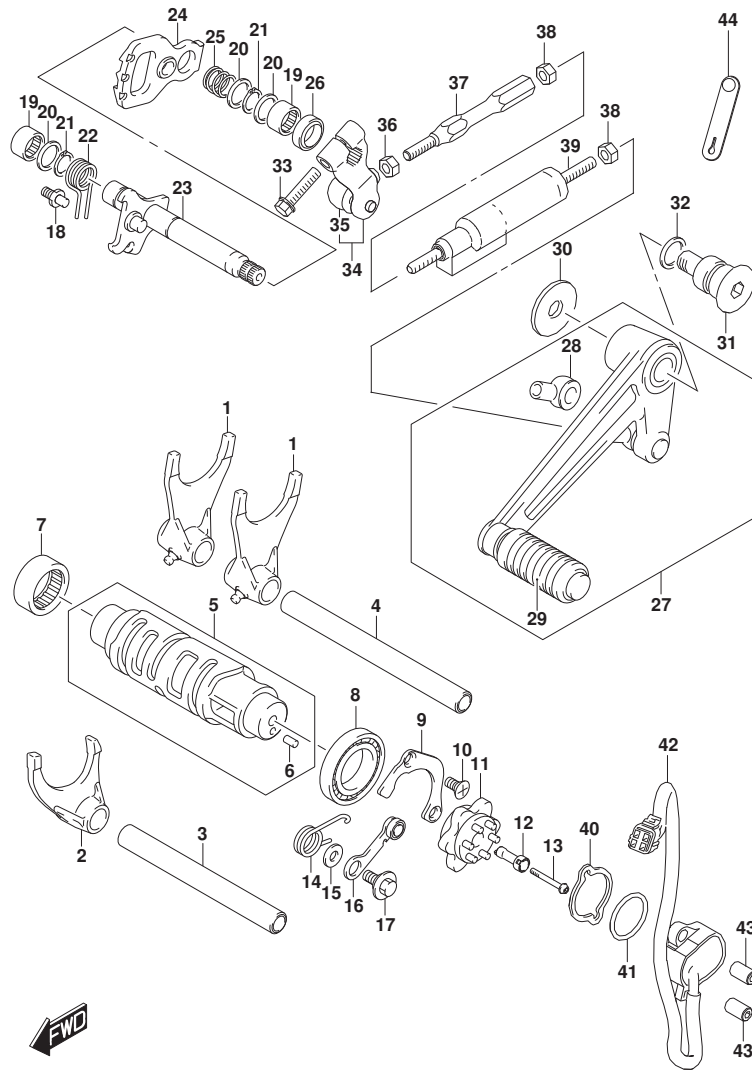
GSX1300RRQM4_E01_206A
TRANSMISSION

FIG.206A (1-C-16) TRANSMISSION

REF NO.	PART NO.	DESCRIPTION	Q'TY	REMARKS
35	09263-20118	BEARING	1	
36	09267-30011	BEARING (30X62X23.8)	1	
37	09283-42018	SEAL,OIL (42X62X7)	1	
38	09380-30009	CIRCLIP	1	
39	09380-30009	CIRCLIP	1	
40	09380-30009	CIRCLIP	1	
41	04221-07209	PIN	1	
42	08211-30405	WASHER	1	
43	27511-15H00	SPROCKET,ENGINE	1	
44	27531-15H00	SPACER,ENGINE SPROCKET NO.1	1	
45	27532-15H00	SPACER,ENGINE SPROCKET NO.2 (2 7.2X42X6.5)	1	
46	27600-24F80-114	CHAIN ASSY,DRIVE (GREEN)	1	
47	27620-24F70	.JOINT SET CHAIN	1	
48	09159-22008	NUT	1	
49	24751-10L00	RETAINER,CL PUSH ROD OIL SEAL	1	
50	09103-06236	BOLT (6X12)	1	

GSX1300RRQM4_E01

FIG.212A



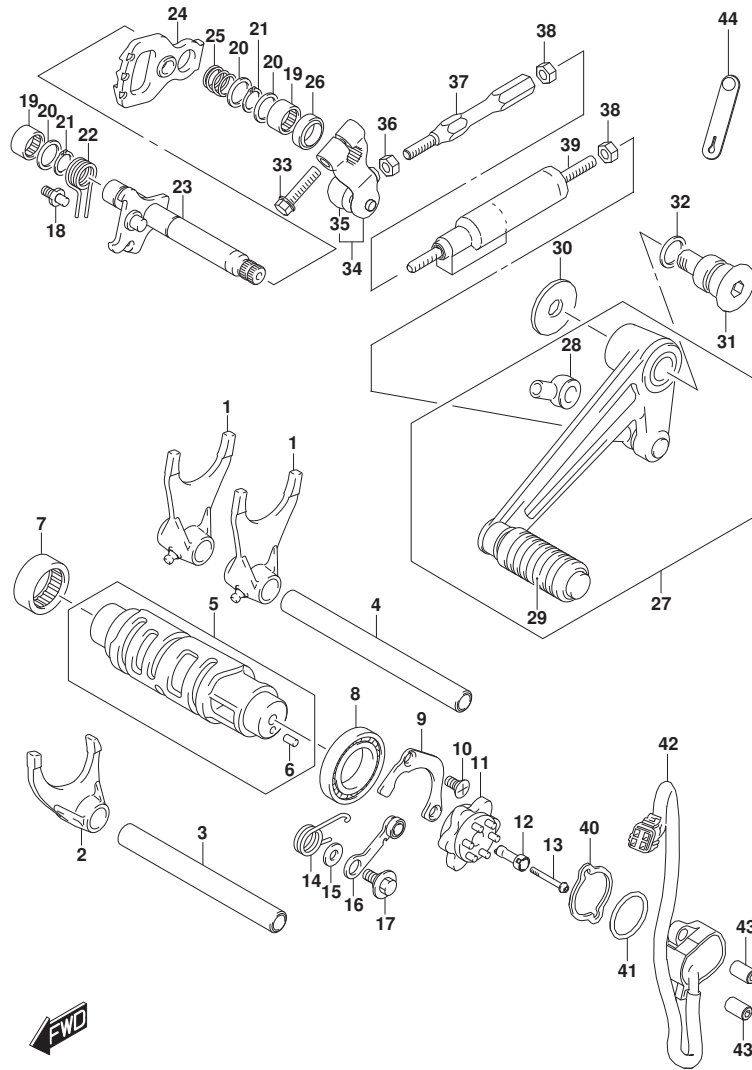
GSX1300RRQM4_E01_212A
GEAR SHIFTING

FIG.212A (1-D-2) GEAR SHIFTING

REF NO.	PART NO.	DESCRIPTION	Q'TY	REMARKS
1	25211-24F20	FORK,GEAR SHIFT NO.1	2	
2	25231-24F20	FORK,GEAR SHIFT NO.3	1	
3	25411-24F00	SHAFT,SHIFT FORK NO.2 (L:132)	1	L:132
4	25411-38B01	SHAFT,GEAR SHIFT FORK (L:152)	1	
5	25310-10L00	CAM,GEAR SHIFT	1	
6	04221-04089	.PIN (4X13.8)	1	
7	09263-25018	BEARING (25X32X12)	1	
8	09262-25006	BEARING (25X47X8)	1	
9	24741-24F10	RETAINER,SHIFT CAM BEARING	1	
10	09126-06011	SCREW (6X12)	2	
11	25381-10L00	PLATE,GEAR SHIFT CAM	1	
12	25312-10L00	STOPPER,SHIFT CAM DRIVE PLATE	1	
13	25314-10L00	BOLT,GEAR SHIFT CAM PLATE	1	
14	25355-06J00	SPRING,SHIFT CAM STOPPER	1	
15	08211-06141	WASHER	1	
16	25350-24F00	STOPPER,SHIFT CAM	1	
17	09111-06041	BOLT (6X14.3)	1	
18	25671-01011	STOPPER,GEAR SHIFT ARM	1	
19	09263-14027	BEARING (14X20X12)	2	
20	09181-14195	SHIM (14X24X1)	3	
21	08331-3114A	CIRCLIP	2	
22	25518-06L00	SPRING,GEAR SHIFT SHAFT RETURN	1	
23	25510-10L00	SHAFT,GEAR SHIFT	1	
24	25512-06G20	PLATE,GEAR SHIFT CAM DRIVE	1	
25	09440-17009	SPRING	1	
26	09283-14005	SEAL,OIL (14X22X7.3)	1	
27	25600-10L00	LEVER ASSY,GEAR SHIFT	1	
28	25526-47001	.COVER,DUST	1	
29	25652-20C00	.RUBBER,GEAR SHIFT PEDAL	1	
30	09160-10144	WASHER (10X30X2.5)	1	
31	25617-17K00	SHAFT,GEAR SHIFT LEVER	1	
32	25619-17K00	WASHER,GEAR SHIFT LEVER LH	1	
33	01547-0625A	BOLT	1	
34	25520-10L00	ARM,GEAR SHIFT LINK	1	
35	25526-47001	.COVER,DUST	1	

GSX1300RRQM4_E01

FIG.212A



GSX1300RRQM4_E01_212A
GEAR SHIFTING

FIG.212A (1-D-3) GEAR SHIFTING

REF NO.	PART NO.	DESCRIPTION	Q'TY	REMARKS
36	09140-06025	NUT	1	
37	25525-10L00	ROD,GEAR SHIFT LINK	1	
38	09140-06020	NUT	2	
39	25500-10810	SENSOR & ROD SET	1	
40	37732-10L00	PLATE,GEAR POSITION SNSR	1	
41	09280-26005	O-RING (D:2.4, ID:26.2)	1	
42	37730-10L00	SENSOR ASSY,GEAR POSITION	1	
43	37733-10L00	NUT,GEAR SHIFT SW	2	
44	36990-06L00	CLAMP,HANDLE SWITCH (L:145)	1	

GSX1300RRQM4_E01

FIG.301A

FIG.301A (1-D-4) STARTING MOTOR

REF NO.	PART NO.	DESCRIPTION	Q'TY	REMARKS
1	31100-15H21	MOTOR ASSY,STARTING	1	
2	31132-45C00	.HOLDER SET,BRUSH	1	
3	31143-38300	.O-RING	1	
4	31150-15H20	.HOUSING ASSY,STARTER	1	
5	31153-49210	..SEAL,OIL	1	
6	31171-24F00	.FRAME,STARTER END	1	
7	31172-38300	.BUSHING	1	
8	31173-88C00	.BUSHING	1	
9	31264-44110	.O-RING	2	
10	31281-24F00	.BOLT	2	
11	31361-38300	.SHIM	2	
12	31361-43400	.WASHER	1	
13	09280-24003	.O-RING (D:3,ID:24.5)	1	
14	08310-00067	.NUT	1	
15	01547-0625A	BOLT	2	
16	08361-3506A	NUT	1	

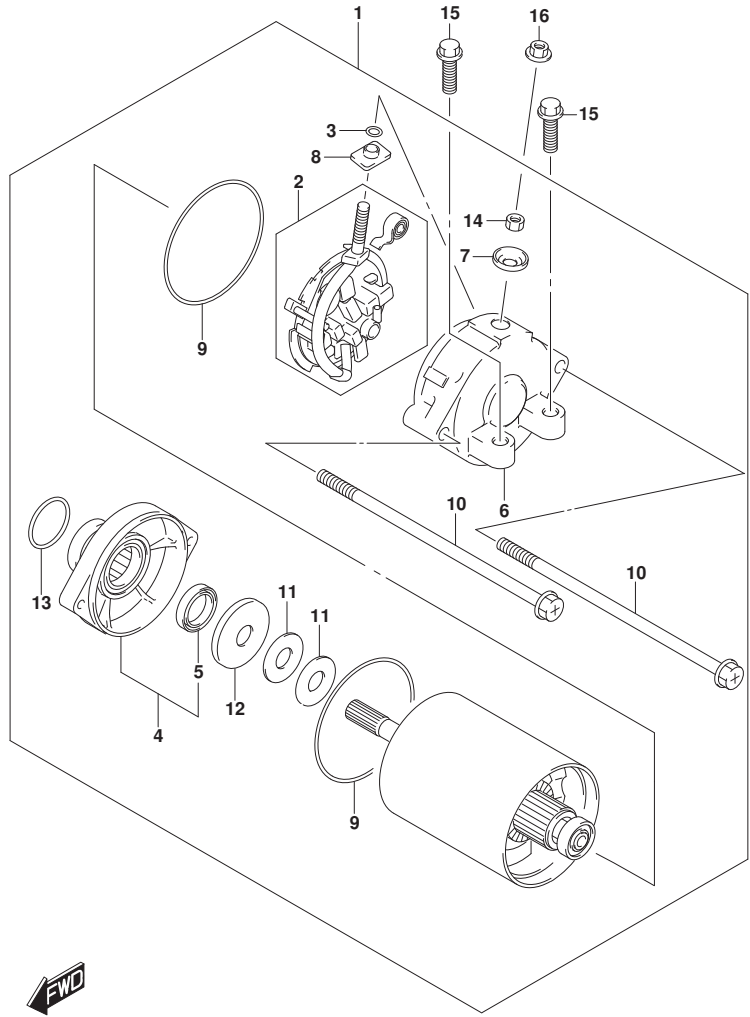


FIG.303A

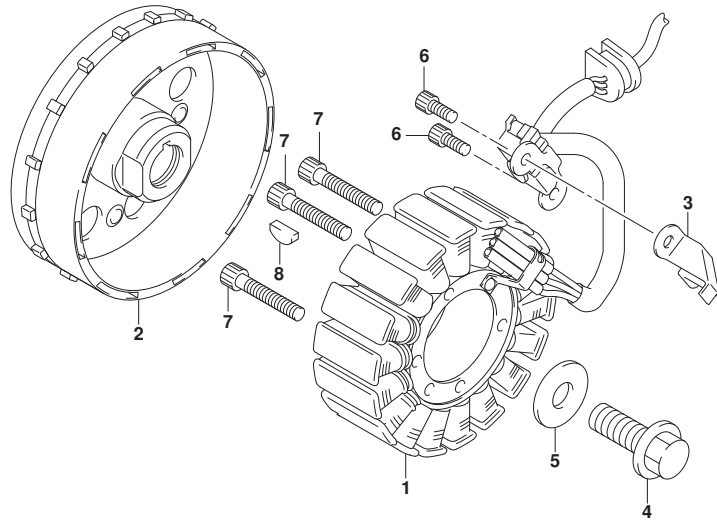


FIG.303A (1-D-5) MAGNETO

REF NO.	PART NO.	DESCRIPTION	Q'TY	REMARKS
1	32101-24F22	STATOR ASSY,MAGNETO	1	
2	32102-10L00	ROTOR ASSY,MAGNETO	1	
3	32371-24F00	CLAMP,MAGNETO LEAD	1	
4	09103-12028	BOLT (12X30)	1	
5	09160-12036	WASHER (12X30X3.0)	1	
6	07130-0512A	BOLT	2	
7	07130-0635A	BOLT	3	
8	09420-04008	KEY (B:4,D:16,H6.5)	1	

FIG.310A

FIG.310A (1-D-6) BATTERY

REF NO.	PART NO.	DESCRIPTION	Q'TY	REMARKS
1	33620-31J01	BATTERY ASSY (FTZ14S,12V/11.2A H)	1	
2	33652-36000	CUSHION (30X50X3)	2	
3	33652-10L00	PROTECTOR,BATTERY	2	
4	33652-10L10	CUSHION,BATTERY	1	
5	33652-10L20	CUSHION,BATTERY	1	
6	33652-27G00	CUSHION (12X20X3)	4	
7	33442-41F00	CUSHION,HIGH TENSION CORD (58X 58X10)	1	
8	63113-15H01	CUSHION,REAR FENDER FRONT	1	
9	33810-10L00	WIRE,STARTER MOTOR LEAD	1	
10	33820-10L00	WIRE,BATTERY PLUS LEAD	1	
11	33860-10L00	WIRE,BATTERY MINUS LEAD	1	

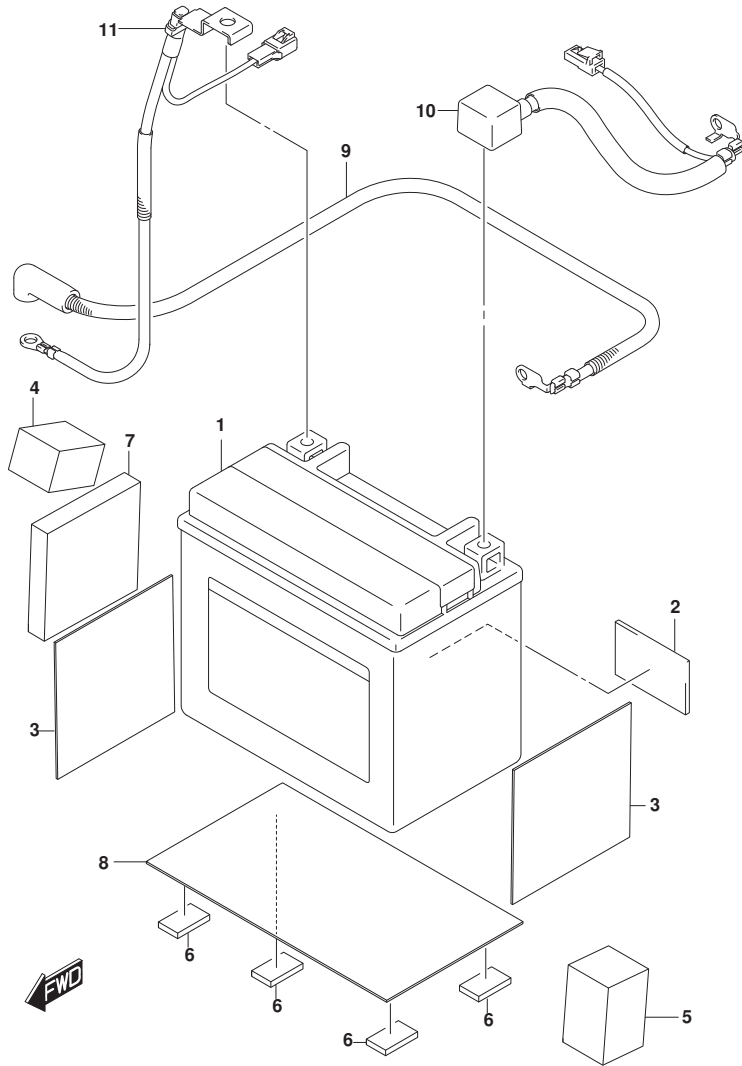


FIG.312E

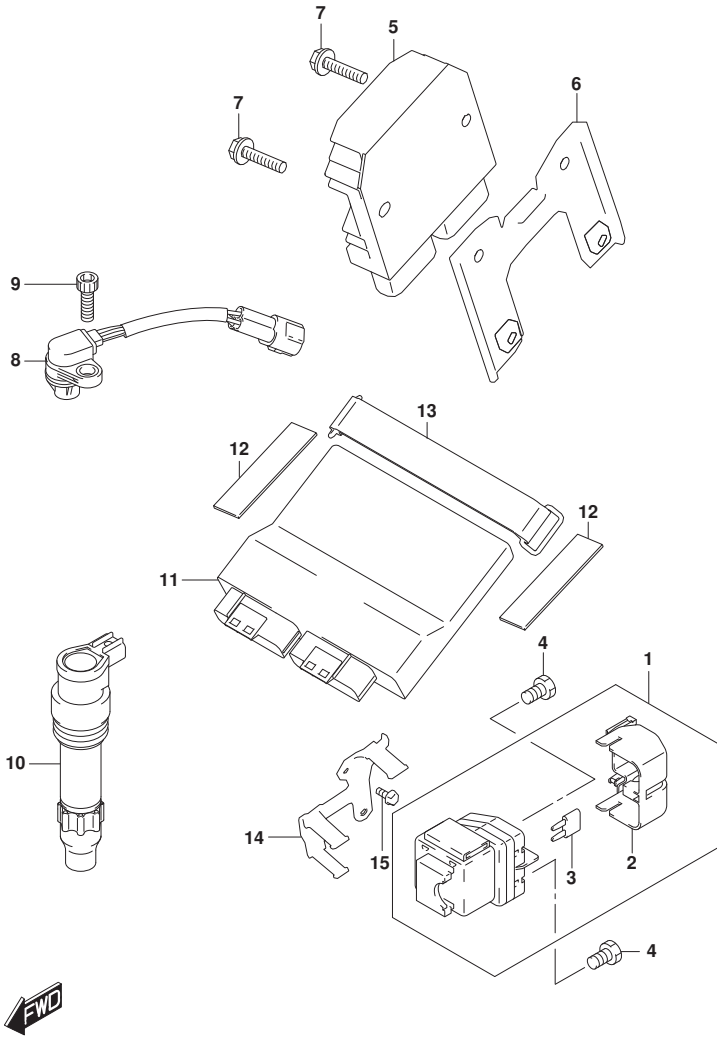
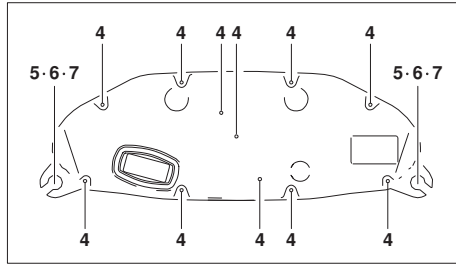


FIG.312E (1-D-7) ELECTRICAL

REF NO.	PART NO.	DESCRIPTION	Q'TY	REMARKS
1	31800-44G00	RELAY ASSY,STARTING MOTOR	1	
2	31861-38G00	.COVER	1	
3	09481-30501	.FUSE (30A)	2	
4	09128-06013	SCREW (6X8)	2	
5	32800-26J10	RECTIFIER ASSY	1	
6	94560-10L00	BRACKET,RECTIFIER	1	
7	02162-0625B	SCREW	2	
8	33220-01H01	SENSOR ASSY,CAM POSITION	1	
9	07130-0616A	BOLT (6X16)	1	
10	33410-10L00	COIL ASSY,IGNITION	4	
11	32910-10L00	ECM,BLANK	1	
12	33652-38A10	PROTECTOR (20X90X2.0)	2	
13	09462-00007	BAND	1	
14	47423-10L00	BRACKET,RELAY	1	
15	01550-0616A	BOLT	1	

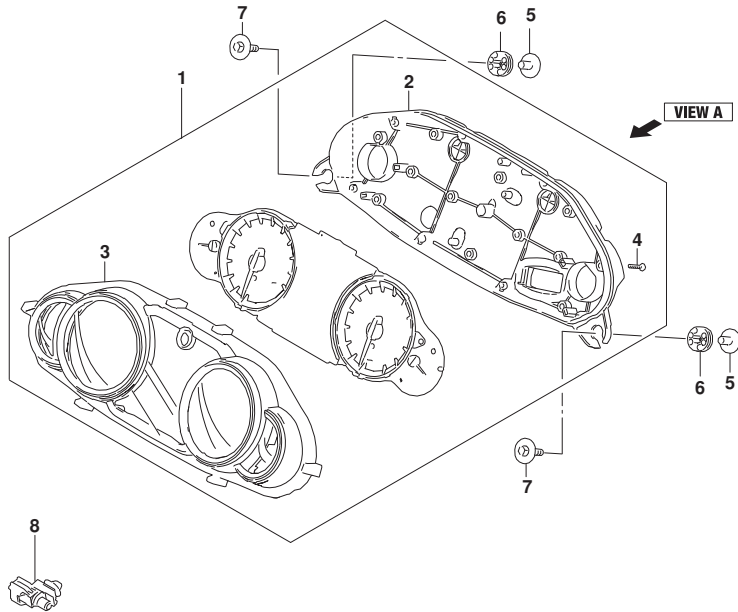
FIG.330A



VIEW A

FIG.330A (1-D-8) SPEEDOMETER

REF NO.	PART NO.	DESCRIPTION	Q'TY	REMARKS
1	34100-10L01	SPEEDOMETER ASSY	1	
2	34111-10L00	.CASE ASSY,LOWER	1	
3	34150-10L00	.CASE ASSY,UPPER	1	
4	34183-10C00	.SCREW	11	
5	34187-24F00	WASHER	2	
6	34955-10L00	CUSHION,SPEEDOMETER	2	
7	09116-06186	BOLT (6X25)	2	
8	#05643-58J00	SENSOR,AIR TEMP	1	



VIEW A

FIG.333A

FIG.333A (1-D-9) HEADLAMP

REF NO.	PART NO.	DESCRIPTION	Q'TY	REMARKS
1	35100-10L00	HEADLAMP ASSY	1	
2	09136-05062	SCREW (5X15)	6	
3	44294-43H11	CUSHION,FUEL TANK COVER	5	
4	44572-37H00	FASTENER,COWLING (20X15X0.8)	1	
5	09320-09059	CUSHION (9X18X14)	6	

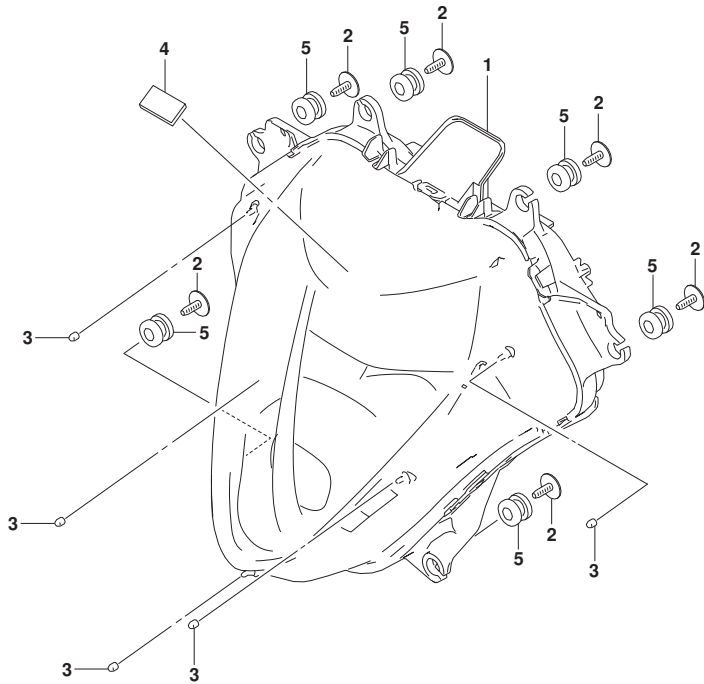


FIG.334A

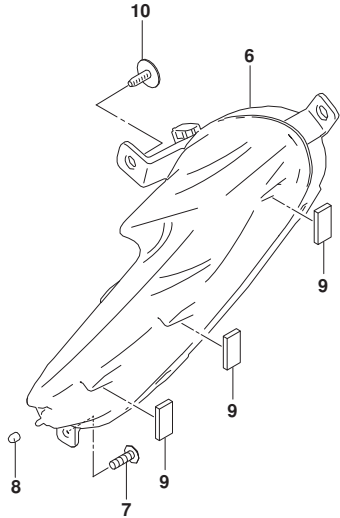
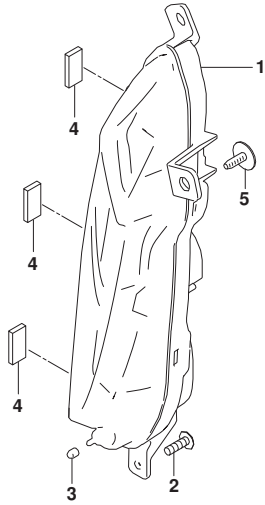


FIG.334A (1-D-10) TURNSIGNAL LAMP

REF NO.	PART NO.	DESCRIPTION	Q'TY	REMARKS
1	35601-10L01	LAMP ASSY,FRONT TURNSIGNAL RH	1	
2	03541-0516A	SCREW	1	
3	44294-43H11	CUSHION,FUEL TANK COVER	1	
4	73415-70A00	PAD (8X20X2)	3	
5	09136-05062	SCREW (5X15)	1	
6	35602-10L01	LAMP ASSY,FRONT TURNSIGNAL,L	1	
7	03541-0516A	SCREW	1	
8	44294-43H11	CUSHION,FUEL TANK COVER	1	
9	73415-70A00	PAD (8X20X2)	3	
10	09136-05062	SCREW (5X15)	1	



FIG.339A

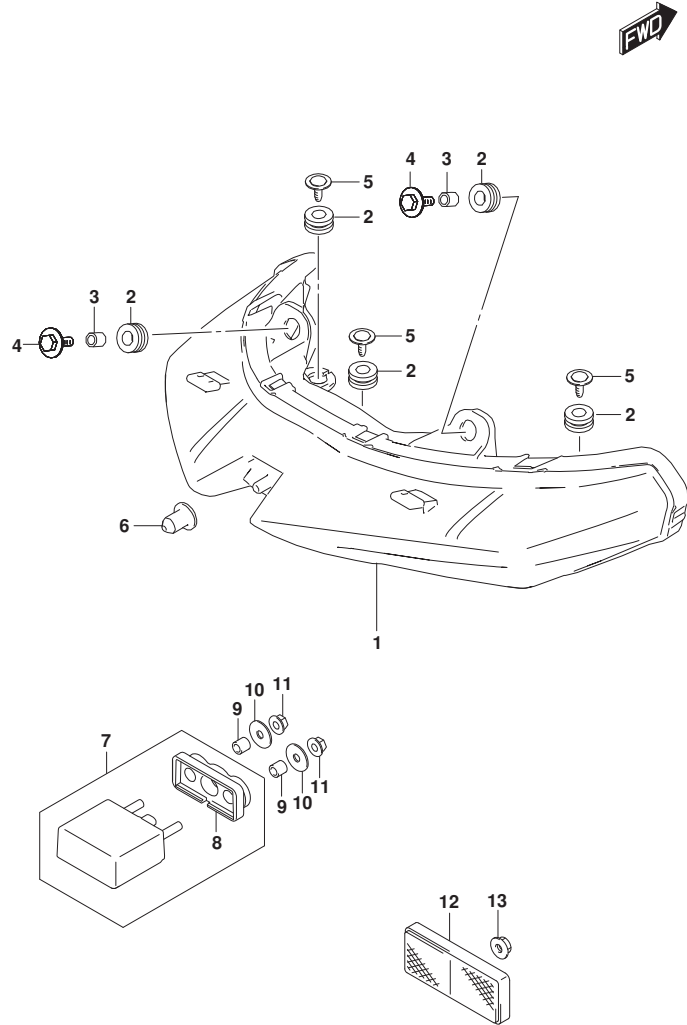
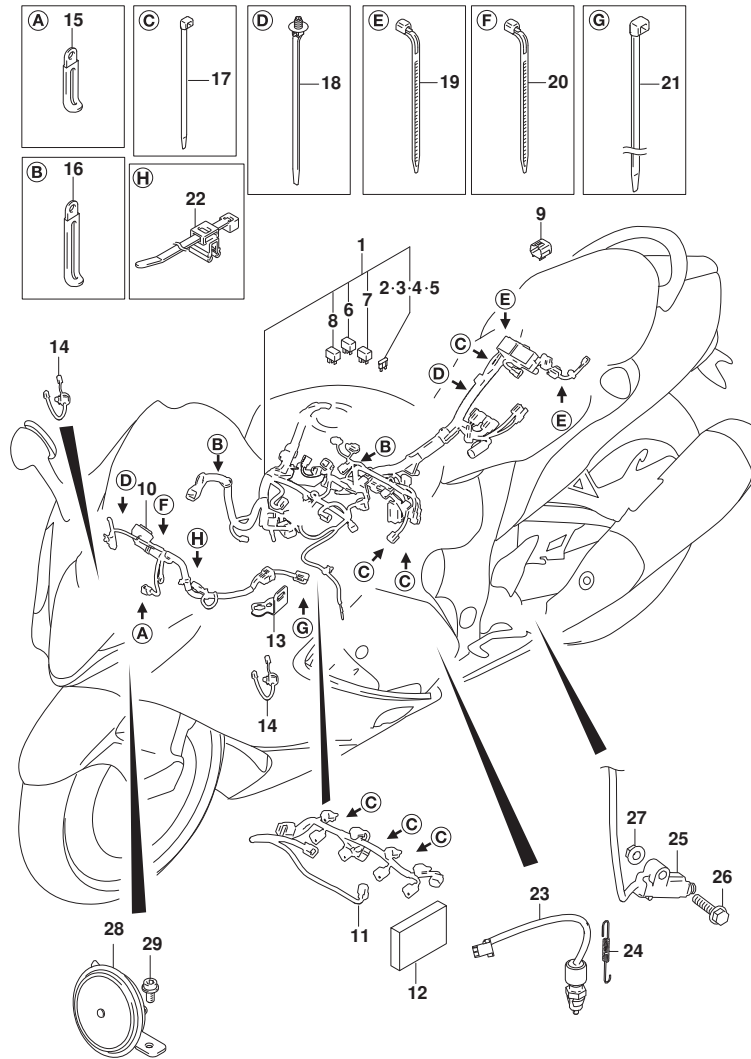


FIG.339A (1-D-11) REAR COMBINATION LAMP

REF NO.	PART NO.	DESCRIPTION	Q'TY	REMARKS
1	35710-10L00	LAMP ASSY,REAR COMB	1	
2	09320-10073	CUSHION	5	
3	09180-06310	SPACER (6.5X10X10)	2	
4	09116-06188	BOLT (6X20)	2	
5	09136-05062	SCREW (5X15)	3	
6	51831-21D00	CUSHION,HEADLAMP BRACE	1	
7	35910-17KA0	LAMP ASSY,LICENSE	1	
8	35913-17K00	.RUBBER	1	
9	09180-06263	SPACER (6.5X9X9)	2	
10	09160-05045	WASHER (5.5X18X1.0)	2	
11	08316-1005A	NUT	2	
12	35970-07F01	REFLECTOR ASSY,RR	1	
13	08316-1005B	NUT	1	

FIG.350B

FIG.350B (1-D-12) WIRING HARNESS



REF NO.	PART NO.	DESCRIPTION	Q'TY	REMARKS
1	36610-10L20	HARNES,WIRING	1	
2	09481-07504	.FUSE (7.5A)	1	
3	09481-10504	.FUSE (10A)	1	
4	09481-15504	.FUSE (15A)	1	
5	09481-30504	.FUSE (30A)	1	
6	38860-76F01	.RELAY ASSY	1	FUEL PUMP
7	38860-76F01	.RELAY ASSY	1	FAN MOTOR
8	38860-76F01	.RELAY ASSY	1	SUB START
9	36654-28K00	CAP,OB D CONNECTOR	1	
10	36620-10L00	HARNES,WIRING NO.2	1	
11	36630-10L00	HARNES,WIRING NO.3	1	
12	36652-10L00	CUSHION,HARNES WIRING	1	
13	36672-10L00	BRACKET,WIRING HARNESS	1	
14	36852-10L00	WIRE,FAN MOTOR LEAD	2	
15	09404-06429	CLAMP (L:45)	1	
16	09407-11401	CLAMP (L:95)	1	
17	09407-14407	CLAMP (L:145)	6	
18	09407-17403	CLAMP (L:170)	2	
19	09407-19401	CLAMP (L:190)	2	
20	09407-19408	CLAMP	1	
21	09407-38402	CLAMP	1	
22	36990-10L00	CLAMP	1	
23	37740-10L00	SWITCH ASSY,STOP LAMP	1	
24	09443-06012	SPRING	1	
25	37840-24F01	SWITCH ASSY,SIDE STAND	1	
26	09103-08357	BOLT (8X35)	1	
27	08316-1008B	NUT	1	
28	38500-24F40	HORN ASSY	1	
29	07120-0612A	BOLT	1	

FIG.352B

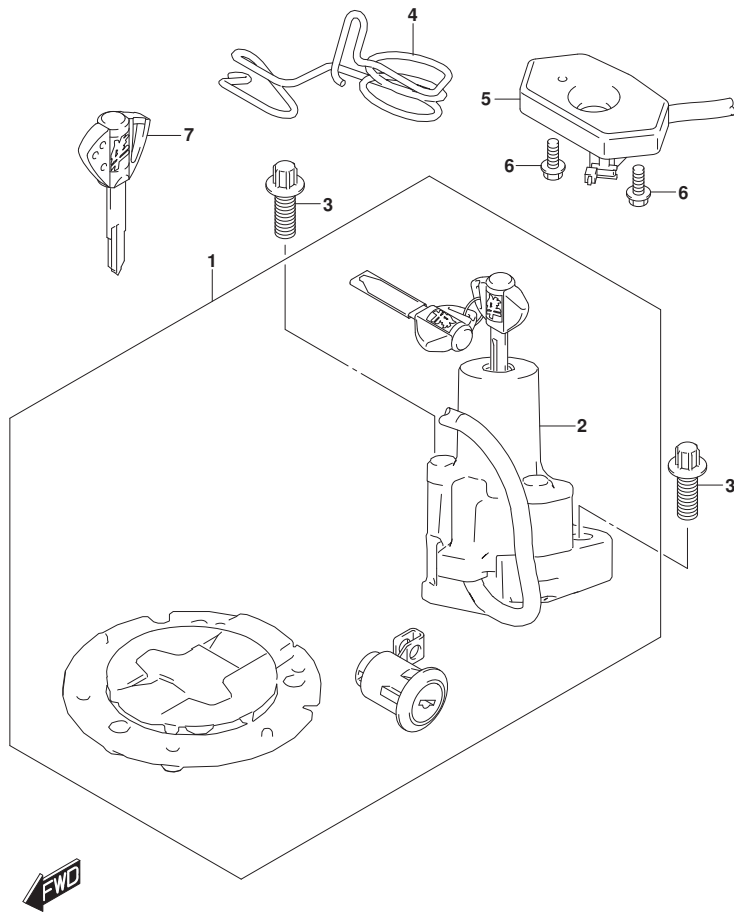


FIG.352B (1-D-13) LOCK SET

REF NO.	PART NO.	DESCRIPTION	Q'TY	REMARKS
1	37102-10891	LOCK SET	1	
2	37100-10L11	.LOCK ASSY,STEERING	1	
3	37152-17K00	BOLT,STEERING LOCK (8X20)	2	
4	36619-10L00	GUIDE,WIRING HARNESS	1	
5	37180-10L02	ANTENNA ASSY,IMMOBILIZER	1	
6	01547-0530A	BOLT	2	
7	37146-10L00	KEY,BLANK	1	OPT

FIG.355A

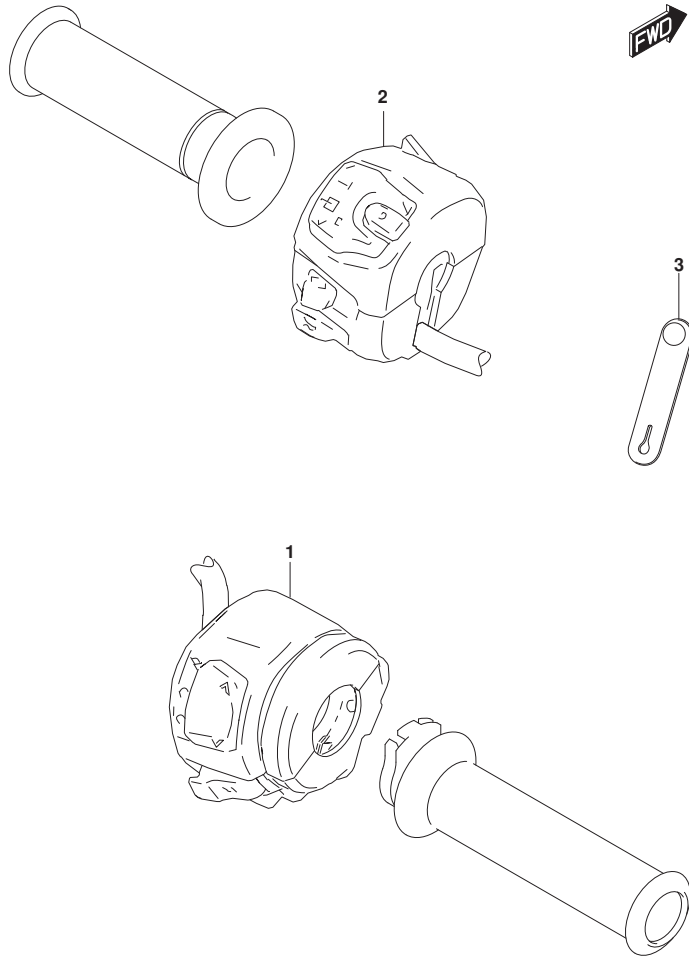


FIG.355A (1-D-14) HANDLE SWITCH

REF NO.	PART NO.	DESCRIPTION	Q'TY	REMARKS
1	37200-10L00	SWITCH ASSY,HANDLE RH	1	
2	37400-10L01	SWITCH ASSY,HANDLE LH	1	
3	36990-06L00	CLAMP,HANDLE SWITCH (L:145)	1	

FIG.401A

FIG.401A (1-D-15) FRAME

REF NO.	PART NO.	DESCRIPTION	Q'TY	REMARKS
1	41100-15H20-YAP	FRAME (BLACK)	1	
2	41200-10L00	RAIL,SEAT	1	
3	07120-1025A	BOLT	4	
4	41911-33E10	SPACER,ENGINE MTG	1	
5	09106-08105	BOLT (8X30)	1	
6	41921-15H20	BOLT,CRANK CASE ADJUST	2	
7	41921-15H30	BOLT,CRANK CASE ADJUST	1	
8	41922-19F12	NUT,CRANK CASE ADJUST	2	
9	41922-33E30	NUT,CRANK CASE ADJUST	1	

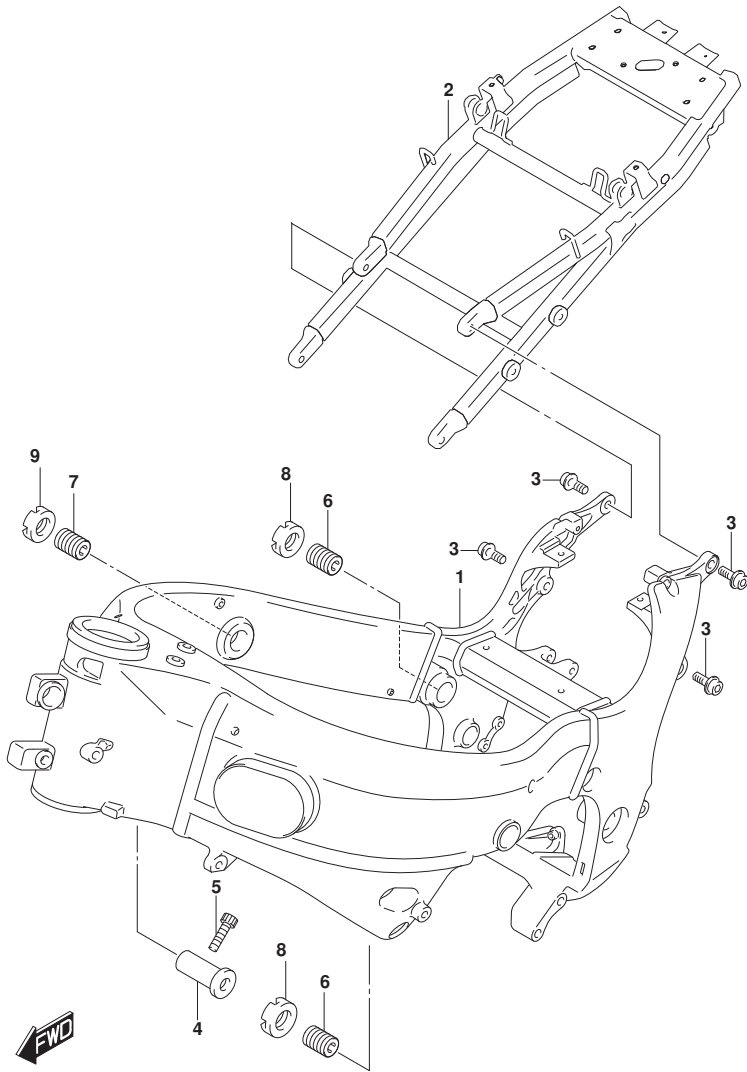


FIG.407A

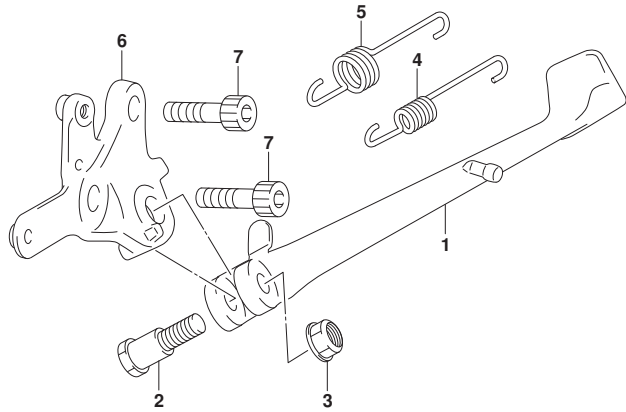
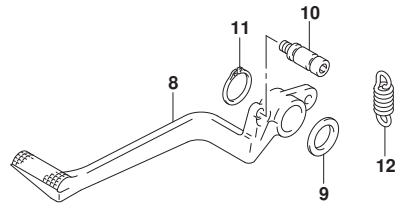


FIG.407A (1-D-16) STAND

REF NO.	PART NO.	DESCRIPTION	Q'TY	REMARKS
1	42310-24F00	STAND,PROP	1	
2	09111-10059	BOLT (10X21)	1	
3	09159-10103	NUT	1	
4	09443-14068	SPRING	1	
5	09443-19015	SPRING	1	
6	42330-24F01	BRACKET,PROP STAND	1	
7	09106-12003	BOLT (12X35)	2	
8	43110-10L00	PEDAL,BRAKE	1	
9	09160-16057	WASHER	1	
10	43561-24F00	HOOK,RETURN SPRING	1	
11	08331-31169	CIRCLIP	1	
12	09443-13032	SPRING	1	



FIG.410A

FIG.410A (1-E-2) PILLION RIDER HANDLE

REF NO.	PART NO.	DESCRIPTION	Q'TY	REMARKS
1	46211-10L00	HANDLE,PILLION RIDER	1	
2	09106-08156	BOLT (8X37)	4	
3	09160-08158	WASHER (8.5X24X2.3)	4	
4	46212-10L00	CUSHION,PILLION RIDER HDL UPR	2	
5	46212-19K01	CUSHION,PILLION RIDER HDL FR	2	
6	09169-08049	WASHER	2	
7	46217-24F00	CUSHION,PILLION RIDER HANDLE	2	
8	47190-24F11	WASHER,PILLION	2	
9	46217-10L00	CUSHION,PILLION RIDER HANDLE	1	
10	44894-24A00	CUSHION (10X30X2)	2	

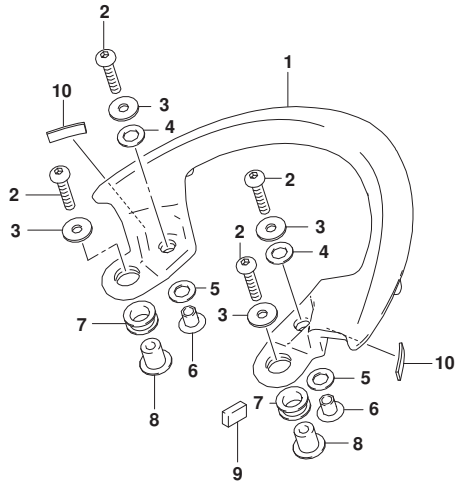


FIG.415A

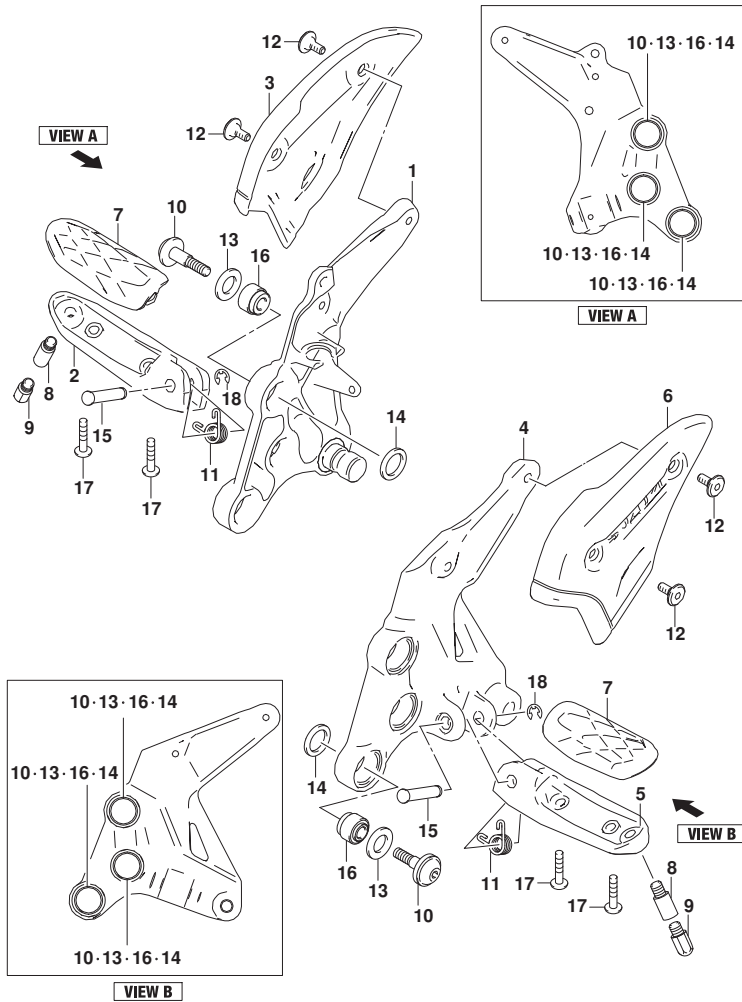


FIG.415A (1-E-3) FOOTREST

REF NO.	PART NO.	DESCRIPTION	Q'TY	REMARKS
1	43510-10L00	BRACKET,FR FOOTREST RH	1	
2	43516-10L00	BAR,FRONT FOOTREST RH	1	
3	43571-10L00	GUARD,FR FOOTREST RH	1	
4	43521-10L00	BRACKET,FR FOOTREST LH	1	
5	43526-10L00	BAR,FRONT FOOTREST LH	1	
6	43572-10L00	GUARD,FR FOOTREST LH	1	
7	43550-10L00	RUBBER,FOOTREST	2	
8	43576-15H00	SENSOR,FOOTREST	2	
9	43576-15H40	SENSOR,FOOTREST	2	
10	09106-08147	BOLT (8X30)	6	
11	43581-10L00	SPRING,FRONT FOOTREST	2	
12	09139-05092	SCREW (5X13)	4	
13	09161-13004	WASHER (13.7X24X2)	6	
14	09161-17002	WASHER (17.2X24X2.2)	6	
15	09208-08019	PIN	2	
16	09319-08045	BUSH (8.4X20X16)	6	
17	02142-0516A	SCREW	4	
18	08332-1106A	E-RING	2	

FIG.417A

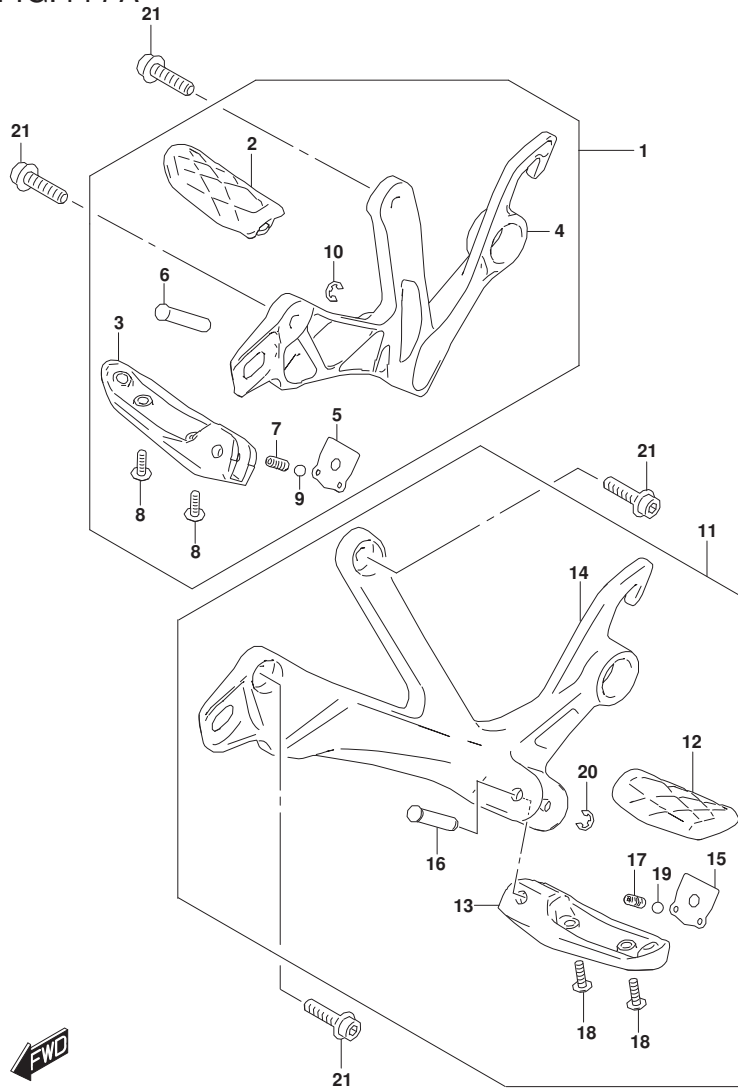


FIG.417A (1-E-4) PILLION FOOTREST

REF NO.	PART NO.	DESCRIPTION	Q'TY	REMARKS
1	43600-10L00	FOOTREST ASSY,PILLION RH	1	
2	43550-10L00	,RUBBER,FOOTREST	1	
3	43611-10L00	,BAR,PILLION FOOTREST RH	1	
4	43811-10L00	,BRACKET,PILLION FOOTREST RH	1	
5	43816-10L00	,PLATE,PILLION FOOTREST	1	
6	09208-08019	,PIN	1	
7	09440-06039	,SPRING	1	
8	02142-0516A	,SCREW	2	
9	06111-08004	,BALL	1	
10	08332-1106A	,E-RING	1	
11	43700-10L00	FOOTREST ASSY,PILLION LH	1	
12	43550-10L00	,RUBBER,FOOTREST	1	
13	43621-10L00	,BAR,PILLION FOOTREST LH	1	
14	43821-10L00	,BRACKET,PILLION FOOTREST LH	1	
15	43816-10L00	,PLATE,PILLION FOOTREST	1	
16	09208-08019	,PIN	1	
17	09440-06039	,SPRING	1	
18	02142-0516A	,SCREW	2	
19	06111-08004	,BALL	1	
20	08332-1106A	,E-RING	1	
21	09106-08121	BOLT (8X30)	4	

FIG.420A

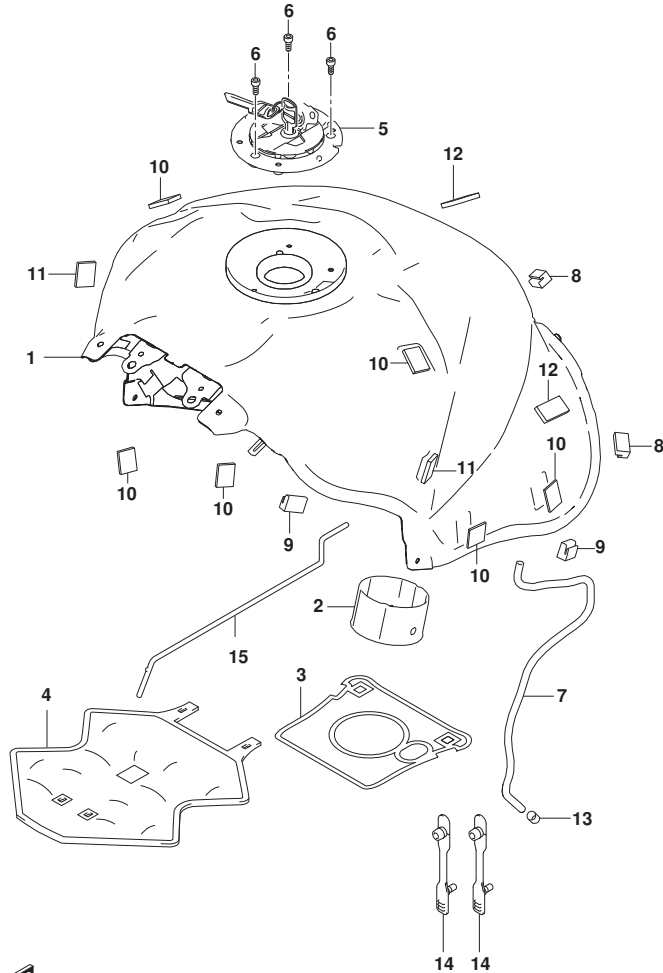


FIG.420A (1-E-5) FUEL TANK

REF NO.	PART NO.	DESCRIPTION	Q'TY	REMARKS
1	44100-10L00-QRE	TANK ASSY,FUEL (ORANGE)	1	
2	44121-28K01	VESSEL,FUEL TANK INNER	1	
3	44191-10L00	SHIELD,FUEL TANK HEAT	1	
4	44191-15H00	SHIELD,FUEL TANK HEAT NO.1	1	
5	44200-10810	CAP SET,FUEL TANK FILLER	1	
6	09106-05026	BOLT (5X12)	3	
7	44423-10L00	HOSE,FUEL TANK DRAIN	1	
8	44541-10L00	MOLDING,FUEL TANK	2	
9	44542-10L00	CUSHION,FUEL TANK SIDE	2	
10	44572-13G00	FASTENER (33X25X2.6)	6	
11	44572-44G00	FASTENER (20X15X2.6)	2	
12	53145-48B00	CUSHION (40X20X5)	2	
13	09352-11154-010	HOSE (11X15X10)	1	
14	09407-05406	CLAMP (L:118)	2	
15	44574-35F00	STAY,FUEL TANK	1	

FIG.422A

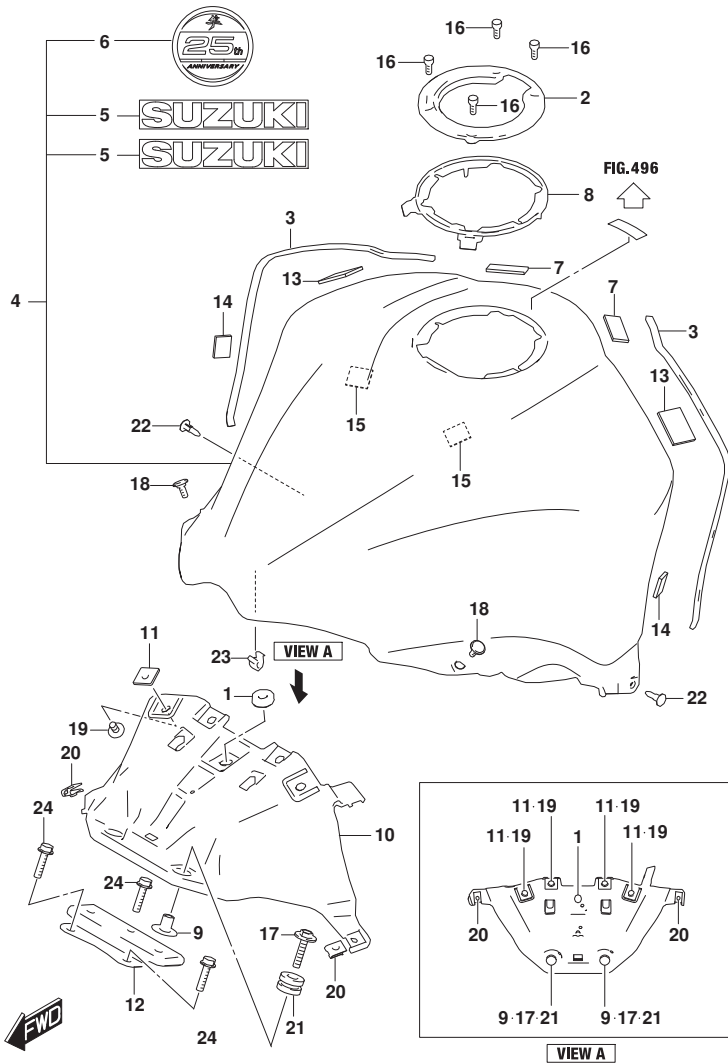
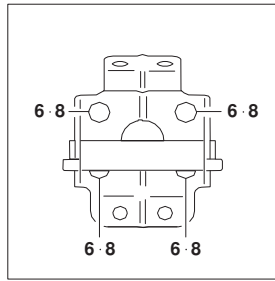


FIG.422A (1-E-6) FUEL TANK FRONT COVER

REF NO.	PART NO.	DESCRIPTION	Q'TY	REMARKS
1	44173-14J00	CUSHION,FUEL TANK COVER SIDE	1	
2	44211-10L00	COVER,FUEL TANK CAP	1	
3	44277-10L00	CUSHION,FUEL TANK FR COVER	2	
4	44290-10L10-QRE	COVER,FUEL TANK FRONT (ORANGE)	1	
5	68111-10L00	.EMBLEM,"SUZUKI"	2	
6	68281-10L00	.EMBLEM	1	
7	44292-10L00	CUSHION,FUEL TANK COVER RR	2	
8	44295-10L00	RUBBER,FUEL TANK COVER	1	
9	44512-04K00	SPACER,FUEL TANK FRONT	2	
10	44521-10L00	BRACKET,FUEL TANK FRONT	1	
11	44523-47H00	NUT (M6)	4	
12	44530-10L00	BRACKET,FUEL TANK FR	1	
13	44572-13G00	FASTENER (33X25X2.6)	2	
14	44572-44G00	FASTENER (20X15X2.6)	2	
15	47123-17K00	CUSHION (20X20X1)	2	
16	09106-05026	BOLT (5X12)	4	
17	09116-06171	BOLT (6X30)	2	
18	09139-05092	SCREW (5X13)	2	
19	09139-06181	SCREW (6X10)	4	
20	09148-05052	NUT (M5)	2	
21	09320-10050	CUSHION (10X22X13)	2	
22	09409-06314	CLIP (5.9X20.5)	2	
23	09409-08326	CLIP (10.5X14.3)	1	
24	01550-0625B	BOLT	3	

FIG.425A



VIEW A

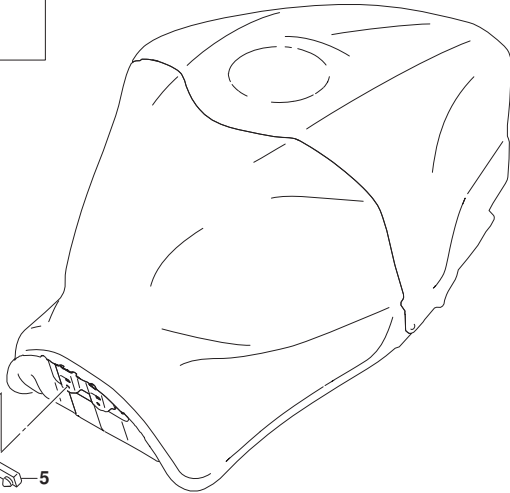
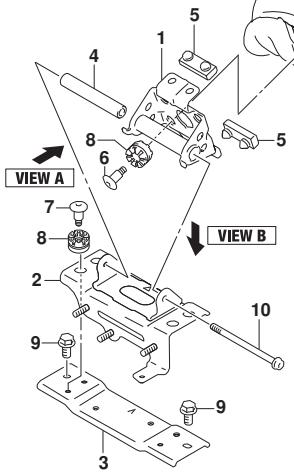


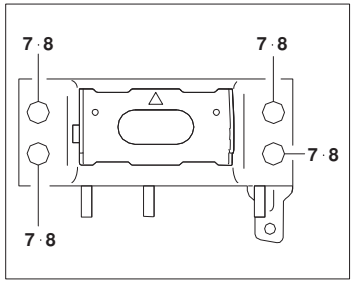
FIG.425A (1-E-7) FUEL TANK BRACKET

REF NO.	PART NO.	DESCRIPTION	Q'TY	REMARKS
1	44530-15H10	BRACKET,FUEL TANK NO.1	1	
2	44550-10L00	BRACKET,FUEL TANK RR NO.2	1	
3	44555-15H00	BRACKET,FUEL TANK RR NO.3	1	
4	44561-18G00	SPACER,FUEL TANK RR	1	
5	45149-44G01	CUSHION,REAR BRKT NO.2	2	
6	09139-06191	SCREW (6X22)	4	
7	09139-06191	SCREW (6X22)	4	
8	09320-08071	CUSHION (8X18X14)	8	
9	01550-0816A	BOLT (8X16)	2	
10	07120-0695A	BOLT	1	



VIEW A

VIEW B



VIEW B

FIG.427B

FIG.427B (1-E-8) EVAP SYSTEM

REF NO.	PART NO.	DESCRIPTION	Q'TY	REMARKS
1	18560-31J00	CANISTER ASSY,CHARCOAL	1	
2	18571-31J00	CUSHION,CANISTER	1	
3	18571-10L00	BRACKET,CANISTER NO.1	1	
4	18572-10L00	BRACKET,CANISTER NO.2	1	
5	01550-0616A	BOLT	2	
6	18561-10L10	HOSE,SURGE NO.1	1	
7	18562-10L00	HOSE,SURGE NO.2	1	
8	18563-10L00	HOSE,PURGE NO.1	1	
9	18564-10L00	HOSE,PURGE NO.2	1	
10	18114-74P00	VALVE,CANISTER PURGE	1	
11	08316-1006A	NUT (6X12)	1	
12	09401-11413	CLIP (ID:11,H:8)	7	
13	09367-06009	JOINT	1	
14	09401-10201-XC0	CLIP	1	

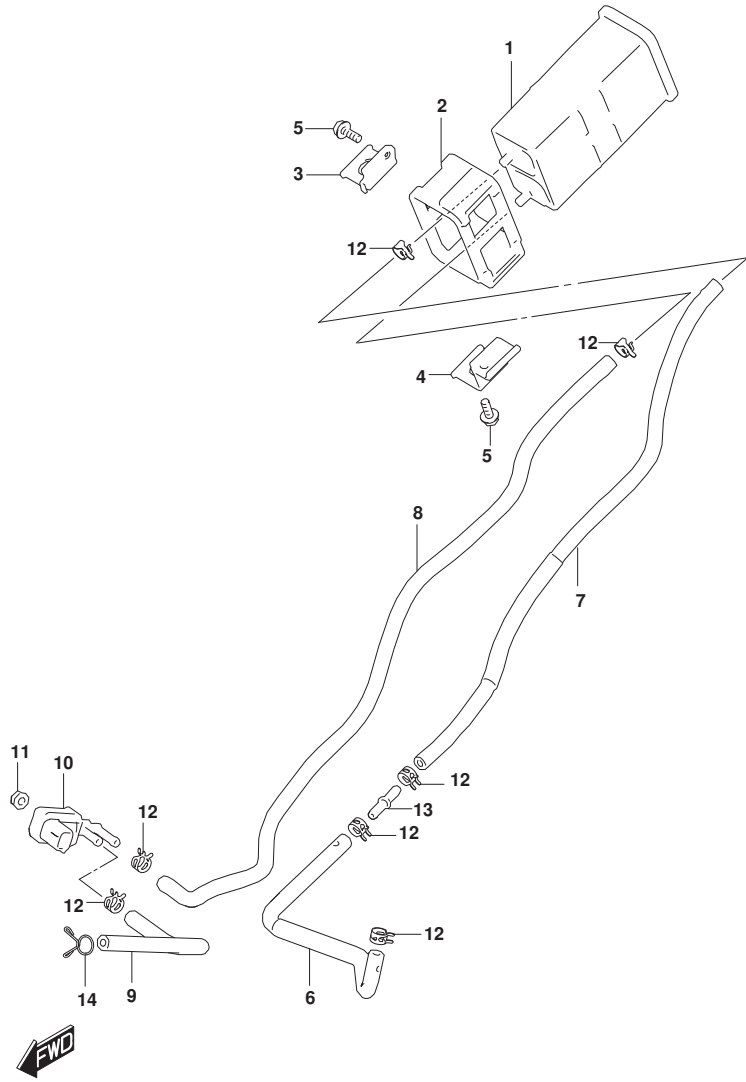


FIG.433A

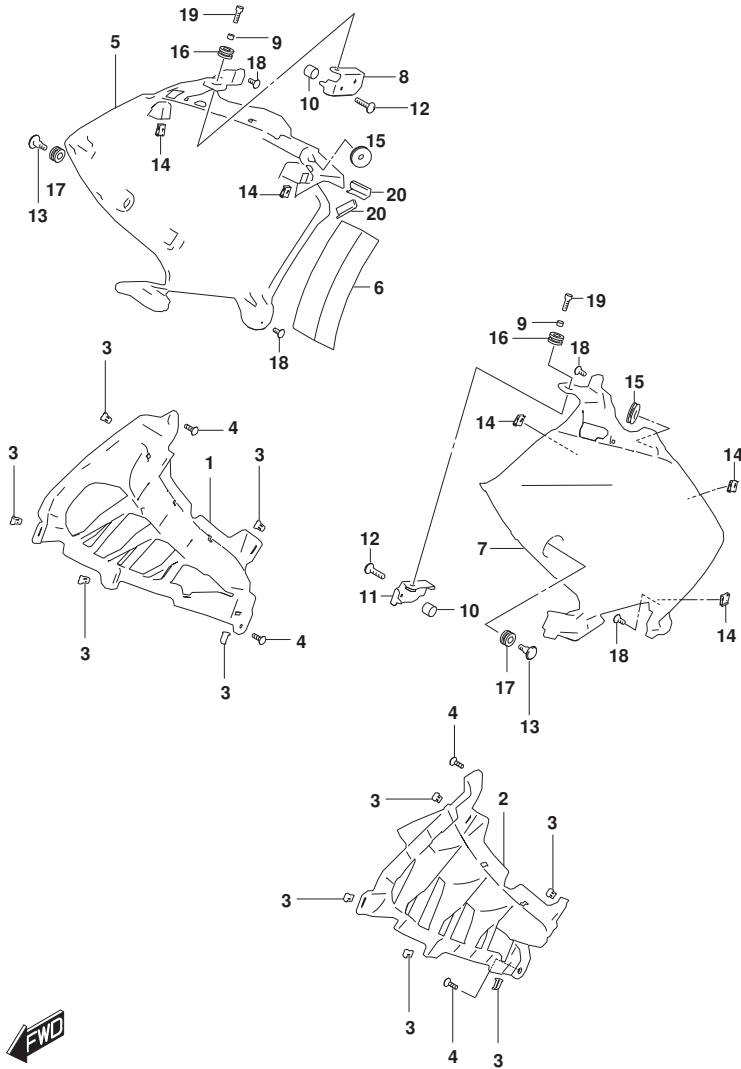


FIG.433A (1-E-9) SIDE COVER

REF NO.	PART NO.	DESCRIPTION	Q'TY	REMARKS
1	94474-10L00-YVB	COVER,SIDE FRONT,R (BLACK)	1	
2	94484-10L00-YVB	COVER,SIDE FRONT,L (BLACK)	1	
3	09409-08012	CLIP	10	
4	03541-0516B	SCREW	4	
5	94475-10L00-YVB	COVER,SIDE,R (BLACK)	1	
6	94479-10L00	CUSHION,SIDE COVER	1	
7	94485-10L00-YVB	COVER,SIDE,L (BLACK)	1	
8	94570-10L00	BRACKET,SIDE COVER RH	1	
9	94572-10L00	SPACER,SIDE COVER	2	
10	09180-06120	SPACER (6.5X11.5X12)	2	
11	94580-10L00	BRACKET,SIDE COVER LH	1	
12	09139-06196	BOLT (6X25)	2	
13	09139-06206	SCREW (6X20)	2	
14	09148-05038	NUT (M5)	5	
15	09320-08028	CUSHION (8X26X7)	2	
16	09320-09016	CUSHION (9X18X9.5)	2	
17	09320-09016	CUSHION (9X18X9.5)	2	
18	03541-0512A	SCREW	4	
19	07130-0516A	BOLT	2	
20	94489-10L10	MOLDING,SIDE COVER RR NO.2	2	

FIG.434A

FIG.434A (1-E-10) SIDE REAR COVER

REF NO.	PART NO.	DESCRIPTION	Q'TY	REMARKS
1	44572-02F01	FASTENER (25X33X2.6)	4	
2	94476-10L00	COVER,SIDE REAR,R	1	
3	94479-10L10	CUSHION,SIDE COVER NO.1	2	
4	94479-10L20	CUSHION,SIDE COVER NO.2	2	
5	94486-10L00	COVER,SIDE REAR,L	1	
6	94489-10L00	MOLDING,SIDE COVER RR NO.1	2	
7	94489-10L20	MOLDING,SIDE COVER RR NO.3	1	
8	94489-10L30	MOLDING,SIDE COVER RR NO.4	1	
9	09148-05038	NUT (M5)	2	
10	09148-05052	NUT (M5)	2	
11	03541-0512A	SCREW	6	
12	94633-31J00	CUSHION (16X30X3.5)	2	

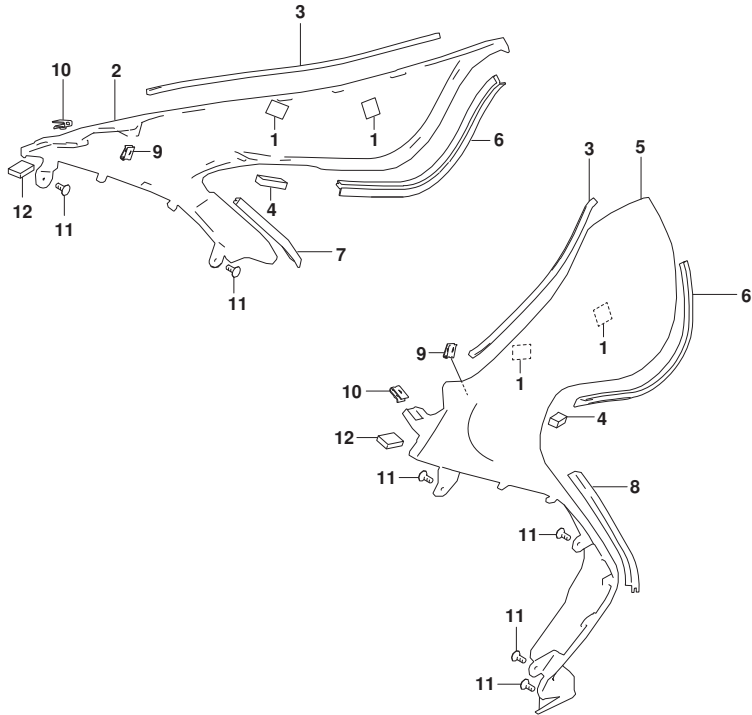


FIG.443A

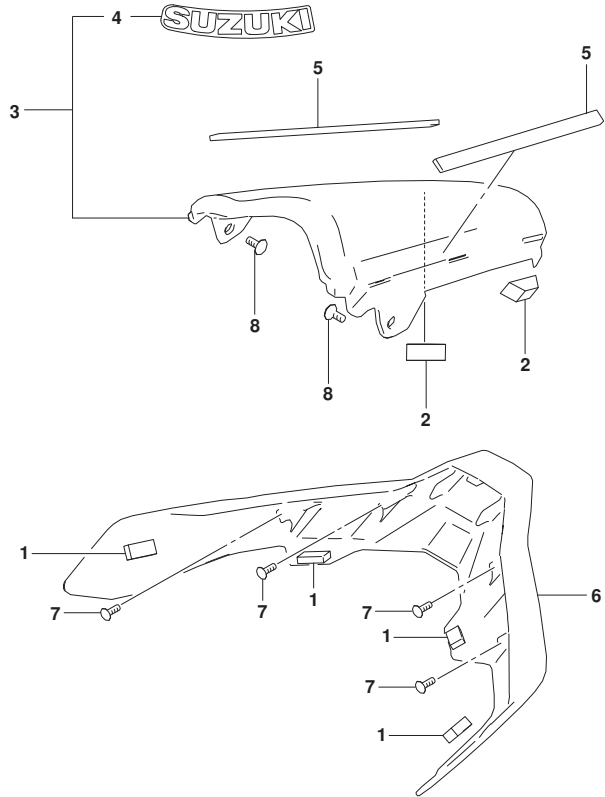


FIG.443A (1-E-11) FRAME CENTER COVER

REF NO.	PART NO.	DESCRIPTION	Q'TY	REMARKS
1	47113-10L00	CUSHION,FRAME COVER UNDER	4	
2	47114-10L00	CUSHION,FRAME COVER CTR	2	
3	47310-10L00-6UX	COVER,FRAME CTR (BLACK)	1	
4	68641-19F01-YES	.EMBLEM,"SUZUKI" (SILVER)	1	
5	47324-10L00	CUSHION,FRAME COVER CTR	2	
6	47511-10L00-QRE	COVER,FRAME UNDER (ORANGE)	1	
7	03541-0412A	SCREW	4	
8	03541-0512A	SCREW	2	



FIG.445A

FIG.445A (1-E-12) FRAME COVER

REF NO.	PART NO.	DESCRIPTION	Q'TY	REMARKS
1	33652-22D00	CUSHION (11X20X3)	2	
2	33652-34000	PROTECTOR (30X80X2)	1	
3	47111-10L00-QRE	COVER,FRAME,R (ORANGE)	1	
4	47112-10L00	CUSHION,FRAME COVER NO.2	2	
5	47115-16G01	CUSHION,FRAME COVER UP	2	
6	47190-24F21	WASHER,FRAME COVER	2	
7	47191-24F00	CUSHION (16X26X8)	2	
8	47191-24F20	CUSHION,FRAME COVER CTR	2	
9	47191-24F30	CUSHION,FRAME COVER UP RR RR	2	
10	47211-10L00-QRE	COVER,FRAME,L (ORANGE)	1	
11	47320-10L10-YVB	COVER,FRAME REAR,R (BLACK)	1	
12	68131-10L00-B9E	.EMBLEM,FRAME COVER,R (ORANGE, BLACK)	1	
13	68135-10L00-AV4	.TAPE,FRAME COVER,R (BLACK,RED)	1	
14	47323-10L00	BOLT,FRAME COVER REAR	2	
15	47330-10L10-YVB	COVER,FRAME REAR,L (BLACK)	1	
16	68141-10L00-B9E	.EMBLEM,FRAME COVER,L (ORANGE, BLACK)	1	
17	68145-10L00-AV4	.TAPE,FRAME COVER,L (BLACK,RED)	1	
18	47411-10L00	LID,FRAME COVER	1	
19	94443-06G00	TAPE (6X25X0.13)	4	
20	94478-14J00	CUSHION	2	
21	09136-06126	SCREW (6X25)	2	
22	09180-06288	SPACER (6.5X10X11)	2	
23	09409-06314	CLIP (5.9X20.5)	8	
24	03541-0512A	SCREW	6	

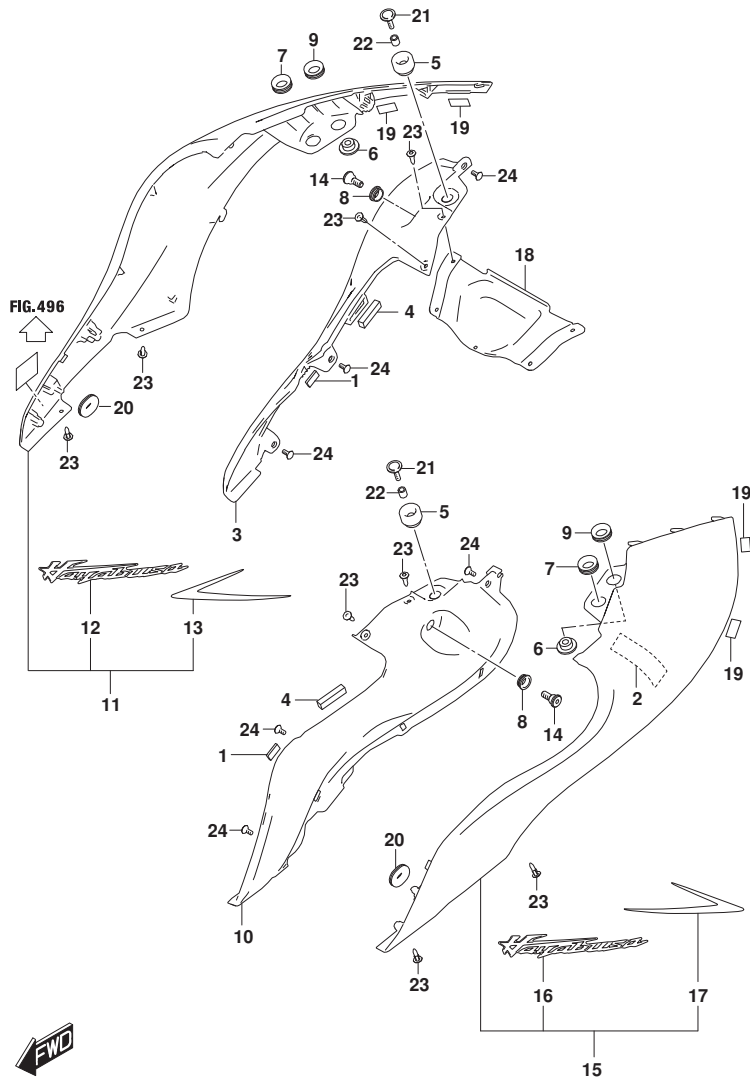


FIG.453A

FIG.453A (1-E-13) METER PANEL

REF NO.	PART NO.	DESCRIPTION	Q'TY	REMARKS
1	94640-10L00	PANEL,METER	1	
2	51833-48GB0	.CUSHION,HEADLAMP COVER	2	
3	73415-70A00	PAD (8X20X2)	3	
4	94633-31J00	CUSHION (16X30X3.5)	1	
5	09409-06314	CLIP (5.9X20.5)	2	
6	09409-06328	CLIP	2	
7	03541-0516A	SCREW	2	
8	73415-70A00	PAD (8X20X2)	1	
9	92146-14J00	CUSHION,BODY COWL (20X40X7)	1	
10	94443-06G00	TAPE (6X25X0.13)	4	
11	94631-10L00-QRE	PANEL,METER,R (ORANGE)	1	
12	94633-31J00	CUSHION (16X30X3.5)	1	
13	09139-05091	SCREW (5X13)	1	
14	09409-06314	CLIP (5.9X20.5)	2	
15	09409-08326	CLIP (10.5X14.3)	2	
16	73415-70A00	PAD (8X20X2)	1	
17	92146-14J00	CUSHION,BODY COWL (20X40X7)	1	
18	94443-06G00	TAPE (6X25X0.13)	4	
19	94632-10L00-QRE	PANEL,METER,L (ORANGE)	1	
20	94633-31J00	CUSHION (16X30X3.5)	1	
21	09139-05091	SCREW (5X13)	1	
22	09409-06314	CLIP (5.9X20.5)	2	
23	09409-08326	CLIP (10.5X14.3)	2	

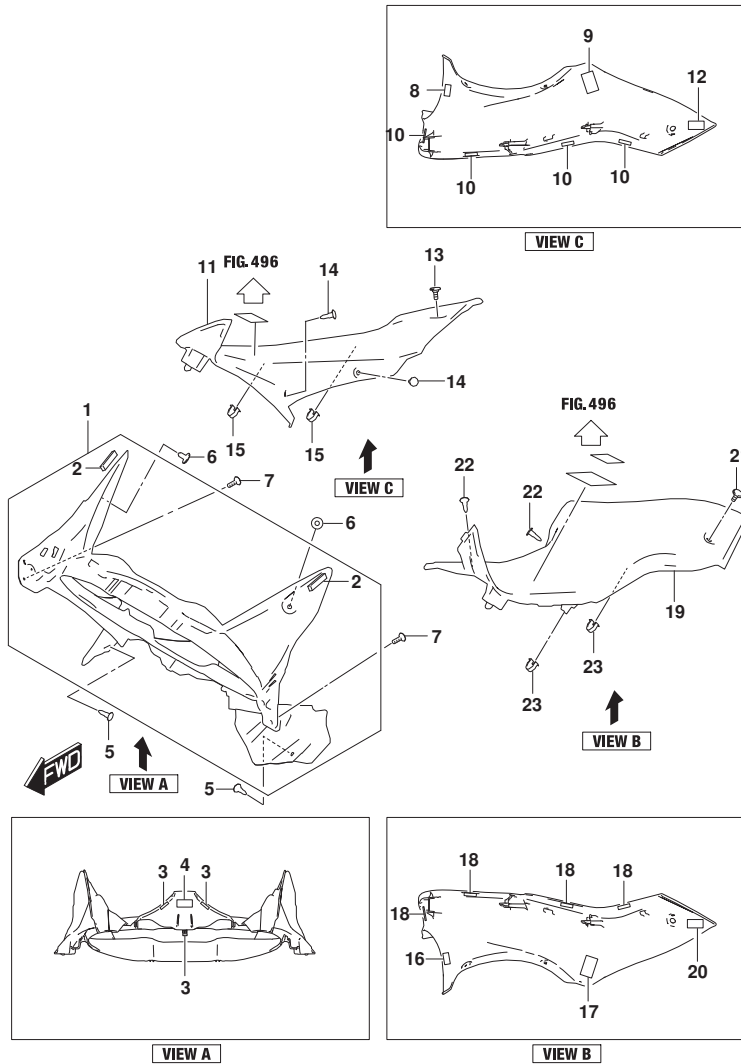
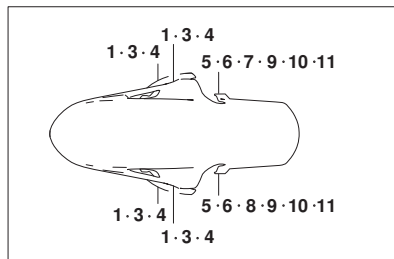
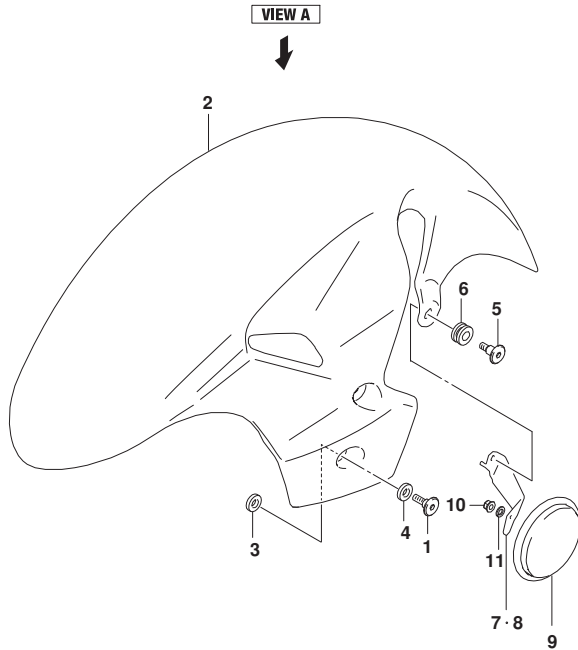


FIG.460C



VIEW A

FIG.460C (1-E-14) FRONT FENDER

REF NO.	PART NO.	DESCRIPTION	Q'TY	REMARKS
1	45241-17K00	BOLT,SEAT (6X20)	4	
2	53111-10L00-YVB	FENDER,FRONT (BLACK)	1	
3	53121-28K00	TAPE,FR FENDER (11X20X0.3)	4	
4	53121-33E00	WASHER (8.5X16X3.4)	4	
5	09139-06236	SCREW (6X20)	2	
6	09320-09016	CUSHION (9X18X9.5)	2	
7	47451-10L00	BRACKET,FRONT SIDE RR,R	1	
8	47455-10L00	BRACKET,FRONT SIDE RR,L	1	
9	35950-13K01	REFLEX REFLECTOR ASSY,FR SIDE	2	
10	08319-3105B	NUT	2	
11	08321-0105B	WASHER,LOCK	2	



FIG.462A

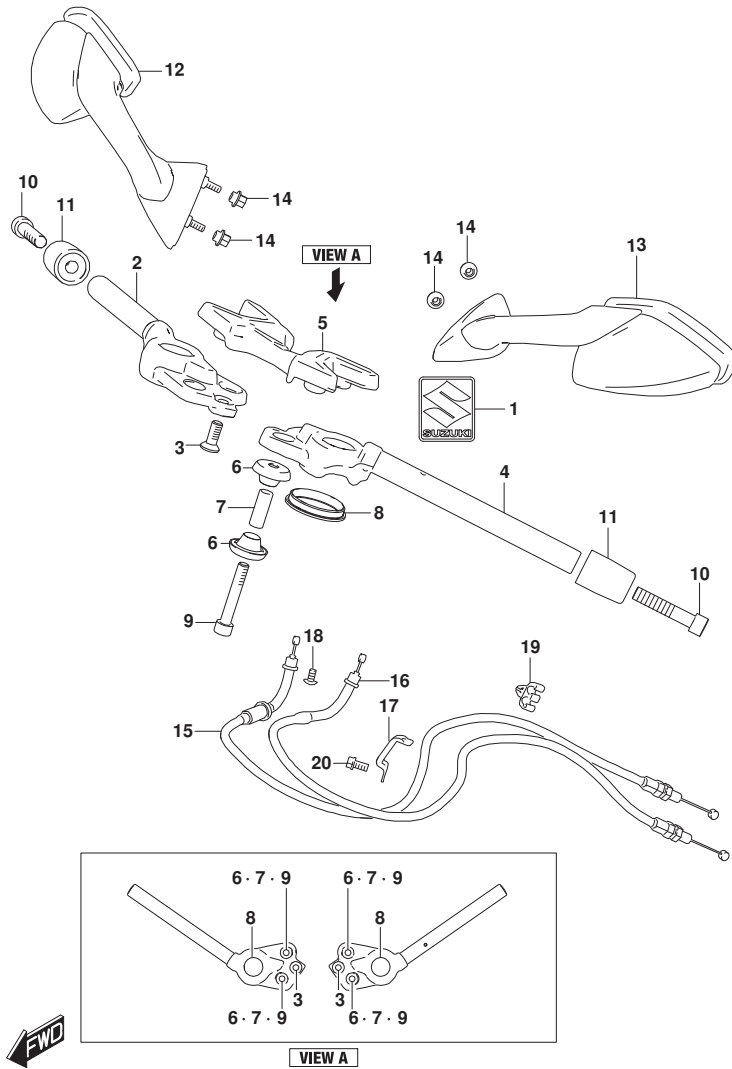


FIG.462A (1-E-15) HANDLEBAR

REF NO.	PART NO.	DESCRIPTION	Q'TY	REMARKS
1	68281-47HA0	EMBLEM,S	1	
2	56111-10L01	HANDLEBAR,R	1	
3	56123-10L00	BOLT,HANDLEBAR	2	
4	56151-10L01	HANDLEBAR,L	1	
5	56211-10L00	HOLDER,HANDLEBAR	1	
6	56240-01D01	CUSHION,UPR BRKT	8	
7	56243-01D00	SPACER,STEERING STEM HEAD	4	
8	56247-24F00	CUSHION,HANDLE HOLDER	2	
9	56249-10L00	BOLT,HANDLE HOLDER	4	
10	56277-10L00	BOLT,HANDLE BALANCER	2	
11	56278-10L00	BALANCER,HANDLEBAR	2	
12	56500-10L00	MIRROR ASSY,REAR VIEW,R	1	
13	56600-10L00	MIRROR ASSY,REAR VIEW,L	1	
14	56619-41G01	NUT,RR VIEW MIRROR	4	
15	58300-10L00	CABLE ASSY,THROTTLE NO.1	1	
16	58300-10L10	CABLE ASSY,THROTTLE NO.2	1	
17	58623-24F10	GUIDE,CABLE	1	
18	09125-05042	SCREW (5X10)	1	
19	09403-07344	CLAMP	1	
20	01547-0612A	BOLT	1	

FIG.467A

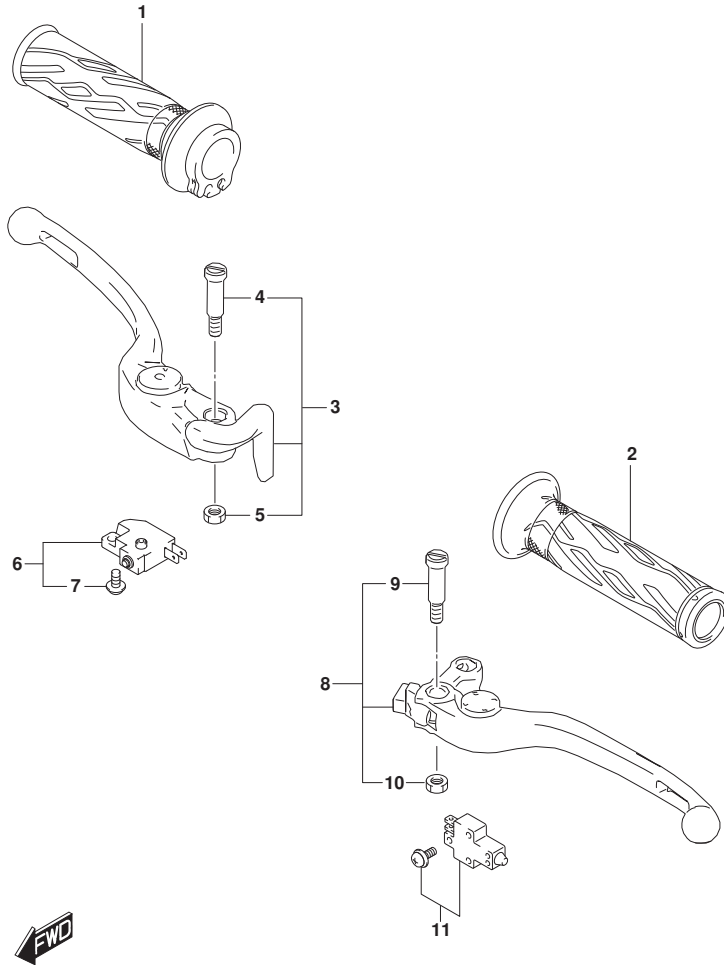


FIG.467A (1-E-16) HANDLE LEVER

REF NO.	PART NO.	DESCRIPTION	Q'TY	REMARKS
1	57110-21H02	GRIP,THROTTLE	1	
2	57211-21H01	GRIP,L	1	
3	57300-10L00	LEVER ASSY,BRAKE	1	
4	57431-29G00	.BOLT,LEVER PIVOT	1	
5	08319-2106A	.NUT	1	
6	57460-14J02	SWITCH ASSY,FR BRAKE	1	
7	57465-17C00	.SCREW,WITH WASHER (4X12)	1	
8	57500-10L00	LEVER ASSY,CLUTCH	1	
9	57431-10L00	.BOLT,LEVER PIVOT	1	
10	08319-2106A	.NUT	1	
11	57560-02FA0	SWITCH ASSY,CLUTCH	1	

FIG.474A

FIG.474A (1-F-2) REAR FENDER

REF NO.	PART NO.	DESCRIPTION	Q'TY	REMARKS
1	47871-10L00	SHIELD,INNER	1	
2	63111-10L01	FENDER,REAR FRONT	1	
3	63112-10L00	FENDER,REAR REAR	1	
4	63113-10L00	CUSHION,REAR FENDER	2	
5	63114-10L00	CUSHION,REAR FENDER FRONT	1	
6	63120-10L00	BRACKET,REAR FENDER	1	
7	63130-10L00	BRACE,REAR FENDER FRONT	1	
8	63411-10L00	MUDGUARD,RR FENDER FR UPR	1	
9	92215-39H00	CUSHION (20X50X3)	2	
10	94479-35F00	CLIP	2	
11	94675-07L00	CUSHION (6X25X1)	4	
12	09111-06072	BOLT (6X17.8)	4	
13	09111-06242	BOLT (6X16.5)	2	
14	09139-06220	SCREW (6X13)	2	
15	09250-06017	PLUG (OD:10)	1	
16	01550-0616A	BOLT	4	
17	96514-10L00	SPANNER,HEXAGON (6)	1	
18	96514-17K00	SPANNER,HEXAGON (5)	1	
19	96514-17K10	SPANNER,HEXAGON (4)	1	
20	09814-00015	DRIVER	1	
21	09814-00016	GRIP,DRIVER	1	

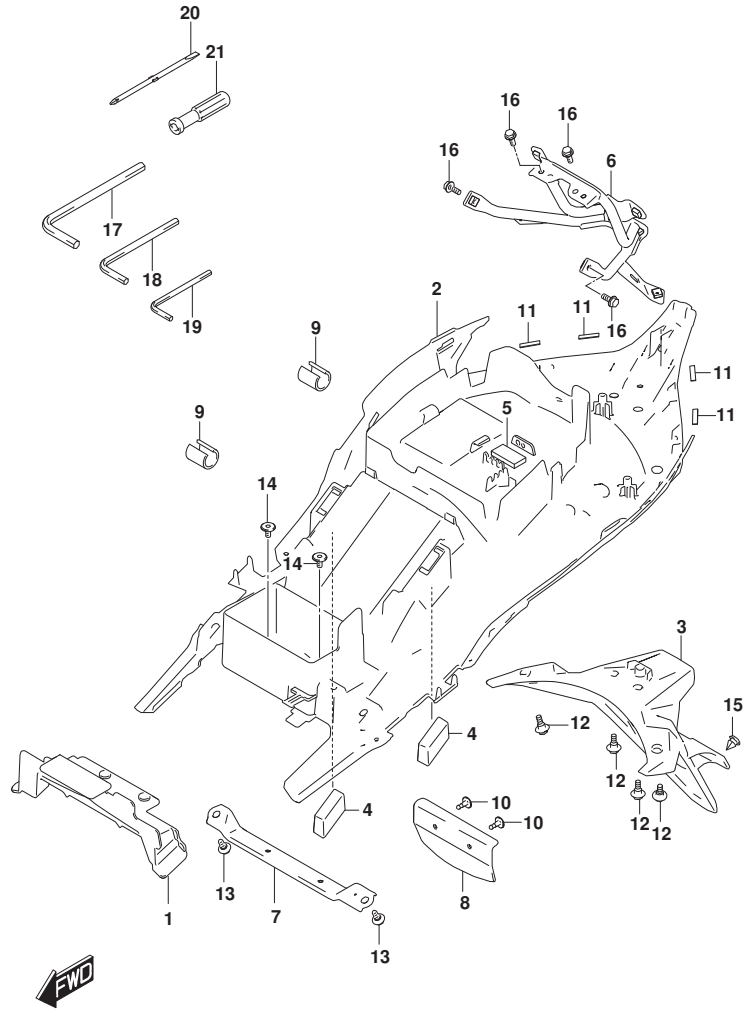


FIG.480A

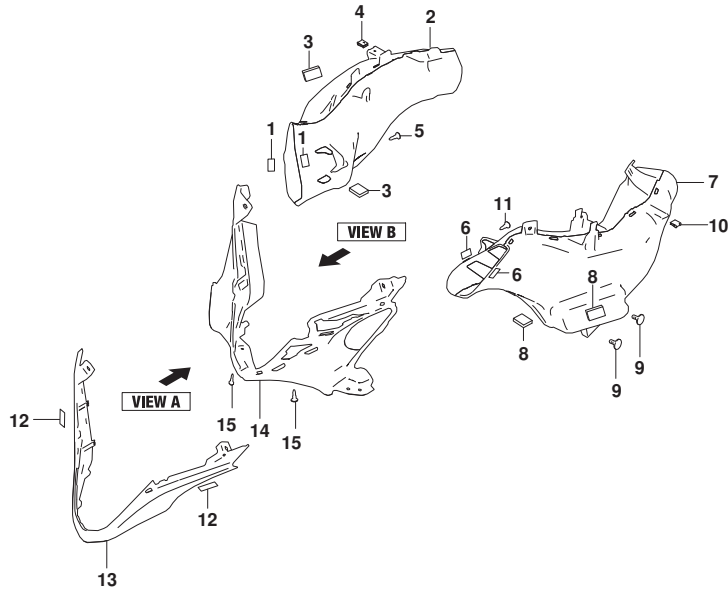


FIG.480A (1-F-3) AIR INTAKE PIPE

REF NO.	PART NO.	DESCRIPTION	Q'TY	REMARKS
1	73415-70A00	PAD (8X20X2)	2	
2	94420-10L00	PIPE,AIR INTAKE,R	1	
3	94633-31J00	CUSHION (16X30X3.5)	2	
4	09148-05047	NUT (M5)	1	
5	09409-06314	CLIP (5.9X20.5)	1	
6	73415-70A00	PAD (8X20X2)	2	
7	94430-10L00	PIPE,AIR INTAKE,L	1	
8	94633-31J00	CUSHION (16X30X3.5)	2	
9	09139-06158	SCREW (6X16)	2	
10	09148-05047	NUT (M5)	1	
11	09409-06314	CLIP (5.9X20.5)	1	
12	94644-31F00	CUSHION,INTAKE COVER	12	
13	94671-10L00-YVB	COVER,INTAKE CTR (BLACK)	1	
14	94681-10L00	COVER,INTAKE REAR	1	
15	09409-06314	CLIP (5.9X20.5)	2	

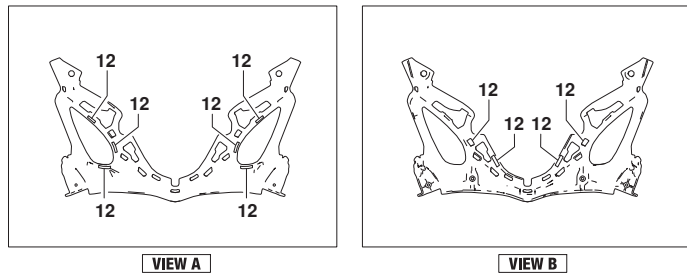


FIG.481A

FIG.481A (1-F-4) COWLING BODY

REF NO.	PART NO.	DESCRIPTION	Q'TY	REMARKS
1	44572-37H00	FASTENER,COWLING (20X15X0.8)	1	
2	73415-70A00	PAD (8X20X2)	4	
3	94410-10L10-QRE	COWLING,BODY (ORANGE)	1	
4	68281-24F11-019	EMBLEM,"SUZUKI" (BLACK)	1	
5	94412-10L00-QRE	COWLING,BODY,R (ORANGE)	1	
6	94413-10L00-QRE	COWLING,BODY,L (ORANGE)	1	
7	94414-10L00	PANEL,METER FRONT	1	
8	94443-06G00	TAPE (6X25X0.13)	6	
9	03541-0516A	SCREW	2	
10	03541-0516A	SCREW	2	
11	73415-70A00	PAD (8X20X2)	2	
12	94419-10L00	COVER,BODY COWL	1	
13	09409-06314	CLIP (5.9X20.5)	6	
14	47123-17K00	CUSHION (20X20X1)	1	
15	94611-10L00	WINDSCREEN	1	
16	09139-05104	SCREW,WINDSCREEN	2	
17	94458-15H10	COVER,LWR BRACKET	1	
18	09111-06107	BOLT (6X12)	2	
19	45518-16G00	CUSHION,SEAT TAIL COVER CTR	1	
20	73415-70A00	PAD (8X20X2)	2	
21	94461-10L00	COWLING,UNDER INNER,R	1	
22	94462-10L00	COWLING,UNDER INNER,L	1	
23	09409-06314	CLIP (5.9X20.5)	4	
24	94576-10L00	CUSHION,BRACE COWLING	2	
25	09161-05010	WASHER,5.2X11X1 (5.2X11.0X1.0)	2	

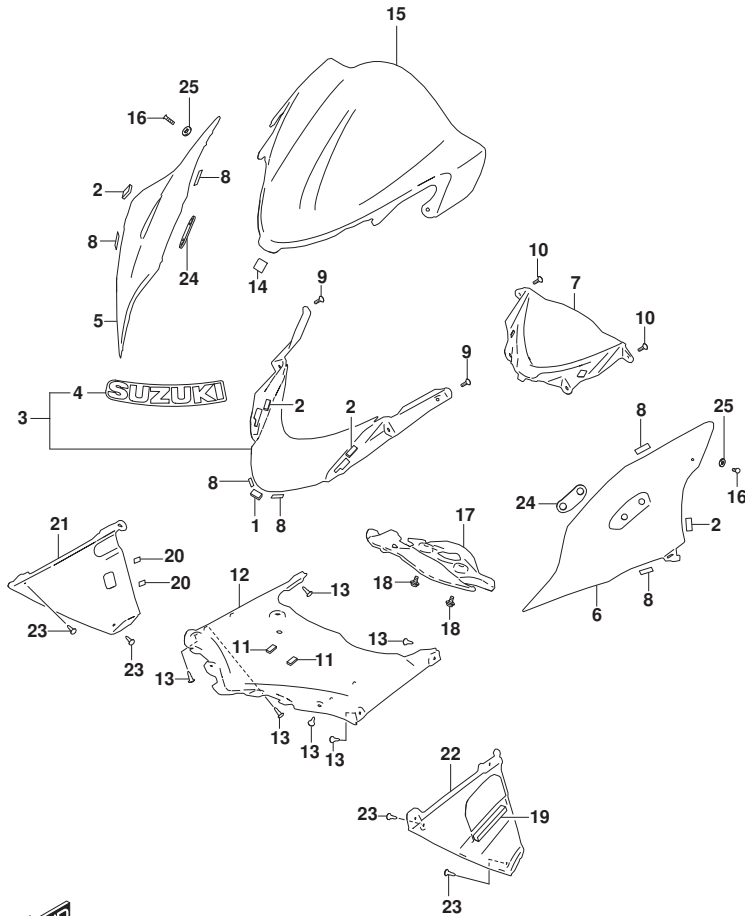


FIG.482A

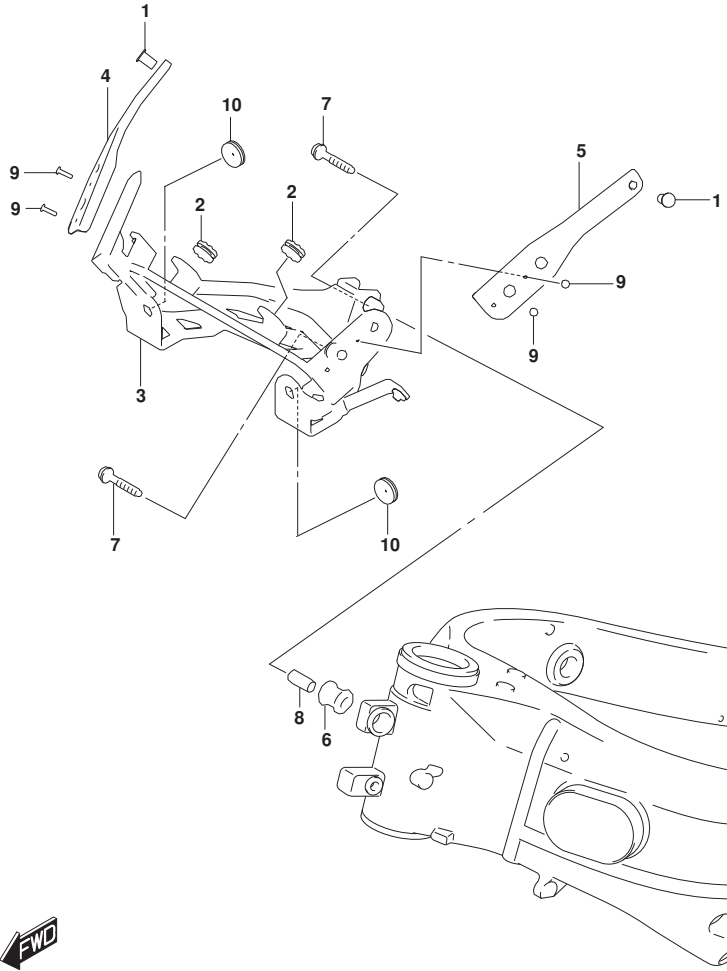


FIG.482A (1-F-5) COWLING INSTALLATION PARTS

REF NO.	PART NO.	DESCRIPTION	Q'TY	REMARKS
1	09159-05019	NUT (M5)	2	
2	34955-10L00	CUSHION,SPEEDOMETER	2	
3	94510-10L00	BRACE,COWLING	1	
4	94531-10L00	BRACE,WINDSCREEN,R	1	
5	94532-10L00	BRACE,WINDSCREEN,L	1	
6	94541-41C00	CUSHION,COWLING BRACE	1	
7	09103-08572	BOLT (8X45)	2	
8	09180-08166	SPACER (8.8X12X26.5)	1	
9	09229-04020	RIVET	4	
10	09320-08028	CUSHION (8X26X7)	2	



FIG.483A

FIG.483A (1-F-6) UNDER COWLING

REF NO.	PART NO.	DESCRIPTION	Q'TY	REMARKS
1	09159-06086	NUT (M6)	2	
2	03541-0512A	SCREW	2	
3	94473-10L00-YVB	COWLING,UNDER,R (BLACK)	1	
4	94483-10L00-YVB	COWLING,UNDER,L (BLACK)	1	
5	94541-10L00	BRACKET,UNDER COWL	2	
6	09139-06206	SCREW (6X20)	2	
7	09148-05038	NUT (M5)	2	
8	09320-08028	CUSHION (8X26X7)	2	
9	09320-09016	CUSHION (9X18X9.5)	2	
10	09409-08326	CLIP (10.5X14.3)	2	
11	01550-0616A	BOLT	2	
12	73415-70A00	PAD (8X20X2)	2	
13	94479-35F00	CLIP	4	
14	94491-10L00	COWLING,UNDER CTR	1	

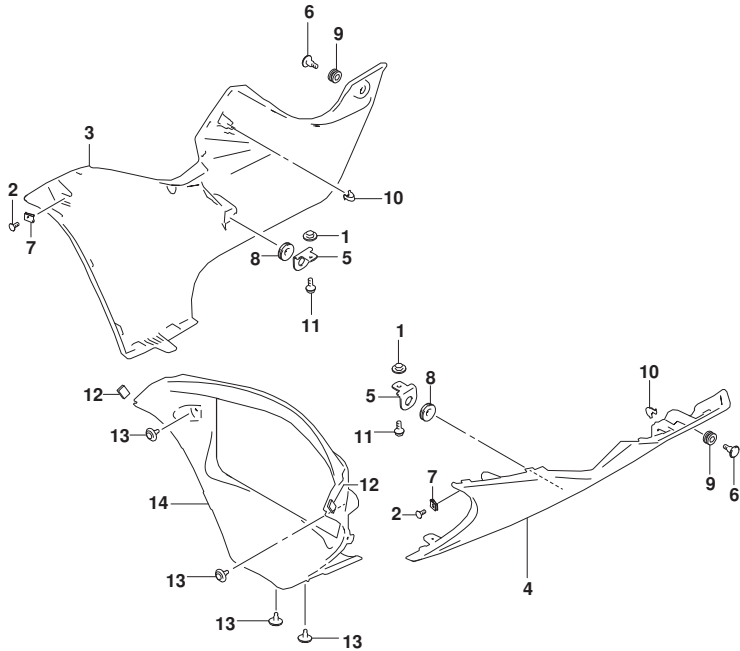
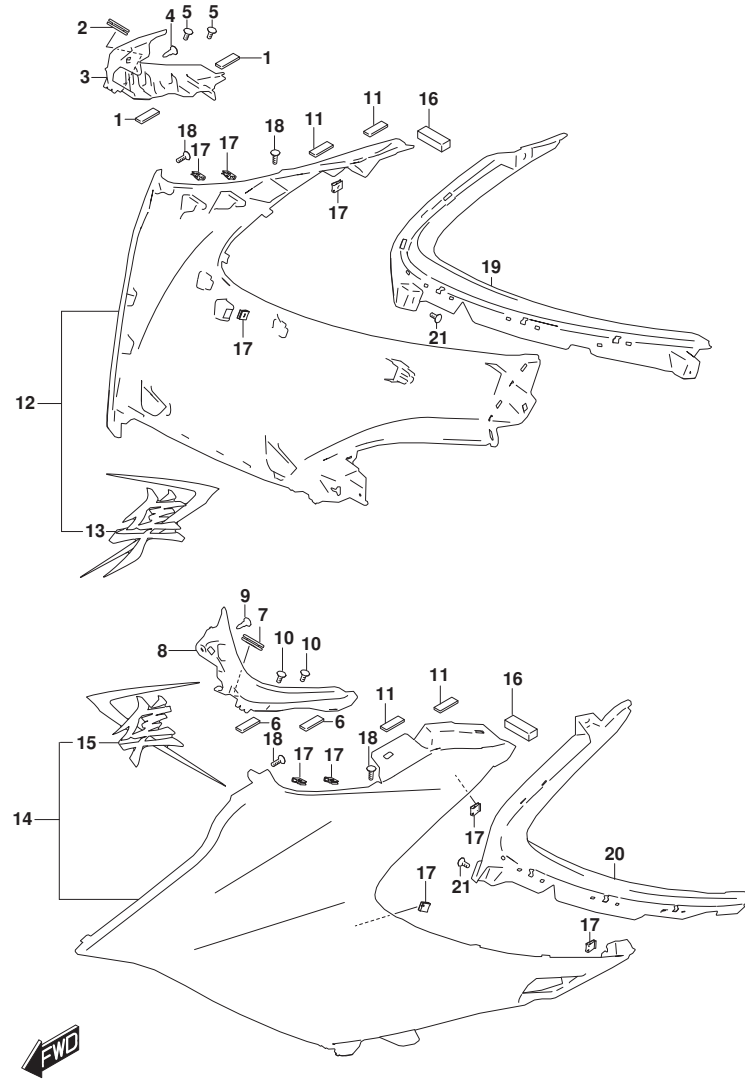


FIG.485A



GSX1300RRQM4_E01_485A
SIDE COWLING

FIG.485A (1-F-7) SIDE COWLING

REF NO.	PART NO.	DESCRIPTION	Q'TY	REMARKS
1	73415-70A00	PAD (8X20X2)	2	
2	94478-14J00	CUSHION	1	
3	94642-10L00	PANEL,METER FR RH	1	
4	09409-06314	CLIP (5.9X20.5)	1	
5	03541-0512A	SCREW	2	
6	73415-70A00	PAD (8X20X2)	2	
7	94478-14J00	CUSHION	1	
8	94643-10L00	PANEL,METER FR LH	1	
9	09409-06314	CLIP (5.9X20.5)	1	
10	03541-0512A	SCREW	2	
11	73415-70A00	PAD (8X20X2)	4	
12	94470-10L10-QRE	COWLING,SIDE FRONT,R (ORANGE)	1	
13	68185-10L00-CSD	.TAPE,COWLING SIDE,R	1	
14	94480-10L10-QRE	COWLING,SIDE FRONT,L (ORANGE)	1	
15	68195-10L00-CSD	.TAPE,COWLING SIDE,L	1	
16	44277-18K00	CUSHION,TANK COVER FR (10X30X8)	2	
17	09148-05038	NUT (M5)	9	
18	03541-0516A	SCREW	4	
19	94472-10L10	COWLING,SIDE REAR,R	1	
20	94482-10L10	COWLING,SIDE REAR,L	1	
21	03541-0512A	SCREW	2	

GSX1300RRQM4_E01

FIG.496E

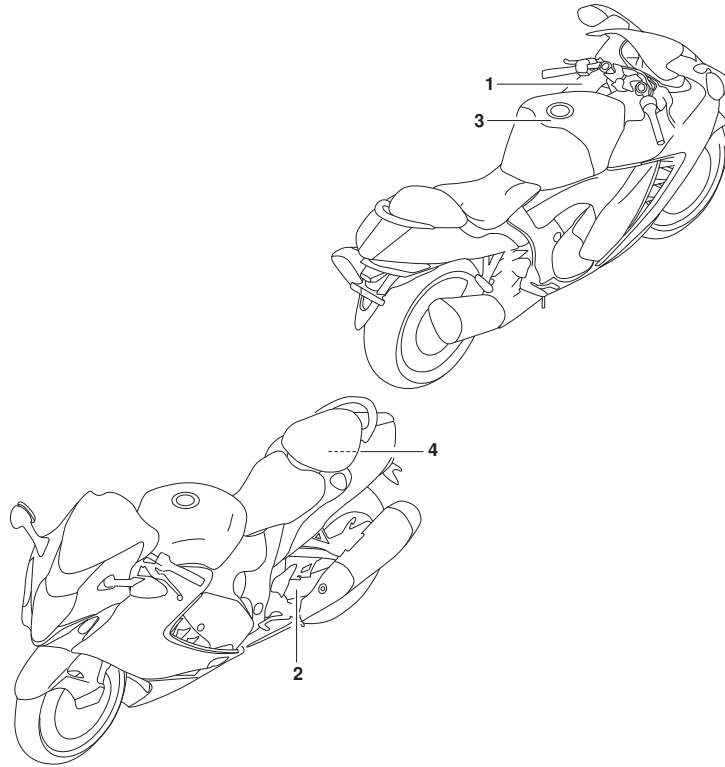


FIG.496E (1-F-8) LABEL

REF NO.	PART NO.	DESCRIPTION	Q'TY	REMARKS
1-1	68319-06L00	LABEL,GENERAL WARNING	1	ENGLISH
1-2	68319-06L20	LABEL,GENERAL WARNING	1	GERMAN
1-3	68319-06L30	LABEL,GENERAL WARNING	1	FRENCH
1-4	68319-06L40	LABEL,GENERAL WARNING	1	ITALIAN
1-5	68319-06L50	LABEL,GENERAL WARNING	1	SPANISH
1-6	68319-06L70	LABEL,GENERAL WARNING	1	DUTCH
1-7	68319-06L80	LABEL,GENERAL WARNING	1	PORTUGUESE
2	68332-10L00	LABEL,TIRE INFORMATION	1	
3	11959-10L00	LABEL,GASOLINE	1	
4-1	99011-10L20-01A	MANUAL,OWNER'S	1	ENGLISH
4-2	99011-10L20-01E	MANUAL,OWNER'S	1	ITALIAN
4-3	99011-10L20-01F	MANUAL,OWNER'S	1	FRENCH
4-4	99011-10L20-01H	MANUAL,OWNER'S	1	DUTCH
4-5	99011-10L20-01K	MANUAL,OWNER'S	1	GERMAN
4-6	99011-10L20-029	MANUAL,OWNER'S	1	SPANISH

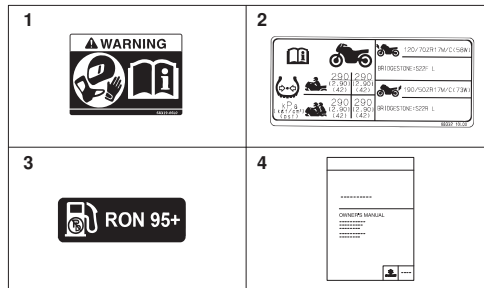
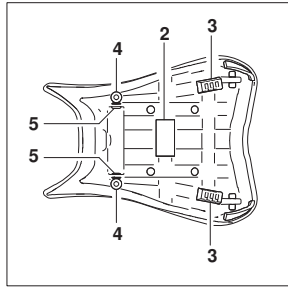


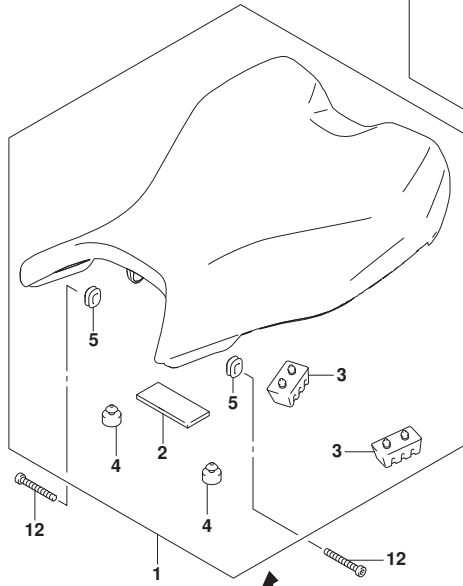
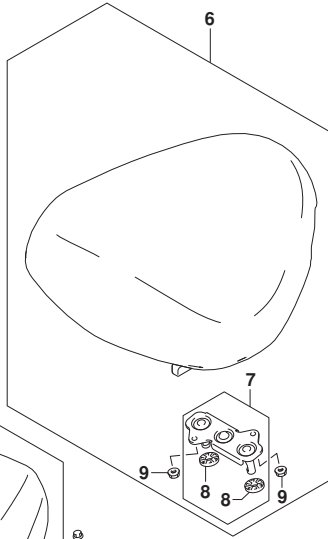
FIG.505A

FIG.505A (1-F-9) SEAT

REF NO.	PART NO.	DESCRIPTION	Q'TY	REMARKS
1	45100-10L01-QUZ	SEAT ASSY (BLACK)	1	
2	45117-15H01	.CUSHION	1	
3	45149-45330	.CUSHION,SUPPORT (50X25X32)	2	
4	09321-10011	.CUSHION	2	
5	45118-15H00	.CUSHION	2	
6	45300-10L02-QUZ	SEAT ASSY,PILLION (BLACK)	1	
7	45290-10L00	.STRIKER,SEAT LOCK	1	
8	45213-42F00	..CUSHION	2	
9	08316-1006A	.NUT (6X12)	2	
10	45220-15H00	BRACKET,STRIKER SUPPORT	1	
11	01547-0630A	BOLT	2	
12	45191-15H00	BOLT,SEAT FR	2	
13	95700-14810	LOCK SET,SEAT	1	
14	45289-11F00	PLATE,SEAT LOCK ASSY	1	
15	45280-26F00	CABLE,SEAT LOCK	1	
16	45288-14F00	GUIDE,SEAT LOCK CABLE	1	



VIEW A



VIEW A



FIG.507A

FIG.507A (1-F-10) SEAT TAIL BOX

REF NO.	PART NO.	DESCRIPTION	Q'TY	REMARKS
1	45500-10L00-B9E	COVER SET,SEAT TAIL (ORANGE,BL ACK)	1	
2	47190-24F01	.WASHER,FRAME COVER	2	
3	09106-08206	.BOLT,FRAME COVER UPPER	4	

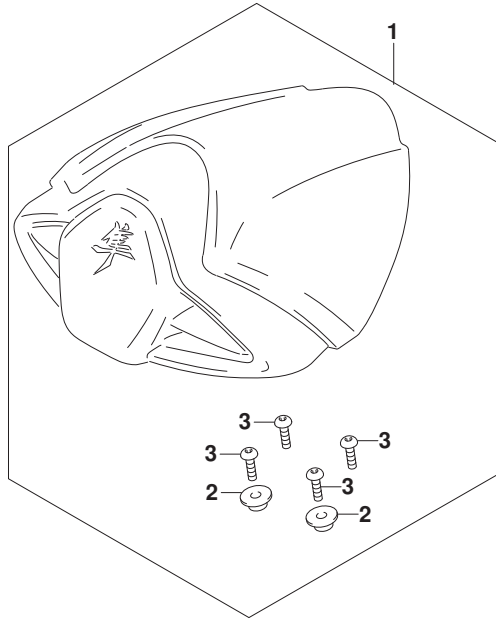


FIG.521A

FIG.521A (1-F-11) FRONT FORK DAMPER

REF NO.	PART NO.	DESCRIPTION	Q'TY	REMARKS
1	51103-10L00	DAMPER ASSY,R	1	
2	51110-10L00	.TUBE,INNER RH	1	
3	51351-10L00	.CAP	1	
4	62278-14100	.O RING	1	
5	51131-10L00	.TUBE,OUTER	1	
6	51158-40F30	.WASHER	1	
7	51176-40F30	.SPACER,SPRING	1	
8	51171-10L00	.SPRING	1	
9	51352-13A60	.NUT,ROD	1	
10	51146-10L00	.CYLINDER	1	
11	51112-31J00	.PISTON	1	
12	51152-31J00	.METAL,SLIDE	1	
13	51158-14200	.WASHER	1	
14	51153-41G00	.SEAL,OIL	1	
15	51156-14200	.RING,STOPPER	1	
16	51173-41G00	.SEAL,DUST	1	
17	51148-41310	.GASKET	1	
18	51147-24F50	.BOLT	1	
19	51104-10L00	DAMPER ASSY,L	1	
20	51120-10L00	.TUBE,INNER LH	1	
21	51351-10L00	.CAP	1	
22	62278-14100	.O RING	1	
23	51131-10L00	.TUBE,OUTER	1	
24	51158-40F30	.WASHER	1	
25	51176-40F30	.SPACER,SPRING	1	
26	51171-10L00	.SPRING	1	
27	51352-13A60	.NUT,ROD	1	
28	51146-10L00	.CYLINDER	1	
29	51112-31J00	.PISTON	1	
30	51152-31J00	.METAL,SLIDE	1	
31	51158-14200	.WASHER	1	
32	51153-41G00	.SEAL,OIL	1	
33	51156-14200	.RING,STOPPER	1	
34	51173-41G00	.SEAL,DUST	1	
35	51148-41310	.GASKET	1	

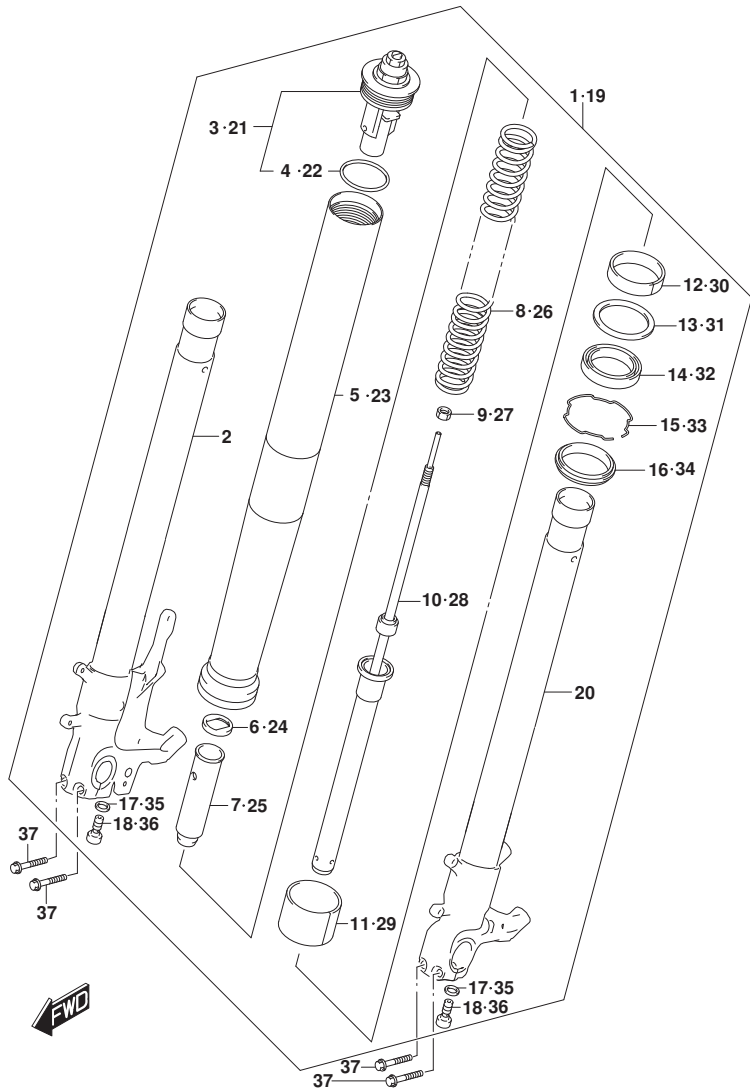


FIG.521A

FIG.521A (1-F-12) FRONT FORK DAMPER

REF NO.	PART NO.	DESCRIPTION	Q'TY	REMARKS
36	51147-24F50	.BOLT	1	
37	51434-40H20	BOLT,AXLE STOPPER	4	

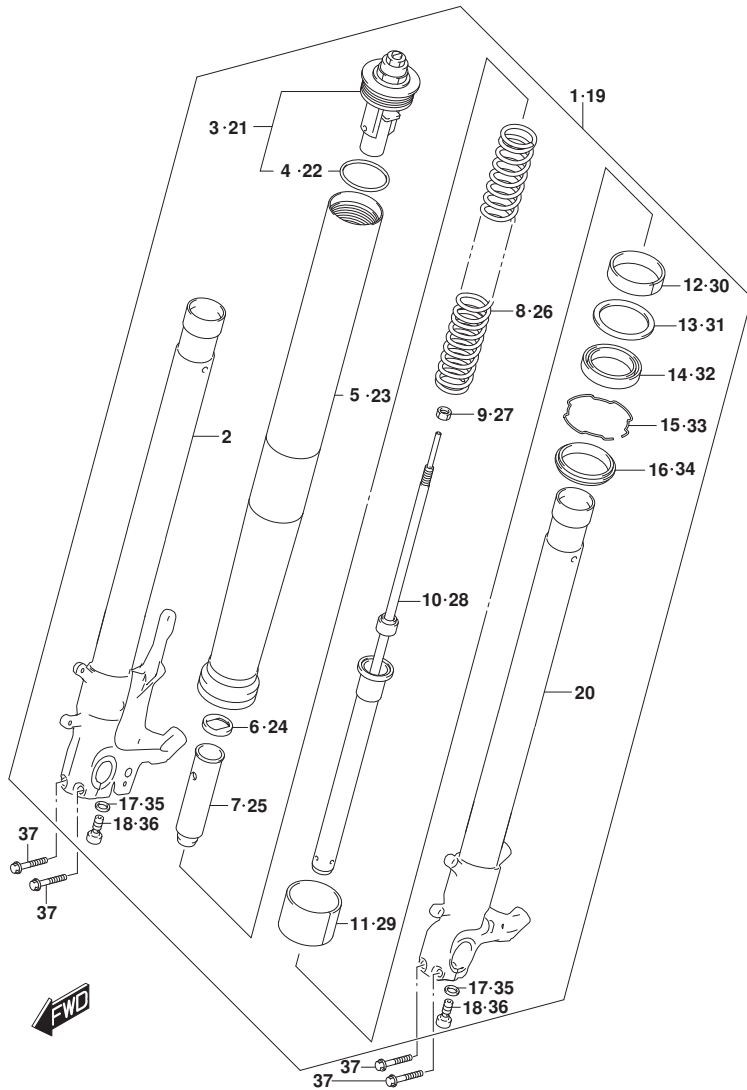


FIG.524A

FIG.524A (1-F-13) STEERING STEM

REF NO.	PART NO.	DESCRIPTION	Q'TY	REMARKS
1	51410-24F50	BRACKET,FR FORK UNDER	1	
2	51644-12C00	.SEAL,STEERING LWR (30.1X56X4)	1	
3	09267-30010	.BEARING (30X55X17)	1	
4	51166-01D80	BOLT,AXLE STOPPER (8X40)	4	
5	51311-24F50	BRACKET,FR FORK UPR	1	
6	51328-24F50	BOLT	2	
7	51356-24F50	WASHER	1	
8	51353-06L00	NUT	1	
9	09267-30010	BEARING (30X55X17)	1	
10	51644-12C00	SEAL,STEERING LWR (30.1X56X4)	1	
11	51643-41G00	COVER,STEERING UPR	1	
12	51641-33E00	WASHER,STEERING STEM	1	
13	51631-33E00	NUT,STEERING STEM	2	
14	51750-15H00	DAMPER ASSY,STEERING	1	
15	09269-08003	.BEARING (8X17.5X11)	1	
16	64339-14101	SEAL,PILLOW BALL,DUST	2	
17	08319-3108A	NUT	1	
18	09103-08391	BOLT (8X35)	1	

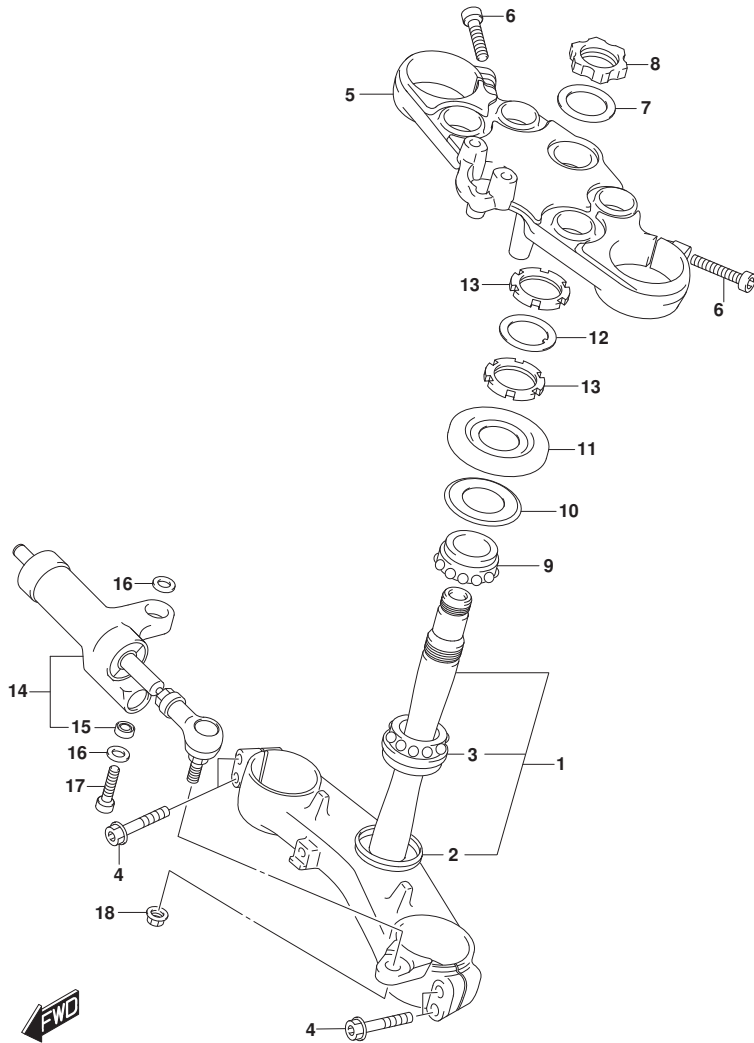
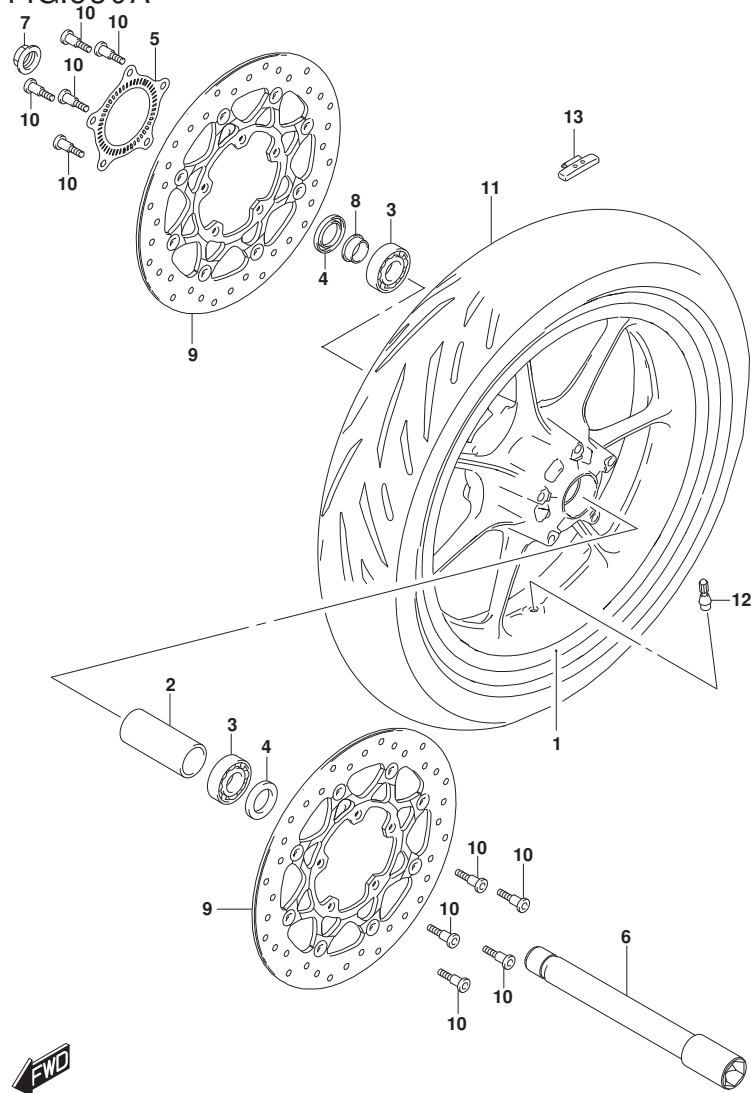


FIG.530A



GSX1300RRQM4_E01_530A
FRONT WHEEL

FIG.530A (1-F-14) FRONT WHEEL

REF NO.	PART NO.	DESCRIPTION	Q'TY	REMARKS
1	54111-10L00-019	WHEEL,FRONT (BLACK)	1	
2	54731-33E20	SPACER,FR HUB BEARING	1	
3	09262-25191	BEARING (25X52X15)	2	
4	09285-32004	SEAL,OIL (32X52X7)	2	
5	54162-10L00	RING,SPEED SENSOR FR	1	
6	54711-10L00	AXLE,FRONT	1	
7	54712-47H00	NUT,FR AXLE	1	
8	54751-41G10	SPACER,FR AXLE,R	1	
9	59210-10L10	DISC,FRONT BRAKE	2	
10	09106-08204	BOLT	10	
11	55110-10L01	TIRE,FRONT 120/70ZR17M/C (BS)	1	
12	#43130-24A00	VALVE ASSY,WHEEL RIM (TR412)	1	
13-1	55411-22H00	BALANCER,WHEEL (10G)	AR	
13-2	55412-22H00	BALANCER,WHEEL (20G)	AR	
13-3	55413-22H00	BALANCER,WHEEL (30G)	AR	

GSX1300RRQM4_E01

FIG.533A

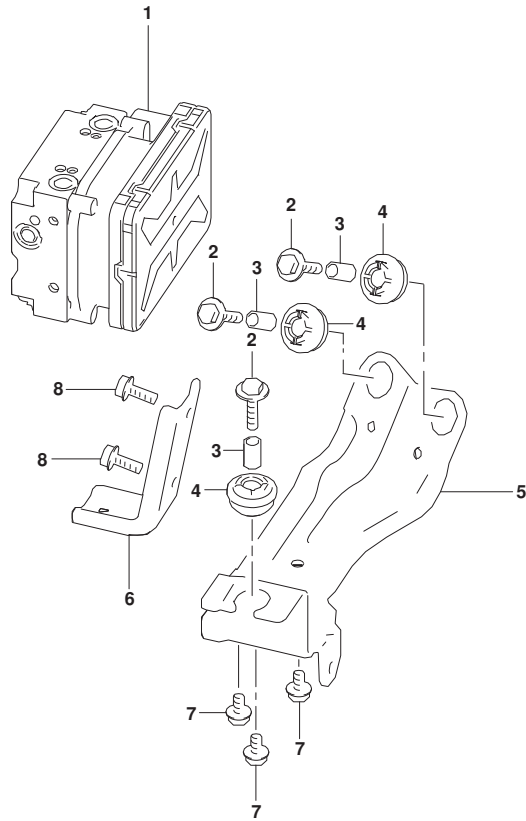


FIG.533A (1-F-15) HYDRAULIC UNIT

REF NO.	PART NO.	DESCRIPTION	Q'TY	REMARKS
1	55610-10L00	UNIT ASSY, HYDRAULIC ABS	1	
2	55661-10G00	BOLT, HYDR UNIT MTG (6X25)	3	
3	55662-10G00	SPACER, HYDR UNIT MTG (#05)	3	
4	55663-48H00	RUBBER, HYDR UNIT MTG	3	
5	55651-10L00	HOLDER, HYDR UNIT ABS	1	
6	55670-10L00	BRACKET, ABS UNIT HOLDER	1	
7	01550-0610A	BOLT	3	
8	01550-0616A	BOLT	2	



FIG.534A

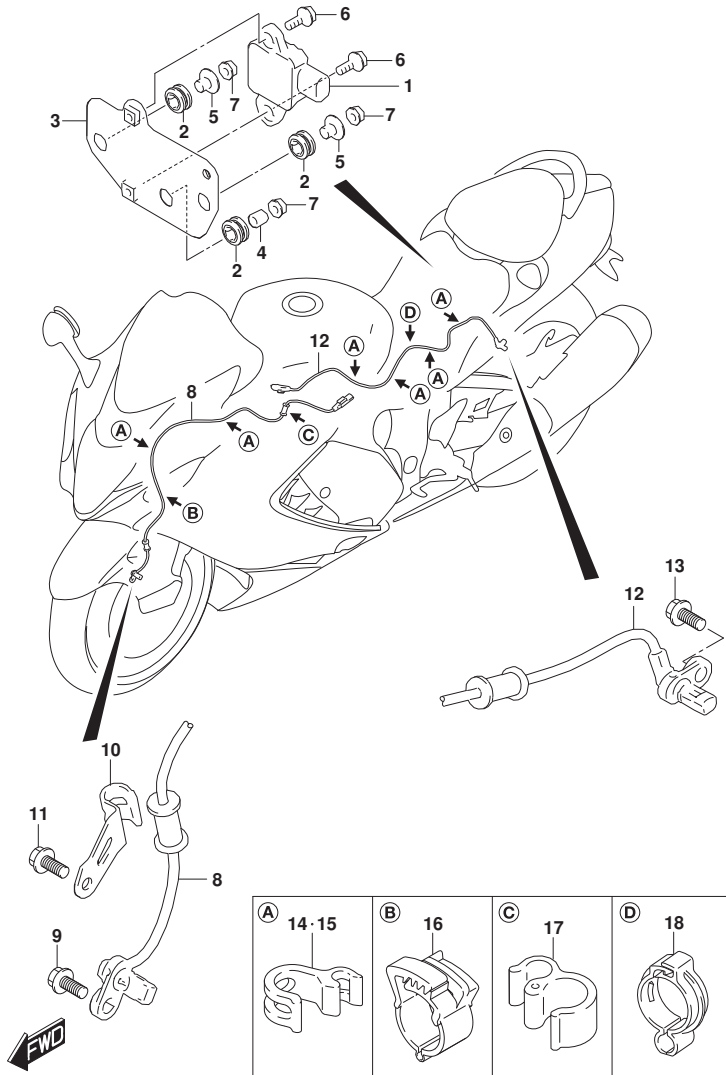


FIG.534A (1-F-16) BODY ELECTRICAL

REF NO.	PART NO.	DESCRIPTION	Q'TY	REMARKS
1	55750-06L00	SENSOR,INERTIAL	1	
2	55763-17K00	RUBBER,INERTIAL SENSOR MTG	3	
3	55760-10L00	HOLDER,INERTIAL SENSOR	1	
4	09180-06307	SPACER (6.5X9X10)	1	
5	09180-06331	SPACER (6.2X8.4X10.9)	2	
6	01550-0616A	BOLT	2	
7	08316-1006A	NUT (6X12)	3	
8	55710-10L00	SENSOR,FR WHEEL SPEED	1	
9	09103-06550	BOLT	1	
10	55731-06L00	CLAMP,FR WHEEL SPEED SENSOR	1	
11	01547-0616B	BOLT	1	
12	65710-10L00	SENSOR,RR WHEEL SPEED	1	
13	09103-06550	BOLT	1	
14	55734-06L00	CLAMP,SENSOR LEAD	2	
15	55734-06L00	CLAMP,SENSOR LEAD	4	
16	09408-00184	CLAMP	1	
17	09408-00241	CLAMP	1	
18	09408-00259	CLAMP	1	

FIG.535A

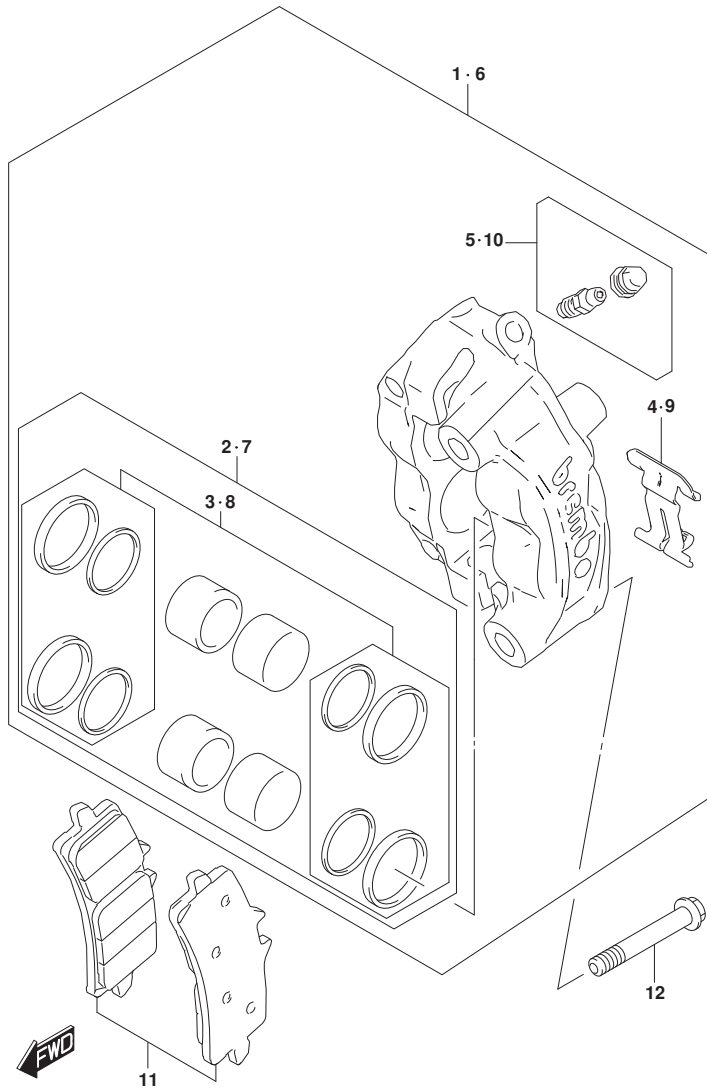


FIG.535A (1-G-2) FRONT CALIPER

REF NO.	PART NO.	DESCRIPTION	QTY	REMARKS
1	59100-10L00-999	CALIPER ASSY,FRONT,R	1	
2	59100-10820	.PISTON SET	1	
3	59100-10830	..SEAL SET	1	
4	59151-14J00	.SPRING	1	
5	59100-14840	.BLEEDER SET	1	
6	59300-10L00-999	CALIPER ASSY,FRONT,L	1	
7	59100-10820	.PISTON SET	1	
8	59100-10830	..SEAL SET	1	
9	59151-14J00	.SPRING	1	
10	59100-14840	.BLEEDER SET	1	
11	59100-14860	PAD SET (T:4.0)	2	
12	59199-10L00	BOLT,FRONT CALIPER	4	

FIG.536A

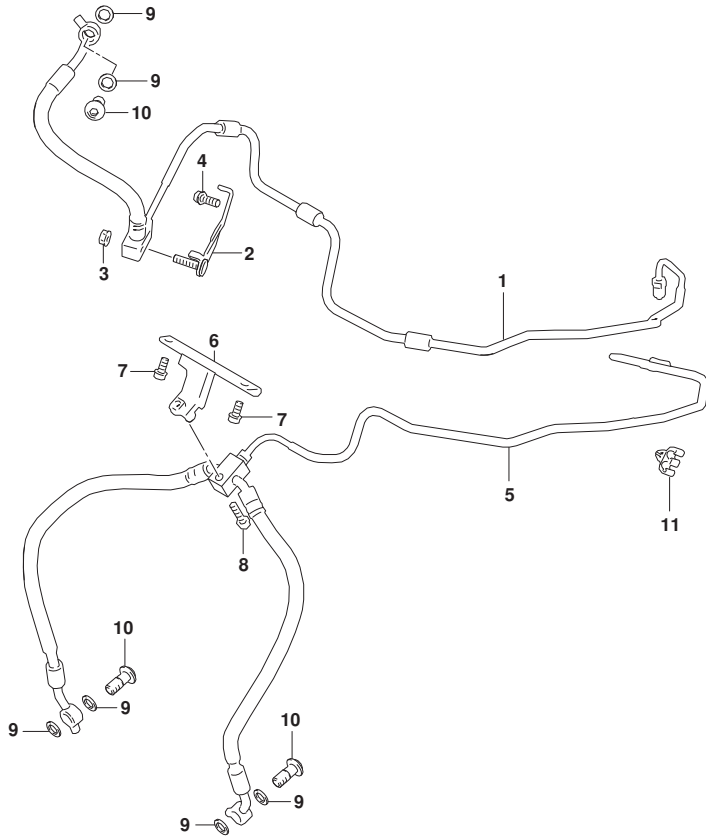


FIG.536A (1-G-3) FRONT BRAKE HOSE

REF NO.	PART NO.	DESCRIPTION	Q'TY	REMARKS
1	59200-10L00	HOSE ASSY,FR BK MASTER TO UNIT	1	
2	59260-10L00	BRACKET,HOSE CLAMP NO.1	1	
3	08316-1006B	NUT	1	
4	01547-0612B	BOLT	1	
5	59400-10L00	HOSE ASSY,UNIT TO FR BK CLPR	1	
6	59270-10L00	BRACKET,HOSE CLAMP NO.2	1	
7	01547-0625A	BOLT	2	
8	01547-0625A	BOLT	1	
9	09161-10009	WASHER (10X15X1.5)	6	
10	09360-10053	UNION (10X1.25X22)	3	
11	09403-07344	CLAMP	1	

FIG.537A

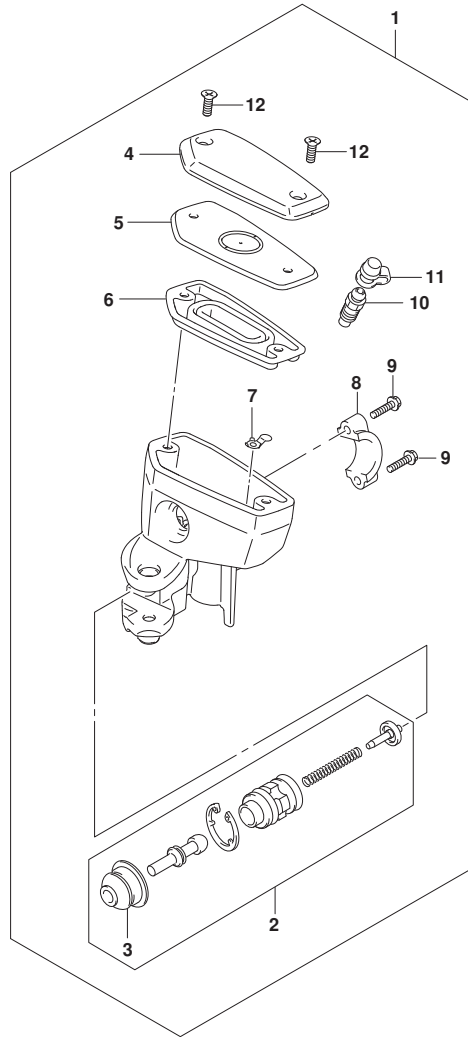


FIG.537A (1-G-4) FRONT MASTER CYLINDER

REF NO.	PART NO.	DESCRIPTION	Q'TY	REMARKS
1	59600-10L20	CYLINDER ASSY,FRONT MASTER	1	
2	59600-10831	.PISTON CUP SET	1	
3	59666-29G00	..BOOT	1	
4	59669-23H20	.CAP, RESERVOIR	1	
5	57437-23H00	.PLATE	1	
6	59667-23H00	.DIAPHRAGM,R	1	
7	59664-32F00	.PROTECTOR	1	
8	59671-36500	.HOLDER	1	
9	59675-10L00	.SCREW	2	
10	59121-01A00	.BLEEDER	1	
11	59122-46H00	.CAP,BLEEDER	1	
12	69689-49300	.SCREW	2	

FIG.539A

FIG.539A (1-G-5) CLUTCH MASTER CYLINDER

REF NO.	PART NO.	DESCRIPTION	Q'TY	REMARKS
1	59800-10L00	CYLINDER ASSY,CLUTCH MASTER	1	
2	59800-10800	.PISTON CUP SET	1	
3	59866-23H00	..BOOT	1	
4	59871-23H00	..ROD,PUSH	1	
5	59892-08A00	.BUSH	1	
6	59869-23H10	.CAP	1	
7	57438-23H00	.PLATE	1	
8	59867-23H00	.DIAPHRAGM	1	
9	59664-32F00	.PROTECTOR	1	
10	59671-36500	.HOLDER	1	
11	59675-10L00	.SCREW	2	
12	69689-49300	.SCREW	2	
13	59900-10L00	HOSE ASSY,CLUTCH	1	
14	59915-24F00	CLAMP,CLUTCH HOSE NO.1	1	
15	01547-0616B	BOLT	1	
16	59921-24F00	CLAMP,CLUTCH HOSE NO.2	1	
17	01547-0616A	BOLT	1	
18	09360-10062	UNION (10X1.25X22)	1	
19	09360-10053	UNION (10X1.25X22)	1	
20	09161-10009	WASHER (10X15X1.5)	4	
21	09403-11321	CLAMP	1	

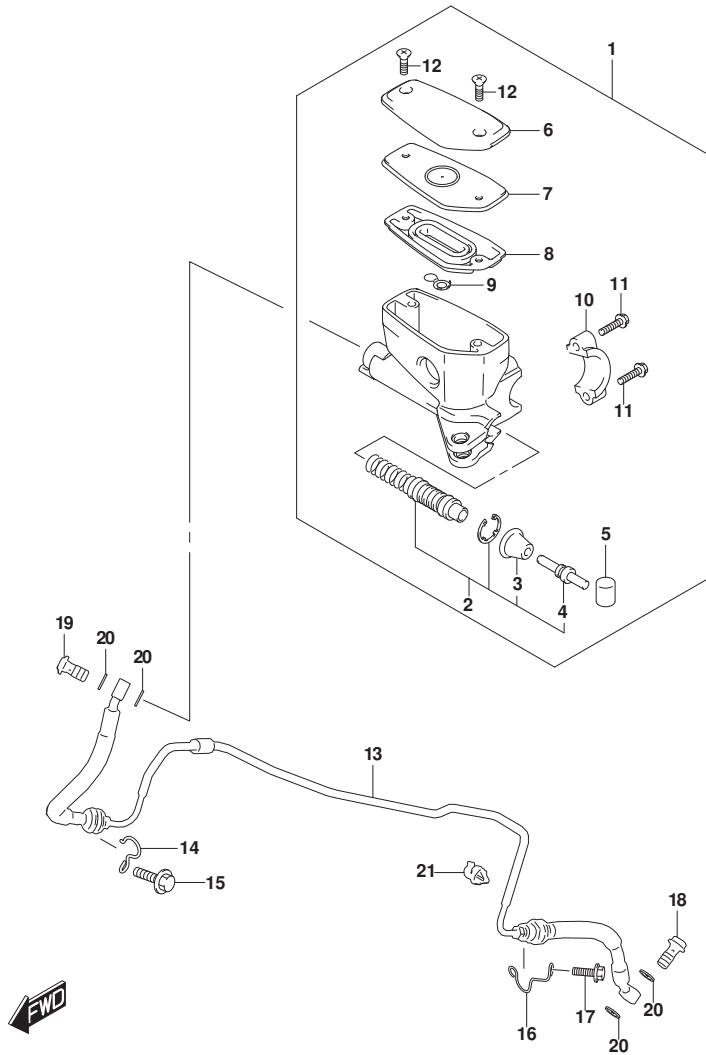


FIG.541A

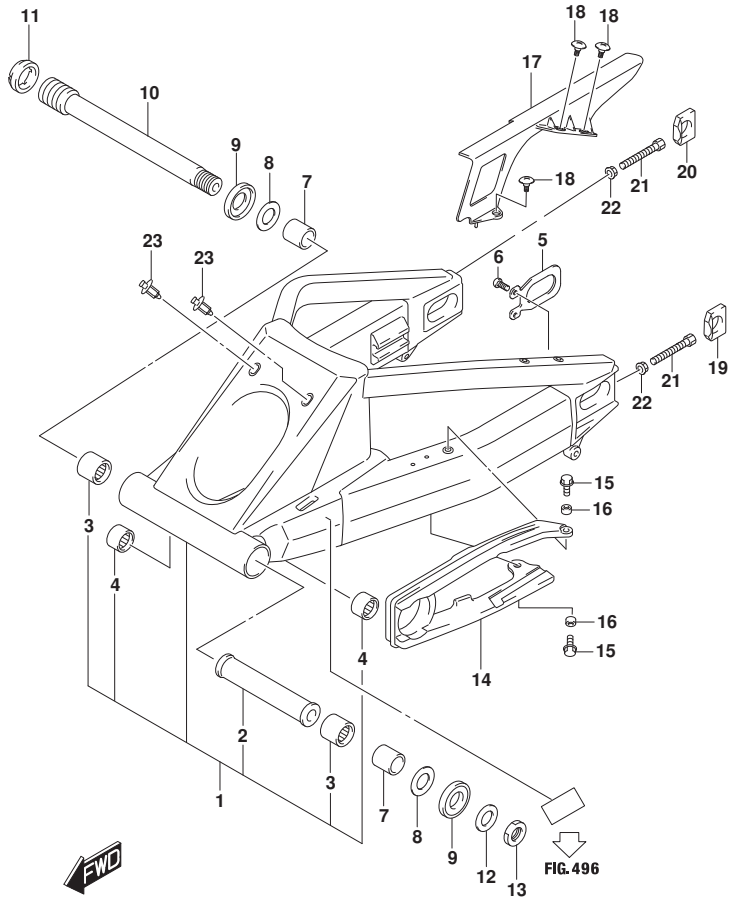


FIG.541A (1-G-6) REAR SWINGARM

REF NO.	PART NO.	DESCRIPTION	Q'TY	REMARKS
1	61000-24F50-YAP	SWINGARM ASSY,REAR (BLACK)	1	
2	61281-33E10	.SPACER,RR SWG PVT CTR	1	
3	09263-30040	.BEARING (30X40X25)	2	
4	09263-17053	.BEARING (17X24X25)	2	
5	61124-33E00	PLATE,RR SWING ARM BRKT	1	
6	09125-06073	SCREW (6X16)	1	
7	61251-17E20	SPACER,RR SWGARM PIVOT BEARING	2	
8	08211-25481	WASHER	2	
9	61262-17E11	SEAL,DUST	2	
10	61211-16G00	SHAFT,RR SWINGARM PIVOT	1	
11	61214-40C31	NUT,RR SWGARM PIVOT BOLT	1	
12	09160-25070	WASHER (25.2X42X3.2)	1	
13	09159-25003	NUT	1	
14	61273-15H01	BUFFER,CHAIN	1	
15	09116-06111	BOLT (6X20)	2	
16	09180-06306	SPACER (6.5X9X5)	2	
17	61311-15H00	CASE,CHAIN	1	
18	09139-06225	BOLT (6X12)	3	
19	61445-40F60	ADJUSTER,CHAIN	1	LH
20	61446-40F60	ADJUSTER,CHAIN	1	RH
21	09100-08287	BOLT (8X50)	2	
22	08316-1008A	NUT	2	
23	09409-07333	CLIP (D:2.4,ID:23.7)	2	

FIG.543A

FIG.543A (1-G-7) REAR CUSHION LEVER

REF NO.	PART NO.	DESCRIPTION	Q'TY	REMARKS
1	62600-24833	LEVER SET,RR CUSHION	1	
2	09263-20121	.BEARING (20X27X30)	1	
3	09263-17053	.BEARING (17X24X25)	2	
4	09263-17057	.BEARING (17X24X26)	1	
5	62684-12C00	SPACER,RR CUSHION LEVER FR (12 X20X32)	1	
6	08211-12301	WASHER	2	
7	62658-19F00	BOLT,RR CUSHION LEVER FR (12X7 8)	1	
8	09159-12056	NUT	1	
9	62626-33D00	SPACER,RR CUSHION LEVER CTR (1 2X17X94)	1	
10	62621-33D10	BOLT,RR CUSHION LEVER CTR	1	
11	09159-12056	NUT	1	
12	62684-40A10	SPACER,RR CUSHION LEVER (10X17 X30)	1	
13	62641-24F00	ROD,RR CUSHION	2	
14	62626-33D00	SPACER,RR CUSHION LEVER CTR (1 2X17X94)	1	
15	62621-33D10	BOLT,RR CUSHION LEVER CTR	1	
16	09159-12056	NUT	1	
17	62100-10L00-019	ABSORBER ASSY,REAR SHOCK (BLAC K)	1	
18	09103-10033	BOLT (10X70)	1	
19	09103-10143	BOLT (10X55)	1	
20	09159-10115	NUT (M10)	2	

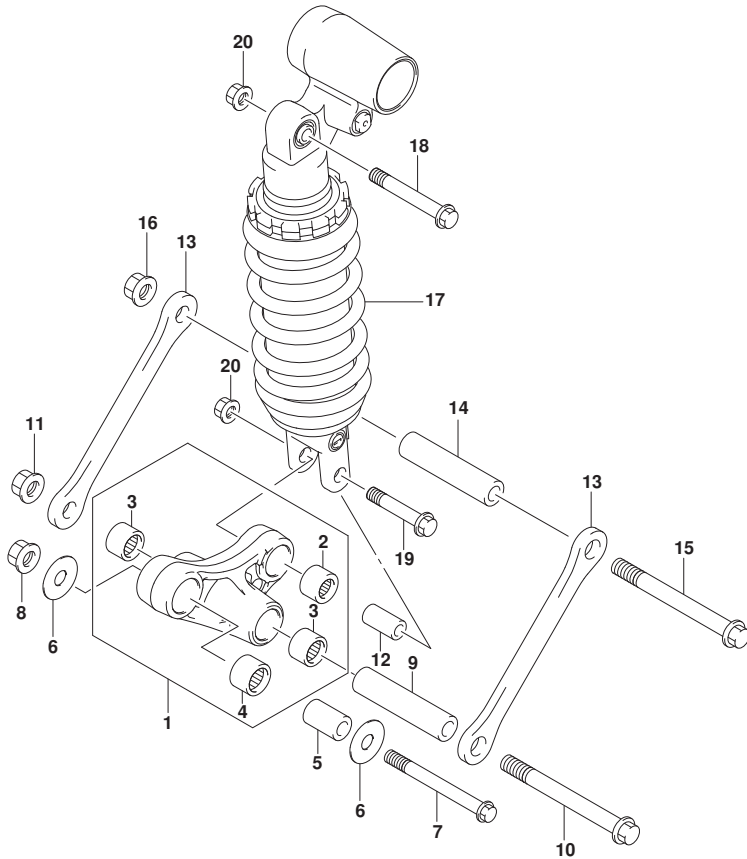


FIG.550A

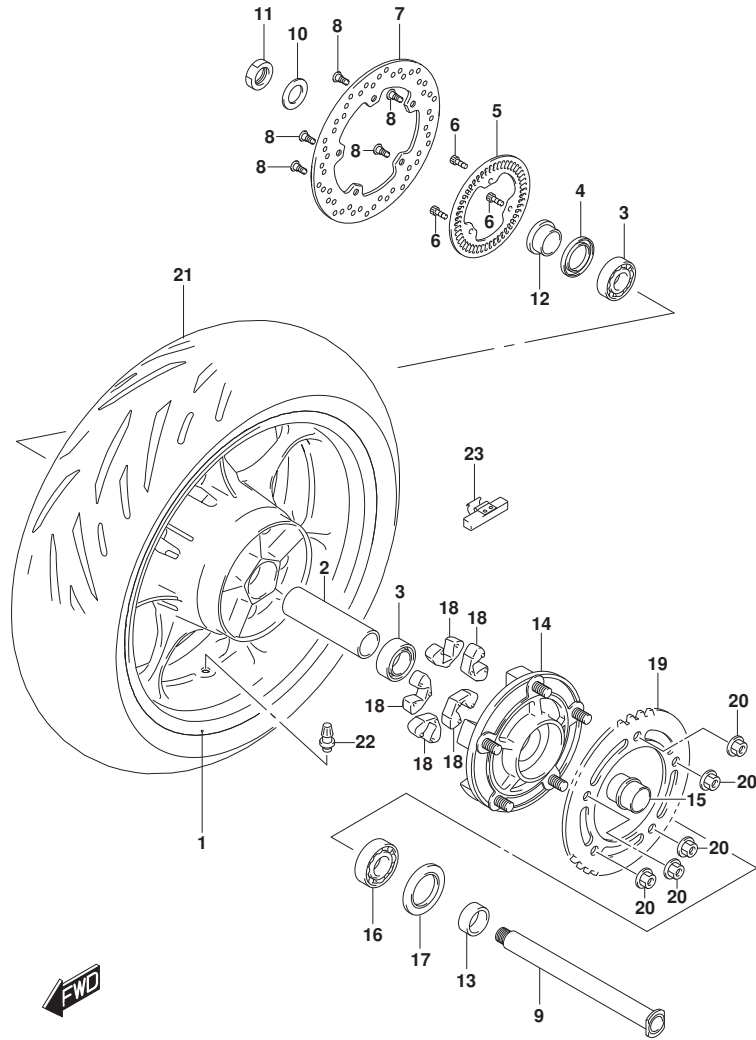


FIG.550A (1-G-8) REAR WHEEL

REF NO.	PART NO.	DESCRIPTION	Q'TY	REMARKS
1	64111-10L01-019	WHEEL,REAR (BLACK)	1	
2	64731-40F10	SPACER,RR WHEEL BEARING	1	
3	09262-28062	BEARING (28X52X12)	2	
4	09284-37002	SEAL,OIL (37X52X8)	1	
5	64162-10L00	RING,SPEED SENSOR RR	1	
6	07130-0512A	BOLT	3	
7	69211-10L00	DISC,REAR BRAKE	1	
8	09106-08160	BOLT (8X21)	5	
9	64711-33E20	AXLE,RR	1	
10	09160-25070	WASHER (25.2X42X3.2)	1	
11	64721-17K00	NUT,REAR AXLE	1	
12	64741-35F10	SPACER,REAR AXLE,R	1	
13	64751-49G00	SPACER,RR AXLE,L	1	
14	64610-35F30	DRUM,RR SPROCKET	1	
15	64733-35F00	RETAINER,RR SPROCKET DRUM	1	
16	09262-32024	BEARING (32X65X17)	1	
17	09285-39001	SEAL,OIL (39X65X7)	1	
18	64651-35F30	ABSORBER,RR HUB SHOCK	5	
19	64511-15H00	SPROCKET,RR (NT:43)	1	
20	08319-3110A	NUT	5	
21	65110-10L00	TIRE,REAR 190/50ZR17M/C (BS)	1	
22	#43130-24A00	VALVE ASSY,WHEEL RIM (TR412)	1	
23-1	55411-22H00	BALANCER,WHEEL (10G)	AR	
23-2	55412-22H00	BALANCER,WHEEL (20G)	AR	
23-3	55413-22H00	BALANCER,WHEEL (30G)	AR	

FIG.555A

FIG.555A (1-G-9) REAR CALIPER

REF NO.	PART NO.	DESCRIPTION	Q'TY	REMARKS
1	69100-15H31-999	CALIPER ASSY,REAR	1	
2	69100-44890	.PISTON SET	1	
3	69102-05880	..SEAL SET,PISTON	1	
4	59112-44B00	.BOOT,AXLE	1	
5	69115-44G00	.SPRING,PAD	1	
6	59141-40F00	.PIN,PAD	1	
7	69105-44G00	.PIN,BOLT	1	
8	69116-44G00	.RETAINER	1	
9	59121-18410	.BLEEDER	1	
10	55156-66310	.CAP,BLEEDER PLUG (M10X1)	1	
11	69150-15H31	.BRACKET	1	
12	69182-44G00	.BOLT	1	
13	69185-44G00	.SLEEVE	1	
14	69186-44G00	.BOOT,SLEEVE	1	
15	69100-15850	PAD & SHIM SET	1	
16	69132-44G10	.INSULATOR	2	
17	69133-44G00	.SHIM	2	

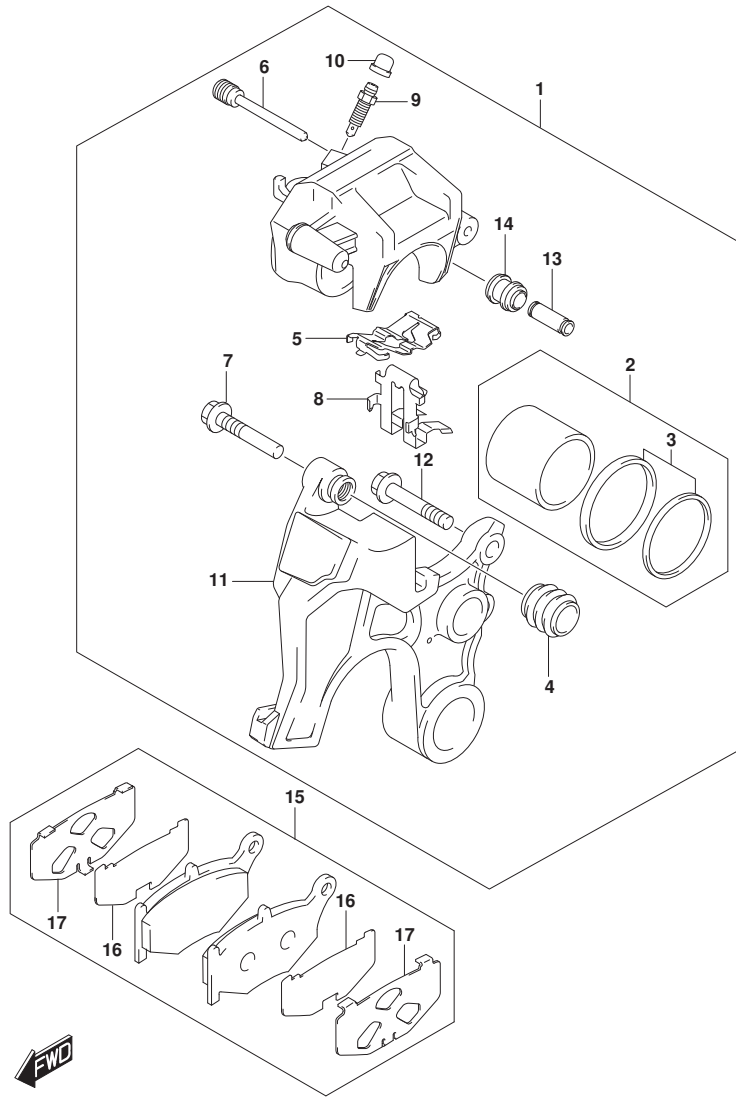


FIG.558A

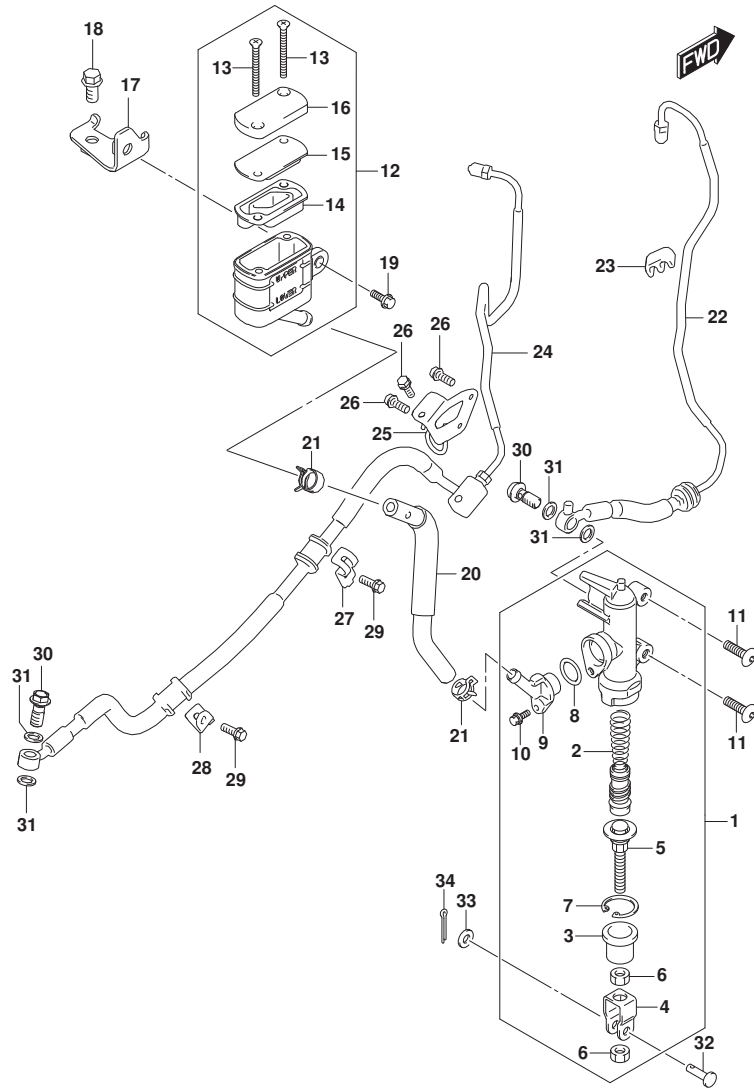


FIG.558A (1-G-10) REAR MASTER CYLINDER

REF NO.	PART NO.	DESCRIPTION	Q'TY	REMARKS
1	69600-08J10	CYLINDER ASSY,REAR MASTER	1	
2	69600-34810	.PISTON/CUP SET	1	
3	69691-04A00	.BOOT	1	
4	69692-47H00	.YOKE	1	
5	69670-27A50	.PUSH ROD	1	
6	69693-47H00	.NUT	2	
7	69665-47H00	.CIRCLIP	1	
8	69686-34200	.O-RING	1	
9	69672-08J10	.CONNECTOR	1	
10	02112-7412A	.SCREW	1	
11	09139-06028	SCREW (6X20)	2	
12	69740-06L00	TANK ASSY,RESERVOIR	1	
13	69689-01H00	.SCREW	2	
14	69667-01H00	.DIAPHRAGM	1	
15	69668-01H00	.PLATE,DIAPHRAGM	1	
16	69669-18K00	.CAP	1	
17	69750-10L00	BRACKET,RR RESERVOIR TANK	1	
18	01547-0612A	BOLT	1	
19	01550-0616A	BOLT	1	
20	69730-10L00	HOSE,RR RESERVOIR TANK	1	
21	09401-12404	CLIP (ID:12)	2	
22	69200-10L00	HOSE ASSY,RR BK MASTER TO UNIT	1	
23	09403-06324	CLAMP	1	
24	69400-10L00	HOSE ASSY,UNIT TO RR BK CLPR	1	
25	69260-15H00	CLAMP,RR BRAKE HOSE	1	
26	01547-0616A	BOLT	3	
27	69275-15H00	CLAMP,RR BRAKE HOSE NO.1	1	
28	69268-15H10	CLAMP,REAR BRAKE HOSE	1	
29	01547-0616B	BOLT	2	
30	09360-10042	UNION (10X1.25X22)	2	
31	09161-10009	WASHER (10X15X1.5)	4	
32	09200-06037	PIN (6X17.7)	1	
33	08322-0106A	WASHER	1	
34	04111-2015A	PIN	1	

PART NO.	FIG.NO.-REF.NO.	PART NO.	FIG.NO.-REF.NO.	PART NO.	FIG.NO.-REF.NO.	PART NO.	FIG.NO.-REF.NO.	PART NO.	FIG.NO.-REF.NO.	PART NO.	FIG.NO.-REF.NO.	
10000		11485-24F00	101A-9	12600-24F00	122A-1	12892-41C00-350	126A-11-25	13759-10L00	155A-3	16470-10L00	178A-8	
			109A-7	12612-24F00	122A-3	12911-15H01	126A-4	13780-10L00	155A-5	16491-24F00	116A-14	
			101A-10	12615-24F00	122A-2	12912-15H00	126A-5	13788-10L00	155A-7	16510-07J00	109A-41	
			116A-2	12651-10L00-0F0	124A-1	12921-10L00	126A-6	13831-47H00	155A-17	16520-24F01	116A-8	
			11491-24F01	101A-11	12654-24F00-0F0	124A-2	12931-02F10	126A-7	13853-10L00	155A-8	16591-06B01	108A-19
	11100-10L00	103A-1	114A-9	12666-24F20	124A-3	12932-24F00	126A-9	13878-10G01	155A-12	16600-10L00	178A-1	
	11115-15H70	103A-5	11492-24F00	101A-12	12668-10L00	124A-6	12933-38400	126A-8	13881-10L00	155A-16	16640-10L00	178A-5
	11117-15H00	103A-9	114A-19	114A-19	12681-26D02	124A-9	13111-10L00	103A-20	14100-10L00	163A-1	16650-15H01	178A-11
	11131-33E01	103A-13	11511-24F10	116A-1	12686-24F00	124A-4	13150-01H01	109A-2	14180-10L00	164A-1	17400-10L00	180A-1
	11141-15H00	101A-2	11532-46E00	109A-21	12710-10L00	126A-1	13170-08J00	103A-22	14181-04K00	101A-14	17418-33401	180A-9
	103A-6	11611-24F00	109A-33	12720-10L00	126A-2	13268-48700	140A-3		163A-2	17432-07G00	180A-7	
11161-33E00	103A-25	11959-10L00	496E-3	12731-24F10	120A-14	13269-33E00	140A-2	14190-10L00	164A-4	17435-33400	180A-10	
11170-15H00	102A-1	11971-25D00	114A-6	12760-24F01	127A-1	13295-29901	140A-5	14305-10L50	163A-14	17461-48G00	180A-5	
11173-24F00	101A-3	11971-33210	114A-2	12771-15H01	127A-2	13374-32G00	140A-8	14306-10L50	163A-17	17470-02F11	180A-4	
	102A-2	12000-10840	120A-5	12773-24F00	127A-7		140A-27	14459-42F10	163A-12	17491-17E01	180A-2	
11178-15H00	101A-4	12111-10L00-0F0	120A-10	12782-10L00	127A-3	13405-10L00	140A-1	14459-47H00	163A-10	17511-24F10	180A-6	
	102A-3	12140-10L00	120A-11	12800-41810	126A-12	13471-10L00	140A-6	14770-10L00	163A-5	17568-50F00	187A-17	
11191-13E00	103A-26	12151-05200	122A-4	12811-10L00	127A-5		140A-25	14771-24F01	163A-9	17661-35F00	187A-15	
11191-27E00	101A-5	12151-10L00	120A-12	12812-31G00	127A-6	13471-18H00	140A-16	14771-42F40	163A-11	17670-15H00	187A-14	
	102A-5	12160-10L00	120A-1	12830-15H10	127A-9	13472-10L00	140A-7	14785-17K22	164A-2	17710-10L00	185A-1	
11210-15H00-0F0	107A-1	12163-10L00	120A-2	12835-15H00	127A-12		140A-26	164A-5	164A-5	17711-10L00	185A-10	
11241-10L00	101A-6	12164-10L00-0A0	120A-4-1	12837-02H00	101A-13	13473-10L00	140A-9	14791-10L00	163A-15	17730-14G00	185A-2	
	107A-4	12164-10L00-0B0	120A-4-2		127A-10		140A-28	163A-18	163A-18	17750-10L00	185A-6	
11280-24F00	107A-8	12164-10L00-0C0	120A-4-3	12838-15H00	127A-13	13474-17K00	140A-29	15100-17K00	172A-1	17765-09F01	178A-12	
11282-10L00	107A-9	12164-10L00-0D0	120A-4-4	12839-15H01	127A-15	13500-10L00	140A-39	15113-05H00	172A-5	17771-10L00	185A-12	
11283-24F01	107A-16	12228-24F00-0A0	108A-21-1	12891-02F10	126A-3	13550-10L00	140A-40	15113-17K00	172A-8	17802-14F00	178A-14	
11300-10810	108A-1		120A-7-1	12892-41C00-230	126A-11-1	13571-10L00	140A-35	15113-35F00	172A-11		185A-11	
11312-10L00	109A-40	12228-24F00-0B0	108A-21-2	12892-41C00-235	126A-11-2	13601-10L00	140A-41	15113-48H00	172A-4	17810-10L00	185A-8	
11318-35F00	107A-2		120A-7-2	12892-41C00-240	126A-11-3	13601-29G00	140A-10	15114-17K00	172A-6	17820-10L00	185A-9	
11319-33E50	108A-2	12228-24F00-0C0	108A-21-3	12892-41C00-245	126A-11-4		140A-30	15115-17K00	172A-9	17851-10L00	187A-1	
11323-24F10	108A-3		120A-7-3	12892-41C00-250	126A-11-5	13602-29G01	140A-11	15116-17K00	172A-7	17852-10L00	187A-2	
11328-24F00	108A-5	12228-24F00-0D0	108A-20	12892-41C00-255	126A-11-6		140A-31	15120-10L00	172A-12	17853-10L00	187A-3	
11331-15H00	109A-1		108A-21-4	12892-41C00-260	126A-11-7	13606-47A00	140A-4	15122-17K00	172A-13	17854-10L00	187A-4	
11340-10L00	114A-1		120A-6	12892-41C00-265	126A-11-8	13650-41F10	155A-19	15201-07L00	172A-14	17855-10L00	187A-8	
11351-10L00	113A-1		120A-7-4	12892-41C00-270	126A-11-9	13650-49X00	103A-27	15310-17K00	172A-2	17861-33E20	187A-5	
11361-10L00	113A-5	12228-24F00-0E0	108A-21-5	12892-41C00-275	126A-11-10	13655-41F10	155A-20	15420-17K00	172A-10	17863-33E00	187A-7	
11364-10L00	109A-37		120A-7-5	12892-41C00-280	126A-11-11	13671-12C00	140A-23	15610-17K00	172A-3	17910-10L00	187A-19	
11365-10L00	109A-38	12228-24F00-0F0	108A-21-6	12892-41C00-285	126A-11-12	13681-39F00-070	140A-19	15710-14J00	140A-12	17931-31J00	187A-20	
11371-10L00	113A-9		120A-7-6	12892-41C00-290	126A-11-13	13683-01H01	140A-15	15710-17K10	140A-32	17982-10L00	187A-22	
11372-21H00	109A-3	12229-10L00-0A0	120A-9-1	12892-41C00-295	126A-11-14	13683-04K50	140A-21	15717-58B00	140A-13	18114-74P00	427B-10	
11380-24F20	114A-8	12229-10L00-0B0	120A-9-2	12892-41C00-300	126A-11-15	13683-10F61	140A-17		140A-33	18213-04K00	163A-25	
11382-24F20	114A-18	12229-10L00-0C0	120A-9-3	12892-41C00-305	126A-11-16	13683-10L00	140A-22	15722-14J00	140A-14	18213-18K00	163A-26	
11383-10L00	109A-6	12229-10L00-0D0	120A-9-4	12892-41C00-310	126A-11-17	13685-02FA0	140A-18		140A-34	18450-35F70	189A-1	
11390-34E00	109A-11	12229-10L00-0E0	120A-9-5	12892-41C00-315	126A-11-18	13685-04F10	140A-20	15810-10L00	172A-15	18461-15H00	189A-5	
11390-34E10	109A-12	12229-15H10-0A0	120A-8-1	12892-41C00-320	126A-11-19	13720-10L00	155A-4	15900-10L00	140A-24	18471-15H00	189A-6	
11400-10810	101A-1	12229-15H10-0B0	120A-8-2	12892-41C00-325	126A-11-20	13736-10L00	155A-14	16321-33E10	116A-16	18510-29G31	189A-7	
11482-24F00	101A-7	12229-15H10-0C0	120A-8-3	12892-41C00-330	126A-11-21	13740-10L00	155A-1	16331-33E00	116A-17	18531-15H01	189A-2	
	114A-3	12229-15H10-0D0	120A-8-4	12892-41C00-335	126A-11-22	13756-10L00	155A-15	16400-24F01	116A-13	18560-31J00	427B-1	
11483-24F00	101A-8	12229-15H10-0E0	120A-8-5	12892-41C00-340	126A-11-23	13757-10L00	155A-13	16440-24F00	116A-11	18561-10L10	427B-6	
	113A-2	12600-24870	122A-6	12892-41C00-345	126A-11-24	13758-10L00	155A-2	16460-10L00	178A-7	18562-10L00	427B-7	

PART NO.	FIG.NO.-REF.NO.	PART NO.	FIG.NO.-REF.NO.	PART NO.	FIG.NO.-REF.NO.
18563-10L00	427B-8	24263-10L00	206A-8	31171-24F00	301A-6
18564-10L00	427B-9	24311-10L00	206A-20	31172-38300	301A-7
18571-10L00	427B-3	24321-15H00	206A-22	31173-88C00	301A-8
18571-31J00	427B-2	24322-48G00	206A-23	31264-44110	301A-9
18572-10L00	427B-4	24331-15H00	206A-24	31281-24F00	301A-10
18590-18K00	155A-22	24332-24F20	206A-25	31361-38300	301A-11
	155A-24		206A-26	31361-43400	301A-12
18595-04K01	155A-25	24341-15H00	206A-27	31800-44G00	312E-1
18610-15H00	189A-8	24351-10L00	206A-28	31861-38G00	312E-2
18711-10L00	189A-10	24361-15H00	206A-29	32101-24F22	303A-1
18751-10L00	189A-3	24741-24F10	212A-9	32102-10L00	303A-2
		24751-10L00	206A-49	32371-24F00	303A-3
		25211-24F20	212A-1	32800-26J10	312E-5
		25231-24F20	212A-2	32910-10L00	312E-11
		25310-10L00	212A-5	33220-01H01	312E-8
		25312-10L00	212A-12	33410-10L00	312E-10
		25314-10L00	212A-13	33442-41F00	310A-7
		25350-24F00	212A-16	31861-38J01	310A-1
		25355-06J00	212A-14	33652-10L00	310A-3
		25381-10L00	212A-11	33652-10L10	310A-4
		25411-24F00	212A-3	33652-10L20	310A-5
		25411-38B01	212A-4	33652-22D00	445A-1
		25500-10810	212A-39	33652-27G00	310A-6
		25510-10L00	212A-23	33652-34000	445A-2
		25512-06G20	212A-24	33652-36000	310A-2
		25518-06L00	212A-22	33652-38A10	312E-12
		25520-10L00	212A-34	33810-10L00	310A-9
		25525-10L00	212A-37	33820-10L00	310A-10
		25526-47001	212A-28	33860-10L00	310A-11
			212A-35	34100-10L01	330A-1
		25600-10L00	212A-27	34111-10L00	330A-2
		25617-17K00	212A-31	34150-10L00	330A-3
		25619-17K00	212A-32	34183-10C00	330A-4
		25652-20C00	212A-29	34187-24F00	330A-5
		25671-01011	212A-18	34810-10L00	172A-17
		27511-15H00	206A-43	34815-10L00	172A-18
		27531-15H00	206A-44	34955-10L00	330A-6
		27532-15H00	206A-45		482A-2
		27600-24F80-114	206A-46	35100-10L00	333A-1
		27620-24F70	206A-47	35601-10L01	334A-1
				35602-10L01	334A-6
				35710-10L00	339A-1
				35910-17KA0	339A-7
				35913-17K00	339A-8
				35950-13K01	460C-9
				35970-07F01	339A-12
				36132-45C00	301A-2
				36619-10L00	352B-4
				36620-10L00	350B-10
				36630-10L00	350B-11

20000

PART NO.	FIG.NO.-REF.NO.	PART NO.	FIG.NO.-REF.NO.	PART NO.	FIG.NO.-REF.NO.
36652-10L00	350B-12	43571-10L00	415A-3	45118-15H00	505A-5
36654-28K00	350B-9	43572-10L00	415A-6	45149-44G01	425A-5
36672-10L00	350B-13	43576-15H00	415A-8	45149-45330	505A-3
36852-10L00	350B-14	43576-15H40	415A-9	45191-15H00	505A-12
36990-06L00	212A-44	43581-10L00	415A-11	45213-42F00	505A-8
	355A-3	43600-10L00	417A-1	45220-15H00	505A-10
36990-10L00	350B-22	43611-10L00	417A-3	45241-17K00	460C-1
37100-10L11	352B-2	43621-10L00	417A-13	45280-26F00	505A-15
37102-10891	352B-1	43700-10L00	417A-11	45288-14F00	505A-16
37146-10L00	352B-7	43811-10L00	417A-4	45289-11F00	505A-14
37152-17K00	352B-3	43816-10L00	417A-5	45290-10L00	505A-7
37180-10L02	352B-5		417A-15	45300-10L02-QUZ	505A-6
37200-10L00	355A-1	43821-10L00	417A-14	45500-10L00-B9E	507A-1
37400-10L01	355A-2	44100-10L00-QRE	420A-1	45518-16G00	481A-19
37730-10L00	212A-42	44121-28K01	420A-2	46211-10L00	410A-1
37732-10L00	212A-40	44173-14J00	422A-1	46212-10L00	410A-4
37733-10L00	212A-43	44191-10L00	420A-3	46212-19K01	410A-5
37740-10L00	350B-23	44191-15H00	420A-4	46217-10L00	410A-9
37820-33D11	116A-21	44200-10810	420A-5	46217-24F00	410A-7
37822-33D00	116A-22	44211-10L00	422A-2	47111-10L00-QRE	445A-3
37840-24F01	350B-25	44277-10L00	422A-3	47112-10L00	445A-4
38500-24F40	350B-28	44277-18K00	485A-16	47113-10L00	443A-1
38860-76F01	350B-7	44290-10L10-QRE	422A-4	47114-10L00	443A-2
	350B-8	44292-10L00	422A-7	47115-16G01	445A-5
		44294-43H11	333A-3	47123-17K00	422A-15
			334A-3		481A-14
			334A-8	47190-24F01	507A-2
		44295-10L00	422A-8	47190-24F11	410A-8
		44423-10L00	420A-7	47190-24F21	445A-6
		44512-04K00	422A-9	47191-24F00	445A-7
		44521-10L00	422A-10	47191-24F20	445A-8
41100-15H20-YAP	401A-1	44523-47H00	422A-11	47191-24F30	445A-9
41200-10L00	401A-2	44530-10L00	422A-12	47211-10L00-QRE	445A-10
41911-33E10	401A-4	44530-15H10	425A-1	47310-10L00-6UX	443A-3
41921-15H20	401A-6	44541-10L00	420A-8	47320-10L10-YVB	445A-11
41921-15H30	401A-7	44542-10L00	420A-9	47323-10L00	445A-14
41922-19F12	401A-8	44550-10L00	425A-2	47324-10L00	443A-5
41922-33E30	401A-9	44555-15H00	425A-3	47330-10L10-YVB	445A-15
42310-24F00	407A-1	44561-18G00	425A-4	47411-10L00	445A-18
42330-24F01	407A-6	44572-02F01	434A-1	47423-10L00	312E-14
43110-10L00	407A-8	44572-13G00	420A-10	47451-10L00	460C-7
43130-24A00	550A-12		422A-13	47455-10L00	460C-8
	550A-22		333A-4	47511-10L00-QRE	443A-6
43510-10L00	415A-1	44572-37H00	418A-1	47871-10L00	474A-1
43516-10L00	415A-2		420A-11		
43521-10L00	415A-4	44572-44G00	420A-11		
43526-10L00	415A-5		422A-14		
43550-10L00	415A-7	44574-35F00	420A-15		
	417A-2	44894-24A00	410A-10		
	417A-12	45100-10L01-QUZ	505A-1		
	407A-10	45117-15H01	505A-2		

40000

50000

PART NO.	FIG.NO.-REF.NO.	PART NO.	FIG.NO.-REF.NO.	PART NO.	FIG.NO.-REF.NO.
51103-10L00	521A-1	53121-28K00	460C-3	57460-14J02	467A-6
51104-10L00	521A-19	53121-33E00	460C-4	57465-17C00	467A-7
51110-10L00	521A-2	53145-48B00	420A-12	57500-10L00	467A-8
51112-31J00	521A-11	54111-10L00-019	530A-1	57560-02FA0	467A-11
	521A-29	54162-10L00	530A-5	58300-10L00	462A-15
51120-10L00	521A-20	54711-10L00	530A-6	58300-10L10	462A-16
51131-10L00	521A-5	54712-47H00	530A-7	58623-24F10	462A-17
	521A-23	54731-33E20	530A-2	59100-10820	535A-2
51146-10L00	521A-10	54751-41G10	530A-8		535A-7
	521A-28	55110-10L01	530A-11	59100-10830	535A-3
51147-24F50	521A-18	55156-66310	555A-10		535A-8
	521A-36	55411-22H00	530A-13-1	59100-10L00-999	535A-1
51148-41310	521A-17		550A-23-1	59100-14840	535A-5
	521A-35	55412-22H00	530A-13-2		535A-10
	521A-12		550A-23-2	59100-14860	535A-11
51152-31J00	521A-30	55413-22H00	530A-13-3	59112-44B00	555A-4
	521A-14		550A-23-3	59121-01A00	201A-30
51153-41G00	521A-32	55610-10L00	533A-1		537A-10
	521A-36	55651-10L00	533A-5	59121-18410	555A-9
51156-14200	521A-15		533A-2	59122-01A00	201A-31
	521A-33	55661-10G00	533A-3	59122-46H00	537A-11
51158-14200	521A-13	55662-10G00	533A-4	59141-40F00	555A-6
	521A-31	55663-48H00	533A-6	59151-14J00	535A-4
51158-40F30	521A-6	55670-10L00	533A-8		535A-9
	521A-24	55710-10L00	534A-8		535A-12
51166-01D80	524A-4	55731-06L00	534A-10	59199-10L00	536A-1
51171-10L00	521A-8	55734-06L00	534A-14	59200-10L00	536A-2
	521A-26		534A-15	59210-10L10	530A-9
	521A-16	55750-06L00	534A-1	59260-10L00	536A-2
51173-41G00	521A-34	55760-10L00	534A-3	59270-10L00	536A-6
	521A-7	55763-17K00	534A-2	59300-10L00-999	535A-6
	521A-25	56111-10L01	462A-2	59400-10L00	536A-5
51311-24F50	524A-5	56123-10L00	462A-3	59600-10831	537A-2
51328-24F50	524A-6	56151-10L01	462A-4	59600-10L20	537A-1
51351-10L00	521A-3	56211-10L00	462A-5	59664-32F00	537A-7
	521A-21	56240-01D01	462A-6		539A-9
51352-13A60	521A-9	56243-01D00	462A-7	59666-29G00	537A-3
	521A-27	56247-24F00	462A-8	59667-23H00	537A-6
51353-06L00	524A-8	56249-10L00	462A-9	59669-23H20	537A-4
51356-24F50	524A-7	56277-10L00	462A-10	59671-36500	537A-8
51410-24F50	524A-1	56278-10L00	462A-11		539A-10
51434-40H20	521A-37	56500-10L00	462A-12	59675-10L00	537A-9
51631-33E00	524A-13	56600-10L00	462A-13		539A-11
51641-33E00	524A-12	56619-41G01	462A-14	59800-10800	539A-2
51643-41G00	524A-11	57110-21H02	467A-1	59800-10L00	539A-1
51644-12C00	524A-2	57211-21H01	467A-2	59866-23H00	539A-3
	524A-10	57300-10L00	467A-3	59867-23H00	539A-8
51750-15H00	524A-14	57431-10L00	467A-9	59869-23H10	539A-6
51831-21D00	339A-6	57431-29G00	467A-4	59871-23H00	539A-4
51833-48G80	453A-2	57437-23H00	537A-5	59892-08A00	539A-5
53111-10L00-YVB	460C-2	57438-23H00	539A-7	59900-10L00	539A-13

PART NO.	FIG.NO.-REF.NO.	PART NO.	FIG.NO.-REF.NO.	PART NO.	FIG.NO.-REF.NO.
59915-24F00	539A-14	64731-40F10	550A-2	69670-27A50	558A-5
59921-24F00	539A-16	64733-35F00	550A-15	69672-08J10	558A-9
		64741-35F10	550A-12	69686-34200	558A-8
		64751-49G00	550A-13	69689-01H00	558A-13
		65110-10L00	550A-21	69689-49300	537A-12
		65710-10L00	534A-12		539A-12
		68111-10L00	422A-5	69691-04A00	558A-3
		68131-10L00-B9E	445A-12	69692-47H00	558A-4
		68135-10L00-AV4	445A-13	69693-47H00	558A-6
		68141-10L00-B9E	445A-16	69730-10L00	558A-20
		68145-10L00-AV4	445A-17	69740-06L00	558A-12
		68185-10L00-CSD	485A-13	69750-10L00	558A-17
		68195-10L00-CSD	485A-15		
		68281-10L00	422A-6		
		68281-24F11-019	481A-4		
		68281-47HA0	462A-1		
		68319-06L00	496E-1-1		
		68319-06L20	496E-1-2		
		68319-06L30	496E-1-3		
		68319-06L40	496E-1-4		
		68319-06L50	496E-1-5	73415-70A00	334A-4
		68319-06L70	496E-1-6		334A-9
		68319-06L80	496E-1-7		453A-3
		68332-10L00	496E-2		453A-8
		68641-19F01-YES	443A-4		453A-16
		69100-15850	555A-15		480A-1
		69100-15H31-999	555A-1		480A-6
		69100-44890	555A-2		481A-2
		69102-05880	555A-3		481A-11
		69105-44G00	555A-7		481A-20
		69115-44G00	555A-5		483A-12
		69116-44G00	555A-8		485A-1
		69132-44G10	555A-16		485A-6
		69133-44G00	555A-17		485A-11
		69150-15H31	555A-11		
		69182-44G00	555A-12		
		69185-44G00	555A-13		
		69186-44G00	555A-14		
		69200-10L00	558A-22		
		69211-10L00	550A-7		
		69260-15H00	558A-25	92146-14J00	453A-9
		69268-15H10	558A-28		453A-17
		69275-15H00	558A-27	92215-39H00	474A-9
		69400-10L00	558A-24	94410-10L10-QRE	481A-3
		69600-08J10	558A-1	94412-10L00-QRE	481A-5
		69600-34810	558A-2	94413-10L00-QRE	481A-6
		69665-47H00	558A-7	94414-10L00	481A-7
		69667-01H00	558A-14	94419-10L00	481A-12
		69668-01H00	558A-15	94420-10L00	480A-2
		69669-18K00	558A-16	94430-10L00	480A-7

60000

70000

90000

PART NO.	FIG.NO.-REF.NO.	PART NO.	FIG.NO.-REF.NO.	PART NO.	FIG.NO.-REF.NO.
94443-06G00	445A-19 453A-10 453A-18 481A-8	94640-10L00 94642-10L00 94643-10L00	480A-8 453A-1 485A-3 485A-8	01547-0635A 01547-0640A	109A-10 180A-13 108A-16 116A-4
94458-15H10	481A-17	94644-31F00	480A-12	01547-0650A	108A-8
94461-10L00	481A-21	94671-10L00-YVB	480A-13	01547-0660A	108A-17
94462-10L00	481A-22	94675-07L00	474A-11	01550-0610A	533A-7
94470-10L10-QRE	485A-12	94681-10L00	480A-14	01550-0612A	103A-10
94472-10L10	485A-19	95643-58J00	330A-8		140A-42
94473-10L00-YVB	483A-3	95700-14810	505A-13		185A-7
94474-10L00-YVB	433A-1	96514-10L00	474A-17	01550-0616A	189A-9
94475-10L00-YVB	433A-5	96514-17K00	474A-18		312E-15
94476-10L00	434A-2	96514-17K10	474A-19		427B-5
94478-14J00	445A-20	99000-69471	126A-13		474A-16
	485A-2	99011-10L20-01A	496E-4-1		483A-11
	485A-7	99011-10L20-01E	496E-4-2		533A-8
94479-10L00	433A-6	99011-10L20-01F	496E-4-3		534A-6
94479-10L10	434A-3	99011-10L20-01H	496E-4-4		558A-19
94479-10L20	434A-4	99011-10L20-01K	496E-4-5	01550-0620A	116A-9
94479-35F00	474A-10	99011-10L20-029	496E-4-6	01550-0625B	422A-24
	483A-13			01550-0630A	103A-8
94480-10L10-QRE	485A-14			01550-0635A	103A-14
94482-10L10	485A-20			01550-0645A	103A-15
94483-10L00-YVB	483A-4			01550-0816A	163A-4
94484-10L00-YVB	433A-2				425A-9
94485-10L00-YVB	433A-7	01421-0625A	107A-5	01550-0865A	108A-9
94486-10L00	434A-5	01547-0530A	352B-6	01550-0880A	108A-10
94489-10L00	434A-6	01547-0612A	108A-6	01550-1060A	108A-18
94489-10L10	433A-20		462A-20	01560-0616A	178A-6
94489-10L20	434A-7		558A-18	02112-0620A	180A-11
94489-10L30	434A-8	01547-0612B	536A-4	02112-7412A	558A-10
94491-10L00	483A-14	01547-0616A	189A-4	02122-0612A	127A-8
94510-10L00	482A-3		539A-17	02142-0516A	415A-17
94531-10L00	482A-4		558A-26		417A-8
94532-10L00	482A-5	01547-0616B	534A-11		417A-18
94541-10L00	483A-5		539A-15	02162-0625B	312E-7
94541-41C00	482A-6		558A-29	03511-0516A	155A-21
94560-10L00	312E-6	01547-0620A	109A-4	03541-0412A	443A-7
94570-10L00	433A-8		187A-13	03541-0512A	433A-18
94572-10L00	433A-9		187A-18		434A-11
94576-10L00	481A-24	01547-0625A	108A-4		443A-8
94580-10L00	433A-11		109A-9		445A-24
94611-10L00	481A-15		212A-33		483A-2
94631-10L00-QRE	453A-11		301A-15		485A-5
94632-10L00-QRE	453A-19		536A-7		485A-10
94633-31J00	434A-12		536A-8		485A-21
	453A-4	01547-0630A	109A-5	03541-0516A	334A-2
	453A-12		116A-3		334A-7
	453A-20		116A-15		453A-7
	480A-3		505A-11		481A-9

00000

PART NO.	FIG.NO.-REF.NO.	PART NO.	FIG.NO.-REF.NO.	PART NO.	FIG.NO.-REF.NO.
	481A-10		505A-9	09103-12119	109A-31
	485A-18		534A-7	09103-12120	109A-30
03541-0516B	433A-4	08316-1006B	536A-3	09106-05026	420A-6
03541-0520A	155A-6	08316-1008A	541A-22		422A-16
	155A-18	08316-1008B	350B-27	09106-06073	107A-14
03541-0525B	155A-23	08319-2106A	467A-5		178A-10
04111-2015A	558A-34		467A-10	09106-06075	109A-14
04211-09149	109A-8	08319-3105B	460C-10	09106-07021	102A-4
	113A-3	08319-3108A	524A-17	09106-08105	401A-5
	113A-10	08319-3110A	550A-20	09106-08121	417A-21
	114A-10	08321-0105B	460C-11	09106-08147	415A-10
	114A-20	08322-0106A	103A-16	09106-08156	410A-2
04211-09189	114A-4		558A-33	09106-08160	550A-8
04211-11169	103A-7	08331-3112A	116A-20	09106-08162	163A-13
	107A-7	08331-3114A	212A-21	09106-08195	163A-20
04221-04089	120A-3	08331-31169	407A-11	09106-08204	530A-10
	212A-6	08332-1106A	415A-18	09106-08206	507A-3
04221-07209	206A-17		417A-10	09106-10069	103A-23
	206A-41		417A-20	09106-10084	103A-24
06111-08004	417A-9	08361-2508B	163A-24	09106-12003	407A-7
	417A-19	08361-3506A	301A-16	09108-05007	109A-39
07120-0612A	109A-19	09100-06099	180A-12	09111-06041	212A-17
	109A-28	09100-08287	541A-21	09111-06072	474A-12
	350B-29	09103-06188	109A-24	09111-06085	187A-23
07120-0616A	172A-16	09103-06236	206A-50	09111-06107	481A-18
07120-0655B	103A-11	09103-06266	103A-2	09111-06242	474A-13
07120-0695A	425A-10	09103-06286	124A-11	09111-10059	407A-2
07120-1025A	401A-3	09103-06293	103A-3	09116-06111	541A-15
07130-0512A	303A-6	09103-06297	116A-24	09116-06171	422A-17
	550A-6	09103-06528	114A-11	09116-06185	140A-36
07130-0516A	433A-19		114A-21	09116-06186	330A-7
07130-0612A	127A-4	09103-06529	113A-4	09116-06188	339A-4
07130-0616A	312E-9		114A-5	09118-06097	178A-2
07130-0620A	124A-10	09103-06530	114A-12		185A-3
07130-0625A	127A-11		114A-22	09118-08152-A05	163A-6
	201A-32	09103-06532	109A-35	09125-05042	462A-18
07130-0635A	303A-7	09103-06536	113A-11	09125-06073	541A-6
07130-0816B	109A-15	09103-06550	534A-9	09126-06011	212A-10
07130-0825A	163A-3		534A-13	09128-06013	312E-4
08211-06141	212A-15	09103-08155	108A-11	09136-05062	333A-2
08211-10285	122A-8	09103-08355	108A-12		334A-5
08211-12301	543A-6	09103-08357	350B-26		334A-10
08211-20403	122A-9	09103-08391	524A-18		339A-5
08211-25481	541A-8	09103-08572	482A-7	09136-06126	445A-21
08211-30405	206A-42	09103-09008	108A-13	09139-05091	453A-13
08310-00067	301A-14	09103-09010	108A-14		453A-21
08316-1005A	339A-2	09103-10033	543A-18	09139-05092	415A-12
08316-1005B	339A-13	09103-10143	543A-19		422A-18
08316-1006A	107A-6	09103-10189	122A-10	09139-05104	481A-16
	427B-11	09103-12028	303A-4	09139-06028	558A-11

PART NO.	FIG.NO.-REF.NO.	PART NO.	FIG.NO.-REF.NO.	PART NO.	FIG.NO.-REF.NO.	PART NO.	FIG.NO.-REF.NO.	PART NO.	FIG.NO.-REF.NO.	PART NO.	FIG.NO.-REF.NO.
09139-06063	113A-8	09161-17002	415A-14	09181-25223	201A-18	09280-33004	114A-15	09381-18002	120A-13		453A-23
09139-06122	163A-16	09164-06006	180A-8	09181-27014	206A-9	09283-06003	113A-13	09390-62012	206A-16		483A-10
	163A-19	09164-14008	122A-5	09200-06037	558A-32	09283-06013	201A-25	09401-08411	187A-24	09420-04008	303A-8
09139-06158	480A-9	09164-24008	201A-19	09206-08007	103A-4	09283-14005	212A-26	09401-10201-XC0	427B-14	09440-06039	417A-7
09139-06181	422A-19	09167-30008	206A-30	09208-08019	415A-15	09283-42018	206A-37	09401-10409	187A-11		417A-17
09139-06191	425A-6		206A-31		417A-6	09284-37002	550A-4	09401-11413	427B-12	09440-17009	212A-25
	425A-7		206A-32		417A-16	09285-20006	206A-12	09401-12404	558A-21	09443-06012	350B-24
09139-06196	433A-12	09168-06023	103A-12	09229-04020	482A-9	09285-32004	530A-4	09401-12414	187A-10	09443-13032	407A-12
09139-06206	433A-13		109A-20	09247-14036	116A-6	09285-39001	550A-17	09401-14101	155A-9	09443-14068	407A-4
	483A-6		109A-29	09248-10010	109A-17	09289-05011	126A-10	09401-14301	155A-11	09443-19015	407A-5
09139-06220	474A-14		114A-13	09248-14011	109A-26	09319-08045	415A-16	09401-16401	155A-10	09462-00007	312E-13
09139-06225	541A-18		116A-5	09248-16012	103A-17	09320-08028	433A-15	09401-17201	189A-12	09481-07504	350B-2
09139-06236	460C-5	09168-06025	180A-3		109A-22		482A-10	09401-18101	189A-11	09481-10504	350B-3
09139-06238	164A-7	09168-06026	187A-16		114A-16		483A-8	09401-29001	187A-12	09481-15504	350B-4
09140-06020	212A-38	09168-08016	108A-7	09250-06017	474A-15		164A-3	09402-60208	103A-21	09481-30501	312E-3
09140-06025	212A-36		109A-16	09259-36021	114A-14		164A-6	09403-06324	558A-23	09481-30504	350B-5
09148-05038	433A-14	09168-08034	127A-14	09261-05006	116A-19		164A-8	09403-07344	462A-19	09482-00555	103A-19-5
	434A-9	09168-10002	109A-18	09262-25006	212A-8	09320-08071	425A-8		536A-11	09482-00556	103A-19-3
	483A-7	09168-10007	107A-11	09262-25191	530A-3	09320-08514	113A-12	09403-11321	539A-21	09482-00557	103A-19-2
	485A-17	09168-10031	108A-15	09262-28062	550A-3	09320-09016	113A-6	09404-06429	116A-23	09482-00558	103A-19-1
09148-05047	480A-4	09168-12017	103A-28	09262-32024	550A-16		433A-16		350B-15	09482-00559	103A-19-6
	480A-10	09168-14002	109A-27	09263-14027	212A-19		433A-17	09407-05406	420A-14	09482-00560	103A-19-4
09148-05052	422A-20		116A-7	09263-15003	201A-22		460C-6	09407-11401	350B-16	09493-20012	109A-25
	434A-10		127A-16	09263-17053	541A-4		483A-9	09407-14407	350B-17	09493-40004	109A-34
	482A-1	09168-14015	107A-15		543A-3	09320-09059	333A-5	09407-17403	350B-18	09814-00015	474A-20
09159-05019	483A-1	09168-16002	109A-23	09263-17057	543A-4	09320-10050	422A-21	09407-18402	127A-17	09814-00016	474A-21
09159-06086	407A-3		114A-17	09263-19017	124A-5	09320-10051	178A-4	09407-19401	350B-19		
09159-10103	543A-20	09168-16009	103A-18	09263-20117	206A-10		185A-5	09407-19408	350B-20		
09159-10115	109A-32	09169-06062	113A-7	09263-20118	206A-35	09320-10055	140A-37	09407-38402	350B-21		
09159-12056	543A-8	09169-08049	410A-6	09263-20121	543A-2	09320-10073	339A-2	09408-00184	534A-16		
	543A-11	09169-21001	124A-7	09263-24030	206A-21	09320-12049	163A-22	09408-00200	140A-43		
	543A-16	09180-06120	433A-10	09263-25018	212A-7	09320-12097	163A-8	09408-00241	534A-17		
09159-22008	206A-48	09180-06261	187A-6	09263-28040	122A-7	09321-10011	505A-4	09408-00259	534A-18		
09159-24010	201A-20	09180-06263	339A-9	09263-30040	541A-3	09352-11154-010	420A-13	09409-06314	422A-22		
09159-25003	541A-13	09180-06288	445A-22	09263-35013	201A-3	09352-30504-600	178A-13		445A-23		
09160-05045	339A-10	09180-06290	178A-3	09267-25012	206A-11	09352-50901-600	187A-21		453A-5		
09160-08158	410A-3		185A-4	09267-30010	524A-3	09360-10042	558A-30		453A-14		
09160-08162	163A-21	09180-06306	541A-16		524A-9	09360-10053	536A-10		453A-22		
09160-10144	212A-30	09180-06307	534A-4	09267-30011	206A-36		539A-19		480A-5		
09160-12036	303A-5	09180-06310	339A-3	09269-08003	524A-15	09360-10062	107A-10		480A-11		
09160-15045	201A-23	09180-06319	140A-38	09280-04004	109A-13		539A-18		480A-15		
09160-16057	407A-9	09180-06331	534A-5	09280-12012	107A-13	09360-14012	107A-12		481A-13		
09160-25070	541A-12	09180-06381	109A-36	09280-13004	116A-12	09362-09011	187A-9		481A-23		
	550A-10	09180-08152	163A-7	09280-15015	178A-9	09367-06009	427B-13		485A-4		
09160-25073	201A-2		163A-23	09280-17003	114A-7	09380-27004	206A-13		485A-9		
09161-05010	481A-25	09180-08166	482A-8	09280-17007	124A-8	09380-27006	206A-14	09409-06328	453A-6		
09161-10009	536A-9	09181-12158	116A-18	09280-19008	116A-10		206A-15	09409-07333	541A-23		
	539A-20	09181-14195	212A-20	09280-20002	107A-3		206A-38	09409-08012	433A-3		
	558A-31	09181-20251	206A-33	09280-24003	301A-13	09380-30009	206A-39	09409-08326	422A-23		
09161-13004	415A-13	09181-24005	206A-34	09280-26005	212A-41		206A-40		453A-15		

SUZUKI GSX1300RRQM4 PARTS CATALOGUE

SUZUKI MOTOR CORPORATION All rights reserved

No part of this document may be reproduced or transmitted in any form or by any means, electronic or mechanical, for any purpose, without the express written permission of Suzuki Motor Corporation.

SUZUKI MOTOR CORPORATION

Service Material Development Group, Automobile & Motorcycle Service Engineering Dept.
300 Takatsuka, Minami, Hamamatsu, Japan

Copyright © SUZUKI MOTOR CORPORATION 2023 All Rights Reserved

SUZUKI MOTOR CORPORATION