



SUZUKI

PARTS CATALOGUE

GSX-S1000XRREM4

(EK14J)

E21



2023-9

1ST EDITION

PREFACE

When it becomes necessary to replace parts on SUZUKI MOTORCYCLES, always use SUZUKI GENUINE PARTS which have passed a strict inspection which guarantees quality and performance.

This parts catalogue covers the list of all service parts for SUZUKI GSX-S1000XRREM4.

INSTRUCTIONS FOR QUOTING THE CATALOGUE

1. DIMENSIONS

Dimensions of the parts in this catalogue are indicated in unit millimeters.

2. ABBREVIATIONS

Abbreviations used in this catalogue are as follows:

AR	: As required	NT	: Number of teeth
ASSY	: Assembly	OPT	: Optional
E. NO.	: Engine number	OS	: Over size
F. NO.	: Frame number	STD	: Standard
D	: Diameter of material	T	: Thickness
ID	: Inside diameter	US	: Under size
OD	: Outside diameter	W	: Width
L	: Length		
LH	: Left hand side		
RH	: Right hand side		
~100045	: Up to F. NO. A100-100045		
100046~	: From F. NO. A100-100046		
12 x 34 x 5.6.....	Figures in the description column		
	show the dimensions of parts.		
ID OD T(or W, L)			

→12345-56781 (Parts No.) : indicates that the parts number was changed to 12345-56781 and the new parts are interchangeable with the former ones but the former ones are not interchangeable with new ones.

←12345-56781 (Parts No.) : indicates that the former and new parts are interchangeable with each other and both are usable.

3. INNER PARTS OF ASSEMBLY

Part name with a dot (.) in front as shown in the description column indicates the component of the assembly also available individually.

4. MODIFICATION NOTICE

A parts bulletin will be sent to you on all occasions when changes in parts occur, including interchangeable modifications between new parts and old ones.

5. NOTE

5-1. There are some different parts from those of production models among spare parts for the administrative reasons and common use of them with other models.

5-2. In respect of rubber hoses and vinyl tubes, please be sure to use them by cutting off according to the length mentioned on parts catalogue or what is actually required on the vehicle.

5-3. Note that the drawings on the illustration page are for ready reference of spare parts number, not to be used as an assembly manual.
When assembling, use "SUZUKI SERVICE MANUAL".

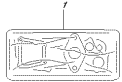
6. SPECIFICATION CODE

This catalogue contains the parts for the model designed for the following spec. ;
spec. code : E21.

7. SERIAL FRAME NUMBER

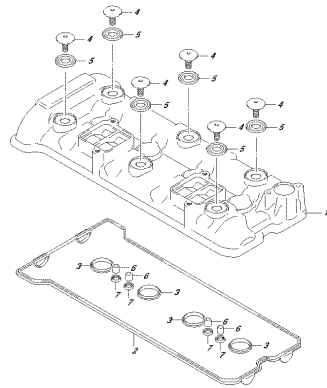
GSX-S1000XRREM4 : JS1EK14JZR7100040~

FIG. 101A



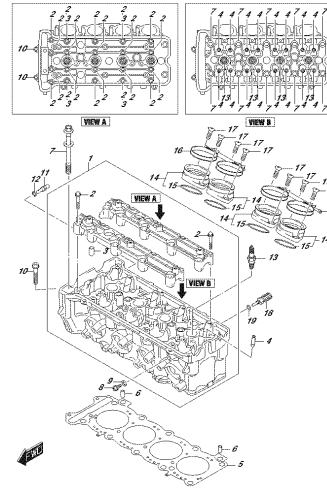
OSK-G102009REAL_EZ_101A
CDAKHE1227

FIG. 102A



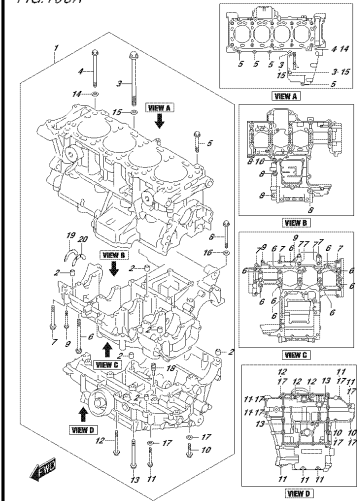
OSK-G102009REAL_EZ_102A
CDAKHE1210M57

FIG. 103A



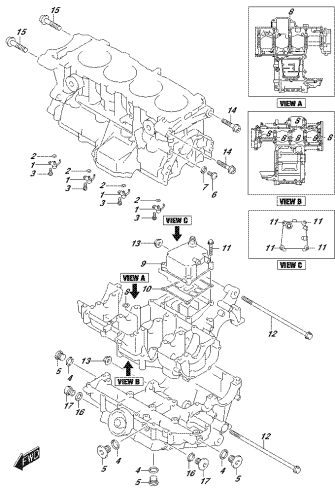
OSK-G102009REAL_EZ_103A
CDAKHE1210M57

FIG. 108A



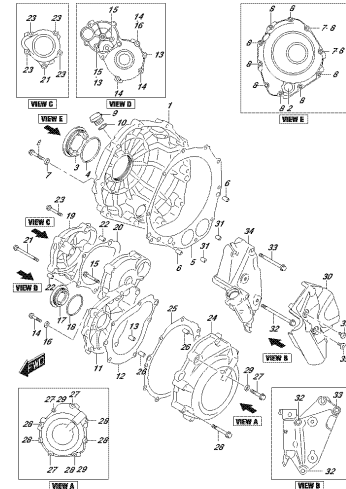
OSK-G102009REAL_EZ_108A
CDAKHE1206

FIG. 109A



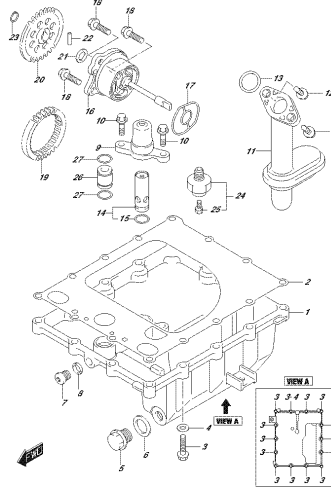
OSK-G102009REAL_EZ_109A
CDAKHE1211

FIG. 112A



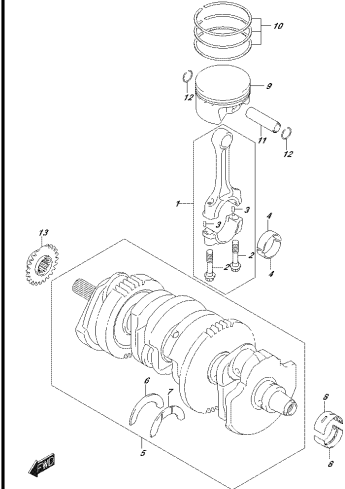
OSK-G102009REAL_EZ_112A
CDAKHE123M57

FIG. 116A



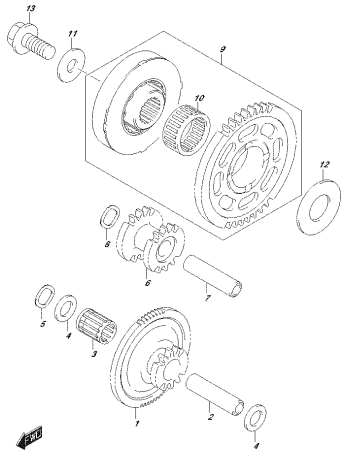
OSK-G102009REAL_EZ_116A
DL PAVKHE 12M57

FIG. 120A



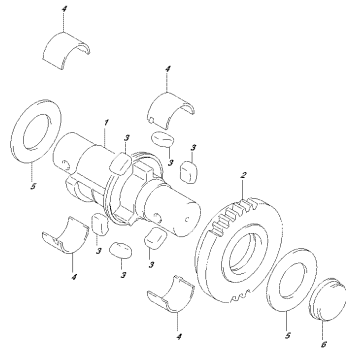
OSK-G102009REAL_EZ_120A
CDAKHE12M57

FIG. 122A



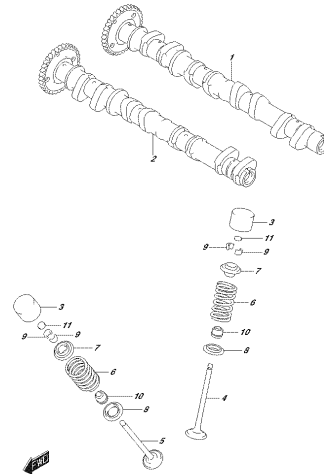
OSK-G102009REAL_EZ_122A
OSKREB.CC.1027

FIG. 124A



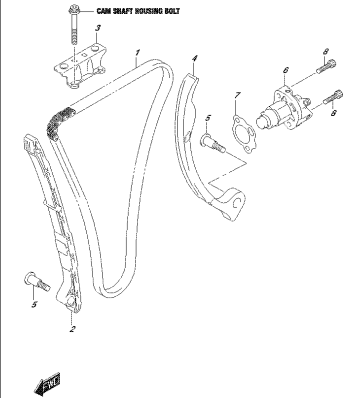
OSK-G102009REAL_EZ_124A
OSKREB.CC.142271

FIG. 126A



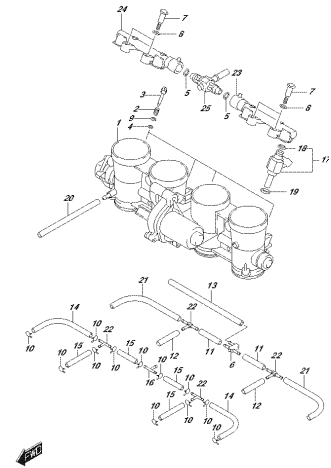
OSK-G102009REAL_EZ_126A
OSKREB.CC.14271E

FIG. 127A



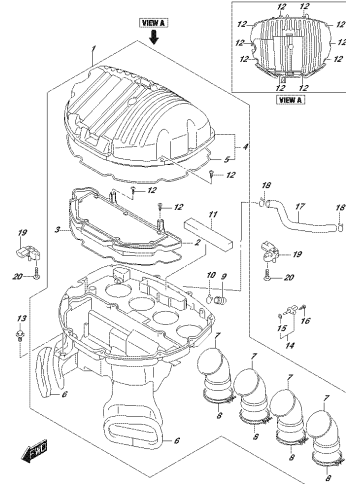
OSK-G102009REAL_EZ_127A
OSKREB.CC.14271E

FIG. 140A



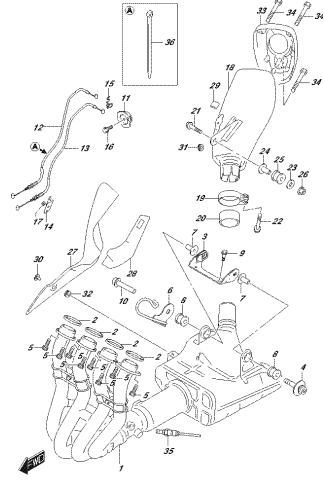
OSK-G102009REAL_EZ_140A
PARCITTE.03027

FIG. 155A



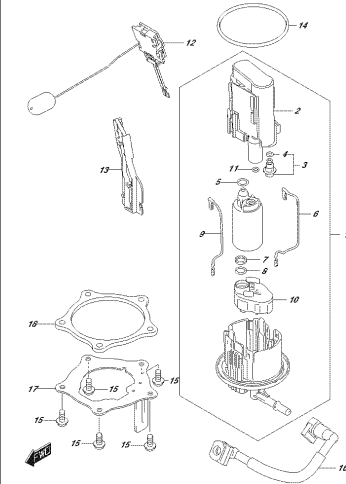
OSK-G102009REAL_EZ_155A
ARICLERXER

FIG. 163A



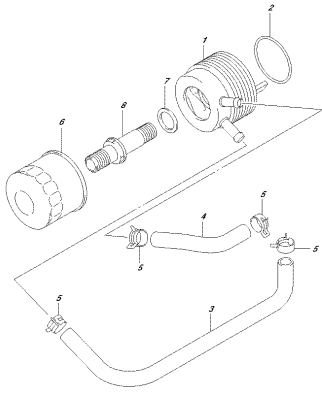
OSK-G102009REAL_EZ_163A
BUFFLER

FIG. 172A



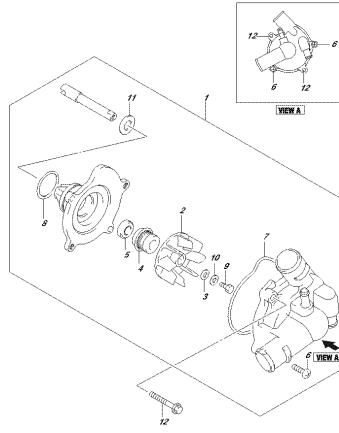
OSK-G102009REAL_EZ_172A
FUEL PUMP

FIG. 178A



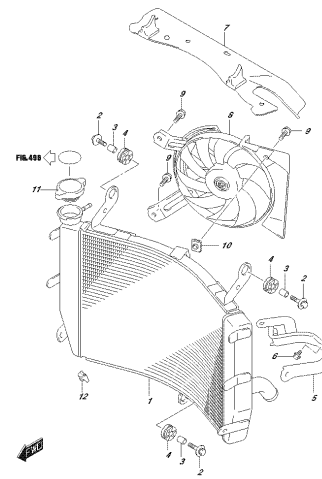
ISX-G 10200RE/MAL_EZ_178A
CE CO2LDF

FIG. 180A



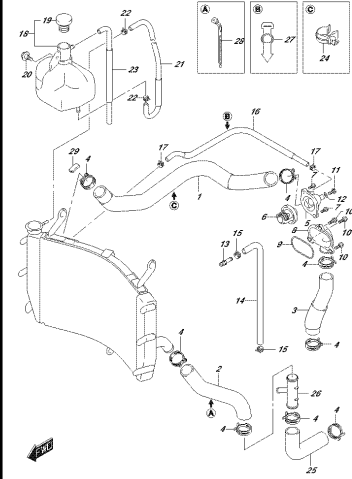
ISX-G 10200RE/MAL_EZ_180A
HREDFPLMFP

FIG. 185A



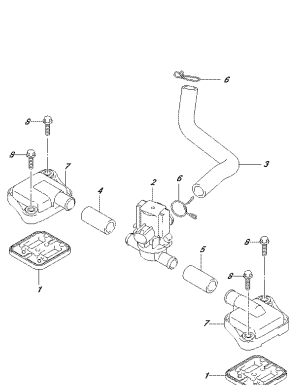
ISX-G 10200RE/MAL_EZ_185A
F06KMTDF

FIG. 187A



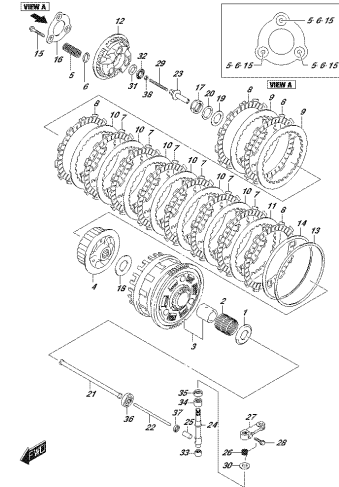
ISX-G 10200RE/MAL_EZ_187A
F06KMTDF02E

FIG. 189A



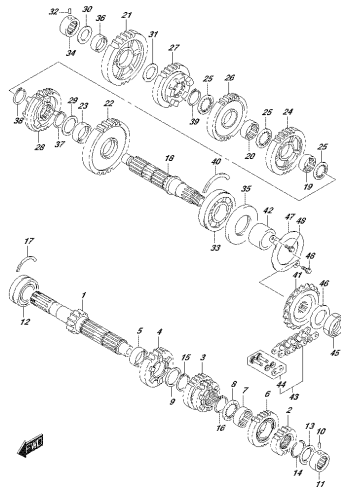
ISX-G 10200RE/MAL_EZ_189A
3RD-4R

FIG. 201A



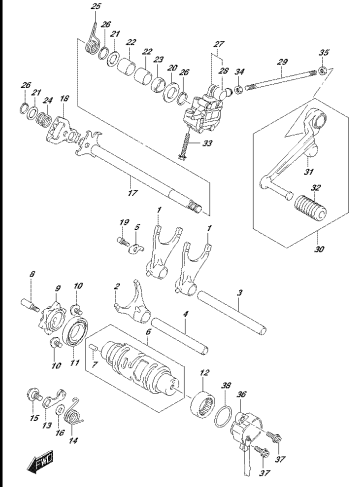
ISX-G 10200RE/MAL_EZ_201A
CLUTCH

FIG. 206A



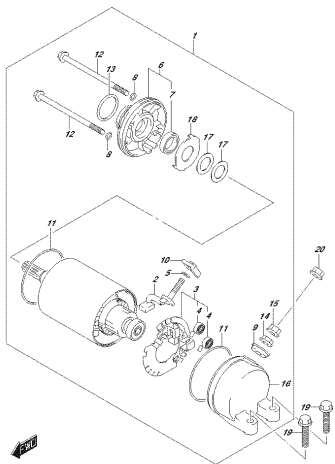
ISX-G 10200RE/MAL_EZ_206A
TR4618SSD2V

FIG. 212A



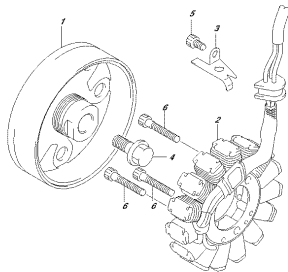
ISX-G 10200RE/MAL_EZ_212A
DEAR SHFTV

FIG.301A



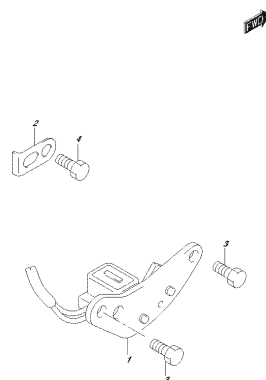
DSK-G10200REAMEL_E2_301A
DSK89916V1C029

FIG.304A



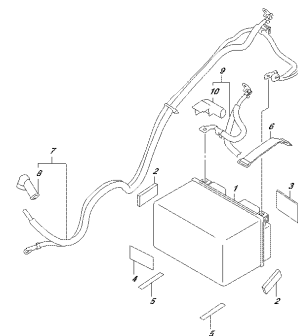
DSK-G10200REAMEL_E2_304A
DSK89916V1C030

FIG.306A



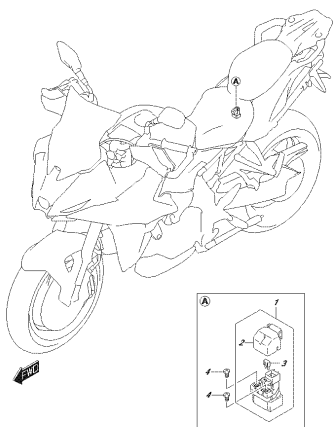
DSK-G10200REAMEL_E2_306A
DSK89916V1C031

FIG.310A



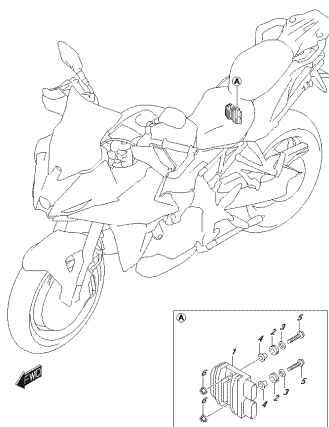
DSK-G10200REAMEL_E2_310A
DSK18157

FIG.311A



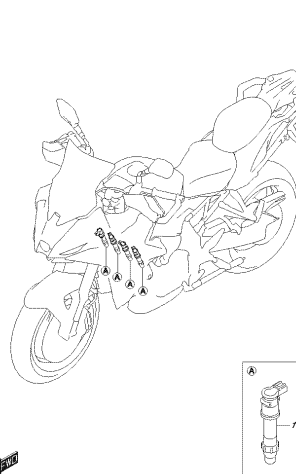
DSK-G10200REAMEL_E2_311A
DSK89916V1C032

FIG.313A



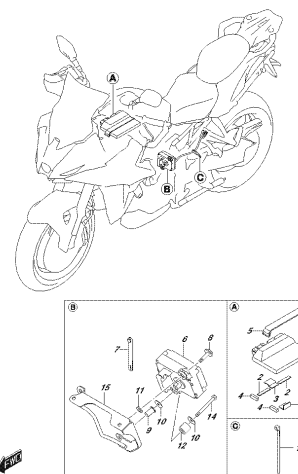
DSK-G10200REAMEL_E2_313A
REC 8199

FIG.316A



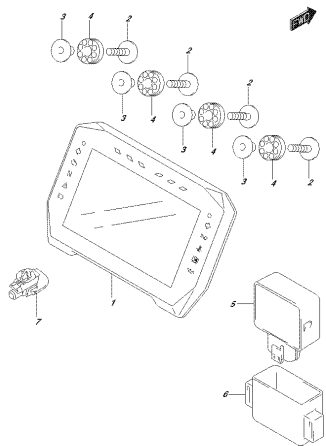
DSK-G10200REAMEL_E2_316A
KXV170V1C02

FIG.322A



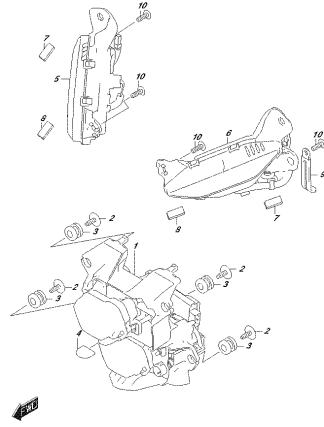
DSK-G10200REAMEL_E2_322A
ELECTRICPLATECONTROL UNIT

FIG.330A



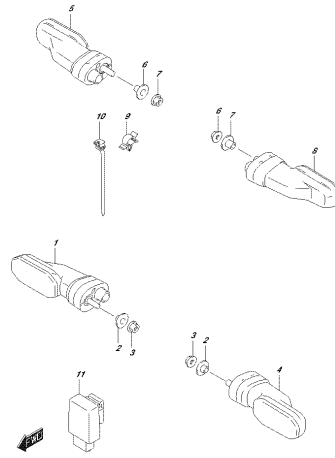
OSKYG102009REAL_EI2_330A
SPEEDOMETER

FIG.333A



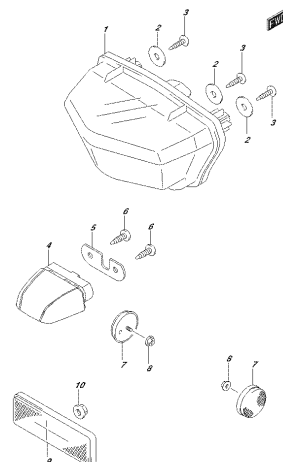
OSKYG102009REAL_EI2_333A
HEADLAMP

FIG.334A



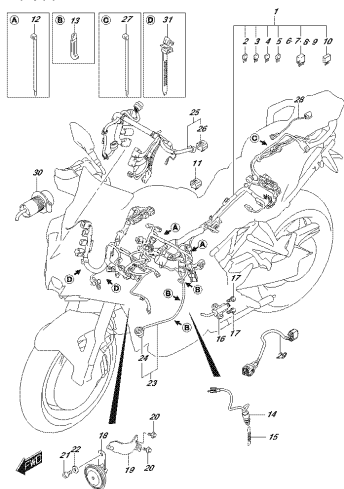
OSKYG102009REAL_EI2_334A
TURN SIGNAL LAMP

FIG.339A



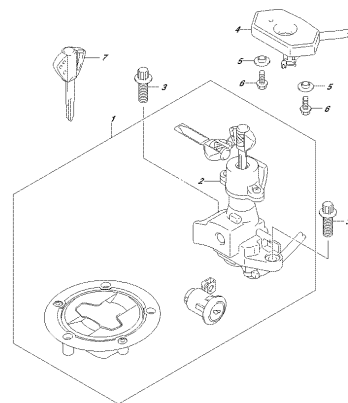
OSKYG102009REAL_EI2_339A
REARVIEW MIRROR LAMP

FIG.350A



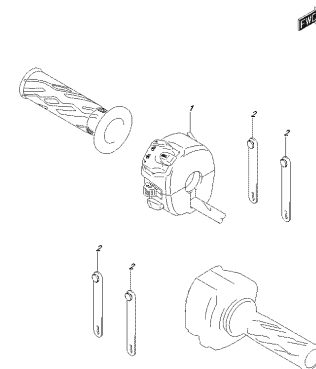
OSKYG102009REAL_EI2_350A
HANDLEBARSS

FIG.352A



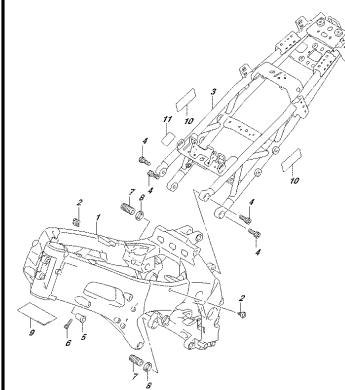
OSKYG102009REAL_EI2_352A
LOCK SET

FIG.355A



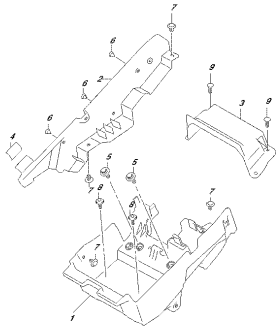
OSKYG102009REAL_EI2_355A
HANDLE SWITCH

FIG.401A



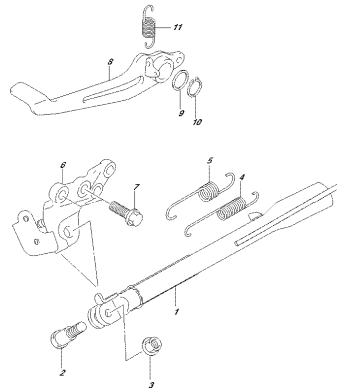
OSKYG102009REAL_EI2_401A
FRAME

FIG.406A



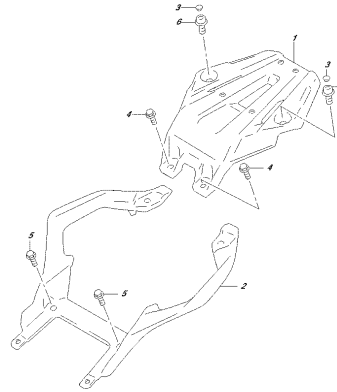
OSK-G10200RE/MAL_EZ_406A
KOLLEKT

FIG.407A



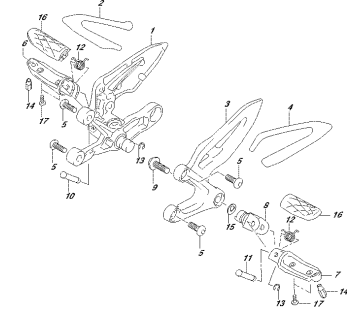
OSK-G10200RE/MAL_EZ_407A
SCHWED

FIG.412A



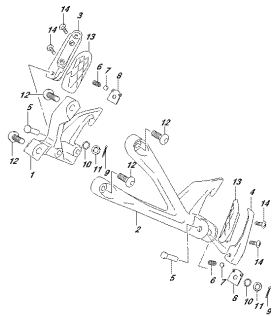
OSK-G10200RE/MAL_EZ_412A
CHARBIER

FIG.415A



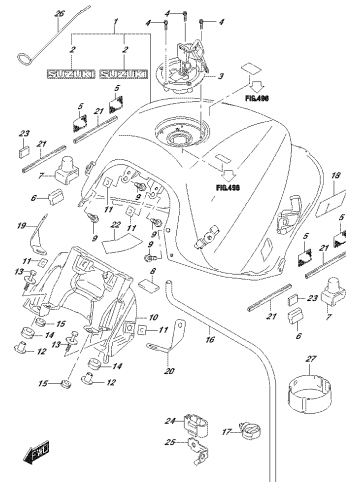
OSK-G10200RE/MAL_EZ_415A
FOOTREST

FIG.417A



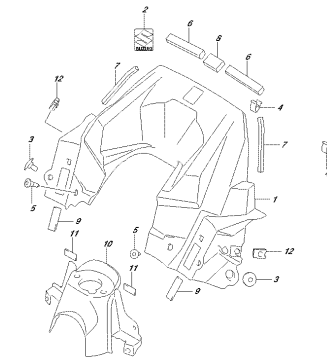
OSK-G10200RE/MAL_EZ_417A
FUELDRAH

FIG.420A



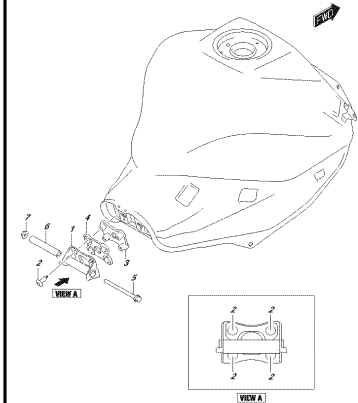
OSK-G10200RE/MAL_EZ_420A
FUELDRAH

FIG.422A



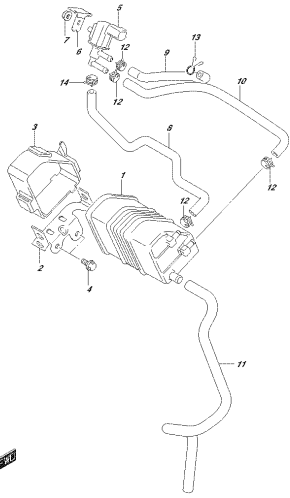
OSK-G10200RE/MAL_EZ_422A
FUELDRAH (RECHT) (LINKS)

FIG.425A



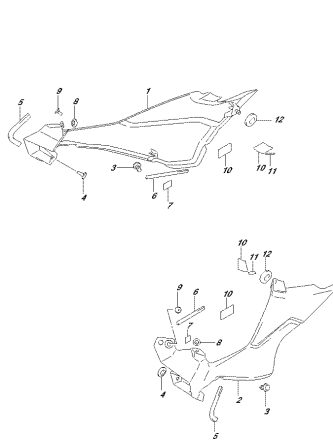
OSK-G10200RE/MAL_EZ_425A
FUELDRAH (BRACHE)

FIG. 427A



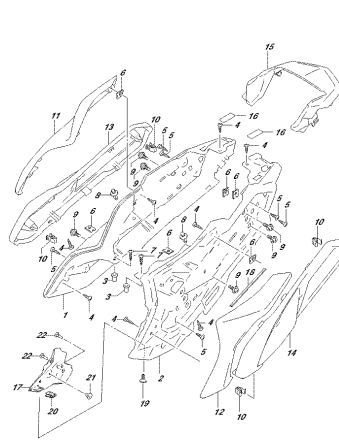
USK-G 102009REAL_EL_427A
CSMF 010726

FIG. 433A



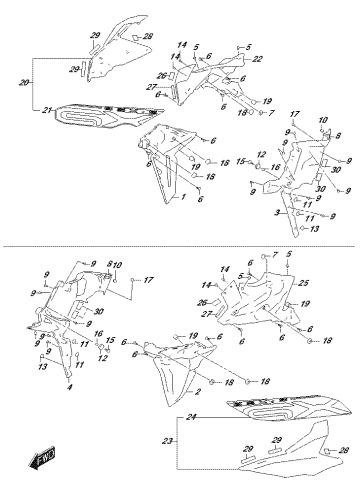
USK-G 102009REAL_EL_433A
SDE 020497

FIG. 434A



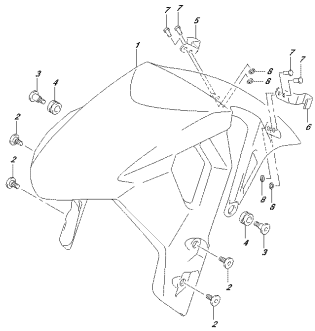
USK-G 102009REAL_EL_434A
SDE REAR000267

FIG. 447A



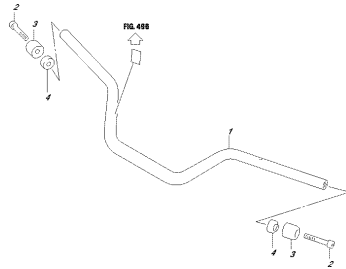
USK-G 10016999REAL_EL_447A
FR4463201 020201

FIG. 460A



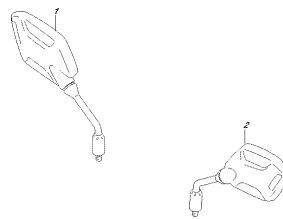
USK-G 102009REAL_EL_460A
FRONT FENDER

FIG. 462A



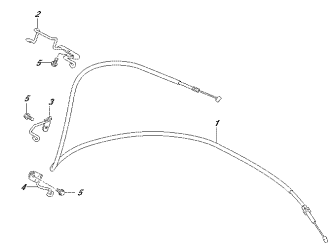
USK-G 102009REAL_EL_462A
HANDLEBAR

FIG. 464A



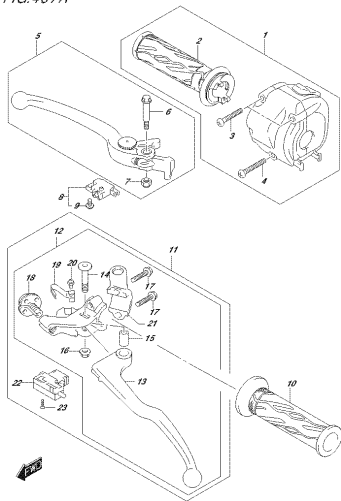
USK-G 102009REAL_EL_464A
REARVIEW MIRROR

FIG. 466A



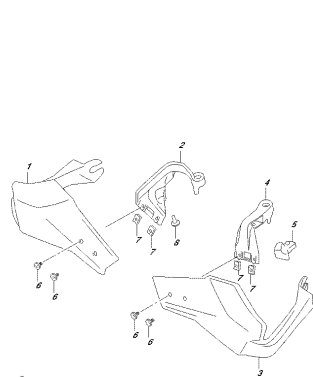
USK-G 102009REAL_EL_466A
CONTROL CABLE

FIG.467A



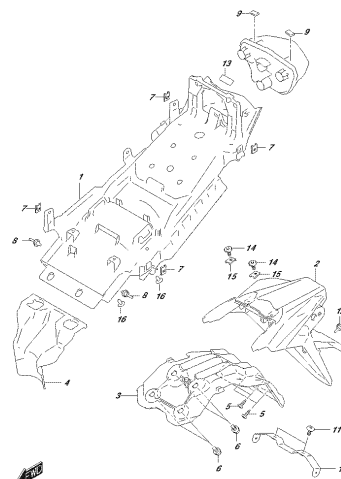
OSKY/102009REAL_E2_467A
HAKKILECEREP

FIG.472A



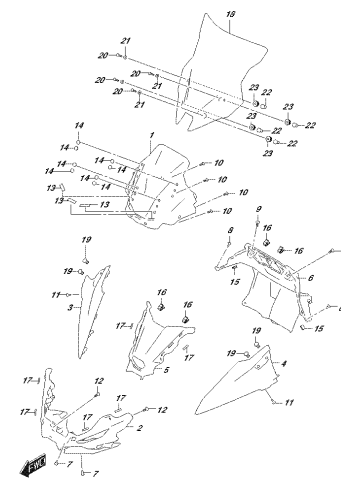
OSKY/102009REAL_E2_472A
HAKKILECEREP

FIG.474A



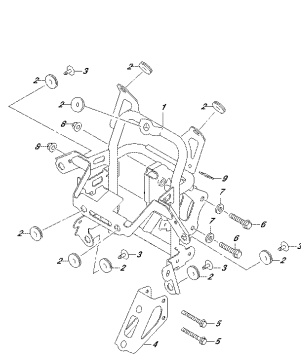
OSKY/102009REAL_E2_474A
HAKKILECEREP

FIG.481A



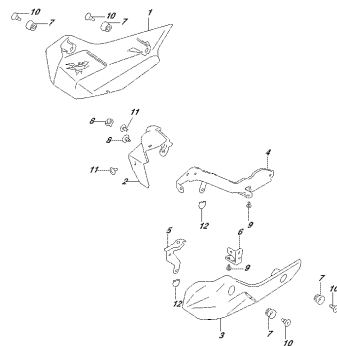
OSKY/102009REAL_E2_481A
COMBIRI/ZEZEP

FIG.482A



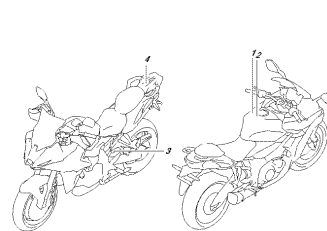
OSKY/102009REAL_E2_482A
COMBIRI/ZEZEP/PAKISS

FIG.483A



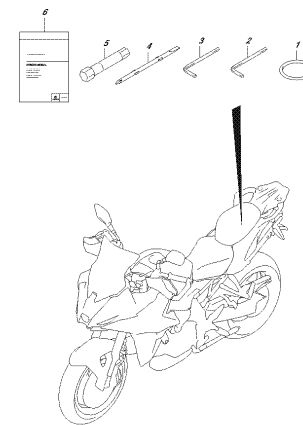
OSKY/102009REAL_E2_483A
LACER/COMBIRI

FIG.496A



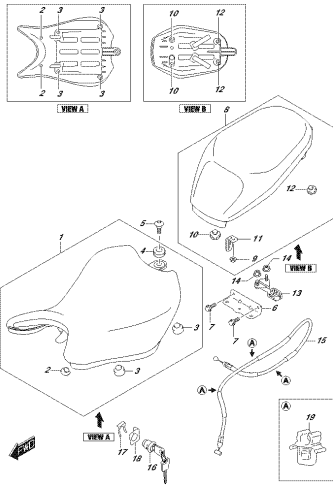
OSKY/102009REAL_E2_496A
LACER

FIG.497A



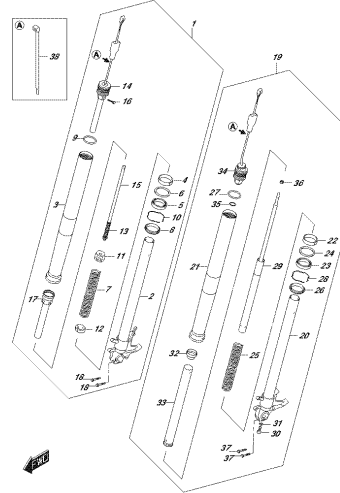
OSKY/102009REAL_E2_497A
HAKKILECEREP

FIG.505A



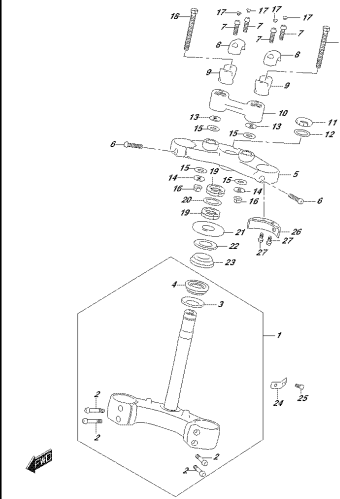
OSK-G102009REAL_E3_505A
SEAT

FIG.521A



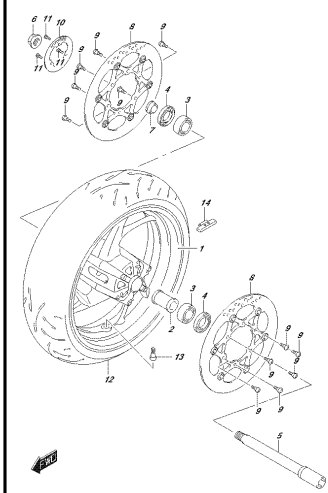
OSK-G102009REAL_E3_521A
FRONT FORK (SHIM)

FIG.524A



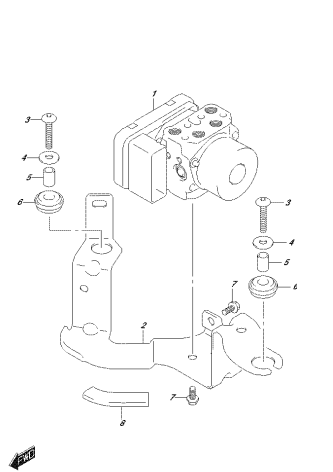
OSK-G102009REAL_E3_524A
STEERING STEM

FIG.530A



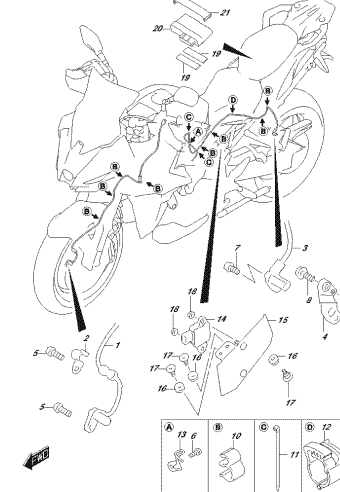
OSK-G102009REAL_E3_530A
FRONT WHEEL

FIG.533A



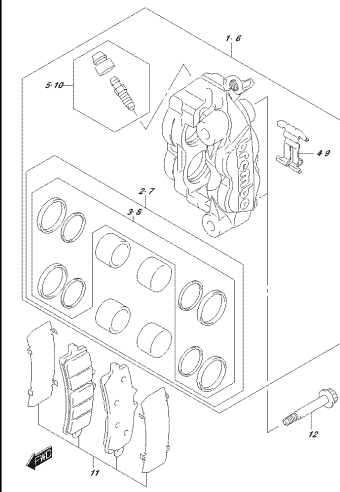
OSK-G102009REAL_E3_533A
HYDRAULIC UNIT

FIG.534A



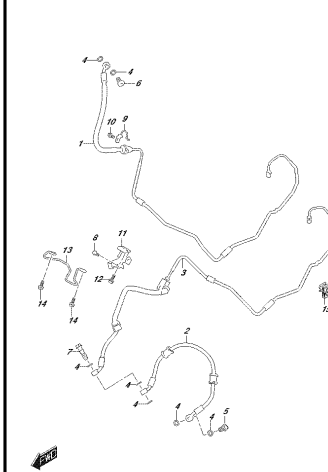
OSK-G102009REAL_E3_534A
FRONT ELECTRICAL

FIG.535A



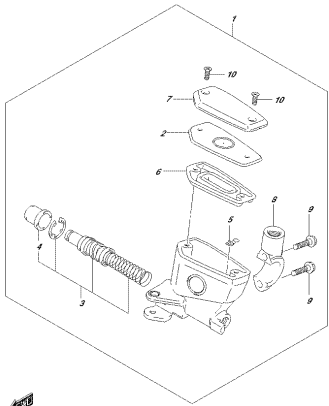
OSK-G102009REAL_E3_535A
FRONT FAIRING

FIG.536A



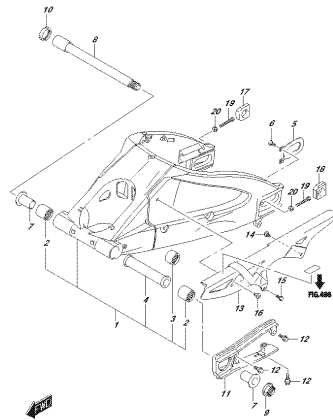
OSK-G102009REAL_E3_536A
FRONT BRAKE HOSE

FIG.537A



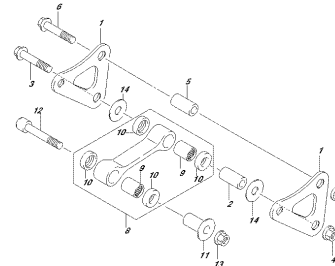
OSK-G102009REAL_EUR_537A
REAR WHEEL HUB

FIG.541A



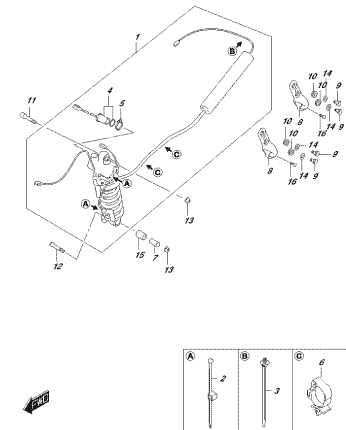
OSK-G102009REAL_EUR_541A
REAR WHEEL HUB

FIG.543A



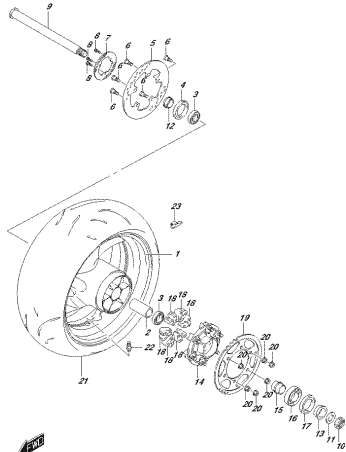
OSK-G102009REAL_EUR_543A
REAR WHEEL HUB

FIG.545A



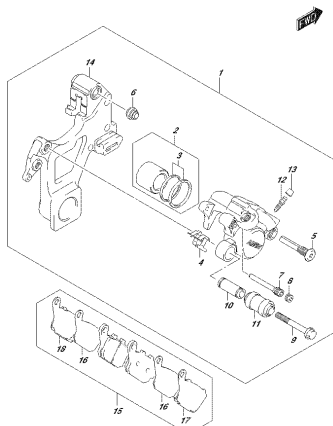
OSK-G102009REAL_EUR_545A
REAR WHEEL HUB

FIG.550A



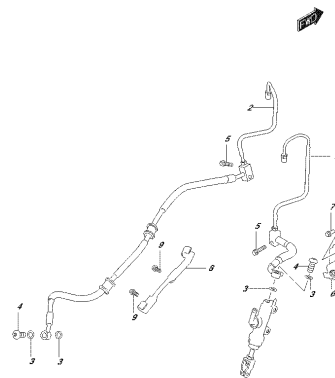
OSK-G102009REAL_EUR_550A
REAR WHEEL

FIG.555A



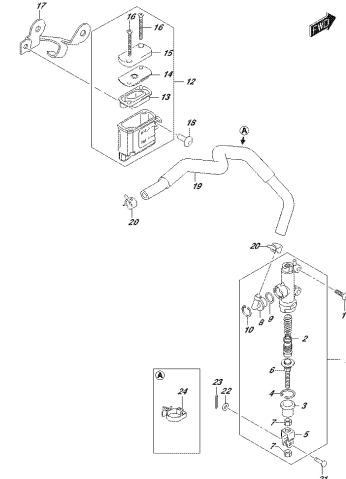
OSK-G102009REAL_EUR_555A
REAR WHEEL

FIG.557A



OSK-G102009REAL_EUR_557A
REAR WHEEL

FIG.558A



OSK-G102009REAL_EUR_558A
REAR WHEEL

FIG.101A

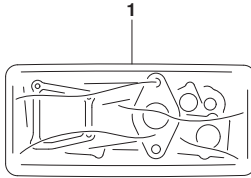


FIG.101A (1-B-2) GASKET SET

REF NO.	PART NO.	DESCRIPTION	QTY	REMARKS
1	11401-48890	GASKET SET	1	OPT
2	11141-21H00	.GASKET,CYLINDER HEAD	1	NOT ILLUSTRATED
3	11173-35F00	.GASKET,CYL HEAD COVER NO.1	1	NOT ILLUSTRATED
4	11178-33E00	.GASKET,CYL HEAD COVER NO.2	4	NOT ILLUSTRATED
5	11182-35F10	.GASKET,2ND AIR PASSAGE	4	NOT ILLUSTRATED
6	11191-27E00	.WASHER,CYL HEAD COVER (10.6X2 5.5X1.6)	6	NOT ILLUSTRATED
7	11482-40F10	.GASKET,CLUTCH COVER	1	NOT ILLUSTRATED
8	11491-33E02	.GASKET,STARTER CLUTCH COVER	1	NOT ILLUSTRATED
9	11492-04K00	.GASKET,START IDLE GR CAP	1	NOT ILLUSTRATED
10	11483-18G00	.GASKET,MAGNETO COVER	1	NOT ILLUSTRATED
11	11484-35F00	.GASKET,BREATHER COVER	1	NOT ILLUSTRATED
12	11489-21H00	.GASKET,OIL PAN	1	NOT ILLUSTRATED
13	12837-48K00	.GASKET,TENSIONER ADJUSTER	1	NOT ILLUSTRATED
14	14181-04K00	.GASKET,EXHAUST PIPE	4	NOT ILLUSTRATED

FIG.102A

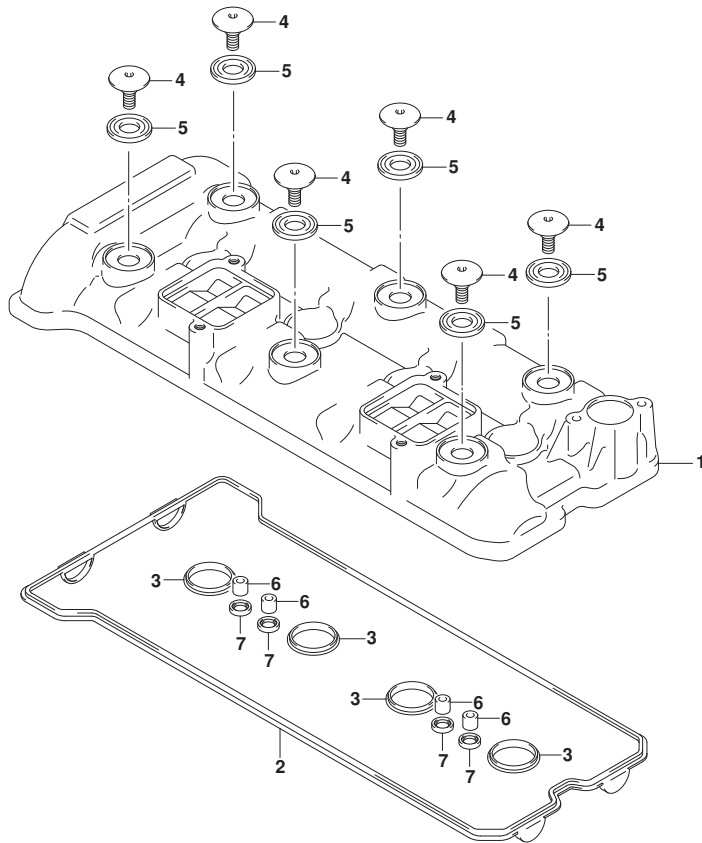


FIG.102A (1-B-3) CYLINDER HEAD COVER

REF NO.	PART NO.	DESCRIPTION	Q'TY	REMARKS
1	11171-04K00	COVER,CYLINDER HEAD	1	
2	11173-35F00	GASKET,CYL HEAD COVER NO.1	1	
3	11178-33E00	GASKET,CYL HEAD COVER NO.2	4	
4	09106-07021	BOLT (7X17.5)	6	
5	11191-27E00	WASHER,CYL HEAD COVER (10.6X25.5X1.6)	6	
6	09206-10016	PIN (8.2X10X13)	4	
7	11182-35F10	GASKET,2ND AIR PASSAGE	4	

FIG.103A

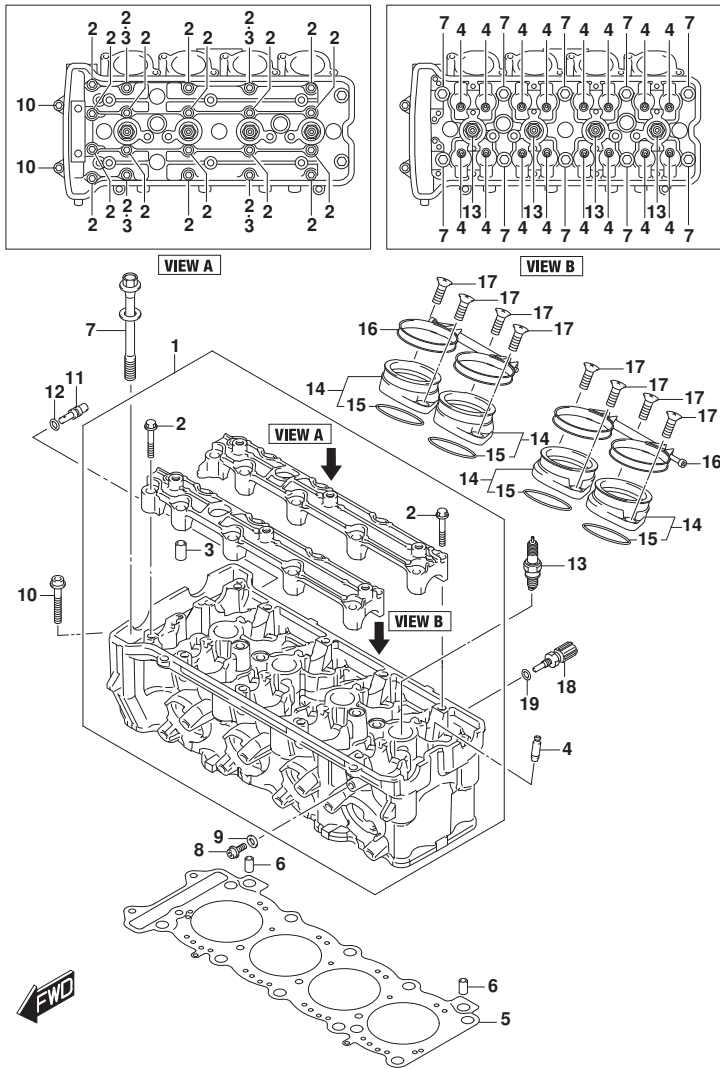


FIG.103A (1-B-4) CYLINDER HEAD

REF NO.	PART NO.	DESCRIPTION	Q'TY	REMARKS
1	11100-48K00	HEAD ASSY,CYLINDER	1	
2	09103-06266	.BOLT (6X40)	20	
3	09206-08007	.PIN (6.2X8X16)	4	
4	11115-29G70	GUIDE,VALVE (OS:0.3)	16	OPT
5	11141-21H00	GASKET,CYLINDER HEAD	1	
6	04211-11169	PIN	2	
7	11117-30G00	BOLT,CYLINDER HEAD (L:105)	10	
8	01550-0612A	BOLT	1	
9	09168-06023	GASKET (5.8X13X1.2)	1	
10	07120-0650A	BOLT	2	
11	09493-80005	JET (#8)	1	
12	09280-04004	O-RING (D:1.2,ID:4)	1	
13-1	#09482-00557	PLUG,SPARK (IU27D)	4	
13-2	#09482-00558	PLUG,SPARK (CR9EIA-9)	4	
13-3	#09482-00559	PLUG,SPARK (IU31D)	4	OPT
13-4	#09482-00560	PLUG,SPARK (CR10EIA-9)	4	OPT
14	13101-48K00	PIPE ASSY,INTAKE	4	
15	09280-48010	.O-RING (D:2.4,ID:47.2)	4	
16	13170-29G02	CLAMP,INTAKE PIPE	2	
17	02122-0616B	SCREW	8	
18	13650-49X00	SENSOR,TEMP	1	
19	09168-12017	GASKET (12X17X1)	1	

FIG.108A

FIG.108A (1-B-5) CRANKCASE

REF NO.	PART NO.	DESCRIPTION	Q'TY	REMARKS
1	11301-04860	CRANKCASE SET	1	
2	11319-33E50	.PIN,CRANKCASE	6	
3	09106-08198	.BOLT (8X120)	2	
4	01547-0680A	.BOLT	1	
5	01547-0640A	.BOLT	4	
6	09103-09012	.BOLT (9X95)	10	
7	09103-08027	.BOLT (8X55)	7	
8	07120-0865A	.BOLT	4	
9	01547-0640A	.BOLT	2	
10	01547-0630A	.BOLT	2	
11	01547-0640A	.BOLT	7	
12	01547-0660A	.BOLT	3	
13	01547-0670A	.BOLT	2	
14	09168-06023	.GASKET (5.8X13X1.2)	7	
15	09168-08016	.GASKET (8.2X14X1)	2	
16	09168-08016	.GASKET (8.2X14X1)	1	
17	09168-06023	.GASKET (5.8X13X1.2)	1	
18	09493-28012	.JET (#140)	1	
19	12228-48B00-0E0	.BEARING,CRANK THRUST	1	
20-1	12228-48B00-0B0	.BEARING,CRANK THRUST	1	
20-2	12228-48B00-0C0	.BEARING,CRANK THRUST	1	
20-3	12228-48B00-0D0	.BEARING,CRANK THRUST	1	
20-4	12228-48B00-0E0	.BEARING,CRANK THRUST	1	
20-5	12228-48B00-0F0	.BEARING,CRANK THRUST	1	
20-6	12228-48B00-0G0	.BEARING,CRANK THRUST	1	
20-7	12228-48B00-0H0	.BEARING,CRANK THRUST	1	

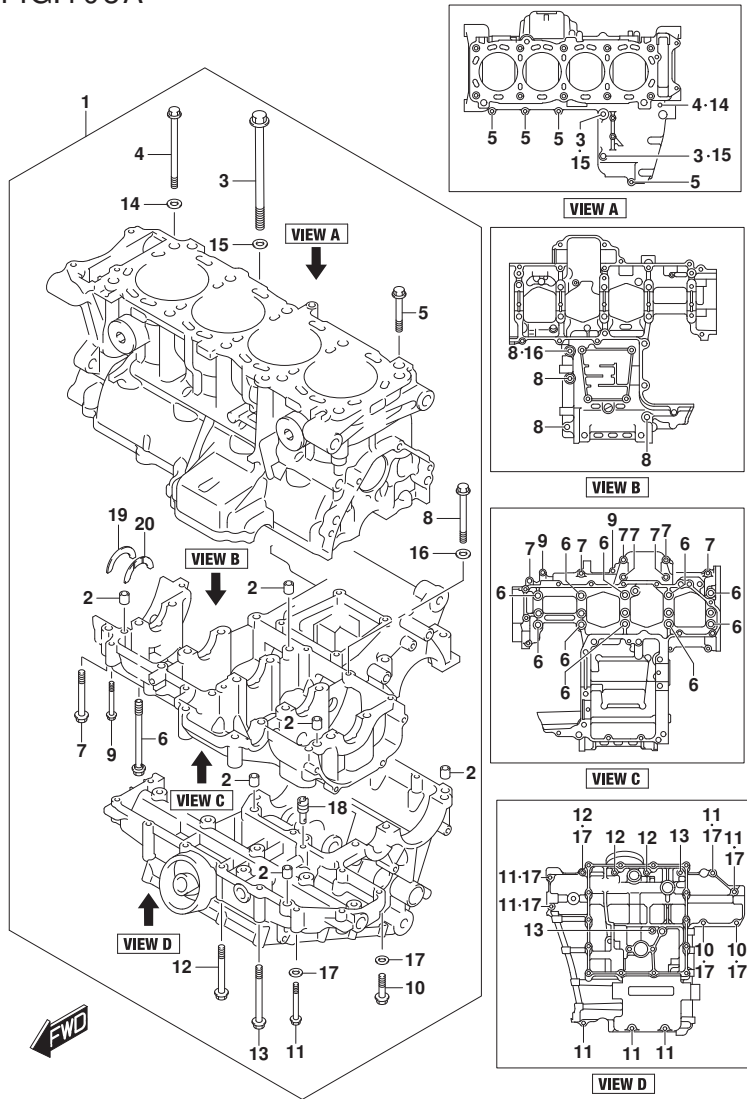


FIG.109A

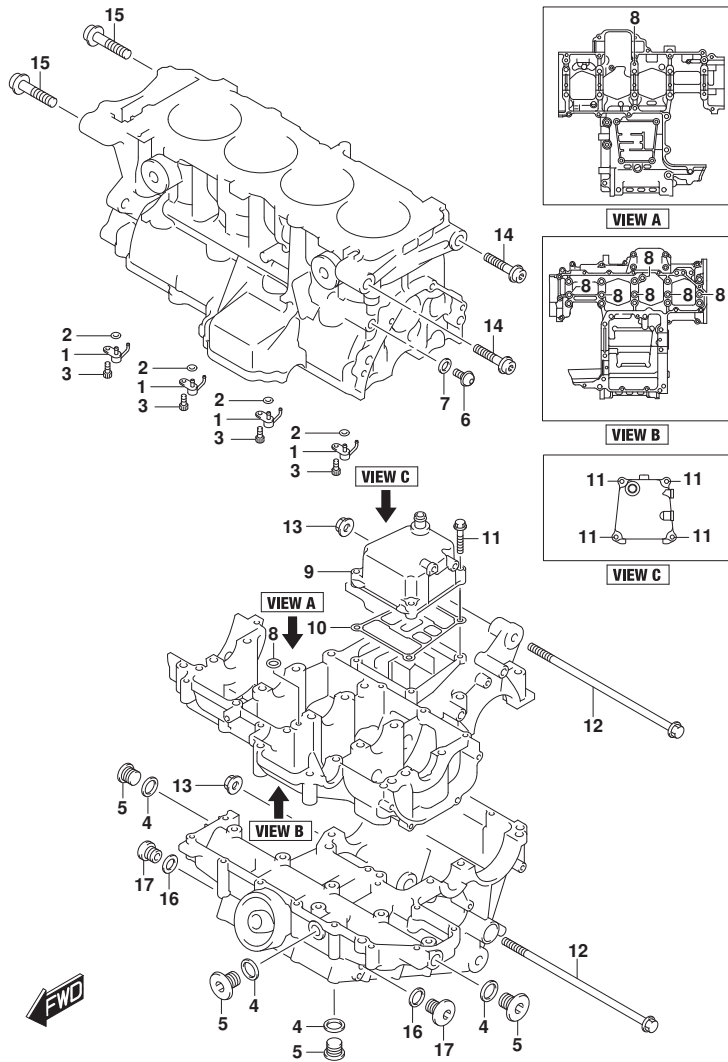
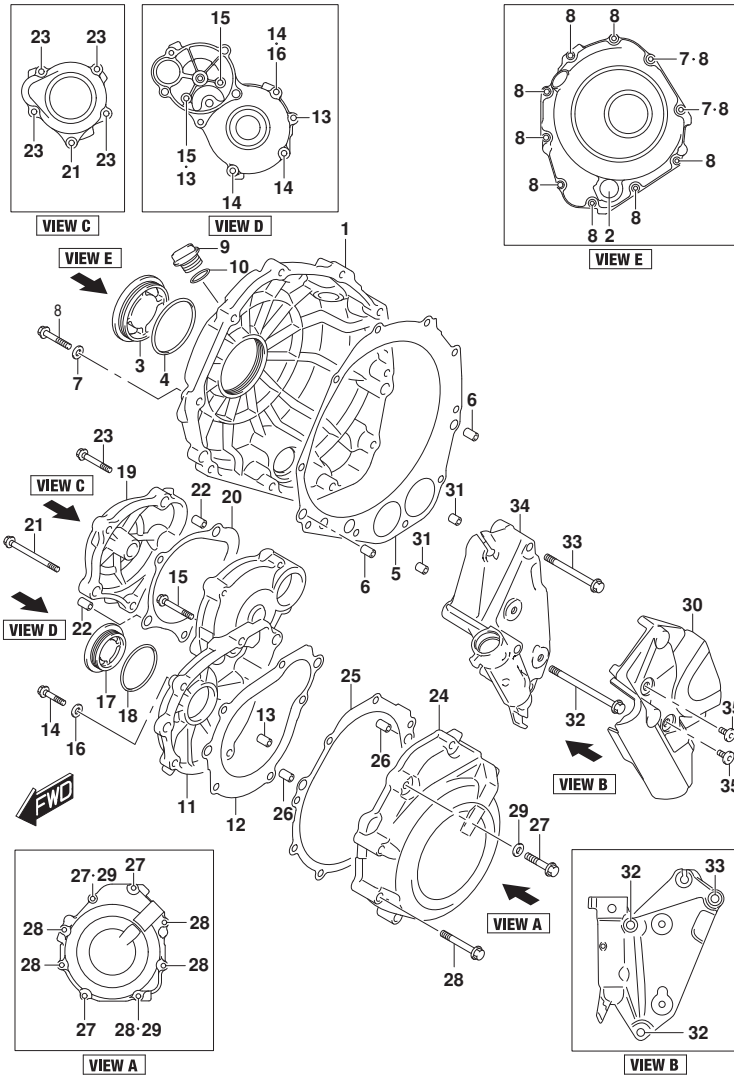


FIG.109A (1-B-6) CRANKCASE (2)

REF NO.	PART NO.	DESCRIPTION	Q'TY	REMARKS
1	11390-21H01	JET,PISTON COOLING	4	
2	09280-04004	O-RING (D:1.2,ID:4)	4	
3	09106-06075	BOLT (6X12)	4	
4	09168-16002	GASKET (16X22X2)	4	
5	09248-16013	PLUG (16X12)	4	
6	09248-10010	PLUG (10X10)	1	
7	09168-10002	GASKET (10X14X3.6)	1	
8	09280-08012	O-RING (D:1.9,ID:7.8)	7	
9	11370-04K00	COVER,BREATHER	1	
10	11484-35F00	GASKET,BREATHER COVER	1	
11	01547-0630A	BOLT	4	
12	09103-10205	BOLT (10X225)	2	
13	09159-10115	NUT (M10)	2	
14	09106-10069	BOLT (10X45)	2	
15	09106-10070	BOLT (10X55)	2	
16	09168-14002	GASKET (13.8X18.8X4.8)	2	
17	09248-14011	PLUG (14X12)	2	

FIG.112A



GSX-S1000XRREM4_E2_112A
CRANKCASE COVER

FIG.112A (1-B-7) CRANKCASE COVER

REF NO.	PART NO.	DESCRIPTION	Q'TY	REMARKS
1	11340-04K10	COVER,CLUTCH	1	
2	11971-33210	.LENS,OIL LEVEL CHECK	1	
3	11342-41G10	CAP,CLUTCH RELEASE ADJUST	1	
4	31156-17E00	O-RING (D:2.4,ID:52.6)	1	
5	11482-40F10	GASKET,CLUTCH COVER	1	
6	04211-09189	PIN	2	
7	09168-06023	GASKET (5.8X13X1.2)	2	
8	09103-06529	BOLT (6X30)	10	
9	11971-25D00	PLUG,ENGINE OIL FILLER	1	
10	09280-17003	O-RING (D:3.1,ID:16.8)	1	
11	11381-04K00	COVER,STARTER CLUTCH	1	
12	11491-33E02	GASKET,STARTER CLUTCH COVER	1	
13	04211-09149	PIN (8.5X18X2.3)	2	
14	09103-06528	BOLT (6X25)	3	
15	09103-06530	BOLT (L:35)	2	
16	09168-06023	GASKET (5.8X13X1.2)	1	
17	09259-36021	PLUG (36X10)	1	
18	09280-33004	O-RING (D:3.1,ID:32.7)	1	
19	11382-04K00	CAP,STARTER IDLE GEAR	1	
20	11492-04K00	GASKET,START IDLE GR CAP	1	
21	09103-06535	BOLT (6X60)	1	
22	04211-09149	PIN (8.5X18X2.3)	2	
23	09103-06530	BOLT (L:35)	4	
24	11351-04K10	COVER,MAGNETO	1	
25	11483-18G00	GASKET,MAGNETO COVER	1	
26	04211-09149	PIN (8.5X18X2.3)	2	
27	09103-06529	BOLT (6X30)	3	
28	09103-06531	BOLT (6X40)	5	
29	09168-06023	GASKET (5.8X13X1.2)	2	
30	11361-48K00	COVER,ENG SPROCKET	1	
31	04211-09129	PIN	2	
32	09103-06534	BOLT (6X55)	2	
33	09103-06541	BOLT (6X95)	1	
34	11371-48K00	HOLDER,CL RELEASE	1	
35	47912-31J00	SCREW (5X13)	2	

GSX-S1000XRREM4_E21

FIG.116A

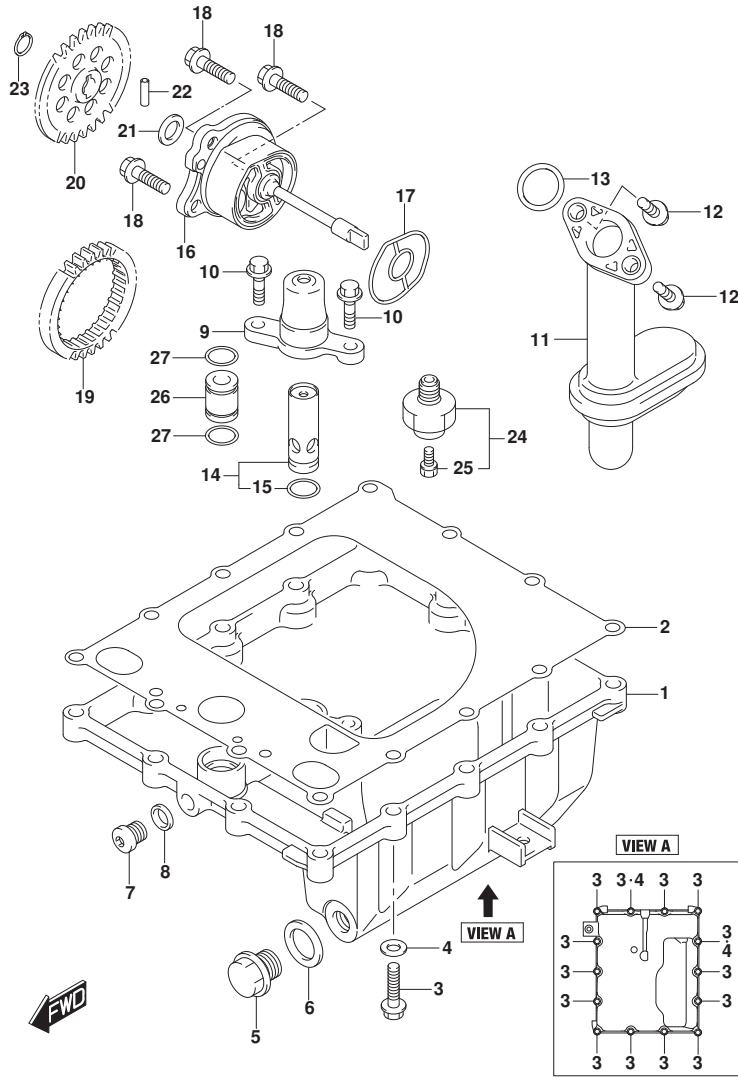


FIG.116A (1-B-8) OIL PAN/OIL PUMP

REF NO.	PART NO.	DESCRIPTION	Q'TY	REMARKS
1	11511-21H01	PAN,OIL	1	
2	11489-21H00	GASKET,OIL PAN	1	
3	01547-0625A	BOLT	14	
4	09168-06023	GASKET (5.8X13X1.2)	2	
5	09247-14036	PLUG (14X20)	1	OIL DRAIN
6	09168-14002	GASKET (13.8X18.8X4.8)	1	OIL DRAIN
7	09248-10010	PLUG (10X10)	1	
8	09168-10002	GASKET (10X14X3.6)	1	
9	11512-44G00	CAP,OIL RELIEF VALVE	1	
10	01547-0620A	BOLT	2	
11	16520-04K00	STRAINER,ENG OIL	1	
12	01550-0620A	BOLT (6X20)	2	
13	09280-19008	O-RING (D:2.62,ID:20.3)	1	
14	16440-24F00	VALVE ASSY,OIL RELIEF (7K)	1	
15	09280-13004	.O-RING (D:1.9,ID:13)	1	
16	16400-21H00	PUMP ASSY,ENGINE OIL	1	
17	16491-35F00	O-RING	1	
18	01547-0620A	BOLT	3	
19	16321-35F01	GEAR,OIL PUMP DRIVE (NT:33)	1	
20	16331-35F00	GEAR,OIL PUMP DRIVEN (NT:35)	1	
21	09181-10158	SHIM (10X18X0.5)	1	
22	09261-04009	PIN (4X15.8)	1	
23	08331-31109	CIRCLIP	1	
24	37820-33D11	SWITCH ASSY,OIL PRESSURE	1	
25	37822-33D00	.BOLT,OIL PRESSURE SWITCH	1	
26	11281-44G00	PIPE,OIL GALLERY	1	
27	09280-13004	O-RING (D:1.9,ID:13)	2	

FIG.120A

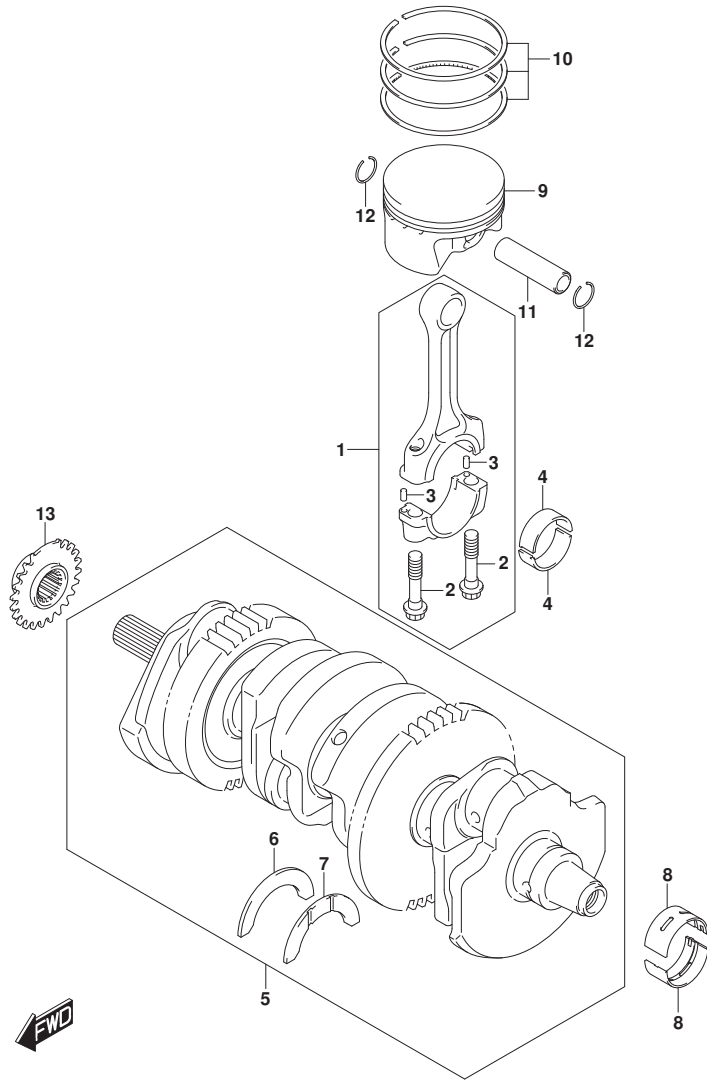


FIG.120A (1-B-9) CRANKSHAFT

REF NO.	PART NO.	DESCRIPTION	Q'TY	REMARKS
1	12160-04K10	CONNROD ASSY	4	
2	12163-24F10	.BOLT,CONNECTING ROD	8	
3	04221-04089	.PIN (4X13.8)	8	
4-1	12164-47H10-0A0	BEARING,CRANK PIN	8	GREEN
4-2	12164-47H10-0B0	BEARING,CRANK PIN	8	BLACK
4-3	12164-47H10-0C0	BEARING,CRANK PIN	8	BROWN
4-4	12164-47H10-0D0	BEARING,CRANK PIN	8	YELLOW
5	12000-41840	CRANKSHAFT SET	1	
6	12228-48B00-0E0	BEARING,CRANK THRUST	1	
7-1	12228-48B00-0B0	BEARING,CRANK THRUST	1	
7-2	12228-48B00-0C0	BEARING,CRANK THRUST	1	
7-3	12228-48B00-0D0	BEARING,CRANK THRUST	1	
7-4	12228-48B00-0E0	BEARING,CRANK THRUST	1	
7-5	12228-48B00-0F0	BEARING,CRANK THRUST	1	
7-6	12228-48B00-0G0	BEARING,CRANK THRUST	1	
7-7	12228-48B00-0H0	BEARING,CRANK THRUST	1	
8-1	12229-04K00-0A0	BEARING,CRANKSHAFT	10	
8-2	12229-04K00-0B0	BEARING,CRANKSHAFT	10	
8-3	12229-04K00-0C0	BEARING,CRANKSHAFT	10	
8-4	12229-04K00-0D0	BEARING,CRANKSHAFT	10	
8-5	12229-04K00-0E0	BEARING,CRANKSHAFT	10	
9	12111-04K00-0F0	PISTON	4	
10	12140-04K00	RING SET,PISTON	4	
11	12151-04K00	PIN,PISTON	4	
12	09381-16001	CIRCLIP (OD:18)	8	
13	12731-29G00	SPROCKET,CAM CHAIN DRIVE (NT:1 7)	1	

FIG.122A

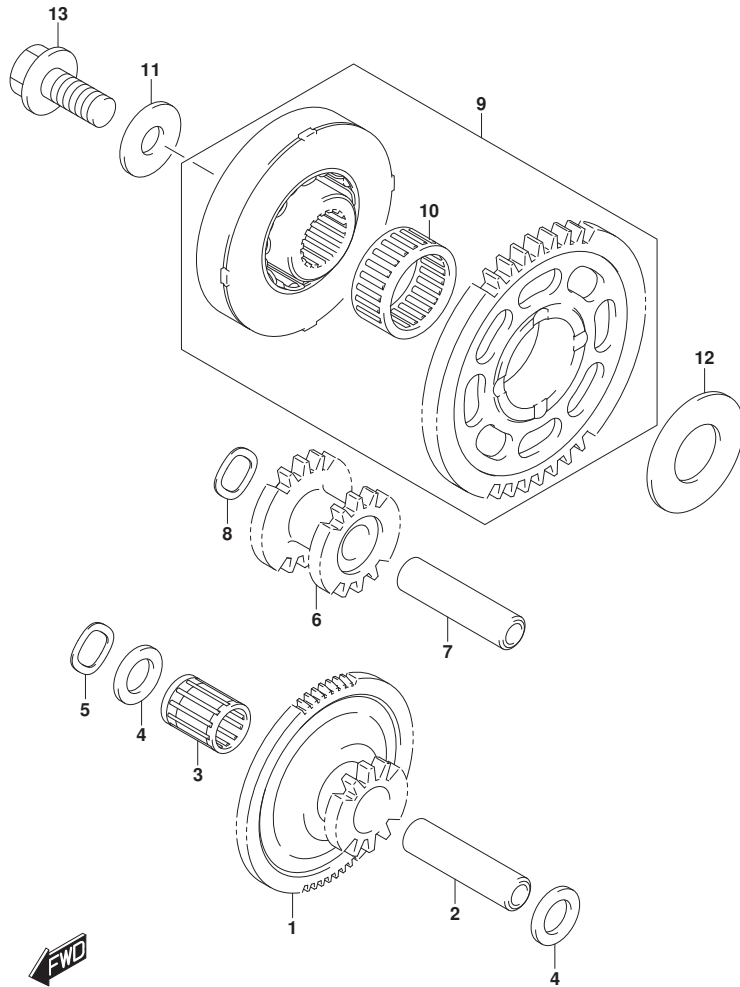


FIG.122A (1-B-10) STARTER CLUTCH

REF NO.	PART NO.	DESCRIPTION	Q'TY	REMARKS
1	12611-04K00	GEAR,STARTER IDLE NO.1 (NT:15/ 75)	1	
2	09206-12006	PIN (8X12X45.5)	1	
3	09263-12022	BEARING (12X16X20)	1	
4	09181-12167	SHIM (12X20X1)	2	
5	09164-12021	WASHER (37.3X52X1)	1	
6	12612-04K00	GEAR,STARTER IDLE NO.2 (NT:15/ 17)	1	
7	09206-12006	PIN (8X12X45.5)	1	
8	09164-12021	WASHER (37.3X52X1)	1	
9	12600-40831	CLUTCH SET,STARTER (NT:44)	1	
10	09263-26035	.BEARING (26X31X16)	1	
11	08211-10285	WASHER	1	
12	08211-20403	WASHER	1	
13	09103-10189	BOLT (10X23)	1	

FIG.124A

FIG.124A (1-B-11) CRANK BALANCER

REF NO.	PART NO.	DESCRIPTION	Q'TY	REMARKS
1	12654-04K00	BALANCER,CRANK	1	
2	12666-40F00	GEAR,CRANK BALANCER (NT:30)	1	
3	12686-40F00	DAMPER,CRANK BALANCER GEAR	6	
4-1	12229-40F50-0A0	BEARING,CRANK BALANCER	4	GREEN
4-2	12229-40F50-0B0	BEARING,CRANK BALANCER	4	BLACK
4-3	12229-40F50-0C0	BEARING,CRANK BALANCER	4	BROWN
5	09181-23002	SHIM (23X40X2)	2	
6	09241-26004	PLUG (OD:26)	1	

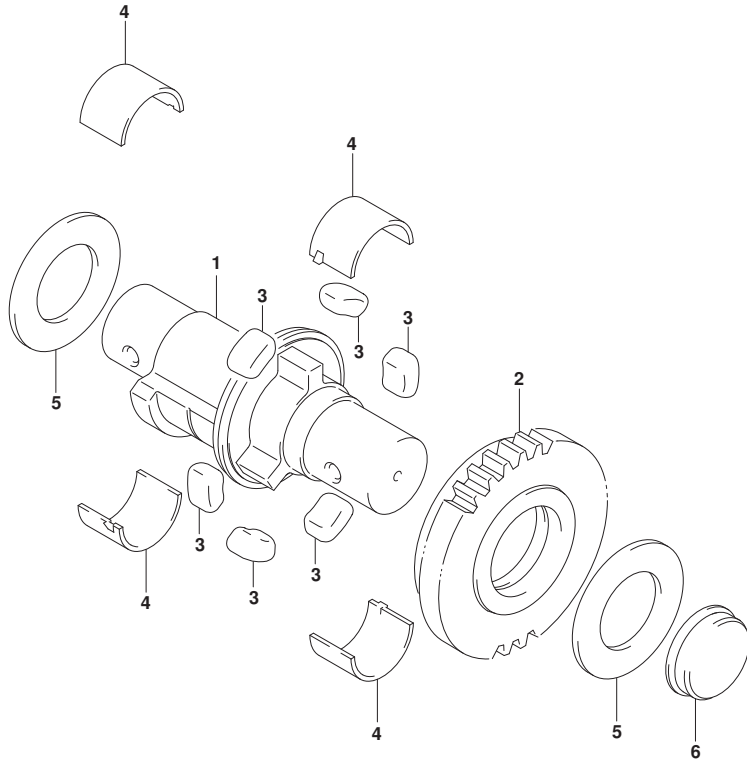


FIG.126A

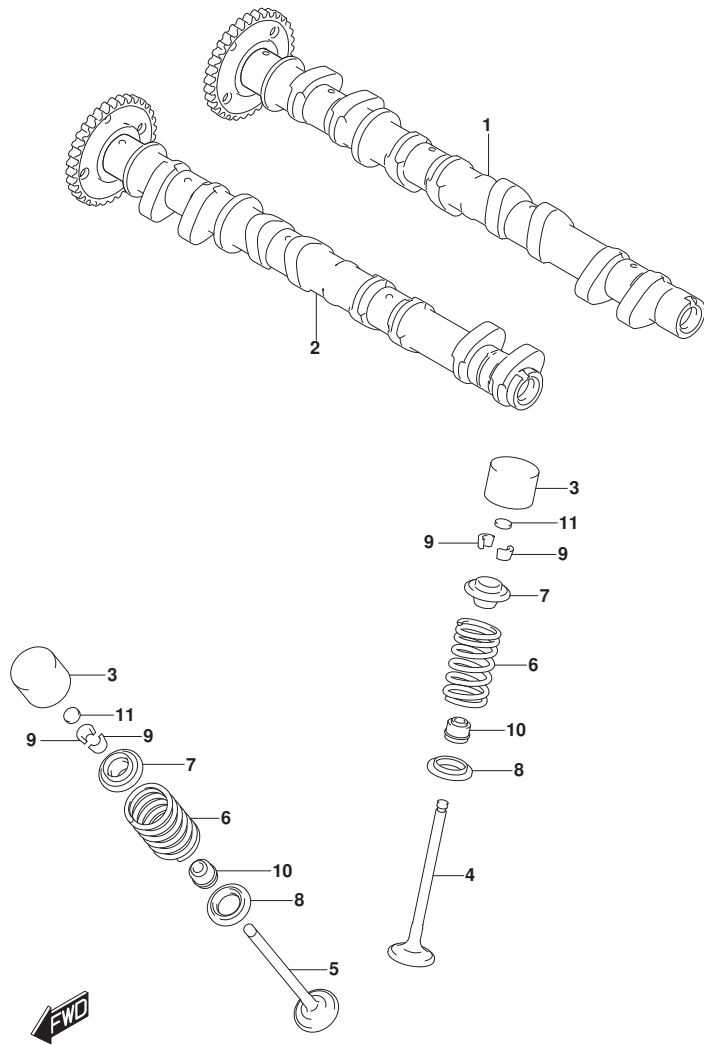


FIG.126A (1-B-12) CAMSHAFT/VALVE

REF NO.	PART NO.	DESCRIPTION	Q'TY	REMARKS
1	12710-48K00	CAMSHAFT,INTAKE (NT:34)	1	
2	12720-48K00	CAMSHAFT,EXHAUST (NT:34)	1	
3	12891-47H00	TAPPET	16	
4	12911-04K01	VALVE,INTAKE	8	
5	12912-04K01	VALVE,EXHAUST	8	
6	12921-37H00	SPRING,VALVE	16	
7	12931-04K00	RETAINER,VALVE SPRING	16	
8	12933-29G00	SEAT,VALVE SPRING	16	
9	12932-32C00	COTTER,VALVE	32	
10	09289-04002	SEAL,OIL (4.5X10X8)	16	
11-1	12892-05C00-120	SHIM,TAPPET (T:1.20)	16	
11-2	12892-05C00-125	SHIM,TAPPET (T:1.25)	16	
11-3	12892-05C00-130	SHIM,TAPPET (T:1.30)	16	
11-4	12892-05C00-135	SHIM,TAPPET (T:1.35)	16	
11-5	12892-05C00-140	SHIM,TAPPET (T:1.40)	16	
11-6	12892-05C00-145	SHIM,TAPPET (T:1.45)	16	
11-7	12892-05C00-150	SHIM,TAPPET (T:1.50)	16	
11-8	12892-05C00-155	SHIM,TAPPET (T:1.55)	16	
11-9	12892-05C00-160	SHIM,TAPPET (T:1.60)	16	
11-10	12892-05C00-165	SHIM,TAPPET (T:1.65)	16	
11-11	12892-05C00-170	SHIM,TAPPET (T:1.70)	16	
11-12	12892-05C00-175	SHIM,TAPPET (T:1.75)	16	
11-13	12892-05C00-180	SHIM,TAPPET (T:1.80)	16	
11-14	12892-05C00-185	SHIM,TAPPET (T:1.85)	16	
11-15	12892-05C00-190	SHIM,TAPPET (T:1.90)	16	
11-16	12892-05C00-195	SHIM,TAPPET (T:1.95)	16	
11-17	12892-05C00-200	SHIM,TAPPET (T:2.00)	16	
11-18	12892-05C00-205	SHIM,TAPPET (T:2.05)	16	
11-19	12892-05C00-210	SHIM,TAPPET (T:2.10)	16	
11-20	12892-05C00-215	SHIM,TAPPET (T:2.15)	16	
11-21	12892-05C00-220	SHIM,TAPPET (T:2.20)	16	
12	12800-05830	SHIM SET,TAPPET (5PCS.EACH)	1	OPT,NOT ILLUSTRATED
13	99000-69491	.CASE,TAPPET SHIM	1	OPT,NOT ILLUSTRATED

FIG.127A

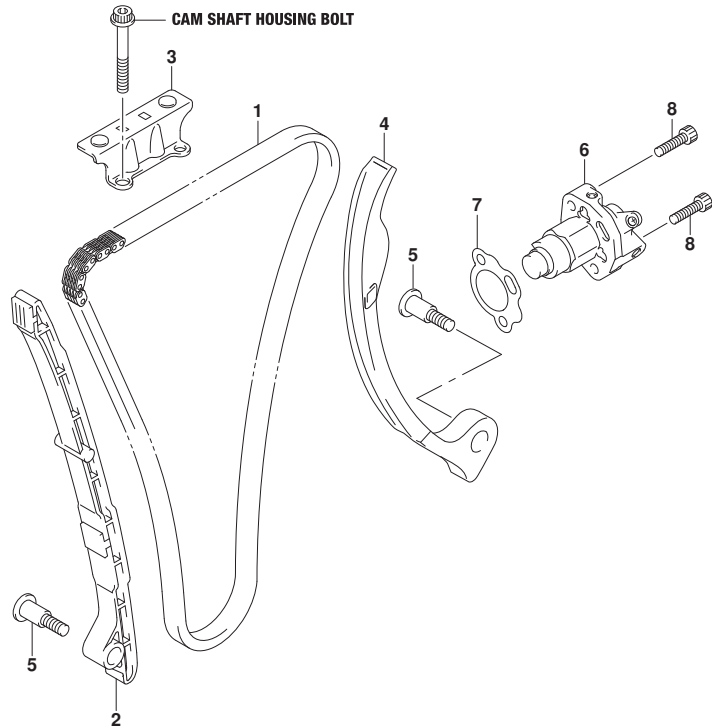


FIG.127A (1-B-13) CAM CHAIN

REF NO.	PART NO.	DESCRIPTION	Q'TY	REMARKS
1	12760-04K00	CHAIN,CAMSHAFT DRIVE	1	
2	12771-21H01	GUIDE,CAM CHAIN NO.1	1	
3	12782-35F11	GUIDE,CAM CHAIN NO.2	1	
4	12811-47H01	TENSIONER,CAM CHAIN	1	
5	12812-31G00	BOLT,CAM CHAIN TENSIONER	2	
6	12830-48K00	ADJUSTER ASSY,TENSIONER	1	
7	12837-48K00	GASKET,TENSIONER ADJUSTER	1	
8	07130-0625A	BOLT (6X25)	2	

FIG.140A

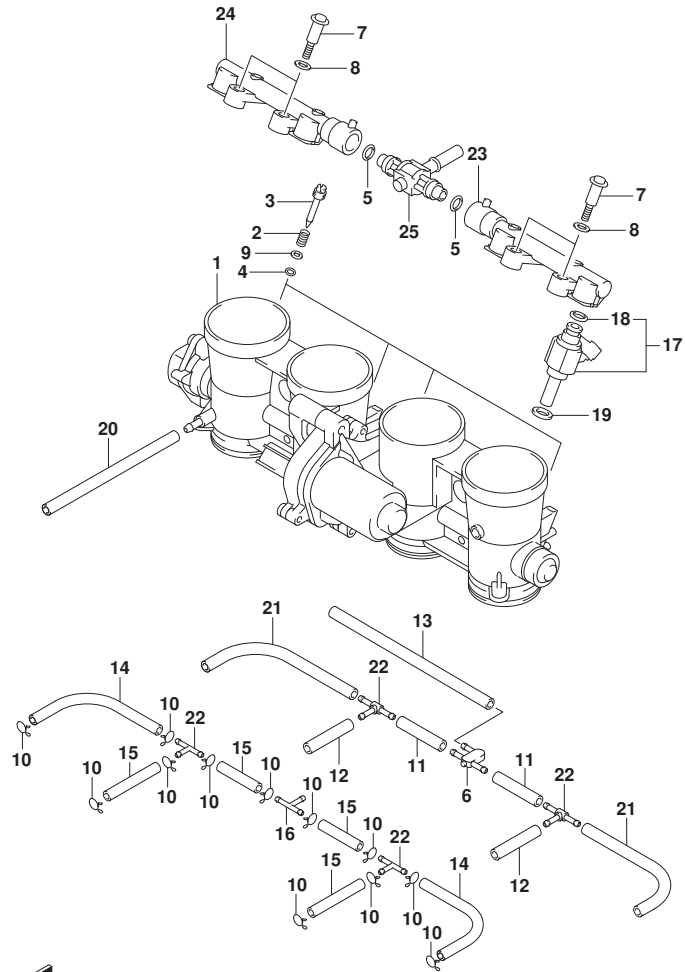


FIG.140A (1-B-14) THROTTLE BODY

REF NO.	PART NO.	DESCRIPTION	Q'TY	REMARKS
1	13405-48K00	BODY,THROTTLE	1	
2	13268-48700	SPRING,THROTTLE SCREW	4	
3	13269-33E00	SCREW	4	
4	13295-29901	O-RING	4	
5	13374-32G00	O-RING	2	
6	13471-18H00	.JOINT	5	
7	13601-29G00	SCREW	4	
8	13602-29G01	PACKING	4	
9	13606-47A00	WASHER	4	
10	13671-12C00	CLIP	12	
11	09355-30001-600	HOSE (3X7X600)	1	CUT AS REQUIRED
12	13683-07F01	HOSE	2	
13	13683-07F11	HOSE	1	
14	13683-10L00	HOSE (3.5X7.5X80)	2	
15	13683-48K00	HOSE	4	
16	13685-04F10	NIPPLE	1	
17	15710-04K00	INJECTOR ASSY	4	
18	15717-58B00	.O-RING	4	
19	15722-14J00	SEAL	4	
20	09355-35007-600	HOSE (3.5X7.5X600)	2	CUT AS REQUIRED
21	13681-39F00-070	HOSE (3.2X7.4X70)	2	
22	13685-02FA0	NIPPLE	4	
23	13471-10L00	.DELIVERY PIPE	1	
24	13472-10L00	.DELIVERY PIPE	1	
25	13473-17K00	NIPPLE ASSY	1	

FIG.155A

FIG.155A (1-B-15) AIR CLEANER

REF NO.	PART NO.	DESCRIPTION	Q'TY	REMARKS
1	13700-48K00	CLEANER ASSY,AIR	1	
2	13780-48K00	.FILTER ASSY	1	
3	13756-48K00	.GASKET FILTER	1	
4	13740-48K00	.CAP,AIR CLEANER	1	
5	13746-48K00	..GASKET,CAP	1	
6	13736-48K00	.CUSHION,DUCT	2	
7	13881-48K00	.TUBE,OUTLET	4	
8	13827-40H01	.CLAMP,INTAKE PIPE	4	
9	13878-10G01	.PLUG	1	
10	09401-14301	.CLIP	1	
11	13788-48K00	.FILTER BREATHER	1	
12	03541-0520A	.SCREW	12	
13	09111-06089	BOLT (6X16)	1	
14	13650-41F10	SENSOR,AIR TEMP	1	
15	13655-41F10	O-RING	1	
16	03511-0516A	SCREW	1	
17	13853-04K01	HOSE,BREATHER	1	
18	09401-14101	CLIP (ID:14.5)	2	
19	18590-18K10	SENSOR,BOOST	2	
20	03541-0520A	SCREW	2	

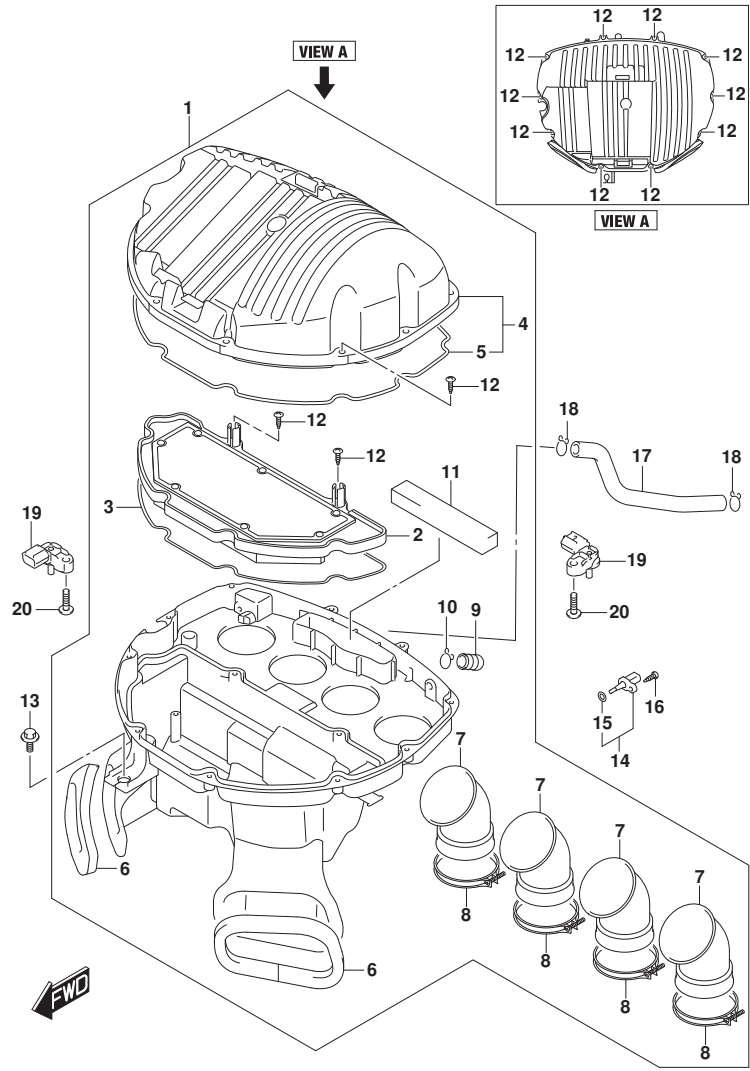


FIG.163A

FIG.163A (1-B-16) MUFFLER

REF NO.	PART NO.	DESCRIPTION	Q'TY	REMARKS
1	14100-48K40	EXHAUST	1	
2	14181-04K00	GASKET,EXHAUST PIPE	4	
3	14770-48K00	BRACKET,EXH SPRT	1	
4	09116-08176	BOLT	1	
5	09106-08178	BOLT (8X25)	8	
6	14250-48K00	GUIDE COMP,EXH VALVE CABLE	1	
7	09180-08152	SPACER (8.6X12X24.2)	2	
8	09320-12077	CUSHION (12X30X24)	2	
9	09135-08007	BOLT (8X20)	2	
10	09106-08162	BOLT (8X40)	1	
11	11269-18G01	PULLEY,CONTROLLER	1	
12	11276-48K10	CABLE,EXH VALVE NO.1	1	
13	11277-48K10	CABLE,EXH VALVE NO.2	1	
14	14250-21H00	BRACKET,EXHAUST VALVE CABLE	1	
15	14252-14J00	GUIDE,EXHAUST VALVE CABLE	1	
16	01547-0516A	BOLT	1	
17	08316-1006A	NUT (6X12)	1	
18	14310-48K10	BODY,MUFFLER	1	
19	14459-47H00	CLAMP,MUFFLER CONNECTOR	1	
20	14771-24F01	CONNECTOR,MUFFLER	1	
21	09106-08195	BOLT (8X45)	1	
22	09106-08162	BOLT (8X40)	1	
23	09160-08503	WASHER (8.5X30X2.3)	1	
24	09180-08152	SPACER (8.6X12X24.2)	1	
25	09320-12048	CUSHION (12X30X24)	1	
26	08316-1008A	NUT	1	
27	14780-48K10	COVER,MUF FR	1	
28	14784-48K00	SHIELD,MUF COVER HEAT FR	1	
29	14795-10FA0	GROMMET	1	
30	09139-06128	SCREW (6X12)	1	
31	09320-04011	CUSHION	1	
32	09320-08066	CUSHION (8.4X18X6)	1	
33	14791-04K22	COVER,MUF RR	1	
34	09116-06528	BOLT	3	
35	18213-25L00	SENSOR,OXYGEN	1	

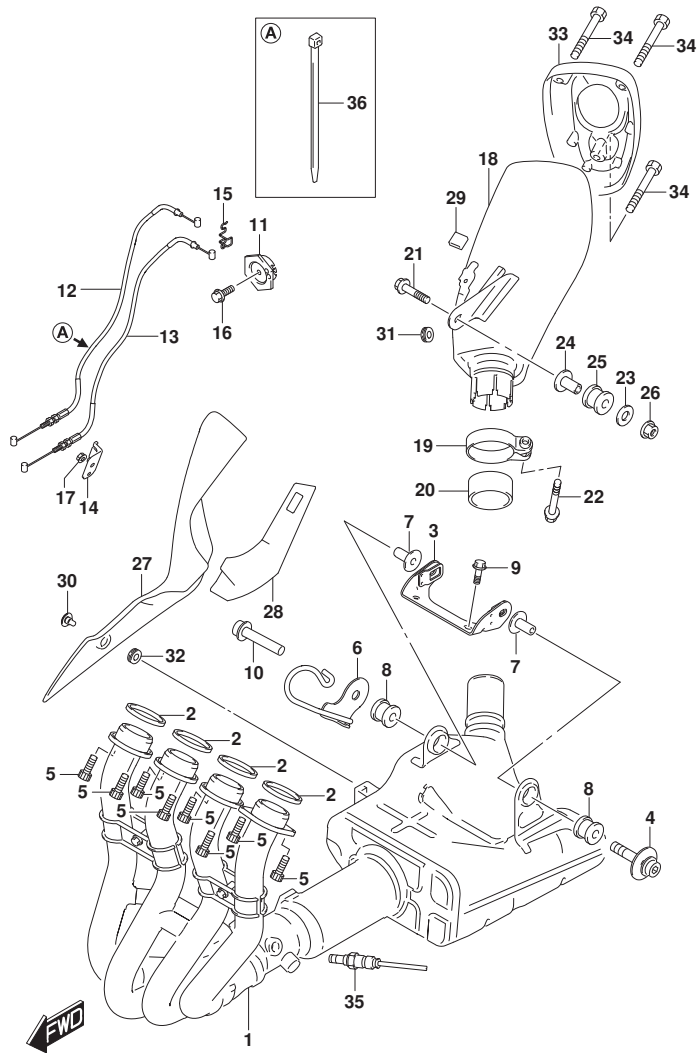


FIG.163A

FIG.163A (1-C-2) MUFFLER

REF NO.	PART NO.	DESCRIPTION	Q'TY	REMARKS
36	09407-14407	CLAMP (L:145)	1	

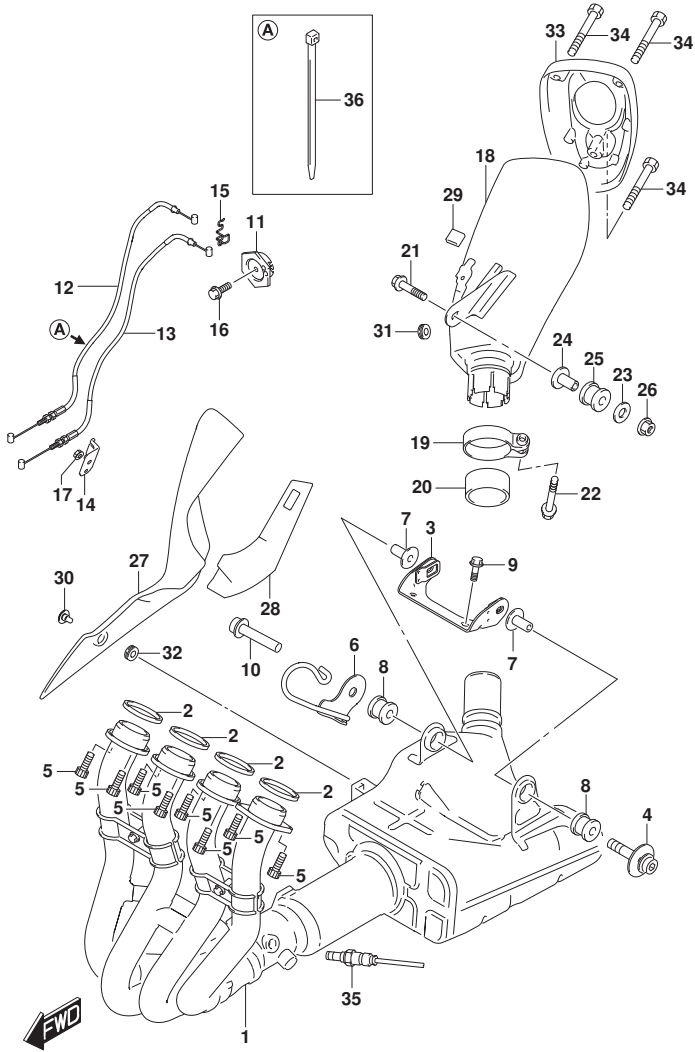


FIG.172A

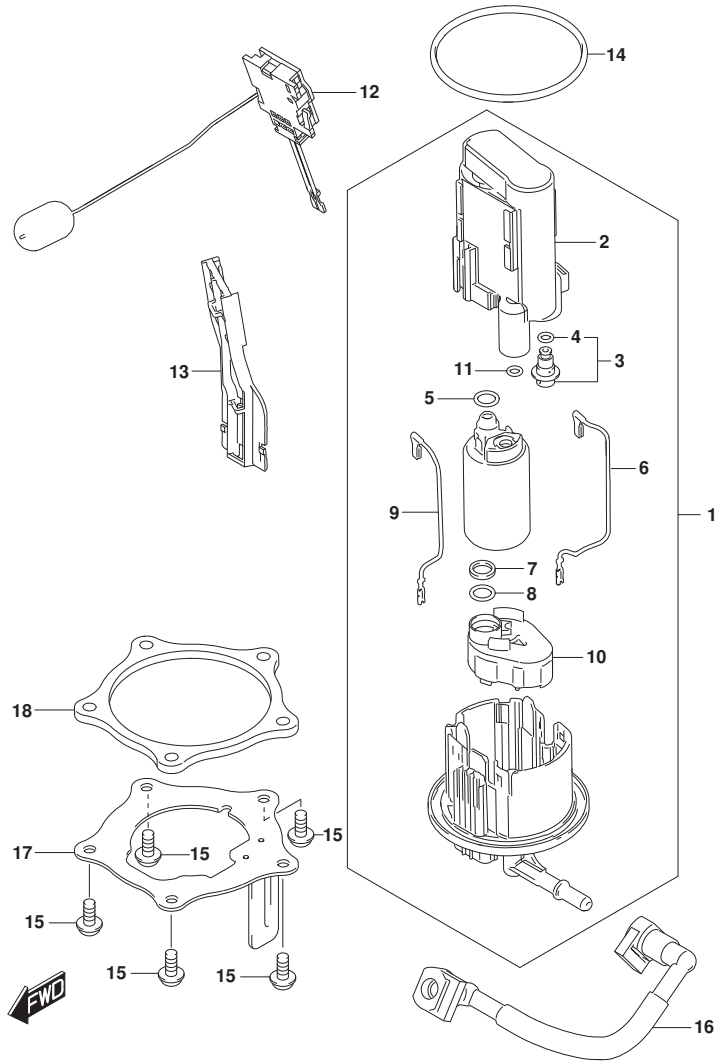


FIG.172A (1-C-3) FUEL PUMP

REF NO.	PART NO.	DESCRIPTION	Q'TY	REMARKS
1	15100-17K10	PUMP ASSY,FUEL	1	
2	15310-17K00	.FILTER	1	
3	15610-17K00	.REGULATOR	1	
4	15113-48H00	.O-RING	1	
5	15113-05H00	.O-RING	1	
6	15114-17K00	.WIRE,EARTH	1	
7	15116-17K00	.COLLAR	1	
8	15113-17K00	.O-RING	1	
9	15115-17K00	.WIRE,LEAD	1	
10	15420-17K00	.STRAINER	1	
11	15113-35F00	.O-RING	1	
12	34810-48K10	GAUGE ASSY,FUEL LEVEL SENDER	1	
13	34815-48K00	ATTACHMENT,FUEL LEVEL SENDER	1	
14	15201-07L00	O-RING,FUEL PUMP	1	
15	07120-0616A	BOLT	5	
16	15810-04K01	HOSE,FUEL	1	
17	15120-04K00	PLATE,FUEL PUMP OUTER	1	
18	15122-17K00	PLATE,FUEL PUMP INNER	1	

FIG.178A

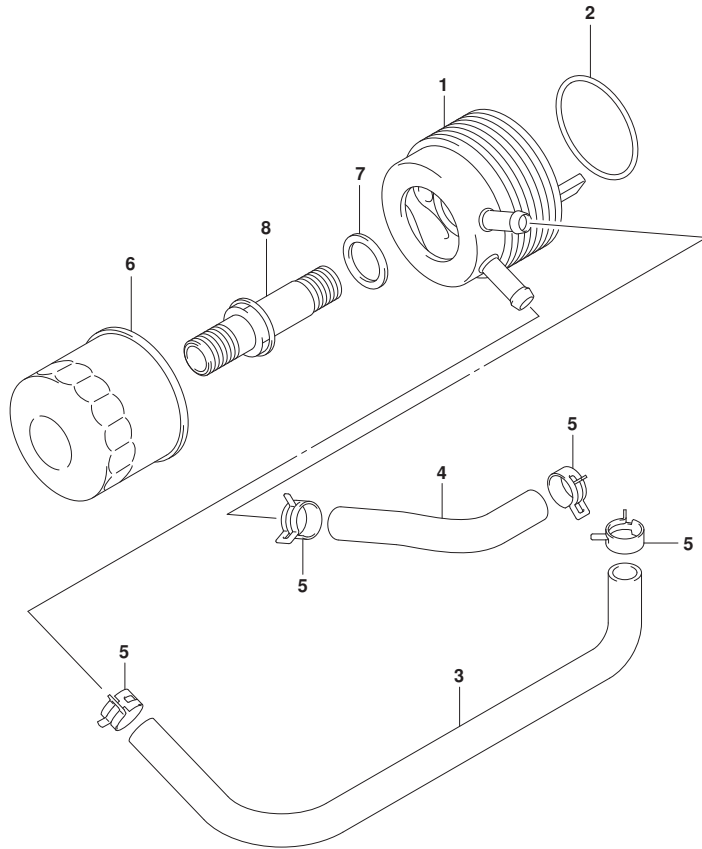


FIG.178A (1-C-4) OIL COOLER

REF NO.	PART NO.	DESCRIPTION	Q'TY	REMARKS
1	16600-04K00	COOLER ASSY,OIL	1	
2	16611-48K00	O-RING,OIL COOLER	1	
3	16461-04K00	HOSE,OIL COOLER WATER INLET	1	
4	16471-04K00	HOSE,OIL COOLER WATER OUTLET	1	
5	09401-16407	CLIP (ID:16.5)	4	
6	16510-07J00	FILTER ASSY,ENGINE OIL (P1.0)	1	
7	09181-21002	SHIM (21X31X0.8)	1	
8	16591-04K00	BOLT,OIL COOLER UNION	1	

FIG.180A

FIG.180A (1-C-5) WATER PUMP

REF NO.	PART NO.	DESCRIPTION	QTY	REMARKS
1	17400-04K10	PUMP ASSY,WATER	1	
2	17491-17E01	.IMPELLER	2	
3	09168-06025	.GASKET (6X15X2.2)	1	
4	17470-02F11	.SEAL,MECHANICAL	1	
5	17461-48G00	.SEAL,OIL (10X21X5)	1	
6	02112-0616A	.SCREW	2	
7	17418-33401	.O-RING	1	
8	17435-33400	.O-RING	1	
9	09100-06099	.BOLT (6X13)	1	
10	09164-06006	.WASHER	1	
11	17432-07G00	.WASHER	1	
12	09103-06530	BOLT (L:35)	2	

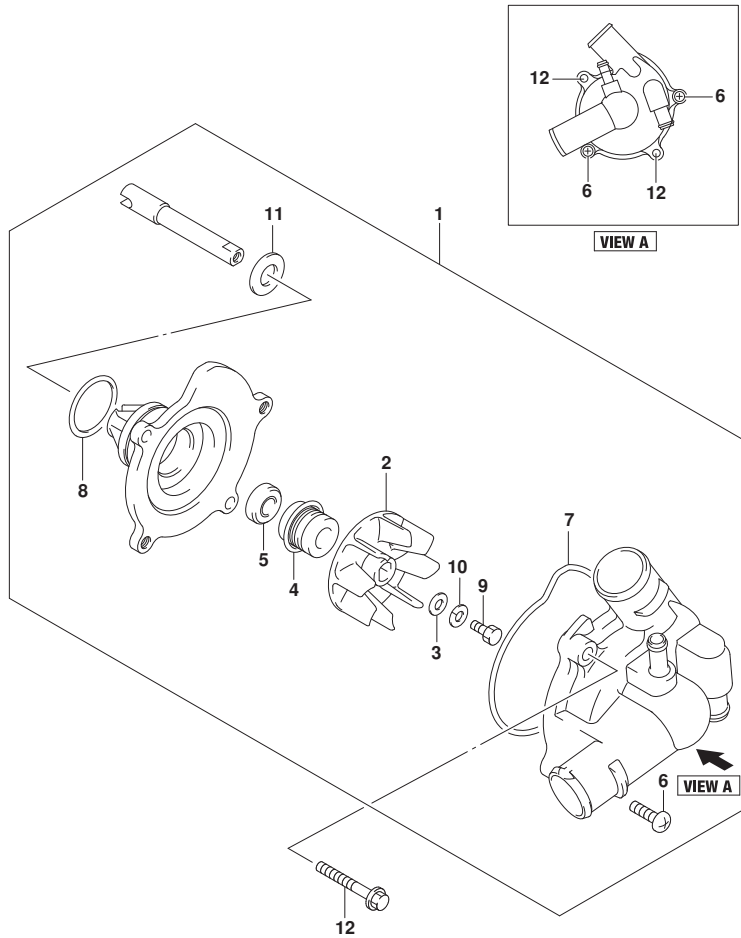


FIG.185A

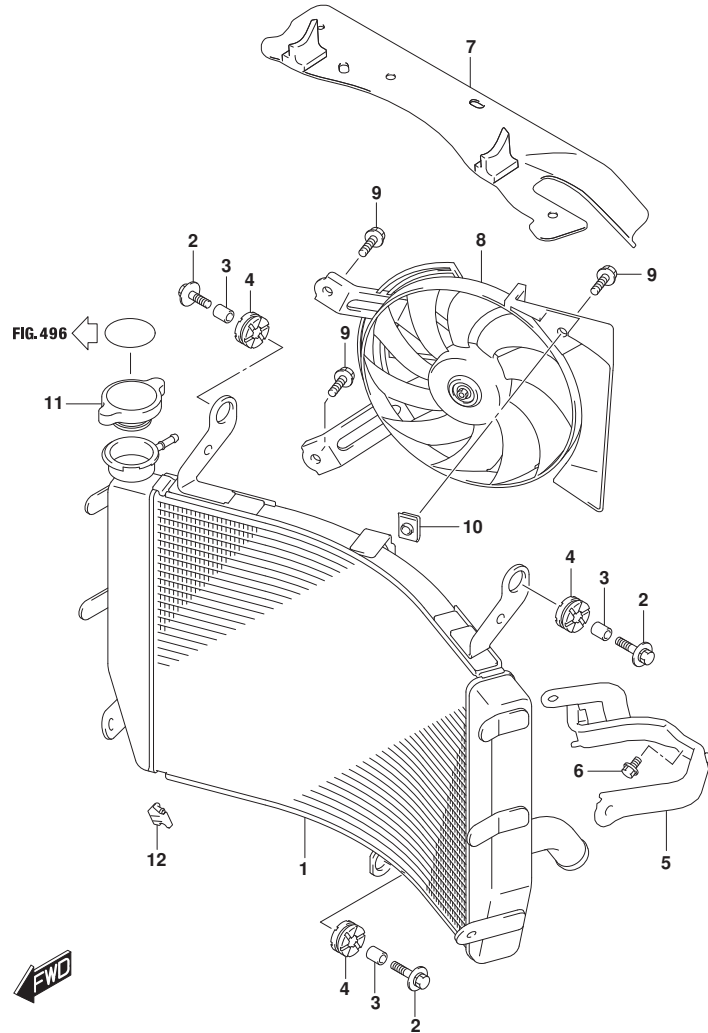


FIG.185A (1-C-6) RADIATOR

REF NO.	PART NO.	DESCRIPTION	Q'TY	REMARKS
1	17710-48K00	RADIATOR,WATER	1	
2	09118-06097	BOLT (6X25)	3	
3	09180-06290	SPACER (6.5X10X12)	3	
4	09320-10051	CUSHION	3	
5	17760-07L00	BRACKET,RADIATOR LOWER	1	
6	01550-0616A	BOLT	3	
7	17771-48K10	SHIELD,RADIATOR HEAT	1	
8	17800-48K00	FAN ASSY,RADIATOR	1	
9	17711-14G00	BOLT,FAN ASSY	3	
10	17802-14F00	NUT,RADIATOR FAN	1	
11	17730-14G00	CAP,RADIATOR (1.1)	1	
12	17781-48K00	PROTECTOR,RADIATOR HEAT	1	

FIG.187A

FIG.187A (1-C-7) RADIATOR HOSE

REF NO.	PART NO.	DESCRIPTION	Q'TY	REMARKS
1	17851-04K10	HOSE,RDTR INLET	1	
2	17852-04K00	HOSE,RDTR OUTLET	1	
3	17853-40F10	HOSE,CYLINDER INLET	1	
4	09401-29001	CLAMP	8	
5	17661-35F00	COVER,THERMOSTAT	1	
6	17670-06G61	THERMOSTAT,WATER	1	
7	01547-0620A	BOLT	2	
8	17861-33E20	CONNECTOR,CYLINDER WATER INLET	1	
9	17863-33E00	O-RING	1	
10	01547-0620A	BOLT	3	
11	17568-50F00	UNION BOLT,AIR VENT	1	
12	09168-06026	GASKET (6.4X11.5X0.84)	1	
13	09362-09011	UNION	1	
14	17854-04K10	HOSE,WATER BYPASS	1	
15	09401-12414	CLIP	2	
16	17857-04K10	HOSE,WATER AIR BLEED	1	
17	09401-10409	CLIP (ID:10.5,H:8)	2	
18	17910-04K00	TANK ASSY,RESERVOIR	1	
19	17931-31J00	.CAP,WATER RESERVOIR TANK	1	
20	09111-06085	BOLT (6X12)	1	
21	17981-04K10	HOSE,RSVR TANK INLET	1	
22	09401-08411	CLIP (ID:8.6)	2	
23	17982-04K00	HOSE,RSVR TANK OVER FLOW	1	
24	09408-00321	CLAMP	1	
25	17855-04K00	HOSE,RDTR OUTLET NO.2	1	
26	17881-04K00	PIPE,WATER HOSE JOINT	1	
27	17891-04K00	BAND,WATER HOSE	1	
28	09407-18402	CLAMP (L:165)	1	
29	17899-48K00	CUSHION,HOSE CLIP	1	

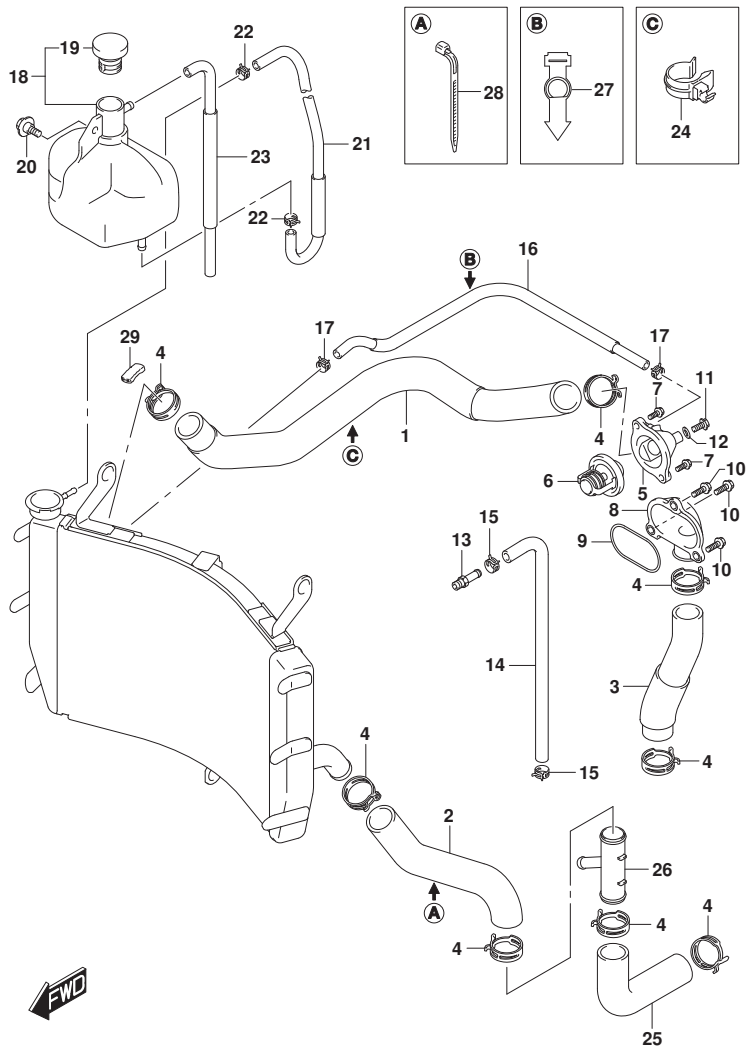


FIG.189A

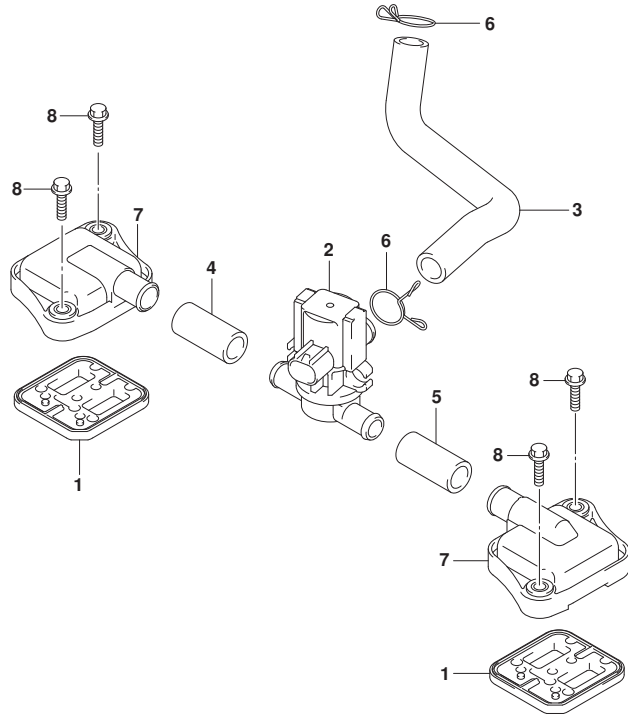


FIG.189A (1-C-8) 2ND AIR

REF NO.	PART NO.	DESCRIPTION	Q'TY	REMARKS
1	18450-35F60	VALVE ASSY,2ND AIR REED	2	
2	18510-29G70	VALVE ASSY,AIR CUT	1	
3	18711-04K00	HOSE,2ND AIR CLNR	1	
4	18461-04K01	HOSE,2ND AIR VALVE,R	1	
5	18471-04K01	HOSE,2ND AIR VALVE,L	1	
6	09401-17201	CLIP	2	
7	18531-35F30	COVER,2ND AIR REED VALVE	2	
8	09103-06201	BOLT (6X20)	4	



FIG.201A

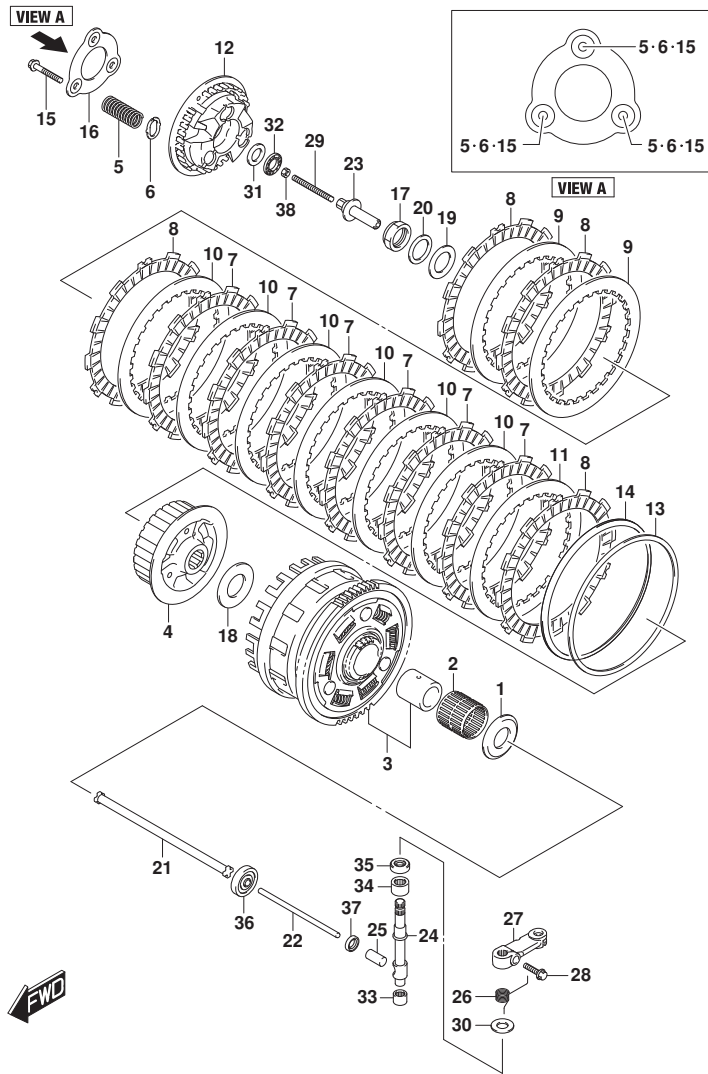


FIG.201A (1-C-9) CLUTCH

REF NO.	PART NO.	DESCRIPTION	Q'TY	REMARKS
1	09160-25073	WASHER (25X54X2.4)	1	
2	09263-35017	BEARING (35X40X35.8)	1	
3	21200-40880	GEAR ASSY,PRI DRIVEN (NT:73)	1	
4	21411-48K00	HUB,CLUTCH SLEEVE	1	
5	21413-48K00	SPRING,CLUTCH	3	
6	21415-31J00	SEAT,CLUTCH SPRING	3	
7	21441-36F50	PLATE,CLUTCH DRIVE NO.1 (T:2.8	6	
)		
8	21442-41G20	PLATE,CLUTCH DRIVE NO.2 (T:2.8	4	
)		
9	21452-48K00	PLATE,CLUTCH DRIVEN NO.3 (T:2.	2	
		3)		
10	21451-41G00	PLATE,CLUTCH DRIVEN (T:2.3)	6	
11	21451-41G40	PLATE,CLUTCH DRIVEN NO.2 (T:2.	1	
		3)		
12	21462-48K00	DISC,CLUTCH PRESSURE	1	
13	21471-41G10	SEAT,WAVE WASHER	1	
14	21472-41G20	WASHER,CLUTCH PLATE WAVE	1	
15	21412-31J00	BOLT,CLUTCH SPRING	3	
16	21414-25L00	PLATE,STOPPER	1	
17	09159-24010	NUT	1	
18	09160-25056	WASHER (25X50X2.5)	1	
19	09181-25223	SHIM (25X38X1)	1	
20	09164-24008	WASHER (24.2X35X2.7)	1	
21	23110-38B00	ROD,CLUTCH PUSH,R	1	
22	23111-35F00	ROD,CLUTCH PUSH,L	1	
23	23121-41G30	PIECE,CLUTCH PUSH	1	
24	23122-41G10	CAMSHAFT,CLUTCH RELEASE	1	
25	23123-41G00	CAP,CLUTCH PUSH ROD	1	
26	23125-41G00	SPRING,CLUTCH RELEASE RETURN	1	
27	23271-41G60	ARM,CLUTCH RELEASE	1	
28	09103-06527	BOLT (6X20)	1	
29	09134-06015	SCREW (6X73)	1	
30	09160-10020	WASHER (10.5X24X1.0)	1	
31	09160-15045	WASHER (15.5X28X1)	1	

FIG.201A

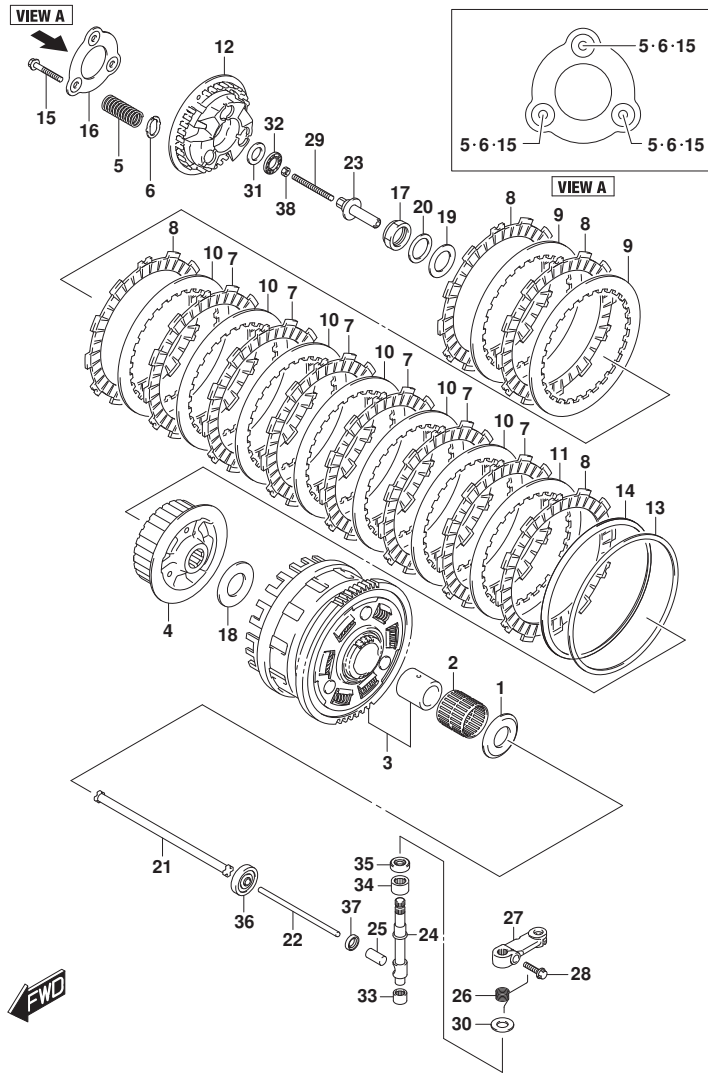


FIG.201A (1-C-10) CLUTCH

REF NO.	PART NO.	DESCRIPTION	Q'TY	REMARKS
32	09263-15003	BEARING (15X28X2)	1	
33	09263-10014	BEARING (10X14X10)	1	
34	09263-12027	BEARING (12X18X12)	1	
35	09282-10012	SEAL,OIL (10X20X6)	1	
36	09283-06013	SEAL,OIL	1	
37	09285-10004	SEAL,OIL (10X17X5)	1	
38	08310-0006A	NUT	1	

FIG.206A

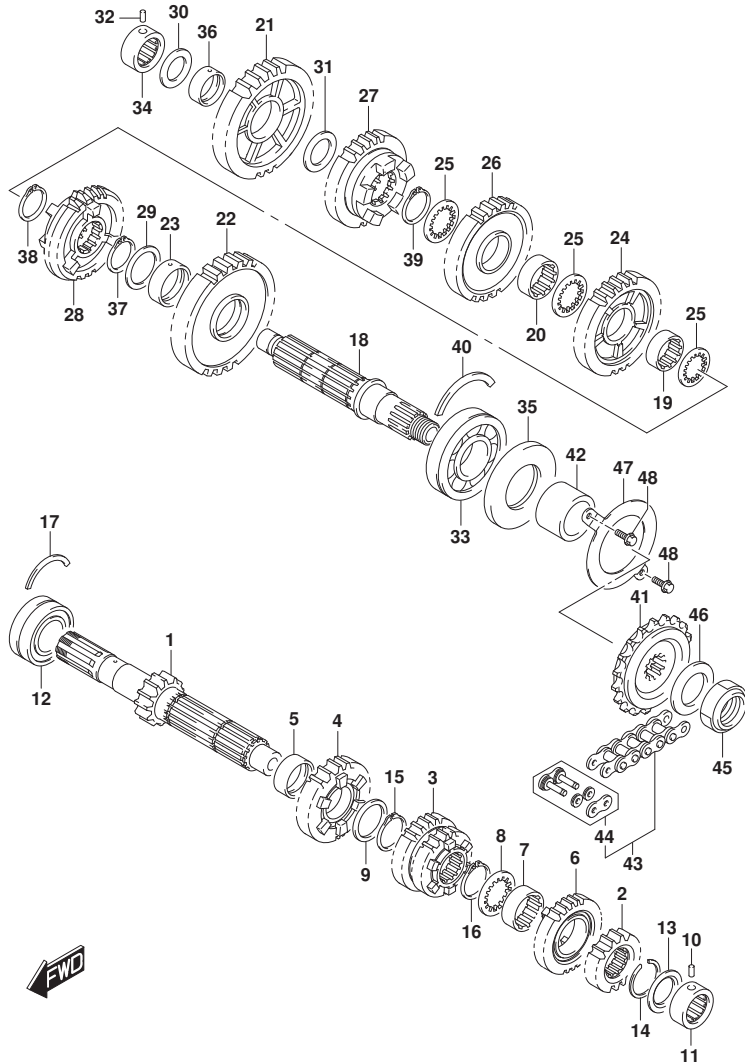


FIG.206A (1-C-11) TRANSMISSION

REF NO.	PART NO.	DESCRIPTION	Q'TY	REMARKS
1	24120-40F40	SHAFT,CNTR (NT:16)	1	
2	24221-40F30	GEAR,2ND DRIVE (NT:19)	1	
3	24231-40F50	GEAR,3RD & 4TH DRIVE (NT:21/24)	1	
4	24251-40F50	GEAR,5TH DRIVE (NT:25)	1	
5	24252-35F00	BUSH,5TH DRIVE GEAR	1	
6	24261-40F40	GEAR,6TH DRIVE (NT:26)	1	
7	24262-35F10	BUSH,6TH DRIVE GEAR	1	
8	09167-27003	WASHER,LOCK (27X36X2.5)	1	
9	09181-27014	SHIM (27X36X2.5)	1	
10	09261-06003	PIN (6X10)	1	
11	09263-20087	BEARING (20X34X13.5)	1	
12	09267-25013	BEARING (25X52X20.6)	1	
13	09285-20006	SEAL,OIL (20X31.2X2.7)	1	
14	09380-27004	CIRCLIP	1	
15	09380-27006	CIRCLIP	1	
16	09380-27006	CIRCLIP	1	
17	09390-58001	C-RING	1	
18	24131-40F20	SHAFT,DRIVE	1	
19	24332-46H00	BUSH	1	
20	24332-46H00	BUSH	1	
21	24311-40F30	GEAR,1ST DRIVE (NT:41)	1	
22	24321-40F50	GEAR,2ND DRIVEN (NT:39)	1	
23	24322-02F01	BUSH,2ND DRIVEN GEAR	1	
24	24331-40F30	GEAR,3RD DRIVEN (NT:36)	1	
25	24333-02F00	WASHER,3RD & 4TH DRIVEN	3	
26	24341-40F20	GEAR,4TH DRIVEN (NT:36)	1	
27	24351-40F40	GEAR,5TH DRIVEN (NT:34)	1	
28	24361-40F30	GEAR,6TH DRIVEN (NT:33)	1	
29	09160-27008	WASHER (27X36X1.0)	1	
30	09181-20251	SHIM (20X34X1)	1	
31	09181-22223	SHIM (22X34X1)	1	
32	09261-06003	PIN (6X10)	1	
33	09262-28025	BEARING (28X70X18)	1	
34	09263-20087	BEARING (20X34X13.5)	1	

FIG.206A

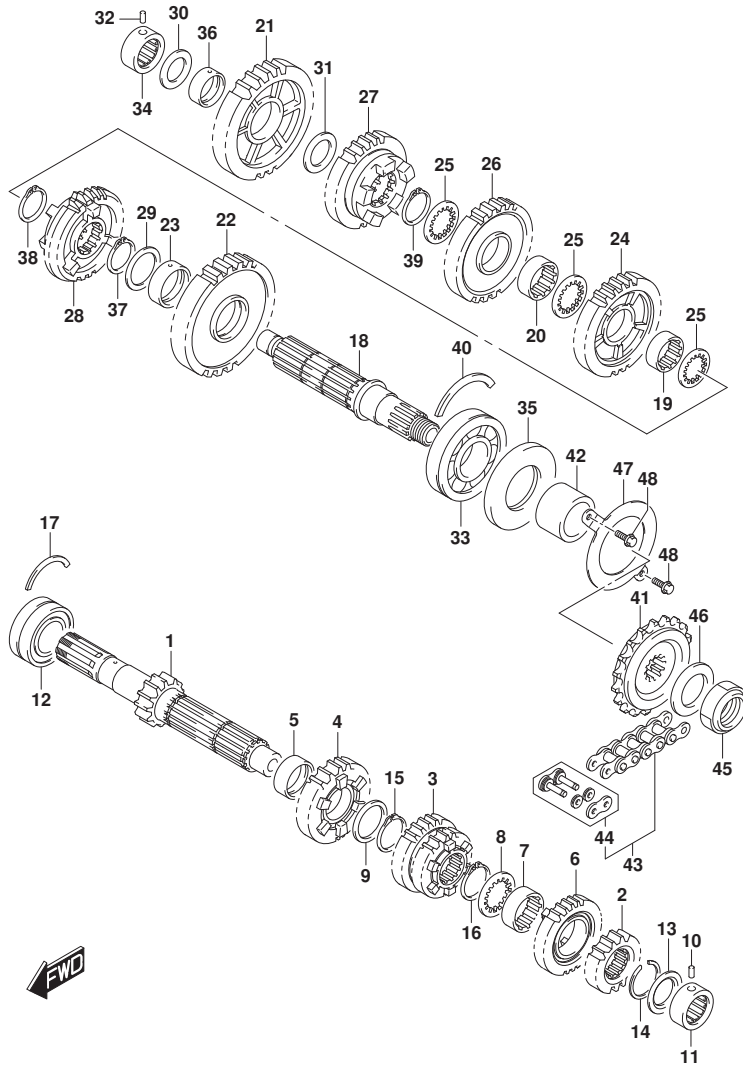


FIG.206A (1-C-12) TRANSMISSION

REF NO.	PART NO.	DESCRIPTION	Q'TY	REMARKS
35	09283-36008	SEAL,OIL (34.8X70X6)	1	
36	09263-22068	BEARING (22X26X11)	1	
37	09380-27006	CIRCLIP	1	
38	09380-27006	CIRCLIP	1	
39	09380-27006	CIRCLIP	1	
40	09390-70001	C-RING (67.6X75X2)	1	
41	27511-20A21	SPROCKET,ENGINE (NT:17)	1	
42	27531-04K00	SPACER,ENGINE SPROCKET	1	
43	27600-33E50-116	CHAIN ASSY,DRIVE (RK525GSH)	1	
44	27620-33E50	JOINT SET,DRIVE CHAIN (RK)	1	
45	09159-20004	NUT	1	
46	09160-25066	WASHER (25X38X2.5)	1	
47	24751-04K00	RETAINER,DRIVE SHAFT OIL SEAL	1	
48	09103-06236	BOLT (6X12)	2	

FIG.212A

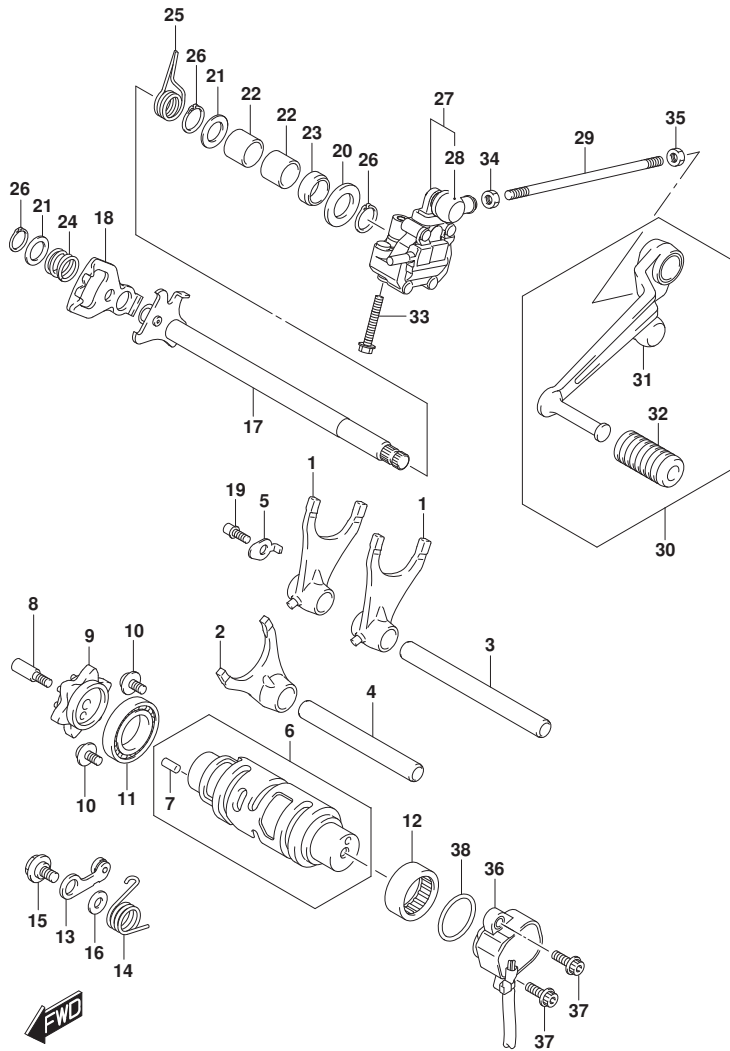


FIG.212A (1-C-13) GEAR SHIFTING

REF NO.	PART NO.	DESCRIPTION	Q'TY	REMARKS
1	25211-35F11	FORK,GEAR SHIFT NO.1	2	
2	25231-35F11	FORK,GEAR SHIFT NO.3	1	
3	25411-24F00	SHAFT,SHIFT FORK NO.2 (L:132)	1	
4	25411-26D01	SHAFT,GEAR SHIFT FORK (L:110)	1	
5	25451-35F00	RETAINER,GEAR SHIFT FORK SHAFT	1	
6	25310-40F10	CAM,GEAR SHIFT	1	
7	04221-04089	.PIN (4X13.8)	1	
8	25312-17K00	BOLT,GEAR SHIFT CAM PLATE	1	
9	25381-17K00	PLATE,GEAR SHIFT CAM	1	
10	09136-06147	SCREW (6X12)	2	
11	09262-25006	BEARING (25X47X8)	1	
12	09263-25018	BEARING (25X32X12)	1	
13	25350-35F00	STOPPER,SHIFT CAM	1	
14	25355-35F01	SPRING,SHIFT	1	
15	09111-06041	BOLT (6X14.3)	1	
16	08211-06141	WASHER	1	
17	25510-48K00	SHAFT,GEAR SHIFT	1	
18	25512-06G20	PLATE,GEAR SHIFT CAM DRIVE	1	
19	25671-35F00	STOPPER,GEAR SHIFT ARM	1	
20	09160-14016	WASHER (14X29X0.8)	1	
21	09181-14167	SHIM (14X22X1.0)	2	
22	09263-14027	BEARING (14X20X12)	2	
23	09283-14005	SEAL,OIL (14X22X7.3)	1	
24	09440-17009	SPRING	1	
25	09444-20003	SPRING	1	
26	08331-3114A	CIRCLIP	3	
27	25500-48K00	SENSOR ASSY,GEAR SHIFT	1	
28	25526-47001	.COVER,DUST	1	
29	25525-24F10	ROD,GEAR SHIFT LINK	1	
30	25600-04K11	LEVER ASSY,GEAR SHIFT	1	
31	25526-47001	.COVER,DUST	1	
32	25652-20C00	.RUBBER,GEAR SHIFT PEDAL	1	
33	09103-06532	BOLT (L:45)	1	
34	08310-0006B	NUT	1	
35	09140-06032	NUT	1	

FIG.212A

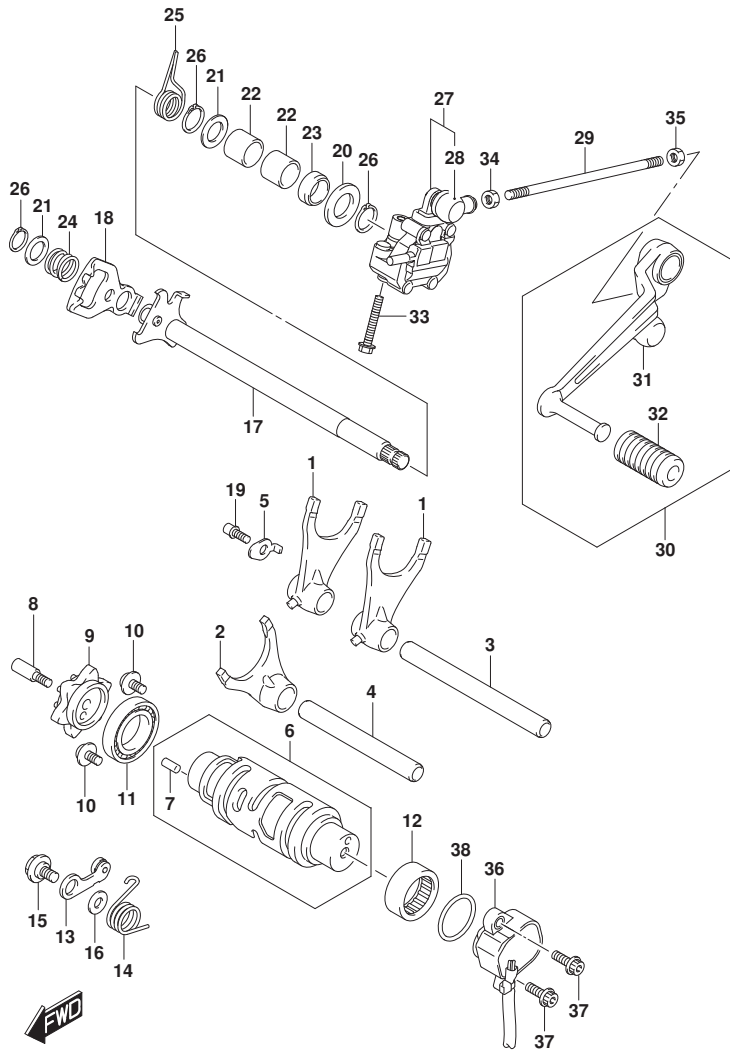


FIG.212A (1-C-14) GEAR SHIFTING

REF NO.	PART NO.	DESCRIPTION	Q'TY	REMARKS
36	37730-48K00	SENSOR ASSY,GEAR POSITION	1	
37	09106-05023	BOLT (5X16)	2	
38	09280-26005	O-RING (D:2.4, ID:26.2)	1	

FIG.301A

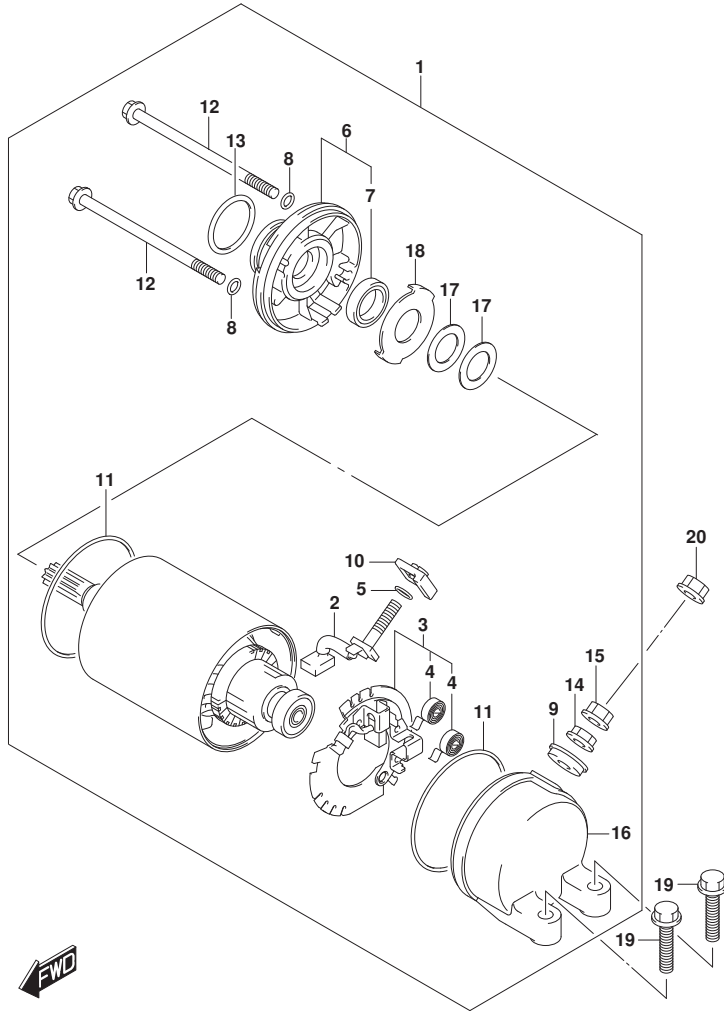


FIG.301A (1-C-15) STARTING MOTOR

REF NO.	PART NO.	DESCRIPTION	Q'TY	REMARKS
1	31100-04K00	MOTOR ASSY,STARTING	1	
2	31130-38300	.BRUSH (+)	1	
3	31132-27A01	.HOLDER,BRUSH	1	
4	31135-65010	..SPRING	2	
5	31143-38300	.O-RING	1	
6	31150-04K00	.HOUSING ASSY,STARTER	1	
7	31153-49210	..SEAL,OIL	1	
8	31156-38300	.O-RING	2	
9	31172-38300	.BUSHING	1	
10	31171-38300	.BUSH,B	1	
11	31264-44110	.O-RING	2	
12	31281-88C00	.BOLT	2	
13	09280-24003	.O-RING (D:3,ID:24.5)	1	
14	08310-00067	.NUT	1	
15	08361-3506A	.NUT	1	
16	31170-04K00	.FRAME,STARTER END	1	
17	31361-38300	.SHIM	2	
18	31361-43400	.WASHER	1	
19	01547-0625A	BOLT	2	
20	08361-3506A	NUT	1	

FIG.304A

FIG.304A (1-C-16) GENERATOR

REF NO.	PART NO.	DESCRIPTION	Q'TY	REMARKS
1	31402-41G10	ROTOR ASSY	1	
2	31401-41G20	STATOR ASSY	1	
3	32371-33E00	CLAMP,MAGNETO LEAD	1	
4	09103-12005	BOLT (12X23)	1	
5	07130-0612A	BOLT	1	
6	09106-06122	BOLT (6X30)	3	

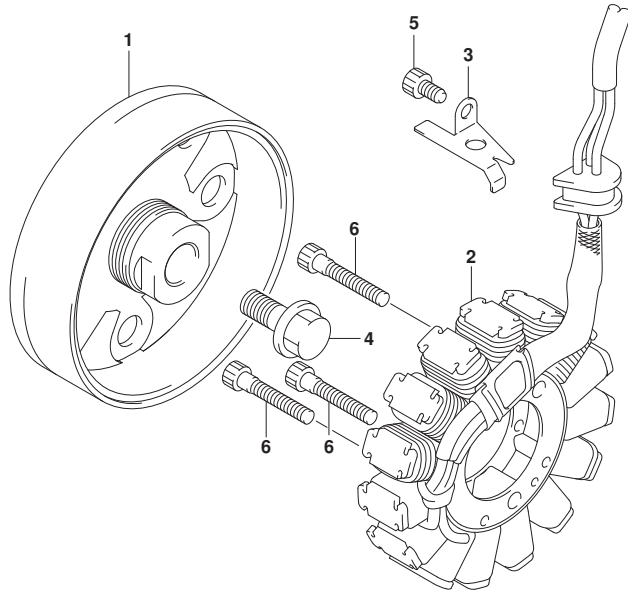


FIG.306A



FIG.306A (1-D-2) SIGNAL GENERATOR

REF NO.	PART NO.	DESCRIPTION	Q'TY	REMARKS
1	33110-35F10	STATOR,SIGNAL GENERATOR	1	
2	33115-33E00	CLAMP,SIGNAL GENERATOR	1	
3	09100-05019	BOLT (5X10)	2	
4	09100-05019	BOLT (5X10)	1	

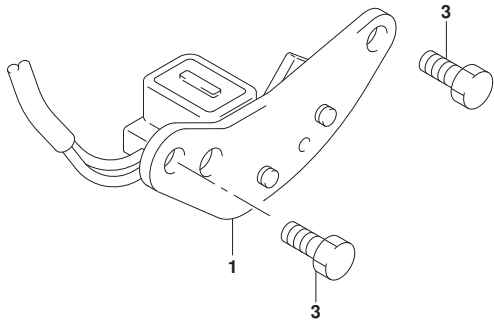
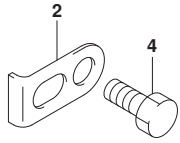


FIG.310A

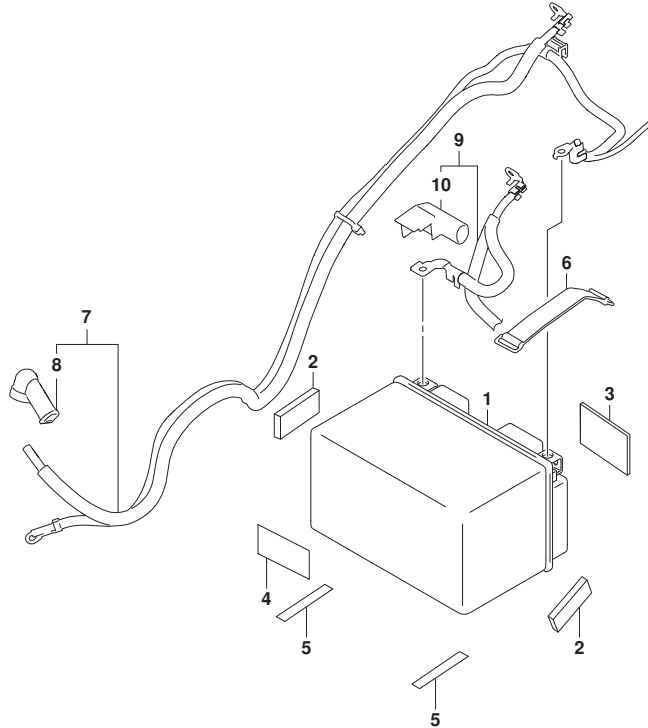


FIG.310A (1-D-3) BATTERY

REF NO.	PART NO.	DESCRIPTION	Q'TY	REMARKS
1	33620-17K01	BATTERY ASSY (YTZ10S,12V8.6AH)	1	
2	33652-28010	PROTECTOR,BATTERY (20X45X6)	2	
3	33652-36000	CUSHION (30X50X3)	1	
4	33652-48K20	PROTECTOR,BATTERY	1	
5	33652-48K40	PROTECTOR,BATTERY	2	
6	09462-00007	BAND	1	
7	33810-48KB0	WIRE,STARTER MOTOR LEAD	1	
8	31861-04K00	.CAP,STARTER MOTOR TERMINAL	1	
9	33820-48KB0	WIRE,BATTERY PLUS LEAD	1	
10	33624-48K00	.CAP,BATTERY PLUS TERMINAL	1	



FIG.311A

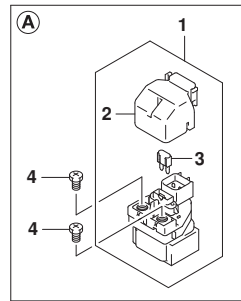
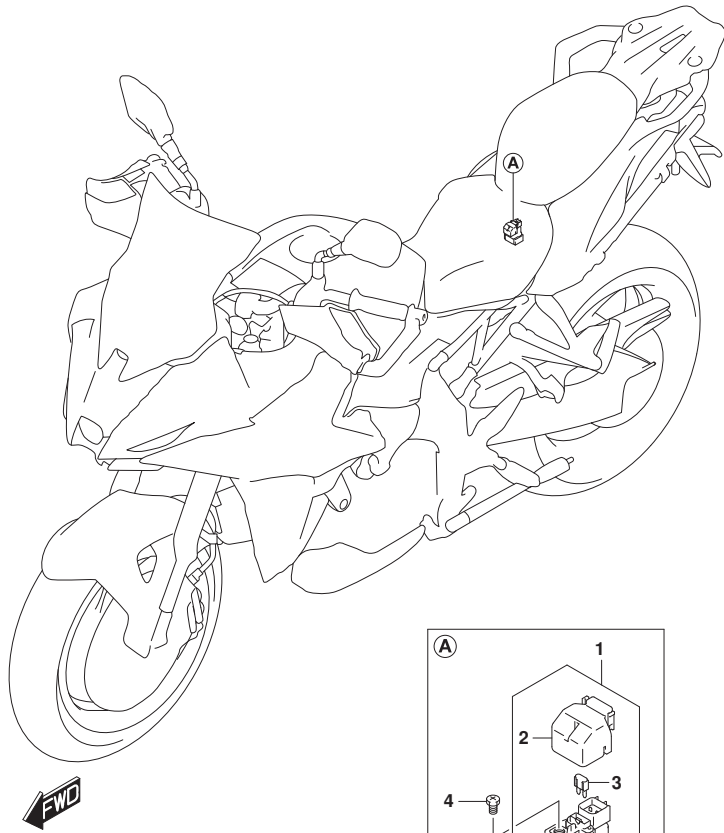


FIG.311A (1-D-4) STARTOR RELAY

REF NO.	PART NO.	DESCRIPTION	Q'TY	REMARKS
1	31800-41G00	RELAY ASSY,STARTING MOTOR	1	
2	31861-38G00	.COVER	1	
3	09481-30501	.FUSE (30A)	2	
4	09128-06013	SCREW (6X8)	2	

FIG.313A

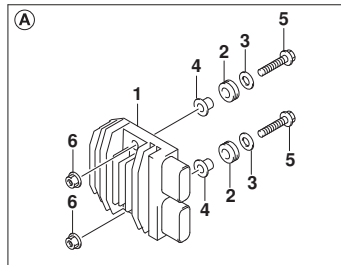
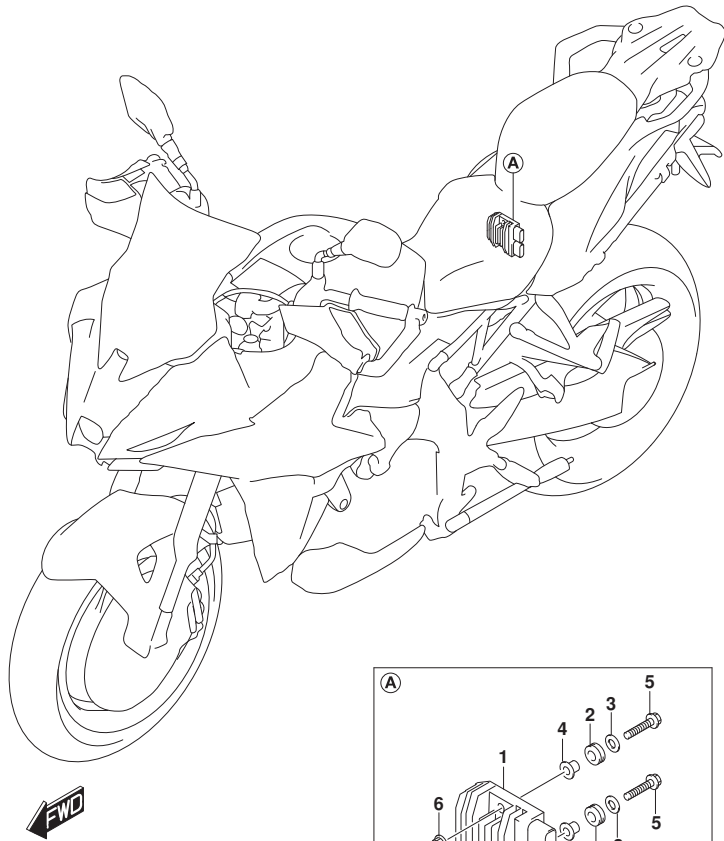


FIG.313A (1-D-5) RECTIFIER

REF NO.	PART NO.	DESCRIPTION	Q'TY	REMARKS
1	32800-07L00	RECTIFIER ASSY	1	
2	55763-17K00	RUBBER, INERTIAL SENSOR MTG	2	
3	09160-06077	WASHER (6.5X20X1.2)	2	
4	09180-06331	SPACER (6.2X8.4X10.9)	2	
5	01550-0635A	BOLT	2	
6	08316-1006A	NUT (6X12)	2	

FIG.316A

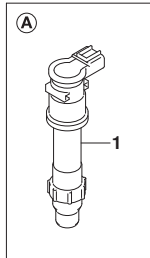
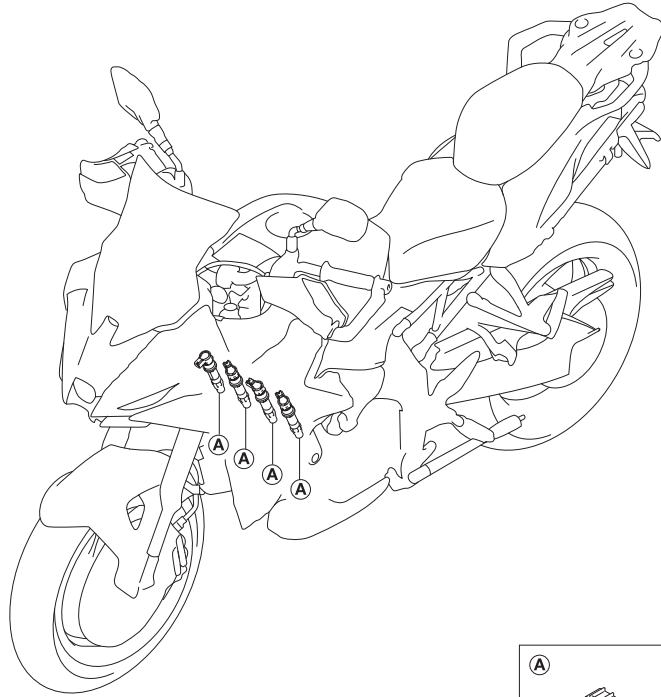


FIG.316A (1-D-6) IGNITION COIL

REF NO.	PART NO.	DESCRIPTION	Q'TY	REMARKS
1	33410-47H00	COIL ASSY,IGNITION	4	



FIG.322A

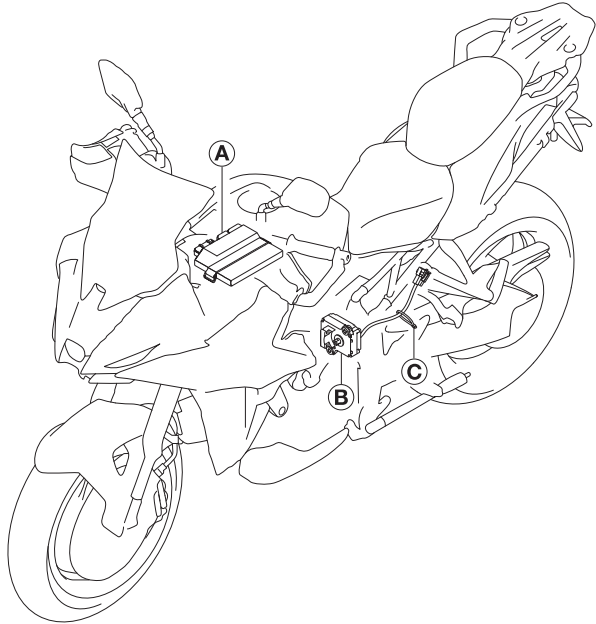


FIG.322A (1-D-7) ELECTRIC POWER CONTROL UNIT

REF NO.	PART NO.	DESCRIPTION	Q'TY	REMARKS
1	32910-48K00	HARDWARE,FI CONTROL UNIT	1	
2	33652-38A10	PROTECTOR (20X90X2.0)	2	
3	33652-36100	CUSHION (30X40X2.0)	3	
4	44277-18K00	CUSHION,TANK COVER FR (10X30X8)	2	
5	09462-00015	BAND	1	
6	33970-47H03	ACTUATOR ASSY	1	
7	36990-06L00	CLAMP,HANDLE SWITCH (L:145)	1	
8	09116-06202	BOLT (6X25)	1	
9	09159-05019	NUT (M5)	1	
10	09160-05045	WASHER (5.5X18X1.0)	2	
11	09160-06126	WASHER (6.5X14X2.0)	1	
12	09180-06161	SPACER (6.5X16X15)	1	
13	09407-14407	CLAMP (L:145)	1	
14	01547-0550A	BOLT	1	
15	47420-48K00	BRACKET,ACTUATOR	1	

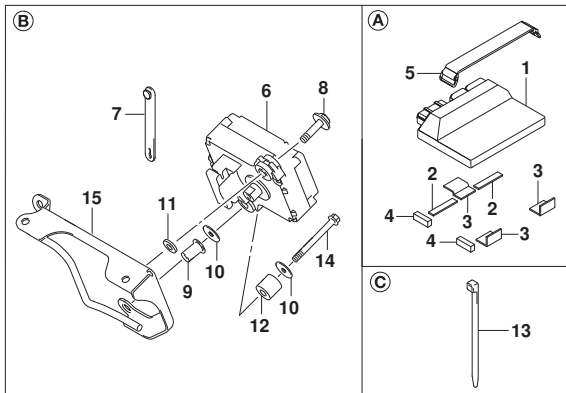


FIG.330A

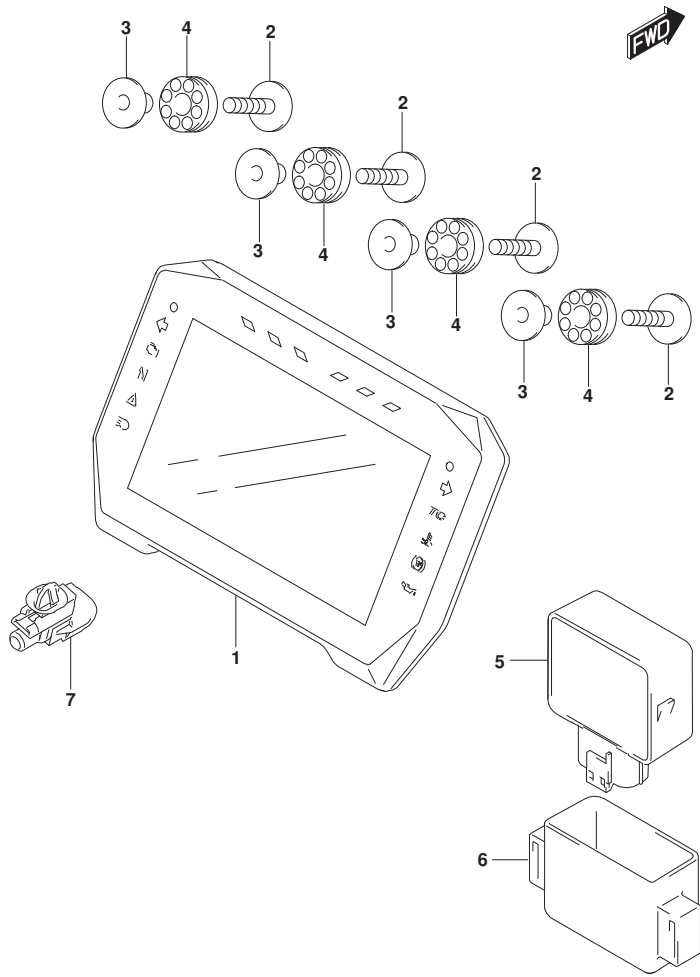


FIG.330A (1-D-8) SPEEDOMETER

REF NO.	PART NO.	DESCRIPTION	Q'TY	REMARKS
1	34100-48KF0	SPEEDOMETER ASSY	1	
2	09116-05030	BOLT	4	
3	34187-48K01	SPACER,SPEEDOMETER	4	
4	34955-10L00	CUSHION,SPEEDOMETER	4	
5	36770-48K00	CONTROL UNIT,LIN	1	
6	36771-48K00	PROTECTOR,LIN CONTROL UNIT	1	
7	#95643-58J00	SENSOR,AIR TEMP	1	

FIG.333A

FIG.333A (1-D-9) HEADLAMP

REF NO.	PART NO.	DESCRIPTION	Q'TY	REMARKS
1	35100-48KB0	HEADLAMP ASSY	1	
2	09136-05062	SCREW (5X15)	4	
3	09320-09059	CUSHION (9X18X14)	4	
4	09329-18001	CUSHION	1	
5	36101-48KB0	LAMP ASSY,FRONT POSITION,R	1	
6	36102-48KB0	LAMP ASSY,FRONT POSITION,L	1	
7	47161-40D10	CUSHION,SPOILER (6X25X2)	2	
8	94443-06G00	TAPE (6X25X0.13)	2	
9	09404-06429	CLAMP (L:45)	1	
10	03541-0516A	SCREW	4	

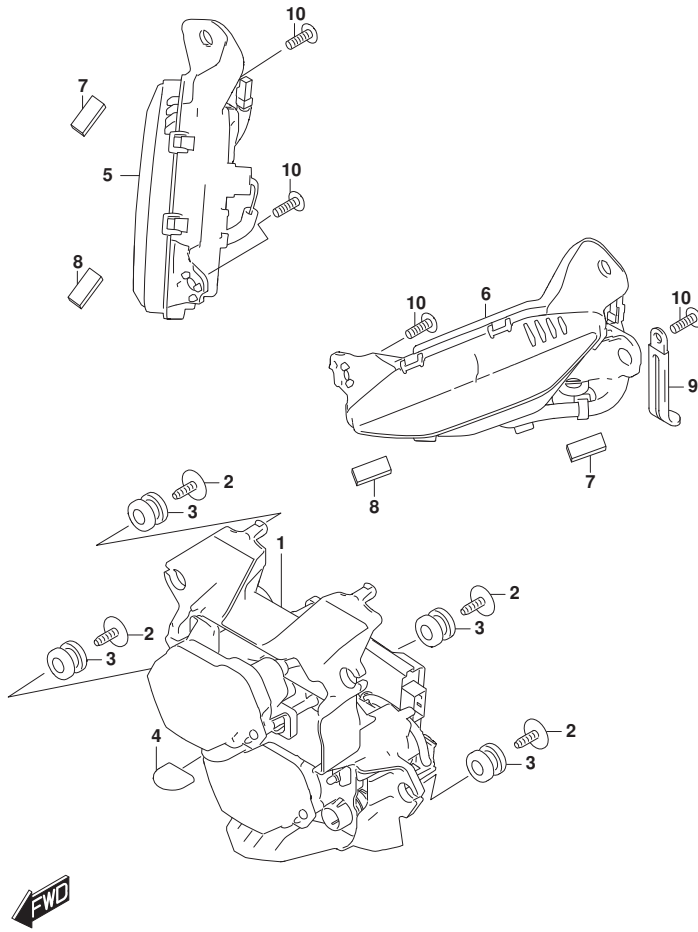


FIG.334A

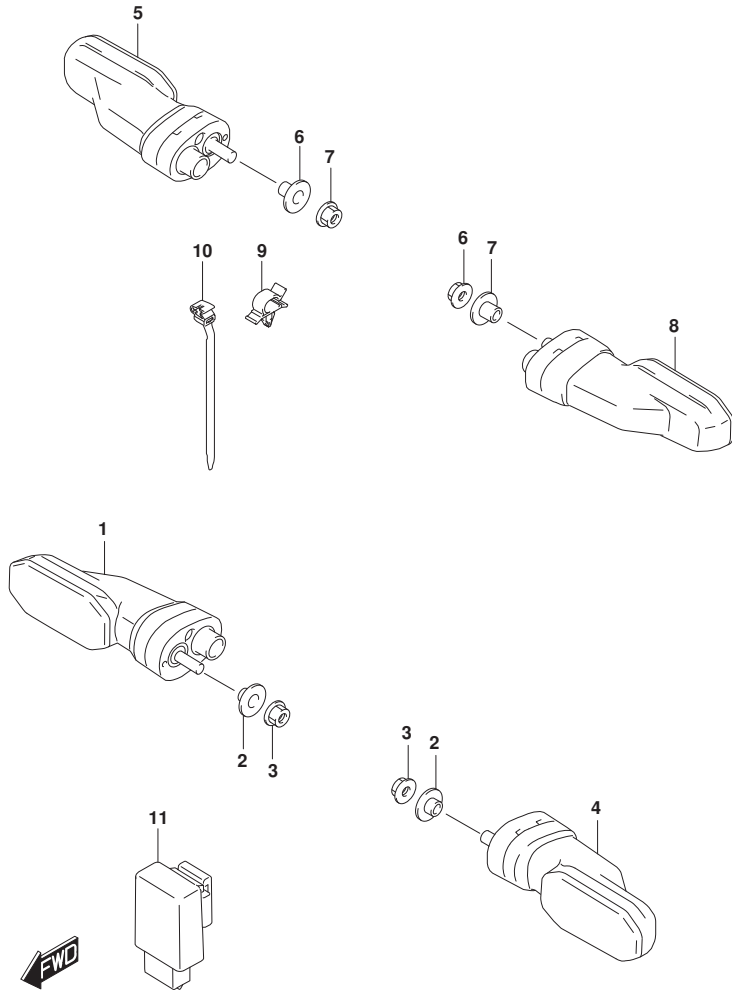


FIG.334A (1-D-10) TURNSIGNAL LAMP

REF NO.	PART NO.	DESCRIPTION	Q'TY	REMARKS
1	35601-48KB1	LAMP ASSY,FRONT TURNSIGNAL,R	1	
2	09169-06100	WASHER	2	
3	08316-1006A	NUT (6X12)	2	
4	35602-48KB1	LAMP ASSY,FRONT TURNSIGNAL,L	1	
5	35603-48KD0	LAMP ASSY,REAR TURNSIGNAL,R	1	
6	09169-06100	WASHER	2	
7	08316-1006A	NUT (6X12)	2	
8	35604-48KD0	LAMP ASSY,REAR TURNSIGNAL,L	1	
9	09403-10319	CLAMP	1	
10	09407-14414	CLAMP (L:140)	1	
11	38610-06LA1	RELAY ASSY,TURNSIGNAL	1	

FIG.339A

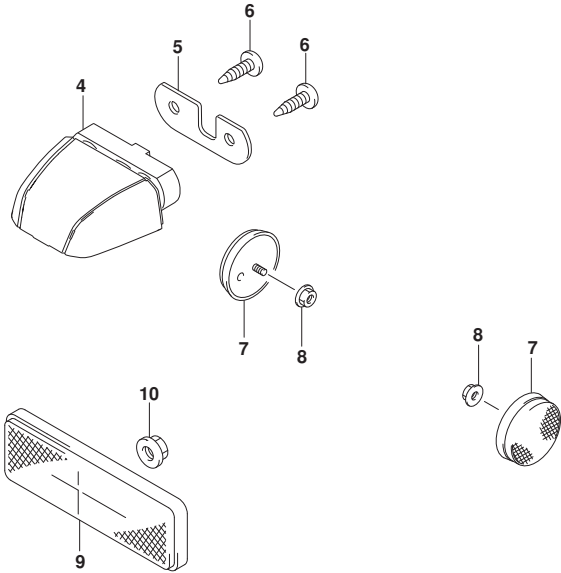
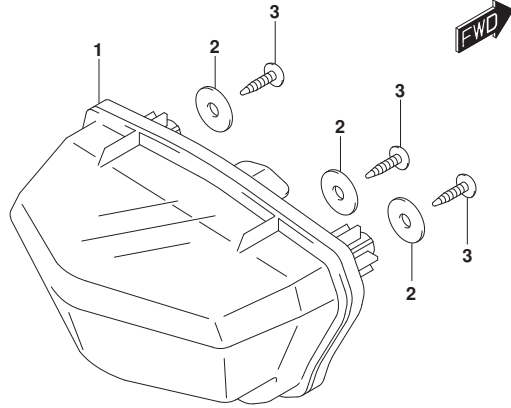


FIG.339A (1-D-11) REAR COMBINATION LAMP

REF NO.	PART NO.	DESCRIPTION	Q'TY	REMARKS
1	35710-31JA0	LAMP ASSY,REAR COMB	1	
2	09160-05501	WASHER (5.5X20X1.2)	3	
3	03541-0516A	SCREW	3	
4	35910-48K00	LAMP ASSY,LICENSE	1	
5	35926-48K00	PLATE,LICENSE LAMP	1	
6	03541-0516A	SCREW	2	
7	35950-13K01	REFLEX REFLECTOR ASSY,FR SIDE	2	
8	08319-3105A	NUT	2	
9	35970-07F01	REFLECTOR ASSY,RR	1	
10	08319-3105A	NUT	1	

FIG.350A

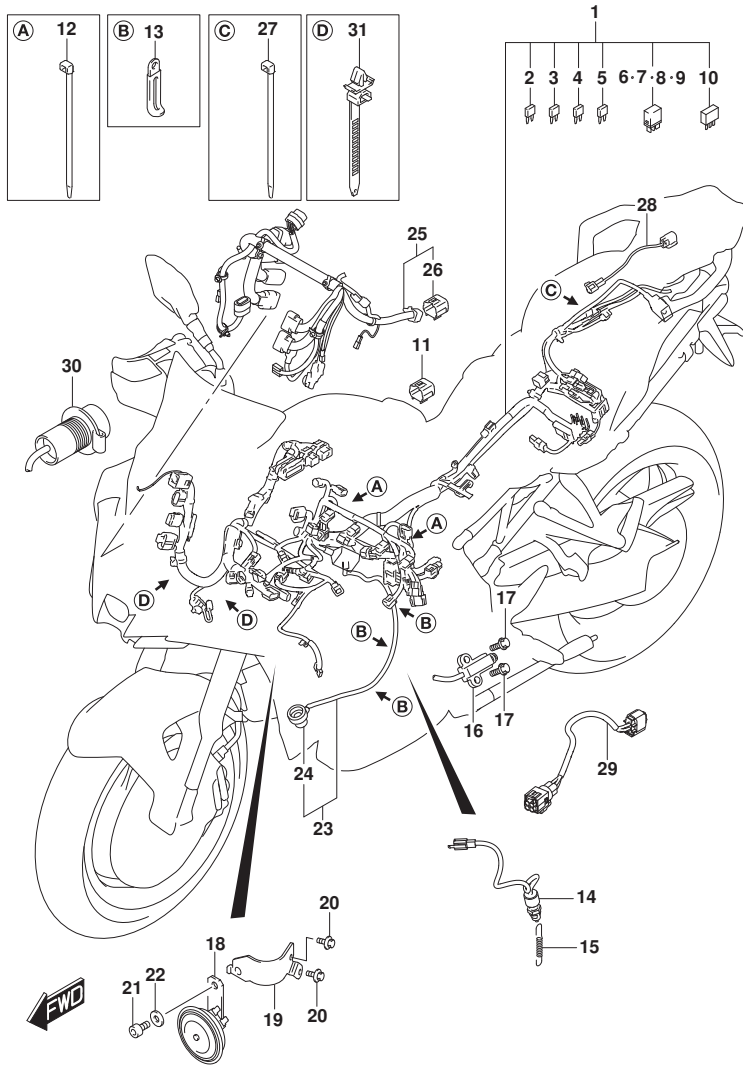


FIG.350A (1-D-12) WIRING HARNESS

REF NO.	PART NO.	DESCRIPTION	Q'TY	REMARKS
1	36610-48KE0	HARNESS,WIRING	1	
2	09481-01501	.FUSE	1	
3	09481-10504	.FUSE (10A)	7	
4	09481-15504	.FUSE (15A)	2	
5	09481-20504	.FUSE (20A)	3	
6	38860-76F01	.RELAY ASSY	1	FOR FUEL PUMP
7	38860-76F01	.RELAY ASSY	1	FOR FAN MOTOR
8	38860-76F01	.RELAY ASSY	1	FOR STARTER
9	38860-76F01	.RELAY ASSY	1	FOR HORN
10	36611-38A10	.DIODE	1	
11	36654-28K00	CAP,OBD CONNECTOR	1	
12	09407-14407	CLAMP (L:145)	2	
13	36651-07L00	CLAMP,OIL PRESS LEAD	3	
14	37740-48K01	SWITCH ASSY,STOP LAMP	1	
15	43232-48K00	SPRING,BRAKE LAMP SWITCH	1	
16	37840-48K00	SWITCH ASSY,SIDE STAND	1	
17	01550-0620A	BOLT (6X20)	2	
18	38500-48K00	HORN ASSY	1	
19	38590-04K10	PLATE,HORN	1	
20	09116-06006	BOLT (6X16)	2	
21	07130-0812A	BOLT	1	
22	09160-08127	WASHER (8.5X22X2.0)	1	
23	36851-48K00	WIRE,OIL PRESSURE SWITCH LEAD	1	
24	36618-31J00	.CAP,OIL PRESSURE SWITCH	1	
25	36620-48KC0	HARNESS,WIRING NO.2	1	
26	36654-06J01	.CAP,TS	1	
27	09407-19401	CLAMP (L:190)	2	
28	36853-48KA0	WIRE,REAR COMB LAMP LEAD	1	
29	36854-48KA0	WIRE,INERTIAL SENSOR LEAD	1	
30	39105-48K00	SOCKET,USB	1	
31	09407-11402	CLAMP (L:90)	2	

FIG.352A

FIG.352A (1-D-13) LOCK SET

REF NO.	PART NO.	DESCRIPTION	Q'TY	REMARKS
1	37102-48890	LOCK SET	1	
2	37100-48K30	.LOCK ASSY,STEERING	1	
3	37152-17K00	BOLT,STEERING LOCK (8X20)	2	
4	37180-04KA2	ANTENNA ASSY,IMMOBILIZER	1	
5	09169-05024	WASHER	2	
6	01547-0512A	BOLT	2	
7	37146-48K10	KEY,BLANK	1	OPT

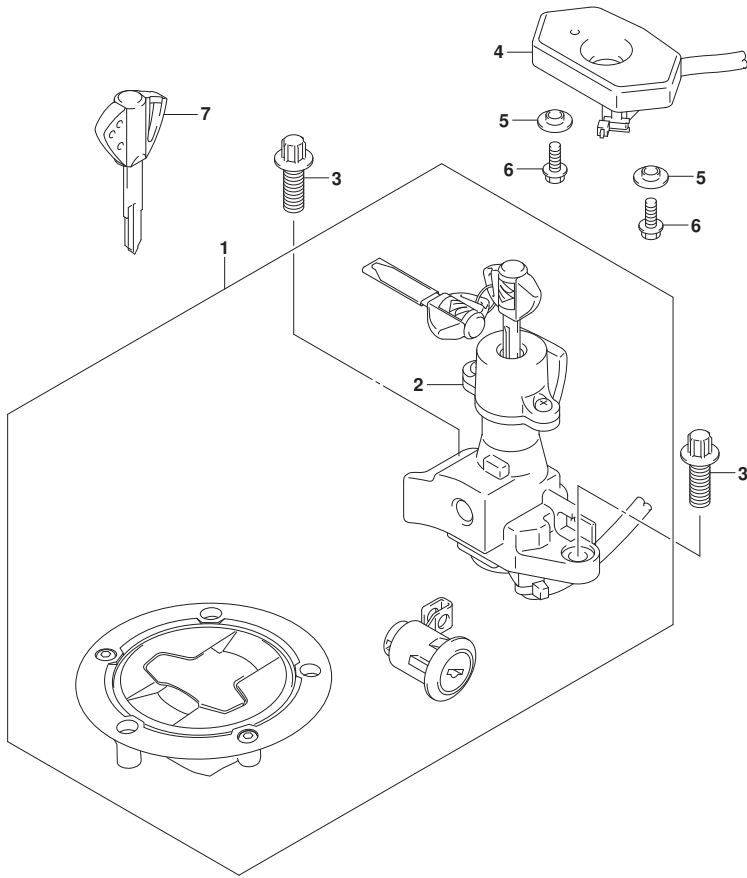


FIG.355A



FIG.355A (1-D-14) HANDLE SWITCH

REF NO.	PART NO.	DESCRIPTION	Q'TY	REMARKS
1	37400-48K20	SWITCH ASSY,HANDLE,L	1	
2	36990-06L00	CLAMP,HANDLE SWITCH (L:145)	4	

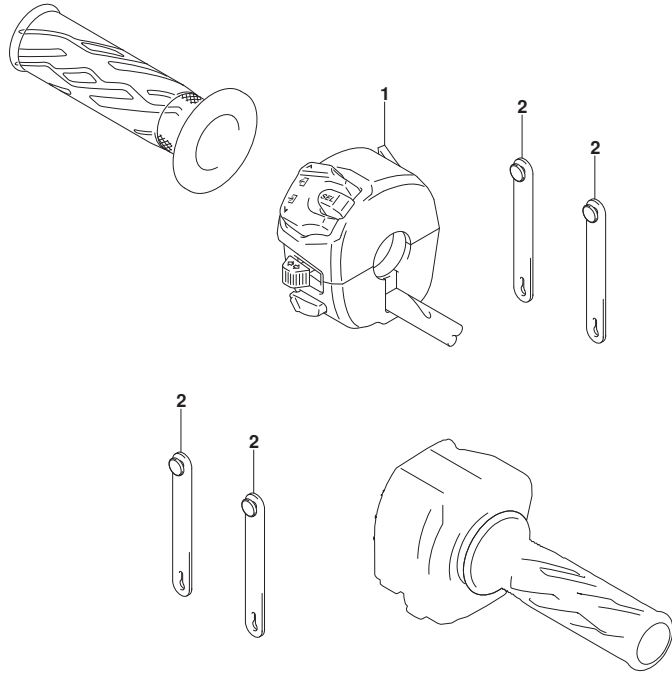


FIG.401A

FIG.401A (1-D-15) FRAME

REF NO.	PART NO.	DESCRIPTION	Q'TY	REMARKS
1	41100-04K20-YAP	FRAME (BLACK)	1	
2	43585-01H01	PLUG,TANK RAIL	2	
3	41200-48K10-QKA	RAIL,SEAT (SILVER)	1	
4	07120-1035A	BOLT,SEAT RAIL	4	
5	41911-40F01	SPACER,ENGINE MOUNTING	1	
6	09106-08185	BOLT (8X32)	1	
7	41921-16G10	BOLT,CRANK CASE ADJUST LWR	2	
8	41922-33E20	NUT,CRANK CASE ADJUST LWR	2	
9	41139-21H10	CUSHION,FRAME HEAD	1	
10	94474-22D00	PROTECTOR (30X70)	2	
11	45517-16G20	TAPE,FUEL TANK (30X40X0.2)	1	

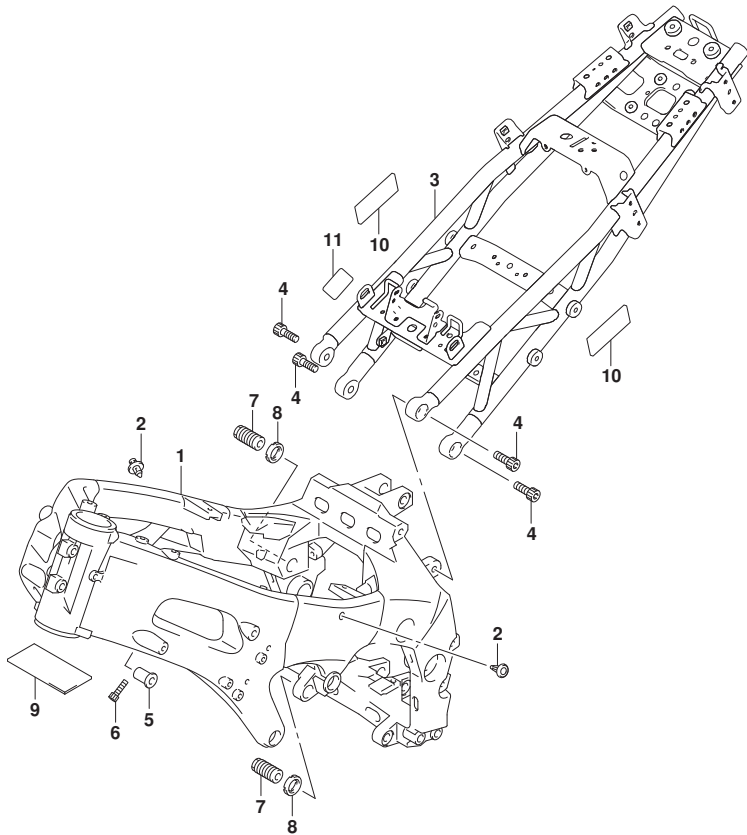


FIG.406A

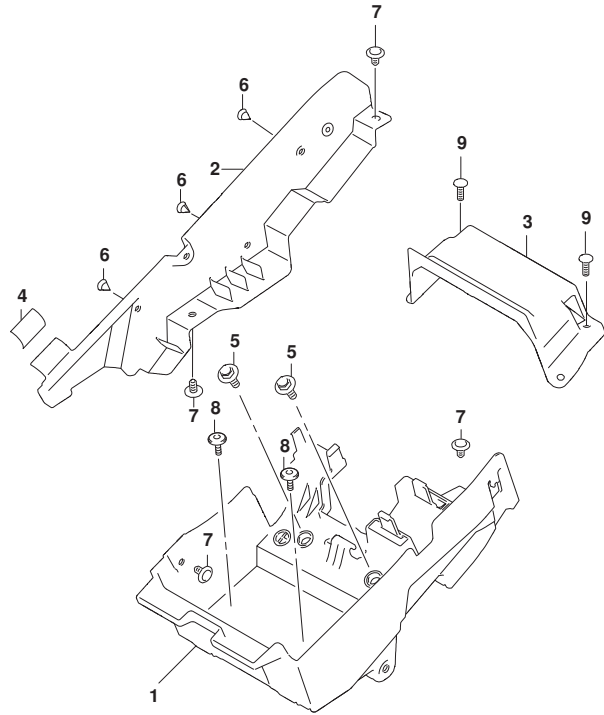


FIG.406A (1-D-16) HOLDER

REF NO.	PART NO.	DESCRIPTION	Q'TY	REMARKS
1	47411-48K20	HOLDER,BATTERY	1	
2	47412-48K20	COVER,BATTERY HOLDER,R	1	
3	47414-48K20	HOLDER,ELECTRIC PARTS	1	
4	44281-29C00	CUSHION (30X30X3)	1	
5	09111-06072	BOLT (6X17.8)	2	
6	09250-06017	PLUG (OD:10)	3	
7	09409-06328	CLIP	4	
8	09139-06220	SCREW (6X13)	2	
9	03541-0516A	SCREW	2	



FIG.407A

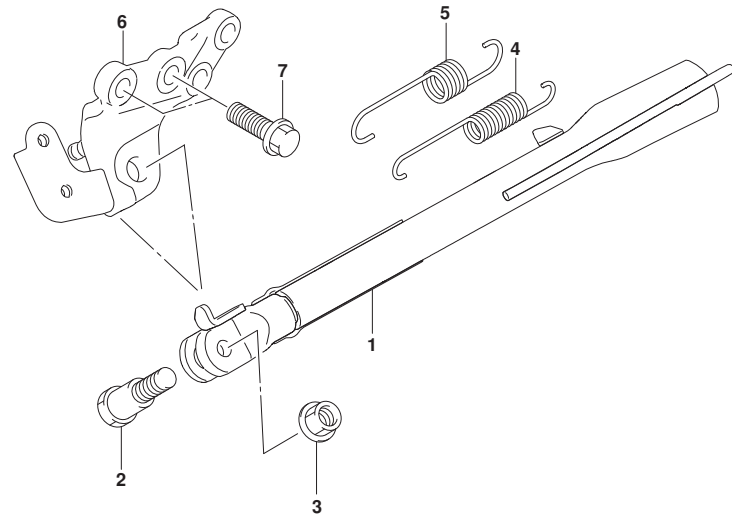
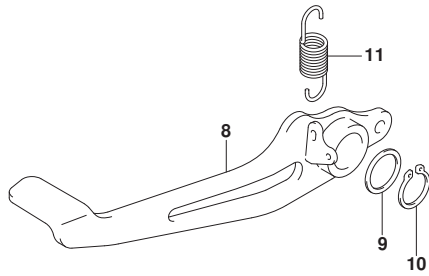


FIG.407A (1-E-2) STAND

REF NO.	PART NO.	DESCRIPTION	Q'TY	REMARKS
1	42310-48K00	STAND,PROP	1	
2	09111-10059	BOLT (10X21)	1	
3	09159-10111	NUT	1	
4	09443-14069	SPRING	1	
5	09443-19012	SPRING	1	
6	42330-48K00	BRACKET,PROP STAND	1	
7	09103-10366	BOLT (10X30)	2	
8	43110-04K10	PEDAL,BRAKE	1	
9	09160-18022	WASHER (18X24X1.0)	1	
10	08331-3118A	CIRCLIP	1	
11	09443-13032	SPRING	1	

FIG.412A

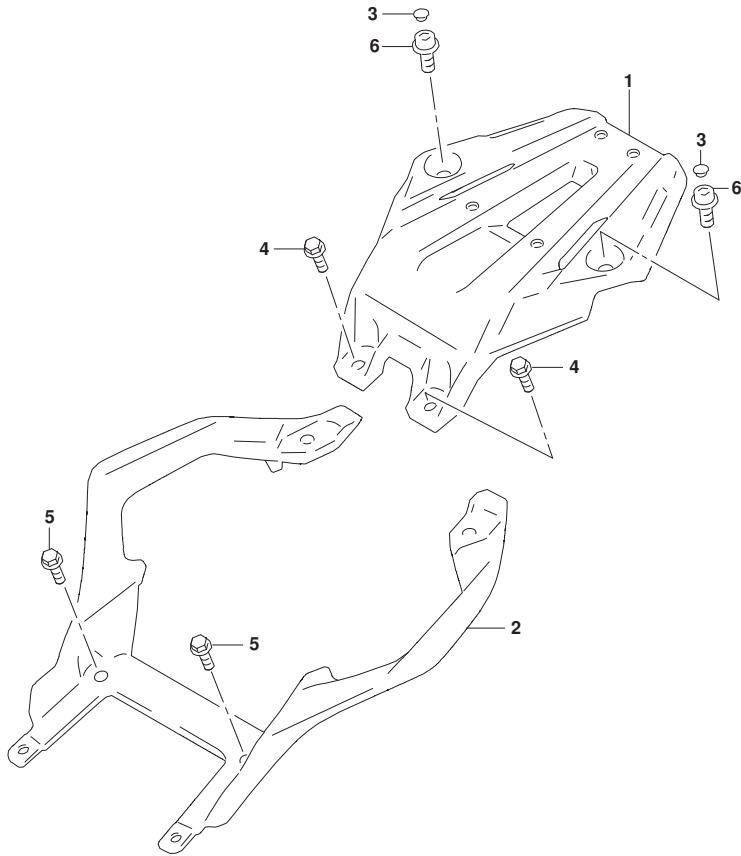


FIG.412A (1-E-3) CARRIER

REF NO.	PART NO.	DESCRIPTION	Q'TY	REMARKS
1	46311-48K00	BODY,REAR CARRIER	1	
2	46312-48K00	ARM,REAR CARRIER	1	
3	09250-08012	CAP (OD:12)	2	
4	01550-0825A	BOLT	2	
5	01550-0825A	BOLT	2	
6	07120-1025A	BOLT	2	



FIG.415A

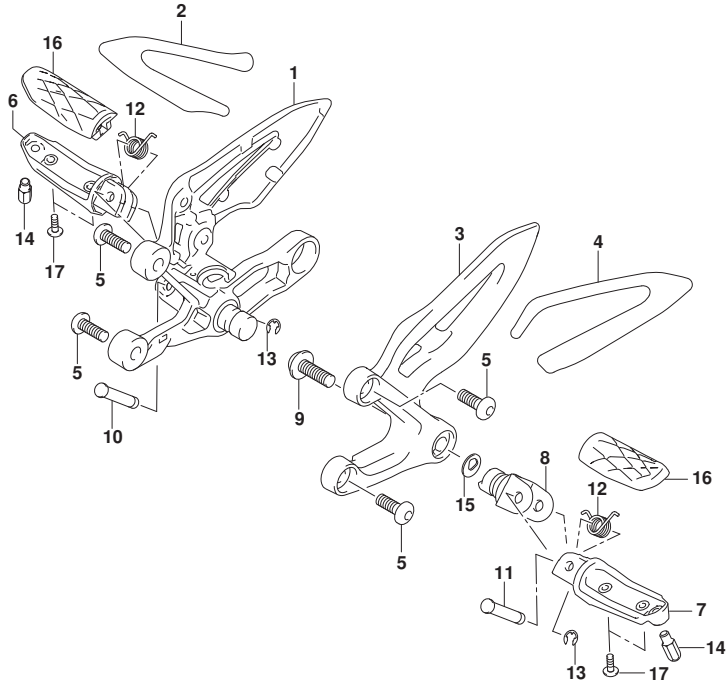


FIG.415A (1-E-4) FOOTREST

REF NO.	PART NO.	DESCRIPTION	Q'TY	REMARKS
1	43510-48K10	BRACKET,FR FOOTREST,R	1	
2	43571-04K10	TAPE,FR FOOTREST,R	1	
3	43521-48K10	BRACKET,FR FOOTREST,L	1	
4	43572-04K10	TAPE,FR FOOTREST,L	1	
5	09106-08209	BOLT	4	
6	43511-44G50	BAR,FRONT FOOTREST,R	1	
7	43521-44G50	BAR,FRONT FOOTREST,L	1	
8	43540-48K20	HOLDER,FOOTREST,L	1	
9	09106-10064	BOLT (10X28)	1	
10	09208-08019	PIN	1	
11	09208-08018	PIN	1	
12	43581-48K00	SPRING,FRONT FOOTREST	2	
13	08332-1106A	E-RING	2	
14	43576-31J00	SENSOR,FOOTREST	2	
15	43533-48K20	WASHER,FOOTREST HOLDER	1	
16	43550-48K00	RUBBER,FOOTREST	2	
17	09125-05147	SCREW	4	



FIG.417A

FIG.417A (1-E-5) PILLION FOOTREST

REF NO.	PART NO.	DESCRIPTION	Q'TY	REMARKS
1	43811-48K00	BRACKET,PILLION FOOTREST,R	1	
2	43821-48K00	BRACKET,PILLION FOOTREST,L	1	
3	43611-10L00	BAR,PILLION FOOTREST RH	1	
4	43621-10L00	BAR,PILLION FOOTREST LH	1	
5	09200-08076	PIN	2	
6	09440-06039	SPRING	2	
7	06111-08004	BALL	2	
8	43816-10L00	PLATE,PILLION FOOTREST	2	
9	04111-2015A	PIN	2	
10	18592-68K00	O-RING (D:2.4,ID:6.9)	2	
11	09160-08090	WASHER (8.5X14X1.6)	2	
12	09106-08213	BOLT	4	
13	43550-10L00	RUBBER,FOOTREST	2	
14	02142-0516A	SCREW	4	

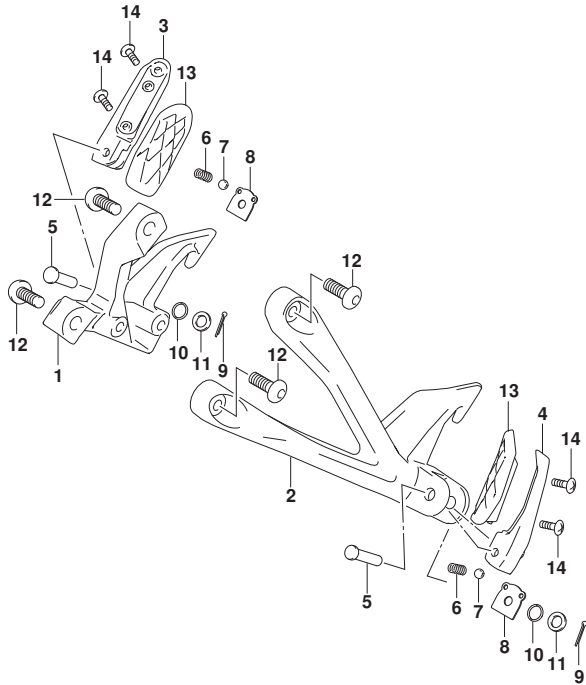


FIG.420A

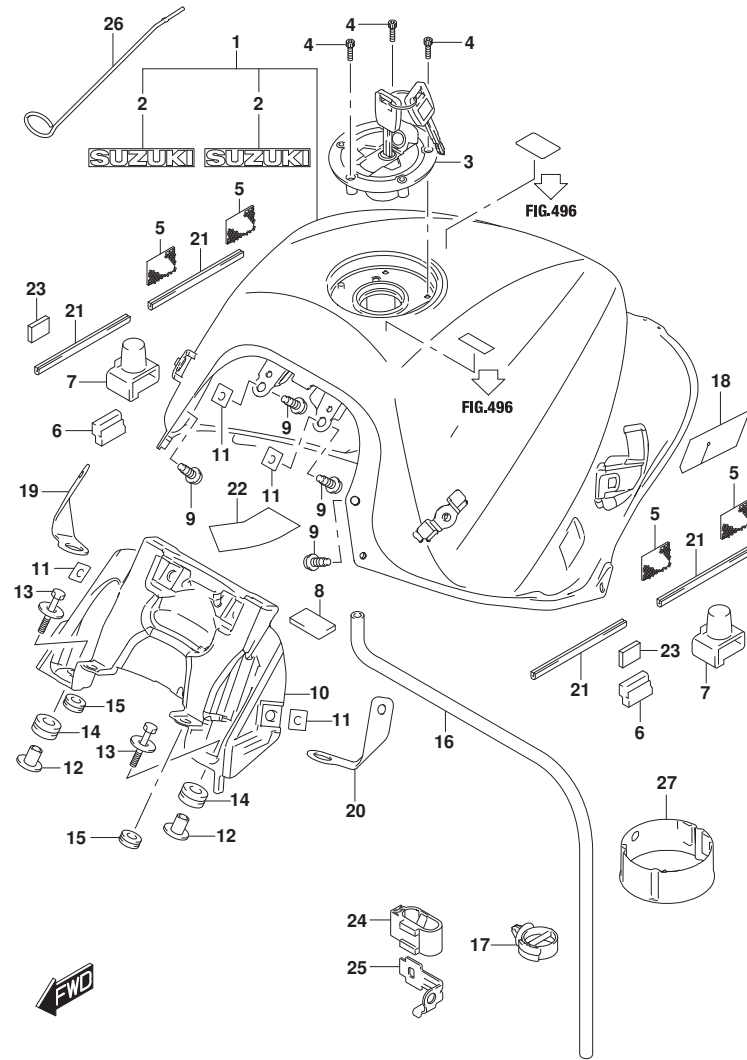


FIG.420A (1-E-6) FUEL TANK

REF NO.	PART NO.	DESCRIPTION	Q'TY	REMARKS
1-1	44100-48KA0-YSF	TANK ASSY,FUEL (BLUE)	1	BODY COLOR:YSF
1-2	44100-48KA0-YVB	TANK ASSY,FUEL (BLACK)	1	BODY COLOR:YVB
1-3	44100-48KA0-QU5	TANK ASSY,FUEL (GREEN)	1	BODY COLOR:QU5
2-1	68111-48K00-CC2	.EMBLEM,SUZUKI (SILVER,BLUE)	2	BODY COLOR:YSF
2-2	68111-48K00-AA3	.EMBLEM,SUZUKI (GRAY,BLACK)	2	BODY COLOR:YVB
2-3	68111-48K00-CJG	.EMBLEM,"SUZUKI"	2	BODY COLOR:QU5
3	44200-17840	CAP SET,FUEL TANK FILLER	1	
4	44244-11J00	BOLT,FUEL TANK FILLER CAP	3	
5	44572-13G00	FASTENER (33X25X2.6)	4	
6	44541-41G00	CUSHION,FUEL TANK SIDE	2	
7	44542-04K01	CUSHION,FUEL TANK REAR	2	
8	33652-21G10	CUSHION (40X20X5)	1	
9	44543-04K00	SCREW,FUEL TANK FRONT BRKT	4	
10	44521-04K00	BRACKET,FUEL TANK FRONT	1	
11	44523-47H00	NUT (M6)	4	
12	44512-04K00	SPACER,FUEL TANK FRONT	2	
13	09116-06172	BOLT (6X30)	2	
14	09320-10050	CUSHION (10X22X13)	2	
15	09320-06504	CUSHION (6X18X6)	2	
16	44423-48K00	HOSE,FUEL TANK DRAIN	1	
17	09403-20307	CLAMP	1	
18	44283-06JA0	PROTECTOR,FUEL TANK INNER	1	
19	44561-04K00	BRACKET,FUEL TANK FRONT RH	1	
20	44571-04K00	BRACKET,FUEL TANK FRONT LH	1	
21	44552-24B00	MOLDING,FUEL TANK (L:110)	4	
22	44285-48K00	CUSHION,FUEL TANK	1	
23	44572-44G00	FASTENER (20X15X2.6)	2	
24	44484-07L00	CLAMP,DRAIN HOSE	1	
25	44485-07L00	BRACKET,HOSE CLAMP	1	
26	44560-23H00	STAY, FUEL TANK	1	
27	44121-07L00	VESSEL,FUEL TANK INNER	1	

FIG.422A

FIG.422A (1-E-7) FUEL TANK FRONT COVER

REF NO.	PART NO.	DESCRIPTION	Q'TY	REMARKS
1	44281-48K00	COVER,FUEL TANK FRONT	1	
2	68281-47HA0	EMBLEM,S	1	
3	09139-06200	SCREW (6X12)	2	
4	09409-08326	CLIP (10.5X14.3)	2	
5	09409-06314	CLIP (5.9X20.5)	2	
6	44282-48K00	CUSHION,FUEL TANK COVER NO.1	2	
7	44283-48K00	CUSHION,FUEL TANK COVER NO.2	2	
8	44286-48K00	CUSHION,FUEL TANK COVER NO.5	1	
9	44894-24A00	CUSHION (10X30X2)	2	
10	44271-04K01	COVER,FUEL TANK LOWER	1	
11	44894-24A00	CUSHION (10X30X2)	2	
12	09148-05052	NUT (M5)	2	

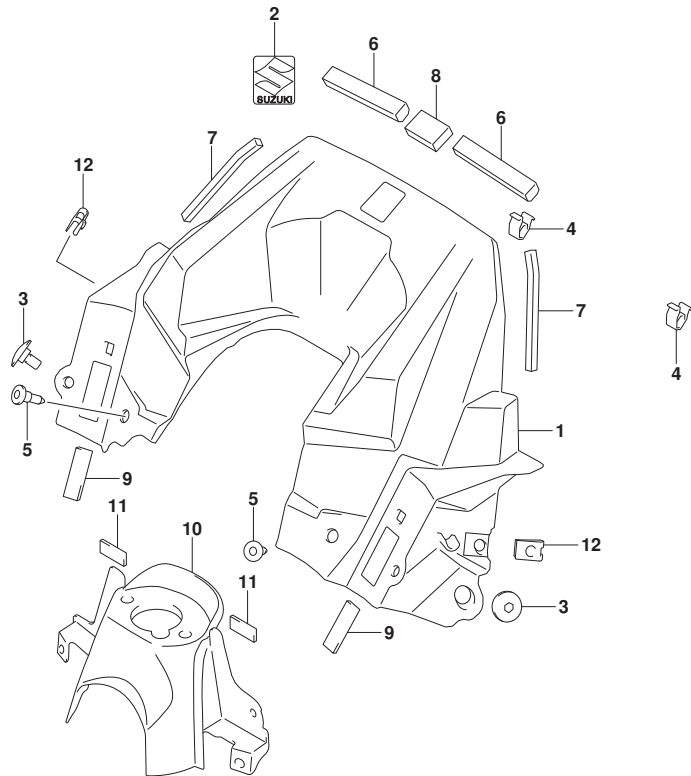


FIG.425A

FIG.425A (1-E-8) FUEL TANK BRACKET

REF NO.	PART NO.	DESCRIPTION	Q'TY	REMARKS
1	44530-04K00	BRACKET,FUEL TANK REAR	1	
2	09139-06203	SCREW (6X24)	4	
3	44542-48K00	CUSHION,FUEL TANK REAR LOWER	1	
4	44541-48K00	CUSHION,FUEL TANK REAR UPPER	1	
5	09103-06060	BOLT (6X100)	1	
6	44561-18G00	SPACER,FUEL TANK RR	1	
7	09159-06076	NUT (M6)	1	

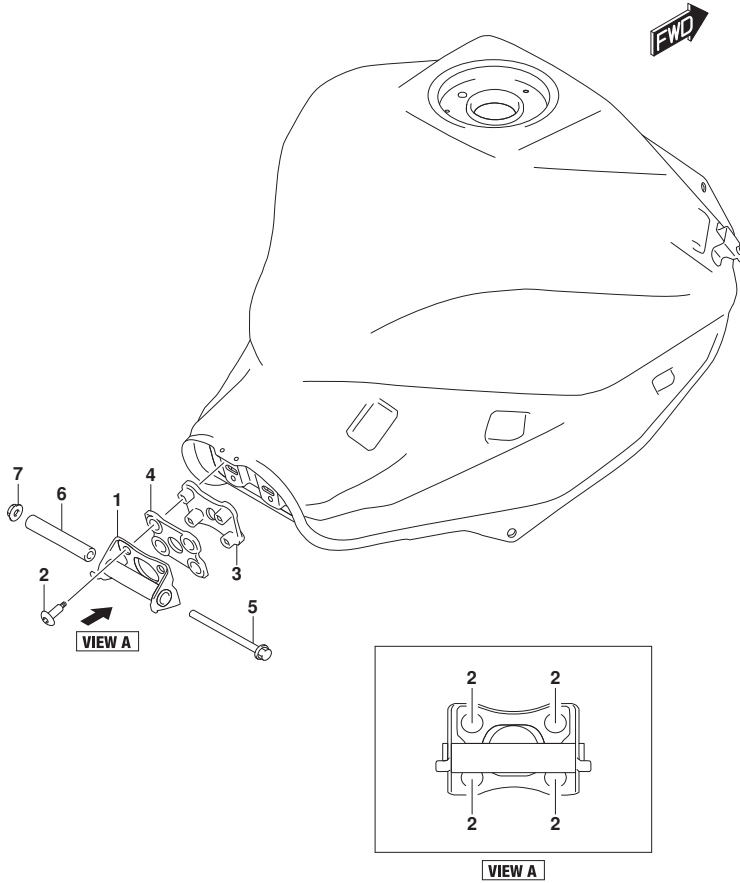


FIG.427A

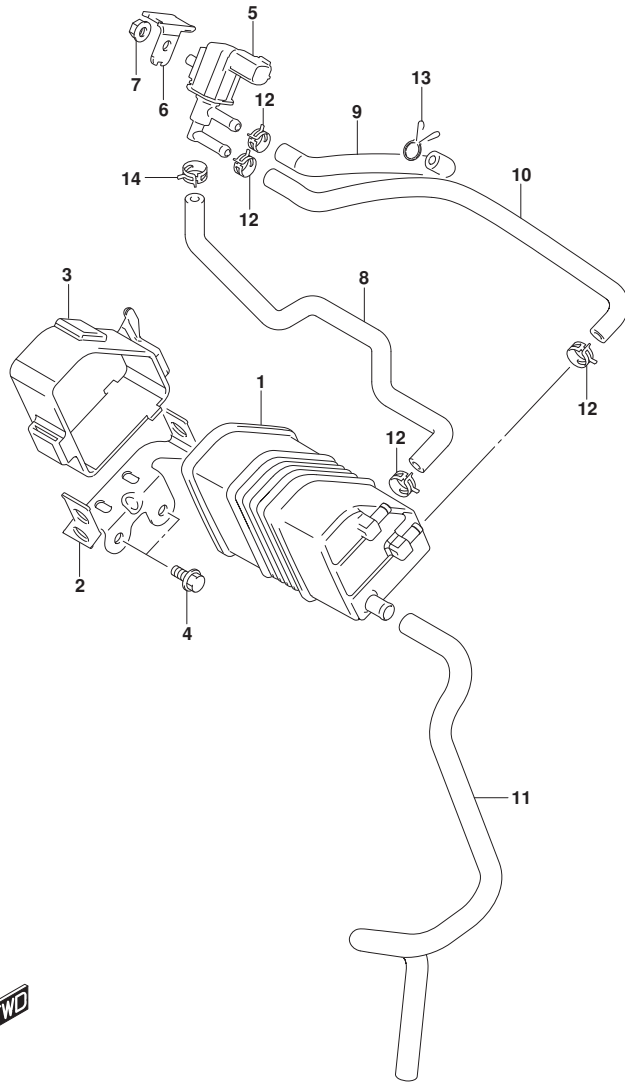


FIG.427A (1-E-9) EVAP SYSTEM

REF NO.	PART NO.	DESCRIPTION	Q'TY	REMARKS
1	18560-04K01	CANISTER ASSY,CHARCOAL	1	
2	18571-04K00	BRACKET,CANISTER	1	
3	18572-04K00	CUSHION,CANISTER	1	
4	01550-0612A	BOLT	2	
5	18114-74P00	VALVE,CANISTER PURGE	1	
6	18573-04K00	BRACKET,PURGE VALVE	1	
7	08316-1006A	NUT (6X12)	1	
8	18561-48K00	HOSE,SURGE (NBR)	1	
9	18563-48K00	HOSE,PURGE NO.2 (NBR)	1	
10	18562-48K00	HOSE,PURGE NO.1 (NBR)	1	
11	18564-04K00	HOSE,CANISTER DRAIN	1	
12	09401-10409	CLIP (ID:10.5,H:8)	4	
13	09401-10403	CLIP (ID:10)	1	
14	09401-11413	CLIP (ID:11,H:8)	1	



FIG.433A

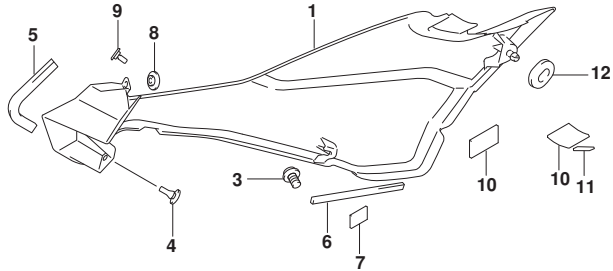


FIG.433A (1-E-10) SIDE COVER

REF NO.	PART NO.	DESCRIPTION	Q'TY	REMARKS
1	47111-48K10	COVER,FRAME FRONT,R	1	
2	47211-48K10	COVER,FRAME FRONT,L	1	
3	09409-10314	CLIP	2	
4	09321-06026	CUSHION	2	
5	63312-29F00	CUSHION (10X10X120)	2	
6	44176-31J00	CUSHION (5X120X6)	2	
7	44572-37H00	FASTENER,COWLING (20X15X0.8)	2	
8	45148-27J00	CUSHION,SEAT MOUNT	2	
9	09139-05091	SCREW (5X13)	2	
10	44572-13G00	FASTENER (33X25X2.6)	4	
11	47161-40D10	CUSHION,SPOILER (6X25X2)	2	
12	09320-08029	CUSHION	2	

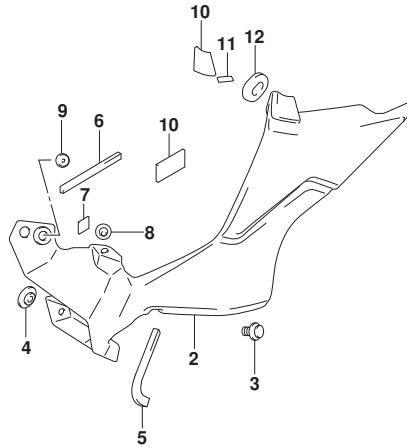


FIG.434A

FIG.434A (1-E-11) SIDE REAR COVER

REF NO.	PART NO.	DESCRIPTION	Q'TY	REMARKS
1	47131-48K10	COVER,FRAME RR LWR RH	1	
2	47231-48K20	COVER,FRAME RR LWR,L	1	
3	09159-05019	NUT (M5)	2	
4	03541-0512B	SCREW	8	
5	03541-0516A	SCREW	6	
6	09148-05038	NUT (M5)	6	
7	02142-1520B	SCREW	2	
8	09409-08308	CLIP (7.6X25.7)	2	
9	09111-06262	BOLT (6X13.5)	6	
10	09409-08326	CLIP (10.5X14.3)	4	
11-1	47121-48K10-YSF	COVER,FRAME,R (BLUE)	1	BODY COLOR:YSF
11-2	47121-48K10-YVB	COVER,FRAME,R (BLACK)	1	BODY COLOR:YVB
11-3	47121-48K10-QU5	COVER,FRAME,R (GREEN)	1	BODY COLOR:QU5
12-1	47221-48K20-YSF	COVER,FRAME,L (BLUE)	1	BODY COLOR:YSF
12-2	47221-48K20-YVB	COVER,FRAME,L (BLACK)	1	BODY COLOR:YVB
12-3	47221-48K20-QU5	COVER,FRAME,L (GREEN)	1	BODY COLOR:QU5
13	47511-48K00	COVER,FRAME REAR RH	1	
14	47611-48K00	COVER,FRAME REAR LH	1	
15	47311-48K20	COVER,FRAME CENTER	1	
16	94443-06G00	TAPE (6X25X0.13)	2	
17	47232-48K20	GUARD,SEAT LOCK	1	
18	47612-23H00	CUSHION,FRONT SIDE COVER	1	
19	09139-05108	SCREW,KNUCKLE COVER	1	
20	09148-05052	NUT (M5)	1	
21	09250-06017	PLUG (OD:10)	1	
22	09409-06314	CLIP (5.9X20.5)	2	

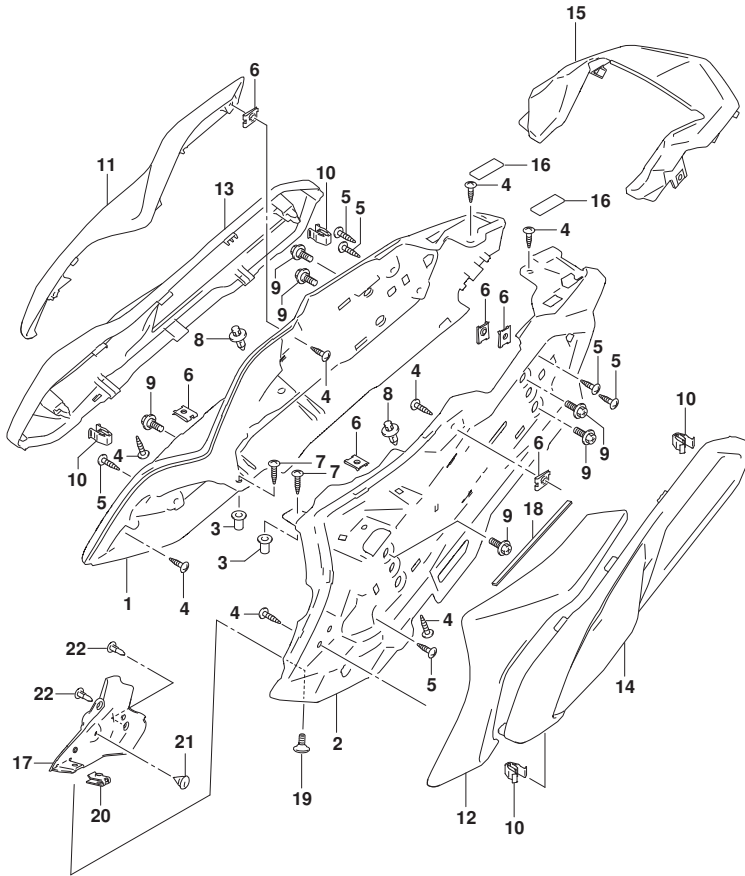


FIG.447A

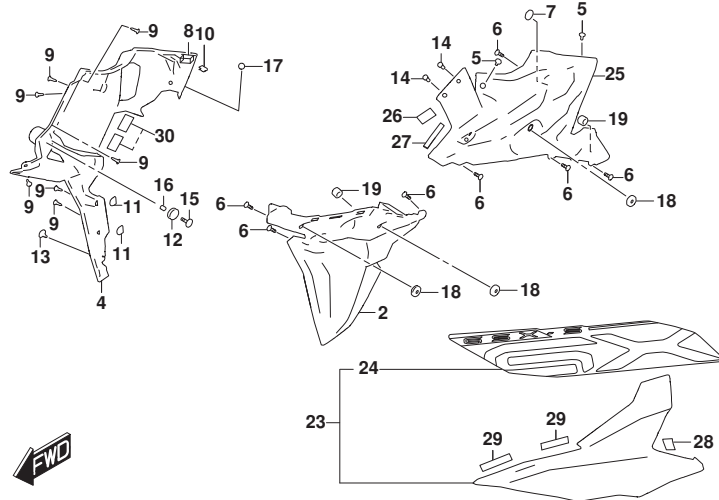
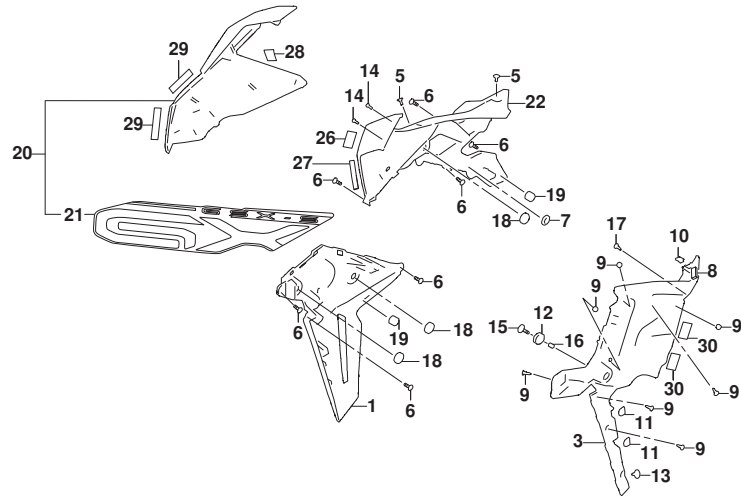


FIG.447A (1-E-12) FRAME BODY COVER

REF NO.	PART NO.	DESCRIPTION	Q'TY	REMARKS
1	94472-48K20	COWLING,SIDE LOWER,R	1	
2	94482-48K20	COWLING,SIDE LOWER,L	1	
3	94461-48K20	COWLING,SIDE INNER,R	1	
4	94462-48K20	COWLING,SIDE INNER,L	1	
5	09139-05108	SCREW,KNUCKLE COVER	2	
6	03541-0516A	SCREW	2	
7	09320-06026	CUSHION	2	
8	36652-04K00	CUSHION (20X50X10)	2	
9	09409-06314	CLIP (5.9X20.5)	2	
10	09148-05052	NUT (M5)	4	
11	09329-18001	CUSHION	4	
12	45148-04K00	CUSHION,SEAT MOUNT	2	
13	94479-35F00	CLIP	2	
14	09139-05103	SCREW,SIDE COWL UPR & BODY	4	
15	09136-06159	SCREW,SIDE COWL INR & BRACE	2	
16	09180-06264	SPACER (6.5X9X10.5)	2	
17	09136-06002	SCREW (6X12)	2	
18	09320-08028	CUSHION (8X26X7)	6	
19	09329-12006	CUSHION	4	
20-1	94470-48K10-QKA	COWLING,SIDE OUTER,R (SILVER)	1	BODY COLOR:YSF
20-2	94470-48K10-YLF	COWLING,SIDE OUTER,R (GRAY)	1	BODY COLOR:YVB
20-3	94470-48K10-CSX	COWLING,SIDE OUTER,R	1	BODY COLOR:QU5
21-1	68131-48K20-CJJ	.EMBLEM,SIDE COWLING OUTER,R	1	BODY COLOR:YSF
21-2	68131-48K20-CJK	.EMBLEM,SIDE COWLING OUTER,R	1	BODY COLOR:YVB
21-3	68131-48K20-CJL	.EMBLEM,SIDE COWLING OUTER,R	1	BODY COLOR:QU5
22	94471-48K20-YKV	COWLING,SIDE UPPER,R (BLACK)	1	
23-1	94480-48K10-QKA	COWLING,SIDE OUTER,L (SILVER)	1	BODY COLOR:YSF
23-2	94480-48K10-YLF	COWLING,SIDE OUTER,L (GRAY)	1	BODY COLOR:YVB
23-3	94480-48K10-CSX	COWLING,SIDE OUTER,L	1	BODY COLOR:QU5
24-1	68141-48K20-CJJ	.EMBLEM,SIDE COWLING OUTER,L	1	BODY COLOR:YSF
24-2	68141-48K20-CJK	.EMBLEM,SIDE COWLING OUTER,L	1	BODY COLOR:YVB
24-3	68141-48K20-CJL	.EMBLEM,SIDE COWLING OUTER,L	1	BODY COLOR:QU5
25	94481-48K20-YKV	COWLING,SIDE UPPER,L (BLACK)	1	
26	45516-01H00	CUSHION (15X27X2)	2	
27	53112-06L00	CUSHION,SIDE COWL UPR NO.2	2	

FIG.447A

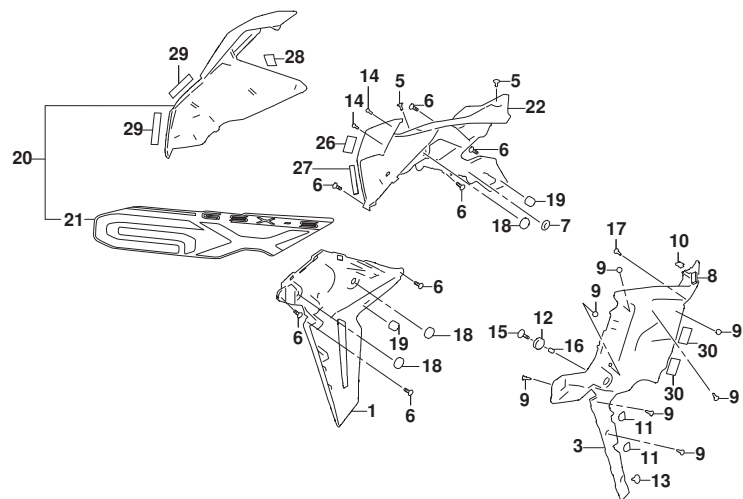


FIG.447A (1-E-13) FRAME BODY COVER

REF NO.	PART NO.	DESCRIPTION	Q'TY	REMARKS
28	63115-37H00	CUSHION (10X10X1)	2	
29	94675-07L10	CUSHION	6	
30	44894-24A00	CUSHION (10X30X2)	4	

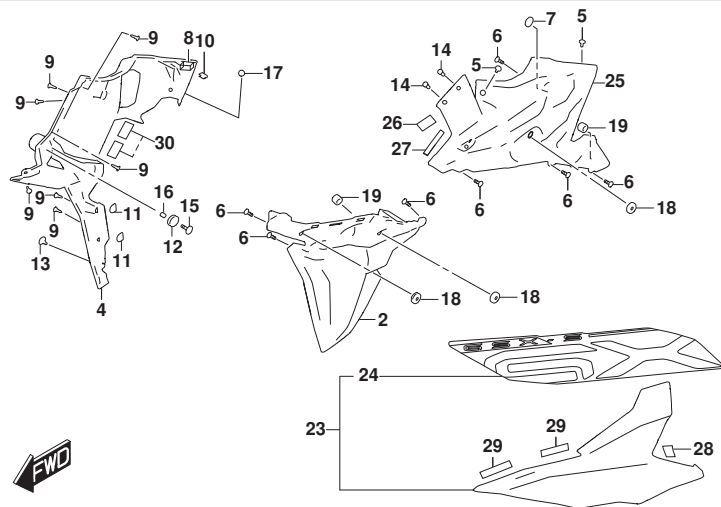


FIG.460A

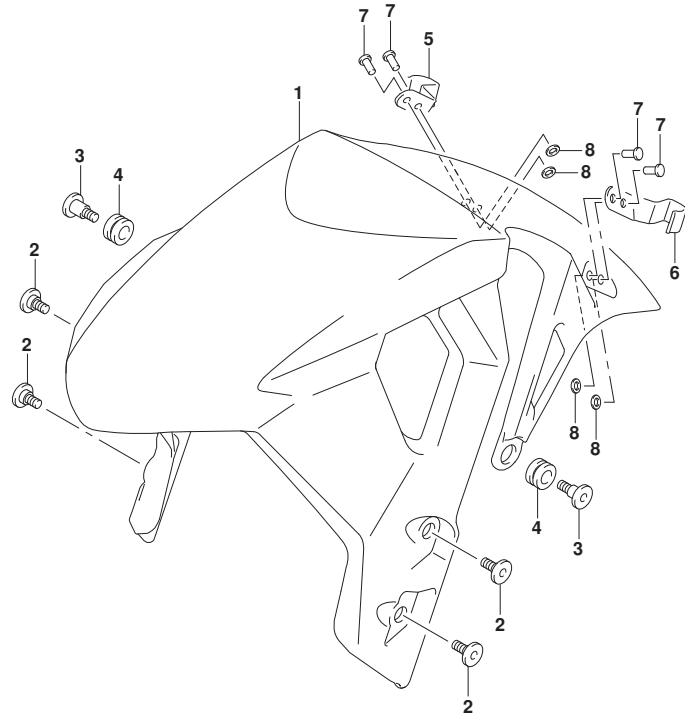


FIG.460A (1-E-14) FRONT FENDER

REF NO.	PART NO.	DESCRIPTION	Q'TY	REMARKS
1-1	53111-48K00-YKV	FENDER,FRONT (BLACK)	1	BODY COLOR:YSF
1-2	53111-48K00-YVB	FENDER,FRONT (BLACK)	1	BODY COLOR:YVB
1-3	53111-48K00-QU5	FENDER,FRONT (GREEN)	1	BODY COLOR:QU5
2	09139-06222	SCREW (6X16)	4	
3	09139-06206	SCREW (6X20)	2	
4	09320-09016	CUSHION (9X18X9.5)	2	
5	53117-48K00	CLAMP,BRAKE HOSE,R	1	
6	53118-48K00	CLAMP,BRAKE HOSE,L	1	
7	09229-04038	RIVET	4	
8	09160-04030	WASHER (4.15X12X0.8)	4	



FIG.462A

FIG.462A (1-E-15) HANDLEBAR

REF NO.	PART NO.	DESCRIPTION	Q'TY	REMARKS
1	56111-48K30	HANDLEBAR	1	
2	56277-06L10	BOLT,BALANCER	2	
3	56278-25L00	BALANCER,HANDLEBAR	2	
4	57346-06L00	SPACER,BALANCER	2	

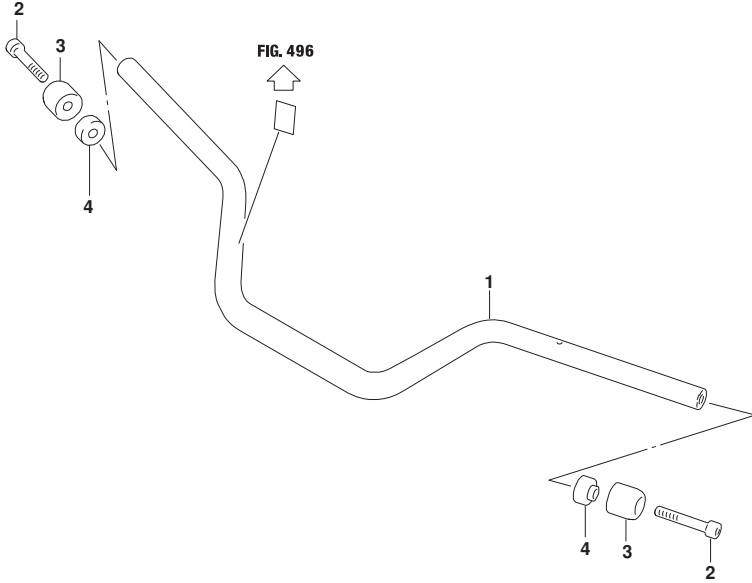


FIG.464A

FIG.464A (1-E-16) REAR VIEW MIRROR

REF NO.	PART NO.	DESCRIPTION	Q'TY	REMARKS
1	56500-06L20	MIRROR ASSY,REAR VIEW,R	1	
2	56600-06L20	MIRROR ASSY,REAR VIEW,L	1	

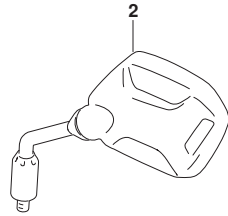
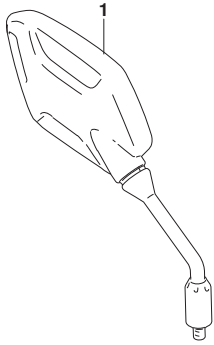


FIG.466A

FIG.466A (1-F-2) CONTROL CABLE

REF NO.	PART NO.	DESCRIPTION	Q'TY	REMARKS
1	58200-48K10	CABLE ASSY,CLUTCH	1	
2	58620-48K20	GUIDE,CABLE	1	
3	58640-04K00	GUIDE,CLUTCH CABLE	1	
4	58650-48K01	GUIDE,CLUTCH CABLE NO.2	1	
5	01547-0612B	BOLT	3	

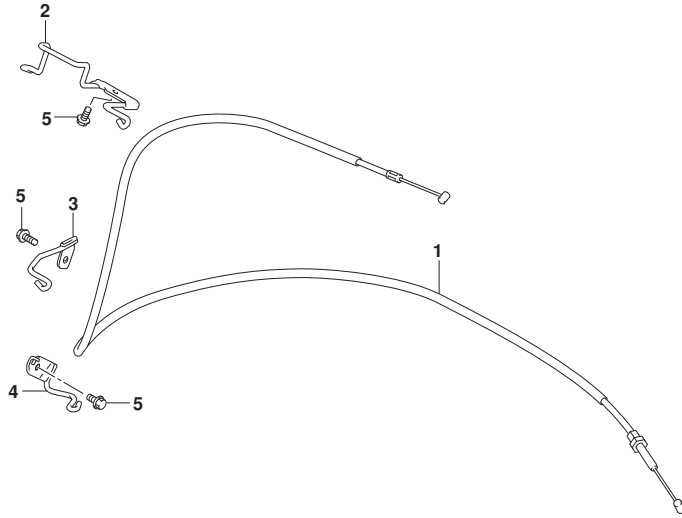


FIG.467A

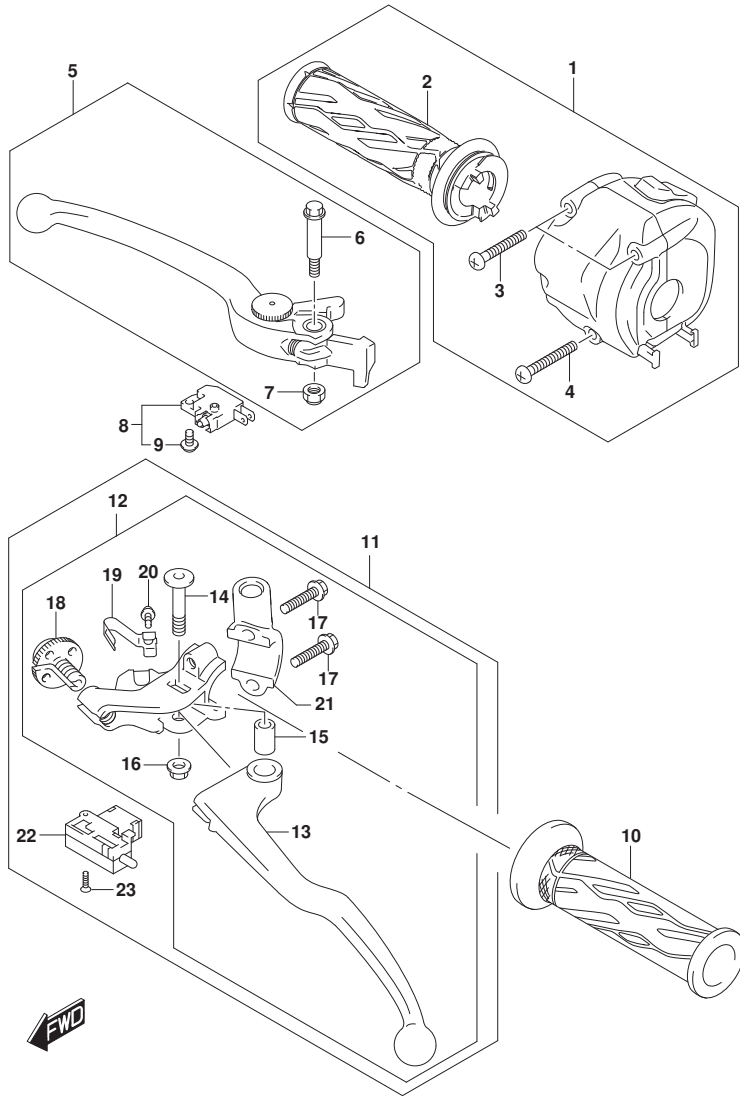


FIG.467A (1-F-3) HANDLE LEVER

REF NO.	PART NO.	DESCRIPTION	Q'TY	REMARKS
1	57100-06L50	GRIP ASSY, THROTTLE	1	
2	57110-06L10	..GRIP, THROTTLE	1	
3	02112-0530B	..SCREW	2	
4	02112-0540B	..SCREW	1	
5	57300-10G40	LEVER ASSY, FRONT BRAKE	1	
6	57431-17H02	..BOLT, LEVER PIVOT	1	
7	08319-2106A	..NUT	1	
8	37750-48K10	SWITCH ASSY, FRONT BRAKE	1	
9	37755-48K00	..SCREW, FRONT BRAKE SWITCH	1	
10	57211-21H01	GRIP, L	1	
11	57059-48K10	LEVER SET, CLUTCH	1	
12	57500-48K10	..LEVER ASSY, CLUTCH	1	
13	57621-48K00	..LEVER, CLUTCH	1	
14	57431-41G60	..BOLT, LEVER PIVOT	1	
15	57532-41G00	..COLLAR	1	
16	08319-3106B	..NUT	1	
17	01547-0625B	..BOLT	2	
18	57641-33E21	..NUT, ADJUSTER	1	
19	57644-33E10	..SPRING, ADJUST	1	
20	57642-33E10	..SCREW, ADJUST	1	
21	57512-41G00	..HOLDER, CLUTCH LEVER	1	
22	57560-05A10	..SWITCH ASSY, CLUTCH	1	
23	57562-41G01	..SCREW, CLUTCH SWITCH	1	

FIG.472A

FIG.472A (1-F-4) KNUCKLE COVER

REF NO.	PART NO.	DESCRIPTION	Q'TY	REMARKS
1	57341-06L01	COVER,KNUCKLE RH	1	
2	57342-06L00	BRACKET,KNUCKLE COVER,R	1	
3	57541-06L01	COVER,KNUCKLE LH	1	
4	57542-48K20	BRACKET,KNUCKLE COVER,L	1	
5	57543-48K20	CUSHION,KNUCKLE COVER,L	1	
6	09139-05108	SCREW,KNUCKLE COVER	4	
7	09148-05052	NUT (M5)	4	
8	09321-06026	CUSHION	1	

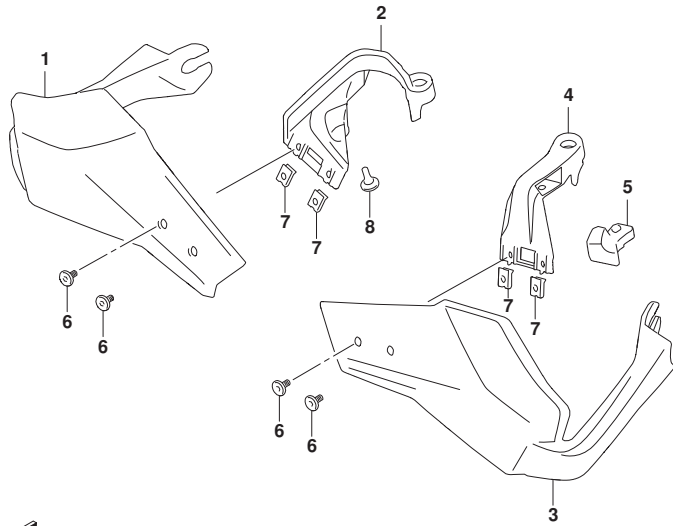


FIG.474A

FIG.474A (1-F-5) REAR FENDER

REF NO.	PART NO.	DESCRIPTION	Q'TY	REMARKS
1	63111-48K20	FENDER,REAR FRONT	1	
2	63113-48K00	FENDER,REAR REAR OUTER	1	
3	63116-48K00	FENDER,REAR REAR INNER	1	
4	63114-48K20	MUDGUARD,REAR FENDER	1	
5	03541-0616B	SCREW	4	
6	09116-06529	BOLT	4	
7	09148-05038	NUT (M5)	4	
8	09321-06037	CUSHION	2	
9	33972-31D00	CUSHION (10X16X3)	2	
10	47460-48K10	BRACKET,SIDE RR	1	
11	09139-06144	SCREW (6X12)	2	
12	09321-06026	CUSHION	1	
13	94443-06G00	TAPE (6X25X0.13)	1	
14	09139-05091	SCREW (5X13)	2	
15	09148-05052	NUT (M5)	2	
16	09409-06328	CLIP	2	

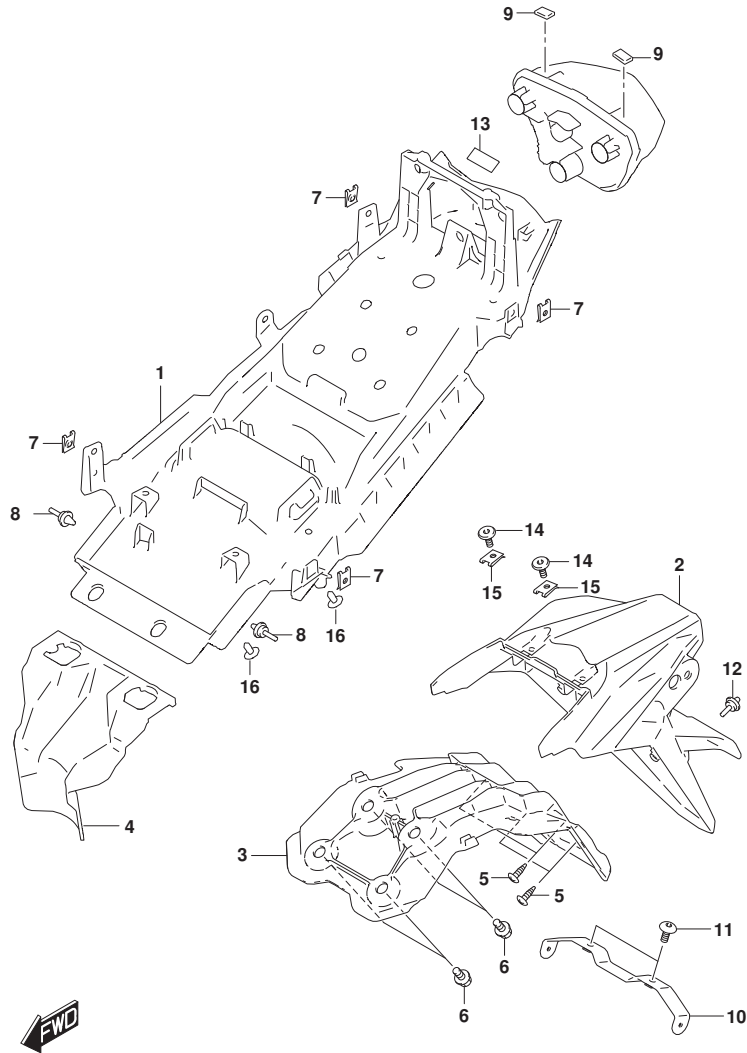


FIG.481A

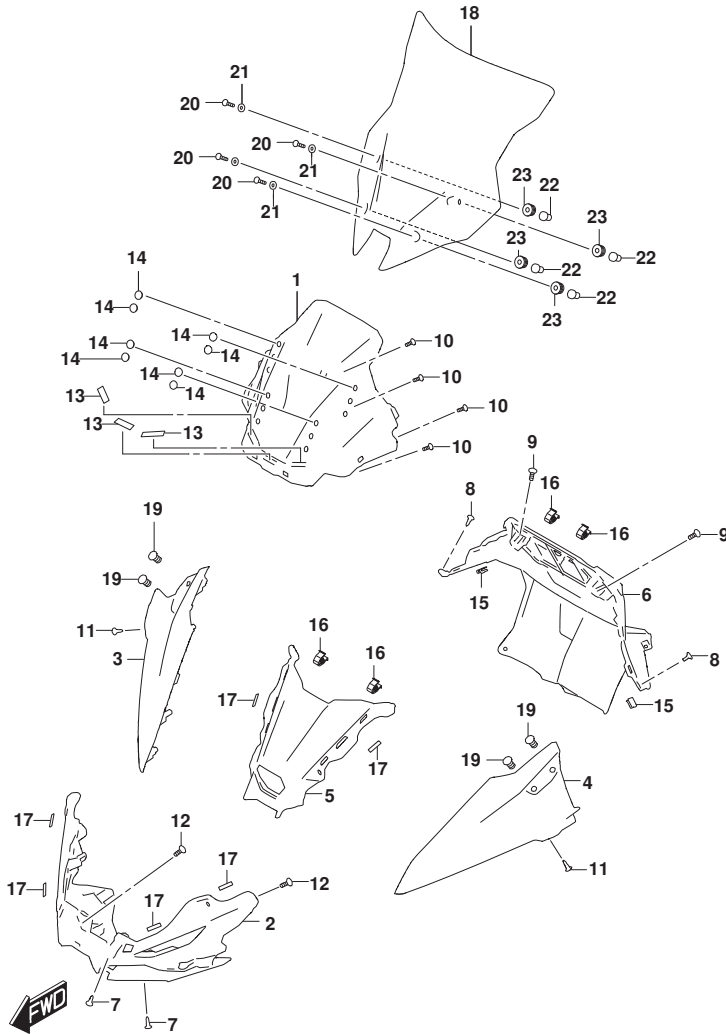


FIG.481A (1-F-6) COWLING BODY

REF NO.	PART NO.	DESCRIPTION	Q'TY	REMARKS
1	94641-48K20	PANEL,METER FRONT	1	
2	94431-48K20	COWLING,BODY LOWER	1	
3-1	94412-48K20-YSF	COWLING,BODY,R (BLUE)	1	BODY COLOR:YSF
3-2	94412-48K20-YVB	COWLING,BODY,R (BLACK)	1	BODY COLOR:YVB
3-3	94412-48K20-QU5	COWLING,BODY,R (GREEN)	1	BODY COLOR:QU5
4-1	94413-48K20-YSF	COWLING,BODY,L (BLUE)	1	BODY COLOR:YSF
4-2	94413-48K20-YVB	COWLING,BODY,L (BLACK)	1	BODY COLOR:YVB
4-3	94413-48K20-QU5	COWLING,BODY,L (GREEN)	1	BODY COLOR:QU5
5	94411-48K20-YKV	COWLING,BODY (BLACK)	1	
6	94642-48K20	PANEL,METER REAR	1	
7	09409-06314	CLIP (5.9X20.5)	2	
8	09409-06314	CLIP (5.9X20.5)	2	
9	09139-05108	SCREW,KNUCKLE COVER	2	
10	03541-0516A	SCREW	2	
11	09409-06314	CLIP (5.9X20.5)	2	
12	03541-0516A	SCREW	14	
13	94675-07L10	CUSHION	6	
14	09250-10030	CAP	8	
15	09148-05052	NUT (M5)	4	
16	09409-08326	CLIP (10.5X14.3)	4	
17	94675-07L10	CUSHION	6	
18	94611-48K30	WINDSCREEN	1	
19	09159-05019	NUT (M5)	4	
20	09139-05111	SCREW,WINDSCREEN	4	
21	09160-05048	WASHER (5.5X14X1.2)	4	
22	09159-05053	NUT,METER VISOR	4	
23	09320-05024	CUSHION,WINDSCREEN	4	

FIG.482A

FIG.482A (1-F-7) COWLING INSTALLATION PARTS

REF NO.	PART NO.	DESCRIPTION	Q'TY	REMARKS
1	94510-48K20	BRACE,COWLING	1	
2	09320-08018	CUSHION (8X26X7)	9	
3	09136-05062	SCREW (5X15)	4	
4	47410-48K10	BRACKET,RECTIFIER	1	
5	01550-0650A	BOLT	2	
6	01550-0840A	BOLT	2	
7	09160-08122	WASHER (8.5X18X3.20)	2	
8	08313-2008A	NUT	2	
9	47512-10D00	CUSHION (20X20X2)	1	

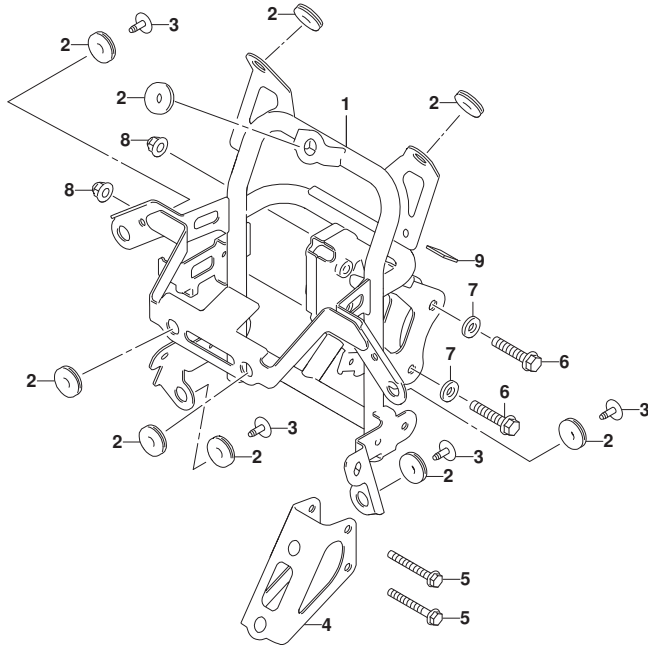


FIG.483A

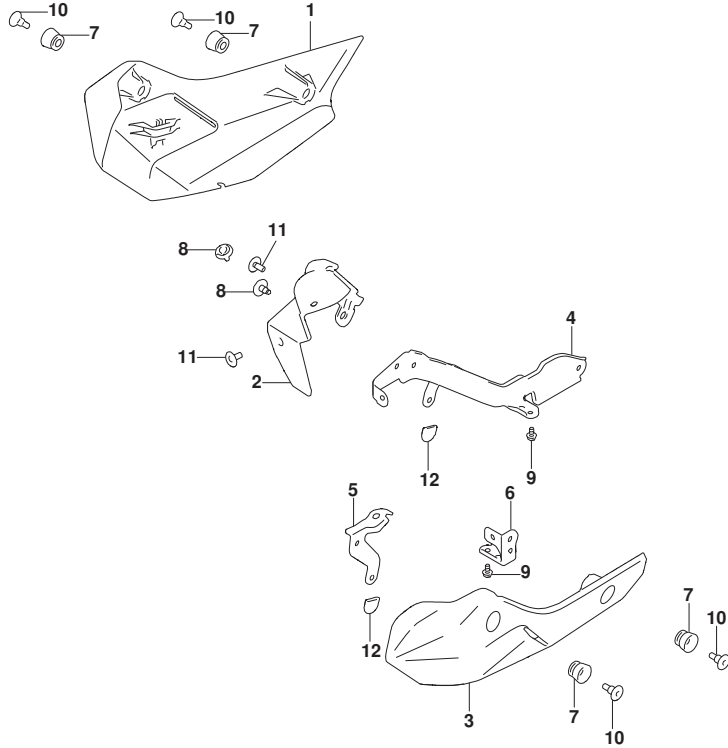


FIG.483A (1-F-8) UNDER COWLING

REF NO.	PART NO.	DESCRIPTION	Q'TY	REMARKS
1	94471-07L00-YKV	COWLING,UNDER,R (BLACK)	1	
2	94472-07L00	COVER,UNDER,R	1	
3	94481-07L00-YKV	COWLING,UNDER,L (BLACK)	1	
4	94520-07L00	BRACKET,UNDER COWL,R	1	
5	94530-07L00	BRACKET,UNDER COWL FR,L	1	
6	94540-07L00	BRACKET,UNDER COWL RR,L	1	
7	94479-15H00	CUSHION,UNDER COWLING,L	4	
8	94479-35F00	CLIP	2	
9	01550-0612A	BOLT	2	
10	09139-06211	SCREW (6X20)	4	
11	09139-06220	SCREW (6X13)	2	
12	09329-18001	CUSHION	2	



FIG.496A

FIG.496A (1-F-9) LABEL

REF NO.	PART NO.	DESCRIPTION	Q'TY	REMARKS
1	68319-25L00	LABEL,GENERAL WARNING	1	
2	11959-10LB0	LABEL,GASOLINE	1	
3	68332-48K50	LABEL,TIRE INFORMATION	1	
4	68391-48K30	LABEL,LOADING CAPACITY	1	

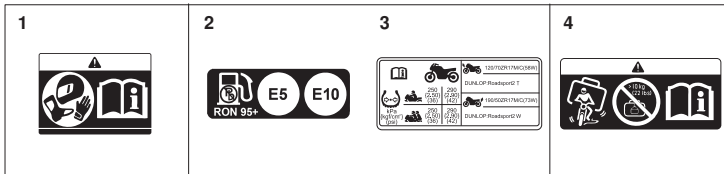
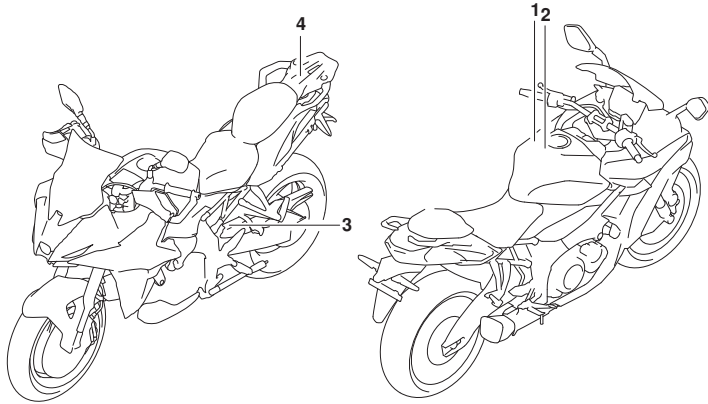


FIG.497A

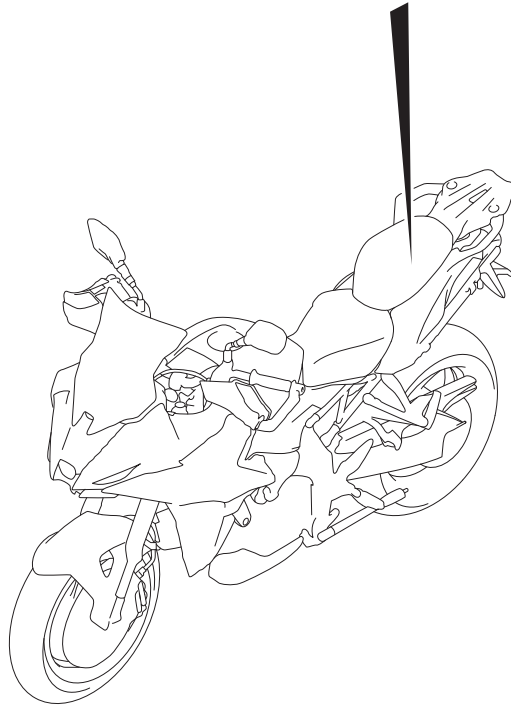
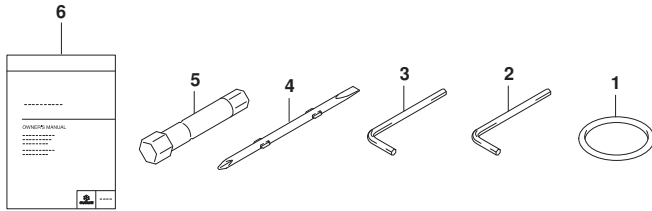


FIG.497A (1-F-10) MANUAL/TOOLS

REF NO.	PART NO.	DESCRIPTION	Q'TY	REMARKS
1	09280-57003	O-RING (D:3.5,ID:56.5)	1	
2	96514-17K00	SPANNER,HEXAGON (5)	1	
3	96514-17K10	SPANNER,HEXAGON (4)	1	
4	09814-00015	DRIVER	1	
5	09814-00016	GRIP,DRIVER	1	
6-1	99011-48KK0-01A	MANUAL,OWNER'S	1	ENGLISH
6-2	99011-48KK0-01E	MANUAL,OWNER'S	1	ITALIAN
6-3	99011-48KK0-01F	MANUAL,OWNER'S	1	FRENCH
6-4	99011-48KK0-01H	MANUAL,OWNER'S	1	DUTCH
6-5	99011-48KK0-01K	MANUAL,OWNER'S	1	GERMAN
6-6	99011-48KK0-029	MANUAL,OWNER'S	1	SPANISH
6-7	99011-48KK0-01T	MANUAL,OWNER'S	1	DANISH

FIG.505A

FIG.505A (1-F-11) SEAT

REF NO.	PART NO.	DESCRIPTION	Q'TY	REMARKS
1	45100-48K20-B8Q	SEAT ASSY (BLACK)	1	
2	09329-10001	.CUSHION	2	
3	09321-10011	.CUSHION	4	
4	45148-04K00	.CUSHION,SEAT MOUNT	1	
5	09139-06193	SCREW (6X20)	1	
6	45120-48K00	BRACKET,SEAT	1	
7	01550-0612A	BOLT	2	
8	45300-48K50-B8Q	SEAT ASSY,PILLION (BLACK)	1	
9	08316-1006A	.NUT (6X12)	1	
10	45148-20G90	.CUSHION	2	
11	45212-18K00	.STRIKER,SEAT LOCK	1	
12	45148-20G00	.CUSHION,SEAT MOUNT RR	2	
13	45220-04K20	BRACKET,STRIKER SUPPORT	1	
14	08316-1006A	NUT (6X12)	2	
15	45280-48K20	CABLE,SEAT LOCK	1	
16	95700-14810	LOCK SET,SEAT	1	
17	45289-11F00	PLATE,SEAT LOCK ASSY	1	
18	45288-14F00	GUIDE,SEAT LOCK CABLE	1	
19	09403-05319	CLAMP	3	

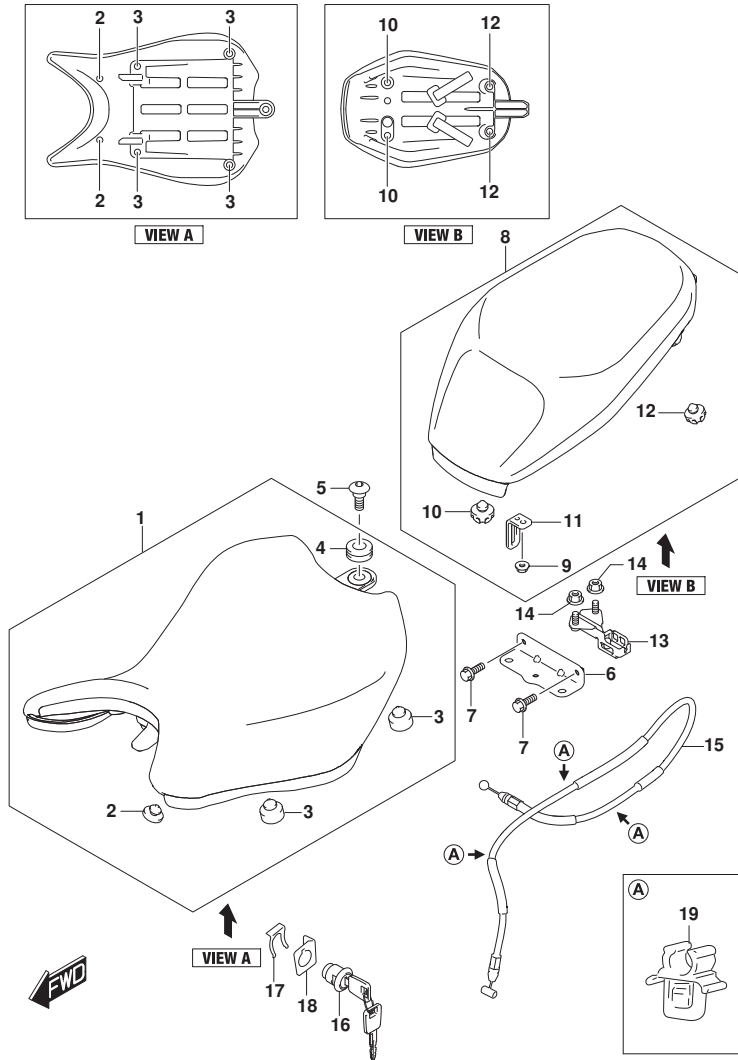


FIG.521A

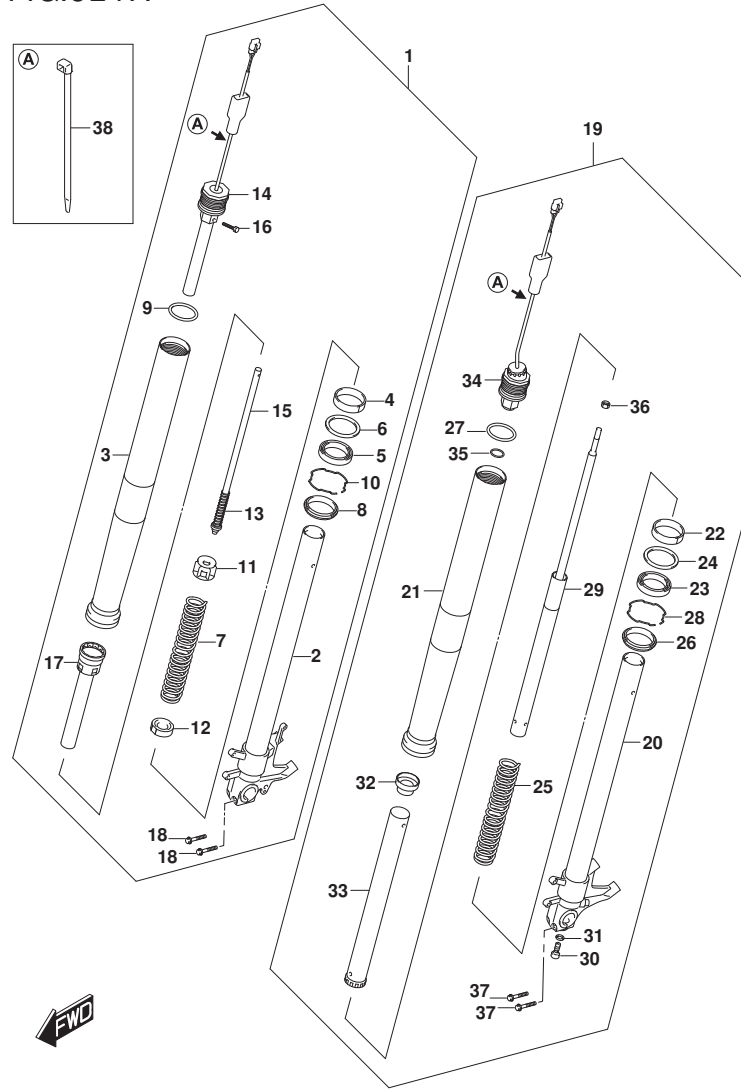


FIG.521A (1-F-12) FRONT FORK DAMPER

REF NO.	PART NO.	DESCRIPTION	Q'TY	REMARKS
1	51103-48KE0	DAMPER ASSY,R	1	
2	51110-48KE0	.TUBE,INNER,R	1	
3	51131-48KE0	.TUBE,OUTER	1	
4	51152-47H00	BUSH,GUIDE	1	
5	51153-27G00	SEAL,OIL	1	
6	51168-29G00	SPACER,SEAL	1	
7	51171-48KE0	SPRING,FR	1	
8	51173-48KE0	SEAL DUST	1	
9	51187-47H00	O-RING	1	
10	51556-38B00	RING,STOPPER	1	
11	51175-48KE0	SPRING SEAT	1	
12	51176-48KE0	.COLLAR SPRING	1	
13	51177-48KE0	.REBOUND SPRING	1	
14	51790-48KE0	BOLT,FORK R	1	
15	51791-48KE0	.ROD	1	
16	51792-48KE0	BOLT	1	
17	51793-48KE0	.ROD COVER	1	
18	51328-44HB0	BOLT,BRACKET UPPER	2	
19	51104-48KE0	DAMPER ASSY,L	1	
20	51120-48KE0	.TUBE,INNER,L	1	
21	51131-48KE0	.TUBE,OUTER	1	
22	51152-47H00	BUSH,GUIDE	1	
23	51153-27G00	SEAL,OIL	1	
24	51168-29G00	SPACER,SEAL	1	
25	51171-48KE0	SPRING,FR	1	
26	51173-48KE0	SEAL DUST	1	
27	51187-47H00	O-RING	1	
28	51556-38B00	RING,STOPPER	1	
29	51128-48KE0	.DAMPER SUB	1	
30	51147-06F10	BOLT (8X18)	1	
31	51148-31030	.GASKET	1	
32	51178-48KE0	.SPRING SEAT STOPPER	1	
33	51198-48KE0	.COLLAR SPRING	1	
34	51700-48810	.SOLENOID SET,FR FORK	1	
35	51774-48KE0	.O RING	1	

FIG.521A

FIG.521A (1-F-13) FRONT FORK DAMPER

REF NO.	PART NO.	DESCRIPTION	Q'TY	REMARKS
36	51827-27E00	.NUT	1	
37	51328-44HB0	.BOLT,BRACKET UPPER	2	
38	09407-14407	CLAMP (L:145)	2	

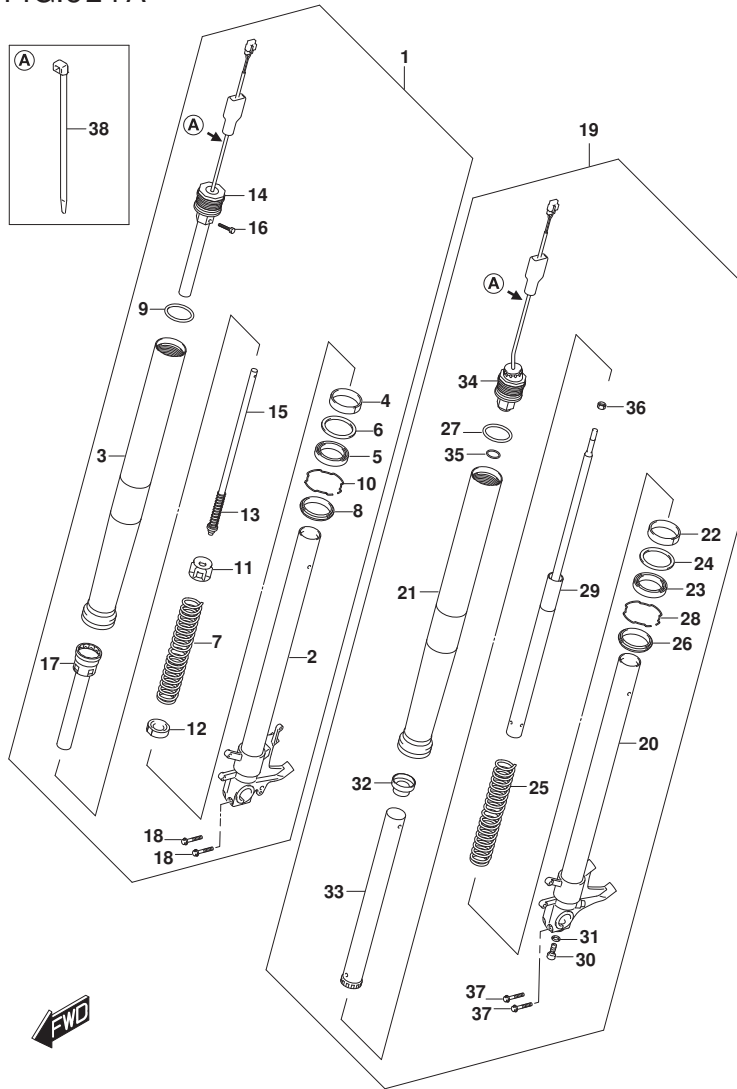


FIG.524A

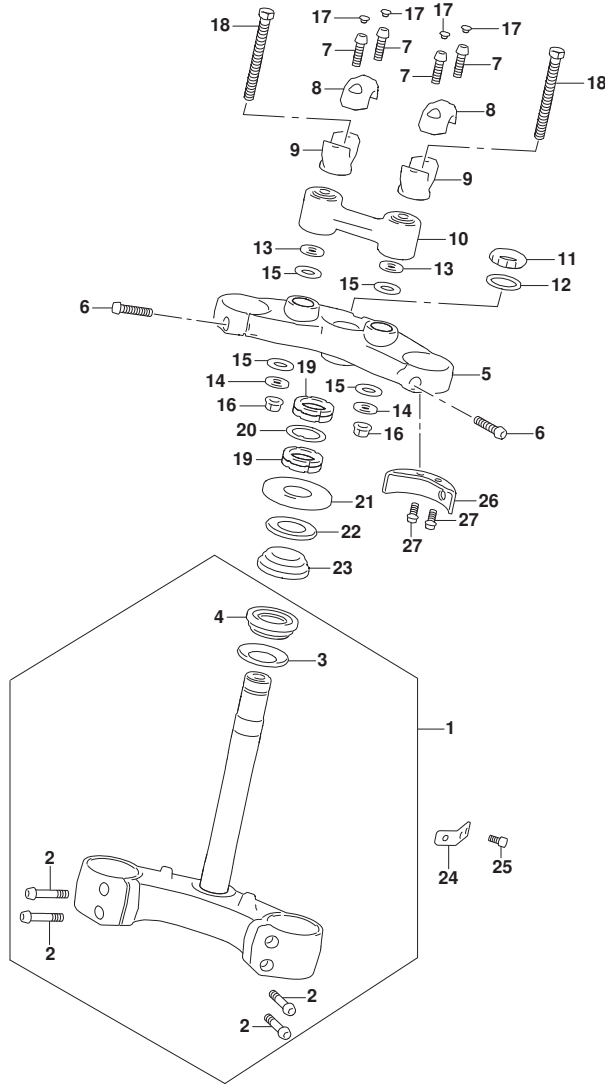


FIG.524A (1-F-14) STEERING STEM

REF NO.	PART NO.	DESCRIPTION	Q'TY	REMARKS
1	51410-48KE0-291	BRACKET,UNDER (BLACK)	1	
2	51328-25L30	.BOLT,BRACKET	4	
3	51644-12C00	.SEAL,STEERING LWR (30.1X56X4)	1	
4	09267-30010	.BEARING (30X55X17)	1	
5	51310-48KE0-20H	BRACKET,UPPER (SILVER)	1	
6	51328-25L30	BOLT,BRACKET	2	
7	51321-25L30	BOLT,HANDLE HOLDER	4	
8	51331-25L30-20H	HOLDER,HANDLE UPPER (SILVER)	2	
9	51332-48KE0-20H	HOLDER,HANDLE LOWER (SILVER)	2	
10	51337-48KE0-20H	SPACER,HANDLE HOLDER LOWER (SILVER)	1	
11	51353-01H00	NUT,STEM HEAD	1	
12	51354-01H00	WASHER,STEM HEAD	1	
13	51355-49G00	WASHER	2	
14	51355-49G00	WASHER	2	
15	56245-49G00	RUBBER SEAT	4	
16	08319-3110A	NUT	2	
17	09250-06015	CAP (OD:10.5)	4	
18	51321-48KE0	BOLT,HANDLE HOLDER LOWER	2	
19	51631-33E00	NUT,STEERING STEM	2	
20	51641-33E00	WASHER,STEERING STEM	1	
21	51643-41G00	COVER,STEERING UPR	1	
22	51644-12C00	SEAL,STEERING LWR (30.1X56X4)	1	
23	09267-30010	BEARING (30X55X17)	1	
24	51583-48K00	BRACKET,FRONT FORK HARNESS	1	
25	07130-0612B	BOLT	1	
26	51911-04K00	PLATE,STEERING LOCK	1	
27	09103-08351	BOLT (8X16)	2	

FIG.530A

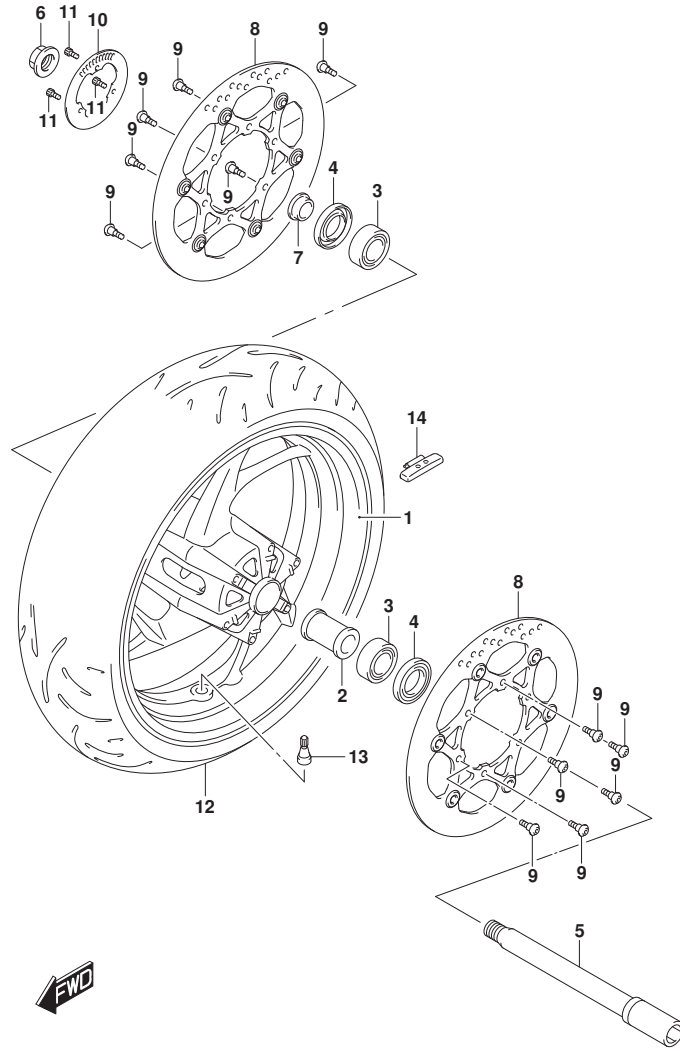


FIG.530A (1-F-15) FRONT WHEEL

REF NO.	PART NO.	DESCRIPTION	Q'TY	REMARKS
1-1	54111-04K30-QUV	WHEEL,FRONT (17M/CXMT3.50,BLUE)	1	BODY COLOR:YSF
1-2	54111-04K30-019	WHEEL,FRONT (17M/CXMT3.50,BLACK)	1	BODY COLOR:YVB,QU5
2	54731-14J00	SPACER,FR HUB BEARING	1	
3	09262-22049	BEARING	2	
4	09283-28028	SEAL,OIL	2	
5	54711-14J00	AXLE,FR	1	
6	62994-47H00	NUT,RR SHOCK ABS BRACKET	1	
7	54751-14J00	SPACER,FR AXLE,L	1	
8	59210-04K00	DISC,FRONT BRAKE	2	
9	09106-06124	BOLT (6X21)	12	
10	54162-44H00	RING,SPEED SENSOR FR (50T)	1	
11	07130-0512A	BOLT	3	
12	55110-48K11	TIRE,FRONT (120/70ZR17M/C (58W))	1	
13	#43130-24A00	VALVE ASSY,WHEEL RIM (TR412)	1	
14-1	55411-22H00	BALANCER,WHEEL (10G)	AR	
14-2	55412-22H00	BALANCER,WHEEL (20G)	AR	
14-3	55413-22H00	BALANCER,WHEEL (30G)	AR	

FIG.533A

FIG.533A (1-F-16) HYDRAULIC UNIT

REF NO.	PART NO.	DESCRIPTION	Q'TY	REMARKS
1	55610-48K40	UNIT ASSY, HYDRAULIC ABS	1	
2	55651-48K10	HOLDER, HYDR UNIT ABS	1	
3	09139-06065-XC0	SCREW (6X30)	2	
4	09160-06088	WASHER (6.5X20X1.6)	2	
5	55662-10G00	SPACER, HYDR UNIT MTG (#05)	2	
6	55663-48H00	RUBBER, HYDR UNIT MTG	2	
7	01547-0612A	BOLT	2	
8	44552-24B10	MOLDING (L:50)	1	

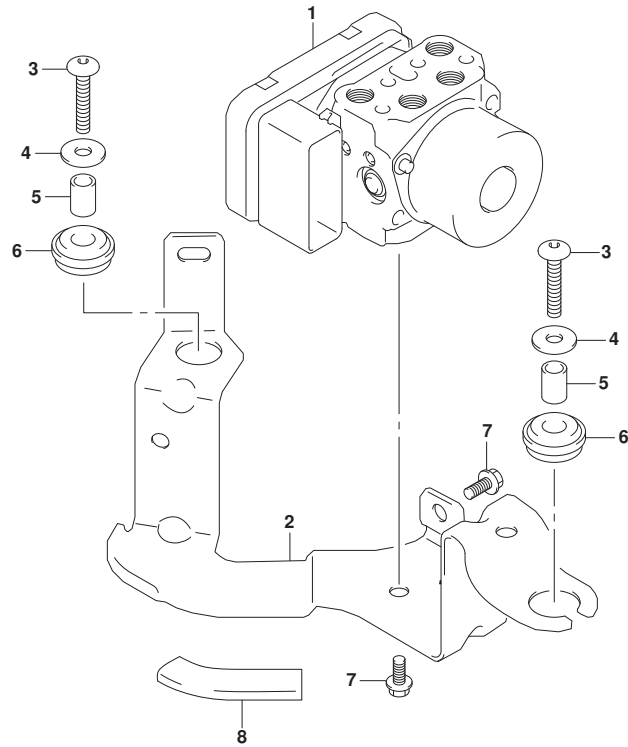


FIG.534A

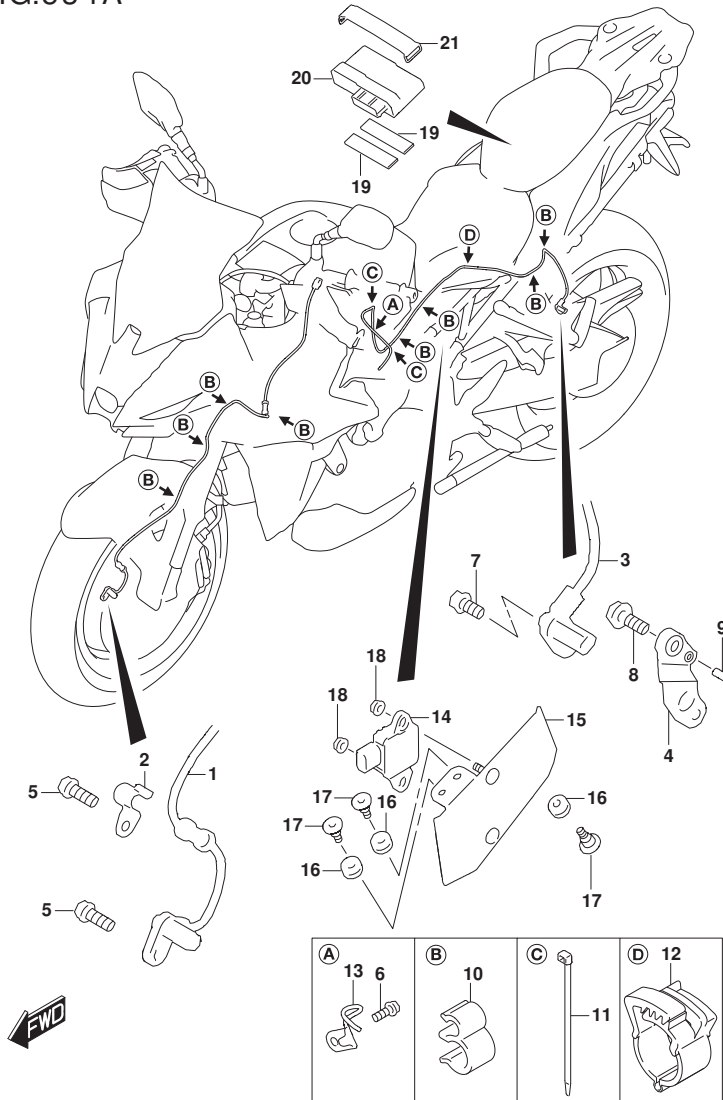


FIG.534A (1-G-2) BODY ELECTRICAL

REF NO.	PART NO.	DESCRIPTION	Q'TY	REMARKS
1	55710-48K10	SENSOR,FR WHEEL SPEED	1	
2	55731-15H00	CLAMP,ABS SENSOR FR	1	
3	65710-48K00	SENSOR,RR WHEEL ABS	1	
4	65721-48K00	BRACKET,SPEED SENSOR RR	1	
5	09103-06550	BOLT	2	
6	01547-0616A	BOLT	1	
7	01547-0612B	BOLT	1	
8	09103-06240	BOLT (6X16)	1	
9	04221-04089	PIN (4X13.8)	1	
10	09408-00266	CLAMP	8	
11	09407-14407	CLAMP (L:145)	2	
12	09408-00184	CLAMP	1	
13	65730-48K00	GUIDE,WHEEL SPEED SENSOR	1	
14	55750-06L00	SENSOR,INERTIAL	1	
15	55760-48K00	HOLDER,INERTIAL SENSOR	1	
16	09320-08077	CUSHION	3	
17	09139-06211	SCREW (6X20)	3	
18	08316-1006A	NUT (6X12)	2	
19	33652-49000	PROTECTOR (20X90X4)	2	
20	62510-48KE0	CONTROL UNIT,SUSPENSION	1	
21	09462-00043	BAND	1	

FIG.535A

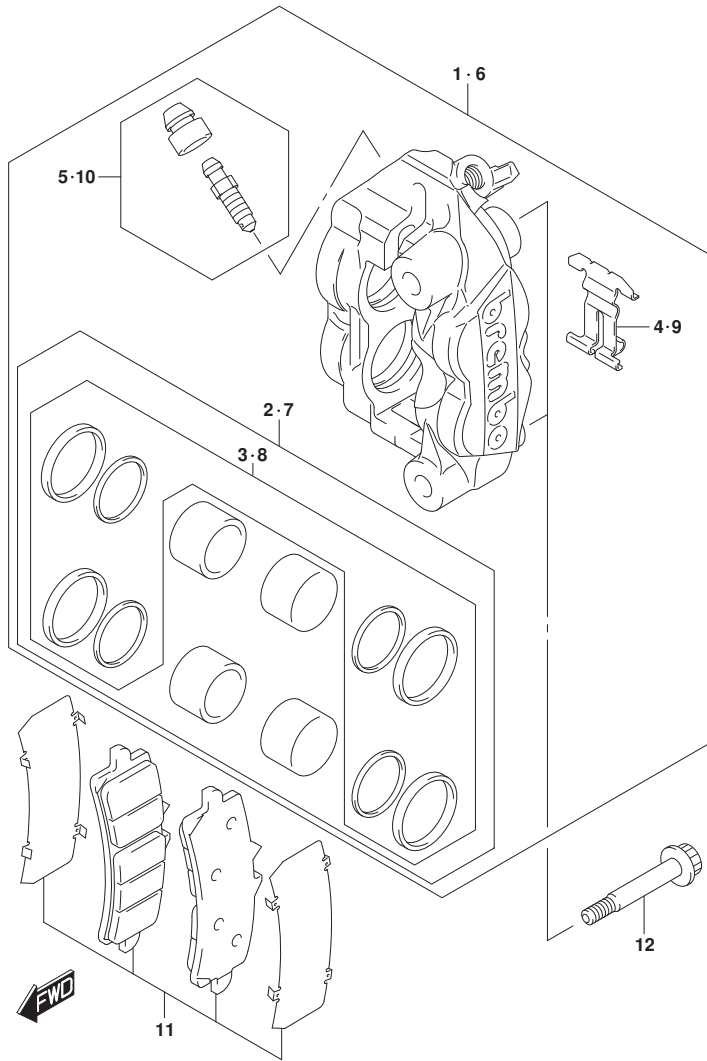


FIG.535A (1-G-3) FRONT CALIPER

REF NO.	PART NO.	DESCRIPTION	QTY	REMARKS
1	59100-17K00-999	CALIPER ASSY,FRONT,R	1	
2	59100-17810	.PISTON SET	1	
3	59100-14820	..SEAL SET,PISTON	1	
4	59151-14J00	.SPRING	1	
5	59100-14840	.BLEEDER SET	1	
6	59300-17K00-999	CALIPER ASSY,FRONT,L	1	
7	59100-17810	.PISTON SET	1	
8	59100-14820	..SEAL SET,PISTON	1	
9	59151-14J00	.SPRING	1	
10	59100-14840	.BLEEDER SET	1	
11	59100-17820	PAD SET	2	
12	09106-10096	BOLT	4	

FIG.537A

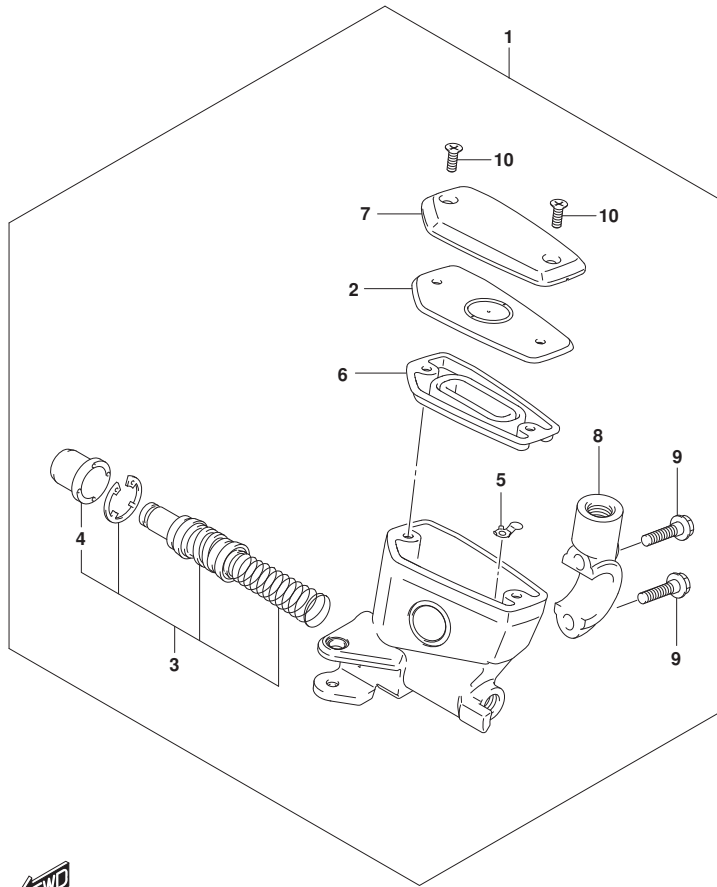


FIG.537A (1-G-5) FRONT MASTER CYLINDER

REF NO.	PART NO.	DESCRIPTION	Q'TY	REMARKS
1	59600-06L90	CYLINDER ASSY,FRONT MASTER	1	
2	57437-23H00	.PLATE	1	
3	59601-45810	.PISTON/CUP SET	1	
4	59666-44300	.BOOT	1	
5	59664-32F00	.PROTECTOR	1	
6	59667-23H00	.DIAPHRAGM,R	1	
7	59669-23H20	.CAP,RESERVOIR	1	
8	59671-32F00	.HOLDER	1	
9	59675-02FA0	.BOLT (6X22)	2	
10	69689-49300	.SCREW	2	

FIG.541A

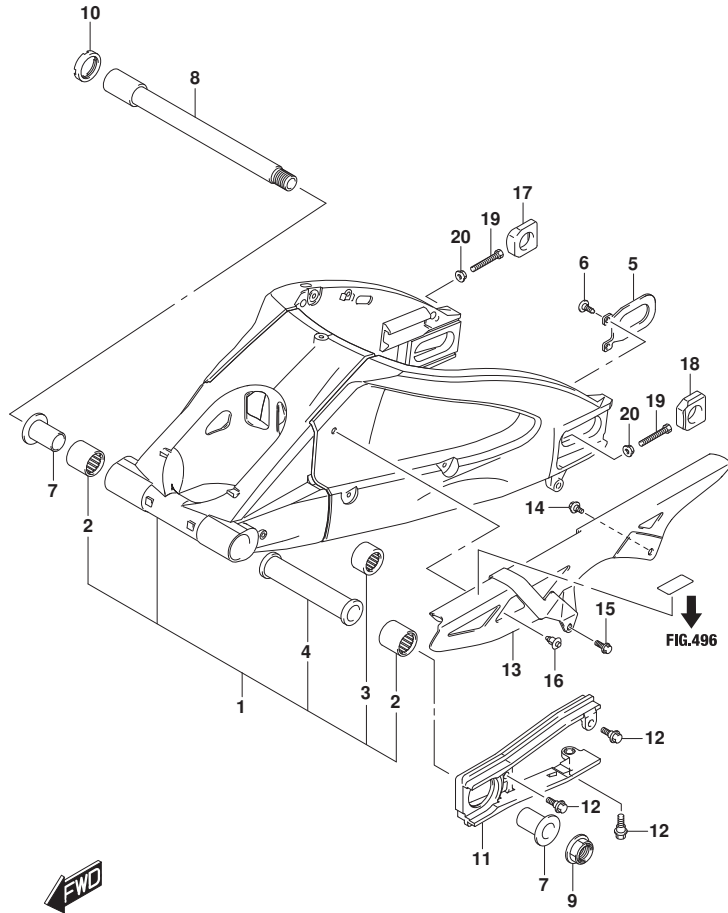


FIG.541A (1-G-6) REAR SWINGARM

REF NO.	PART NO.	DESCRIPTION	Q'TY	REMARKS
1	61000-47H21-YAP	SWINGINGARM ASSY,REAR (BLACK)	1	
2	09263-27015	.BEARING (27X35X35)	2	
3	09263-20116	.BEARING	1	
4	61281-41G00	.SPACER,RR SWG PVT CTR	1	
5	61124-41G00	PLATE,RR SWING ARM BRKT	1	
6	09125-06060	SCREW (6X12)	1	
7	61251-41G00	SPACER,RR SWGARM PIVOT BEARING	2	
8	61211-01H00	SHAFT,RR SWINGINGARM PIVOT	1	
9	09159-20006	NUT	1	
10	61214-42E10	NUT,RR SWGARM PIVOT BOLT	1	
11	61273-48K00	BUFFER,CHAIN TOUCH DEFENSE	1	
12	09139-06226	SCREW (6X17.8)	3	
13	61310-04K00	CASE,CHAIN	1	
14	09139-06214	SCREW (6X16)	1	
15	09139-06225	BOLT (6X12)	1	
16	09409-08308	CLIP (7.6X25.7)	1	
17	61445-40F00	ADJUSTER,CHAIN	1	
18	61446-40F00	ADJUSTER,CHAIN	1	
19	09100-08287	BOLT (8X50)	2	
20	08316-1008A	NUT	2	

FIG.545A

FIG.545A (1-G-8) REAR SHOCK ABSORBER

REF NO.	PART NO.	DESCRIPTION	Q'TY	REMARKS
1	62100-48KE0-17U	ABSORBER ASSY,REAR SHOCK (GRAY)	1	
2	62148-48KE0	.CLIP	2	
3	09407-17403	.CLAMP (L:170)	1	
4	62450-48KE0	.SOLENOID	1	
5	62149-48KE0	.BAND	1	
6	23915-78A20	CLAMP,CABLE	2	
7	62317-47H00	SPACER,RR SHOCK ABS LWR	1	
8	62391-48K00	CLAMP,SPRING ADJUSTER	2	
9	62393-48K10	BOLT	4	
10	62394-48K00	CUSHION,CLAMP	4	
11	62658-04K10	BOLT,RR SHOCK ABS UPPER	1	
12	09103-10428	BOLT (10X58)	1	
13	09159-10115	NUT (M10)	2	
14	09160-12067	WASHER,12.5X23X1 (12.5X23X1.0)	4	
15	09263-17046	BEARING (17X24X32)	1	
16	07130-0616B	BOLT	2	

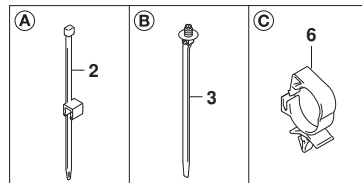
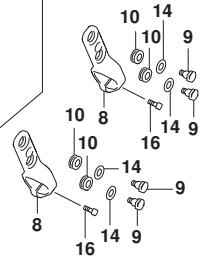
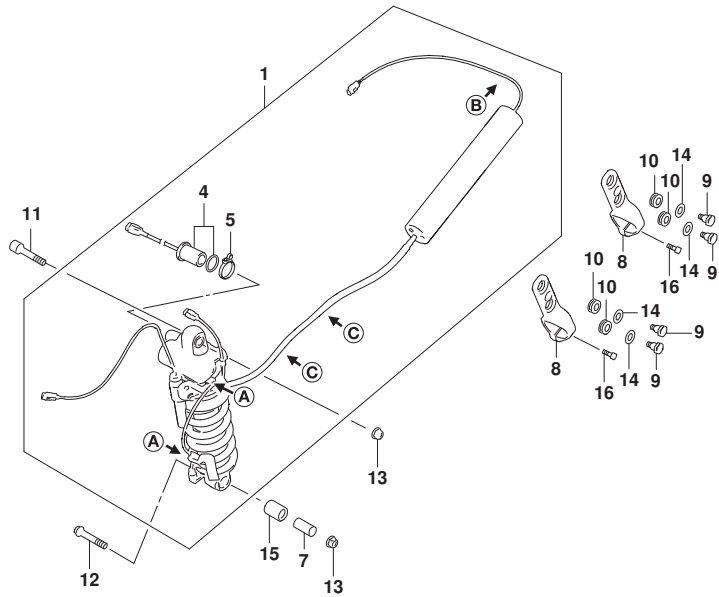


FIG.550A

FIG.550A (1-G-9) REAR WHEEL

REF NO.	PART NO.	DESCRIPTION	Q'TY	REMARKS
1-1	64111-04K30-QUV	WHEEL,REAR (17M/CXMT6.00,BLUE)	1	BODY COLOR:YSF
1-2	64111-04K30-019	WHEEL,REAR (17M/CXMT6.00,BLACK)	1	BODY COLOR:YVB,QU5
2	64731-35F10	SPACER,RR HUB BEARING	1	
3	09262-28062	BEARING (28X52X12)	2	
4	09284-37002	SEAL,OIL (37X52X8)	1	
5	69211-04K00	DISC,REAR BRAKE	1	
6	09106-08160	BOLT (8X21)	5	
7	64162-04K00	RING,SPEED SENSOR RR (50T)	1	
8	07130-0512A	BOLT	3	
9	64711-49G30	AXLE,RR	1	
10	64721-17K00	NUT,REAR AXLE	1	
11	09160-25070	WASHER (25.2X42X3.2)	1	
12	64741-35F10	SPACER,REAR AXLE,R	1	
13	64751-47H10	SPACER,REAR AXLE,L	1	
14	64610-04K00	DRUM,REAR SPROCKET	1	
15	64733-35F00	RETAINER,RR SPROCKET DRUM	1	
16	09262-32024	BEARING (32X65X17)	1	
17	09285-39001	SEAL,OIL (39X65X7)	1	
18	64651-47H10	ABSORBER,RR HUB SHOCK	6	
19	64511-04K00	SPROCKET,REAR (NT:44)	1	
20	08319-3110A	NUT	6	
21	65110-48K20	TIRE,REAR	1	
22	#43130-24A00	VALVE ASSY,WHEEL RIM (TR412)	1	
23-1	55411-22H00	BALANCER,WHEEL (10G)	AR	
23-2	55412-22H00	BALANCER,WHEEL (20G)	AR	
23-3	55413-22H00	BALANCER,WHEEL (30G)	AR	

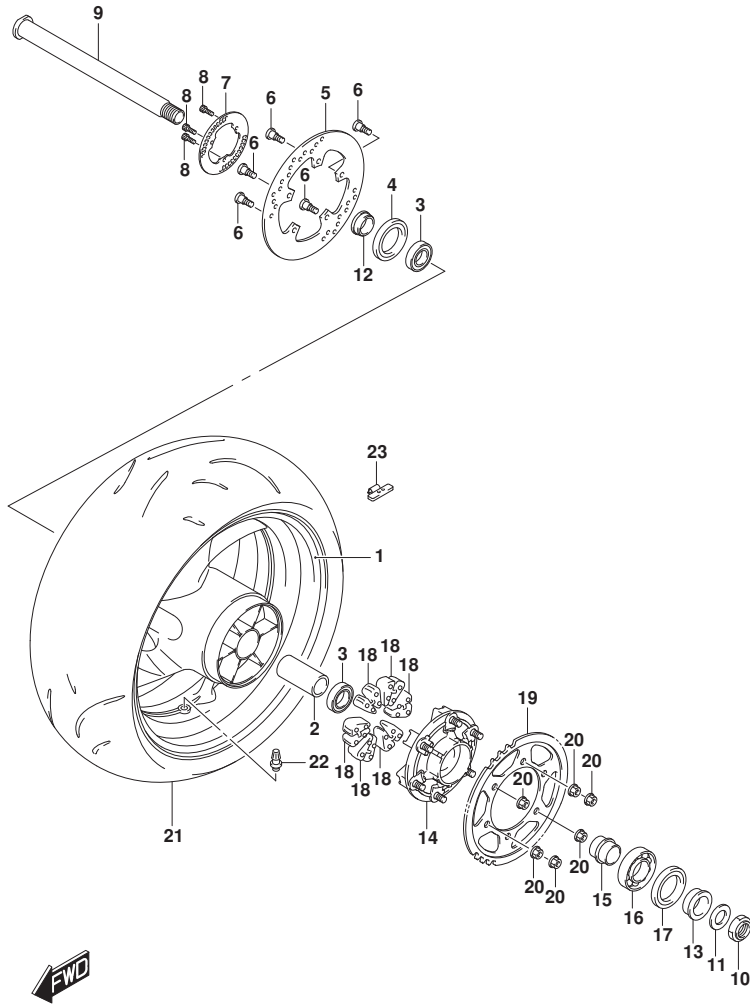


FIG.555A

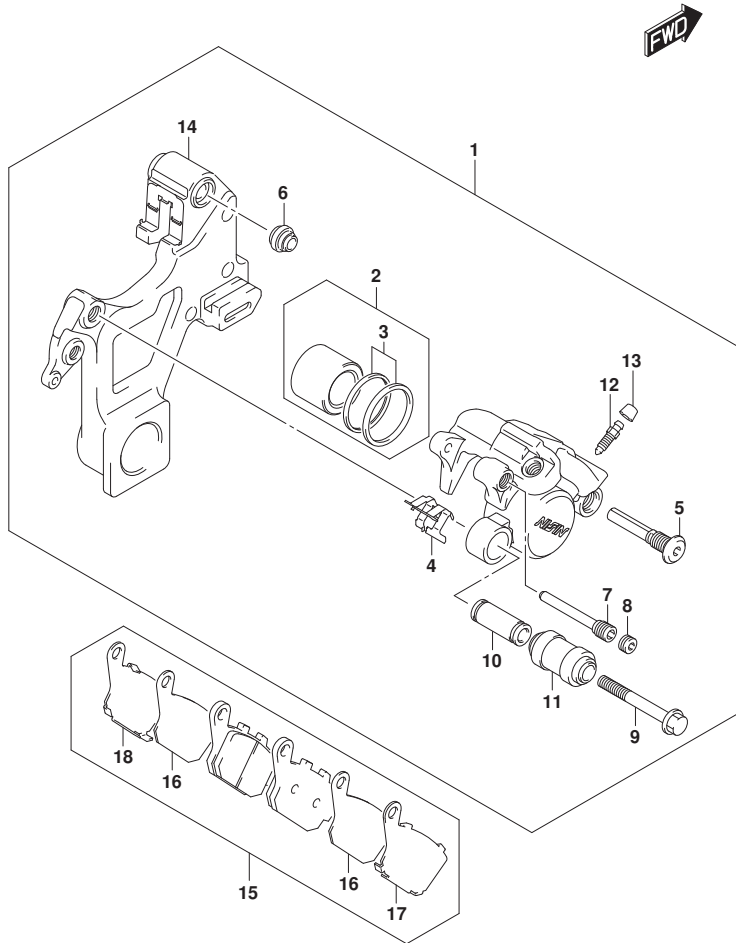


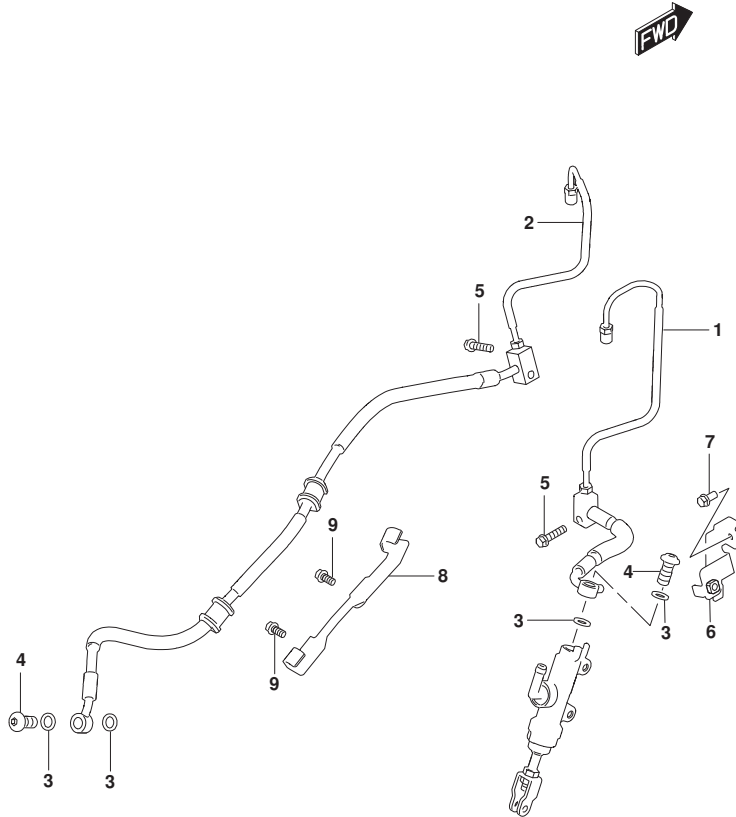
FIG.555A (1-G-10) REAR CALIPER

REF NO.	PART NO.	DESCRIPTION	Q'TY	REMARKS
1	69100-04K00-999	CALIPER ASSY,REAR	1	
2	69100-04810	.PISTON SET	1	
3	69100-04820	..SEAL SET,PISTON	1	
4	69115-04F00	.SPRING,PAD	1	
5	59305-36E00	.PIN,BOLT	1	
6	59303-14500	.BOOT	1	
7	69141-40F00	.PIN,PAD	1	
8	59146-21E10	.PLUG,PIN	1	
9	69182-04F00	.BOLT	1	
10	69185-04F00	.SLEEVE	1	
11	69186-04F00	.BOOT,SLEEVE	1	
12	59121-01A00	.BLEEDER	1	
13	59122-46H00	.CAP,BLEEDER	1	
14	69150-04K00	.BRACKET	1	
15	69100-08860	PAD & RETAINER SET	1	
16	69132-08J00	.INSULATOR	2	
17	69133-16G00	.RETAINER	1	
18	69134-16G00	.RETAINER	1	

FIG.557A

FIG.557A (1-G-11) REAR BRAKE HOSE

REF NO.	PART NO.	DESCRIPTION	Q'TY	REMARKS
1	69200-48K00	HOSE ASSY,RR BK MASTER TO UNIT	1	
2	69400-48K10	HOSE ASSY,UNIT TO RR BK CLPR	1	
3	09161-10009	WASHER (10X15X1.5)	4	
4	09360-10053	UNION (10X1.25X22)	2	
5	01547-0625A	BOLT	2	
6	69260-04K00	CLAMP,RR BRAKE HOSE	1	
7	01547-0612A	BOLT	1	
8	69271-48K00	CLAMP,RR BRAKE HOSE	1	
9	01547-0612B	BOLT	2	



PART NO.	FIG.NO.-REF.NO.	PART NO.	FIG.NO.-REF.NO.	PART NO.	FIG.NO.-REF.NO.	
10000		11971-25D00	112A-9	12812-31G00	127A-5	
		11971-33210	112A-2	12830-48K00	127A-6	
		12000-41840	120A-5	12837-48K00	101A-13	
		12111-04K00-0F0	120A-9		127A-7	
		12140-04K00	120A-10	12891-47H00	126A-3	
	11100-48K00	103A-1	12151-04K00	120A-11	12892-05C00-120	126A-11-1
	11115-29G00	103A-4	12160-04K10	120A-1	12892-05C00-125	126A-11-2
	11117-30G00	103A-7	12163-24F10	120A-2	12892-05C00-130	126A-11-3
	11141-21H00	101A-2	12164-47H10-0A0	120A-4-1	12892-05C00-135	126A-11-4
		103A-5	12164-47H10-0B0	120A-4-2	12892-05C00-140	126A-11-5
11171-04K00	102A-1	12164-47H10-0C0	120A-4-3	12892-05C00-145	126A-11-6	
11173-35F00	101A-3	12164-47H10-0D0	120A-4-4	12892-05C00-150	126A-11-7	
	102A-2	12228-48B00-0B0	108A-20-1	12892-05C00-155	126A-11-8	
11178-33E00	101A-4	101A-2	120A-7-1	12892-05C00-160	126A-11-9	
	102A-3	12228-48B00-0C0	108A-20-2	12892-05C00-165	126A-11-10	
11182-35F10	101A-5	101A-5	120A-7-2	12892-05C00-170	126A-11-11	
	102A-7	12228-48B00-0D0	108A-20-3	12892-05C00-175	126A-11-12	
11191-27E00	101A-6	101A-6	120A-7-3	12892-05C00-180	126A-11-13	
	102A-5	12228-48B00-0E0	108A-19	12892-05C00-185	126A-11-14	
11269-18G01	163A-11	108A-20-4	120A-6	12892-05C00-190	126A-11-15	
11276-48K10	163A-12	120A-6	120A-6	12892-05C00-195	126A-11-16	
11277-48K10	163A-13	120A-7-4	120A-7-4	12892-05C00-200	126A-11-17	
11281-44G00	116A-26	12228-48B00-0F0	108A-20-5	12892-05C00-205	126A-11-18	
11301-04860	108A-1	120A-7-5	120A-7-5	12892-05C00-210	126A-11-19	
11319-33E50	108A-2	12228-48B00-0G0	108A-20-6	12892-05C00-215	126A-11-20	
11340-04K10	112A-1	120A-7-6	120A-7-6	12892-05C00-220	126A-11-21	
11342-41G10	112A-3	12228-48B00-0H0	108A-20-7	12911-04K01	126A-4	
11351-04K10	112A-24	120A-7-7	120A-7-7	12912-04K01	126A-5	
11361-48K00	112A-30	12229-04K00-0A0	120A-8-1	12921-37H00	126A-6	
11370-04K00	109A-9	12229-04K00-0B0	120A-8-2	12931-04K00	126A-7	
11371-48K00	112A-34	12229-04K00-0C0	120A-8-3	12932-32C00	126A-9	
11381-04K00	112A-11	12229-04K00-0D0	120A-8-4	12933-29G00	126A-8	
11382-04K00	112A-19	12229-04K00-0E0	120A-8-5	13101-48K00	103A-14	
11390-21H01	109A-1	12229-40F50-0A0	124A-4-1	13170-29G02	103A-16	
11401-48890	101A-1	12229-40F50-0B0	124A-4-2	13268-48700	140A-2	
11482-40F10	101A-7	12229-40F50-0C0	124A-4-3	13269-33E00	140A-3	
	112A-5	12600-40831	122A-9	13295-29901	140A-4	
11483-18G00	101A-10	12611-04K00	122A-1	13374-32G00	140A-5	
	112A-25	12612-04K00	122A-6	13405-48K00	140A-1	
11484-35F00	101A-11	12654-04K00	124A-1	13471-10L00	140A-23	
	109A-10	12666-40F00	124A-2	13471-18H00	140A-6	
11489-21H00	101A-12	12686-40F00	124A-3	13472-10L00	140A-24	
	116A-2	12710-48K00	126A-1	13473-17K00	140A-25	
11491-33E02	101A-8	12720-48K00	126A-2	13601-29G00	140A-7	
	112A-12	12731-29G00	120A-13	13602-29G01	140A-8	
11492-04K00	101A-9	12760-04K00	127A-1	13606-47A00	140A-9	
	112A-20	12771-21H01	127A-2	13650-41F10	155A-14	
11511-21H01	116A-1	12782-35F11	127A-3	13650-49X00	103A-18	
11512-44G00	116A-9	12800-05830	126A-12	13655-41F10	155A-15	
11959-10LB0	496A-2	12811-47H01	127A-4	13671-12C00	140A-10	

PART NO.	FIG.NO.-REF.NO.	PART NO.	FIG.NO.-REF.NO.	PART NO.	FIG.NO.-REF.NO.
13681-39F00-070	140A-21	16321-35F01	116A-19	18510-29G70	189A-2
13683-07F01	140A-12	16331-35F00	116A-20	18531-35F30	189A-7
13683-07F11	140A-13	16400-21H00	116A-16	18560-04K01	427A-1
13683-10L00	140A-14	16440-24F00	116A-14	18561-48K00	427A-8
13683-48K00	140A-15	16461-04K00	178A-3	18562-48K00	427A-10
13685-02FA0	140A-22	16471-04K00	178A-4	18563-48K00	427A-9
13685-04F10	140A-16	16491-35F00	116A-17	18564-04K00	427A-11
13700-48K00	155A-1	16510-07J00	178A-6	18571-04K00	427A-2
13736-48K00	155A-6	16520-04K00	116A-11	18572-04K00	427A-3
13740-48K00	155A-4	16591-04K00	178A-8	18573-04K00	427A-6
13746-48K00	155A-5	16600-04K00	178A-1	18590-18K10	155A-19
13756-48K00	155A-3	16611-48K00	178A-2	18592-68K00	417A-10
13780-48K00	155A-2	17400-04K10	180A-1	18711-04K00	189A-3
13788-48K00	155A-11	17418-33401	180A-7		
13827-40H01	155A-8	17432-07G00	180A-11		
13853-04K01	155A-17	17435-33400	180A-8		
13878-10G01	155A-9	17461-48G00	180A-5		
13881-48K00	155A-7	17470-02F11	180A-4		
14100-48K40	163A-1	17491-17E01	180A-2		
14181-04K00	101A-14	17568-50F00	187A-11		
	163A-2	17661-35F00	187A-5	21200-40880	201A-3
14250-21H00	163A-14	17670-06G61	187A-6	21411-48K00	201A-4
14250-48K00	163A-6	17710-48K00	185A-1	21412-31J00	201A-15
14252-14J00	163A-15	17711-14G00	185A-9	21413-48K00	201A-5
14310-48K10	163A-18	17730-14G00	185A-11	21414-25L00	201A-16
14459-47H00	163A-19	17760-07L00	185A-5	21415-31J00	201A-6
14770-48K00	163A-3	17771-48K10	185A-7	21441-36F50	201A-7
14771-24F01	163A-20	17781-48K00	185A-12	21442-41G20	201A-8
14780-48K10	163A-27	17800-48K00	185A-8	21451-41G00	201A-10
14784-48K00	163A-28	17802-14F00	185A-10	21451-41G40	201A-11
14791-04K22	163A-33	17851-04K10	187A-1	21452-48K00	201A-9
14795-10FA0	163A-29	17852-04K00	187A-2	21462-48K00	201A-12
15100-17K10	172A-1	17853-40F10	187A-3	21471-41G10	201A-13
15113-05H00	172A-5	17854-04K10	187A-14	21472-41G20	201A-14
15113-17K00	172A-8	17855-04K00	187A-25	23110-38B00	201A-21
15113-35F00	172A-11	17857-04K10	187A-16	23111-35F00	201A-22
15113-48H00	172A-4	17861-33E20	187A-8	23121-41G30	201A-23
15114-17K00	172A-6	17863-33E00	187A-9	23122-41G10	201A-24
15115-17K00	172A-9	17881-04K00	187A-26	23123-41G00	201A-25
15116-17K00	172A-7	17891-04K00	187A-27	23125-41G00	201A-26
15120-04K00	172A-17	17899-48K00	187A-29	23271-41G60	201A-27
15122-17K00	172A-18	17910-04K00	187A-18	23915-78A20	545A-6
15201-07L00	172A-14	17931-31J00	187A-19	24120-40F40	206A-1
15310-17K00	172A-2	17981-04K10	187A-21	24131-40F20	206A-18
15420-17K00	172A-10	17982-04K00	187A-23	24221-40F30	206A-2
15610-17K00	172A-3	18114-74P00	427A-5	24231-40F50	206A-3
15710-04K00	140A-17	18213-25L00	163A-35	24251-40F50	206A-4
15717-58B00	140A-18	18450-35F60	189A-1	24252-35F00	206A-5
15722-14J00	140A-19	18461-04K01	189A-4	24261-40F40	206A-6
15810-04K01	172A-16	18471-04K01	189A-5	24262-35F10	206A-7

20000

PART NO.	FIG.NO.-REF.NO.	PART NO.	FIG.NO.-REF.NO.	PART NO.	FIG.NO.-REF.NO.
24311-40F30	206A-21	31171-38300	301A-10	36618-31J00	350A-24
24321-40F50	206A-22	31172-38300	301A-9	36620-48K00	350A-25
24322-02F01	206A-23	31264-44110	301A-11	36651-07L00	350A-13
24331-40F30	206A-24	31281-88C00	301A-12	36652-04K00	447A-8
24332-46H00	206A-19	31361-38300	301A-17	36654-06J01	350A-26
	206A-20	31361-43400	301A-18	36654-28K00	350A-11
24333-02F00	206A-25	31401-41G20	304A-2	36770-48K00	330A-5
24341-40F20	206A-26	31402-41G10	304A-1	36771-48K00	330A-6
24351-40F40	206A-27	31800-41G00	311A-1	36851-48K00	350A-23
24361-40F30	206A-28	31861-04K00	310A-8	36853-48K00	350A-28
24751-04K00	206A-47	31861-38G00	311A-2	36854-48K00	350A-29
25211-35F11	212A-1	32371-33E00	304A-3	36990-06L00	322A-7
25231-35F11	212A-2	32800-07L00	313A-1		355A-2
25310-40F10	212A-6	32910-48K00	322A-1	37100-48K30	352A-2
25312-17K00	212A-8	33110-35F10	306A-1	37102-48890	352A-1
25350-35F00	212A-13	33115-33E00	306A-2	37146-48K10	352A-7
25355-35F01	212A-14	33410-47H00	316A-1	37152-17K00	352A-3
25381-17K00	212A-9	33620-17K01	310A-1	37180-04KA2	352A-4
25411-24F00	212A-3	33624-48K00	310A-10	37400-48K20	355A-1
25411-26D01	212A-4	33652-21G10	420A-8	37730-48K00	212A-36
25451-35F00	212A-5	33652-28010	310A-2	37740-48K01	350A-14
25500-48K00	212A-27	33652-36000	310A-3	37750-48K10	467A-8
25510-48K00	212A-17	33652-36100	322A-3	37755-48K00	467A-9
25512-06G20	212A-18	33652-38A10	322A-2	37820-33D11	116A-24
25525-24F10	212A-29	33652-48K20	310A-4	37822-33D00	116A-25
25526-47001	212A-28	33652-48K40	310A-5	37840-48K00	350A-16
	212A-31	33652-49000	534A-19	38500-48K00	350A-18
25600-04K11	212A-30	33810-48KB0	310A-7	38590-04K10	350A-19
25652-20C00	212A-32	33820-48KB0	310A-9	38610-06LA1	334A-11
25671-35F00	212A-19	33970-47H03	322A-6	38860-76F01	350A-6
27511-20A21	206A-41	33972-31D00	474A-9		350A-7
27531-04K00	206A-42	34100-48KF0	330A-1		350A-8
27600-33E50-116	206A-43	34187-48K01	330A-3		350A-9
27620-33E50	206A-44	34810-48K10	172A-12	39105-48K00	350A-30
		34815-48K00	172A-13		
		34955-10L00	330A-4		
		35100-48KB0	333A-1		
		35601-48KB1	334A-1		
		35602-48KB1	334A-4		
		35603-48KD0	334A-5		
31100-04K00	301A-1	35604-48KD0	334A-8	41100-04K20-YAP	401A-1
31130-38300	301A-2	35710-31JA0	339A-1	41139-21H10	401A-9
31132-27A01	301A-3	35910-48K00	339A-4	41200-48K10-QKA	401A-3
31135-65010	301A-4	35926-48K00	339A-5	41911-40F01	401A-5
31143-38300	301A-5	35950-13K01	339A-7	41921-16G10	401A-7
31150-04K00	301A-6	35970-07F01	339A-9	41922-33E20	401A-8
31153-49210	301A-7	36101-48KB0	333A-5	42310-48K00	407A-1
31156-17E00	112A-4	36102-48KB0	333A-6	42330-48K00	407A-6
31156-38300	301A-8	36610-48KE0	350A-1	43110-04K10	407A-8
31170-04K00	301A-16	36611-38A10	350A-10	43130-24A00	530A-13

30000

40000

PART NO.	FIG.NO.-REF.NO.	PART NO.	FIG.NO.-REF.NO.	PART NO.	FIG.NO.-REF.NO.
		550A-22	44560-23H00	420A-26	47611-48K00
43232-48K00	350A-15	44561-04K00	420A-19	47612-23H00	434A-18
43510-48K10	415A-1	44561-18G00	425A-6	47912-31J00	112A-35
43511-44G50	415A-6	44571-04K00	420A-20		
43521-44G50	415A-7	44572-13G00	420A-5		
43521-48K10	415A-3		433A-10		
43533-48K20	415A-15	44572-37H00	433A-7		
43540-48K20	415A-8	44572-44G00	420A-23		
43550-10L00	417A-13	44894-24A00	422A-9		
43550-48K00	415A-16		422A-11		
43571-04K10	415A-2		447A-30	51103-48KE0	521A-1
43572-04K10	415A-4	45100-48K20-B8Q	505A-1	51104-48KE0	521A-19
43576-31J00	415A-14	45120-48K00	505A-6	51110-48KE0	521A-2
43581-48K00	415A-12	45148-04K00	447A-12	51120-48KE0	521A-20
43585-01H01	401A-2		505A-4	51128-48KE0	521A-29
43611-10L00	417A-3	45148-20G00	505A-12	51131-48KE0	521A-3
43621-10L00	417A-4	45148-20G90	505A-10		521A-21
43811-48K00	417A-1	45148-27J00	433A-8	51147-06F10	521A-30
43816-10L00	417A-8	45212-18K00	505A-11	51148-31030	521A-31
43821-48K00	417A-2	45220-04K20	505A-13	51152-47H00	521A-4
44100-48KA0-QU5	420A-1-3	45280-48K20	505A-15		521A-22
44100-48KA0-YSF	420A-1-1	45288-14F00	505A-18	51153-27G00	521A-5
44100-48KA0-YVB	420A-1-2	45289-11F00	505A-17		521A-23
44121-07L00	420A-27	45300-48K50-B8Q	505A-8	51168-29G00	521A-6
44176-31J00	433A-6	45516-01H00	447A-26		521A-24
44200-17840	420A-3	45517-16G20	401A-11	51171-48KE0	521A-7
44244-11J00	420A-4	46311-48K00	412A-1		521A-25
44271-04K01	422A-10	46312-48K00	412A-2	51173-48KE0	521A-8
44277-18K00	326A-4	47111-48K10	433A-1		521A-26
44281-29C00	406A-4	47121-48K10-QU5	434A-11-3	51175-48KE0	521A-11
44281-48K00	422A-1	47121-48K10-YSF	434A-11-1	51176-48KE0	521A-12
44282-48K00	422A-6	47121-48K10-YVB	434A-11-2	51177-48KE0	521A-13
44283-06JA0	420A-18	47131-48K10	434A-1	51178-48KE0	521A-32
44283-48K00	422A-7	47161-40D10	333A-7	51187-47H00	521A-9
44285-48K00	420A-22		433A-11		521A-27
44286-48K00	422A-8	47211-48K10	433A-2	51198-48KE0	521A-33
44423-48K00	420A-16	47221-48K20-QU5	434A-12-3	51310-48KE0-20H	524A-5
44484-07L00	420A-24	47221-48K20-YSF	434A-12-1	51321-25L30	524A-7
44485-07L00	420A-25	47221-48K20-YVB	434A-12-2	51321-48KE0	524A-18
44512-04K00	420A-12	47231-48K20	434A-2	51328-25L30	524A-2
44521-04K00	420A-10	47232-48K20	434A-17		524A-6
44523-47H00	420A-11	47311-48K20	434A-15	51328-44HB0	521A-18
44530-04K00	425A-1	47410-48K10	482A-4		521A-37
44541-41G00	420A-6	47411-48K20	406A-1	51331-25L30-20H	524A-8
44541-48K00	425A-4	47412-48K20	406A-2	51332-48KE0-20H	524A-9
44542-04K01	420A-7	47414-48K20	406A-3	51337-48KE0-20H	524A-10
44542-48K00	425A-3	47420-48K00	322A-15	51353-01H00	524A-11
44543-04K00	420A-9	47460-48K10	474A-10	51354-01H00	524A-12
44552-24B00	420A-21	47511-48K00	434A-13	51355-49G00	524A-13
44552-24B10	533A-8	47512-10D00	482A-9		524A-14

50000

PART NO.	FIG.NO.-REF.NO.	PART NO.	FIG.NO.-REF.NO.	PART NO.	FIG.NO.-REF.NO.
51410-48KE0-291	524A-1	56600-06L20	464A-2	59541-48K00	536A-13
51556-38B00	521A-10	57059-48K10	467A-11	59600-06L90	537A-1
	521A-28	57100-06L50	467A-1	59601-45810	537A-3
51583-48K00	524A-24	57110-06L10	467A-2	59664-32F00	537A-5
51631-33E00	524A-19	57211-21H01	467A-10	59666-44300	537A-4
51641-33E00	524A-20	57300-10G40	467A-5	59667-23H00	537A-6
51643-41G00	524A-21	57341-06L01	472A-1	59669-23H20	537A-7
51644-12C00	524A-3	57342-06L00	472A-2	59671-32F00	537A-8
	524A-22	57346-06L00	462A-4	59675-02FA0	537A-9
51700-48810	521A-34	57431-17H02	467A-6		
51774-48KE0	521A-35	57431-41G60	467A-14		
51790-48KE0	521A-14	57437-23H00	537A-2		
51791-48KE0	521A-15	57500-48K10	467A-12		
51792-48KE0	521A-16	57512-41G00	467A-21		
51793-48KE0	521A-17	57532-41G00	467A-15		
51827-27E00	521A-36	57541-06L01	472A-3		
51911-04K00	524A-26	57542-48K20	472A-4	61000-47H21-YAP	541A-1
53111-48K00-QU5	460A-1-3	57543-48K20	472A-5	61124-41G00	541A-5
53111-48K00-YKV	460A-1-1	57560-05A10	467A-22	61211-01H00	541A-8
53111-48K00-YVB	460A-1-2	57562-41G01	467A-23	61214-42E10	541A-10
53112-06L00	447A-27	57621-48K00	467A-13	61251-41G00	541A-7
53117-48K00	460A-5	57641-33E21	467A-18	61273-48K00	541A-11
53118-48K00	460A-6	57642-33E10	467A-20	61281-41G00	541A-4
54111-04K30-019	530A-1-2	57644-33E10	467A-19	61310-04K00	541A-13
54111-04K30-QUV	530A-1-1	58200-48K10	466A-1	61445-40F00	541A-17
54162-44H00	530A-10	58620-48K20	466A-2	61446-40F00	541A-18
54711-14J00	530A-5	58640-04K00	466A-3	62100-48KE0-17U	545A-1
54731-14J00	530A-2	58650-48K01	466A-4	62148-48KE0	545A-2
54751-14J00	530A-7	59100-14820	535A-3	62149-48KE0	545A-5
55110-48K11	530A-12		535A-8	62317-27C10	543A-2
55411-22H00	530A-14-1	59100-14840	535A-5	62317-44B00	543A-5
	550A-23-1		535A-10	62317-47H00	545A-7
55412-22H00	530A-14-2	59100-17810	535A-2	62391-48K00	545A-8
	550A-23-2		535A-7	62393-48K10	545A-9
55413-22H00	530A-14-3	59100-17820	535A-11	62394-48K00	545A-10
	550A-23-3	59100-17K00-999	535A-1	62450-48KE0	545A-4
55610-48K40	533A-1	59121-01A00	555A-12	62510-48KE0	534A-20
55651-48K10	533A-2	59122-46H00	555A-13	62600-48890	543A-8
55662-10G00	533A-5	59146-21E10	555A-8	62611-48K00	543A-1
55663-48H00	533A-6	59151-14J00	535A-4	62647-47H00	543A-11
55710-48K10	534A-1		535A-9	62658-04K00	543A-12
55731-15H00	534A-2	59200-48K30	536A-1	62658-04K10	545A-11
55750-06L00	534A-14	59210-04K00	530A-8	62668-42A02	543A-3
55760-48K00	534A-15	59240-48K00	536A-2		
55763-17K00	313A-2	59260-04K10	536A-9	62994-47H00	530A-6
56111-48K30	462A-1	59271-48K10	536A-11	63111-48K20	474A-1
56245-49G00	524A-15	59300-17K00-999	535A-6	63113-48K00	474A-2
56277-06L10	462A-2	59303-14500	555A-6	63114-48K20	474A-4
56278-25L00	462A-3	59305-36E00	555A-5	63115-37H00	447A-28
56500-06L20	464A-1	59400-48K10	536A-3	63116-48K00	474A-3
				63312-29F00	433A-5

60000

PART NO.	FIG.NO.-REF.NO.	PART NO.	FIG.NO.-REF.NO.	PART NO.	FIG.NO.-REF.NO.
64111-04K30-019	550A-1-2	69667-01H00	558A-13	94510-48K20	482A-1
64111-04K30-QUV	550A-1-1	69668-01H00	558A-14	94520-07L00	483A-4
64162-04K00	550A-7	69669-18K00	558A-15	94530-07L00	483A-5
64511-04K00	550A-19	69670-17K00	558A-6	94540-07L00	483A-6
64610-04K00	550A-14	69672-00B20	558A-8	94611-48K30	481A-18
64651-47H10	550A-18	69674-00B20	558A-10	94641-48K20	481A-1
64711-49G30	550A-9	69686-34200	558A-9	94642-48K20	481A-6
64721-17K00	550A-10	69689-01H00	558A-16	94675-07L10	447A-29
64731-35F10	550A-2	69689-49300	537A-10		481A-13
64733-35F00	550A-15	69691-04A00	558A-3		481A-17
64741-35F10	550A-12	69692-47H00	558A-5	95643-58J00	330A-7
64751-47H10	550A-13	69693-47H00	558A-7	95700-14810	505A-16
65110-48K20	550A-21	69730-48K10	558A-19	96514-17K00	497A-2
65710-48K00	534A-3	69740-48K00	558A-12	96514-17K10	497A-3
65721-48K00	534A-4	69750-48K00	558A-17	99000-69491	126A-13
65730-48K00	534A-13			99011-48KK0-01A	497A-6-1
68111-48K00-AA3	420A-2-2			99011-48KK0-01E	497A-6-2
68111-48K00-CC2	420A-2-1			99011-48KK0-01F	497A-6-3
68111-48K00-CJG	420A-2-3			99011-48KK0-01H	497A-6-4
68131-48K20-CJJ	447A-21-1			99011-48KK0-01K	497A-6-5
68131-48K20-CJK	447A-21-2	94411-48K20-YKV	481A-5	99011-48KK0-01T	497A-6-7
68131-48K20-CJL	447A-21-3	94412-48K20-QU5	481A-3-3	99011-48KK0-029	497A-6-6
68141-48K20-CJJ	447A-24-1	94412-48K20-YSF	481A-3-1		
68141-48K20-CJK	447A-24-2	94412-48K20-YVB	481A-3-2		
68141-48K20-CJL	447A-24-3	94413-48K20-QU5	481A-4-3		
68281-47HA0	422A-2	94413-48K20-YSF	481A-4-1		
68319-25L00	496A-1	94413-48K20-YVB	481A-4-2		
68332-48K50	496A-3	94431-48K20	481A-2		
68391-48K30	496A-4	94443-06G00	333A-8		
69100-04810	555A-2		434A-16		
69100-04820	555A-3		474A-13	01547-0512A	352A-6
69100-04K00-999	555A-1	94461-48K20	447A-3	01547-0516A	163A-16
69100-08860	555A-15	94462-48K20	447A-4	01547-0550A	322A-14
69115-04F00	555A-4	94470-48K10-CSX	447A-20-3	01547-0612A	533A-7
69132-08J00	555A-16	94470-48K10-QKA	447A-20-1		557A-7
69133-16G00	555A-17	94470-48K10-YLF	447A-20-2	01547-0612B	466A-5
69134-16G00	555A-18	94471-07L00-YKV	483A-1		534A-7
69141-40F00	555A-7	94471-48K20-YKV	447A-22		536A-10
69150-04K00	555A-14	94472-07L00	483A-2		557A-9
69182-04F00	555A-9	94472-48K20	447A-1	01547-0616A	534A-6
69185-04F00	555A-10	94474-22D00	401A-10	01547-0616B	536A-8
69186-04F00	555A-11	94479-15H00	483A-7	01547-0620A	116A-10
69200-48K00	557A-1	94479-35F00	447A-13		116A-18
69211-04K00	550A-5		483A-8		187A-7
69260-04K00	557A-6	94480-48K10-CSX	447A-23-3		187A-10
69271-48K00	557A-8	94480-48K10-QKA	447A-23-1	01547-0625A	116A-3
69400-48K10	557A-2	94480-48K10-YLF	447A-23-2		301A-19
69600-34810	558A-2	94481-07L00-YKV	483A-3		557A-5
69600-47H31	558A-1	94481-48K20-YKV	447A-25	01547-0625B	467A-17
69665-47H00	558A-4	94482-48K20	447A-2	01547-0630A	108A-10

90000

00000

PART NO.	FIG.NO.-REF.NO.	PART NO.	FIG.NO.-REF.NO.	PART NO.	FIG.NO.-REF.NO.
01547-0640A	109A-11		534A-9	09103-06236	206A-48
	108A-5	06111-08004	417A-7	09103-06240	534A-8
	108A-9	07120-0616A	172A-15	09103-06266	103A-2
	108A-11	07120-0650A	103A-10	09103-06527	201A-28
01547-0660A	108A-12	07120-0865A	108A-8	09103-06528	112A-14
01547-0670A	108A-13	07120-1025A	412A-6	09103-06529	112A-8
01547-0680A	108A-4	07120-1035A	401A-4		112A-27
01550-0612A	103A-8	07130-0512A	530A-11	09103-06530	112A-15
	427A-4		550A-8		112A-23
	483A-9	07130-0612A	304A-5		180A-12
	505A-7	07130-0612B	524A-25	09103-06531	112A-28
01550-0616A	185A-6	07130-0616B	545A-16	09103-06532	212A-33
01550-0616B	536A-12	07130-0625A	127A-8	09103-06534	112A-32
	536A-14	07130-0812A	350A-21	09103-06535	112A-21
01550-0620A	116A-12	08211-06141	212A-16	09103-06541	112A-33
	350A-17	08211-10285	122A-11	09103-06550	534A-5
01550-0635A	313A-5	08211-20403	122A-12	09103-08027	108A-7
01550-0650A	482A-5	08310-00067	301A-14	09103-08351	524A-27
01550-0825A	412A-4	08310-0006A	201A-38	09103-09012	108A-6
	412A-5	08310-0006B	212A-34	09103-10189	122A-13
01550-0840A	482A-6	08313-2008A	482A-8	09103-10205	109A-12
02112-0530B	467A-3	08316-1006A	163A-17	09103-10366	407A-7
02112-0540B	467A-4		313A-6	09103-10428	545A-12
02112-0616A	180A-6		334A-3	09103-12005	304A-4
02122-0616B	103A-17		334A-7	09106-05023	212A-37
02142-0516A	417A-14		427A-7	09106-06075	109A-3
02142-1520B	434A-7		505A-9	09106-06122	304A-6
03511-0516A	155A-16		505A-14	09106-06124	530A-9
03541-0512B	434A-4		534A-18	09106-07021	102A-4
03541-0516A	333A-10	08316-1008A	163A-26	09106-08160	550A-6
	339A-3		541A-20	09106-08162	163A-10
	339A-6	08319-2106A	467A-7		163A-22
	406A-9	08319-3105A	339A-8	09106-08178	163A-5
	434A-5		339A-10	09106-08185	401A-6
	447A-6	08319-3106B	467A-16	09106-08195	163A-21
	481A-10	08319-3110A	524A-16	09106-08198	108A-3
	481A-12		550A-20	09106-08209	415A-5
03541-0520A	155A-12	08322-0106A	558A-22	09106-08213	417A-12
	155A-20	08331-31109	116A-23	09106-10064	415A-9
03541-0616B	474A-5	08331-3114A	212A-26	09106-10069	109A-14
	417A-9	08331-3118A	407A-10	09106-10070	109A-15
04211-09129	558A-23	08332-1106A	415A-13	09106-10096	535A-12
	112A-31	08361-3506A	301A-15	09111-06041	212A-15
04211-09149	112A-13		301A-20	09111-06072	406A-5
	112A-22	09100-05019	306A-3	09111-06085	187A-20
	112A-26		306A-4	09111-06089	155A-13
04211-09189	112A-6	09100-06099	180A-9	09111-06262	434A-9
04211-11169	103A-6	09100-08287	541A-19	09111-10059	407A-2
04221-04089	120A-3	09103-06060	425A-5	09116-05030	330A-2
	212A-7	09103-06201	189A-8	09116-06006	350A-20

PART NO.	FIG.NO.-REF.NO.	PART NO.	FIG.NO.-REF.NO.	PART NO.	FIG.NO.-REF.NO.
09116-06172	420A-13	09159-05019	322A-9	09168-06025	180A-3
09116-06202	322A-8		434A-3	09168-06026	187A-12
09116-06528	163A-24		481A-19	09168-08016	108A-15
09116-06529	474A-6	09159-05053	481A-22		108A-16
09116-08176	163A-4	09159-06076	425A-7	09168-10002	109A-7
09118-06097	185A-2	09159-10111	407A-3		116A-8
09125-05147	415A-17	09159-10115	109A-13	09168-12017	103A-19
09125-06060	541A-6		545A-13	09168-14002	109A-16
09128-06013	311A-4	09159-12056	543A-4		116A-6
09134-06015	201A-29		543A-7	09168-16002	109A-4
09135-08007	163A-9		543A-13	09169-05024	352A-5
09136-05062	333A-2	09159-20004	206A-45	09169-06100	334A-2
	482A-3	09159-20006	541A-9		334A-6
09136-06002	447A-17	09159-24010	201A-17	09180-06161	322A-12
09136-06147	212A-10	09160-04030	460A-8	09180-06264	447A-16
09136-06159	447A-15	09160-05045	322A-10	09180-06290	185A-3
09139-05091	433A-9	09160-05048	481A-21	09180-06331	313A-4
	474A-14	09160-05501	339A-2	09180-08152	163A-7
09139-05103	447A-14	09160-06077	313A-3		163A-24
09139-05108	434A-19	09160-06088	533A-4	09181-10158	116A-21
	447A-5	09160-06126	322A-11	09181-12167	122A-4
	472A-6	09160-08090	417A-11	09181-14167	212A-21
	481A-9	09160-08122	482A-7	09181-20251	206A-30
09139-05111	481A-20	09160-08127	350A-22	09181-21002	178A-7
09139-06065-XC0	533A-3	09160-08503	163A-23	09181-22223	206A-31
09139-06128	109A-3	09160-10020	201A-30	09181-23002	124A-5
09139-06139	558A-18	09160-12037	543A-14	09181-25223	201A-19
09139-06144	474A-11	09160-12067	545A-14	09181-27014	206A-9
09139-06193	505A-5	09160-14016	212A-20	09200-06037	558A-21
09139-06200	422A-3	09160-15045	201A-31	09200-08076	417A-5
09139-06203	425A-2	09160-18022	407A-9	09206-08007	103A-3
09139-06206	460A-3	09160-25056	201A-18	09206-10016	102A-6
09139-06211	483A-10	09160-25066	206A-46	09206-12006	122A-2
	534A-17	09160-25070	550A-11		122A-7
09139-06214	541A-14	09160-25073	201A-1	09208-08018	415A-11
09139-06220	406A-8	09160-27008	206A-29	09208-08019	415A-10
	483A-11	09161-10009	536A-4	09229-04038	460A-7
09139-06222	460A-2		557A-3	09241-26004	124A-6
09139-06224	558A-11	09164-06006	180A-10	09247-14036	116A-5
09139-06225	541A-15	09164-12021	122A-5	09248-10010	109A-6
09139-06226	541A-12		122A-8		116A-7
09140-06032	212A-35	09164-24008	201A-20	09248-14011	109A-17
09148-05038	434A-6	09167-27003	206A-8	09248-16013	109A-5
	474A-7	09168-06023	103A-9	09250-06015	524A-17
	422A-12		108A-14	09250-06017	406A-6
09148-05052	434A-20		108A-17		434A-21
	447A-10		112A-7	09250-08012	412A-3
	472A-7		112A-16	09250-10030	481A-14
	474A-15		112A-29	09259-36021	112A-17
	481A-15		116A-4	09261-04009	116A-22

SUZUKI GSX-S1000XRREM4 PARTS CATALOGUE

SUZUKI MOTOR CORPORATION All rights reserved

No part of this document may be reproduced or transmitted in any form or by any means, electronic or mechanical, for any purpose, without the express written permission of Suzuki Motor Corporation.

SUZUKI MOTOR CORPORATION

Service Material Development Group, Automobile & Motorcycle Service Engineering Dept.
300 Takatsuka, Minami, Hamamatsu, Japan

SUZUKI MOTOR CORPORATION