



SUZUKI PARTS CATALOGUE

DS250M5 (2025)

V-STRUM 250 SX

When it becomes necessary to replace parts on SUZUKI MOTORCYCLES, always use SUZUKI GENUINE PARTS which have passed a strict inspection which guarantees quality and performance.

This parts catalogue covers the list of all service parts for SUZUKI DS250RLM5.

INSTRUCTIONS FOR QUOTING THE CATALOGUE

1. DIMENSIONS

Dimensions of the parts in this catalogue are indicated in unit millimeters.

2. ABBREVIATIONS

Abbreviations used in this catalogue are as follows:

AR	: As required	NT	: Number of teeth
ASSY	: Assembly	OPT	: Optional
E. NO.	: Engine number	OS	: Over size
F. NO.	: Frame number	STD	: Standard
D	: Diameter of material	T	: Thickness
ID	: Inside diameter	US	: Under size
OD	: Outside diameter	W	: Width
L	: Length		
LH	: Left hand side		
RH	: Right hand side		
~100045	: Up to F. NO. A100-100045		
100046~	: From F. NO. A100-100046		
12 x 34 x 5.6 Figures in the description column		
	show the dimensions of parts.		
ID OD	T(or W, L)		

→12345-56781 (Parts No.) : indicates that the parts number was changed to 12345-56781 and the new parts are interchangeable with the former ones but the former ones are not interchangeable with new ones.

←12345-56781 (Parts No.) : indicates that the former and new parts are interchangeable with each other and both are usable.

3. INNER PARTS OF ASSEMBLY

Part name with a dot (.) in front as shown in the description column indicates the component of the assembly also available individually.

4. MODIFICATION NOTICE

A parts bulletin will be sent to you on all occasions when changes in parts occur, including interchangeable modifications between new parts and old ones.

5. NOTE

5-1. There are some different parts from those of production models among spare parts for the administrative reasons and common use of them with other models.

5-2. In respect of rubber hoses and vinyl tubes, please be sure to use them by cutting off according to the length mentioned on parts catalogue or what is actually required on the vehicle.

5-3. Note that the drawings on the illustration page are for ready reference of spare parts number, not to be used as an assembly manual. When assembling, use "SUZUKI SERVICE MANUAL".

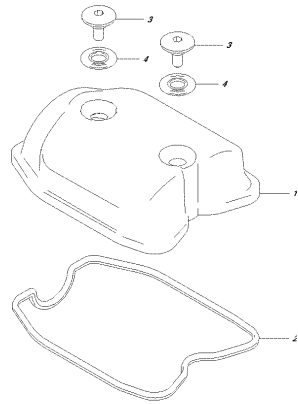
6. SPECIFICATION CODE

This catalogue contains the parts for the model designed for the following spec. ;
spec. code : P08.

7. SERIAL FRAME NUMBER

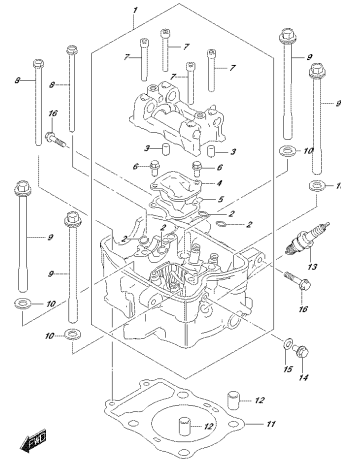
DS250RLM5 :

FIG. 102A



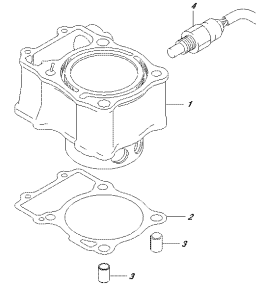
DESIGNAZIONE PREL. 1/034
CITOLACCHIERA/COMPT

FIG. 103A



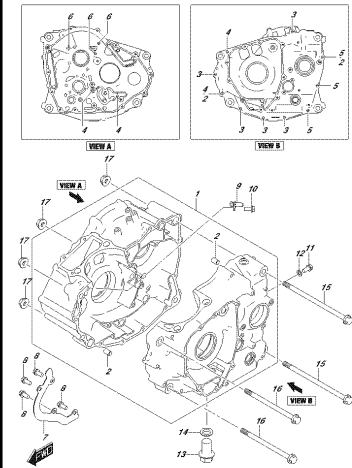
DESIGNAZIONE PREL. 1/034
CITOLACCHIERA

FIG. 107A



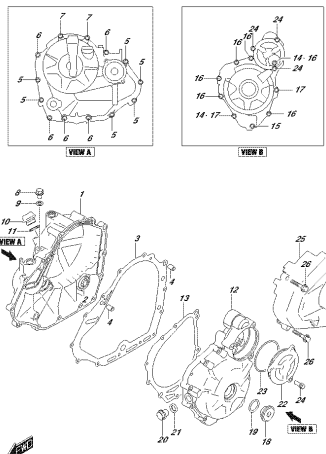
DESIGNAZIONE PREL. 1/034
CITOLACCHIERA

FIG. 108A



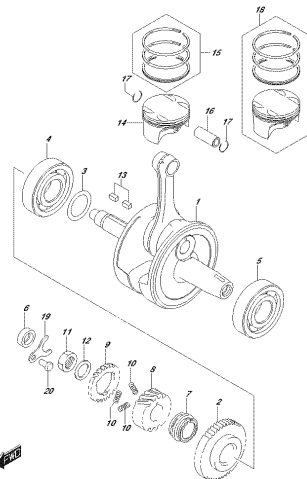
DESIGNAZIONE PREL. 1/034
CITOLACCHIERA

FIG. 112A



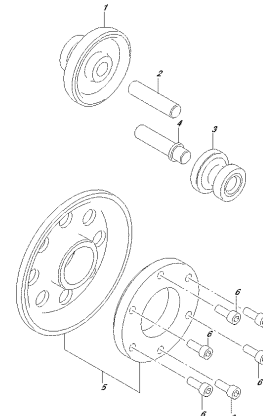
DESIGNAZIONE PREL. 1/034
CITOLACCHIERA/COMPT

FIG. 120A



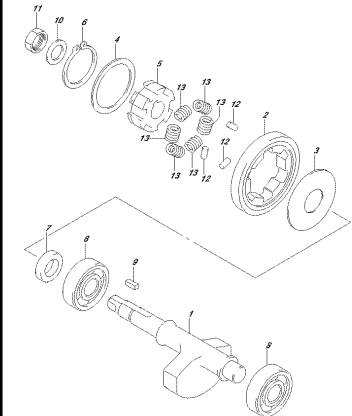
DESIGNAZIONE PREL. 1/034
CITOLACCHIERA

FIG. 122A



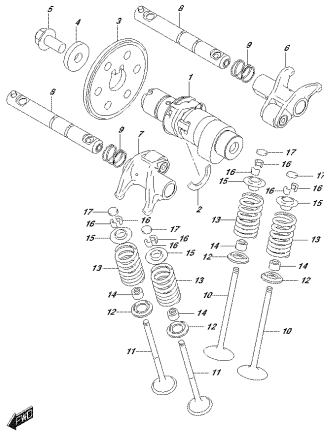
DESIGNAZIONE PREL. 1/034
CITOLACCHIERA

FIG. 124A



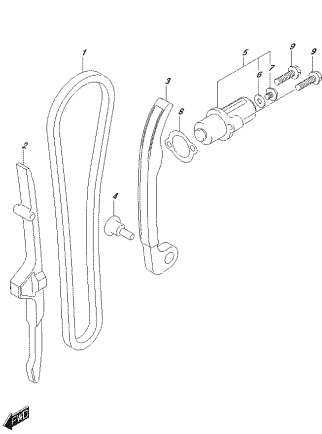
DESIGNAZIONE PREL. 1/034
CITOLACCHIERA

FIG. 126A



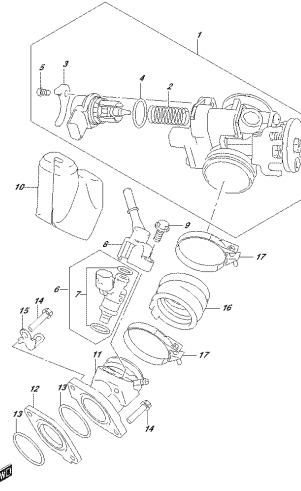
ZERSTÖRBE ARIE 126A
CARBURATORE

FIG. 127A



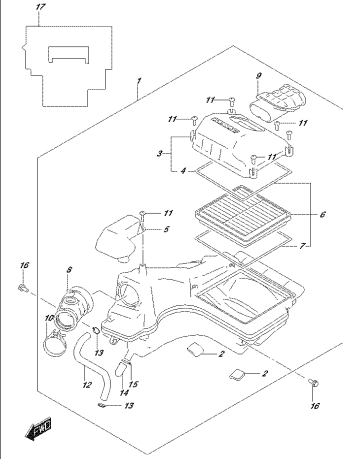
ZERSTÖRBE ARIE 127A
CARBURATORE

FIG. 140A



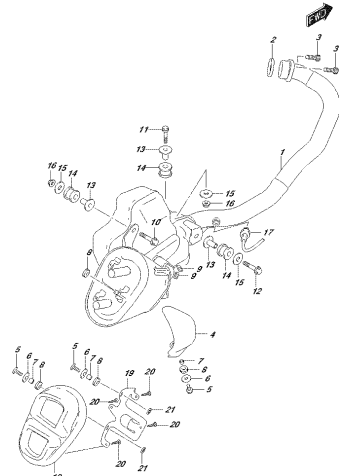
ZERSTÖRBE ARIE 140A
SPRITZLEISTUNG

FIG. 155A



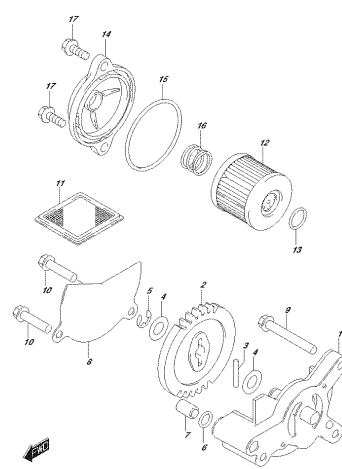
ZERSTÖRBE ARIE 155A
ABSCLEBERST

FIG. 163A



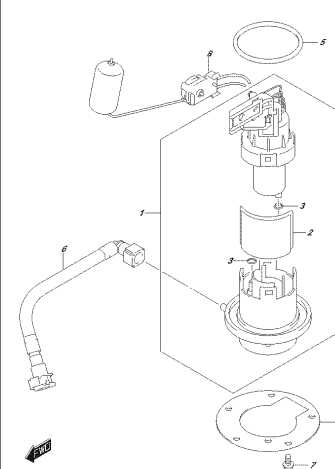
ZERSTÖRBE ARIE 163A
SUFFLEUR

FIG. 170A



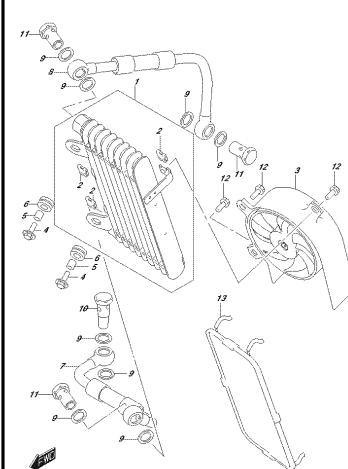
ZERSTÖRBE ARIE 170A
DE PLAMP

FIG. 172A



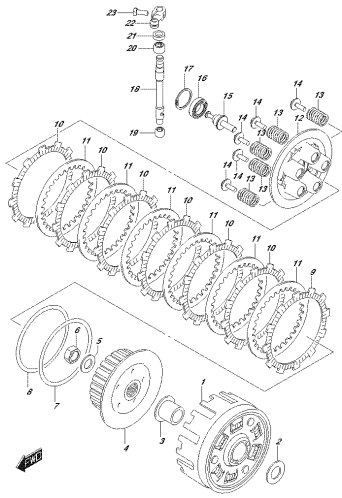
ZERSTÖRBE ARIE 172A
FUELPUMPE

FIG. 178A



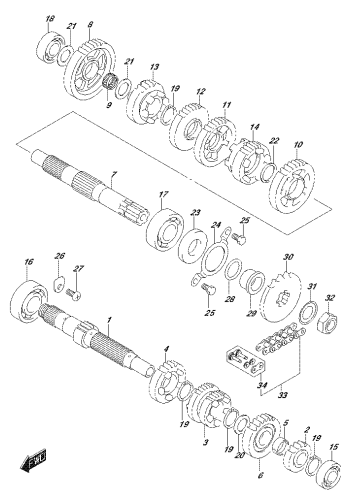
ZERSTÖRBE ARIE 178A
DE CCKRST

FIG.201A



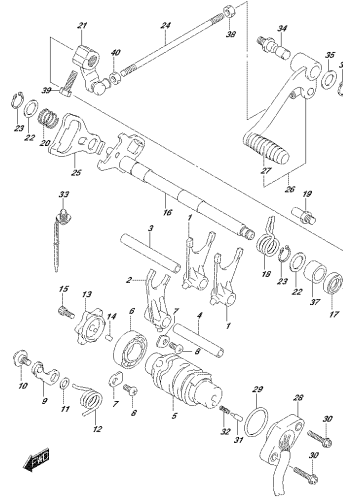
DESIGNAZIONE: ARIE_201A
CELLI: 027

FIG.206A



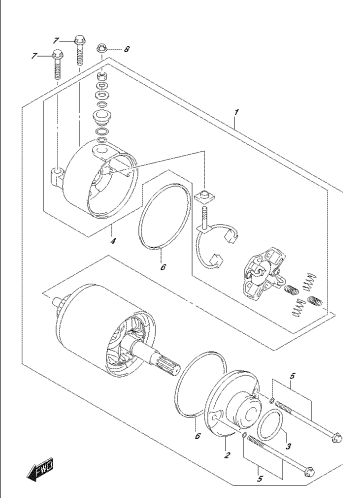
DESIGNAZIONE: ARIE_206A
ITR4455003207

FIG.212A



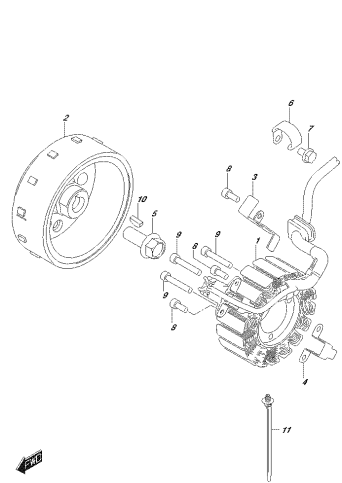
DESIGNAZIONE: ARIE_212A
CEN4120107100

FIG.301A



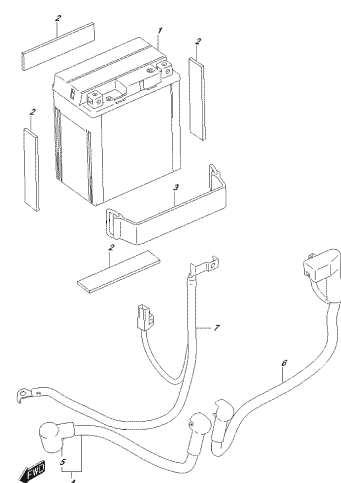
DESIGNAZIONE: ARIE_301A
S2400004100070

FIG.303A



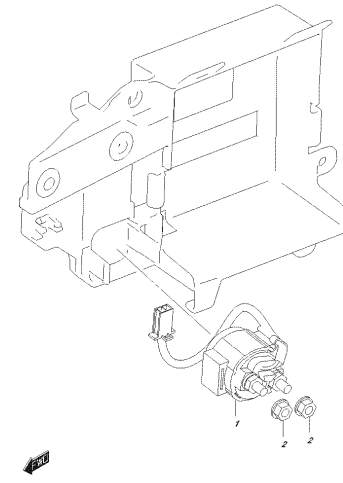
DESIGNAZIONE: ARIE_303A
S4000002

FIG.310A



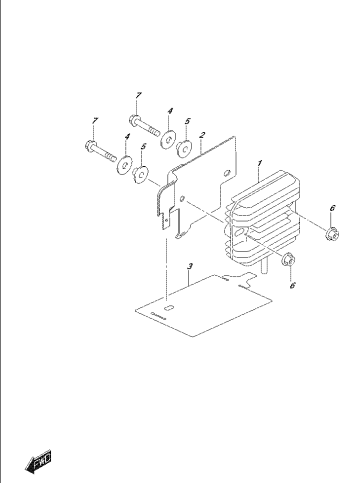
DESIGNAZIONE: ARIE_310A
S410000

FIG.311A



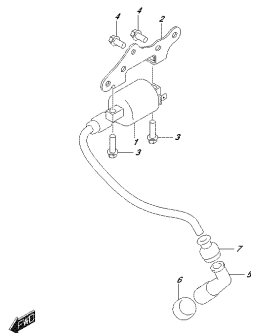
DESIGNAZIONE: ARIE_311A
S2400004100070

FIG.313A



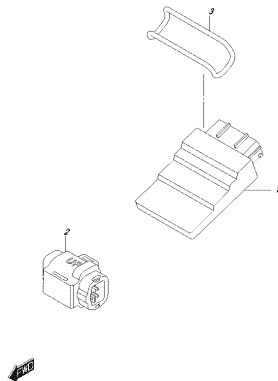
DESIGNAZIONE: ARIE_313A
P0020000

FIG.316A



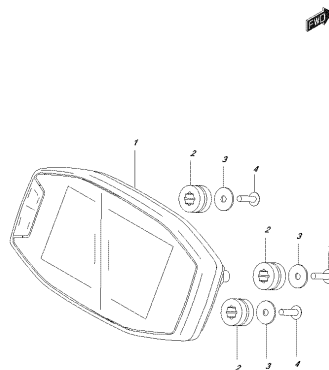
ZENESHAZ_ARE_0264
HORN WITH COIL

FIG.322A



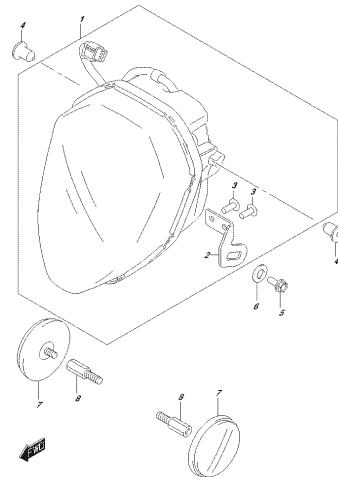
ZENESHAZ_ARE_0264
ELECTRONIC MASTER CONTROL UNIT

FIG.330A



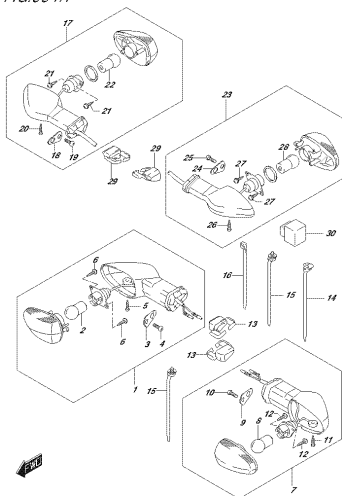
ZENESHAZ_ARE_0264
SPEEDOMETER

FIG.333A



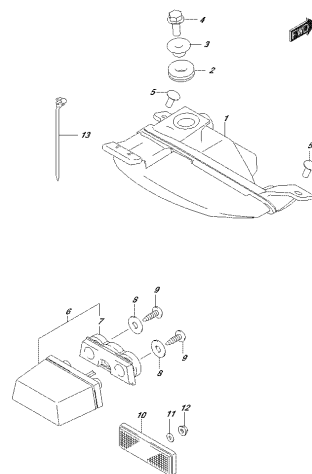
ZENESHAZ_ARE_0264
HEADLAMP

FIG.334A



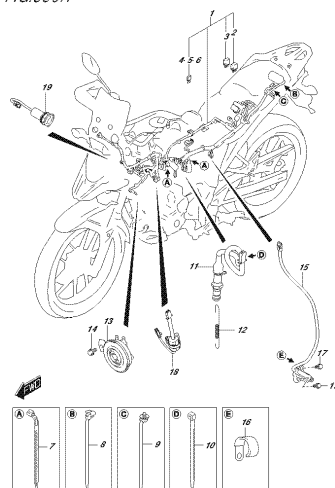
ZENESHAZ_ARE_0264
FULL-POWER LAMP

FIG.339A



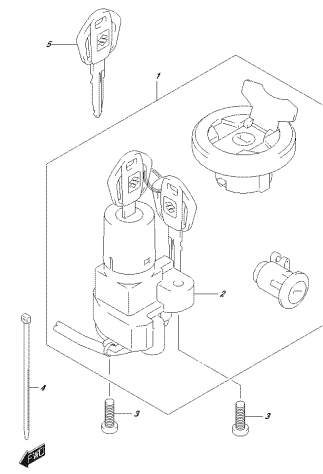
ZENESHAZ_ARE_0264
REAR COMBINATION LAMP

FIG.350A



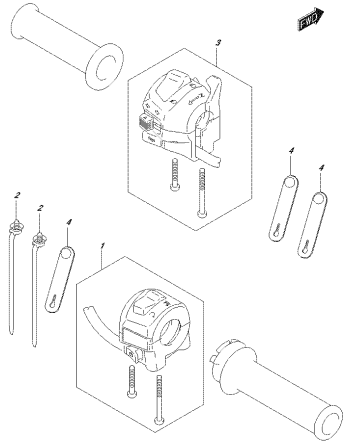
ZENESHAZ_ARE_0264
HORN KIT

FIG.352A



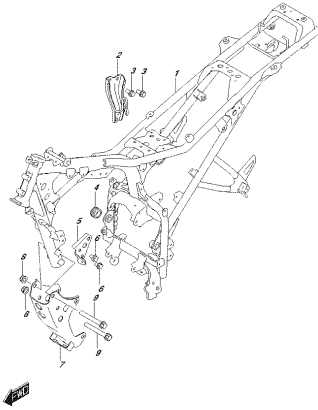
ZENESHAZ_ARE_0264
LOCK SET

FIG.355A



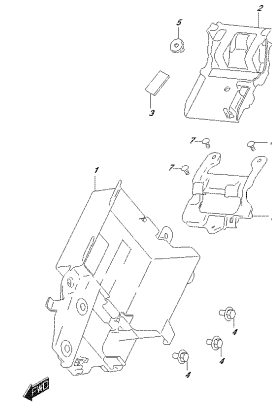
GENSBRE ARIE 4354
HANDLE CONTINUED

FIG.401A



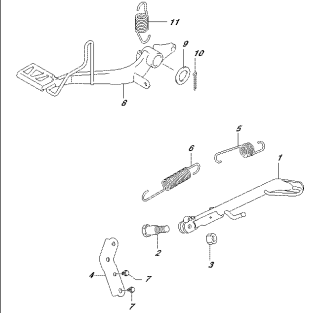
GENSBRE ARIE 4014
FRAME

FIG.406A



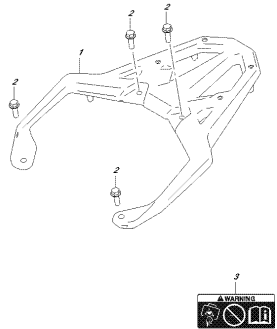
GENSBRE ARIE 4064
MOTOR HOUSING

FIG.407A



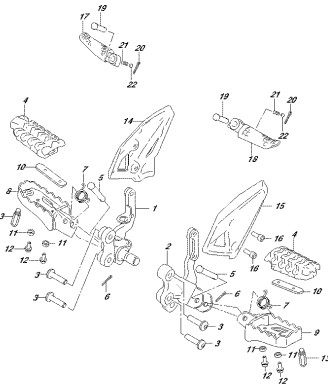
GENSBRE ARIE 4074
TRIGGER

FIG.412A



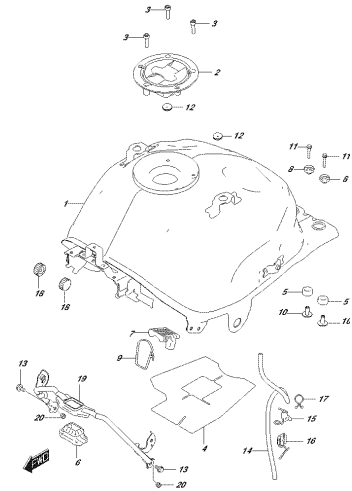
GENSBRE ARIE 4124
HANDLE

FIG.415A



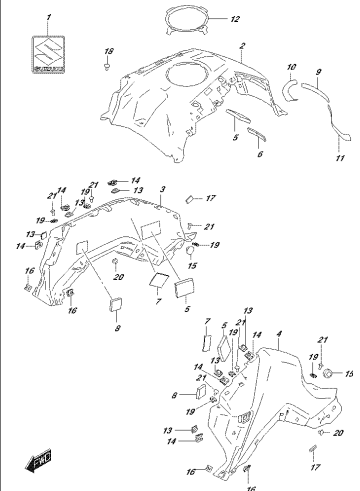
GENSBRE ARIE 4154
FOOTREST

FIG.420A



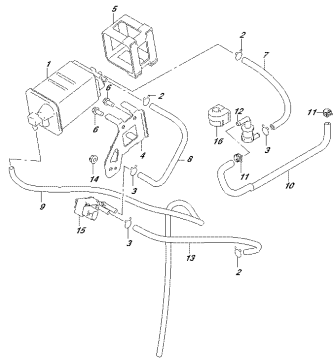
GENSBRE ARIE 4204
FUEL TANK

FIG.423A



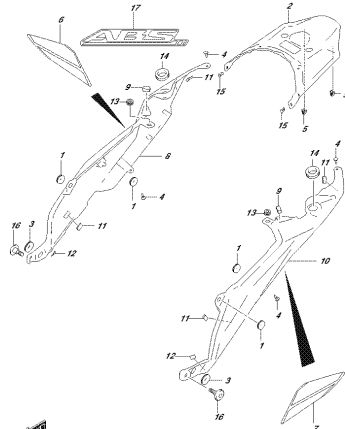
GENSBRE ARIE 4234
FUEL DRAW CONTROL

FIG.427A



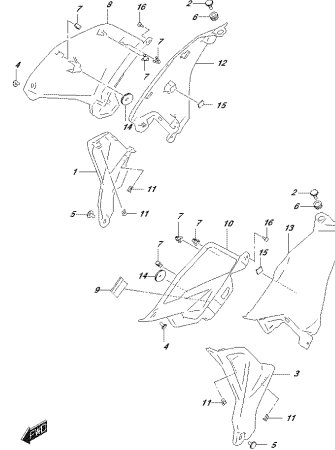
ZREŠNJE PRIE 427A
 ČIŠNJE 2107281

FIG.445A



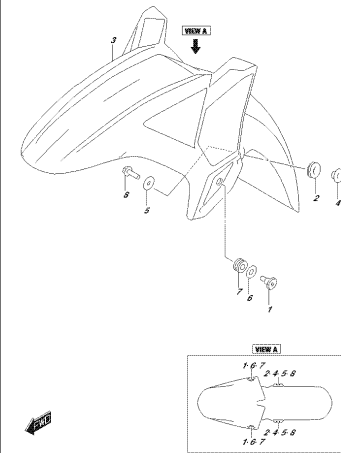
ZREŠNJE PRIE 445A
 STRAŽNJE ČIŠNJE

FIG.446A



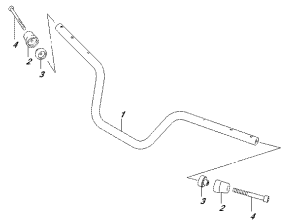
ZREŠNJE PRIE 446A
 STRAŽNJE ČIŠNJE

FIG.460A



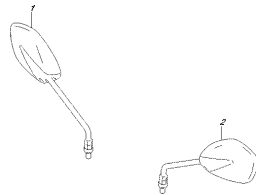
ZREŠNJE PRIE 460A
 STRAŽNJE ČIŠNJE

FIG.462A



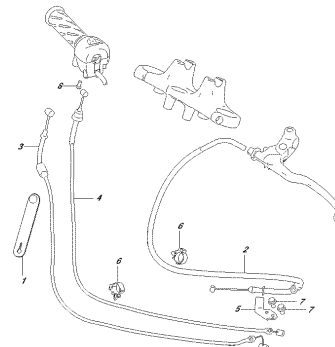
ZREŠNJE PRIE 462A
 HAVKELEBNAJ

FIG.464A



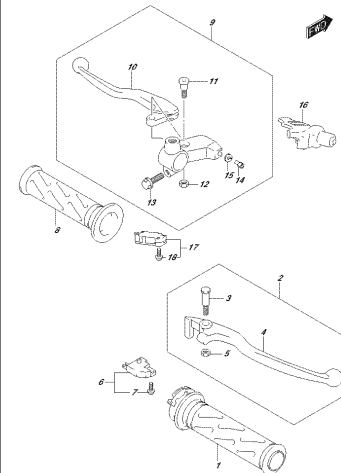
ZREŠNJE PRIE 464A
 REARŠOKER ŠOKER

FIG.466A



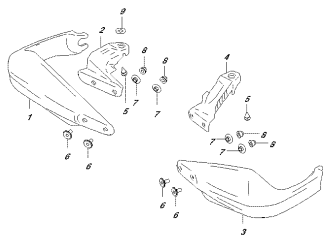
ZREŠNJE PRIE 466A
 CONTROL CABLE

FIG.467A



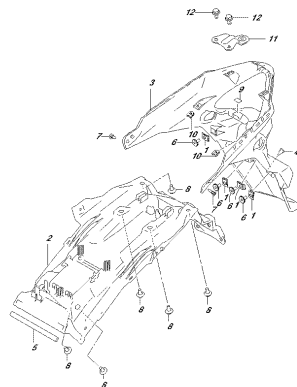
ZREŠNJE PRIE 467A
 HAVKELEBNAJ

FIG.472A



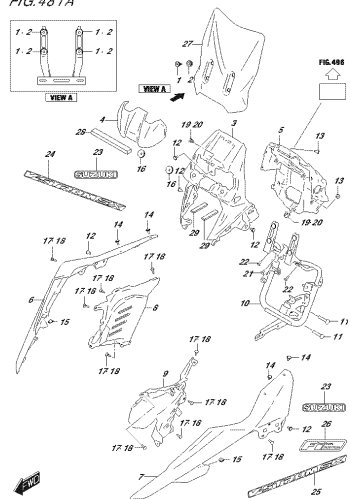
DESIGNAZIONE: ARIE 472A
 HANDLEBAR/GRIP

FIG.474A



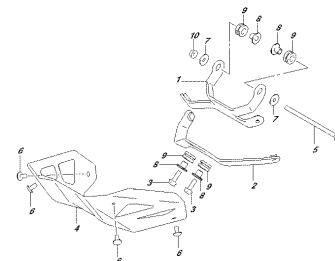
DESIGNAZIONE: ARIE 474A
 REARVIEW MIRROR

FIG.481A



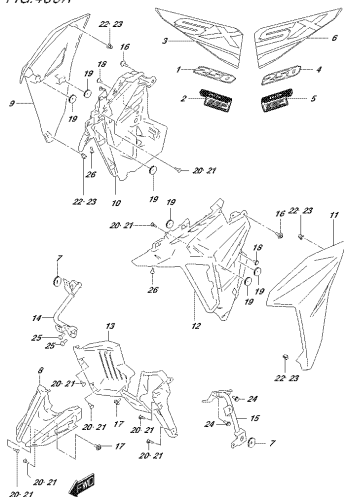
DESIGNAZIONE: ARIE 481A
 HANDGUARD/SHIELD

FIG.483A



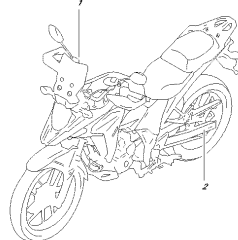
DESIGNAZIONE: ARIE 483A
 FOOTPEGS/FOOTREST

FIG.485A



DESIGNAZIONE: ARIE 485A
 SEAT COVERS/SLIP

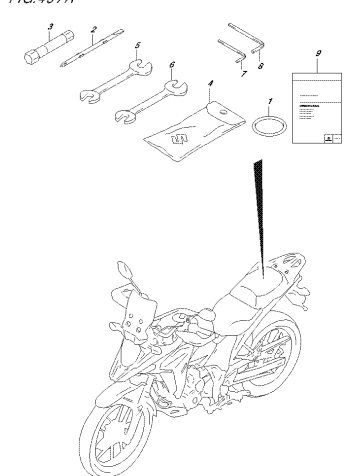
FIG.496A



1	2
<p>AVVERTENZE</p> <p>1. Leggere attentamente le avvertenze e le istruzioni di montaggio.</p> <p>2. Assicurarsi che il prodotto sia installato correttamente.</p> <p>3. Evitare di toccare le parti metalliche del prodotto.</p> <p>4. Evitare di toccare le parti calde del prodotto.</p> <p>5. Evitare di toccare le parti in movimento del prodotto.</p> <p>6. Evitare di toccare le parti in tensione del prodotto.</p> <p>7. Evitare di toccare le parti in pressione del prodotto.</p> <p>8. Evitare di toccare le parti in movimento del prodotto.</p> <p>9. Evitare di toccare le parti in tensione del prodotto.</p> <p>10. Evitare di toccare le parti in pressione del prodotto.</p>	<p>ATTENZIONE</p> <p>1. Leggere attentamente le avvertenze e le istruzioni di montaggio.</p> <p>2. Assicurarsi che il prodotto sia installato correttamente.</p> <p>3. Evitare di toccare le parti metalliche del prodotto.</p> <p>4. Evitare di toccare le parti calde del prodotto.</p> <p>5. Evitare di toccare le parti in movimento del prodotto.</p> <p>6. Evitare di toccare le parti in tensione del prodotto.</p> <p>7. Evitare di toccare le parti in pressione del prodotto.</p> <p>8. Evitare di toccare le parti in movimento del prodotto.</p> <p>9. Evitare di toccare le parti in tensione del prodotto.</p> <p>10. Evitare di toccare le parti in pressione del prodotto.</p>

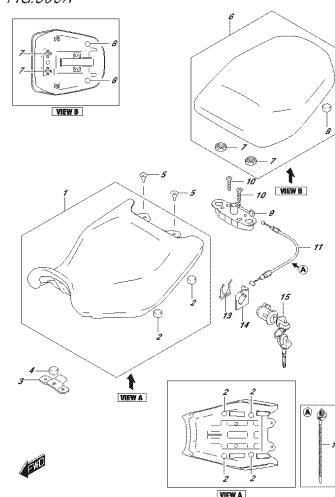
DESIGNAZIONE: ARIE 496A
 LABEL

FIG.497A



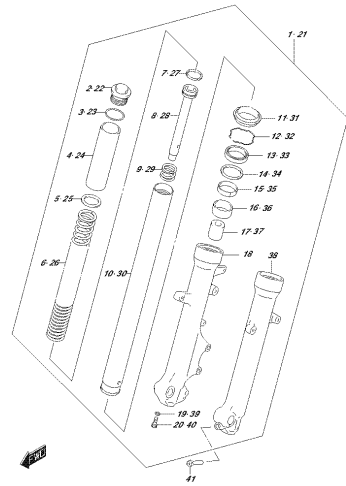
DESIGNAZIONE: ARIE 497A
 HANDLEBAR/GRIP

FIG.505A



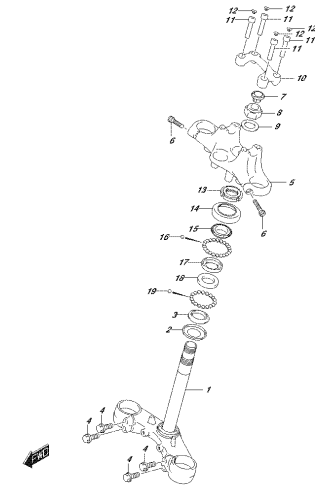
DESIGNAZIONE: ARIE 505A
 SEAT

FIG.521A



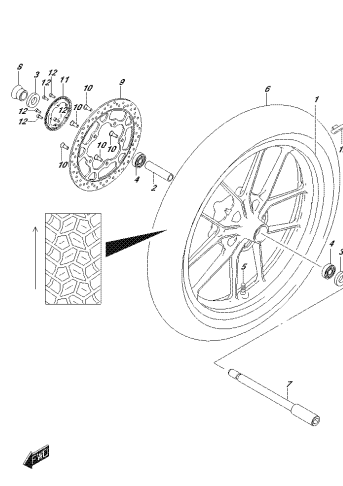
LEZSRIKAZ, ÁRUL, 021A
FRONT FORK LOWER

FIG.524A



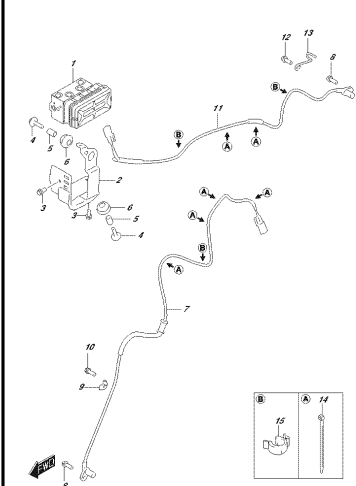
LEZSRIKAZ, ÁRUL, 024A
STEERING STEM

FIG.530A



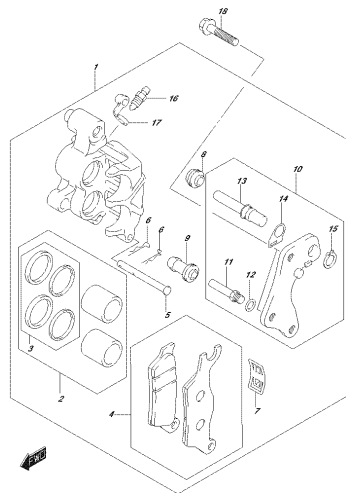
LEZSRIKAZ, ÁRUL, 030A
FRONT WHEEL

FIG.533A



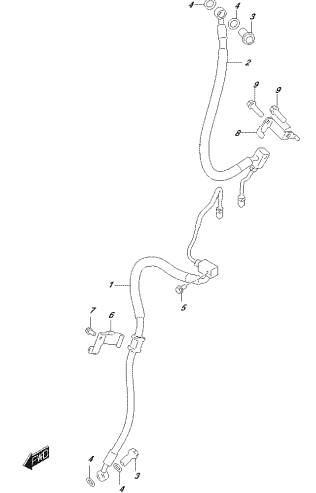
LEZSRIKAZ, ÁRUL, 033A
HYDRAULIC LINE

FIG.535A



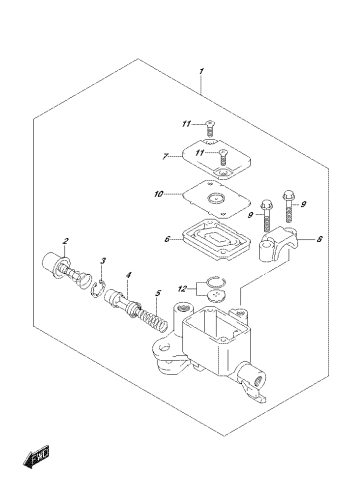
LEZSRIKAZ, ÁRUL, 035A
FRONT CALIPER

FIG.536A



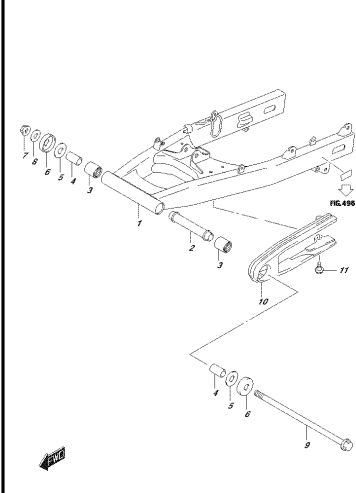
LEZSRIKAZ, ÁRUL, 036A
FRONT BRAKE HOSE

FIG.537A



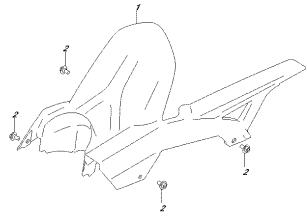
LEZSRIKAZ, ÁRUL, 037A
FRONT MASTER CYLINDER

FIG.541A



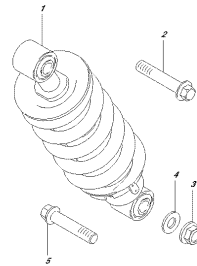
LEZSRIKAZ, ÁRUL, 041A
REAR SHOCK ABSORBER

FIG.542A



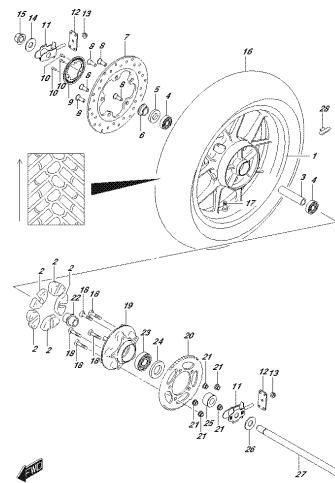
INSTRUZIONI PER IL MAN
CANGIACQUE

FIG.545A



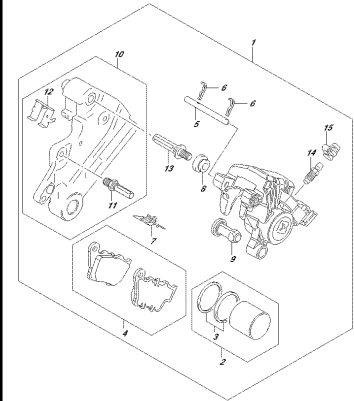
INSTRUZIONI PER IL MAN
REAR SHOCK ASSEMBLY

FIG.550A



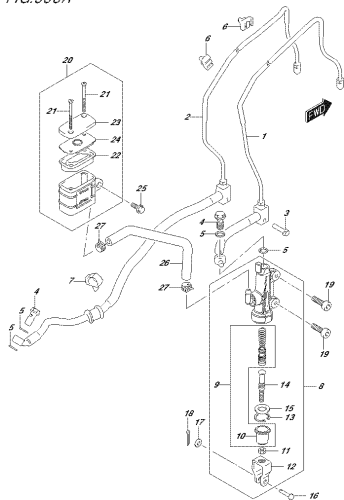
INSTRUZIONI PER IL MAN
REAR WHEEL

FIG.555A



INSTRUZIONI PER IL MAN
REAR MASTER

FIG.558A



INSTRUZIONI PER IL MAN
REAR MASTER CYLINDER

FIG.102A

FIG.102A (1-B-2) CYLINDER HEAD COVER

REF NO.	PART NO.	DESCRIPTION	Q'TY	REMARKS
1	11171-41K00-000	COVER,CYLINDER HEAD	1	
2	11173-41K00-000	GASKET,CYL HEAD COVER	1	
3	09106-07027-000	BOLT (L6.5)	2	
4	11191-27E00-000	WASHER,CYL HEAD COVER (10.6X25 .5X1.6)	2	

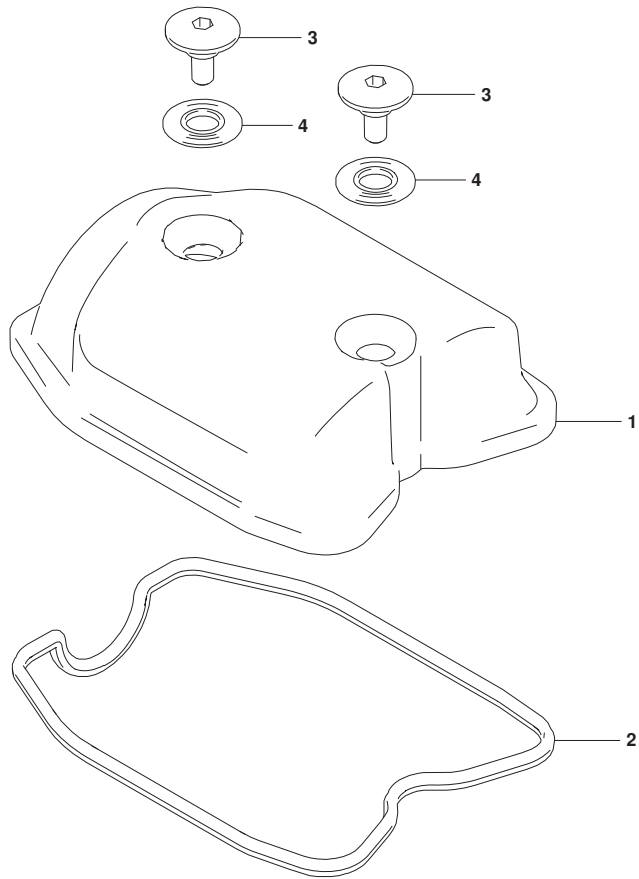


FIG.103A

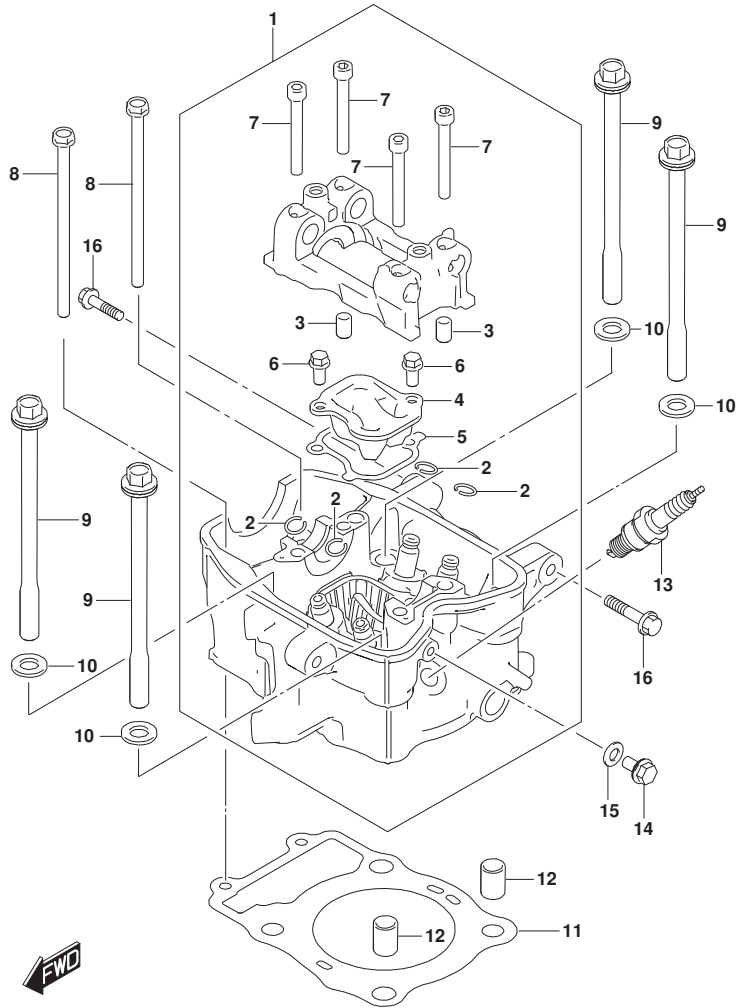


FIG.103A (1-B-3) CYLINDER HEAD

REF NO.	PART NO.	DESCRIPTION	QTY	REMARKS
1	11100-41K00-000	HEAD ASSY,CYLINDER	1	
2	09381-10004-000	.RING,SNAP (10X85)	4	
3	09206-08008-000	.PIN (6.3X8X12)	2	
4	11181-41K00-000	.LID,OIL JACKET	1	
5	11182-41K00-000	.GASKET,OIL JACKET LID	1	
6	01547-0612A-000	.BOLT	2	
7	07130-0650A-000	.BOLT	4	
8	09103-06545-000	BOLT (6X115)	2	
9	09103-10470-000	BOLT (10X145)	4	
10	09160-10164-000	WASHER (10.5X19X2)	4	
11	11141-41K00-000	GASKET,CYLINDER HEAD	1	
12	04211-13189-000	PIN (10.4X13X18)	2	
13	09482-00646-000	PLUG,SPARK (MR8E-9)	1	
14	01550-0612A-000	BOLT	1	
15	09168-06018-000	GASKET (6.2X13X1.2)	1	
16	01550-0820B-000	BOLT	2	

FIG.107A

FIG.107A (1-B-4) CYLINDER

REF NO.	PART NO.	DESCRIPTION	Q'TY	REMARKS
1	11210-41K00-0F0	CYLINDER	1	
2	11241-41K00-000	GASKET,CYLINDER	1	
3	04211-13189-000	PIN (10.4X13X18)	2	
4	13640-41K00-000	SENSOR,ENGINE TEMP	1	

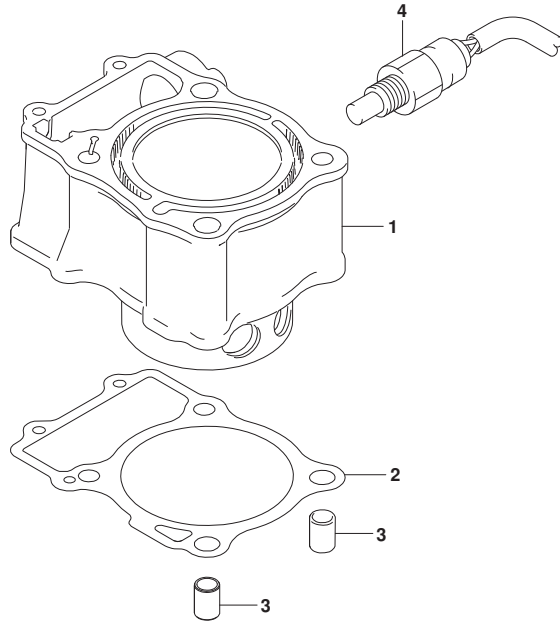


FIG.108A

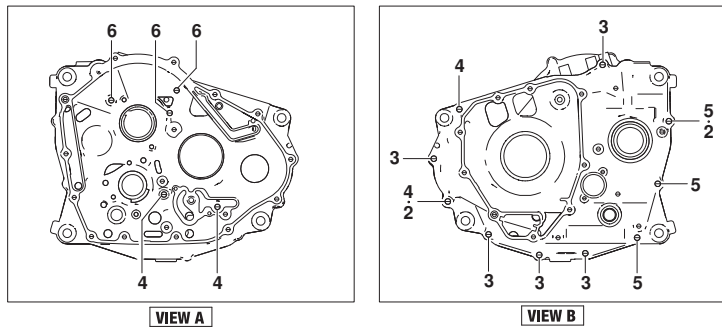


FIG.108A (1-B-5) CRANKCASE

REF NO.	PART NO.	DESCRIPTION	Q'TY	REMARKS
1	11300-41881-000	CRANKCASE SET	1	
2	04211-09149-000	.PIN (8.5X18X2.3)	2	
3	01547-0645A-000	.BOLT	5	
4	01547-0655A-000	.BOLT	4	
5	01547-0665A-000	.BOLT	3	
6	01547-0680A-000	.BOLT	3	
7	11323-41K00-000	SEPARATOR,CRANKCASE OIL	1	
8	01547-0612A-000	BOLT	4	
9	11390-41K00-000	JET,PISTON COOLING	1	
10	01547-0612A-000	BOLT	1	
11	01547-0612A-000	BOLT	1	
12	09168-06004-000	GASKET (6.2X11X1.2)	1	
13	09247-12106-000	PLUG (12X20)	1	
14	09168-12L02-000	GASKET (12.27X16.97X3.56)	1	
15	09103-10077-000	BOLT (10X140)	2	
16	09103-10709-000	BOLT (10X85)	2	
17	08319-3110B-000	NUT	4	

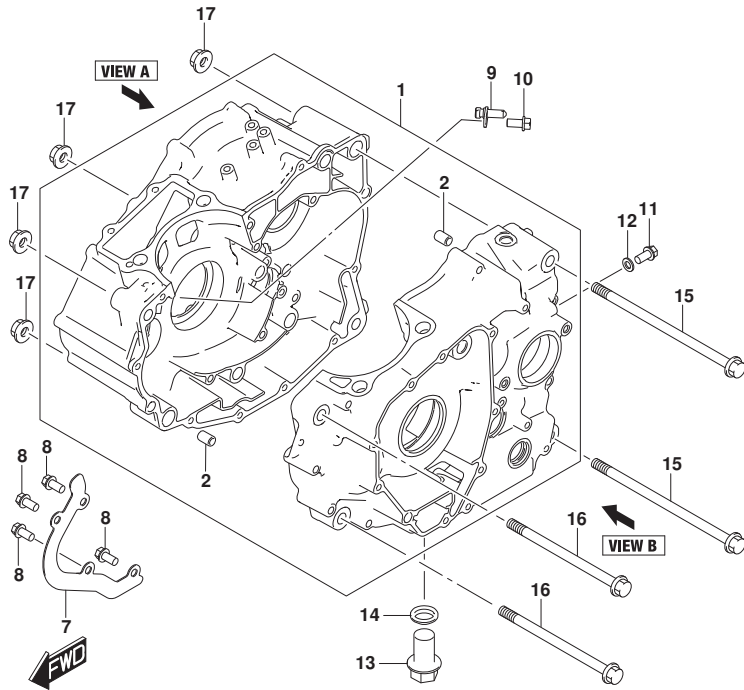


FIG.112A

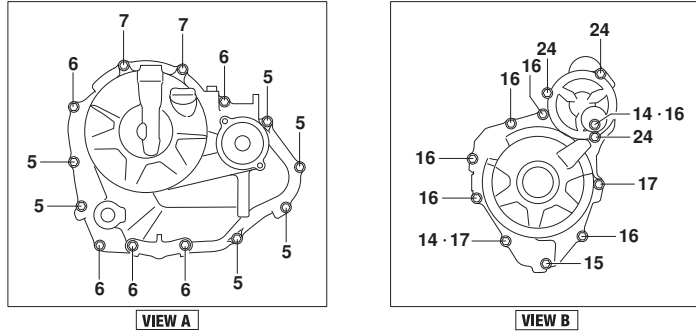


FIG.112A (1-B-6) CRANKCASE COVER

REF NO.	PART NO.	DESCRIPTION	Q'TY	REMARKS
1	11340-41K00-000	COVER,CLUTCH	1	
2	11971-45010-000	.LENS,OIL LEVEL CHECK	1	
3	11482-41K00-000	GASKET,CLUTCH COVER	1	
4	04211-09149-000	PIN (8.5X18X2.3)	2	
5	01547-0625A-000	BOLT	6	
6	01547-0635A-000	BOLT	5	
7	01547-0645A-000	BOLT	2	
8	01550-0812B-000	BOLT	1	
9	09168-08015-000	GASKET (8.2X14X1.6)	1	
10	11971-30H00-000	PLUG,OIL FILLER	1	
11	09280-17003-000	O-RING (D:3.1,ID:16.8)	1	
12	11351-41K00-000	COVER,MAGNETO	1	
13	11483-41K00-000	GASKET,MAGNETO COVER	1	
14	04211-09149-000	PIN (8.5X18X2.3)	2	
15	01547-0625A-000	BOLT	1	
16	01547-0635A-000	BOLT	6	
17	01547-0645A-000	BOLT	2	
18	09259-26035-000	PLUG	1	
19	09280-22008-000	O-RING (D:3.1,ID:22.7)	1	
20	09247-14054-000	PLUG (14X12)	1	
21	09168-14002-000	GASKET (13.8X18.8X4.8)	1	
22	11352-41K00-000	COVER,STARTER IDLE GEAR	1	
23	11353-41K00-000	O-RING	1	
24	01547-0616A-000	BOLT	3	
25	11360-41K00-000	COVER,ENG SPROCKET	1	
26	01547-0625A-000	BOLT	2	

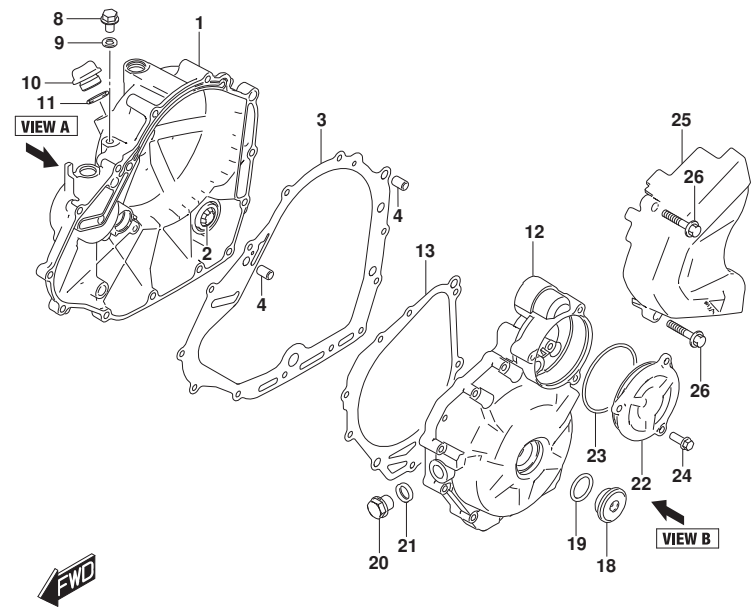


FIG.120A

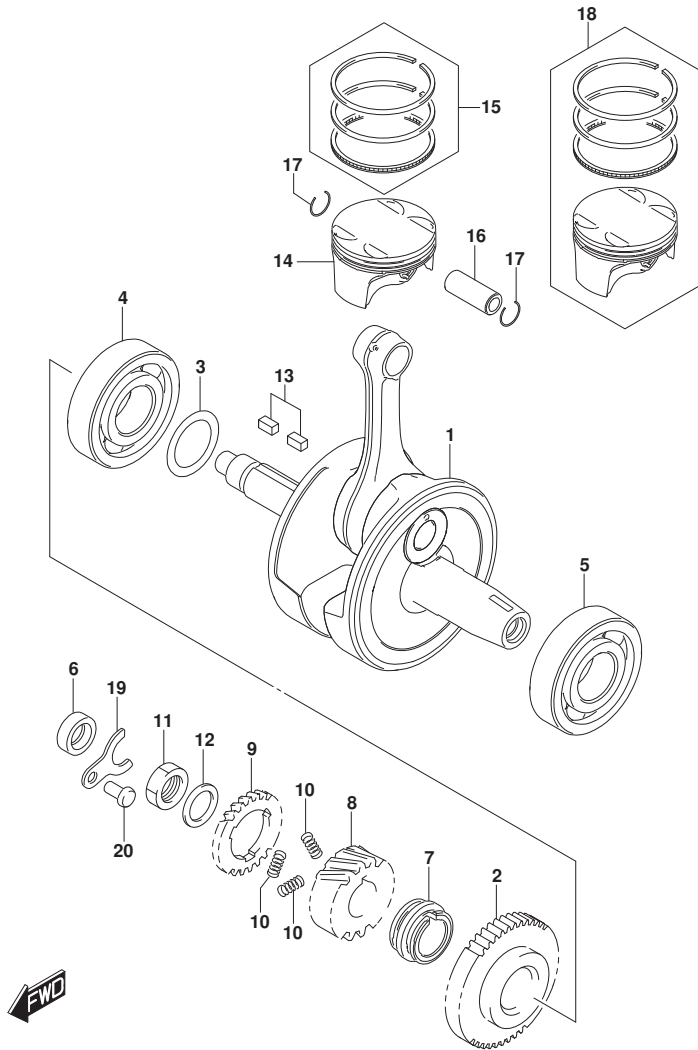


FIG.120A (1-B-7) CRANKSHAFT

REF NO.	PART NO.	DESCRIPTION	Q'TY	REMARKS
1	12200-41K00-000	CRANKSHAFT ASSY	1	
2	12661-41K00-000	GEAR,CRANK BALANCER DRIVE (NT:40)	1	
3-1	09181-28187-000	SHIM (T:0.6)	1	
3-2	09181-28021-000	SHIM (T:0.65)	1	
3-3	09181-28188-000	SHIM (T:0.7)	1	
3-4	09181-28189-000	SHIM (T:0.75)	1	
3-5	09181-28190-000	SHIM (T:0.8)	1	
3-6	09181-28191-000	SHIM (T:0.85)	1	
3-7	09181-28192-000	SHIM (T:0.90)	1	
3-8	09181-28193-000	SHIM (T:0.95)	1	
3-9	09181-28194-000	SHIM (T:1.00)	1	
3-10	09181-28197-000	SHIM (T:1.05)	1	
3-11	09181-28200-000	SHIM (T:1.10)	1	
3-12	09181-28202-000	SHIM (T:1.15)	1	
3-13	09181-28204-000	SHIM (T:1.20)	1	
3-14	09181-28207-000	SHIM (T:1.25)	1	
3-15	09181-28209-000	SHIM (T:1.30)	1	
4	09262-28060-000	BEARING (28X68X18)	1	
5	09262-28061-000	BEARING (28X68X18)	1	
6	09282-12013-000	SEAL,OIL (12X21X7)	1	
7	12731-41K00-000	SPROCKET,CAM CHAIN DRIVE (NT:17)	1	
8	21111-41KA0-000	GEAR,PRIMARY DRIVE (NT:23)	1	
9	21112-41KA0-000	GEAR,PRIMARY DRIVE SCISSORS (NT:23)	1	
10	21114-41K00-000	SPRING,PRI DRIVE GEAR	3	
11	09140-18004-000	NUT (M18)	1	
12	09160-18044-000	WASHER (18X32X2)	1	
13	09421-05011-000	KEY	2	
14	12111-41K10-0F0	PISTON	1	
15	12140-41K20-000	RING SET,PISTON	1	
16	12151-41K00-000	PIN,PISTON	1	
17	09381-17005-000	CIRCLIP (OD:19.8)	2	
18	12100-41K10-050	PISTON SET (OS:0.5)	1	

FIG.120A

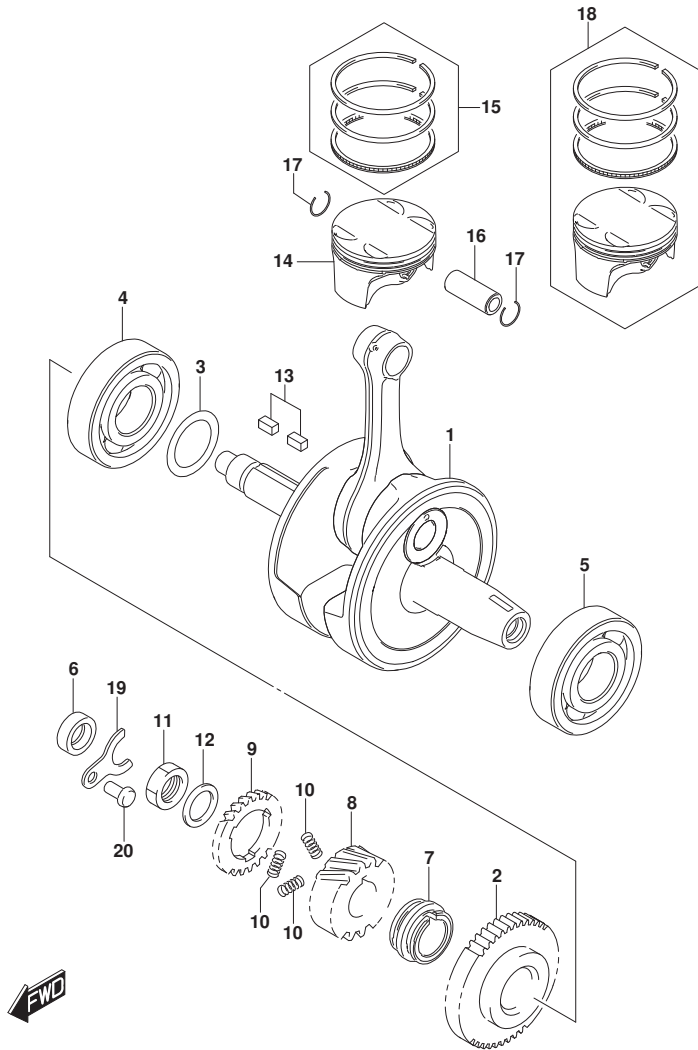


FIG.120A (1-B-8) CRANKSHAFT

REF NO.	PART NO.	DESCRIPTION	Q'TY	REMARKS
19	12541-41K10-000	RETAINER,CRANKSHAFT OIL SEAL,R	1	
20	01547-0612A-000	BOLT	1	

FIG.122A

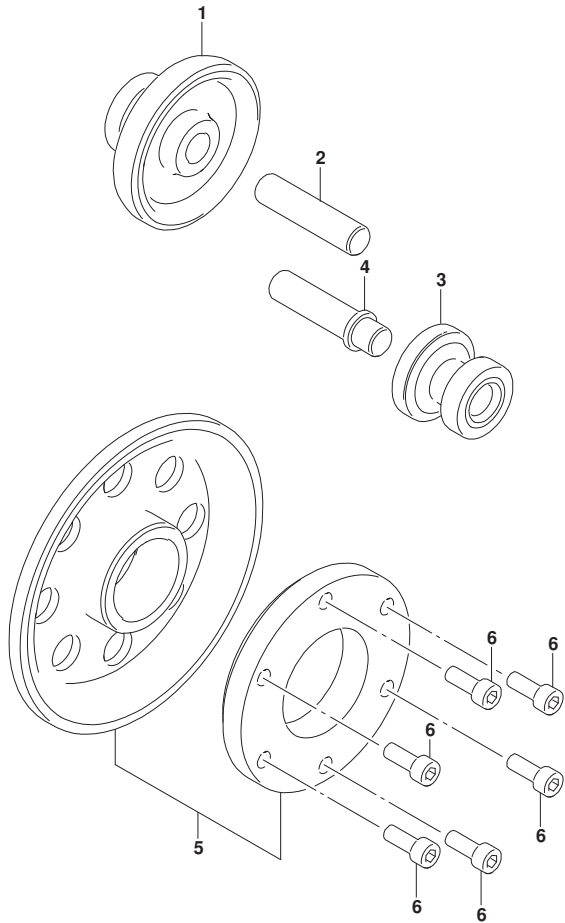


FIG.122A (1-B-9) STARTER CLUTCH

REF NO.	PART NO.	DESCRIPTION	Q'TY	REMARKS
1	12611-41K00-000	GEAR,STARTER IDLE NO.1 (NT:13/ 65)	1	
2	09202-12003-000	PIN (12X50.5)	1	
3	12612-41K00-000	GEAR,STARTER IDLE NO.2 (NT:12/ 16)	1	
4	12616-41K00-000	SHAFT,STARTER IDLE GEAR NO.2	1	
5	12600-41870-000	CLUTCH SET,STARTER (NT:61)	1	
6	07130-0616A-000	BOLT (6X16)	6	

FIG.126A

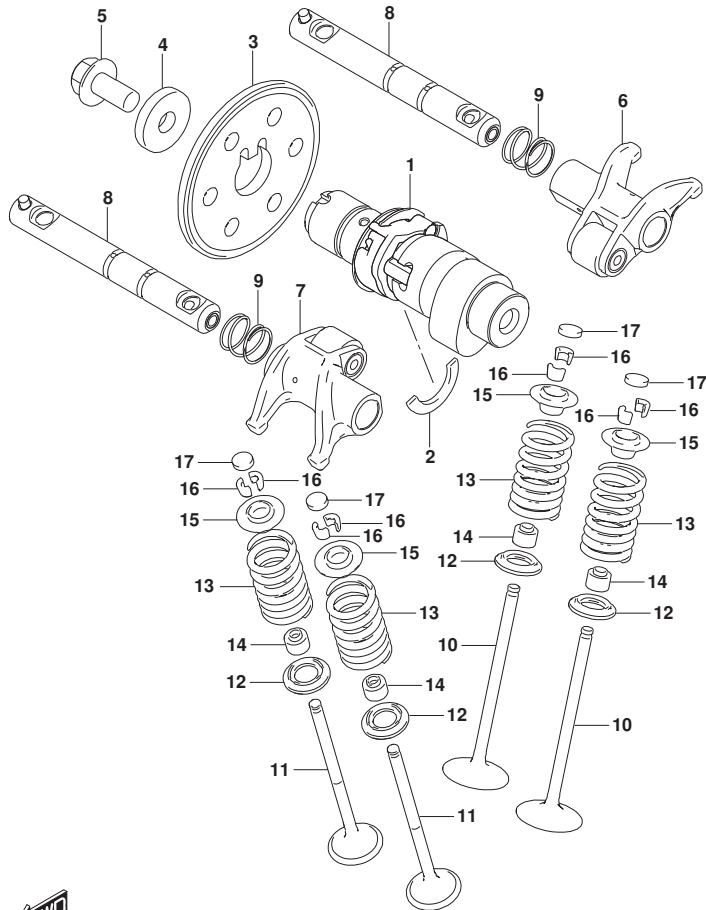


FIG.126A (1-B-11) CAMSHAFT/VALVE

REF NO.	PART NO.	DESCRIPTION	Q'TY	REMARKS
1	12710-41K10-000	CAMSHAFT ASSY	1	
2	09390-22002-000	C-RING	1	
3	12741-41K00-000	SPROCKET,CAMSHAFT (NT:34)	1	
4	09160-08176-000	WASHER (8X23X4)	1	
5	12742-41K00-000	BOLT,SPROCKET	1	
6	12841-41K00-000	ARM,VALVE ROCKER INTAKE	1	
7	12851-41K00-000	ARM,VALVE ROCKER EXHAUST	1	
8	12860-41K00-000	SHAFT,VALVE ROCKER ARM	2	
9	12867-41K00-000	SPRING,VALVE ROCKER ARM	2	
10	12911-41K00-000	VALVE,INTAKE	2	
11	12912-41K00-000	VALVE,EXHAUST	2	
12	12933-09G00-000	SEAT,VALVE SPRING	4	
13	12921-41K00-000	SPRING,VALVE	4	
14	09289-05019-000	SEAL,OIL (4X10X8)	4	
15	12931-41K00-000	RETAINER,VALVE SPRING	4	
16	12932-09G10-000	COTTER VALVE (NT:23)	8	
17-1	12892-35G00-150	SHIM,TAPPET (T:1.50)	4	
17-2	12892-35G00-152	SHIM,TAPPET (T:1.52)	4	
17-3	12892-35G00-155	SHIM,TAPPET (T:1.55)	4	
17-4	12892-35G00-158	SHIM,TAPPET (T:1.58)	4	
17-5	12892-35G00-160	SHIM,TAPPET (T:1.60)	4	
17-6	12892-35G00-162	SHIM,TAPPET (T:1.62)	4	
17-7	12892-35G00-165	SHIM,TAPPET (T:1.65)	4	
17-8	12892-35G00-168	SHIM,TAPPET (T:1.68)	4	
17-9	12892-35G00-170	SHIM,TAPPET (T:1.70)	4	
17-10	12892-35G00-172	SHIM,TAPPET (T:1.72)	4	
17-11	12892-35G00-175	SHIM,TAPPET (T:1.75)	4	
17-12	12892-35G00-178	SHIM,TAPPET (T:1.78)	4	
17-13	12892-35G00-180	SHIM,TAPPET (T:1.80)	4	
17-14	12892-35G00-182	SHIM,TAPPET (T:1.82)	4	
17-15	12892-35G00-185	SHIM,TAPPET (T:1.85)	4	
17-16	12892-35G00-188	SHIM,TAPPET (T:1.88)	4	
17-17	12892-35G00-190	SHIM,TAPPET (T:1.90)	4	
17-18	12892-35G00-192	SHIM,TAPPET (T:1.92)	4	
17-19	12892-35G00-195	SHIM,TAPPET (T:1.95)	4	

FIG.126A

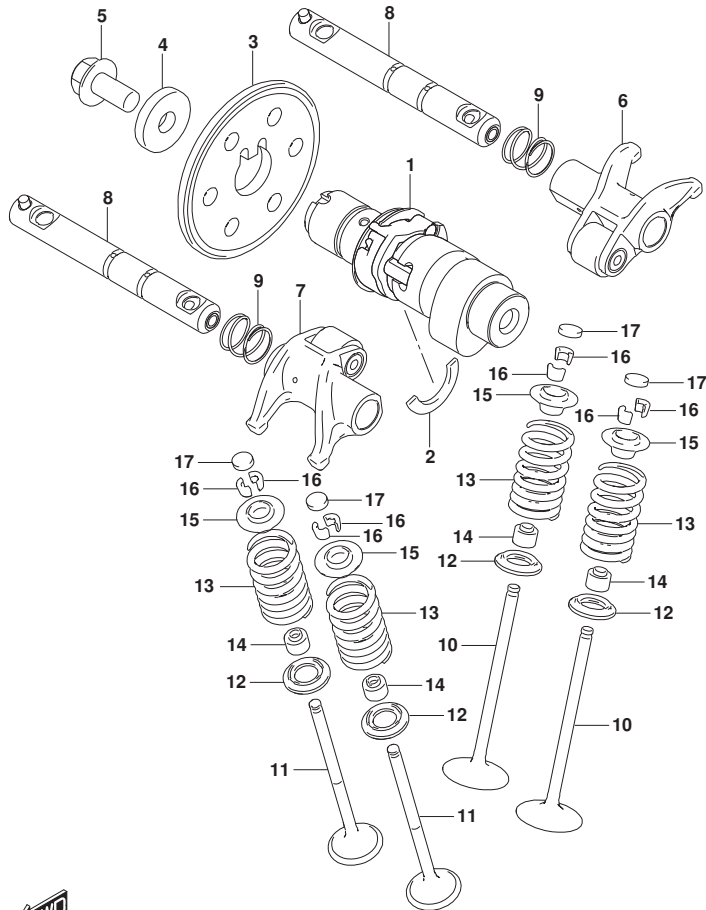


FIG.126A (1-B-12) CAMSHAFT/VALVE

REF NO.	PART NO.	DESCRIPTION	Q'TY	REMARKS
17-20	12892-35G00-198	SHIM,TAPPET (T:1.98)	4	
17-21	12892-35G00-200	SHIM,TAPPET (T:2.00)	4	
17-22	12892-35G00-202	SHIM,TAPPET (T:2.02)	4	
17-23	12892-35G00-205	SHIM,TAPPET (T:2.05)	4	
17-24	12892-35G00-208	SHIM,TAPPET (T:2.08)	4	
17-25	12892-35G00-210	SHIM,TAPPET (T:2.10)	4	
17-26	12892-35G00-212	SHIM,TAPPET (T:2.12)	4	
17-27	12892-35G00-215	SHIM,TAPPET (T:2.15)	4	
17-28	12892-35G00-218	SHIM,TAPPET (T:2.18)	4	
17-29	12892-35G00-220	SHIM,TAPPET (T:2.20)	4	
17-30	12892-35G00-222	SHIM,TAPPET (T:2.22)	4	
17-31	12892-35G00-225	SHIM,TAPPET (T:2.25)	4	
17-32	12892-35G00-228	SHIM,TAPPET (T:2.28)	4	
17-33	12892-41C00-230	SHIM,TAPPET (T:2.30)	4	
17-34	12892-41C00-232	SHIM,TAPPET (T:2.32)	4	
17-35	12892-41C00-235	SHIM,TAPPET (T:2.35)	4	
17-36	12892-41C00-238	SHIM,TAPPET (T:2.38)	4	
17-37	12892-41C00-240	SHIM,TAPPET (T:2.40)	4	
17-38	12892-41C00-242	SHIM,TAPPET (T:2.42)	4	
17-39	12892-41C00-245	SHIM,TAPPET (T:2.45)	4	
17-40	12892-41C00-248	SHIM,TAPPET (T:2.48)	4	
17-41	12892-41C00-250	SHIM,TAPPET (T:2.50)	4	
17-42	12892-41C00-252	SHIM,TAPPET (T:2.52)	4	
17-43	12892-41C00-255	SHIM,TAPPET (T:2.55)	4	
17-44	12892-41C00-258	SHIM,TAPPET (T:2.58)	4	
17-45	12892-41C00-260	SHIM,TAPPET (T:2.60)	4	
17-46	12892-41C00-262	SHIM,TAPPET (T:2.62)	4	
17-47	12892-41C00-265	SHIM,TAPPET (T:2.65)	4	
17-48	12892-41C00-268	SHIM,TAPPET (T:2.68)	4	
17-49	12892-41C00-270	SHIM,TAPPET (T:2.70)	4	
17-50	12892-41C00-272	SHIM,TAPPET (T:2.72)	4	
17-51	12892-41C00-275	SHIM,TAPPET (T:2.75)	4	
17-52	12892-41C00-278	SHIM,TAPPET (T:2.78)	4	
17-53	12892-41C00-280	SHIM,TAPPET (T:2.80)	4	
17-54	12892-41C00-282	SHIM,TAPPET (T:2.82)	4	

FIG.126A

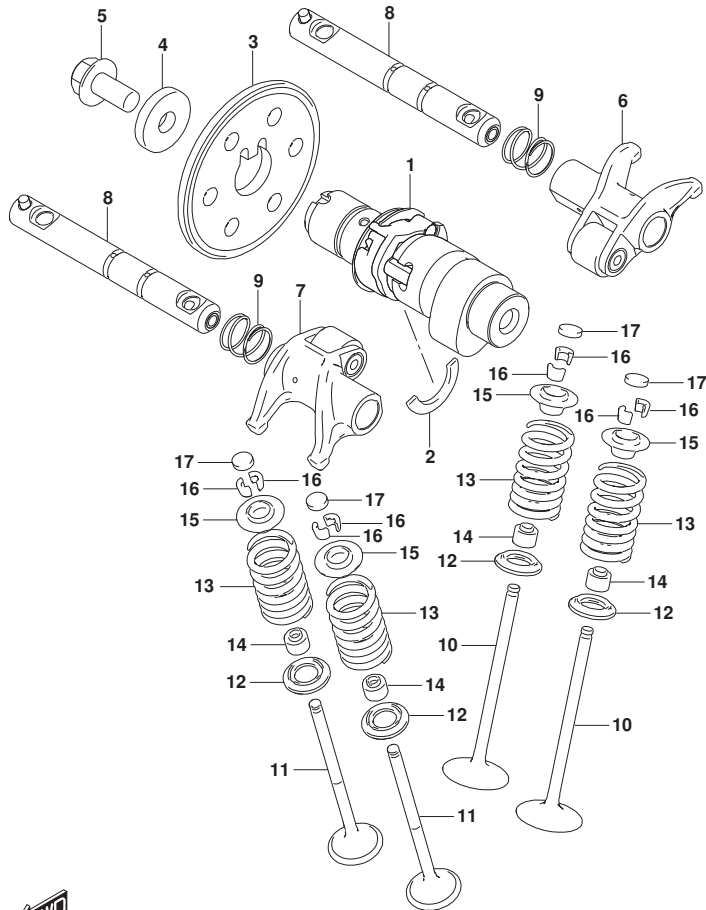


FIG.126A (1-B-13) CAMSHAFT/VALVE

REF NO.	PART NO.	DESCRIPTION	Q'TY	REMARKS
17-55	12892-41C00-285	SHIM,TAPPET (T:2.85)	4	
17-56	12892-41C00-288	SHIM,TAPPET (T:2.88)	4	
17-57	12892-41C00-290	SHIM,TAPPET (T:2.90)	4	
17-58	12892-41C00-292	SHIM,TAPPET (T:2.92)	4	
17-59	12892-41C00-295	SHIM,TAPPET (T:2.95)	4	
17-60	12892-41C00-298	SHIM,TAPPET (T:2.98)	4	
17-61	12892-41C00-300	SHIM,TAPPET (T:3.00)	4	
18	12800-35820-000	SHIM SET,TAPPET (5PCS. EACH)	1	OPT,NOT ILLUSTRATED
19	99000-69471-000	.CASE,TAPPET SHIM	1	

FIG.127A

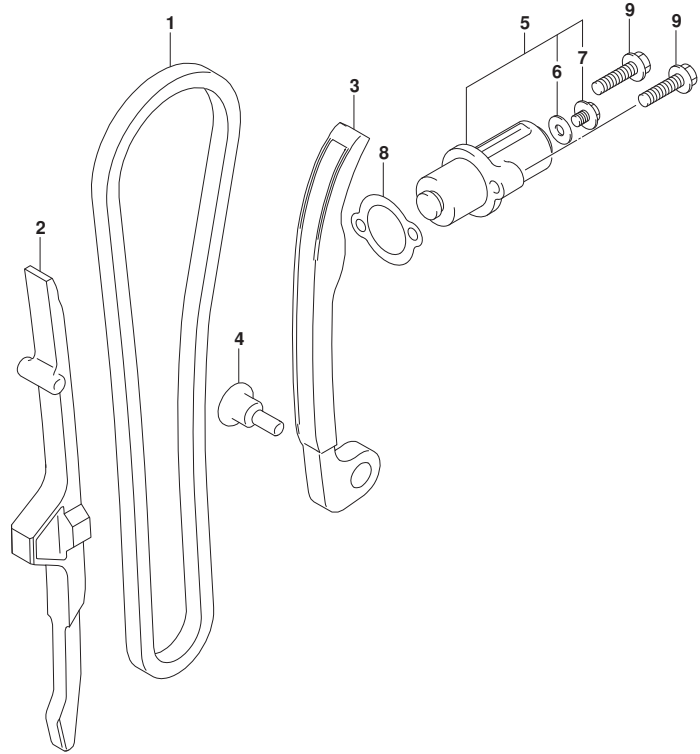


FIG.127A (1-B-14) CAM CHAIN

REF NO.	PART NO.	DESCRIPTION	Q'TY	REMARKS
1	12760-41K00-000	CHAIN,CAMSHAFT DRIVE	1	
2	12771-41K00-000	GUIDE,CAM CHAIN	1	
3	12811-41K00-000	TENSIONER,CAM CHAIN	1	
4-1	12812-35C00-000	BOLT,CAM CHAIN TENSIONER	1	
4-2	12812-41K10-000	BOLT,CAM CHAIN TENSIONER	1	
5	12830-41K00-000	ADJUSTER ASSY,TENSIONER	1	
6	12835-41K00-000	.WASHER,ADJUSTER END	1	
7	12836-41K00-000	.BOLT,ADJUSTER END	1	
8	12837-24A30-000	GASKET,TENSIONER ADJUSTER	1	
9	01547-0625B-000	BOLT	2	

FIG.140A

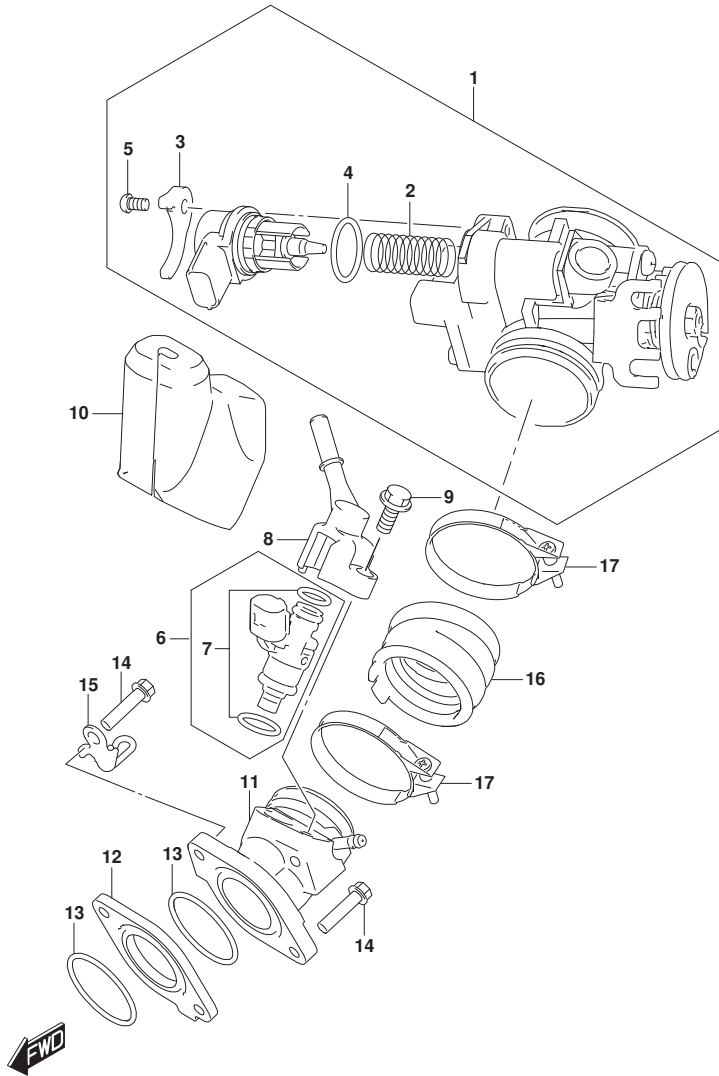


FIG.140A (1-B-15) THROTTLE BODY

REF NO.	PART NO.	DESCRIPTION	Q'TY	REMARKS
1	13400-41K00-000	BODY ASSY,THROTTLE	1	
2	13417-09JA0-000	.SPRING	1	
3	13421-42J00-000	.PLATE	1	
4	13438-09JA0-000	.O-RING	1	
5	13602-06128-000	.SCREW	1	
6	15710-41K00-000	INJECTOR,ASSY FUEL	1	
7	15720-41820-000	.O-RING & GROMMET SET	1	
8	15830-41K00-000	JOINT,FUEL HOSE	1	
9	01547-0620A-000	BOLT	1	
10	15719-41K00-000	COVER,FUEL INJECTOR	1	
11	13110-41K00-000	PIPE,INTAKE NO.1	1	
12	13128-41K00-000	INSULATOR,INTAKE PIPE	1	
13	09280-40021-000	O-RING (D:2.4,ID:39.7)	2	
14	01547-0625A-000	BOLT	2	
15	18570-41K00-000	GUIDE,LEAD WIRE	1	
16	13121-41K00-000	PIPE,INTAKE NO.2	1	
17	13170-41K00-000	CLAMP,INTAKE PIPE	2	

FIG.155A

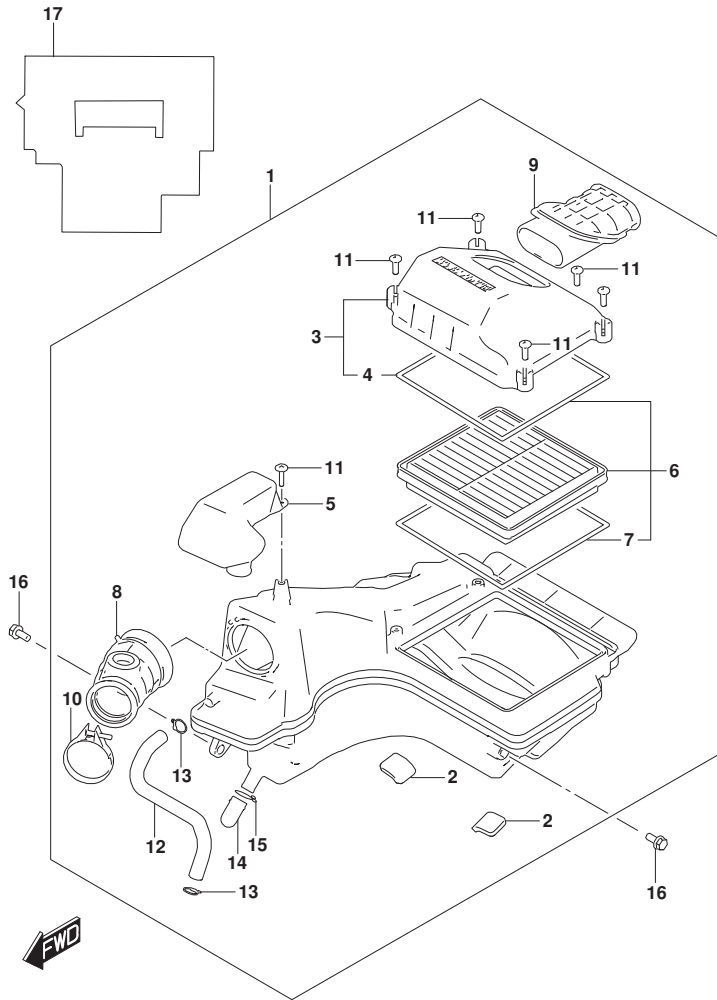


FIG.155A (1-B-16) AIR CLEANER

REF NO.	PART NO.	DESCRIPTION	Q'TY	REMARKS
1	13700-41K20-000	CLEANERASSY,AIR	1	
2	13725-41K00-000	.CUSHION,CASE	2	
3	13740-41K00-000	.CAP,AIR CLEANER	1	
4	13746-41K00-000	.GASKET	1	
5	13761-41K00-000	.RESONATOR	1	
6	13700-41810-000	AIR FILTER KIT	1	
7	13746-41K00-000	.GASKET	1	
8	13881-41K00-000	.TUBE,OUTLET	1	
9	13891-41K00-000	.TUBE,INLET	1	
10	13826-41K00-000	.CLAMP	1	
11	03541-0520A-000	.SCREW	6	
12	13853-41K00-000	.TUBE,BREATHER	1	
13	09401-12418-000	.CLIP	2	
14	13859-41B10-000	.PLUG	1	
15	09401-14101-000	.CLIP (ID:14.5)	1	
16	01580-0616A-000	BOLT	2	
17	13841-20L00-000	SHEET,AIR CLEANER INLET	1	

FIG.163A

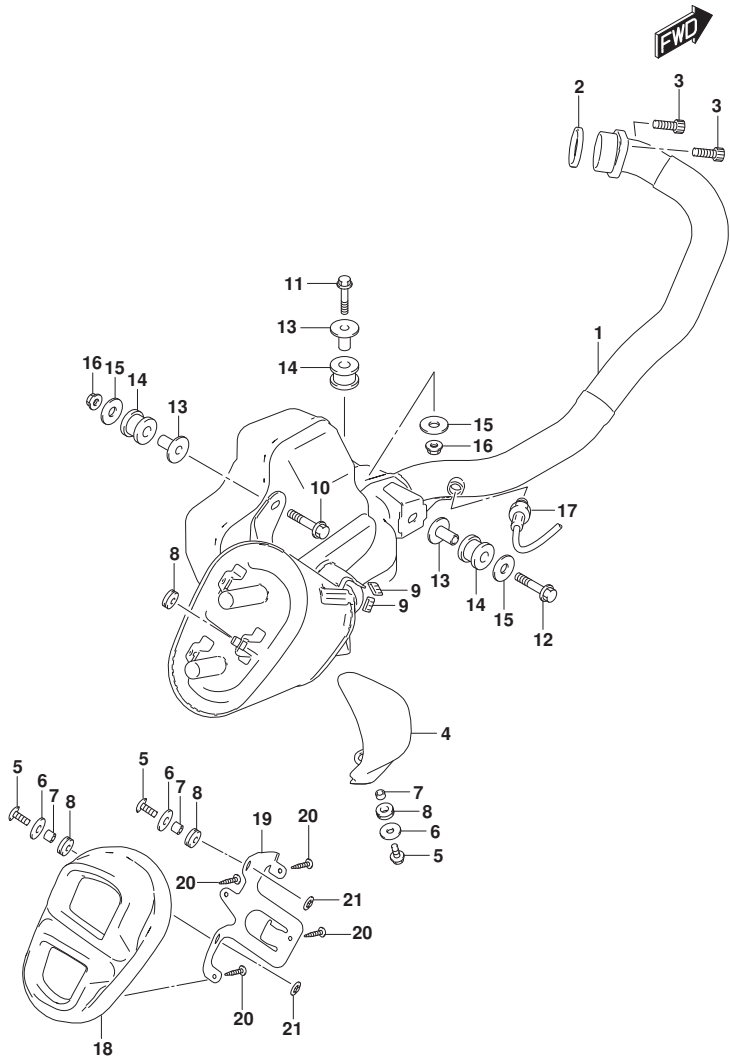


FIG.163A (1-C-2) MUFFLER

REF NO.	PART NO.	DESCRIPTION	Q'TY	REMARKS
1	14310-41K02-000	BODY,MUFFLER	1	
2	14181-14D10-000	GASKET,EXHAUST PIPE (NA)	1	
3	07130-0825A-000	BOLT	2	
4	14780-20L00-000	COVER,MUFFLER	1	
5	09139-06194-000	SCREW (6X16)	3	
6	09160-06156-000	WASHER (6.5X18X1.6)	3	
7	09180-06256-000	SPACER (6.5X9X5.7)	3	
8	09320-08504-000	CUSHION (8.4X18X6)	4	
9	14795-10FA0-000	GROMMET	2	
10	01550-0845B-000	BOLT	1	
11	01550-0845B-000	BOLT	1	
12	09103-08558-000	BOLT (8X40)	1	
13	09180-10164-000	SPACER (10.5X30X25.3)	3	
14	09320-14027-000	CUSHION (14X30X24)	3	
15	09160-08174-000	WASHER (8.5X30X1.6)	3	
16	08319-3108A-000	NUT	2	
17	18213-41K01-000	SENSOR,OXYGEN	1	
18	14791-20L00-000	COVER,MUF RR	1	
19	14761-20L00-000	STAY,MUF RR COV	1	
20	03241-0412B-000	SCREW	4	
21	09148-05083-000	NUT,PUSH	2	

FIG.170A

FIG.170A (1-C-3) OIL PUMP

REF NO.	PART NO.	DESCRIPTION	Q'TY	REMARKS
1	16400-41K00-000	PUMP ASSY,ENGINE OIL	1	
2	16331-41K11-000	GEAR,OIL PUMP DRIVEN (NT:35)	1	
3	16421-41K00-000	PIN,OIL PUMP DRIVEN GEAR (4X29.8)	1	
4	09181-10158-000	SHIM (10X18X0.5)	2	
5	08331-31109-000	CIRCLIP	1	
6	09280-09013-000	O-RING (D:1.9,ID:8.6)	1	
7	04211-09149-000	PIN (8.5X18X2.3)	1	
8	16413-41K00-000	COVER,OIL PUMP	1	
9	01547-0625A-000	BOLT	1	
10	01547-0645A-000	BOLT	2	
11	16520-09440-000	STRAINER,ENGINE OIL	1	
12	16510-33G10-000	FILTER,ENGINE OIL	1	
13	09280-13010-000	O-RING (D:1.9,ID:12.5)	1	
14	16512-23J20-000	CAP,OIL FILTER	1	
15	09280-54001-000	O-RING (D:2.4,ID:52.6)	1	
16	16519-09J10-000	SPRING,OIL FILTER	1	
17	01547-0620A-000	BOLT	2	

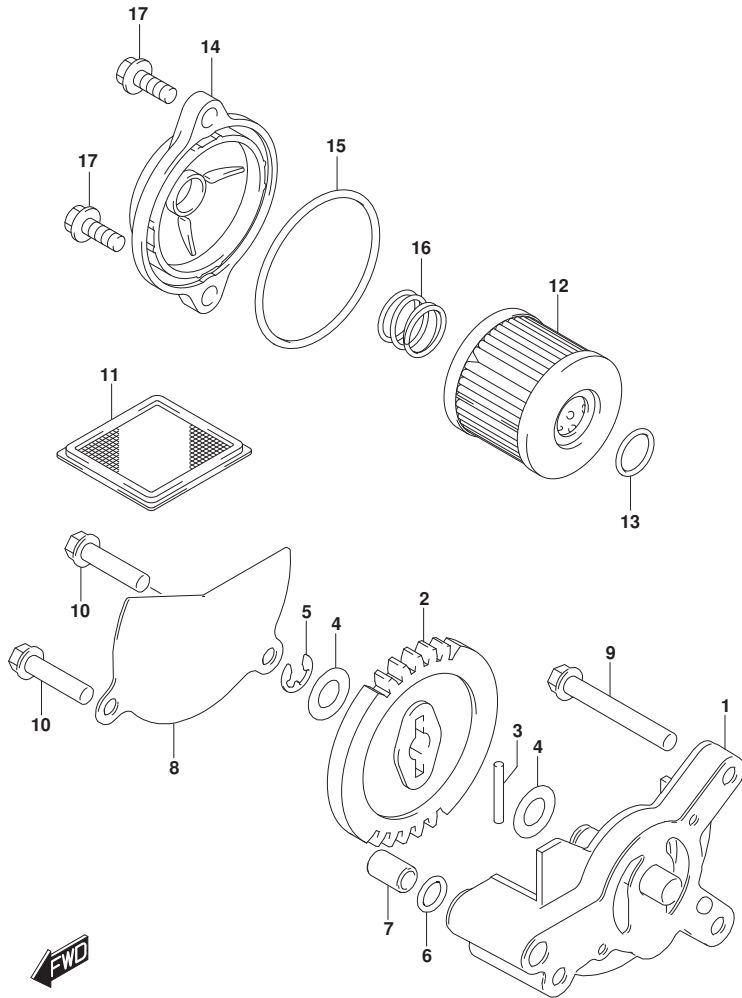


FIG.178A

FIG.178A (1-C-5) OIL COOLER

REF NO.	PART NO.	DESCRIPTION	Q'TY	REMARKS
1	16600-41K00-000	COOLER ASSY,OIL	1	
2	17802-41K00-000	.NUT	3	
3	16800-41K00-000	FAN ASSY,OIL COOLER	1	
4	09116-06111-000	BOLT (6X20)	2	
5	09180-06310-000	SPACER (6.5X10X10)	2	
6	09320-10015-000	CUSHION (10X20X10)	2	
7	16460-41K00-000	HOSE,OIL COOLER INLET	1	
8	16470-41K00-000	HOSE,OIL COOLER OUTLET	1	
9	09168-16002-000	GASKET (16X22X2)	8	
10	09360-14016-000	BOLT	1	
11	09360-16002-000	UNION (16X32)	3	
12	01550-0612A-000	BOLT	3	
13	16650-20L00-000	GUARD,OIL COOLER	1	

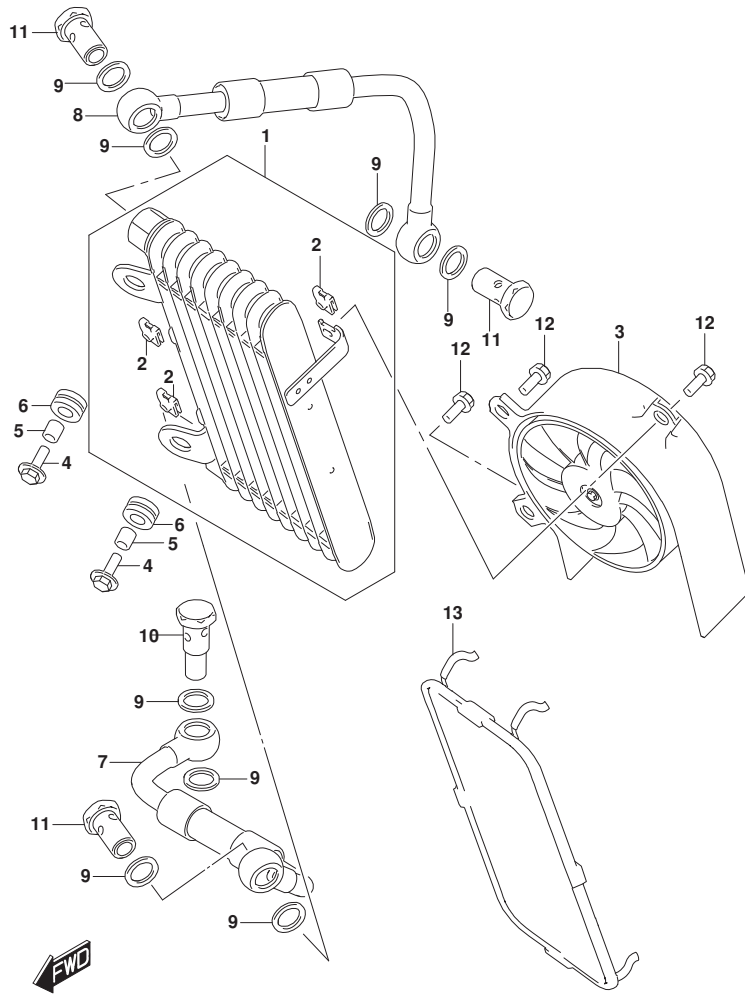


FIG.201A

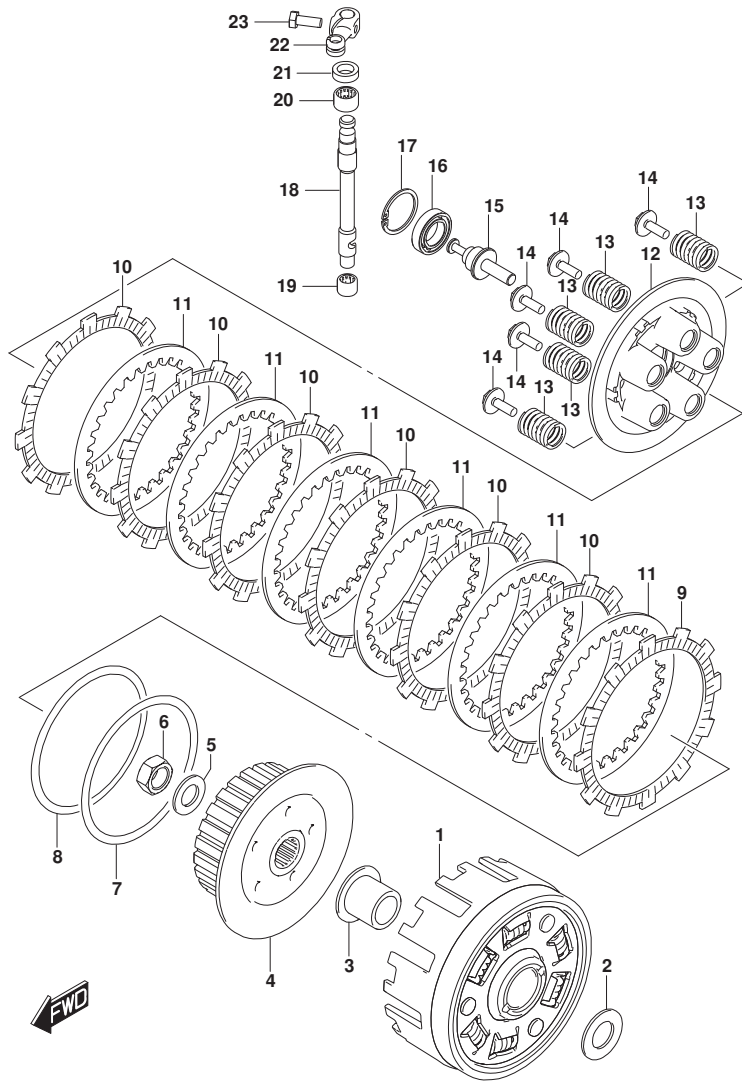


FIG.201A (1-C-6) CLUTCH

REF NO.	PART NO.	DESCRIPTION	Q'TY	REMARKS
1	21200-41KA0-000	GEAR ASSY,PRIMARY DRIVEN (NT:7 1)	1	
2	08211-20363-000	WASHER	1	
3	21251-41K10-000	SPACER,PRIMARY DRIVEN GEAR	1	
4	21411-41K00-000	HUB,CLUTCH SLEEVE	1	
5	08211-16283-000	WASHER	1	
6	09140-16038-000	NUT	1	
7	21471-41K00-000	SEAT,WAVE WASHER	1	
8	21472-41K00-000	WASHER,CLUTCH PLATE WAVE	1	
9	21442-41K00-000	PLATE,CLUTCH DRIVE NO.2 (T:3.0)	1	
10	21441-41K00-000	PLATE,CLUTCH DRIVE NO.1 (T:3.0)	6	
11	21451-41K00-000	PLATE,CLUTCH DRIVEN (T:1.6)	6	
12	21462-41K00-000	DISC,CLUTCH PRESSURE	1	
13	21481-41K01-000	SPRING,CLUTCH	5	
14	21482-41K00-000	BOLT,CLUTCH SPRING	5	
15	23121-41K00-000	PIECE,CLUTCH PULL	1	
16	08110-69030-000	BEARING	1	
17	08331-41309-000	CIRCLIP	1	
18	23122-41K00-000	CAMSHAFT,CLUTCH RELEASE	1	
19	09263-09002-000	BEARING (9X13X10)	1	
20	09263-12030-000	BEARING (12X16X10)	1	
21	09285-11001-000	SEAL,OIL (11X17X5)	1	
22	23271-41K00-000	ARM,CLUTCH RELEASE	1	
23	01500-0616B-000	BOLT	1	

FIG.206A

FIG.206A (1-C-7) TRANSMISSION

REF NO.	PART NO.	DESCRIPTION	Q'TY	REMARKS
1	24121-41KA0-000	SHAFT,COUNTER (NT:12)	1	
2	24221-41KA0-000	GEAR,2ND DRIVE (NT:16)	1	
3	24231-41KA0-000	GEAR,3RD & 4TH DRIVE (NT:18)	1	
4	24261-41KA0-000	GEAR,6TH DRIVE (NT:23)	1	
5	24252-41KA0-000	BUSH,5TH DRIVE GEAR	1	
6	24251-41KA0-000	GEAR,5TH DRIVE (NT:22)	1	
7	24130-41KA0-000	SHAFT,DRIVE	1	
8	24311-41KA0-000	GEAR,1ST DRIVEN (NT:30)	1	
9	09263-17060-000	BEARING (22X29X16.8)	1	
10	24321-41KA0-000	GEAR,2ND DRIVEN (NT:27)	1	
11	24331-41KA0-000	GEAR,3RD DRIVEN (NT:25)	1	
12	24341-41KA0-000	GEAR,4TH DRIVEN (NT:20)	1	
13	24361-41KA0-000	GEAR,6TH DRIVEN (NT:19)	1	
14	24351-41KA0-000	GEAR,5TH DRIVEN (NT:21)	1	
15	09262-17055-000	BEARING (17X14X12)	1	
16	08112-63040-000	BEARING	1	
17	09262-25189-000	BEARING (25X52X15)	1	
18	08110-62030-000	BEARING	1	
19	09380-22018-000	CIRCLIP	4	
20	09160-22088-000	WASHER (22X30X1)	1	
21	09160-17063-000	WASHER (17X26X1)	2	
22	09380-25016-000	CIRCLIP	1	
23	09283-34016-000	SEAL,OIL (34X46X8)	1	
24	24751-41K00-000	RETAINER,DRIVE SHAFT OIL SEAL	1	
25	01500-0610A-000	BOLT	2	
26	24741-20A10-000	RETAINER,SHIFT CAM,R BEARING	2	
27	02112-0612A-000	SCREW	2	
28	09280-24008-000	O-RING (D:2.5,ID:23.8)	1	
29	27531-41K00-000	SPACER,ENGINE SPROCKET	1	
30	27511-41K00-000	SPROCKET,ENGINE (NT:13)	1	
31	09167-25019-000	WASHER,LOCK (25.3X41.6X1.0)	1	
32	09140-20022-000	NUT	1	
33	27610-41K00-114	CHAIN ASSY,DRIVE (DID520VF3)	1	
34	27620-41K00-000	.JOINT SET,CHAIN	1	

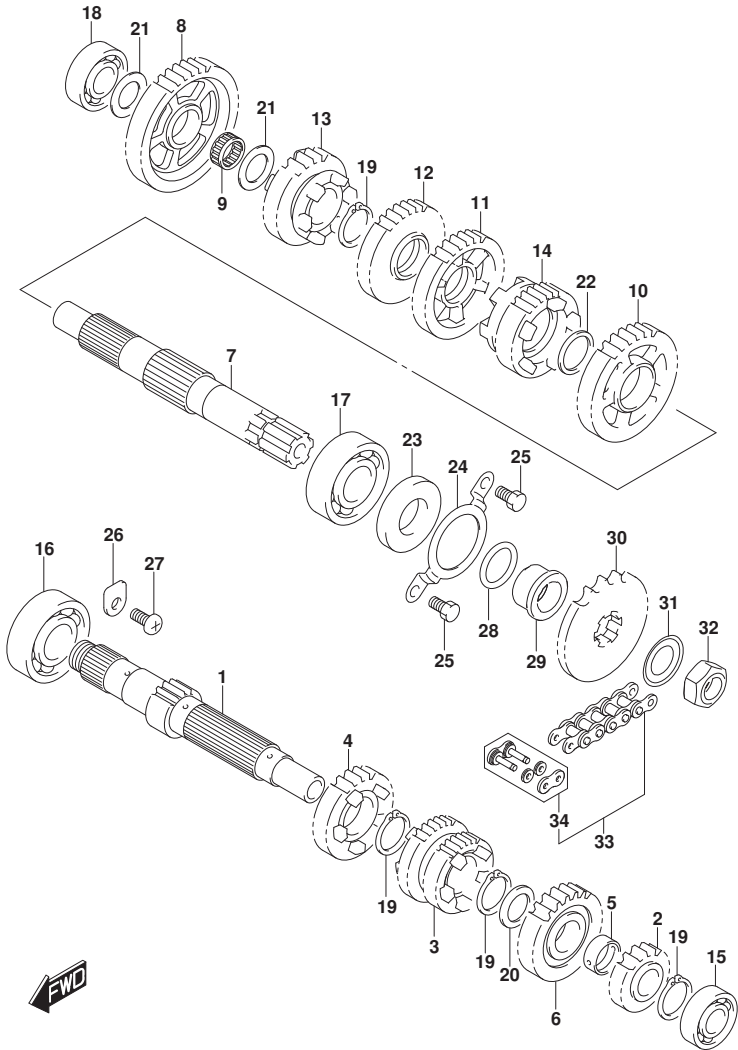


FIG.212A

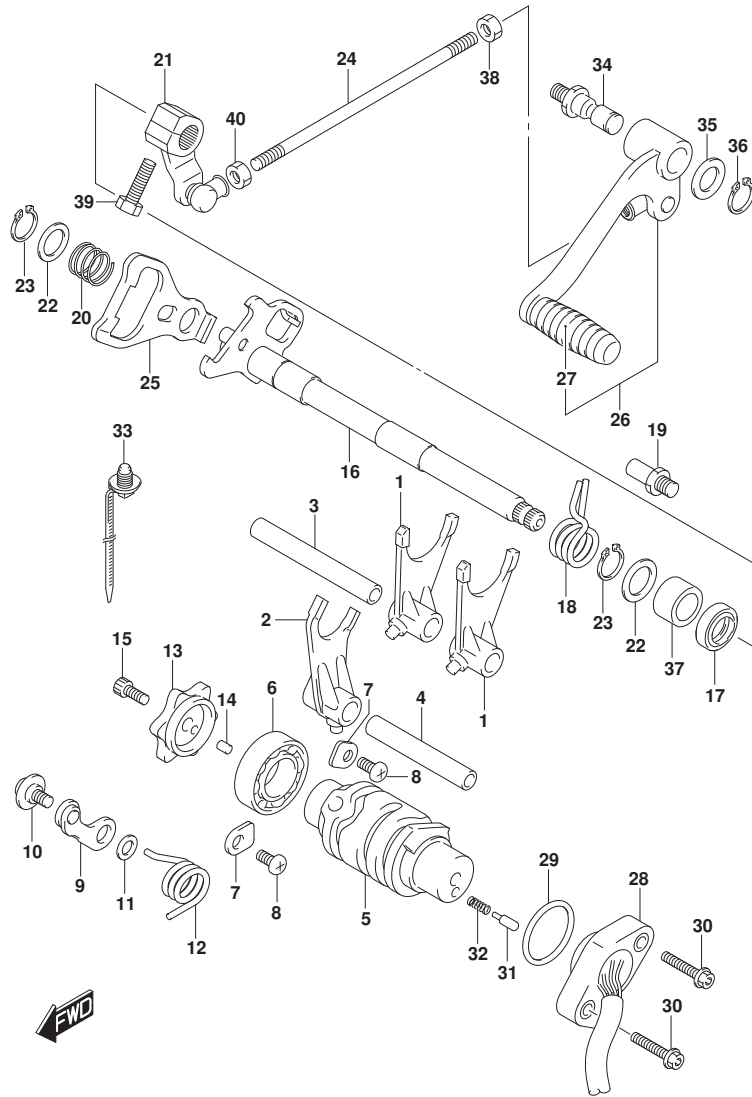


FIG.212A (1-C-8) GEAR SHIFTING

REF NO.	PART NO.	DESCRIPTION	Q'TY	REMARKS
1	25211-14D10-000	FORK,GEAR SHIFT NO.1	2	
2	25231-14D10-000	FORK,GEAR SHIFT NO.3	1	
3	25411-48H00-000	SHAFT,GEAR SHIFT FORK NO.1	1	
4	25421-14D10-000	SHAFT,GEAR SHIFT FORK NO.2	1	
5	25311-41K00-000	CAM,GEAR SHIFT	1	
6	08110-6905A-000	BEARING	1	
7	24741-20A10-000	RETAINER,SHIFT CAM,R BEARING	2	
8	02112-0612A-000	SCREW	2	
9	25350-34J20-000	STOPPER,GEAR SHIFT CAM	1	
10	25357-34J00-000	BOLT (6X14.3)	1	
11	08211-06121-000	WASHER	1	
12	25355-34J10-000	SPRING,GEAR SHIFT CAM STOPPER	1	
13	25381-34J00-000	PLATE,GEAR SHIFT CAM	1	
14	04221-04089-000	PIN (4X13.8)	1	
15	07130-0616A-000	BOLT (6X16)	1	
16	25510-41K00-000	SHAFT,GEAR SHIFT	1	
17	09283-14005-000	SEAL,OIL (14X22X7.3)	1	
18	25518-41K00-000	SPRING,SHIFT SHAFT RETURN	1	
19	25671-28G00-000	STOPPER,GEAR SHIFT ARM	1	
20	25518-41K00-000	SPRING,SHIFT SHAFT RETURN	1	
21	25520-41K11-000	ARM,GEAR SHIFT LINK	1	
22	09181-14167-000	SHIM (14X22X1.0)	2	
23	08331-31149-000	CIRCLIP	2	
24	25525-20L00-000	ROD,GEAR SHIFT LINK	1	
25	25512-28G10-000	PLATE,GEAR SHIFT CAM DRIVE	1	
26	25600-41K10-000	LEVER ASSY,GEAR SHIFT	1	
27	25652-05J00-000	,RUBBER,GEAR SHIFT LEVER	1	
28	37720-41K01-000	BASE ASSY,GEAR SHIFT TERM	1	
29	09280-26005-000	O-RING (D:2.4, ID:26.2)	1	
30	07120-0520A-000	BOLT	2	
31	09209-05011-000	PIN (5X15.5)	2	
32	09440-04010-000	SPRING	2	
33	09407-15L01-000	CLAMP (L:170)	1	
34	25617-03F20-000	SHAFT,GEAR SHIFT LEVER	1	
35	09160-12011-000	WASHER (12.5X20X1.0)	1	

FIG.212A

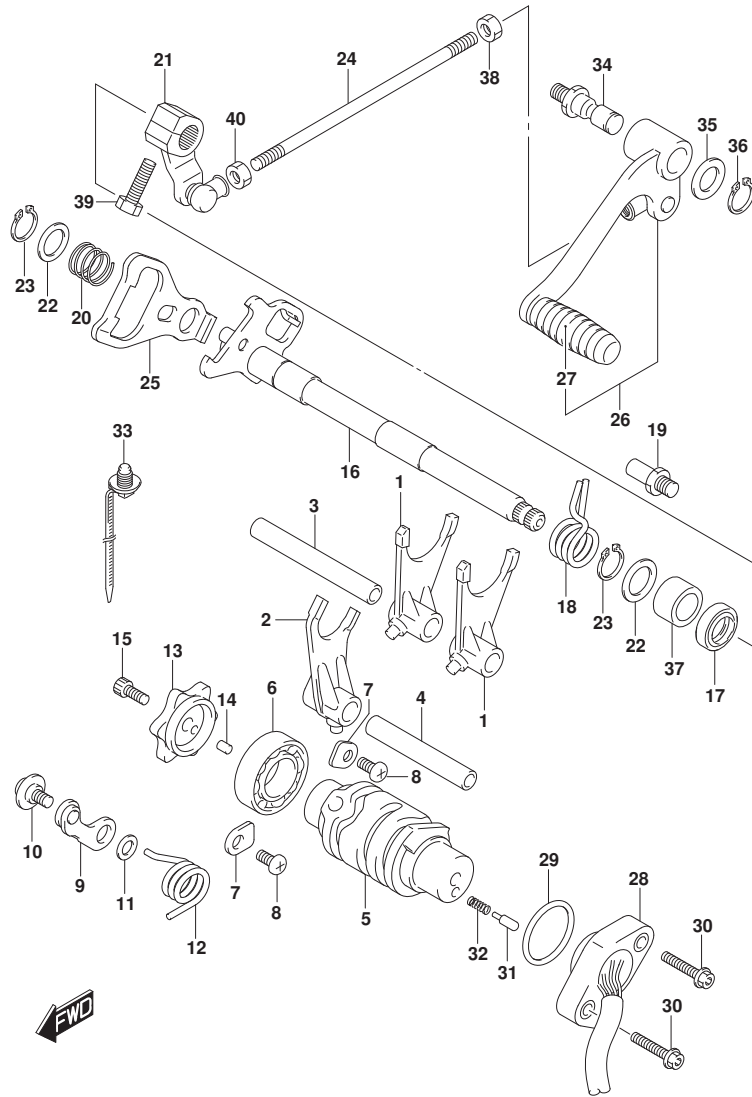


FIG.212A (1-C-9) GEAR SHIFTING

REF NO.	PART NO.	DESCRIPTION	Q'TY	REMARKS
36	08331-3112A-000	CIRCLIP	1	
37	09263-14036-000	BEARING (14X20X12)	1	
38	09140-06025-000	NUT	1	
39	01500-0620B-000	BOLT	1	
40	08310-0006A-000	NUT	1	

FIG.301A

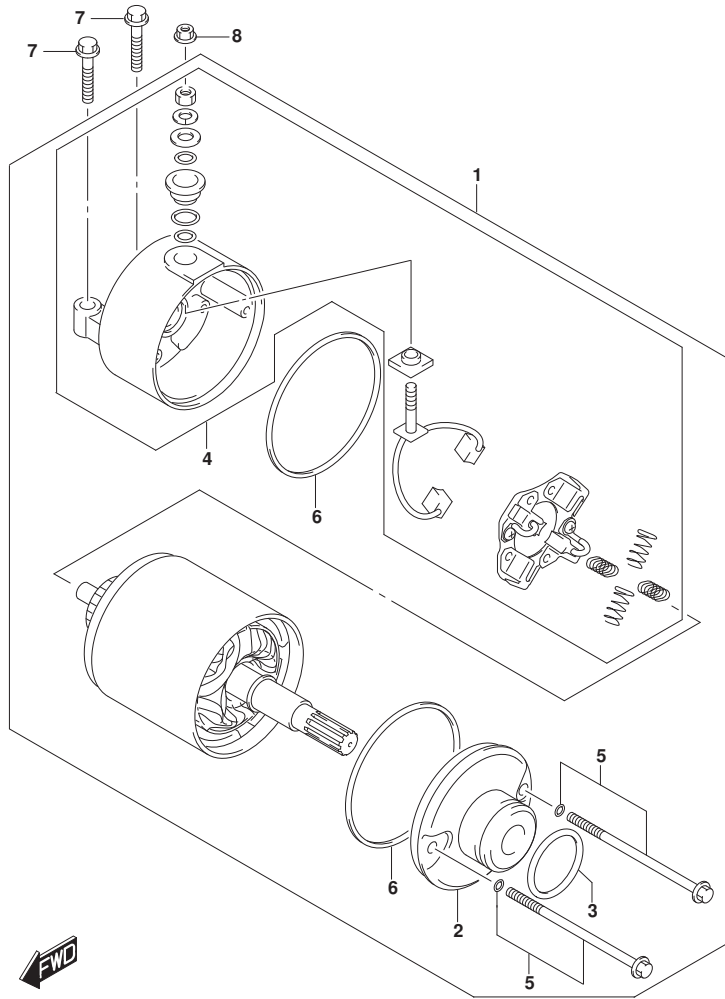


FIG.301A (1-C-10) STARTING MOTOR

REF NO.	PART NO.	DESCRIPTION	Q'TY	REMARKS
1	31100-41K00-000	MOTOR ASSY,STARTING	1	
2	31150-41K00-000	.FRONT BRACKET	1	
3	31156-41K00-000	.O-RING	1	
4	31175-41K00-000	.REAR BRACKET	1	
5	31280-41K00-000	.BOLT SET	1	
6	31264-41K00-000	.SEAL SET	1	
7	01547-0625A-000	BOLT	2	
8	08361-3506A-000	NUT	1	

FIG.303A

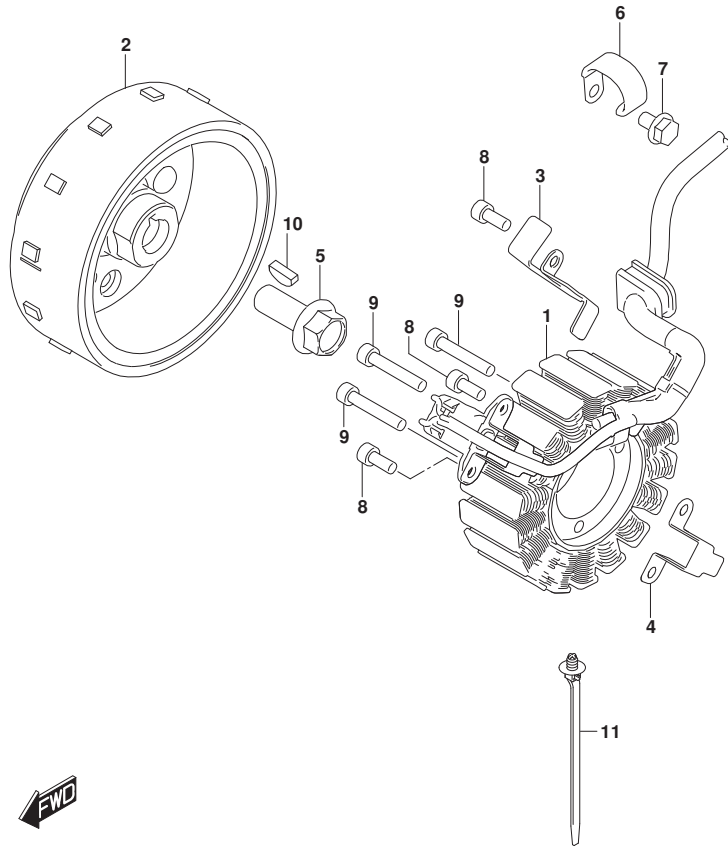


FIG.303A (1-C-11) MAGNETO

REF NO.	PART NO.	DESCRIPTION	Q'TY	REMARKS
1	32101-41K00-000	STATOR ASSY,MAGNETO	1	
2	32102-41K00-000	ROTOR ASSY,MAGNETO	1	
3	32371-41K00-000	CLAMP,MAGNETO LEAD	1	
4	32371-41K10-000	CLAMP,SENSOR LEAD	1	
5	32491-41K00-000	BOLT,MAGNETO ROTOR	1	
6	09404-06436-000	CLAMP (L:80)	1	
7	01550-0610A-000	BOLT	1	
8	07130-0512B-000	BOLT	3	
9	07130-0530B-000	BOLT	3	
10	09420-04008-000	KEY (B:4,D:16,H6.5)	1	
11	09407-15L01-000	CLAMP (L:170)	1	

FIG.310A

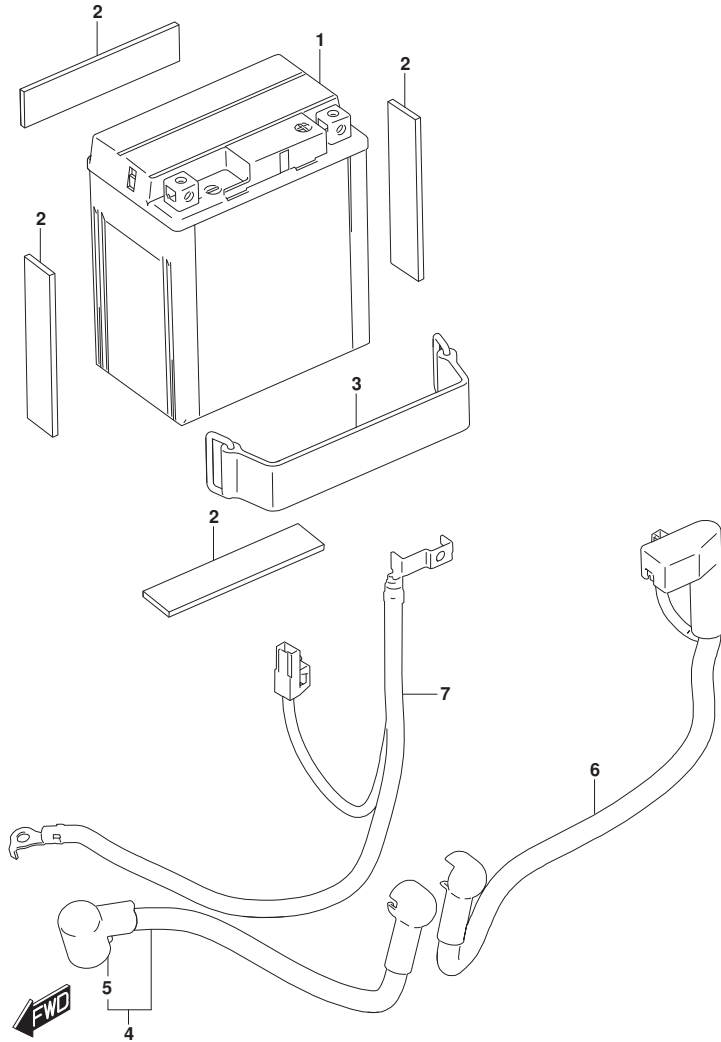


FIG.310A (1-C-12) BATTERY

REF NO.	PART NO.	DESCRIPTION	Q'TY	REMARKS
1	33620-41K12-000	BATTERY ASSY (YTZ7,12V/6.3AH)	1	
2	33652-29101-000	PROTECTOR,BATTERY (170X95X3.0)	1	
3	09462-00007-000	BAND	1	
4	33810-41K10-000	WIRE,STARTER MOTOR LEAD	1	
5	33624-41K00-000	.CAP,STARTER LEAD	1	
6	33820-41K00-000	WIRE,BATTERY PLUS LEAD	1	
7	33860-41K00-000	WIRE,BATTERY MINUS LEAD	1	

FIG.311A

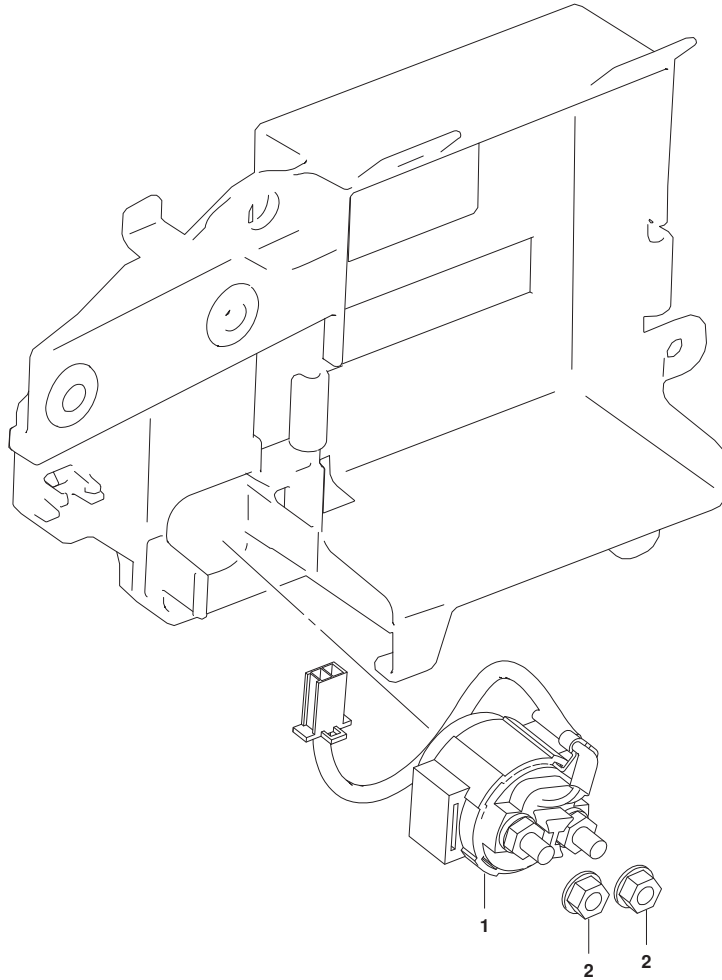


FIG.311A (1-C-13) STARTOR RELAY

REF NO.	PART NO.	DESCRIPTION	Q'TY	REMARKS
1	31800-34J02-000	RELAY ASSY,STARTING MOTOR	1	
2	08361-3506A-000	NUT	2	



FIG.313A

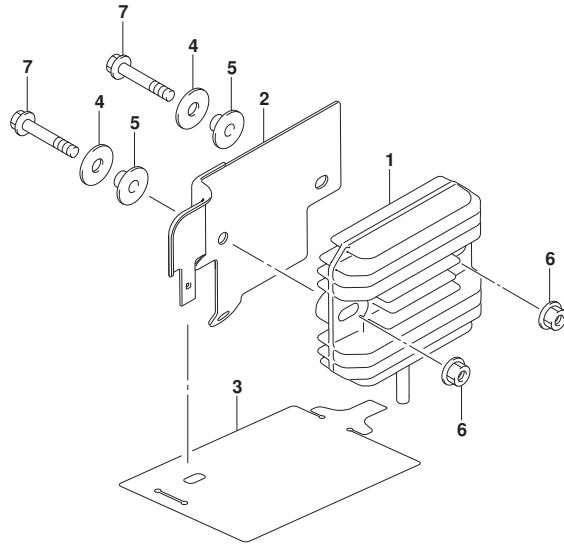


FIG.313A (1-C-14) RECTIFIER

REF NO.	PART NO.	DESCRIPTION	Q'TY	REMARKS
1	32800-20K30-000	RECTIFIER ASSY	1	
2	32832-41K00-000	PLATE,RECTIFIER	1	
3	32852-41K00-000	PROTECTOR,RECTIFIER	1	
4	09160-06060-000	WASHER (6.5X20X1.2)	2	
5	09180-06380-000	SPACER (6.2X8.4X6.9)	2	
6	08316-1006B-000	NUT	2	
7	01547-0630B-000	BOLT	2	



FIG.316A

FIG.316A (1-C-15) IGNITION COIL

REF NO.	PART NO.	DESCRIPTION	Q'TY	REMARKS
1	33410-41K00-000	COIL ASSY,IGNITION	1	
2	33414-41K00-000	BRACKET,IGNITION COIL	1	
3	01547-0620A-000	BOLT	2	
4	01547-0612A-000	BOLT	2	
5	33510-41K00-000	CAP ASSY,SPARK PLUG	1	
6	33541-08K00-000	SEAL,SPARK PLUG	1	
7	33542-30H00-000	SEAL,HIGH TENSION CORD	1	

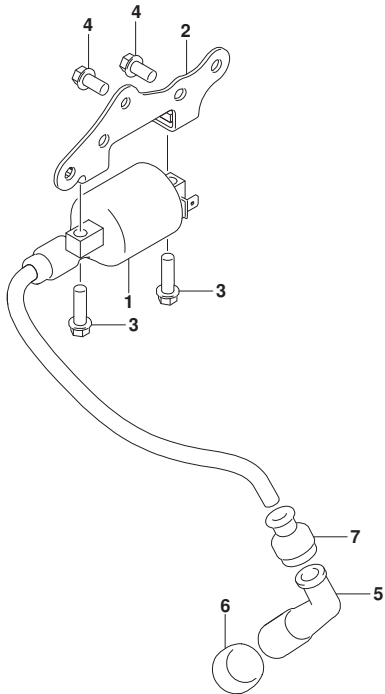


FIG.322A

FIG.322A (1-C-16) ELECTRIC POWER CONTROL UNIT

REF NO.	PART NO.	DESCRIPTION	Q'TY	REMARKS
1	32920-20L00-000	CONTROL UNIT,FI	1	
2	33960-27G00-000	SENSOR ASSY,FUEL CUT	1	
3	09280-63003-000	O-RING (D:3.5,ID:62.6)	1	

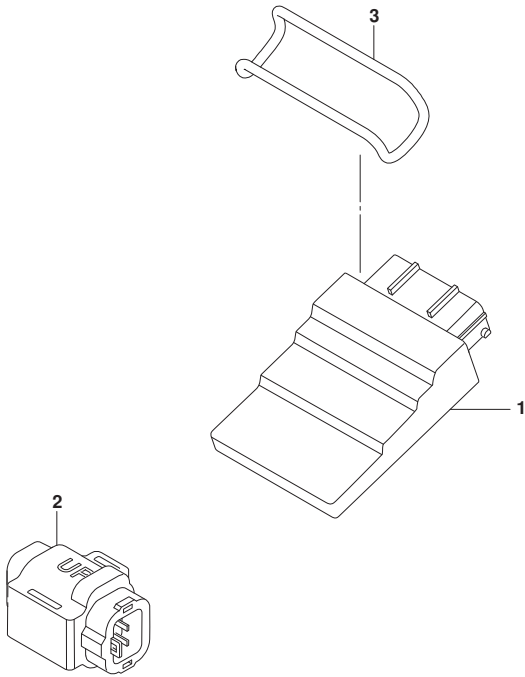


FIG.330A



FIG.330A (1-D-2) SPEEDOMETER

REF NO.	PART NO.	DESCRIPTION	Q'TY	REMARKS
1	34100-20LA2-000	SPEEDOMETER ASSY	1	
2	34189-34J00-000	CUSHION,SPEEDOMETER	3	
3	09160-04026-000	WASHER (4.5X16X1.2)	3	
4	03541-0416A-000	SCREW	3	

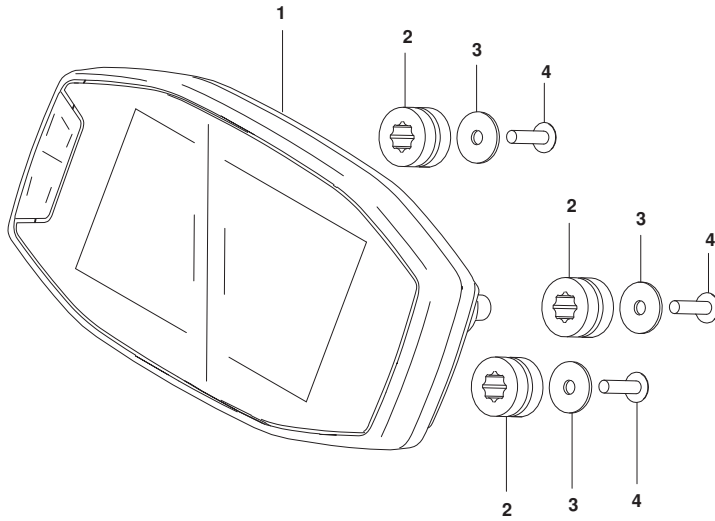


FIG.333A

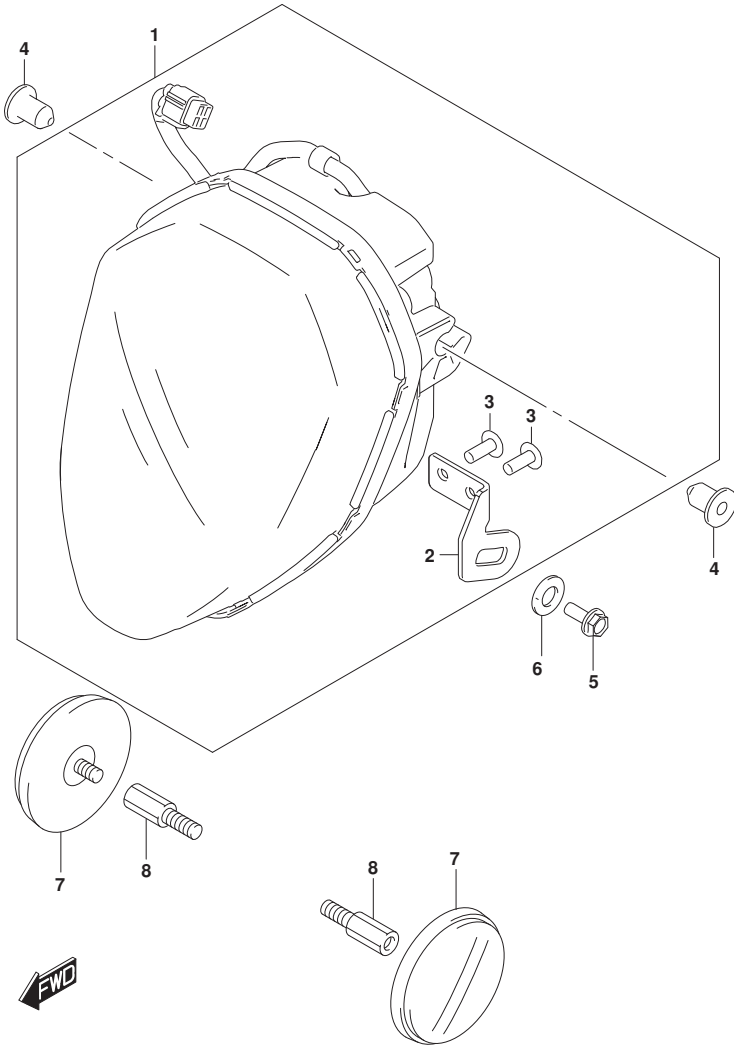


FIG.333A (1-D-3) HEADLAMP

REF NO.	PART NO.	DESCRIPTION	Q'TY	REMARKS
1	35100-20L01-000	HEADLAMP ASSY	1	
2	35159-20L00-000	.BRACKET	1	
3	03541-0616B-000	.SCREW	2	
4	51831-30H10-000	CUSHION,METER BRACE	2	
5	02162-0616B-000	SCREW (6X16)	1	
6	09160-06151-000	WASHER (6.5X18X1)	1	
7	35950-20L00-000	REFLEX REFLECTOR ASSY,SIDE	2	
8	09119-06140-000	BOLT	2	

FIG.334A

FIG.334A (1-D-4) TURNSIGNAL LAMP

REF NO.	PART NO.	DESCRIPTION	Q'TY	REMARKS
1	35601-20LE0-000	LAMP ASSY,FRONT TURNSIGNAL,R	1	
2	35222-34J80-000	.BULB (12V10W,AMBER)	1	
3	35616-34J00-000	.PLATE	1	
4	35623-34J00-000	.SCREW	1	
5	35623-34J30-000	.SCREW	1	
6	35623-34J40-000	.SCREW	2	
7	35602-20LE0-000	LAMP ASSY,FRONT TURNSIGNAL,L	1	
8	35222-34J80-000	.BULB (12V10W,AMBER)	1	
9	35616-34J00-000	.PLATE	1	
10	35623-34J00-000	.SCREW	1	
11	35623-34J30-000	.SCREW	1	
12	35623-34J40-000	.SCREW	2	
13	35629-34J30-000	PLATE,FRONT TURNSIGNAL	2	
14	36990-44J10-000	CLAMP	1	
15	09407-15L01-000	CLAMP (L:170)	2	
16	09407-14407-000	CLAMP (L:145)	1	
17	35603-20L50-000	LAMP ASSY,REAR TURNSIGNAL,R	1	
18	35616-34J00-000	.PLATE	1	
19	35623-34J00-000	.SCREW	1	
20	35623-34J30-000	.SCREW	1	
21	35623-34J40-000	.SCREW	2	
22	09471-12226-000	.BULB (12V10W,AMBER)	1	
23	35604-20L50-000	LAMP ASSY,REAR TURNSIGNAL,L	1	
24	35616-34J00-000	.PLATE	1	
25	35623-34J00-000	.SCREW	1	
26	35623-34J30-000	.SCREW	1	
27	35623-34J40-000	.SCREW	2	
28	09471-12226-000	.BULB (12V10W,AMBER)	1	
29	35629-34J30-000	PLATE,FRONT TURNSIGNAL	2	
30	38610-27K01-000	RELAY ASSY,TURNSIGNAL	1	

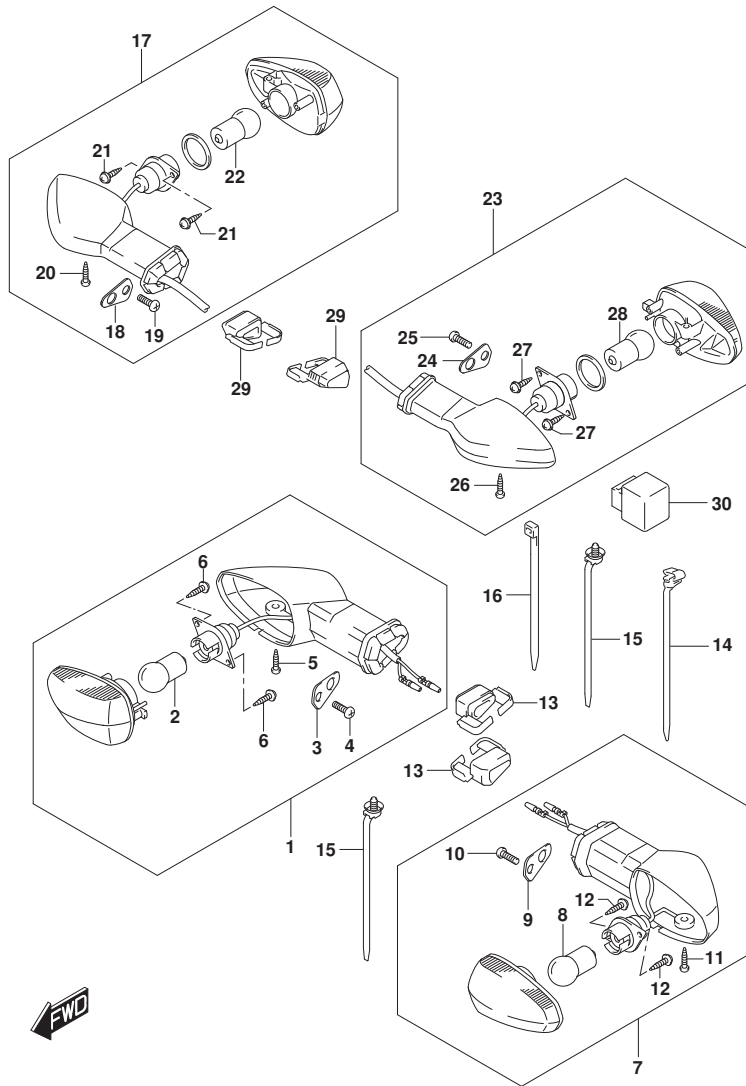


FIG.339A

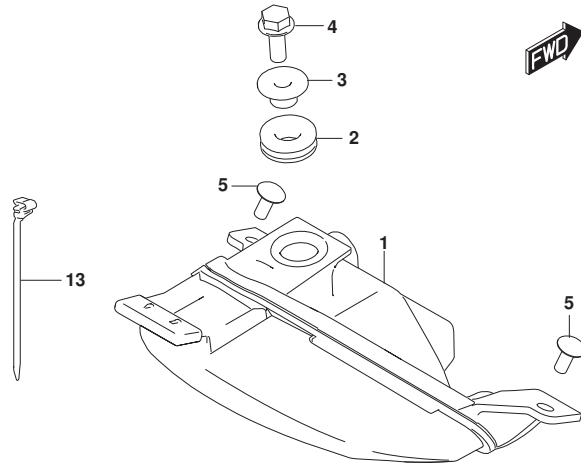


FIG.339A (1-D-5) REAR COMBINATION LAMP

REF NO.	PART NO.	DESCRIPTION	Q'TY	REMARKS
1	35710-20L00-000	LAMP ASSY,REAR COMB	1	
2	47161-23J00-000	CUSHION (10X22X7)	1	
3	53275-34J00-000	SPACER,FR FENDER	1	
4	01550-0616A-000	BOLT	1	
5	03541-0512A-000	SCREW	2	
6	35910-23K10-000	LAMP ASSY,LICENSE	1	
7	35913-23K00-000	.RUBBER	1	
8	09160-05050-000	WASHER (5.5X18X1)	2	
9	03541-0512A-000	SCREW	2	
10	35970-28G00-000	REFLECTOR ASSY,RR	1	
11	09160-05050-000	WASHER (5.5X18X1)	1	
12	08319-2105A-000	NUT	1	
13	36990-44J10-000	CLAMP	1	

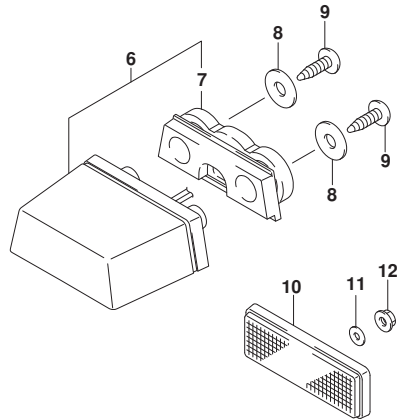


FIG.350A

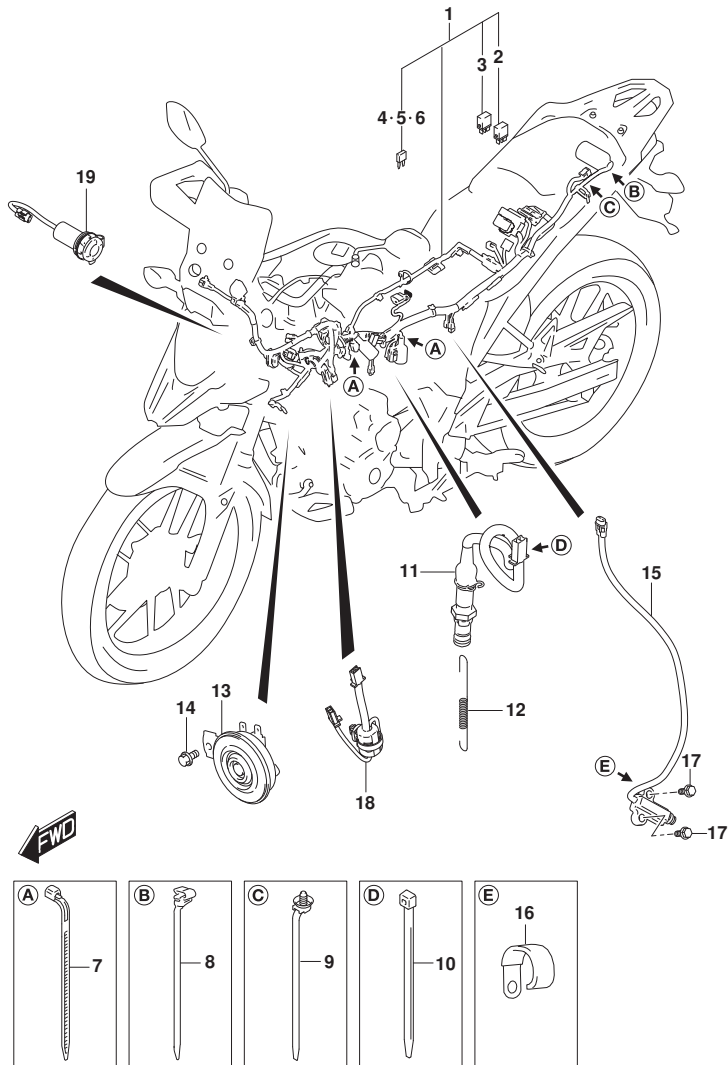


FIG.350A (1-D-6) WIRING HARNESS

REF NO.	PART NO.	DESCRIPTION	Q'TY	REMARKS
1	36610-20L00-000	HARNESS,WIRING	1	
2	38860-76F01-000	.RELAY ASSY	1	FAN MOTOR
3	38860-76F01-000	.RELAY ASSY	1	STARTER SUB
4	09481-10501-000	.FUSE (10A)	3	
5	09481-15501-000	.FUSE (15A)	2	
6	09481-20501-000	.FUSE (20A)	1	
7	36990-70F20-000	CLAMP,COMB SW WIRE (L:165)	2	
8	36990-44J10-000	.CLAMP	2	
9	09407-14L01-000	CLAMP (L:125)	1	
10	09407-14407-000	CLAMP (L:145)	2	
11	37740-34J20-000	SWITCH ASSY,STOP LAMP	1	
12	43232-34J00-000	SPRING,STOP LAMP SWITCH	1	
13	38500-41K01-000	HORN ASSY	1	
14	01550-0610B-000	BOLT	1	
15	37840-48K00-000	SWITCH ASSY,SIDE STAND	1	
16	09404-06429-000	CLAMP (L:45)	1	
17	01550-0620A-000	BOLT (6X20)	2	
18	36852-20L10-000	WIRE,FAN MOTOR LEAD	1	
19	39105-44K41-000	SOCKET,USB	1	

FIG.352A

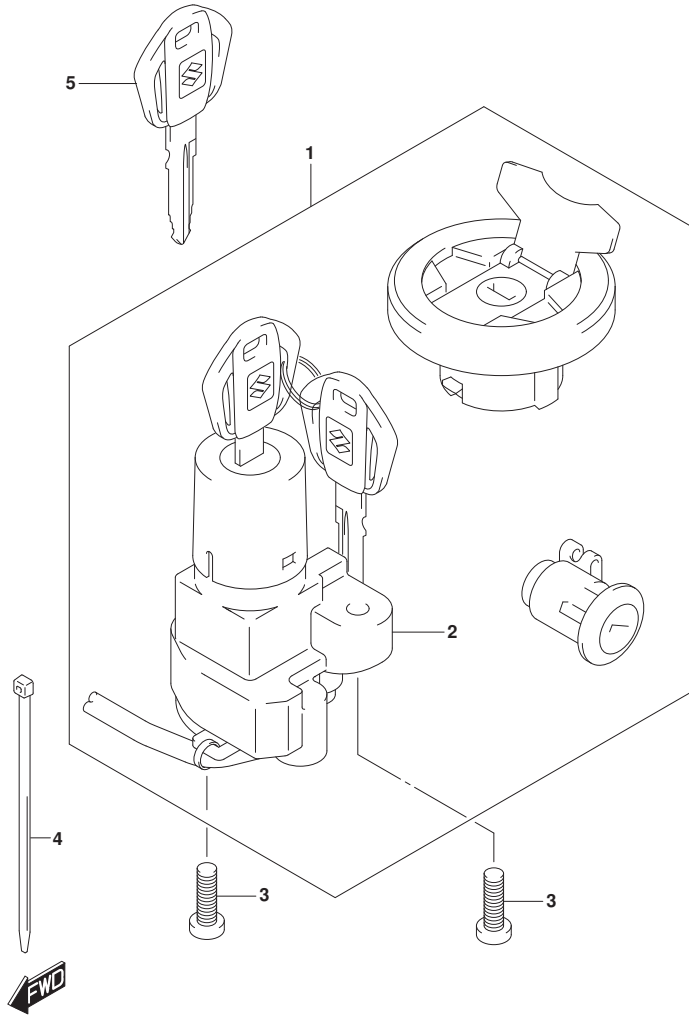


FIG.352A (1-D-7) LOCK SET

REF NO.	PART NO.	DESCRIPTION	QTY	REMARKS
1	37101-20891-000	LOCK SET	1	
2	37100-20L01-000	.LOCK ASSY,STEERING	1	
3	37152-30H00-000	BOLT,STEERING LOCK	2	
4	09407-14407-000	CLAMP (L:145)	1	
5	37146-41K00-000	KEY,BLANK	1	OPT

FIG.355A

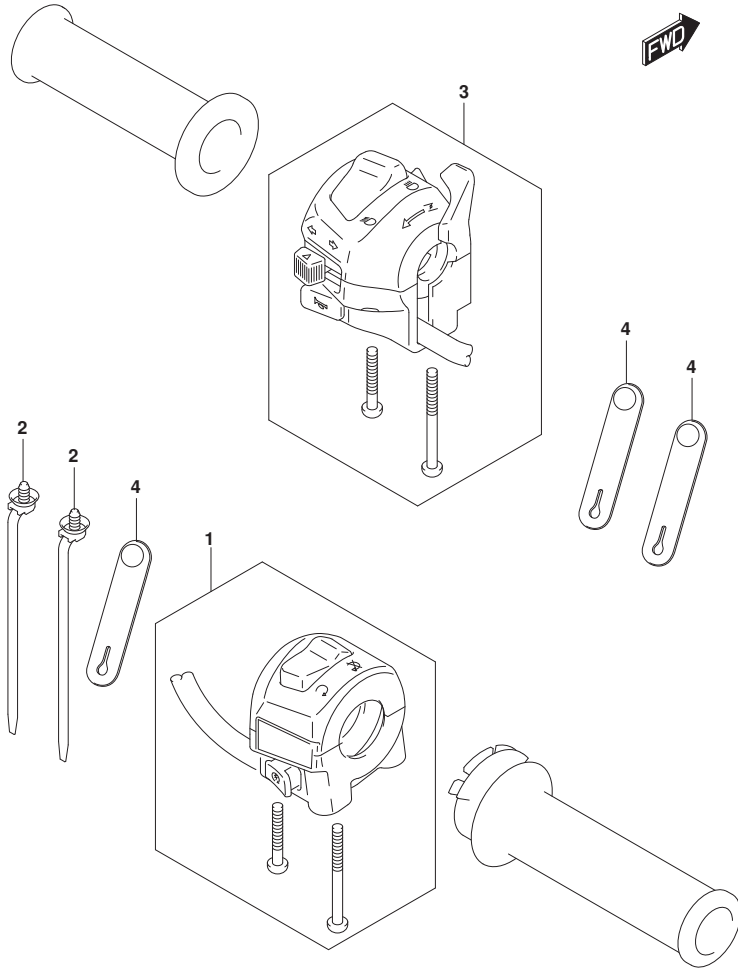


FIG.355A (1-D-8) HANDLE SWITCH

REF NO.	PART NO.	DESCRIPTION	Q'TY	REMARKS
1	37200-27K21-000	SWITCH ASSY,HANDLE,R	1	
2	09407-15L01-000	CLAMP (L:170)	2	
3	37400-27K20-000	SWITCH ASSY,HANDLE,L	1	
4	36990-20L00-000	CLAMP,HANDLE SWITCH	3	

FIG.401A

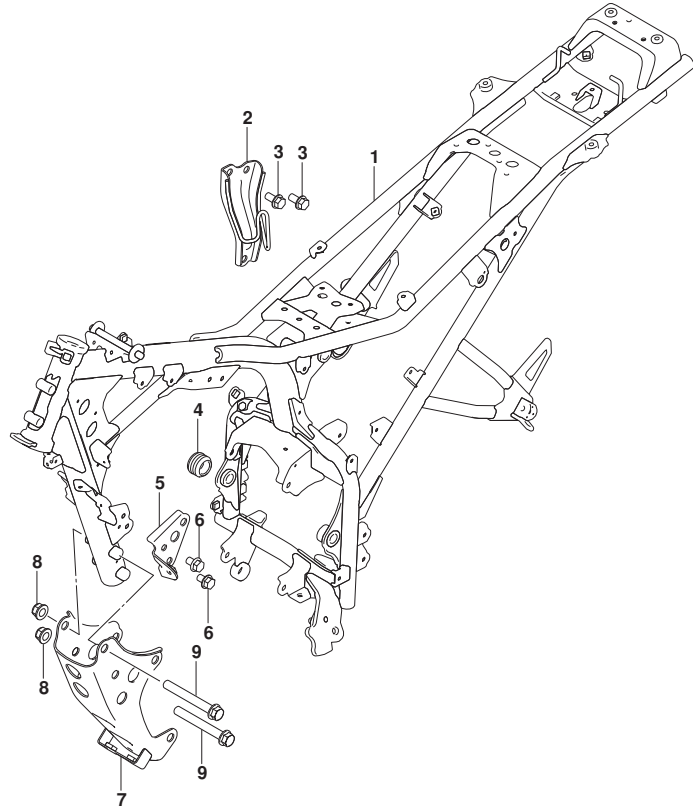


FIG.401A (1-D-9) FRAME

REF NO.	PART NO.	DESCRIPTION	Q'TY	REMARKS
1	41100-20L00-000	FRAME	1	
2	41980-41K00-000	PLATE,ENG MTG UPPER	1	
3	01550-0816A-000	BOLT (8X16)	2	
4	43585-27K00-000	CAP,FRAME BRIDGE LOWER	1	
5	41994-41K00-000	PLATE,ENG MTG FRONT	1	
6	01550-0812B-000	BOLT	2	
7	41990-20L00-000	BRACKET,ENG MTG LOWER	1	
8	08319-3110B-000	NUT	2	
9	41933-34J00-000	BOLT,ENG MTG LOWER	2	

FIG.406A

FIG.406A (1-D-10) HOLDER

REF NO.	PART NO.	DESCRIPTION	Q'TY	REMARKS
1	41542-41K00-000	HOLDER,BATTERY	1	
2	47431-20L00-000	HOLDER,OWNERS MANUAL	1	
3	48178-31C00-000	CUSHION (15X30X3)	1	
4	09111-06063-000	BOLT (6X12)	3	
5	09139-06219-000	BOLT (6X13)	1	
6	47421-20L00-000	HOLDER,ELECTRIC PARTS	1	
7	03541-0512A-000	SCREW	3	

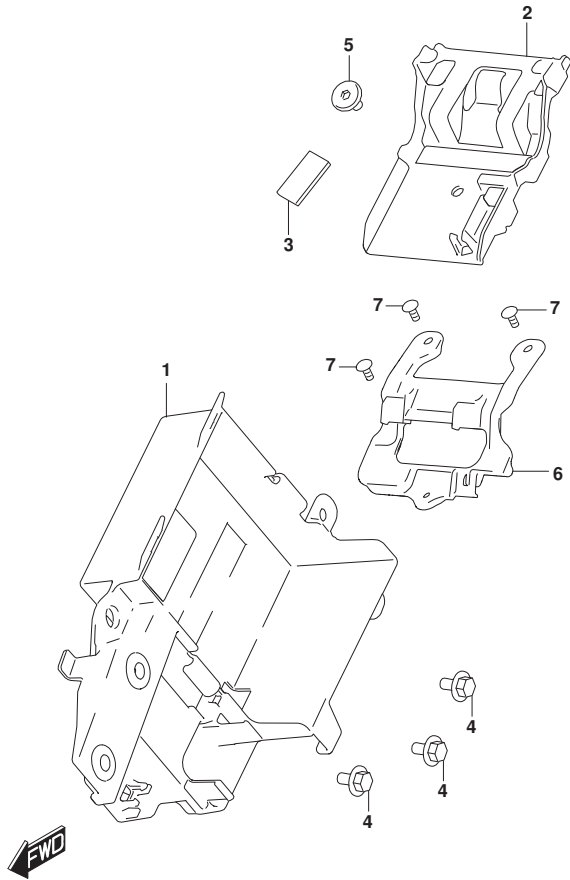


FIG.407A

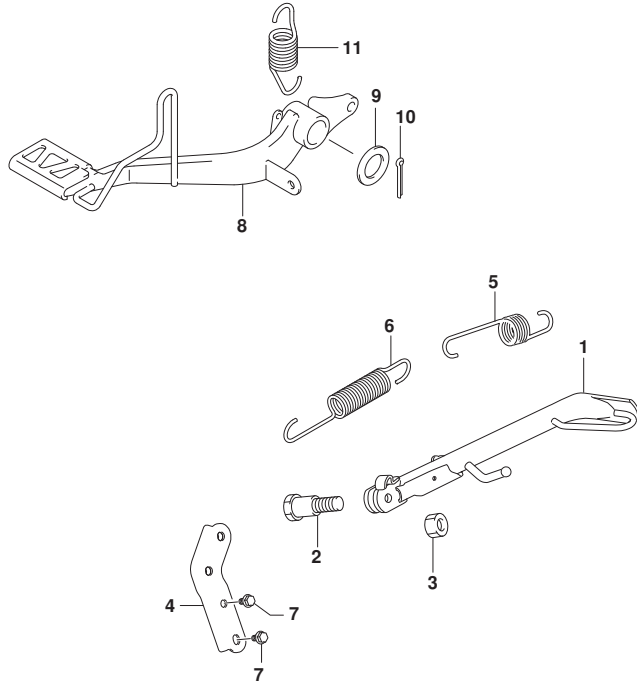


FIG.407A (1-D-11) STAND

REF NO.	PART NO.	DESCRIPTION	Q'TY	REMARKS
1	42310-20L00-000	STAND,PROP	1	
2	42341-27K00-000	BOLT,PROP STAND (10X33)	1	
3	08319-2110B-000	NUT	1	
4	42360-41K00-000	PLATE,SIDE STAND SWITCH	1	
5	42423-48H00-000	SPRING,PROP STAND	1	
6	42424-48H00-000	SPRING,PROP STAND OUTER	1	
7	01550-0612B-000	BOLT	2	
8	43110-34J20-000	PEDAL,BRAKE	1	
9	09160-15002-000	WASHER (15.5X26X2.3)	1	
10	04111-3025A-000	PIN	1	
11	43211-23J00-000	SPRING,BRAKE PEDAL	1	

FIG.412A

FIG.412A (1-D-12) CARRIER

REF NO.	PART NO.	DESCRIPTION	Q'TY	REMARKS
1	46311-20LA0-000	CARRIER,SPORT	1	
2	01550-0825A-000	BOLT	4	
3	68391-20L00-000	LABEL,CARRIER WARNING	1	

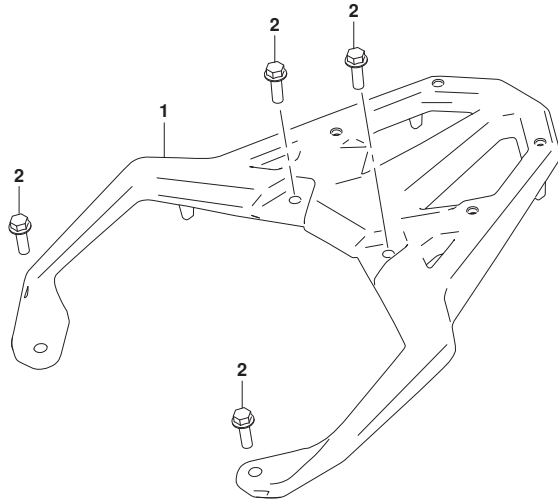


FIG.415A

FIG.415A (1-D-13) FOOTREST

REF NO.	PART NO.	DESCRIPTION	Q'TY	REMARKS
1	43510-20L00-000	BRACKET,FR FOOTREST,R	1	
2	43520-20L00-000	BRACKET,FR FOOTREST,L	1	
3	09106-08210-000	BOLT	4	
4	43551-06L00-000	RUBBER,FR FOOTREST	2	
5	09200-08077-000	PIN	2	
6	04111-2515A-000	PIN	2	
7	09448-20012-000	SPRING	2	
8	43530-06L00-000	BAR,FRONT FOOTREST RH	1	
9	43540-06L00-000	BAR,FRONT FOOTREST LH	1	
10	43552-06L00-000	PLATE,FR FOOTREST RUBBER	2	
11	47512-28K00-000	SPACER,FR FOOTREST RUBBER	4	
12	07120-0512A-000	BOLT	4	
13	43576-48B80-000	BOLT,BANK SENSOR	2	
14	43571-20L00-000	GUARD,FR FOOTREST,R	1	
15	43572-20L00-000	GUARD,FR FOOTREST,L	1	
16	07130-0616A-000	BOLT (6X16)	2	
17	43611-37H70-000	BAR,PILLION FOOTREST,R	1	
18	43621-37H70-000	BAR,PILLION FOOTREST,L	1	
19	43529-34J10-000	PIN,PILLION FOOTREST	2	
20	04111-2515A-000	PIN	2	
21	09440-05003-000	SPRING	2	
22	06111-07004-000	BALL	2	

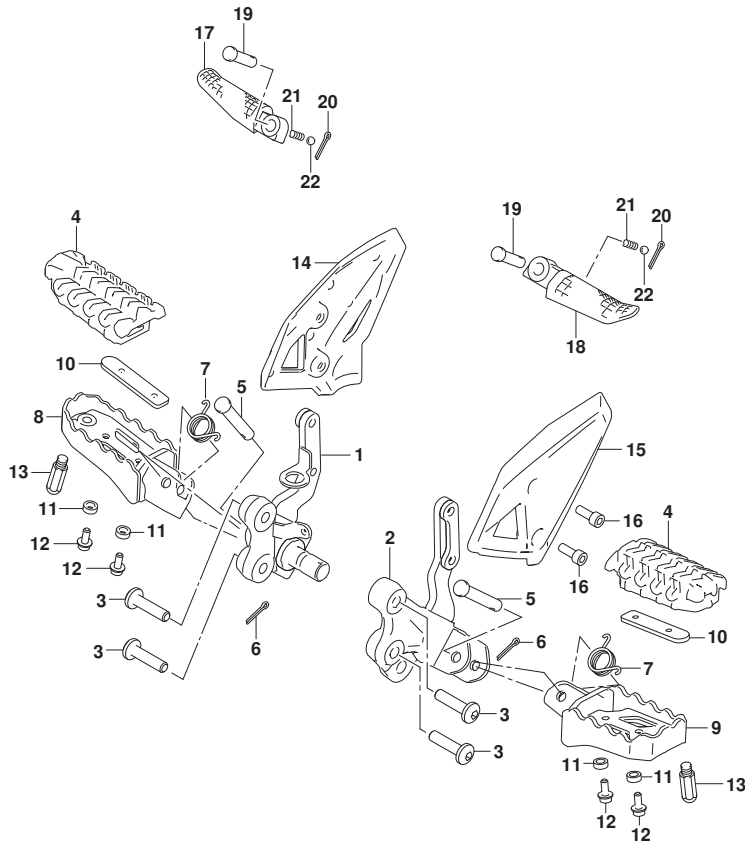


FIG.420A

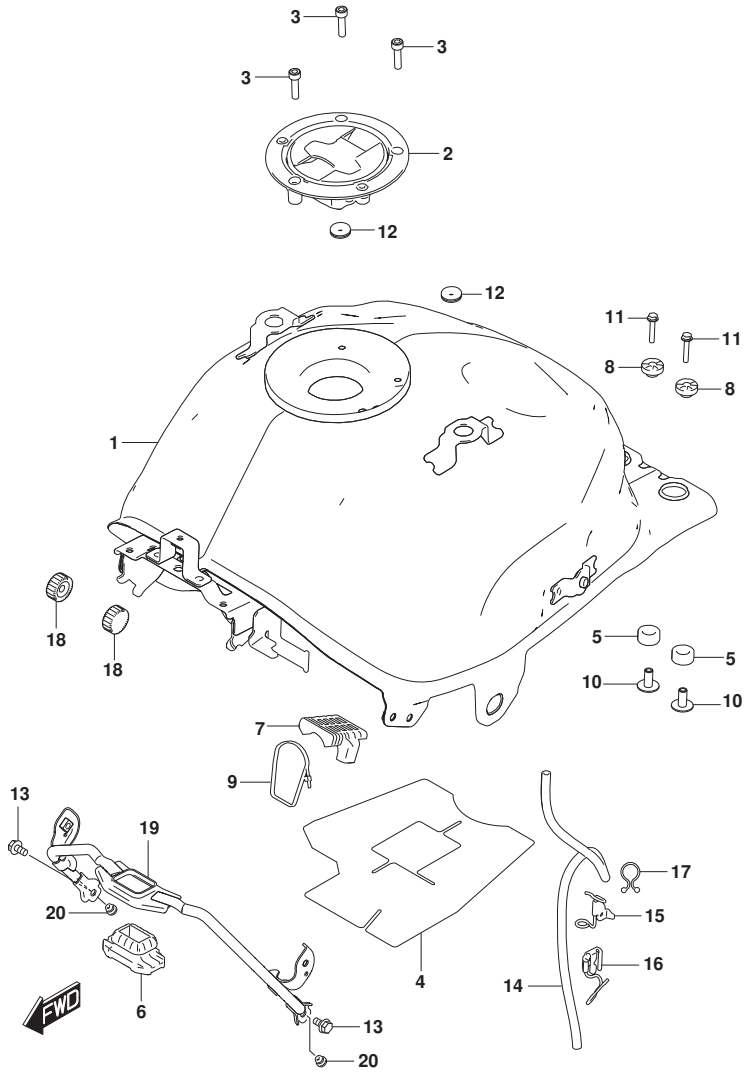


FIG.420A (1-D-14) FUEL TANK

REF NO.	PART NO.	DESCRIPTION	Q'TY	REMARKS
1	44100-20L00-000	TANK ASSY,FUEL	1	
2	44200-34860-000	CAP SET,FUEL TANK FILLER	1	
3	09106-05017-000	BOLT (5X20)	3	
4	44271-41K00-000	SHIELD,FUEL TANK HEAT	1	
5	44542-44J00-000	CUSHION,FUEL TANK LWR	2	
6	44542-20L00-000	CUSHION,FUEL TANK FRONT BRACE	1	
7	44541-34J20-000	CUSHION,FUEL TANK CTR	1	
8	44541-44J00-000	CUSHION,FUEL TANK UPR	2	
9	44549-34J00-000	CLAMP,FUEL TANK CUSHION CTR	1	
10	44544-27K00-000	SPACER,FUEL TANK CUSHION	2	
11	01550-0635A-000	BOLT	2	
12	47162-30H00-000	CUSHION (8X26X7)	2	
13	01550-0612A-000	BOLT	2	
14	44423-41K00-000	HOSE,FUEL TANK DRAIN	1	
15	44480-41K00-000	GUIDE,DRAIN HOSE	1	
16	44480-41K20-000	GUIDE,DRAIN HOSE NO.2	1	
17	09408-00343-000	CLAMP	1	
18	44512-44J00-000	CUSHION,FUEL TANK FRONT	2	
19	44520-20L00-000	BRACE,FUEL TANK FRONT	1	
20	44515-34J10-000	CUSHION,FUEL TANK FR BRACE	2	

FIG.423A

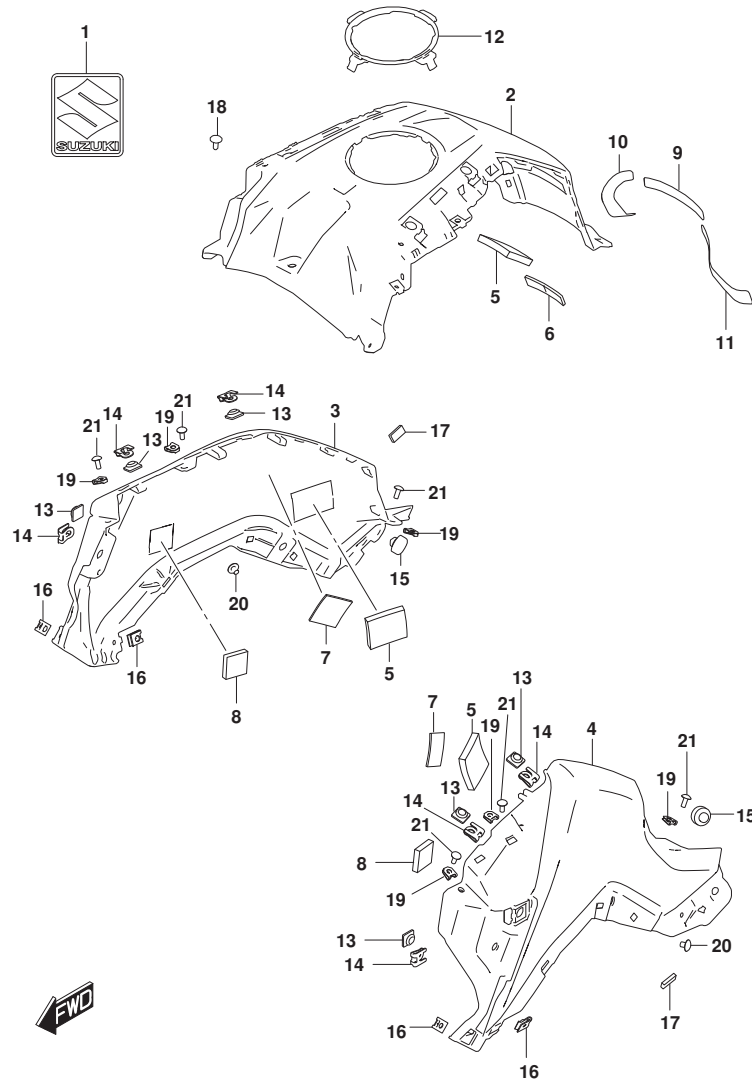


FIG.423A (1-D-15) FUEL TANK COVER

REF NO.	PART NO.	DESCRIPTION	Q'TY	REMARKS
1	68281-44K00-000	EMBLEM,S	1	
2	44171-20L01-YKV	COVER,FUEL TANK CENTER (BLACK)	1	
3	44181-20L01-YVB	COVER,FUEL TANK,R (BLACK)	1	
4	44191-20L01-YVB	COVER,FUEL TANK,L (BLACK)	1	
5	44271-20L00-000	CUSHION,FUEL TANK COV CTR NO.1	3	
6	44272-20L00-000	CUSHION,FUEL TANK COV CTR NO.2	1	
7	44281-20L00-000	CUSHION,TANK COVER SIDE NO.1	2	
8	44282-20L00-000	CUSHION,TANK COVER SIDE NO.2	2	
9	44283-20L00-000	PROTECTOR,TANK COVER CTR	1	
10	44284-20L00-000	PROTECTOR,FUEL TANK COVER,R	1	
11	44285-20L00-000	PROTECTOR,FUEL TANK COVER,L	1	
12	44295-41K00-000	RUBBER,FUEL TANK COVER	1	
13	44523-20L00-000	NUT (M5)	6	
14	44552-20L00-000	CLIP,NUT	6	
15	45148-27K00-000	CUSHION,SEAT MOUNT	2	
16	47349-34J01-000	NUT (M5)	4	
17	63114-41K00-000	CUSHION,FENDER RR FR	2	
18	09139-05096-000	BOLT (5X13)	1	
19	09148-05L04-000	NUT (M5)	6	
20	02142-0608A-000	SCREW	2	
21	03541-0512A-000	SCREW	6	

FIG.445A

FIG.445A (1-E-2) FRAME COVER

REF NO.	PART NO.	DESCRIPTION	Q'TY	REMARKS
1	47162-30H00-000	CUSHION (8X26X7)	4	
2	47311-20L00-000	COVER,FRAME CENTER	1	
3	47315-41K00-000	CUSHION (8-14X26-32X7)	2	
4-1	09409-06346-000	CLIP	4	
4-2	09409-06L07-000	CLIP	4	
5-1	09409-08014-000	CLIP	2	
5-2	09409-08L09-000	CLIP	2	
6-1	68135-20L00-CDT	TAPE,FRAME COVER REAR,R (BLUE, GRAY,YELLOW)	1	BODY COLOR:YU1
6-2	68135-20L00-CDU	TAPE,FRAME COVER REAR,R (RED,G RAY,BLACK)	1	BODY COLOR:YVB
6-3	68135-20L00-CWS	TAPE,FRAME COVER REAR,R (WHITE ,BLACK,RED)	1	BODY COLOR:QSB
7-1	68145-20L00-CDT	TAPE,FRAME COVER REAR,L (BLUE, GRAY,YELLOW)	1	BODY COLOR:YU1
7-2	68145-20L00-CDU	TAPE,FRAME COVER REAR,L (RED,G RAY,BLACK)	1	BODY COLOR:YVB
7-3	68145-20L00-CWS	TAPE,FRAME COVER REAR,L (WHITE ,BLACK,RED)	1	BODY COLOR:QSB
8-1	47131-20L00-YU1	COVER,FRAME REAR,R (YELLOW)	1	BODY COLOR:YU1
8-2	47131-20L00-YVB	COVER,FRAME REAR,R (BLACK)	1	BODY COLOR:YVB
8-3	47131-20L00-QSB	COVER,FRAME REAR,R (RED)	1	BODY COLOR:QSB
9	47132-20L00-000	CUSHION (20X10X10)	2	
10-1	47231-20L00-YU1	COVER,FRAME REAR,L (YELLOW)	1	BODY COLOR:YU1
10-2	47231-20L00-YVB	COVER,FRAME REAR,L (BLACK)	1	BODY COLOR:YVB
10-3	47231-20L00-QSB	COVER,FRAME REAR,L (RED)	1	BODY COLOR:QSB
11	63114-41K00-000	CUSHION,FENDER RR FR	4	
12	94433-05J00-000	CUSHION (10X15X1)	2	
13	09320-09016-000	CUSHION (9X18X9.5)	2	
14	09320-20011-000	CUSHION (20X32X9)	2	
15	09409-08009-000	CLIP	2	
16	09139-06219-000	BOLT (6X13)	2	
17	68155-34J00-J7A	EMBLEM,ABS (GRAY,BLACK)	1	

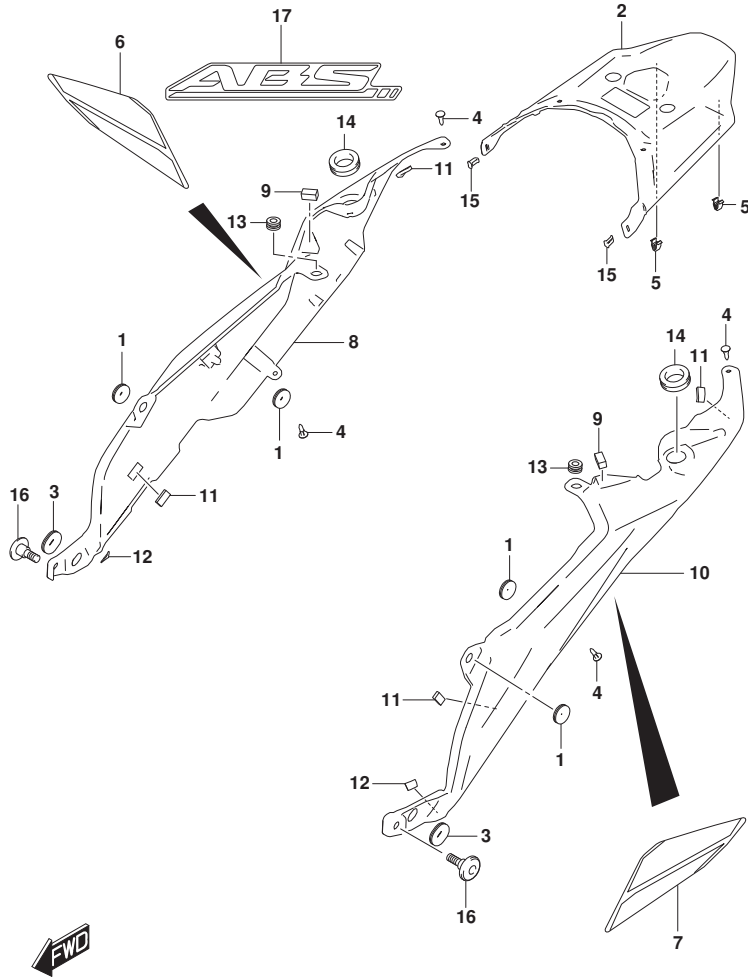


FIG.446A

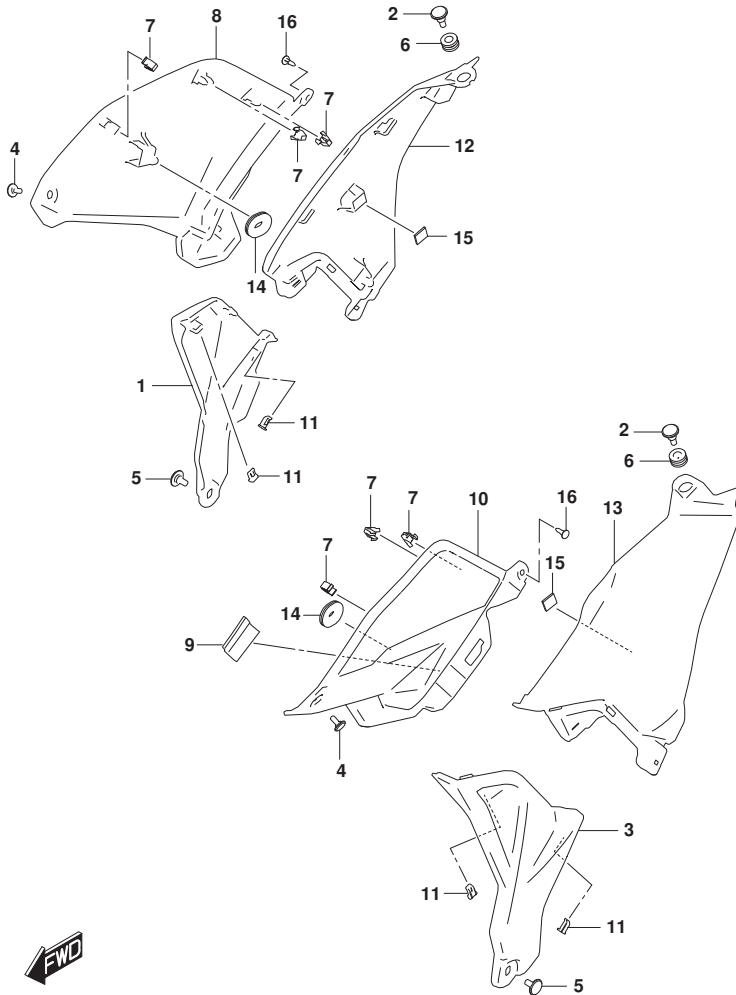


FIG.446A (1-E-3) FRAME LOWER COVER

REF NO.	PART NO.	DESCRIPTION	Q'TY	REMARKS
1	47111-20L00-YHG	COVER,FRAME,R (GRAY)	1	
2	47123-41K00-000	SCREW (6X20)	2	
3	47211-20L00-YHG	COVER,FRAME,L (GRAY)	1	
4	09139-05092-000	SCREW (5X13)	2	
5	09139-06230-000	SCREW (6X13)	2	
6	09320-09016-000	CUSHION (9X18X9.5)	2	
7-1	09409-08014-000	CLIP	6	
7-2	09409-08L09-000	CLIP	6	
8	47121-20L00-000	COVER,FRAME FRONT,R	1	
9	47122-20L00-000	CUSHION (40X40X3)	1	
10	47221-20L00-000	COVER,FRAME FRONT,L	1	
11	09409-08009-000	CLIP	4	
12	47112-20L00-000	COVER,FRAME UPPER,R	1	
13	47212-20L00-000	COVER,FRAME UPPER,L	1	
14	47315-41K00-000	CUSHION (8-14X26-32X7)	2	
15	94642-10GA0-000	CUSHION (15X15X2)	2	
16-1	09409-06346-000	CLIP	2	
16-2	09409-06L07-000	CLIP	2	

FIG.460A

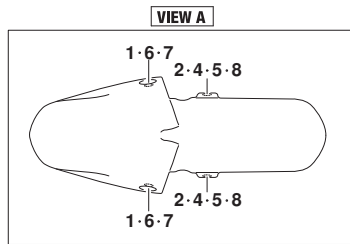
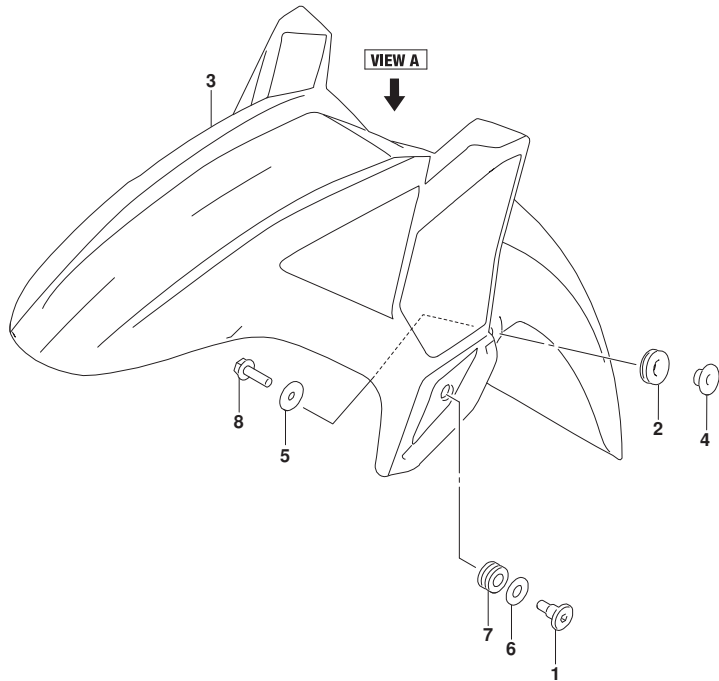


FIG.460A (1-E-4) FRONT FENDER

REF NO.	PART NO.	DESCRIPTION	Q'TY	REMARKS
1	47123-41K00-000	SCREW (6X20)	2	
2	47161-23J00-000	CUSHION (10X22X7)	2	
3	53111-20L00-000	FENDER,FRONT	1	
4	53275-34J00-000	SPACER,FR FENDER	2	
5	09160-06060-000	WASHER (6.5X20X1.2)	2	
6	09160-09015-000	WASHER (9X19X1.0)	2	
7	09320-09016-000	CUSHION (9X18X9.5)	2	
8	01550-0620A-000	BOLT (6X20)	2	

FIG.462A

FIG.462A (1-E-5) HANDLEBAR

REF NO.	PART NO.	DESCRIPTION	Q'TY	REMARKS
1	56110-20L00-000	HANDLEBAR	1	
2	56278-20L00-000	BALANCER,HANDLEBAR	2	
3	57346-41KA0-000	SPACER, KNUCKLE COVER	2	
4	07130-0655B-000	BOLT	2	

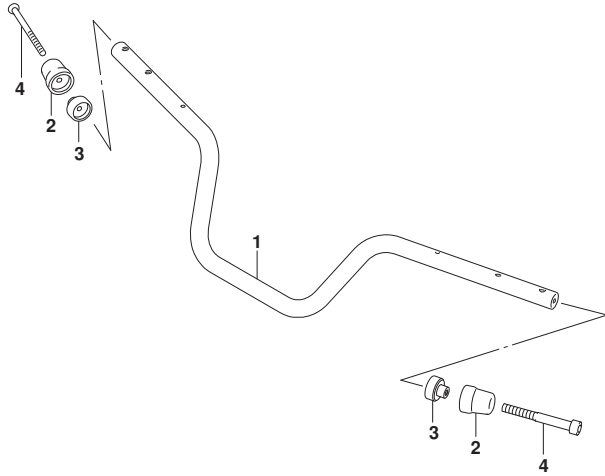


FIG.464A

FIG.464A (1-E-6) REAR VIEW MIRROR

REF NO.	PART NO.	DESCRIPTION	Q'TY	REMARKS
1	56500-34JB0-000	MIRROR ASSY,REAR VIEW,R	1	
2	56600-34JB0-000	MIRROR ASSY,REAR VIEW,L	1	

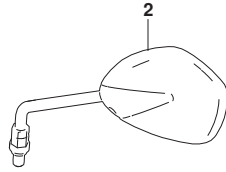
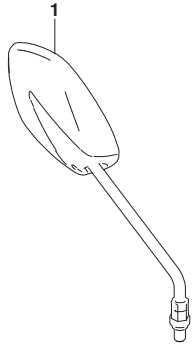


FIG.466A

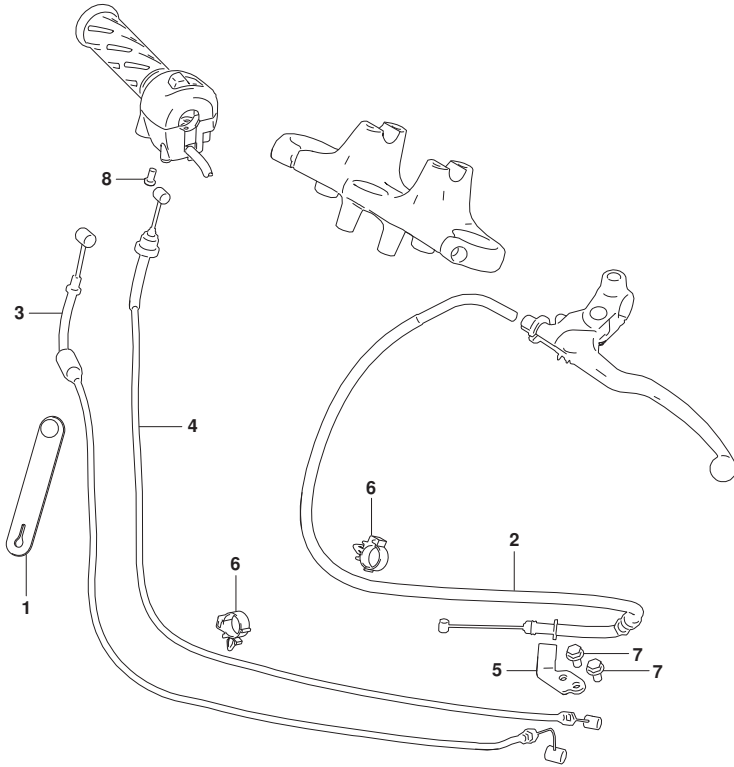


FIG.466A (1-E-7) CONTROL CABLE

REF NO.	PART NO.	DESCRIPTION	Q'TY	REMARKS
1	36990-20L10-000	CLAMP	1	
2	58200-20L00-000	CABLE ASSY,CLUTCH	1	
3	58300-20L00-000	CABLE ASSY,THROTTLE NO.1	1	
4	58300-20L10-000	CABLE ASSY,THROTTLE NO.2	1	
5	58634-41K10-000	STOPPER,CLUTCH CABLE	1	
6	09403-18409-000	CLAMP	2	
7	01550-0612A-000	BOLT	2	
8	02112-0510B-000	SCREW	1	

FIG.467A

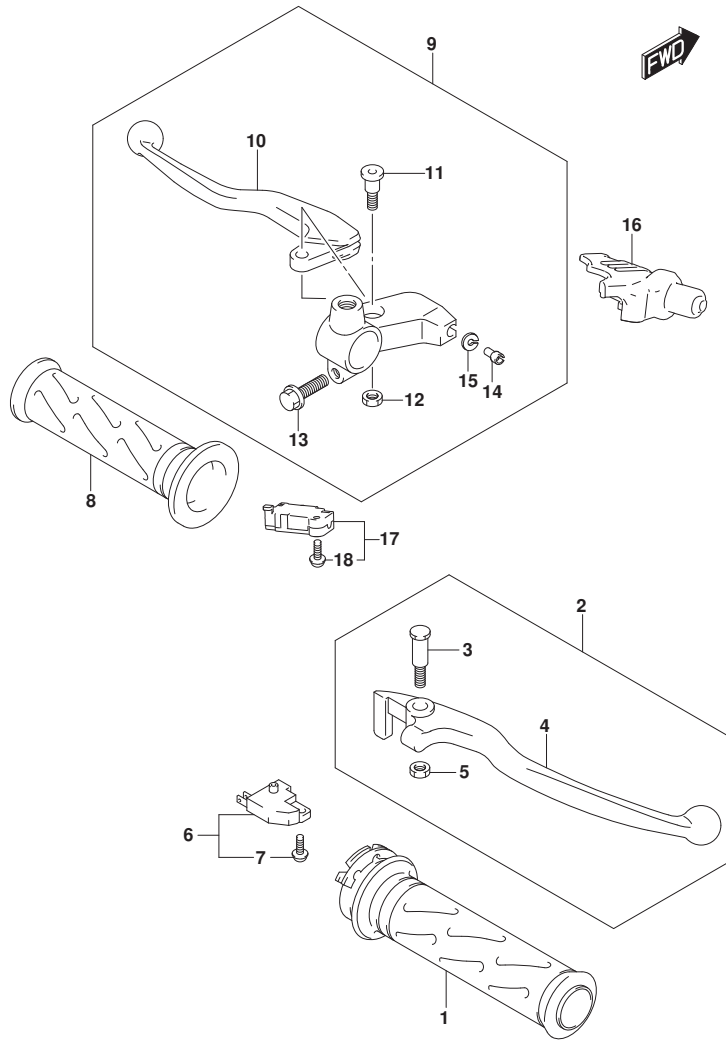


FIG.467A (1-E-8) HANDLE LEVER

REF NO.	PART NO.	DESCRIPTION	Q'TY	REMARKS
1	57110-30H11-000	GRIP,THROTTLE	1	
2	57300-41K00-000	LEVER ASSY,BRAKE	1	
3	57431-30H20-000	.BOLT,BRAKE LEVER PIVOT	1	
4	57421-41K00-000	.LEVER,BRAKE	1	
5	57433-30H10-000	.NUT,BRAKE LEVER PIVOT	1	
6	57460-30H00-000	SWITCH ASSY,FR BRAKE	1	
7	57465-30H00-000	.SCREW	1	
8	57211-22D12-000	GRIP,L	1	
9	57500-41K00-000	LEVER ASSY,CLUTCH	1	
10	57621-41K00-000	.LEVER,CLUTCH	1	
11	57431-41K00-000	.BOLT,CLUTCH LEVER PIVOT	1	
12	08319-2106A-000	.NUT	1	
13	01547-0620B-000	.BOLT	1	
14	57441-41K00-000	.ADJUSTER,CLUTCH CABLE	1	
15	57442-41K00-000	.NUT,LOCK	1	
16	57661-41K00-000	COVER,CLUTCH LEVER	1	
17	37560-41K00-000	SWITCH ASSY,CLUTCH	1	
18	37562-41K00-000	.SCREW,CLUTCH SWITCH	1	

FIG.472A

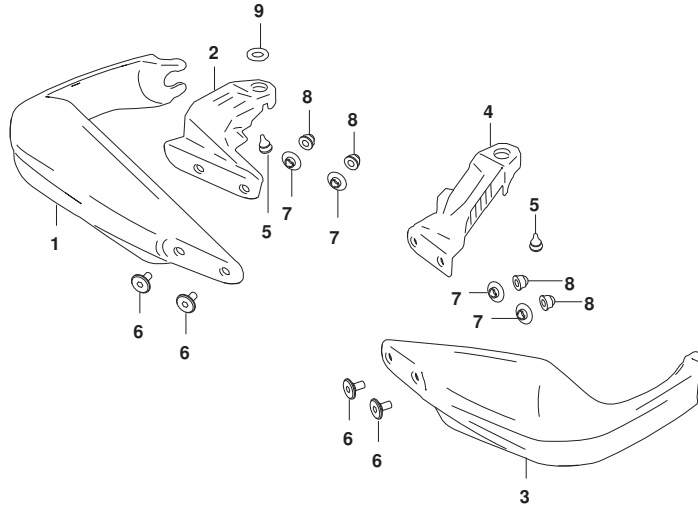


FIG.472A (1-E-9) KNUCKLE COVER

REF NO.	PART NO.	DESCRIPTION	Q'TY	REMARKS
1	57341-41KB0-000	COVER,KNUCKLE,R	1	
2	57472-20L00-000	BRACKET,KNUCKLE COVER,R	1	
3	57541-41KB0-000	COVER,KNUCKLE,L	1	
4	57672-20L00-000	BRACKET,KNUCKLE COVER,L	1	
5	63118-41K00-000	PLUG,REAR FENDER	2	
6	09139-06230-000	SCREW (6X13)	4	
7	09169-06099-000	WASHER	4	
8	08313-2006B-000	NUT	4	
9	08322-0110A-000	WASHER	1	



FIG.474A

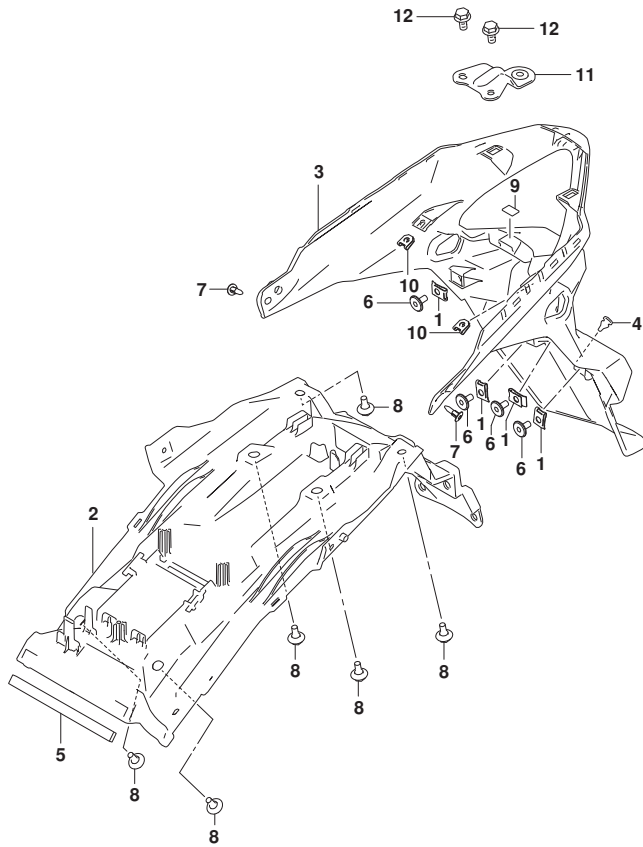


FIG.474A (1-E-10) REAR FENDER

REF NO.	PART NO.	DESCRIPTION	Q'TY	REMARKS
1	35157-34J00-000	NUT (M6)	4	
2	63111-20L00-000	FENDER,REAR FRONT	1	
3	63112-20L00-000	FENDER,REAR REAR	1	
4	63118-41K00-000	PLUG,REAR FENDER	1	
5	63191-34J00-000	CUSHION,REAR FENDER	1	
6	09139-06230-000	SCREW (6X13)	4	
7-1	09409-06346-000	CLIP	2	
7-2	09409-06L07-000	CLIP	2	
8	09111-06102-000	BOLT (6X14.8)	6	
9	94433-05J00-000	CUSHION (10X15X1)	1	
10	09148-05060-000	NUT (M5)	2	
11	47410-20L00-000	BRACKET,REAR COMB LAMP	1	
12	01550-0612A-000	BOLT	2	



FIG.481A

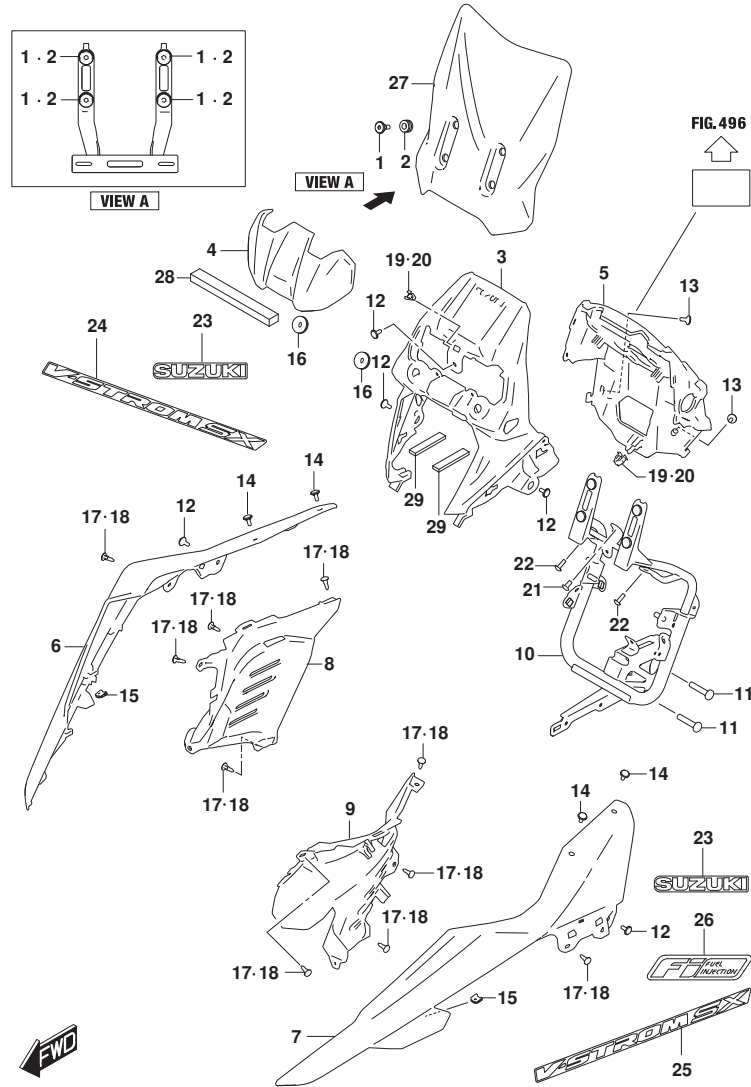


FIG.481A (1-E-11) COWLING BODY

REF NO.	PART NO.	DESCRIPTION	Q'TY	REMARKS
1	09139-06242-000	SCREW	4	
2	09320-09016-000	CUSHION (9X18X9.5)	4	
3	94411-20L00-000	COWLING,BODY	1	
4	94412-20L00-291	COWLING,BODY UPPER (BLACK)	1	
5	94414-20L00-000	COVER,METER	1	
6-1	94421-20L11-YU1	COWLING,SIDE UPPER,R (YELLOW)	1	BODY COLOR:YU1
6-2	94421-20L11-YVB	COWLING,SIDE UPPER,R (BLACK)	1	BODY COLOR:YVB
6-3	94421-20L11-QSB	COWLING,SIDE UPPER,R (RED)	1	BODY COLOR:QSB
7-1	94431-20L11-YU1	COWLING,SIDE UPPER,L (YELLOW)	1	BODY COLOR:YU1
7-2	94431-20L11-YVB	COWLING,SIDE UPPER,L (BLACK)	1	BODY COLOR:YVB
7-3	94431-20L11-QSB	COWLING,SIDE UPPER,L (RED)	1	BODY COLOR:QSB
8	94471-20L00-000	COWLING,INNER,R	1	
9	94481-20L00-000	COWLING,INNER,L	1	
10	94510-20L00-000	BRACE,COWLING	1	
11	94621-34J10-000	BOLT,BRACE COWLING	2	
12	09139-05091-000	SCREW (5X13)	5	
13	09139-05092-000	SCREW (5X13)	2	
14	09139-05096-000	BOLT (5X13)	4	
15	09148-05060-000	NUT (M5)	2	
16	09320-08018-000	CUSHION (8X26X7)	2	
17	09409-06L07-000	CLIP	12	
18	09409-06346-000	CLIP	12	
19	09409-08L09-000	CLIP	2	
20	09409-08014-000	CLIP	2	
21	03541-0512A-000	SCREW	1	
22	03541-0516A-000	SCREW	2	
23-1	68181-20L00-GY8	EMBLEM,SUZUKI (YELLOW,BLACK)	2	BODY COLOR:YU1
23-2	68181-20L00-AJM	EMBLEM,SUZUKI (BLACK,GRAY)	2	BODY COLOR:YVB
23-3	68181-20L00-CWT	EMBLEM,SUZUKI (WHITE,RED)	2	BODY COLOR:QSB
24-1	68182-20L00-CDW	EMBLEM,SIDE COWL,R (BLACK,BLUE ,YELLOW)	1	BODY COLOR:YU1
24-2	68182-20L00-CDU	EMBLEM,SIDE COWL,R (RED,GRAY,B LACK)	1	BODY COLOR:YVB
24-3	68182-20L00-CWS	EMBLEM,SIDE COWL,R (WHITE,BLAC K,RED)	1	BODY COLOR:QSB

FIG.481A

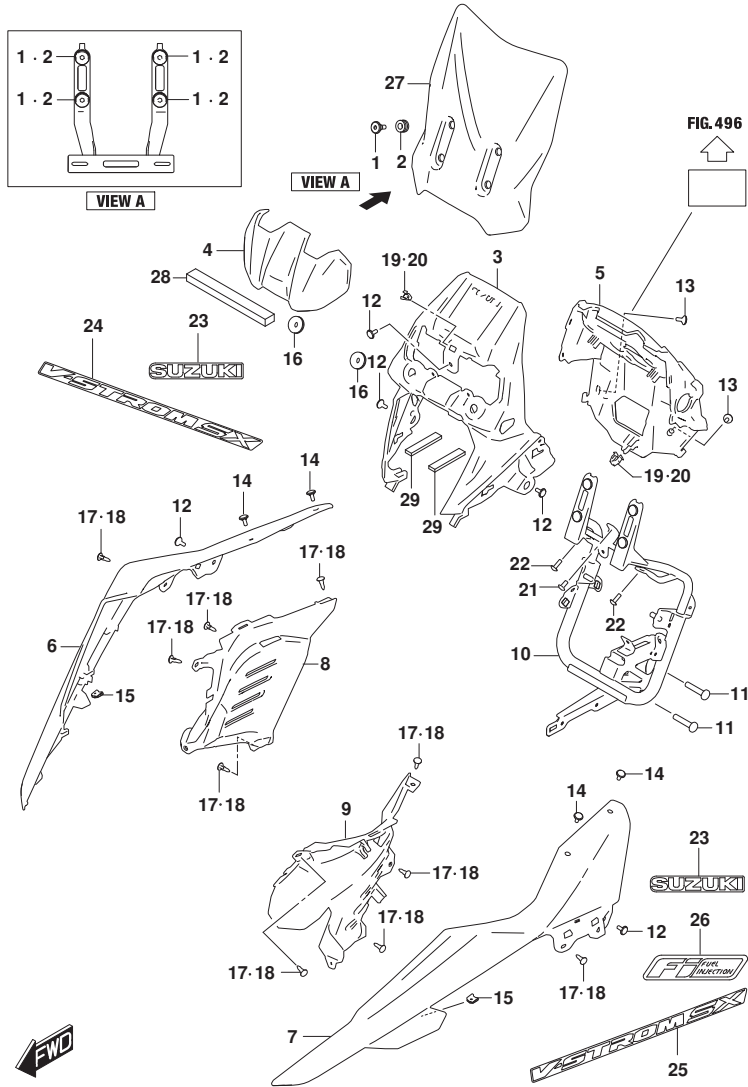


FIG.481A (1-E-12) COWLING BODY

REF NO.	PART NO.	DESCRIPTION	Q'TY	REMARKS
25-1	68192-20L00-CDW	EMBLEM,SIDE COWL,L (BLACK,BLUE ,YELLOW)	1	BODY COLOR:YU1
25-2	68192-20L00-CDU	EMBLEM,SIDE COWL,L (RED,GRAY,B LACK)	1	BODY COLOR:YVB
25-3	68192-20L00-CWS	EMBLEM,SIDE COWL,L (WHITE,BLAC K,RED)	1	BODY COLOR:QSB
26	68281-02L00-000	EMBLEM,FI	1	
27	94611-20L00-000	WINDSCREEN	1	
28	94416-20L00-000	CUSHION (130X10X15)	1	
29	94417-20L00-000	CUSHION	2	

FIG.483A

FIG.483A (1-E-13) UNDER COWLING

REF NO.	PART NO.	DESCRIPTION	Q'TY	REMARKS
1	94570-20L00-000	BRACKET,UNDER COWL NO.1	1	
2	94580-20L00-000	BRACKET,UNDER COWL NO.2	1	
3	01550-0620A-000	BOLT (6X20)	2	
4	94460-20L00-000	COWLING,UNDER	1	
5	09103-06553-000	BOLT	1	
6	09139-06205-000	SCREW	4	
7	09160-06152-000	WASHER (6.5X20X1.2)	2	
8	09180-06382-000	SPACER	4	
9	09320-10078-000	CUSHION (10X20X10)	4	
10	08319-3106B-000	NUT	1	

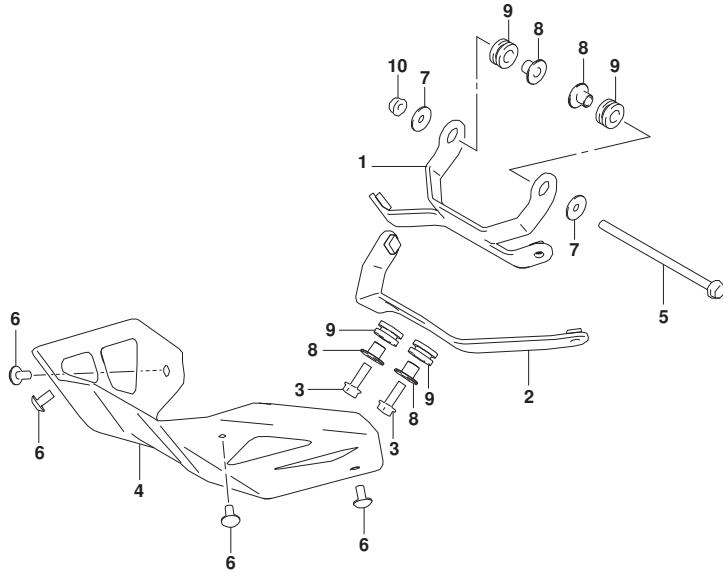


FIG.485A

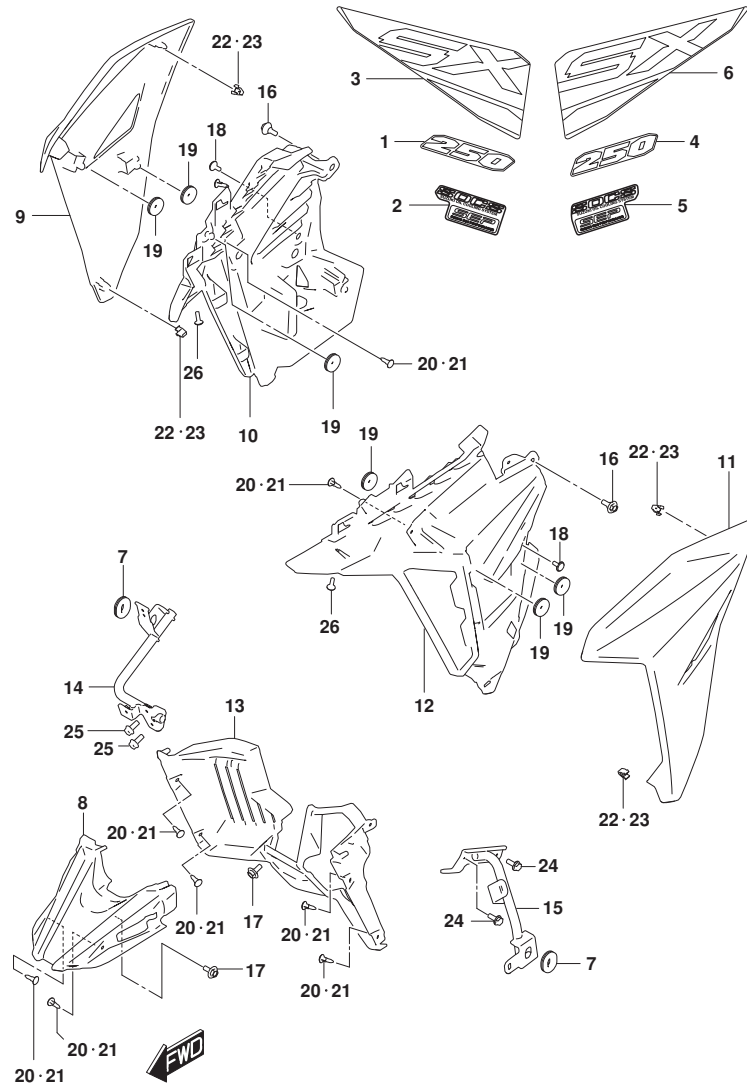


FIG.485A (1-E-14) SIDE COWLING

REF NO.	PART NO.	DESCRIPTION	Q'TY	REMARKS
1-1	68183-20L00-CDZ	EMBLEM,SIDE COVER NO.1,R (BLUE ,YELLOW)	1	BODY COLOR:YU1
1-2	68183-20L00-JSP	EMBLEM,SIDE COVER NO.1,R (BLAC K,RED)	1	BODY COLOR:YVB
1-3	68183-20L00-CWT	EMBLEM,SIDE COVER NO.1,R (WHIT E,RED)	1	BODY COLOR:QSB
2-1	68184-20L00-CD1	EMBLEM,SIDE COVER NO.2,R (SILV ER,YELLOW)	1	BODY COLOR:YU1
2-2	68184-20L00-AA3	EMBLEM,SIDE COVER NO.2,R (GRAY ,BLACK)	1	BODY COLOR:YVB
2-3	68184-20L00-CWT	EMBLEM,SIDE COVER NO.2,R (WHIT E,RED)	1	BODY COLOR:QSB
3-1	68185-20L00-CDT	TAPE,SIDE COVER,R (BLUE,GRAY,Y ELLOW)	1	BODY COLOR:YU1
3-2	68185-20L00-CDU	TAPE,SIDE COVER,R (RED,GRAY,BL ACK)	1	BODY COLOR:YVB
3-3	68185-20L00-CWS	TAPE,SIDE COVER,R (WHITE,BLACK ,RED)	1	BODY COLOR:QSB
4-1	68193-20L00-CDZ	EMBLEM,SIDE COVER NO.1,L (BLUE ,YELLOW)	1	BODY COLOR:YU1
4-2	68193-20L00-JSP	EMBLEM,SIDE COVER NO.1,L (BLAC K,RED)	1	BODY COLOR:YVB
4-3	68193-20L00-CWT	EMBLEM,SIDE COVER NO.1,L (WHIT E,RED)	1	BODY COLOR:QSB
5-1	68194-20L00-CD1	EMBLEM,SIDE COVER NO.2,L (SILV ER,YELLOW)	1	BODY COLOR:YU1
5-2	68194-20L00-AA3	EMBLEM,SIDE COVER NO.2,L (GRAY ,BLACK)	1	BODY COLOR:YVB
5-3	68194-20L00-CWT	EMBLEM,SIDE COVER NO.2,L (WHIT E,RED)	1	BODY COLOR:QSB
6-1	68195-20L00-CDT	TAPE,SIDE COVER,L (BLUE,GRAY,Y ELLOW)	1	BODY COLOR:YU1
6-2	68195-20L00-CDU	TAPE,SIDE COVER,L (RED,GRAY,BL ACK)	1	BODY COLOR:YVB
6-3	68195-20L00-CWS	TAPE,SIDE COVER,L (WHITE,BLACK	1	BODY COLOR:QSB

FIG.485A

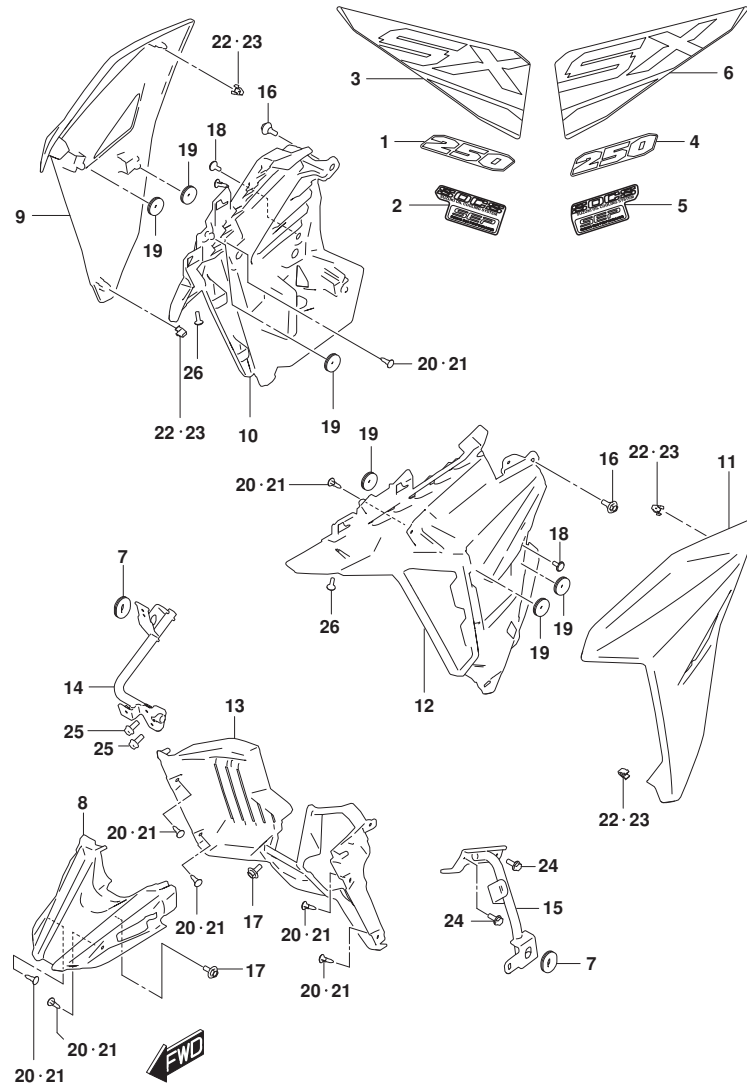


FIG.485A (1-E-15) SIDE COWLING

REF NO.	PART NO.	DESCRIPTION	Q'TY	REMARKS
		,RED)		
7	47315-41K00-000	CUSHION (8-14X26-32X7)	2	
8	94413-20L00-000	COWLING,BODY CTR	1	
9-1	94441-20L00-YU1	COVER,SIDE,R (YELLOW)	1	BODY COLOR:YU1
9-2	94441-20L00-YVB	COVER,SIDE,R (BLACK)	1	BODY COLOR:YVB
9-3	94441-20L00-QSB	COVER,SIDE,R (RED)	1	BODY COLOR:QSB
10	94442-20L00-000	COVER,SIDE INNER,R	1	
11-1	94451-20L00-YU1	COVER,SIDE,L (YELLOW)	1	BODY COLOR:YU1
11-2	94451-20L00-YVB	COVER,SIDE,L (BLACK)	1	BODY COLOR:YVB
11-3	94451-20L00-QSB	COVER,SIDE,L (RED)	1	BODY COLOR:QSB
12	94452-20L00-000	COVER,SIDE INNER,L	1	
13	94491-20L00-000	COWLING,INNER CTR	1	
14	94530-20L00-000	BRACKET,SIDE COWL,R	1	
15	94540-20L00-000	BRACKET,SIDE COWL,L	1	
16	09111-06072-000	BOLT (6X17.8)	2	
17	09111-06102-000	BOLT (6X14.8)	2	
18	09139-05091-000	SCREW (5X13)	2	
19	09320-08018-000	CUSHION (8X26X7)	6	
20	09409-06L07-000	CLIP	8	
21	09409-06346-000	CLIP	8	
22	09409-08L09-000	CLIP	4	
23	09409-08014-000	CLIP	4	
24	01550-0616A-000	BOLT	2	
25	01550-0616B-000	BOLT	2	
26	03541-0516A-000	SCREW	2	

FIG.496A

FIG.496A (1-E-16) LABEL

REF NO.	PART NO.	DESCRIPTION	Q'TY	REMARKS
1	68319-39J00-000	LABEL,GENERAL WARNING	1	ENGLISH
2	68332-20L00-000	LABEL,TIRE INFORMATION	1	

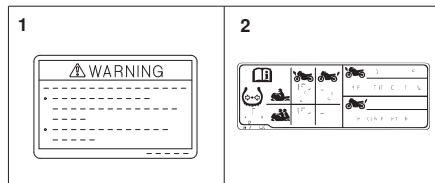
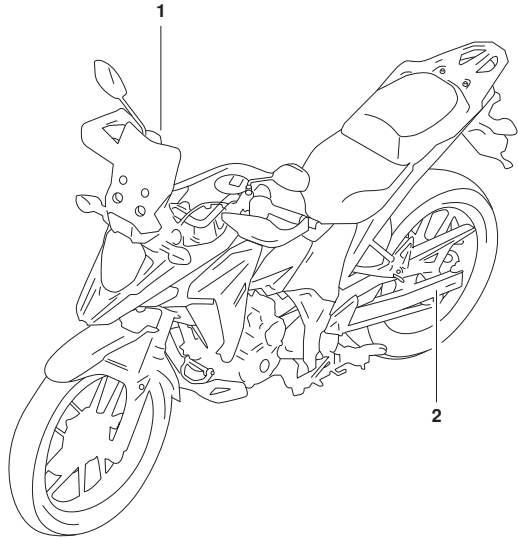


FIG.497A

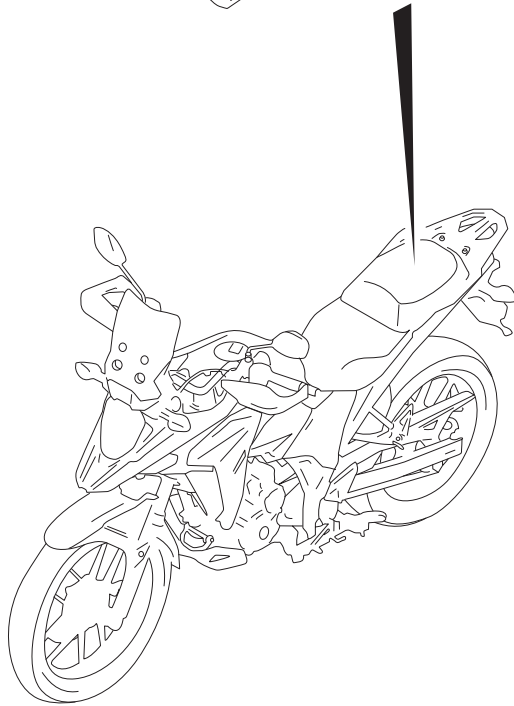
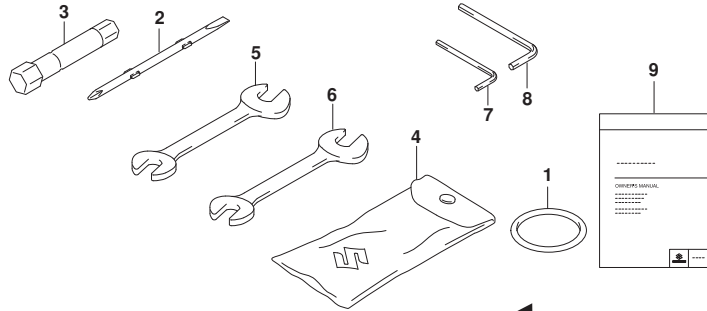


FIG.497A (1-F-2) MANUAL/TOOLS

REF NO.	PART NO.	DESCRIPTION	Q'TY	REMARKS
1	47435-34J00-000	BAND,TOOL	1	
2	96412-33G50-000	DRIVER (+,-)	1	
3	96414-33G50-000	SPANNER,BOX (16)	1	
4	96511-20L00-000	BAG,TOOL	1	
5	96513-23J00-000	SPANNER,OPEN (10X12)	1	
6	96513-23J10-000	SPANNER,OPEN (14X17)	1	
7	96514-23J00-000	SPANNER,HEXAGON (4)	1	
8	96514-23J10-000	SPANNER,HEXAGON (5)	1	
9	99011-20L10-08A	MANUAL,OWNER'S	1	

FIG.505A

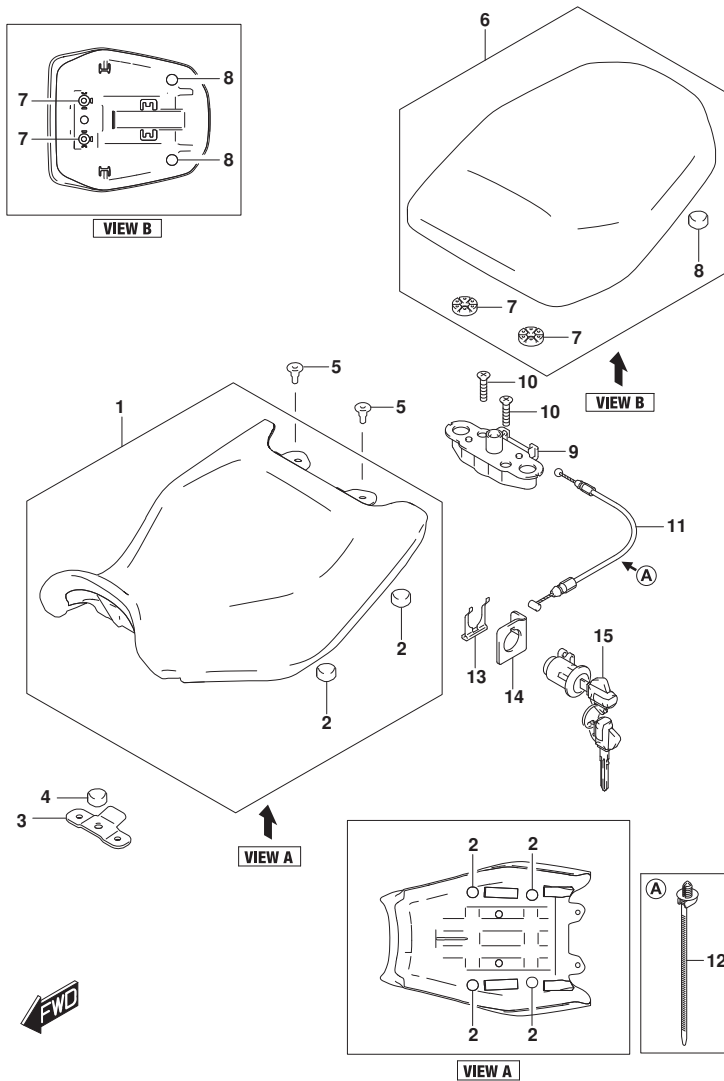


FIG.505A (1-F-3) SEAT

REF NO.	PART NO.	DESCRIPTION	Q'TY	REMARKS
1	45100-20L00-QV4	SEAT ASSY (BLACK)	1	
2	45148-27K00-000	.CUSHION,SEAT MOUNT	4	
3	45316-41K00-000	BRACKET,SEAT FRONT	1	
4	45148-27K00-000	CUSHION,SEAT MOUNT	1	
5	09139-06241-000	BOLT (M6X23)	2	
6	45300-20L00-CDC	SEAT ASSY,PILLION (BLACK,GRAY)	1	
7	45213-28G20-000	.CUSHION,SEAT LOCK STRIKER	2	
8	45148-27K00-000	.CUSHION,SEAT MOUNT	2	
9	45220-28G21-000	BRACKET,SEAT SUPPORT	1	
10	02122-0630A-000	SCREW	2	
11	45280-20L00-000	CABLE,SEAT LOCK	1	
12	09407-17403-000	CLAMP (L:170)	1	
13	45289-11F00-000	PLATE,SEAT LOCK ASSY	1	
14	45288-20L00-000	GUIDE,SEAT LOCK CABLE	1	
15	95700-09870-000	LOCK ASSY,SEAT	1	

FIG.521A

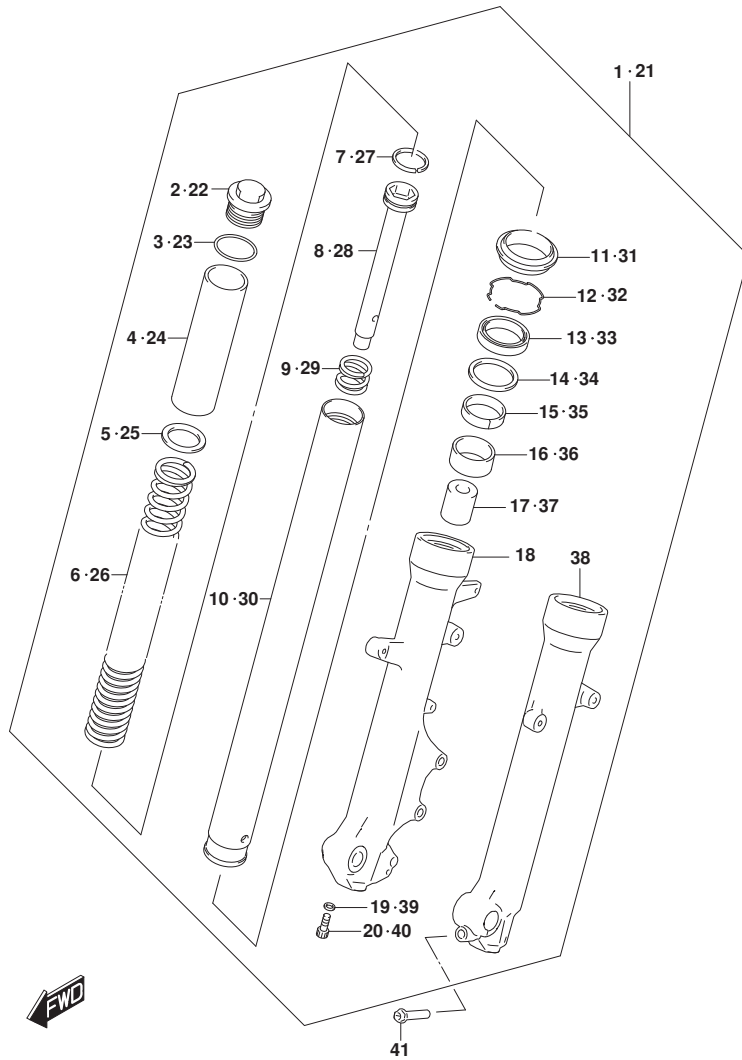


FIG.521A (1-F-4) FRONT FORK DAMPER

REF NO.	PART NO.	DESCRIPTION	Q'TY	REMARKS
1	51103-20L00-291	DAMPER ASSY,FR FORK,R (BLACK)	1	
2	51113-27K00-000	.BOLT	1	
3	51181-34J00-000	.O-RING	1	
4	51176-20L00-000	.SPACER,SPRING UPPER	1	
5	51172-34J00-000	.WASHER	1	
6	51171-20L00-000	.SPRING	1	
7	51196-34J00-000	.RING,PISTON	1	
8	51146-20L00-000	.CYLINDER	1	
9	51177-34J00-000	.SPRING,REBOUND	1	
10	51110-20L00-000	.TUBE,INNER	1	
11	51173-34J00-000	.SEAL,DUST	1	
12	51156-34J00-000	.RING,SNAP	1	
13	51153-34J00-000	.SEAL,OIL	1	
14	51158-34J00-000	.WASHER	1	
15	51167-34J00-000	.METAL,SLIDE	1	
16	51121-34J00-000	.BUSH,SLIDE	1	
17	51195-34J00-000	.PIECE,OIL LOCK	1	
18	51131-20L00-291	.TUBE,OUTER,R (BLACK)	1	
19	51148-34J00-000	.GASKET LOWER	1	
20	51147-41K00-000	.BOLT	1	
21	51104-20L00-291	DAMPER ASSY,FR FORK,L (BLACK)	1	
22	51113-27K00-000	.BOLT	1	
23	51181-34J00-000	.O-RING	1	
24	51176-20L00-000	.SPACER,SPRING UPPER	1	
25	51172-34J00-000	.WASHER	1	
26	51171-20L00-000	.SPRING	1	
27	51196-34J00-000	.RING,PISTON	1	
28	51146-20L00-000	.CYLINDER	1	
29	51177-34J00-000	.SPRING,REBOUND	1	
30	51110-20L00-000	.TUBE,INNER	1	
31	51173-34J00-000	.SEAL,DUST	1	
32	51156-34J00-000	.RING,SNAP	1	
33	51153-34J00-000	.SEAL,OIL	1	
34	51158-34J00-000	.WASHER	1	
35	51167-34J00-000	.METAL,SLIDE	1	

FIG.521A

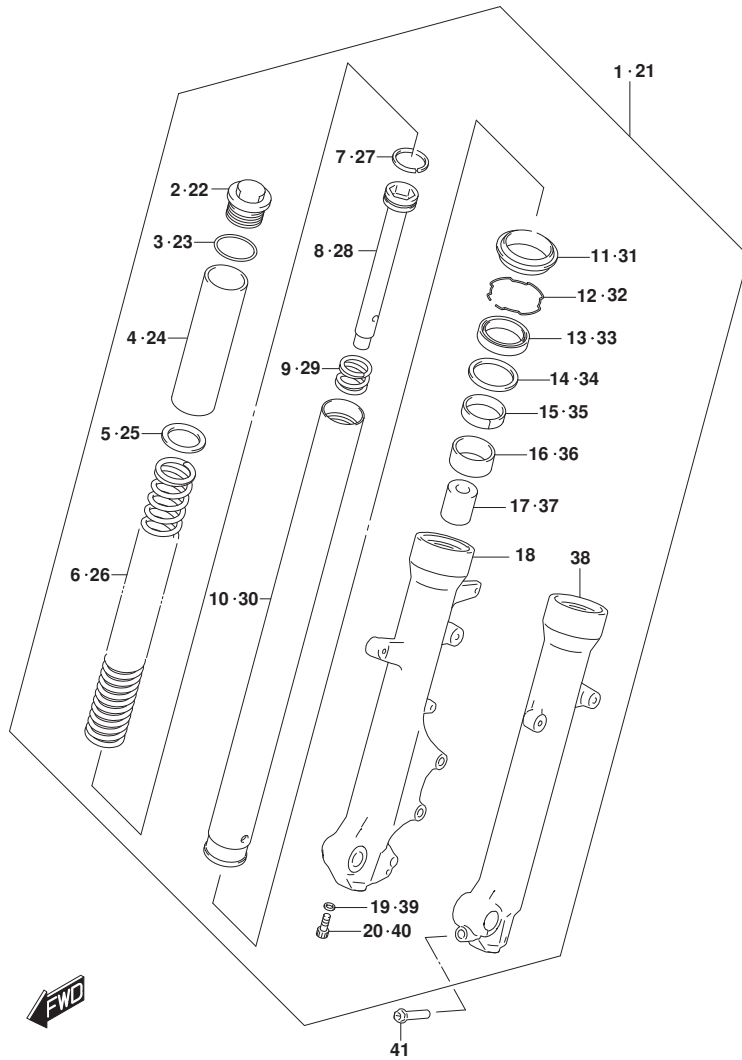


FIG.521A (1-F-5) FRONT FORK DAMPER

REF NO.	PART NO.	DESCRIPTION	QTY	REMARKS
36	51121-34J00-000	.BUSH,SLIDE	1	
37	51195-34J00-000	.PIECE,OIL LOCK	1	
38	51141-20L00-291	.TUBE,OUTER,L (BLACK)	1	
39	51148-34J00-000	.GASKET LOWER	1	
40	51147-41K00-000	.BOLT	1	
41	51147-34J00-000	BOLT	1	

FIG.524A

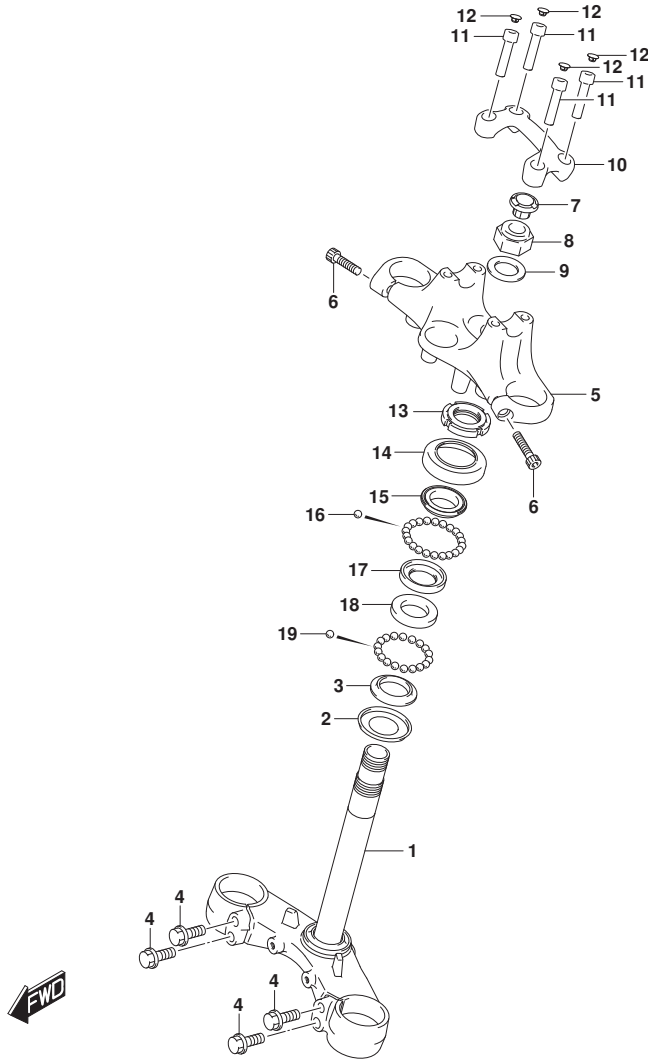


FIG.524A (1-F-6) STEERING STEM

REF NO.	PART NO.	DESCRIPTION	Q'TY	REMARKS
1	51410-20L00-000	BRACKET,FR FORK LOWER	1	
2	51644-41K00-000	SEAL,STEERING LOWER	1	
3	51622-41K00-000	RACE,STEERING OUTER LWR	1	
4	51434-41K00-000	BOLT,FR FORK LOWER BRACKET	4	
5	51311-20L00-291	BRACKET,FR FORK UPPER (BLACK)	1	
6	51328-34J00-000	BOLT	2	
7	51344-41K00-000	CAP,STEERING STEM	1	
8	51353-41K00-000	NUT,STEERING STEM TOP	1	
9	51356-34J00-000	WASHER	1	
10	51331-41K00-291	HOLDER,HANDLE UPPER (BLACK)	1	
11	51321-41K00-000	BOLT,HANDLE HOLDER UPPER	4	
12	56246-41K00-000	CAP,HANDLEBAR BOLT	4	
13	51631-28000-000	NUT,STEERING STEM (25X44X10)	1	
14	51643-25001-000	DUST SEAL,STEERING UPR	1	
15	51621-28000-000	RACE,STEERING OUTER UPR	1	
16	06111-06003-000	BALL	22	
17	51611-20002-000	RACE,STEERING INNER UPR	1	
18	51611-33002-000	RACE,STEERING INNER LWR	1	
19	06111-08004-000	BALL	18	

FIG.530A

FIG.530A (1-F-7) FRONT WHEEL

REF NO.	PART NO.	DESCRIPTION	Q'TY	REMARKS
1	54111-20L01-QC3	WHEEL,FR (19M/CXMT2.50,BLACK)	1	
2	54731-41K00-000	SPACER,FRONT HUB BEARING	1	
3	54841-48H10-000	SEAL,WHEEL DUST	2	
4	08123-6302B-000	BEARING	2	
5	43130-24A70-000	VALVE ASSY,WHEEL RIM (TR412)	1	
6	55110-20L01-000	TIRE,FRONT (100/90-19 M/C 57S)	1	MOGRIP METEOR-FM2,MRF
7	54711-41K00-000	AXLE,FRONT	1	
8	54751-41K00-000	SPACER,FRONT AXLE RH	1	
9	59211-20L00-000	DISC,FRONT BRAKE	1	
10	59218-34J20-000	BOLT,FRONT BRAKE DISC	5	
11	54162-20L00-000	RING,SPEED SENSOR FR (58T)	1	
12	07130-0512A-000	BOLT	5	
13-1	55411-41K00-000	BALANCER,WHEEL NO.1 (10G)	AR	
13-2	55412-41K00-000	BALANCER,WHEEL NO.2 (20G)	AR	
13-3	55413-41K00-000	BALANCER,WHEEL NO.3 (30G)	AR	

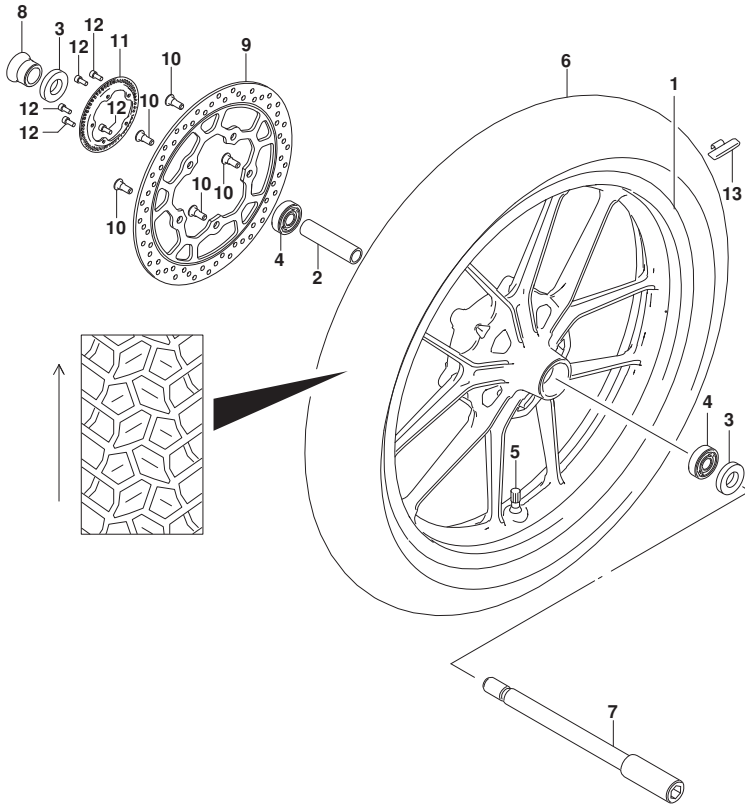


FIG.533A

FIG.533A (1-F-8) HYDRAULIC UNIT

REF NO.	PART NO.	DESCRIPTION	Q'TY	REMARKS
1	55610-20L00-000	UNIT ASSY, HYDRAULIC ABS	1	
2	55660-41K00-000	HOLDER, HYDR UNIT ABS	1	
3	01547-0612B-000	BOLT	2	
4	55661-34J00-000	BOLT	2	
5	55662-10G00-000	SPACER, HYDR UNIT MTG (#05)	2	
6	55663-34J00-000	RUBBER, HYDR UNIT MTG	2	
7	55710-20L00-000	SENSOR, FR WHEEL SPEED	1	
8	01547-0616B-000	BOLT	1	
9	55741-20L00-000	GUIDE, SENSOR LEAD	1	
10	01547-0612B-000	BOLT	1	
11	65710-20L00-000	SENSOR, RR WHEEL SPEED	1	
12	01547-0616B-000	BOLT	2	
13	65741-41K00-000	GUIDE, RR WHL SPEED SENSOR LEAD	1	
14	09407-14407-000	CLAMP (L:145)	6	
15	55734-27K00-000	CLAMP, SENSOR	3	

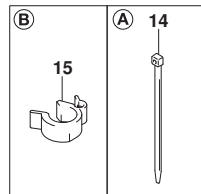
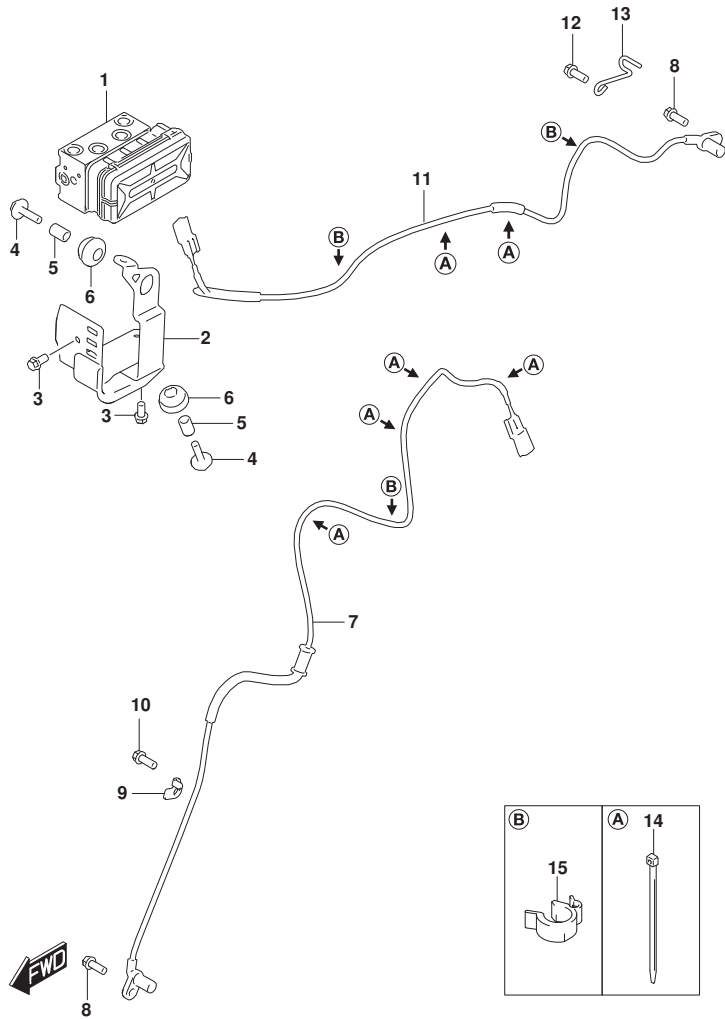


FIG.535A

FIG.535A (1-F-9) FRONT CALIPER

REF NO.	PART NO.	DESCRIPTION	Q'TY	REMARKS
1	59100-34J80-000	CALIPER ASSY,FRONT,R	1	
2	59100-34870-000	.PISTON SET	1	
3	59100-34860-000	..SEAL SET,PISTON	1	
4	59140-34810-000	.PAD SET	1	
5	59141-34J10-000	.PIN	1	
6	59746-34J00-000	.CLIP	2	
7	59315-34J00-000	.SPRING	1	
8	59108-34J00-000	.DUST COVER	1	
9	59109-34J00-000	.INSULATOR	1	
10	59351-34J00-000	.BRACKET	1	
11	59187-34J00-000	..PIN	1	
12	59188-34J00-000	..SPACER	1	
13	59382-34J00-000	..PIN	1	
14	59145-34J00-000	..STOPPER	1	
15	59665-34J00-000	..CIRCLIP	1	
16	59121-30H00-000	.SCREW,BLEEDER	1	
17	59122-30H00-000	.CAP,BLEEDER	1	
18	01550-0835A-000	BOLT (8X35)	2	

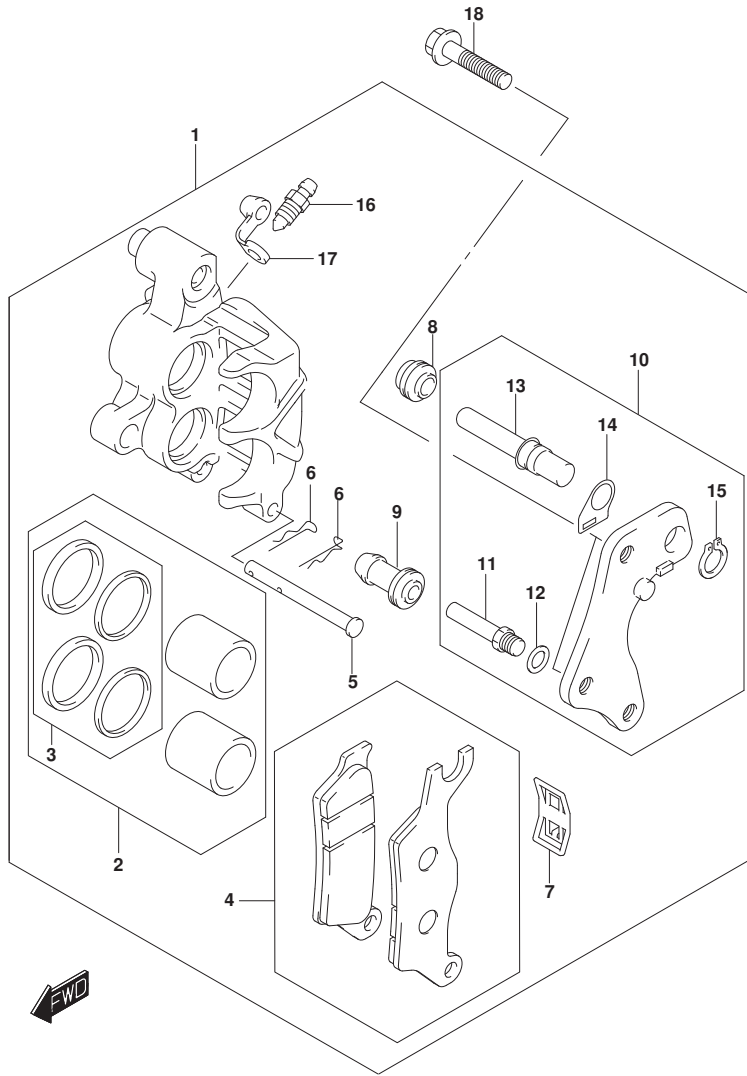


FIG.536A

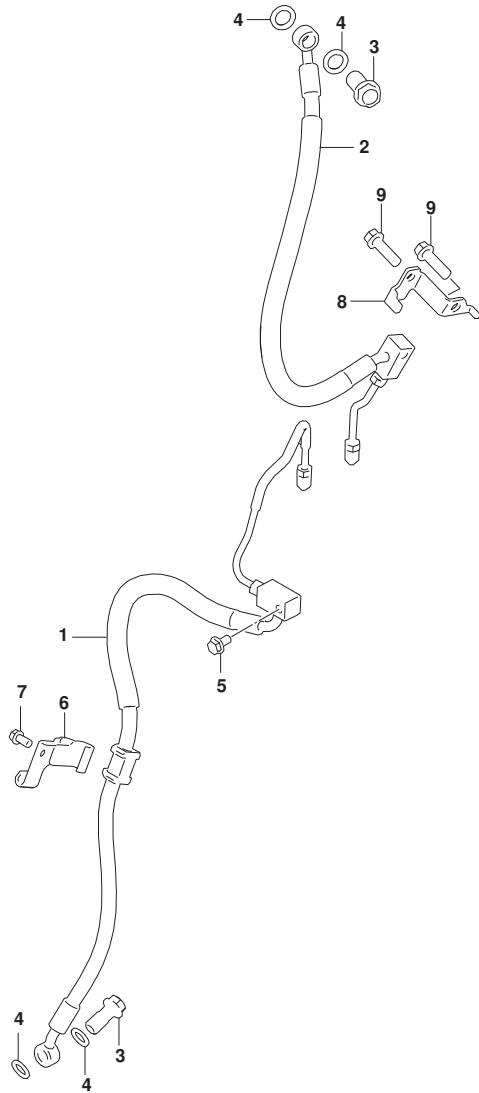


FIG.536A (1-F-10) FRONT BRAKE HOSE

REF NO.	PART NO.	DESCRIPTION	Q'TY	REMARKS
1	59400-20L00-000	HOSE ASSY,UNIT TO FR BK CLPR	1	
2	59200-20L00-000	HOSE ASSY,FR BK MASTER TO UNIT	1	
3	59492-30H40-000	BOLT,BRAKE FLUID (M10X1.25)	2	
4	59502-30H00-000	WASHER,BRAKE FLUID	4	
5	01547-0612B-000	BOLT	1	
6	59260-20L00-000	CLAMP,FR BRAKE HOSE	1	
7	01547-0612B-000	BOLT	1	
8	59541-41K10-000	CLAMP,FR BRAKE HOSE	1	
9	01547-0620B-000	BOLT	2	

FIG.537A

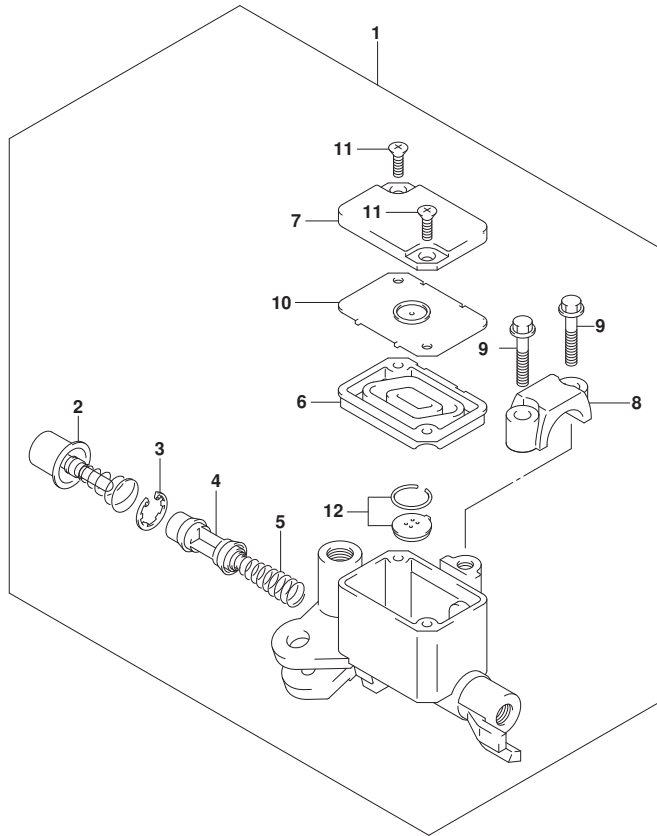


FIG.537A (1-F-11) FRONT MASTER CYLINDER

REF NO.	PART NO.	DESCRIPTION	Q'TY	REMARKS
1	59600-30H50-000	CYLINDER ASSY,FRONT MASTER	1	
2	59870-30H00-000	.PUSH ROD ASSY	1	
3	59665-30H00-000	.CIRCLIP	1	
4	59610-30H00-000	.PISTON ASSY	1	
5	57318-30H00-000	.SPRING	1	
6	59667-12K00-000	.DIAPHRAGM	1	
7	59687-23K00-000	.COVER	1	
8	59671-30H00-000	.CLAMP	1	
9	59688-30H00-000	.SCREW	2	
10	59668-30H00-000	.PLATE,DIAPHRAGM	1	
11	59691-30H00-000	.FLAT SCREW	2	
12	59669-30H00-000	.CAP	1	



FIG.541A

FIG.541A (1-F-12) REAR SWINGARM

REF NO.	PART NO.	DESCRIPTION	Q'TY	REMARKS
1	61100-20L10-000	SWINGARM,REAR	1	
2	61280-41K00-000	SPACER,RR SWGARM PIVOT	1	
3	09263-22077-000	BEARING (22X29X30)	2	
4	61251-41K00-000	SPACER,RR SWGARM PIVOT BEARING	2	
5	09160-14079-000	WASHER (14X34X1)	2	
6	61262-41K00-000	COVER,RR SWGARM PIVOT DUST	2	
7	08319-2114A-000	NUT	1	
8	09160-14078-000	WASHER (14.5X29X2.3)	1	
9	61211-30H00-000	SHAFT,RR SWINGARM PIVOT	1	
10	61273-41K00-000	BUFFER,CHAIN TOUCH DEFENSE	1	
11	09111-06072-000	BOLT (6X17.8)	1	

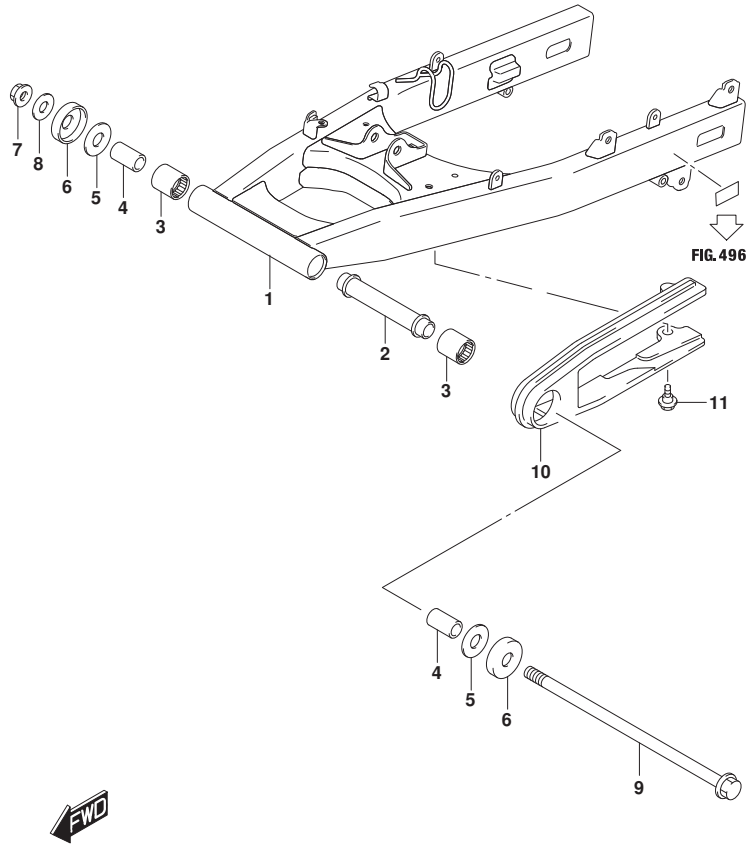


FIG.542A

FIG.542A (1-F-13) CHAIN CASE

REF NO.	PART NO.	DESCRIPTION	Q'TY	REMARKS
1	61311-20L00-000	CASE,CHAIN	1	
2	09111-06107-000	BOLT (6X12)	4	

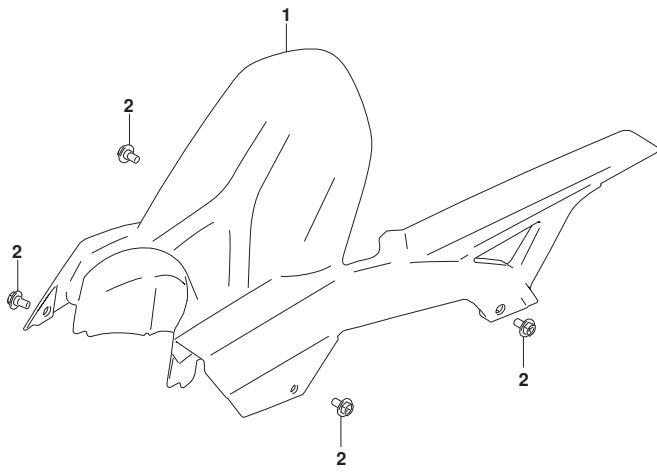


FIG.545A

FIG.545A (1-F-14) REAR SHOCK ABSORBER

REF NO.	PART NO.	DESCRIPTION	Q'TY	REMARKS
1	62100-20L00-28W	ABSORBER ASSY,REAR SHOCK (WHIT E)	1	
2	62658-47H00-000	BOLT,RR CUSHION LEVER	1	
3	09159-12085-000	NUT	1	
4	09160-12131-000	WASHER (12.3X24X2.3)	1	
5	62668-30B00-000	BOLT,RR CUSHION LEVER FR (12X6 0)	1	

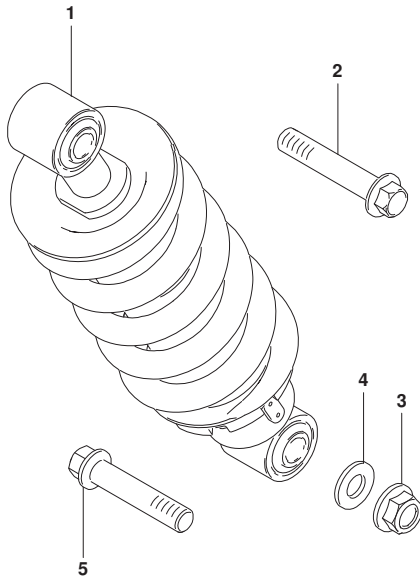


FIG.550A

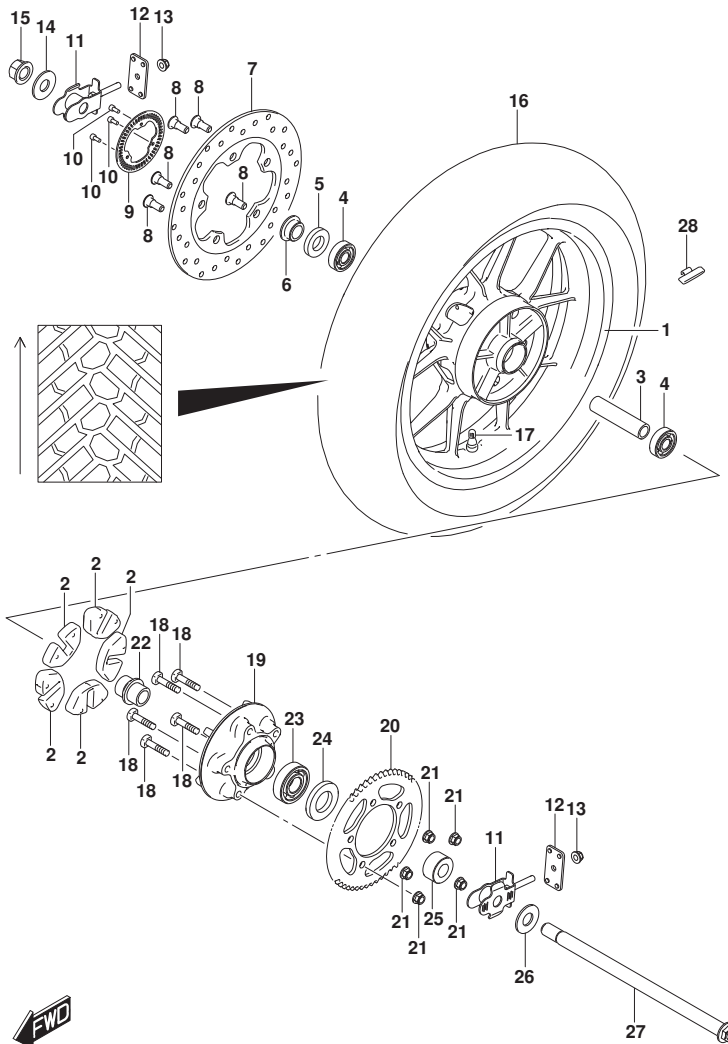


FIG.550A (1-F-15) REAR WHEEL

REF NO.	PART NO.	DESCRIPTION	Q'TY	REMARKS
1	64111-20L01-QC3	WHEEL,REAR (17M/CXMT4.00,BLACK)	1	
2	64651-20L00-000	ABSORBER,REAR HUB SHOCK	5	
3	64731-41K00-000	SPACER,REAR WHEEL HUB BEARING	1	
4	08123-6303B-000	BEARING	2	
5	64841-41K00-000	SEAL,REAR HUB BEARING	1	
6	64741-41K00-000	SPACER,REAR AXLE RH	1	
7	69211-20L00-000	DISC,REAR BRAKE	1	
8	59218-34J20-000	BOLT,FRONT BRAKE DISC	5	
9	54162-41K00-000	RING,SPEED SENSOR FR (50T)	1	
10	07130-0512A-000	BOLT	3	
11	61410-41K00-000	ADJUSTER,CHAIN	2	
12	61421-41K00-000	PLATE,CHAIN ADJUSTER GUIDE	2	
13	08319-3108A-000	NUT	2	
14	61445-41K00-000	WASHER,REAR AXLE RH	1	
15	64721-41K00-000	NUT,REAR AXLE	1	
16	65110-20L01-000	TIRE,REAR (140/70-17 M/C 66S)	1	MOGRIP METEOR-M,MRF
17	43130-24A70-000	VALVE ASSY,WHEEL RIM (TR412)	1	
18	64541-41K00-000	BOLT,REAR SPROCKET	5	
19	64611-01D10-000	DRUM,REAR SPROCKET	1	
20	64511-41K00-000	SPROCKET,REAR (NT:40)	1	
21	08319-3110A-000	NUT	5	
22	64733-01D00-000	RETAINER,RR SPROCKET DRUM	1	
23	08133-6305B-000	BEARING	1	
24	64831-41K00-000	SEAL,REAR SPROCKET DRUM OIL	1	
25	64751-41K00-000	SPACER,REAR AXLE LH	1	
26	61455-41K00-000	WASHER,REAR AXLE LH	1	
27	64711-41K00-000	AXLE,REAR	1	
28-1	55411-41K00-000	BALANCER,WHEEL NO.1 (10G)	AR	
28-2	55412-41K00-000	BALANCER,WHEEL NO.2 (20G)	AR	
28-3	55413-41K00-000	BALANCER,WHEEL NO.3 (30G)	AR	

FIG.555A

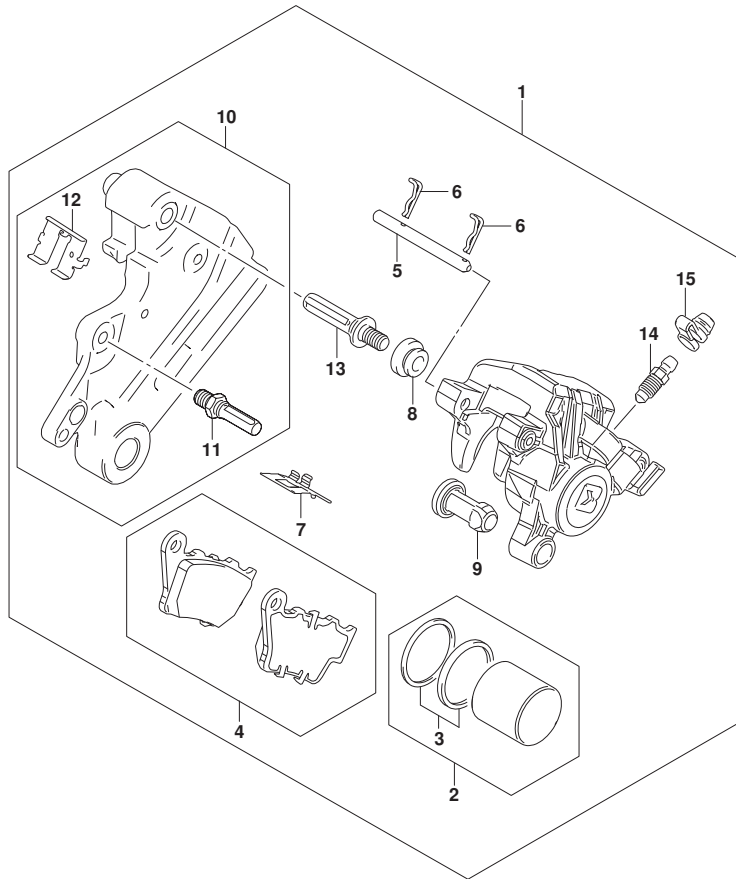


FIG.555A (1-F-16) REAR CALIPER

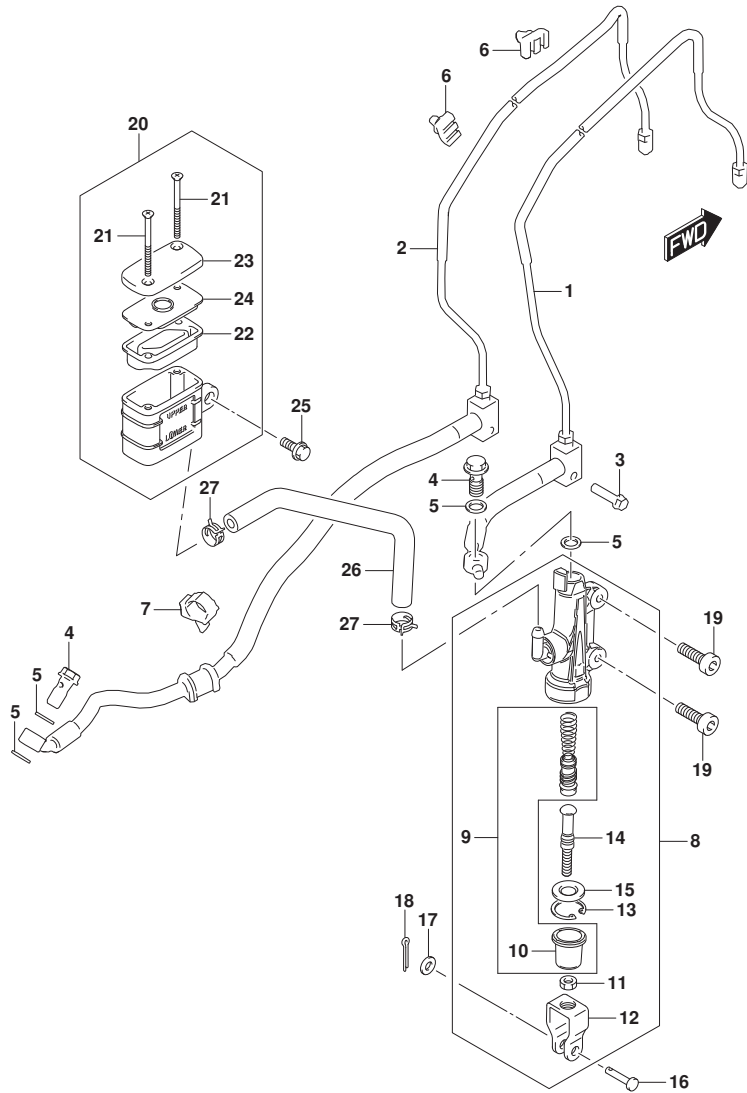
REF NO.	PART NO.	DESCRIPTION	Q'TY	REMARKS
1	69100-20L10-000	CALIPER ASSY,REAR	1	
2	69100-27870-000	.PISTON SET	1	
3	69100-27860-000	..SEAL SET	1	
4	69100-27890-000	.PAD SET	1	
5	69345-27K00-000	.PIN,PAD	1	
6	69746-27K00-000	.CLIP	2	
7	69115-27K00-000	.SPRING,PAD	1	
8	59108-34J00-000	.DUST COVER	1	
9	59109-34J00-000	.INSULATOR	1	
10	69720-20L00-000	.BRACKET	1	
11	59187-34J00-000	..PIN	1	
12	69116-27K00-000	..RETAINER	1	
13	69187-27K00-000	.PIN	1	
14	59121-30H00-000	.SCREW,BLEEDER	1	
15	59122-30H00-000	.CAP,BLEEDER	1	



FIG.558A

FIG.558A (1-G-2) REAR MASTER CYLINDER

REF NO.	PART NO.	DESCRIPTION	Q'TY	REMARKS
1	69200-20L00-000	HOSE ASSY,RR BK MASTER TO UNIT	1	
2	69400-20L00-000	HOSE ASSY,UNIT TO RR BK CLPR	1	
3	01547-0630A-000	BOLT	1	
4	59492-30H40-000	BOLT,BRAKE FLUID (M10X1.25)	2	
5	59502-30H00-000	WASHER,BRAKE FLUID	4	
6	09403-07410-000	CLAMP	2	
7	09403-17311-000	CLAMP	1	
8	69600-41K00-000	CYLINDER ASSY,REAR MASTER	1	
9	69600-41810-000	.PISTON/CUP SET	1	
10	69666-27K00-000	.BOOT	1	
11	69692-41K00-000	.YOKE	1	
12	69693-27K00-000	.NUT	1	
13	69665-27K00-000	.CIRCLIP	1	
14	69671-41K00-000	.ROD,PUSH	1	
15	69872-27K00-000	.GUIDE,ROD	1	
16	09200-06037-000	PIN (6X17.7)	1	
17	08322-0106A-000	WASHER	1	
18	04111-2015A-000	PIN	1	
19	07130-0625A-000	BOLT (6X25)	2	
20	69740-27K00-000	TANK ASSY,RR RESERVOIR	1	
21	69689-27K00-000	.SCREW	2	
22	69667-27K00-000	.DIAPHRAGM	1	
23	69669-27K00-000	.CAP	1	
24	69668-27K00-000	.PLATE,DIAPHRAGM	1	
25	01550-0612A-000	BOLT	1	
26	69731-41K00-000	HOSE,RR RESERVOIR TANK	1	
27	59735-27K00-000	CLIP	2	



PART NO.	FIG.NO.-REF.NO.	PART NO.	FIG.NO.-REF.NO.	PART NO.	FIG.NO.-REF.NO.	
10000		12800-35820-000	126A-18	12892-41C00-245	126A-17-39	
		12811-41K00-000	127A-3	12892-41C00-248	126A-17-40	
		12812-35C00-000	127A-4-1	12892-41C00-250	126A-17-41	
		12812-41K10-000	127A-4-2	12892-41C00-252	126A-17-42	
		12830-41K00-000	127A-5	12892-41C00-255	126A-17-43	
	11100-41K00-000	103A-1	12835-41K00-000	127A-6	12892-41C00-258	126A-17-44
	11141-41K00-000	103A-11	12836-41K00-000	127A-7	12892-41C00-260	126A-17-45
	11171-41K00-000	102A-1	12837-24A30-000	127A-8	12892-41C00-262	126A-17-46
	11173-41K00-000	102A-2	12841-41K00-000	126A-6	12892-41C00-265	126A-17-47
	11181-41K00-000	103A-4	12851-41K00-000	126A-7	12892-41C00-268	126A-17-48
11182-41K00-000	103A-5	12860-41K00-000	126A-8	12892-41C00-270	126A-17-49	
11191-27E00-000	102A-4	12867-41K00-000	126A-9	12892-41C00-272	126A-17-50	
11210-41K00-0F0	107A-1	12892-35G00-150	126A-17-1	12892-41C00-275	126A-17-51	
11241-41K00-000	107A-2	12892-35G00-152	126A-17-2	12892-41C00-278	126A-17-52	
11300-41881-000	108A-1	12892-35G00-155	126A-17-3	12892-41C00-280	126A-17-53	
11323-41K00-000	108A-7	12892-35G00-158	126A-17-4	12892-41C00-282	126A-17-54	
11340-41K00-000	112A-1	12892-35G00-160	126A-17-5	12892-41C00-285	126A-17-55	
11351-41K00-000	112A-12	12892-35G00-162	126A-17-6	12892-41C00-288	126A-17-56	
11352-41K00-000	112A-22	12892-35G00-165	126A-17-7	12892-41C00-290	126A-17-57	
11353-41K00-000	112A-23	12892-35G00-168	126A-17-8	12892-41C00-292	126A-17-58	
11360-41K00-000	112A-25	12892-35G00-170	126A-17-9	12892-41C00-295	126A-17-59	
11390-41K00-000	108A-9	12892-35G00-172	126A-17-10	12892-41C00-298	126A-17-60	
11482-41K00-000	112A-3	12892-35G00-175	126A-17-11	12892-41C00-300	126A-17-61	
11483-41K00-000	112A-13	12892-35G00-178	126A-17-12	12911-41K00-000	126A-10	
11971-30H00-000	112A-10	12892-35G00-180	126A-17-13	12912-41K00-000	126A-11	
11971-45010-000	112A-2	12892-35G00-182	126A-17-14	12921-41K00-000	126A-13	
12100-41K10-050	120A-18	12892-35G00-185	126A-17-15	12931-41K00-000	126A-15	
12111-41K10-0F0	120A-14	12892-35G00-188	126A-17-16	12932-09G10-000	126A-16	
12140-41K20-000	120A-15	12892-35G00-190	126A-17-17	12933-09G00-000	126A-12	
12151-41K00-000	120A-16	12892-35G00-192	126A-17-18	13110-41K00-000	140A-11	
12200-41K00-000	120A-1	12892-35G00-195	126A-17-19	13121-41K00-000	140A-16	
12541-41K10-000	120A-19	12892-35G00-198	126A-17-20	13128-41K00-000	140A-12	
12600-41870-000	122A-5	12892-35G00-200	126A-17-21	13170-41K00-000	140A-17	
12611-41K00-000	122A-1	12892-35G00-202	126A-17-22	13400-41K00-000	140A-1	
12612-41K00-000	122A-3	12892-35G00-205	126A-17-23	13417-09JA0-000	140A-2	
12616-41K00-000	122A-4	12892-35G00-208	126A-17-24	13421-42J00-000	140A-3	
12651-41K00-000	124A-1	12892-35G00-210	126A-17-25	13438-09JA0-000	140A-4	
12661-41K00-000	120A-2	12892-35G00-212	126A-17-26	13602-06128-000	140A-5	
12662-41K00-000	124A-3	12892-35G00-215	126A-17-27	13640-41K00-000	107A-4	
12662-41K10-000	124A-4	12892-35G00-218	126A-17-28	13700-41810-000	155A-6	
12663-41K00-000	124A-13	12892-35G00-220	126A-17-29	13700-41K20-000	155A-1	
12666-41K00-000	124A-2	12892-35G00-222	126A-17-30	13725-41K00-000	155A-2	
12668-34J00-000	124A-7	12892-35G00-225	126A-17-31	13740-41K00-000	155A-3	
12669-41K00-000	124A-5	12892-35G00-228	126A-17-32	13746-41K00-000	155A-4	
12710-41K10-000	126A-1	12892-41C00-230	126A-17-33		155A-7	
12731-41K00-000	120A-7	12892-41C00-232	126A-17-34	13761-41K00-000	155A-5	
12741-41K00-000	126A-3	12892-41C00-235	126A-17-35	13826-41K00-000	155A-10	
12742-41K00-000	126A-5	12892-41C00-238	126A-17-36	13841-20L00-000	155A-17	
12760-41K00-000	127A-1	12892-41C00-240	126A-17-37	13853-41K00-000	155A-12	
12771-41K00-000	127A-2	12892-41C00-242	126A-17-38	13859-41B10-000	155A-14	

PART NO.	FIG.NO.-REF.NO.	PART NO.	FIG.NO.-REF.NO.	PART NO.	FIG.NO.-REF.NO.
13881-41K00-000	155A-8	21111-41KA0-000	120A-8	25652-05J00-000	212A-27
13891-41K00-000	155A-9	21112-41KA0-000	120A-9	25671-28G00-000	212A-19
14181-14D10-000	163A-2	21114-41K00-000	120A-10	25711-41K00-000	206A-30
14310-41K02-000	163A-1	21200-41KA0-000	201A-1	25731-41K00-000	206A-29
14761-20L00-000	163A-19	21251-41K10-000	201A-3	27610-41K00-114	206A-33
14780-20L00-000	163A-4	21411-41K00-000	201A-4	27620-41K00-000	206A-34
14791-20L00-000	163A-18	21441-41K00-000	201A-10		
14795-10FA0-000	163A-9	21442-41K00-000	201A-9		
15100-41K00-000	172A-1	21451-41K00-000	201A-11		
15121-34JB1-000	172A-4	21462-41K00-000	201A-12		
15201-34JB0-000	172A-5	21471-41K00-000	201A-7		
15420-34JB0-000	172A-2	21472-41K00-000	201A-8		
15424-09JB0-000	172A-3	21481-41K01-000	201A-13		
15710-41K00-000	140A-6	21482-41K00-000	201A-14		
15719-41K00-000	140A-10	23121-41K00-000	201A-15		
15720-41820-000	140A-7	23122-41K00-000	201A-18	31100-41K00-000	301A-1
15810-41K00-000	172A-6	23271-41K00-000	201A-22	31150-41K00-000	301A-2
15830-41K00-000	140A-8	24121-41KA0-000	206A-1	31156-41K00-000	301A-3
16331-41K11-000	170A-2	24130-41KA0-000	206A-7	31175-41K00-000	301A-4
16400-41K00-000	170A-1	24221-41KA0-000	206A-2	31264-41K00-000	301A-6
16413-41K00-000	170A-8	24231-41KA0-000	206A-3	31280-41K00-000	301A-5
16421-41K00-000	170A-3	24251-41KA0-000	206A-6	31800-34J02-000	311A-1
16460-41K00-000	178A-7	24252-41KA0-000	206A-5	32101-41K00-000	303A-1
16470-41K00-000	178A-8	24261-41KA0-000	206A-4	32102-41K00-000	303A-2
16510-33G10-000	170A-12	24311-41KA0-000	206A-8	32371-41K00-000	303A-3
16512-23J20-000	170A-14	24321-41KA0-000	206A-10	32371-41K10-000	303A-4
16519-09J10-000	170A-16	24331-41KA0-000	206A-11	32491-41K00-000	303A-5
16520-09440-000	170A-11	24341-41KA0-000	206A-12	32800-20K30-000	313A-1
16600-41K00-000	178A-1	24351-41KA0-000	206A-14	32832-41K00-000	313A-2
16650-20L00-000	178A-13	24361-41KA0-000	206A-13	32852-41K00-000	313A-3
16800-41K00-000	178A-3	24741-20A10-000	206A-26	32920-20L00-000	322A-1
17802-41K00-000	178A-2		212A-7	33410-41K00-000	316A-1
18117-73M00-000	427A-15	24751-41K00-000	206A-24	33414-41K00-000	316A-2
18213-41K01-000	163A-17	25211-14D10-000	212A-1	33510-41K00-000	316A-5
18560-27KA0-000	427A-1	25231-14D10-000	212A-2	33541-08K00-000	316A-6
18561-41K00-000	427A-7	25311-41K00-000	212A-5	33542-30H00-000	316A-7
18562-41K00-000	427A-8	25350-34J20-000	212A-9	33620-41K12-000	310A-1
18563-41K00-000	427A-13	25355-34J10-000	212A-12	33624-41K00-000	310A-5
18568-41K00-000	427A-9	25357-34J00-000	212A-10	33652-29101-000	310A-2
18570-41K00-000	140A-15	25381-34J00-000	212A-13	33810-41K10-000	310A-4
18571-41K00-000	427A-4	25411-48H00-000	212A-3	33820-41K00-000	310A-6
18572-29J00-000	427A-5	25421-14D10-000	212A-4	33860-41K00-000	310A-7
		25510-41K00-000	212A-16	33960-27G00-000	322A-2
		25512-28G10-000	212A-25	34100-20LA2-000	330A-1
		25518-41K00-000	212A-18	34189-34J00-000	330A-2
			212A-20	34810-20L00-000	172A-8
		25520-41K11-000	212A-21	35100-20L01-000	333A-1
		25525-20L00-000	212A-24	35157-34J00-000	474A-1
		25600-41K10-000	212A-26	35159-20L00-000	333A-2
		25617-03F20-000	212A-34	35222-34J80-000	334A-2

20000

30000

PART NO.	FIG.NO.-REF.NO.	PART NO.	FIG.NO.-REF.NO.	PART NO.	FIG.NO.-REF.NO.
35601-20LE0-000	334A-8		350A-3	44283-20L00-000	423A-9
35602-20LE0-000	334A-1	39105-44K41-000	350A-19	44284-20L00-000	423A-10
35603-20L50-000	334A-7			44285-20L00-000	423A-11
35604-20L50-000	334A-17			44295-41K00-000	423A-12
35616-34J00-000	334A-23			44423-41K00-000	420A-14
	334A-3			44434-20L00-000	427A-10
	334A-9			44480-41K00-000	420A-15
	334A-18			44480-41K20-000	420A-16
	334A-24			44512-44J00-000	420A-18
35623-34J00-000	334A-4			44515-34J10-000	420A-20
	334A-10	41100-20L00-000	401A-1	44520-20L00-000	420A-19
	334A-19	41542-41K00-000	406A-1	44523-20L00-000	423A-13
	334A-25	41933-34J00-000	401A-9	44541-34J20-000	420A-7
35623-34J30-000	334A-5	41980-41K00-000	401A-2	44541-44J00-000	420A-8
	334A-11	41990-20L00-000	401A-7	44542-20L00-000	420A-6
	334A-20	41994-41K00-000	401A-5	44542-44J00-000	420A-5
	334A-26	42310-20L00-000	407A-1	44544-27K00-000	420A-10
	334A-6	42341-27K00-000	407A-2	44549-34J00-000	420A-9
	334A-12	42360-41K00-000	407A-4	44552-20L00-000	423A-14
	334A-21	42423-48H00-000	407A-5	44894-34J00-000	427A-16
	334A-27	42424-48H00-000	407A-6	45100-20L00-QV4	505A-1
	334A-13	43110-34J20-000	407A-8	45148-27K00-000	423A-15
35629-34J30-000	334A-29	43130-24A70-000	530A-5		505A-2
	339A-1		550A-17		505A-4
35710-20L00-000	339A-6	43211-23J00-000	407A-11		505A-8
35910-23K10-000	339A-6	43232-34J00-000	350A-12	45213-28G20-000	505A-7
35913-23K00-000	339A-7	43510-20L00-000	415A-1	45220-28G21-000	505A-9
35950-20L00-000	333A-7	43520-20L00-000	415A-2	45280-20L00-000	505A-11
35970-28G00-000	339A-10	43529-34J10-000	415A-19	45288-20L00-000	505A-14
36610-20L00-000	350A-1	43530-06L00-000	415A-8	45289-11F00-000	505A-13
36852-20L10-000	350A-18	43540-06L00-000	415A-9	45300-20L00-CDC	505A-6
36990-20L00-000	355A-4	43551-06L00-000	415A-4	45316-41K00-000	505A-3
36990-20L10-000	466A-1	43552-06L00-000	415A-10	46311-20LA0-000	412A-1
36990-44J10-000	334A-14	43571-20L00-000	415A-14	47111-20L00-YHG	446A-1
	339A-13	43572-20L00-000	415A-15	47112-20L00-000	446A-12
	350A-8	43576-48B80-000	415A-13	47121-20L00-000	446A-8
36990-70F20-000	350A-7	43585-27K00-000	401A-4	47122-20L00-000	446A-9
37100-20L01-000	352A-2	43611-37H70-000	415A-17	47123-41K00-000	446A-2
37101-20891-000	352A-1	43621-37H70-000	415A-18		460A-1
37146-41K00-000	352A-5	44100-20L00-000	420A-1	47131-20L00-QSB	445A-8-3
37152-30H00-000	352A-3	44171-20L01-YKV	423A-2	47131-20L00-YU1	445A-8-1
37200-27K21-000	355A-1	44181-20L01-YVB	423A-3	47131-20L00-YVB	445A-8-2
37400-27K20-000	355A-3	44191-20L01-YVB	423A-4	47132-20L00-000	445A-9
37560-41K00-000	467A-17	44200-34860-000	420A-2	47161-23J00-000	339A-2
37562-41K00-000	467A-18	44240-13H00-000	427A-12		460A-2
37720-41K01-000	212A-28	44271-20L00-000	423A-5	47162-30H00-000	420A-12
37740-34J20-000	350A-11	44271-41K00-000	420A-4		445A-1
37840-48K00-000	350A-15	44272-20L00-000	423A-6	47211-20L00-YHG	446A-3
38500-41K01-000	350A-13	44281-20L00-000	423A-7	47212-20L00-000	446A-13
38610-27K01-000	334A-30	44282-20L00-000	423A-8	47221-20L00-000	446A-10
38860-76F01-000	350A-2				

40000

PART NO.	FIG.NO.-REF.NO.	PART NO.	FIG.NO.-REF.NO.	PART NO.	FIG.NO.-REF.NO.
47231-20L00-QSB	445A-10-3			51176-20L00-000	521A-31
47231-20L00-YU1	445A-10-1			51177-34J00-000	521A-9
47231-20L00-YVB	445A-10-2			47315-41K00-000	445A-3
47311-20L00-000	445A-2				446A-14
	485A-7			51181-34J00-000	521A-3
47349-34J01-000	423A-16				521A-23
47410-20L00-000	474A-11			51195-34J00-000	521A-17
47421-20L00-000	406A-6				521A-37
47431-20L00-000	406A-2			51196-34J00-000	521A-7
47435-34J00-000	497A-1				521A-27
47512-28K00-000	415A-11			51311-20L00-291	524A-5
48178-31C00-000	406A-3			51321-41K00-000	524A-11
				51328-34J00-000	524A-6
				51331-41K00-291	524A-10
				51344-41K00-000	524A-7
				51353-41K00-000	524A-8
				51356-34J00-000	524A-9
				51410-20L00-000	524A-1
				51434-41K00-000	524A-4
				51611-20002-000	524A-17
				51611-33002-000	524A-18
				51621-28000-000	524A-15
				51622-41K00-000	524A-3
				51631-28000-000	524A-13
				51643-25001-000	524A-14
				51644-41K00-000	524A-2
				51831-30H10-000	333A-4
				51811-20L00-000	460A-3
				53275-34J00-000	339A-3
				54111-20L01-QC3	460A-4
				54162-20L00-000	530A-1
				54162-41K00-000	530A-11
				54711-41K00-000	550A-9
				54731-41K00-000	530A-7
				54731-41K00-000	530A-2
				54751-41K00-000	530A-8
				54841-48H10-000	530A-3
				55110-20L01-000	530A-6
				55411-41K00-000	530A-13-1
				550A-28-1	550A-28-1
				55412-41K00-000	530A-13-2
				55413-41K00-000	530A-13-3
				55610-20L00-000	533A-1
				55660-41K00-000	533A-2
				55661-34J00-000	533A-4
				55662-10G00-000	533A-5
				55663-34J00-000	533A-6
				51103-20L00-291	521A-1
				51104-20L00-291	521A-21
				51110-20L00-000	521A-10
				51113-27K00-000	521A-2
				51121-34J00-000	521A-16
				51131-20L00-291	521A-36
				51141-20L00-291	521A-18
				51146-20L00-000	521A-38
				51147-34J00-000	521A-8
				51147-41K00-000	521A-28
				51148-34J00-000	521A-41
				51153-34J00-000	521A-20
				51156-34J00-000	521A-40
				51158-34J00-000	521A-19
				51167-34J00-000	521A-39
				51172-34J00-000	521A-13
				51173-34J00-000	521A-33
					521A-12
					521A-32
					521A-14
					521A-34
					521A-15
					521A-35
					521A-6
					521A-26
					521A-5
					521A-25
					521A-11
					521A-31
					521A-4
					521A-24
					521A-9
					521A-29
					521A-3
					521A-23
					521A-17
					521A-37
					521A-7
					521A-27
					524A-5
					524A-11
					524A-6
					524A-10
					524A-7
					524A-8
					524A-9
					524A-1
					524A-4
					524A-17
					524A-18
					524A-15
					524A-3
					524A-13
					524A-14
					524A-2
					333A-4
					460A-3
					460A-4
					530A-1
					530A-11
					550A-9
					530A-7
					530A-2
					530A-8
					530A-3
					530A-6
					530A-13-1
					550A-28-1
					530A-13-2
					530A-13-3
					550A-28-3
					533A-1
					533A-2
					533A-4
					533A-5
					533A-6
					533A-1
					533A-2
					533A-4
					533A-5
					533A-6
					533A-1
					533A-2
					533A-4
					533A-5
					533A-6
					533A-1
					533A-2
					533A-4

PART NO.	FIG.NO.-REF.NO.	PART NO.	FIG.NO.-REF.NO.	PART NO.	FIG.NO.-REF.NO.
59211-20L00-000	530A-9	63112-20L00-000	474A-3	68194-20L00-AA3	485A-5-2
59218-34J20-000	530A-10	63114-41K00-000	423A-17	68194-20L00-CD1	485A-5-1
	550A-8		445A-11	68194-20L00-CWT	485A-5-3
59260-20L00-000	536A-6	63118-41K00-000	472A-5	68195-20L00-CDT	485A-6-1
59315-34J00-000	535A-7		474A-4	68195-20L00-CDU	485A-6-2
59351-34J00-000	535A-10	63191-34J00-000	474A-5	68195-20L00-CWS	485A-6-3
59382-34J00-000	535A-13	64111-20L01-QC3	550A-1	68281-02L00-000	481A-26
59400-20L00-000	536A-1	64511-41K00-000	550A-20	68281-44K00-000	423A-1
59492-30H40-000	536A-3	64541-41K00-000	550A-18	68319-39J00-000	496A-1
	558A-4	64611-01D10-000	550A-19	68332-20L00-000	496A-2
59502-30H00-000	536A-4	64651-20L00-000	550A-2	68391-20L00-000	412A-3
	558A-5	64711-41K00-000	550A-27	69100-20L10-000	555A-1
59541-41K10-000	536A-8	64721-41K00-000	550A-15	69100-27860-000	555A-3
59600-30H50-000	537A-1	64731-41K00-000	550A-3	69100-27870-000	555A-2
59610-30H00-000	537A-4	64733-01D00-000	550A-22	69100-27890-000	555A-4
59665-30H00-000	537A-3	64741-41K00-000	550A-6	69115-27K00-000	555A-7
59665-34J00-000	535A-15	64751-41K00-000	550A-25	69116-27K00-000	555A-12
59667-12K00-000	537A-6	64831-41K00-000	550A-24	69187-27K00-000	555A-13
59668-30H00-000	537A-10	64841-41K00-000	550A-5	69200-20L00-000	558A-1
59669-30H00-000	537A-12	65110-20L01-000	550A-16	69211-20L00-000	550A-7
59671-30H00-000	537A-8	65710-20L00-000	533A-11	69345-27K00-000	555A-5
59687-23K00-000	537A-7	65741-41K00-000	533A-13	69400-20L00-000	558A-2
59688-30H00-000	537A-9	68135-20L00-CDT	445A-6-1	69600-41810-000	558A-9
59691-30H00-000	537A-11	68135-20L00-CDU	445A-6-2	69600-41K00-000	558A-8
59735-27K00-000	558A-27	68135-20L00-CWS	445A-6-3	69665-27K00-000	558A-13
59746-34J00-000	535A-6	68145-20L00-CDT	445A-7-1	69666-27K00-000	558A-10
59870-30H00-000	537A-2	68145-20L00-CDU	445A-7-2	69667-27K00-000	558A-22
		68145-20L00-CWS	445A-7-3	69668-27K00-000	558A-24
		68155-34J00-J7A	445A-17	69669-27K00-000	558A-23
		68181-20L00-AJM	481A-23-2	69671-41K00-000	558A-14
		68181-20L00-CWT	481A-23-3	69689-27K00-000	558A-21
		68181-20L00-GY8	481A-23-1	69692-41K00-000	558A-11
		68182-20L00-CDU	481A-24-2	69693-27K00-000	558A-12
		68182-20L00-CDW	481A-24-1	69720-20L00-000	555A-10
		68182-20L00-CWS	481A-24-3	69731-41K00-000	558A-26
		68183-20L00-CDZ	485A-1-1	69740-27K00-000	558A-20
		68183-20L00-CWT	485A-1-3	69746-27K00-000	555A-6
		61251-41K00-000	541A-4	68183-20L00-JSP	485A-1-2
		61262-41K00-000	541A-6	68184-20L00-AA3	485A-2-2
		61273-41K00-000	541A-10	68184-20L00-CD1	485A-2-1
		61280-41K00-000	541A-2	68184-20L00-CWT	485A-2-3
		61311-20L00-000	542A-1	68185-20L00-CDT	485A-3-1
		61410-41K00-000	550A-11	68185-20L00-CDU	485A-3-2
		61421-41K00-000	550A-12	68185-20L00-CWS	485A-3-3
		61445-41K00-000	550A-14	68192-20L00-CDU	481A-25-2
		61455-41K00-000	550A-26	68192-20L00-CDW	481A-25-1
		62100-20L00-28W	545A-1	68192-20L00-CWS	481A-25-3
		62658-47H00-000	545A-2	68193-20L00-CDZ	485A-4-1
		62668-30B00-000	545A-5	68193-20L00-CWT	485A-4-3
		63111-20L00-000	474A-2	68193-20L00-JSP	485A-4-2

60000

90000

PART NO.	FIG.NO.-REF.NO.	PART NO.	FIG.NO.-REF.NO.	PART NO.	FIG.NO.-REF.NO.
94417-20L00-000	481A-29	108A-10			
94421-20L11-QSB	481A-6-3	108A-11			
94421-20L11-YU1	481A-6-1	120A-20	01550-0812B-000	420A-11	
94421-20L11-YVB	481A-6-2	172A-7		112A-8	
94431-20L11-QSB	481A-7-3	316A-4	01550-0816A-000	401A-6	
94431-20L11-YU1	481A-7-1	427A-6		401A-3	
94431-20L11-YVB	481A-7-2	533A-3	01550-0825A-000	103A-16	
94433-05J00-000	445A-12	533A-10		412A-2	
	474A-9	536A-5	01550-0835A-000	535A-18	
	485A-9-3	536A-7		163A-10	
94441-20L00-YU1	485A-9-1	112A-24	01580-0616A-000	155A-16	
94441-20L00-YVB	485A-9-2	533A-8		466A-8	
94442-20L00-000	485A-10	533A-12	01547-0616B-000	02112-0510B-000	
94451-20L00-QSB	485A-11-3	140A-9	01547-0620A-000	02112-0612A-000	
94451-20L00-YU1	485A-11-1	170A-17		206A-27	
94451-20L00-YVB	485A-11-2	316A-3	01547-0620B-000	212A-8	
94452-20L00-000	485A-12	467A-13		505A-10	
94460-20L00-000	483A-4	536A-9	01547-0625B-000	02142-0608A-000	
94471-20L00-000	481A-8	112A-5		423A-20	
94481-20L00-000	481A-9	112A-15	01547-0625A-000	333A-5	
94491-20L00-000	485A-13	112A-26		339A-9	
94510-20L00-000	481A-10	140A-14		406A-7	
94530-20L00-000	485A-14	170A-9		423A-21	
94540-20L00-000	485A-15	301A-7		481A-21	
94570-20L00-000	483A-1	127A-9	01547-0625B-000	481A-22	
94580-20L00-000	483A-2	558A-3	01547-0630A-000	485A-26	
94611-20L00-000	481A-27	313A-7	01547-0630B-000	155A-11	
94621-34J10-000	481A-11	112A-6	01547-0635A-000	333A-3	
94642-10GA0-000	446A-15	112A-16		558A-18	
95700-09870-000	505A-15	108A-3	01547-0645A-000	04111-2515A-000	
96412-33G50-000	497A-2	112A-7		415A-20	
96414-33G50-000	497A-3	112A-17		407A-10	
96511-20L00-000	497A-4	170A-10		108A-2	
96513-23J00-000	497A-5	108A-4	01547-0655A-000	112A-4	
96513-23J10-000	108A-5	108A-5	01547-0665A-000	112A-14	
96514-23J00-000	497A-7	108A-6	01547-0680A-000	170A-7	
96514-23J10-000	497A-8	303A-7	01550-0610A-000	103A-12	
99000-69471-000	126A-19	350A-14	01550-0610B-000	107A-3	
99011-20L10-08A	497A-9	103A-14	01550-0612A-000	04221-04089-000	
		178A-12		06111-06003-000	
		420A-13		06111-07004-000	
		466A-7		06111-08004-000	
		474A-12		07120-0512A-000	
		558A-25		07120-0520A-000	
		407A-7	01550-0612B-000	07130-0512A-000	
		339A-4		550A-10	
01500-0610A-000	206A-25	485A-24	01550-0616A-000	07130-0512B-000	
01500-0616B-000	201A-23	485A-25		303A-8	
01500-0620B-000	212A-39	350A-17	01550-0616B-000	07130-0530B-000	
01547-0612A-000	103A-6	460A-8	01550-0620A-000	07130-0616A-000	
	108A-8			122A-6	
				212A-15	

00000

PART NO.	FIG.NO.-REF.NO.	PART NO.	FIG.NO.-REF.NO.	PART NO.	FIG.NO.-REF.NO.	PART NO.	FIG.NO.-REF.NO.	PART NO.	FIG.NO.-REF.NO.	PART NO.	FIG.NO.-REF.NO.
07130-0625A-000	415A-16		541A-11	09160-22088-000	206A-20	09280-09013-000	170A-6		355A-2		
07130-0650A-000	558A-19	09111-06102-000	474A-8	09167-25019-000	206A-31	09280-13010-000	170A-13	09407-17403-000	505A-12		
07130-0655B-000	103A-7		485A-17	09168-06004-000	108A-12	09280-17003-000	112A-11	09408-00343-000	420A-17		
07130-0655B-000	462A-4	09111-06107-000	542A-2	09168-06018-000	103A-15	09280-22008-000	112A-19	09409-06346-000	445A-4-1		
07130-0825A-000	163A-3	09116-06111-000	178A-4	09168-08015-000	112A-9	09280-24008-000	206A-28		446A-16-1		
08110-62030-000	206A-18	09119-06140-000	333A-8	09168-12L02-000	108A-14	09280-26005-000	212A-29		474A-7-1		
08110-69030-000	201A-16	09139-05091-000	481A-12	09168-14002-000	112A-21	09280-40021-000	140A-13		481A-18		
08110-6905A-000	212A-6		485A-18	09168-16002-000	178A-9	09280-54001-000	170A-15		485A-21		
08112-63040-000	206A-16	09139-05092-000	446A-4	09169-06099-000	472A-7	09280-63003-000	322A-3	09409-06L07-000	445A-4-2		
08123-6302B-000	530A-4		481A-13	09180-06256-000	163A-7	09282-12013-000	120A-6		446A-16-2		
08123-6303B-000	550A-4	09139-05096-000	423A-18	09180-06310-000	178A-5	09283-14005-000	212A-17		474A-7-2		
08133-6305B-000	550A-23		481A-14	09180-06380-000	313A-5	09283-34016-000	206A-23		481A-17		
08211-06121-000	212A-11	09139-06194-000	163A-5	09180-06382-000	483A-8	09285-11001-000	201A-21		485A-20		
08211-14242-000	124A-10	09139-06205-000	483A-6	09180-10164-000	163A-13	09289-05019-000	126A-14	09409-08009-000	445A-15		
08211-16283-000	201A-5	09139-06219-000	406A-5	09181-10158-000	170A-4	09320-08018-000	481A-16		446A-11		
08211-20363-000	201A-2		445A-16	09181-14167-000	212A-22		485A-19	09409-08014-000	445A-5-1		
08310-0006A-000	212A-40	09139-06230-000	446A-5	09181-28021-000	120A-3-2	09320-08504-000	163A-8		446A-7-1		
08313-2006B-000	472A-8		472A-6	09181-28187-000	120A-3-1	09320-09016-000	445A-13		481A-20		
08316-1006A-000	427A-14		474A-6	09181-28188-000	120A-3-3		446A-6		485A-23		
08316-1006B-000	313A-6	09139-06241-000	505A-5	09181-28189-000	120A-3-4		460A-7	09409-08L09-000	445A-5-2		
08319-2105A-000	339A-12	09139-06242-000	481A-1	09181-28190-000	120A-3-5		481A-2		446A-7-2		
08319-2106A-000	467A-12	09140-06025-000	212A-38	09181-28191-000	120A-3-6	09320-10015-000	178A-6		481A-19		
08319-2110B-000	407A-3	09140-14022-000	124A-11	09181-28192-000	120A-3-7	09320-10078-000	483A-9		485A-22		
08319-2114A-000	541A-7	09140-16038-000	201A-6	09181-28193-000	120A-3-8	09320-14027-000	163A-14	09420-04008-000	303A-10		
08319-3106B-000	483A-10	09140-18004-000	120A-11	09181-28194-000	120A-3-9	09320-20011-000	445A-14	09421-05011-000	120A-13		
08319-3108A-000	163A-16	09140-20022-000	206A-32	09181-28197-000	120A-3-10	09360-14016-000	178A-10		124A-9		
	550A-13	09148-05060-000	474A-10	09181-28200-000	120A-3-11	09360-16002-000	178A-11	09440-04010-000	212A-32		
08319-3110A-000	550A-21		481A-15	09181-28202-000	120A-3-12	09380-22018-000	206A-19	09440-05003-000	415A-21		
08319-3110B-000	108A-17	09148-05083-000	163A-21	09181-28204-000	120A-3-13	09380-25016-000	206A-22	09448-20012-000	415A-7		
	401A-8	09148-05L04-000	423A-19	09181-28207-000	120A-3-14	09381-10004-000	103A-2	09462-00007-000	310A-3		
08322-0106A-000	558A-17	09159-12085-000	545A-3	09181-28209-000	120A-3-15	09381-17005-000	120A-17	09471-12226-000	334A-22		
08322-0110A-000	472A-9	09160-04026-000	330A-3	09200-06037-000	558A-16	09390-22002-000	126A-2		334A-28		
08331-31109-000	170A-5	09160-05050-000	339A-8	09200-08077-000	415A-5	09401-08004-000	427A-2	09481-10501-000	350A-4		
08331-3112A-000	212A-36		339A-11	09202-04017-000	124A-12	09401-09406-000	427A-3	09481-15501-000	350A-5		
08331-31149-000	212A-23	09160-06060-000	313A-4	09202-12003-000	122A-2	09401-11009-000	427A-11	09481-20501-000	350A-6		
08331-31409-000	124A-6		460A-5	09206-08008-000	103A-3	09401-12418-000	155A-13	09482-00646-000	103A-13		
08331-41309-000	201A-17	09160-06151-000	333A-6	09209-05011-000	212A-31	09401-14101-000	155A-15				
08361-3506A-000	301A-8	09160-06152-000	483A-7	09247-12106-000	108A-13	09403-07410-000	558A-6				
	311A-2	09160-06156-000	163A-6	09247-14054-000	112A-20	09403-17311-000	558A-7				
09103-06545-000	103A-8	09160-08174-000	163A-15	09259-26035-000	112A-18	09403-18409-000	466A-6				
09103-06553-000	483A-5	09160-08176-000	126A-4	09262-15060-000	124A-8	09404-06429-000	350A-16				
09103-08558-000	163A-12	09160-09015-000	460A-6	09262-17055-000	206A-15	09404-06436-000	303A-6				
09103-10077-000	108A-15	09160-10164-000	103A-10	09262-25189-000	206A-17	09407-14407-000	334A-16				
09103-10470-000	103A-9	09160-12011-000	212A-35	09262-28060-000	120A-4		350A-10				
09103-10709-000	108A-16	09160-12131-000	545A-4	09262-28061-000	120A-5		352A-4				
09106-05017-000	420A-3	09160-14078-000	541A-8	09263-09002-000	201A-19		533A-14				
09106-07027-000	102A-3	09160-14079-000	541A-5	09263-12030-000	201A-20	09407-14L01-000	350A-9				
09106-08210-000	415A-3	09160-15002-000	407A-9	09263-14036-000	212A-37	09407-15L01-000	212A-33				
09111-06063-000	406A-4	09160-17063-000	206A-21	09263-17060-000	206A-9		303A-11				
09111-06072-000	485A-16	09160-18044-000	120A-12	09263-22077-000	541A-3		334A-15				