



SUZUKI

RA Sports

PARTS CATALOGUE

2001

INFORMATION
ILLUSTRATION INDEX

1

ENGINE
TRANSMISSION

2

ELECTRICAL

3

BODY

4

PARTS NUMBER INDEX

5

COLOUR AVAILABLE

- ✓ 1) PEARL BLACK - 099
- ✓ 2) VIOLET BLUE - 257
- ✓ 3) MICA RED - 00K

FIG. 1



FIG. 4



FIG.8

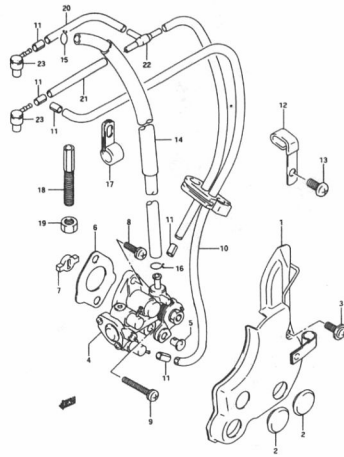


FIG.9

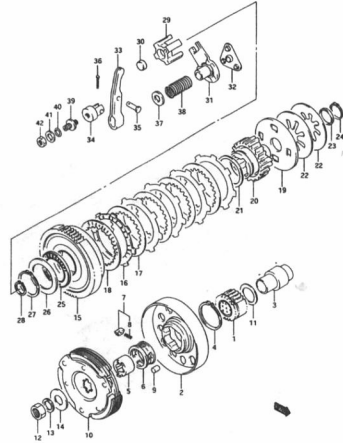


FIG.9

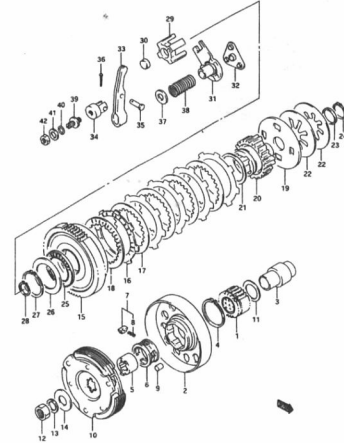


FIG.10

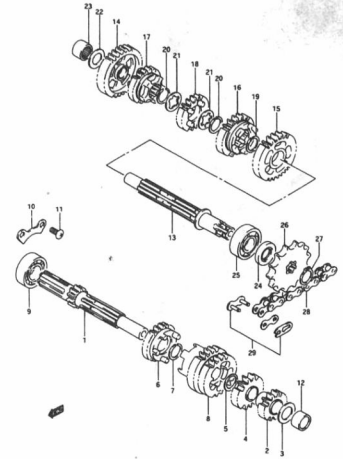


FIG.11

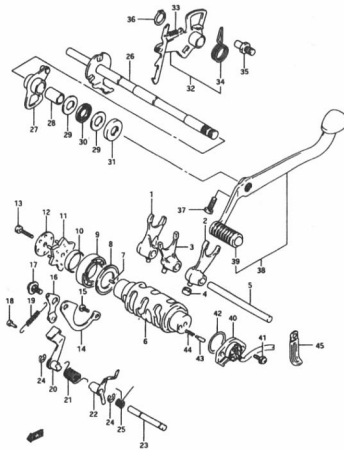


FIG.11

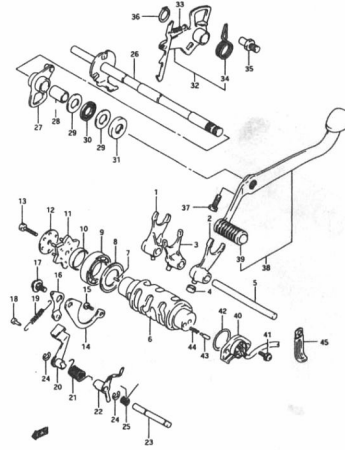


FIG.12

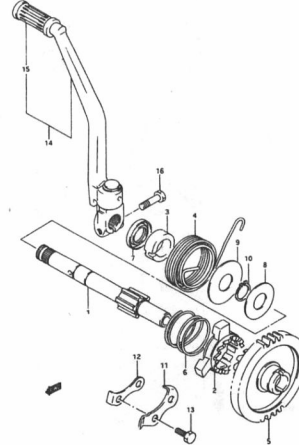


FIG.13

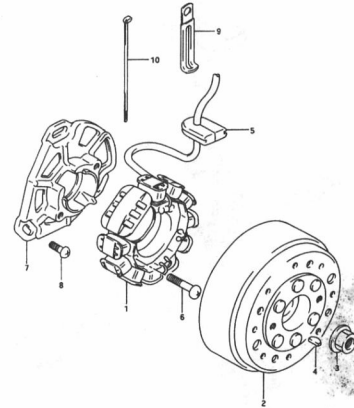


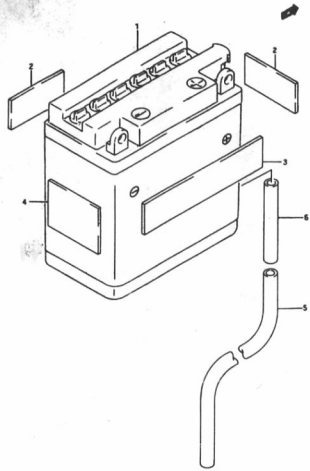
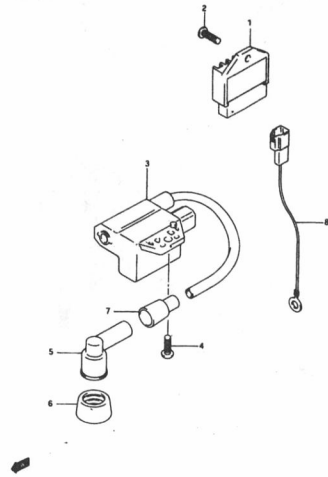
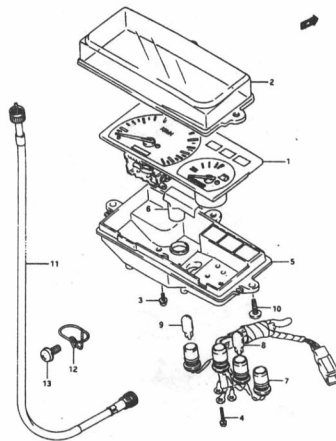
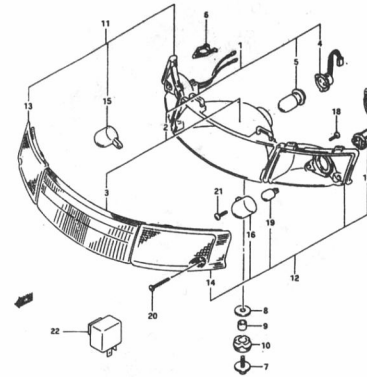
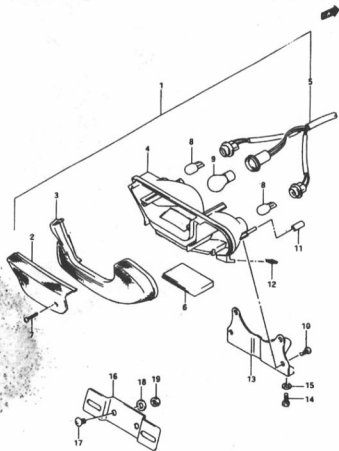
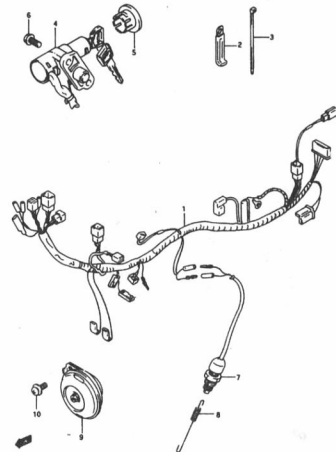
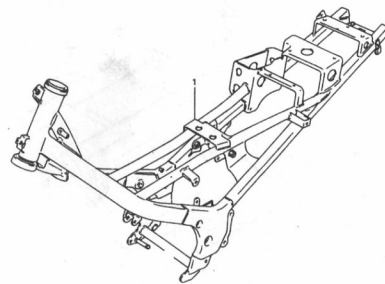
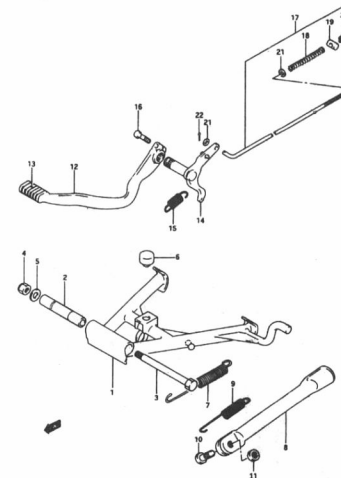
FIG.14**FIG.15****FIG.16****FIG.17****FIG.18****FIG.19****FIG.20****FIG.21**

FIG.22

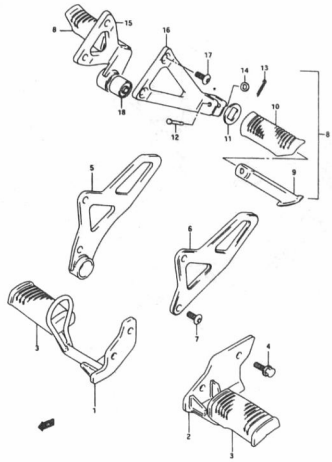


FIG.23

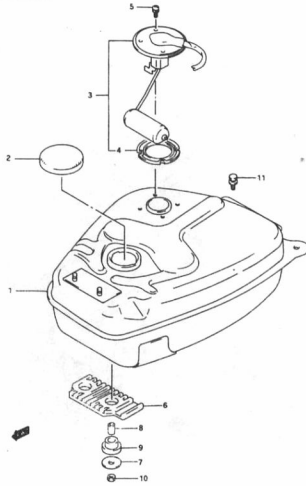


FIG.24

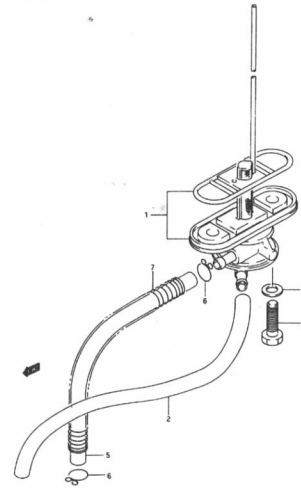


FIG.25

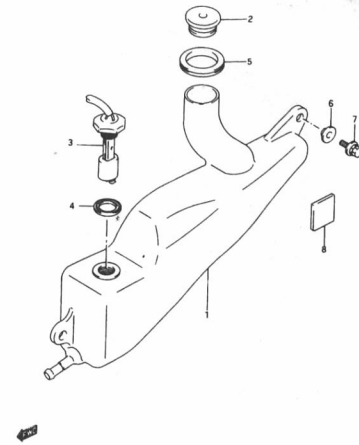


FIG.26

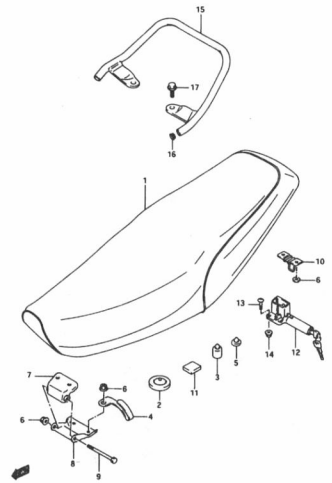


FIG.27

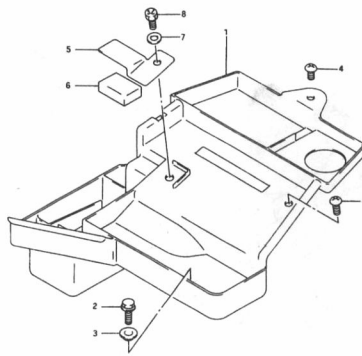


FIG.28

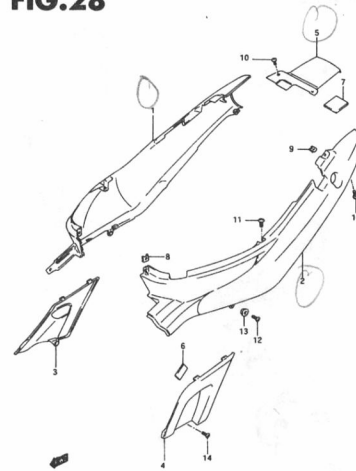


FIG.29

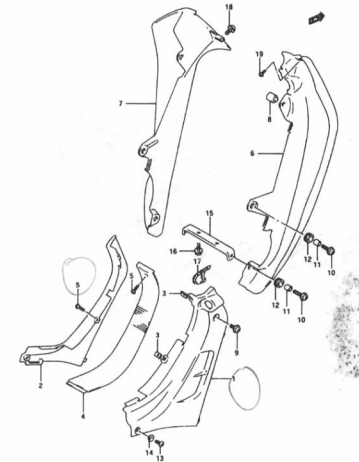


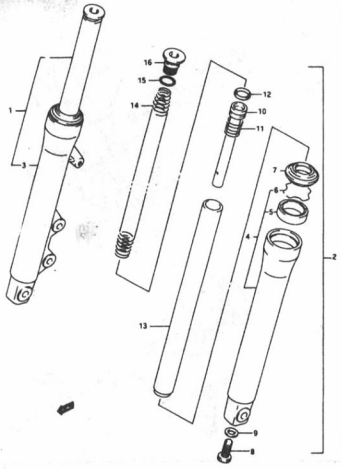
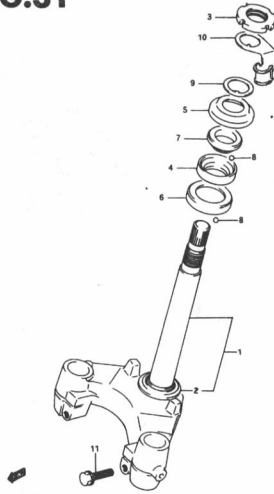
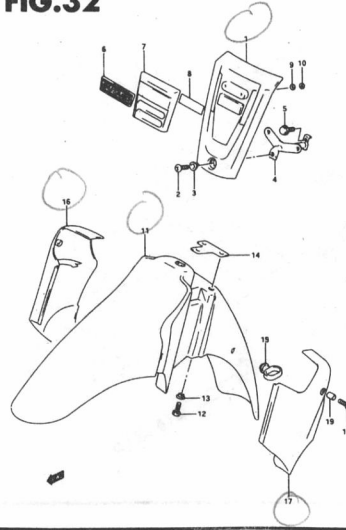
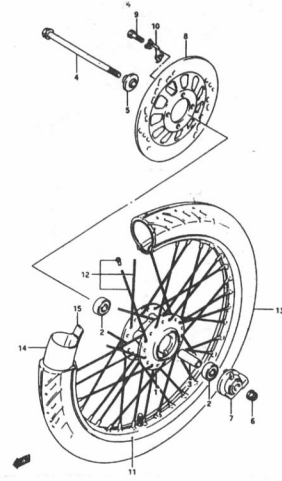
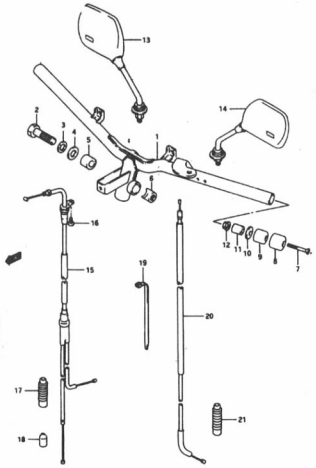
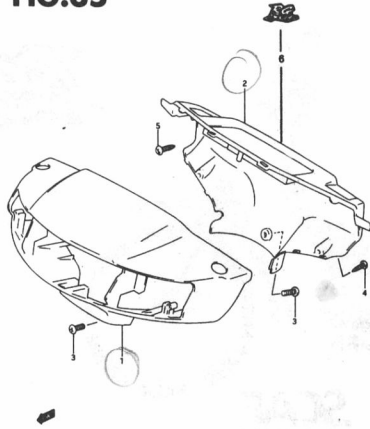
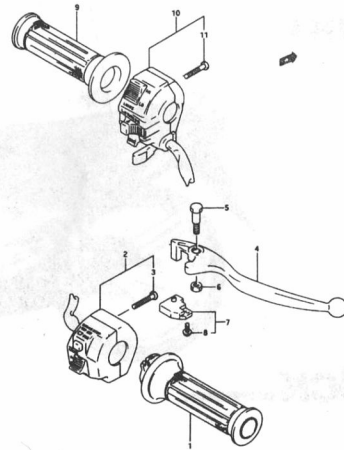
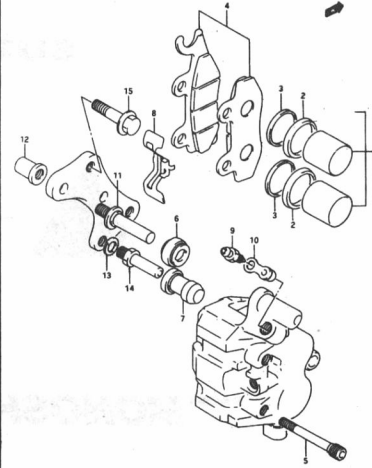
FIG.30**FIG.31****FIG.32****FIG.33****FIG.34****FIG.35****FIG.36****FIG.37**

FIG.38

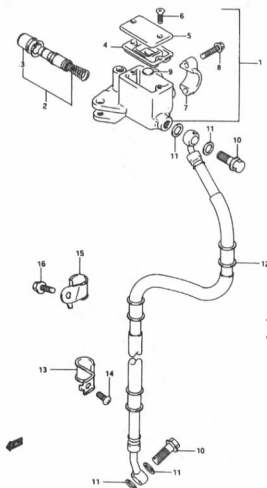


FIG.39

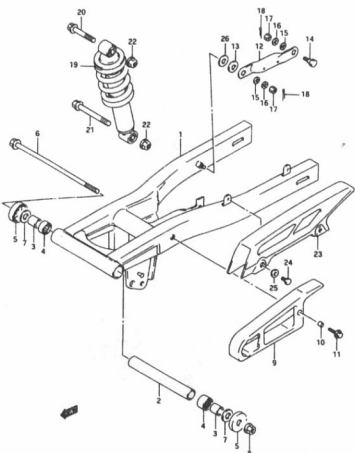


FIG.40

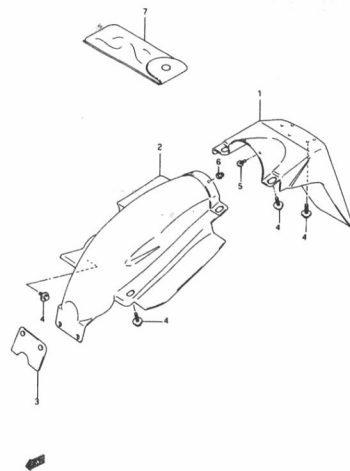


FIG.41

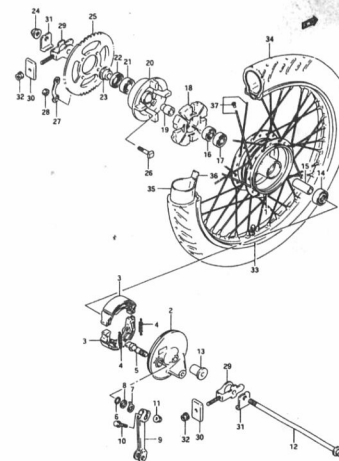


FIG.42



FIG.1

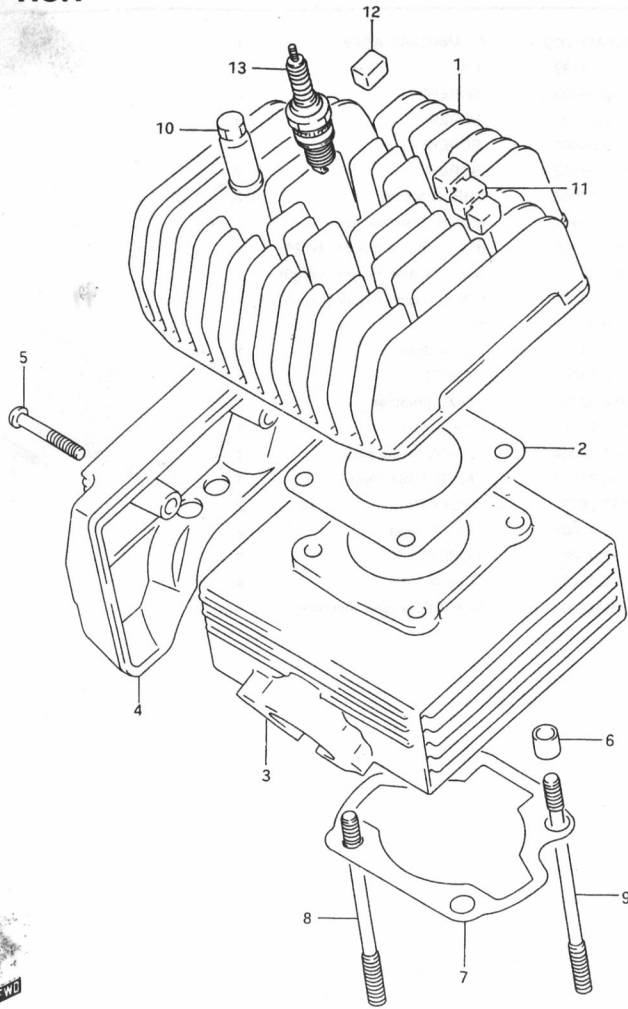


FIG.1 (B-2) CYLINDER

REF. NO.	PART NO.	DESCRIPTION	QTY	REMARKS
126-60	1	11111M38D02	1	CYLINDER HEAD
6-30	2	11141M21D10	1	GASKET, cylinder head
4540	3	11210-21D30-0F0	1	CYLINDER
30-00	4	11271M38D00	1	COVER, cylinder air
	5	02112-06353	2	SCREW
	6	04211-11189	2	PIN
	7	11241-38D00	1	GASKET, cylinder
	8	09108-08240	2	STUD BOLT (8x130)
	9	09108-08114	2	STUD BOLT (8x123)
	10	09159-08041	4	NUT
	11	11151-21D00	4	PAD, rubber (N4)
	12	11252-25000	19	PAD, rubber (N1)
	13-1	09482M00175	1	SPARK PLUG (NGK, BP8ES)
	13-2	09482-00176	1	SPARK PLUG (ND,W24EP)

2

2

FIG.2

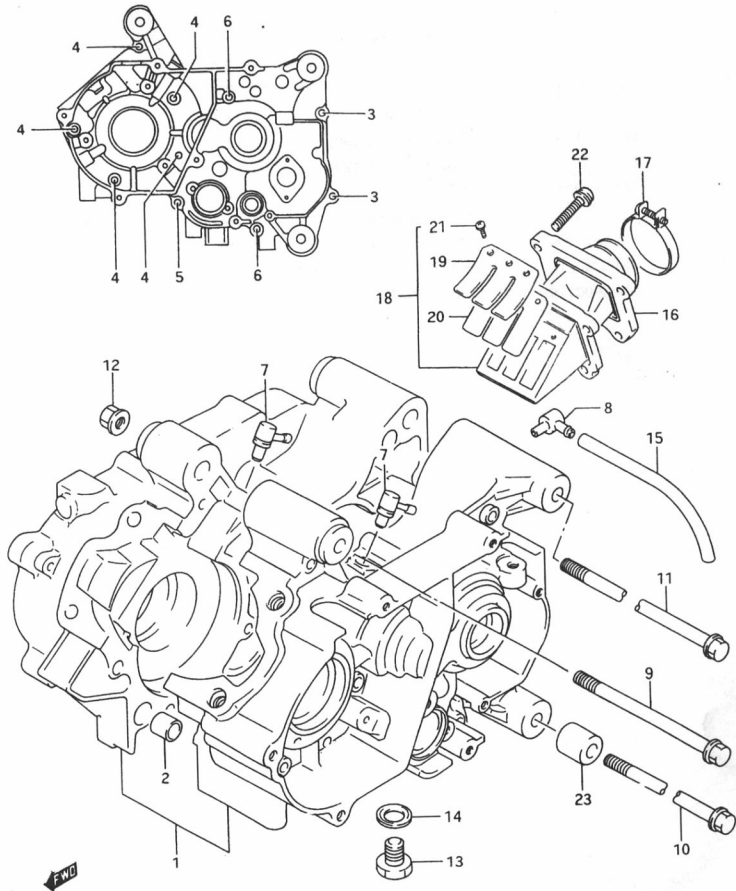


FIG.2 (B-3) CRANKCASE

REF. NO.	PART NO.	DESCRIPTION	Q'TY	REMARKS
380-20	1	11300M21D20	1	CRANKCASE ASSY
	2	04211-13189	2	.PIN
	3	02112-06403	2	.SCREW
	4	02112-06503	5	.SCREW
	5	02112-06603	1	.SCREW
	6	02112-06553	2	.SCREW
25.70	7	16910-21D00	2	CHECK VALVE
32.30	8	16910-09401	1	UNION, breather hose
	9	09103-08109	1	BOLT, engine mount (8x120)
	10	09103-08101	1	BOLT, engine mount (8x230)
	11	09103-08278	1	BOLT, engine mount (8x225)
	12	08319-31087	3	NUT
E-10	13	09247-14025	1	PLUG, drain
6.80	14	09168-14002	1	GASKET
	15	09352-42703-135	1	HOSE, breather
	16	13110-21D01	1	PIPE, intake
9.90	17	09402-36306	1	CLAMP, intake pipe
176.90	18	13150-21D00	1	VALVE ASSY, reed
	19	13152-35400	2	.STOPPER
16.60	20	13153-31001	2	.VALVE, reed
	21	02112-33083	6	.SCREW
	22	02112-36253	4	SCREW
	23	41921M21D00	1	SPACER, engine mounting

RG SPORT

FIG.3

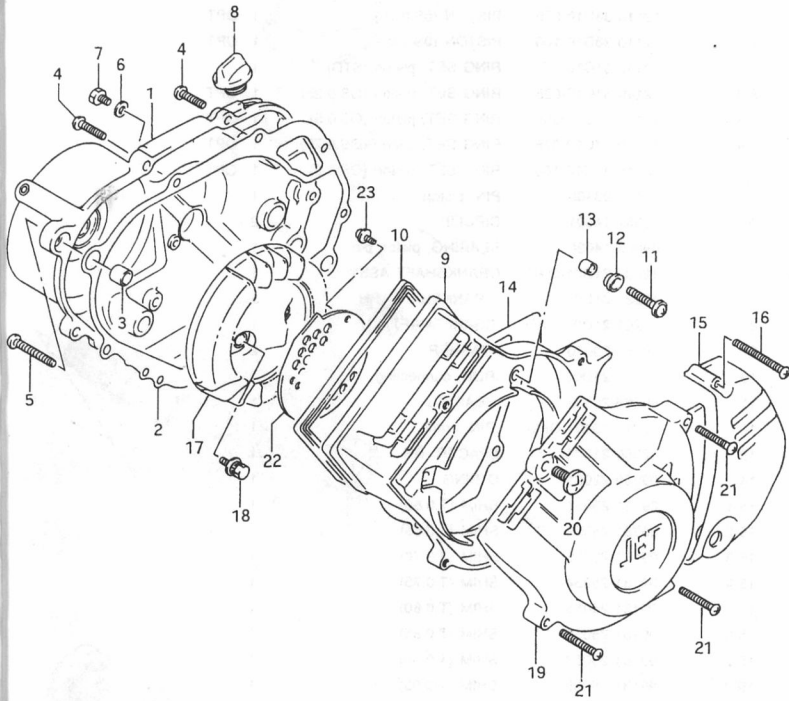


FIG.3 (B-4) CRANKCASE COVER

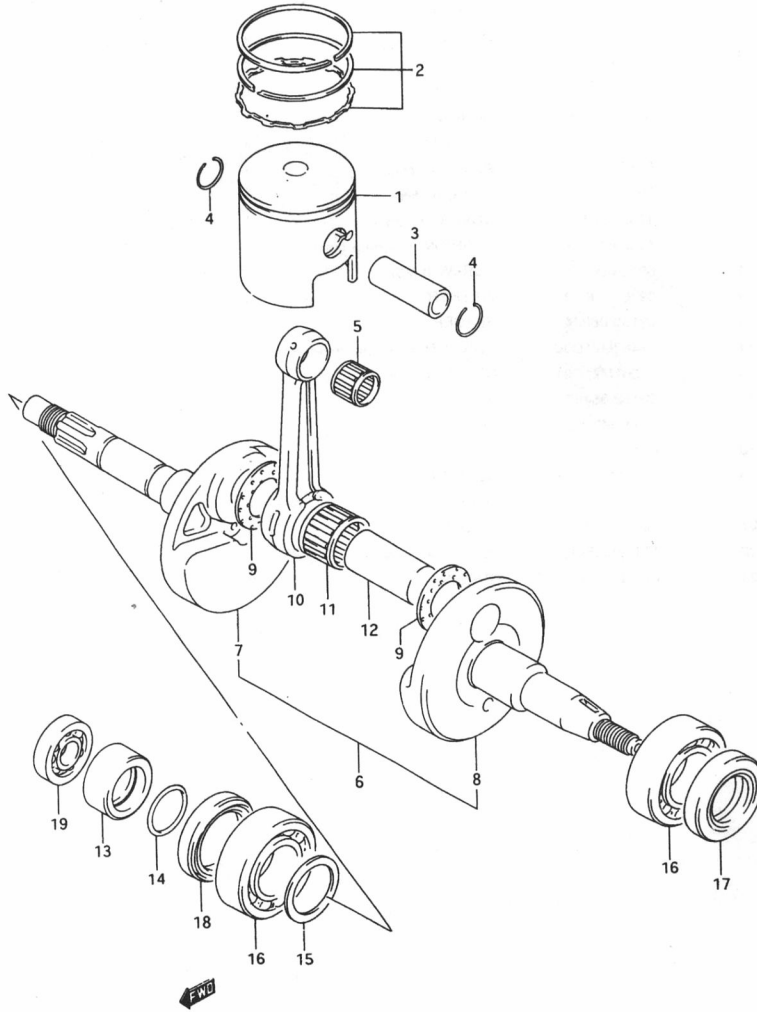
REF. NO.	PART NO.	DESCRIPTION	Q'TY	REMARKS	
90-00	1	11340M21D00	COVER, clutch	1	Discon
4-00	2	11482M21D00	GASKET, clutch cover	1	
	3	04211-13189	PIN	2	
	4	02112-06253	SCREW	8	
	5	02112-06453	SCREW	1	
	6	09168-06001	GASKET	1	
	7	09128-06044	PLUG, oil level	1	
	8	09200-20810	PLUG, oil filler	1	
50-00	9	11351M21D00	COVER, magneto	1	Discon
	10	11389M21D00	CUSHION, magneto cover	1	
	11	09136-06125	SCREW (L:25)	4	
	12	09161-09003	WASHER	4	
	13	09180-06224	SPACER	4	
	14	11483M21D00	CUSHION, magneto cover No.2	1	
35-00	15	11361M21D01	COVER, engine sprocket	1	
	16	02112-06403	SCREW	2	
	17	17110M31000	FAN, cooling	1	
	18	09118-06031	BOLT	2	
	19	17131M21D01	COWLING, fan	1	
	20	09139-06071	SCREW	1	
	21	02112-06303	SCREW	3	
	22	17133M35412	PLATE, fan cowling	1	
	23	02112-15083	SCREW	3	

2

FWD

2

FIG.4



RG SPORT

FIG.4 (B-5) CRANKSHAFT

REF. NO.	PART NO.	DESCRIPTION	Q'TY	REMARKS
1-1	12110-38D10-0F0	PISTON (STD)	1	
135.70 1-2	12110-38D10-025	PISTON (OS:0.25)	1	OPT
1-3	12110-38D10-050	PISTON (OS:0.5)	1	OPT
1-4	12110-38D10-075	PISTON (OS:0.75)	1	OPT
1-5	12110-38D10-100	PISTON (OS:1.0)	1	OPT
85-60 2-1	12140-31C10	RING SET, piston (STD)	1	
2-2	12140-31C10-025	RING SET, piston (OS:0.25)	1	OPT
2-3	12140-31C10-050	RING SET, piston (OS:0.5)	1	OPT
2-4	12140-31C10-075	RING SET, piston (OS:0.75)	1	OPT
2-5	12140-31C10-100	RING SET, piston (OS:1.0)	1	OPT
3	12151-23400	PIN, piston	1	
4	09381-14001	CIRCLIP	2	
5	09263-14030	BEARING, piston pin	1	
530.00 6	12200-21D01-OAO	CRANKSHAFT ASSY	1	
218.40 7	12221-21D01	.CRANKSHAFT, RH	1	
213.70 8	12261-21D00-OAO	.CRANKSHAFT, LH	1	
9	09160-20010	.WASHER	2	
10	12161-21D00	.ROD, connecting	1	
11	09263-20052	.BEARING	1	
12	12211-35401-OEO	.PIN, crank	1	
13	12359-21D10	SPACER, RH	1	
14	09280-22001	O RING	1	
15-1	09181-25051	SHIM (T:0.60)	1	
15-2	09181-25052	SHIM (T:0.65)	1	
15-3	09181-25053	SHIM (T:0.70)	1	
15-4	09181-25054	SHIM (T:0.75)	1	
15-5	09181-25055	SHIM (T:0.80)	1	
15-6	09181-25056	SHIM (T:0.85)	1	
15-7	09181-25057	SHIM (T:0.90)	1	
15-8	09181-25058	SHIM (T:0.95)	1	
15-9	09181-25059	SHIM (T:1.00)	1	
15-10	09181-25060	SHIM (T:1.05)	1	
15-11	09181-25060	SHIM (T:1.10)	1	
15-12	09181-25062	SHIM (T:1.15)	1	
15-13	09181-25063	SHIM (T:1.20)	1	
15-14	09181-25064	SHIM (T:1.25)	1	
15-15	09181-25065	SHIM (T:1.30)	1	

FIG.4

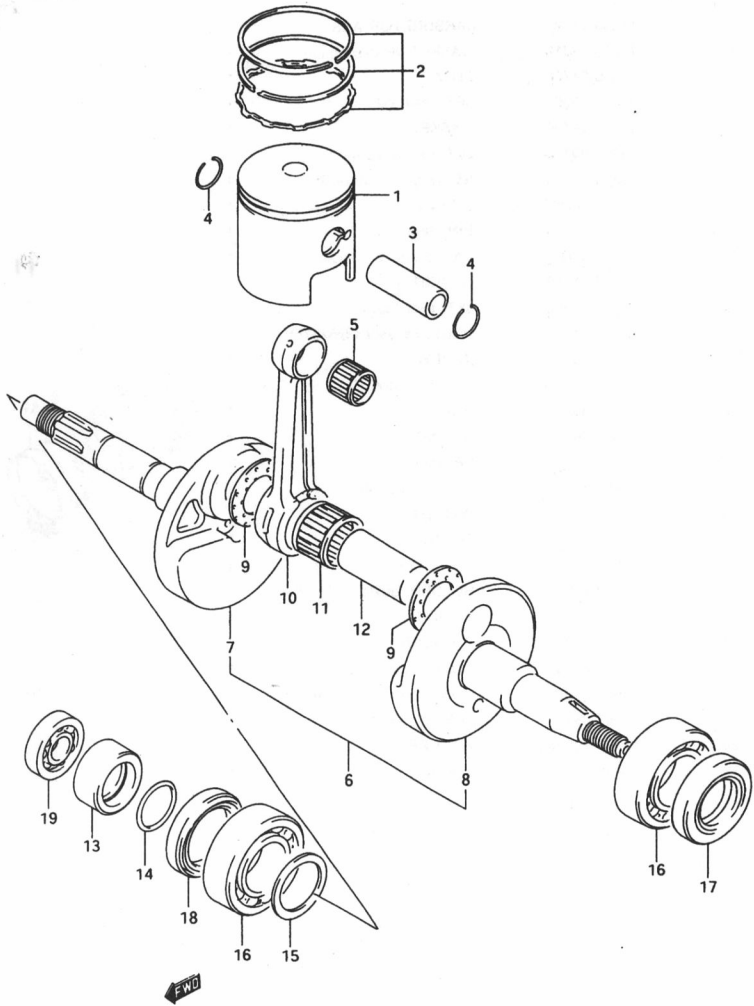


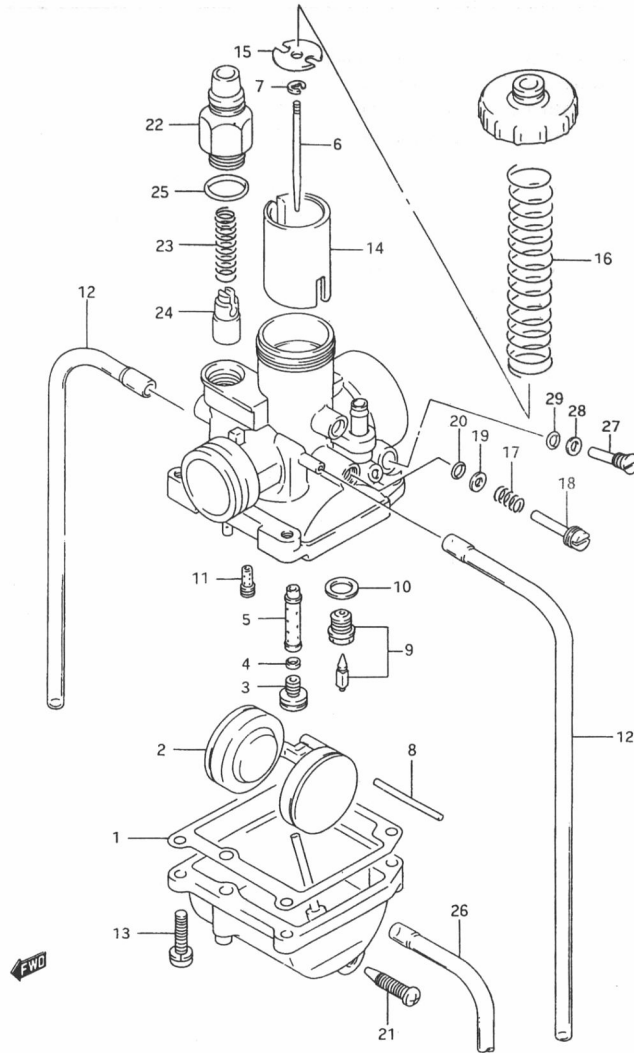
FIG.4 (B-6) CRANKSHAFT

REF. NO.	PART NO.	DESCRIPTION	Q'TY	REMARKS
16	09262-25070-OAO	BEARING, LH/MDL	2	
17	09283-25066	OIL SEAL, LH	1	
18	09289-32003	OIL SEAL, RH	1	
19	08143-62017	BEARING, RH	1	

2

2

FIG.5



RG SPORT

FIG.5 (B-7) CARBURETOR

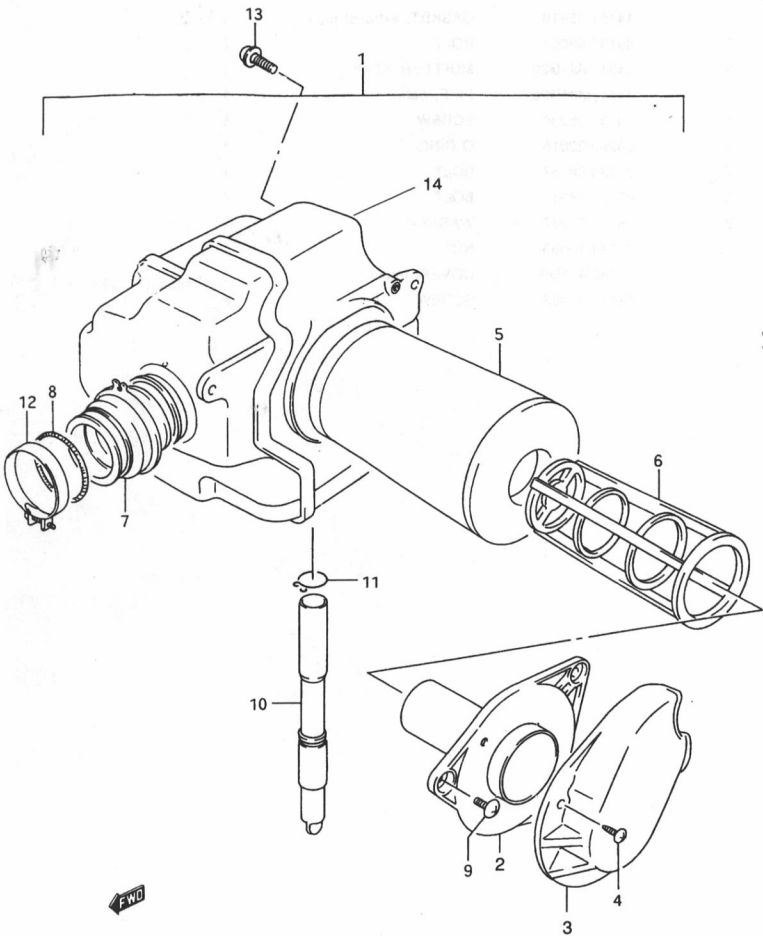
325-60
10-70
48-10
1820
2510
89-60

REF. NO.	PART NO.	DESCRIPTION	Q'TY	REMARKS
	13200-21D40	CARBURETOR ASSY	1	Discard
1	13251-23010	.GASKET, float chamber	1	13251-03410-000
2	13250-04700	.FLOAT	1	
3	09491-90007	.JET, main (90)	1	
4	13386-04700	.GASKET	1	
5	09494-00773	.JET, needle (E-8)	1	
6	13383-21D40	.NEEDLE, jet (3R14-3)	1	
7	13394-40D00	.E RING	1	
8	13254-01010	.PIN, float	1	
9	13370-21D00	.VALVE ASSY, needle (1.5)	1	
10	13392-01010	.GASKET	1	
11	09492-22008	.JET, pilot (20)	1	
12	13684-44A00	.HOSE, air vent (3x5x375)	2	
13	02112-04163	.SCREW	4	
14	13551-21D20	.VALVE, piston (CA:2.5)	1	
15	13581-36212	.PLATE	1	
16	13573-04700	.SPRING	1	
17	13268-35010	.SPRING	1	
18	13483-16A01	.SCREW, adjuster	1	
19	13291-35010	.WASHER	1	
20	13295-33010	.O RING	1	
21	13247-13A00	.PLUG, drain	1	
22	13418-24500	.HOLDER, guide	1	
23	13417-01010	.SPRING	1	
24	13411-01010	.PLUNGER	1	
25	13278-02330	.O RING	1	
26	13684-21D00	.HOSE, over flow (3x5x225)	1	
27	13267-09400	.SCREW, air (1 3/4)	1	
28	13291-29900	.WASHER	1	
29	13295-29900	.O RING	1	

FIG.6

FIG.6 (B-8) AIR CLEANER

REF. NO.	PART	DESCRIPTION	QTY	REMARKS
59-201	13700-21D00	CLEANER ASSY, air	1	
5-002	13740M21D00	.CAP	1	
20-003	13891-21D00	.TUBE, inlet	1	13991-21D20-000
4	02142-05104	.SCREW, tapping	3	
5	13780M21D00	.FILTER	1	
6	13791M21D00	.HOLDER	1	
7	13881M21D00	.TUBE, outlet	1	
8	13931-21D00	.CLAMP	1	
9	02142-05104	.SCREW	3	
10	13870-11147	.TUBE, drain	1	
11	13824-00A00	.CLIP, drain	1	
12	09402-38303	.CLAP	1	
13	02112-16165	SCREW	3	
22-0014	13710M21D00	CASE ASSY, AIR	1	



2

2

FIG.7

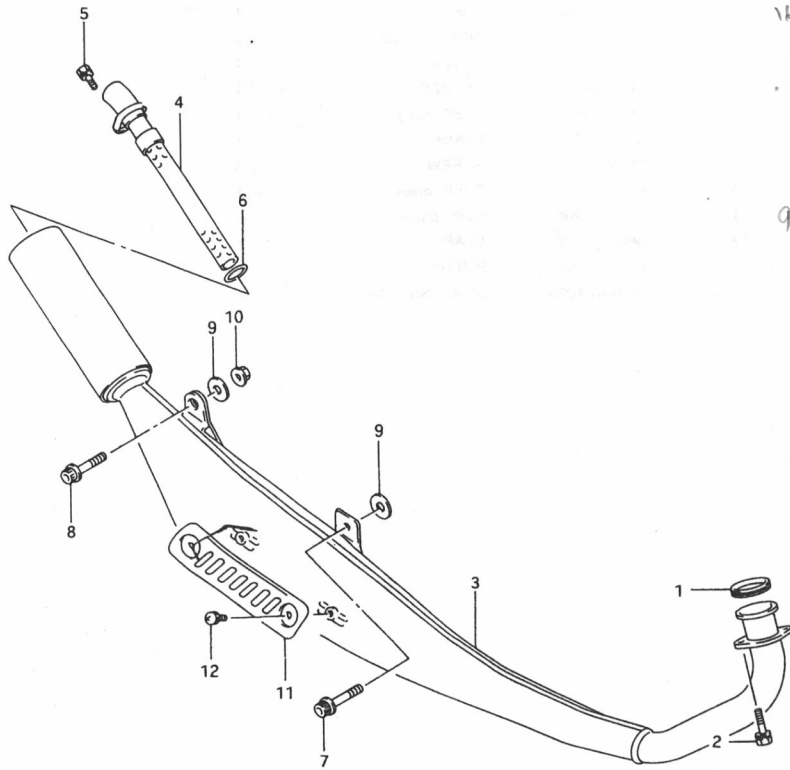


FIG.7 (B-9) MUFFLER

REF. NO.	PART NO.	DESCRIPTION	Q'TY	REMARKS
1	14181-35410	GASKET, exhaust pipe	1	
2	09137-08007	BOLT	2	
3	14310M21D20	MUFFLER ASSY	1	Disc on
4	14510M21D20	PIPE, baffle	1	
5	09137-05009	SCREW	1	
6	09280-22016	O RING	1	
7	07120-08357	BOLT	1	
8	07120-08357	BOLT	1	
9	08322-01087	WASHER	2	
10	08316-10083	NUT	1	
11	14780M21D00	COVER, muffler	1	14780M21000-BLK
12	02112-36083	SCREW	2	

165-00
8-50

9-50

EMARKS

FIG.8

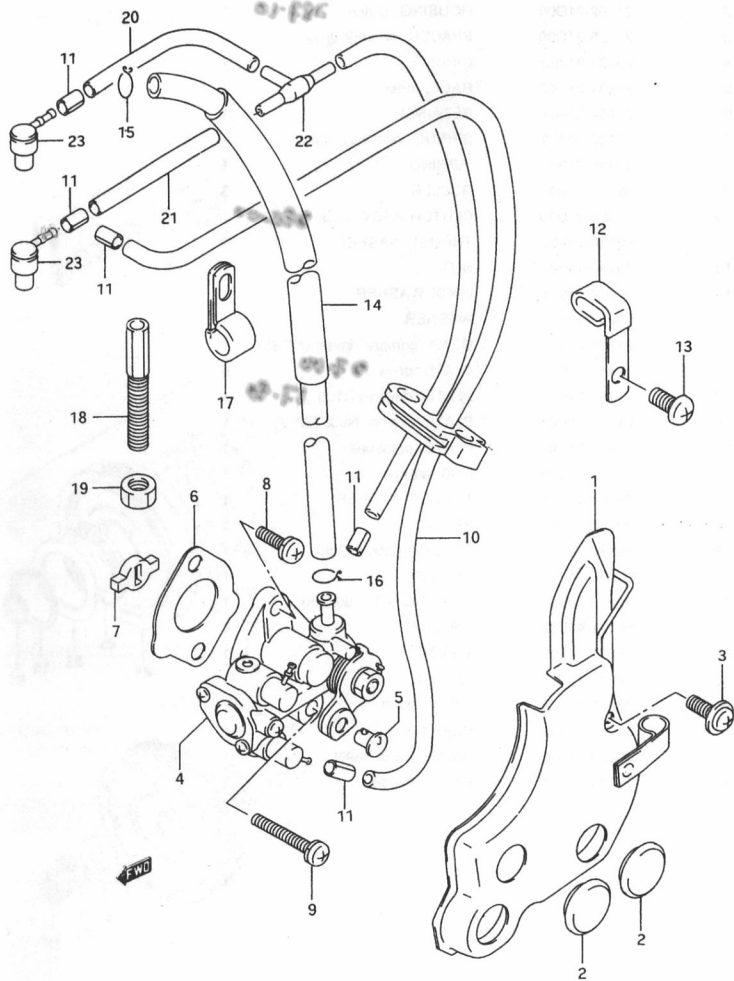


FIG.8 (B-10) OIL PUMP

REF. NO.	PART NO.	DESCRIPTION	Q'TY	REMARKS
10-20	1	11385M21D00	1	CAP, oil pump inspection
	2	09250-12009	2	CAP
	3	02112-05103	2	SCREW
372-40	4	16100-21D10	1	PUMP ASSY, oil
	5	16292-03112	1	TERMINAL, cable
	6	16731-03101	1	GASKET, oil pump
	7	16391-05031	1	PIECE, drive
	8	02112-35163	1	SCREW
	9	02112-35303	1	SCREW
	10	16820-21D02	1	HOSE, oil No. 2
	11	09401-04401	5	CLIP
	12	16816-21D00	1	CLAMP, oil hose No. 2
	13	02112-06107	1	SCREW
	14	16810-21D00	1	HOSE, oil hose No. 2
	15	09401-09101	1	CLIP, oil No. 1
	16	09401-08401	1	CLIP, oil hose, upper
	17	09403-07402	1	CLAMP
	18	16192-38D00	1	ADJUSTER
	19	08310-00083	1	NUT
	20	09352-20503-300	1	HOSE, oil No.2 R
	21	09352-20503-300	1	HOSE, oil No.2 L
	22	09367-03001	1	JOINT, oil hose No.2
	23	16910-21D00	2	NIPPLE, oil hose No.2

2

LK

RG SPORT

2

FIG.9

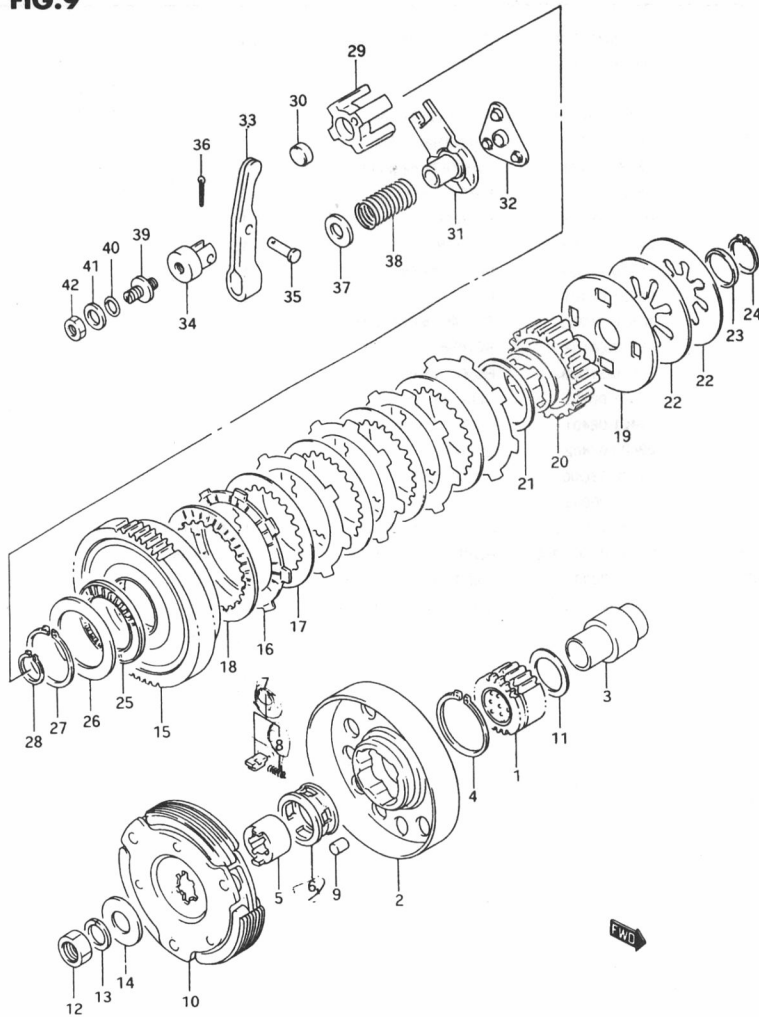


FIG.9 (C-2) CLUTCH

REF. NO.	PART NO.	DESCRIPTION	Q'TY	REMARKS
1	21110-21D00	GEAR, primary drive (NT:20)	1	
2	21102-21D00	HOUSING, clutch	1	21102-21D20-000
3	21125-21D00	SPACER, primary drive	1	
4	08331-31383	CIRCLIP	1	
5	21631-21D00	RACE, inner	1	
6	21652-35401	RETAINER	1	
7	21236-30830	SPRING, one way clutch	1	
8	09440-02003	.SPRING	1	
9	09261-07006	ROLLER	3	
10	21501-21D10	CLUTCH ASSY, shoe	1	220-00
11	09160-23002	THRUST WASHER	1	
12	09140-14022	NUT	1	
13	09164-14011	LOCK WASHER	1	
14	08211-14342	WASHER	1	
15	21210-21D03	GEAR, primary driven (NT:65)	1	140-10
16	21441-21D01	PLATE, drive	5	27-00
17	21451-21D00	PLATE, driven (T:1.2)	4	17-90
18	21452-21D01	PLATE, driven, No.2 (T:1.7)	1	
19	21461-21D00	PLATE, pressure	1	
20	21411-21D23	HUB, sleeve	1	191-20
21	09160-41003	THRUST WASHER	1	
22	09164-22010	SPRING	2	
23	09180-22045	SPACER (22x28x3.5)	1	
24	08331-31216	CIRCLIP	1	
25	09263-40002	BEARING (40.1x60x2.8)	1	52-40
26	08211-40583	WASHER	1	
27	08331-31409	CIRCLIP	1	
28	09380-17010	CIRCLIP	1	
29	23121-21D00	PIECE, push	1	50-70
30	09266-16002	BEARING	1	
31	23230-21D00	BALL GUIDE, outer	1	25-70
32	23250 35401	BALL, release	1	

RG SPORT

REMARKS

FIG.9

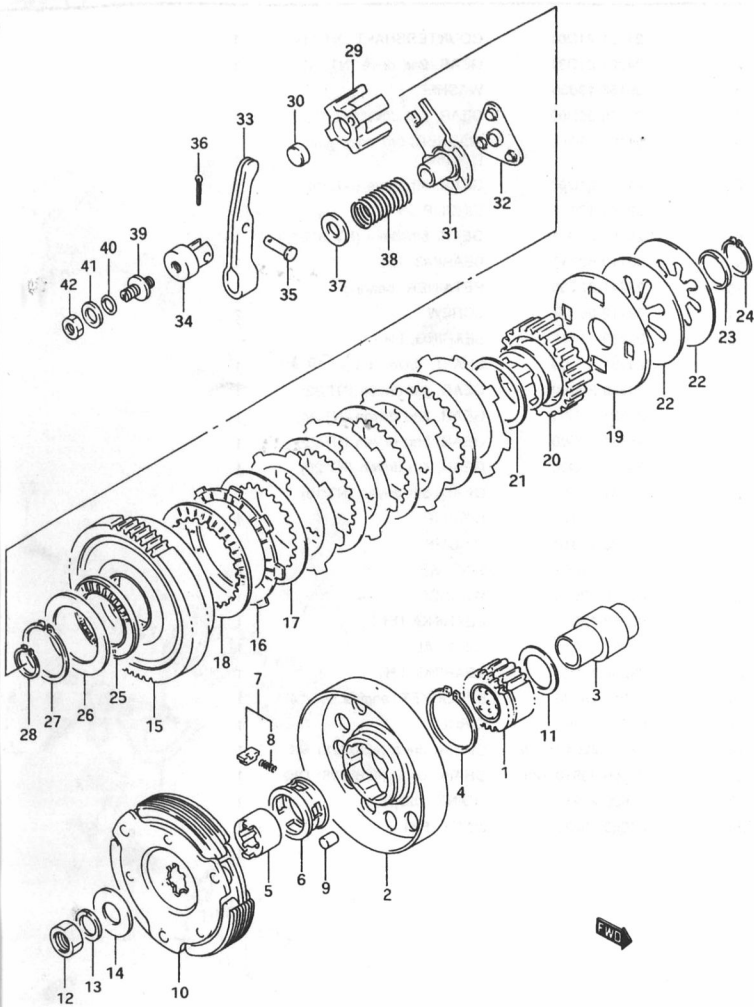


FIG.9 (C-3) CLUTCH

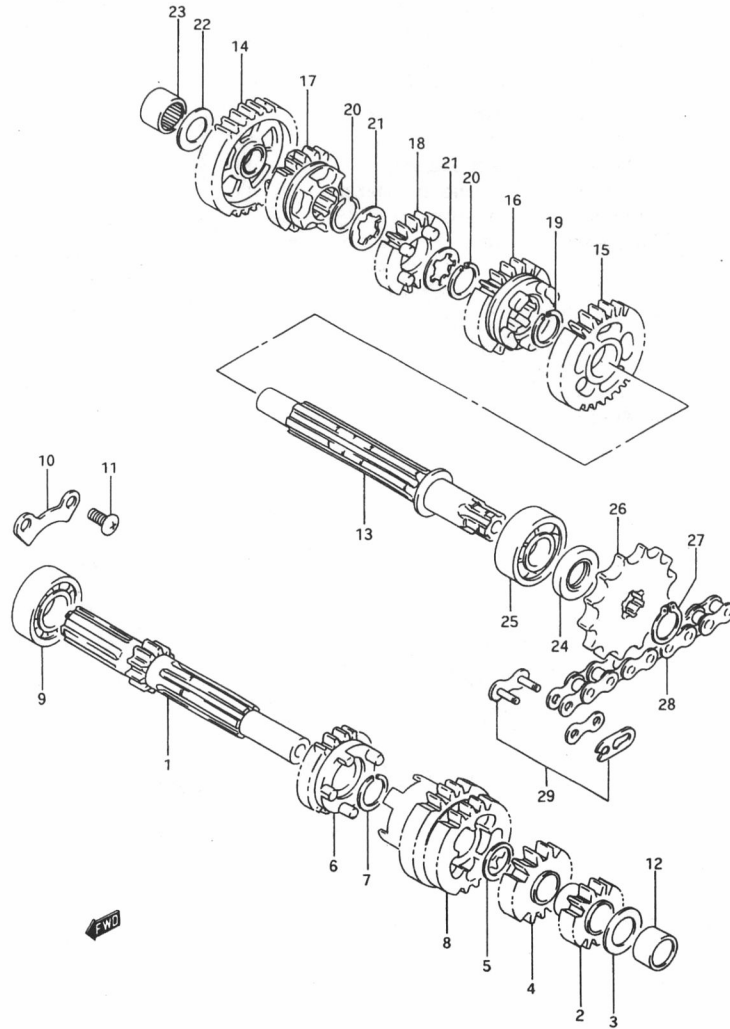
REF. NO.	PART NO.	DESCRIPTION	Q'TY	REMARKS
33	23221-21D01	ARM, release	1	
34	23222-21D00	BOSS, release arm	1	
35	09200-07005	PIN, release arm	1	
36	04111-16158	COTTER PIN	12	
37	08211-10223	WASHER	1	
38	09440-19025	SPRING	1	
39	23223-21D00	BOLT, adjust	1	
40	09280-08012	O RING (D:1.9,ID:7.8)	1	
41	08322-01083	WASHER	1	
42	09140-08012	NUT	1	

2

RG SPORT

2

FIG.10



RG SPORT

FIG.10 (C-4) TRANSMISSION

REF. NO.	PART NO.	DESCRIPTION	Q'TY	REMARKS
1	24121-21D01	COUNTERSHAFT (NT:11)	1	
132.00	2	24221-21D01	GEAR, 2nd drive (NT:14)	1
	3	09160-13006	WASHER	1
140.00	4	24230-38D00	GEAR, 3rd drive (NT:17)	1
	5	09160-13012	WASHER, 3rd drive gear (13x18x1)	1
102.00	6	24241-21D00	GEAR, 4th drive (NT:19)	1
	7	09380-17007	CIRCLIP	1
	8	24251-21D11	GEAR, 5th drive (NT:20/21)	1
	9	08110-62030	BEARING, RH	1
	10	24741-21D00	RETAINER, bearing	1
	11	02112-06123	SCREW	2
	12	09263-13001	BEARING, LH	1
195.70	13	24131-21D00	SHAFT, drive 195.70	1
125.50	14	24310-21D00	GEAR, 1st driven (NT:32)	1
115.90	15	24321-21D01	GEAR, 2nd driven (NT:24)	1
113.00	16	24331-21D00	GEAR, 3rd driven (NT:22)	1
130.30	17	24341-21D00	GEAR, 4th driven (NT:20)	1
100.00	18	24351-21D00	GEAR, 5th driven (NT:18)	1
	19	09380-17010	CIRCLIP	1
	20	09380-17010	CIRCLIP	2
	21	09167-17003	WASHER	2
	22	09160-13006	WASHER	1
	23	09263-13001	BEARING, RH	1
	24	09283-17014	OIL SEAL	1
	25	09262-17023	BEARING, LH	1
	26	27511-26400	SPROCKET, engine (NT:14)	1
	27	08331-31166	CIRCLIP	1
	28-1	27600M20421-128	CHAIN, drive (428x128) RK	1
	28-2	27600-20910-128	CHAIN, drive (428x128) DID	1
	29-1	27620-20910	JOINT (DID)	1
	29-2	27620-05220	JOINT (RK)	1

FIG.11

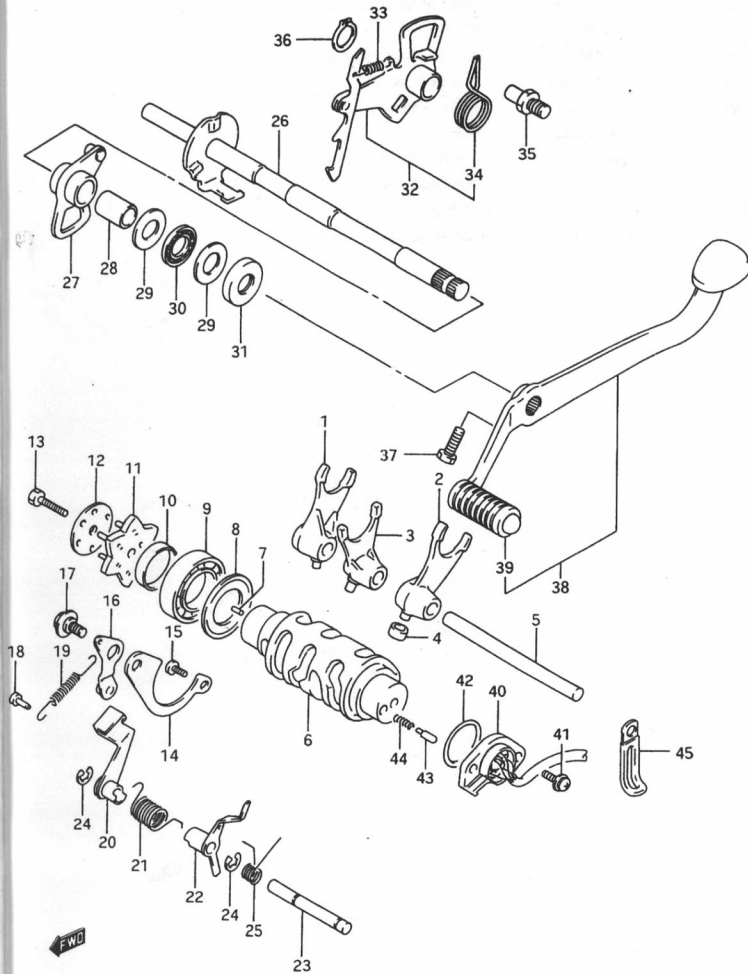


FIG.11 (C-5) GEAR SHIFTING

REF. NO.	PART NO.	DESCRIPTION	QTY	REMARKS
88-90 88-90 88-90	1	25210-21D00	1	FORK, gear shifting, No.1
	2	25220-21D00	1	FORK, gear shifting, No.2
	3	25230-21D00	1	FORK, gear shifting, No.3
	4	09180-06086	3	SPACER (6x9.8x6)
	5	25411-21D01	1	SHAFT, gear shifting
199-60	6	25310-21D00	1	CAM, gear shifting
	7	09261-04012	1	.PIN (4x11.2)
	8	25385-21D00	1	SEAL
	9	08113-69050	1	BEARING, gear shift cam
	10	09180-25097	1	SPACER, gear shift cam
	11	25380-21D00	1	PLATE, gear shift cam
	12	25384-21D00	1	GUIDE, pin
	13	01500-06253	1	BOLT
	14	25341-21D01	1	RETAINER
	15	02112-06123	1	SCREW
	16	25350-21D00	1	STOPPER, cam
	17	09111-06041	1	BOLT
	18	09223-04001	1	HOOK
	19	09443-07041	1	SPRING
	20	25910-21D00	1	SHOE, brake
	21	09448-14045	1	SPRING
	22	25920-21D00	1	CAM, brake
	23	25923-21D00	1	SHAFT, neutral brake
	24	08332-11068	1	E RING
	25	09448-10005	1	SPRING
100-00	26	25510-21D00	1	SHAFT, gear shifting 100 CN
	27	25540-21D00	1	ARM, gear shift link
	28	25534-21D00	1	SPACER
	29	08211-12262	2	WASHER
	30	09263-12019	1	BEARING (12x26x2)
	31	09285-12002	1	OIL SEAL (12x22x9)
5-30	32	25501-21D00	1	ARM ASSY, gear shifting
	33	09443-05020	1	.SPRING
	34	09444-23001	1	.SPRING
	35	25671-36A00	1	STOPPER, arm

2

RG SPORT

2

FIG.11

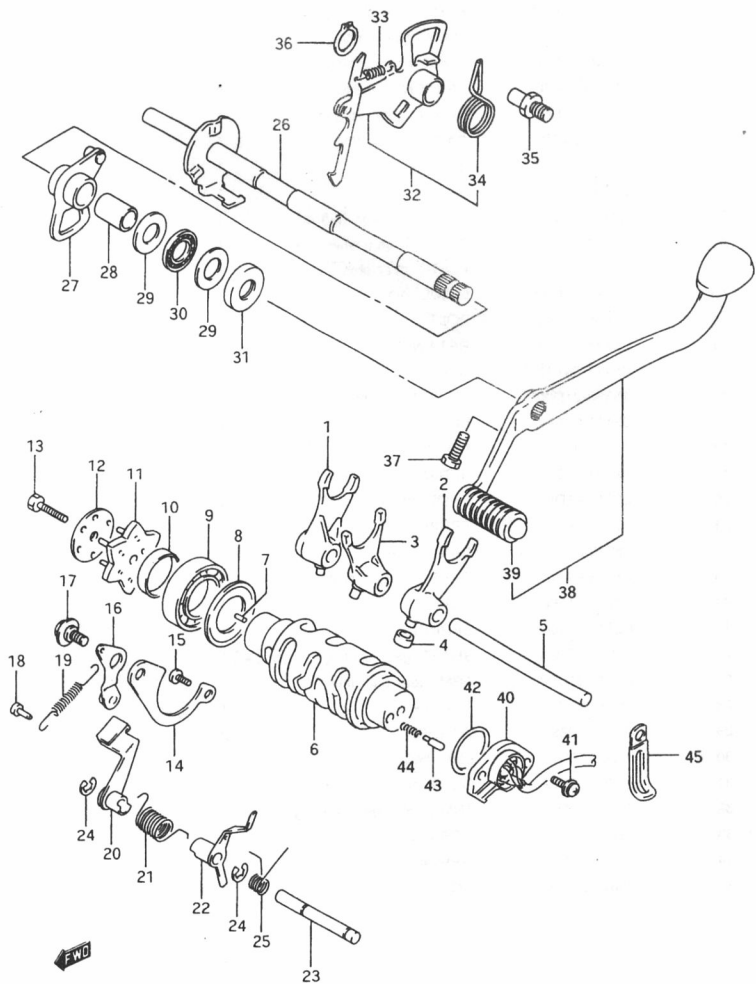


FIG.11 (C-6) GEAR SHIFTING

REF. NO	PART NO.	DESCRIPTION	QTY	REMARKS
36	08331-31146	CIRCLIP, gear shift arm	1	
37	01500-06207	BOLT	1	
38	25600M21D10	LEVER ASSY, gear shifting	1	
39	25652M16500	.RUBBER, pedal	1	
40	37720-11D00	BODY, switch	1	
41	02142-05123	SCREW	2	
42	09280-26003	O RING (D:2.4, ID:26.2)	1	
43	09209-05011	CONTACT, switch	1	
44	09440-04010	SPRING	1	
45	09404-06422	CLAMP (L:50)	1	

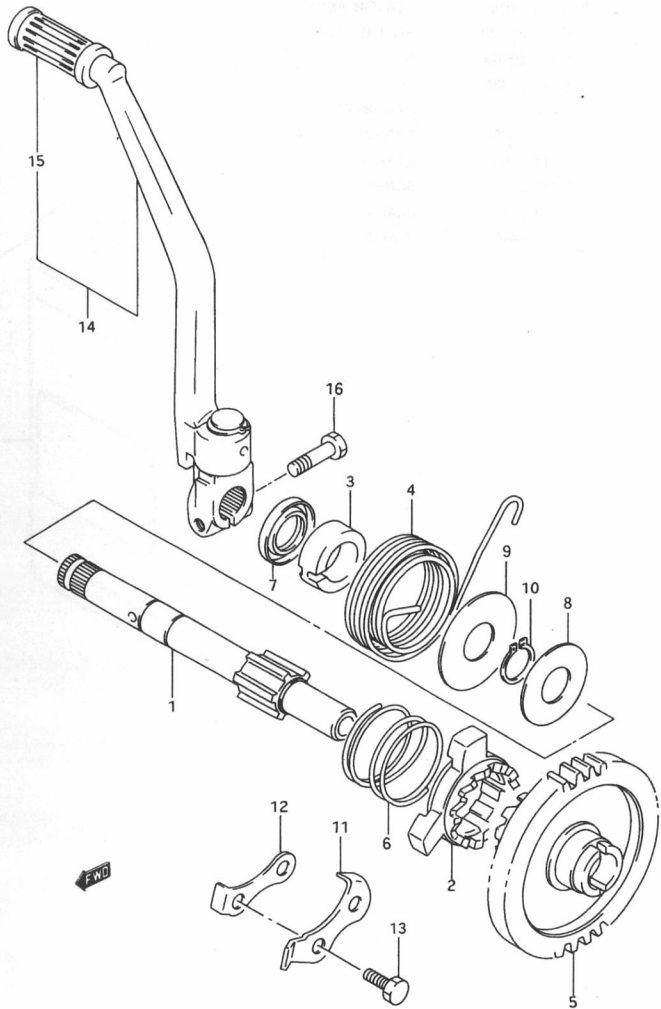
RG SPORT

REMARKS **FIG.12**

FIG.12 (C-7) KICK STARTER

REF. NO.	PART NO.	DESCRIPTION	Q'TY	REMARKS
116.00	1	26211-21D00	1	26211-21D01-000
81.80	2	26231-21D00	1	
5.00	3	26221M21D00	1	Disc
	4	09448-40007	1	
	5	26241-21D00	1	
	6	09440-31002	1	
	7	09285-14001	1	
	8	08211-14321	1	
	9	09160-14042	1	
	10	08331-31149	1	
	11	26232-21D00	1	
	12	26233-35410	1	
	13	01500-06123	2	
59.95	14	26300M21D30	1	26300M21D31A000
	15	26352M01000	1	
	16	01500-06253	1	

2



RG SPORT

FIG.13

3

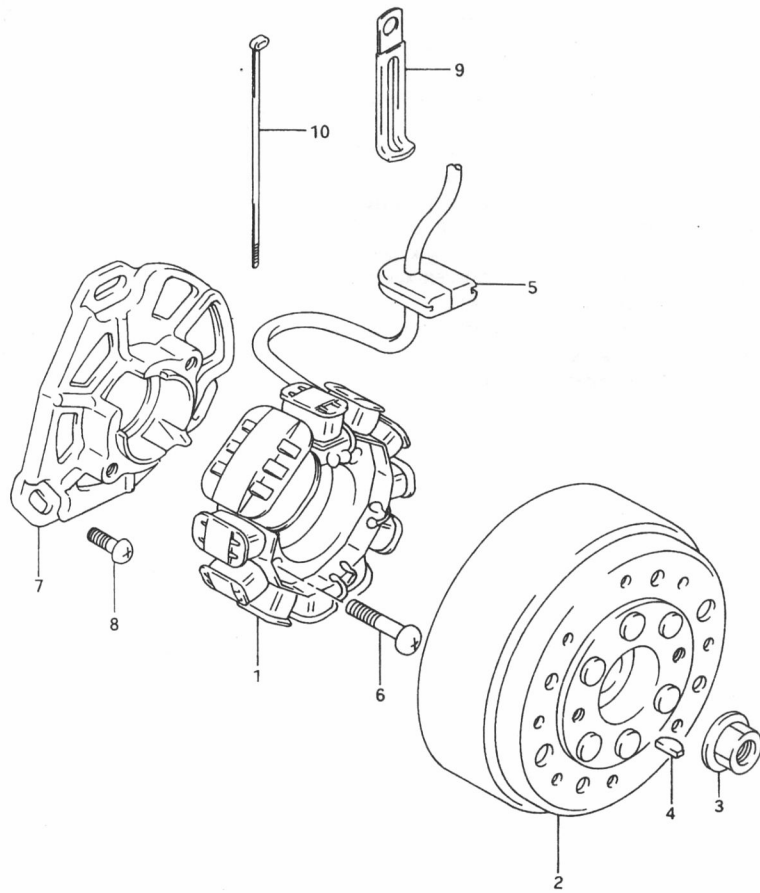


FIG.13 (D-2) MAGNETO

REF. NO.	PART NO.	DESCRIPTION	Q'TY	REMARKS
150-00	1	32101-21D00	1	
215.815	2	32102-21D00	1	Discard
	3	08316-10103	1	
	4	08341-31039	1	
	5	32372-21D00	1	
	6	02112-06253	2	
122.50	7	32111-11B01	1	
	8	02142-05123	3	
	9	09404-06402	1	
	10	09407-14407	1	

FWD

RG SPORT

REMARKS

FIG.14

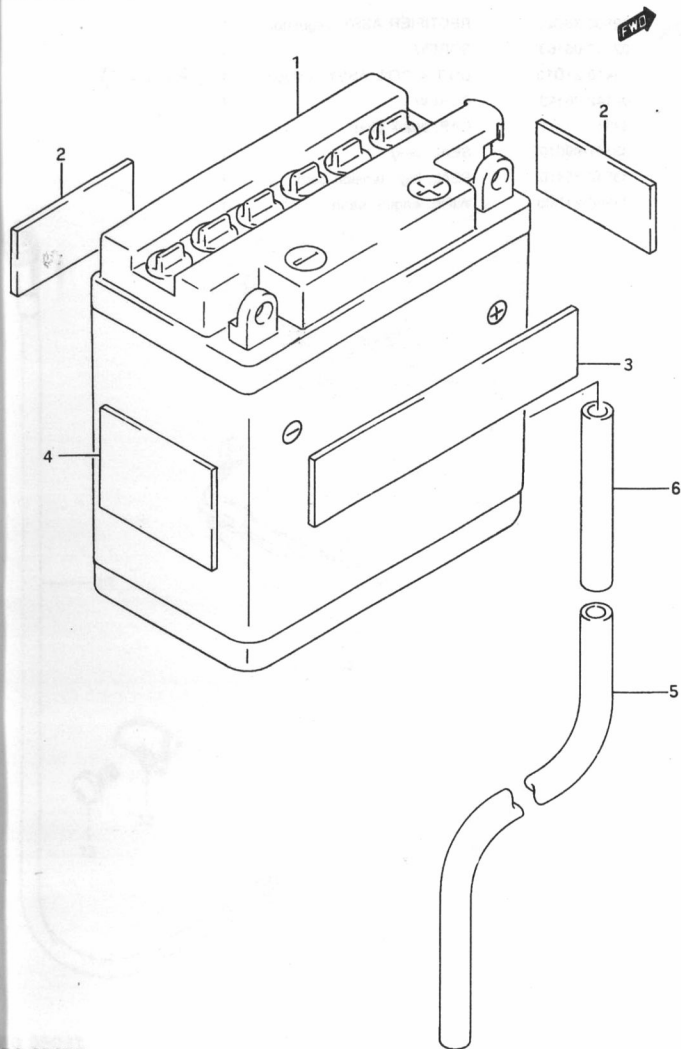


FIG.14 (D-3) BATTERY

REF. NO.	PART NO.	DESCRIPTION	Q'TY	REMARKS
32-00 1	33610M31C10	BATTERY (YB3L-B)	1	
2	33652-41D00	PROTECTOR (25x40x2)	2	
3	33652-38A10	PROTECTOR (20x90x2)	1	
4	33652-36100	PROTECTOR (30x40x2)	1	
5	33680-02110	HOSE, battery exhaust (L:60)	1	
6	33681-21D00	HOSE, battery exhaust (L:50)	1	

3

FIG.15

3

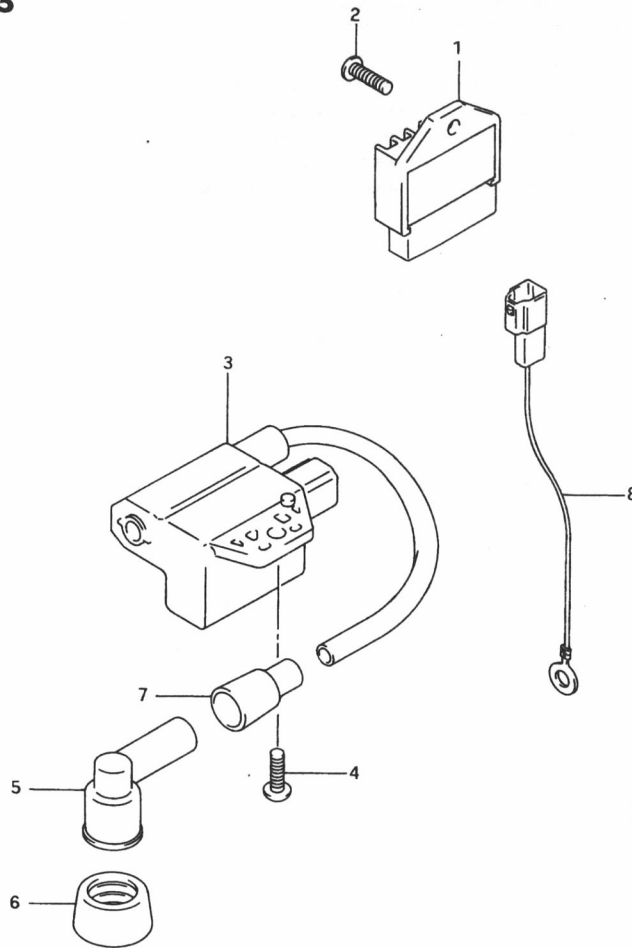


FIG.15 (D-4) ELECTRICAL

REF. NO.	PART NO.	DESCRIPTION	Q'TY	REMARKS
100.90	1	32800-36C20 RECTIFIER ASSY, regulator	1	
2	02112-06163	SCREW	1	
426.308	3	33410-21D10 UNIT & COIL ASSY, ignition	1	371.108/
4	02142-06163	SCREW	1	
5	33510-35411	CAP, spark plug	1	
6	33541-69010	SEAL, plug	1	
7	33542-35410	SEAL, high tension cord	1	
8	33860-21D00	WIRE, engine earth	1	

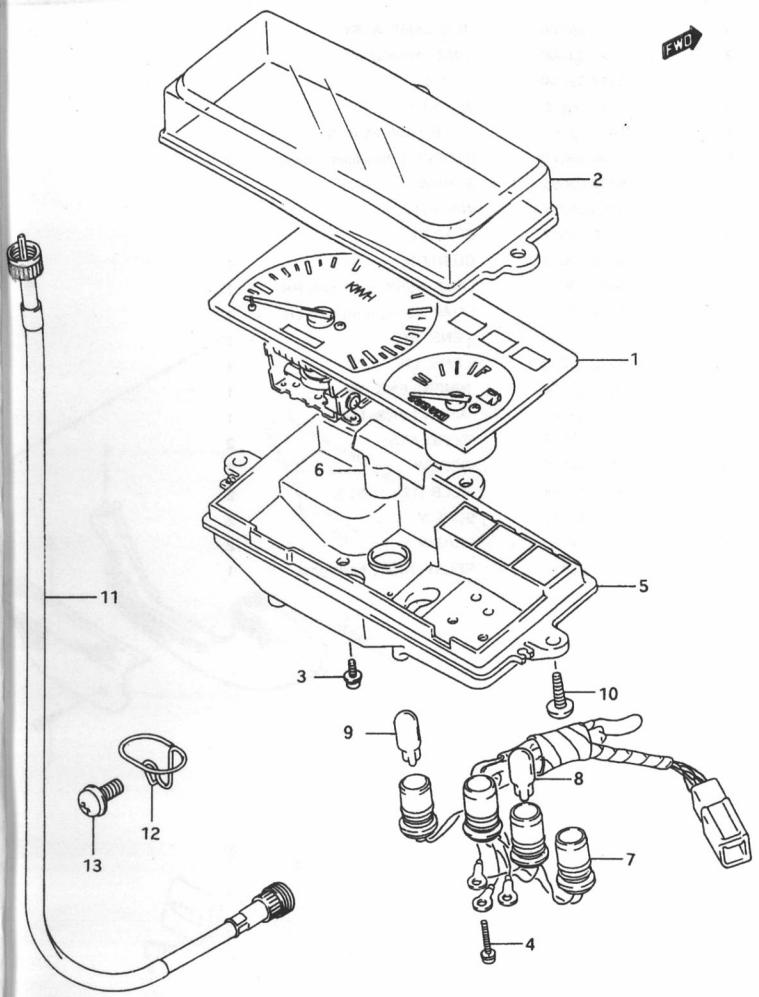


RG SPORT

REMARKS **FIG.16**

FIG.16 (D-5) SPEEDOMETER

REF. NO.	PART NO.	DESCRIPTION	Q'TY	REMARKS
392-90 2-80	1	34120-21D20	1	SPEEDOMETER ASSY
	2	34150-39C00	1	HOOD, meter
	3	02112-74108	2	SCREW
	4	34383-09400	3	SCREW
93-80	5	34111-21D20	1	CASE
	6	34159-36C00	1	SHEAD
93-90	7	34173-21D20	1	SOCKET
	8	09471-12077	1	BULB (12V,1.7W)
	9	09471-12028	1	BULB (12V,3.4W)
	10	03541-05163	3	SCREW
11-00	11	34910M21D10	1	CABLE ASSY, speedometer
	12	34938-21D00	1	GUIDE, speedometer
	13	02112-16163	1	SCREW



3

RG SPORT

FIG.17

3

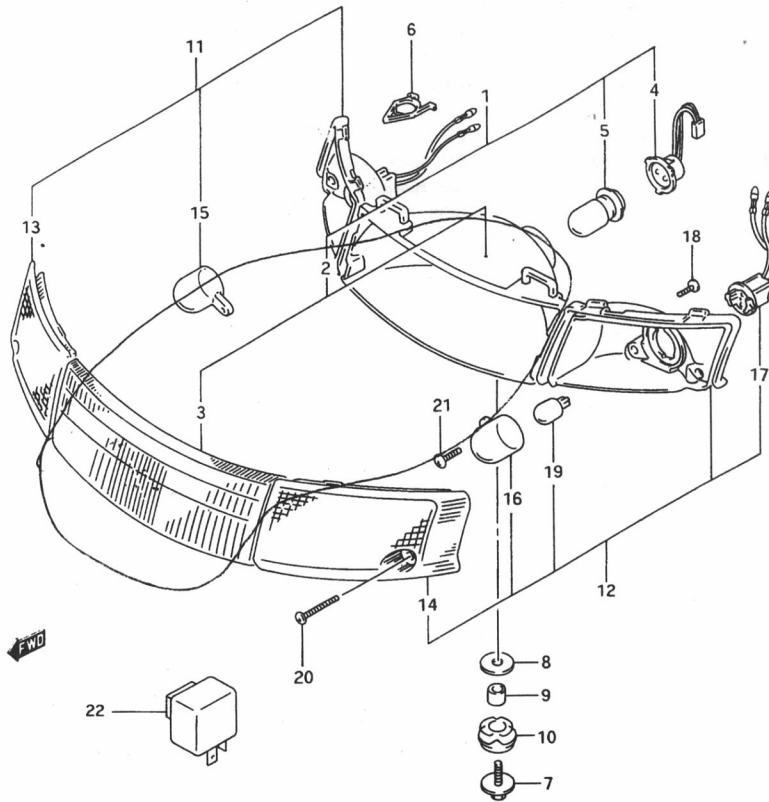


FIG.17 (D-6) HEADLAMP

REF. NO.	PART NO.	DESCRIPTION	Q'TY	REMARK
1	35100-39C00	HEADLAMP ASSY	1	
2	35121-39C00	.UNIT, headlamp	1	
3	35124-39C00	..LENS	1	
4	35171-16A00	..SOCKET	1	
5	09471-12159	.BULB (12V, 25/25W)	1	
6	35194-39C00	STOPPER, headlamp fitting	2	
7	09136-05055	SCREW	1	
8	09160-05011	WASHER	1	
9	09180-05017	SPACER	1	
10	09320-09010	CUSHION	1	
11	35601-39C00	LAMP ASSY, front turn RH	1	
12	35602-39C00	LAMP ASSY, front turn LH	1	
13	35612-39C00	.LENS, RH	1	
14	35632-39C00	.LENS, LH	1	
15	35614-39C00	.INNER LENS, RH	1	
16	35634-39C00	.INNER LENS, LH	1	
17	35618-39C00	.CORD ASSY	2	
18	03511-04146	.SCREW	2	
19	09471-12114	.BULB (12V,10W)	2	
20	03511-04253	SCREW	2	
21	03541-04123	SCREW	2	
22	38610-09410	RELAY ASSY, turnsignal	1	

RG SPORT

REMARK

FIG.18

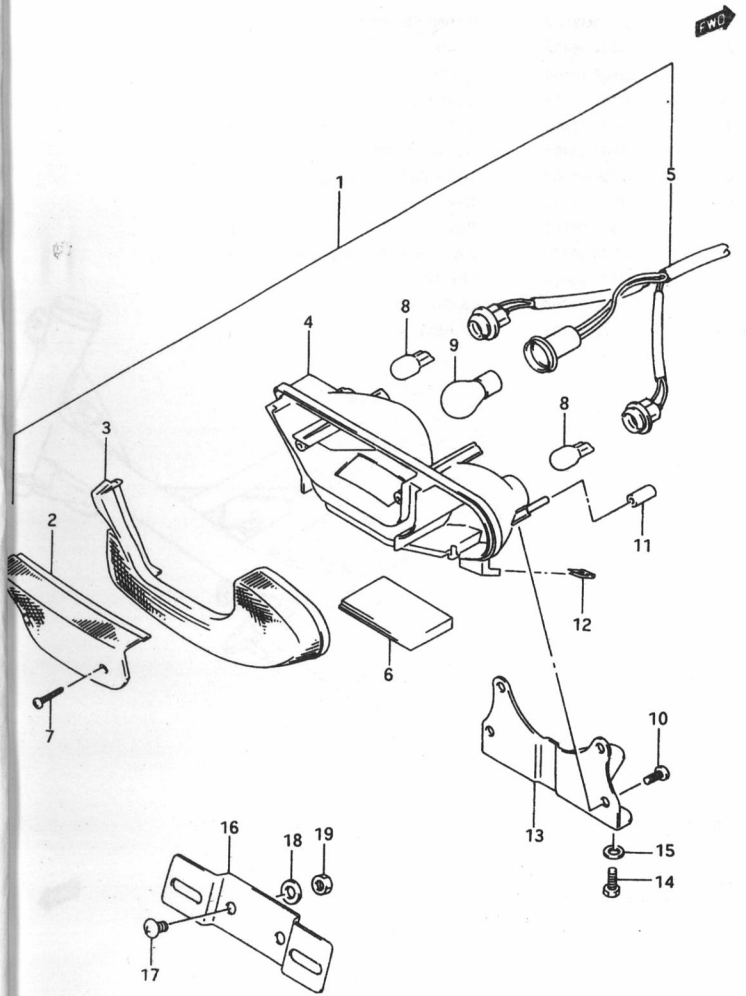


FIG.18 (D-7) REAR COMBINATION LAMP

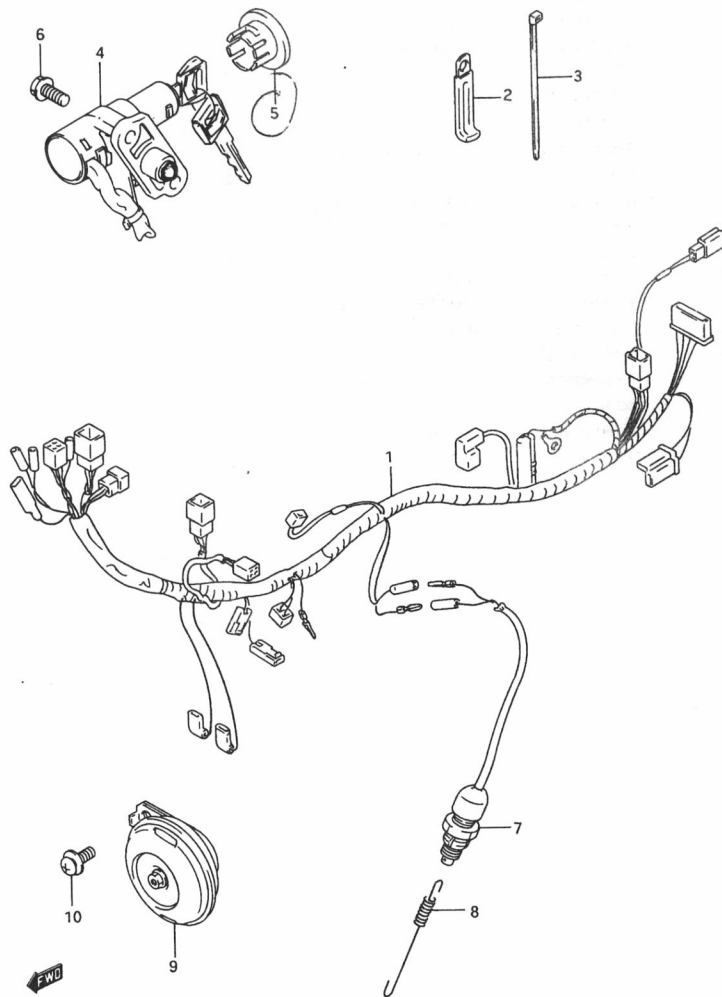
REF. NO.	PART NO.	DESCRIPTION	Q'TY	REMARKS
1	35710M21D10	LAMP ASSY, rear combination	1	
2	35712M21D10	.LENS, tail	1	
3	35612M21D10	.LENS, rear turn	1	
4	35715M21D10	.HOUSING	1	
5	35718M21D10	.CORD	1	
6	35912M21D10	.LENS, license	1	
7	03511-04203	.TAPPING SCREW	2	
8	09471-12114	.BULB, turn	2	
9	09471-12127	.BULB, tail	1	
10	03541-05123	SCREW	4	
11	09352-50823-015	CUSHION	2	
12	09148-05004	NUT	8	
13	35730M21D00	BRACKET, tail lamp	1	
14	01500-06163	BOLT	3	
15	09160-06093	WASHER	3	
16	35927M36510	BRACKET, license plate	1	
17	02142-06123	SCREW	2	
18	09160-06093	WASHER	2	
19	08310-00063	NUT	2	

3

G SPORT

FIG.19

3



RG SPORT

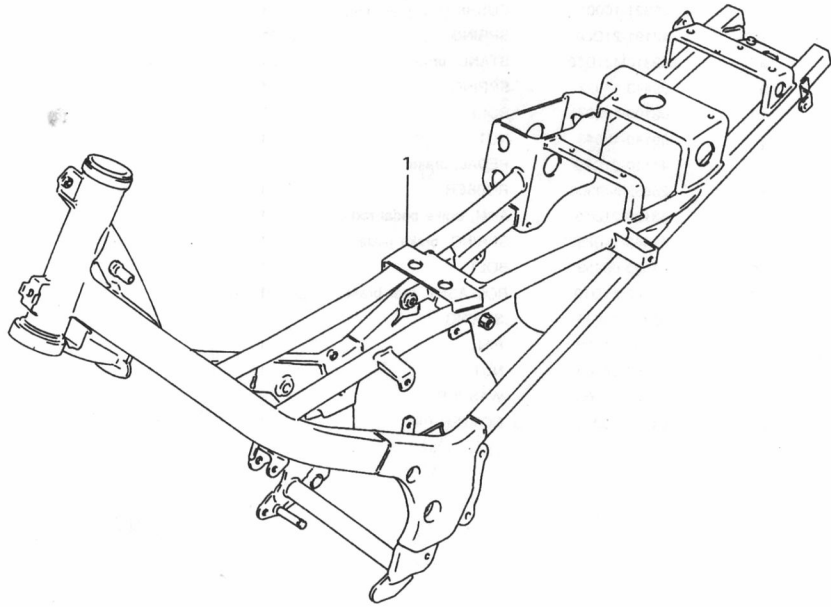
FIG.19 (D-8) WIRING HARNESS

REF. NO.	PART NO.	DESCRIPTION	QTY	REMARKS
1	36610M21D20	HARNESS, wiring	1	
2	09404-06402	CLAMP	1	
3-1	09407-10404	CLAMP	1	
3-2	09407-14403	CLAMP	3	
3-3	09407-18402	CLAMP	4	
3-4	09407-25401	CLAMP (L:235)	1	
4	37100-31000	LOCK ASSY, steering	1	
5	37155M31000	CAP	1	
6	01550-06163	BOLT	2	
7	37740-04A10	SWITCH ASSY, stop lamp	1	
8	09443-06027	SPRING	1	
9	38500-21D10	HORN ASSY	1	
10	02112-16123	SCREW	1	

FIG.20

FIG.20 (E-2) FRAME

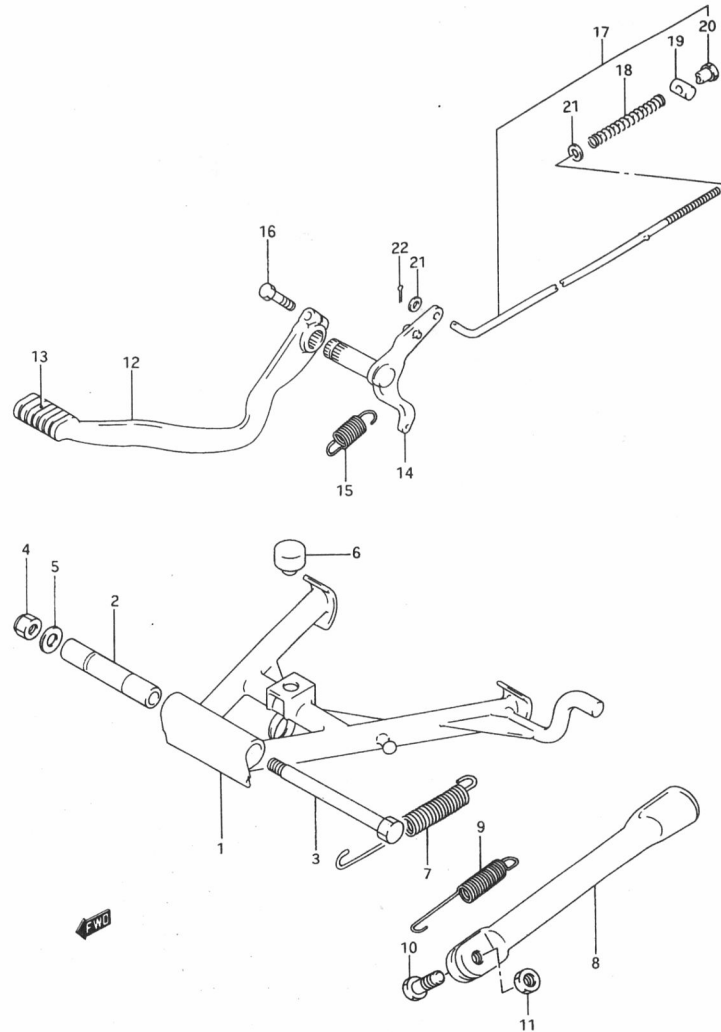
REF. NO.	PART NO.	DESCRIPTION	Q'TY	REMARKS
1	41100M21D20	FRAME	1	



FWD

RG SPORT

FIG.21



4

RG SPORT

FIG.21 (E-3) STAND - REAR BRAKE

REF. NO.	PART NO.	DESCRIPTION	Q'TY	REMARKS
1	42100M21D10	STAND, center	1	
2	42211-03001	SPACER, center stand	1	
3	42129-21D00	BOLT	1	
4	08319-21106	NUT	1	
5	09160-10005	WASHER	1	
6	09321-10001	CUSHION, center stand	1	
7	42191-21D00	SPRING	1	
8	42310M21D10	STAND, prop	1	
9	09443-14022	SPRING	1	
10	09100-10007	BOLT	1	
11	09140-10043	NUT	1	
12	43110-21D20	PEDAL, brake	1	
13	25652M49300	RUBBER	1	
14	43120-21D10	ARM, brake pedal rod	1	
15	09443-14025	SPRING, brake pedal	1	
16	01500-06253	BOLT	1	
17	43300-21D10	ROD ASSY, rear brake	1	
18	09440-09035	.SPRING	1	
19	09209-11002	.PIN	1	
20	09150-06009	.NUT	1	
21	08322-01063	.WASHER	2	
22	04111-20208	.COTTER PIN	1	

FIG.22

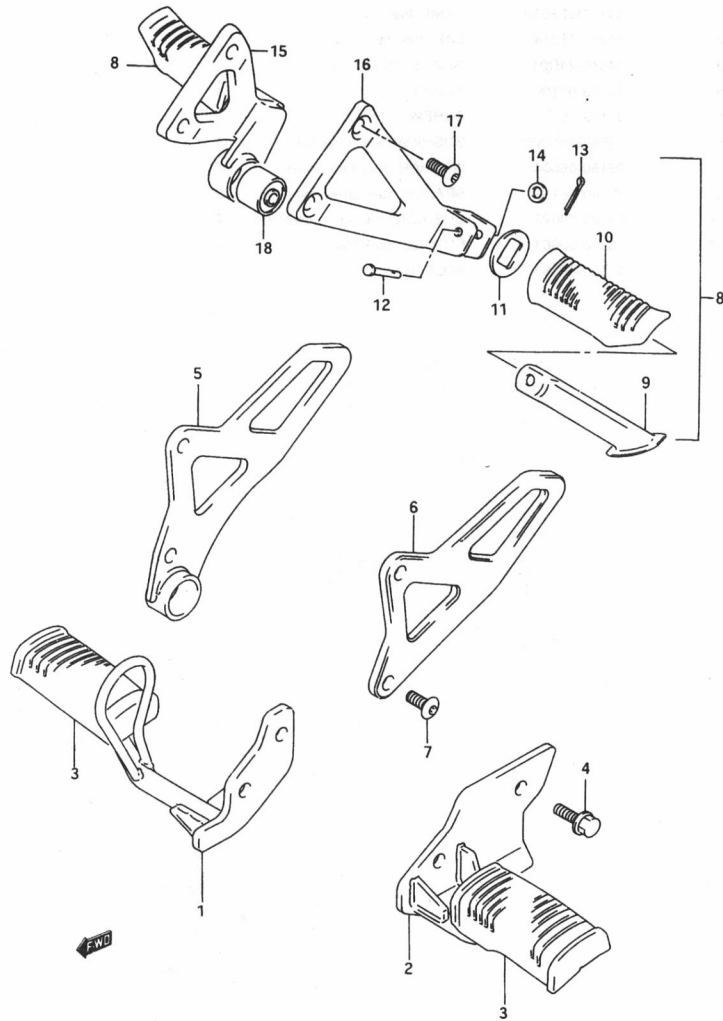
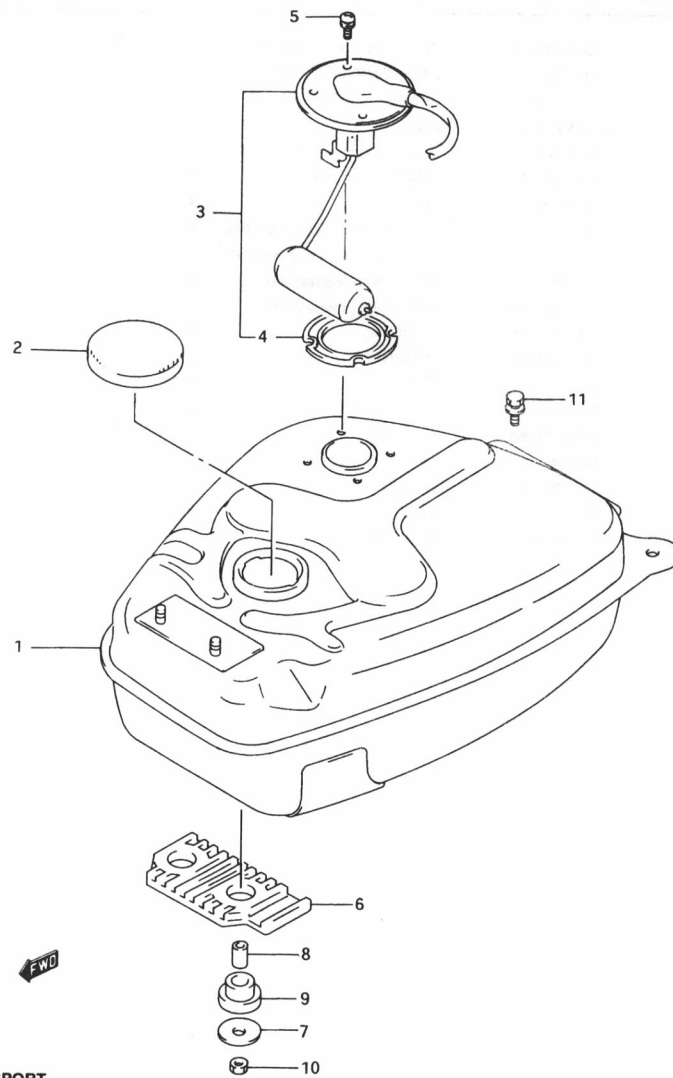


FIG.22 (E-4) FOOTREST

REF. NO.	PART NO.	DESCRIPTION	QTY	REMARKS
1	43510M21D00	BAR COMP. FOOTREST FRT R	1	
2	43550M21D10	BAR COMP. FOOTREST FRT L	1	
3	43551M39110	RUBBER	2	
4	01550-08203	BOLT	4	
5	43580M21D10	GUARD, front footrest RH	1	
6	43591M21D10	GUARD, front footrest LH	1	
7	09106-08111	BOLT	4	
8-1	43600M21D00	FOOTREST ASSY, pillion RH	1	
8-2	43700M21D00	FOOTREST ASSY, pillion LH	1	
9-1	43610M34A00	.BAR, pillion footrest RH	1	
9-2	43710M34A00	.BAR, pillion footrest LH	1	
10	43612M21D00	.RUBBER	2	
11	43631M34A01	.WASHER	2	
12	09200-06057	.PIN	2	
13	04111-25158	.COTTER PIN	2	
14	08322-01063	.WASHER	2	
15	43810M21D10	BRACKET, pillion RH	1	
16	43820M21D10	BRACKET, pillion LH	1	
17	09106-08111	BOLT	4	
18	09319-08028	BUSH, muffler	1	

4

FIG.23



RG SPORT

FIG.23 (E-5) FUEL TANK

REF. NO.	PART NO.	DESCRIPTION	QTY	REMARKS
1	44110M21D10	TANK, fuel	1	
2	44210-35014	CAP, fuel tank	1	
3	34810-21D01	GUAGE ASSY, fuel level	1	
4	34825-02100	GASKET	1	
5	02112-35123	SCREW	4	
6	44542M21D00	CUSHION, fuel tank lower	1	
7	09160-06004	WASHER, fuel tank lower	2	
8	09180-06169	SPACER, fuel tank lower	2	
9	09320-10022	CUSHION, fuel tank lower No.2	2	
10	08310-00063	NUT, fuel tank lower	2	
11	01550-06163	BOLT, rear	2	

FIG.24

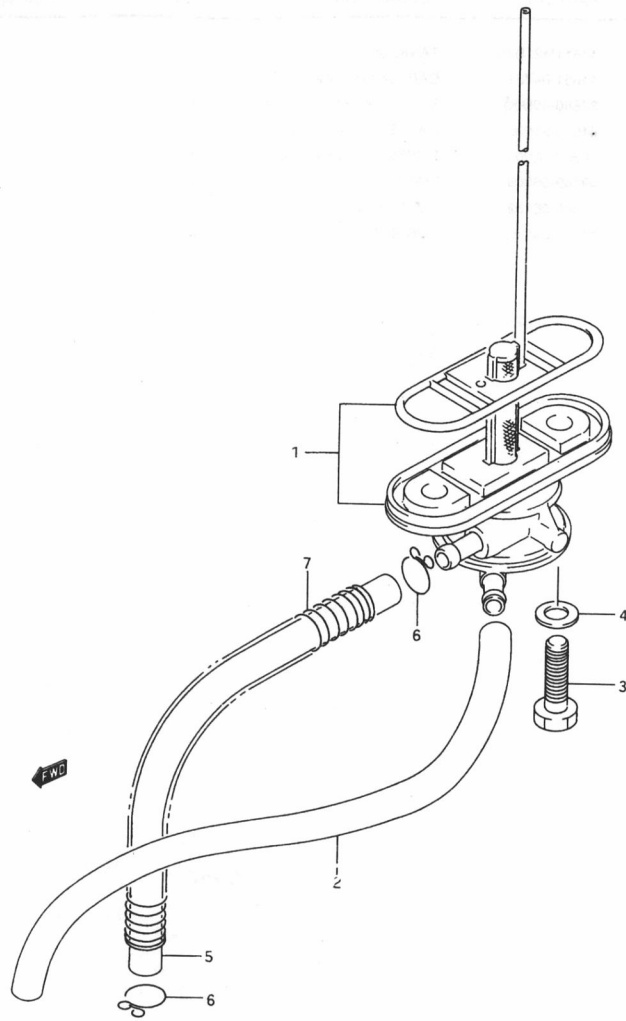


FIG.24 (E-6) FUEL COCK

REF. NO.	PART NO.	DESCRIPTION	Q'TY	REMARKS
1	44300-21D00	COCK ASSY, fuel	1	
2	44421-21D00	HOSE, fuel	1	
3	09128-06006	SCREW, fuel cock	2	
4	09168-06026	GASKET, fuel cock	2	
5	09352-50823-440	HOSE, vacuum	1	
6	09401-08401	CLIP, fuel hose	1	
7	09440-10022	SPRING, fuel hose	1	

4

FIG.25

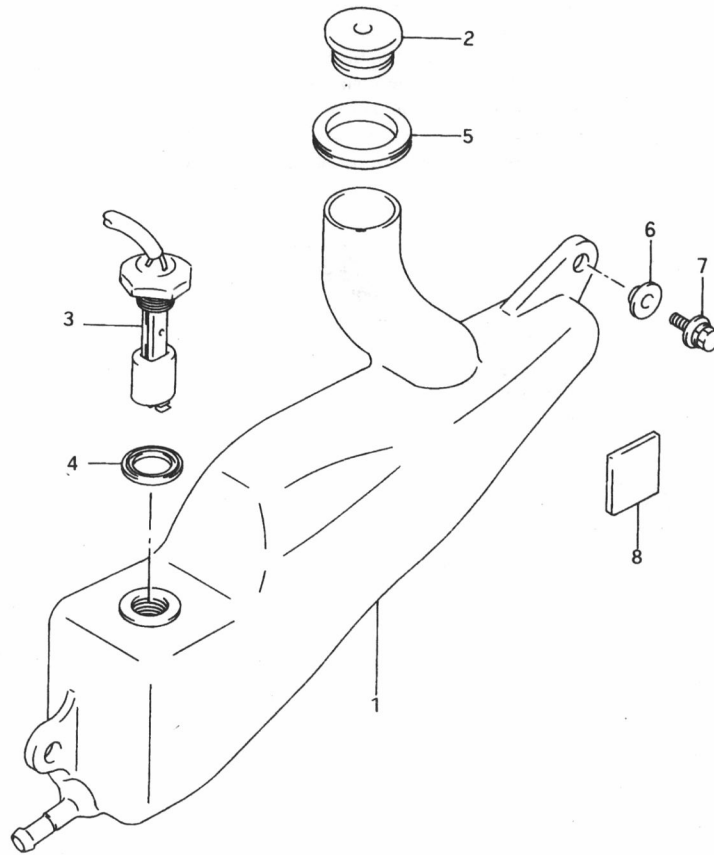


FIG.25 (E-7) OIL TANK

REF. NO.	PART NO.	DESCRIPTION	Q'TY	REMARKS
1	44611M21D10	TANK, oil	1	
2	44651-04701	CAP, oil tank filler	1	
3	37880-40D00	SWITCH ASSY, oil level	1	
4	44643-31000	GASKET, oil level switch	1	
5	44667-12900	RUBBER, oil tank inlet	1	
6	09169-06059	WASHER	2	
7	01500-06163	BOLT, oil tank	2	
8	44281-29C00	CUSHION	2	

4

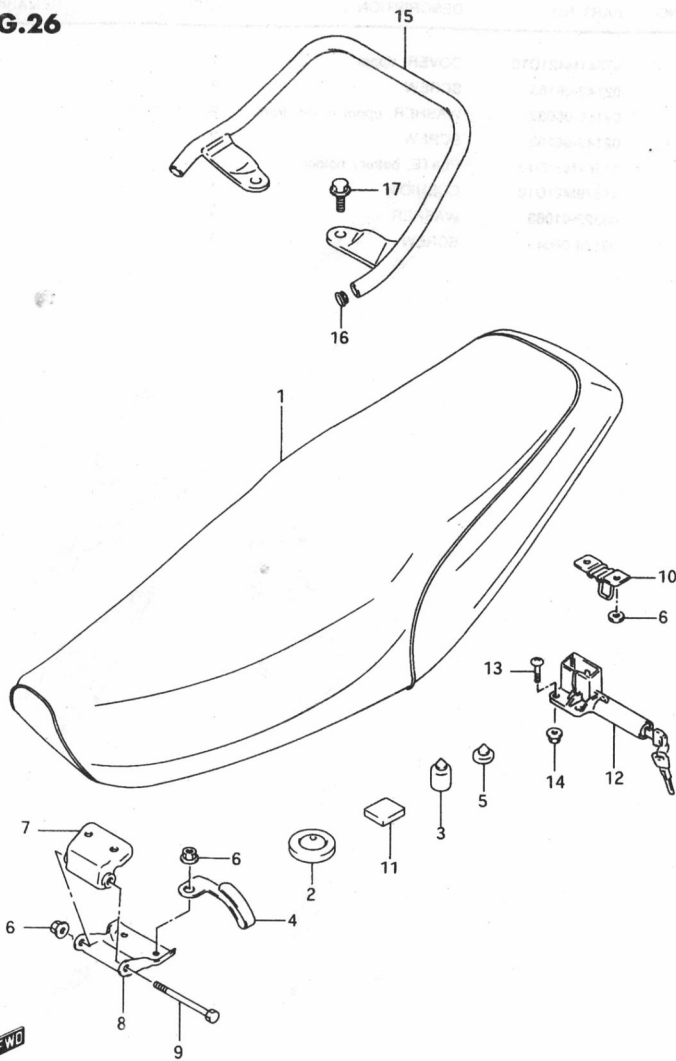


RG SPORT

FIG.26

FIG.26 (E-8) SEAT

REF. NO.	PART NO.	DESCRIPTION	QTY	REMARKS
1	45100M21D10	SEAT ASSY	1	
2	09321-14005	.CUSHION	2	
3	45149M35410	.CUSHION, rear	4	
4	45283M21D10	.HOLDER, helmet	1	
5	09321-10012	.CUSHION	3	
6	08316-26063	.NUT	5	
7	45210M21D10	.BRACKET, seat support, front	1	
8	45280M21D10	.BRACKET, seat support, lower	1	
9	09111-06001	.BOLT	1	
10	45210M21D00	.STRIKER, seat lock	1	
11	45181M21D10	.CUSHION, tool	1	
12	45700-21D01	LOCK, seat	1	
13	02112-06203	SCREW	2	
14	08316-20063	NUT	2	
15	46210M21D10	HANDLE, pillion rider	1	
16	09250M14005	PLUG	2	
17	01550-10203	BOLT	2	



FWD

RG SPORT

4

FIG. 27

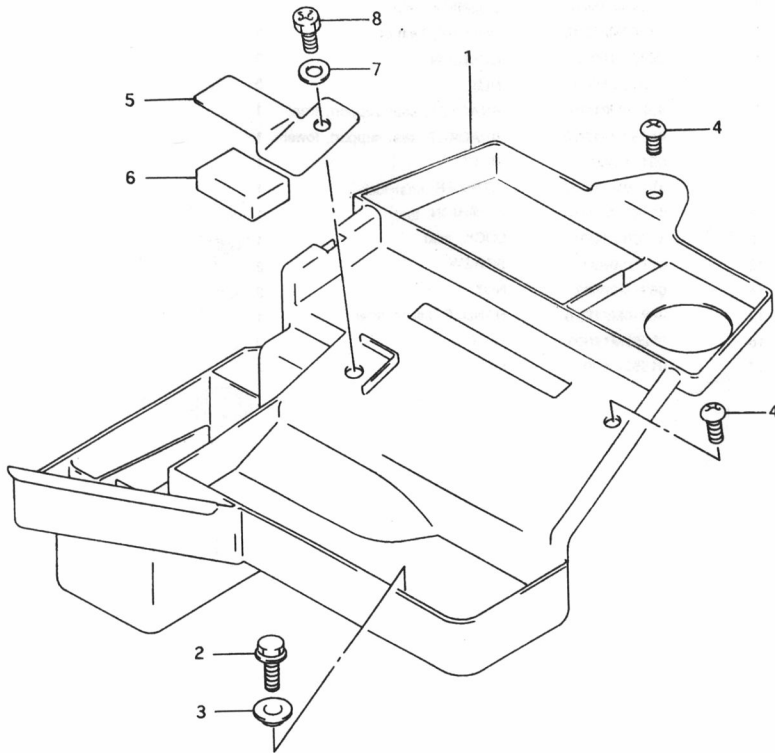


FIG. 27 (E-9) UPPER COVER

REF. NO.	PART NO.	DESCRIPTION	Q'TY	REMARKS
1	47341M421D10	COVER, upper	1	
2	02142-06163	SCREW	2	
3	09169-06033	WASHER, upper cover, front	2	
4	02142-06163	SCREW	2	
5	41561M21D10	PLATE, battery holder	1	
6	41579M21D10	CUSHION	1	
7	08322-01063	WASHER	1	
8	09128-06049	SCREW	1	

4

FWD

RG SPORT

FIG.28

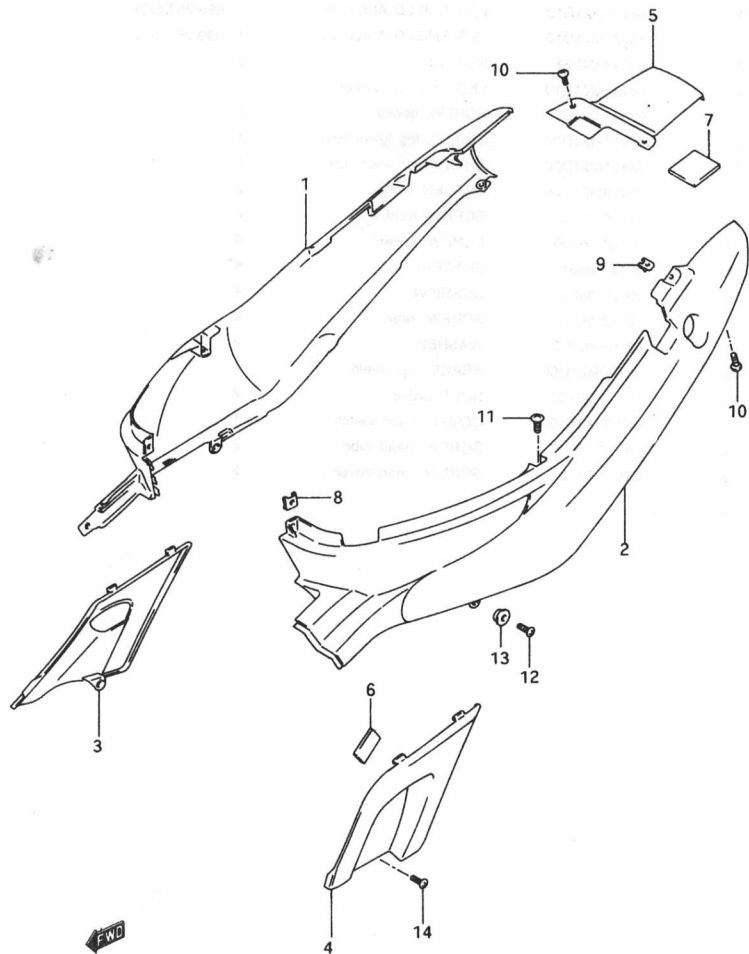


FIG.28 (E-10) FRAME COVER

REF. NO.	PART NO.	DESCRIPTION	Q'TY	REMARKS
1	47111M21D20	COVER, frame RH	1	099/257/OOK
2	47211M21D20	COVER, frame LH	1	099/257/OOK
3	47131M21D10	COVER, side lower RH	1	
4	47231M21D10	COVER, side lower LH	1	
5	47311M21D10	COVER, side rear	1	009/257/OOK
6	33652-35400	CUSHION, side lower LH	1	
7	33652-20C00	CUSHION, rear	1	
8	09148-05004	NUT, front middle	1	
9	09148-05004	NUT, rear	2	
10	03241-05163	SCREW, rear	4	
11	02142-05163	SCREW, front upper	2	
12	02142-06123	SCREW, center lower	2	
13	09169-06033	WASHER, center lower	2	
14	02142-06163	SCREW, front lower	2	

4

FIG.29

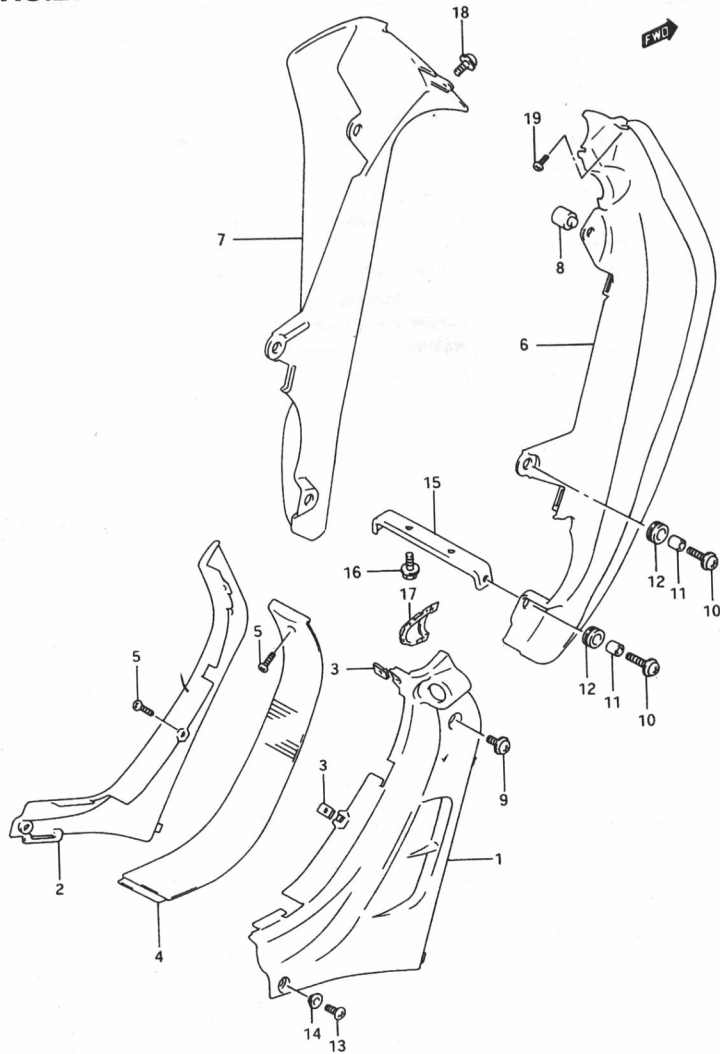


FIG.29 (E-11) LEG SHIELD

REF. NO.	PART NO.	DESCRIPTION	Q'TY	REMARKS
1	48111M21D10	LEG SHIELD ASSY, RH	1	099/257/OOK
2	48121M21D10	LEG SHIELD ASSY, LH	1	099/257/OOK
3	09148-04024	NUT, RH	2	
4	48131M21D10	LEG SHIELD, center	2	
5	03541-04203	SCREW, center	2	
6	48161M21D00	SHIELD, leg lower RH	1	
7	48171M21D00	SHIELD, leg lower LH	1	
8	48198M21D00	SPACER, front	2	
9	09136-06113	SCREW, front	2	
10	09136-06009	SCREW, lower	4	
11	09180-06011	SPACER	4	
12	09320-09026	CUSHION	4	
13	02142-06127	SCREW, rear	2	
14	09169-06072	WASHER	2	
15	48180M21D00	BRACE, leg shield	1	
16	01570-06123	BOLT, brace	2	
17	48272M21D00	COVER, main switch	1	
18	09136-06017	SCREW, head tube	2	
19	03541-04123	SCREW, head cover	2	

RG SPORT

FIG.30

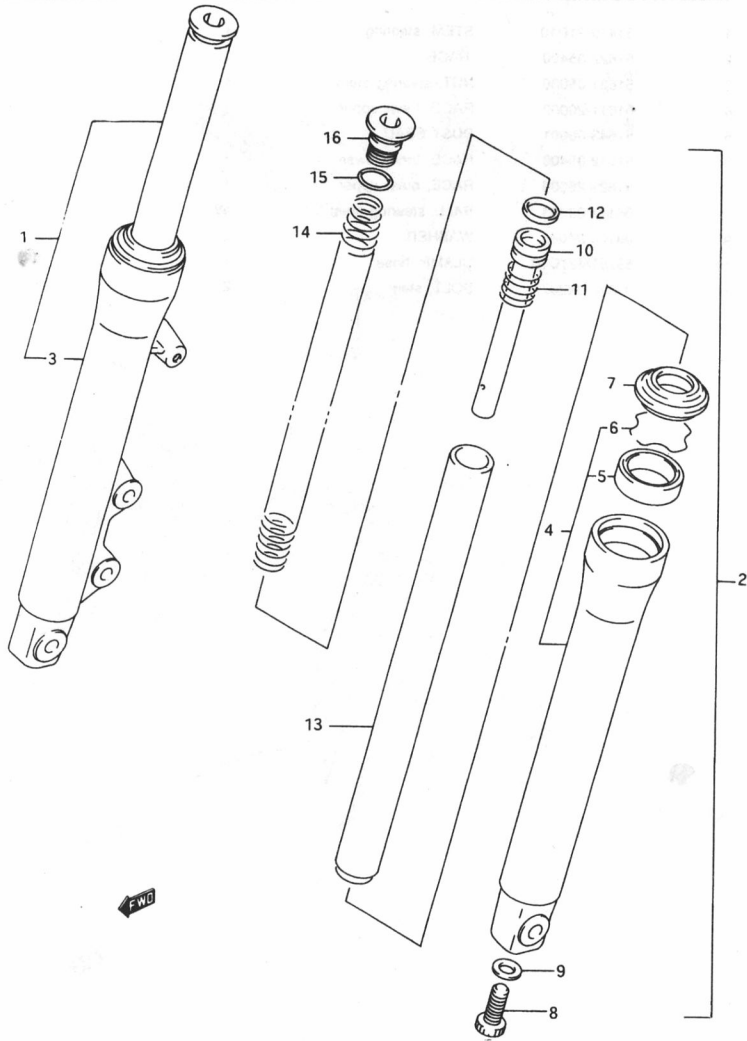


FIG.30 (F-2) FRONT DAMPER

REF. NO.	PART NO.	DESCRIPTION	Q'TY	REMARKS
1	51103M21D11	DAMPER ASSY, RH	1	
2	51104M21D11	DAMPER ASSY, LH	1	
3	51130M21D11	.TUBE, outer RH	1	
4	51140M21D11	.TUBE, outer LH	1	
5	51153-39140	.OIL SEAL	2	
6	51156-39140	.RING, snap	2	
7	51173-21D00	.DUST SEAL	2	
8	51147-16510	.BOLT, cylinder	2	
9	51148-41310	.GASKET	2	
10	51146-21D00	.CYLINDER	2	
11	51177-35400	.SPRING	2	
12	51196-39140	.RING	2	
13	51110M21D10	.TUBE, inner	2	
14	51171-21D10	.SPRING	2	
15	51181-37800	.O RING	2	
16	51351-21D10	.CAP	2	

RG SPORT

4

FIG.31

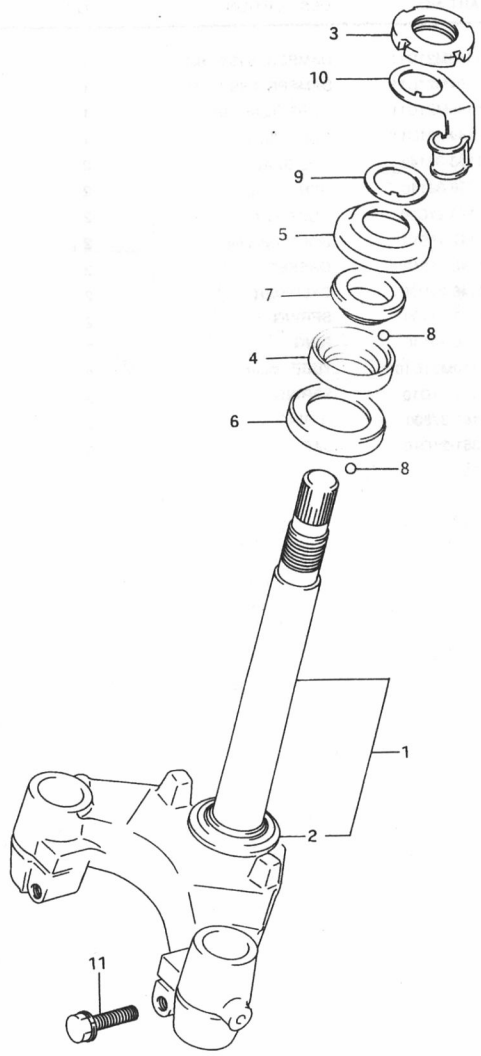


FIG.31 (F-3) STEERING STEM

REF. NO.	PART NO.	DESCRIPTION	Q'TY	REMARKS
1	51410-21D10	STEM, steering	1	
2	51622-35400	RACE	1	
3	51631-05000	NUT, steering stem	1	
4	51611-20002	RACE, inner upper	1	
5	51643-06001	DUST SEAL	1	
6	51612-35400	RACE, inner lower	1	
7	51621-25000	RACE, outer upper	1	
8	06111-06003	BALL, steering steel	49	
9	09166-24001	WASHER	1	
10	59251M21D10	CLAMP, hose	1	
11	01570-08307	BOLT, stem	2	

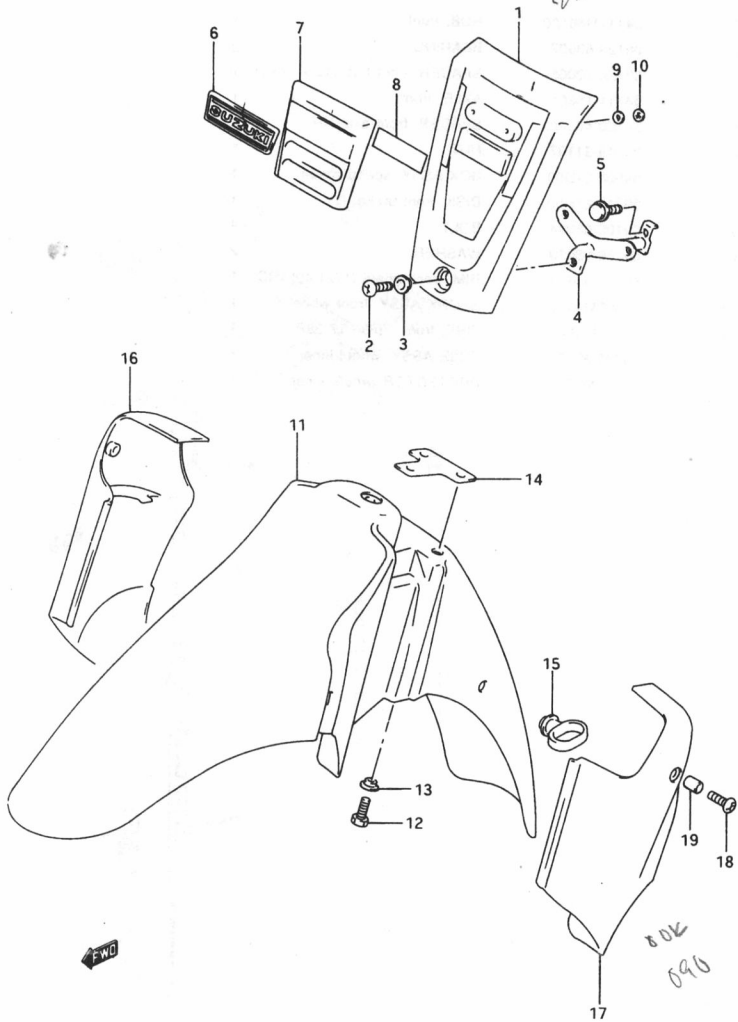
4

RG SPORT

FIG.32

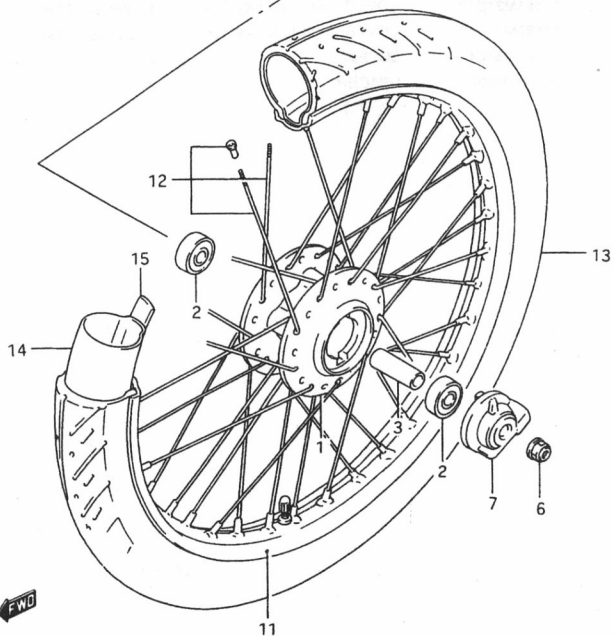
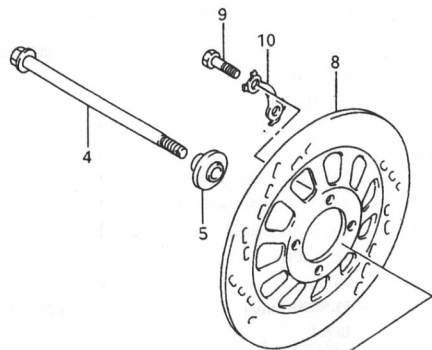
FIG.32 (F-4) FRONT FENDER

REF. NO.	PART NO.	DESCRIPTION	Q'TY	REMARKS
1	51871M21D10	COVER, frame head	1	099/257/OOK
2	02142-06167	SCREW	1	
3	09169-06033	WASHER	1	
4	51860M21D00	TUBE, head cover	1	
5	01550-06123	BOLT	1	
6	51876M21D00	EMBLEM; head cover	1	
7	51875M21D00	DECORATION, head cover	1	
8	51895M21D00	TAPE, decoration	1	
9	09161-02001	WASHER	2	
10	09148-03003	NUT	2	
11	53111M21D10	FENDER, front	1	099/257/OOK
12	01500-06163	BOLT	3	
13	09169-06060	WASHER	3	
14	53124M35400	REINFORCEMENT, front fender	1	
15	58621-21203	GUIDE, cable	1	
16	51881M21D10	COVER, front fork side RH	1	099/257/OOK
17	51882M21D10	COVER, front fork side LH	1	099/257/OOK
18	02142-06167	SCREW	2	
19	09180-06092	SPACER	2	



4

FIG.33



RG SPORT

FIG.33 (F-5) FRONT WHEEL

REF. NO.	PART NO.	DESCRIPTION	QTY	REMARKS
1	54111M46100	HUB, front	1	
2	08123-63007	BEARING	2	
3	09180-10005	SPACER, front hub (10.2x16x51)	1	
4	54711-13601	AXLE, front	1	
5	54750-46100	SPACER, front axle RH	1	
6	08319-31107	NUT	1	
7	54600-21D00	BOX ASSY, speedometer	1	
8	59211-21D50	DISK, front brake	1	
9	09100-08094	BOLT	4	
10	09169-08019	WASHER	2	
11	55311M46100	RIM, front wheel (17x1.40) IRC	1	
12	55320M46100	SPOK ASSY, front wheel	1	
13	55110M38D00	TIRE, front (70/90-17 38P)	1	
14	55200M01011	TUBE ASSY, wheel inner	1	
15	55261M01010	PROTECTOR, wheel inner	1	

4

FIG.34

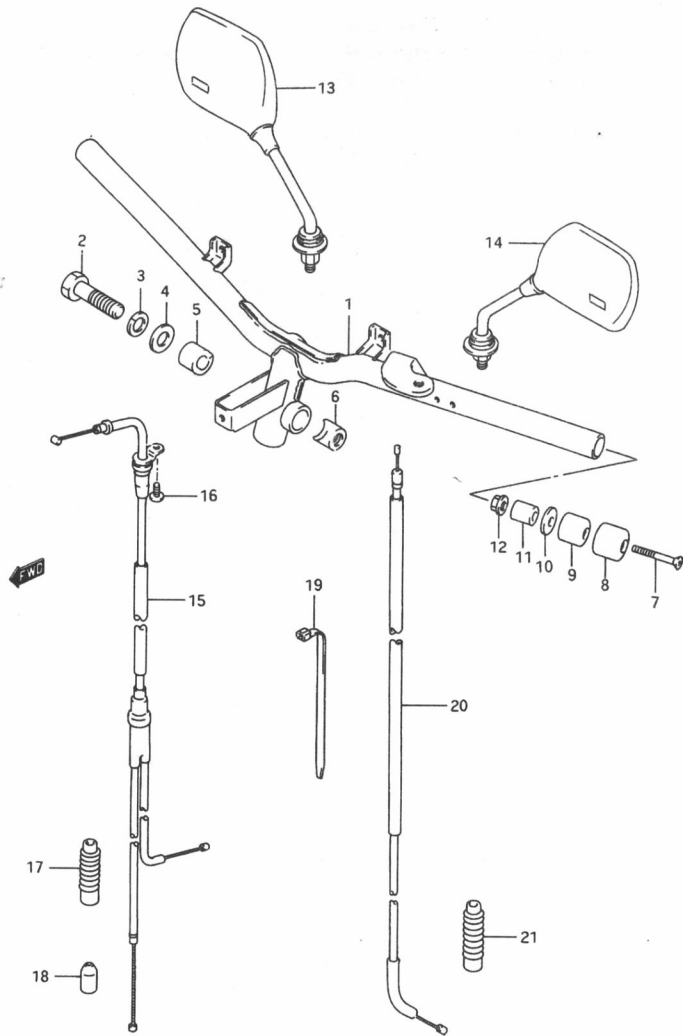


FIG.34 (F-6) HANDLEBAR

REF. NO.	PART NO.	DESCRIPTION	Q'TY	REMARKS
1	56110M21D10	HANDLEBAR	1	
2	09100-12061	BOLT	1	
3	08321-01123	WASHER	1	
4	08322-01123	WASHER	1	
5	51358-35410	STOPPER, RH	1	
6	51359-35402	STOPPER, LH	1	
7	02122-06503	SCREW	2	
8	56274-33400	CAP, balancer	2	
9	56271-33400	BALANCER, handlebar	2	
10	56275-34400	SPACER, balancer	2	
11	56272-44500	EXPANDER, balancer	2	
12	09159-06024	NUT	2	
13	56500M21D00	MIRROR ASSY, rear view RH	1	
14	56600M21D00	MIRROR ASSY, rear view LH	1	
15	58300M21D10	CABLE ASSY, throttle	1	
16	02112-05123	SCREW	1	
17	58333M35400	SEAL, throttle dust	1	
18	09287-07002	SEAL, dust	1	
19	09407-18402	CLAMP	2	
20	58410M21D10	CABLE, starter	1	
21	58333M35400	SEAL, starter dust	1	

4

RG SPORT

FIG.35

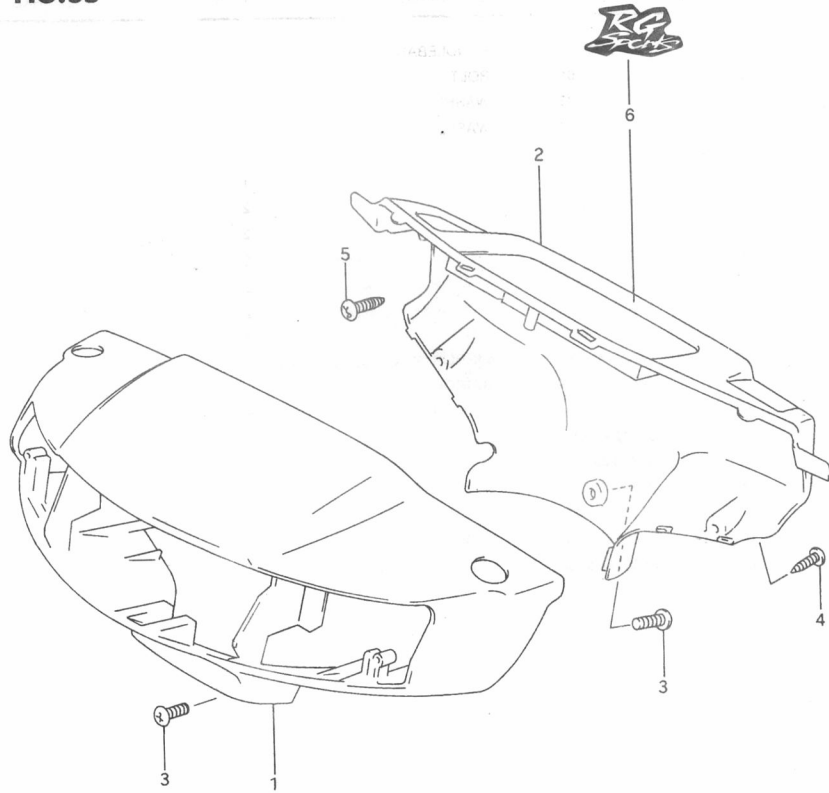


FIG.35 (F-7) HANDLE COVER

REF. NO.	PART NO.	DESCRIPTION	QTY	REMARKS
1	56311M21D00	COVER, handle front	1	099/257/OOK
2	56321M21D00	COVER, handle rear	1	099/257/OOK
3	02142-05123	SCREW, FR/RR	2	
4	03511-04163	SCREW, side	2	
5	03511-05163	SCREW, upper	2	
6	68111M21800	RG Sport Emblem	1	



RG SPORT

FIG.36

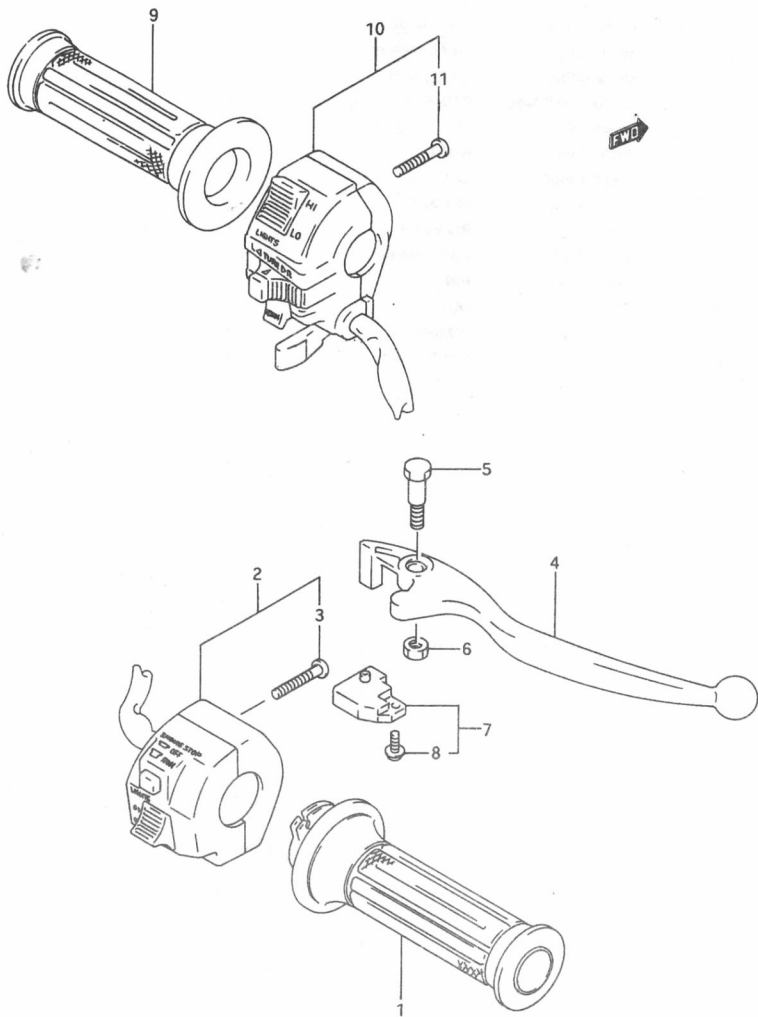


FIG.36 (F-8) HANDLE SWITCH

REF. NO.	PART NO.	DESCRIPTION	Q'TY	REMARKS
1	57110M35500	GRIP, throttle	1	
2	37200-21D10	SWITCH ASSY, handle RH	1	
3	02112-05305	.SCREW	2	
4	57421M21D00	LEVER, brake	1	
5	57431-21D00	BOLT, lever	1	
6	08319-21065	NUT	1	
7	57460-17C00	SWITCH ASSY, stop	1	
8	57465-17C00	.SCREW	1	
9	57211M34310	GRIP, LH	1	
10	37400-21D10	SWITCH ASSY, handle LH	1	
11	02112-05305	.SCREW	2	

4

FIG.37

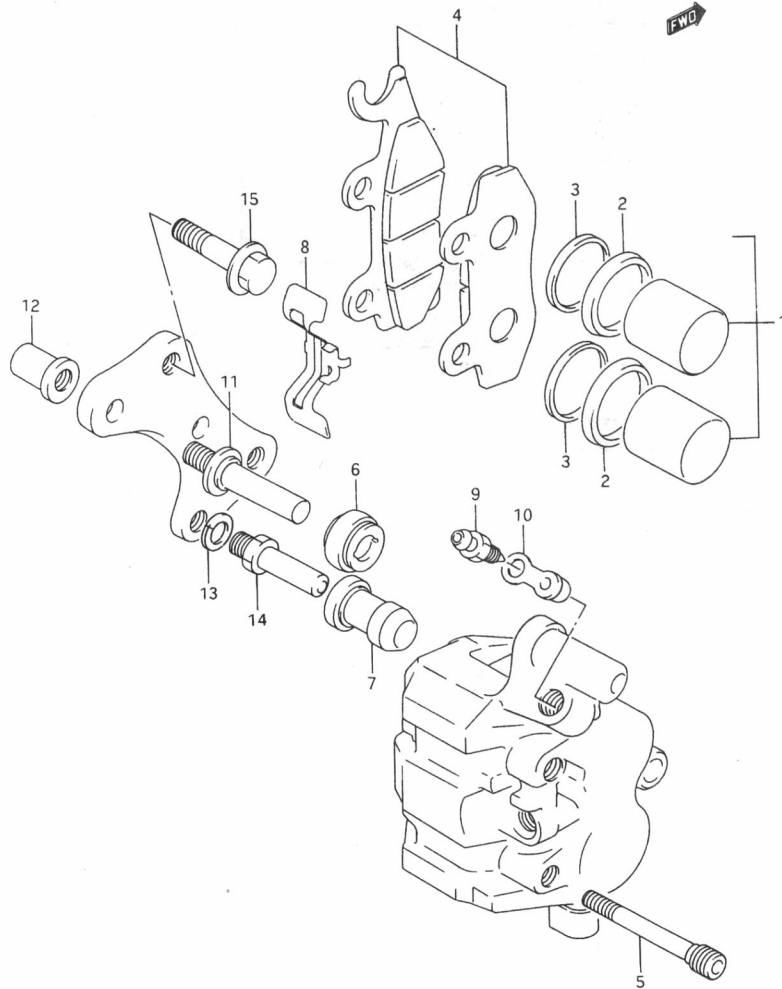


FIG.37 (F-9) FRONT CALIPER

REF. NO.	PART NO.	DESCRIPTION	Q'TY	REMARKS
	59100-21D20	CALIPERS ASSY, front	1	
1	69100-31B10	.PISTON SET	1	
2	59107-00B20	..SEAL, piston	2	
3	59108-00B20	..SEAL, dust	2	
4	59100-21B50	..PAD SET	1	
5	59345-14600	.PIN	2	
6	59303-14500	.BOOT	1	
7	59386-13A00	.BOOT	1	
8	69115-31D00	.SPRING	1	
9	59121-01A00	.BLEEDER	1	
10	59122-01A00	.CAP, bleeder	1	
11	59387,00B20	.PIN	1	
12	59388-00B20	.NUT	1	
13	59314-13A00	.WASHER	1	
14	59382-13A00	.BOLT	1	
15	09103-08107	.BOLT	2	

FIG.38

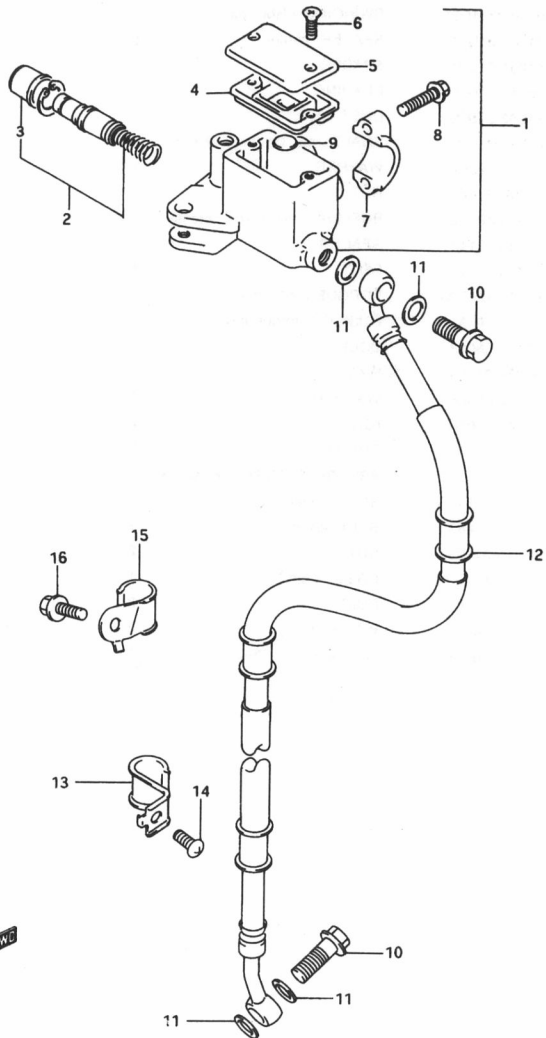
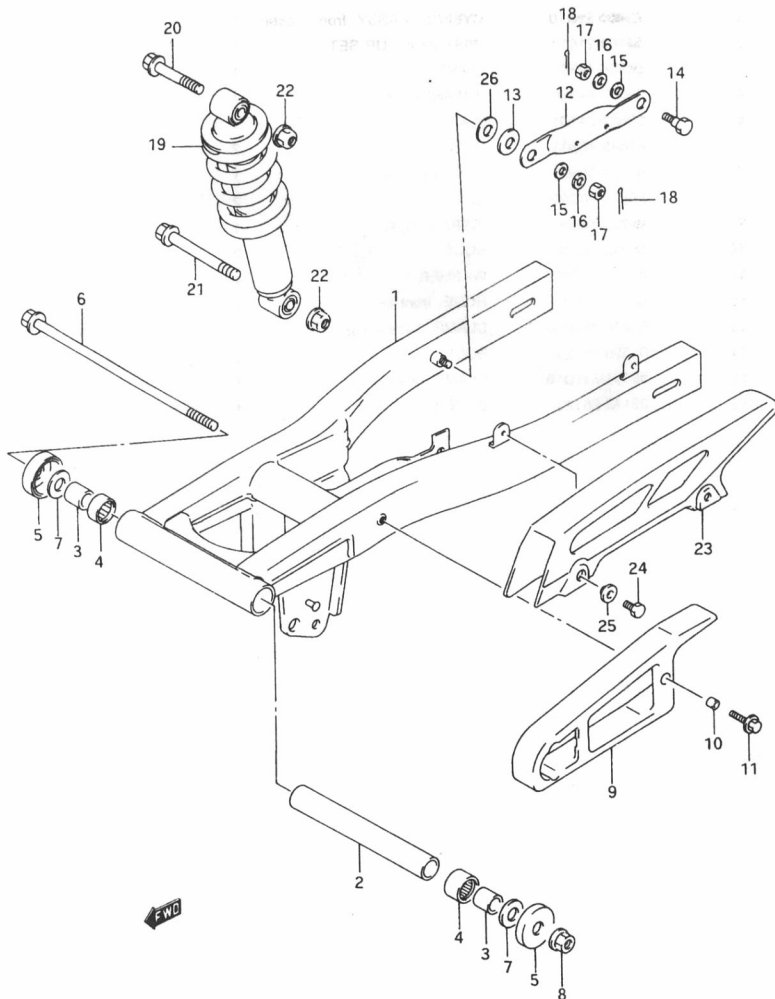


FIG.38 (F-10) FRONT MASTER CYLINDER

REF. NO.	PART NO.	DESCRIPTION	Q'TY	REMARKS
1	59600-21D10	CYLINDER ASSY, front master	1	
2	59600-21810	.PISTON & CUP SET	1	
3	59666-44300	.BOOT	1	
4	59667-44B00	.DIAPHRAGM	1	
5	69669-24A01	.CAP	1	
6	69689-49300	.SCREW	2	
7	59671-36500	.HOLDER	1	
8	59675-19C00	.BOLT	2	
9	59748-14500	.SEPARATOR	1	
10	09360-10040	BOLT	2	
11	09161-10009	WASHER	4	
12	59480-21D10	HOSE, front brake	1	
13	59246M21D00	CLAMP, hose lower	1	
14	01550-06123	BOLT	1	
15	59241M21D10	CLAMP, hose	1	
16	02142-06123	SCREW	1	

4

FIG.39



RG SPORT

FIG.39 (G-2) REAR SWINGING ARM

REF. NO.	PART NO.	DESCRIPTION	Q'TY	REMARKS
1	61100M21D21	SWINGING ARM, rear	1	
2	61282-21D01	SPACER, center	1	
3	61251-21D01	SPACER	2	
4	09263-17011	BEARING	2	
5	61262-21D00	DUST SEAL	2	
6	61211-21D00	SHAFT, rear swinging arm	1	
7	08211-12281	WASHER	2	
8	08319-31128	NUT	1	
9	61273M21D00	BUFFER, chain touch defense	1	
10.	09180-06142	SPACER	1	
11	09116-06111	BOLT	1	
12	64311M21D20	TORQUE LINK, rear	1	
13	64322-09401	CUSHION, torque link	1	
14	09111-08013	BOLT	1	
15	08322-01083	WASHER	2	
16	09162-08008	WASHER	2	
17	09140-08008	NUT	2	
18	04111-20208	PIN, cotter	2	
19	62100M21D10	ABSORBER ASSY, rear shock	1	
20	09103-10141	BOLT, upper	1	
21	09103-10083	BOLT, lower	1	
22	08319-31105	NUT	2	
23	61311M21D00	CASE, chain	1	
24	09100-06092	BOLT	2	
25	09169-06041	WASHER	2	
26	09160-10078	WASHER	1	

FIG.40

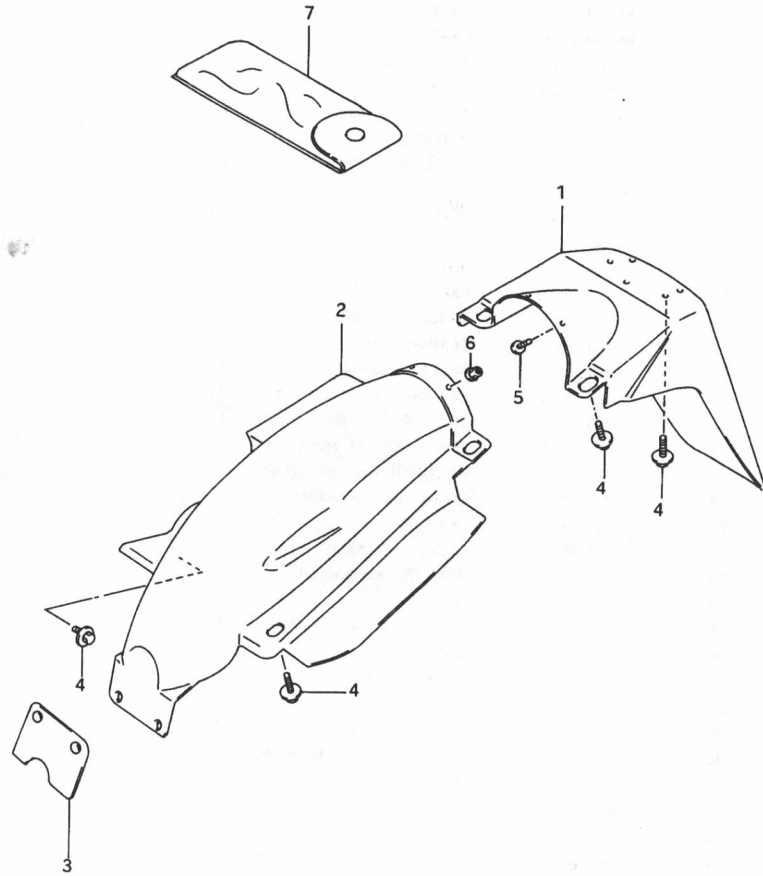


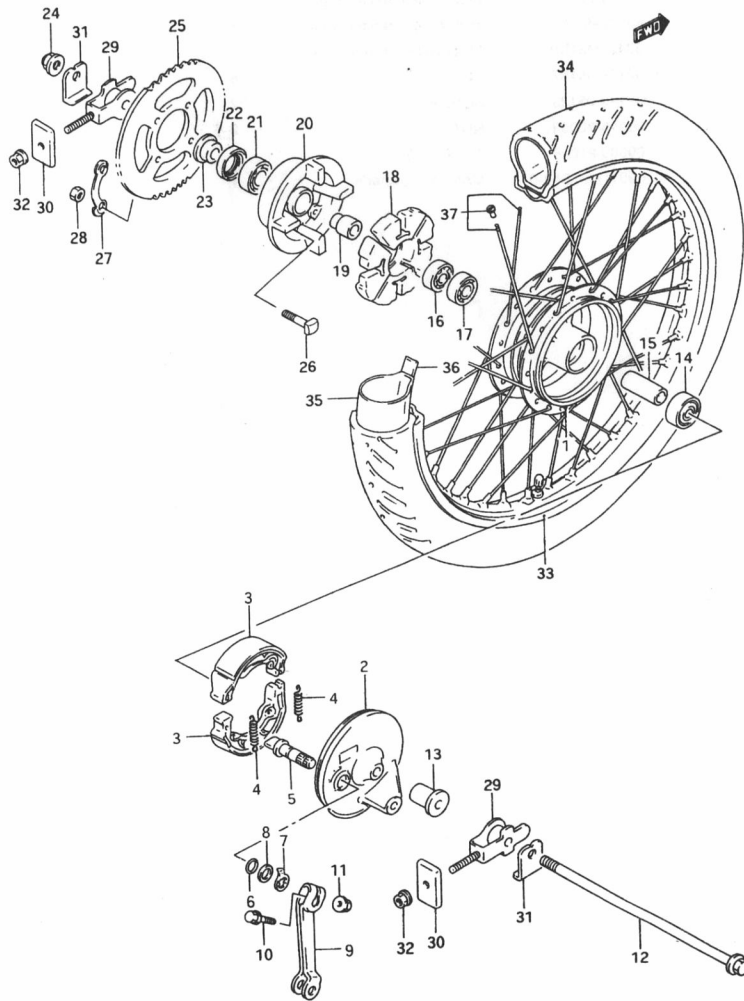
FIG.40 (G-3) REAR FENDER

REF. NO.	PART NO.	DESCRIPTION	Q'TY'	REMARKS
1	63111M21D10	BODY, rear fender rear	1	
2	63112M21D10	BODY, rear fender front	1	
3	63411M21D00	MUD GUARD, rear fender	1	
4	09116-06167	BOLT	6	
5	02142-05123	SCREW	2	
6	08316-10053	NUT	2	
7	09800-21026	TOOL ASSY	1	
8	99011M21D50-01A	MANUAL, owner's	1	

4

FWC
RG SPORT

FIG.41



RG SPORT

FIG.41 (G-4) REAR WHEEL

REF. NO.	PART NO.	DESCRIPTION	Q'TY	REMARKS
1	64110M35301	DRUM, rear hub	1	
2	64210M21D00	PANEL, rear hub	1	
3	54410-35060	SHOE, brake	2	
4	09443-07025	SPRING	2	
5	64441-21D00	SHAFT, brake cam	1	
6	09280-14003	O RING	1	
7	54492-35400	PLATE, brake lining	1	
8	09160-14003	WASHER	1	
9	64451-21D01	LEVER, brake cam	1	
10	01550-06353	BOLT	1	
11	08316-10063	NUT	1	
12	64711-21D00	AXLE, rear	1	
13	64731M21D00	SPACER, rear axle, RH	1	
14	08143-63017	BEARING, RH	1	
15	09180-12084	SPACER, bearing	1	
16	08143-62017	BEARING, LH	1	
17	08113-62017	BEARING, inner LH	1	
18	64651M010B1	ABSORBER, rear hub shock	1	
19	64733-43000	RETAINER, rear sprocket drum	1	
20	64611M26500	DRUM, sprocket mounting	1	
21	08113-62037	BEARING	1	
22	09285-25001	OILSEAL (25x40x6)	1	
23	64741M21D00	SPACER, rear axle, LH	1	
24	08319-31128	NUT	1	
25	64511-21D12	SPROCKET, rear (NT:43)	1	
26	09105-08011	BOLT	4	
27	09169-08011	LOCK WASHER	2	
28	08310-00083	NUT	4	
29	61410-21D00	ADJUSTER, chain	2	
30	61421M21D00	PLATE, chain adjuster guide	2	
31	64712M21D00	WASHER	2	
32	08319-31087	NUT	2	
33	65311M46730	RIM, wheel (1.60x17)	1	
34	65110M38D00	TIRE, rear (80/90-17 44P) IRC	1	
35	55200M03600	TUBE ASSY, inner	1	
36	55261M01010	PROTECTOR, inner tube	1	
37	65320M03011	SPOKE SET	1	

FIG.42

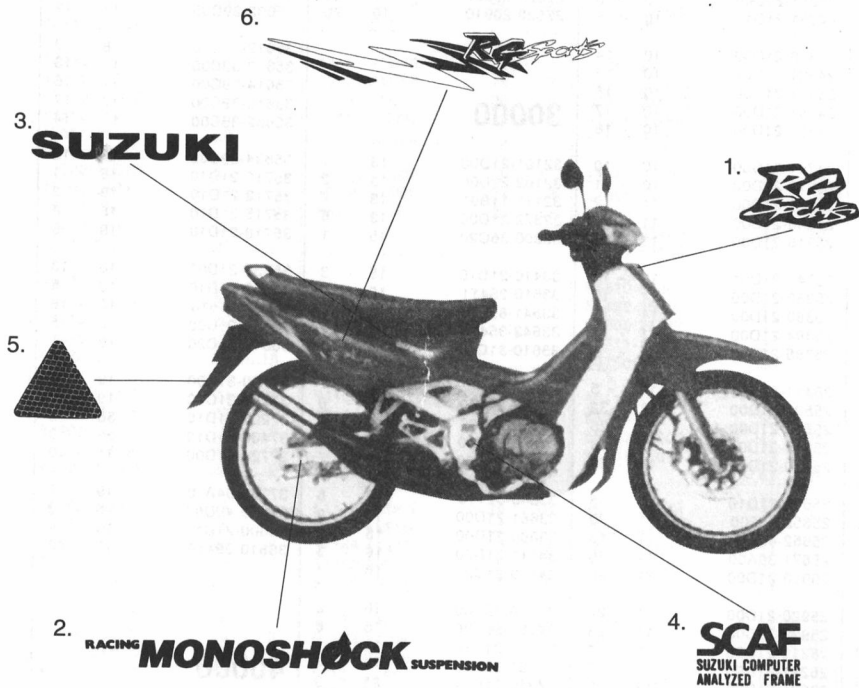


FIG.42 (G-6) EMBLEMS & TAPE SETS

REF. NO.	PART NO.	DESCRIPTION	Q'TY	REMARKS
1	68161M21D00	Emblem, Flexible Legshield	1	
2	68160M21D00	Tape 'Monoshock'	1	
3	68141M21D00	Tape 'Suzuki' Silver	2	
4	68110M21D00	Tape 'Scaf'	2	
5	35970M21D00	Emblem Flex. Rear Reflector	1	
6	68130M21D00	Tape Set Flame Cover RHL/LH	1	099/257/OOK

4

5

PART NO.	FIG. NO. -REF. NO.	PART NO.	FIG. NO. -REF. NO.	PART NO.	FIG. NO. -REF. NO.	
10000		13153-31C01	2 - 20	14780-21D00	7 - 11	
		13200-21D40	5	16100-21D10	8 - 4	
		13247-13A00	5 - 21	16192-38D00	8 - 18	
		13250-04700	5 - 2	16292-03112	8 - 5	
		13251-23010	5 - 1	16391-05031	8 - 7	
11111-38D02	1 - 1	13254-01010	5 - 8	16731-03101	8 - 6	
11141-21D10	1 - 2	13267-09400	5 - 27	16810-21D00	8 - 14	
11151-21D00	1 - 11	13268-35010	5 - 17	16816-21D00	8 - 12	
11210-21D30-OFO	1 - 3	13278-02330	5 - 25	16820-21D02	8 - 10	
11241-38D00	1 - 7	13291-29900	5 - 28	16910-09401	2 - 8	
11252-25000	1 - 12	13291-35010	5 - 19	16910-21D00	2 - 7	
11271-38D00	1 - 4	13295-29900	5 - 29		8 - 23	
11300-21D20	2 - 1	13295-33010	5 - 20	17110-31C00	3 - 17	
11340-21D00	3 - 1	13370-21D00	5 - 9	17131-21D01	3 - 19	
11351-21D00	3 - 9	13383-21D40	5 - 6	17133-35412	3 - 22	
11361-21D01	3 - 15	13386-04700	5 - 4	20000		
11385-21D00	8 - 1	13392-01010	5 - 10			
11389-21D00	3 - 10	13394-40D00	5 - 7			
11482-21D00	3 - 2	13411-01010	5 - 24			
11483-21D00	3 - 14	13417-01010	5 - 23			
12110-38D10-OFO	4 - 1	13418-24500	5 - 22	21102-21D00	9 - 2	
12110-38D10-025	4 - 1	13483-16A01	5 - 18	21110-21D00	9 - 1	
12110-38D10-050	4 - 1	13551-21D20	5 - 14	21125-21D00	9 - 3	
12110-38D10-075	4 - 1	13573-04700	5 - 16	21210-21D03	9 - 15	
12110-38D10-100	4 - 1	13581-36212	5 - 15	21236-30830	9 - 7	
12140-31C10	4 - 2	13684-21D00	5 - 26	21411-21D23	9 - 20	
12140-31C10-025	4 - 2	13684-44A00	5 - 12	21441-21D01	9 - 16	
12140-31C10-050	4 - 2	13700-21D00	6 - 1	21451-21D00	9 - 17	
12140-31C10-075	4 - 2	13710M21D00	6 - 14	21452-21D01	9 - 18	
12140-31C10-100	4 - 2	13740-21D00	6 - 2	21461-21D00	9 - 19	
12151-23400	4 - 3	13780-21D00	6 - -5	21501-21D10	9 - 10	
12161-21D00	4 - 10	13791-21D00	6 - 6	21631-21D00	9 - 5	
12200-21D01-0A0	4 - 6	13824-00A00	6 - 11	21652-35401	9 - 6	
12211-35401-0E0	4 - 12	13870-11147	6 - 10	23121-21D00	9 - 29	
12221-21D01	4 - 7	13881-21D00	6 - 7	23221-21D01	9 - 33	
12261-21D00-0A0	4 - 8	13891-21D00	6 - 3	23222-21D00	9 - 34	
12359-21D10	4 - 13	13931-21D00	6 - 8	23223-21D00	9 - 39	
13110-21D01	2 - 16	14181-35410	7 - 1	23230-21D00	9 - 31	
13150-21D00	2 - 18	14310-21D20	7 - 3	23250-35401	9 - 32	
13152-35400	2 - 19	14510-21D20	7 - 4	24121-21D01	10 - 1	

PART NO.	FIG. NO. -REF. NO.	PART NO.	FIG. NO. -REF. NO.	PART NO.	FIG. NO. -REF. NO.
24131021D00	10 - 13	27511-26400	10 - 26	35124-39C00	17 - 3
24221-21D01	10 - 2	27600-20421-128	10 - 28	35171-16A00	17 - 4
24230-38D00	10 - 4	27600-20910-128	10 - 28	35194-39C00	17 - 6
24241-21D00	10 - 6	27620-05220	10 - 29	35601-39C00	17 - 11
24251-21D11	10 - 8	27620-20910	10 - 29	35602-39C00	17 - 12
24310-21D00	10 - 14			35612-21D10	18 - 3
24321-21D01	10 - 15			35612-39C00	17 - 13
24331-21D00	10 - 16			35614-39C00	17 - 15
24341-21D00	10 - 17			35618-39C00	17 - 17
24351-21D00	10 - 18			35632-39C00	17 - 14
24741-21D00	10 - 10	32101-21D00	13 - 1	35634-39C00	17 - 16
25210-21D00	10 - 1	32102-21D00	13 - 2	35710-21D10	18 - 1
25220-21D00	11 - 2	32111-11B01	13 - 7	35712-21D10	18 - 2
25230-21D00	11 - 3	32372-21D00	13 - 5	35715-21D10	18 - 4
25310-21D00	11 - 6	32800-36C20	15 - 1	35718-21D10	18 - 5
25341-21D01	11 - 14	33410-21D10	15 - 3	35730-21D00	18 - 13
25350-21D00	11 - 16	33510-35411	15 - 5	35912-21D10	18 - 6
25380-21D00	11 - 11	33541-69010	15 - 6	35927-36510	18 - 16
25384-21D00	11 - 12	33542-35410	15 - 7	35970-21D00	42 - 5
25385-21D00	11 - 8	33610-31C10	14 - 1	36610-21D20	19 - 1
25411-21D01	11 - 5	33652-20C00	28 - 7	37100-31C00	19 - 4
25501-21D00	11 - 32	33652-35400	28 - 6	37155-31C00	19 - 5
25510-21D00	11 - 26	33652-36100	14 - 4	37200-21D10	36 - 2
25534-21D00	11 - 28	33652-38A10	14 - 3	37400-21D10	36 - 10
25540-21D00	11 - 27	33652-41D00	14 - 2	37720-11D00	11 - 40
25600-21D10	11 - 38	33680-02110	14 - 5	37740-04A10	19 - 7
25652-16500	11 - 39	33681-21D00	14 - 6	37880-40D00	25 - 3
25652-49300	11 - 13	33860-21D00	15 - 8	38500-21D10	19 - 9
25671-36A00	11 - 35	34111-21D20	16 - 5	38610-09410	17 - 22
25910-21D00	11 - 20	34120-21D20	16 - 1		
25920-21D00	11 - 22	34150-39C00	16 - 2		
25923-21D00	11 - 23	34159-36C00	16 - 6		
26211-21D00	11 - 1	34173-21D20	16 - 7		
26221-21D00	11 - 3	34383-09400	16 - 4		
26231-21D00	12 - 2	34810-21D01	23 - 3	40000	
26232-21D00	12 - 11	34825-02100	23 - 4	41100-21D20	20 - 1
26233-35410	12 - 12	34910-21D10	16 - 11	41561-21D10	27 - 5
26241-21D00	12 - 5	34938-21D00	16 - 12	41579-21D10	27 - 6
26300-21D30	12 - 14	35100-39C00	17 - 1	41921-21D00	2 - 23
26352-01000	12 - 15	35121-39C00	17 - 2	42100-21D10	21 - 1

PART NO.	FIG. NO. -REF. NO.	PART NO.	FIG. NO. -REF. NO.	PART NO.	FIG. NO. -REF. NO.
42129-21D00	21 - 3	47131-21D10	28 - 3	51612-35400	31 - 6
42191-21D00	21 - 7	47211-21D20	28 - 2	51621-25000	31 - 7
42211-03001	21 - 2	47231-21D10	28 - 4	51622-35400	31 - 2
42310-21D10	21 - 8	47311-21D10	28 - 5	51631-05000	31 - 2
43110-21D20	21 - 12	47341-21D10	27 - 1	51643-06001	31 - 5
43120-21D10	21 - 14	48111-21D10	29 - 1	51860-21D00	32 - 4
43300-21D10	21 - 17	48121-21D10	29 - 2	51871-21D10	32 - 1
43510-21D00	22 - 1	48131-21D10	29 - 4	51875-21D00	32 - 7
43550-21D10	22 - 2	48161-21D00	29 - 6	51876-21D00	32 - 6
43551-39110	22 - 3	48171-21D00	29 - 7	51881-21D10	32 - 16
43580-21D10	22 - 5	48180-21D00	29 - 15	51882-21D10	32 - 17
43591-21D10	22 - 6	48198-21D00	29 - 8	51895-21D00	32 - 8
43600-21D00	22 - 8	48272-21D00	29 - 17	53111-21D10	32 - 11
43610-34A00	22 - 9			53124-35400	32 - 14
43612-21D00	22 - 10			54111-46100	33 - 1
43631-34A01	22 - 11			54410-35060	41 - 3
43700-21D00	22 - 8			54492-35400	41 - 7
43710-34A00	22 - 9			54600-21D00	33 - 7
43810-21D10	22 - 15			54711-13601	33 - 4
43820-21D10	22 - 16			54750-46100	33 - 5
44110-21D10	23 - 1	51103-21D11	30 - 1	55110-38D00	33 - 13
44210-35014	23 - 2	51104-21D11	30 - 2	55200-01011	33 - 14
44281-29C00	25 - 8	51110-21D10	30 - 13	55200-03600	41 - 35
44300-21D00	24 - 1	51130-21D11	30 - 3	55261-01010	33 - 15
44421-21D00	24 - 2	51140-21D11	30 - 4		41 - 36
44542-21D00	23 - 6	51146-21D00	30 - 10	55311-46100	33 - 11
44611-21D10	25 - 1	51147-16510	30 - 8	55320-46100	33 - 12
44643-31000	25 - 4	51148-41310	30 - 9	56110-21D10	34 - 1
44651-04701	25 - 2	51153-39140	30 - 5	56271-33400	34 - 9
44667-12900	25 - 5	51156-39140	30 - 6	56272-44500	34 - 11
45100-21D10	26 - 1	51171-21D10	30 - 14	56274-33400	34 - 8
45149-35410	26 - 3	51173-21D00	30 - 7	56275-34400	34 - 10
45181-21D10	26 - 11	51177-35400	30 - 11	56311-21D00	35 - 1
45210-21D00	26 - 10	51181-37800	30 - 15	56321-21D00	35 - 2
45210-21D10	26 - 7	51196-39140	30 - 12	56500-21D00	34 - 13
45280-21D10	26 - 8	51351-21D10	30 - 16	56600-21D00	34 - 14
45283-21D10	26 - 4	51358-35410	34 - 5	571100-35500	36 - 1
45700-21D01	26 - 12	51359-35402	34 - 6	57211-34310	36 - 9
46210-21D10	26 - 15	51410-21D10	31 - 1	57421-21D00	36 - 4
47111-21D20	28 - 1	51611-20002	31 - 4	57431-21D00	36 - 5

PART NO.	FIG. NO. -REF. NO.	PART NO.	FIG. NO. -REF. NO.	PART NO.	FIG. NO. -REF. NO.
57460-17C00	36 - 7			68161-21D00	42 - 1
57465-17C00	36 - 8			69100-31810	37 - 1
58300-21D10	34 - 15			69115-31D00	37 - 8
58333-35400	34 - 17			69669-24A01	38 - 5
	34 - 21			69689-49300	38 - 6
58410-21D10	34 - 20	61100-21D21	39 - 1		
58621-21203	32 - 15	61211-21D00	39 - 6		
59100-21D20	37	61251-21D01	39 - 3		
59100-21850	37 - 4	61262-21D00	39 - 5		
59107-00B20	37 - 2	61273-21D00	39 - 9		
59108-00B20	37 - 3	61282-21D01	39 - 2	99011-21D50	40 - 8
59121-01A00	37 - 9	61311-21D00	39 - 23		
59122-01A00	37 - 10	61400-21D00	41 - 29		
59211-21D50	33 - 8	61421-21D00	41 - 30		
59241-21D10	38 - 15	62100-21D10	39 - 19		
59246-21D00	38 - 13	63111-21D10	40 - 1		
59251-21D10	31 - 10	63112-21D10	40 - 2		
59303-14500	37 - 6	63411-21D00	40 - 3		
59314-13A00	37 - 13	64110-35301	41 - 1		
59345-14600	37 - 5	64210-21D00	41 - 2		
59382-13A00	37 - 14	64311-21D20	39 - 12	01500-06123	12 - 13
59386-13A00	37 - 7	64322-09401	39 - 13	01500-06163	18 - 14
59387-00B20	37 - 11	64441-21D00	41 - 5		25 - 7
59388-00B20	37 - 12	64451-21D01	41 - 9		32 - 12
59480-21D10	38 - 12	64511-21D12	41 - 25	01500-06207	11 - 37
59600-21D10	38 - 1	64611-26500	41 - 20	01500-06253	11 - 13
59600-21810	38 - 2	64651-010B1	41 - 18		12 - 16
59666-44300	38 - 3	64711-21D00	41 - 12		21 - 16
59667-44B00	38 - 4	64712-21D00	41 - 31	01550-06123	32 - 5
59671-36500	38 - 7	64713-21D00	41 - 13		38 - 14
59675-19C00	38 - 8	64733-43000	41 - 19	01550-06163	19 - 6
59748-14500	38 - 9	64741-21D00	41 - 23		23 - 11
		65110-38D00	41 - 34	01550-06353	41 - 10
		65311-46730	41 - 33	01550-08203	22 - 4
		65320-03011	41 - 37	01550-10203	26 - 17
		68110-21D00	42 - 4	01570-06123	29 - 16
		68111-21D00	35 - 6	01570-08307	31 - 11
		68130-21D00	42 - 6	02112-04163	5 - 13
		68141-21D00	42 - 3	02112-05103	8 - 3
		68160-21D00	42 - 2	02112-05123	34 - 16

5

5

PART NO.	FIG. NO. -REF. NO.	PART NO.	FIG. NO. -REF. NO.	PART NO.	FIG. NO. -REF. NO.
02112-05305	36 - 3 36 - 11	02142-06163	15 - 4 27 - 2 27 - 4	08211-40583	9 - 26 18 - 19 23 - 10
02112-06107	8 - 13		28 - 14	08310-00083	8 - 19
02112-06123	10 - 11 11 - 15	02142-06167	32 - 2		41 - 28
02112-06163	15 - 2		32 - 18	08316-10053	40 - 6
02112-06203	26 - 13	03241-05163	28 - 10	08316-10063	41 - 11
02112-06253	3 - 4	03511-04146	17 - 18	08316-10083	7 - 10
	13 - 6	03511-04163	35 - 4	08316-10103	13 - 3
02112006303	3 - 21	03511-04203	18 - 7	0836-20063	26 - 14
02112-06353	1 - 5	03511-04253	17 - 20	08316-26063	26 - 6
02112-06403	2 - 3	03511-05163	35 - 5	08319-21065	36 - 6
	3 - 16	03541-04123	17 - 21	08319-21106	21 - 4
02112-06453	3 - 5		29 - 19	08319-31087	2 - 12
02112-06503	2 - 4	03541-04203	29 - 5		41 - 32
02112-06553	2 - 6	03541-05123	18 - 10	08319-31105	39 - 22
02112-06603	2 - 5	03541-05163	16 - 10	08319-31107	33 - 6
02112-15083	3 - 23	04111-16158	9 - 36	08319-31128	39 - 8
02112-16123	19 - 10	04111-20208	21 - 22		41 - 24
02112-16163	16 - 13		39 - 18	08321-01123	34 - 3
02112-16165	6 - 13	04111-25158	22 - 13	08322-01063	21 - 21
02112-33083	2 - 21	04211-11189	1 - 6		22 - 14
02112-351	23 - 5	04211-13189	2 - 2		27 - 7
02112-35163	8 - 8		3 - 3	08322-01083	9 - 41
02112-35303	8 - 9	06111-0600	31 - 8		39 - 15
02112-36083	7 - 12	07120-08357	7 - 7	08322-01087	7 - 9
02112-36253	2 - 22		7 - 8	08322-01123	34 - 4
02112-74108	16 - 3	08110-62030	10 - 9	08331-31146	11 - 36
02122-06503	34 - 7	08113-62017	41 - 17	08331-31149	12 - 10
02142-05104	6 - 4	08113-62037	41 - 21	08331-31166	10 - 27
02142-05123	6 - 9 11 - 41 13 - 8 35 - 3 40 - 5	08113-69050 08123-63007 08143-62017 08143-63017	11 - 9 33 - 2 4 - 19 41 - 16 41 - 14	08331-31216 08331-31383 08331-31409 08332-11068 08341-31039	9 - 24 9 - 4 9 - 27 11 - 24 13 - 4
02142-05163	28 - 11	08211-10223	9 - 37	09100-06092	39 - 24
02142-06123	18 - 17 28 - 12 38 - 16	08211-12262 08211-12281 08211-14321	11 - 29 39 - 7 12 - 8	09100-08094 09199-10007 09100-12061	33 - 9 21 - 10 34 - 2
02142-06127	29 - 13	08211-14342	9 - 14	09103-08101	2 - 10

PART NO.	FIG. NO. -REF. NO.	PART NO.	FIG. NO. -REF. NO.	PART NO.	FIG. NO. -REF. NO.
09103-08107	37 - 15	09160-06004	23 - 7	09180-10005	33 - 3
09103-08109	2 - 9	09160-06093	18 - 15 18 - 18	09180-12084	41 - 15
09103-08278	2 - 11		21 - 5	09180-22045	9 - 23
09103-10083	39 - 21	09160-10005	39 - 26	09180-25097	11 - 10
09103-10141	39 - 20	09160-10078		09181-25051	4 - 15
09105-08011	41 - 26	09160-13006	10 - 3 10 - 22	09181-25052	4 - 15
09106-08111	22 - 7 22 - 17	09160-13012	10 - 5	09181-25053	4 - 15
09108-08114	1 - 9	09160-14003	41 - 8	09181-25054	4 - 15
09108-08240	1 - 8	09160-14042	12 - 9	09181-25055	4 - 15
09111-06001	26 - 9	09160-20010	4 - 9	09181-25056	4 - 15
09111-06041	11 - 17	09160-23002	9 - 11	09181-25057	4 - 15
09111-08013	39 - 14	09160-41003	9 - 21	09181-25058	4 - 15
09116-06111	39 - 11	09161-02001	32 - 9	09181-25059	4 - 15
09116-06167	40 - 4	09161-09003	3 - 12	09181-25060	4 - 15
09118-06031	3 - 18	09161-10009	38 - 11	09181-25061	4 - 15
09128-06006	24 - 3	09162-08008	39 - 16	09181-25062	4 - 15
09128-06044	3 - 7	09164-14011	9 - 13	09181-25063	4 - 15
09128-06049	27 - 8	09164-22010	9 - 22	09181-25064	4 - 15
09136-05055	17 - 7	09166-24001	31 - 9	09181-25065	4 - 15
09136-06009	29 - 10	09167-17003	10 - 21	09200-06057	22 - 12
09136-06017	29 - 18	09168-06001	3 - 6	09200-07005	9 - 35
09136-06113	29 - 9	09168-06026	24 - 4	09200-20810	3 - 8
09136-06125	3 - 11	09168-14002	2 - 14	09209-05011	11 - 43
09137-05009	7 - 5	09169-06033	27 - 3	09209-11002	21 - 19
09137-08007	7 - 2		28 - 13	09223-04001	11 - 18
09139-06071	3 - 20		32 - 3	09247-14025	2 - 13
09140-08008	39 - 17	09169-06041	39 - 25	09250-12009	8 - 2
09140-08012	9 - 42	09169-06059	25 - 6	09250-140	26 - 16
09140-10043	21 - 11	09169-06060	32 - 13	09261-040	11 - 7
09140-14022	9 - 12		28 - 13	09261-07006	9 - 9
09148-03003	32 - 10	09169-06072	29 - 14	09262-17023	10 - 25
09148-04024	29 - 3	09169-08011	41 - 27	09262-25070-OAO	4 - 16
09148-05004	18 - 12 28 - 8	09169-08019	33 - 10	09263-12019	11 - 30
		09180-05017	17 - 9	09263-13001	10 - 12
		09180-06011	29 - 11		10 - 23
	28 - 9	09180-06086	11 - 4	09263-14030	4 - 5
09150-06009	21 - 20	09180-06092	32 - 19	09263-17011	39 - 4
09159-06024	34 - 12	09180-06142	39 - 10	09263-20052	4 - 11
09159-08041	1 - 10	09180-06169	23 - 8	09263-40002	9 - 25
09160-05011	17 - 8	09180-06224	3 - 13	09266-16002	9 - 30

PART NO.	FIG. NO. -REF. NO.	PART NO.	FIG. NO. -REF. NO.	PART NO.	FIG. NO. -REF. NO.
09280-08012	9 - 40	09404-06422	11 - 45		
09280-14003	41 - 6	09407-10404	19 - 3		
09280-22001	4 - 14	09407-14403	19 - 3		
09280-22016	7 - 6	09407-14407	13 - 10		
09280-26003	11 - 42	09407-18402	19 - 3		
09283-17014	10 - 24		34 - 19		
09283-25066	4 - 17	09407-25401	19 - 3		
09285-12002	11 - 31	09440-02003	9 - 8		
09285-14001	12 - 7	09440-04010	11 - 44		
09285-25001	41 - 22	09440-09035	21 - 18		
09287-07002	34 - 18	09440-10022	24 - 7		
09289-32003	4 - 18	09440-19025	9 - 38		
09319-08028	22 - 18	09440-31002	12 - 6		
09320-09010	17 - 10	09443-05020	11 - 33		
09320-09026	29 - 12	09443-06027	19 - 8		
09320-10022	23 - 9	09443-07025	41 - 4		
09321-10001	21 - 6	09443-07041	11 - 19		
09321-10012	26 - 5	09443-14022	21 - 9		
09321-14005	26 - 2	09443-14025	21 - 15		
09352-20503	8 - 20	09444-23001	11 - 34		
	8 - 21	09448-10005	11 - 25		
09352-42703	2 - 15	09448-14045	11 - 21		
09352-50823	18 - 11	09448-40007	12 - 4		
09352-50823	24 - 5	09471-12028	16 - 9		
09360-10040	38 - 10	09471-12077	16 - 8		
09367-03001	8 - 22	09471-12114	17 - 19		
09380-17007	10 - 7		18 - 8		
09380-17010	9 - 28	09471-12127	18 - 9		
	10 - 19	09471-12159	17 - 5		
	10 - 20	09482-00175	1 - 13		
09381-14001	4 - 4	09482-00176	1 - 13		
09401-04401	8 - 11	09491-90007	5 - 3		
09401-08401	8 - 16	09492-22008	5 - 11		
	24 - 6	09494-00773	5 - 5		
09401-09101	8 - 15	09800-21026	40 - 7		
09402-36306	2 - 17				
09402-38303	6 - 12				
09403-07402	8 - 17				
09404-06402	13 - 9				
	19 - 2				

5