



SUZUKI ***Rc1000***

PARTS CATALOGUE

1992

Table 1

1	2	3
4	5	6
7	8	9
10	11	12
13	14	15
16	17	18
19	20	21
22	23	24
25	26	27
28	29	30
31	32	33
34	35	36
37	38	39
40	41	42
43	44	45
46	47	48
49	50	51
52	53	54
55	56	57
58	59	60
61	62	63
64	65	66
67	68	69
70	71	72
73	74	75
76	77	78
79	80	81
82	83	84
85	86	87
88	89	90
91	92	93
94	95	96
97	98	99
100	101	102

INFORMATION
ILLUSTRATION INDEX **1**

ENGINE
TRANSMISSION **2**

ELECTRICAL **3**

BODY **4**

PARTS NUMBER INDEX **5**

1	CYLINDER	B - 2	25	FUEL COCK	E - 6
2	CRANKCASE	B - 3	26	OIL TANK	E - 7
3	CRANKCASE COVER	B - 4	27	SEAT	E - 8
4	CRANKSHAFT	B - 5	27	SEAT	E - 9
4	CRANKSHAFT	B - 6	28	SEAT TAIL COVER (model G/J/K)	E - 10
5	CARBURETOR	B - 7	28A	SEAT TAIL COVER (model M/N)	E - 11
5	CARBURETOR	B - 8	29	FRONT CARRIER	E - 12
6	AIR CLEANER	B - 9	30	FRAME COVER	E - 13
7	MUFFLER	C - 2	31	LEG SHIELD	E - 14
8	OIL PUMP	C - 3	32	FRONT FORK	F - 2
9	CLUTCH	C - 4	33	FRONT FORK COVER	F - 3
9	CLUTCH	C - 5	34	FRONT FENDER (model G/J/K/M)	F - 4
10	TRANSMISSION	C - 6	34A	FRONT FENDER (model N)	F - 5
11	GEAR SHIFTING	C - 7	35	FRONT WHEEL	F - 6
12	KICK STARTER	C - 8	35	FRONT WHEEL	F - 7
13	MAGNETO	D - 2	36	HANDLE COVER (model G/J/K)	F - 8
14	BATTERY	D - 3	36A	HANDLE COVER (model M/N)	F - 9
15	ELECTRICAL	D - 4	37	HANDLEBAR (model G/J/K)	F - 10
16	SPEEDOMETER (model G/J/K)	D - 5	37A	HANDLEBAR (model M/N)	F - 11
16A	SPEEDOMETER (model M)	D - 6	38	RIGHT HANDLE SWITCH (model G/J/K)	F - 12
16B	SPEEDOMETER (model N)	D - 7	39	LEFT HANDLE SWITCH (model G/J/K)	F - 13
17	HEADLAMP (model G/J/K)	D - 8	39A	HANDLE SWITCH (model M/N)	F - 14
17A	HEADLAMP (model M/N)	D - 9	40	REAR SWINGING ARM (model G/J/K/M)	G - 2
18	FRONT TURN SIGNAL LAMP (model G/J/K)	D - 10	40A	REAR SWINGING ARM (model N)	G - 3
18A	FRONT TURN SIGNAL LAMP (MODEL M/N)	D - 11	41	REAR FENDER (model G/J/K/M)	G - 4
19	REAR COMBINATION LAMP	D - 12	41A	REAR FENDER (model N)	G - 5
20	WIRING HARNESS	D - 13	42	REAR WHEEL (model G/J/K/M)	G - 6
21	FRAME	E - 2	42	REAR WHEEL (model G/J/K/M)	G - 7
22	STAND - FOOTREST	E - 3	42A	REAR WHEEL (model N)	G - 8
23	REAR BRAKE	E - 4	42A	REAR WHEEL (model N)	G - 9
24	FUEL TANK	E - 5			

FIG. 1

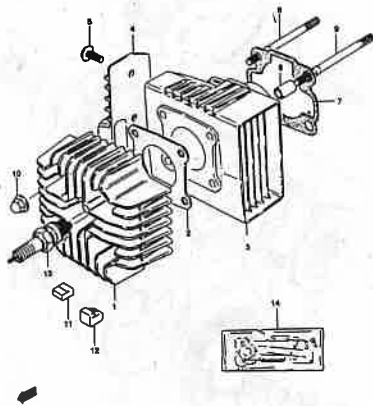


FIG. 2

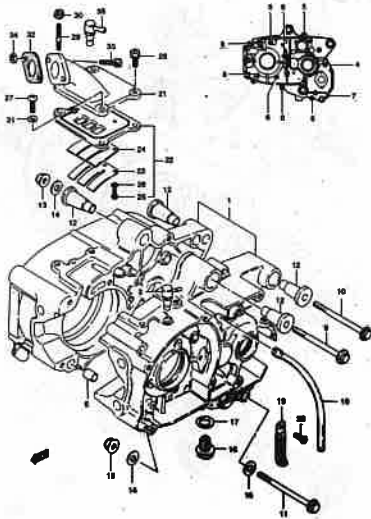


FIG. 3

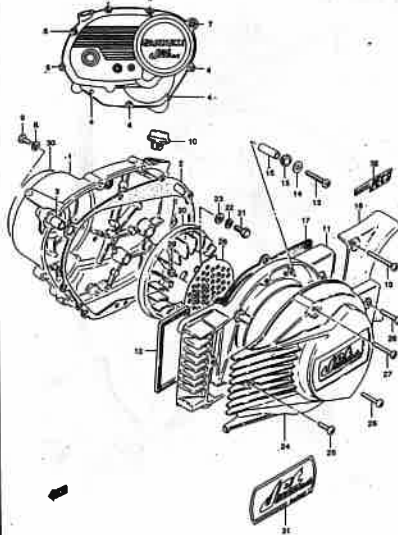


FIG. 4

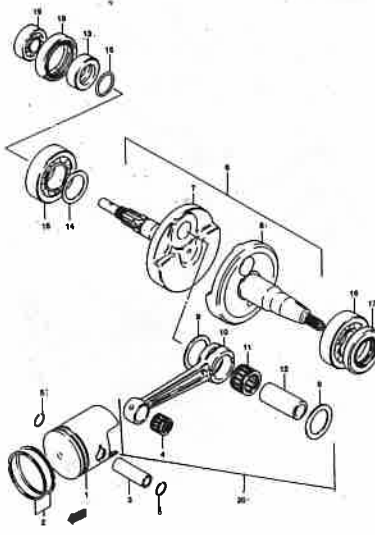


FIG. 4

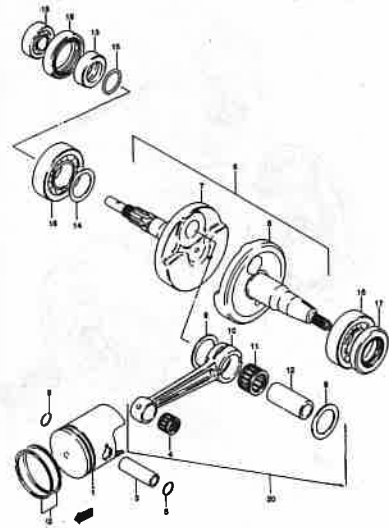


FIG. 5

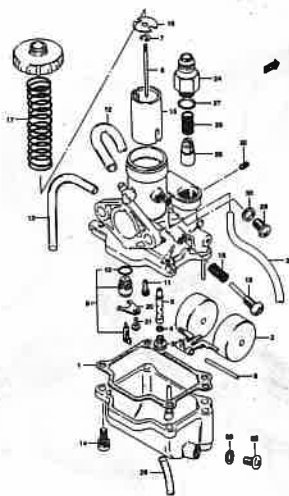


FIG. 5

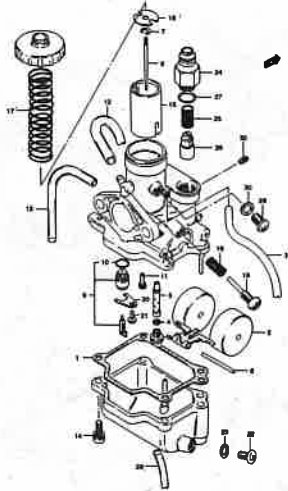
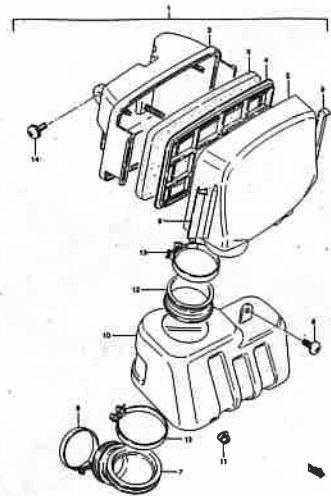


FIG. 6



E-6
E-7
E-8
E-9
E-10
E-11
E-12
E-13
E-14
F-2
F-3
F-4
F-5
F-6
F-7
F-8
F-9
F-10
F-11
F-12
F-13
F-14
G-2
G-3
G-4
G-5
G-6
G-7
G-8
G-9

FIG. 7

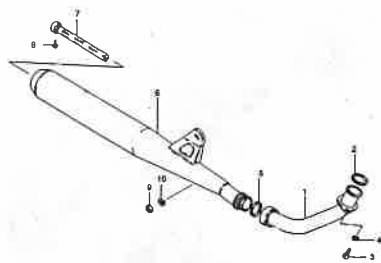


FIG. 8

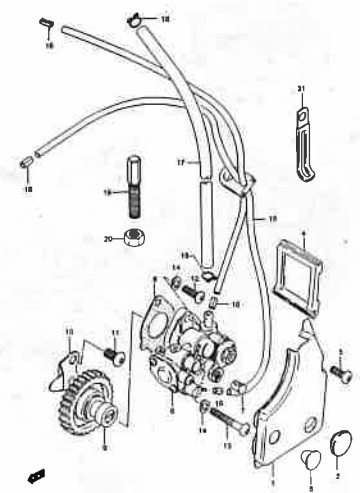


FIG. 9

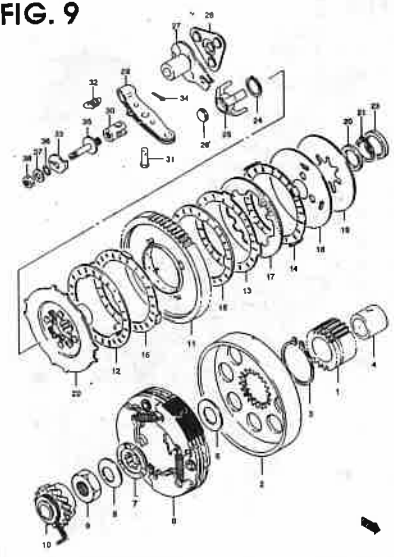


FIG. 9

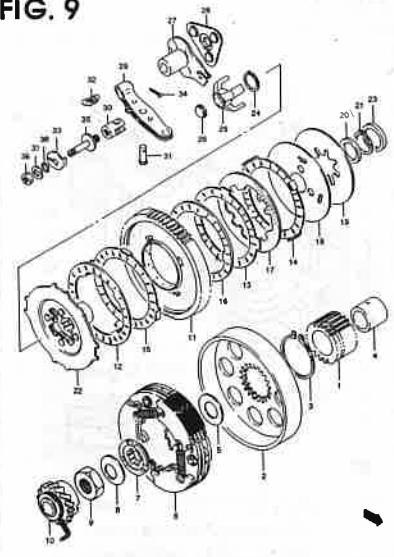


FIG. 10

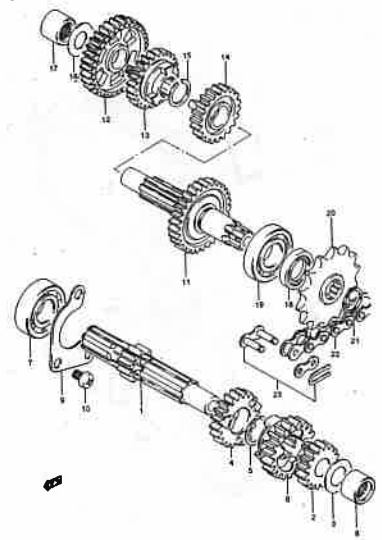


FIG. 11

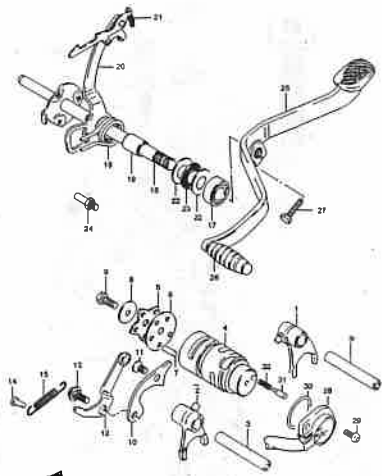


FIG. 12

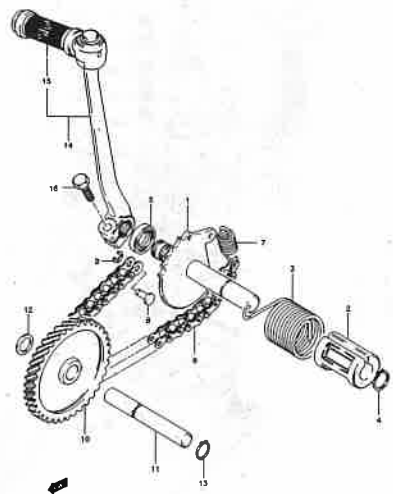


FIG. 13

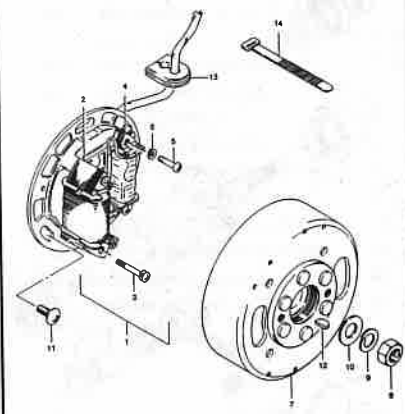


FIG. 14

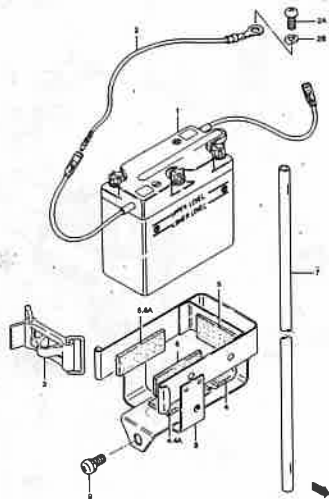


FIG. 15

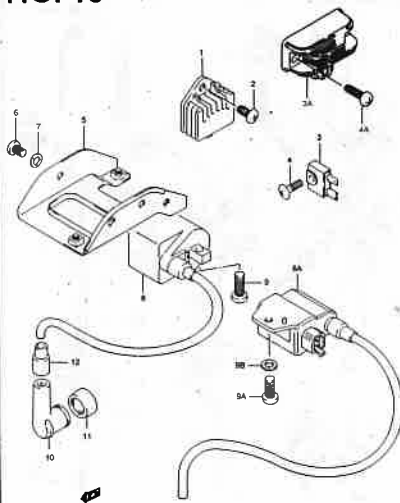


FIG. 16

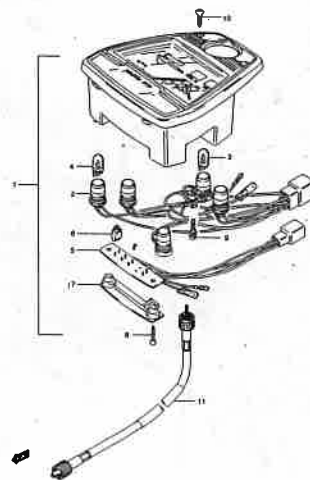


FIG. 16A

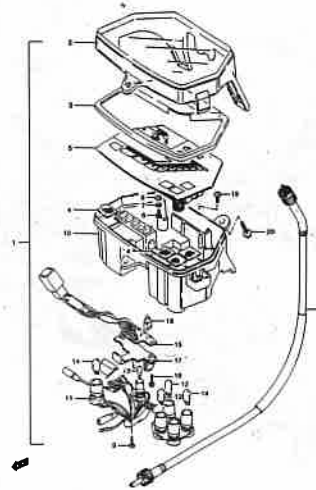


FIG. 16B

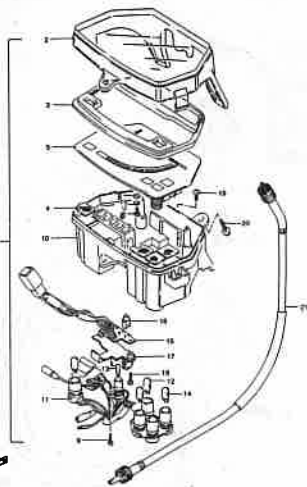


FIG. 17

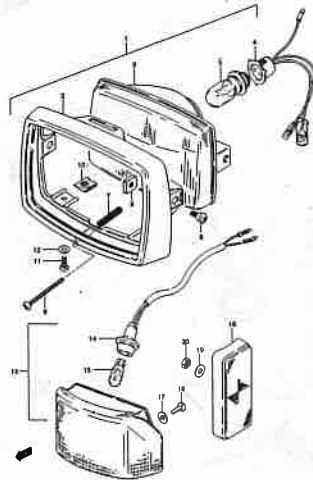


FIG. 17A

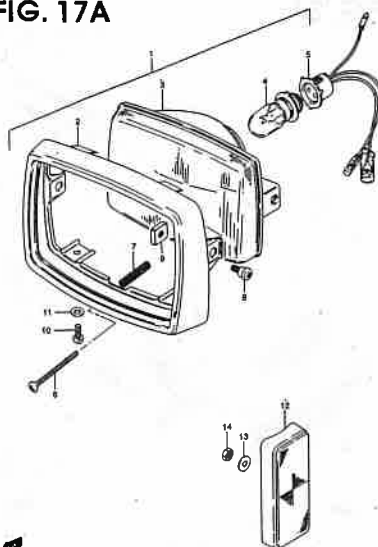


FIG. 18

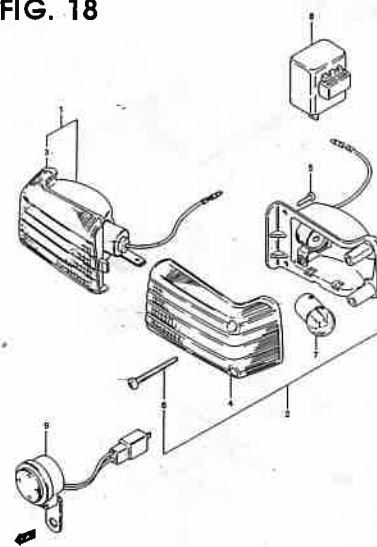


FIG. 26

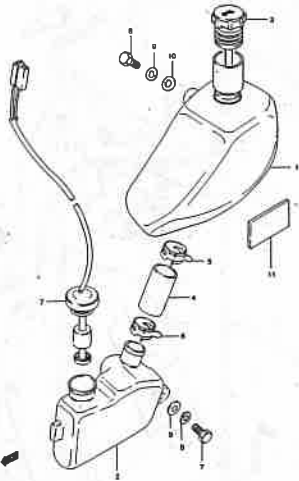


FIG. 27

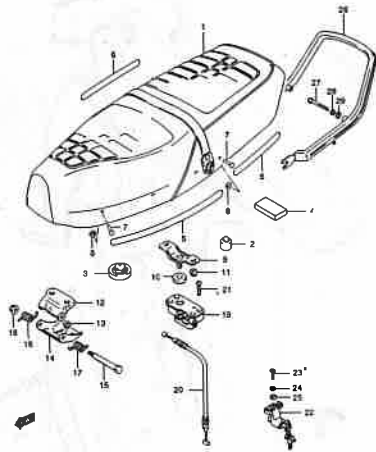


FIG. 27

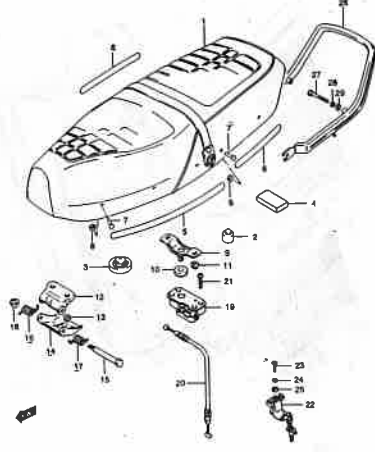


FIG. 28

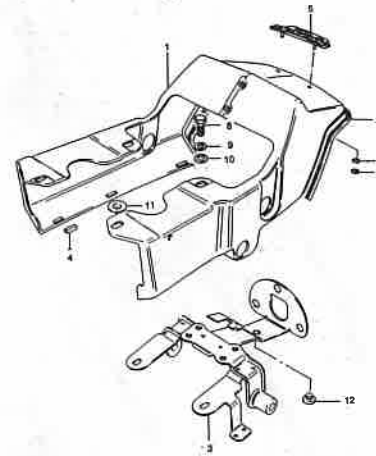


FIG. 28A

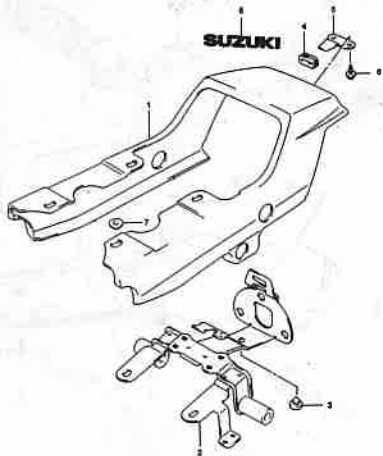


FIG. 29

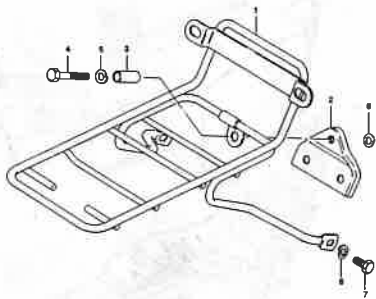


FIG. 30

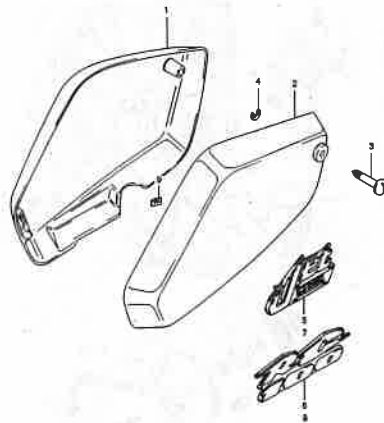


FIG. 31

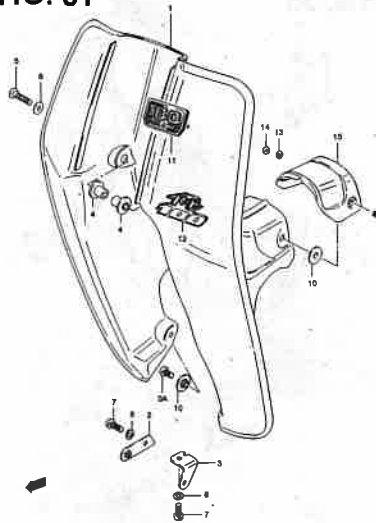


FIG. 32

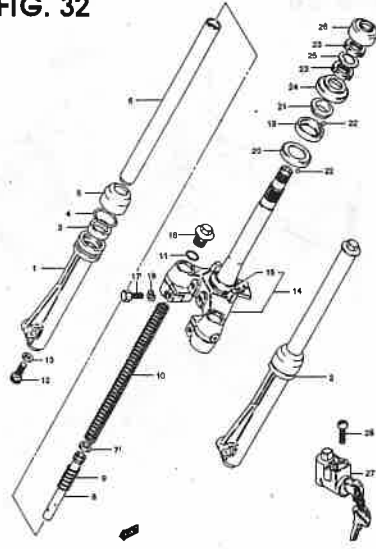


FIG. 33

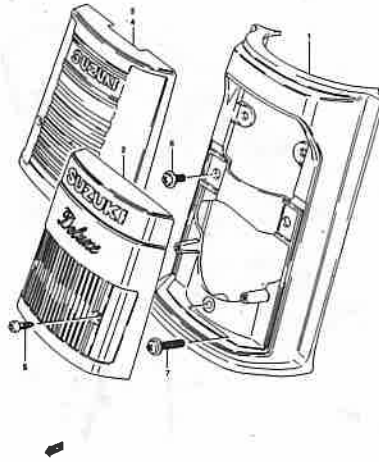


FIG. 34

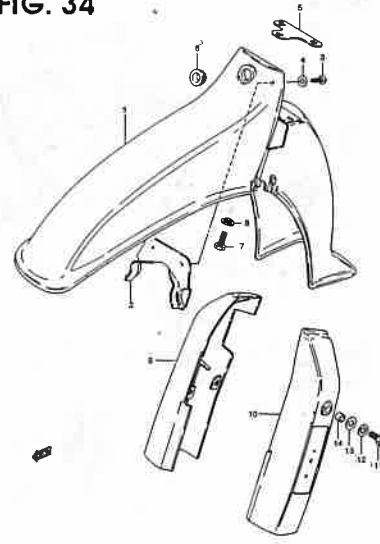


FIG. 34A

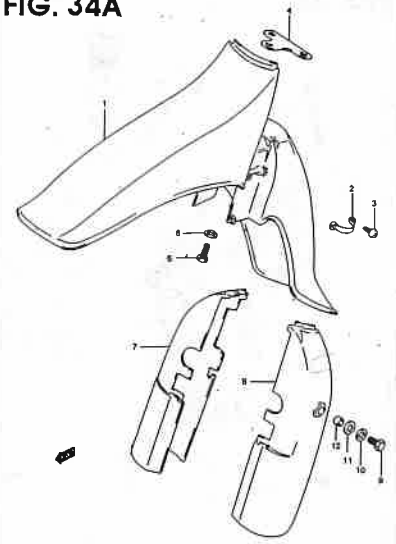


FIG. 35

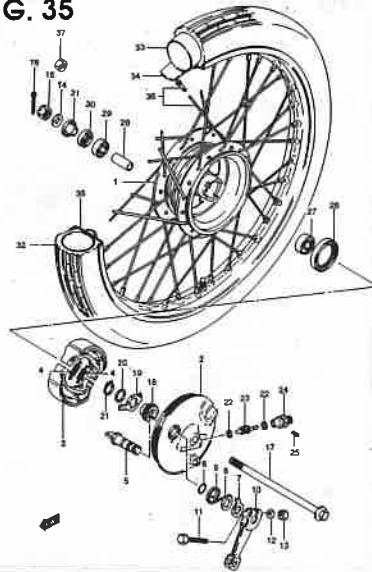


FIG. 35

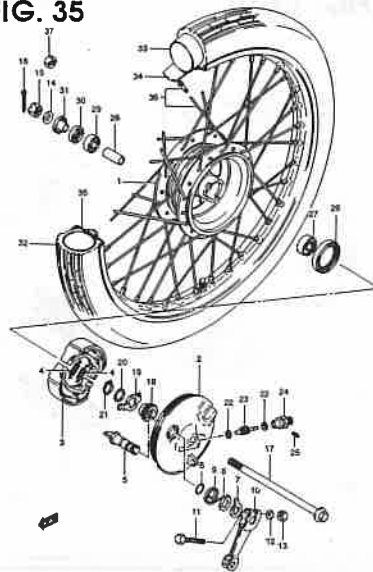


FIG. 36

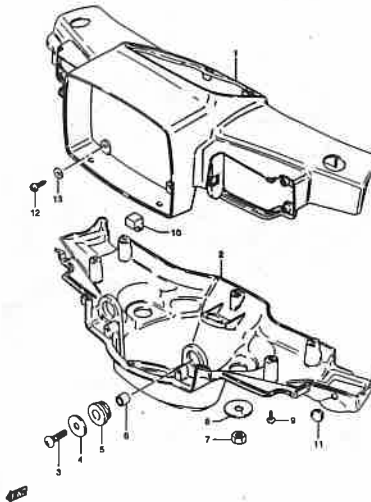


FIG. 36A

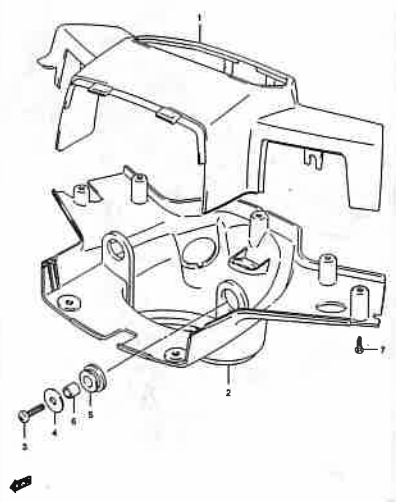


FIG. 37

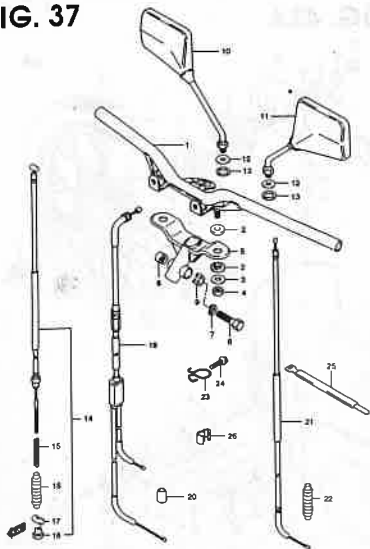


FIG. 37A

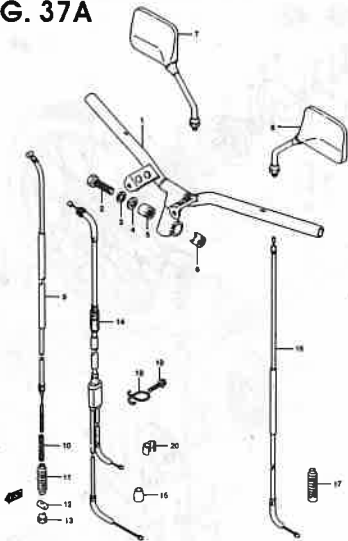


FIG. 38

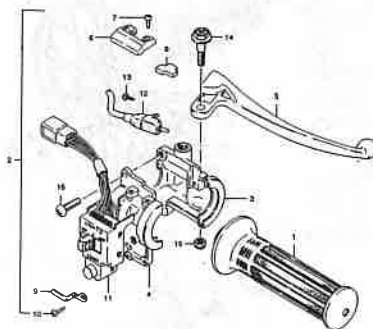


FIG. 39

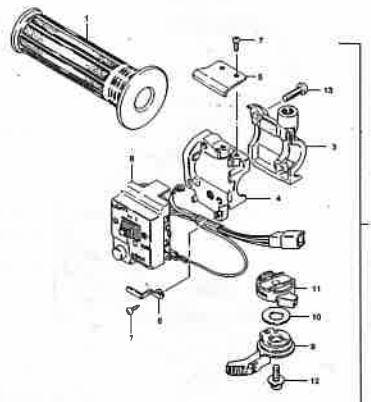


FIG. 39A

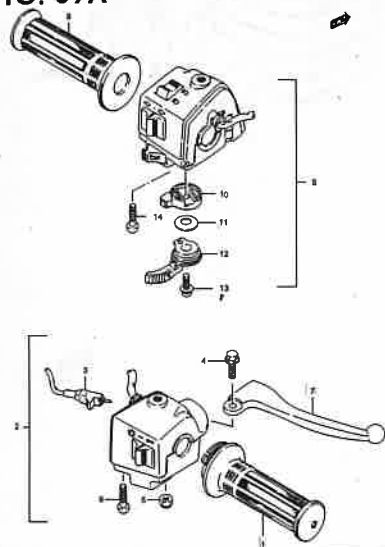


FIG. 40

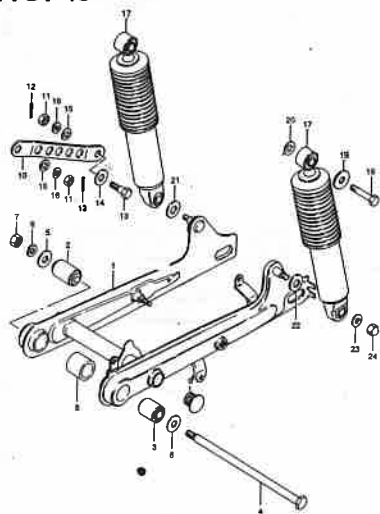


FIG. 40A

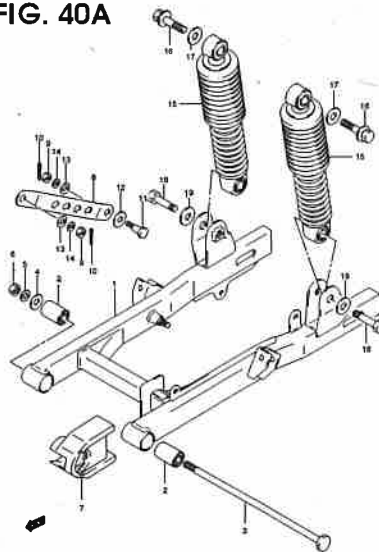


FIG. 41

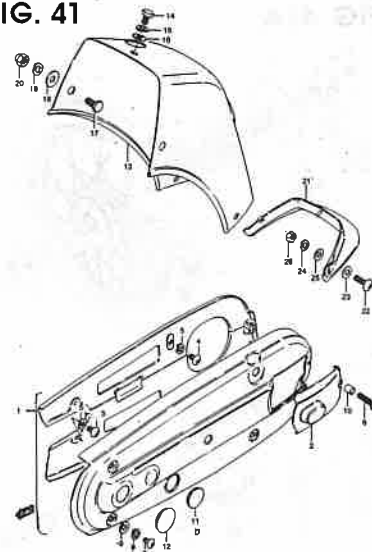


FIG. 41A

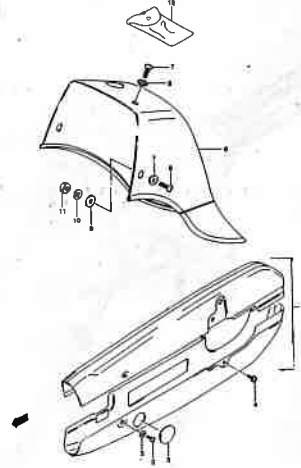


FIG. 42

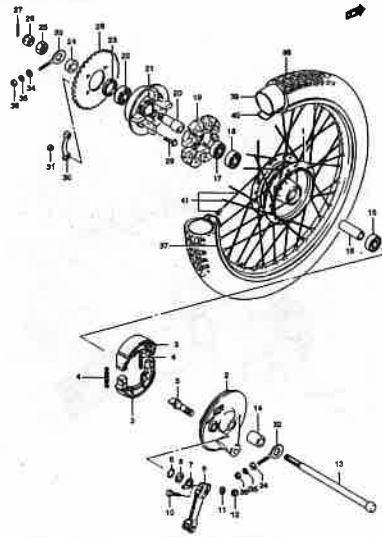


FIG. 42

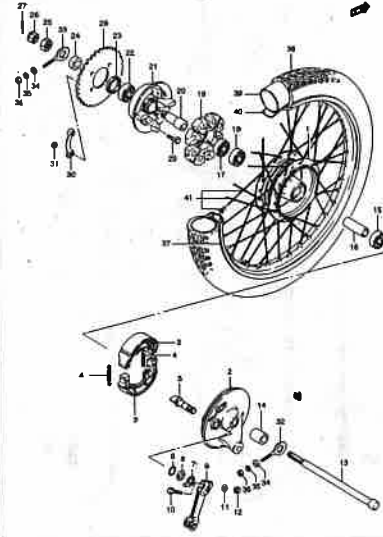


FIG. 42A

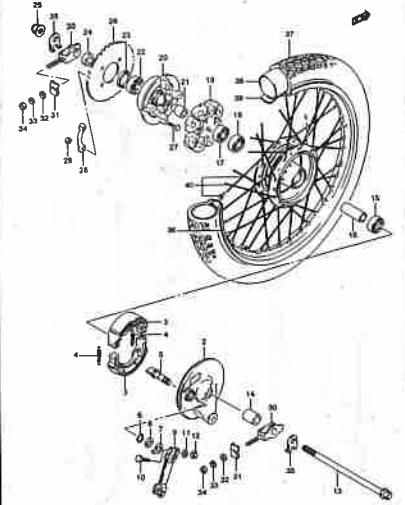


FIG. 42A

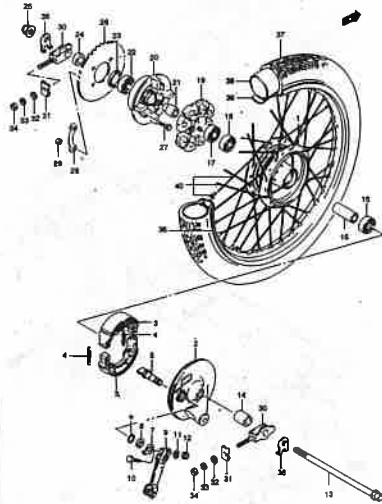


FIG.1

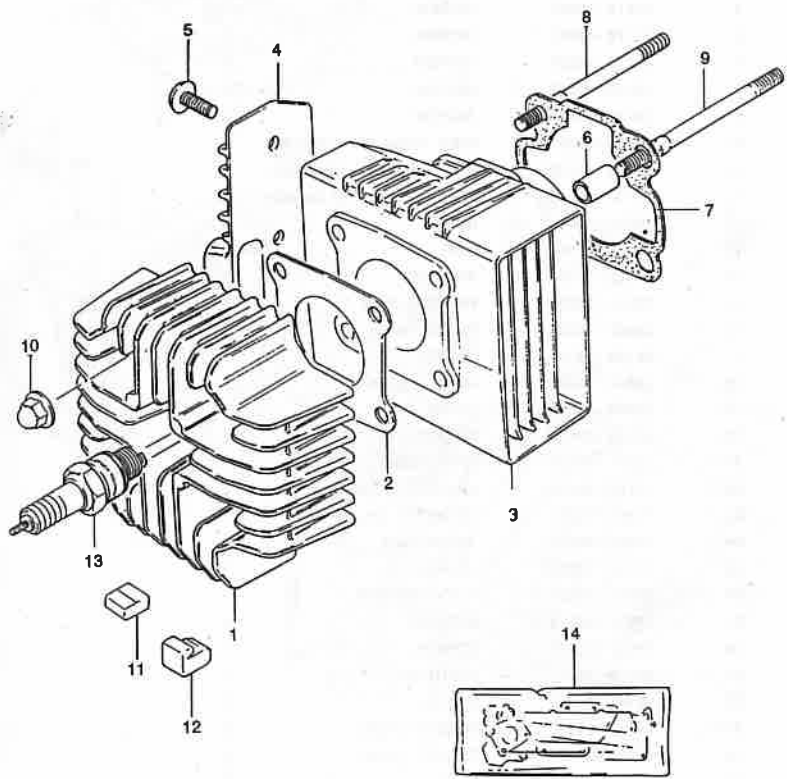


FIG.1 (B-2) CYLINDER

REF.NO.	PART NO.	DESCRIPTION	QTY	REMARKS
1-1	11111M35501	HEAD, cylinder	1	model G/J
1-2	11111M09C00	HEAD, cylinder	1	model K/M/N
2	11141M35500	GASKET, cylinder head	1	
3-1	11210 - 35521	CYLINDER	1	model G/J
3-2	11210 - 09C00	CYLINDER	1	model K/M/N
4	11271M35410	COVER, cylinder air	1	
5	02112 - 06167	SCREW	2	
6	04211 - 11189	* PIN	2	
7	11241M35500	GASKET, cylinder	1	
8	09108 - 08113	STUD BOLT (Øx113)	2	
9	09108 - 08114	STUD BOLT (Øx123)	2	
10-1	09159 - 08074	NUT	4	model G/J
10-2	09159 - 08041	NUT	4	model K/M/N
11	11151 - 36500	PAD, rubber	13	
12.	11151 - 31C00	PAD, rubber	1	
13-1	09482M00105	SPARK PLUG (NGK, BP7HS)	1	
13-2	09482 - 00106	SPARK PLUG (ND,W22FP)	1	
14	11400M35870	GASKET SET	1	OPT

2

FWD

2

FIG.2

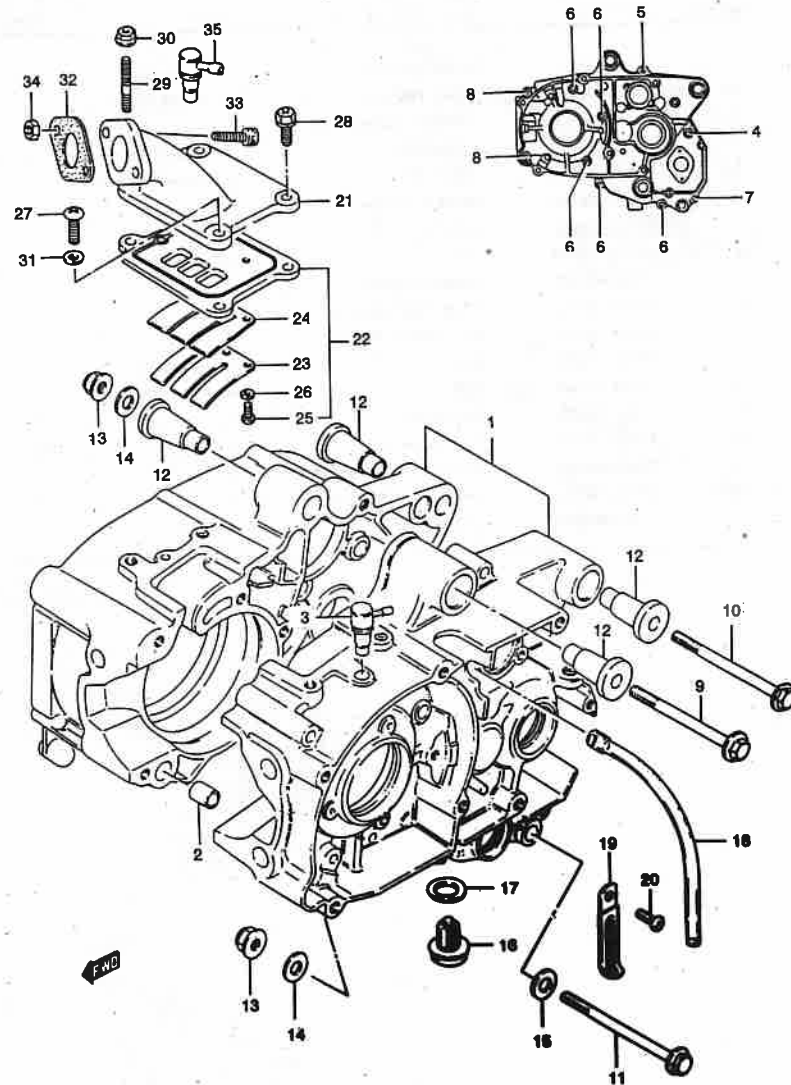


FIG.2 (B-3) CRANKCASE

REF.NO.	PART NO.	DESCRIPTION	QTY	REMARKS
1	11301 - 35837	CRANKCASE SET	1	← 11301 - 35834
2	09206 - 13001	.PIN	2	
3	16910 - 09C00	.CHECK VALVE	1	
4	02112 - 06257	.SCREW	1	
5	02112 - 06357	.SCREW	1	
6	02112 - 06507	.SCREW	5	
7	02112 - 06558	.SCREW	1	
8	02112 - 06608	.SCREW	2	
9	09103 - 08097	BOLT, engine mount (8x105)	1	
10	09103 - 08122	BOLT, engine mount (8x110)	1	
11	09100 - 08155	BOLT, engine mount (8x115)	1	
12	09319 - 08010	BUSH	4	
13	08319 - 31087	NUT	3	
14	08322 - 21088	WASHER	3	
15	09160 - 08030	WASHER, lower	1	
16	09247 - 14025	PLUG, oil drain	1	
17	09168 - 14004	GASKET	1	
18	24840 - 35400	HOSE, breather	1	
19	09404 - 08401	CLAMP	1	
20	02112 - 06128	SCREW	1	
21	13111 - 35403	PIPE, intake	1	
22	13150 - 35402	VALVE ASSY, reed	1	
23	13152 - 35400	.STOPPER	1	
24	13153 - 35400	.VALVE, reed	1	
25	02112 - 03066	.SCREW	3	
26	08321 - 21038	.LOCK WASHES	3	
27	02112 - 06206	SCREW	2	
28	09137 - 06019	SCREW	1	
29	09108 - 06070	STUD BOLT	1	
30	08361 - 35066	NUT	1	
31	08321 - 21066	LOCK WASHER	2	
32	13125M35401	GASKET, intake	1	
33	07110 - 06208	BOLT	2	
34	08310 - 22067	NUT	2	
35	16910 - 09C00	CHECK VALVE	1	

FIG. 3

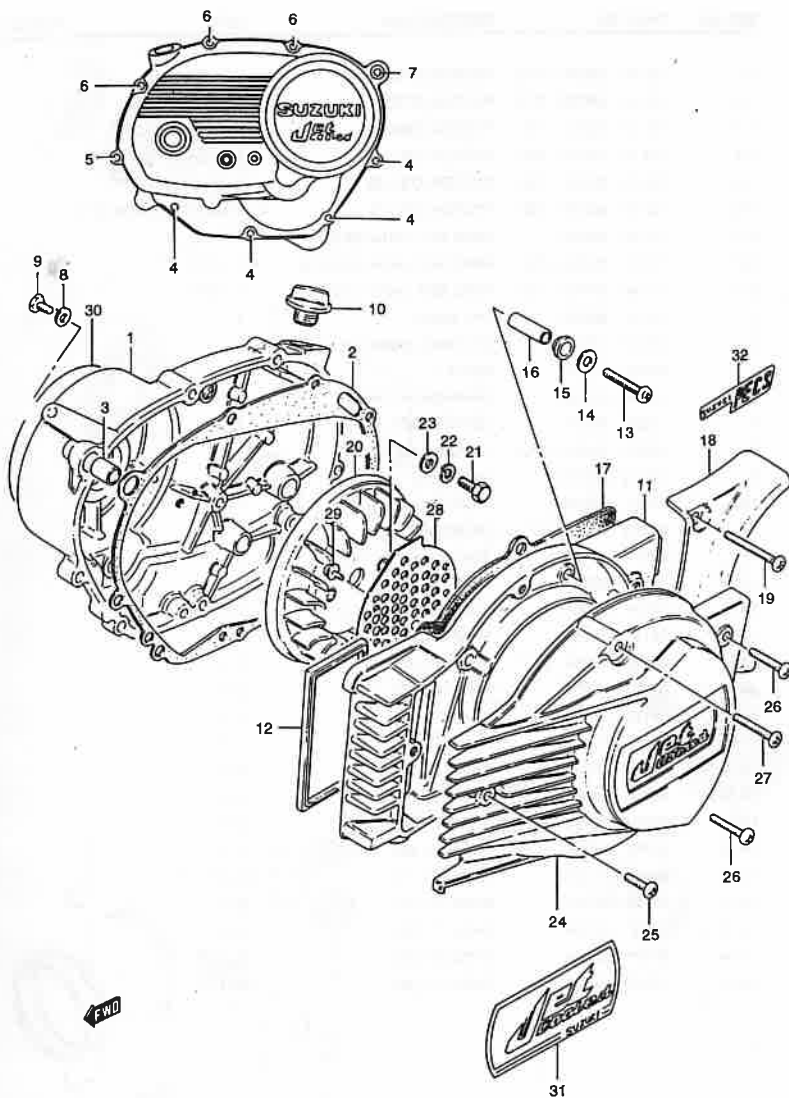


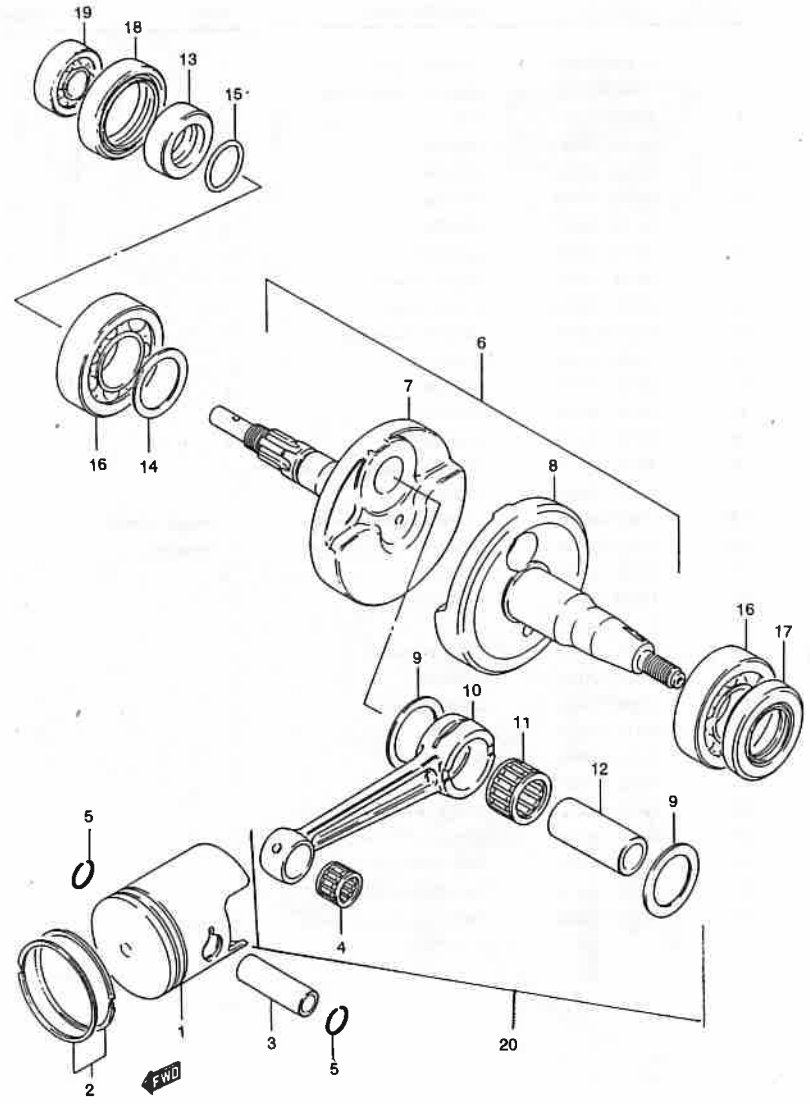
FIG.3 (B-4) CRANKCASE COVER

REF.NO.	PART NO.	DESCRIPTION	Q'TY	REMARKS
1	11340 - 35507	COVER, clutch	1	
2	11482M35401	GASKET, clutch cover	1	
3	09206 - 13001	PIN	2	
4	02112 - 06257	SCREW	4	
5	02112 - 06507	SCREW	1	
6	02112 - 06407	SCREW	3	
7	02112 - 06457	SCREW	1	
8	09168 - 06001	GASKET	1	
9	09128 - 06004	PLUG, oil level	1	
10	09200 - 20810	PLUG, oil filler	1	
11	11351M35406	COVER, magneto	1	
12	11389 - 35402	CUSHION	1	
13	02112 - 06357	SCREW	4	
14	09160 - 06031	WASHER	4	
15	09161 - 09003	WASHER	4	
16	09180 - 06134	SPACER, magneto Cover	4	
17	11483 - 35400	CUSHION	1	
18-1	11361M35403	COVER, engine sprocket	1	model G/J/K/M
18-2	11361M35520	COVER, engine sprocket	1	model N
19	02112 - 06507	SCREW	2	
20	17110 - 35410	FAN, cooling	1	
21	01107 - 06167	BOLT	2	
22	08321 - 21067	LOCK WASHER	2	
23	08322 - 21067	WASHER	2	
24	17131M35414	COWLING, fan	1	
25	02112 - 06207	SCREW	1	
26	02112 - 06308	SCREW	2	
27	02112 - 06357	SCREW	1	
28	17133M35412	PLATE, fan cowling	1	
29	02152 - 05088	SCREW	3	
30	68233 - 35401	EMBLEM, clutch cover	1	
31	17139 - 35412	EMBLEM, fan cowling	1	
32	68234 - 35500	EMBLEM, sprocket cover	1	model N

2

2

FIG.4



RC100N P8

FIG.4 (B-5) CRANKSHAFT

REF.NO.	PART NO.	DESCRIPTION	Q'TY	REMARKS
1-1	12110 - 35504 - OFO	PISTON (STD)	1	model G/J
1-2	12110 - 09C00 - OFO	PISTON (STD)	1	model K/M/N
1-3	12110 - 35504 - 050	PISTON (OS:0.5)	1	model G/J OPT
1-4	12110 - 09C00 - 050	PISTON (OS: 0.5)	1	model K/M/N OPT
1-5	12110 - 35504 - 100	PISTON (OS:1.0)	1	model G/J OPT
1-6	12110 - 09C00 - 100	PISTON (OS:1.0)	1	MODEL K/M/N OPT
2-1	12140 - 35510	RING SET, piston (STD)	1	
2-2	12140 - 35510 - 050	RING SET, piston (OS:0.5)	1	OPT
2-3	12140 - 35510 - 100	RING SET, piston (OS:1.0)	1	OPT
3	12151 - 35500	PIN, piston	1	
4	09263 - 12023	BEARING, piston pin	1	
5	09381 - 12001	CIRCLIP	2	
6	12200 - 35505	CRANKSHAFT ASSY	1	
7	12221 - 35501	CRANKSHAFT, RH	1	
8	12261 - 35403 - 0A0	CRANKSHAFT, LH	1	
9	09610 - 20010	WASHER	2	
10	12161 - 35500	ROD, connecting	1	
11	09263 - 20052	BEARING	1	
12	12211 - 35401	PIN, crank	1	
13	12359 - 35500	SPACER, RH	1	
14-1	09181 - 25051	SHIM (T:0.60)	0-1	
14-2	09181 - 25052	SHIM (T:0.65)	0-1	
14-3	09181 - 25053	SHIM (T:0.70)	0-1	
14-4	09181 - 25054	SHIM (T:0.75)	0-1	
14-5	09181 - 25055	SHIM (T:0.80)	0-1	
14-6	09181 - 25056	SHIM (T:0.85)	0-1	
14-7	09181 - 25057	SHIM (T:0.90)	0-1	
14-8	09181 - 25058	SHIM (T:0.95)	0-1	
14-9	09181 - 25059	SHIM (T:1.00)	0-1	
14-10	09181 - 25060	SHIM (T:1.05)	0-1	
14-11	09181 - 25061	SHIM (T:1.10)	0-1	
14-12	09181 - 25062	SHIM (T:1.15)	0-1	
14-13	09181 - 25063	SHIM (T:1.20)	0-1	
14-14	09181 - 25064	SHIM (T:1.25)	0-1	
14-15	09181 - 25065	SHIM (T:1.30)	0-1	

FIG.4

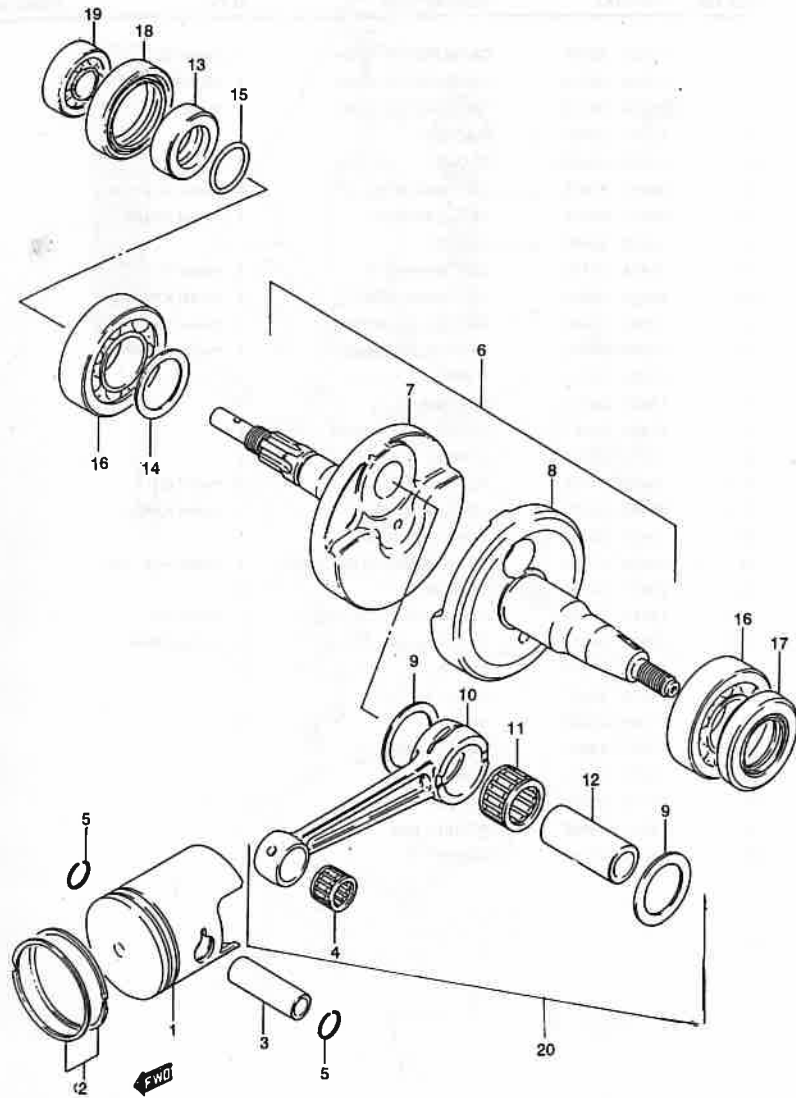


FIG.4 (B-6) CRANKSHAFT

REF.NO.	PART NO.	DESCRIPTION	Q'TY *	REMARKS
15	09280 - 20004	O RING	1	
16	09262 - 25070 - OAO	BEARING, MDL/LH (25 x 52 x 15)	2	
17	09283 - 25066	OIL SEAL, LH (25x44x7)	1	
18	09289 - 32003	OIL SEAL, RH (32x44x8)	1	
19	08143 - 62017	BEARING, RH (12x32x10)	1	
20	12105 - 35840	CON-ROD SET	1	

2

2

FIG.5

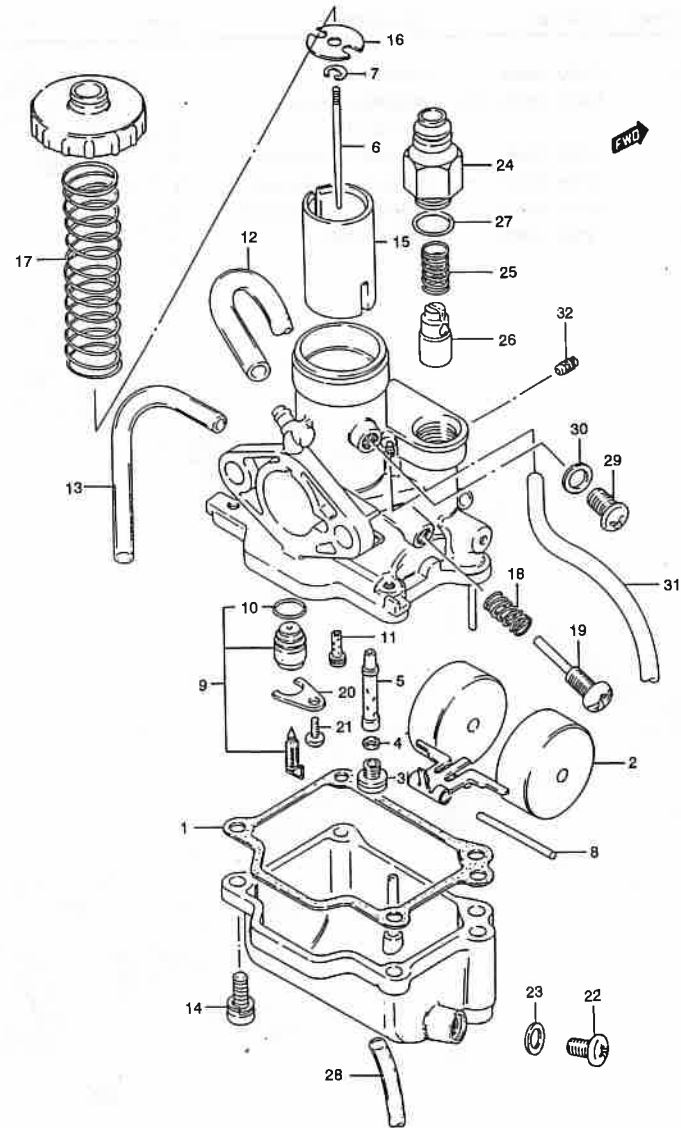


FIG.5 (B-7) CARBURETOR

REF.NO.	PART NO.	DESCRIPTION	Q'TY	REMARKS
	13200 - 35581	CARBURETOR ASSY	1	model G/J
	13200 - 09C30	CARBURETOR ASSY	1	model K/M
	13200 - 09C70	CARBURETOR ASSY	1	model N
1	13251 - 35400	.GASKET	1	
2	13250 - 35400	.FLOAT	1	
3-1	09491 - 87005	.JET, main (87.5)	1	model G/J
3-2	09491 - 92004	.JET, main (92.5)	1	model K/M/N
4	13332 - 35400	.GASKET	1	
5-1	09494 - 00431	.JET, needle (E-8)	1	model G/J
5-2	09494 - 00603	.JET, needle (E-6)	1	model K/M/N
6-1	13383 - 35440	.NEEDLE, jet (3L19-3)	1	model G/J
6-2	13383 - 09C10	.NEEDLE, jet (3R4-3)	1	model K/M/N
7	13394 - 12110	.E RING	1	
8	13254 - 20010	.PIN, float	1	
9	13370 - 02421	.VALVE ASSY, needle	1	
10	13374 - 46710	.O RING	1	
11-1	09492 - 20008	.JET, pilot (20)	1	model G/J
11-2	09492 - 22006	.JET, pilot (22.5)	1	model K/M/N
12	13683 - 35420	.HOSE (4.5x8x600)	1	
13	13683 - 37420	.HOSE, air vent (3.5x6.5x500)	1	L:500 → 140
14	13601 - 04148	.SCREW	4	
15-1	13551 - 35410	.VALVE, piston (CA:2.0)	1	model G/J
15-2	13551 - 09C10	.VALVE, piston (CA:2.5)	1	model K/M/N
16	13581 - 36212	.PLATE	1	
17	13573 - 35400	.SPRING	1	
18	13268 - 43200	.SPRING	1	
19	13267 - 43200	.SCREW, stop	1	
20	13373 - 46710	.PLATE	1	
21	02112 - 03066	.SCREW	1	
22	13247 - 43200	.SCREW, plug	1	
23	13249 - 43200	.GASKET	1	

FIG.5

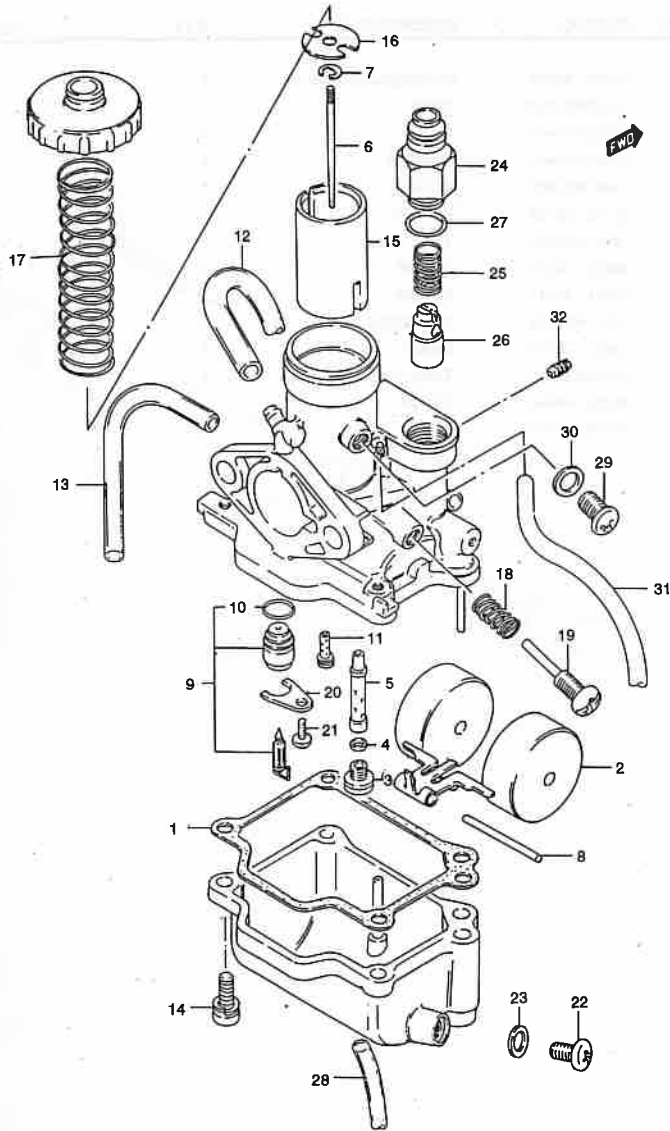


FIG.5 (B-8) CARBURETOR

REF.NO.	PART NO.	DESCRIPTION	Q'TY	REMARKS
24	13418 - 43200	.HOLDER, guide	1	
25	13417 - 01010	.SPRING	1	
26	13411 - 01010	.PLUNGER	1	
27	13278 - 02330	.O RING	1	
28	13683 - 35430	.HOSE, over flow (3x5x250)	1	
29	02112 - 05066	.SCREW	1	
30	13523 - 46110	.GASKET	1	
31	13683 - 36A00	.HOSE, air vent No. 2	1	model N
32-1	09493 - 26004	.JET, pilot air (1.3)	1	model G/J
32-2	09493 - 28007	.JET, pilot air (1.4)	1	model K/M/N
32-3	09493 - 24007	.JET, pilot air (1.2)	1	OPT

2

2

FIG.6

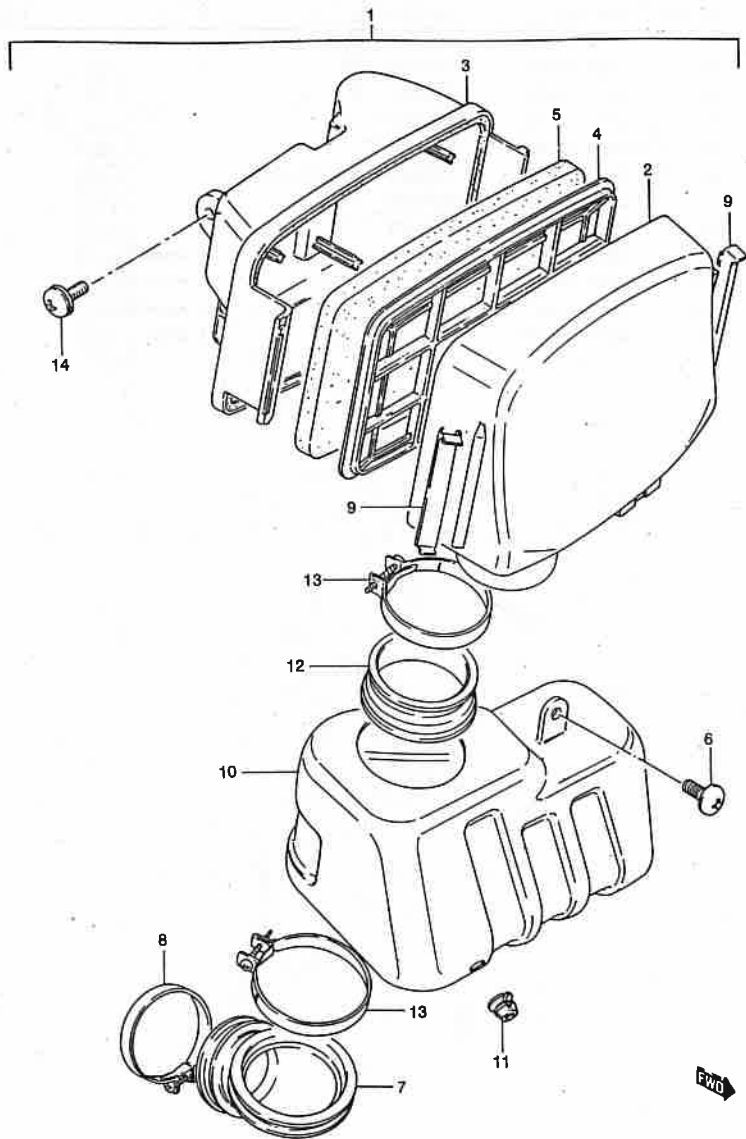
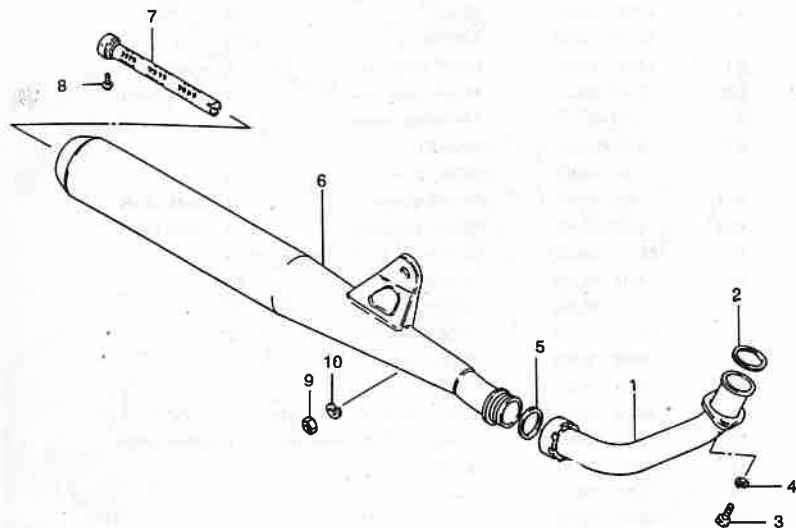


FIG.6 (B-9) AIR CLEANER

REF.NO.	PART NO.	DESCRIPTION	Q'TY	REMARKS
1	13700 - 35403	CLEANER ASSY, air	1	
2	13720M35402	CASE	1	
3	13740M35401	GAP	1	
4	13791M35400	HOLDER	1	
5	13781M35400	FILTER	1	
6	02142 - 06127	SCREW	1	
7	13881M35401	TUBE, outlet	1	
8	09402 - 40305	CLAMP	1	
9	13821 - 00011	SLIDER	2	
10	13711M35403	CHAMBER	1	
11	13860 - 00010	DRAIN	1	
12	13739M35400	TUBE, joint	1	
13	09402 - 48208	CLAMP	2	
14	09136 - 06017	SCREW	2	

FIG. 7

FIG. 7 (C-2) MUFFLER



REF.NO.	PART NO.	DESCRIPTION	Q'TY	REMARKS
1-1	14105M35541	PIPE, exhaust	1	model G/J
1-2	14105M09C00	PIPE, exhaust	1	model K/M/N
2	14181 - 35400	GASKET	1	
3	09128 - 08002	BOLT	2	
4	08321 - 21088	LOCK WASHER	2	
5	14181 - 35400	GASKET	1	
6-1	14310M35541	MUFFLER	1	model G/J
6-2	14310M09C01	MUFFLER	1	model K/M
6-3	14310M09C20	MUFFLER	1	← 14310-09C00 model N
7-1	14510M31C00	PIPE, baffle	1	model G/J/K/M
7-2	14510M09C20	PIPE, baffle	1	← 14510-35401 model N
8	02112 - 05068	SCREW	1	
9	08310 - 12088	NUT	1	
10	08321 - 21088	LOCK WASHER	1	

2

FWD

2

FIG.8

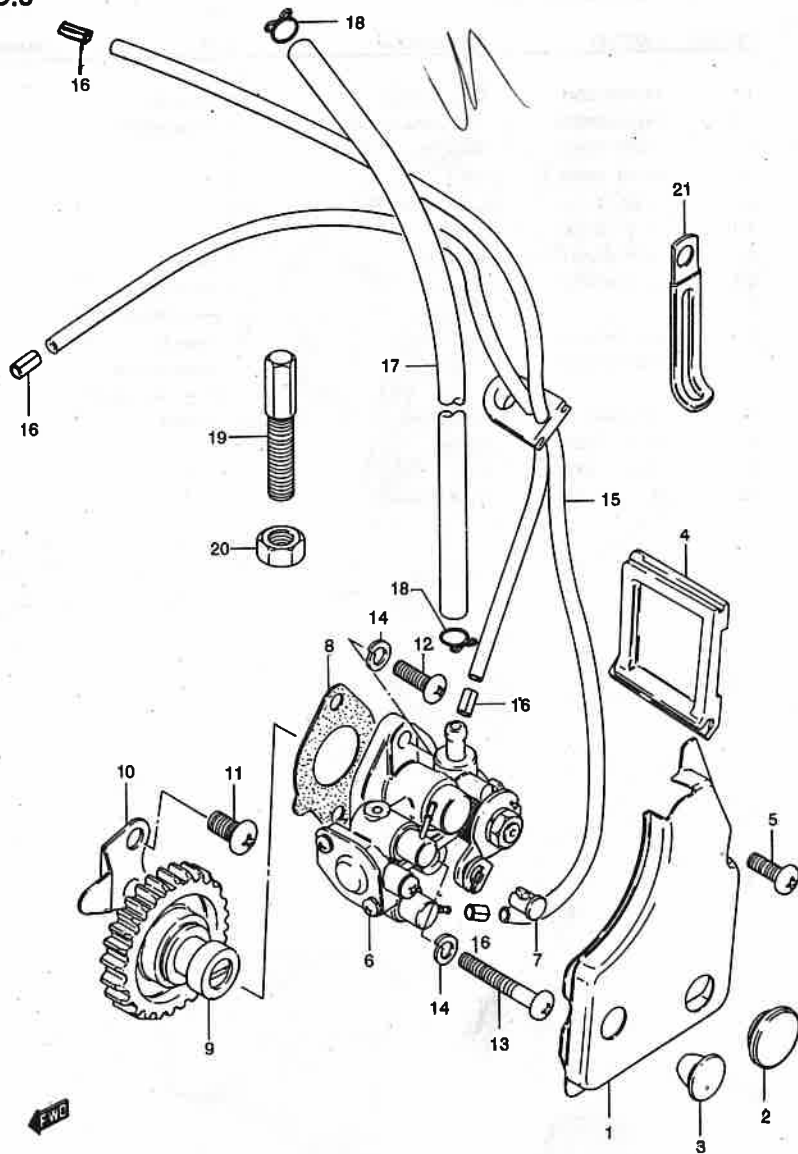


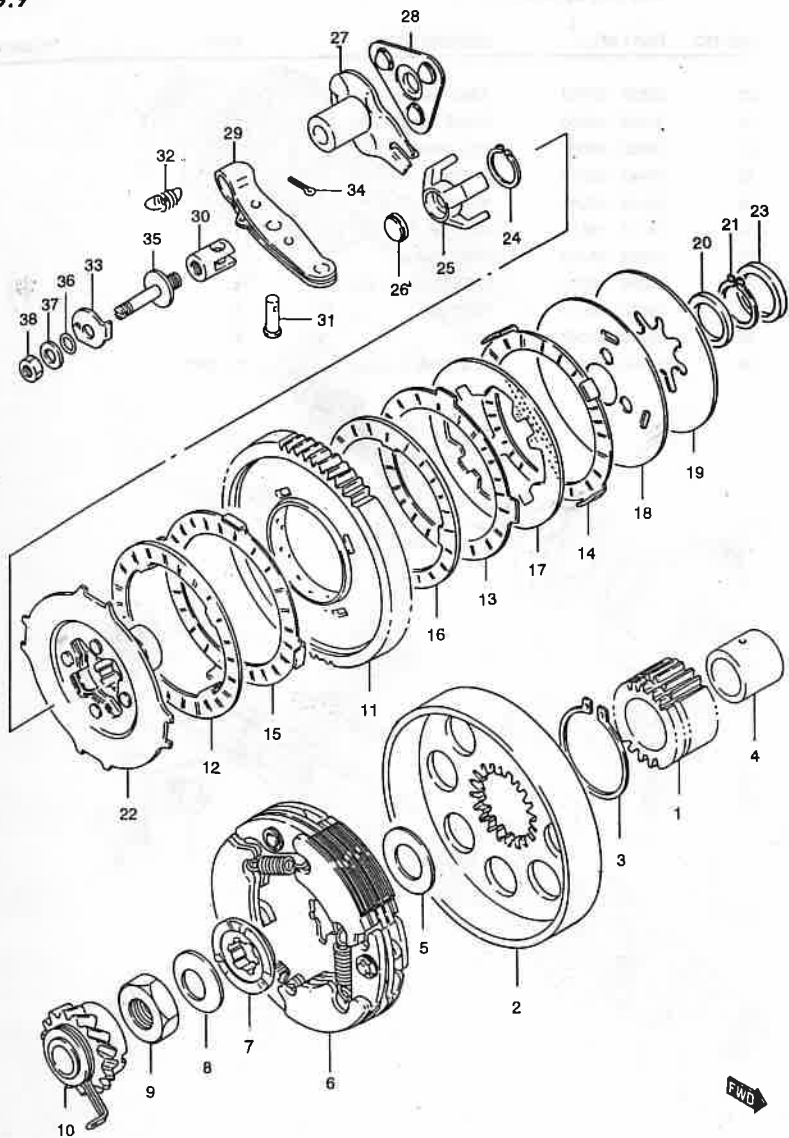
FIG.8 (C-3) OIL PUMP

REF.NO.	PART NO.	DESCRIPTION	QTY	REMARKS
1	11385M35404	CAP, oil pump inspection	1	W/09321-09001 ← 11385-35403
2	09250 - 12009	CAP	1	
3	09321 - 09001	PLUG	1	model G/J/K
4	11387 - 35401	SEAL	1	
5	02112 - 05108	SCREW	2	
6-1	16100 - 35500	PUMP ASSY, oil	1	model G/J
6-2	16100 - 09C00	PUMP ASSY, oil	1	model K/M/N
7	16292 - 03112	TERMINAL, cable	1	
8	16731M03101	GASKET	1	
9	16320 - 35401	GEAR, drive	1	
10-1	16329 - 35401	PLATE, stopper	1	model G/J/K
10-2	16329M35402	PLATE, stopper	1	model M/N
11	02112 - 06128	SCREW	2	
12	02112 - 05168	SCREW	1	
13	02112 - 05308	SCREW	1	
14	08321 - 21057	LOCK WASHER	2	
15	16820 - 35403	HOSE, outlet	1	
16	09401 - 04401	CLIP	4	
17-1	09352 - 45853-300	HOSE, inlet (L:300 → 240)	1	model G/J
17-2	09352 - 45853-300	HOSE, inlet (L:300 → 260)	1	model K/M/N
18	09401 - 08401	CLAMP	2	
19	09119 - 08014	ADJUSTER	1	
20	08310 - 12088	NUT	1	
21	09404 - 06402	CLAMP (L:60)	1	

RC100N P8

FIG.9

FIG.9 (C-4) CLUTCH



REF.NO.	PART NO.	DESCRIPTION	Q.TY.	REMARKS
1	21111 - 35404	GEAR, primary drive (NT:20)	1	
2	21112 - 35402	HOUSING, clutch	1	
3	08331 - 31383	CIRCLIP	1	
4	09180 - 19007	SPACER (L:23.5)	1	
5	09160 - 17032	THRUST WASHER (17x45x2)	1	
6	21501 - 35413	CLUTCH ASSY	1	
7	26231 - 35403	STARTER, kick	1	
8	09164 - 14011	LOCK WASHER	1	
9	09140 - 14022	NUT	1	
10-1	26280 - 35402	GEAR, kick driven	1	model G/J/K/M
10-2	26280 - 31C00	GEAR, kick driven	1	model N
11	21210 - 35503	GEAR, primary drive (NT: 65)	1	
12	21451 - 35401	PLATE, drive, No. 1	1	
13	21441 - 35510	PLATE, drive, No. 2	1	
14	21451 - 30A00	PLATE, drive No. 3	1	
15	21452 - 35401	PLATE, driven No. 1	1	
16	21451 - 35501	PLATE driven, No. 2	1	
17	21452 - 35500	PLATE, driven, No. 3	1	
18	21461 - 35402	PLATE, pressure	1	
19	09164 - 22004	SPRING	1	
20	09180 - 22033	SPACER (22x28x4)	1	
21	08331 - 31216	CIRCLIP	1	
22	21410 - 35502	HUB, sleeve	1	
23	09180 - 17076	SPACER (17x24x4.5)	1	
24	08331 - 31176	CIRCLIP	1	
25	23121 - 09D00	PIECE, push	1	
26	09266 - 16002	BEARING	1	
27-1	23230 - 35501	BALL GUIDE, outer	1	model G
27-2	23230 - 35510	BALL GUIDE, outer	1	model J/K/M/N
28	23250 - 35401	BALL, release	1	← 23250-35400

2

2

FIG.9

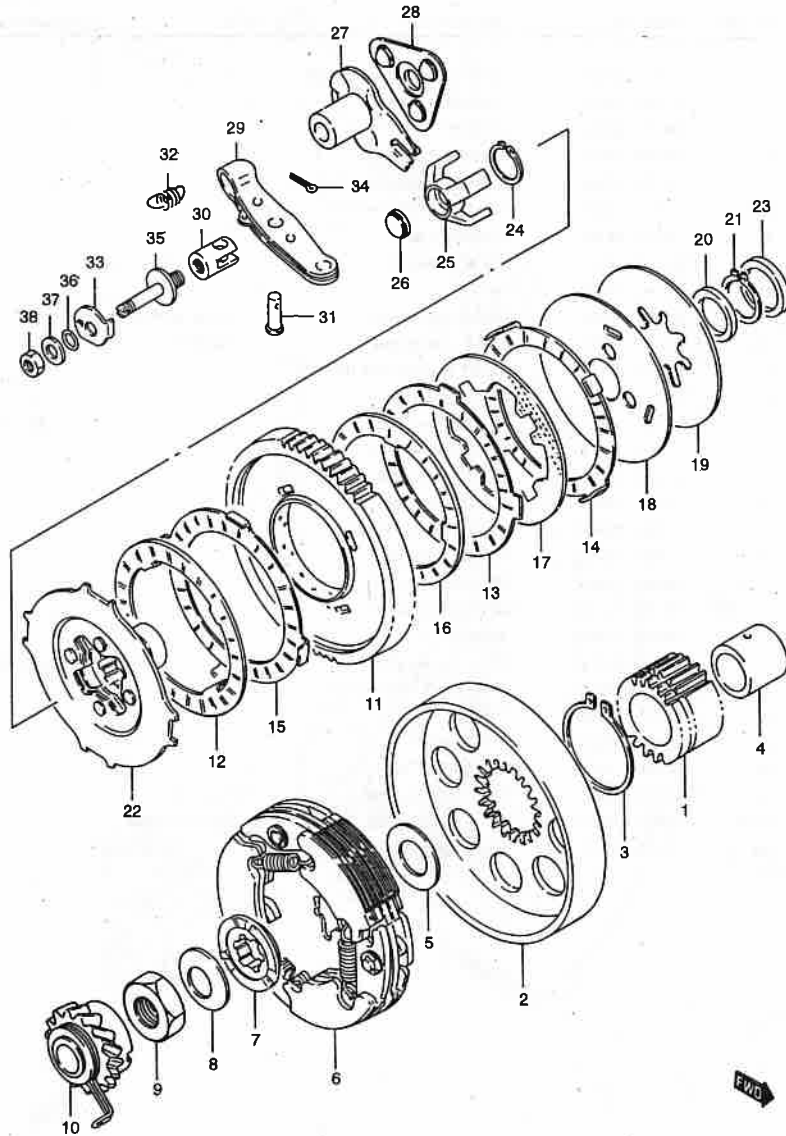


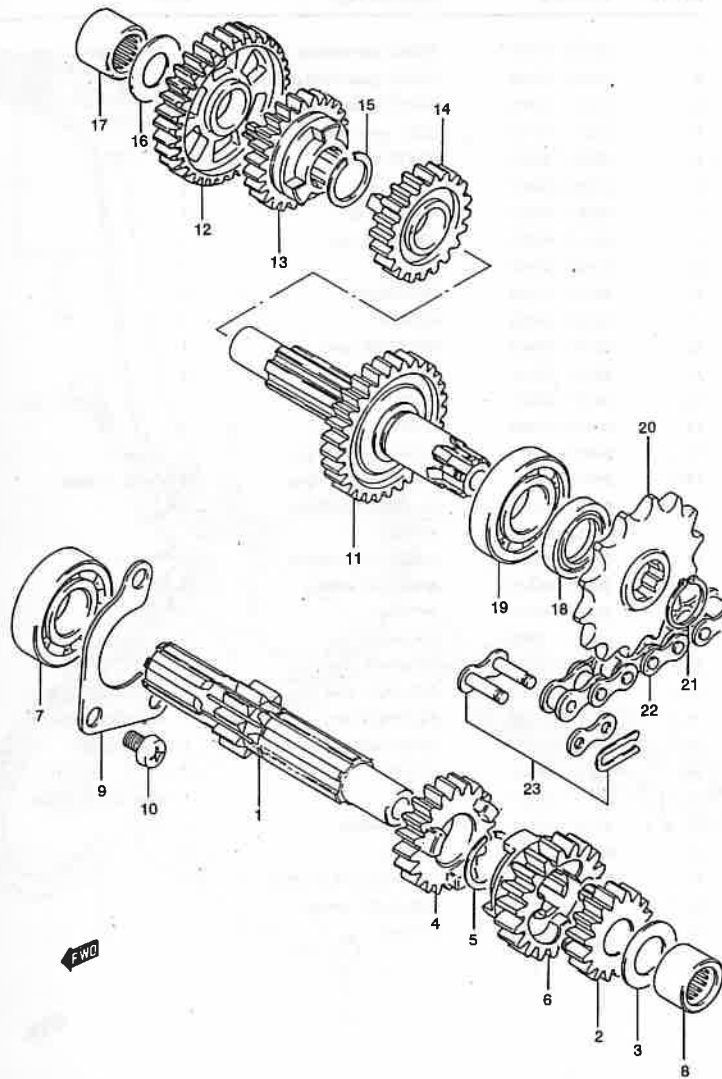
FIG9 (C-5) CLUTCH

REF.NO.	PART NO.	DESCRIPTION	Q'TY	REMARKS
29	23221 - 35403	ARM, release	1	
30	23222 - 09400	BOSS, release arm	1	
31	09200 - 07005	PIN, release arm	1	
32	09443 - 06053	SPRING	1	
33	09169 - 06046	WASHER	1	
34	04111 - 16158	COTTER PIN	1	
35	23223 - 35413	BOLT, adjust	1	
36	09280 - 06005	O RING (D:1.9, ID:5.7)	1	
37	09160 - 06017	WASHER	1	
38	08310 - 22067	NUT	1	
39	21400 - 35830	PLATE SET, clutch	1	OPT.



FIG.10

FIG.10 (C-6) TRANSMISSION



REF.NO.	PART NO.	DESCRIPTION	QTY	REMARKS
1	24121 - 35503	COUNTERSHAFT (NT:10)	1	
2	24220 - 02A00	GEAR, 2nd drive (NT:16)	1	← 24221-35404
3	09160 - 13006	WASHER (13x24x1)	1	
4	24231 - 35403	GEAR, 3rd drive (NT:20)	1	
5	09380 - 17007	CIRCLIP	1	
6	24241 - 35501	GEAR, 4th drive (NT:20)	1	
7	08110 - 62030	BEARING, RH	1	
8	09263 - 13001	BEARING, LH	1	
9	24741 - 35400	RETAINER, bearing	1	
10	02112 - 06108	SCREW	3	
11	24130 - 35402	SHAFT, drive (NT:29)	1	
12	24310 - 30A00	GEAR, 1st driven (NT:34)	1	
13	24331 - 35403	GEAR, 3rd driven (NT:24)	1	
14	24341 - 35501	GEAR, 4th driven (NT:20)	1	
15	09380 - 17007	CIRCLIP	1	
16	09160 - 13006	WASHER (13x24x1)	1	
17	09263 - 13001	BEARING, RH	1	
18	09283 - 17014	OIL SEAL (17x28x6)	1	
19	09262 - 17023	BEARING, LH	1	
20	27511 - 27401	SPROCKET, engine (NT:14)	1	
21	08331 - 31166	CIRCLIP	1	
22	27600M07612	CHAIN, drive (428x102LE)	1	
23-1	27620 - 20910	JOINT (DID)	1	
23-2	27620 - 05220	JOINT (RK)	1	

3

FIG.11

3

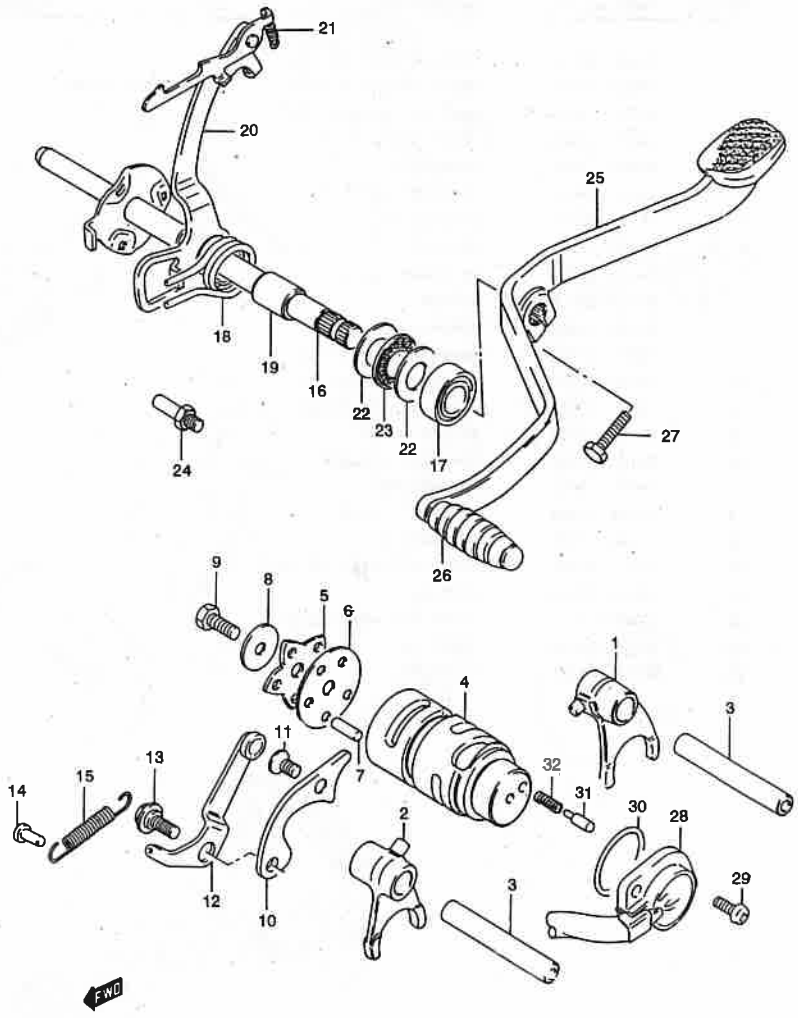


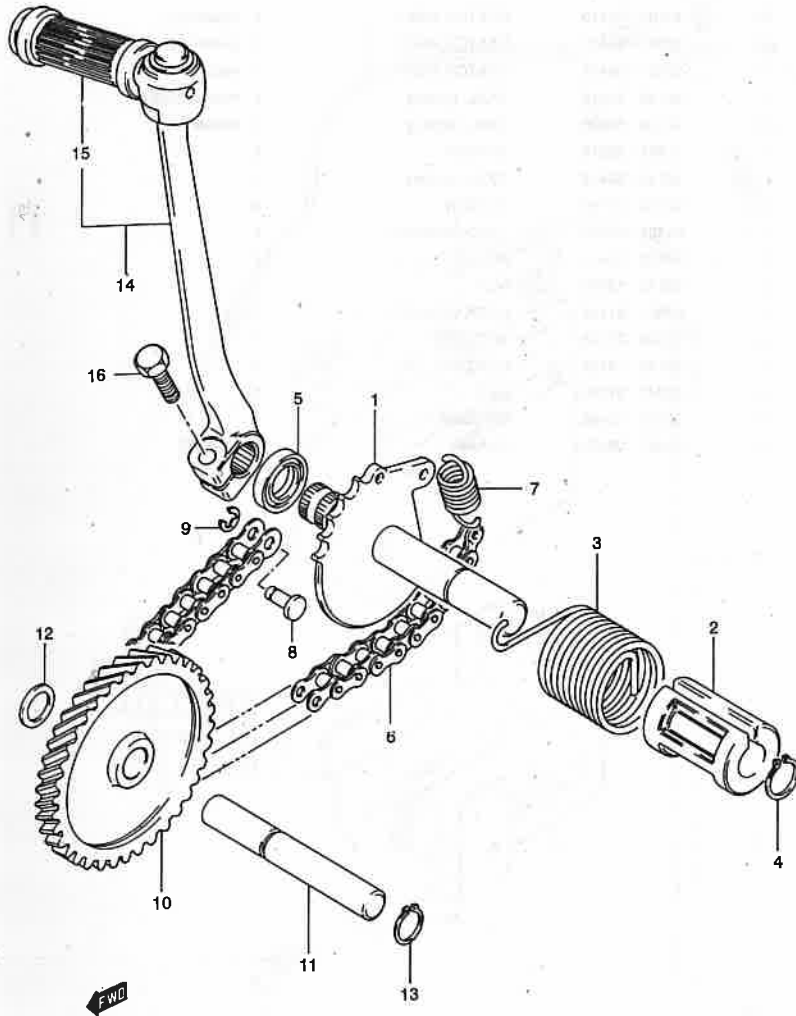
FIG.11(C-7) GEAR SHIFTING

REF.NO.	PART NO.	DESCRIPTION	Q'TY	REMARKS
1	25210 - 31C01	FORK, gear shifting, No. 1	1	← 25211-35400
2	25221 - 35400	FORK, gear shifting, No.2	1	
3	25421 - 35401	SHAFT, gear shifting	2	
4	25311 - 35413	CAM, gear shifting	1	
5	25381 - 35411	PLATE, stopper	1	
6	25382 - 35411	GUIDE, pin	1	
7	09261 - 04002	PIN (4x13.8)	4	
8	08211 - 06221	STOPPER, pin	1	
9	01107 - 06167	BOLT	1	
10	25341 - 35400	RETAINER	1	
11	02122 - 06128	SCREW	1	
12	25350 - 35403	STOPPER, cam	1	
13	09111 - 06041	BOLT	1	
14	09223 - 04001	HOOK	1	
15	09443 - 07026	SPRING	1	
16-1	25510 - 35504	SHAFT, gear shifting	1	model G
16-2	25510 - 35511	SHAFT, gear shifting	1	model J/K/M/N
17	09285 - 12002	OIL SEAL (12x22x9)	1	
18	09444 - 26021	SPRING	1	
19	09180 - 12036	SPACER (12x16x20)	1	
20	25520 - 35415	ARM, gear shifting	1	
21	09443 - 09018	SPRING	1	
22	08211 - 12262	WASHER	2	
23	09263 - 12019	BEARING	1	
24-1	25671 - 35400	STOPPER, arm	1	model G/J/K,L:39
24-2	25671 - 31C00	STOPPER, arm	1	model K/M/N,L:41
25	25600M31C00	LEVER ASSY, gear shifting	1	model K/M/N
26	25652 - 16500	COVER	1	
27	01107 - 06207	BOLT	1	← 09100-06091
28	37720 - 35400	BODY, switch	1	
29	02112 - 05128	SCREW	2	
30	09280 - 26003	O RING (D:2.4, ID:26.2)	1	
31	09209 - 05011	CONTACT, switch	1	
32	09440 - 04010	SPRING	1	

FIG.12

FIG.12 (C-8) KICK STARTER

EMARKS



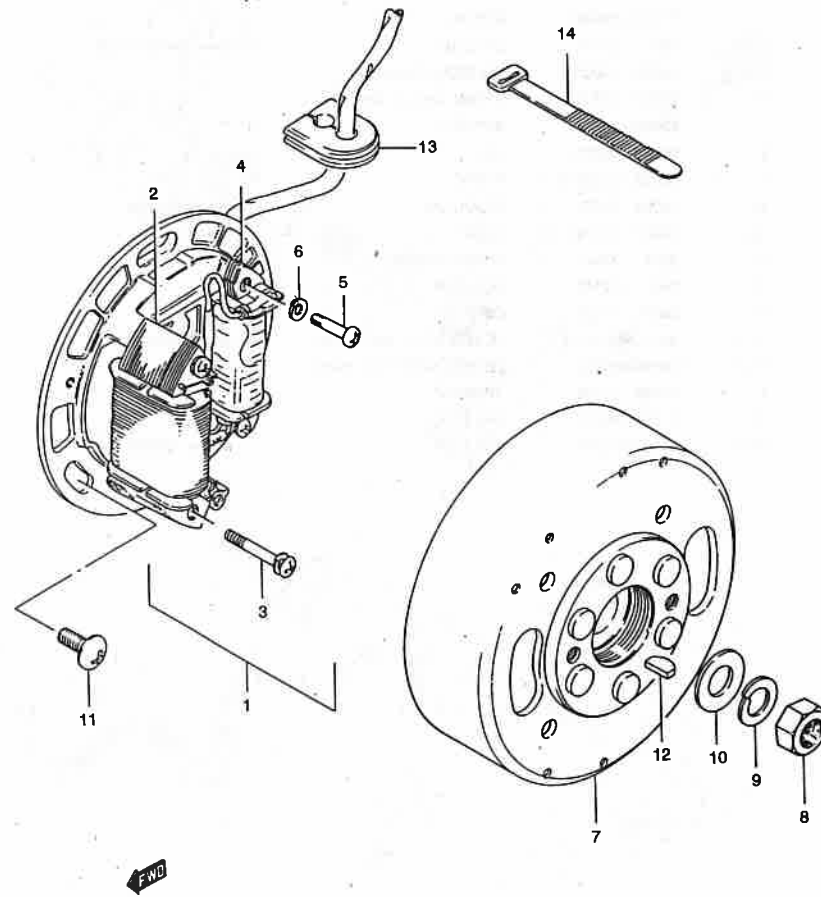
REF.NO.	PART NO.	DESCRIPTION	Q'TY	REMARKS
1	26210 - 35504	SHAFT, kick starter	1	
2	26221 - 35400	GUIDE, spring	1	
3	09448 - 39004	SPRING	1	
4	08331 - 31146	CIRCLIP	1	← 08331-11149
5	09285 - 14001	OIL SEAL (14x24x6)	1	
6	26240 - 35401	CHAIN, kick starter drive	1	
7	09443 - 13011	SPRING	1	
8	09208 - 05005	PIN	1	
9	08332 - 11046	E RING	1	
10-1	26261 - 35403	GEAR, idle	1	model G/J/K/M
10-2	26261 - 31C00	GEAR, idle	1	model N
11	26271 - 35501	SHAFT, idle gear ^a	1	
12	08211 - 12181	WASHER	1	
13	08331 - 31126	CIRCLIP	1	
14-1	26300M35400	LEVER ASSY, kick starter	1	model G/J/K/M
14-2	26300M35440	LEVER, ASSY, kick starter	1	model N
15	26352 - 01000	.RUBBER	1	
16-1	01107 - 06207	BOLT	1	model G
16-2	01107M06257	BOLT	1	model J/K/M/N

3

FIG.13

FIG.13 (D-2) MAGNETO

3



REF.NO.	PART NO.	DESCRIPTION	Q'TY	REMARKS
1-1	32101 - 35410	STATOR ASSY	1	model G/J
1-2	32101 - 35411	STATOR ASSY	1	model K/M
1-3	32101 - 35421	STATOR ASSY	1	model N
2-1	32120 - 35410	.COIL, lighting	1	model G/J/K/M
2-2	32120 - 35420	.COIL, lighting	1	model N
3	32351 - 39210	SCREW	2	
4	32140 - 35410	.COIL, primary	1	
5	02112 - 04167	.SCREW	2	
6	08321 - 21047	.LOCK WASHER	2	
7	32102 - 35410	ROTOR	1	
8	09140 - 10003	NUT	1	
9	08321 - 21107	LOCK WASHER	1	
10	08322 - 21108	WASHER	1	
11	02142 - 05128	SCREW	3	
12	08341 - 31039	KEY	1	
13	32372 - 35400	GROMMET	1	
14	09407 - 08401	CLAMP	1	model G

FIG.14

EMARKS

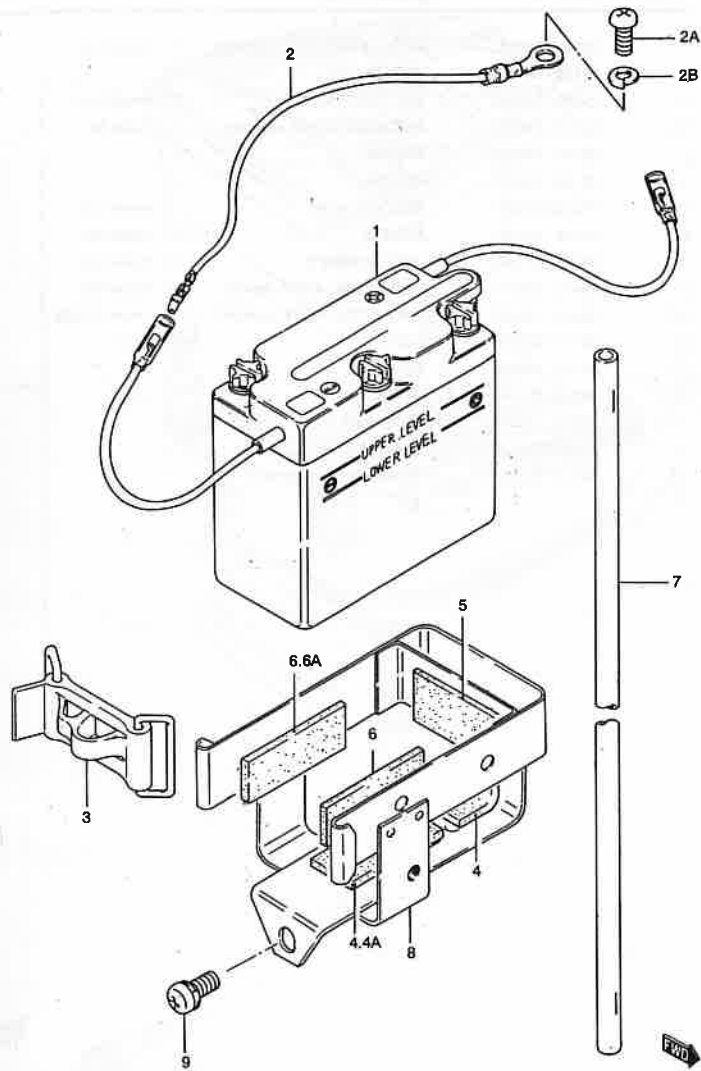


FIG.14 (D-3) BATTERY

REF.NO.	PART NO.	DESCRIPTION	Q'TY	REMARKS
1-1	33610M38010	BATTERY (6V, 4AH)	1	YB ← 33610M03010 G/J/K/M
1-2	33610 - 38020	BATTERY (6V, 4AH)	1	FB
1-3	33610M31C10	BATTERY (12V, 3AH)	1	YB Model N ← 33610M31C00
2	36862 - 27690	LEAD WIRE, battery (-)	1	model G/J/K/M
2A	02112 - 05087	SCREW	1	
2B	08321 - 21057	LOCK WASHER	1	
3	33651 - 35400	BAND, battery	1	
4-1	33652M36000	PROTECTOR (30x50x3)	2	model G/J
4-2	33652M36000	PROTECTOR (30x50x3)	1	model K/M
4A	33652M35499	PROTECTOR BATTERY (40x25x3)	1	model N
5	33652M39000	PROTECTOR (25x30x3)	1	
5A	33652 - 31C10	PROJECTOR BATTERY C (14X40X30)	1	model N
6	33652M35499	PROTECTOR BATTERY (40x25x3)	1	
6A	33652M29100	PROTECTOR CUSHION (20x90x6)	1	model N
7	33680 - 01400	HOSE, battery exhaust	1	model
8-1	41540M35410	HOLDER, battery	1	model G/J/K/M
8-2	41540M35420	HOLDER, battery	1	model N
9	02112 - 36128	SCREW	1	

3

FIG.15

3

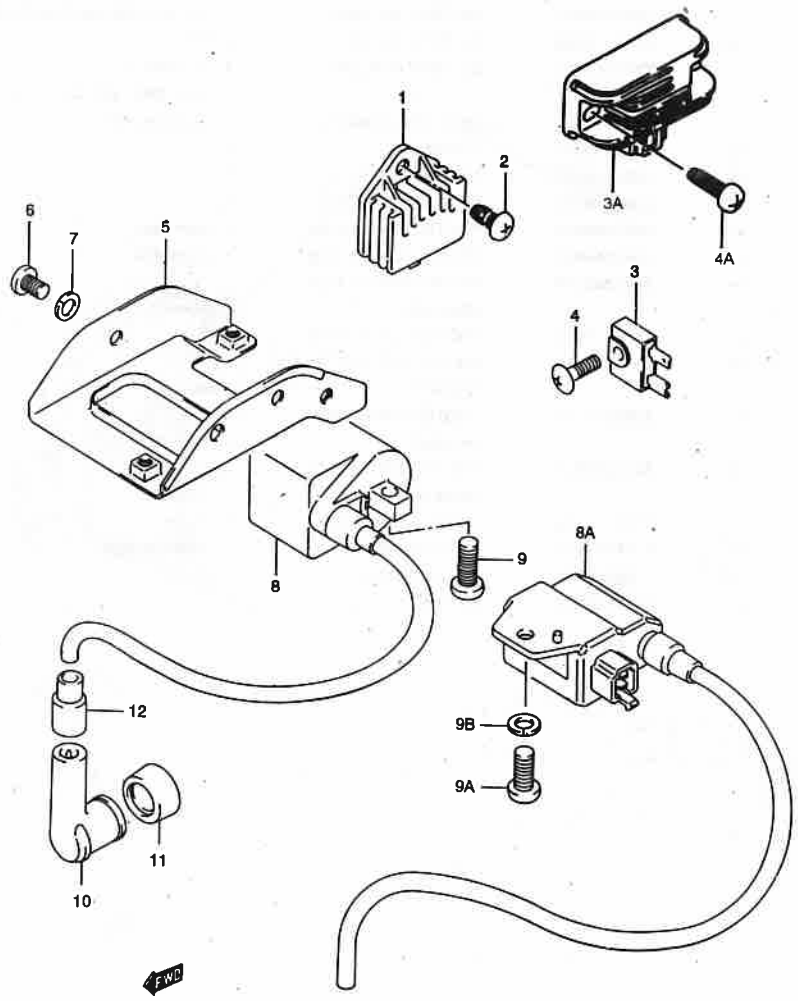


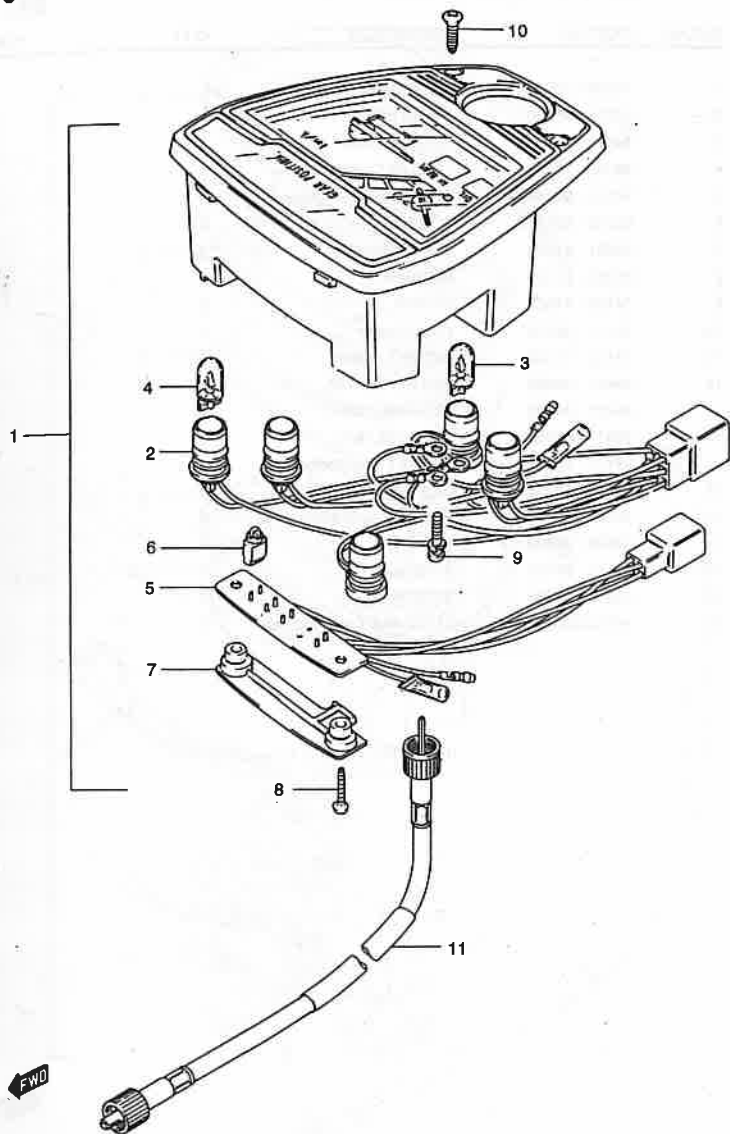
FIG.15 (D-4) ELECTRICAL

REF.NO.	PART NO.	DESCRIPTION	Q'TY	REMARKS
1	32500 - 02111	REGULATOR ASSY, voltage	1	model K/M
2	09129 - 06004	SCREW	1	
3	32800 - 19063	RECTIFIER ASSY	1	model K/M
3A	32800 - 35421	RECTIFIER ASSY, regulate	1	model N
4	09125 - 05043	SCREW	1	
4A	09129 - 06003	SCREW	2	
5	47410M35400	HOLDER, parts	1	model G/J
6	02112 - 06106	SCREW	2	model G/J
7	08321 - 21066	LOCK WASHER	2	model G/J
8	33410 - 35410	UNIT & COIL ASSY, ignition	1	model G/J
8A	33410 - 35450	UNIT & COIL ASSY, ignition	1	model K/M/N
9	02112 - 06206	SCREW	2	
9A	02112 - 06166	SCREW	1	
9B	08322 - 21066	WASHER	1	
10	33510 - 35410	CAP, spark plug	1	
11	33541 - 69010	SEAL, plug	1	
12	33542 - 35410	SEAL, high tension cord	1	

FIG.16

FIG.16 (D-5) SPEEDOMETER (model G/J/K)

MARKS



REF.NO.	PART NO.	DESCRIPTION	Q'TY*	REMARKS
1-1	34100 - 35560	SPEEDOMETER ASSY (Kilo)	1	model G/J
1-2	34100 - 35590	SPEEDOMETER ASSY (Kilo)	1	model K
2	34173 - 35441	.SOCKET, meter	1	
3	09471 - 06053	.BULB (6V, 3W)	4	
4	09471 - 06052	.BULB (6V, 1.7W)	1	
5	36453 - 35440	.SOCKET, gear indicator	1	
6	09471 - 06059	.BULB	5	
7	36454 - 35440	.COVER, gear indicator	1	
8	36457 - 35440	.SCREW	2	
9	34383 - 09400	.SCREW	3	
10	03231 - 04165	.SCREW	2	
11	34910M35400	CABLE ASSY, speedometer	1	

Refer to FIG.16A(D-6) for model M
 Refer to FIG.16B(D-7) for model N

3

FIG.16A

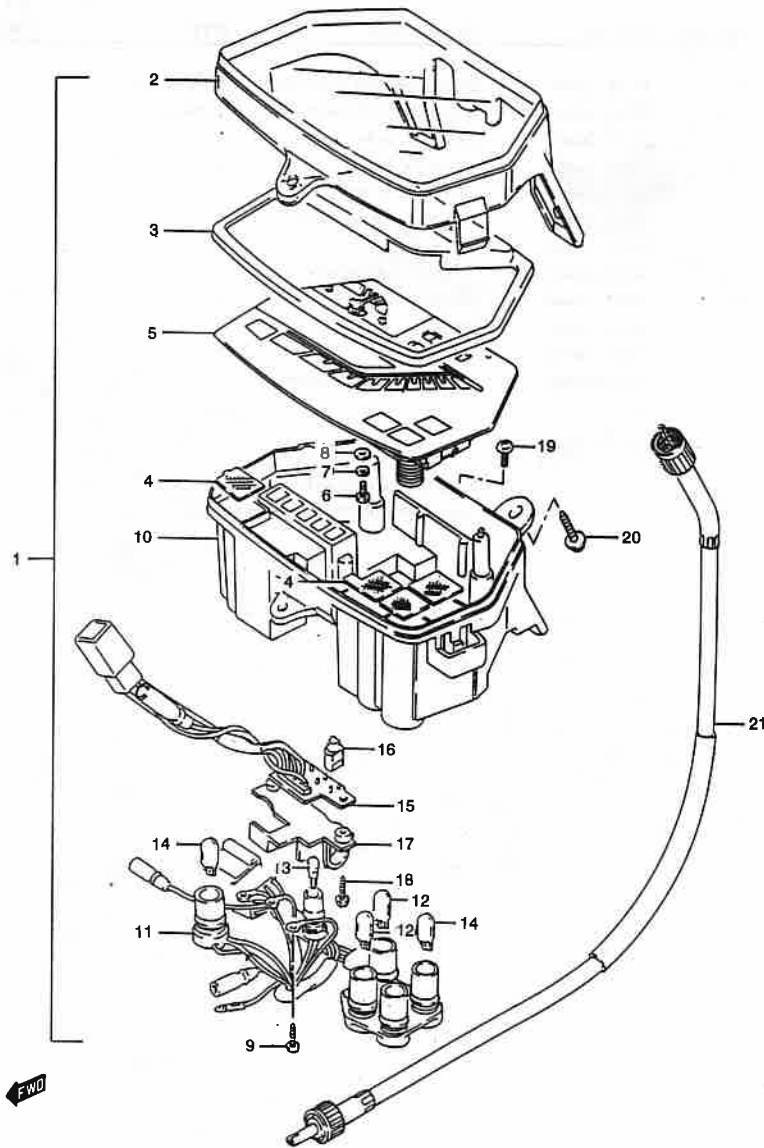


FIG.16A (D-6) SPEEDOMETER (model M)

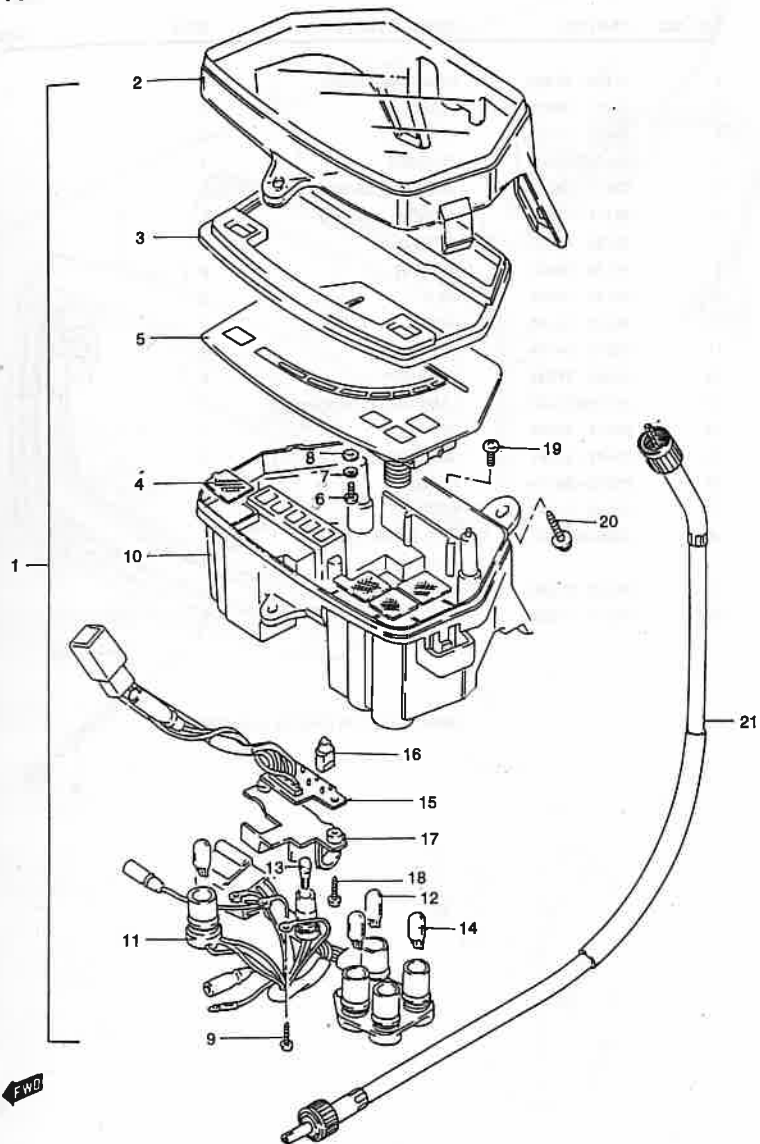
REF.NO.	PART NO.	DESCRIPTION	Q'TY	REMARKS
1	34100 - 10C20	SPEEDOMETER ASSY	1	
2	34112 - 35700	.HOOD, meter	1	
3	34113 - 35780	.PLATE, window	1	
4	36300 - 35820	.LENS SET pilot	1	
5	34120 - 09C60	.SPEEDOMETER (Kilo)	1	
6	02112 - 03106	.SCREW	2	
7	08321 - 21036	.LOCK WASHER	2	
8	08322 - 21036	.WASHER	2	
9	34125 - 16A00	.SCREW	3	
10	34111 - 35700	.CASE, meter	1	
11	34170 - 35700	.SOCKET, meter	1	
12	09471 - 06052	..BULB (6V, 1.7W)	2	
13	09471 - 06062	..BULB (6V, 1.7W)	1	
14	09471 - 06053	..BULB (6V, 3W)	3	
15	34171 - 35700	.SOCKET, gear indicator	1	
16	09471 - 06059	..BULB (7V, 1.1W)	5	
17	34193 - 35700	.PLATE, gear indicator	1	
18	34183 - 35700	.SCREW	2	
19	03111 - 04126	.SCREW	1	
20	03251 - 04208	.SCREW	3	
21	34910M35400	CABLE ASSY, speedometer	1	

Refer to FIG.16B(D-7) for model N

FIG.16B

FIG.16B (D-7) SPEEDOMETER (model N)

REMARKS



REF.NO.	PART NO.	DESCRIPTION	QTY	REMARKS
1	34100M10C30	SPEEDOMETER ASSY	1	
2	34112M35700	.HOOD, meter	1	
3	34113M35780	.PLATE, window	1	
4	36300M35820	.LENS SET, pilot	1	
5	34120 - 09C70	.SPEEDOMETER (kilo)	1	
6	02112 - 03106	.SCREW	2	
7	08321 - 21036	.LOCK WASHER	2	
8	08322 - 21036	WASHER	2	
9	34125 - 16A00	.SCREW	3	
10	34111M35700	.CASE, meter	1	
11	34170 - 35700	.SOCKET, meter	1	
12	09471 - 12052	..BULB (12V, 1.7W)	2	
13	09471 - 12062	..BULB (12V, 1.7W)	1	
14	09471 - 12053	..BULB (12V, 3W)	3	
15	34171 - 35700	.SOCKET, gear indicator	1	
16	09471 - 12059	..BULB (12V, 1.1W)	5	
17	34193 - 35700	.PLATE, gear indicator	1	
18	34183 - 35700	.SCREW	2	
19	03111 - 04126	.SCREW	1	
20	03251 - 04208	.SCREW	3	
21	34910M35400	CABLE, ASSY, speedometer	1	

4

FIG.17

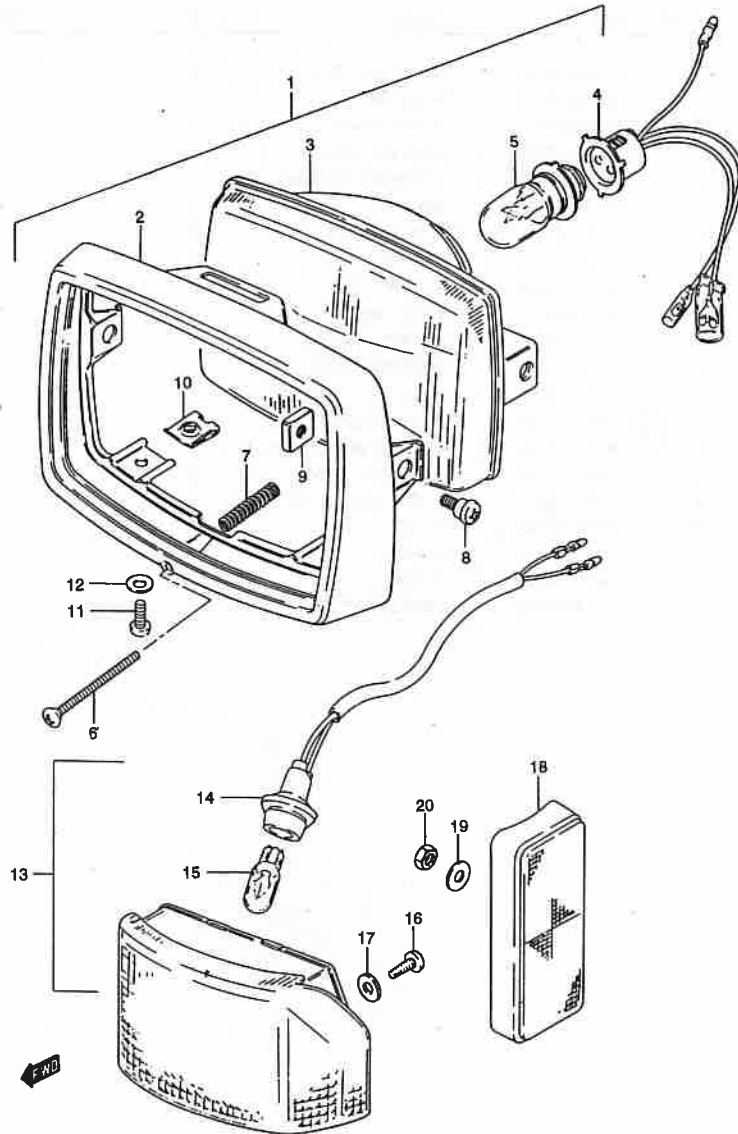


FIG. 17 (D-8) HEADLAMP (model G/J/K)

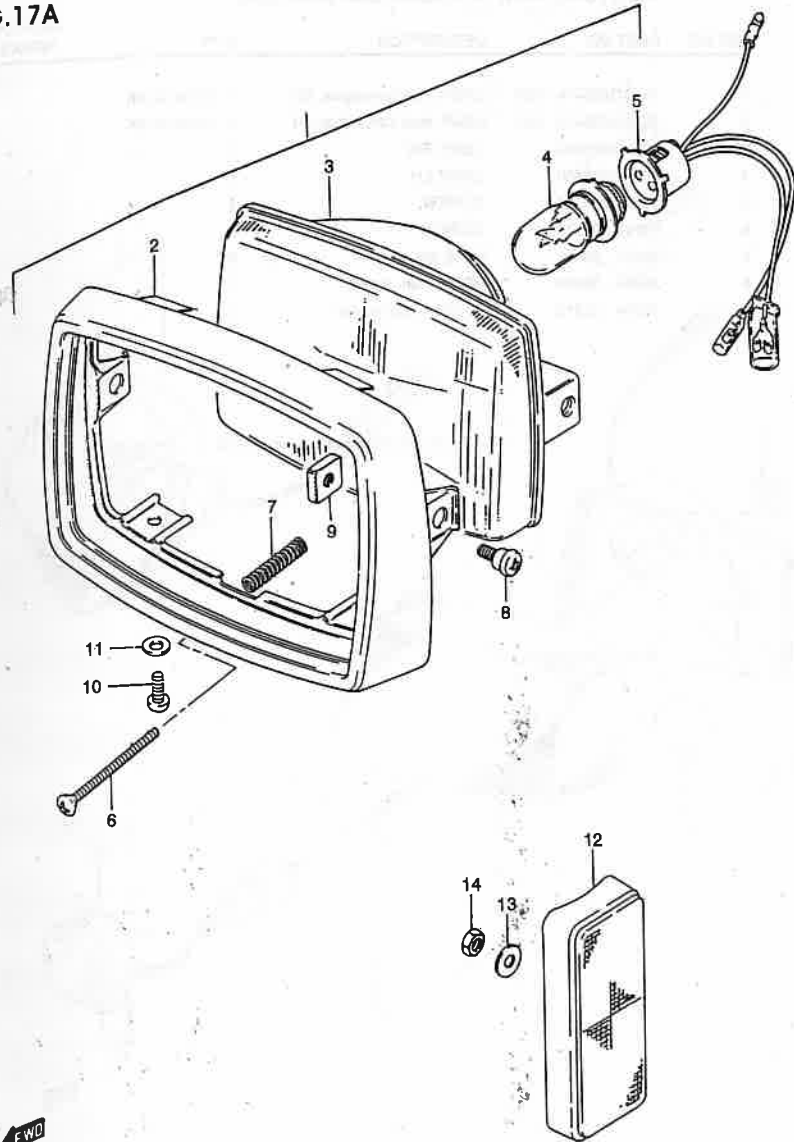
REF.NO.	PART NO.	DESCRIPTION	Q'TY	REMARKS
1	35100 - 35482	HEADLAMP ASSY	1	
2	35111 - 09401	.RIM	1	
3	35121 - 35402	.UNIT	1	
4	35171 - 35300	.SOCKET	1	
5	09471 - 06015	.BULB (6V, 25/25W)	1	
6	35151 - 35402	.SCREW, adjusting	1	
7	35154 - 49430	.SPRING	1	
8	35136 - 35400	.SCREW	2	
9	35135 - 35400	.NUT	2	
10	35135 - 35440	.NUT	2	
11	03212 - 04169	SCREW	2	
12	08322 - 21047	WASHER	2	
13	36120M35420	LAMP ASSY, front position	1	
14	36118 - 35400	.SOCKET	1	
15	09471 - 06061	.BULB (6V, 5W)	1	
16	03212 - 04169	SCREW	2	
17	08322 - 21046	WASHER	2	
18	35950M35400	REFLEX REFLECTOR, front side	2	
19	08322 - 21056	WASHER	2	
20	08310 - 11056	NUT	2	

Refer to FIG.17A (D-9) for model M/N

FIG.17A

FIG.17A (D-9) HEADLAMP (model M/N)

REMARKS



REF.NO.	PART NO.	DESCRIPTION	QTY	REMARKS
1-1	35100 - 35590	HEADLAMP ASSY	1	model M
1-2	35100 - 10C00	HEADLAMP ASSY	1	model N
2	35111 - 35560	RIM	1	
3-1	35121 - 35590	.UNIT	1	model M
3-2	35121 - 10C00	.UNIT	1	model N
4-1	09471 - 06015	.BULB (6V, 25/25W)	1	model M
4-2	09471 - 12013	.BULB (12V, 25/25W)	1	model N
5-1	35171 - 35300	.SOCKET	1	model M
5-2	35171 - 43020	.SOCKET	1	model N
6	35151 - 35402	.SCREW, adjuster	1	
7	35154 - 13610	.SPRING	1	
8	35136 - 35400	.SCREW, side	2	
9	35135 - 35400	.NUT	2	
10	02112 - 05068	SCREW	2	
11	08322 - 21058	WASHER	2	
12	35950M35400	REFLECTOR, front side	2	
13	08322 - 21056	WASHER	2	
14	08310 - 11056	NUT	2	

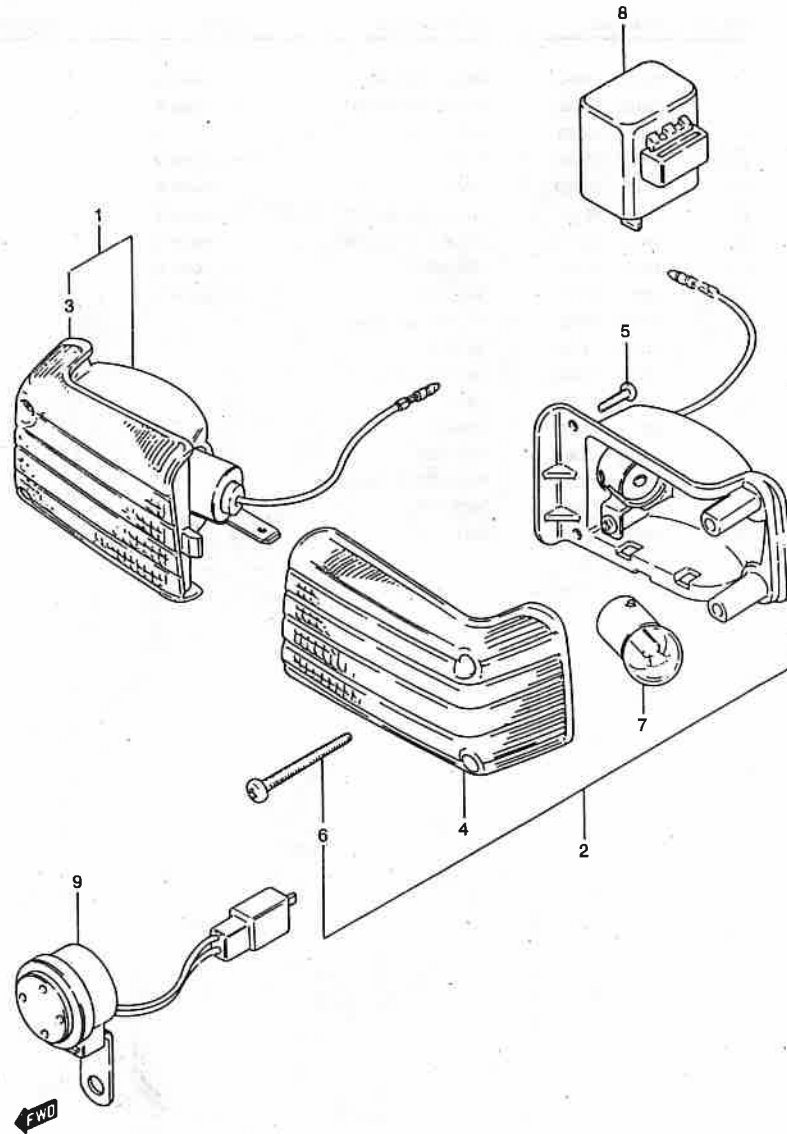
4

FWD

RC100N P8

FIG.18

FIG.18 (D-10) FRONT TURN SIGNAL LAMP (model G/J/K)



REF.NO.	PART NO.	DESCRIPTION	Q'TY	REMARKS
1	35601M35410 - 999	LAMP, front turn signal, RH	1	model G/J/K
2	35602M35410 - 999	LAMP, front turn signal, LH	1	model G/J/K
3	35612M35400	.LENS, RH	1	
4	35632M35400	.LENS, LH	1	
5	35625 - 47610	.SCREW	4	
6	03212 - 04359	.SCREW	4	
7	09471 - 06021	BULB (6V, 8W)	2	
8	38610 - 09400	RELAY, turn signal	1	
9	38790 - 02910	BUZZER, turn signal	1	

Refer to FIG.18A(D-11) for model M/N

RC100N P8

REMARKS

FIG.18A

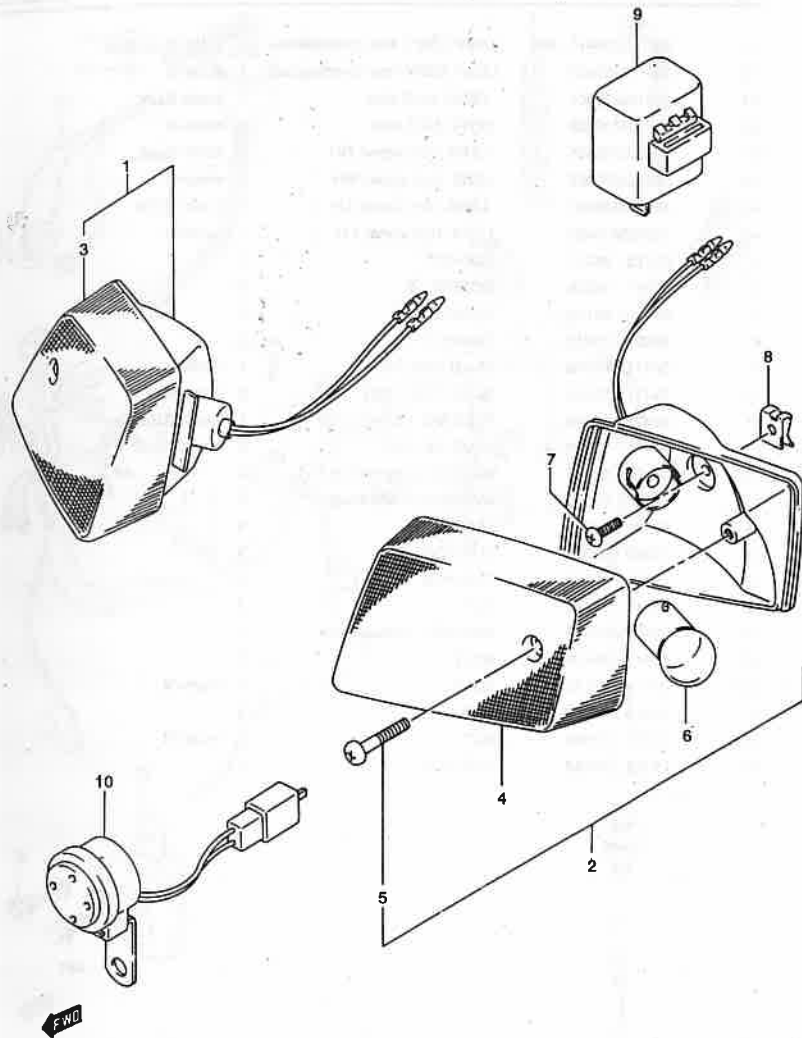


FIG.18A(D-11) FRONT TURN SIGNAL LAMP (model M/N)

REF.NO.	PART NO.	DESCRIPTION	Q'TY	REMARKS
1-1	35601M35450	LAMP ASSY, front turn RH	1	model M
1-2	35601M35460	LAMP ASSY, front turn RH	1	model N
2-1	35602M35450	LAMP ASSY, front turn LH	1	model M
2-2	35602M35460	LAMP ASSY, front turn LH	1	model N
3	35612M35450	.LENS, RH	1	
4	35632M35450	.LENS, LH	1	
5	03511 - 04206	.SCREW	2	
6-1	09471 - 06021	.BULB (6V, 8W)	2	model M
6-2	09471 - 12003	.BULB (12V, 10W)	2	model N
7	03241 - 05126	SCREW	2	
8	09148 - 05019	NUT	2	
9	38610 - 09400	RELAY, turn signal	1	model K/L/M
9A	38610 - 09410	RELAY, turn signal	1	model N
10	38790 - 02910	BUZZER, turn signal	1	

4

FIG.19

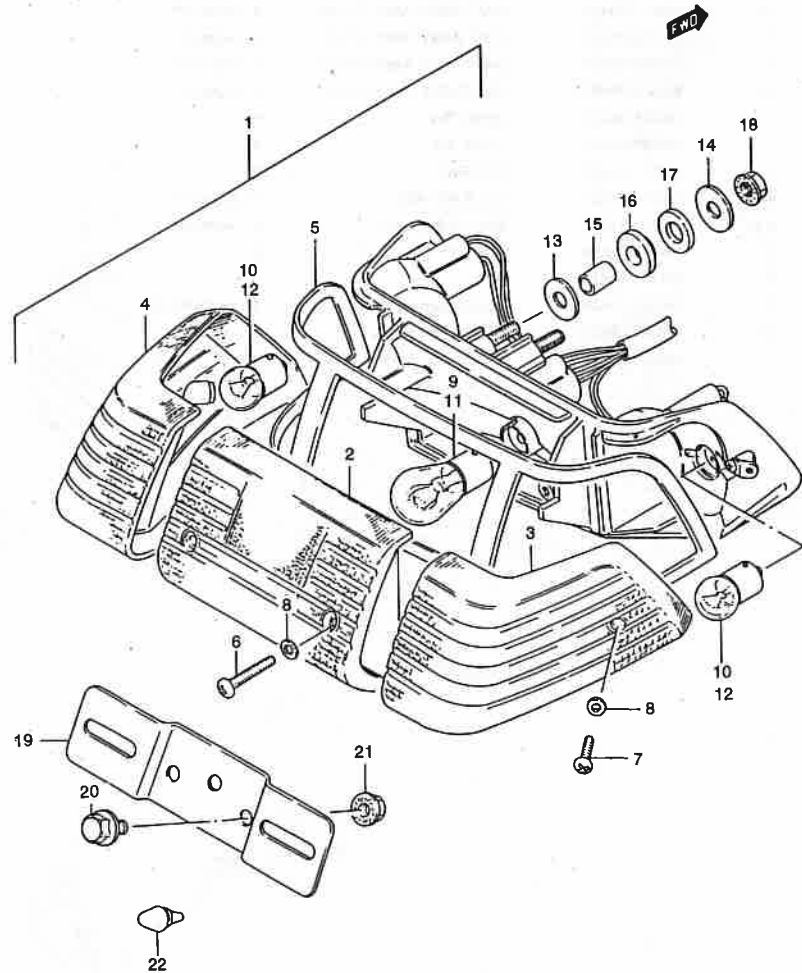


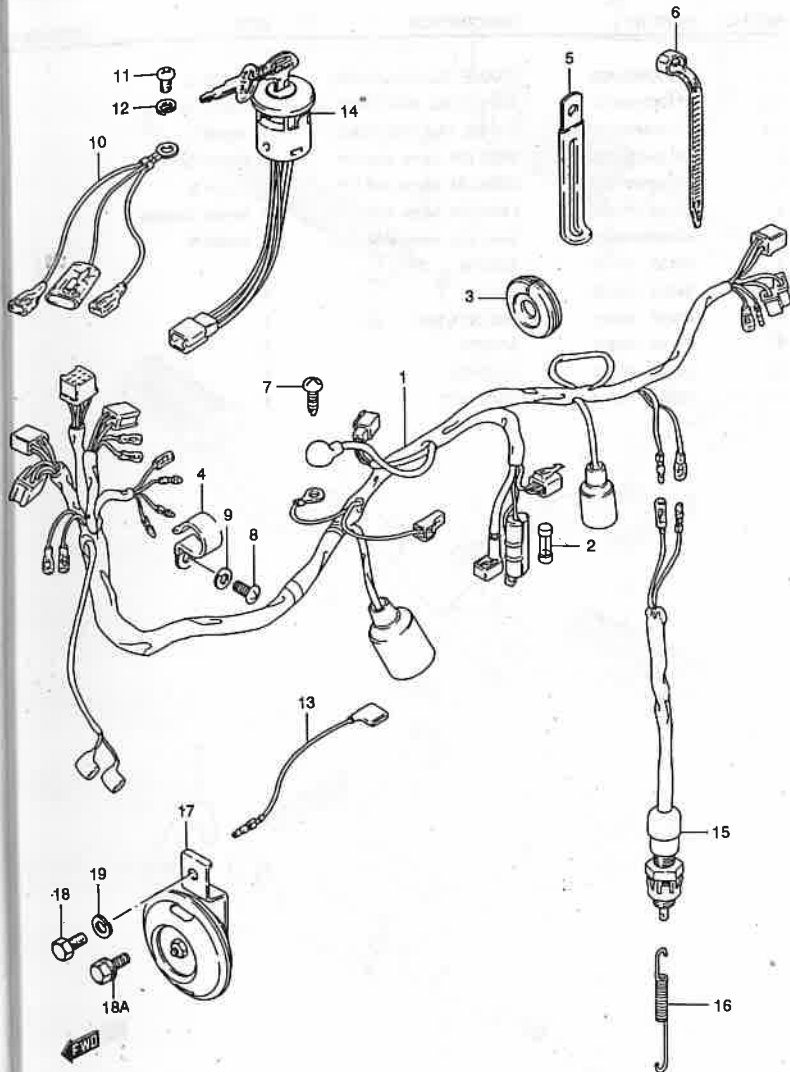
FIG.19 (D-12) REAR COMBINATION LAMP

REF.NO.	PART NO.	DESCRIPTION	Q'TY	REMARKS
1-1	35710M35411 - 999	LAMP ASSY, rear combination	1	model M G/J/K/M
1-2	35710M35420	LAMP ASSY, rear combination	1	model N
2-1	35712M35401	. LENS, tail & stop	1	model G/J/K
2-2	35712M35420	.LENS, tail & stop	1	model N
3-1	35652M35401	. LENS, turn signal, RH	1	model G/J/K
3-2	35652M35420	.LENS, turn signal, RH	1	model N
4-1	35672M35401	. LENS, turn signal, LH	1	model G/J/K
4-2	35672M35420	.LENS, turn signal, LH	1	model N
5	35713 - 35401	.GASKET	1	
6	03211 - 04256	.SCREW	2	
7	02112 - 04126	.SCREW	2	
8	35627 - 43010	.GASKET	4	
9	09471 - 12008	.BULB (12V, 18/3W)	1	model N
10	09471 - 12003	.BULB (12V, 10W)	2	model N
11	09471 - 06008	BULB (6V, 10/3W)	1	model G/J/K
12	09471 - 06021	BULB (6V, 8W)	2	model G/J/K
13	09160 - 06057	WASHER (6.5x18x1.6)	3	
14	09160 - 06060	WASHER (6.5x20x1.2)	3	
15	09180 - 06084	SPACER	3	
16	09320 - 09003	CUSHION	3	
17	09320 - 09004	CUSHION	3	
18	08316 - 26066	NUT	3	
19	35927M35400	BRACKET, licence plate	1	
20	01517 - 06125	BOLT	2	
20A	01514 - 66125	BOLT	2	model N
21	08316 - 26066	NUT	2	
21A	08315 - 01069	NUT	2	model N
22	09321 - 06023	CUSHION	1	

FIG.20

FIG.20 (D-13) WIRING HARNESS

REMARKS



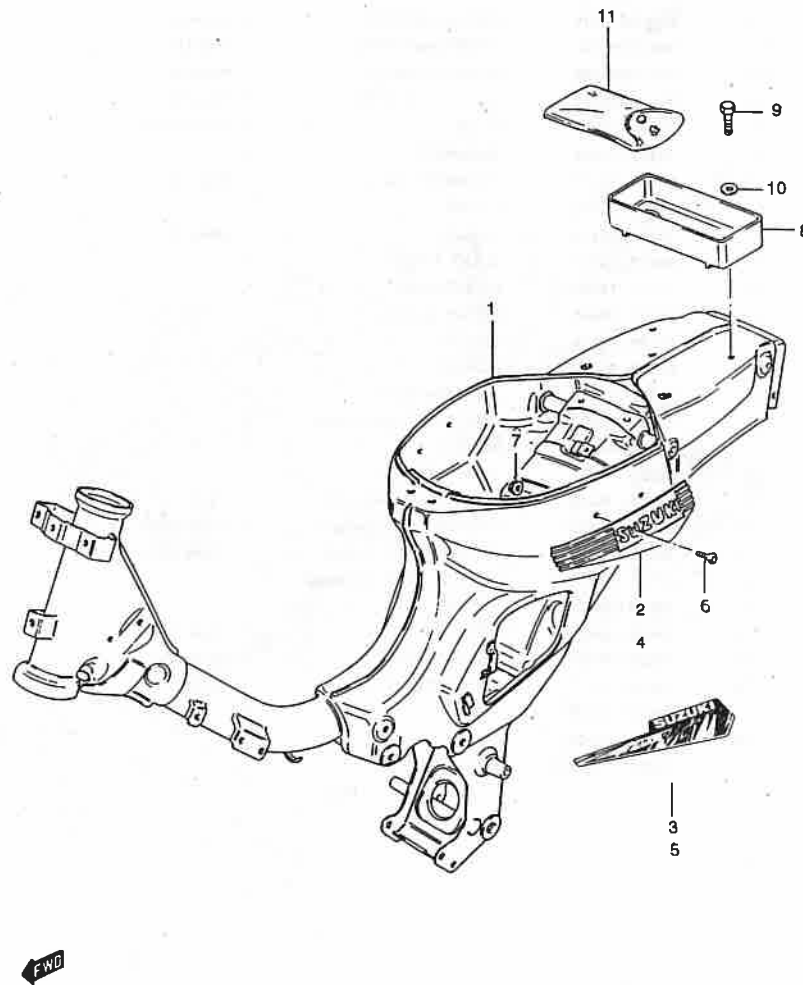
REF.NO.	PART NO.	DESCRIPTION	Q'TY	REMARKS
1-1	36610M35430	WIRING HARNESS	1	model G
1-2	36610M35431	WIRING HARNESS	1	model J
1-3	36610M35432	WIRING HARNESS	1	model K
1-4	36610M35570	WIRING HARNESS	1	model M
1-5	36610M35580	WIRING HARNESS	1	model N
2	09481 - 10001	.FUSE	1	model G/J/K
3-1	09308 - 10012	GROMMET	2	
3-2	09308 - 10017	GROMMET, rear fender	1	model N
4	09403 - 20301	CLAMP	1	
5	09404 - 06415	CLAMP	1	model G
6-1	09407 - 14403	CLAMP (L:125)	2	
6-2	09407 - 18402	CLAMP (L:165)	1	
6-3	09407 - 25401	CLAMP (L:235)	2	
7	09129 - 06004	SCREW	1	
8	02112 - 05125	SCREW	1	
9	08321 - 21055	LOCK WASHER	1	
10	36853 - 35400	LEAD WIRE, handle earth	1	
11	02112 - 05087	SCREW	1	
12	08321 - 21057	LOCK WASHER	1	
13	36851 - 35410	WIRE, handle switch, LH	1	
14-1	37110 - 02471	SWITCH ASSY, ignition	1	model G/J/K
14-2	37110 - 35470	SWITCH ASSY, ignition	1	model M/N
15	37740 - 48071	SWITCH ASSY, stop lamp	1	
16	09443 - 06032	SPRING	1	
17-1	38500 - 35400	HORN ASSY	1	model G/J/K
17-2	38500 - 35401	HORN ASSY	1	model M
17-3	38500 - 35411	HORN ASSY	1	model N
18	01107 - 06126	BOLT	1	
18A	01134 - 06126	BOLT	1	
19	08321 - 21066	LOCK WASHER	1	

4

FIG.21

FIG.21 (E-2) FRAME

4



REF.NO.	PART NO.	DESCRIPTION	Q'TY	REMARKS
1-1	41100M35400	FRAME (ALL COLOURS)	1	model G
1-2	41100M09C00	FRAME (ALL COLOURS)	1	model J/K/M
1-3	41100M35470	FRAME (ALL COLOURS)	1	model N
2	68183 - 35400	EMBLEM, frame side RH	1	model G/J/K/M
3	68183M35540	EMBLEM, frame side RH	1	model N
4	68184 - 35400	EMBLEM, frame side LH	1	model G/J/K/M
5	68184M35540	EMBLEM, frame side LH	1	model N
6	02132 - 03105	SCREW	4	
7	08316 - 26038	NUT	4	
8	47431 - 35400	HOLDER, tool	1	
9	02142 - 06207	SCREW	2	
10	09169 - 06028	WASHER	2	
11	09800 - 00283	TOOL SET	1	

FIG.22

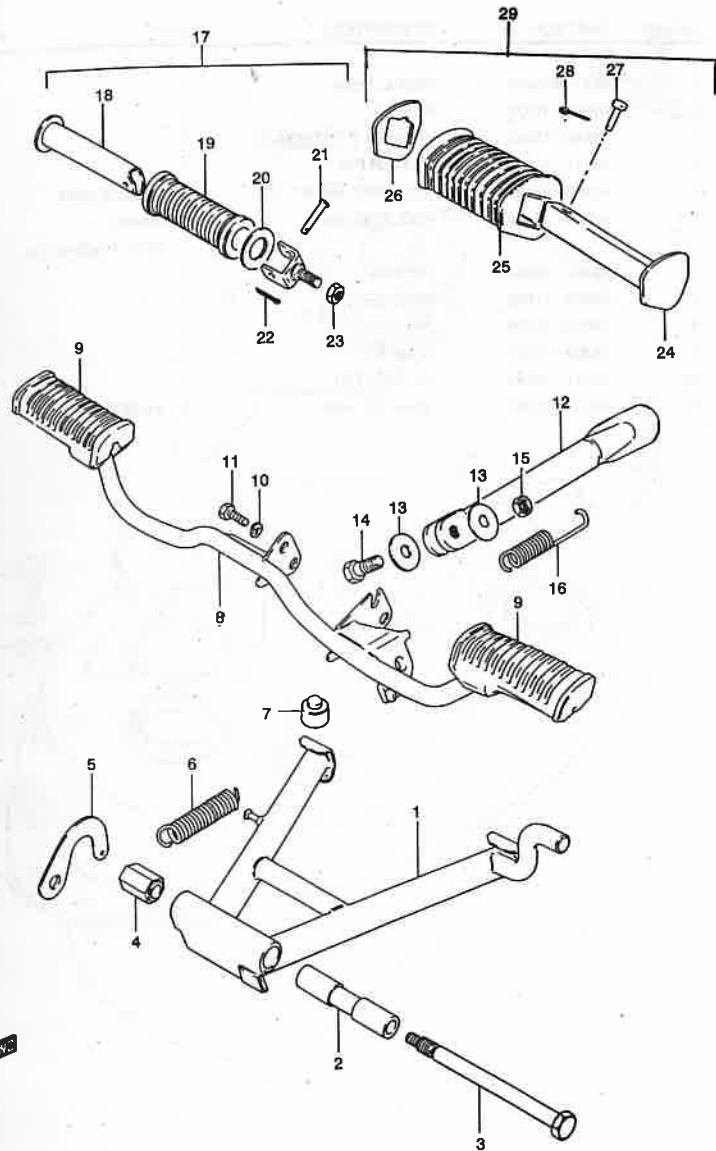


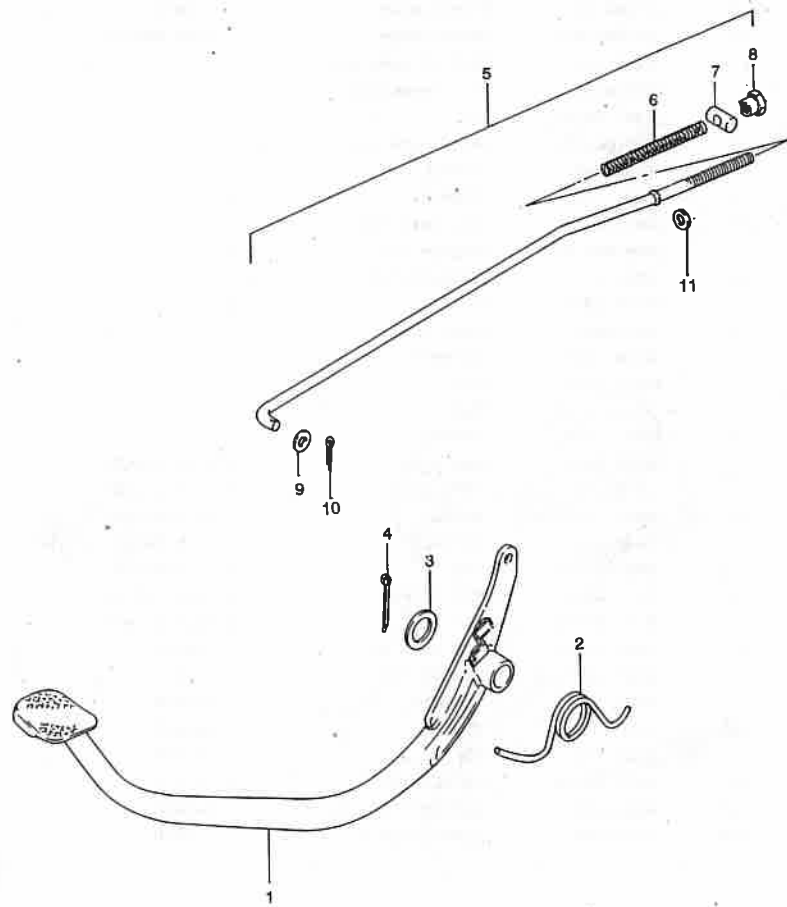
FIG.22 (E-3) STAND - FOOTREST

REF.NO.	PART NO.	DESCRIPTION	QTY	REMARKS
1-1	42100M190A1	STAND, center	1	model G
1-2	42100M35400	STAND, center	1	model J/K/M/N
2	42211 - 03001	SPACER, center stand	1	
3	42221M03001	BOLT, center stand	1	
4	42231 - 09000	NUT	1	
5	42251M03003	HOOK, center stand	1	
6	09443 - 16007	SPRING	1	
7	09321 - 10001	CUSHION	1	
8	43510M35400	BAR, front footrest	1	
9	43551M39110	RUBBER, front footrest	2	
10	08321 - 21088	LOCK WASHER	2	
11	01107 - 08167	BOLT	2	
12	42310M35410	STAND, prop	1	
13	09160 - 10047	WASHER	2	
14	09100 - 10007	BOLT	1	
15	08310 - 22107	NUT	1	
16	09443 - 14022	SPRING	1	
17	43600 - 03001	BAR, pillion	2	model G/J/K/M
18	43610 - 03001	.BAR, pillion	2	model G/J/K/M
19	43612 - 03001	.RUBBER	2	model G/J/K/M
20	09160 - 19006	.WASHER	2	model G/J/K/M
21	09200 - 06010	.PIN	2	model G/J/K/M
22	04111 - 20208	.COTTER PIN	2	model G/J/K/M
23	08310 - 22107	.NUT	2	model G/J/K/M
24-1	43610 - 39310	BAR, pillion RH	1	model N
24-2	43620 - 39310	BAR, pillion LH	1	model N
25	43612 - 39310	RUBBER	2	model N
26	43631 - 39310	WASHER	2	model N
27	09200 - 06010	PIN	2	model N
28	04111 - 20208	COTTER PIN	2	model N
29-1	43600M39310	BAR ASSY, pillion RH	1	model N
29-2	43700M39310	BAR ASSY, pillion LH	1	model N

4

REMARKS

FIG.23



4

FWD

RC100N P8

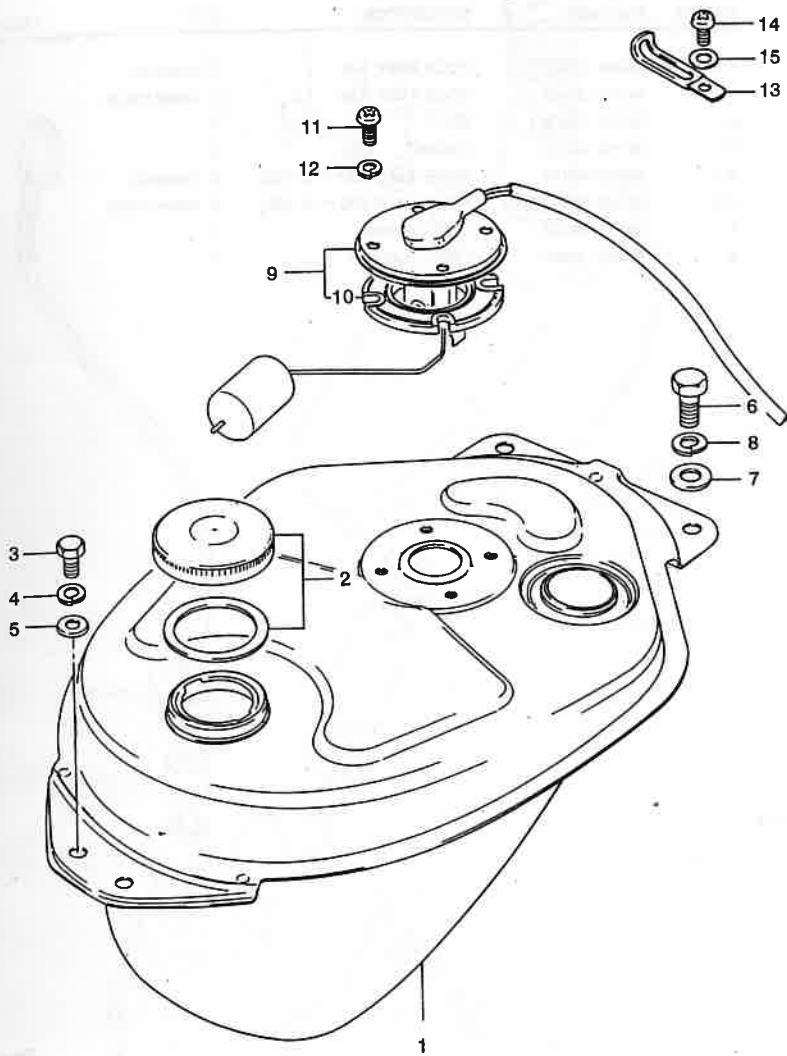
FIG.23 (E-4) REAR BRAKE

REF.NO.	PART NO.	DESCRIPTION	Q'TY.	REMARKS
1	43110M35410	PEDAL, brake	1	
2	09448 - 31016	SPRING	1	
3	09160 - 15002	WASHER (15.5X26X2.3)	1	
4	04111 - 30308	COTTER PIN	1	
5-1	43300 - 35400	ROD ASSY, brake	1	model G/J/K/M
5-2	43300 - 35420	ROD ASSY, brake	1	model N ← 43300-31C00
6	09440 - 09004	.SPRING	1	
7	09209 - 11002	.PIN	1	
8	09150 - 06009	.NUT	1	
9	08322 - 21057	.WASHER	1	
10	04111 - 20208	.COTTER PIN	1	
11	08322 - 21067	.WASHER, rear	1	model N

REMARKS

FIG.24

FIG.24 (E-5) FUEL TANK



REF.NO.	PART NO.	DESCRIPTION	Q'TY	REMARKS
1	44110M35400	TANK, fuel	1	
2-1	44210 - 35011	CAP, fuel tank	1	model G
2-2	44210 - 35012	CAP, fuel tank	1	model J
2-3	44210 - 35013	CAP, fuel tank	1	model K/M
2-4	44210 - 35014	CAP, fuel tank	1	model N
3	01107 - 06257	BOLT, front	2	
4	08321 - 21067	LOCK WASHER	2	
5	08322 - 21067	WASHER	2	
6	01107 - 08207	BOLT	2	
7	08322 - 11088	WASHER	2	
8	08321 - 21088	LOCK WASHER	2	
9	34810 - 35400	GUAGE ASSY, fuel level	1	
10	34825 - 02100	GASKET	1	
11	02112 - 05126	SCREW	4	
12	08321 - 21056	LOCK WASHER	4	
13	09404 - 06416	CLAMP	1	
14	02112 - 06108	SCREW	1	
15	08321 - 21067	WASHER	1	

4



RC100N P8

FIG.25

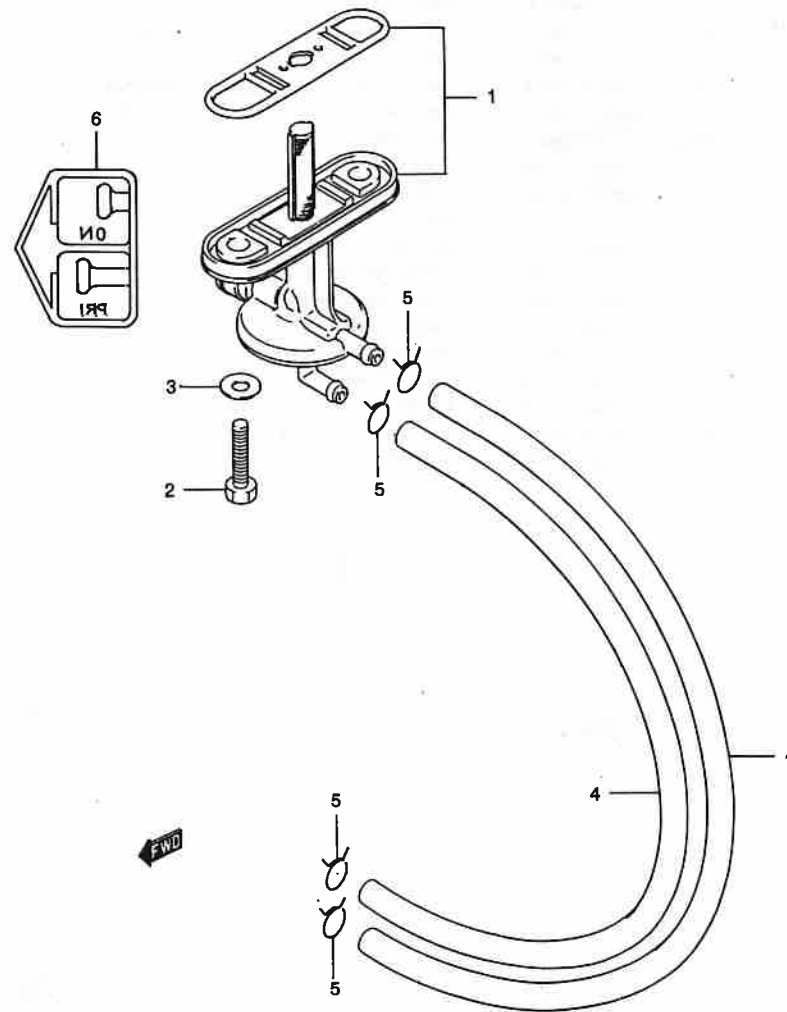


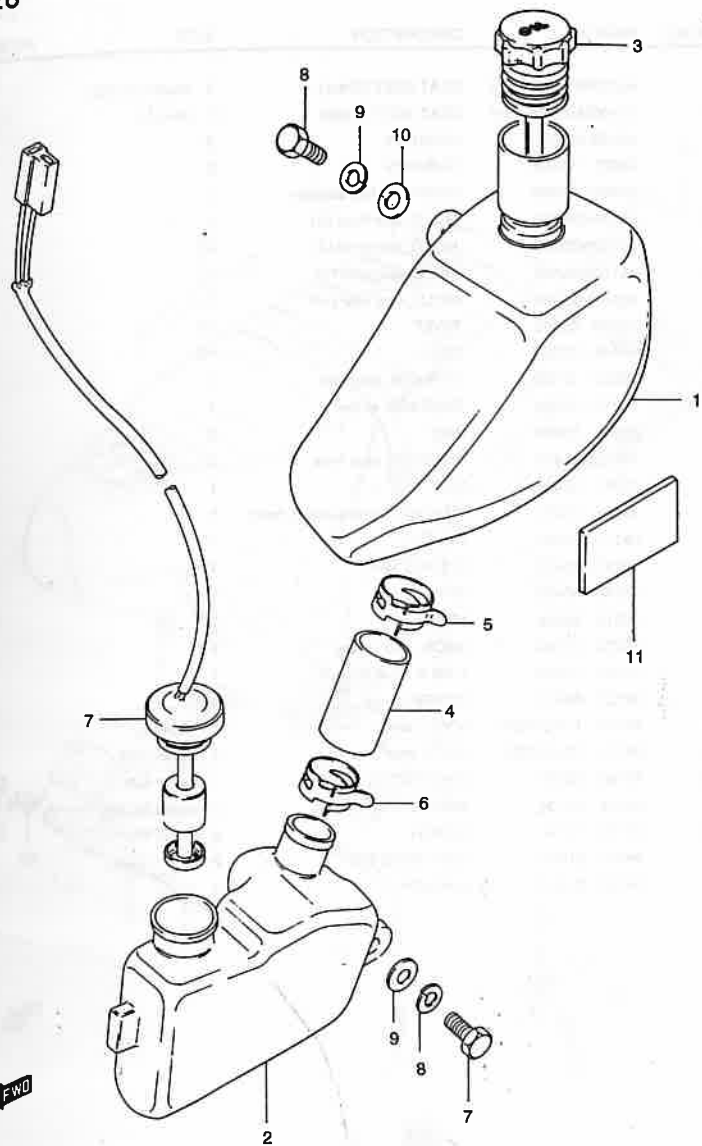
FIG.25 (E-6) FUEL COCK

REF.NO.	PART NO.	DESCRIPTION	Q'TY	REMARKS
1-1	44300 - 35400	COCK ASSY, fuel	1	model G/J
1-2	44300 - 35401	COCK ASSY, fuel	1	model K/M/N
2	09128 - 06006	BOLT	2	
3	09168 - 06026	GASKET	2	
4-1	09343 - 05165	HOSE, fuel (L:890 → 580)	2	model G/J
4-2	09352 - 50823-600	HOSE, fuel (L:600 → 580)	2	model K/M/N
5	09401 - 08402	CLIP, fuel hose	4	
6	68622 - 35400	LABEL, fuel cock	1	

FIG.26

FIG.26 (E-7) OIL TANK

REMARKS



REF.NO.	PART NO.	DESCRIPTION	Q'TY	REMARKS
1	44611M35400	TANK, oil upper	1	
2	44612M35401	TANK, oil lower	1	
3	44650 - 02300	CAP, oil tank	1	
4	09343M20001	HOSE, oil joint	1	
5	09401 - 22401	CLIP, upper	1	
6	09402 - 25502	CLIP, lower	1	
7-1	37880 - 35400	SWITCH ASSY, oil level	1	model G/J
7-2	37880 - 35410	SWITCH ASSY, oil level	1	model K/M/N
8	09128 - 08005	SCREW	3	
9	08321 - 21067	LOCK WASHER	3	
10	09160 - 06031	WASHER	3	
11	33651 - 37000	PROTECTOR, oil tank	1	

4

FWD

RC100N P8

FIG.27

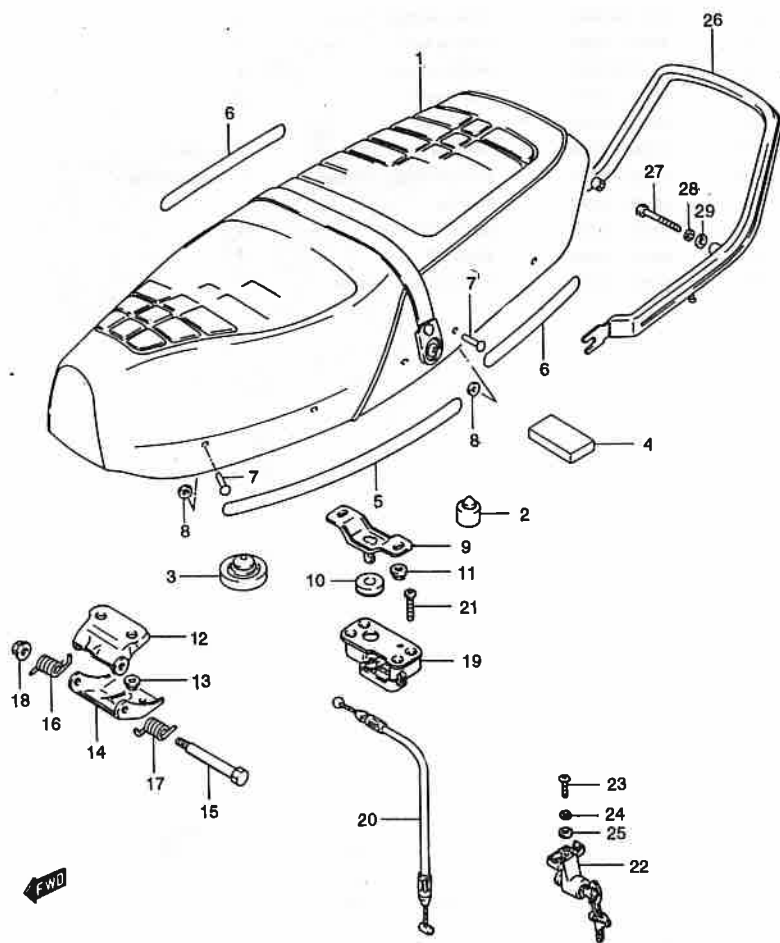


FIG.27 (E-8) SEAT

REF.NO.	PART NO.	DESCRIPTION	Q'TY	REMARKS
1-1	45100M35445 - 48H	SEAT ASSY (Black)	1	model G/U/K/M
1-2	45100M35500 - 48H	SEAT ASSY (Black)	1	model N
2	45149-35400	.CUSHION	2	
3	09321 - 14005	.CUSHION	2	
4	94982 - 29400	.CUSHION, tool stopper	1	
5-1	45191M35400	.MOLD, seat front RH	1	
5-2	45192M35400	.MOLD, seat front LH	1	
6-1	45193M35400	.MOLD, seat rear RH	1	
6-2	45194M35400	.MOLD, seat rear LH	1	
7	09220 - 03002	.RIVET	10	
8	09148 - 03004	.NUT	10	
9	45210 - 35400	.STRIKER, seat lock	1	
10	45213 - 31300	.CUSHION, striker	1	
11	08316 - 28066	.NUT	2	
12	45210M02400	BRACKET, seat front	1	
13	08361 - 35066	NUT	1	
14	45285 - 35401	BRACKET, seat support, front	1	
15	09111 - 06001	BOLT	1	
16	45247 - 35400	SPRING, RH	1	
17	45248 - 35400	SPRING, LH	1	
18	08316 - 28066	NUT	2	
19	45220 - 35400	LOCK, seat striker	1	
20	45280 - 35400	CABLE, seat lock	1	
21	02122 - 06306	SCREW	4	
22-1	95700 - 13600-KEY	LOCK, seat	1	model G
22-2	95700 - 35410-KEY	LOCK, seat	1	model J/K/L
22-3	95700 - 35830	LOCK SET, seat	1	model M/N
23-1	02112 - 05106	SCREW	2	model G/U/K/L
23-2	02112 - 75106	SCREW	2	model N
24	08321 - 21056	LOCK WASHER	2	
25	08322 - 21056	WASHER	2	

FIG.27

REMARKS

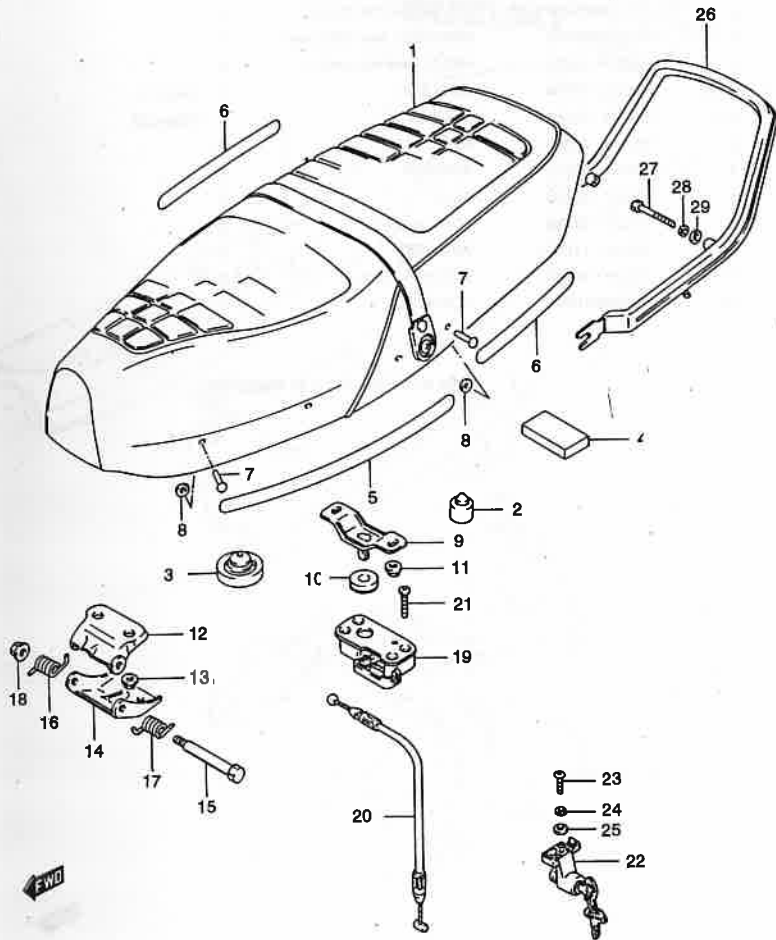


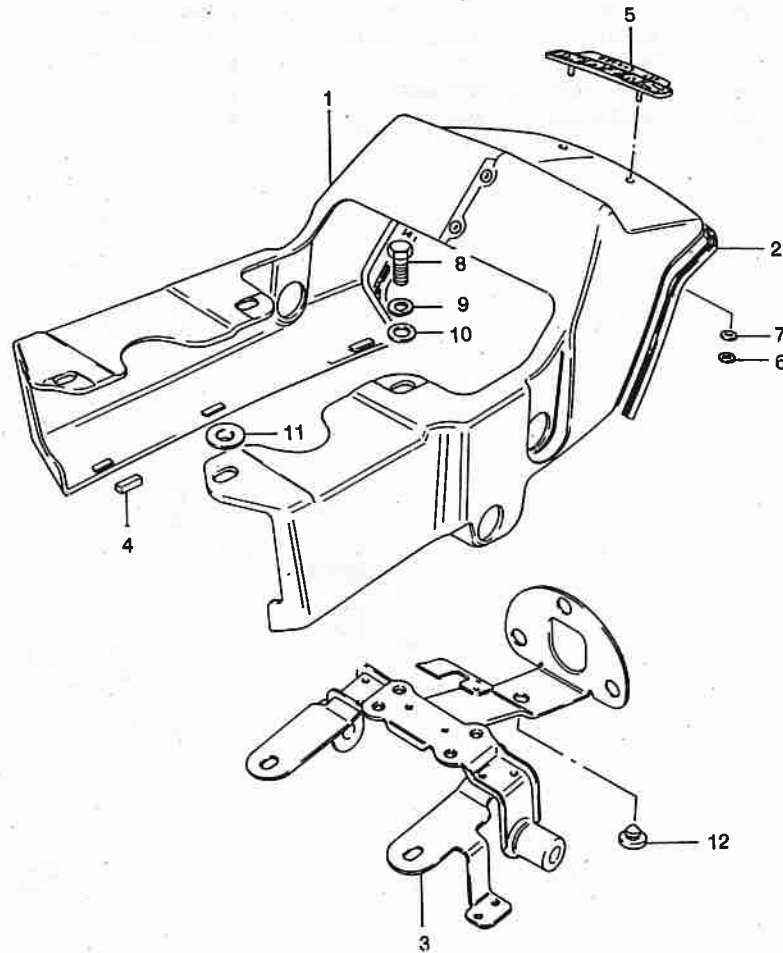
FIG.27 (E-9) SEAT

REF.NO.	PART NO.	DESCRIPTION	QTY	REMARKS
26-1	46210M35410	HANDLE, pillion rider	1	model G
26-2	46210M35411	HANDLE, pillion rider	1	model J
26-3	46210M35460	HANDLE, pillion rider	1	model M/N
27	01107 - 08506	BOLT	2	
28	08321 - 21086	LOCK WASHER	2	
29	08322 - 21086	WASHER	2	

4

FIG.28

FIG.28 (E-10) SEAT TAIL COVER (model G/J/K)



REF.NO.	PART NO.	DESCRIPTION	Q'TY	REMARKS
1	45510M35401	TAIL COVER, seat (ALL COLOURS)	1	
2	45516M35400	BRIND, seat tail cover	1	
3	45530M35400	BRACKET, seat tail cover	1	
4	45513 - 35400	MOLD, seat tail cover	6	
5-1	68234 - 35400	EMBLEM	1	model G
5-2	68234 - 35401	EMBLEM	1	model J/K
6	09148 - 03003	NUT	2	
7	09161 - 02001	WASHER	2	
8	01107 - 06166	BOLT	2	
9	08321 - 21066	LOCK WASHER	2	
10	08322 - 11066	WASHER	2	
11	09169 - 08036	WASHER, front	2	
12	09329M10001	CUSHION	1	

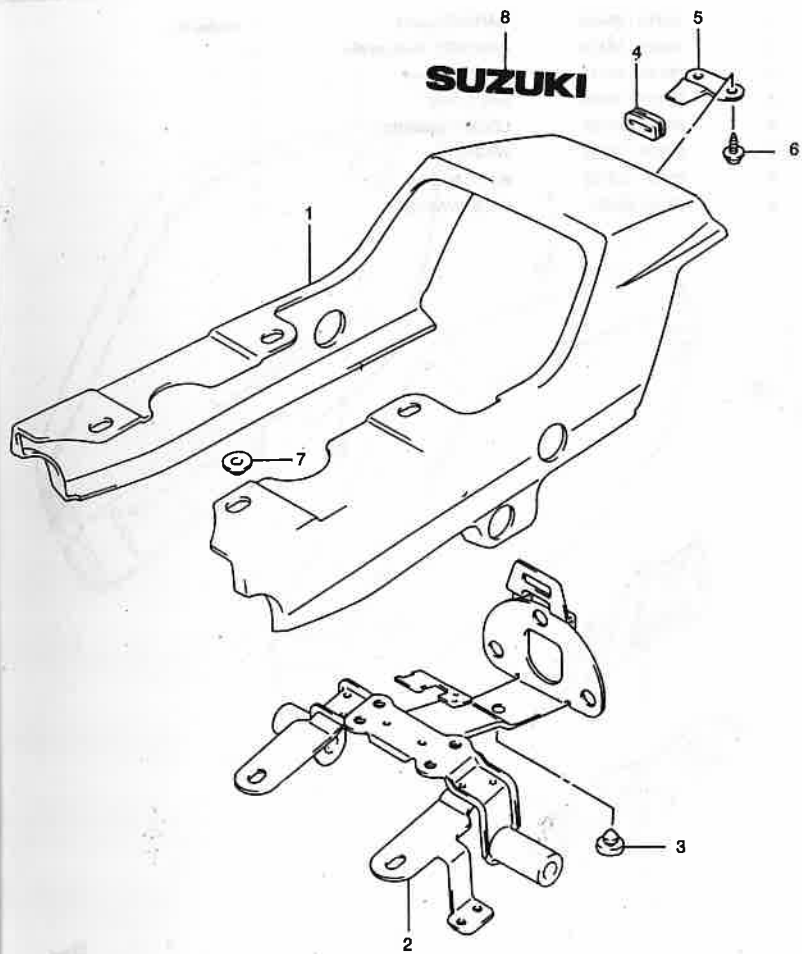
Refer to FIG.28A(E-11) for model M/N

FIG.28A

REMARKS

FIG.28A (E-11) SEAT TAIL COVER (model M/N)

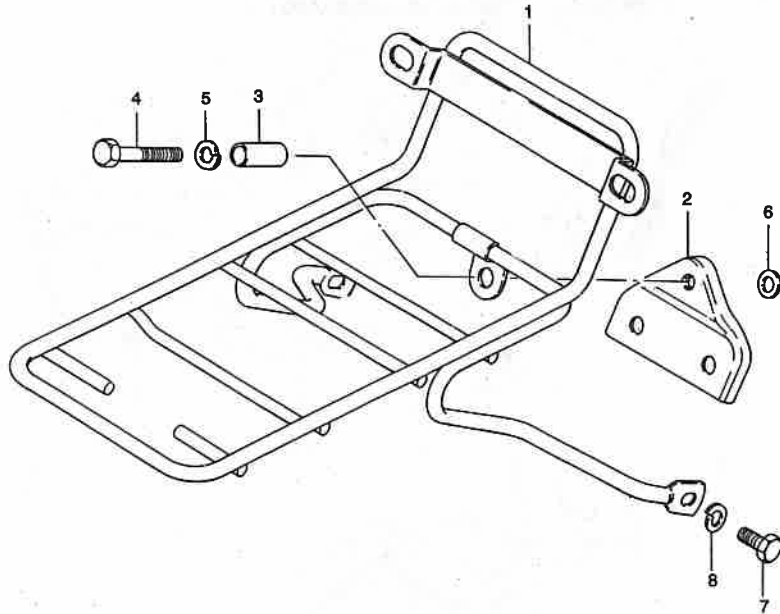
REF.NO.	PART NO.	DESCRIPTION	Q'TY	REMARKS
1	45511M35430	COVER, seat tail (ALL COLOUR)	1	
2	45530M35430	BRACKET, tail cover	1	
3	09329M10001	CUSHION, bracket	1	
4	45528M35410	CUSHION, tail cover	1	
5	45524M35410	PLATE, tail cover	1	
6	03551 - 04128	SCREW	2	
7	09169 - 08036	WASHER	2	
8	68234M35430	REFLECTIVE 'SUZUKI' LOGO	1	



4

FWB

FIG.29



4

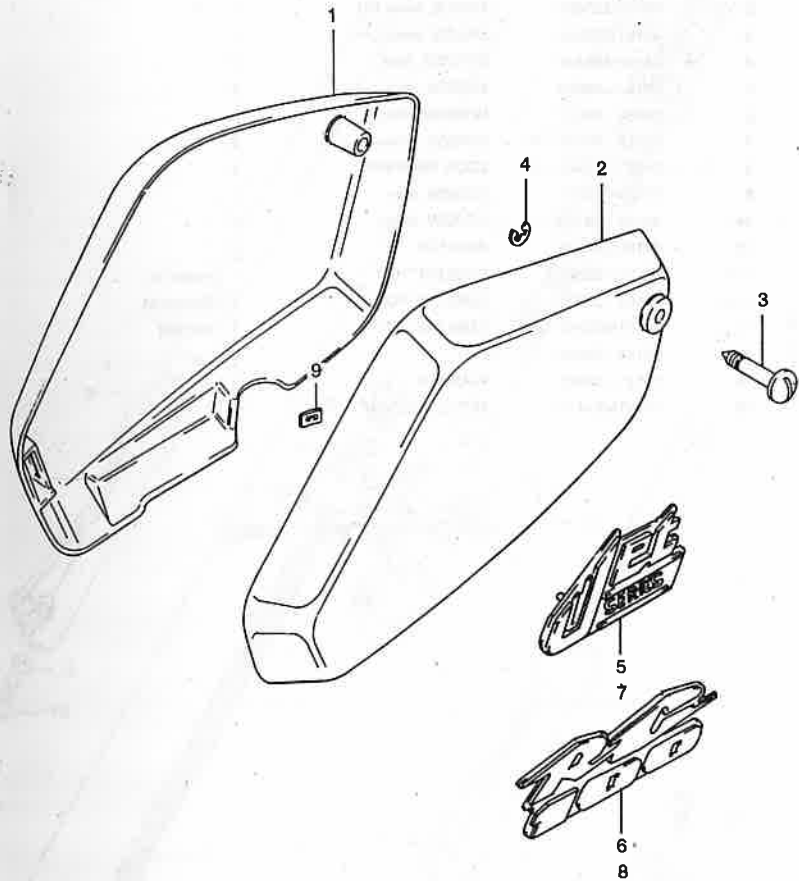
FIG.28 (E-12) FRONT CARRIER

REF.NO.	PART NO.	DESCRIPTION	Q'TY.	REMARKS.
1	46410 - 35400	CARRIER, front	1	model G/J
2	46440 - 35400	BRACKET, front carrier	1	
3	09180 - 06115	SPACER, front	1	
4	01107 - 06408	BOLT, front	1	
5	08321 - 21067	LOCK WASHER	1	
6	09160 - 06027	WASHER	1	
7	01107 - 06127	BOLT, bracket	2	
8	08321-21067	LOCK WASHER	2	

FIG.30

REMARKS

FIG.30 (E-13) FRAME COVER



REF. NO.	PART NO.	DESCRIPTION	Q'TY	REMARKS
1-1	47111M35400	COVER, frame RH (ALL COLOURS)	1	model G/J/K/M
1-2	47111M35430	COVER, frame RH (ALL COLOURS)	1	model N
2-1	47211M35400	COVER, frame LH (ALL COLOURS)	1	model G/J/K/M
2-2	47211M35430	COVER, frame LH (ALL COLOURS)	1	model N
3	47232 - 35401	KNOB, frame cover	2	
4	08332 - 11056	E RING	2	
5-1	68131 - 35430	EMBLEM, RH	1	model G/J/K
5-2	68131M35431	EMBLEM, RH	1	model M
6	68131M35520	EMBLEM, RH	1	model N
7-1	68141 - 35430	EMBLEM, LH	1	model G/J/K
7-2	68141 - 35431	EMBLEM, LH	1	model M
8	68141M35520	EMBLEM, LH	1	model N
9	09148 - 03003	NUT	4	

4

FIG.31

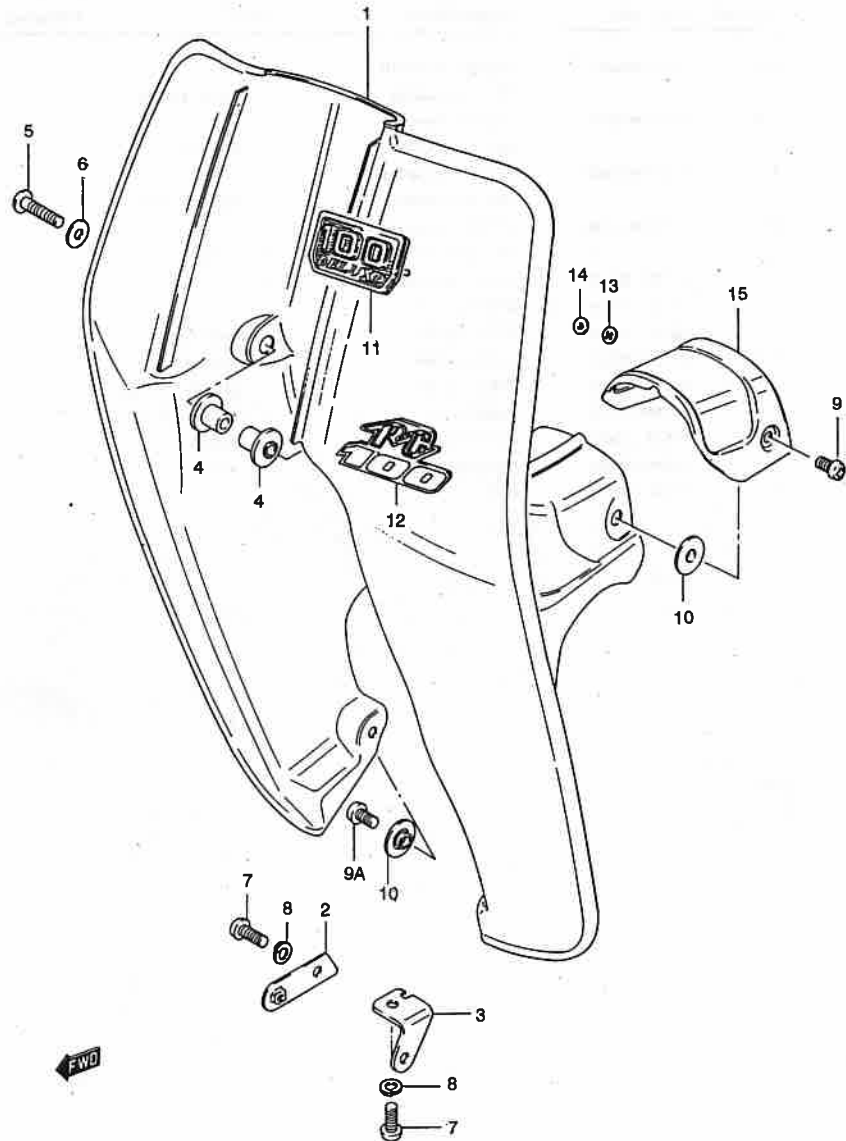
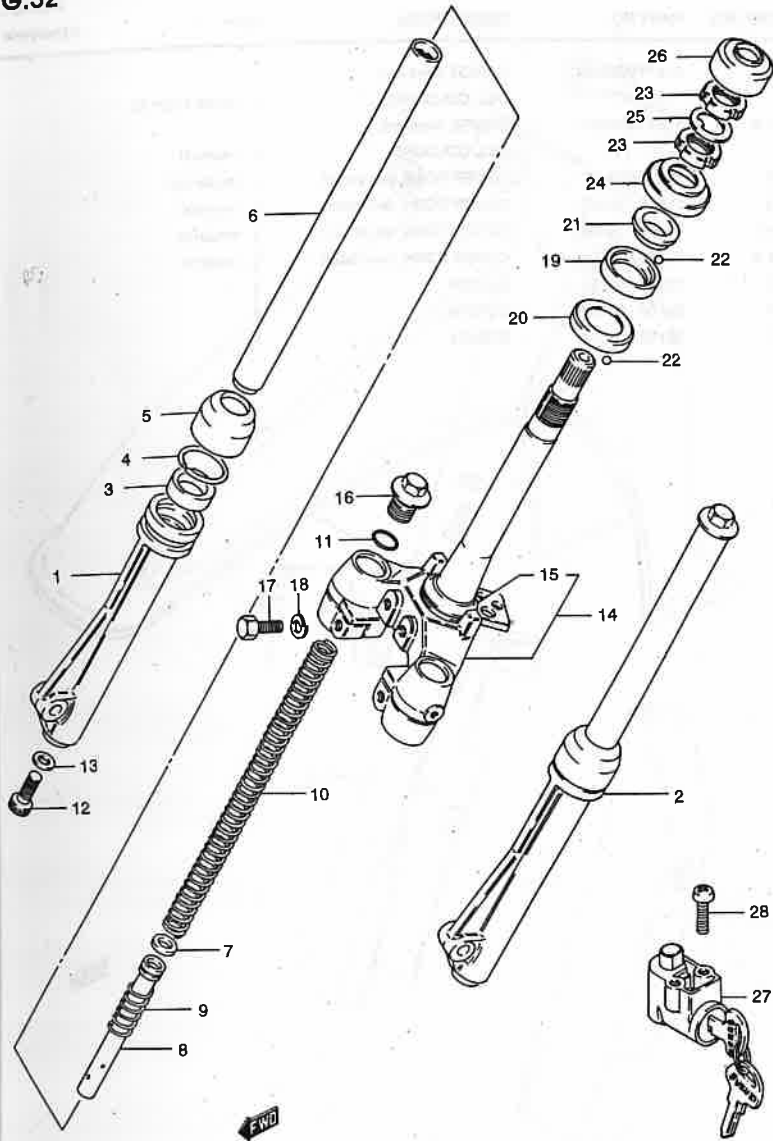


FIG.31 (E-14) LEG SHIELD

REF.NO.	PART NO.	DESCRIPTION	Q'TY	REMARKS
1	48111M35400-189	LEG SHIELD (white)	1	model G/J/K/M/N
2	48171M35400	BRACE, lower RH	1	
3	48181M35400	BRACE, lower LH	1	
4	48198M35400	SPACER, front	2	
5	09125 - 06076	SCREW, front	2	
6	09160 - 06027	WASHER, front	2	
7	02112 - 06167	SCREW, brace	2	
8	08321 - 21067	LOCK WASHER	2	
9	09125 - 06050	SCREW, rear	2	
9A	02142 - 06127	SCREW, lower	2	
10	09169 - 06016	WASHER	2	
11-1	68161 - 35500	EMBLEM, "100"	1	model G/J
11-2	68161 - 35530	EMBLEM, "100"	1	model K/M
12	68161M35540	EMBLEM, "100"	1	model N
13	09148 - 03003	NUT	2	
14	09161 - 02001	WASHER	2	
15	48241M35410	MOLD, leg shield	1	

FIG.32 (F-2) FRONT FORK

REF.NO.	PART NO.	DESCRIPTION	Q'TY	REMARKS
	51100-35401-126	FORK ASSY, front (Silver)	1	
1	51130-35400-126	.OUTER TUBE, RH (Silver)	1	
2	51140-35400-126	.OUTER TUBE, LH (Silver)	1	
3	51153-02501	.OIL SEAL	2	
4	51156-43010	.RING	2	
5	51173-43210	.DUST SEAL	2	
6	51111-35400	.INNER TUBE	2	
7	51196-39140	.RING, piston	2	
8	51146-35420	.CYLINDER	2	
9	51177-35400	.SPRING	2	
10	51171-35400	.SPRING	2	
11	51181-23330	.O RING	2	
12	51147-16510	.BOLT	2	
13	51148-41310	.GASKET	2	
14	51410-35402	.STEM, steering	1	
15	51622-35400	.RACE, steering outer, lower	1	
16-1	51351-03A00	.BOLT, cap	2	model G/J/K
16-2	51351-28B00	.BOLT, cap	2	model M/N
17	01107-08307	.BOLT	2	
18	08321-31087	.LOCK WASHER	2	
19	51611-20002	RACE, steering inner upper	1	
20	51612-35400	RACE, steering inner, lower	1	
21	51621-25000	RACE, steering outer, upper	1	
22	06111-06003	BALL	49	
23	51631-05000	NUT, steering stem	2	
24	51643-06001	DUST SEAL, steering, upper	1	
25	09166-24001	WASHER	1	
26	36618-02100	COVER, steering stem nut	1	model G/J/K
27-1	51910-25311	LOCK ASSY, steering	1	model G
27-2	51900-35820	LOCK SET, steering	1	model J/K/M/N
28	02112-35127	SCREW	2	



4

FIG.33

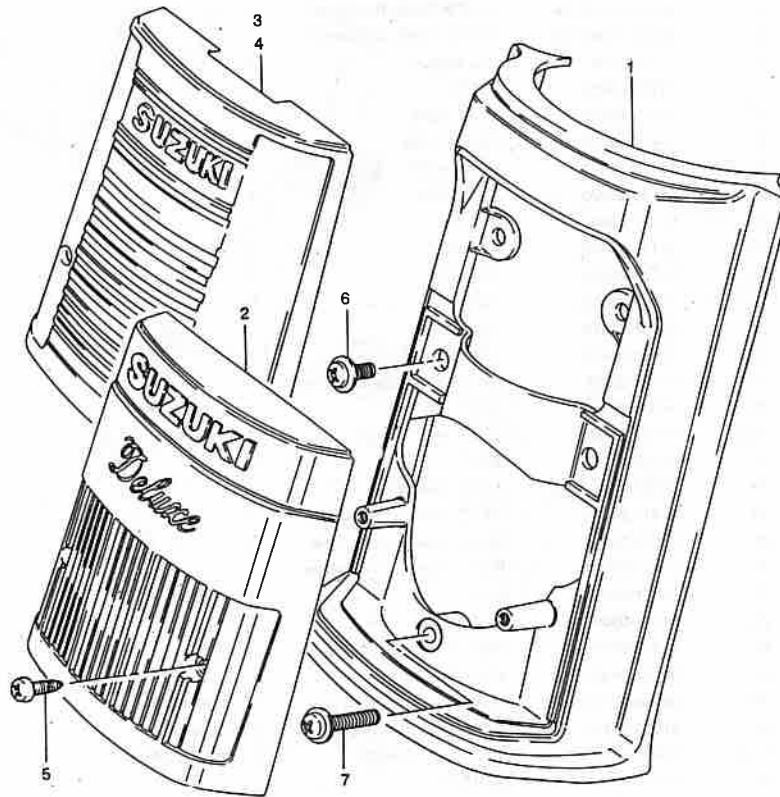


FIG.33 (F- 3) FRONT FORK COVER

REF.NO.	PART NO.	DESCRIPTION	Q'TY	REMARKS
1-1	51871M35400	COVER, front fork (ALL COLOURS)	1	model G/J/K/M
1-2	51871M35410	COVER, front fork (ALL COLOURS)	1	model N
2	51875 - 35400	COVER FORK, decoration	1	model G/J
3	51875 - 35410	COVER FORK, decoration	1	model K
4-1	51875 - 35420	COVER FORK, decoration	1	model M
4-2	51875 - 09C00	COVER FORK, decoration	1	model N
5	03211 - 04165	SCREW	2	
6	02152 - 06108	SCREW	2	
7	02152 - 06207	SCREW	1	

4

FWG

REMARKS

FIG.34

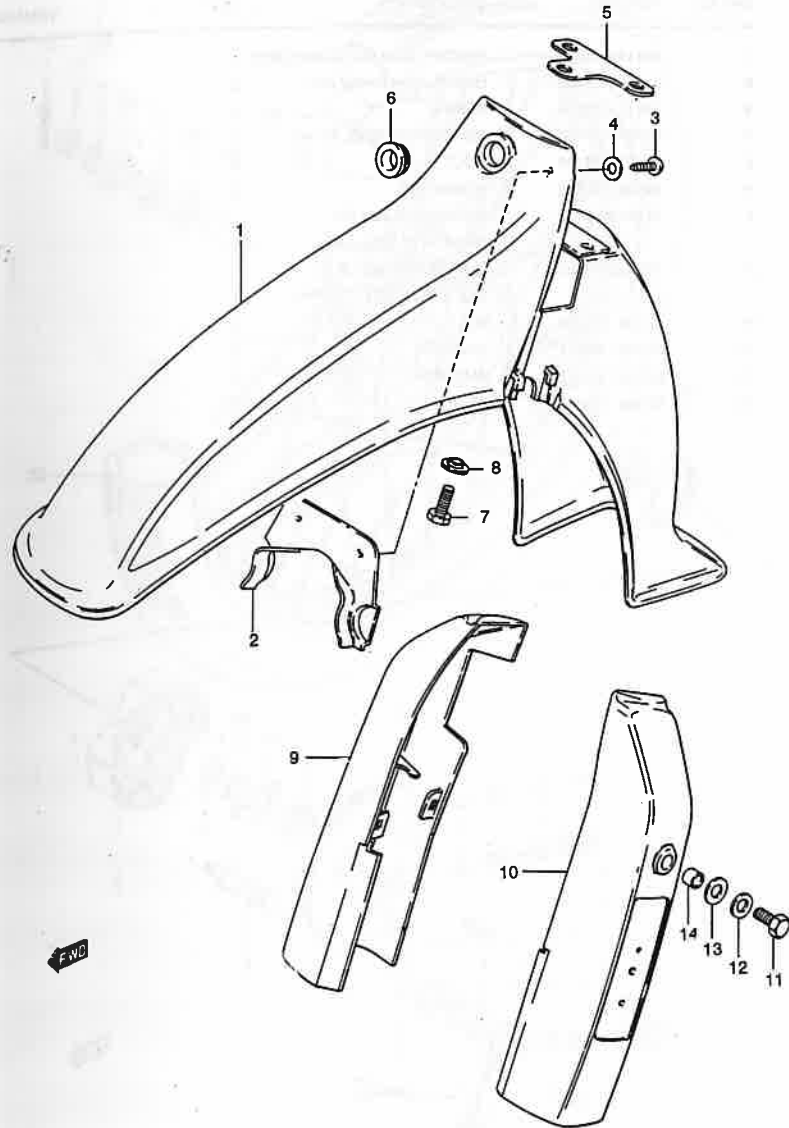


FIG.34 (F-4) FRONT FENDER (model G/J/K/M)

REF.NO.	PART NO.	DESCRIPTION	Q'TY	REMARKS
1	53111M35420	FENDER, front (ALL COLOURS)	1	
2	53134 - 35400	PLATE, front fender	1	
3-1	03211 - 04126	SCREW	2	model G/J/K
3-2	03211 - 14126	SCREW	2	model M
4	08322 - 21046	WASHER	2	model G/J/K
5	53124M35400	REINFORCEMENT	1	
6	09320 - 11010	CUSHION, front fender	1	
7	01107 - 06166	BOLT	3	
8	09169 - 06053	WASHER	3	
9	51881M35400	COVER, fork side RH (ALL COLOURS)	1	
10	51882M35400	COVER, fork side LH (ALL COLOURS)	1	
11	09100 - 06064	BOLT	2	
12	09160 - 06017	WASHER	2	
13	09160 - 06027	WASHER	2	
14	09180 - 06092	SPACER	2	

Refer to FIG.34A(F-5) for model N

4

FIG.34A

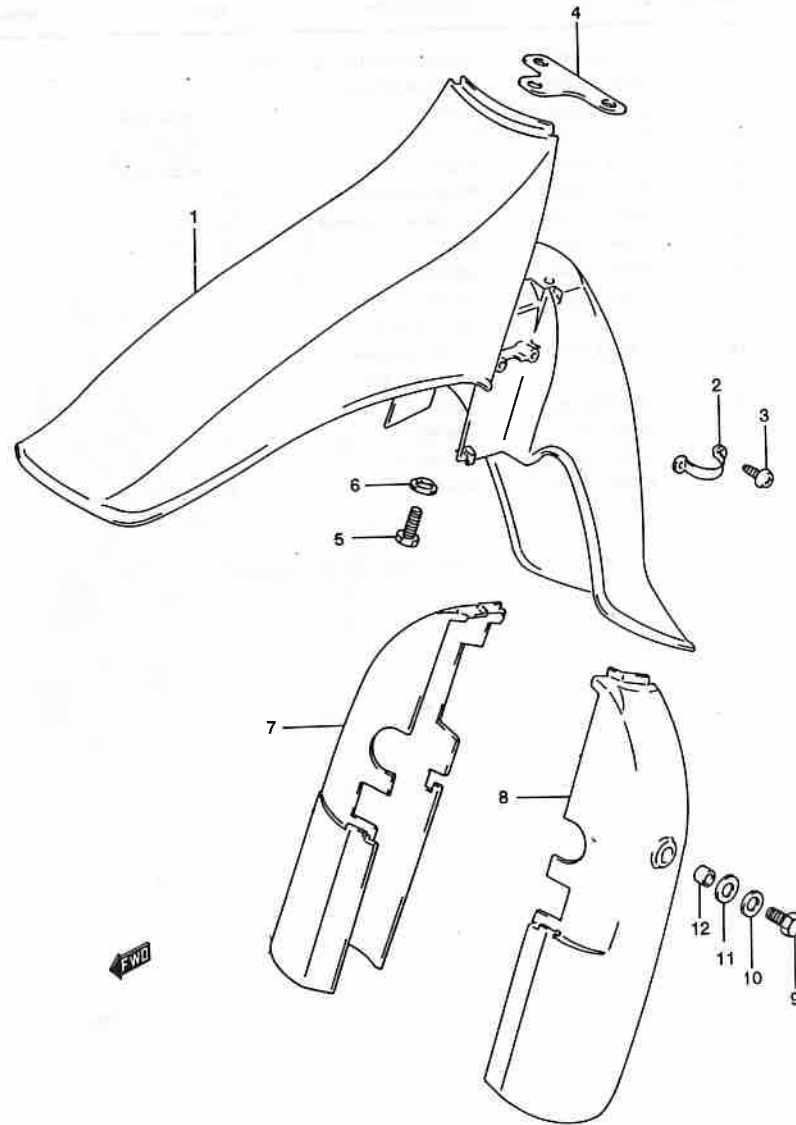


FIG.34A (F-5) FRONT FENDER (model N)

REF.NO.	PART NO.	DESCRIPTION	Q'TY	REMARKS
1	53111M35430	FENDER, front (ALL COLOURS)	1	
2	53121M35430	BRACE, front fender side	2	
3	03511 - 05166	SCREW	4	
4	53124 - 35400	REINFORCEMENT, fender	1	
5	01107 - 06166	BOLT	3	
6	09169 - 06053	WASHER	3	
7	51881M35430	COVER, fork side RH (ALL COLOURS)	1	
8	51882M35430	COVER, fork side LH (ALL COLOURS)	1	
9	09100 - 06064	BOLT	2	
10	09160 - 06017	WASHER	2	
11	09160 - 06027	WASHER	2	
12	09180 - 06092	SPACER	2	

REMARKS

FIG.35

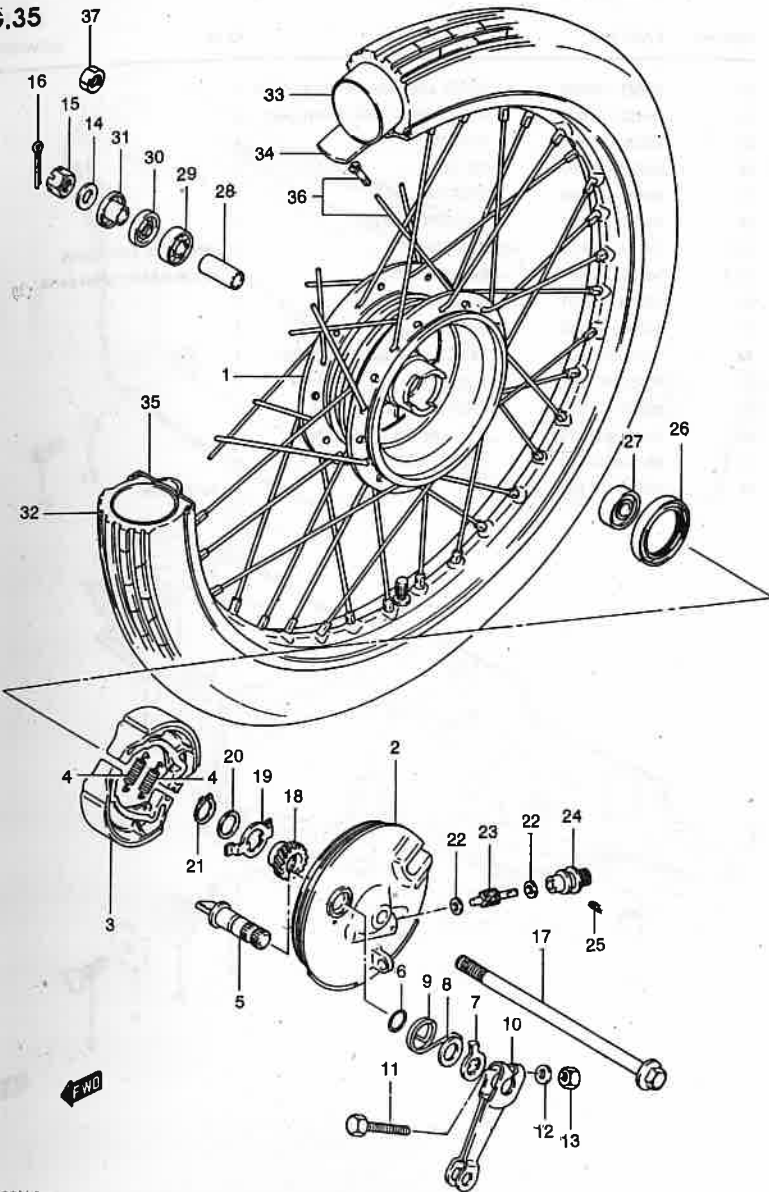


FIG.35 (F-6) FRONT WHEEL

REF.NO.	PART NO.	DESCRIPTION	Q'TY*	REMARKS
1	54110M35400	HUB, front wheel	1	
2	54210M35400	PANEL, front hub	1	
3	54410 - 01010	SHOE, brake	2	
4	09443 - 07001	SPRING	2	
5	54441 - 35400	SHAFT, brake cam	1	
6	09280 - 14003	O RING	1	
7	54492 - 35400	PLATE, brake lining	1	
8	09160 - 14003	WASHER	1	
9	09448 - 30009	SPRING	1	
10	54451 - 35400	LEVER, brake cam	1	
11	09100 - 06078	BOLT	1	
12	08322 - 21067	WASHER	1	
13	08310 - 11067	NUT	1	
14	08322 - 11107	WASHER, axle	1	model G/J/K
15	08314 - 31108	NUT	1	model G/J/K
16	04111 - 20208	COTTER PIN	1	model G/J/K
17	54711 - 35411	AXLE, front	1	
18	54611 - 03601	GEAR, speedometer driven NT:23	1	
19	54661 - 03000	DRIVER, speedometer gear	1	
20	09160 - 16005	WASHER, 16x22x1	1	
21	08331 - 31156	CIRCLIP	1	
22	09160 - 05001	WASHER, 5.1x9x0.4	2	

4

FIG.35

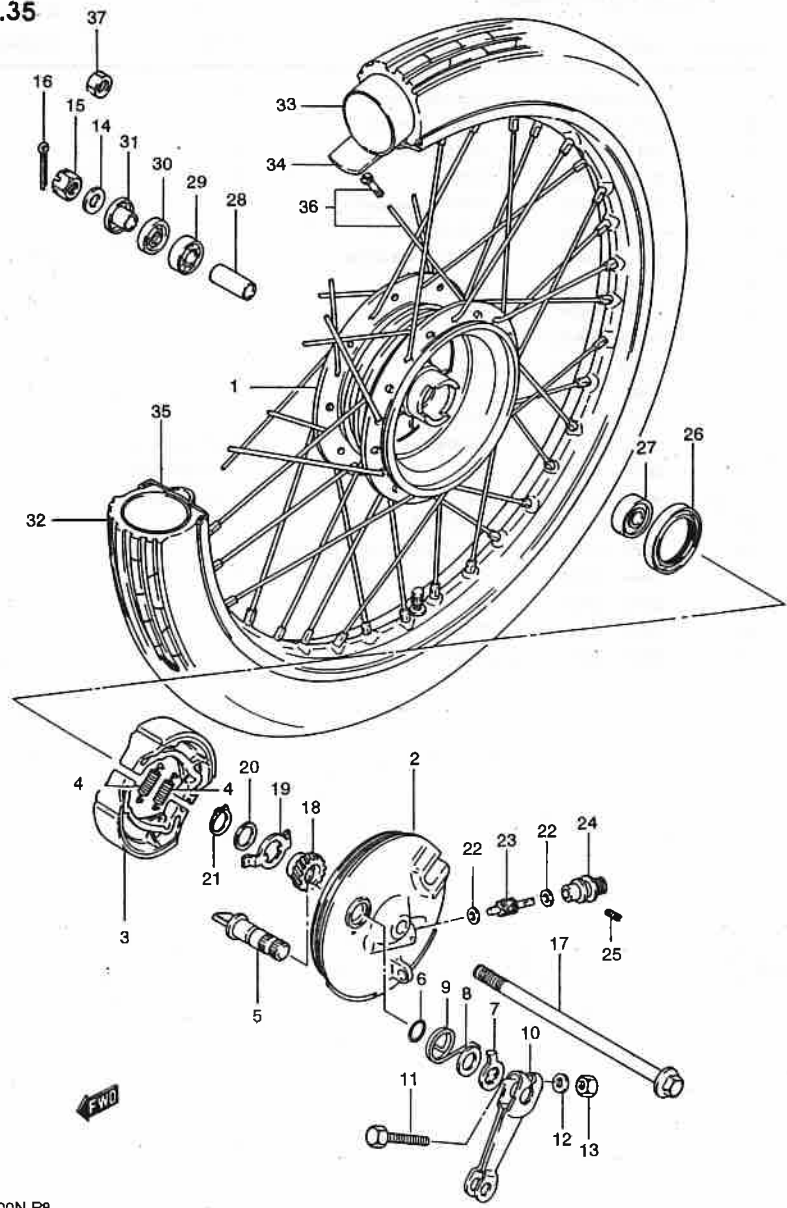


FIG.35 (F-7) FRONT WHEEL

REF.NO.	PART NO.	DESCRIPTION	Q'TY	REMARKS
23	54621 - 39202	GEAR, speedometer driven NT:9	1	
24	54632 - 01001	OUTER BUSHING, driven gear	1	
25	09134 - 03101	SCREW	1	
26	09285 - 43001	OIL SEAL	1	
27	08143 - 63007	BEARING, LH	1	
28	09180 - 10091	SPACER, bearing	1	
29-1	08113 - 62007	BEARING, RH	1	model G/J, Local parts
29-2	08123 - 62007	BEARING, RH	1	model K/M/N, Local parts
30	09284 - 15001	OIL SEAL	1	
31	54740 - 26100	SPACER, axle RH	1	
32	55100M09401	TIRE, front (2.25-17-4PR) IRC	1	
33	55200M01011	TUBE, inner	1	
34	55261M01010	PROTECTOR, inner tube	1	
35	55311M01021	RIM, wheel (1.20x17)	1	
36	55320M01012	SPOKE ASSY, front	1	
37	08319 - 31107	NUT	1	model M/N

4

REMARKS

FIG.36

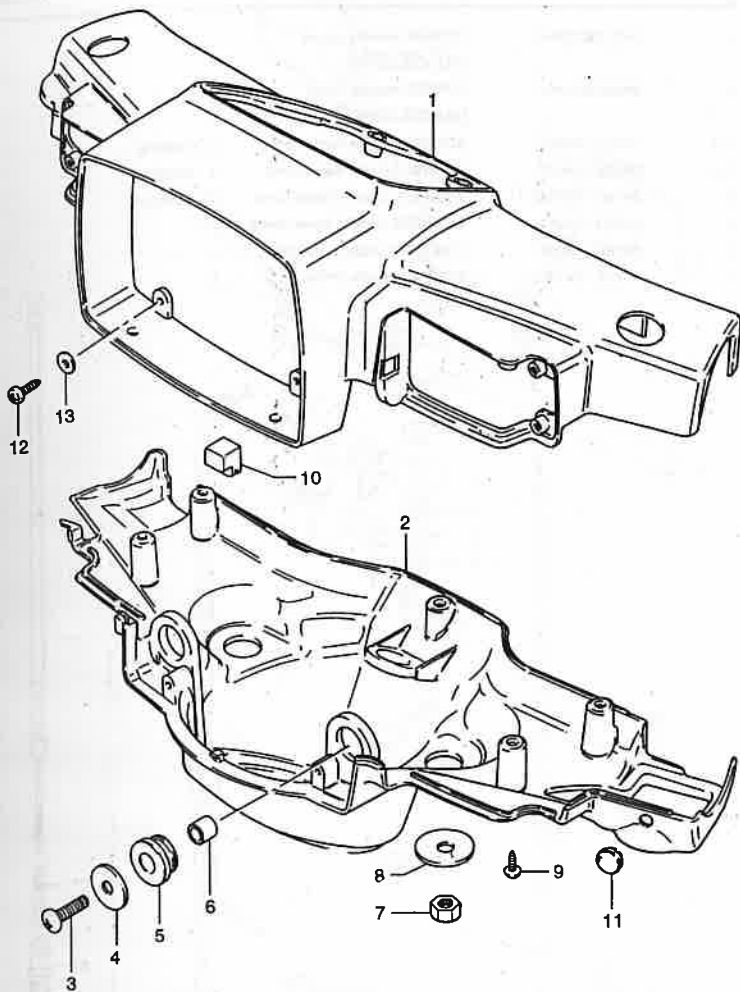


FIG.36 (F-8) HANDLE COVER (model G/J/K)

REF.NO.	PART NO.	DESCRIPTION	Q'TY	REMARKS
1	56311M35401	COVER, handle, upper (ALL COLOURS)	1	model G/J/K
2	56321M35401	COVER, handle, lower (ALL COLOURS)	1	
3	02112 - 06208	SCREW, handle lower cover	3	
4	09160 - 06012	WASHER, handle lower cover	3	
5	09320 - 10005	CUSHION, handle lower cover	3	
6	09180 - 06030	SPACER, handle lower cover	3	
7	08310 - 22088	NUT, handle lower cover	2	
8	09160 - 08005	WASHER, handle lower cover	2	
9	03211 - 04128	SCREW, handle cover	5	
10	56325 - 35401	CAP, handle lower cover RH	1	
11	56326 - 35401	CAP, handle lower cover LH	1	
12	03511 - 04168	SCREW	2	
13	08322 - 21047	WASHER	2	

Refer to FIG.36A (F-9) for model M/N

4

FIG.36A

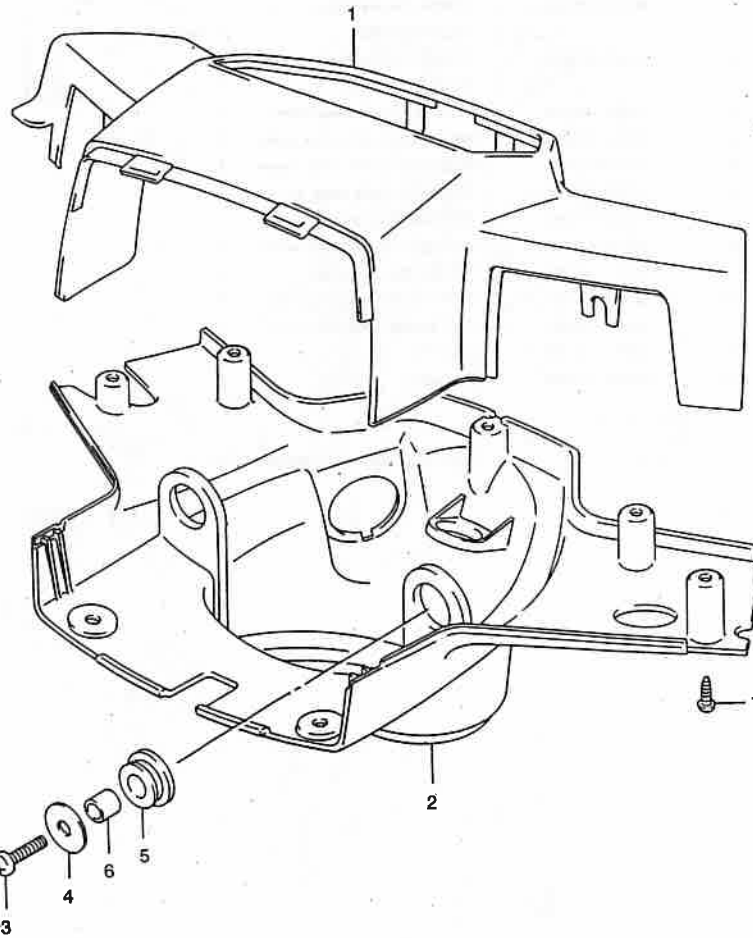


FIG.36A (F-9) HANDLE COVER (model M/N)

REF.NO.	PART NO.	DESCRIPTION	Q'TY	REMARKS
1	56311M35450	COVER, handle, upper (ALL COLOURS)	1	
2	56321M35450	COVER, handle, lower (ALL COLOURS)	1	
3-1	02112 - 06207	SCREW, handle lower cover	3	model M
3-2	09136 - 06041	SCREW, handle lower cover	3	model N
4	09160 - 06012	WASHER, handle lower cover	3	model M
5	09320 - 10005	CUSHION, handle lower cover	3	
6	09180 - 06030	SPACER, handle lower cover	3	
7	03212 - 04129	SCREW, handle cover	5	

FIG.37

FIG.37 (F-10) HANDLEBAR (model G/J/K)

REMARKS

REF.NO.	PART NO.	DESCRIPTION	Q'TY.	REMARKS
1	58110M35401	HANDLEBAR	1	
2	09320 - 10003	CUSHION	4	
3	09160 - 08005	WASHER	2	
4	08310 - 22088	NUT	2	
5	51310M35402	BRACKET, fork upper	1	
6	01107 - 12458	BOLT	1	
7	08321 - 21128	LOCK WASHER	1	
8	51358 - 35402	STOP, upper bracket, RH	1	
9	51359 - 35402	STOP, upper bracket, LH	1	
10	56500M02110	MIRROR ASSY, rear view, RH	1	
11	56600M02110	MIRROR ASSY, rear view, LH	1	
12	09160 - 08051	WASHER, view mirror	2	
13	09161 - 15003	WASHER, view mirror	2	
14	58100M35400	CABLE ASSY, front brake	1	
15	09440 - 06003	.SPRING	1	
16	09287 - 07001	.DUST SEAL	1	
17	09209 - 10001	.PIN	1	
18	09150 - 05101	.NUT	1	
19	58300M35403	CABLE, throttle	1	
20	09287 - 07002	DUST SEAL	1	
21	58410M35401	CABLE, starter	1	
22	58333 - 35400	DUST SEAL	2	
23	58621 - 35400	GUIDE, cable	1	
24	01517 - 06108	BOLT	1	
25	09407 - 25301	CLAMP, cable	2	
26	09408 - 00002	CLIP, cable	1	

Refer to FIG.37A (F-11) for model M/N

4

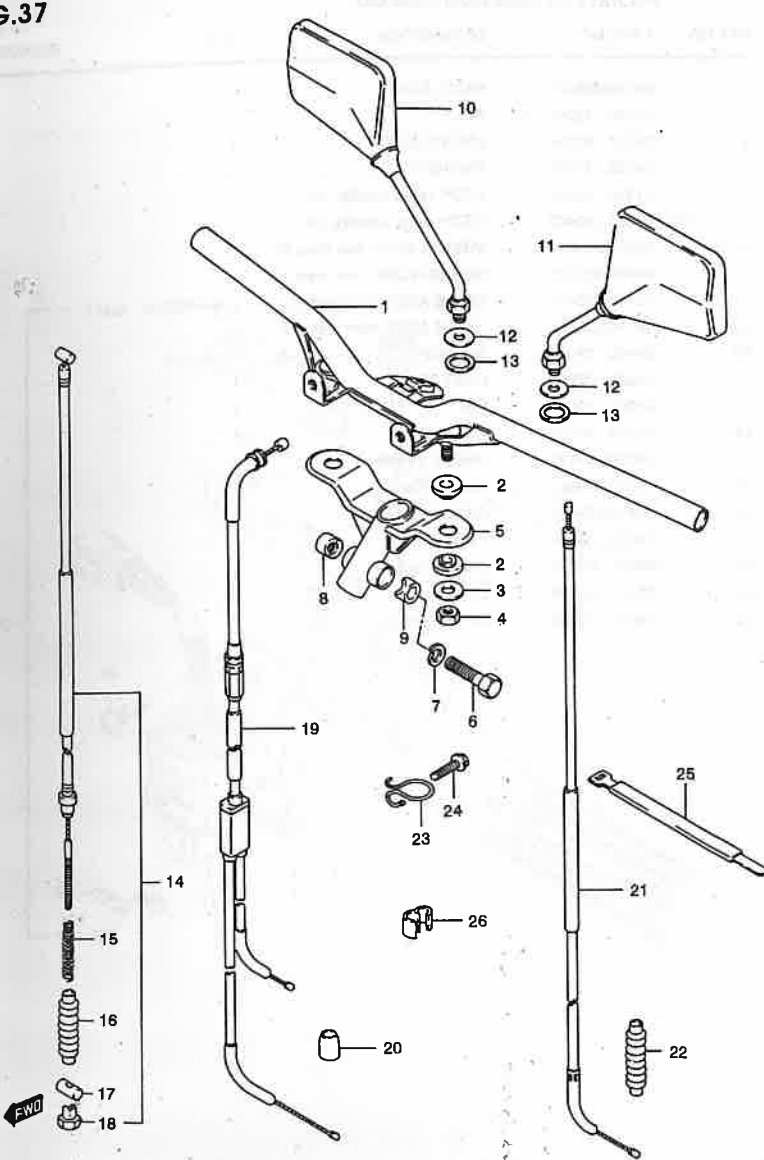


FIG.37A

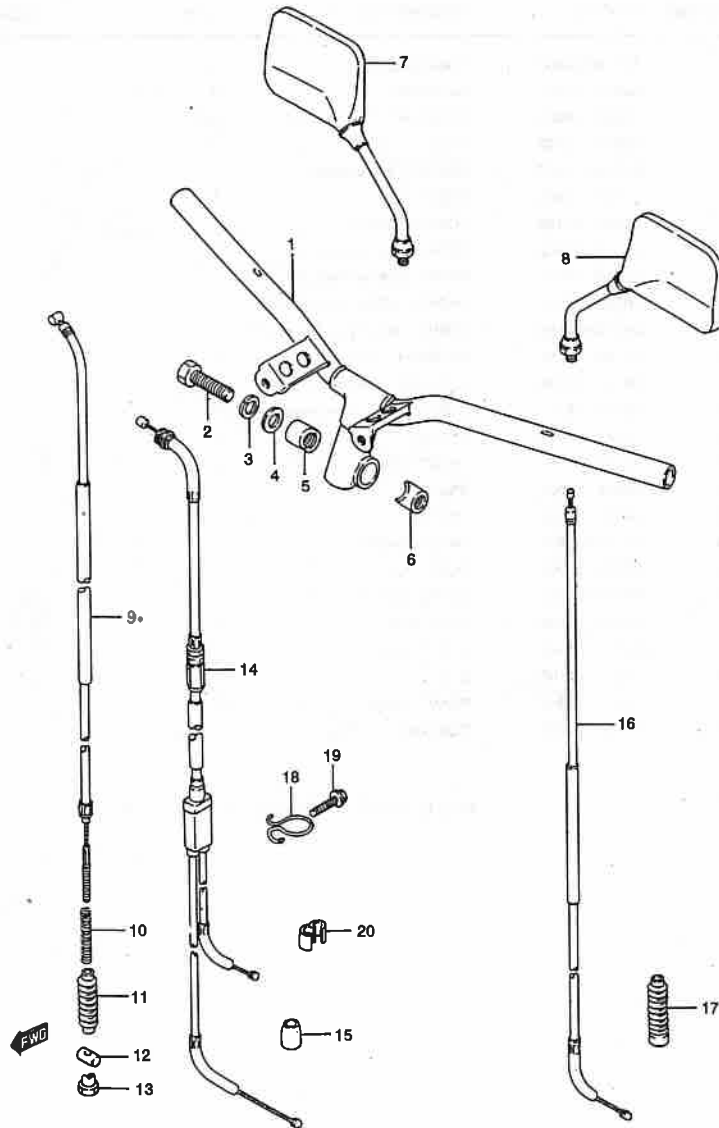


FIG.37A (F-11) HANDLEBAR (model M/N)

REF.NO.	PART NO.	DESCRIPTION	Q'TY	REMARKS
1	58110M35410	HANDLEBAR	1	
2	09100 - 12061	BOLT	1	
3	08321 - 21126	LOCK WASHER	1	
4	08322 - 11126	WASHER	1	
5	51358 - 35410	STOP, upper bracket, RH	1	
6	51359 - 35402	STOP, upper bracket, LH	1	
7	56500M09C00	MIRROR ASSY, rear view, RH	1	
8	56600M09C00	MIRROR ASSY, rear view, LH	1	
9-1	58110M35410	CABLE ASSY, front brake	1	← 58110 - 35411
9-2	58110M35411	CABLE ASSY, front brake	1	
10	09440 - 06003	SPRING	1	
11	09287 - 07001	DUST SEAL	1	
12	09209 - 10001	PIN	1	
13	09150 - 05101	NUT	1	
14	58300M35410	CABLE, throttle	1	
15	09287-07002	DUST SEAL	1	
16	58410M35410	CABLE, starter	1	
17	58333 - 35400	DUST SEAL	2	
18	58621 - 35400	GUIDE, cable	1	
19	01517 - 06105	BOLT	1	
20	09408 - 00002	CLIP, cable	1	

4

FIG.38

REMARKS

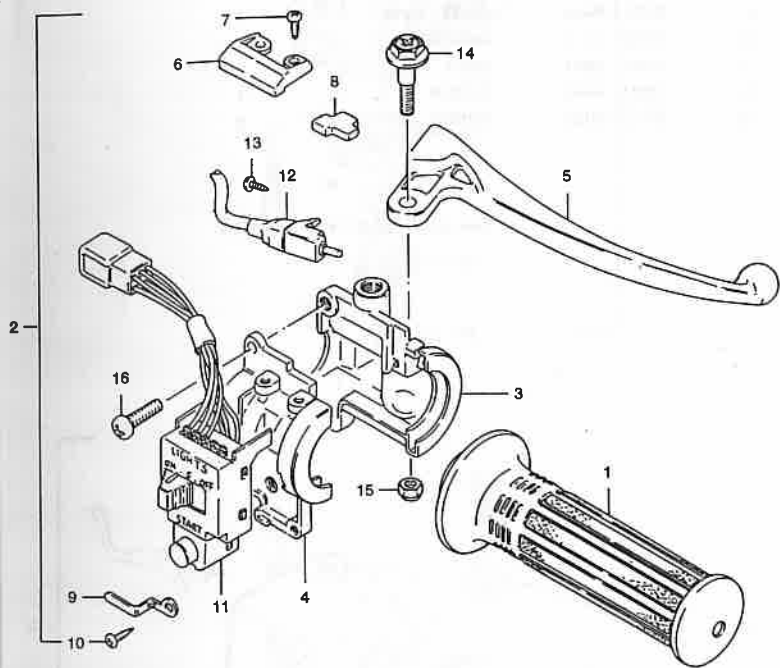


FIG.38 (F-12) RIGHT HANDLE SWITCH (model G/J/K)

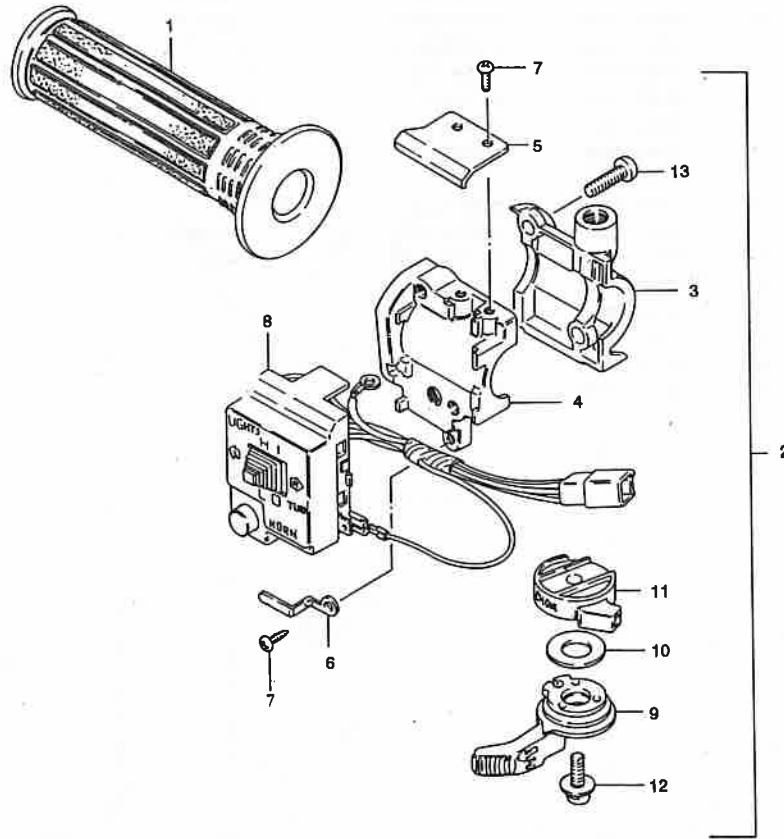
REF.NO.	PART NO.	DESCRIPTION	Q'TY	REMARKS
1-1	57110M35401	GRIP, throttle	1	model G/J
1-2	57110M35430	GRIP, throttle	1	model K
2-1	57300 - 35403	SWITCH ASSY, handle RH	1	model G/J
2-2	57300 - 35480	SWITCH ASSY, handle RH	1	model K
3-1	57311 - 35401	.HOLDER, lever	1	model G/J
3-2	57311 - 35480	.HOLDER, lever	1	model K
4	57361 - 35402	.HOLDER, switch	1	
5	57421M35400	.LEVER, brake	1	
6	57355 - 35400	SET PIECE	1	
7	57394 - 35400	.SCREW	2	
8	57393 - 35400	.COVER	1	
9	57727 - 35400	.PLATE	1	
10	57464 - 02100	.SCREW	1	
11-1	57301 - 35400	.SWITCH ASSY	1	model G/J
11-2	57301 - 35401	.SWITCH ASSY	1	model K
12	57460 - 35401	.SWITCH, stop	1	
13	57464 - 02100	.SCREW	1	
14	57431 - 02910	.BOLT	1	
15	08319 - 21058	.NUT	1	
16	02112 - 05167	.SCREW	2	

Refer to FIG.39A(F-14) for model M/N

4

FIG.39

FIG.39 (F-13) LEFT HANDLE SWITCH (model G/J/K)



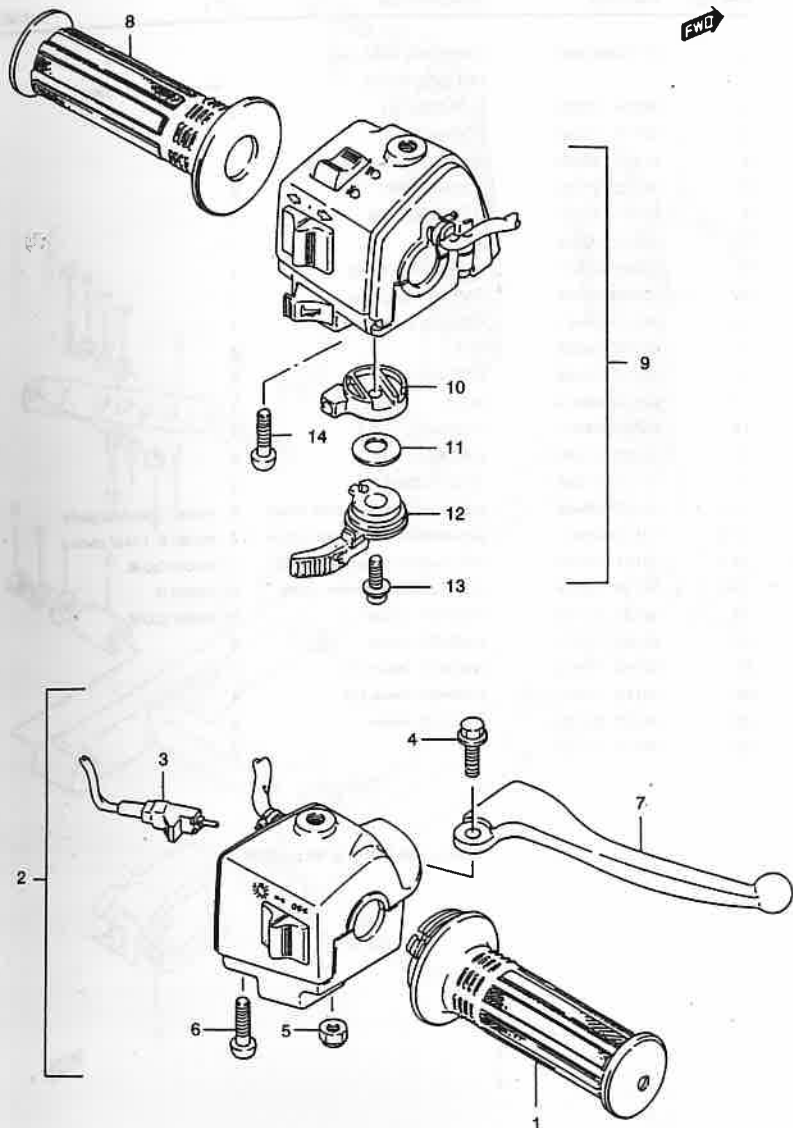
REF.NO.	PART NO.	DESCRIPTION	Q'TY.	REMARKS
1	57211M35401	GRIP, LH	1	
2	57500 - 35401	SWITCH ASSY, LH	1	
3	57511 - 35410	.HOLDER	1	
4	57561 - 35400	.HOLDER, switch	1	
5	57714 - 35400	.PLATE	1	
6	57727 - 35400	.PLATE	1	
7	57585 - 01400	.SCREW	3	
8	57510 - 35400	.SWITCH ASSY	1	
9	58721 - 35400	.LEVER, choke	1	
10	58722 - 03010	.WASHER	1	
11	58711 - 13201	.BODY	1	
12	37574 - 49440	.SCREW	1	
13	02112 - 05168	.SCREW	2	

Refer to FIG.39A (F-14) for model M/N

FIG.39A

FIG.39A (F-14) HANDLE SWITCH (model M/N)

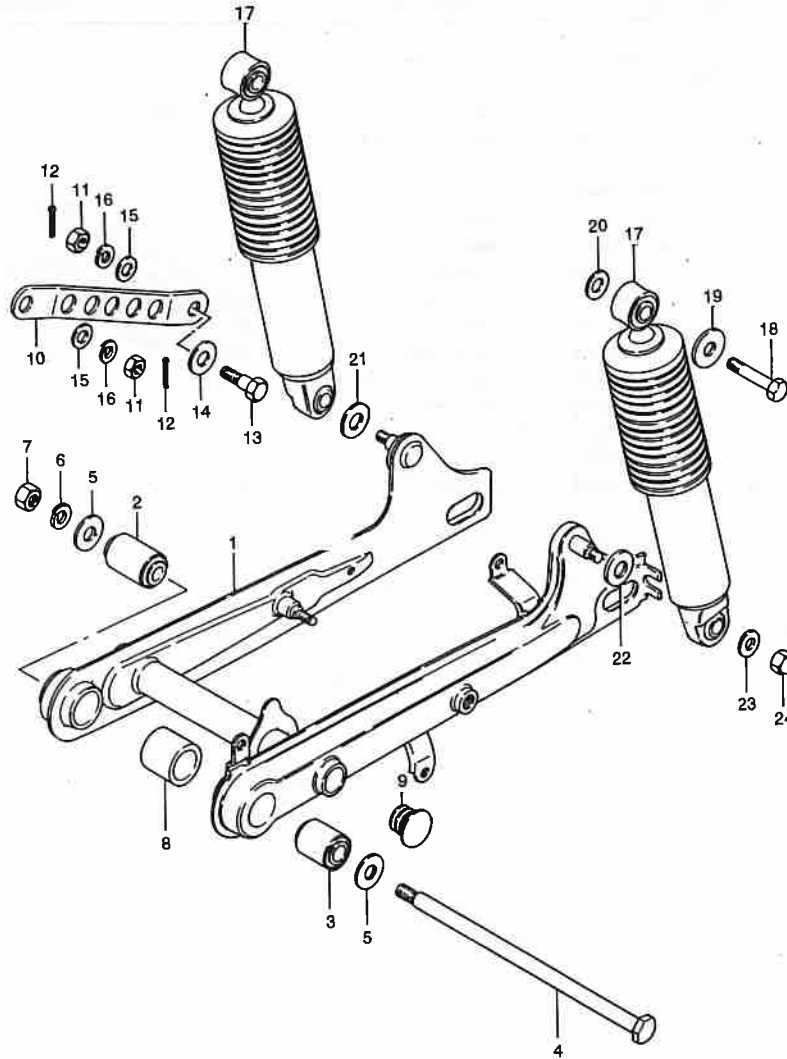
REMARKS



REF.NO.	PART NO.	DESCRIPTION	Q'TY *	REMARKS
1	57110M31C00	GRIP, throttle	1	
2-1	57300 - 35460	LEVER HOLDER & SWITCH ASSY	1	← 57300 35461
2-2	57300 - 35461	LEVER HOLDER & SWITCH ASSY	1	
3	57460 - 35401	.SWITCH, stop	1	
4	57431 - 02910	.BOLT	1	
5	08319 - 21055	.NUT	1	
6	09125 - 05065	.SCREW	2	
7	57421M35410	LEVER, brake	1	
8	57211M31C00	GRIP, LH	1	
9	37400M35400	SWITCH ASSY, LH	1	
10	58711 - 13201	.BODY, choke lever	1	
11	58722 - 03010	.WASHER	1	
12	58721 - 35400	.LEVER, choke	1	
13	37574 - 49440	.SCREW	1	
14	09125 - 05105	.SCREW	2	

4

FIG.40



FWD

RC100N P8

FIG.40 (G-2) REAR SWINGING ARM (model G/J/K/M)

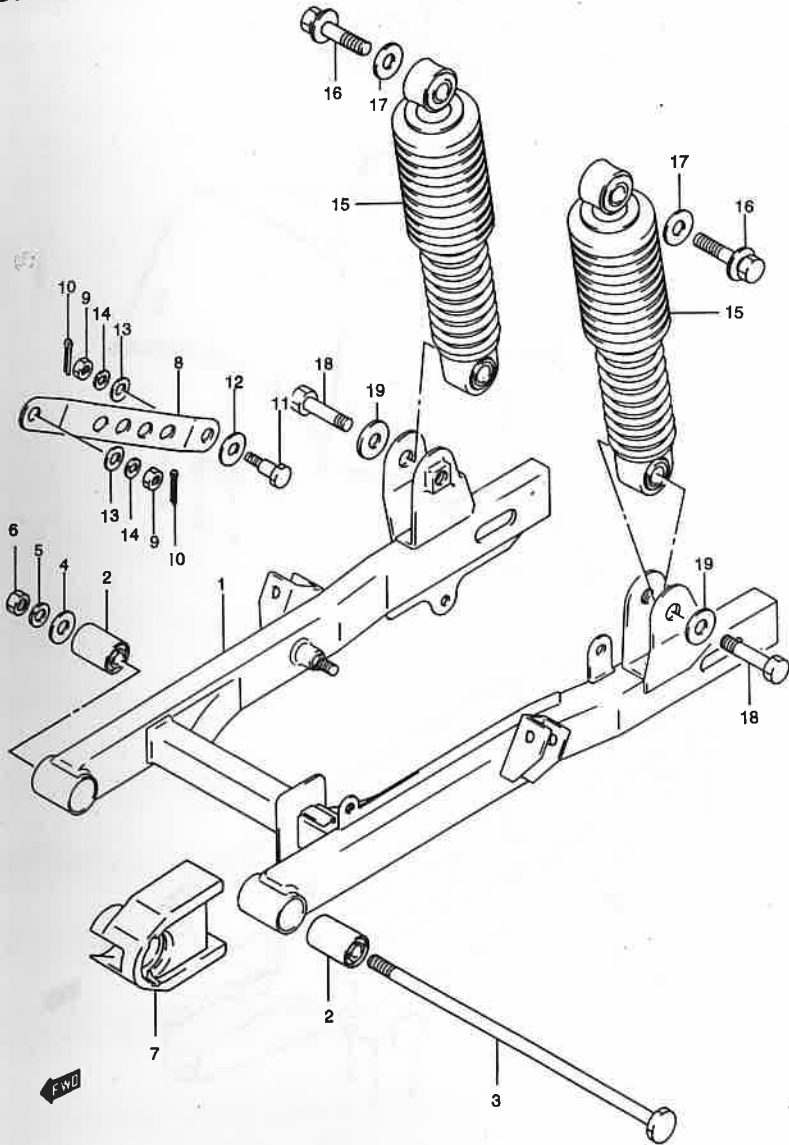
REF.NO.	PART NO.	DESCRIPTION	Q'TY	REMARKS
1	61100M35402	SWINGING ARM, rear (ALL COLOURS)	1	← 61100-35822
2	09319 - 10009	BUSHING, RH	1	
3	09319 - 10043	BUSHING, LH	1	
4	61211 - 09400	SHAFT, rear swinging arm.	1	
5	08322 - 21108	WASHER, RH	2	
6	08321 - 21107	LOCK WASHER	1	
7	08310 - 12108	NUT	1	
8	09320 - 22001	CUSHION, housing	1	
9	09250M22002	CAP. swinging arm	1	
10	64311 - 09401	TORQUE LINK, rear	1	
11	09140 - 08008	NUT	2	
12	04111 - 20208	COTTER PIN	2	
13	09111 - 08016	BOLT	1	
14	64322M09401	CUSHION	1	
15	08322 - 21088	WASHER	2	
16	08321 - 21088	LOCK WASHER	2	
17-1	62100M35400	ABSORBER ASSY, rear shock	2	model G/J, Local parts
17-2	62100M35401	ABSORBER ASSY, rear shock	2	model K, Local parts
18-1	09104 - 10004	BOLT, shock absorber, upper	2	model G/J/K
18-2	09116 - 10024	BOLT, shock absorber, upper	2	model M
19	08322 - 21108	WASHER, upper	2	model G/J/K
20	09160 - 10001	WASHER, upper	2	
21	09160 - 12012	WASHER, lower RH	1	
22	09160 - 12061	WASHER, lower LH	1	
23	08322 - 21108	WASHER, lower	2	
24	08313 - 11107	NUT	2	

Refer to FIG.40A(G-3) for model N

FIG.40A

FIG.40A(G-3) REAR SWINGING ARM (model N)

REF.NO.	PART NO.	DESCRIPTION	QTY	REMARKS
1	61100M35410	REAR SWINGIN ARM	1	
2	09319 - 10009	BUSHING	2	
3	61211 - 09410	SHAFT, rear swinging arm	1	
4	08322 - 21108	WASHER, RH.	2	
5	08321 - 21107	LOCK WASHER	1	
6	08310 - 12108	NUT	1	
7	61273M31C00	BUFFER, chain touch defence	1	
8	64311M31C00	TORQUE LINK, rear	1	
9	09140 - 08008	NUT	2	
10	04111 - 20208	COTTER PIN	2	
11	09111 - 08016	BOLT	1	
12	64322 - 09401	CUSHION	1	
13	08322 - 21088	WASHER	2	
14	08321 - 21088	LOCK WASHER	2	
15	62100M35470	ABSORBER ASSY, rear shock	2	
16	09116 - 10024	BOLT, upper	2	
17	09160 - 10001	WASHER	2	
18	09100 - 10227	BOLT, lower	2	
19	08322 - 21108	WASHER	2	



4

FIG.41A

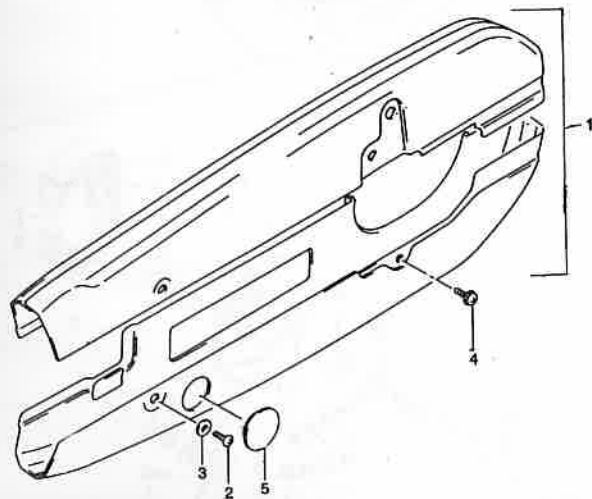
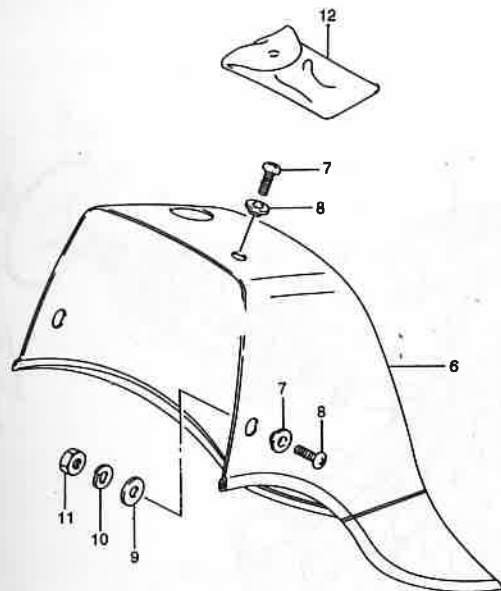


FIG.41A (G-5) REAR FENDER (model N)

REF.NO.	PART NO.	DESCRIPTION	QTY	REMARKS
1	61300M31C10 - 126	CASE, chain upper (Pearl)	1	
2	02112 - 06065	SCREW, front	2	
3	08322 - 21064	WASHER	2	
4	02112 - 16105	SCREW, rear	2	
5	09250M30001	CAP, chain case	1	
6	63111M35430	FENDER, rear (ALL COLOURS)	1	
7	02142 - 06167	SCREW	3	
8	09169 - 06028	WASHER	3	
9	08322 - 21067	WASHER, side	2	
10	08321 - 21067	LOCK WASHER	2	
11	08310 - 11068	NUT	1	
12	09800 - 00283	TOOL ASSY	1	

4

FIG.42

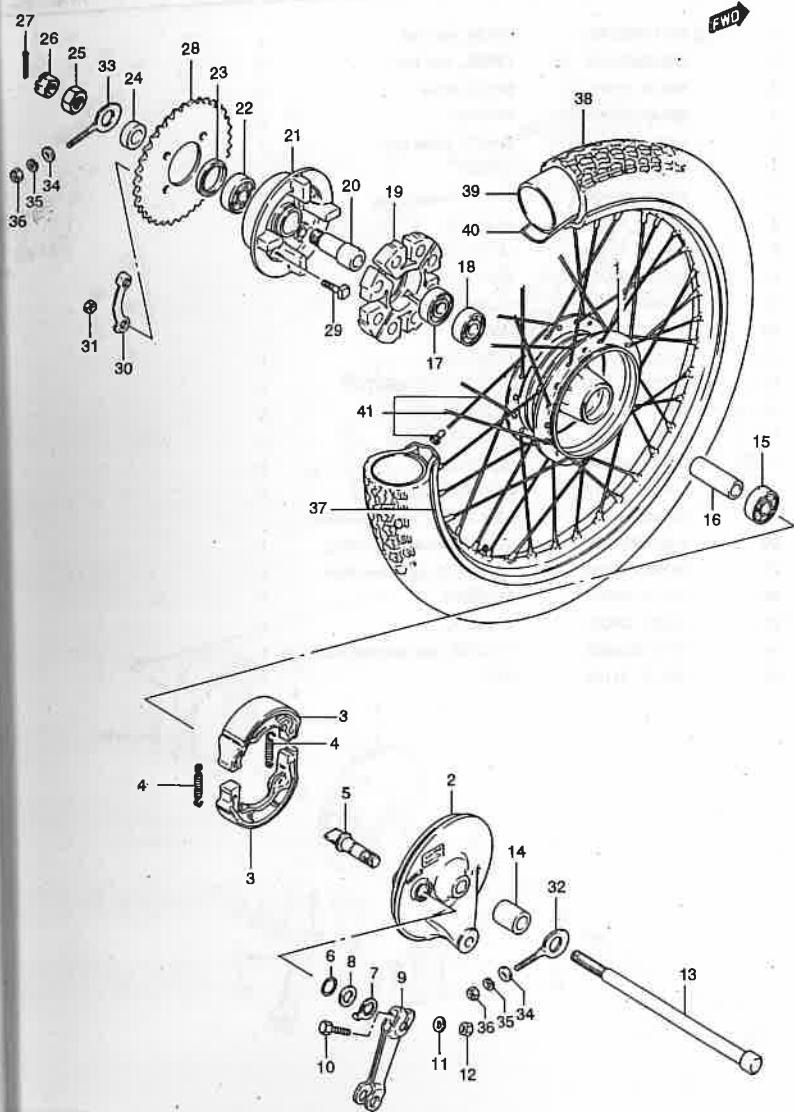


FIG.42 (G-7) REAR WHEEL (model G/J/K/M)

REF.NO.	PART NO.	DESCRIPTION	Q'TY	REMARKS
28-1	64511M35420	SPROCKET, rear (NT:34)	1	model G/J
28-2	64511M35430	SPROCKET, rear (NT:36)	1	model K/M
29	09105 - 08008	BOLT	4	
30	09169 - 08011	LOCK WASHER	2	
31	08310 - 12088	NUT	4	
32-1	61411 - 35400	ADJUSTER, chain RH	1	model G/J/K
32-2	61411 - 35410	ADJUSTER, chain RH	1	model M
33-1	61421 - 35400	ADJUSTER, chain LH	1	model G/J/K
33-2	61421 - 35410	ADJUSTER, chain LH	1	model M
34	08322 - 21067	WASHER	2	
35	08321 - 21067	LOCK WASHER	2	
36	08310 - 11067	NUT	2	
37	55311M03021	WHEEL RIM (1.40x17)	1	
38	65100M03012	TIRE, rear (2.50-17-4PR) IRC	1	
39	55200M03600	TUBE, inner	1	
40	55261M01010	PROTECTOR, inner tube	1	
41	65320M03021	SPOKE SET	1	

Refer to FIG.42A(G-8) for model N

FIG.42A

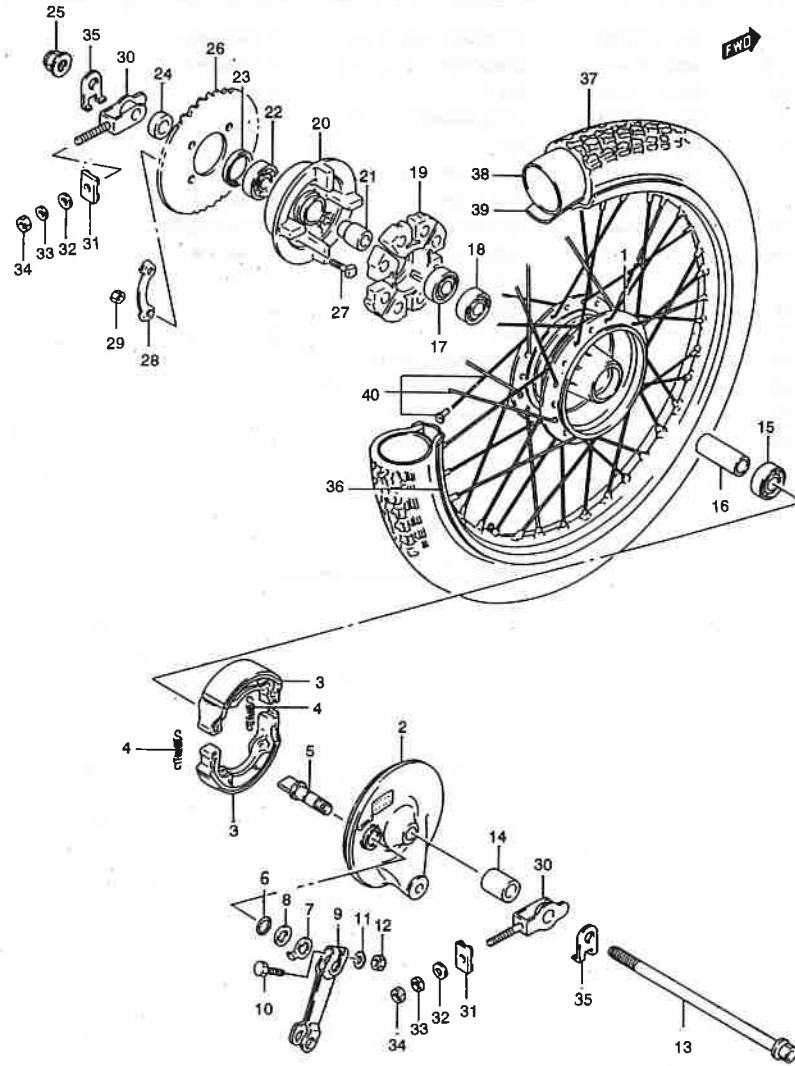


FIG.42A (G- 8) REAR WHEEL (model N)

REF.NO.	PART NO.	DESCRIPTION	Q'TY	REMARKS
1	64110M35300	DRUM, rear hub	1	
2	64210M46003	PANEL, rear hub	1	
3	54410 - 01010	SHOE, brake	2	
4	09443 - 07001	SPRING	2	
5	54441 - 29304	SHAFT, brake cam	1	
6	09280 - 14003	O RING	1	
7	54492 - 35400	PLATE, brake lining	1	
8	09160 - 14003	WASHER	1	
9	64451 - 43020	LEVER, brake cam	1	
10	09100 - 06078	BOLT	1	
11	08322 - 21067	WASHER	1	
12	08310 - 11067	NUT	1	
13	64711 - 28B00	AXLE, rear	1	
14	64731 - 31C00	SPACER, rear axle RH	1	
15	08143 - 63017	BEARING, RH	1	
16	09180 - 12084	SPACER, bearing	1	
17	08143 - 62017	BEARING, LH	1	
18	08113 - 62017	BEARING, inner LH	1	
19	64651M01001	ABSORBER, rear hub shock	1	
20	64611M01001	DRUM, sprocket mounting	1	
21	64733 - 43000	RETAINER, sprocket drum	1	
22	08113 - 62037	BEARING	1	
23	09285 - 25001	OIL SEAL	1	
24	64721M35500	SPACER, rear sprocket drum, LH	1	
25	08319 - 31128	NUT	1	

FIG.42A

REMARKS

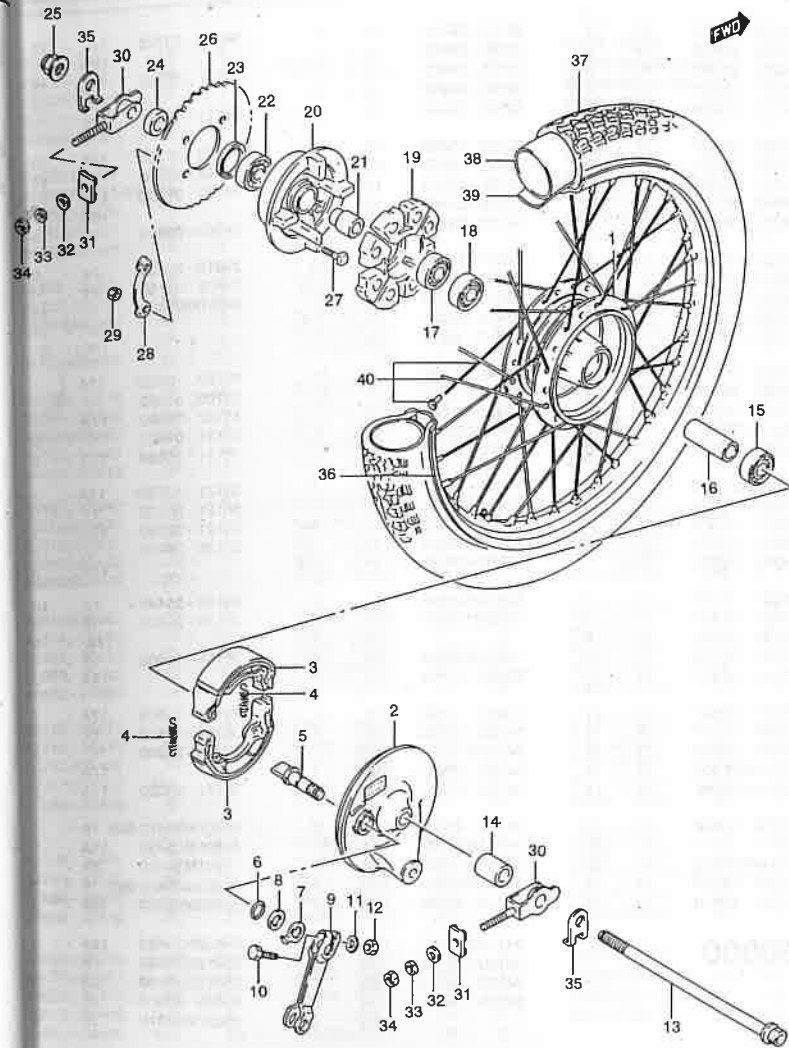


FIG.42A (G- 9) REAR WHEEL (model N)

REF.NO.	PART NO.	DESCRIPTION	Q'TY	REMARKS
26	64511M35430	SPROCKET, rear (NT:36)	1	
27	09105 - 08008	BOLT	4	
28	09169 - 08011	LOCK WASHER	2	
29	08310 - 11088	NUT	4	
30	61410 - 35500	ADJUSTER, chain	2	
31	61420M31C20	GUIDE, chain adjuster	2	
32	08322 - 21088	WASHER	2	
33	08321 - 21088	WASHER, lock	2	
34	08310 - 11088	NUT	2	
35	64712 - 20900	WASHER, adjuster guide	2	
36	55311M03021	RIM, wheel (1.40x17)	1	
37	65100M03012	TIRE (2.50-17-4PR) IRC	1	
38	55200M03600	TUBE ASSY, inner	1	
39	55261M01010	PROTECTOR, inner tube	1	
40	65320M03021	SPOKE SET	1	

4

PART NO.	FIG. NO. - REF. NO.	PART NO.	FIG. NO. - REF. NO.	PART NO.	FIG. NO. - REF. NO.	PART NO.	FIG. NO. - REF. NO.	PART NO.	FIG. NO. - REF. NO.	PART NO.	FIG. NO. - REF. NO.
10000						20000					
11111M09C00	1 - 1	13249 - 43200	5 - 23	14510M31C00	7 - 7	24331 - 35403	10 - 13	32120 - 35420	13 - 2	34183 - 35700	16A - 18
11111M35501	1 - 1	13250 - 35400	5 - 2	16100 - 09C00	8 - 6	24341 - 35501	10 - 14	32140 - 35410	13 - 4	34183 - 35700	16B - 18
11141M35500	1 - 2	13251 - 35400	5 - 1	16100 - 35500	8 - 6	24741 - 35400	10 - 9	32351 - 39210	13 - 3	34193 - 35700	16A - 17
11151 - 31C00	1 - 12	13254 - 20010	5 - 8	16292 - 03112	8 - 7	24840 - 35400	2 - 18	32372 - 35400	13 - 13		16B - 17
11151 - 36500	1 - 11	13267 - 43200	5 - 19	16320 - 35401	8 - 9	25210 - 31C01	11 - 1	32500 - 02111	15 - 1	34383 - 09400	16 - 9
11210 - 09C00	1 - 3	13268 - 43200	5 - 18	16329 - 35401	8 - 10	25221 - 35400	11 - 2	32800 - 19063	15 - 3	34810 - 35400	24 - 9
11210 - 35521	1 - 3	13278 - 02330	5 - 27	16329M35402	8 - 10	25311 - 35413	11 - 4	32800 - 35421	15 - 3A	34825 - 02100	24 - 10
11241M35500	1 - 7	13332 - 35400	5 - 4	16731M03101	8 - 8	25341 - 35400	11 - 10	33410 - 35410	15 - 8	34910M35400	16 - 11
11271M35410	1 - 4	13370 - 02421	5 - 9	16820 - 35403	9 - 15	25350 - 35403	11 - 12	33410 - 35450	15 - 8A		16A - 21
11301 - 35837	2 - 1	13373 - 46710	5 - 20	16910 - 09C00	2 - 3	25381 - 35411	11 - 5	33510 - 35410	15 - 10		16B - 21
11340 - 35507	3 - 1	13374 - 46710	5 - 10		2 - 35	25382 - 35411	11 - 6	33541 - 69010	15 - 11	35100 - 10C00	17A - 1
11351M35406	3 - 11	13383 - 09C10	5 - 6	17110 - 35410	3 - 20	25421 - 35401	11 - 3	33542 - 35410	15 - 12	35100 - 35482	17 - 1
11361M35403	3 - 18	13383 - 35440	5 - 6	17131M35414	3 - 24	25510 - 35504	11 - 16	33610M31C10	14 - 1	35100 - 35590	17A - 1
11361M35520	3 - 18	13394 - 12110	5 - 7	17133M35412	3 - 28	25510 - 35511	11 - 16	33610M38010	14 - 1	35111 - 09401	17 - 2
11385M35404	8 - 1	13411 - 01010	5 - 26	17139 - 35412	3 - 31	25520 - 35415	11 - 20	33610 - 38020	14 - 1	35111 - 35560	17A - 2
11387 - 35401	8 - 4	13417 - 01010	5 - 25			25600M31C00	11 - 25	33651 - 35400	14 - 3	35121 - 10C00	17A - 3
11389 - 35402	3 - 12	13418 - 43200	5 - 24			25652 - 16500	11 - 26	33651 - 37000	26 - 11	35121 - 35402	17 - 3
11400M35870	1 - 14	13523 - 46110	5 - 30			25671 - 31C00	11 - 24	33652 - 31C10	14 - 5A	35121 - 35590	17A - 3
11482M35401	3 - 2	13551 - 09C10	5 - 15			25671 - 35400	11 - 24	33652M35499	14 - 4A	35135 - 35400	17 - 9
11483 - 35400	3 - 17	13551 - 35410	5 - 15			26210 - 35504	12 - 1	33652M29100	14 - 6A		17A - 9
12105 - 35840	4 - 20	13573 - 35400	5 - 17	21111-35404	9 - 1	26221 - 35400	12 - 2	33652M35499	14 - 6	35135 - 35440	17 - 10
12110 - 09C00-0F0	4 - 1	13581 - 36212	5 - 16	21112-35402	9 - 2	26231 - 35403	9 - 7	33652M36000	14 - 4	35136 - 35400	17 - 8
12110 - 09C00-050	4 - 1	13601 - 04148	5 - 14	21210-35503	9 - 11	26240 - 35401	12 - 6		14 - 4		17A - 8
12110 - 09C00-100	4 - 1	13683 - 35420	5 - 12	21410-35502	9 - 22	26261 - 31C00	12 - 10	33652M39000	14 - 5	35151 - 35402	17 - 6
12110 - 35504-0F0	4 - 1	13683 - 35430	5 - 28	21441-35510	9 - 13	26261 - 35403	12 - 10	33680 - 01400	14 - 7		17A - 6
12110 - 35504-050	4 - 1					26271 - 35501	12 - 11	33680 - 14A00	14 - 7	35154 - 13610	17A - 7
12110 - 35504-100	4 - 1	13683 - 36A00	5 - 31	21451 - 30A00	9 - 14	26280 - 31C00	9 - 10	34100 - 10C20	16A - 1	35154 - 49430	17 - 7
12140 - 35510	4 - 2	13683 - 37420	5 - 13	21451 - 35401	9 - 12	26280 - 35402	9 - 10	34100M10C30	16B - 1	35171 - 35300	17 - 4
12140 - 35510-050	4 - 2	13700 - 35403	6 - 1	21451 - 35501	9 - 16	26300M35400	12 - 14	34100 - 35560	16 - 1		17A - 5
12140 - 35510-100	4 - 2	13711M35403	6 - 10	21452 - 35401	9 - 15	26300M35440	12 - 14	34100 - 35590	16 - 1	35171 - 43020	17A - 5
12151 - 35500	4 - 3	13720M35402	6 - 2	21452 - 35500	9 - 17						
12161 - 35500	4 - 10	13739M35400	6 - 12	21461 - 35402	9 - 18	26352 - 01000	12 - 15	34111 - 35700	16A - 10	35601M35410-999	18 - 1
12200 - 35505	4 - 6	13740M35401	6 - 3	21501 - 35413	9 - 6	27511 - 27401	10 - 20	34111M35700	16B - 10	35601M35450	18A - 1
12211 - 35401	4 - 12	13781M35400	6 - 5	23121 - 09D00	9 - 25	27600M07612	10 - 22	34112 - 35700	16A - 2	35601M35460	18A - 1
12221 - 35501	4 - 7	13791M35400	6 - 4	23221 - 35403	9 - 29	27620 - 05220	10 - 23	34112M35700	16B - 2	35602M35410-999	18 - 2
12261 - 35403-0A0	4 - 8	13821 - 00011	6 - 9	23222 - 09400	9 - 30	27620 - 20910	10 - 23	34113 - 35780	16A - 3	35602M35450	18A - 2
12359 - 35500	4 - 13	13860 - 00010	6 - 11	23223 - 35413	9 - 35			34113M35780	16B - 3	35602M35460	18A - 2
13111 - 35403	2 - 21	13881M35401	6 - 7	23230 - 35501	9 - 27			34120 - 09C60	16A - 5	35612M35400	18 - 3
13125M35401	2 - 32	14105M09C00	7 - 1	23230 - 35510	9 - 27			34120 - 09C70	16B - 5	35612M35450	18A - 3
13150 - 35402	2 - 22	14105M35541	7 - 1	23250 - 35401	9 - 28			34125 - 16A00	16A - 9	35625 - 47610	18 - 5
13152 - 35400	2 - 23	14181 - 35400	7 - 2	24121 - 35503	10 - 1				16B - 9	35627M43010	19 - 8
30000						30000					

5

PART NO.	FIG.NO.-REF.NO.	PART NO.	FIG.NO.-REF.NO.	PART NO.	FIG.NO.-REF.NO.	PART NO.	FIG.NO.-REF.NO.	PART NO.	FIG.NO.-REF.NO.	PART NO.	FIG.NO.-REF.NO.
	37A - 18		42A - 9	94982 - 29400	27 - 4	02112 - 05108	8 - 5	02132 - 03105	21 - 6	08113 - 62017	42 - 18
58711 - 13201	39 - 11	64511M35420	42 - 28	95700 - 13800-KEY27	22 - 22	02112 - 05125	20 - 8	02142 - 05125	41 - 22		42A - 18
	39A - 10	64511M35430	42 - 28	95700 - 35410-KEY27	22 - 22	02112 - 05126	24 - 11	02142 - 05128	13 - 11	08113 - 62037	42 - 22
58721 - 35400	39 - 9		42A - 26	95700 - 35830	27 - 22	02112 - 05128	11 - 29	02142 - 06127	6 - 6		42A - 22
	39A - 12	64611 - 01001	42 - 21			02112 - 05167	38 - 16		31 - 9A	08123 - 62007	35 - 29
58722 - 03010	39 - 10	64611M01001	42A - 20			02112 - 05168	8 - 12	02142 - 06167	41A - 7	08143 - 62017	4 - 19
	39A - 11	64651M01001	42 - 19				39 - 13	02142 - 06207	21 - 9		42 - 17
			42A - 19			02112 - 05308	8 - 13	02142 - 15125	41 - 22		42A - 17
		64711 - 28B00	40A - 13			02112 - 06065	41A - 2	02152 - 05088	3 - 29	08143 - 63007	35 - 27
		64711 - 35400	42 - 13			02112 - 06087	41 - 3	02152 - 06108	33 - 6	08143 - 63017	42 - 15
											42A - 15
		64712 - 20900	42A - 35	01107 - 06126	20 - 18		41 - 4	02152 - 06207	33 - 7		11 - 8
		64721M35500	42A - 24	01107 - 06127	29 - 7	02112 - 06106	15 - 6		41 - 6	08211 - 06221	11 - 8
		64731 - 31C00	42A - 14			02112 - 06108	10 - 10	03111 - 04126	16A - 19	08211 - 12181	12 - 12
		64733 - 43000	42A - 21	01107 - 06166	28 - 8		28 - 14		16B - 19	08211 - 12262	11 - 22
		64761 - 01000	42 - 20				41 - 7	03211 - 04126	34 - 3	08310 - 11056	17 - 20
											17A - 14
						02112 - 06128	2 - 20	03211 - 04128	36 - 9		41 - 26
							8 - 11	03211 - 04165	33 - 5		35 - 13
						02112 - 06166	15 - 9A	03211 - 04256	19 - 6	08310 - 11067	42 - 12
						02112 - 06167	1 - 5	03211 - 14126	34 - 3		42 - 36
							31 - 7	03212 - 04129	36A - 7		42A - 12
						02112 - 06206	2 - 27	03212 - 04169	17 - 11		41A - 11
							15 - 9		17 - 16	08310 - 11068	42A - 29
						02112 - 06207	3 - 25	03212 - 04359	18 - 6	08310 - 11088	42A - 34
							36A - 3	03231 - 04165	16 - 10		7 - 9
						02112 - 06208	36 - 3	03241 - 05126	18A - 7	08310 - 12088	8 - 20
											42 - 31
						02112 - 06257	2 - 4	03251 - 04208	16A - 20		40 - 7
							3 - 4	03251 - 04208	16B - 20		40A - 6
						02112 - 06308	3 - 26	03511 - 04168	36 - 12	08310 - 12108	2 - 34
						02112 - 06357	2 - 5	03511 - 04206	18A - 5	08310 - 22067	9 - 38
							3 - 13	03511 - 05166	34A - 3		36 - 7
											37 - 4
						02112 - 06407	3 - 6	03551 - 04128	28A - 6	08310 - 22088	22 - 15
						02112 - 06457	3 - 7	04111 - 16158	9 - 34		22 - 23
						02112 - 06507	2 - 6	04111 - 20208	22 - 22	08310 - 22107	41 - 20
							3 - 5		22 - 28		40 - 24
									23 - 10		35 - 15
											42 - 26
											19 - 21A
											21 - 7
											19 - 18
											19 - 21
											27 - 11
											27 - 18

60000

5

90000

00000

5

PART NO.	FIG.NO.-REF.NO.	PART NO.	FIG.NO.-REF.NO.	PART NO.	FIG.NO.-REF.NO.
	42 - 6	09401 - 04401	8 - 16	09471 - 06053	16 - 3
	42A - 6	09401 - 08401	8 - 18		16A - 14
09280 - 20004	4 - 15	09401 - 08402	25 - 5	09471 - 06059	16 - 6
09280 - 26003	11 - 30	09401 - 22401	26 - 5		16A - 16
09283 - 17014	10 - 18	09402 - 25502	26 - 6	09471 - 06061	17 - 15
09283 - 25066	4 - 17	09402 - 40305	6 - 8	09471 - 06062	16A - 13
09284 - 15001	35 - 30	09402 - 48208	6 - 13	09471 - 12003	18A - 6
09285 - 12002	11 - 17	09403 - 20301	20 - 4		19 - 10
09285 - 14001	12 - 5	09404 - 06401	2 - 19	09471 - 12008	19 - 9
09285 - 25001	42 - 23	09404 - 06402	8 - 21	09471 - 12013	17A - 4
	42A - 23	09404 - 06415	20 - 5	09471 - 12053	16B - 14
09285 - 43001	35 - 26	09404 - 06416	24 - 13	09471 - 12059	16B - 16
09287 - 07001	37 - 16	09407 - 08401	13 - 14	09481 - 10001	20 - 2
	37A - 11	09407 - 14403	20 - 6	09482M00105	1 - 13
09287 - 07002	37 - 20	09407 - 18402	20 - 6	09482 - 00106	1 - 13
	37A - 15	09407 - 25301	37 - 25	09491 - 87005	5 - 3
09289 - 32003	4 - 18	09407 - 25401	20 - 6	09491 - 92004	5 - 3
09308 - 10012	20 - 3	09408 - 00002	37 - 26	09492 - 20008	5 - 11
09308 - 10017	20 - 3		37A - 20	09492 - 22006	5 - 11
09319 - 08010	2 - 12	09440 - 04010	11 - 32	09493 - 24007	5 - 32
09319 - 10009	40 - 2	09440 - 06003	37 - 15	09493 - 26004	5 - 32
	40A - 2		37A - 10	09493 - 28007	5 - 32
09319 - 10043	40 - 3	09440 - 09004	23 - 6	09494 - 00431	5 - 5
09320 - 09003	19 - 16	09443 - 06032	20 - 16	09494 - 00603	5 - 5
09320 - 09004	19 - 17	09443 - 06053	9 - 32	09800 - 00283	21 - 11
09320 - 10003	37 - 2	09443 - 07001	35 - 4		41A - 12
09320 - 10005	36 - 5		42 - 4		
	36A - 5		42A - 4		
09320 - 11010	34 - 6	09443 - 07026	11 - 15		
	34A - 6	09443 - 09018	11 - 21		
09320 - 22001	40 - 8	09443 - 13011	12 - 7		
09321 - 06023	19 - 22	09443 - 14022	22 - 16		
09321 - 09001	8 - 3	09443 - 16007	22 - 6		
09321 - 10001	22 - 7	09444 - 26021	11 - 18		
09321 - 14005	27 - 3	09448 - 30009	35 - 9		
09329M10001	28 - 12	09448 - 31016	23 - 2		
	28A - 3	09448 - 39004	12 - 3		
09343 - 05165	25 - 4	09471 - 06008	19 - 11		
09343M20001	26 - 4	09471 - 06015	17 - 5		
09352 - 45853-300	8 - 17		17A - 4		
	8 - 17	09471 - 06021	19 - 7		
09352 - 50823-600	25 - 4		18A - 6		
09380 - 17007	10 - 5		19 - 12		
	10 - 15	09471 - 06052	16 - 4		
09381 - 12001	4 - 5		16A - 12		