

**SUZUKI** 

**PARTS CATALOGUE**

**1995**

FIG.1

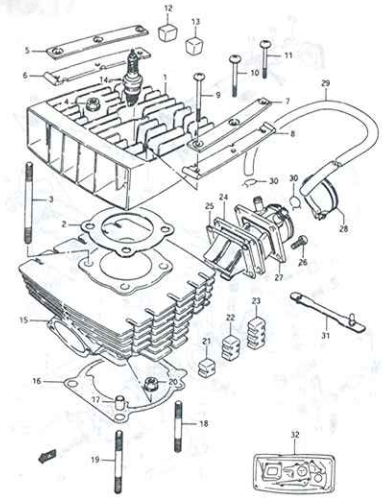


FIG.2

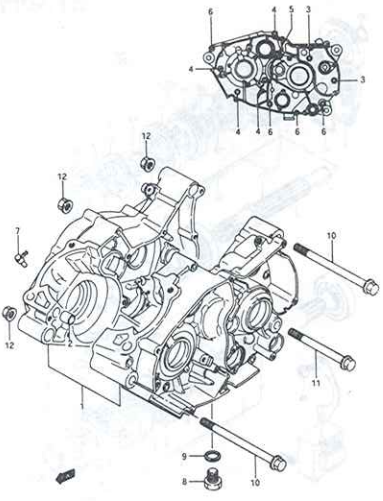


FIG.3

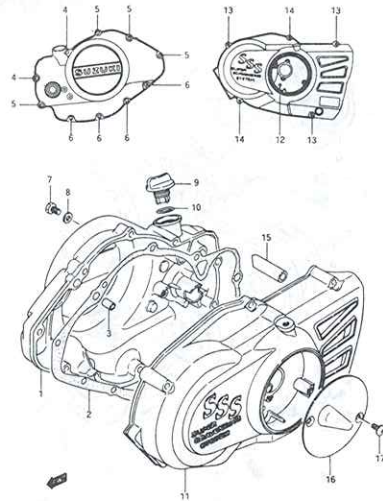


FIG.4

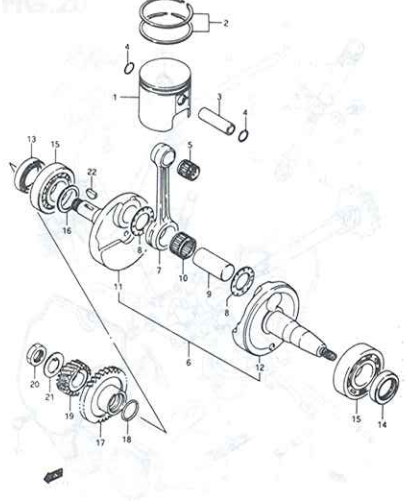


FIG.5

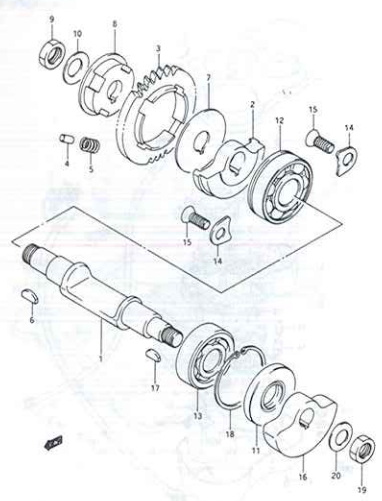


FIG.6

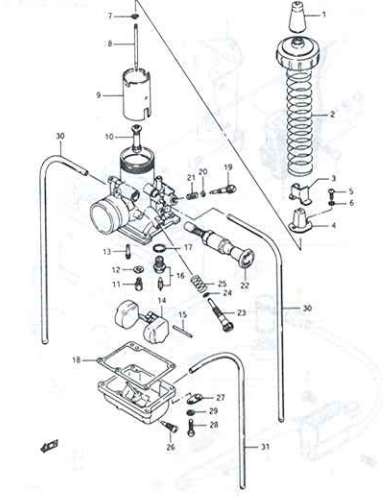


FIG.7

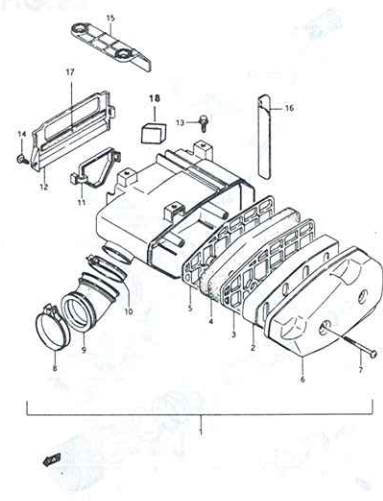


FIG.8

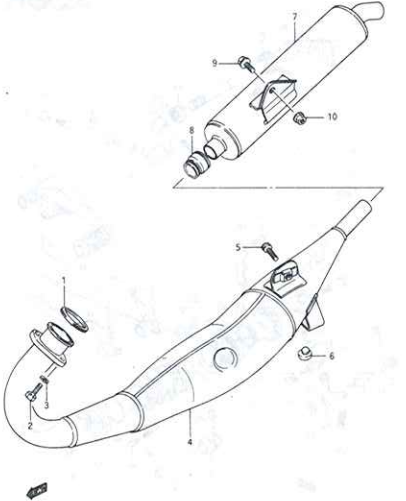


FIG.9

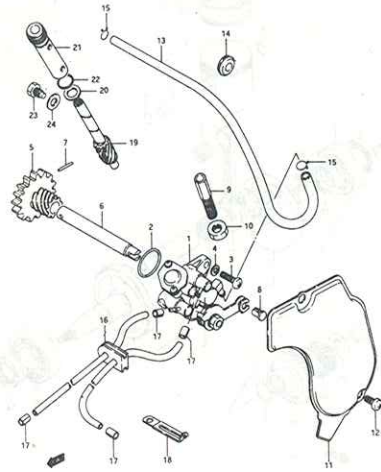


FIG.10

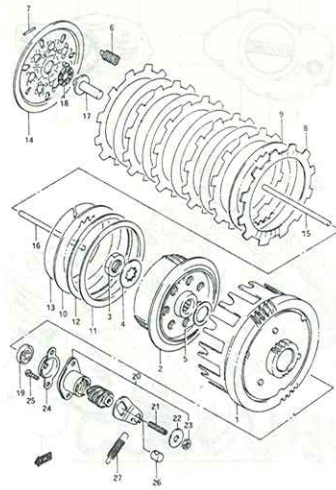


FIG.11

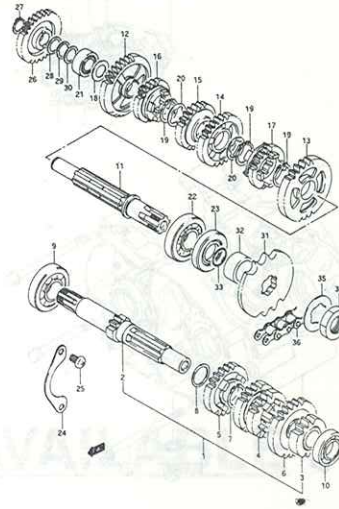


FIG.12

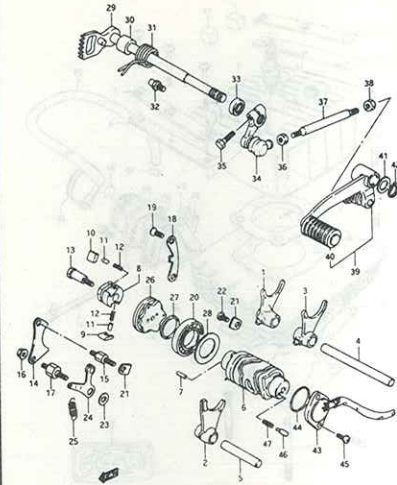


FIG.13

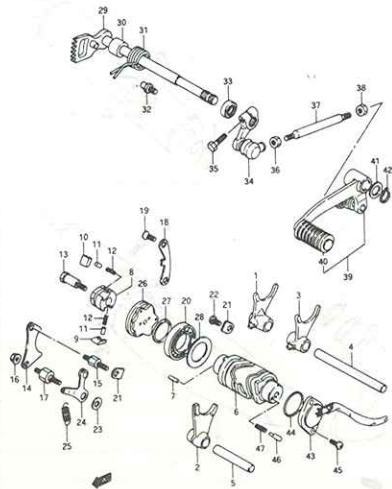


FIG.14

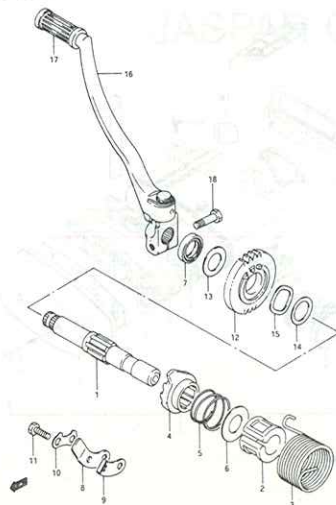


FIG.15

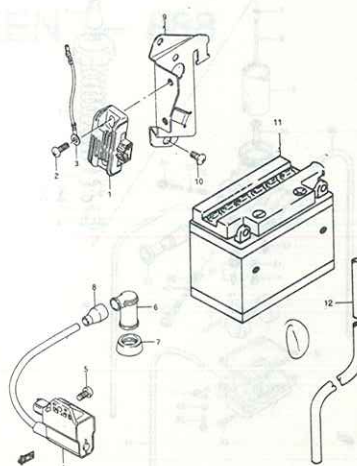


FIG.16

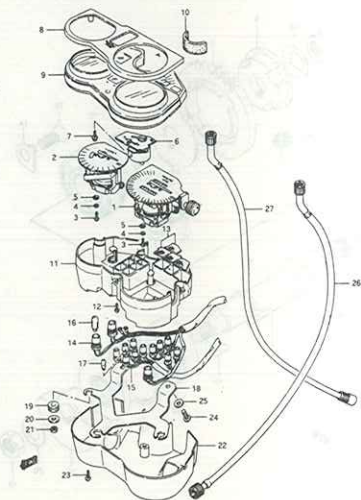


FIG.17



FIG.21



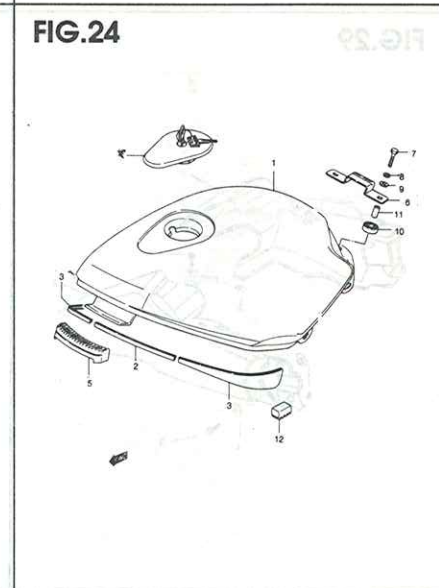
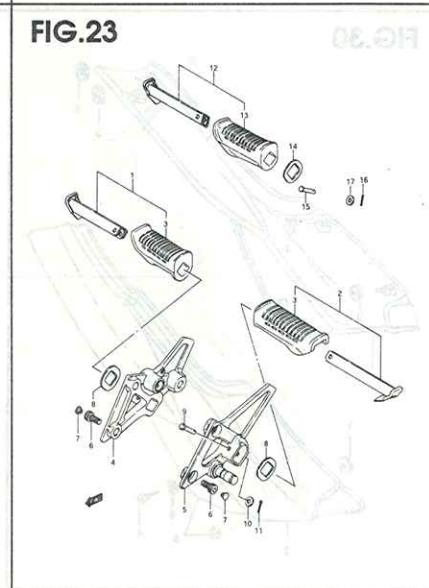
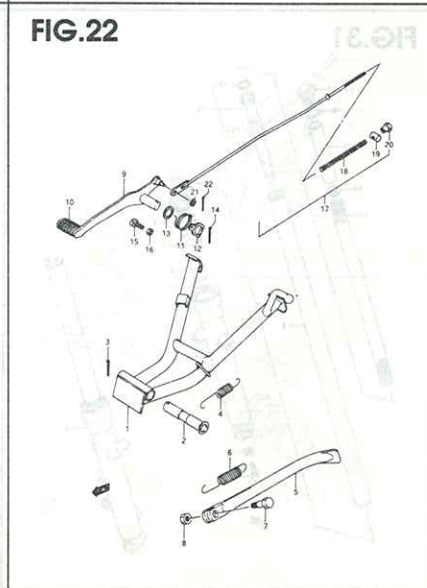
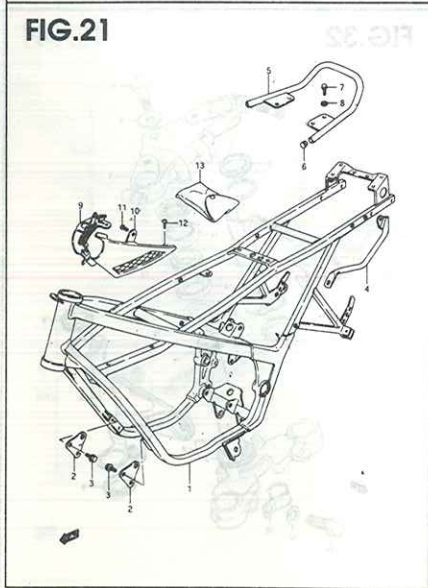
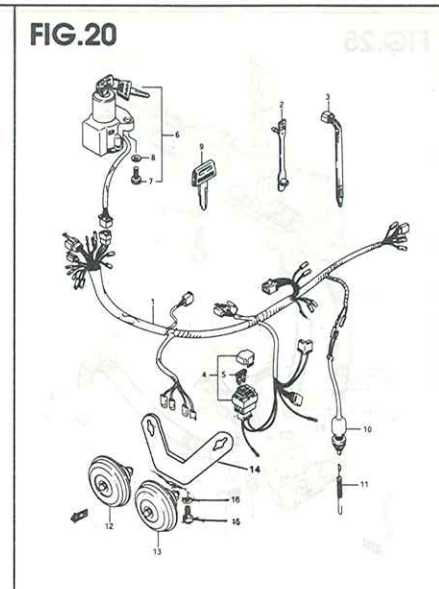
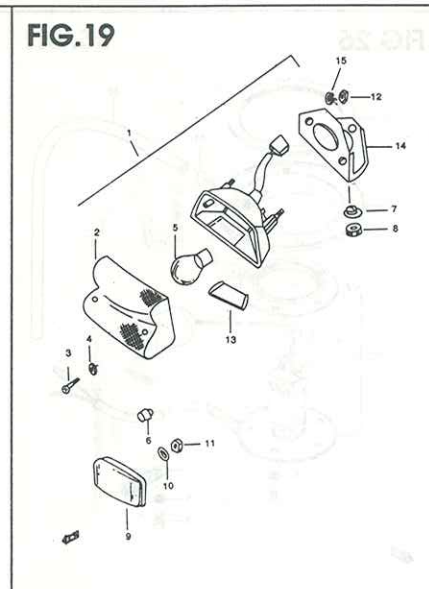
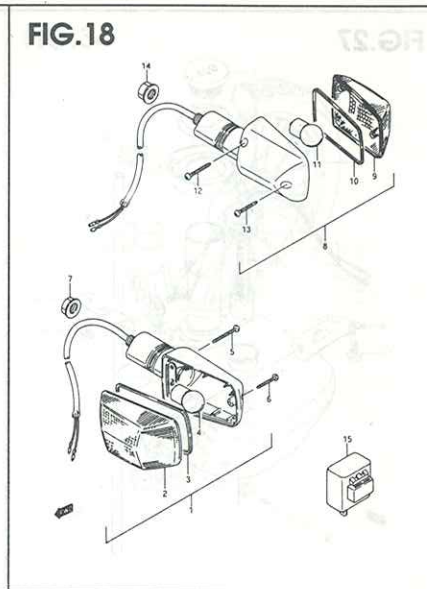
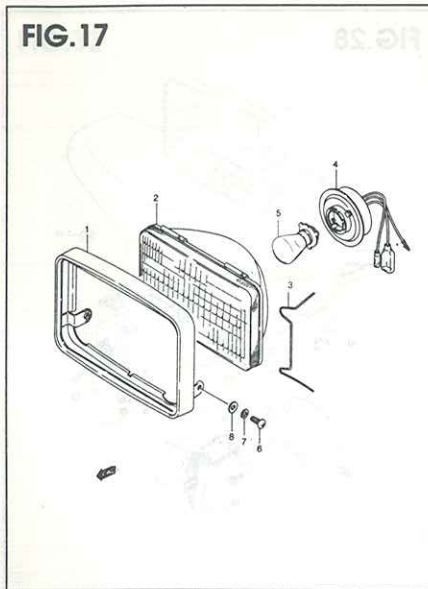


FIG.25

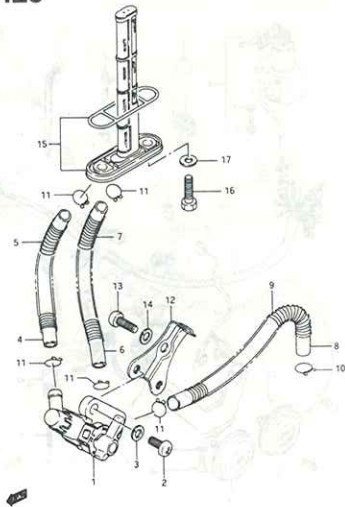


FIG.26

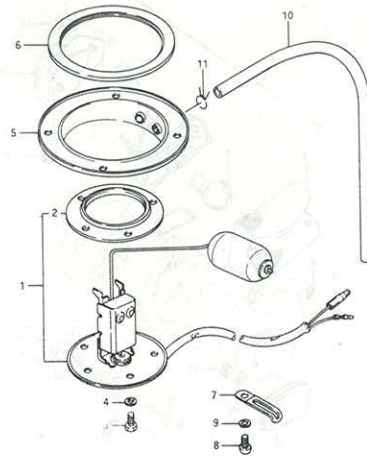


FIG.27

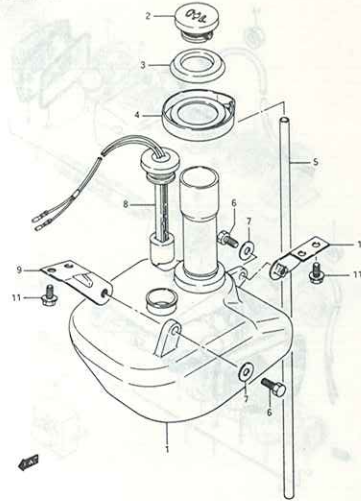


FIG.28

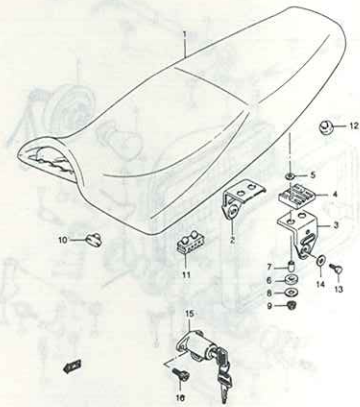


FIG.29

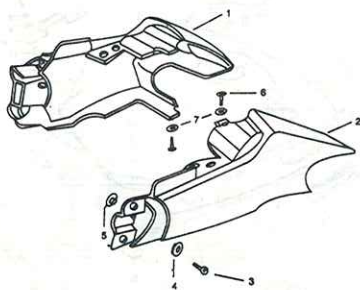


FIG.30

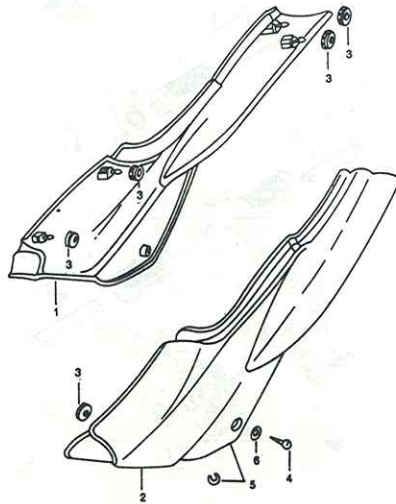


FIG.31

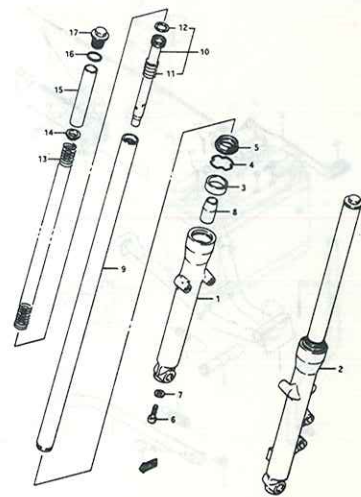


FIG.32

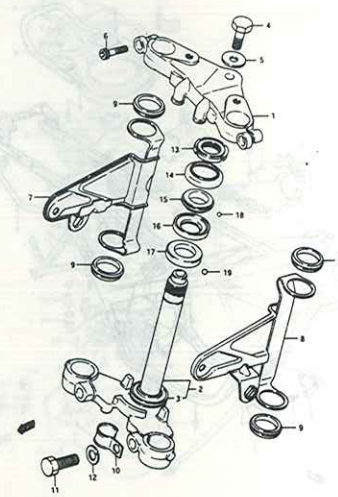


FIG.33

FIG.37

FIG.33

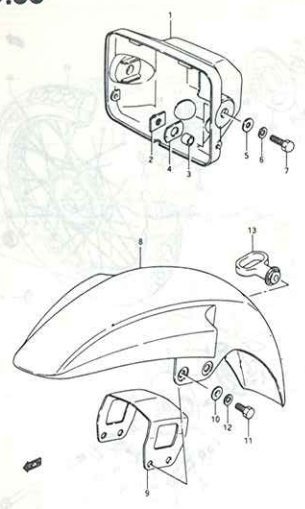


FIG.34

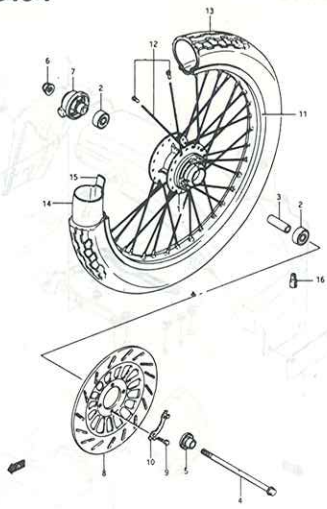


FIG.35

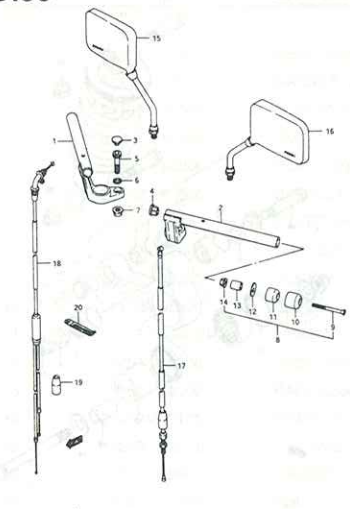


FIG.36

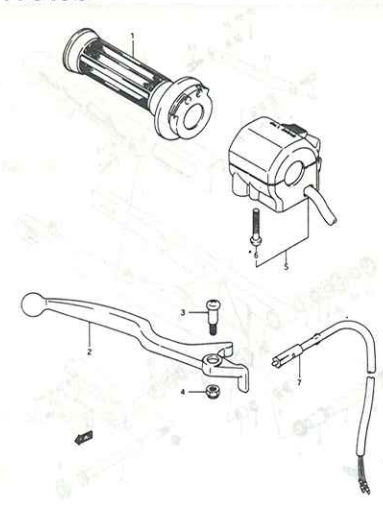


FIG.37

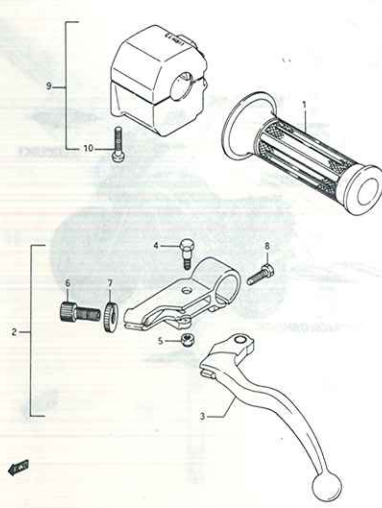


FIG.38

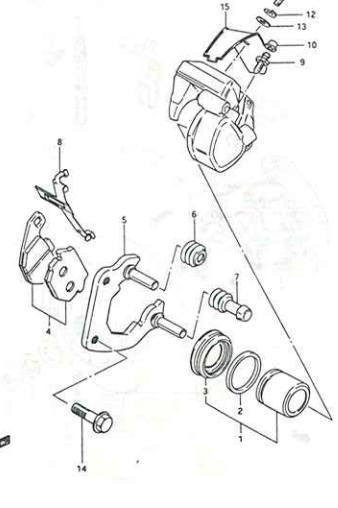


FIG.39

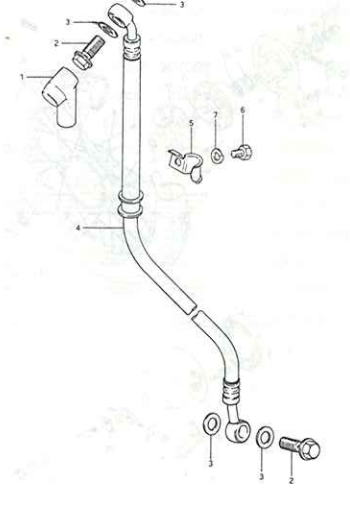


FIG.40

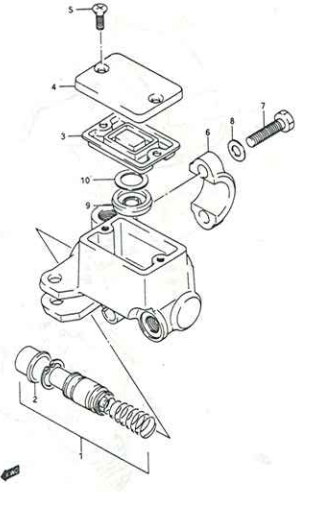


FIG.41

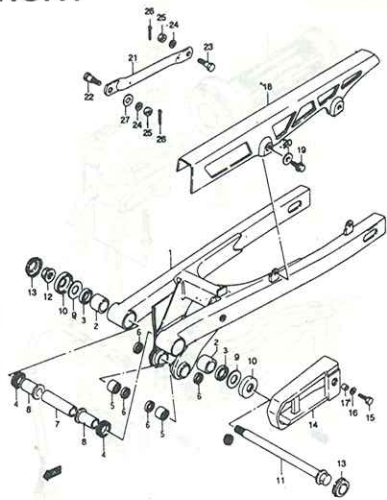


FIG.42

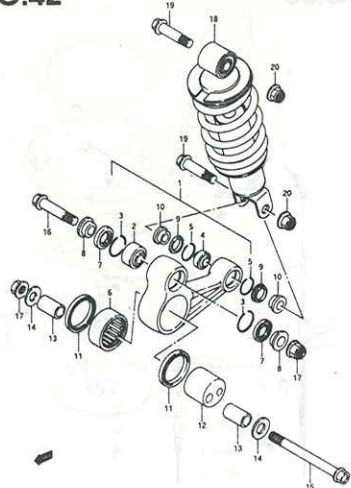


FIG.43

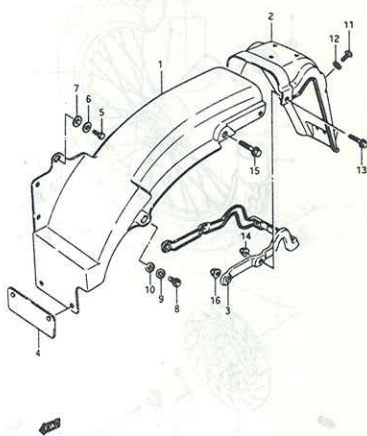


FIG.44

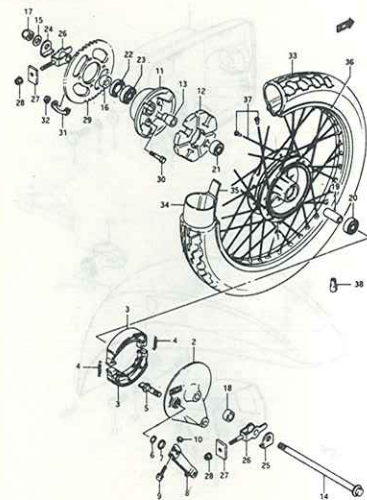


FIG.45

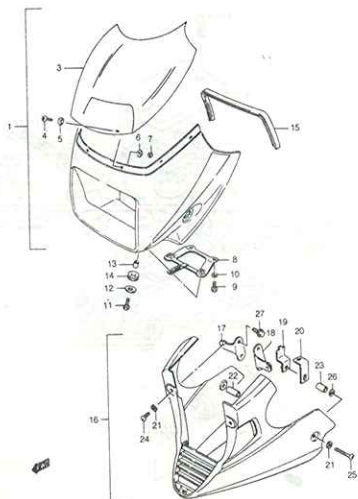


FIG.46

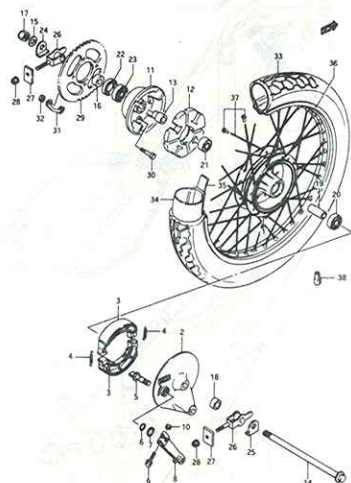


FIG.47

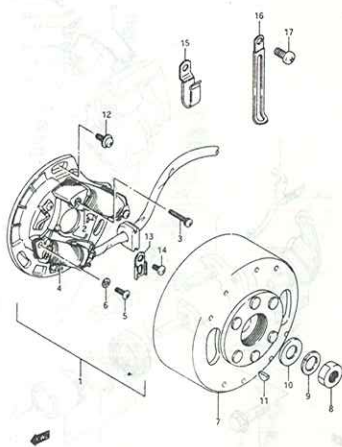


FIG.48



FIG. 1

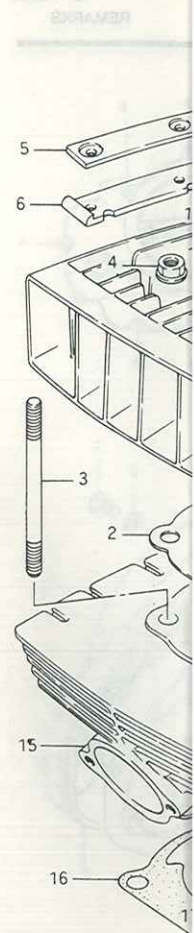


FIG. 1

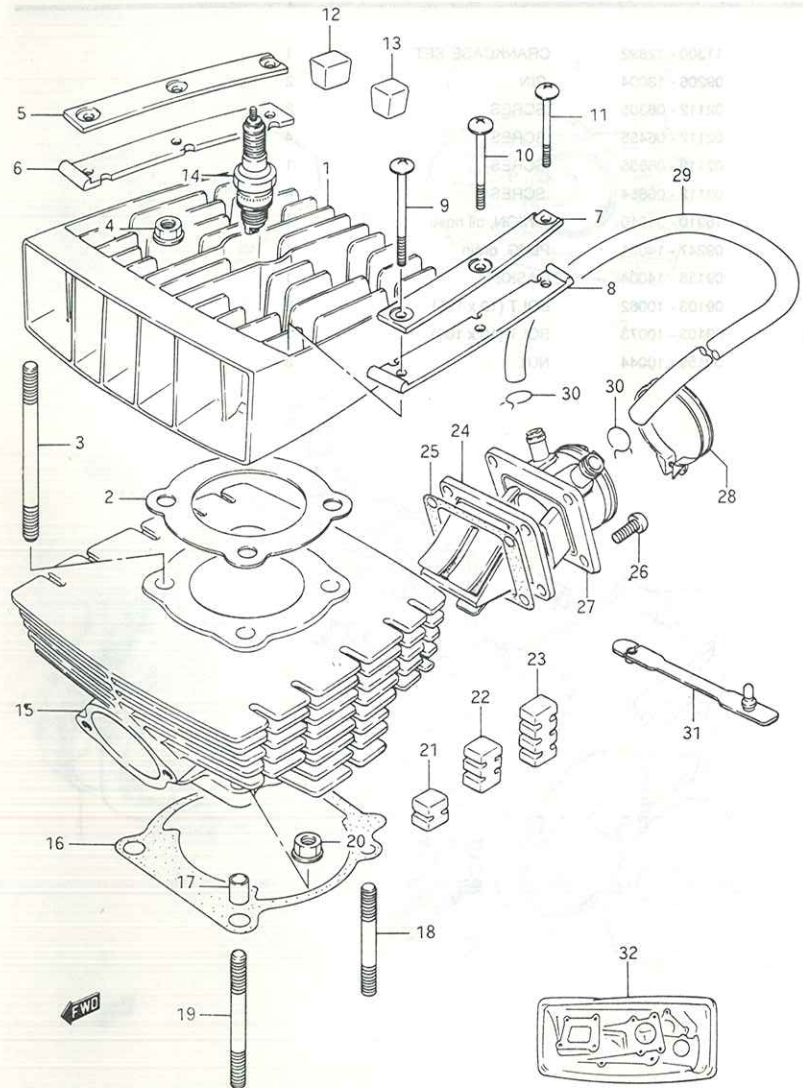


FIG. 1 (B-2) CYLINDER

REF. NO.	PART NO.	DESCRIPTION	Q'TY	REMARKS
1	11111 - 12B11	HEAD, cylinder	1	
2	11141 - 12B01	GASKET, cylinder head	1	
3	09108 - 08144	STUD BOLT (8 x 40)	4	
4	08316 - 16088	NUT	4	
5	11114 - 12B00	PLATE, cylinder head RH	1	
6	11112 - 12B00	DAMPER, RH	1	
7	11115 - 12B00	PLATE, cylinder head LH	1	
8	11113 - 12B00	DAMPER, LH	1	
9	02142 - 05605	SCREW	2	
10	02142 - 05505	SCREW	2	
11	02142 - 05455	SCREW	2	
12	11251 - 29300	PAD, rubber	10	
13	11151 - 40900	PAD, rubber	10	
14	09482M00175	SPARK PLUG (NGK, BP8ES)	1	
15	11210 - 12B10	CYLINDER	1	
16	11241 - 12B01	GASKET, cylinder	1	
17	04211 - 11189	PIN	2	
18	01421 - 08255	STUD BOLT	2	
19	01421 - 08355	STUD BOLT	2	
20	08316 - 16085	NUT	4	
21	11251 - 36200	PAD, rubber (N: 7*2)	6	
22	11251 - 36200	PAD, rubber (N: 7*3)	4	
23	13150 - 36200	PAD, rubber (N: 7*4)	2	
24	13150 - 12B00	VALVE ASSY, reed	1	
25	13156 - 38100	GASKET, reas valve	1	
26	02112 - 06205	SCREW	4	
27	13110 - 12B00	PIPE, intake	1	
28	09402 - 44207	CLAMP	1	
29	13115 - 13A20	HOSE, interference (L:2000)	1	
30	09401 - 13301	CLIP	2	
31	09407 - 05407	CLAMP	4	
32	11400 - 12861	GASKET SET	1 OPT	

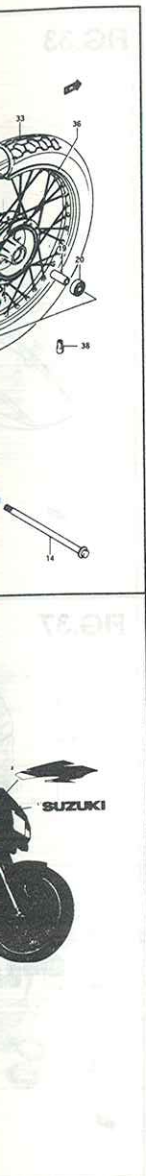




FIG. 2

2

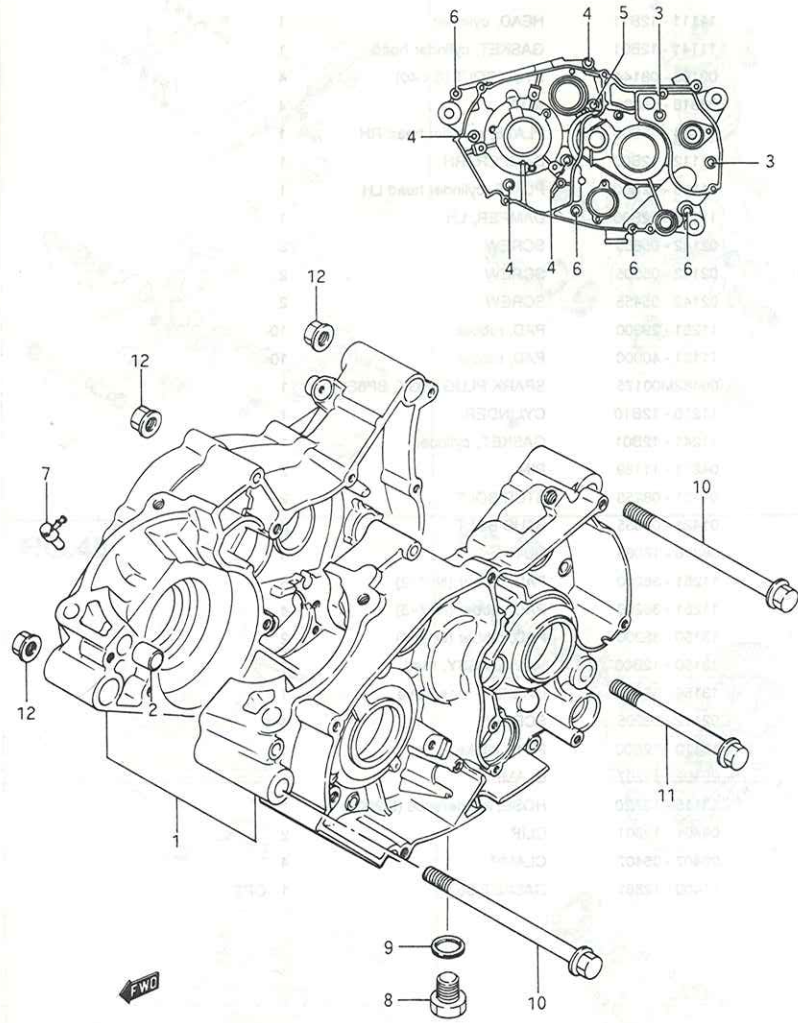
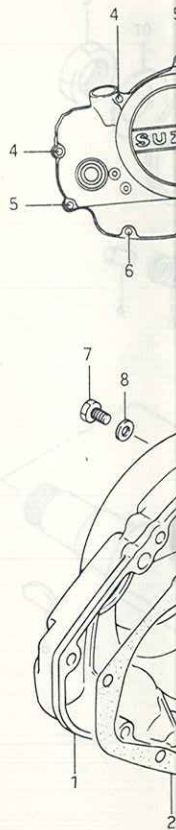


FIG. 2 (B-3) CRANKCASE

REF. NO.	PART NO.	DESCRIPTION	QTY	REMARKS
1	11300 - 12892	CRANKCASE SET	1	
2	09206 - 13004	.PIN	2	
3	02112 - 06305	.SCRES	2	
4	02112 - 06455	.SCRES	4	
5	02112 - 06555	.SCRES	1	
6	02112 - 06654	.SCRES	4	
7	16910 - 31010	.UNION, oil hose	1	
8	09247 - 14031	PLUG, drain	1	
9	09158 - 14004	GASKET	1	
10	09103 - 10062	BOLT (10 x 125)	2	
11	09103 - 10073	BOLT (10 x 100)	1	
12	09159 - 10044	NUT	3	

FIG. 3



FWD

REMARKS

FIG. 3

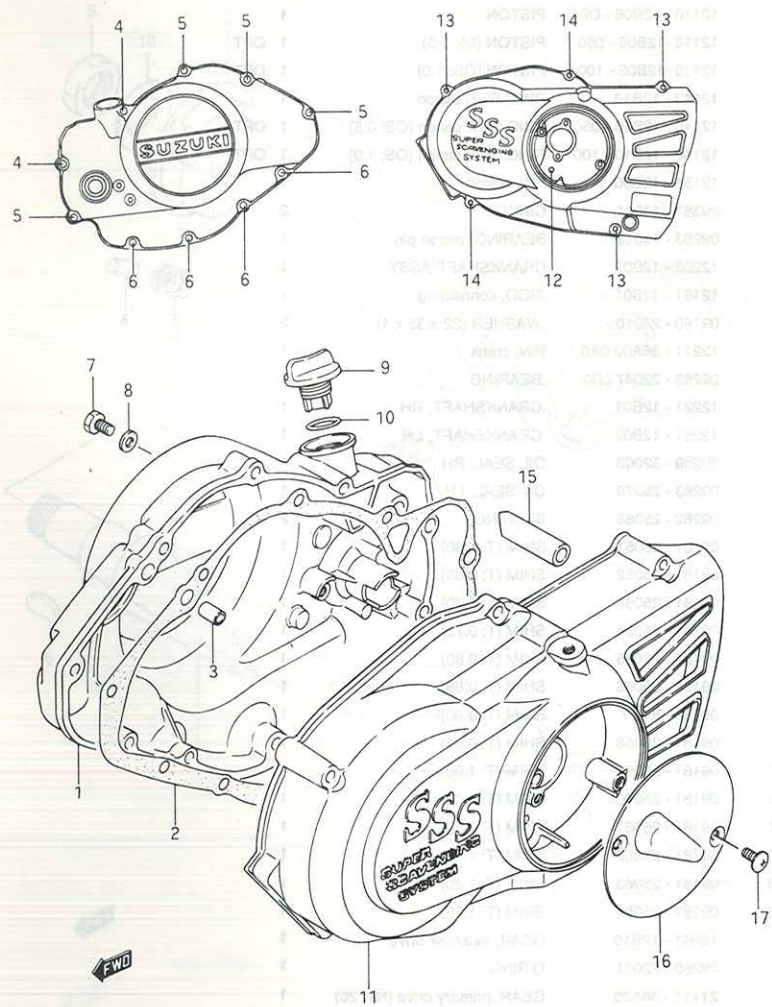


FIG. 3 (B-4) CRANKCASE COVER

REF. NO.	PART NO.	DESCRIPTION	QTY	REMARKS
1	11341 - 12B00	COVER, clutch	1	
2	11482 - 12B10	GASKET, clutch cover	1	
3	04211 - 09129	PIN	2	
4	02112 - 06504	SCREW	2	
5	02112 - 06305	SCREW	4	
6	02112 - 06255	SCREW	4	
7	09128 - 06037	PLUG, oil level	1	
8	09168 - 06001	GASKET	1	
9	11971 - 20A00	PLUG, oil filler	1	
10	09280 - 17003	O RING	1	
11	11351M12B00	COVER, magneto	1	
12	02112 - 05505	SCREW	1	
13	02112 - 05405	SCREW	3	
14	02112 - 05205	SCREW	2	
15	11391 - 12B00	CUSHION, magneto cover	1	
16	11387 - 36A00	CAP, clutch release	1	
17	02132 - 05105	SCREW	2	

FIG. 4

2

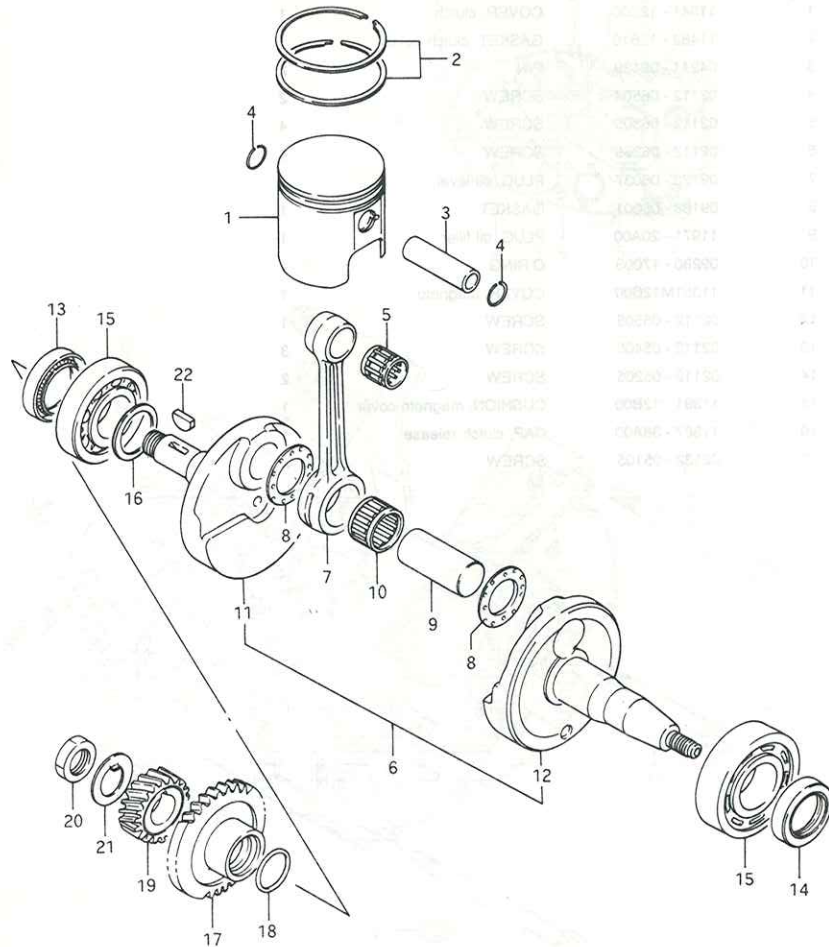
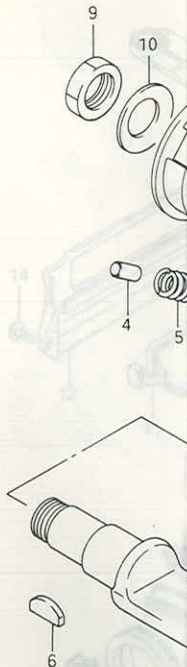


FIG. 4 (B-5) CRANKSHAFT

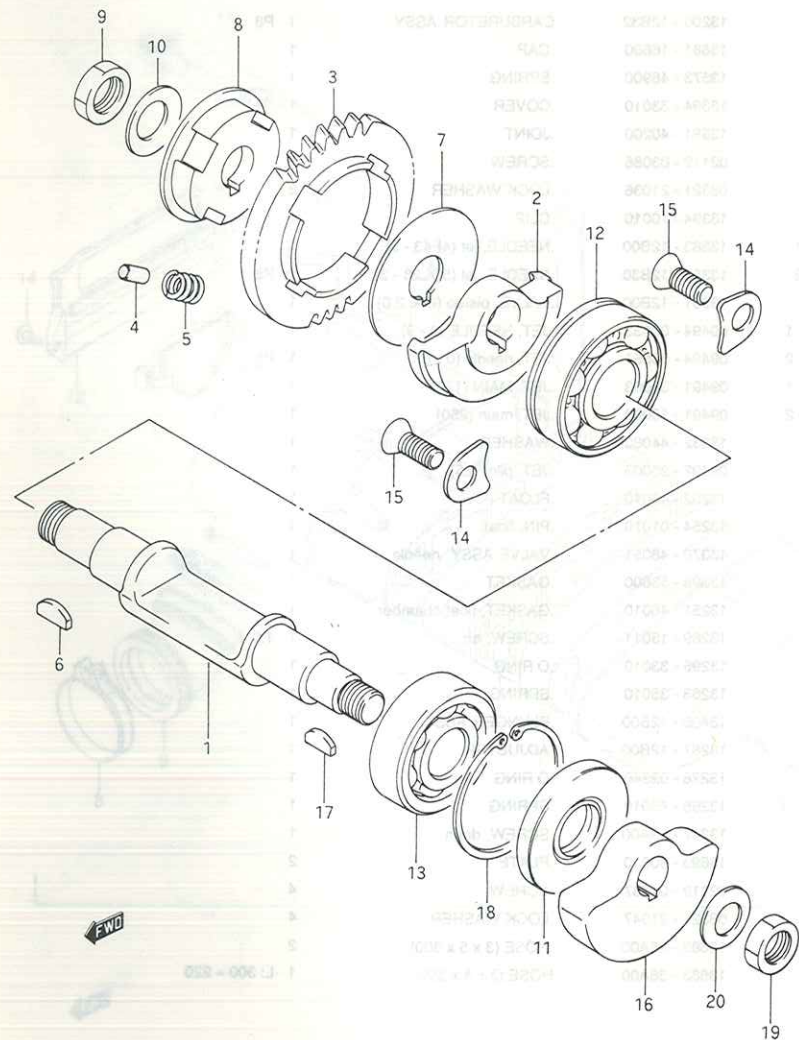
REF. NO.	PART NO.	DESCRIPTION	QTY	REMARKS
1 - 1	12110 - 12B06 - OFO	PISTON	1	
1 - 2	12110 - 12B06 - 050	PISTON (OS: 0.5)	1	OPT
1 - 3	12110 - 12B06 - 100	PISTON (OS: 1.0)	1	OPT
2 - 1	12140 - 12B10	RING SET, piston	1	
2 - 2	12140 - 12B10 - 050	RING SET, piston (OS: 0.5)	1	OPT
2 - 3	12140 - 12B10 - 100	RING SET, piston (OS: 1.0)	1	OPT
3	12151 - 12B00	PIN, piston	1	
4	09381 - 14001	CIRCLIP	2	
5	09263 - 14019	BEARING, piston pin	1	
6	12200 - 12B02	CRANKSHAFT ASSY	1	
7	12161 - 12B01	.ROD, connecting	1	
8	09160 - 22010	.WASHER (22 x 35 x 1)	2	
9	12211 - 36A00 0A0	PIN, crank	1	
10	09263 - 22047 0B0	.BEARING	1	
11	12221 - 12B01	.CRANKSHAFT, RH	1	
12	12261 - 12B02	.CRANKSHAFT, LH	1	
13	09289 - 32003	OIL SEAL, RH	1	
14	09283 - 25079	OIL SEAL, LH	1	
15	09262 - 25086	BEARING	2	
16 - 1	09181 - 25051	SHIM (T: 0.60)	1	
16 - 2	09181 - 25052	SHIM (T: 0.65)	1	
16 - 3	09181 - 25053	SHIM (T: 0.70)	1	
16 - 4	09181 - 25054	SHIM (T: 0.75)	1	
16 - 5	09181 - 25055	SHIM (T: 0.80)	1	
16 - 6	09181 - 25056	SHIM (T: 0.85)	1	
16 - 7	09181 - 25057	SHIM (T: 0.90)	1	
16 - 8	09181 - 25058	SHIM (T: 0.95)	1	
16 - 9	09181 - 25059	SHIM (T: 1.00)	1	
16 - 10	09181 - 25060	SHIM (T: 1.05)	1	
16 - 11	09181 - 25061	SHIM (T: 1.10)	1	
16 - 12	09181 - 25062	SHIM (T: 1.15)	1	
16 - 13	09181 - 25063	SHIM (T: 1.20)	1	
16 - 14	09181 - 25064	SHIM (T: 1.25)	1	
17	12661 - 12B10	GEAR, valancer drive	1	
18	09280 - 22001	O RING	1	
19	21111 - 36A00	GEAR, primary drive (NT: 20)	1	
20	09140 - 16002	NUT	1	
21	09166 - 16009	WASHER	1	
22	08341 - 31059	KEY	1	
23	12105 - 12B31	CON-Rod Set	1	(Ref. No. 5, 7, 8, 9 & 10)

FIG. 5



REMARKS

FIG. 5



FWD



(5, 7, 8, 9 & 10)

FIG. 5 (B-6) CRANK BALANCER

REF. NO.	PART NO.	DESCRIPTION	QTY	REMARKS
1	12651 - 12B01	BALANCER, crank	1	
2	12654 - 12B00	WEIGHT, crank balancer RH	1	
3	12666 - 12B10	GEAR, balancer driven 9NT: 31)	1	
4	09202 - 05027	PIN	2	
5	09440 - 09028	SPRING	4	
6	08341 - 31049	KEY	1	
7	09166 - 17006	WASHER	1	
8	12669 - 12B01	RACE, driven gear inner	1	
9	09140 - 12031	NUT	1	
10	09164 - 12020	WASHER	1	
11	09283 - 17016	OIL SEAL	1	
12	09262 - 17028	BEARING, RH	1	
13	09262 - 17029	BEARING, LH	1	
14	12542 - 12B00	RETAINER, bearing	2	
15	09126 - 06007	SCREW (6 x 14)	2	
16	12653 - 12B00	WEIGHT, crank balancer LH	1	
17	08341 - 31039	KEY	1	
18	08331 - 21409	CIRCLIP	1	
19	09140 - 10026	NUT	1	
20	09164 - 10008	WASHER	1	

2

FIG. 6

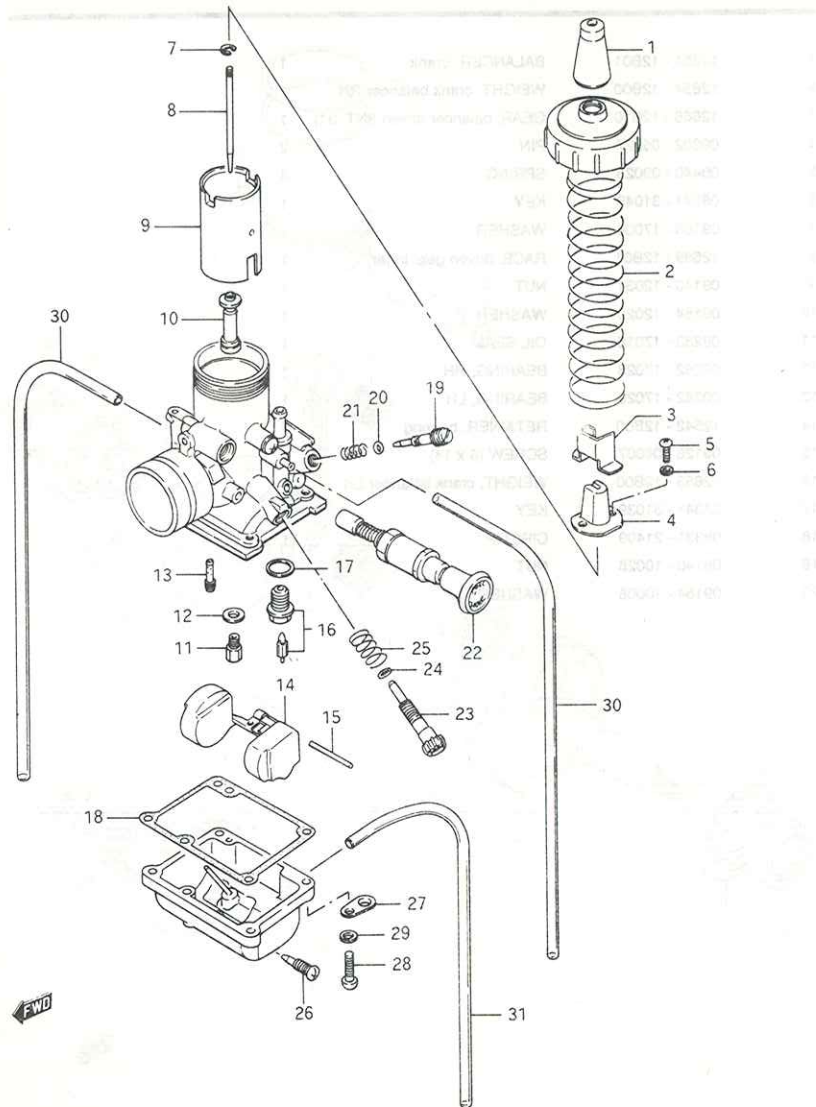


FIG. 6 (B-7) CARBURETOR

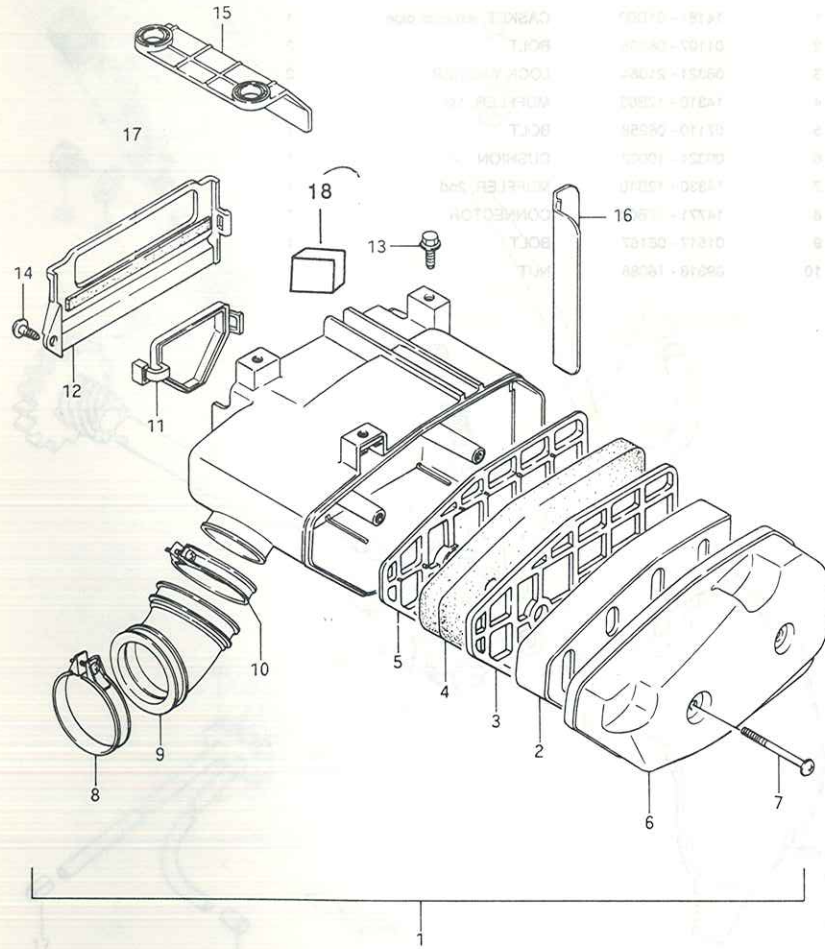
REF. NO.	PART NO.	DESCRIPTION	QTY	REMARKS
	13200 - 12B32	CARBURETOR ASSY	1 P8	
1	13681 - 16600	.CAP	1	
2	13573 - 46900	.SPRING	1	
3	13394 - 33010	.COVER	1	
4	13581 - 40200	.JOINT	1	
5	02112 - 03086	.SCREW	2	
6	08321 - 21036	.LOCK WASHER	2	
7	13394 - 10010	.CLIP	1	
8 - 1	13383 - 12B00	.NEEDLE, jet (4F43 - 3)	1	
8 - 2	13383 - 12B30	.NEEDLE, jet (5DL28 - 3)	1 P8	
9	13551 - 12B00	.VALVE, piston (CA: 2.0)	1	
10 - 1	09494 - 00533	.JET, NEEDLE (0 - 9)	1	
10 - 2	09494 - 00551	.JET, needle (0 - 6)	1 P8	
11 - 1	09491 - 38003	.JET, MAIN (190)	1	
11 - 2	09491 - 50003	.JET, main (250)	1	
12	13332 - 44080	.WASHER	1	
13	09492 - 25003	.JET, pilot (25)	1	
14	13252 - 46010	.FLOAT	1	
15	13254 - 01010	.PIN, float	1	
16	13370 - 48051	.VALVE ASSY, needle	1	
17	13392 - 58600	.GASKET	1	
18	13251 - 46010	.GASKET, float chamber	1	
19	13269 - 15011	.SCREW, air	1 1.0	
20	13295 - 33010	.O RING	1	
21	13268 - 35010	.SPRING	1	
22	13400 - 12B00	.PLUNGER ASSY	1	
23	13267 - 12B00	.ADJUSTER	1	
24	13278 - 02340	.O RING	1	
25	13268 - 46010	.SPRING	1	
26	13247 - 13A00	.SCREW, drain	1	
27	13693 - 30010	.PLATE	2	
28	02112 - 04167	.SCREW	4	
29	08321 - 21047	.LOCK WASHER	4	
30	13683 - 36A00	.HOSE (3 x 5 x 300)	2	
31	13683 - 36A00	HOSE (3 x 5 x 300)	1 L: 300 x 220	

FIG. 7



REMARKS

FIG. 7



FWD



FIG. 7 (B-8) AIR CLEANER

REF. NO.	PART NO.	DESCRIPTION	QTY	REMARKS
1	13700 - 12B00	CLEANER ASSY, air	1	
2	13729 - 12B00	.SEPARTER	1	
3	13792 - 12B00	.HOLDER, outer	1	
4	13781 - 12B00	.FILTER	1	
5	13791 - 12B00	.HOLDER, inner	1	
6	13740 - 12B00	.CAP	1	
7	02142 - 05505	.SCREW	2	
8	09402 - 50207	.CLAMP	1	
9	13881 - 12B00	.TUBE, outlet	1	
10	09402 - 56207	.CLAMP	1	
11	47432 - 12B00	.CAP, tool holder	1	
12	13847 - 12B00	.HOLDER, battery	1	
13	01517 - 06108	BOLT	3	
14	02142 - 06126	SCREW	1	
15	13735 - 12B00	GUARD, water	1	
16	13736 - 12B00	GUARD, water rear	1	
17	13737M12B00	CUSHION BATTERY COVER	1	
18	33652M31C00	PROTECTOR	1	

2

FIG. 8

2

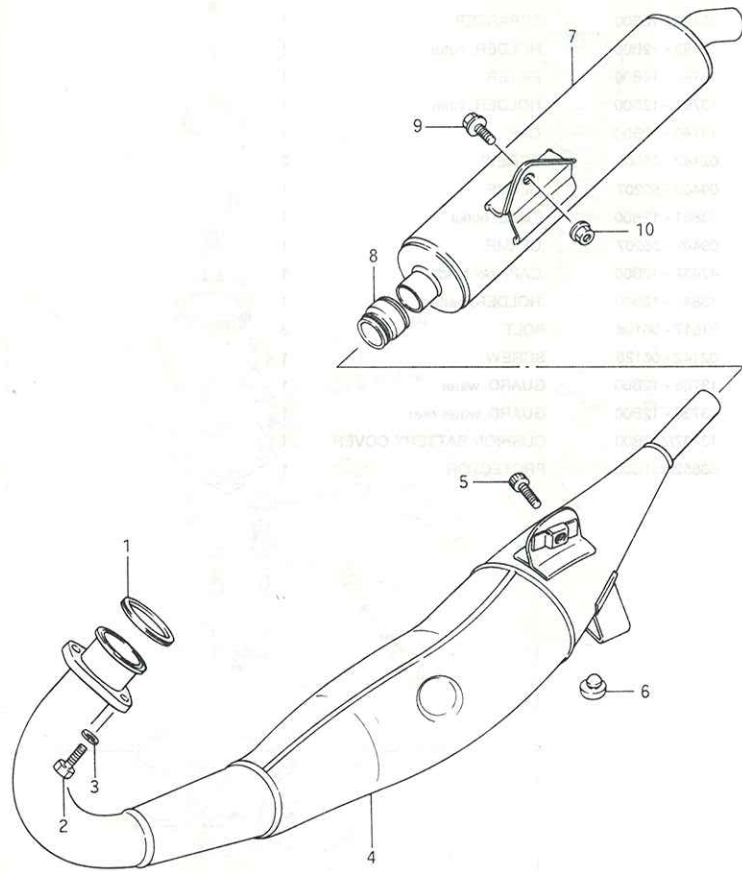


FIG. 8 (B-9) MUFFLER

REF. NO.	PART NO.	DESCRIPTION	QTY	REMARKS
1	14181 - 01D00	CASKET, exhaust pipe	1	
2	01107 - 08255	BOLT	2	
3	08321 - 21084	LOCK WASHER	2	
4	14310 - 12B03	MUFFLER, 1st	1	
5	07110 - 08258	BOLT	1	
6	09321 - 10002	CUSHION	1	
7	14330 - 12B10	MUFFLER, 2nd	1	
8	14771 - 12B00	CONNECTOR	1	
9	01517 - 08167	BOLT	1	
10	09316 - 16088	NUT	1	

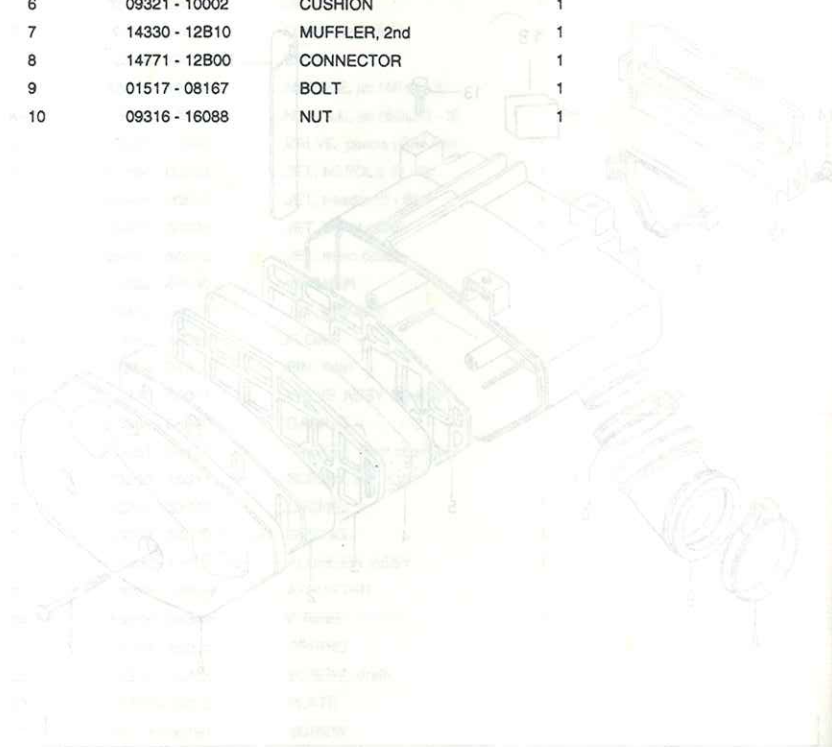
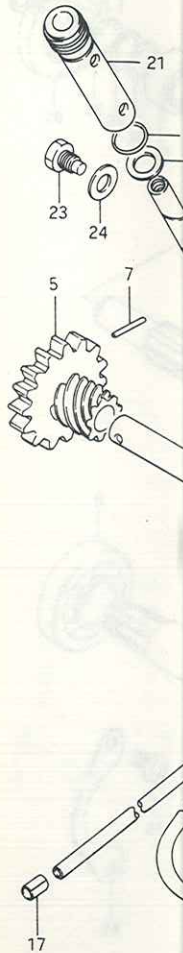


FIG. 9



REMARKS

FIG. 9

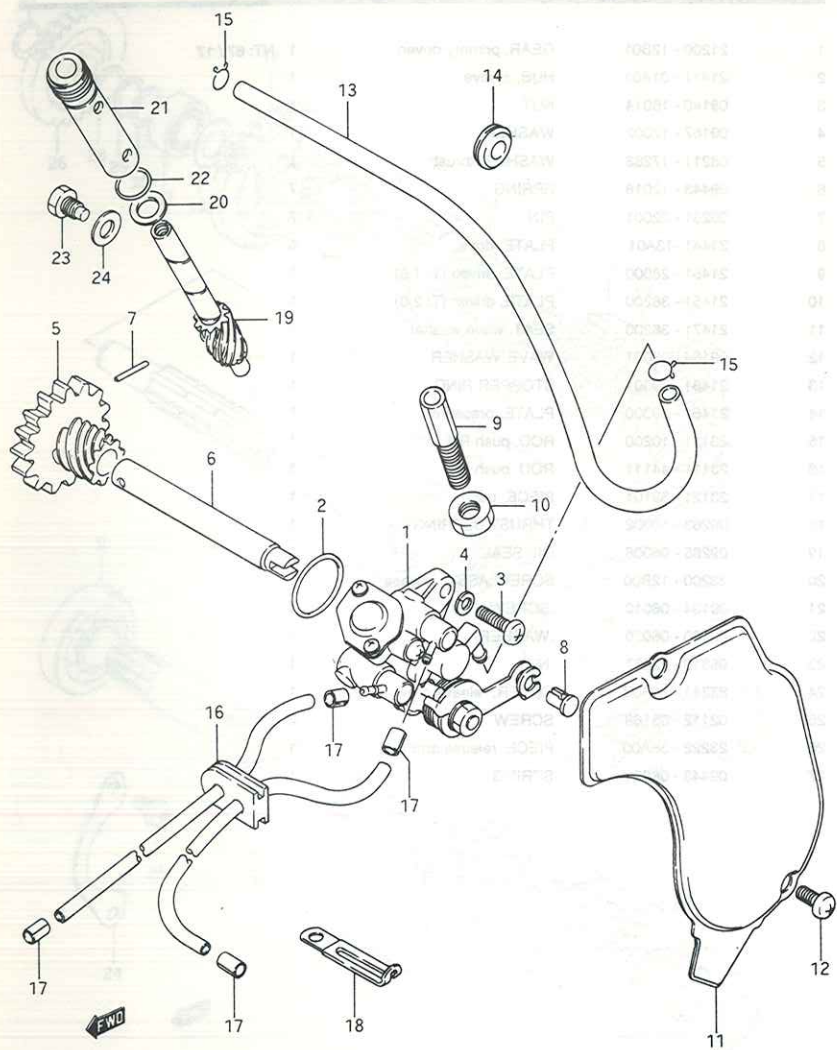


FIG. 9 (B-10) OIL PUMP

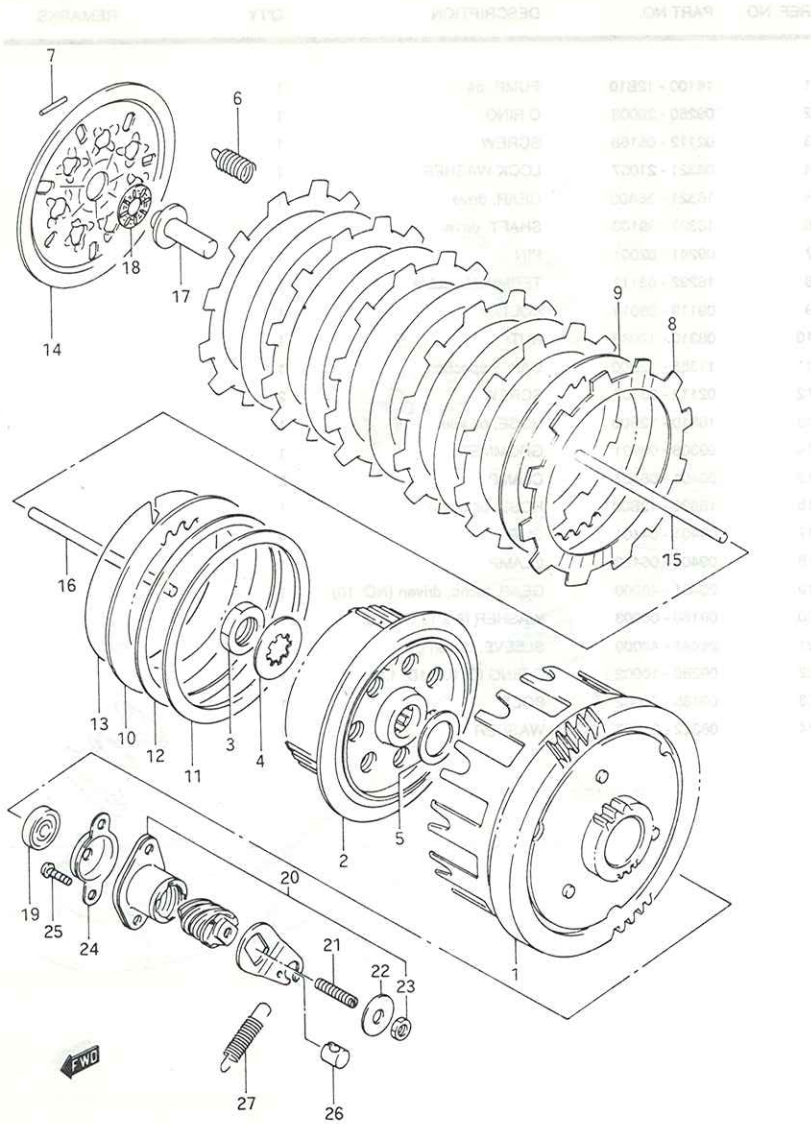
REF. NO.	PART NO.	DESCRIPTION	QTY	REMARKS
1	16100 - 12B10	PUMP, oil	1	
2	09280 - 20003	O RING	1	
3	02112 - 05168	SCREW	1	
4	08321 - 21057	LOCK WASHER	1	
5	16321 - 36A00	GEAR, drive	1	
6	16322 - 39100	SHAFT, drive	1	
7	09261 - 02001	PIN	1	
8	16292 - 03112	TERMINAL, cable	1	
9	09119 - 08014	BOLT	1	
10	08310 - 12088	NUT	1	
11	11385 - 12B00	CAP, inspection	1	
12	02112 - 05107	SCREW	2	
13	16810 - 12B00	HOSE, oil inlet	1	
14	09308 - 08001	GROMMET	1	
15	09401 - 08401	CLAMP	2	
16	16820 - 12B00	HOSE, oil outlet	1	
17	09401 - 04401	CLIP	4	
18	09404 - 06422	CLAMP	1	
19	26431 - 48000	GEAR, tacho, driven (NO: 10)	1	
20	09160 - 08003	WASHER (8 x 13.7 x 1.0)	1	
21	26441 - 48000	SLEEVE, driven gear	1	
22	09280 - 10002	O RING (D: 9.6, 1D: 1.3)	1	
23	09135 - 06002	BOLT	1	
24	08322 - 21067	WASHER	1	

2

TRT



FIG. 10



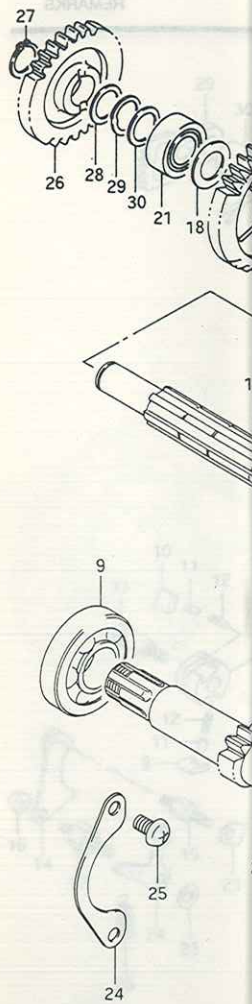
2



FIG. 10 (C-2) CLUTCH

REF. NO.	PART NO.	DESCRIPTION	QTY	REMARKS
1	21200 - 12B01	GEAR, primary driven	1	NT: 67 / 17
2	21411 - 01A01	HUB, sleeve	1	
3	09140 - 16014	NUT	1	
4	09167 - 17002	WASHER	1	
5	08211 - 17283	WASHER, thrust	1	
6	09443 - 12018	SPRING	7	
7	09261 - 02001	PIN	7	
8	21441 - 13A01	PLATE, drive	6	
9	21451 - 28000	PLATE, driven (T: 1.6)	5	
10	21451 - 36200	PLATE, driven (T: 2.0)	1	
11	21471 - 36200	SEAT, wave washer	1	
12	09164 - 98001	WAVE WASHER	1	
13	21481 - 39301	STOPPER RING	1	
14	21461 - 39300	PLATE, pressure	1	
15	23111 - 10200	ROD, push RH	1	
16	23111 - 44111	ROD, push LH	1	
17	23121 - 39101	PIECE, push	1	
18	09263 - 10002	THRUST BEARING	1	
19	09285 - 06006	OIL SEAL	1	
20	23200 - 12B00	SCREW ASSY, release	1	
21	09134 - 06010	.SCREW	1	
22	09160 - 06020	.WASHER	1	
23	08310 - 22067	.NUT	1	
24	23241 - 36A00	COVER, release crew	1	
25	02112 - 05168	SCREW	2	
26	23222 - 36A00	PIECE, release arm end	1	
27	09443 - 08001	SPRING	1	

FIG. 11



REMARKS

FIG. 11

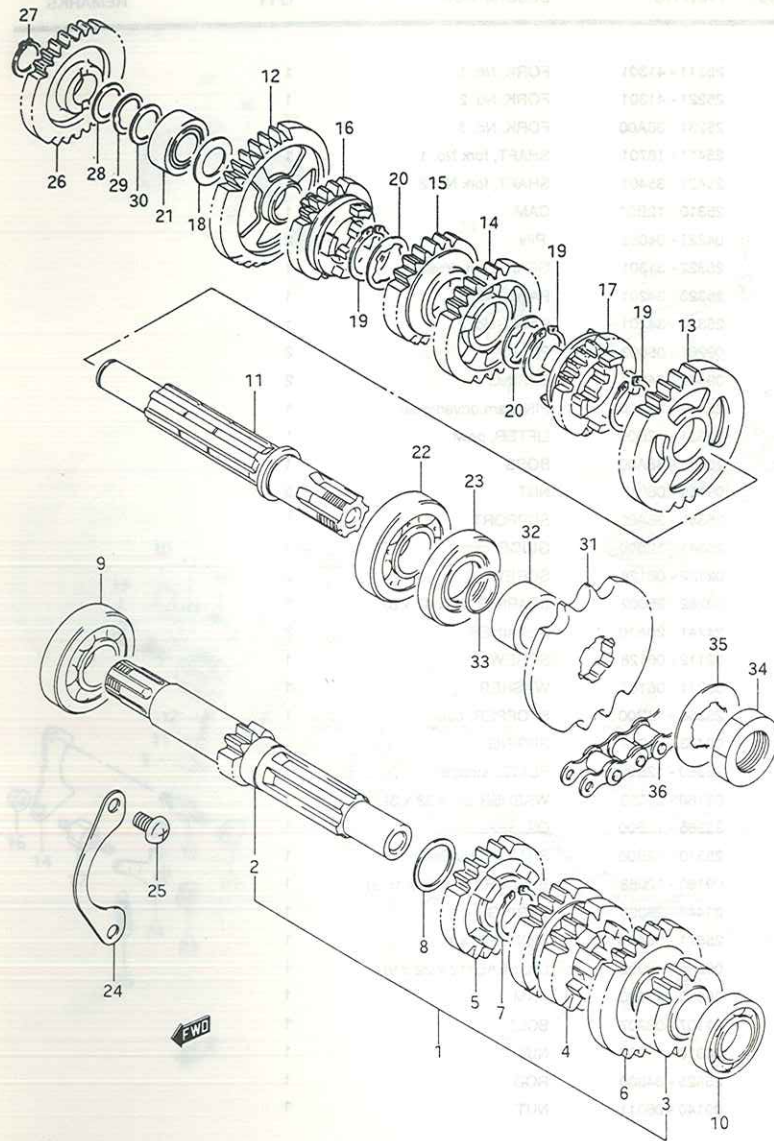


FIG. 11 (C-3) TRANSMISSION

REF. NO.	PART NO.	DESCRIPTION	QTY	REMARKS
1	24120 - 12B00	COUNTERSHAFT ASSY	1	
2	24121 - 12B00	.COUNTERSHAFT (NT: 12)	1	
3	24221 - 48700	.GEAR, 2nd drive (NT: 14)	1	
4	24231 - 36A00	.GEAR, 3/4 drive 9NT: 19 / 241)	1	
5	24251 - 48712	.GEAR, 5th drive (NT: 23)	1	
6	24260 - 36A00	.GEAR, 6th drive (NT: 25)	1	
7	09380 - 20007	.CIRCLIP	1	
8	08211 - 20261	.WASHER	1	
9	09262 - 20062	BEARING, RH	1	
10	08113 - 60020	BEARING, LH	1	
11	24131 - 12B01	DRIVESHAFT	1	
12	24310 - 01A01	GEAR, 1st driven (NT: 33)	1	
13	24321 - 48700	GEAR, 2nd driven (NT: 26)	1	
14	24331 - 48700	GEAR, 3rd driven (NT: 26)	1	
15	24341 - 01A01	GEAR, 4th driven (NT: 23)	1	
16	24351 - 48710	GEAR, 5th driven (NT: 22)	1	
17	24361 - 36A00	GEAR, 6th driven (NT: 21)	1	
18	08211 - 15261	WASHER	1	
19	09380 - 20007	CIRCLIP	3	
20	09167 - 20011	WASHER	2	
21	09263 - 15024	BEARING, RH	1	
22	09262 - 20062	BEARING, LH	1	
23	09283 - 27012	OIL SEAL (27 x 38 x 5)	1	
24	24741 - 12B00	RETAINER, bearing	1	
25	02112 - 06128	SCREW	2	
26	26260 - 36A01	GEAR, kick idle (NT: 29)	1	
27	08331 - 31159	CIRCLIP	1	
28	08221 - 15205	WASHER, thrust	1	
29	09164 - 16003	WAVE WASHER	1	
30	08211 - 15201	WASHER	1	
31	27511 - 13700	SPROCKET, engine (NT: 14)	1	
32	09180 - 20080	SPACER ( 20 x 27 x 13.1)	1	
33	09280 - 20001	O RING (D: 1, 1D: 19.5)	1	
34	09140 - 20001	NUT	1	
35	09167 - 20006	WASHER	1	
36	27600M12B20 - 124	CHAIN, drive (428VCA x 124L)	1	

2

FIG. 12

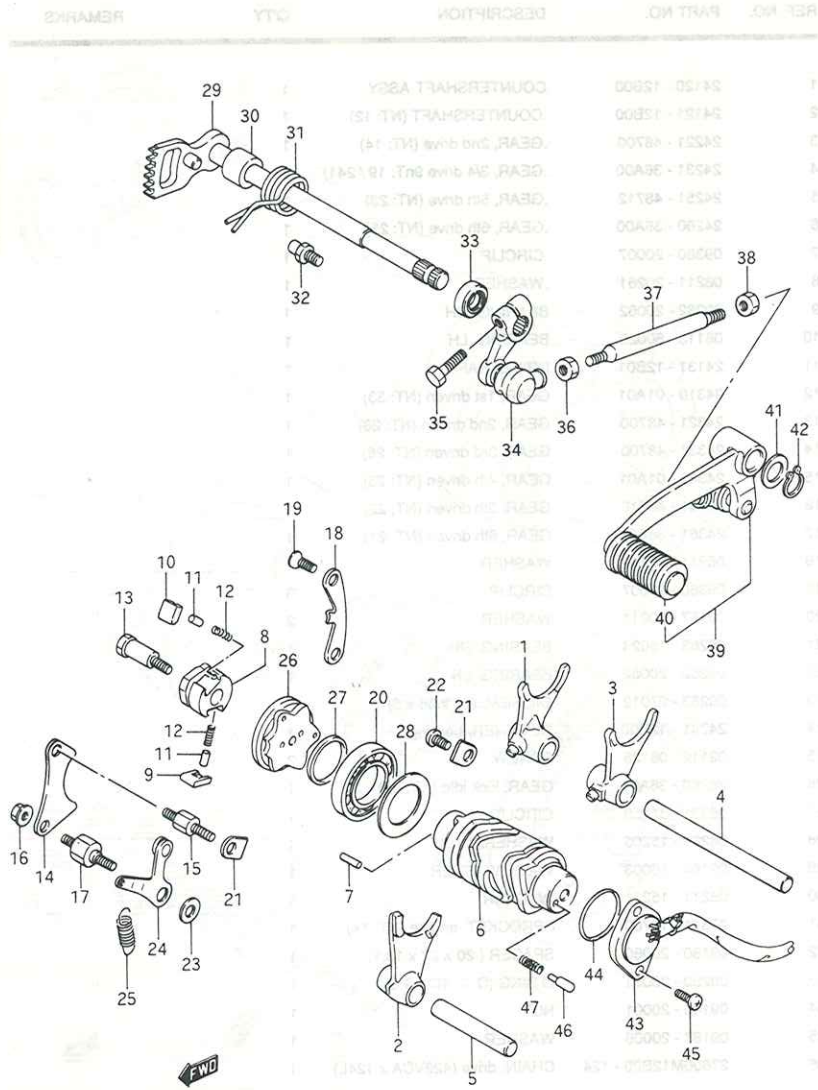
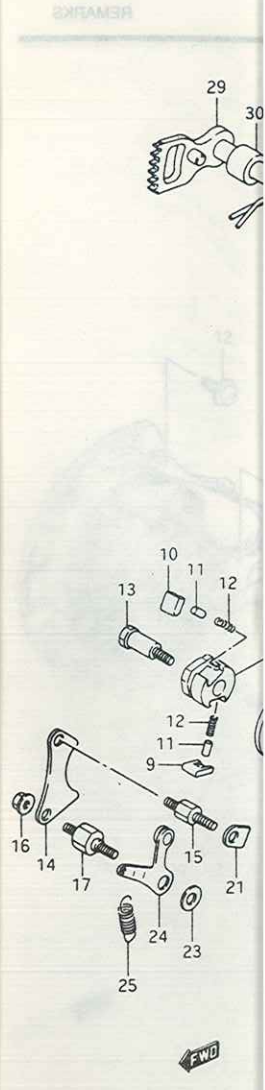


FIG. 12 (C-4) GEAR SHIFTING

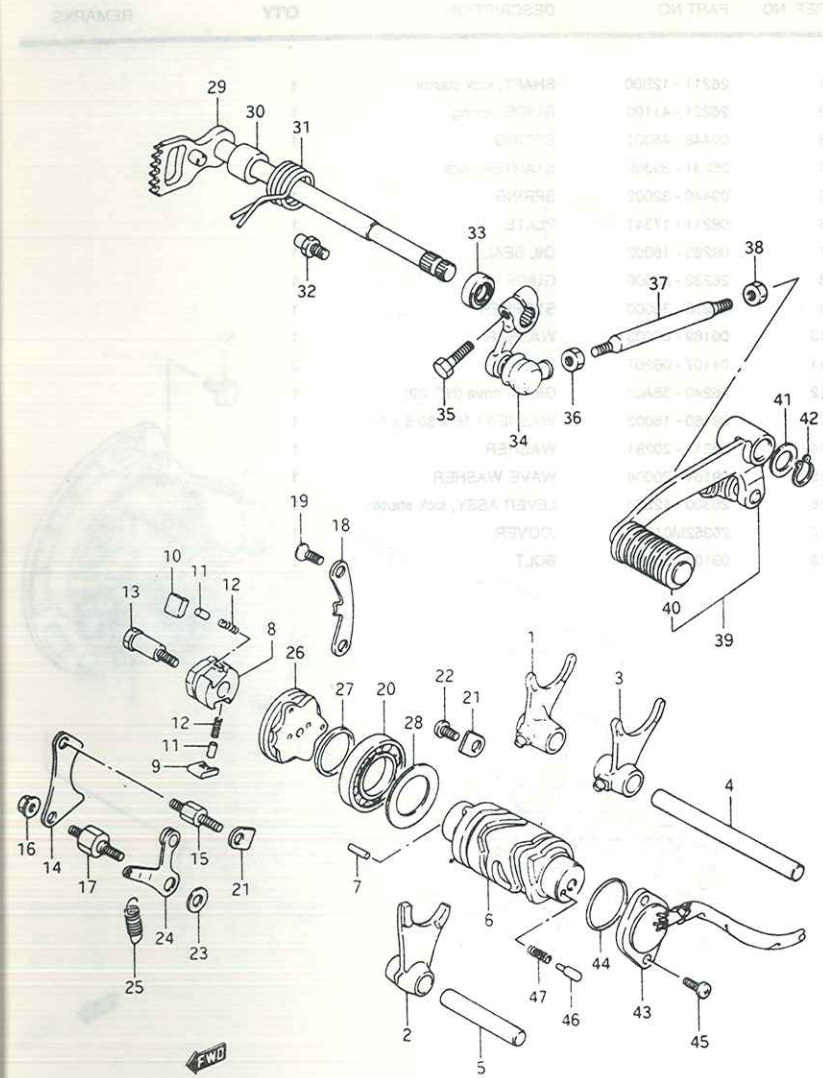
REF. NO.	PART NO.	DESCRIPTION	QTY	REMARKS
1	25211 - 41301	FORK, No. 1	1	
2	25221 - 41301	FORK, No. 2	1	
3	25231 - 36A00	FORK, No. 3	1	
4	25411 - 16701	SHAFT, fork No. 1	1	
5	25421 - 35401	SHAFT, fork No. 2	1	
6	25310 - 12B01	CAM	1	
7	04221 - 04089	.PIN	2	
8	25322 - 31301	GEAR, cam driven	1	
9	25323 - 34201	PAWL, No. 1	1	
10	25324 - 34201	PAWL, No. 2	1	
11	09261 - 05003	PIN	2	
12	09440 - 04003	SPRING	2	
13	25312 - 38A00	PIN, cam driven gear	1	
14	25331 - 12B00	LIFTER, pawl	1	
15	25332 - 38A00	BOSS	1	
16	09159 - 06017	NUT	2	
17	25355 - 38A00	SUPPORT	1	
18	25341 - 12B00	GUIDE, cam	1	
19	02122 - 06128	SCREW	2	
20	09262 - 25002	BEARING (25 x 47 x 8)	1	
21	24741 - 20A10	RETAINER	2	
22	02112 - 06128	SCREW	1	
23	08211 - 06161	WASHER	1	
24	25350 - 12B00	STOPPER, cam	1	
25	09443 - 09039	SPRING	1	
26	25380 - 12B00	PLATE, stopper	1	
27	09160 - 25059	WASHER (25 x 32 x 3)	1	
28	25385 - 12B00	OIL SEAL	1	
29	25510 - 12B00	SHAFT, gear shifting	1	
30	09180 - 12083	SPACER (12 x 20 x 15.3)	1	
31	09444 - 26023	SPRING	1	
32	25671 - 36A00	STOPPER, arm	1	
33	09285 - 12002	OIL SEAL (12 x 22 x 9)	1	
34	25520 - 47020	ARM	1	
35	01107 - 06207	BOLT	1	
36	08310 - 11067	NUT	1	
37	25525 - 34300	ROD	1	
38	09140 - 06011	NUT	1	

FIG. 12



REMARKS

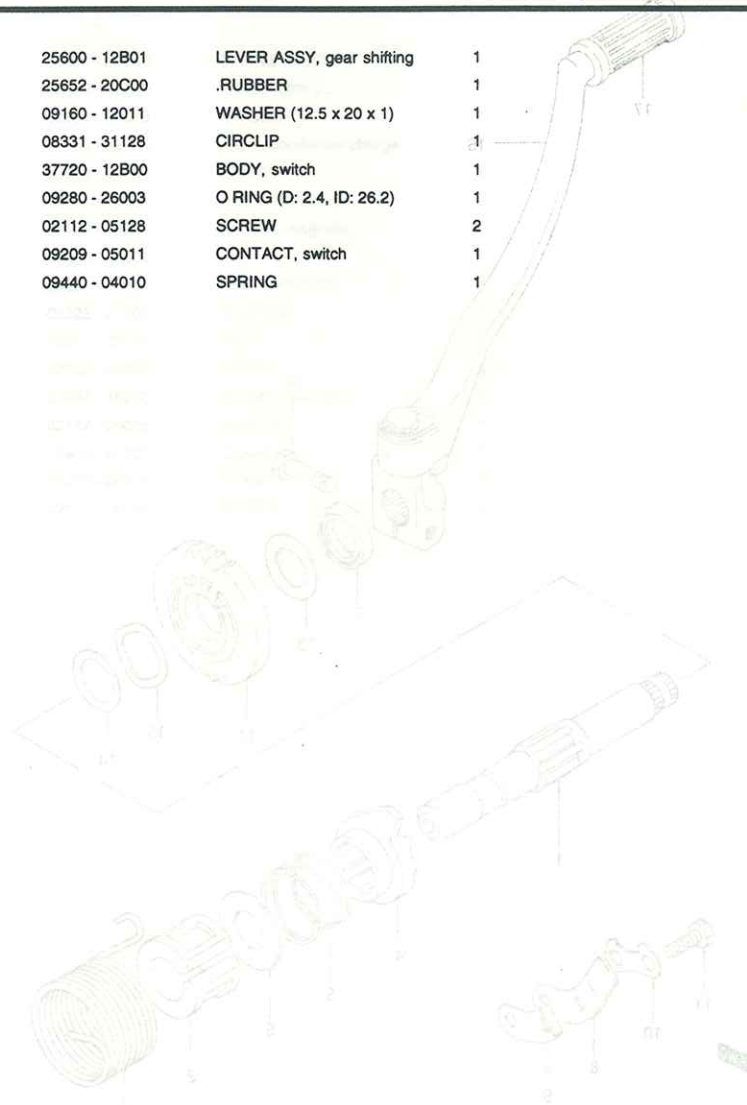
FIG. 12



TRX

FIG. 12 (C-5) GEAR SHIFTING

REF. NO.	PART NO.	DESCRIPTION	QTY	REMARKS
39	25600 - 12B01	LEVER ASSY, gear shifting	1	
40	25652 - 20C00	.RUBBER	1	
41	09160 - 12011	WASHER (12.5 x 20 x 1)	1	
42	08331 - 31128	CIRCLIP	1	
43	37720 - 12B00	BODY, switch	1	
44	09280 - 26003	O RING (D: 2.4, ID: 26.2)	1	
45	02112 - 05128	SCREW	2	
46	09209 - 05011	CONTACT, switch	1	
47	09440 - 04010	SPRING	1	



2

TRX

FIG. 13

REF. NO.	PART NO.	DESCRIPTION	QTY	REMARKS
1	26211 - 12B00	SHAFT, kick starter	1	
2	26221 - 41100	GUIDE, spring	1	
3	09448 - 45008	SPRING	1	
4	26231 - 39300	STARTER, kick	1	
5	09440 - 32002	SPRING	1	
6	08211 - 17341	PLATE	1	
7	09285 - 16002	OIL SEAL	1	
8	26232 - 30000	GUIDE	1	
9	26233 - 30000	STOPPER	1	
10	09169 - 06003	WASHER	1	
11	01107 - 06207	BOLT	2	
12	26240 - 36A01	GEAR, drive (NT: 29)	1	
13	09160 - 16003	WASHER ( 16 x 30.5 x 1)	1	
14	08211 - 20281	WASHER	1	
15	09164 - 20004	WAVE WASHER	1	
16	26300 - 12B01	LEVER ASSY, kick starter	1	
17	26352M01000	.COVER	1	
18	09100 - 08193	BOLT	1	

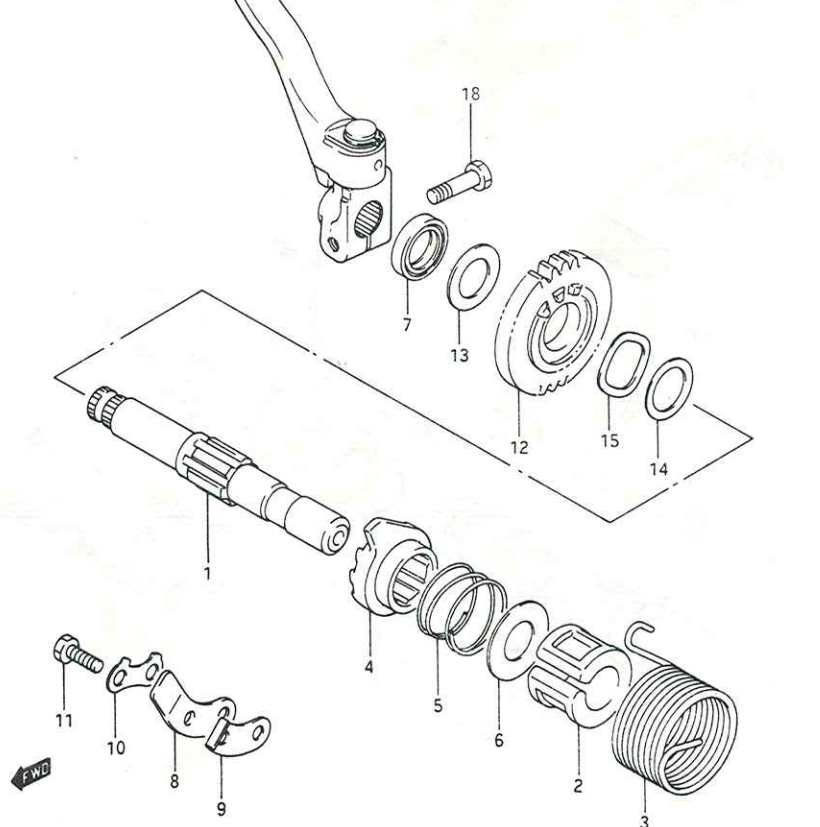
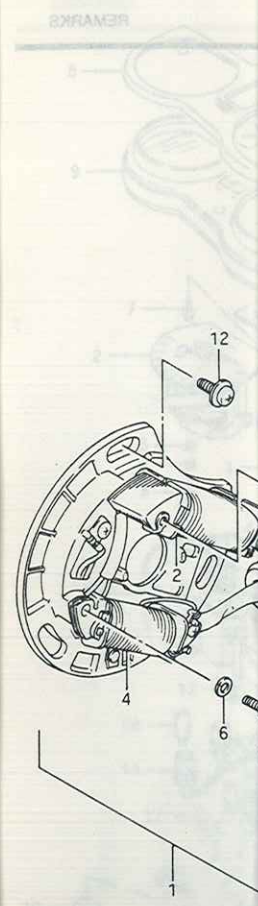


FIG. 13 (C-6) KICK STARTER

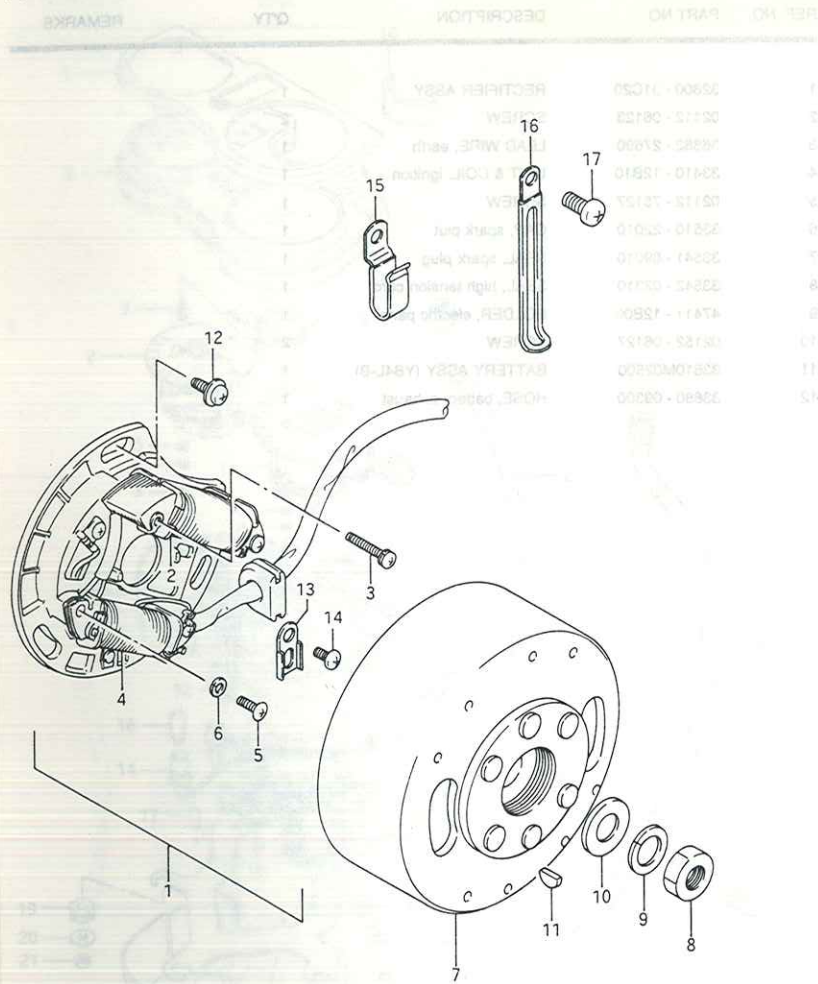
REF. NO.	PART NO.	DESCRIPTION	QTY	REMARKS
1	26211 - 12B00	SHAFT, kick starter	1	
2	26221 - 41100	GUIDE, spring	1	
3	09448 - 45008	SPRING	1	
4	26231 - 39300	STARTER, kick	1	
5	09440 - 32002	SPRING	1	
6	08211 - 17341	PLATE	1	
7	09285 - 16002	OIL SEAL	1	
8	26232 - 30000	GUIDE	1	
9	26233 - 30000	STOPPER	1	
10	09169 - 06003	WASHER	1	
11	01107 - 06207	BOLT	2	
12	26240 - 36A01	GEAR, drive (NT: 29)	1	
13	09160 - 16003	WASHER ( 16 x 30.5 x 1)	1	
14	08211 - 20281	WASHER	1	
15	09164 - 20004	WAVE WASHER	1	
16	26300 - 12B01	LEVER ASSY, kick starter	1	
17	26352M01000	.COVER	1	
18	09100 - 08193	BOLT	1	

FIG. 14



REMARKS

FIG. 14



REF. NO.	PART NO.	DESCRIPTION	QTY
1	32101 - 12B10	STATOR ASSY	1
2	32120 - 12B10	.COIL, lighting	1
3	32351 - 39210	.SCREW	2
4	32140 - 12B10	.COIL, condenser charge	1
5	02112 - 04167	.SCREW	2
6	08321 - 21047	.LOCK WASHER	2
7	32102 - 12B10	ROTOR, magneto	1
8	09140 - 10003	NUT	1
9	08321 - 21107	LOCK WASHER	1
10	08322 - 21108	WASHER	1
11	08341 - 31039	KEY	1
12	02152 - 05128	SCREW	3
13	31497 - 45000	CLAMP, lead wire	1
14	02112 - 05088	SCREW	1
15	09403 - 06307	CLAMP	1
16	09404 - 06415	CLAMP	1
17	02112 - 06108	SCREW	1

FIG. 14 (D-2) MAGNETO

REF. NO.	PART NO.	DESCRIPTION	QTY	REMARKS
1	32101 - 12B10	STATOR ASSY	1	
2	32120 - 12B10	.COIL, lighting	1	
3	32351 - 39210	.SCREW	2	
4	32140 - 12B10	.COIL, condenser charge	1	
5	02112 - 04167	.SCREW	2	
6	08321 - 21047	.LOCK WASHER	2	
7	32102 - 12B10	ROTOR, magneto	1	
8	09140 - 10003	NUT	1	
9	08321 - 21107	LOCK WASHER	1	
10	08322 - 21108	WASHER	1	
11	08341 - 31039	KEY	1	
12	02152 - 05128	SCREW	3	
13	31497 - 45000	CLAMP, lead wire	1	
14	02112 - 05088	SCREW	1	
15	09403 - 06307	CLAMP	1	
16	09404 - 06415	CLAMP	1	
17	02112 - 06108	SCREW	1	

3



FIG. 15

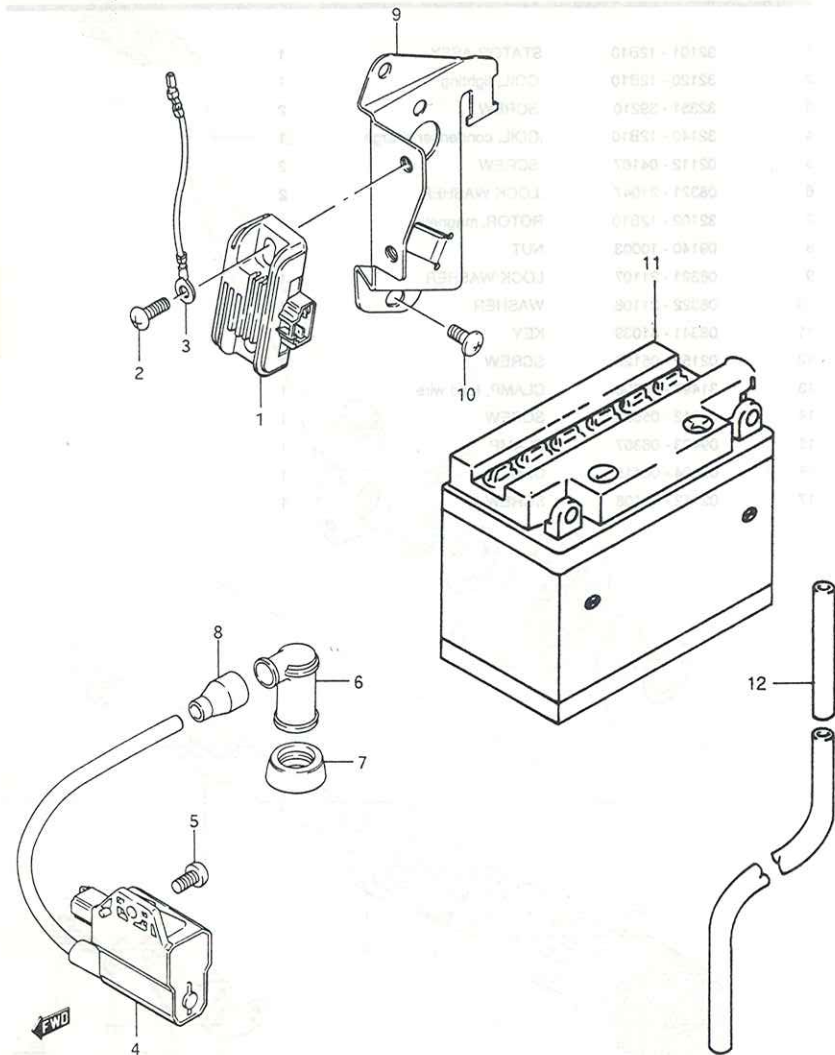
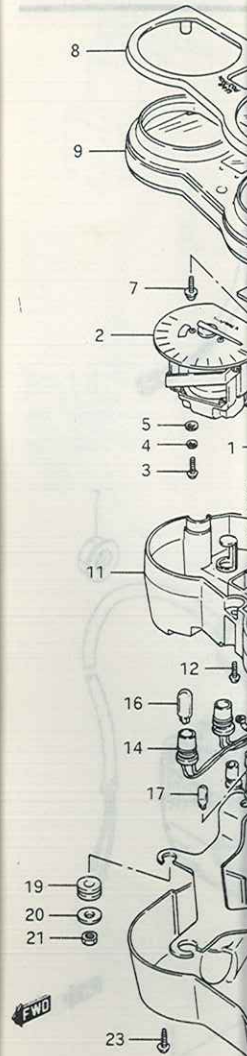


FIG. 15 (D-3) ELECTRICAL

REF. NO.	PART NO.	DESCRIPTION	Q'TY	REMARKS
1	32800 - 31C20	RECTIFIER ASSY	1	
2	02112 - 06123	SCREW	2	
3	36862 - 27690	LEAD WIRE, earth	1	
4	33410 - 12B10	UNIT & COIL, ignition	1	
5	02112 - 75127	SCREW	1	
6	33510 - 22010	CAP, spark plug	1	
7	33541 - 69010	SEAL, spark plug	1	
8	33542 - 02310	SEAL, high tension cord	1	
9	47411 - 12B00	HOLDER, electric parts	1	
10	02152 - 06127	SCREW	2	
11	33610M02500	BATTERY ASSY (YB4L-B)	1	
12	33680 - 09300	HOSE, battery exhaust	1	

FIG. 16



REMARKS

FIG. 16

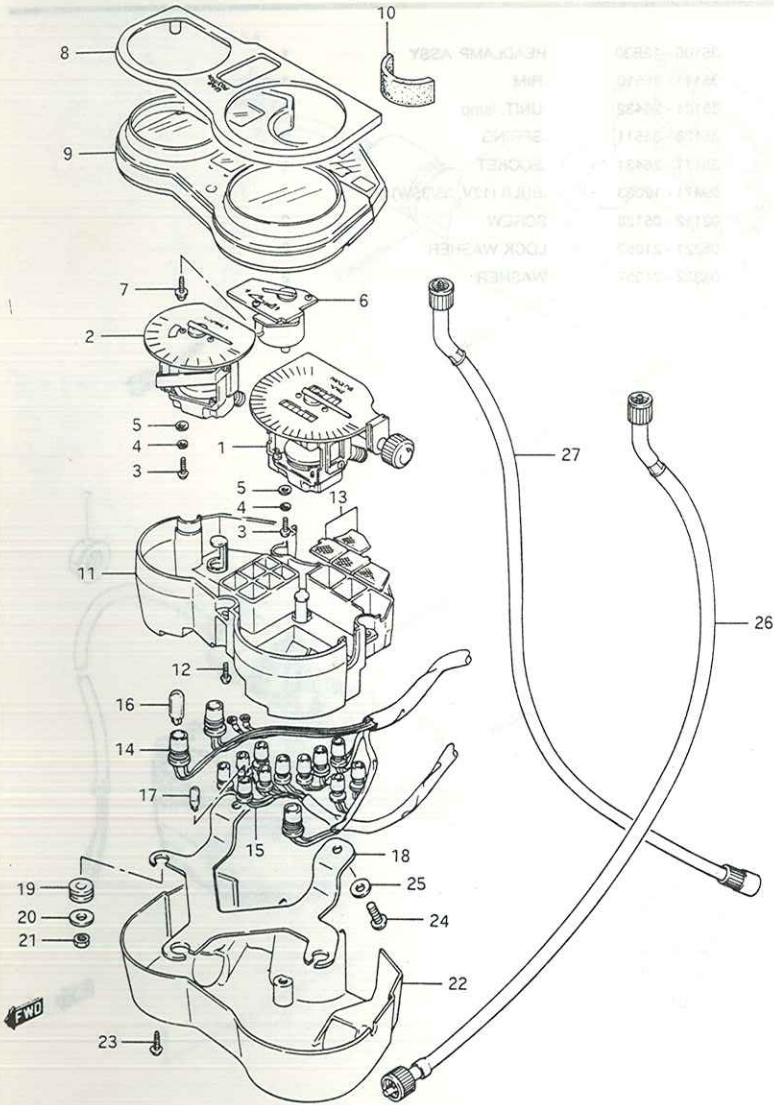


FIG. 16 (D-4) SPEEDOMETER - TACHOMETER

REF. NO.	PART NO.	DESCRIPTION	QTY	REMARKS
	34100 - 12B30	SPEEDOMETER COMP ASSY	1	
1	34120 - 12B00	SPEEDOMETER (Kilo)	1	
2	34220 - 12B00	TACHOMETER	1	
3	02112 - 03106	SCREW	4	
4	08321 - 21036	LOCK WASHER	4	
5	08322 - 21036	WASHER	4	
6	34320 - 12B00	GAUGE, fuel	1	
7	34383 - 12B00	SCREW	3	
8	34157 - 12B00	PLATE, decolation	1	
9	34150 - 12B01	HOOD, meter	1	
10	34161 - 12B00	CUSHION, hood	1	
11	34111 - 12B00	CASE, meter	1	
12	34183 - 12B00	SCREW	4	
13	36300 - 12850	LENS SET	1	
14	34170 - 12B00	SOCKET, meter No. 1	1	
15	34173 - 12B00	SOCKET, meter No. 2	1	
16	09471 - 12077	BULB (12V, 1.7W)	2	
17	09471 - 12100	BULB ( 12V, 1.7W)	13	
18	34950 - 12B00	BRACKET, meter	1	
19	34996 - 43410	CUSHIION	3	
20	09160 - 05031	WASHER	3	
21	08310 - 22058	NUT	3	
22	34156 - 12B00	COVER, lower	1	
23	34184 - 12B00	SCREW	3	
24	01107 - 06167	BOLT	2	
25	08322 - 11068	WASHER	2	
26	34910M12B00	CABLE ASSY, tachometer	1	
27	34940M36A00	CABLE ASSY, tachometer	1	

3



FIG. 17

REF. NO.	PART NO.	DESCRIPTION	QTY	REMARKS
1	35100 - 12B30	HEADLAMP COMP. ASSY	1	
2	35111 - 36510	.RIM	1	
3	35121 - 26432	.UNIT, lamp	1	
4	35128 - 36511	.SPRING	2	
5	35171 - 26431	.SOCKET	1	
6	09471 - 12033	.BULB (12V, 35/35W)	1	
7	02112 - 05128	SCREW	2	
8	08321 - 21057	LOCK WASHER	2	
	08322 - 21057	WASHER	2	

3

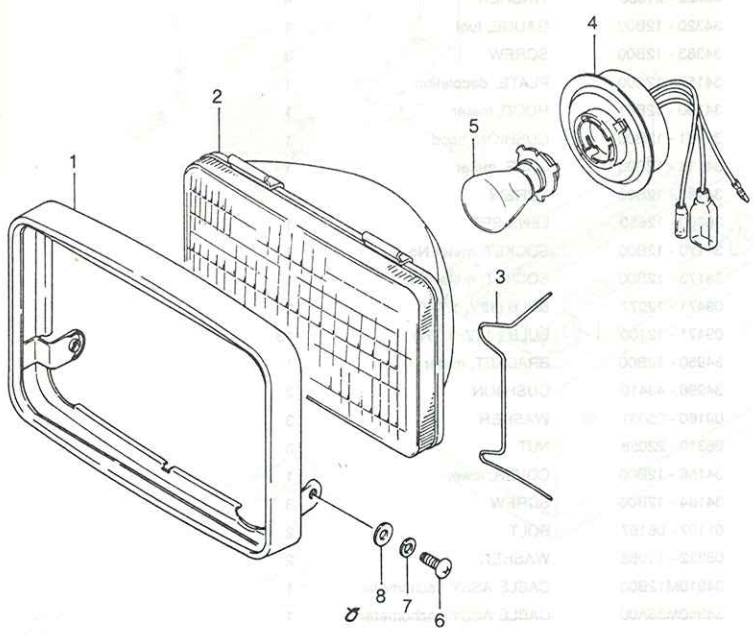


FIG. 17 (D-5) HEADLAMP

REF. NO.	PART NO.	DESCRIPTION	QTY	REMARKS
1	35100 - 12B30	HEADLAMP ASSY	1	
2	35111 - 36510	.RIM	1	
3	35121 - 26432	.UNIT, lamp	1	
4	35128 - 36511	.SPRING	2	
5	35171 - 26431	.SOCKET	1	
6	09471 - 12033	.BULB (12V, 35/35W)	1	
7	02112 - 05128	SCREW	2	
8	08321 - 21057	LOCK WASHER	2	
	08322 - 21057	WASHER	2	

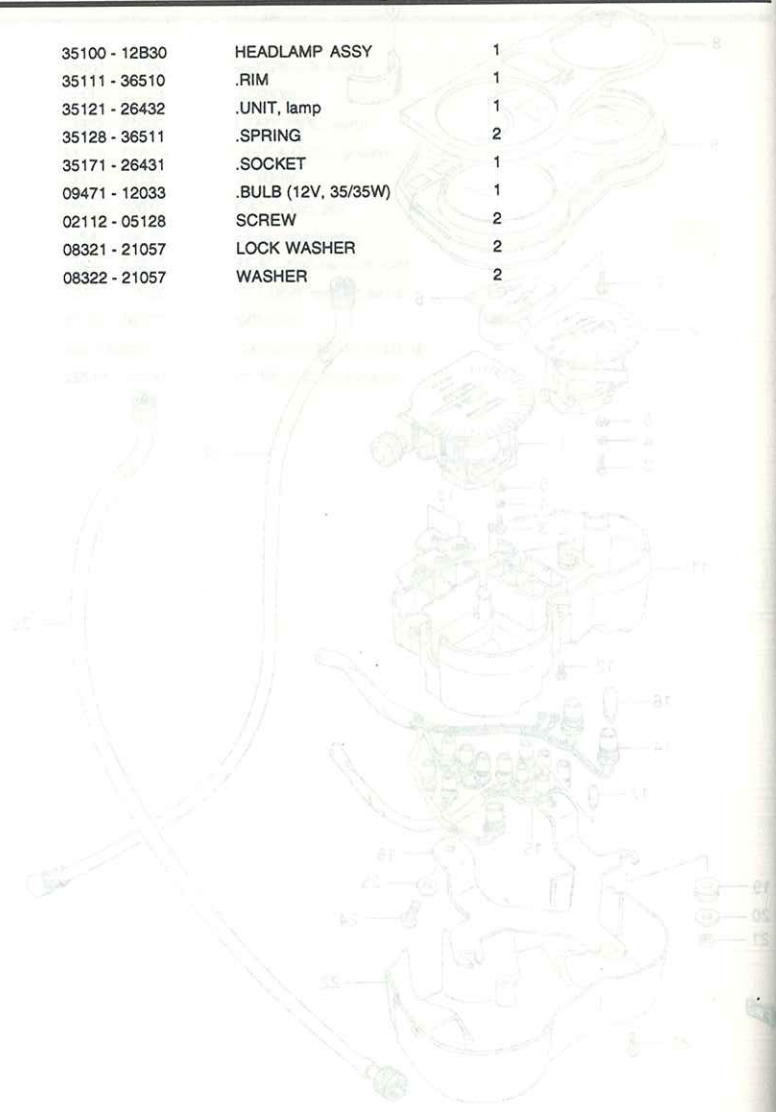


FIG. 18



REMARKS

FIG. 18

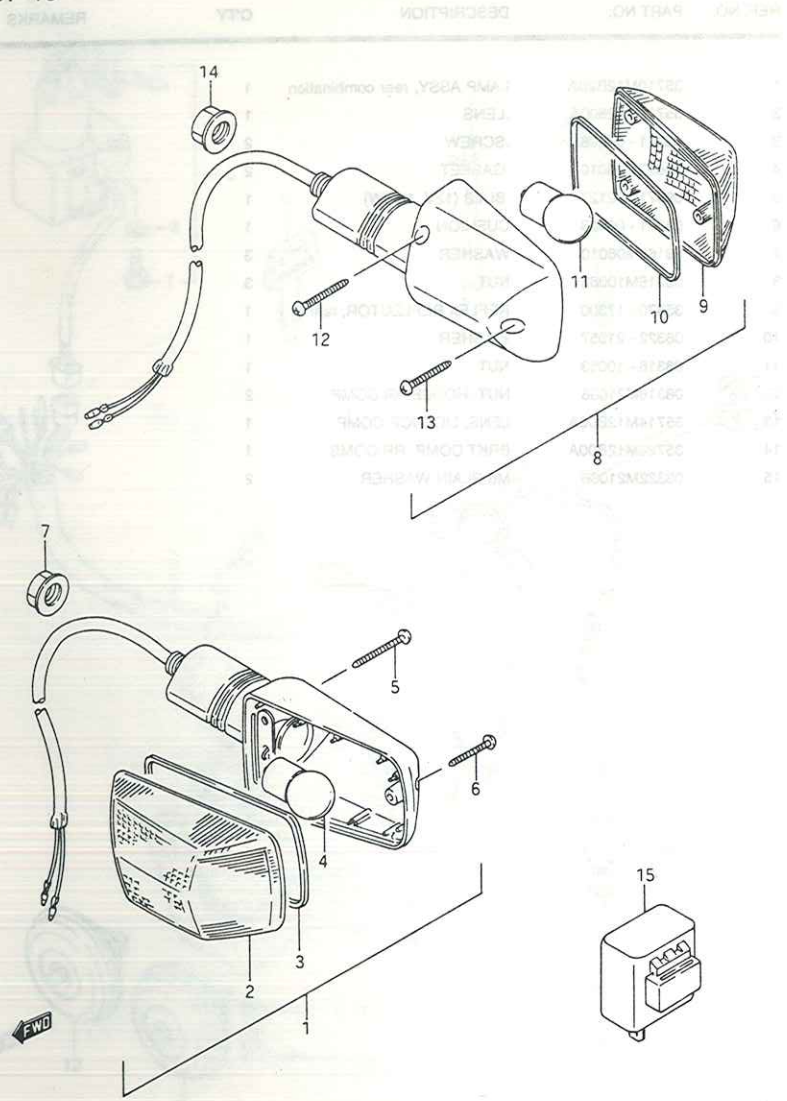


FIG. 18 (D-6) TURN SIGNAL LAMP

REF. NO.	PART NO.	DESCRIPTION	QTY	REMARKS
1	35601 - 12B30	LAMP ASSY, front turn signal	2	
2	35612 - 12B01	.LENS	2	
3	35613 - 27A00	.GASKET	2	
4	09471 - 12066	.BULB (12V, 10W)	2	
5	35623 - 27A00	.SCREW	4	
6	35725 - 40511	.SCREW	2	
7	08316 - 16105	NUT	2	
8	35601 - 12B30	LAMP ASSY, rear turn signal	2	
9	35612 - 12B01	.LENS	2	
10	35613 - 27A00	.GASKET	2	
11	09471 - 12066	.BULB	2	
12	35623 - 27A00	.SCREW	4	
13	35725 - 40511	.SCREW	2	
14	08316 - 16105	NUT	1	
15	38610 - 09410	RELAY ASSY, turn signal	1	

3

FIG. 19

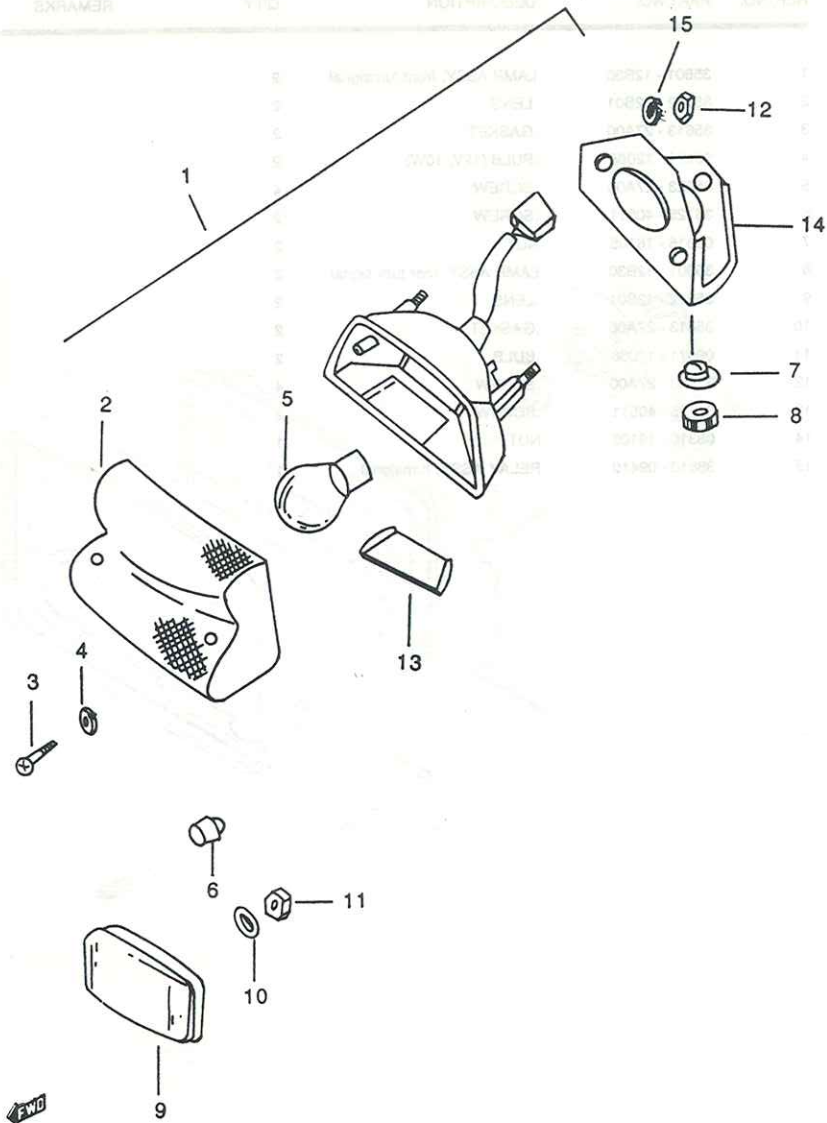
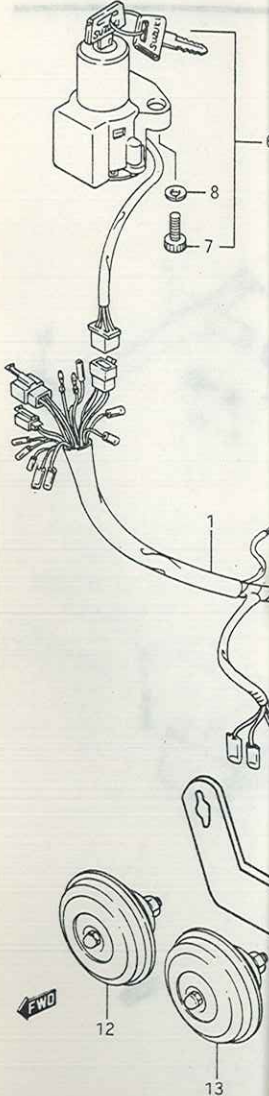


FIG. 19 (D-7) REAR COMBINATION LAMP

REF. NO.	PART NO.	DESCRIPTION	QTY	REMARKS
1	35710M12B20A	LAMP ASSY, rear combination	1	
2	35712M12800A	.LENS	1	
3	03211 - 04208	.SCREW	2	
4	35627 - 43010	.GASKET	2	
5	09471 - 12127	.BULB (12V, 18/5W)	1	
6	09321 - 06023	CUSHION	1	
7	09169M06010	WASHER	3	
8	08316M10063	NUT	3	
9	35970 - 17300	REFLEX REFLECTOR, rear	1	
10	08322 - 21057	WASHER	1	
11	08316 - 10053	NUT	1	
12	08316M21068	NUT, HOUSE RR COMP	2	
13	35714M12B00A	LENS, LICENCE COMP	1	
14	35726M12B00A	BRKT COMP, RR COMB	1	
15	08322M21066	M6 PLAIN WASHER	2	

FIG. 20



3



REMARKS

FIG. 20

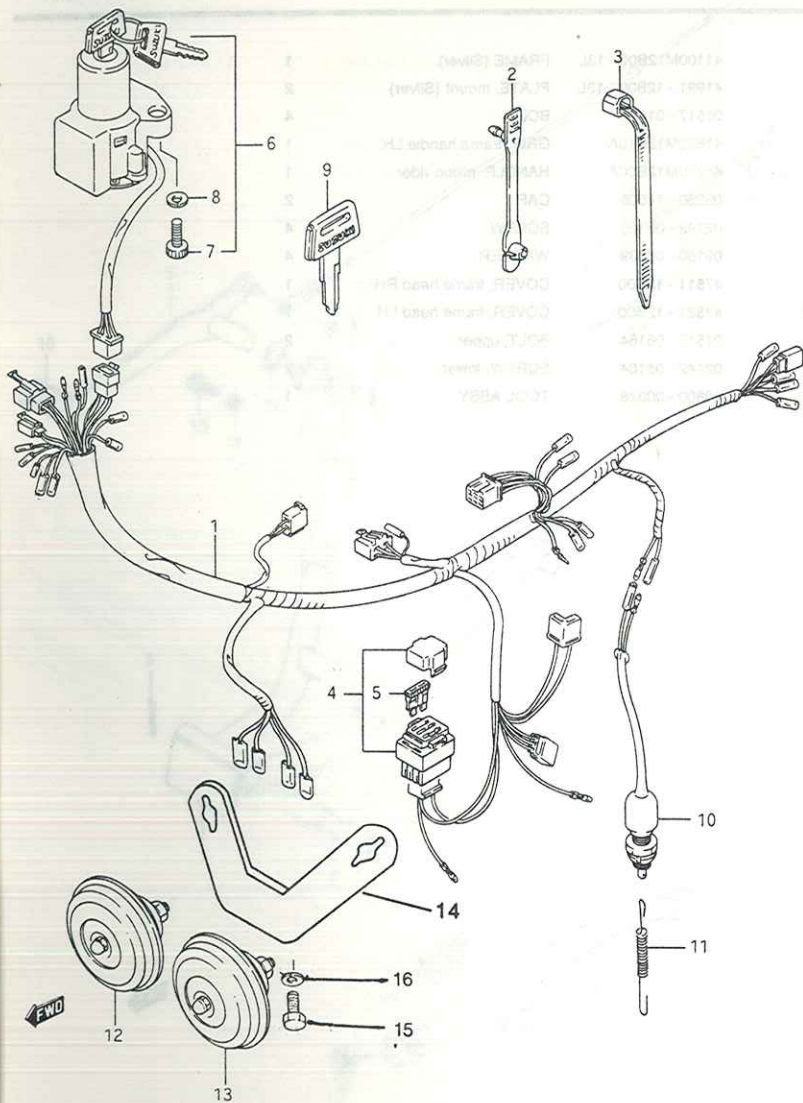


FIG. 20 (D-8) WIRING HARNESS

REF. NO.	PART NO.	DESCRIPTION	QTY	REMARKS
1	36610M12B50	HARNES, wiring	1	
2	09407 - 05406	CLAMP	1	
3 - 1	09407 - 14403	CLAMP (L: 125)	12	
3 - 2	09407 - 18402	CLAMP (L: 165)	3	
4	36740 - 04701	FUSE ASSY	1	
5	09481 - 15101	.FUSE (15A)	1	
6	37100 - 12B00	SWITCH ASSY, ignition	1	
7	07110 - 06165	.BOLT	2	
8	08321 - 21067	.LOCK WASHER	2	
9	37145 - 16700	KEY, blank	1	
10	37740 - 04A10	SWITCH ASSY, stop lamp	1	
11	09443 - 06012	SPRING	1	
12	38501 - 12B30	HORN, high pitched	1	
13	38502 - 12B30	HORN, low pitched	1	
14	38516M12B20	BRACKET, horn	1	
15	01107 - 06167	BOLT	2	
16	08321 - 31067	LOCK WASHER	2	

3

FIG. 21

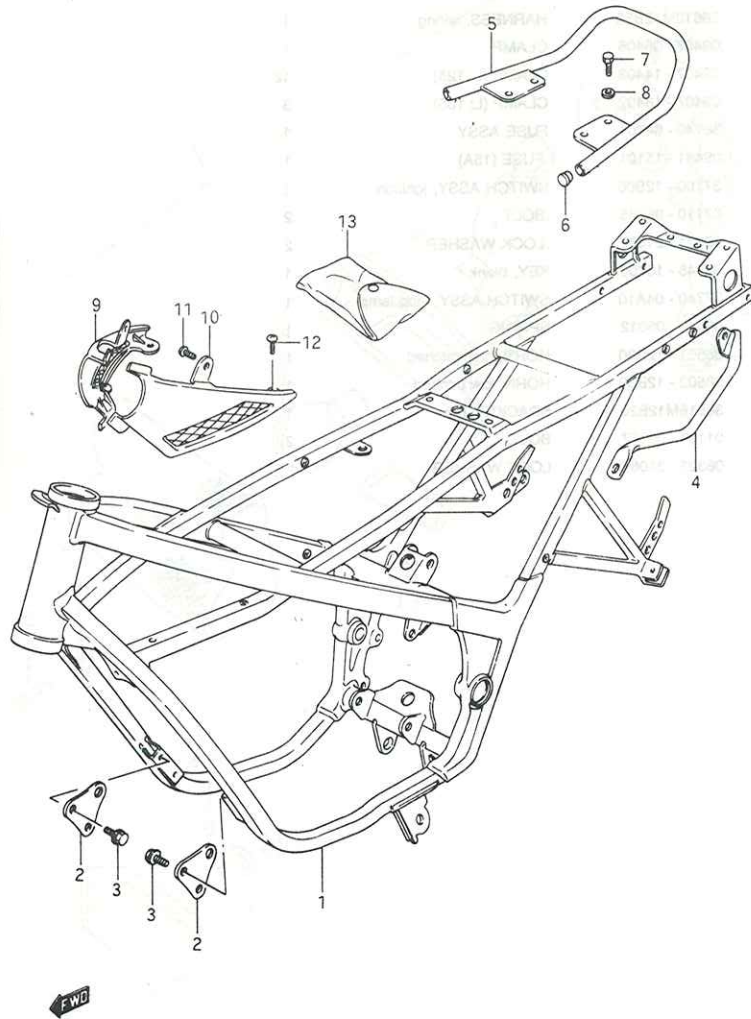


FIG. 21 (E-2) FRAME

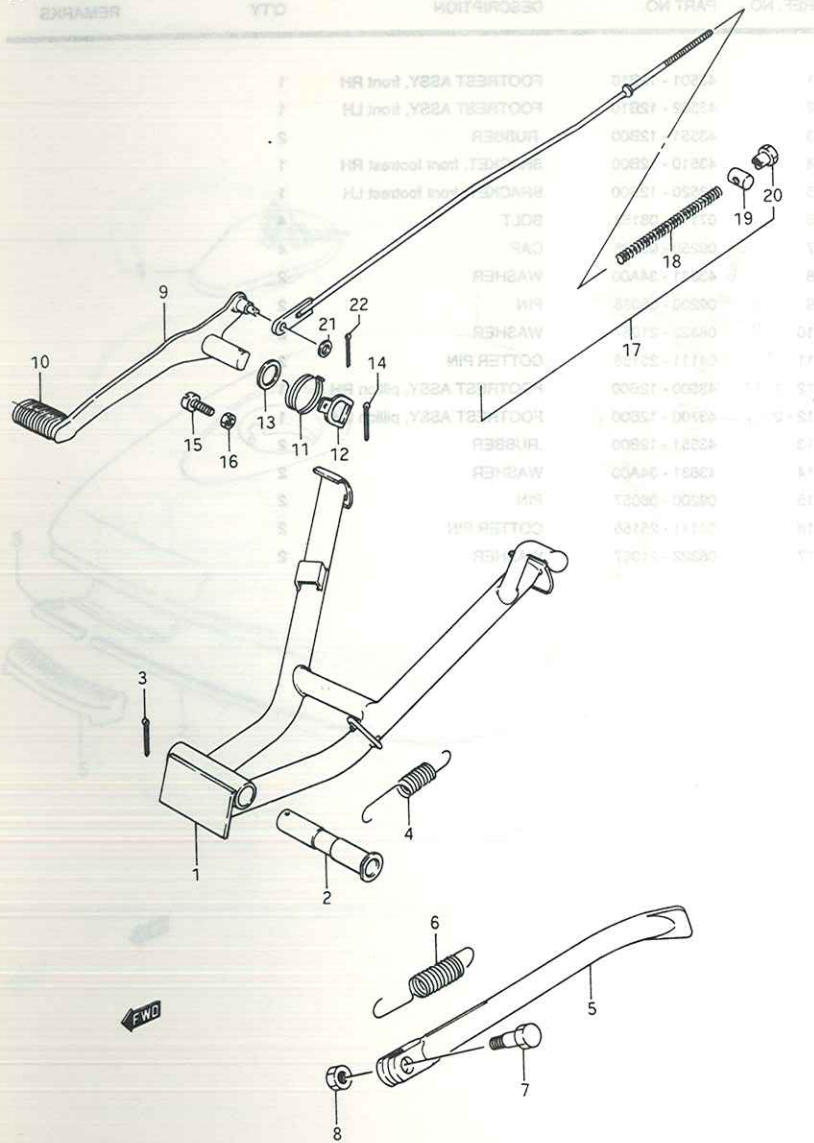
REF. NO.	PART NO.	DESCRIPTION	QTY	REMARKS
1	41100M12B00 - 13L	FRAME (Silver)	1	
2	41991 - 12B00 - 13L	PLATE, mount (Silver)	2	
3	01517 - 01867	BOLT	4	
4	41620M12B10A	GRIP, frame handle LH	1	
5	46210M12B00A	HANDLE, pillion rider	1	
6	09250 - 14006	CAP	2	
7	02142 - 06165	SCREW	4	
8	09160 - 06039	WASHER	4	
9	47511 - 12B00	COVER, frame head RH	1	
10	47521 - 12B00	COVER, frame head LH	1	
11	01517 - 06164	BOLT, upper	2	
12	02142 - 05164	SCREW, lower	2	
13	09800 - 00328	TOOL ASSY	1	

FIG. 22



REMARKS

FIG. 22



TRT

23

FIG. 22 (E-3) STAND - REAR BRAKE

REF. NO.	PART NO.	DESCRIPTION	QTY	REMARKS
1	42100 - 12B10	STAND, center	1	
2	42211 - 12B00	SHAFT, center stand	1	
3	04111 - 30308	COTTER PIN	1	
4	09443 - 18009	SPRING	1	
5	42310 - 12B00	STAND, prop	1	
6	09443 - 14024	SPRING	1	
7	09111 - 10014	BOLT	1	
8	08310 - 22108	NUT	1	
9	43110 - 12B00	PEDAL, brake	1	
10	25652 - 49300	RUBBER	1	
11	09448 - 31033	SPRING, brake pedal	1	
12	43251 - 12B00	BRACKET, stop lamp switch	1	
13	43212 - 04700	WASHER, brake pedal	1	
14	04111 - 30308	COTTER PIN	1	
15	43132 - 12B00	BOLT, adjuster	1	
16	08310 - 22067	NUT	1	
17	43300 - 12B01	ROD ASSY, rear brake	1	
18	09440 - 09004	.SPRING	1	
19	09209 - 11002	.PIN	1	
20	09150 - 06009	.NUT	1	
21	08322 - 21067	.WASHER	1	
22	04111 - 20158	.COTTER PIN	1	

4

FIG. 23

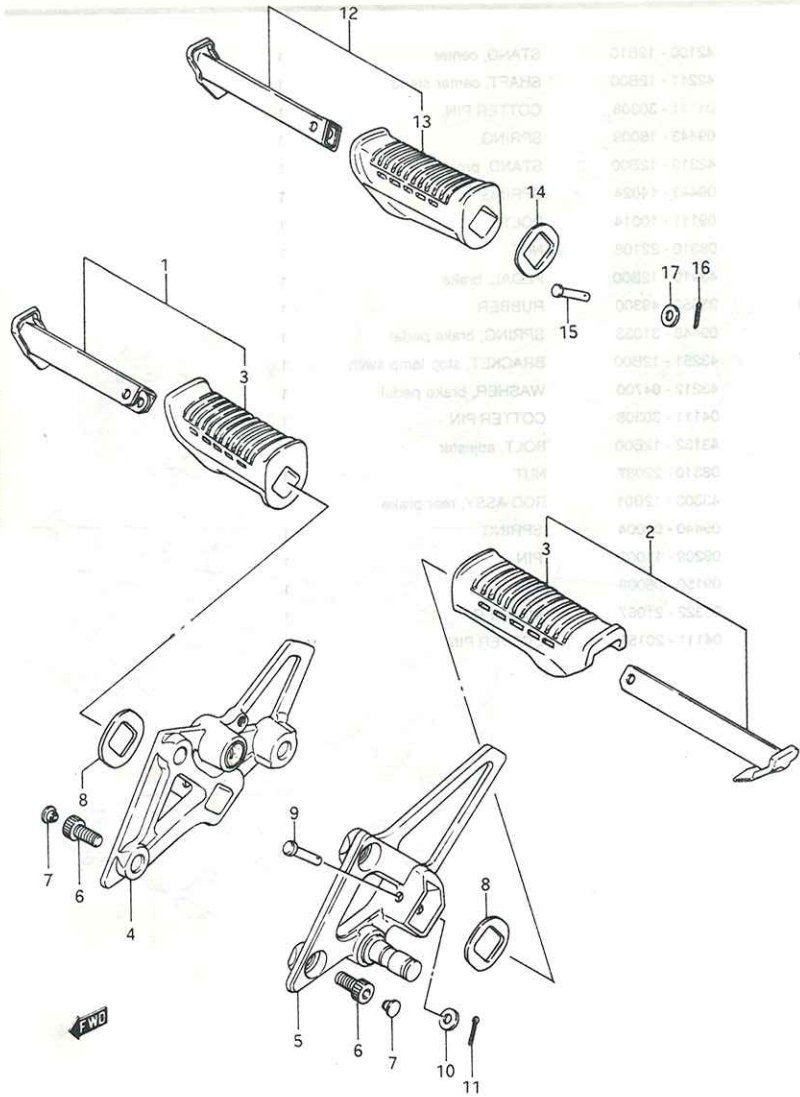


FIG. 23 (E-4) FOOTREST

REF. NO.	PART NO.	DESCRIPTION	QTY	REMARKS
1	43501 - 12B10	FOOTREST ASSY, front RH	1	
2	43502 - 12B10	FOOTREST ASSY, front LH	1	
3	43551 - 12B00	RUBBER	2	
4	43510 - 12B00	BRACKET, front footrest RH	1	
5	43520 - 12B00	BRACKET, front footrest LH	1	
6	07110 - 08168	BOLT	4	
7	09250 - 06008	CAP	4	
8	43631 - 34A00	WASHER	2	
9	09200 - 06058	PIN	2	
10	08322 - 21067	WASHER	2	
11	04111 - 25156	COTTER PIN	2	
12 - 1	43600 - 12B00	FOOTREST ASSY, pillion RH	1	
12 - 2	43700 - 12B00	FOOTREST ASSY, pillion LH	1	
13	43551 - 12B00	.RUBBER	2	
14	43631 - 34A00	WASHER	2	
15	09200 - 06057	PIN	2	
16	04111 - 25156	COTTER PIN	2	
17	08322 - 21067	WASHER	2	

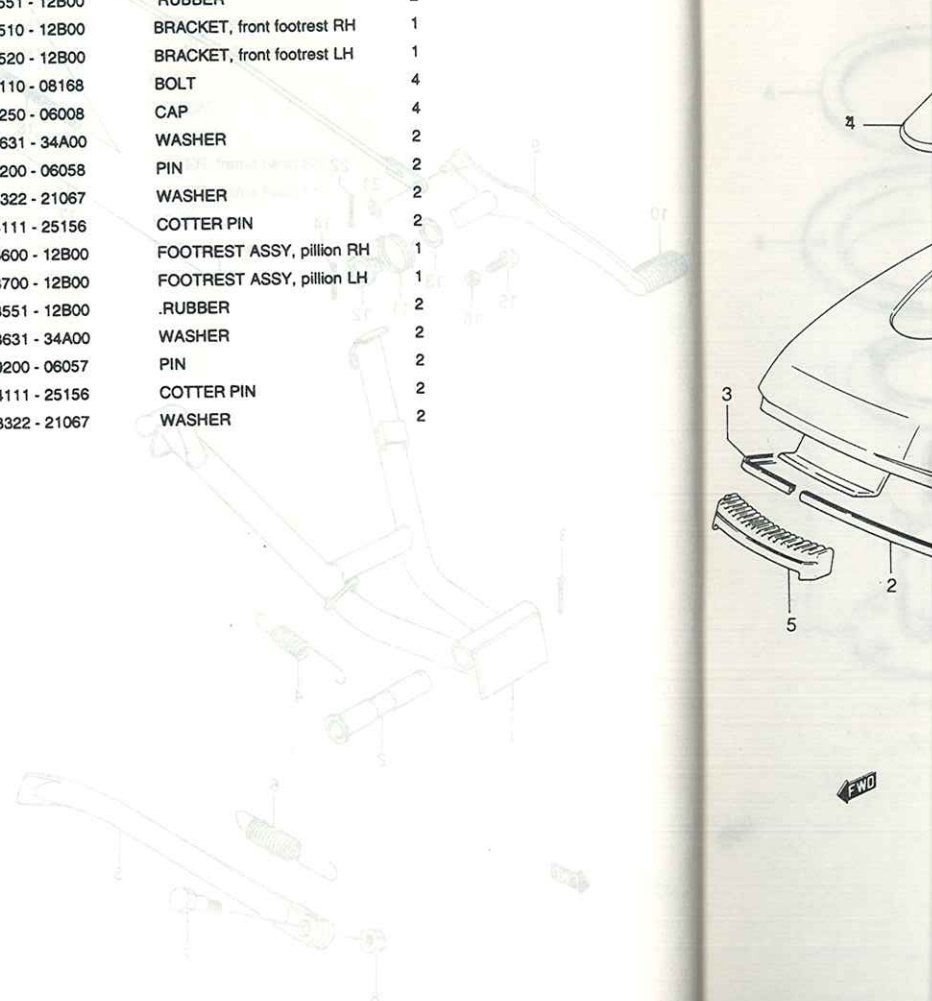


FIG. 24

REMARKS

FIG. 24

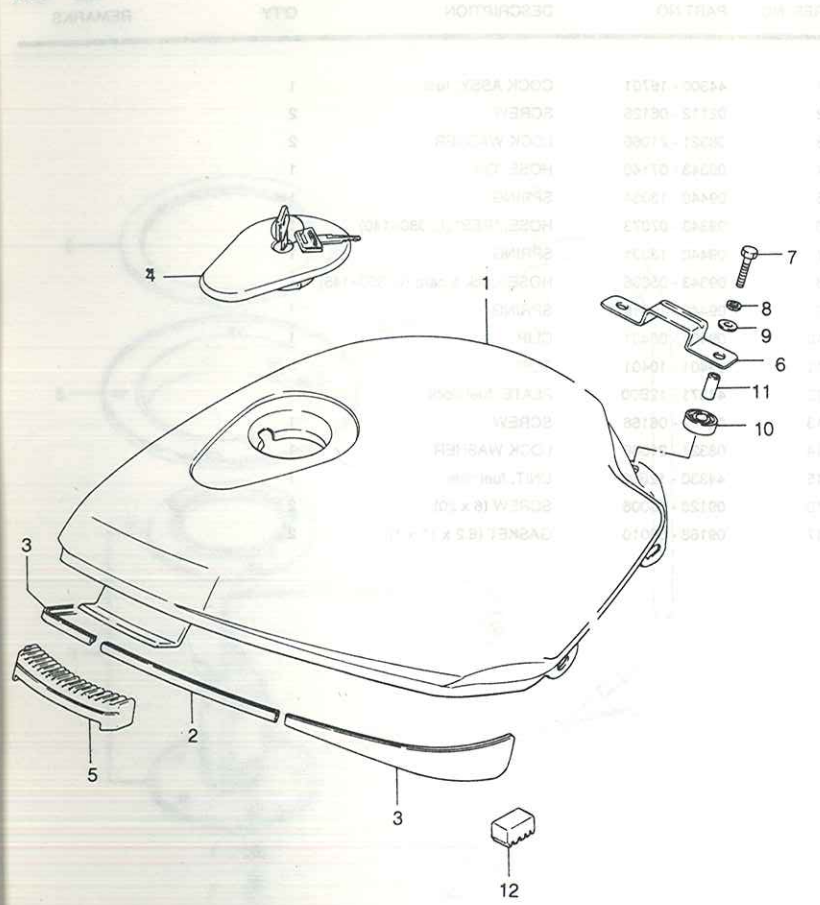


FIG. 24 (E-5) FUEL TANK

REF. NO.	PART NO.	DESCRIPTION	QTY	REMARKS
1	44100M12B00A	TANK ASSY, fuel (White)	1	
2	68241 - 27A00	MOLDING, fuel tank No. 1	1	
3	68242 - 12B00	MOLDING, fuel tank No. 2	2	
4	44200 - 12B00 - KEY	CAP ASSY, fuel tank	1	
5	44511 - 34A00	CUSHION, front	1	
6	45119 - 12B00	PLATE, seat front hood	1	
7	01107 - 06306	BOLT	2	
8	08321 - 21066	LOCK WASHER	2	
9	08322 - 21066	WASHER	2	
10	09320 - 10020	CUSHION	2	
11	09180 - 06072	SPACER	2	
12	44545 - 04700	CUSHION, side	2	

4



REMARKS

FIG. 24

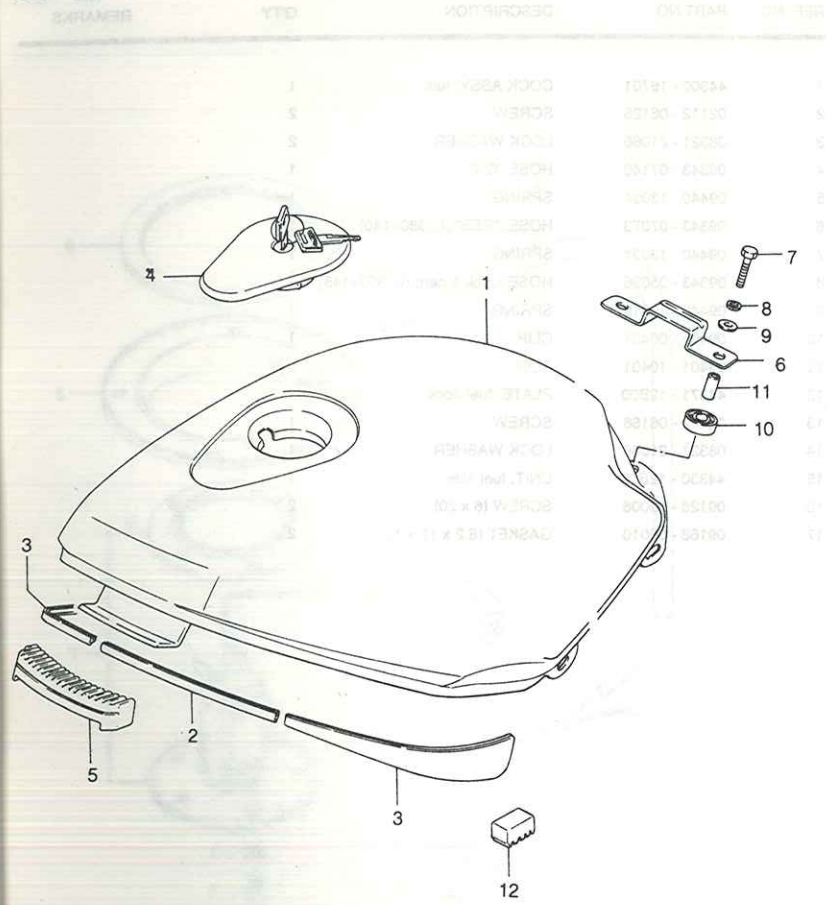


FIG. 24 (E-5) FUEL TANK

REF. NO.	PART NO.	DESCRIPTION	QTY	REMARKS
1	44100M12B00A	TANK ASSY, fuel (White)	1	
2	68241 - 27A00	MOLDING, fuel tank No. 1	1	
3	68242 - 12B00	MOLDING, fuel tank No. 2	2	
4	44200 - 12B00 - KEY	CAP ASSY, fuel tank	1	
5	44511 - 34A00	CUSHION, front	1	
6	45119 - 12B00	PLATE, seat front hood	1	
7	01107 - 06306	BOLT	2	
8	08321 - 21066	LOCK WASHER	2	
9	08322 - 21066	WASHER	2	
10	09320 - 10020	CUSHION	2	
11	09180 - 06072	SPACER	2	
12	44545 - 04700	CUSHION, side	2	

4

FIG. 25

REMARKS QTY DESCRIPTION PART NO. QTY

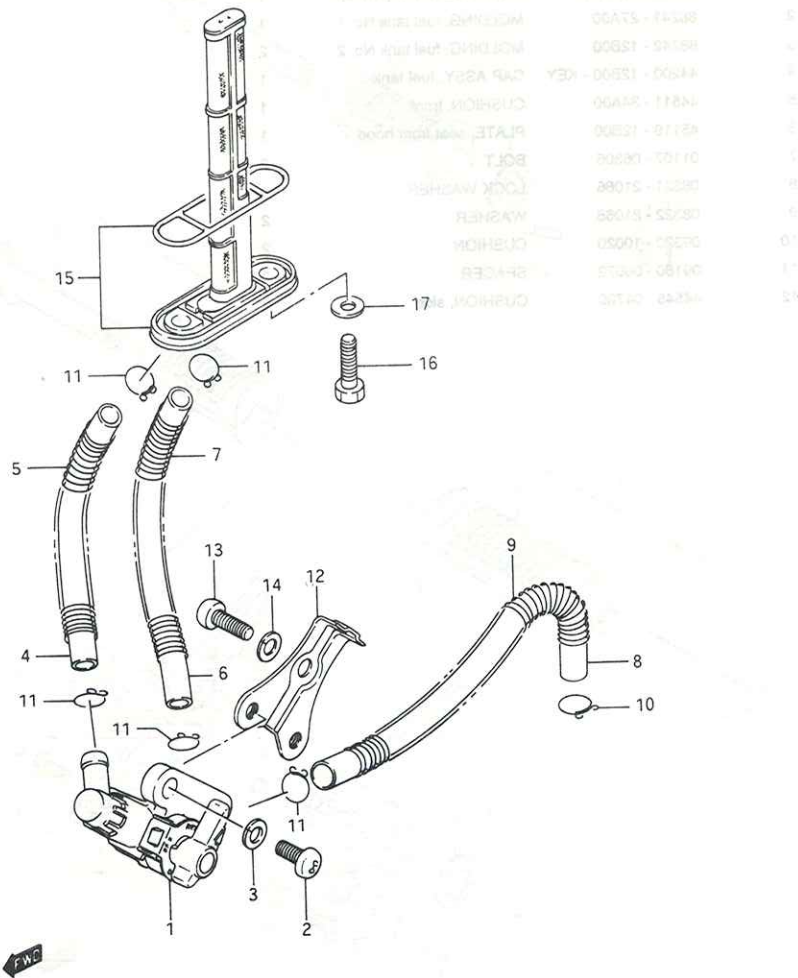
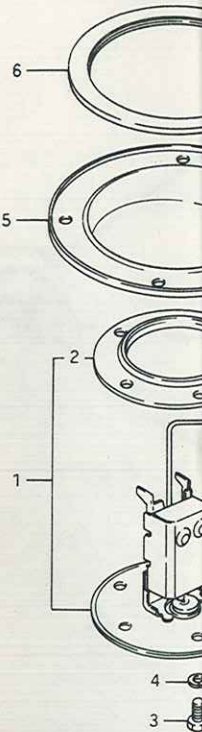


FIG. 25 (E-6) FUEL COCK

REF. NO.	PART NO.	DESCRIPTION	QTY	REMARKS
1	44300 - 16701	COCK ASSY, fuel	1	
2	02112 - 06126	SCREW	2	
3	08321 - 21066	LOCK WASHER	2	
4	09343 - 07140	HOSE "ON"	1	
5	09440 - 13034	SPRING	1	
6	09343 - 07073	HOSE, "RES" (L: 380x140)	1	
7	09440 - 13031	SPRING	1	
8	09343 - 05096	HOSE, cock & carb (L: 350x145)	1	
9	09440 - 10019	SPRING	1	
10	09401 - 08401	CLIP	1	
11	09401 - 10401	CLIP	5	
12	44371 - 12B00	PLATE, fuel cock	1	
13	02112 - 06166	SCREW	1	
14	08321 - 21066	LOCK WASHER	1	
15	44330 - 12B00	UNIT, fuel filter	1	
16	09128 - 06006	SCREW (6 x 20)	2	
17	09168 - 06010	GASKET (6.2 x 11 x 1)	2	

FIG. 26

REMARKS



REMARKS

FIG. 26

REMARKS QTY DESCRIPTION PART NO. QTY

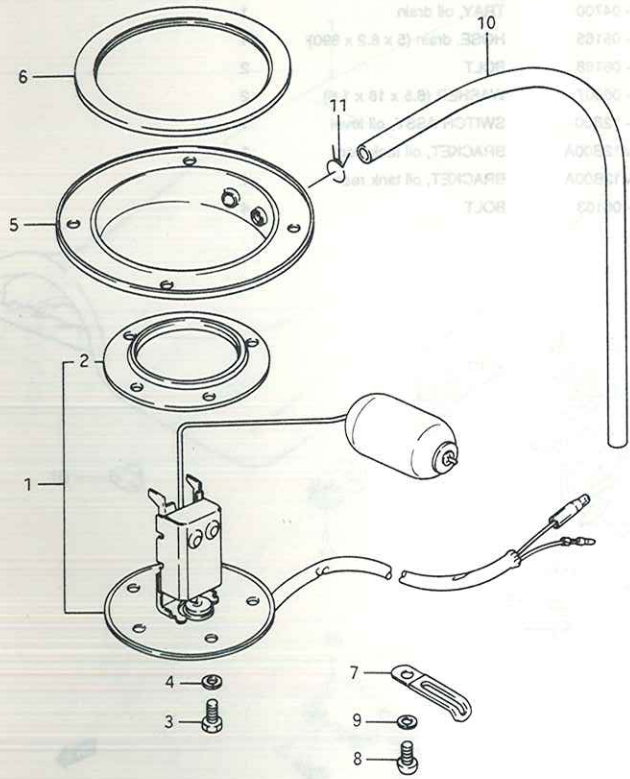
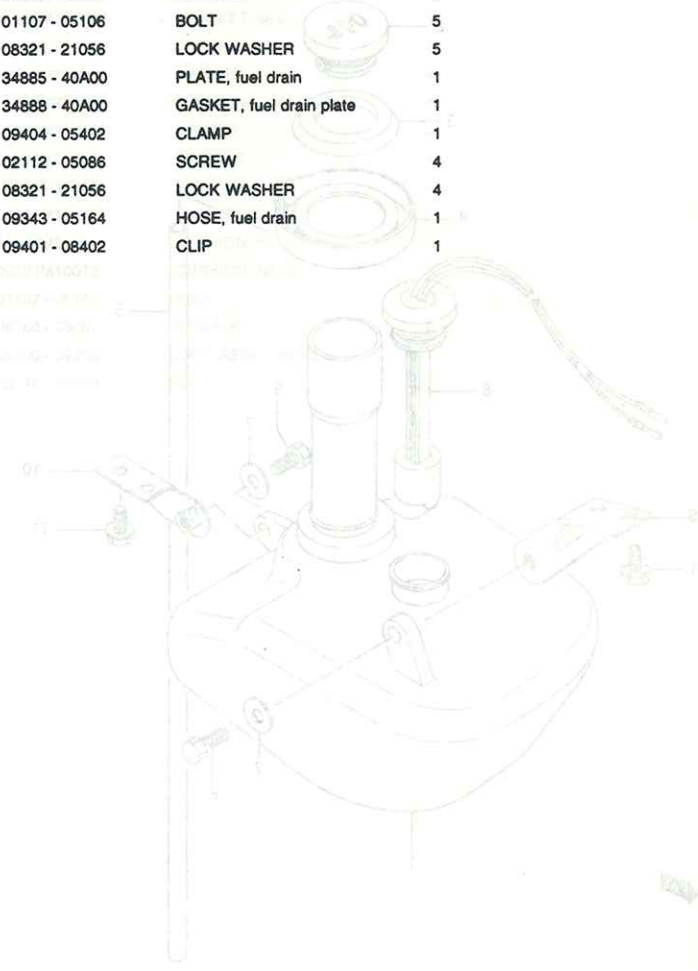


FIG. 26 (E-7) FUEL LEVEL GAUGE

REF. NO. PART NO. DESCRIPTION QTY REMARKS

1	34810 - 12B00	GAUGE ASSY, fuel level	1
2	34825 - 49001	.GASKET	1
3	01107 - 05106	BOLT	5
4	08321 - 21056	LOCK WASHER	5
5	34885 - 40A00	PLATE, fuel drain	1
6	34888 - 40A00	GASKET, fuel drain plate	1
7	09404 - 05402	CLAMP	1
8	02112 - 05086	SCREW	4
9	08321 - 21056	LOCK WASHER	4
10	09343 - 05164	HOSE, fuel drain	1
11	09401 - 08402	CLIP	1



4

FIG. 27

FIG. 28 (E-7) FUEL LEVEL GAUGE

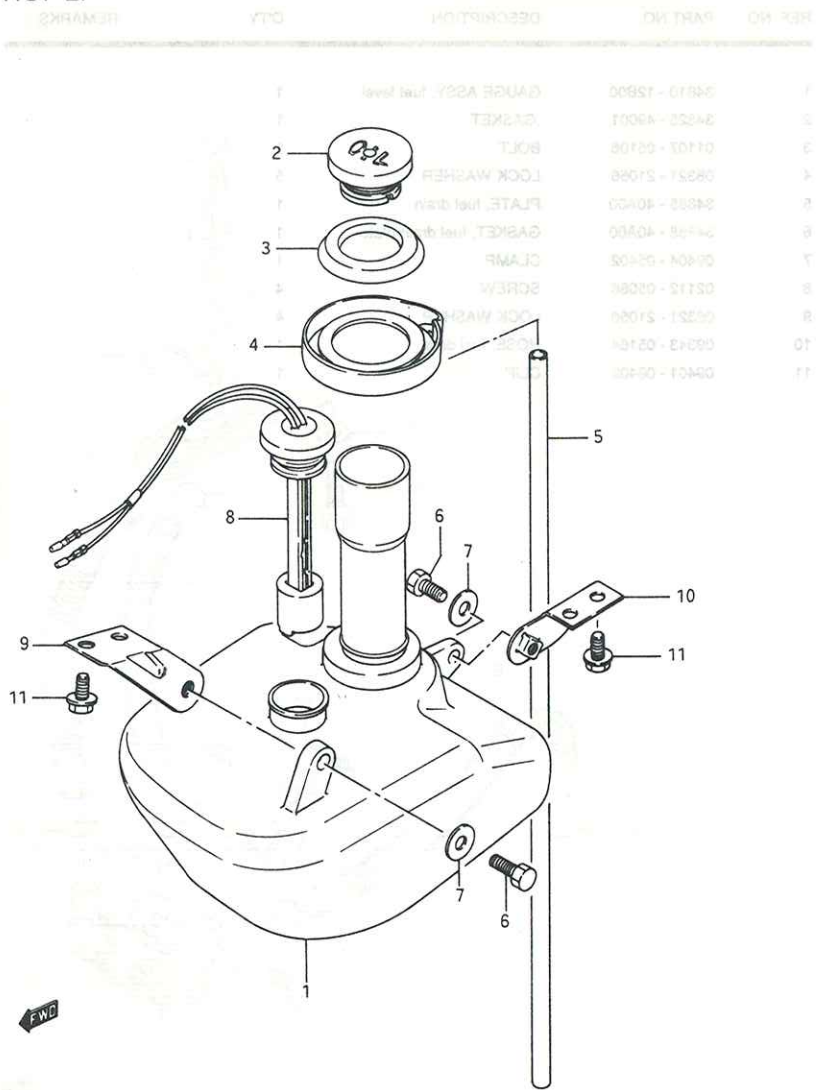


FIG. 27 (E-8) OIL TANK

FIG. 28

REF. NO.	PART NO.	DESCRIPTION	Q'TY	REMARKS
1	44611M12B00A	TANK, oil	1	
2	44651 - 04701	CAP, oil tank	1	
3	44661 - 04700	CUSHION	1	
4	44682 - 04700	TRAY, oil drain	1	
5	09343 - 05165	HOSE, drain (5 x 8.2 x 890)	1	
6	09116 - 06168	BOLT	2	
7	09160 - 06007	WASHER (6.5 x 18 x 1.6)	2	
8	37880 - 12B00	SWITCH ASSY, oil level	1	
9	44614M12B00A	BRACKET, oil tank front	1	
10	44615M12B00A	BRACKET, oil tank rear	1	
11	01550 - 06103	BOLT	4	

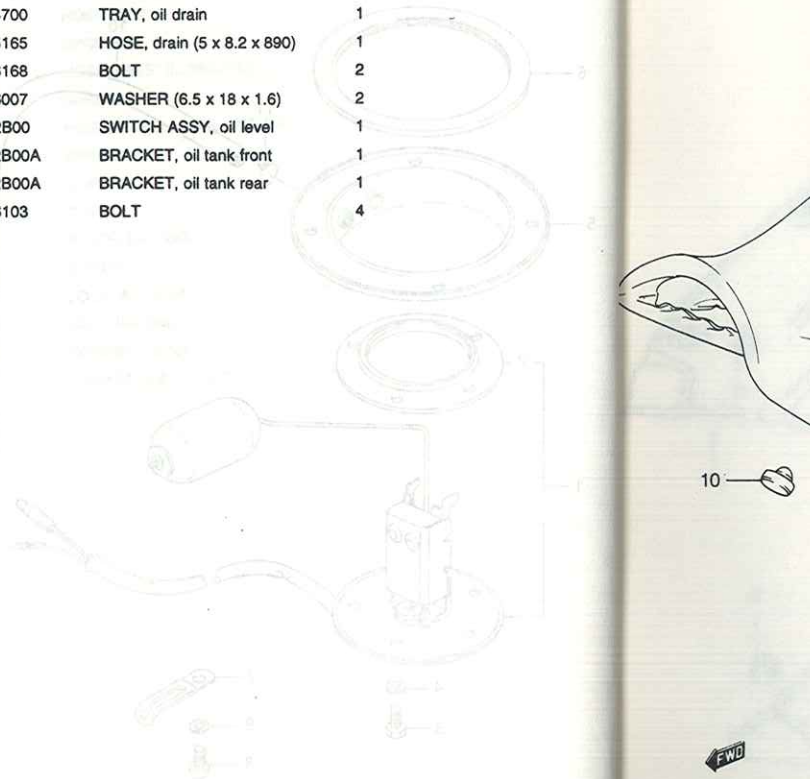


FIG. 28

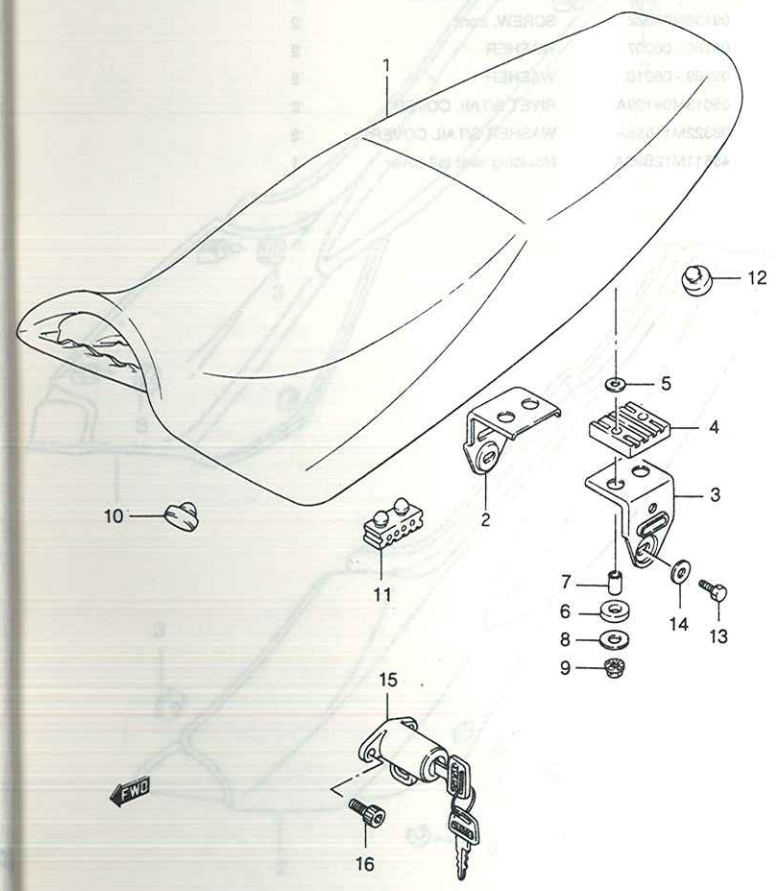
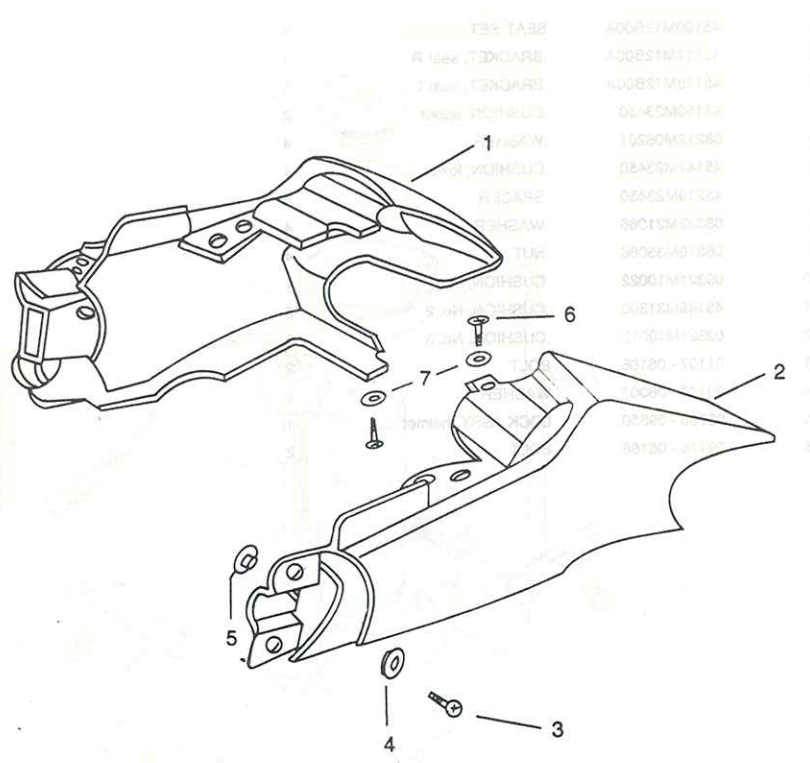


FIG. 28 (E-9) SEAT

REF. NO.	PART NO.	DESCRIPTION	QTY	REMARKS
1	45100M12B00A	SEAT SET	1	
2	45117M12B00A	.BRACKET, seat R	1	
3	45118M12B00A	.BRACKET, seat L	1	
4	45150M23450	.CUSHION, upper	2	
5	08212M06201	.WASHER	4	
6	45147M23450	.CUSHION, lower	4	
7	45219M23450	.SPACER	4	
8	08322M21066	.WASHER	4	
9	08316M35066	.NUT	4	
10	09321M10022	.CUSHION, front	1	
11	45149M31300	.CUSHION, No. 2	5	
12	09321M10012	.CUSHION, No. 3	2	
13	01107 - 06166	BOLT	2	
14	09160 - 06007	WASHER	2	
15	95700 - 09850	LOCK ASSY, helmet	1	
16	09116 - 06168	BOLT	2	

4

FIG. 29

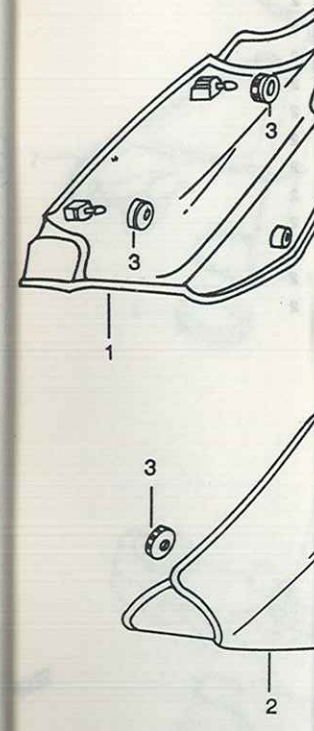


4

FIG. 29 (E-10) SEAT TAIL COVER

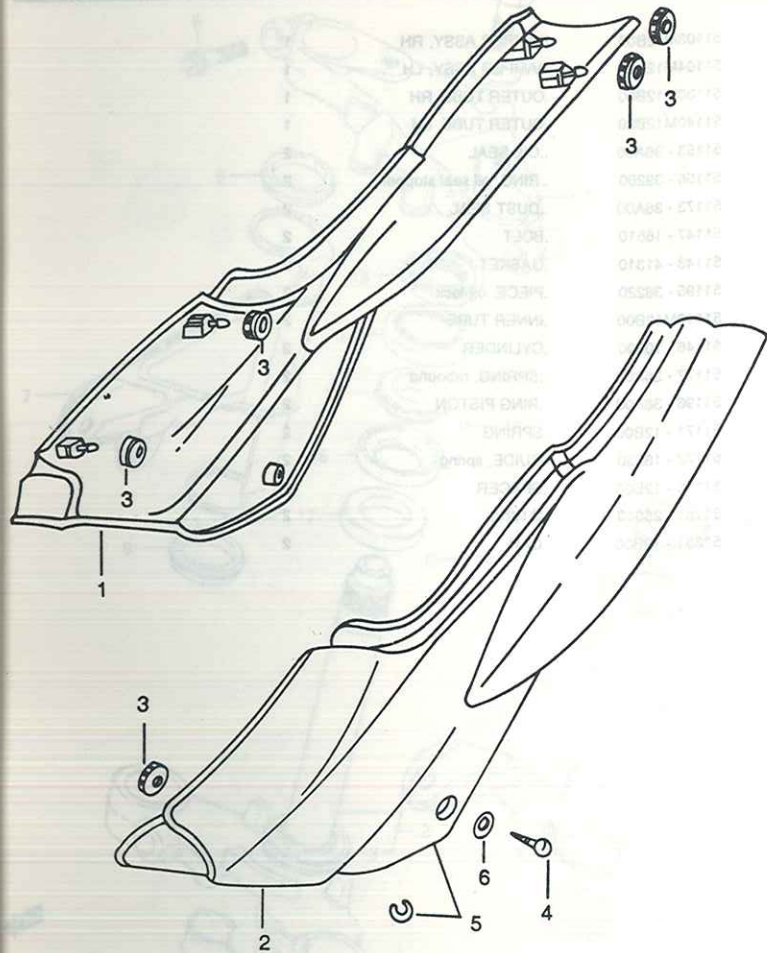
REF. NO.	PART NO.	DESCRIPTION	QTY	REMARKS
1	45511M12B00A	COVER, seat tail RH	1	
2	45521M12B00A	COVER, seat tail LH	1	
3	09136M06022	SCREW, front	2	
4	09160 - 06007	WASHER	2	
5	09169 - 06016	WASHER	2	
6	05013M04109A	RIVET S/TAIL COVER	2	
7	08322M11058A	WASHER S/TAIL COVER	2	
8	45511M12B99A	Moulding seat tail cover	1	

FIG. 30



REMARKS

FIG. 30

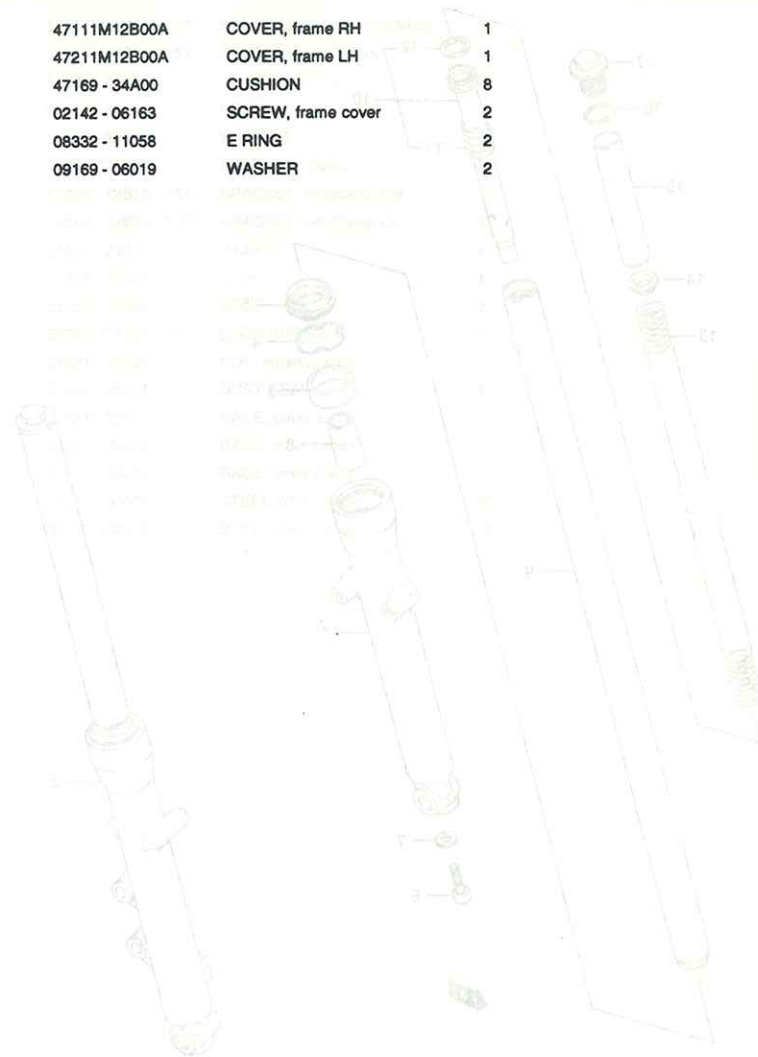


EWC



FIG. 30 (E-11) FRAME COVER

REF. NO.	PART NO.	DESCRIPTION	QTY	REMARKS
1	47111M12B00A	COVER, frame RH	1	
2	47211M12B00A	COVER, frame LH	1	
3	47169 - 34A00	CUSHION	8	
4	02142 - 06163	SCREW, frame cover	2	
5	08332 - 11058	E RING	2	
6	09169 - 06019	WASHER	2	



4



FIG. 31

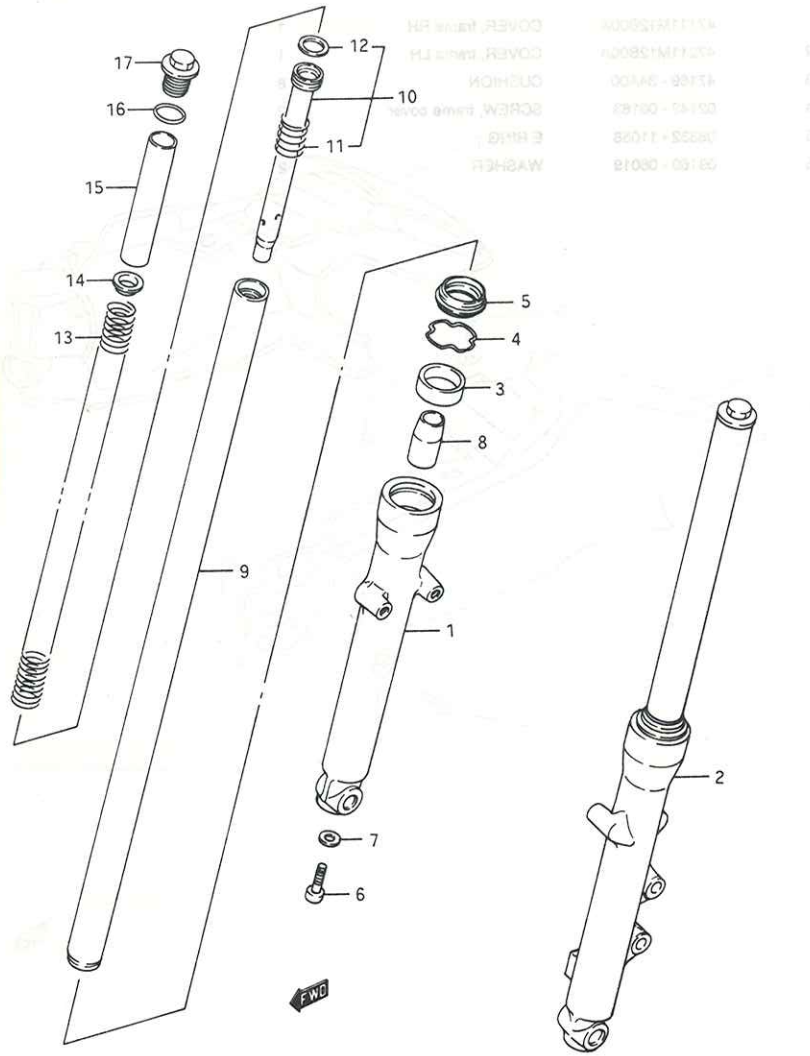


FIG. 31 (F-2) FRONT DAMPER

REF. NO.	PART NO.	DESCRIPTION	QTY	REMARKS
	51103M12B00	DAMPER ASSY, RH	1	
	51104M12B20	DAMPER ASSY, LH	1	
1	51130M12B00	..OUTER TUBE, RH	1	
2	51140M12B20	..OUTER TUBE, LH	1	
3	51153 - 36A00	..OIL SEAL	2	
4	51156 - 39260	..RING, oil seal stopper	2	
5	51173 - 36A00	..DUST SEAL	2	
6	51147 - 16510	..BOLT	2	
7	51148 - 41310	..GASKET	2	
8	51195 - 36220	..PIECE, oil lock	2	
9	51110M12B00	..INNER TUBE	2	
10	51146 - 10300	..CYLINDER	2	
11	51177 - 36A00	..SPRING, rebound	2	
12	51196 - 36A00	..RING PISTON	2	
13	51171 - 12B00	..SPRING	2	
14	51172 - 18630	..GUIDE, spring	2	
15	51176 - 12B00	..SPACER	2	
16	61181 - 25010	..O RING	2	
17	51351 - 12B00	..CAP	2	

FIG. 32

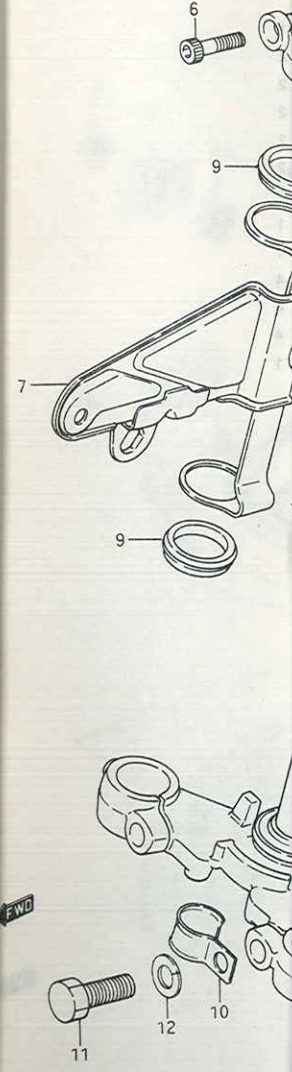




FIG. 32

REMARKS

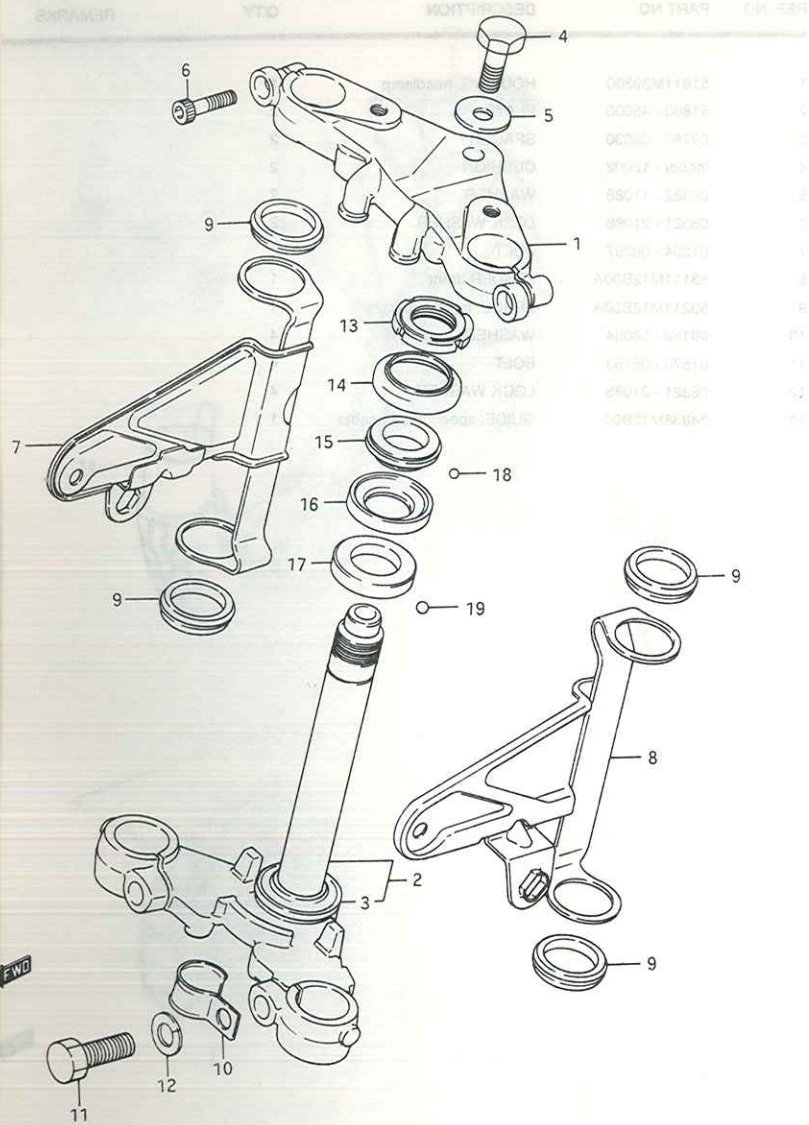


FIG. 32 (F-3) STEERING STEM

REF. NO.	PART NO.	DESCRIPTION	QTY	REMARKS
1	51311 - 12B00 - 15T	STEM HEAD, steering (Black)	1	
2	51410 - 12B00 - 15T	STEM, steering (Black)	1	
3	51621 - 33001	.RACE, outer	1	
4	51351 - 20010	BOLT	1	
5	51356 - 22012	WASHER	1	
6	07110 - 08305	BOLT, stem head	2	
7	51530 - 12B10 - 15T	BRACKET, headlamp RH	1	
8	51540 - 12B10 - 15T	BRACKET, headlamp LH	1	
9	51553 - 29311	GASKET	4	
10	51455 - 36010	CLIP	1	
11	01107 - 12358	BOLT	2	
12	08321 - 21128	LOCK WASHER	2	
13	51631 - 28000	NUT, steering stem	1	
14	51643 - 25001	DUST SEAL	1	
15	51621 - 28000	RACE, outer upper	1	
16	51611 - 20002	RACE, inner upper	1	
17	51611 - 33002	RACE, inner lower	1	
18	06111 - 06003	STEEL BALL, upper	22	
19	06111 - 08003	STEEL BALL, lower	18	

4

FIG. 33

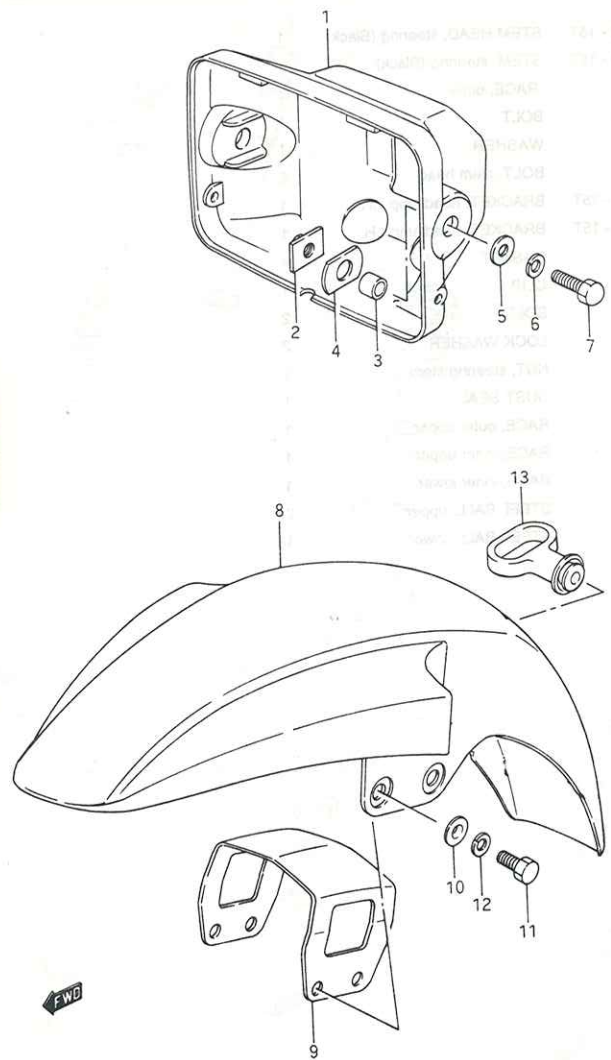
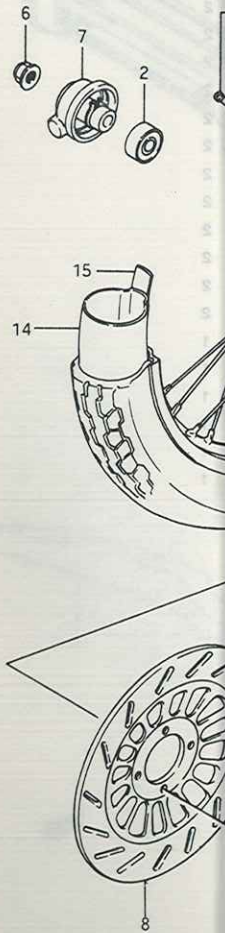


FIG. 33 (F-4) HEADLAMP HOUSING - FRONT FENDER

REF. NO.	PART NO.	DESCRIPTION	QTY	REMARKS
1	51811M39300	HOUSING, headlamp	1	
2	51860 - 45000	PLATE	2	
3	09180 - 08030	SPACER	2	
4	09329 - 12002	CUSHION	2	
5	08322 - 11088	WASHER	2	
6	08321 - 21088	LOCK WASHER	2	
7	01204 - 08257	BOLT	2	
8	53111M12B00A	FENDER, front	1	
9	53211M12B00A	BRACE, front fender	1	
10	09169 - 08034	WASHER	4	
11	01570 - 08163	BOLT	4	
12	08321 - 21088	LOCK WASHER	4	
13	34938M12B00	GUIDE, speedometer cable	1	

FIG. 34



TRT

TRT

REMARKS

FIG. 34

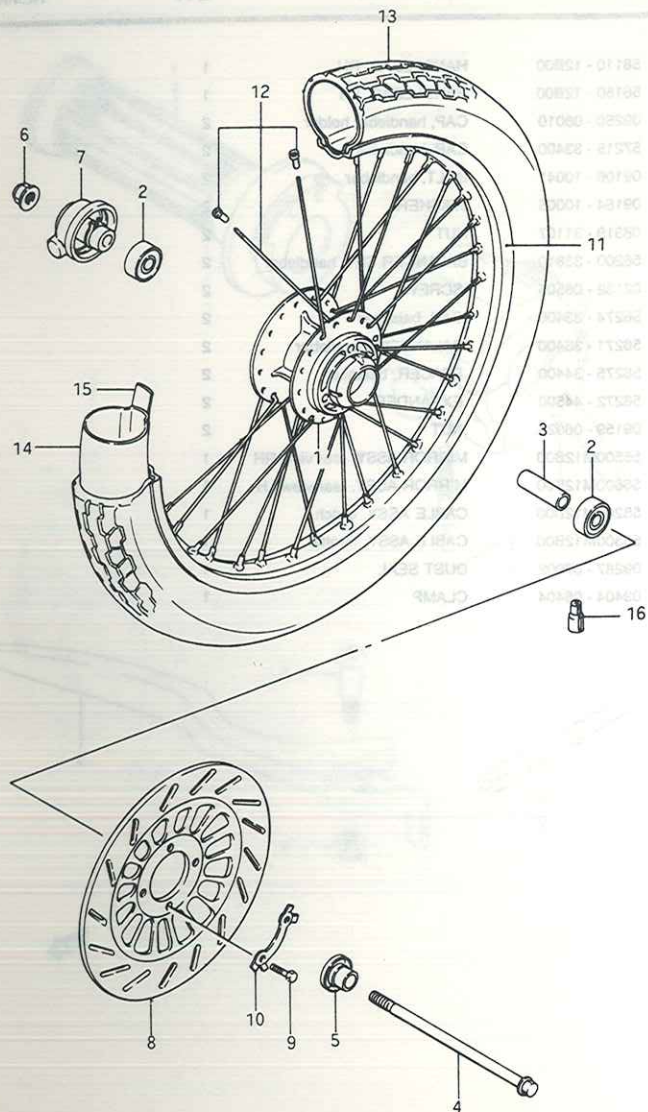


FIG. 34 (F-5) FRONT WHEEL

REF. NO.	PART NO.	DESCRIPTION	QTY	REMARKS
1	54111 - 12B00	WHEEL, front	1	
2	08123 - 63007	BEARING	2	
3	09180 - 10005	SPACER, front hub	1	
4	54711 - 12B01	AXLE, front	1	
5	54750 - 46100	SPACER, front axle LH	1	
6	08319 - 31107	NUT	1	
7	54600 - 39100	BOX ASSY, speedometer	1	
8	59211 - 12B00	DISK, front brake	1	
9	09100 - 08094	BOLT	4	
10	09169 - 08019	WASHER	2	
11	55311M36321	RIM, front wheel (1.6 x 18)	1	
12	55320M36221	SPOK ASSY, front wheel	1	
13	55100M12B00A	TIRE, T/L front (80/90 - 18)	1	
14	55200M11601	TUBE ASSY, wheel inner	1	
15	55261M11010	PROTECTOR, wheel inner	1	
16 - 1	55411 - 11000	BALANCER, wheel (20g)	0 - 2	
16 - 2	55412 - 11000	BALANCER, wheel (30g)	0 - 2	

4

FIG. 35

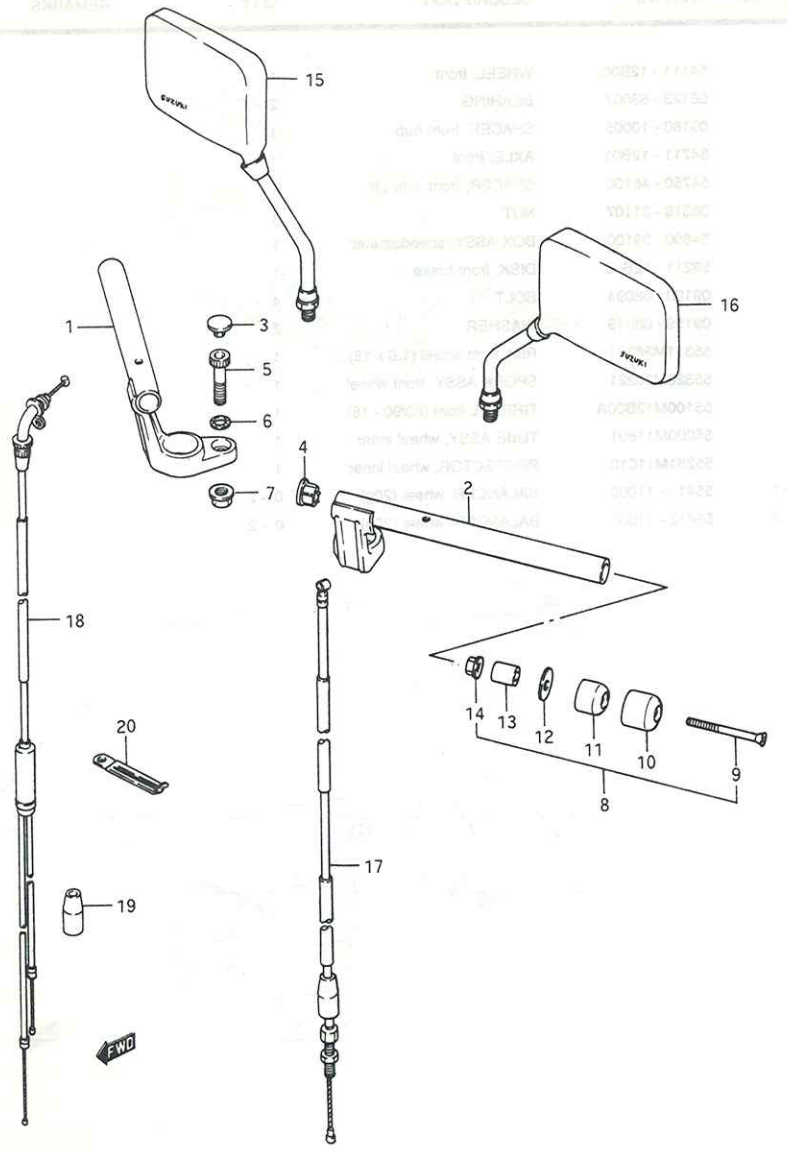


FIG. 35 (F-6) HANDLEBAR

REF. NO.	PART NO.	DESCRIPTION	QTY
1	56110 - 12B00	HANDLEBAR, RH	1
2	56150 - 12B00	HANDLEBAR, LH	1
3	09250 - 08010	CAP, handlebar holder	2
4	57215 - 33400	CAP, handlebar	2
5	09106 - 10041	BOLT, handlebar	2
6	09164 - 10005	WASHER	2
7	08319 - 31107	NUT	2
8	56200 - 33810	BALANCER SET, handlebar	2
9	02132 - 06505	.SCREW	2
10	56274 - 33400	.CAP, balancer	2
11	56271 - 33400	.BALANCER, handlebar	2
12	56275 - 34400	.SPACER, balancer	2
13	56272 - 44500	.EXPANDER	2
14	09159 - 06024	.NUT	2
15	56500M12B00	MIRROR ASSY, rear view RH	1
16	56600M12B00	MIRROR ASSY, rear view LH	1
17	58200M12B00	CABLE ASSY, clutch	1
18	58300M12B00	CABLE ASSY, throttle	1
19	09287 - 07002	DUST SEAL	1
20	09404 - 06404	CLAMP	1

FIG. 36

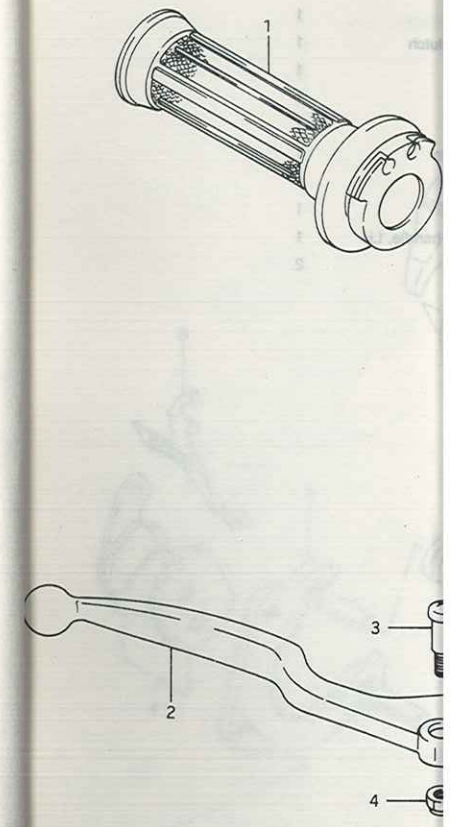






FIG. 38

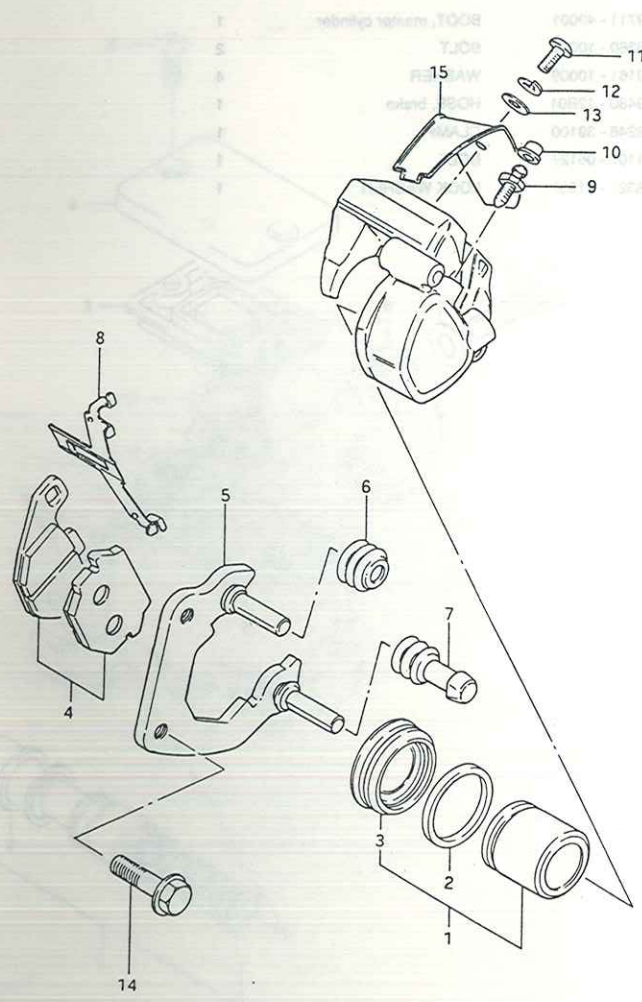
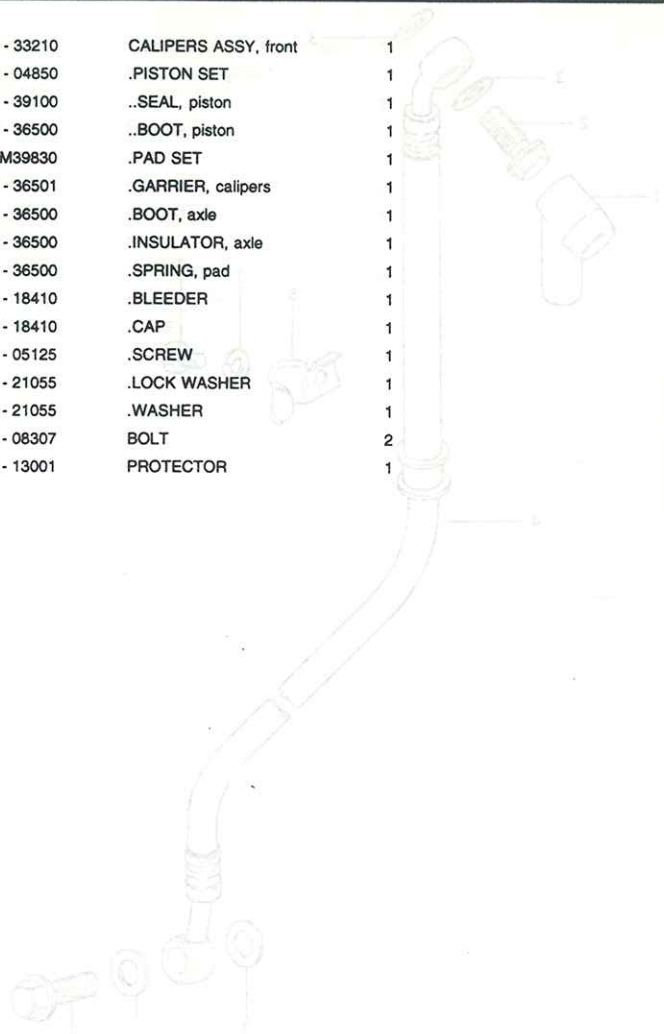


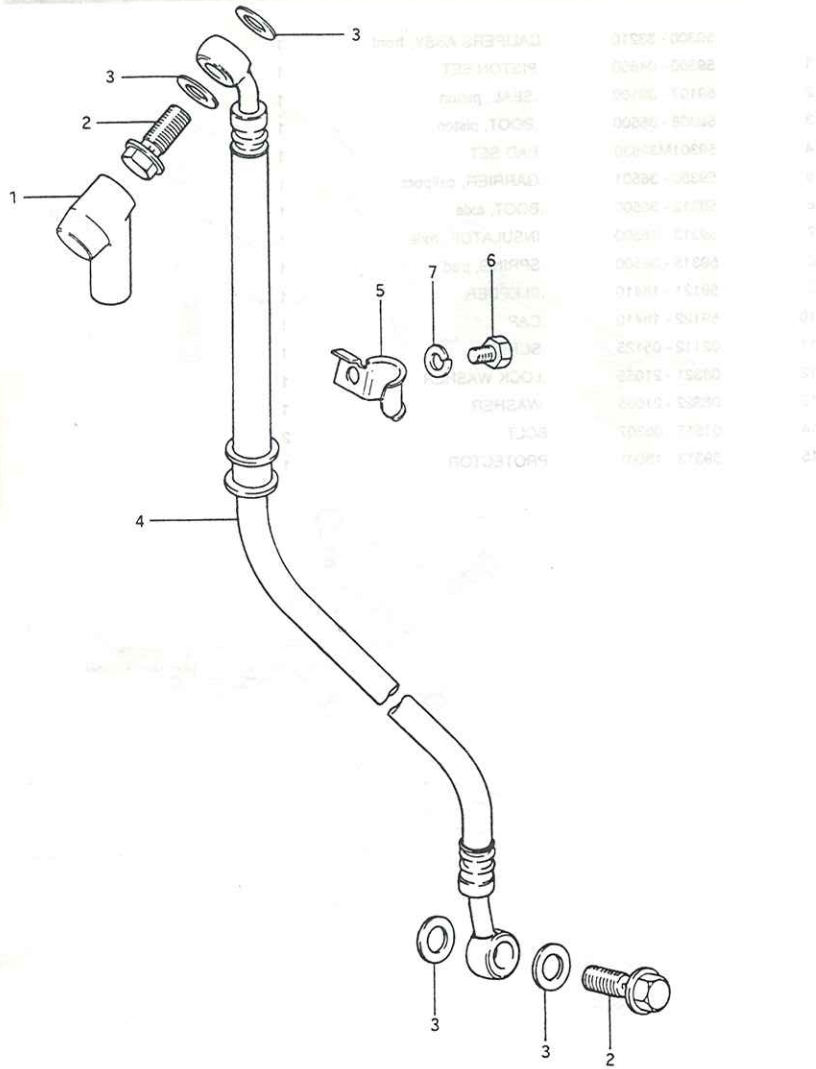
FIG. 38 (F-9) CALIPERS

REF. NO.	PART NO.	DESCRIPTION	QTY	REMARKS
	59300 - 33210	CALIPERS ASSY, front	1	
1	59300 - 04850	.PISTON SET	1	
2	59107 - 39100	..SEAL, piston	1	
3	59308 - 36500	..BOOT, piston	1	
4	59301M39830	.PAD SET	1	
5	59350 - 36501	.GARRIER, calipers	1	
6	59312 - 36500	.BOOT, axle	1	
7	59313 - 36500	.INSULATOR, axle	1	
8	59315 - 36500	.SPRING, pad	1	
9	59121 - 18410	.BLEEDER	1	
10	59122 - 18410	.CAP	1	
11	02112 - 05125	.SCREW	1	
12	08321 - 21055	.LOCK WASHER	1	
13	08322 - 21055	.WASHER	1	
14	01517 - 08307	BOLT	2	
15	59313 - 13001	PROTECTOR	1	



4

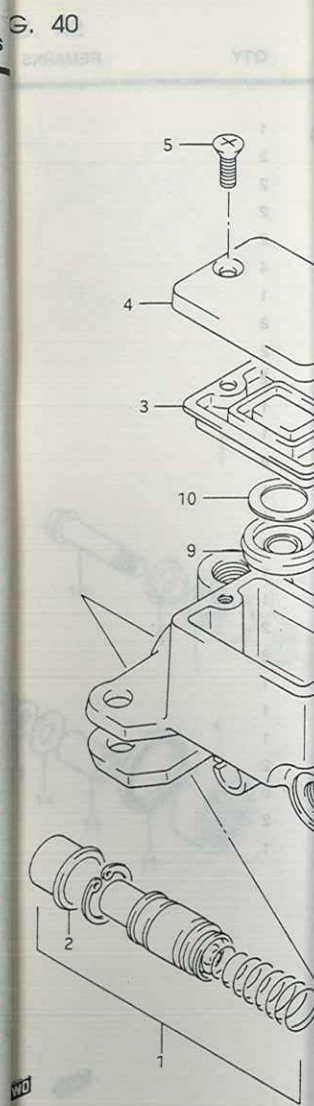
FIG. 39



4

FIG. 39 (F-10) BRAKE HOSE

REF. NO.	PART NO.	DESCRIPTION	QTY	REMARKS
1	59711 - 49001	BOOT, master cylinder	1	
2	09360 - 10017	BOLT	2	
3	09161 - 10009	WASHER	4	
4	59480 - 12B01	HOSE, brake	1	
5	59246 - 39100	CLAMP	1	
6	01107 - 06127	BOLT	1	
7	08321 - 21067	LOCK WASHER	1	





QTY

REMARKS

FIG. 40

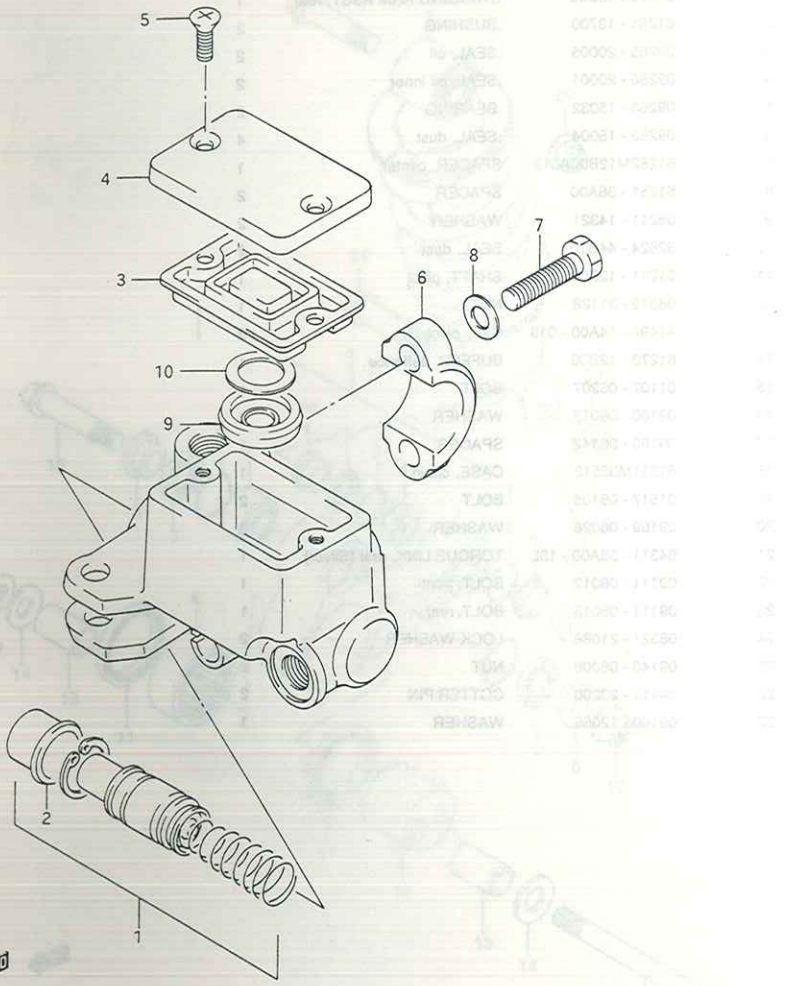


FIG. 40 (F-11) FRONT MASTER CYLINDER

REF. NO.	PART NO.	DESCRIPTION	QTY	REMARKS
	59600 - 13A10	CYLINDER ASSY, front master	1	
1	59600 - 13820	.PISTON & CUP SET	1	
2	59666 - 44300	.BOOT	1	
3	59667 - 04700	.DIAPHRAGM	1	
4	59669 - 04700	.CAP	1	
5	69689 - 49300	.SCREW	2	
6	59671 - 36500	.HOLDER	1	
7	01107 - 06255	.BOLT	2	
8	08322 - 21064	.WASHER	2	
9	59748 - 15400	.SEPARATOR	1	
10	59749 - 15400	.PLATE	1	

4

FIG. 41

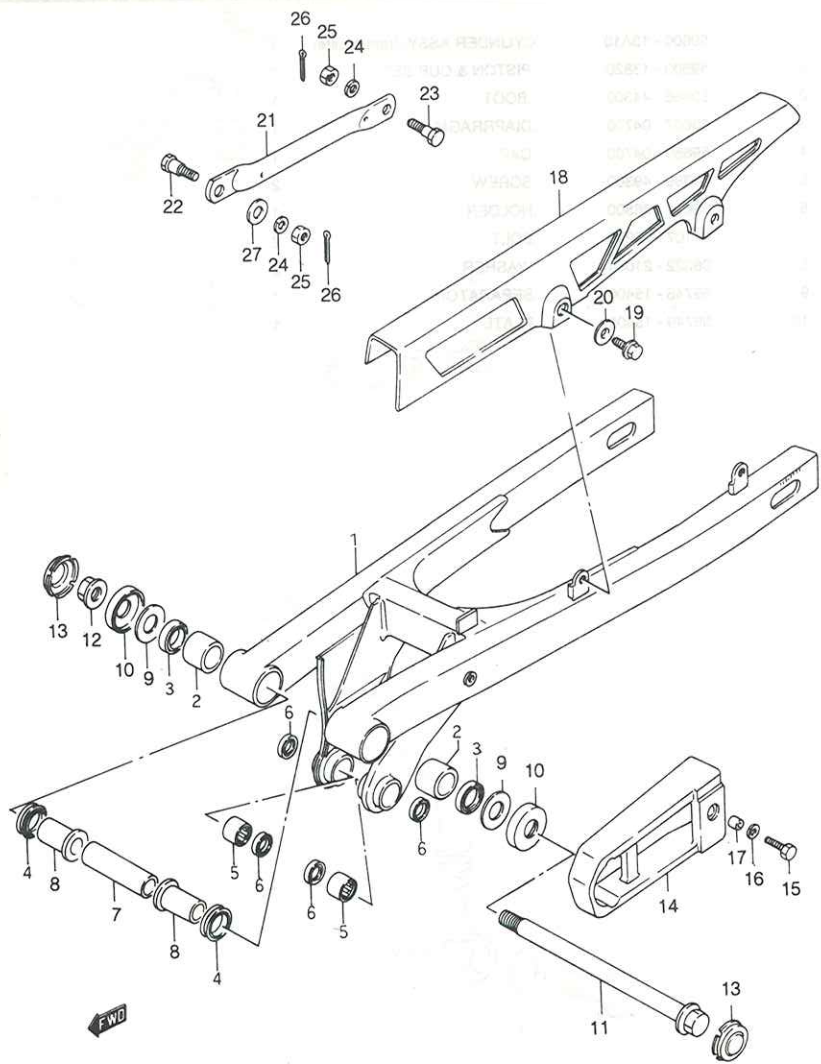
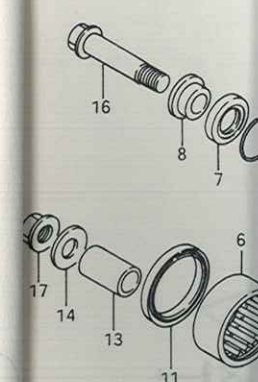


FIG. 41 (G-2) REAR SWINGING ARM

REF. NO.	PART NO.	DESCRIPTION	QTY	REMARKS
1	6100M12B00	SWINGING ARM ASSY, rear	1	
2	61261 - 13700	.BUSHING	2	
3	09285 - 20005	.SEAL, oil	2	
4	09286 - 20001	.SEAL, oil inner	2	
5	09263 - 15032	.BEARING	2	
6	09283 - 15004	.SEAL, dust	4	
7	61282M12B00A019	SPACER, center	1	
8	61251 - 36A00	SPACER	2	
9	08211 - 14321	WASHER	2	
10	62624 - 44B10	SEAL, dust	2	
11	61211 - 12B00	SHAFT, pivot	1	
12	08319 - 31128	NUT	1	
13	41499 - 14A00 - 019	CAP, pivot	2	
14	61273 - 12B00	BUFFER, defence	1	
15	01107 - 06207	BOLT	1	
16	09160 - 06019	WASHER	1	
17	09180 - 06142	SPACER	1	
18	61311M35512	CASE, chain	1	
19	01517 - 06105	BOLT	2	
20	09169 - 06026	WASHER	2	
21	64311 - 36A00 - 13L	TORQUE LINK, rear (Silver)	1	
22	09111 - 08012	BOLT, front	1	
23	09111 - 08013	BOLT, rear	1	
24	08321 - 21088	LOCK WASHER	2	
25	09140 - 08008	NUT	2	
26	04111 - 20208	COTTER PIN	2	
27	09160 - 12056	WASHER	1	

FIG. 42



QTY REMARKS

FIG. 42

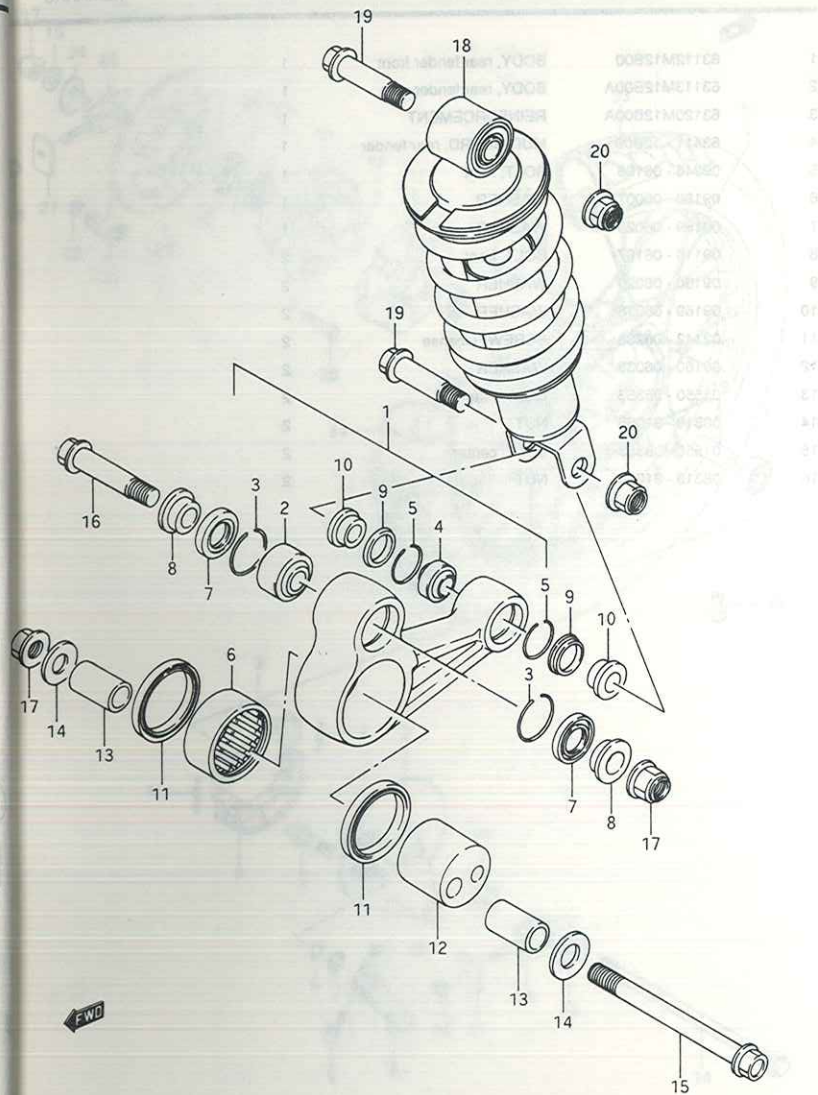


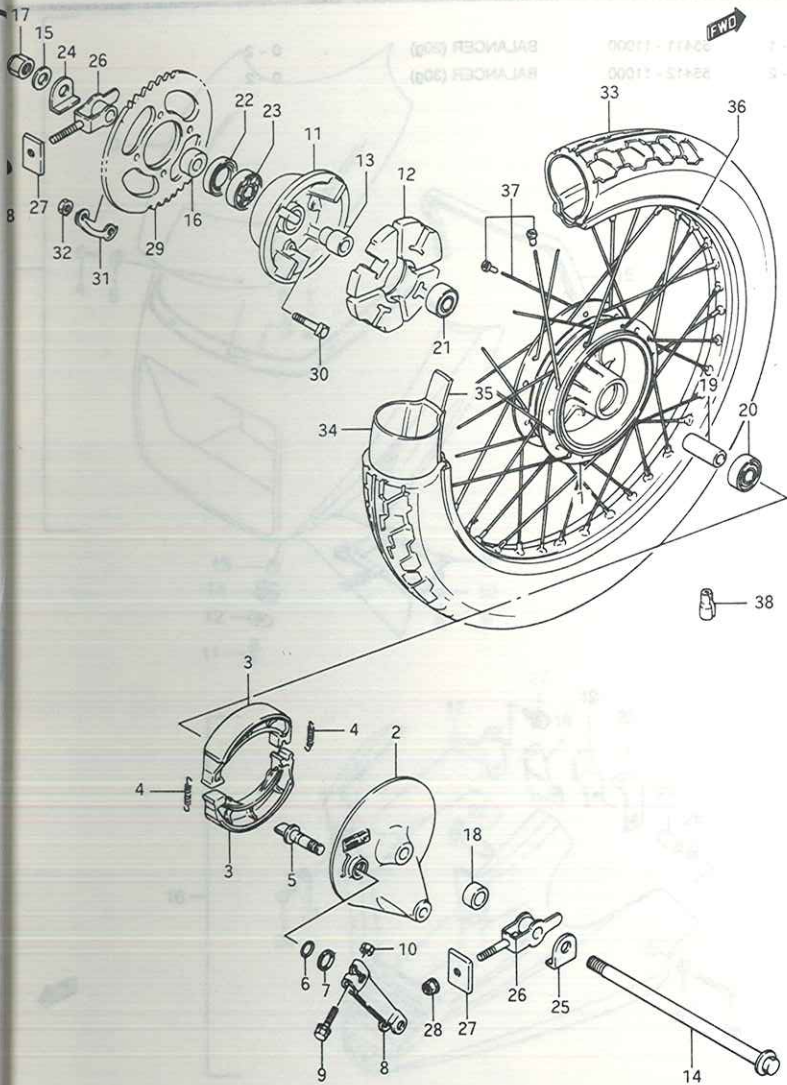
FIG. 42 (G-3) CUSHION LEVER

REF. NO.	PART NO.	DESCRIPTION	QTY	REMARKS
1	62600 - 12B52	LEVER SET, rear cushion	1	
2	09269 - 10007	.BEARING, front	1	
3	62657 - 34A01	.RING, stopper	2	
4	09269 - 10005	.BEARING, rear	1	
5	62657 - 14500	.RING, stopper	2	
6	09263 - 32009	.BEARING, center	1	
7	62683 - 43400	SEAL, dust front	2	
8	62684 - 43401	SPACER	2	
9	62647 - 14500	SEAL, dust rear	2	
10	62684 - 40A00	SPACER	2	
11	62624 - 27A20	SEAL, dust	2	
12	62623 - 34A00	ECCENTRIC SPACER	1	
13	62646 - 34A00	SPACER	2	
14	09160 - 10093	WASHER	2	
15	62621 - 27A10	SHAFT, lever	1	
16	09103 - 10143	BOLT, front	1	
17	08319 - 31107	NUT	2	
18	62100M12B01A	ABSORBER ASSY, rear shock	1	
19	09103 - 10149	BOLT	2	
20	08319 - 31107	NUT	2	

4



FIG. 44



QTY REMARKS

1  
1  
1  
1  
1  
1  
1  
2  
2  
2  
2  
2  
2  
2  
2

FIG. 44 (G-5) REAR WHEEL

REF. NO.	PART NO.	DESCRIPTION	QTY	REMARKS
1	64110 - 08B00	HUB, wheel	1	
2	64210 - 08B02	PANEL	1	
3	54410 - 07004	SHOE, brake	2	
4	09443 - 07001	SPRING	2	
5	54441 - 29304	CAM, brake	1	
6	09280 - 14003	O RING	1	
7	09160 - 14001	WASHER (14.5 x 22 x 1.6)	1	
8	64451 - 38210	LEVER, brake cam	1	
9	01517 - 06358	BOLT	1	
10	09159 - 06017	NUT	1	
11	64611 - 07000	DRUM, sprocket mounting	1	
12	64651 - 07001	SHOCK ABSORBER, hub	1	
13	64733 - 39100	RETAINER, mounting	1	
14	64711 - 12B01	AXLE, rear	1	
15	08322 - 11148	WASHER	1	
16	09180 - 15077	SPACER, LH	1	
17	09159 - 14008	NUT	1	
18	09180 - 15078	SPACER, RH	1	
19	09180 - 15011	SPACER, hub bearing	1	
20	08144 - 63027	BEARING, RH	1	
21	08143 - 62027	BEARING, LH	1	
22	09285 - 28001	OIL SEAL	1	
23	08113 - 62047	BEARING	1	
24	64712 - 36A00	WASHER, LH	1	
25	64712 - 36A10	WASHER, RH	1	
26	61410 - 12B00	ADJUSTER, chain	2	
27	61421 - 26502	PLATE, guide	2	
28	08319 - 31087	NUT	2	
29 - 1	64511 - 12B00	SPROCKET, rear (NT: 42)	1	
29 - 2	64511 - 12B10	SPROCKET, rear (NT: 41)	1	
30	09105 - 08001	BOLT	4	
31	09169 - 08012	WASHER	2	
32	08310 - 12088	NUT	4	
33	65100M12B00A	TIRE (90/90 - 18)	1	
34	55200M11601	TUBE, inner	1	
35	55261M11010	PROTECTOR	1	
36	55311M05300	RIM, wheel (1.60 - 18)	1	
37	65320M20120	SPOKE SET	1	

4

FIG. 44

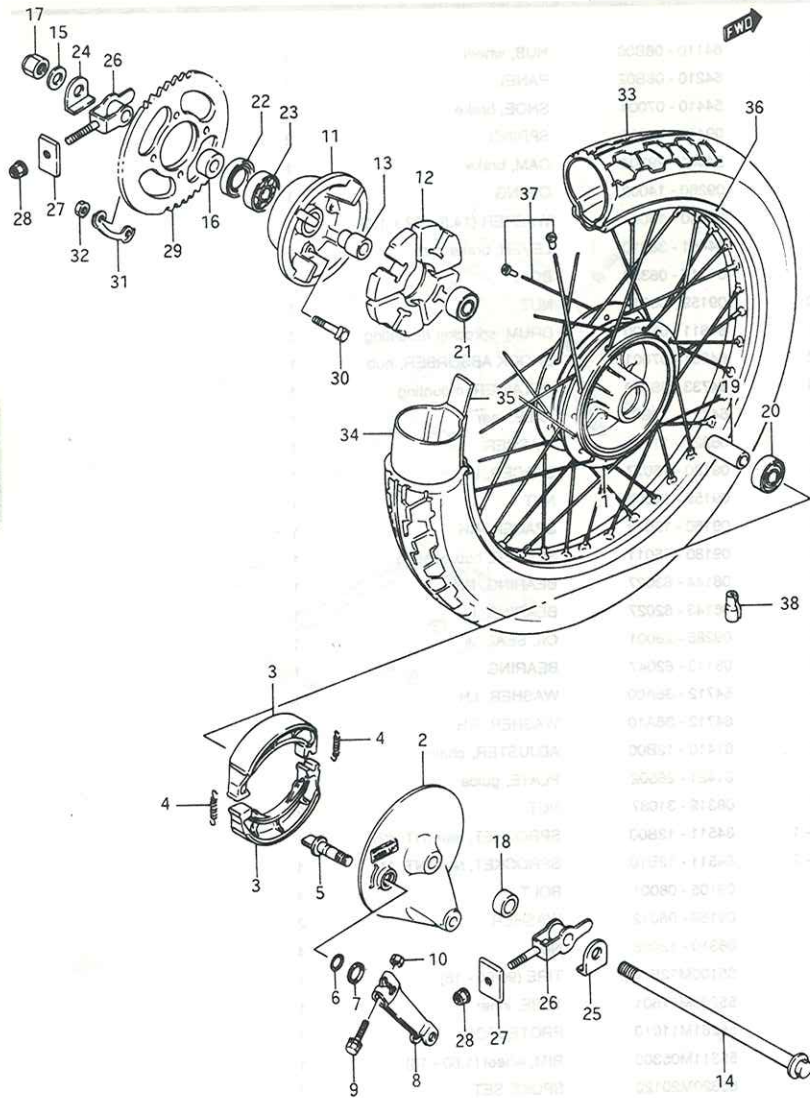
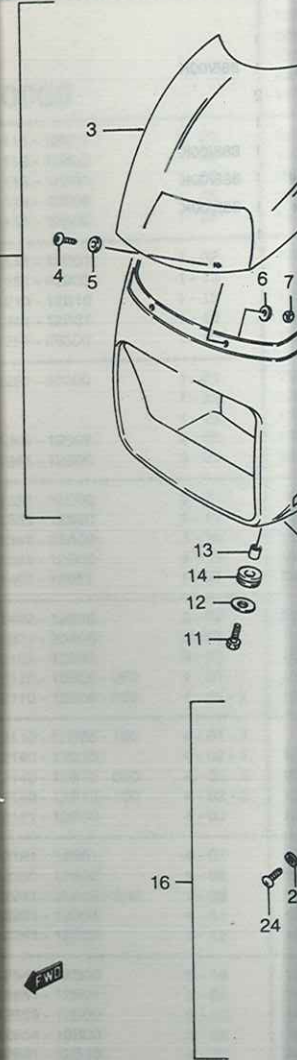


FIG. 44 (G-6) REAR WHEEL

REF. NO.	PART NO.	DESCRIPTION	QTY	REMARKS
38 - 1	55411 - 11000	BALANCER (20g)	0 - 2	
38 - 2	55412 - 11000	BALANCER (30g)	0 - 2	

FIG. 45



QTY REMARKS

G. 45

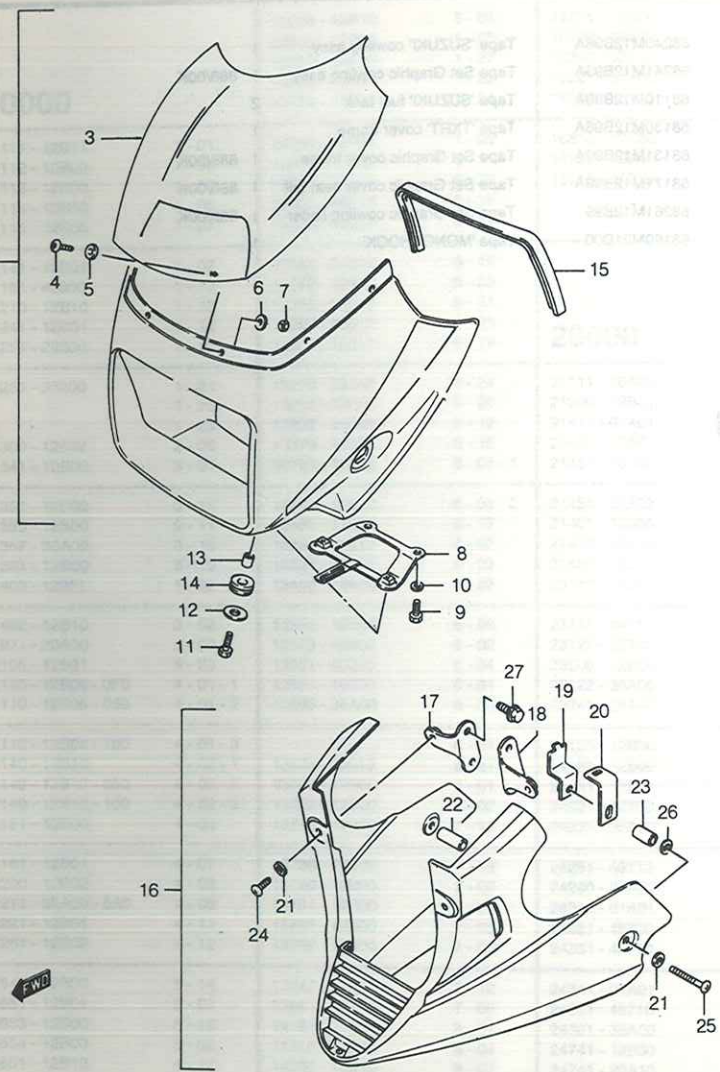


FIG. 45 (G-7) COWLING

REF. NO.	PART NO.	DESCRIPTION	QTY	REMARKS
1	94400M12B00A	COWLING ASSY	1	
2	94411M12B00A	BODY COMP	1	
3	94611M12B00A	.WINDOW	1	
4	02142 - 05123	.SCREW	6	
5	09320 - 05008	.CUSHION	6	
6	08322 - 01053	.WASHER	6	
7	08310 - 00053	.NUT	6	
8	94530 - 12B01	BRACKET	1	
9	01107 - 06125	BOLT	2	
10	08321 - 21064	LOCK WASHER	2	
11	01107 - 06165	BOLT, lower	2	
12	09160 - 06063	WASHER	2	
13	09180 - 06092	SPACER	2	
14	09320 - 08013	CUSHION	2	
15	94591M12B00	MOLDING, head lamp grille	1	
16	94470M12B00	COWLING ASSY, under	1	
17	94481 - 12B00	.BRACKET, RH	1	
18	94482 - 12B00	.BRACKET, LH	1	
19	94483 - 12B00	.BRACKET, inner	2	
20	94484 - 12B00	.BRACKET, outer	2	
21	09161 - 07005	.WASHER	4	
22	09180 - 08091	.SPACER, RH	1	
23	09180 - 08136	.SPACER, LH	1	
24	02142 - 06127	.SCREW	2	
25	02142 - 06557	.SCREW	2	
26	09160 - 06028	.WASHER	2	
27	01517 - 08168	BOLT	4	

4

FIG. 46



FIG. 46 (TAPE SET GRAPHIC)

REF. NO.	PART NO.	DESCRIPTION	QTY	REMARKS
1	68240M12B98A	Tape 'SUZUKI' cowling assy	1	
2	68241M12B99A	Tape Set Graphic cowling assy	1 888/00K	
3	68110M12B99A	Tape 'SUZUKI' fuel tank	2	
4	68130M12B98A	Tape 'TXRT' cover frame	1	
5	68131M12B99A	Tape Set Graphic cover frame	1 888/00K	
6	68171M12B99A	Tape Set Graphic cover seat tail	1 888/00K	
7	68261M12B99	Tape Set Graphic cowling linder	1 888/00K	
8	68160M21D00	Tape 'MONOSHOCK'	1	

PART NO. FIG. NO. - R

10000

11111 - 12B11	1
11112 - 12B00	1
11113 - 12B00	1
11114 - 12B00	1
11115 - 12B00	1
11141 - 12B01	1
11151 - 40900	1
11210 - 12B10	1
11241 - 12B01	1
11251 - 29300	1
11251 - 36200	1
11300 - 12892	3
11341 - 12B00	2
11351 - 12B00	3
11385 - 12B00	9
11387 - 36A00	3
11391 - 12B00	3
11400 - 12861	1
11482 - 12B10	3
11971 - 20A00	3
12105 - 12B31	4
12110 - 12B06 - 0F0	4
12110 - 12B06 - 050	4
12110 - 12B06 - 100	4
12140 - 12B10	4
12140 - 12B10 - 050	4
12140 - 12B10 - 100	4
12151 - 12B00	4
12161 - 12B01	4
12200 - 12B02	4
12211 - 36A00 - 0A0	4
12221 - 12B01	4
12261 - 12B02	4
12542 - 12B00	5
12651 - 12B01	5
12653 - 12B00	5
12654 - 12B00	5
12661 - 12B10	4



PART NO.	FIG. NO. - REF. NO.	PART NO.	FIG. NO. - REF. NO.	PART NO.	FIG. NO. - REF. NO.	PART NO.	FIG. NO. - REF. NO.	PART NO.	FIG. NO. - REF. NO.	PART NO.	FIG. NO. - REF. NO.	
<b>10000</b>		12666 - 12B10	5 - 03	14771 - 12B00	8 - 08	25211 - 41301	12 - 01	31497 - 45000	14 - 13	35613 - 27A00	18 - 03	
		12669 - 12B01	5 - 08	16100 - 12B10	9 - 01	25221 - 41301	12 - 02	32101 - 12B10	14 - 01		18 - 10	
		13110 - 12B00	1 - 27	16292 - 03112	9 - 08	25231 - 36A00	12 - 03	32102 - 12B10	14 - 07	35623 - 27A00	18 - 05	
		13115 - 13A20	1 - 29	16321 - 36A00	9 - 05	25310 - 12B01	12 - 06	32120 - 12B10	14 - 02		18 - 12	
		13150 - 12B00	1 - 24	16322 - 39100	9 - 06	25312 - 38A00	12 - 13	32140 - 12B10	14 - 04	35627 - 43010	19 - 04	
11111 - 12B11	1 - 01	13156 - 38100	1 - 25	16810 - 12B00	9 - 13	25322 - 31301	12 - 08	32351 - 39210	14 - 03	35710 - 12B20A	19 - 01	
11112 - 12B00	1 - 06	13200 - 12B32	6	16820 - 12B00	9 - 16	25323 - 34201	12 - 09	32800 - 31C20	15 - 01	35712 - 12B00A	19 - 02	
11113 - 12B00	1 - 08	13247 - 13A00	6 - 26	16910 - 31010	2 - 07	25324 - 34201	12 - 10	33410 - 12B10	15 - 04	35714 - 12B00A	19 - 14	
11114 - 12B00	1 - 05	13251 - 46010	6 - 18			25331 - 12B00	12 - 14	33510 - 22010	15 - 06	35725 - 40511	18 - 06	
11115 - 12B00	1 - 07	13252 - 46010	6 - 14			25332 - 38A00	12 - 15	33541 - 69010	15 - 07		18 - 13	
11141 - 12B01	1 - 02	13254 - 01010	6 - 15	<b>20000</b>		25341 - 12B00	12 - 18	33542 - 02310	15 - 08	35726 - 12B00A	19 - 15	
11154 - 40900	1 - 13	13267 - 12B00	6 - 23				25350 - 12B00	12 - 24	33610 - 02500	15 - 11	35970 - 17300	19 - 10
11210 - 12B10	1 - 15	13268 - 35010	6 - 21				25355 - 38A00	12 - 17	33680 - 09300	15 - 12	36300 - 12850	16 - 13
11241 - 12B01	1 - 16	13268 - 46010	6 - 25				25380 - 12B00	12 - 26	34100 - 12B30	16	36610 - 12B60	20 - 01
11251 - 29300	1 - 12	13269 - 15011	6 - 19				25385 - 12B00	12 - 28	34111 - 12B00	16 - 11	36740 - 04701	20 - 04
11251 - 36200	1 - 21	13278 - 02340	6 - 24	21111 - 36A00	4 - 19	25411 - 16701	12 - 04	34120 - 12B00	16 - 01	36862 - 27690	15 - 03	
	1 - 22	13295 - 33010	6 - 20	21200 - 12B01	10 - 01	25421 - 35401	12 - 05	34150 - 12B01	16 - 09	37100 - 12B00	20 - 06	
	1 - 23	13332 - 44080	6 - 12	21411 - 01A01	10 - 02	25510 - 12B00	12 - 29	34156 - 12B00	16 - 22	37145 - 16700	20 - 09	
11300 - 12892	2 - 01	13370 - 48051	6 - 16	21441 - 13A01	10 - 08	25520 - 47020	12 - 34	34157 - 12B00	16 - 08	37200 - 12B10	36 - 05	
11341 - 12B00	3 - 01	13383 - 12B00	6 - 08 - 1	21451 - 28000	10 - 09	25525 - 34300	12 - 37	34161 - 12B00	16 - 10	37400 - 12B10	37 - 09	
11351 - 12B00	3 - 11	13383 - 12B30	6 - 08 - 2	21451 - 36200	10 - 10	25600 - 12B01	12 - 39	34170 - 12B00	16 - 14	37720 - 12B00	12 - 43	
11385 - 12B00	9 - 11	13392 - 58600	6 - 17	21461 - 39300	10 - 14	25652 - 20C00	12 - 40	34173 - 12B00	16 - 15	37740 - 04A10	20 - 10	
11387 - 36A00	3 - 16	13394 - 10010	6 - 07	21471 - 36200	10 - 11	25652 - 49300	22 - 10	34183 - 12B00	16 - 12	37880 - 12B00	27 - 08	
11391 - 12B00	3 - 15	13394 - 33010	6 - 03	21481 - 39301	10 - 13	25671 - 36A00	12 - 32	34184 - 12B00	16 - 23	38501 - 12B30	20 - 12	
11400 - 12861	1 - 32	13400 - 12B00	6 - 22	23111 - 10200	10 - 15	26211 - 12B00	13 - 01	34220 - 12B00	16 - 02	38502 - 12B30	20 - 13	
11482 - 12B10	3 - 02	13551 - 12B00	6 - 09	23111 - 44111	10 - 16	26221 - 41100	13 - 02	34320 - 12B00	16 - 06	38516 - 12B20	20 - 14	
11971 - 20A00	3 - 09	13573 - 46900	6 - 02	23121 - 39101	10 - 17	26231 - 39300	13 - 04	34383 - 12B00	16 - 07	38610 - 09410	18 - 15	
12105 - 12B31	4 - 23	13581 - 40200	6 - 04	23200 - 12B00	10 - 20	26232 - 30000	13 - 08	34810 - 12B00	26 - 01			
12110 - 12B06 - 0F0	4 - 01 - 1	13681 - 16600	6 - 01	23222 - 36A00	10 - 26	26233 - 30000	13 - 09	34825 - 49001	26 - 02			
12110 - 12B06 - 050	4 - 01 - 2	13683 - 36A00	6 - 30	23241 - 36A00	10 - 24	26240 - 36A01	13 - 12	34885 - 40A00	26 - 05			
12110 - 12B06 - 100	4 - 01 - 3		6 - 31	24120 - 12B00	11 - 01	26260 - 36A01	11 - 26	34888 - 40A00	26 - 06			
12140 - 12B10	4 - 02 - 1	13693 - 30010	6 - 27	24121 - 12B00	11 - 02	26300 - 12B01	13 - 16	34910 - 12B00	16 - 26			
12140 - 12B10 - 050	4 - 02 - 2	13700 - 12B00	7 - 01	24131 - 12B01	11 - 11	26352 - 01000	13 - 17	34938 - 12B00	33 - 13			
12140 - 12B10 - 100	4 - 02 - 3	13729 - 12B00	7 - 02	24221 - 48700	11 - 03	26431 - 48000	9 - 19	34940 - 36A00	16 - 27			
12151 - 12B00	4 - 03	13735 - 12B00	7 - 15	24231 - 36A00	11 - 04	26441 - 48000	9 - 21	34950 - 12B00	16 - 18	<b>40000</b>		
12161 - 12B01	4 - 07	13736 - 12B00	7 - 16	24251 - 48712	11 - 05	27511 - 13700	11 - 31	34996 - 43410	16 - 19	41100 - 12B00A	21 - 01	
12200 - 12B02	4 - 06	13740 - 12B00	7 - 06	24260 - 36A00	11 - 06	27600 - 12B20 - 124	11 - 36	35100 - 12B30	17	41499 - 14A00 - 019	41 - 13	
12211 - 36A00 - 0A0	4 - 09	13781 - 12B00	7 - 04	24310 - 01A01	11 - 12			35111 - 36510	17 - 01	41620 - 12B10A	21 - 04	
12221 - 12B01	4 - 11	13791 - 12B00	7 - 05	24321 - 48700	11 - 13			35121 - 26432	17 - 02	41991 - 12B00 - 13L	21 - 02	
12261 - 12B02	4 - 12	13792 - 12B00	7 - 03	24331 - 48700	11 - 14			35128 - 36511	17 - 03	42100 - 12B10	22 - 01	
12542 - 12B00	5 - 14	13847 - 12B00	7 - 12	24341 - 01A01	11 - 15			35171 - 26431	17 - 04	42211 - 12B00	22 - 02	
12651 - 12B01	5 - 01	13881 - 12B00	7 - 09	24351 - 48710	11 - 16			35601 - 26B02 - 999	18 - 01	42310 - 12B00	22 - 05	
12653 - 12B00	5 - 16	14181 - 01D00	8 - 01	24361 - 36A00	11 - 17				18 - 08	43110 - 12B00	22 - 09	
12654 - 12B00	5 - 02	14310 - 12B03	8 - 04	24741 - 12B00	11 - 24			35612 - 12B01	18 - 02	43132 - 12B00	22 - 15	
12661 - 12B10	4 - 17	14330 - 12B10	8 - 07	24741 - 20A10	12 - 21	<b>30000</b>			18 - 09	43212 - 04700	22 - 13	

**5**

**5**

5

PART NO.	FIG. NO. - REF. NO.	PART NO.	FIG. NO. - REF. NO.	PART NO.	FIG. NO. - REF. NO.	PART NO.	FIG. NO. - REF. NO.	PART NO.	FIG. NO. - REF. NO.	PART NO.	FIG. NO. - REF. NO.
43251 - 12B00	22 - 12	<b>50000</b>		54600 - 39100	34 - 07	59301 - 39830	38 - 04	62684 - 40A00	42 - 10	<b>00000</b>	
43300 - 12B01	22 - 17			54711 - 12B01	34 - 04	59308 - 36500	38 - 03	62684 - 43401	42 - 08		
43501 - 12B10	23 - 01			54750 - 46100	34 - 05	59312 - 36500	38 - 06	63112 - 12B00	43 - 01		
43502 - 12B10	23 - 02			55100 - 12B00A	34 - 13	59313 - 13001	38 - 15	63113 - 12B00A	43 - 02		
43510 - 12B00	23 - 04			55200 - 11601	34 - 14	59313 - 36500	38 - 07	63120 - 12B00A	43 - 03		
43520 - 12B00	23 - 05	51103 - 12B00	31		44 - 34	59315 - 36500	38 - 08	63411 - 12B00	43 - 04	01107 - 05106	26 - 03
43551 - 12B00	23 - 03	51104 - 12B20	31	55261 - 11010	34 - 15	59350 - 36501	38 - 05	64110 - 08B00	44 - 01	01107 - 06125	45 - 09
	23 - 13	51110 - 12B00	31 - 09		44 - 35	59480 - 12B01	39 - 04	64210 - 08B00	44 - 02	01107 - 06127	39 - 06
43600 - 12B00	23 - 12 - 1	51130 - 12B00	31 - 01	55311 - 05300	44 - 36	59600 - 13A10	40	64311 - 36A00 - 13L	41 - 21	01107 - 06165	45 - 11
43631 - 34A00	23 - 08	51140 - 12B20	31 - 02	55311 - 36321	34 - 11	59600 - 13820	40 - 01	64451 - 38210	44 - 08	01107 - 06166	28 - 13
	23 - 14	51146 - 10300	31 - 10	55320 - 36221	34 - 12	59666 - 44300	40 - 02	64511 - 12B00	44 - 29 - 1		43 - 05
43700 - 12B00	23 - 12 - 2	51147 - 16510	31 - 06	55411 - 11000	34 - 16 - 1	59667 - 04700	40 - 03	64511 - 12B10	44 - 29 - 2	01107 - 06167	16 - 24
44100 - 12B00A	24 - 01	51148 - 41310	31 - 07		44 - 38 - 1	59669 - 04700	40 - 04	64611 - 07000	44 - 11		20 - 15
44200 - 12B00 - KEY	24 - 04	51153 - 36A00	31 - 03	55412 - 11000	34 - 16 - 2	59671 - 36500	40 - 06	64651 - 07001	44 - 12	01107 - 06207	12 - 35
44300 - 16701	25 - 01	51156 - 39260	31 - 04		44 - 38 - 2	59711 - 59001	39 - 01	64711 - 12B00	44 - 14		13 - 11
44330 - 12B00	25 - 15	51171 - 12B00	31 - 11	56110 - 12B00	35 - 01	59748 - 15400	40 - 09	64712 - 36A00	44 - 24	01107 - 06255	41 - 15
44371 - 12B00	25 - 12	51172 - 18630	31 - 14	56150 - 12B00	35 - 02	59749 - 15400	40 - 10	64712 - 36A10	44 - 25	01107 - 06306	40 - 07
44511 - 34A00	24 - 05	51173 - 36A00	31 - 05	56200 - 33810	35 - 08			64733 - 39100	44 - 13	01107 - 06306	24 - 07
44545 - 04700	24 - 12	51176 - 12B00	31 - 15	56271 - 33400	35 - 11			65100 - 12B00A	44 - 33	01107 - 08167	33 - 11
44611 - 12B00A	27 - 01	51177 - 36A00	31 - 11	56272 - 44500	35 - 13			65320 - 20120	44 - 37	01107 - 08255	8 - 02
44614 - 12B00A	27 - 09	51181 - 25010	31 - 16	56274 - 33400	35 - 10			68241 - 27A00	24 - 02	01107 - 12358	32 - 11
44615 - 12B00A	27 - 10	51195 - 36220	31 - 08	56275 - 34400	35 - 12			68242 - 12B00	24 - 03	01204 - 08257	33 - 07
44651 - 04701	27 - 02	51196 - 36A00	31 - 12	56500 - 12B00	35 - 15			69689 - 49300	40 - 05	01421 - 08255	1 - 18
44661 - 04700	27 - 03	51311 - 12B00 - 15T	32 - 01	56600 - 12B00	35 - 16					01421 - 08355	1 - 19
44682 - 04700	27 - 04	51351 - 12B00	31 - 17	57110 - 16710	36 - 01					01517 - 06105	41 - 19
45100 - 12B00A	28 - 01	51351 - 20010	32 - 04	57211 - 34310	37 - 01	61000 - 12B00	41 - 01			01517 - 06108	7 - 13
45117 - 12B00A	28 - 02	51356 - 22012	32 - 05	57215 - 33400	35 - 04	61211 - 12B00	41 - 11			01517 - 06164	21 - 11
45118 - 12B00A	28 - 03	51410 - 12B00 - 15T	32 - 02	57421 - 13000	36 - 02	61251 - 36A00	41 - 08			01517 - 06358	43 - 13
45119 - 12B00	24 - 06	51455 - 36010	32 - 10	57431 - 13010	36 - 03	61261 - 13700	41 - 02				44 - 09
45147 - 23450	28 - 06	51530 - 12B10 - 15T	32 - 07	57431 - 33450	37 - 04	61273 - 12B00	41 - 14	<b>90000</b>		01517 - 08167	8 - 09
45149 - 31300	28 - 11	51540 - 12B10 - 15T	32 - 08	57441 - 11010	37 - 06	61282 - 12B00A	41 - 07	94400 - 12B00A	45 - 01		21 - 03
45150 - 23450	28 - 04	51553 - 29311	32 - 09	57442 - 11010	37 - 07	61311 - 12B00 - 19K	41 - 18	94411 - 12B00A	45 - 02	01517 - 08168	45 - 27
45219 - 23450	28 - 07	51611 - 20002	32 - 16	57451 - 49100	37 - 08	61410 - 12B00	44 - 26	94470 - 12B00 - 14L	45 - 16	01517 - 08307	38 - 14
45511 - 12B00A	29 - 01	51611 - 33002	32 - 17	57460 - 13001	36 - 07	61421 - 26502	44 - 27	94481 - 12B00	45 - 17	05157 - 08358	43 - 15
45520 - 12B00A	29 - 06	51621 - 28000	32 - 15	57500 - 34A01	37 - 02	62100 - 12B00A	42 - 18	94482 - 12B00	45 - 18	01550 - 06103	27 - 11
46210 - 12B00A	21 - 05	51621 - 33001	32 - 03	57620 - 33451	37 - 03	62600 - 12852	42 - 01	94483 - 12B00	45 - 19	02112 - 03086	6 - 05
47111 - 12B00A	30 - 01	51631 - 28000	32 - 13	58200 - 12B00	35 - 17	62621 - 27A10	42 - 15	94484 - 12B00	45 - 20	02112 - 03106	16 - 03
47169 - 34A00	30 - 03	51643 - 25001	32 - 14	58300 - 12B00	35 - 18	62623 - 34A00	42 - 12	94530 - 12B00	45 - 08	02112 - 04167	6 - 28
47211 - 12B00A	30 - 02	51811 - 39300	33 - 01	59107 - 39100	38 - 02	62624 - 44B10	41 - 10	94591 - 12B00	45 - 15		14 - 05
47411 - 12B00	15 - 09	51860 - 45000	33 - 02	59121 - 18410	38 - 09	62624 - 27A20	42 - 11	94611 - 12B00A	45 - 03	02112 - 05086	26 - 08
47432 - 12B00	7 - 11	53111M12B00A	33 - 08	59122 - 18410	38 - 10	62646 - 34A00	42 - 13	95700 - 09850	28 - 15	02112 - 05088	14 - 14
47511 - 12B00	21 - 09	53211 - 12B00A	33 - 09	59211 - 12B00	34 - 08	62647 - 14500	42 - 09			02112 - 05107	9 - 12
47521 - 12B00	21 - 10	54111 - 12B00	34 - 01	59246 - 39100	39 - 05	62657 - 14500	42 - 05			02112 - 05125	38 - 11
		54410 - 07004	44 - 03	59300 - 36830	38 - 01	62657 - 34A01	42 - 03			02112 - 05128	12 - 45
		54441 - 29304	44 - 05	59300 - 39371	38	62683 - 43400	42 - 07				17 - 06

PART NO.	FIG. NO. - REF. NO.	PART NO.	FIG. NO. - REF. NO.	PART NO.	FIG. NO. - REF. NO.	PART NO.	FIG. NO. - REF. NO.	PART NO.	FIG. NO. - REF. NO.		
02112 - 05168	9 - 03 10 - 25	04211 - 09129	22 - 14 3 - 03	08319 - 31087 08319 - 31088 08319 - 31107	44 - 28 43 - 16 34 - 06	08322 - 21108 08331 - 21409 08331 - 31128 08331 - 31159 08332 - 11058	14 - 10 5 - 18 12 - 42 11 - 27 30 - 05	09159 - 14008 09160 - 05031 09160 - 06007	44 - 17 16 - 20 27 - 07 28 - 13 29 - 04	09169 - 08019 09169 - 08034 09180 - 06072 09180 - 06092 09180 - 06142	34 - 10 33 - 10 24 - 11 45 - 13 41 - 17
02112 - 05455 02112 - 05505 02112 - 06108 02112 - 06123 02112 - 06126	36 - 06 3 - 12 14 - 17 15 - 02 25 - 02	06111 - 08003 07110 - 08165 07110 - 08168 07110 - 08258 07110 - 08305	32 - 19 20 - 07 23 - 06 8 - 05 32 - 06	08319 - 31128 08321 - 21036 08321 - 21047	42 - 20 41 - 12 6 - 06 16 - 04 6 - 29	08341 - 31039 08341 - 31049 08341 - 31059 09100 - 08094	5 - 17 14 - 11 5 - 06 4 - 22 34 - 09	09160 - 06019 09160 - 06020 09160 - 06028	43 - 06 41 - 16 10 - 22 43 - 09 45 - 26	09180 - 08030 09180 - 08091 09180 - 08136 09180 - 10005 09180 - 12083	33 - 03 45 - 22 45 - 23 34 - 03 12 - 30
02112 - 06128 02112 - 06205 02112 - 06255	11 - 25 12 - 22 25 - 13 1 - 26 3 - 06	08113 - 60020 08113 - 62047 08123 - 63007 08143 - 62027 08144 - 63027	11 - 10 44 - 23 34 - 02 44 - 21 44 - 20	08321 - 21055 08321 - 21056 08321 - 21057	14 - 06 38 - 12 26 - 04 26 - 09 9 - 04	09100 - 08193 09103 - 10062 09103 - 10073 09103 - 10143 09103 - 10149	13 - 18 2 - 10 2 - 11 42 - 16 42 - 19	09160 - 06039 09160 - 06063 09160 - 08003 09160 - 10093	21 - 08 43 - 12 45 - 12 9 - 20 42 - 14	09180 - 15011 09180 - 15077 09180 - 15078 09180 - 20080 09181 - 25051	44 - 19 44 - 16 44 - 18 11 - 32 4 - 16 - 1
02112 - 06305 02112 - 06455 02112 - 06504 02112 - 06555	2 - 03 3 - 05 2 - 04 3 - 04 2 - 05	08211 - 06161 08211 - 14321 08211 - 15201 08211 - 15261 08211 - 17283	12 - 23 41 - 10 11 - 30 11 - 18 10 - 05	08321 - 21064 08321 - 21066	17 - 07 45 - 10 24 - 08 25 - 03 25 - 14	09105 - 08001 09106 - 10041 09108 - 08144 09111 - 08012 09111 - 08013	44 - 30 35 - 05 1 - 03 41 - 22 41 - 23	09160 - 12011 09160 - 12056 09160 - 14001 09160 - 16003 09160 - 22010	12 - 41 41 - 27 44 - 07 13 - 13 4 - 08	09181 - 25052 09181 - 25053 09181 - 25054 09181 - 25055 09181 - 25056	4 - 16 - 2 4 - 16 - 3 4 - 16 - 4 4 - 16 - 5 4 - 16 - 6
02112 - 06654 02112 - 75127 02122 - 06128 02132 - 05105 02132 - 06505	2 - 06 15 - 05 12 - 19 3 - 17 35 - 09	08211 - 17341 08211 - 20261 08211 - 20281 08212 - 06201 08221 - 15205	13 - 06 11 - 08 13 - 14 28 - 05 11 - 28	08321 - 21067 08321 - 21084 08321 - 21088	20 - 08 39 - 07 8 - 03 33 - 06 33 - 12	09111 - 10014 09116 - 06167 09116 - 06168 09119 - 08014	22 - 07 43 - 08 27 - 06 28 - 16 9 - 09	09160 - 25059 09161 - 07005 09161 - 10009 09164 - 10005 09164 - 10008	12 - 27 45 - 21 39 - 03 35 - 06 5 - 20	09181 - 25057 09181 - 25058 09181 - 25059 09181 - 25060 09181 - 25061	4 - 16 - 7 4 - 16 - 8 4 - 16 - 9 4 - 16 - 10 4 - 16 - 11
02142 - 05124 02142 - 05164 02142 - 05455 02142 - 05505	45 - 04 21 - 12 1 - 11 1 - 10 7 - 07	08310 - 11067 08310 - 12055 08310 - 12088 08310 - 22058	12 - 36 45 - 07 9 - 10 44 - 32 16 - 21	08321 - 21107 08321 - 21128 08321 - 31067 08322 - 11068	41 - 24 14 - 09 32 - 12 20 - 16 16 - 25	09126 - 06007 09128 - 06006 09128 - 06037 09134 - 06010 09135 - 06002	5 - 15 25 - 16 3 - 07 10 - 21 9 - 23	09164 - 12020 09164 - 16003 09164 - 20004 09164 - 98001 09166 - 16009	5 - 10 11 - 29 13 - 15 10 - 12 4 - 21	09181 - 25062 09181 - 25063 09181 - 25064 09200 - 06057 09200 - 06058	4 - 16 - 12 4 - 16 - 13 4 - 16 - 14 23 - 15 23 - 09
02142 - 05605 02142 - 06126 02142 - 06127 02142 - 06163 02142 - 06165	1 - 09 7 - 14 45 - 24 30 - 04 21 - 07	08310 - 22067 08310 - 22108 08316 - 10053 08316 - 10063	10 - 23 22 - 16 22 - 08 19 - 11 19 - 09	08322 - 11088 08322 - 11148 08322 - 21036 08322 - 21055	33 - 05 44 - 15 16 - 05 38 - 13 45 - 06	09136 - 06022 09140 - 06011 09140 - 08008 09140 - 10003 09140 - 10026	29 - 03 12 - 38 41 - 25 14 - 08 5 - 19	09166 - 17006 09167 - 17002 09167 - 20006 09167 - 20011 09168 - 06001	5 - 07 10 - 04 11 - 35 11 - 20 3 - 08	09202 - 05027 09206 - 13004 09209 - 05011 09209 - 11002 09247 - 14031	5 - 04 2 - 02 12 - 46 22 - 19 2 - 08
02142 - 06205 02142 - 06557 02152 - 05128 02152 - 06127 03211 - 04208	43 - 11 45 - 25 14 - 12 15 - 10 19 - 03	08316 - 16085 08316 - 16088 08316 - 16105	19 - 13 1 - 20 1 - 04 8 - 10 18 - 07	08322 - 21057 08322 - 21064 08322 - 21066	17 - 08 19 - 11 40 - 08 24 - 09 28 - 08	09140 - 12031 09140 - 16002 09140 - 16014 09140 - 20001 09148 - 04019	5 - 09 4 - 20 10 - 03 11 - 34 19 - 07	09168 - 06010 09168 - 14004 09169 - 06003 09169 - 06016	25 - 17 2 - 09 13 - 10 29 - 05 43 - 10	09250 - 06008 09250 - 08010 09250 - 14006 09261 - 02001	23 - 07 35 - 03 21 - 06 9 - 07 10 - 07
04111 - 20158 04111 - 20208 04111 - 25156 04111 - 30308	22 - 22 41 - 26 23 - 11 23 - 16 22 - 03	08316 - 35066 08319 - 21065 08319 - 31066	18 - 14 28 - 09 36 - 04 37 - 05 43 - 14	08322 - 21066 08322 - 21067	19 - 15 9 - 24 22 - 21 23 - 10 23 - 17	09150 - 06009 09159 - 06017 09159 - 06024 09159 - 10044	22 - 20 12 - 16 44 - 10 35 - 14 2 - 12	09169 - 06010 09169 - 06010 09169 - 06025 09169 - 06026 09169 - 08012	30 - 06 19 - 08 43 - 07 41 - 20 44 - 31	09261 - 05003 09262 - 17028 09262 - 17029 09262 - 20062	12 - 11 5 - 12 5 - 13 11 - 09 11 - 22

5

5

PART NO.	FIG. NO. - REF. NO.	PART NO.	FIG. NO. - REF. NO.	PART NO.	FIG. NO. - REF. NO.
09262 - 25002	12 - 20	09380 - 20007	11 - 07	09471 - 12100	16 - 17
09262 - 25086	4 - 15		11 - 19	09481 - 15101	20 - 05
09263 - 10002	10 - 18	09381 - 14001	4 - 04	09482 - 00175	1 - 14
09263 - 14019	4 - 05	09401 - 04401	9 - 17	09491 - 50003	6 - 11 - 2
09263 - 15024	11 - 21	09401 - 08401	9 - 15	09491 - 38003	6 - 11 - 1
09263 - 15032	41 - 05		25 - 10	09492 - 25003	6 - 13
09263 - 22047 - 080	4 - 10	09401 - 08402	26 - 11	09494 - 00533	6 - 10 - 1
09263 - 32009	42 - 06	09401 - 10401	25 - 11	09494 - 00551	6 - 10 - 2
09269 - 10005	42 - 04	09401 - 13301	1 - 30	09800 - 00328	21 - 13
09269 - 10007	42 - 02	09402 - 44207	1 - 28	09826 - 00001	46 - 04
09280 - 10001	9 - 22	09402 - 50207	7 - 08		
09280 - 14003	44 - 06	09402 - 56207	7 - 10		
09280 - 17003	3 - 10	09403 - 06307	14 - 15		
09280 - 20001	11 - 33	09404 - 05402	26 - 07		
09280 - 20003	9 - 02	09404 - 06404	35 - 20		
09280 - 22001	4 - 19	09404 - 06415	14 - 16		
09280 - 26003	12 - 44	09404 - 06422	9 - 18		
09283 - 15004	41 - 06	09407 - 05406	20 - 02		
09283 - 17016	5 - 11	09407 - 05407	1 - 31		
09283 - 25079	4 - 14	09407 - 14403	20 - 03 - 1		
09283 - 27012	11 - 23	09407 - 18402	20 - 03 - 2		
09285 - 06006	10 - 19	09409 - 06322	29 - 6		
09285 - 12002	12 - 33	09440 - 04003	12 - 12		
09285 - 16002	13 - 07	09440 - 04010	12 - 47		
09285 - 20005	41 - 03	09440 - 09004	22 - 18		
09285 - 28001	44 - 22	09440 - 09028	5 - 05		
09286 - 20001	41 - 04	09440 - 10019	25 - 09		
09287 - 07002	35 - 19	09440 - 13031	25 - 07		
09289 - 32003	4 - 13	09440 - 13034	25 - 05		
09308 - 08001	9 - 14	09440 - 32002	13 - 05		
09320 - 05008	45 - 05	09443 - 06012	20 - 11		
09320 - 08013	45 - 14	09443 - 07001	44 - 04		
09320 - 08028	29 - 11	09443 - 08001	10 - 27		
09320 - 10020	24 - 10	09443 - 09039	12 - 25		
09321 - 06023	19 - 07	09443 - 12018	10 - 06		
09321 - 10002	8 - 06	09443 - 14024	22 - 06		
09321 - 10012	28 - 12	09443 - 18009	22 - 04		
09321 - 10022	28 - 10	09444 - 26023	12 - 31		
09329 - 12002	33 - 04	09448 - 31033	22 - 11		
09343 - 05096	25 - 08	09448 - 45008	13 - 03		
09343 - 05165	26 - 10	09471 - 12127	19 - 05		
	27 - 05	09471 - 12066	18 - 04		
09343 - 07073	25 - 06		18 - 11		
09343 - 07140	25 - 04	09471 - 12033	17 - 05		
09360 - 10017	39 - 02	09471 - 12077	16 - 16		