



SUZUKI ***VR125***

PARTS CATALOGUE

2002

VR125



PHOTO : VR125

INFORMATION
ILLUSTRATION INDEX

1

ENGINE
TRANSMISSION

2

ELECTRICAL

3

BODY

4

PARTS NUMBER INDEX

5

PREFACE

When it becomes necessary to replace parts on SUZUKI MOTORCYCLES, always use SUZUKI GENUINE PARTS which have passed a strict inspection which guarantees quality and performance.

This parts catalogue covers the list of all service parts for SUZUKI VR125

INSTRUCTIONS FOR QUOTING THE CATALOGUE

1. DIMENSIONS

Dimension of the parts in this catalogue are indicated in unit millimeters.

2. ABBREVIATIONS

Abbreviations used in this catalogue are as follows:

| | | | |
|----------|---------------------------|-----|--------------|
| AR | : As required | NT | : Number |
| ASSY | : Assembly | OPT | : Optional |
| E.No. | : Engine number | OS | : Over size |
| F.No. | : Frame number | STD | : Standard |
| d | : Diameter of material | T | : Thickness |
| ID | : Inside diameter | US | : Under size |
| OD | : Outside diameter | W | : Width |
| L | : Length | | |
| LH | : Left hand side | | |
| RH | : Right hand side | | |
| ~ 100045 | : Up to F.No.BE43A-100045 | | |
| 100046~ | : From F.No.BE43A-100046 | | |

12 X 34 X 5.6 ----- Figures in the description column
show the dimension of parts.

ID OD T(or W,L)

-> 12345-56781 (Part No.) : indicates that the parts number was changed to 12345-56781 and the new parts are interchangeable with the former ones but the former ones not interchangeable with new ones.

<- 12345-56781 (Part no.) : indicates that the former and new parts are interchangeable with each other and both are usable.

FIG. 1

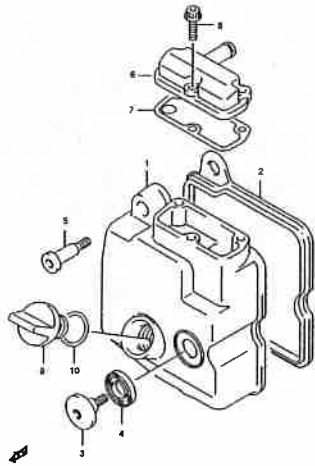


FIG. 2

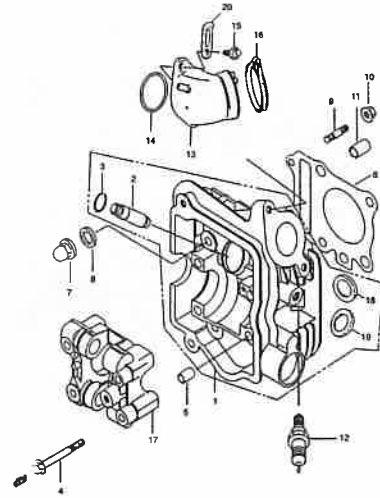


FIG. 3

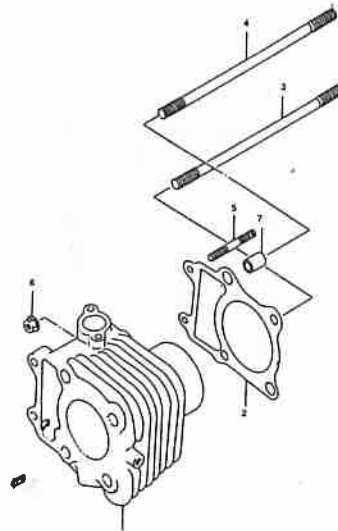


FIG. 4

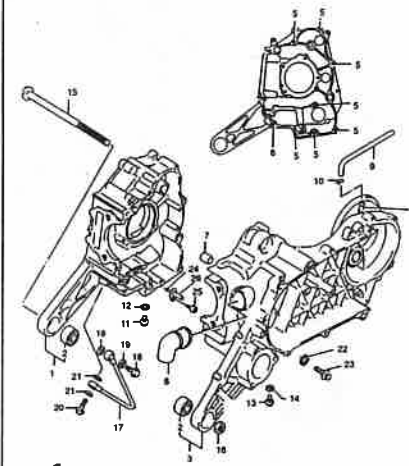


FIG. 5

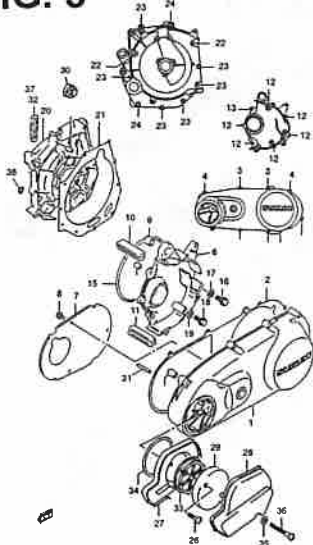


FIG. 6

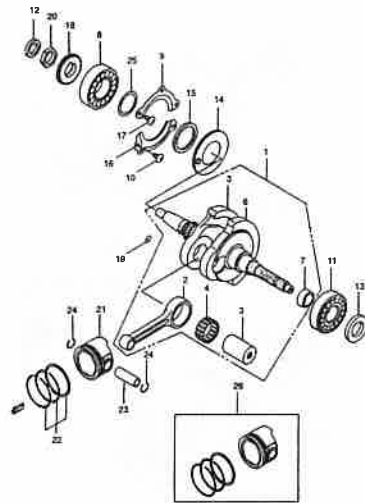


FIG. 7

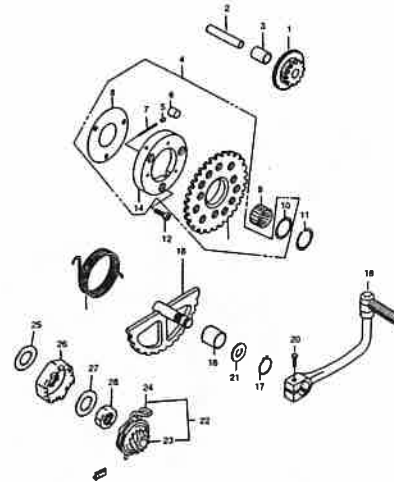
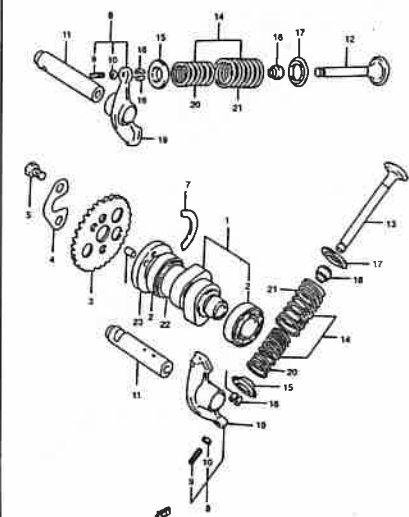


FIG. 8



1

FIG. 9

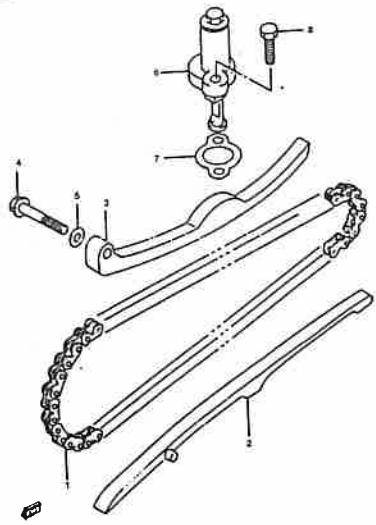


FIG. 10

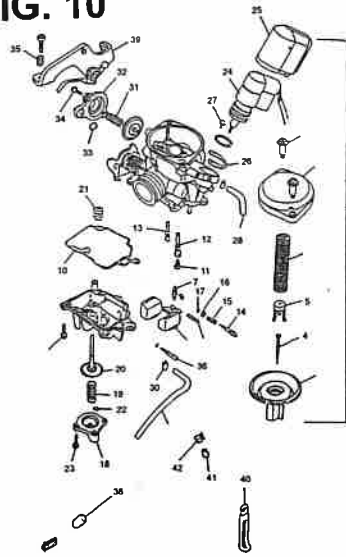


FIG. 11

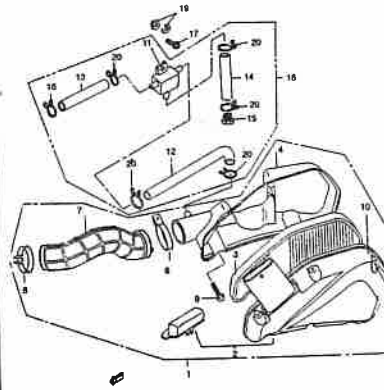


FIG. 12

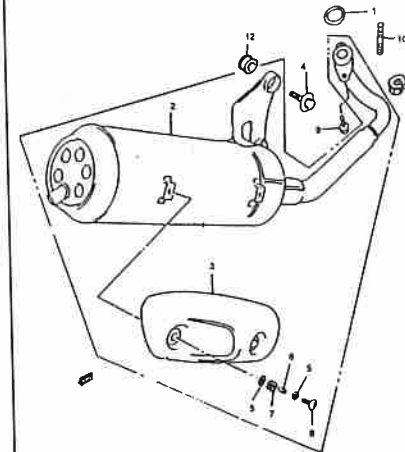


FIG. 13

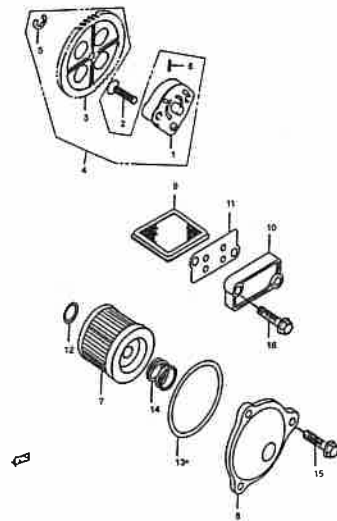


FIG. 14

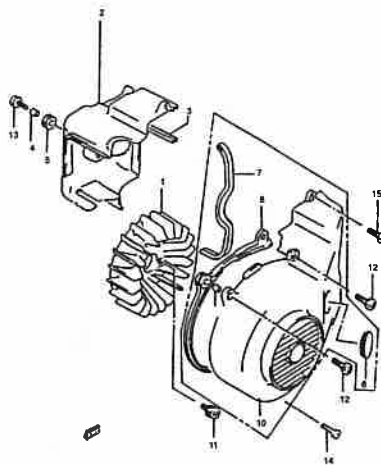


FIG. 15

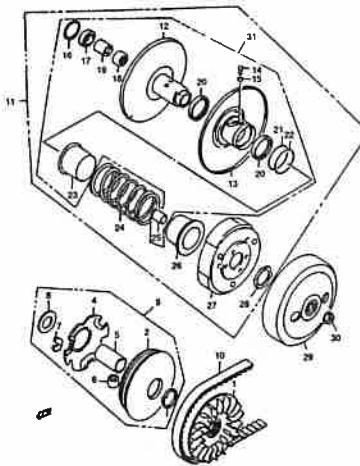


FIG. 16

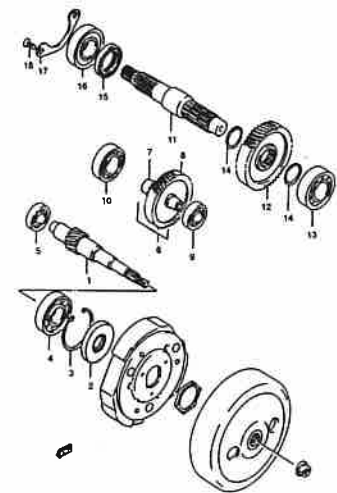


FIG. 17

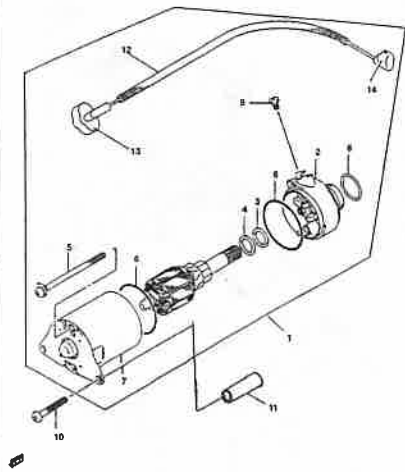


FIG. 18

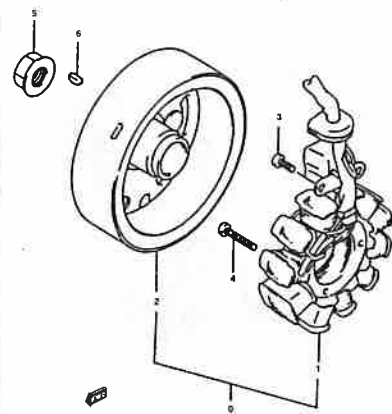


FIG. 19

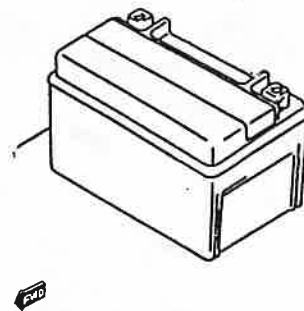


FIG. 20

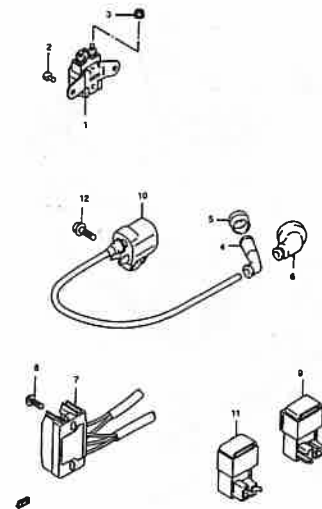


FIG. 21

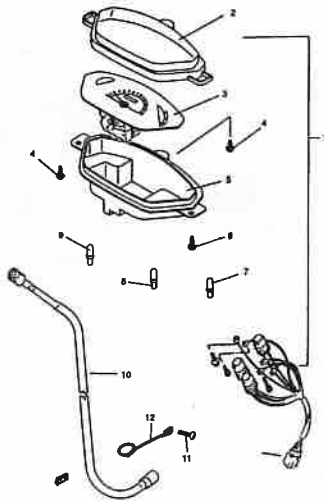


FIG. 22

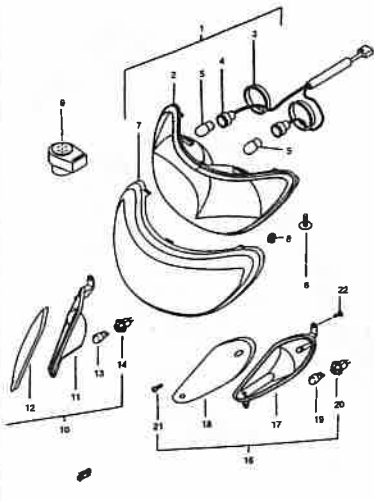


FIG. 23

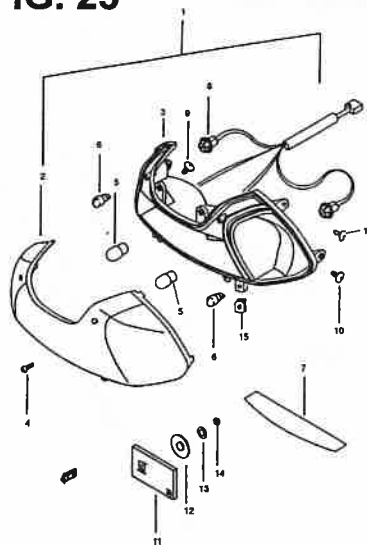


FIG. 24

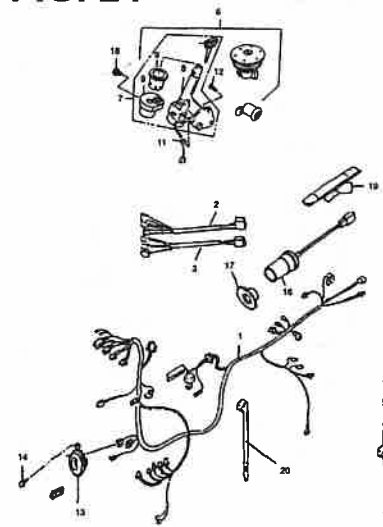


FIG. 25

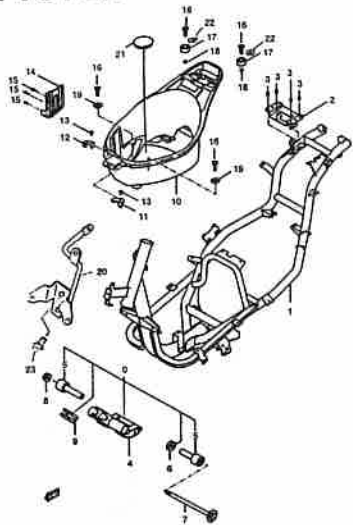


FIG. 26

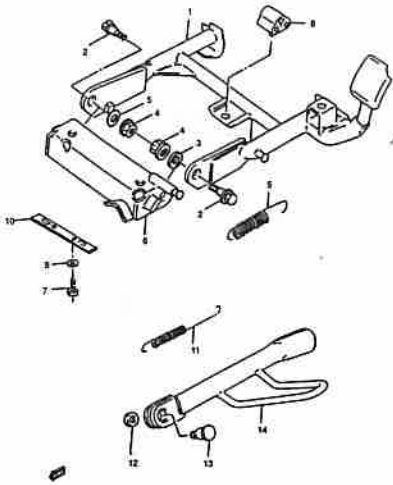


FIG. 27

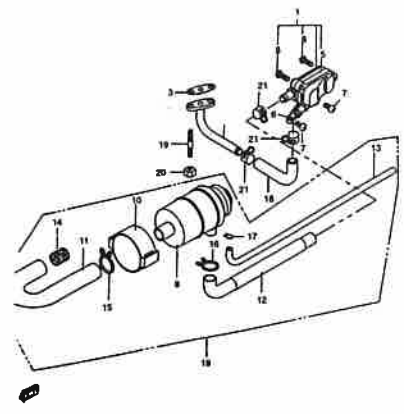


FIG. 28

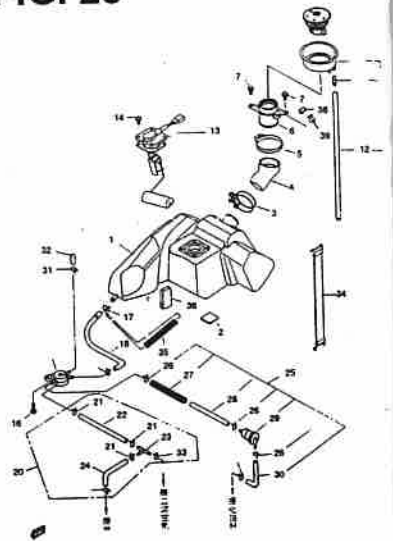


FIG. 29

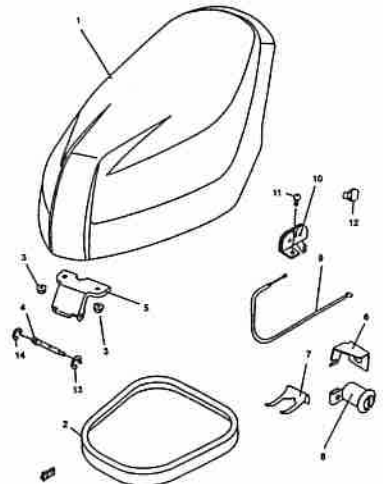


FIG. 30

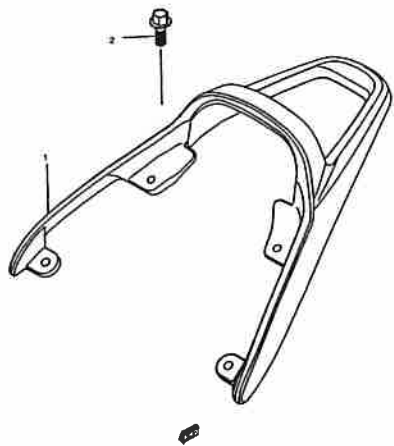


FIG. 31

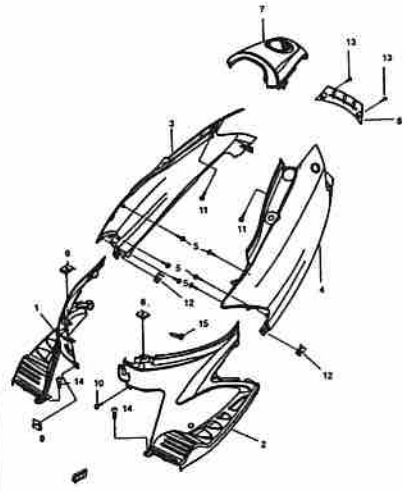


FIG. 32

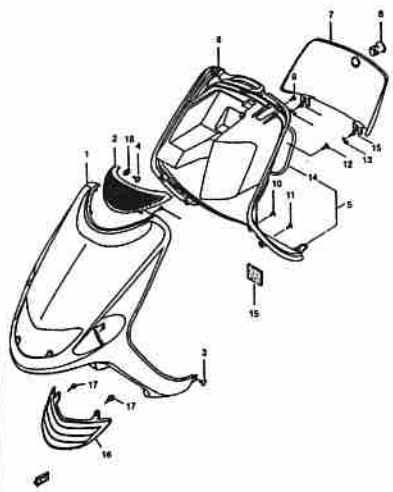


FIG. 33

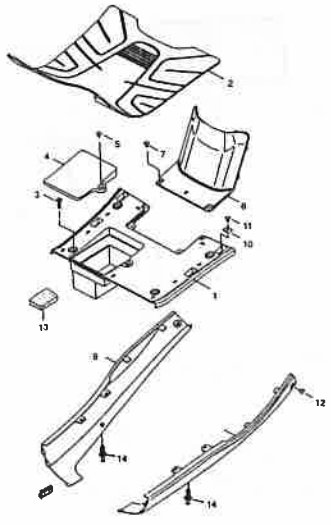


FIG. 34

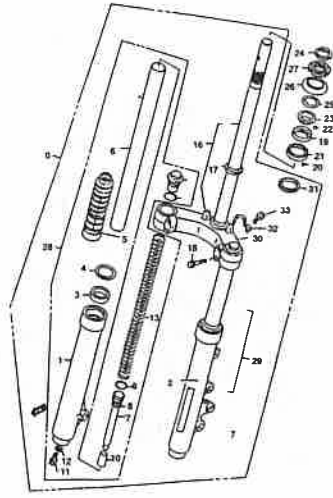


FIG. 35

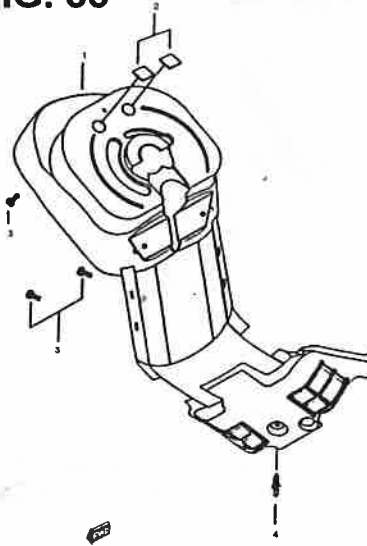


FIG. 36

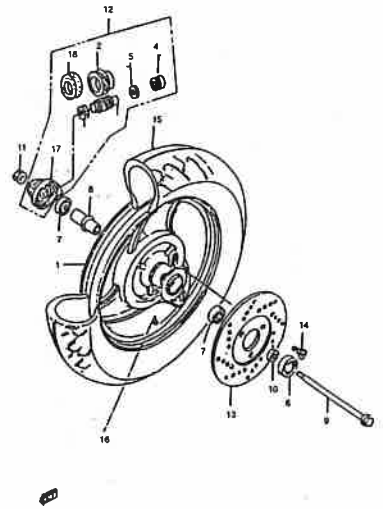


FIG. 37

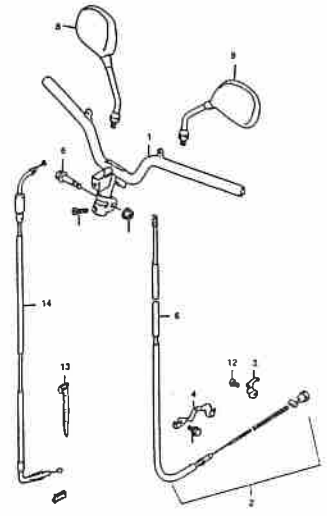


FIG. 38

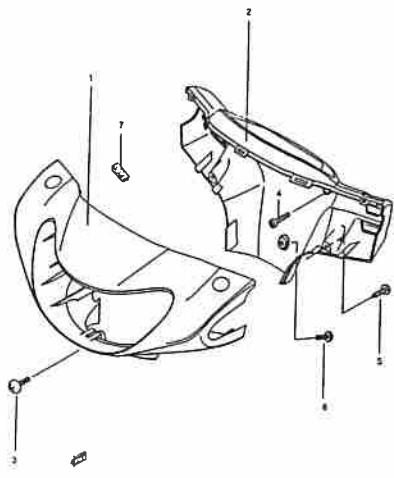


FIG. 39

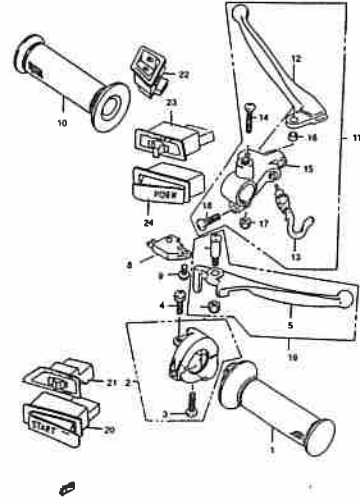
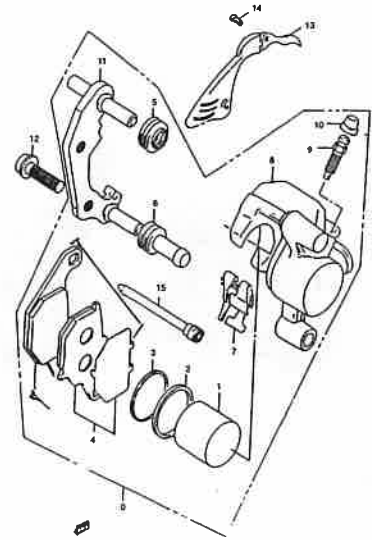


FIG. 40



1

FIG. 41

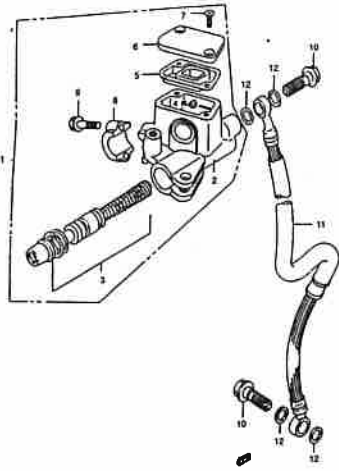


FIG. 42

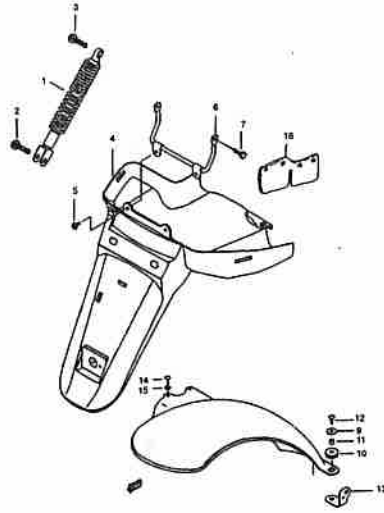


FIG. 43

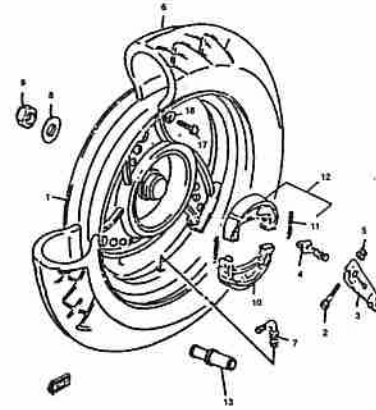


FIG. 44

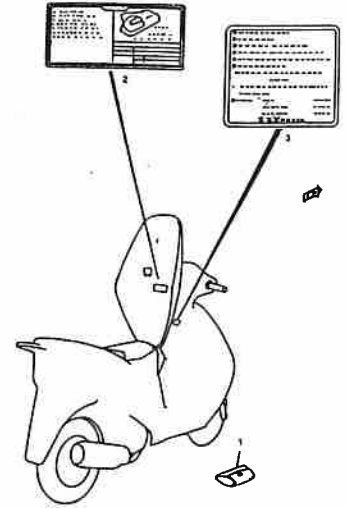


FIG. 45



FIG. 1

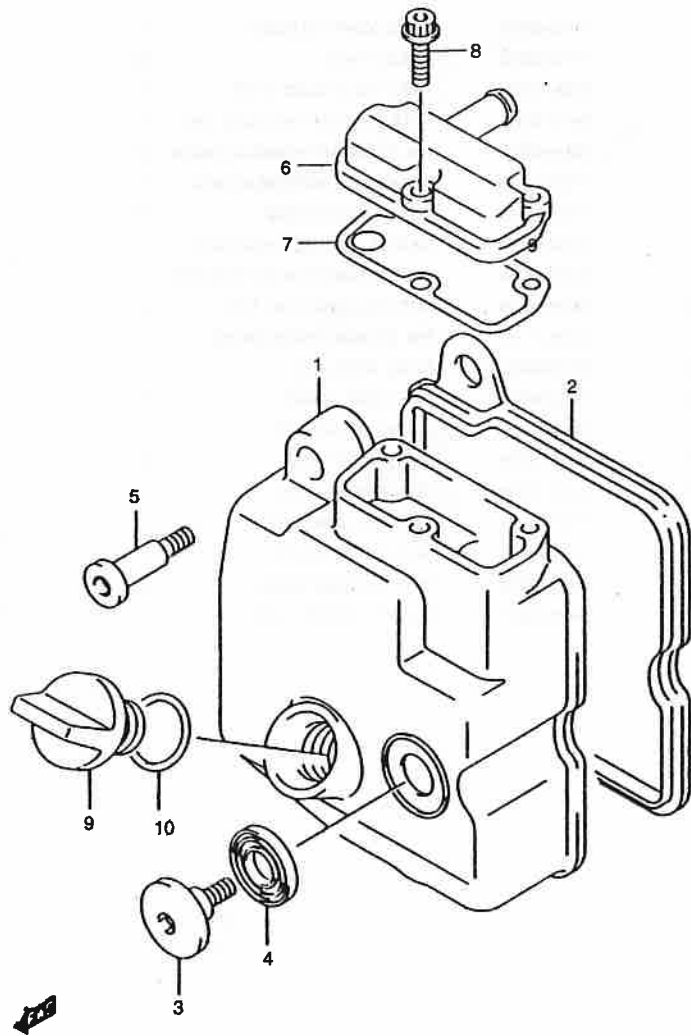


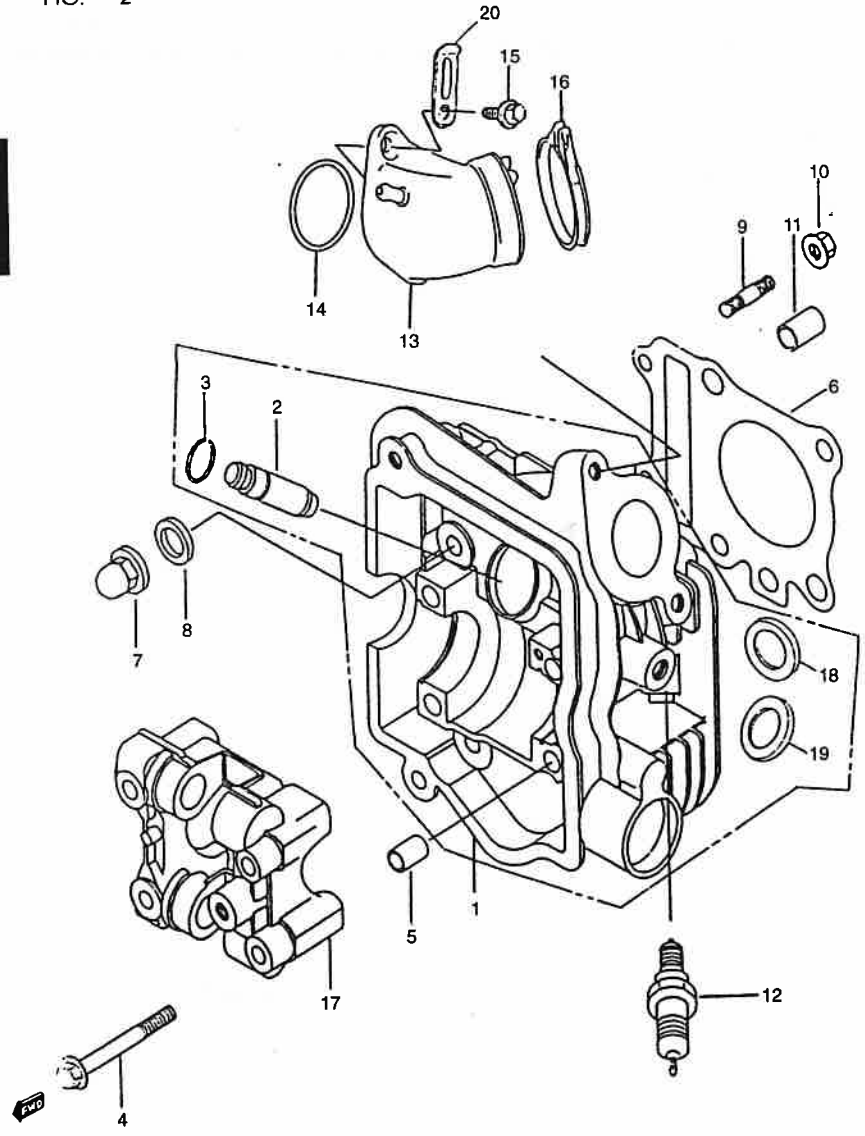
FIG. 1 CYLINDER HEAD COVER

| REF. NO. | PART NO. | DESCRIPTIONS | QTY | REMARKS |
|----------|-------------|-----------------------------|-----|---------|
| 1 | 11171T98EA0 | COVER, CYLINDER HEAD | 1 | |
| 2 | 11173-20E00 | GASKET, CYLINDER HEAD COVER | 1 | |
| 3 | 09106-07015 | BOLT, HEAD COVER L6.5 | 1 | |
| 4 | 09161-11008 | WASHER, HEAD COVER | 1 | |
| 5 | 09106-07017 | BOLT, HEAD COVER L19 | 2 | |
| 6 | 11176-34F00 | COVER, BREATHER | 1 | |
| 7 | 11177-34F00 | GASKET, BREATHER COVER | 1 | |
| 8 | 07120-05205 | BOLT, BREATHER COVER | 2 | |
| 9 | 11191-46F00 | PLUG OIL FILTER | 1 | |
| 10 | 09280-17003 | ORING | 1 | |

2

2

FIG. 2



VR125

FIG. 2 CYLINDER HEAD

| REF. NO. | PART NO. | DESCRIPTIONS | QTY | REMARKS |
|----------|-------------|-------------------------------|-----|---------|
| 1 | 11110-46F00 | HEAD COMP, CYLINDER | 1 | |
| 2 | 11115-20E00 | GUIDE, VALVE | 2 | |
| 3 | 09381-10004 | RING, VALVE GUIDE SANP | 2 | |
| 4 | 09103-06102 | BOLT CAMSHAFT HOUSING, L55 | 4 | |
| 5 | 09206-08001 | PIN, CAMSHART HOUSING KNOCK | 2 | |
| 6 | 11141-20E00 | GASKET, CYLINDER HEAD (NA) | 1 | |
| 7 | 11151-46F00 | NUT, CYLINDER HEAD | 4 | |
| 8 | 09168-08021 | GASKET, CYLINDER HEAD NUT | 4 | |
| 9 | 01421-06255 | BOLT, CYLINDER HEAD STUD SIDE | 2 | |
| 10 | 08316-10065 | NUT, CYLINDER HEAD SIDE | 2 | |
| 11 | 04211-11169 | PIN, CYLINDER HEAD KNOCK | 2 | |
| 12 | 09482M00455 | PLUG, SPARK C7E | 1 | |
| 13 | 13110T98E03 | PIPE COMP, INTAKE | 1 | |
| 14 | 09280-32006 | O-RING, INTAKE PIPE | 1 | |
| 15 | 01550-06205 | BOLT, INTAKE PIPE | 2 | |
| 16 | 09402-46208 | CLAMP, INTAKE PIPE | 1 | |
| 17 | 11121-46F00 | HOUSING, CAM SHAFT | 1 | |
| 18 | 11113-18E00 | SEAT, INTAKE VALVE | 1 | |
| 19 | 11114-18E00 | SEAT, EXHAUST VALVE | 1 | |
| 20 | 09404-06431 | CLAMP, VACUUM HOSE | 1 | |

FIG. 3

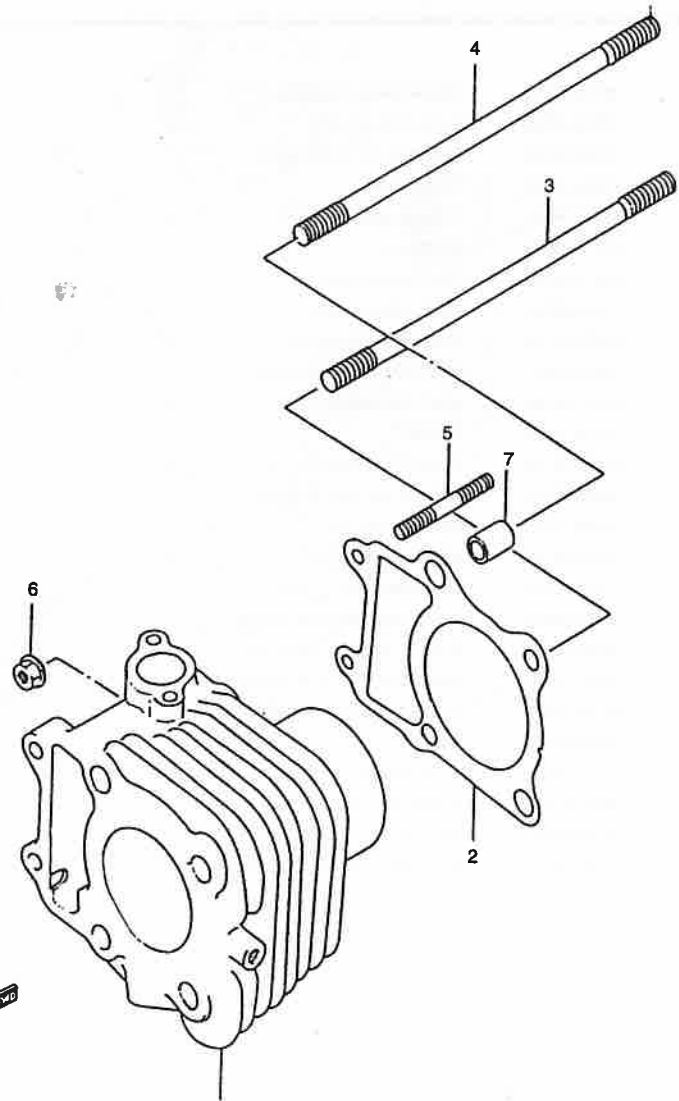


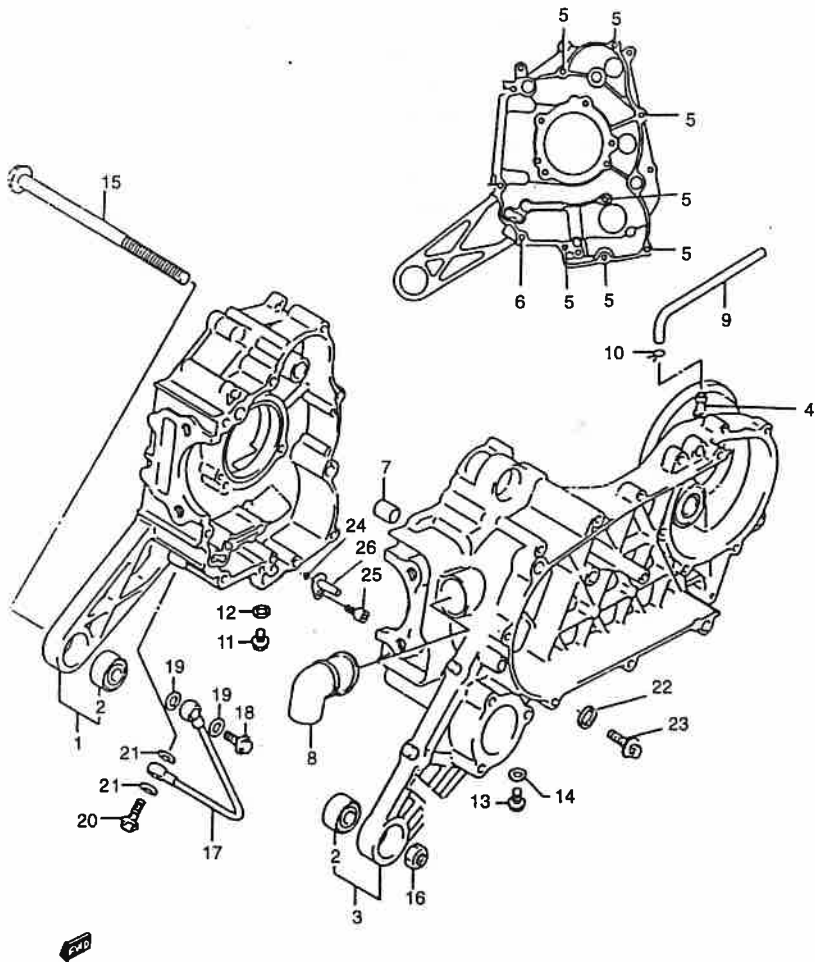
FIG. 3 CYLINDER

| REF. NO. | PART NO. | DESCRIPTIONS | QTY | REMARKS |
|----------|-----------------|---------------------------------|-----|---------|
| 1 | 11210-48F00-0F0 | CYLINDER COMP | 1 | |
| 2 | 11241-20E01 | GASKET, CYLINDER (NA) | 1 | |
| 3 | 09108-08163 | BOLT, CYLINDER STUD, L135 | 3 | |
| 4 | 09108-08222 | BOLT, CYLINDER STUD, L142, R-UP | 1 | |
| 5 | 01421-08255 | BOLT, CYLINDER STUD, L25 | 2 | |
| 6 | 08316-10065 | NUT, CYLINDER | 2 | |
| 7 | 04211-11169 | PIN, CYLINDER KNOCK | 2 | |

2

FIG. 4

2



VR125

FIG. 4 CRANK CASE

| REF. NO. | PART NO. | DESCRIPTIONS | Q'TY | REMARKS |
|----------|-------------|----------------------------|------|---------|
| 1 | 11310-46F00 | CRANK CASE COMP RH | 1 | |
| 2 | 11315-46F00 | BUSH, ENGINE MTG | 2 | |
| 3 | 11320-46F00 | CRANK CASE COMP LH | 1 | |
| 4 | 09364-08005 | UNION, HOSE | 1 | |
| 5 | 02112-06505 | SCREW, START MOTOR | 7 | |
| 6 | 02112-06855 | SCREW | 1 | |
| 7 | 04211-13189 | PIN, CRANK CASE | 2 | |
| 8 | 11325-46F00 | TUBE, CRANK CASE | 1 | |
| 9 | 09343-07150 | HOSE, T/M BREATHER | 1 | |
| 10 | 09401-11403 | CLIP, T/M BREATHER HOSE | 1 | |
| 11 | 01551-10165 | BOLT, OIL DRAIN | 1 | |
| 12 | 09168T10002 | GASKET | 1 | |
| 13 | 01550-08125 | PLUG, OIL CHECK | 1 | |
| 14 | 09168-08015 | GASKET, OIL CHECK PLUG | 1 | |
| 15 | 09103-12046 | BOLT, ENGINE MTG | 1 | |
| 16 | 08310-00126 | NUT, ENGINE MTG | 1 | |
| 17 | 11280-46F00 | PIPE COMP, OIL | 1 | |
| 18 | 09360-08011 | UNION BOLT, OIL PIPE UPPER | 1 | |
| 19 | 09168-08008 | GASKET, OIL PIPE UNION UP | 2 | |
| 20 | 09360-10032 | UNION BOLT, OIL PIPE LOWER | 1 | |
| 21 | 09168-10007 | GASKET, OIL PIPE UNION LOW | 2 | |
| 22 | 11324-46F00 | GASKET | 1 | |
| 23 | 09247-14023 | PLUG, DRAIN | 1 | |
| 24 | 09280-04004 | O-RING, PISTON COLLING JET | 1 | |
| 25 | 09106-06075 | BOLT, PISTON COLLING JET | 1 | |
| 26 | 11390-46F00 | JET COMP, PISTON COLLING | 1 | |

REMARKS

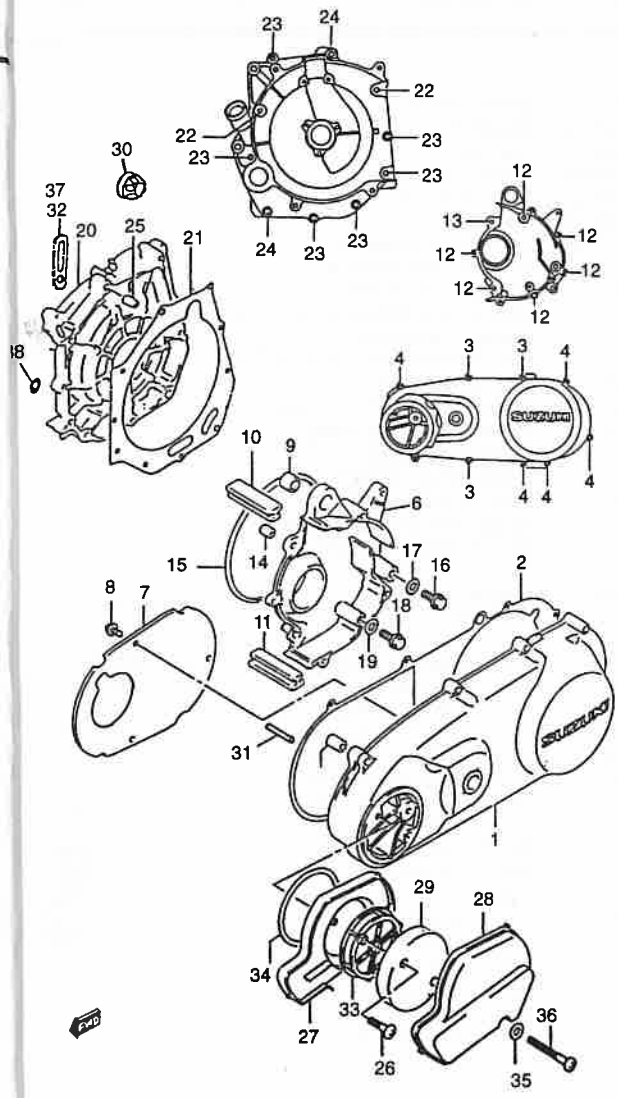
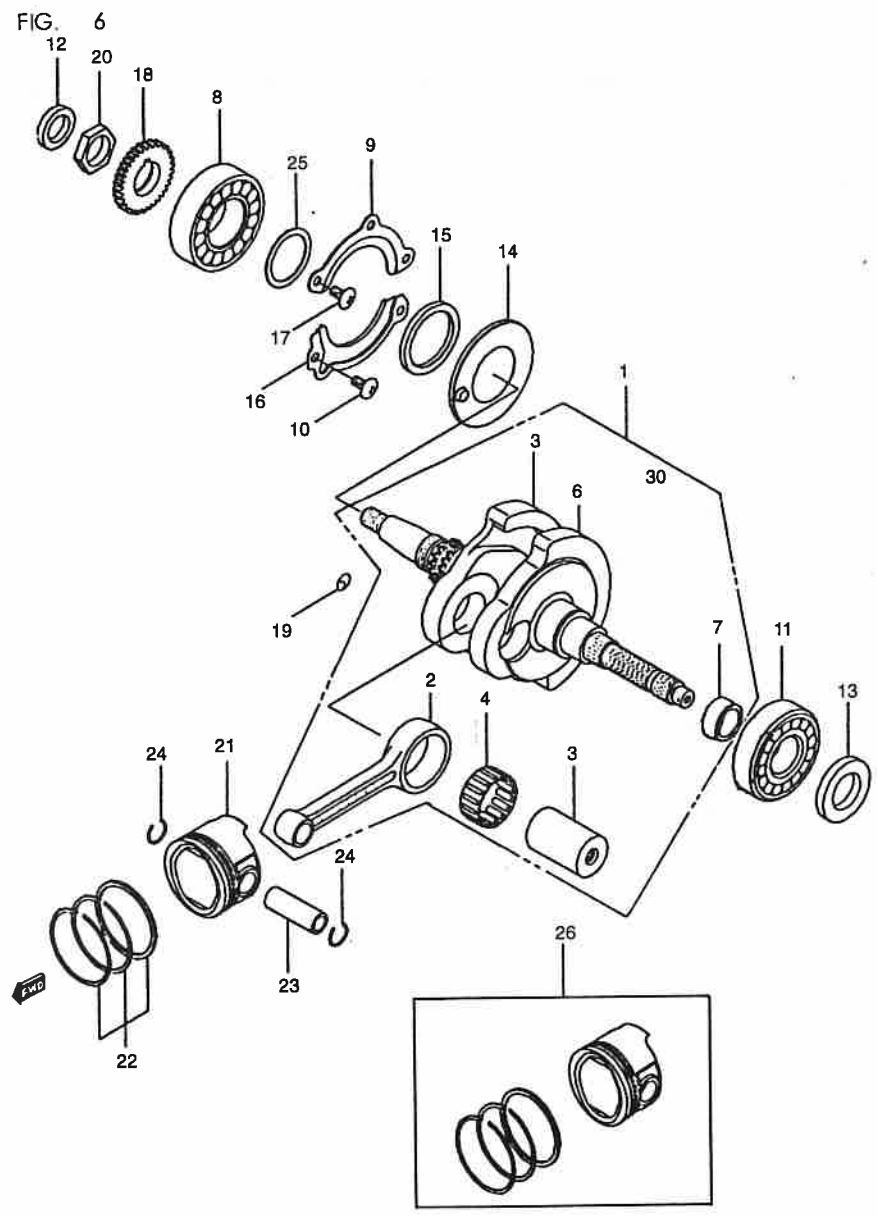


FIG. 5 CLUTCH COVER/CRANK CASE

| REF. NO. | PART NO. | DESCRIPTIONS | QTY | REMARKS |
|----------|-------------|---------------------------------|-----|---------|
| 1 | 11340-34F10 | COVER COMP, CLUTCH | 1 | |
| 2 | 11482-46F00 | GASKET, CLUTCH COVER (NA) | 1 | |
| 3 | 02112-06255 | SCREW, CLUTCH COVER | 3 | |
| 4 | 02112-06405 | SCREW, CLUTCH COVER | 5 | |
| 5 | 04211-11169 | PIN, CLUTCH COVER | 2 | |
| 6 | 11431-46F00 | COVER, GEAR BOX | 1 | |
| 7 | 11346-34F00 | PLATE, CLUTCH COVER AIR INTAKE | 1 | |
| 8 | 02112-75085 | SCREW, CL COVER AIR INTK PLATE | 3 | |
| 9 | 11316-46F00 | BUSH, REAR SHOCK ABSORBOR | 1 | |
| 10 | 11485-20E00 | CUSHION, GEAR BOX COVER UPPER | 1 | |
| 11 | 11486-20E00 | CUSHION, GEAR BOX COVER LOWER | 1 | |
| 12 | 07120-06255 | BOLT, GEAR BOX COVER | 6 | |
| 13 | 02112-06405 | SCREW, GEAR BOX COVER | 1 | |
| 14 | 04211-11169 | PIN, GEAR BOX COVER | 2 | |
| 15 | 09280-00024 | O-RING | 1 | |
| 16 | 01550-08125 | PLUG, OIL LEVEL | 1 | |
| 17 | 09168-08008 | GASKET, T/M OIL LEVEL (NA) | 1 | |
| 18 | 01550-06125 | PLUG, OIL DRAIN | 1 | |
| 19 | 09168-06004 | GASKET, T/M OIL DRAIN (NA) | 1 | |
| 20 | 11353-20E00 | COVER, CRANKSHAFT, R | 1 | |
| 21 | 11483-20E00 | GASKET, CRANKSHAFT COVER, R(NA) | 1 | |
| 22 | 09125-06005 | SCREW, CRANKSHAFT COVER, R | 3 | |
| 23 | 02112-06355 | SCREW, CRANKSHAFT COVER, R | 5 | |
| 24 | 02112-06455 | SCREW, CRANKSHAFT COVER, R | 2 | |
| 25 | 04211-11169 | PIN, CRANKSHAFT COVER, R | 2 | |
| 26 | 02142-06355 | SCREW, BELT COOLING FILTER | 2 | |
| 27 | 11381-34F00 | DUCT, BELT COOLING INNER | 1 | |
| 28 | 11382-34F00 | DUCT, BELT COOLING OUTER | 1 | |
| 29 | 11388-15F00 | FILTER ASSY | 1 | |
| 30 | 11971-33210 | LENS, OIL LEVEL CHECK | 1 | |
| 31 | 11339-46F00 | SHAFT, KICK DRIVEN GEAR | 1 | |
| 32 | 09404-06431 | CLAMP, MAGNETO WIRE | 1 | |
| 33 | 11389-15F00 | HOLDER, BELT COOLING FILTER | 1 | |
| 34 | 11485-34F00 | CUSHION, BELT COOLING DUCT | 1 | |
| 35 | 08322-01063 | WASHER, BELT COOLING DUCT | 1 | |
| 36 | 02112-06805 | SCREW, BELT COOLING DUCT | 1 | |
| 37 | 09404-06431 | CLAMP, BREATHER HOSE | 1 | |
| 38 | 09168-06023 | GASKET, CRANKSHAFT COVER R | 1 | |

2

2

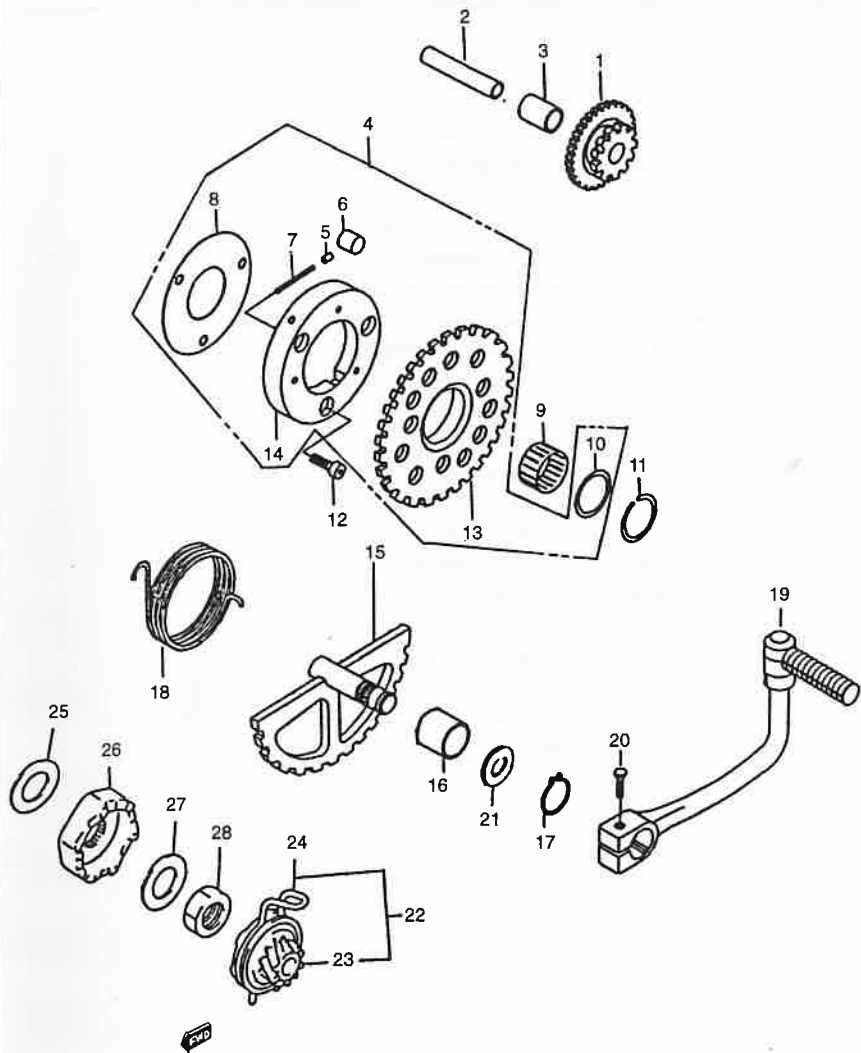


VR125

FIG. 6 CRANK SHAFT & PISTON

| REF. NO. | PART NO. | DESCRIPTIONS | QTY | REMARKS |
|----------|-----------------|--------------------------------|-----|---------|
| 1 | 12200-46F00 | CRANK SHAFT ASSY | 1 | |
| 2 | 12161-46F00-0B0 | CONNROD | 1 | |
| 3 | 12211-46F00 | PIN, CRANK | 1 | |
| 4 | 09263-28027-0B0 | BEARING, CRANK PIN | 1 | |
| 5 | 12221-46F00 | CRANK SHAFT, R | 1 | |
| 6 | 12261-46F00 | CRANK SHAFT, L | 1 | |
| 7 | 12262-46F00 | SPACER, CRANKSHAFT, L | 1 | |
| 8 | 09262-32006 | BEARING, CRANKSHAFT, R | 1 | |
| 9 | 12541-46F00 | RETAINER, CSHAFT BRG, R | 1 | |
| 10 | 02142-06125 | SCREW, OIL RESERVER PLATE | 2 | |
| 11 | 09262-25047 | BEARING, CRANKSHAFT, L | 1 | |
| 12 | 09283-20055 | SEAL, CRANKSHAFT R, OIL, NO. 2 | 1 | |
| 13 | 09283T25095 | SEAL, CRANKSHAFT, L | 1 | |
| 14 | 12510-20E10 | PLATE COMP, CSHAFT OIL GUIDE | 1 | |
| 15 | 12359-20E00 | RETAINER, OIL GUIDE PLATE | 1 | |
| 16 | 12521-46F00 | PLATE, OIL RESERVER | 1 | |
| 17 | 02142-06125 | SCREW, CSHAFT BRG RTNR | 2 | |
| 18 | 16321-20E00 | GEAR, OIL PUMP DRIVE | 1 | |
| 19 | 04221-04069 | PIN, OIL PUMP DRIVE GEAR | 1 | |
| 20 | 09140-22008 | NUT, OIL PUMP DRIVE GEAR | 1 | |
| 21 | 12111-20E00-0F0 | PISTON | 1 | |
| 22 | 12140-46F00 | RING SET, PISTON | 1 | |
| 23 | 12151-46F00 | PIN PISTON | 1 | |
| 24 | 09381-14001 | CIRCLIP, PISTON PIN | 2 | |
| 25 | 09181-32016 | SHIM, CRANKSHAFT, R t=0.60 | 1 | |
| 25 | 09181-32017 | SHIM, CRANKSHAFT, R t=0.65 | 1 | |
| 25 | 09181-32018 | SHIM, CRANKSHAFT, R t=0.70 | 1 | |
| 25 | 09181-32019 | SHIM, CRANKSHAFT, R t=0.75 | 1 | |
| 25 | 09181-32020 | SHIM, CRANKSHAFT, R t=0.80 | 1 | |
| 25 | 09181-32021 | SHIM, CRANKSHAFT, R t=0.85 | 1 | |
| 25 | 09181-32022 | SHIM, CRANKSHAFT, R t=0.90 | 1 | |
| 25 | 09181-32023 | SHIM, CRANKSHAFT, R t=0.95 | 1 | |
| 25 | 09181-32024 | SHIM, CRANKSHAFT, R t=1.00 | 1 | |
| 25 | 09181-32025 | SHIM, CRANKSHAFT, R t=1.05 | 1 | |
| 25 | 09181-32026 | SHIM, CRANKSHAFT, R t=1.10 | 1 | |
| 25 | 09181-32027 | SHIM, CRANKSHAFT, R t=1.15 | 1 | |
| 25 | 09181-32028 | SHIM, CRANKSHAFT, R t=1.20 | 1 | |
| 25 | 09181-32029 | SHIM, CRANKSHAFT, R t=1.25 | 1 | |
| 25 | 09181-32030 | SHIM, CRANKSHAFT, R t=1.30 | 1 | |
| 25 | 09181-32031 | SHIM, CRANKSHAFT, R t=1.35 | 1 | |
| 25 | 09181-32032 | SHIM, CRANKSHAFT, R t=1.40 | 1 | |
| 25 | 09181-32033 | SHIM, CRANKSHAFT, R t=1.45 | 1 | |
| 26 | 12100-20E00 | PISTON SET | 1 | |

FIG. 7



VR125

FIG. 7 KICK STARTER/STARTER CLUTCH

| REF. NO. | PART NO. | DESCRIPTIONS | QTY | REMARKS |
|----------|-------------|---------------------------------|-----|---------|
| 1 | 12611-04B00 | GEAR, STARTER IDLE | 1 | |
| 2 | 09206-13016 | PIN, STARTER IDLE GEAR | 1 | |
| 3 | 09180-13009 | SPACER, STARTER IDLE GEAR | 1 | |
| 4 | 12600-20E00 | CLUTCH SET, STARTER | 1 | |
| 5 | 12633-05300 | PIECE, START CLUTCH ROLLER PUSH | 3 | |
| 6 | 09261-10003 | ROLLER, STARTER CLUTCH | 3 | |
| 7 | 09440-03004 | SPRING, STARTER CLUTCH | 3 | |
| 8 | 12649-46F00 | SHIM, STARTER CLUTCH HUB | 1 | |
| 9 | 09263-32008 | BEARING | 1 | |
| 10 | 08221-32385 | SHIM, STARTER | 1 | |
| 11 | 09380-32002 | CIRCLIP | 1 | |
| 12 | 07130-06165 | BOLT | 3 | |
| 13 | 12620-46F00 | GEAR COMP, STARTER CLUTCH | 1 | |
| 14 | 12630-46F00 | HUB COMP, STARTER CLUTCH | 1 | |
| 15 | 26210-46F01 | SHAFT COMP, KICK STARTER | 1 | |
| 16 | 26213-46F00 | BUSH, KICK STARTER SHAFT, L | 1 | |
| 17 | 08331-31149 | CIRCLIP | 1 | |
| 18 | 26212-46F01 | SPRING, KICK STARTER SHAFT | 1 | |
| 19 | 26300M04C03 | LEVER ASSY, KICK STARTER | 1 | |
| 20 | 01107-08256 | BOLT, KICK STARTER LEVER | 1 | |
| 21 | 09160-14050 | WASHER, KICK START SHAFT | 1 | |
| 22 | 26200-46F00 | GEAR ASSY, KICK STARTER DRIVEN | 1 | |
| 23 | 26280-46F00 | GEAR COMP, KICK STARTER DRIVEN | 1 | |
| 24 | 26284-46F00 | RETAINER, KICK START DRIVEN GR | 1 | |
| 25 | 09160-14001 | WASHER, KICK STARTER, R | 1 | |
| 26 | 26231-43E00 | STARTER, KICK, R | 1 | |
| 27 | 09164-12020 | WASHER, KICK STARTER NUT LOCK | 1 | |
| 28 | 21141-46F00 | NUT | 1 | |

2

FIG. 8

2

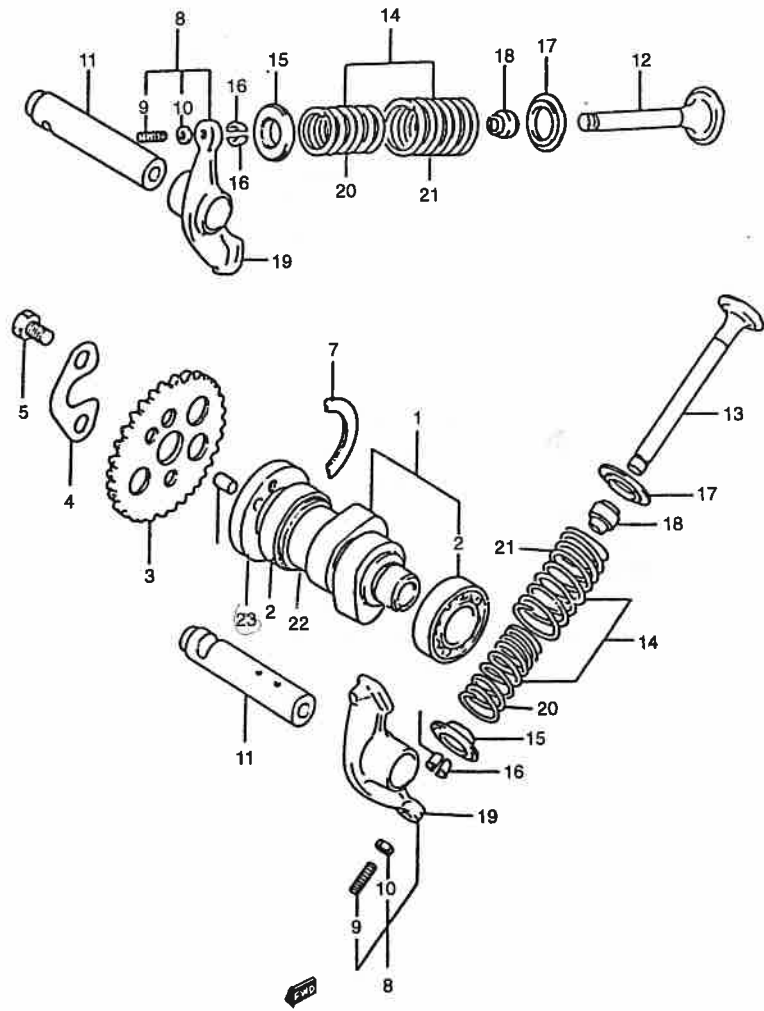


FIG. 8 CAM SHAFT/VALVE

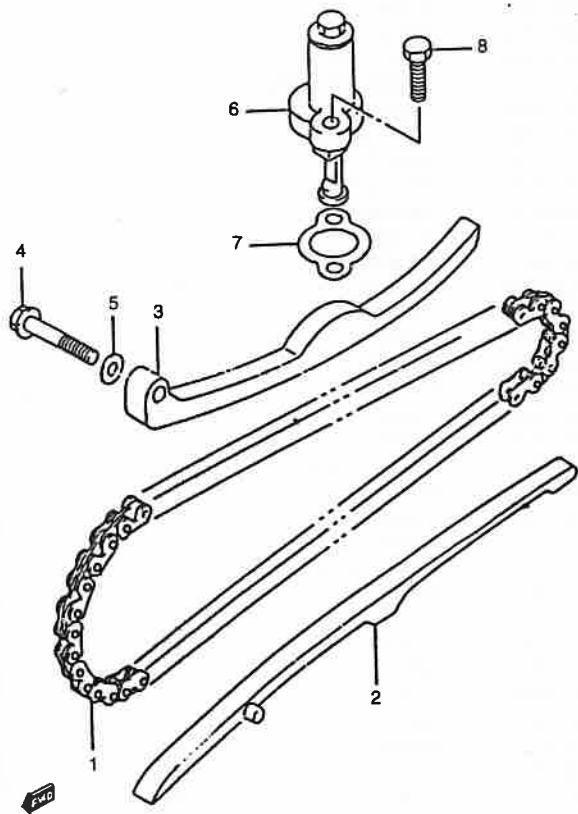
| REF. NO. | PART NO. | DESCRIPTIONS | Q'TY | REMARKS |
|----------|-------------|-------------------------|------|---------|
| 1 | 12710T98E02 | CAM SHAFT COMP | 1 | |
| 2 | 09262-15029 | BEARING, CAMSHAFT | 2 | |
| 3 | 12741-20E00 | SPROCKET, CAMSHAFT | 1 | |
| 4 | 12747-30A01 | WASHER, SPROCKET | 1 | |
| 5 | 09111-06032 | BOLT, SPROCKET | 2 | |
| 6 | 09261-05005 | PIN, SPROCKET KNOCK | 1 | |
| 7 | 09390-32001 | C-RING, CAMSHAFT | 1 | |
| 8 | 12840-46F00 | ARM COMP, VALVE ROCKER | 2 | |
| 9 | 12842-46F00 | SCREW, TAPPET ADJUSTING | 2 | |
| 10 | 12843-46F00 | NUT, TAPPET ADJUSTING | 2 | |
| 11 | 12861-20E00 | SHAFT, VALVE ROCKED ARM | 1 | |
| 12 | 12911-46F01 | VALVE, INTAKE | 1 | |
| 13 | 12912-46F00 | VALVE, EXHAUST | 1 | |
| 14 | 12920-46F00 | SPRING SET, VALVE | 2 | |
| 15 | 12931-09400 | RETAINER, VALVE SPRING | 2 | |
| 16 | 12932-27A00 | COTTER, VALVE | 4 | |
| 17 | 12933-39E00 | SEAT, VALVE SPRING | 2 | |
| 18 | 12937-46F00 | SEAL, VALVE STEM OIL | 2 | |
| 19 | 12841-46F00 | ARM, VALVE ROCKER | 2 | |
| 20 | 12921-46F00 | SPRING, VALVE INNER | 2 | |
| 21 | 12922-46F00 | SPRING, VALVE OUTER | 2 | |
| 22 | 12711T98E01 | SHAFT, CAM | 1 | |
| 23 | 12712-46F00 | FLANGE, CAM SHAFT | 1 | |

DISCONTINUE
 HAVE TO BUY
 CAM SHAFT COMP (set)

FIG. 9

FIG. 9 CAM CHAIN

| REF. NO. | PART NO. | DESCRIPTIONS | QTY | REMARKS |
|----------|-------------|---------------------------------|-----|---------|
| 1 | 12760-46F00 | CHAIN COMP, CAM SHAFT DRIVE | 1 | |
| 2 | 12771-48F00 | GUIDE, CAM CHAIN | 1 | |
| 3 | 12811-48F00 | TENSIONER, CAM CHAIN | 1 | |
| 4 | 09103-06247 | BOLT, CAM CHAIN TENSIONER | 1 | |
| 5 | 09168-06004 | WASHER, CAM CHAIN TENSIONER BOL | 1 | |
| 6 | 12830-20E00 | ADJUSTER ASSY, TENSIONER | 1 | |
| 7 | 12837-14D00 | GASKET, TENSIONER ADJUSTER (NA) | 1 | |
| 8 | 01500-06205 | BOLT, TENSIONER ADJUSTER | 2 | |

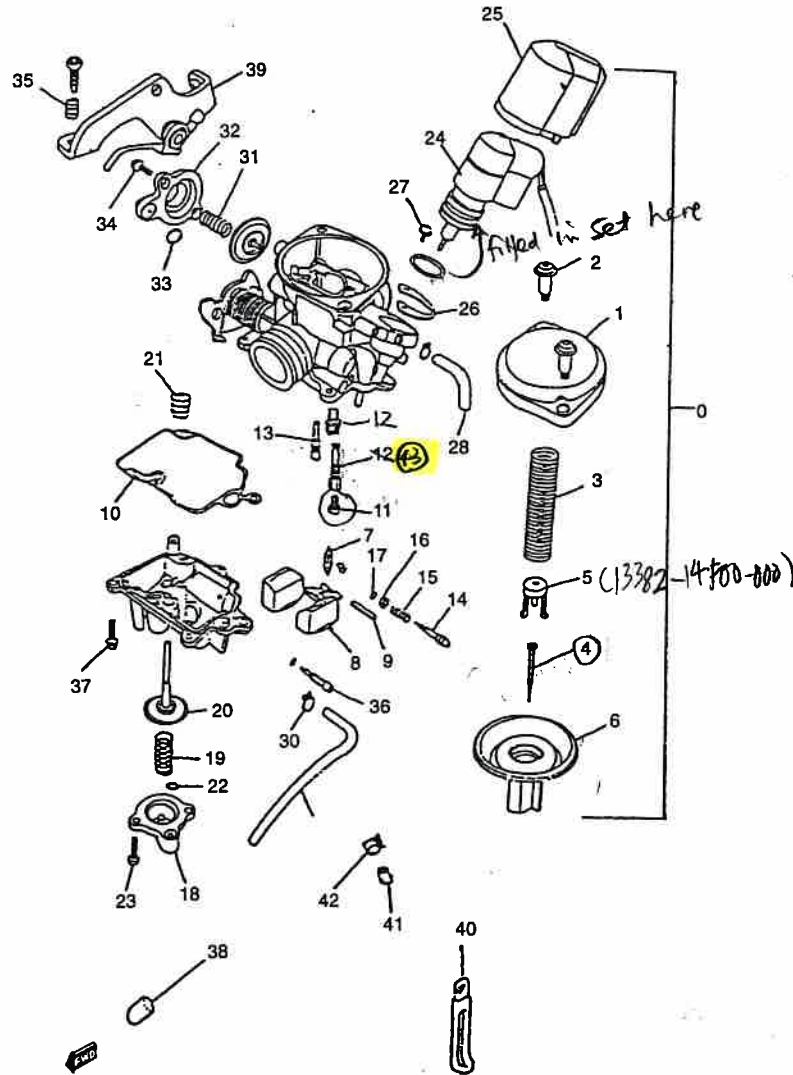


2

REMARKS

FIG. 10

2



VR125

FIG. 10 CARBURETOR

Brand: Mikuni ← → Keihin

| REF. NO. | PART NO. | DESCRIPTIONS | Q'TY | REMARKS |
|----------|-------------|-----------------------------|------|------------------------------|
| | | | | < NEW > |
| 0 | 13200-20EK1 | CARBURETOR ASSY | 1 | Δ 13200T34F60 |
| 1 | 13502-20EKO | COVER, DIAPHRAGM | 1 | |
| 2 | 13601-11F00 | SCREW | 2 | |
| 3 | 13503-20EKO | SPRING | 1 | |
| 4 | 13383-20EKO | NEEDLE, JET N425-DECP | 1 | Δ 13383-34F60 (N425-BA00) |
| 5 | 13342-20EKO | HOLDER, JET NEEDLE | 1 | Δ 13382-14F00 (SEAT, needle) |
| 6 | 13500-20EKO | DIAPHRAGM ASSY | 1 | |
| 7 | 13370-43E00 | VALVE, NEEDLE | 1 | |
| 8 | 13250-14F00 | FLOAT | 1 | |
| 9 | 13254-26E00 | PIN, FLOAT | 1 | |
| 10 | 13258-14F00 | PACKING | 1 | |
| 11 | 09491-21031 | JET, MAIN #115 | 1 | Δ #105 - same P/W |
| 12 | 13341-20EKO | JET, NEEDLE | 1 | Δ 13341-34F50 (N426-3430) |
| 13 | 09492-38004 | JET, SLOW #38 | 1 | |
| 14 | 13729-20EKO | SCREW, ADJUST | 1 | |
| 15 | 13271-14F00 | SPRING | 1 | |
| 16 | 13291-26E00 | WASHER | 1 | |
| 17 | 13295-26E00 | O-RING | 1 | |
| 18 | 13448-14F00 | COVER | 1 | |
| 19 | 13494-14F00 | SPRING | 1 | |
| 20 | 13491-20EKO | DIAPHRAGM ASSY | 1 | |
| 21 | 13499-14F00 | CAP | 1 | |
| 22 | 13497-14F00 | U-RING | 2 | |
| 23 | 02112-04107 | SCREW | 2 | |
| 24 | 13430-20EKO | ELEMENT ASSY, THERMO | 1 | |
| 25 | 13433-06F30 | COVER | 1 | |
| 26 | 13428-06F30 | PLATE | 1 | |
| 27 | 02112-14087 | SCREW | 1 | |
| 28 | 13683-14F00 | HOSE | 1 | |
| 29 | 13684-20EKO | HOSE | 1 | |
| 30 | 09401-05402 | CLIP | 1 | |
| 31 | 13841-14F00 | SPRING | 1 | |
| 32 | 13484-14F00 | COVER | 1 | |
| 33 | 13497-14F00 | U-RING | 1 | |
| 34 | 02112-04107 | SCREW | 2 | |
| 35 | 13271-26E10 | SPRING | 1 | |
| 36 | 13247-11F00 | SCREW, DRAIN | 1 | |
| 37 | 02112-04127 | SCREW | 3 | |
| 38 | 13131-20E00 | JET, BOOST HOSE | 1 | |
| 39 | 13656-20EKO | PLATE | 1 | |
| 40 | 09404-06431 | CLAMP, CARB OVFL HOSE | 1 | |
| 41 | 09251T04001 | PLUG, CARB | 1 | |
| 42 | 09401T07301 | CLIP, BRTHR VALVE&CSTR HOSE | 1 | |
| 10 | 43 | 13342-20EKO | 1 | holder jet needle |

FIG. 11

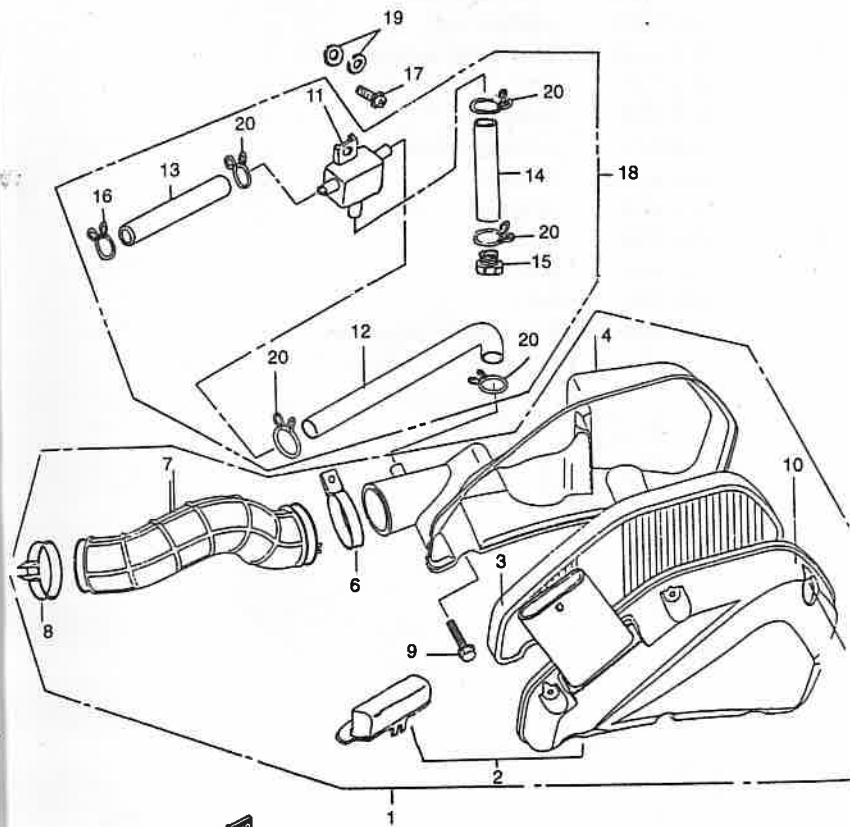


FIG. 11 AIR CLEANER

| REF. NO. | PART NO. | DESCRIPTIONS | QTY | REMARKS |
|----------|---|--------------------------|-----|---------|
| 1 | 13700-34F51 / ^{NEW} 13700T98E40 | CLEANER ASSY, AIR | 1 | |
| 2 | 13740T98E02 / ^{OLD} 13740T98E02 | CAP COMP, AIR CLEANER | 1 | |
| 3 | 13780T98E02 / ^{OLD} 13780T98E02 | FILTER COMP, AIR CLEANER | 1 | |
| 4 | 13720T98E30 / ^{OLD} 13720T98E30 | CASE COMP, AIR CLEANER | 1 | |
| 5 | 03141-05255 | SCREW | 5 | |
| 6 | 09402-58208 | CLAMP, OUTLET TUBE NO. 2 | 1 | |
| 7 | 13880-34F50 | TUBE COMP, OUTLET | 1 | |
| 8 | 09402-48208 | CLAMP, OUTLET TUBE NO. 1 | 1 | |
| 9 | 02162-16305 | BOLT, AIR CLEANER | 2 | |
| 10 | 13741T98E02 / ^{OLD} 13741T98E02 | CAP, AIR CLEANER | 1 | |
| 11 | 13841T98E00 | TANK, BREATHER | 1 | |
| 12 | 13851T98E01 | TUBE, BREATHER NO. 1 | 1 | |
| 13 | 13852T98E00 | TUBE, BREATHER NO. 2 | 1 | |
| 14 | 13861T98E00 / ^{OLD} 13861T98E00 | TUBE, BREATHER NO. 3 | 1 | |
| 15 | 13862T98E00 | CAP, TUBE BREATHER NO. 3 | 1 | |
| 16 | 09401-15301 | CLIP | 1 | |
| 17 | 02112-16125 | SCREW, BREATHER TANK | 1 | |
| 18 | 13840T98E02 | BREATHER TANK ASSY | 1 | |
| 19 | 09168T06001 | GASKET, BREATHER TANK | 2 | |
| 20 | 09401T15407 | CLIP | 5 | |

2

FIG. 12

2

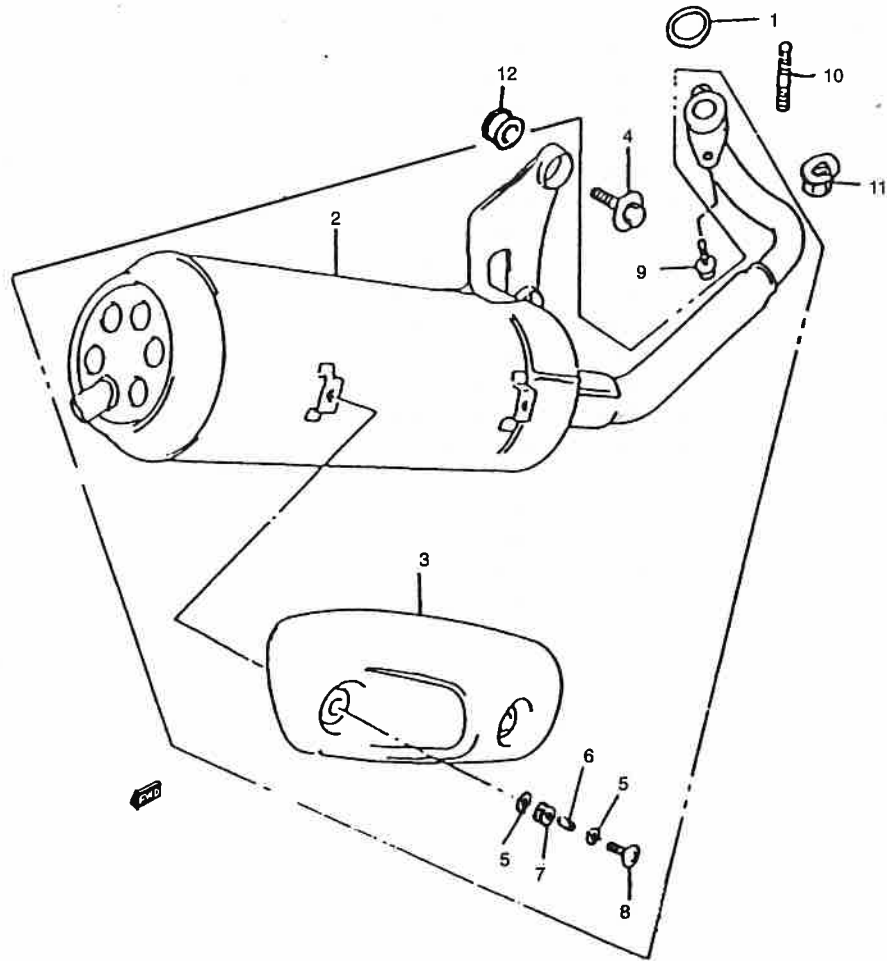


FIG. 12 MUFFLER

| REF. NO. | PART NO. | DESCRIPTIONS | Q'TY | REMARKS |
|----------|-------------|-------------------------|------|---------|
| 1 | 14181M46F00 | GASKET, EXH PIPE | 1 | |
| 2 | 14305T98EA0 | MUFFLER COMP | 1 | |
| 3 | 14780T11FA0 | COVER COMP, MUFFLER | 1 | |
| 4 | 09118-08147 | BOLT | 2 | |
| 5 | 09168-06052 | GASKET (NA) | 4 | |
| 6 | 09180-06073 | SPACER, COVER MUFFLER | 2 | |
| 7 | 09321-08066 | CUSHION | 2 | |
| 8 | 14789-46F00 | SCREW | 2 | |
| 9 | 01550-08205 | BOLT | 1 | |
| 10 | 01421-08209 | BOLT, STUD | 1 | |
| 11 | 08361-35085 | NUT | 1 | |
| 12 | 14762-46F00 | CUSHION MUFFLER SOPPORT | 2 | |

FIG. 13

REMARKS

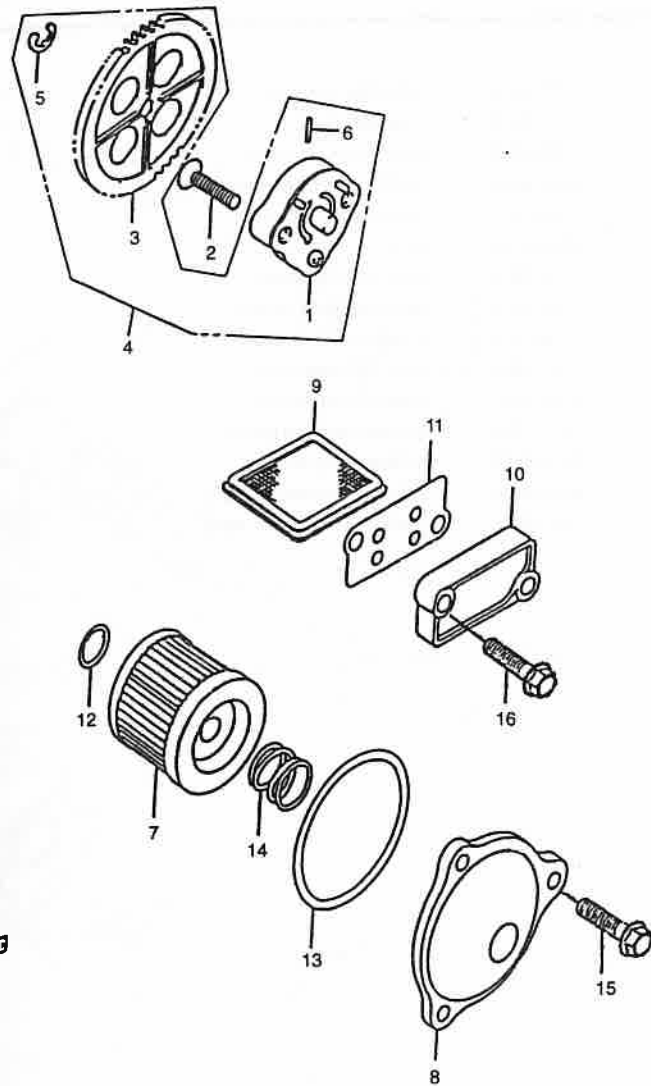


FIG. 13 OIL PUMP

| REF. NO. | PART NO. | DESCRIPTIONS | QTY | REMARKS |
|----------|-------------|---------------------------|-----|---------|
| 1 | 16410-46F00 | PUMP, OIL | 1 | |
| 2 | 02122-06255 | SCREW, OIL PUMP | 2 | |
| 3 | 16331-20E00 | GEAR, OIL PUMP DRIVEN | 1 | |
| 4 | 16400-46F00 | PUMP ASSY, OIL | 1 | |
| 5 | 16423-20E00 | CIRCLIP | 5 | |
| 6 | 16421-20E00 | PIN | 1 | |
| 7 | 16510-05240 | FILTER COMP, ENGINE OIL | 1 | |
| 8 | 16512-18900 | CAP, OIL FILTER | 1 | |
| 9 | 16520-09402 | STRAINER COMP, ENGINE OIL | 1 | |
| 10 | 16523T20E00 | CAP, OIL STRAINER | 1 | |
| 11 | 16524-46F00 | GASKET, OIL STRAINER CAP | 1 | |
| 12 | 09280-13004 | O-RING, OIL FILTER | 1 | |
| 13 | 09280-54001 | O-RING, OIL FILTER CAP | 1 | |
| 14 | 09440-18002 | SPRING, OIL FILTER CAP | 1 | |
| 15 | 01550-06165 | BOLT, OIL FILTER CAP | 3 | |
| 16 | 01550-06255 | BOLT, OIL STRAINER CAP | 2 | |

2

FIG. 14

2

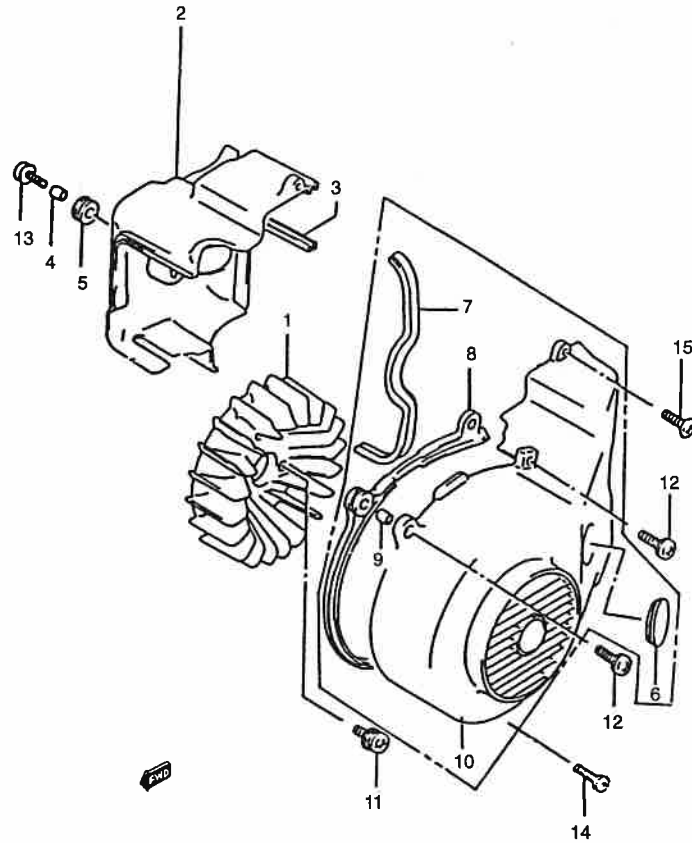
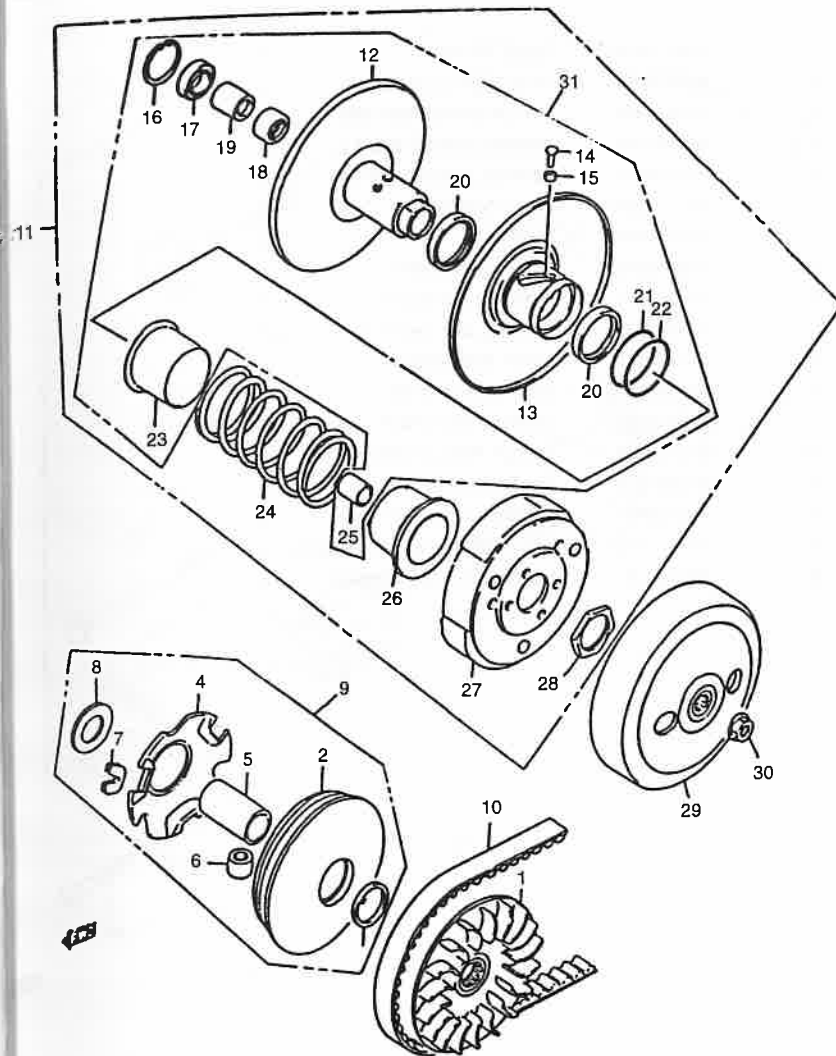


FIG. 14 COOLING FAN

| REF. NO. | PART NO. | DESCRIPTIONS | QTY | REMARKS |
|----------|-------------|--------------------------|-----|---------|
| 1 | 17110-46F00 | FAN COMP, COOLING | 1 | |
| 2 | 17121-46F00 | COWLING, CYL | 1 | |
| 3 | 17122-20E00 | MOLD, CYL COWLING | 1 | |
| 4 | 09180-06011 | SPACER, CYL COWLING L9 | 1 | |
| 5 | 09320-09016 | CUSHION, CYL COWLING | 1 | |
| 6 | 09250-30003 | PLUG | 1 | |
| 7 | 17132-20E00 | MOLD, FAN COWLING | 1 | |
| 8 | 17133-20E00 | DAMPER, FAN COWLING | 1 | |
| 9 | 17134-20E00 | SPACER, FAN COWLING | 2 | |
| 10 | 17131-20E00 | COWLING COMP, FAN | 1 | |
| 11 | 02112-16165 | SCREW, COOLING FAN | 3 | |
| 12 | 02112-16255 | SCREW, FAN COWLING NO. 1 | 2 | |
| 13 | 02112-16205 | SCREW, FAN COWLING | 1 | |
| 14 | 02112-16205 | SCREW, FAN COWLING NO. 2 | 2 | |
| 15 | 03541-06205 | SCREW, FAN COWLING NO. 3 | 1 | |

FIG. 15



VR125

FIG. 15 TRANSMISSION (1)

| REF. NO. | PART NO. | DESCRIPTIONS | Q'TY | REMARKS |
|----------|-------------|------------------------------|------|---------|
| 1 | 21110-46F00 | FACE COMP, FIXED DRIVE | 1 | |
| 2 | 21120-46F00 | FACE COMP, MOVABLE DRIVE | 1 | |
| 3 | 21124T11E00 | SEAL, MOVABLE DRIVE FACE OIL | 1 | |
| 4 | 21431-46F00 | PLATE, MOVABLE DRIVE | 1 | |
| 5 | 21125-46F00 | SPACER, MOVABLE DRIVE | 1 | |
| 6 | 21650T20E30 | ROLLER COMP, MOVABLE DRIVE | 6 | |
| 7 | 21481-46F00 | DAMPER MOVABLE | 3 | |
| 8 | 21126-46F00 | SHIM | 1 | |
| 9 | 21109T98E13 | FRONT FIXED PULLEY ASSY | 1 | |
| 10 | 27601-46F00 | V-BELT, DRIVE | 1 | |
| 11 | 21052T98E00 | FACE ASSY, FIXED DRIVEN | 1 | |
| 12 | 21210-46F00 | FACE COMP, FIXED DRIVEN | 1 | |
| 13 | 21240-46F00 | FACE COMP, MOVABLE DRIVEN | 1 | |
| 14 | 21248-46F00 | PIN, ROLLER GUIDE | 3 | |
| 15 | 09180T05042 | ROLLER GUIDE | 3 | |
| 16 | 21216-46F00 | CIRCLIP, FIXED DRIVEN | 1 | |
| 17 | 21215-46F00 | BEARING, FIXED DRIVEN, L | 1 | |
| 18 | 21214-46F00 | BEARING, FIXED DRIVEN, R | 1 | |
| 19 | 21213-46F00 | SPACER, FIXED DRIVE FACE | 1 | |
| 20 | 09284-34002 | OIL SEAL | 2 | |
| 21 | 21245-46F00 | O RING 36. 7X1.9 | 1 | |
| 22 | 21245-46F10 | O RING 36. 7X1.6 | 1 | |
| 23 | 21471-46F00 | SHEET, MOVABLE DRIVE FACE | 1 | |
| 24 | 21243-46F00 | SPRING, MOVABLE DRIVE | 1 | |
| 25 | 21249-46F00 | SPACER, FIXED DRIVE, L | 1 | |
| 26 | 21472-46F00 | COLLAR, SPRING | 1 | |
| 27 | 21501T20E00 | CLUTCH ASSY, SHOE (NA) | 1 | |
| 28 | 09140T28004 | NUT, SHOE CLUTCH | 1 | |
| 29 | 21220-46F00 | HOUSING COMP, CLUTCH | 1 | |
| 30 | 08316-10105 | NUT, CLUTCH HOUSING | 1 | |
| 31 | 21502T98E00 | CLUTCH ASSY, FACE | 1 | |

2

FIG. 16

2

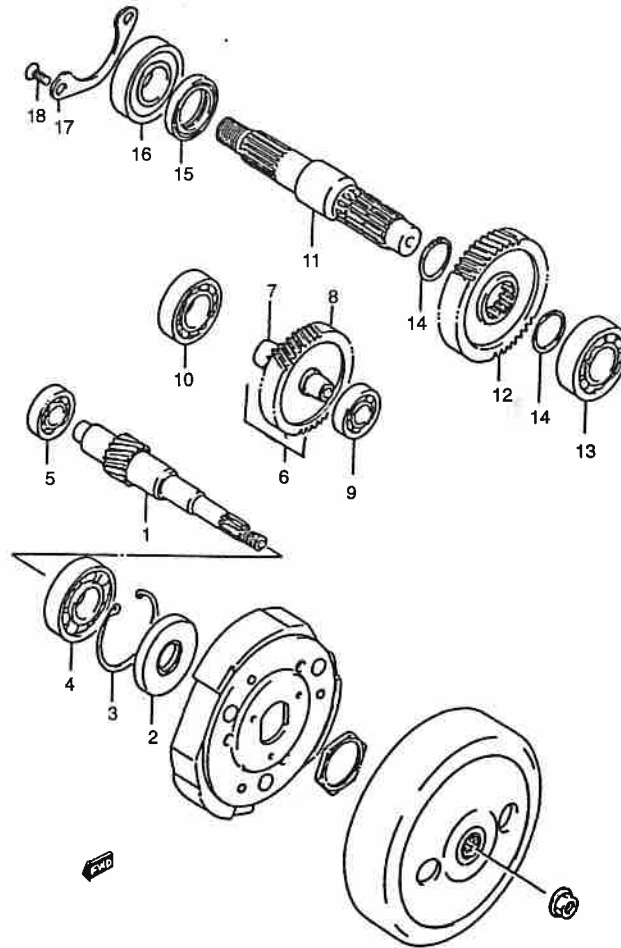


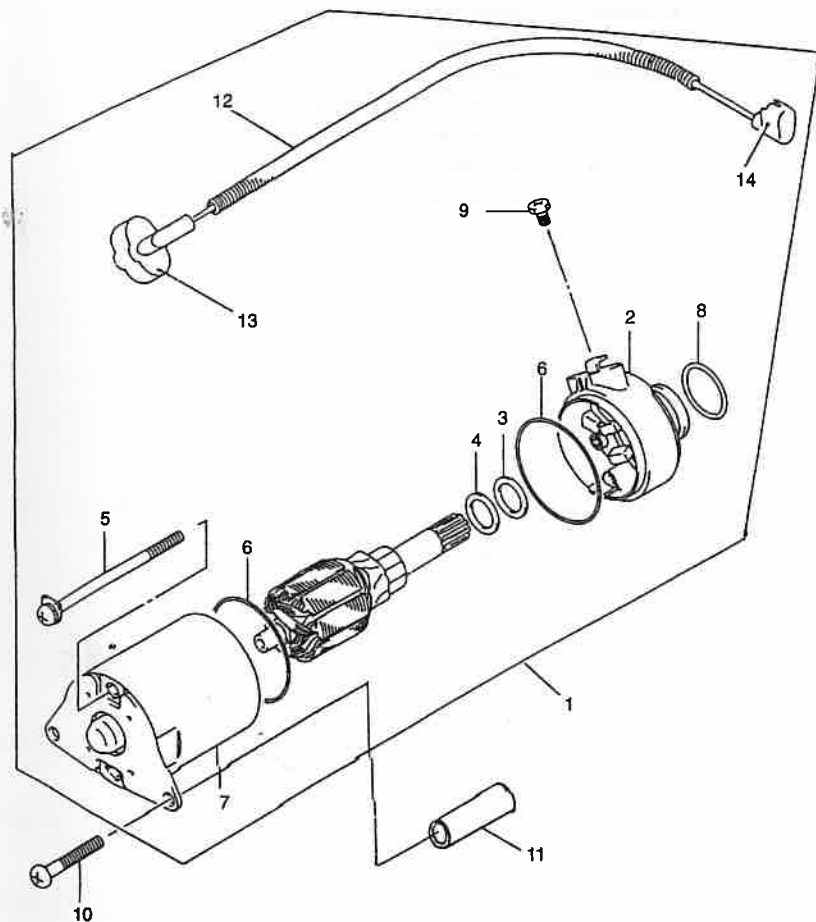
FIG. 16 TRANSMISSION (2)

| REF. NO. | PART NO. | DESCRIPTIONS | Q'TY | REMARKS |
|----------|-------------|------------------------------|------|---------|
| 1 | 24131-46F00 | SHAFT, DRIVE | 1 | |
| 2 | 09283-20054 | SEAL, DRIVE SHAFT OIL | 1 | |
| 3 | 08331-41479 | CIRCLIP, DRIVE SHAFT BRG. L | 1 | |
| 4 | 08110-62040 | BEARING, DRIVEN SHAFT, L | 1 | |
| 5 | 08113-62010 | BEARING, DRIVEN SHAFT, R | 1 | |
| 6 | 24150T20E02 | SHAFT COMP, IDLE | 1 | |
| 7 | 24151T20E01 | SHAFT, IDLE | 3 | |
| 8 | 24381T20E02 | GEAR, IDLE DRIVEN | 1 | |
| 9 | 08113-62010 | BEARING, IDLE SHAFT, L | 1 | |
| 10 | 08113-62030 | BEARING, IDLE SHAFT, R | 1 | |
| 11 | 24141-11E10 | SHAFT, REAR AXLE | 1 | |
| 12 | 24371-20E00 | GEAR, FINAL DRIVEN | 1 | |
| 13 | 08110-62030 | BEARING, AXLE SHAFT | 1 | |
| 14 | 08331-31229 | CIRCLIP, FINAL DRIVEN GEAR | 2 | |
| 15 | 09283-27014 | SEAL, AXLE SHAFT OIL | 1 | |
| 16 | 09262-22027 | BEARING, AXLE SHAFT, R | 1 | |
| 17 | 24751-11E00 | RETAINER, AXLE SHAFT BEARING | 1 | |
| 18 | 02122-06165 | SCREW, BEARING RETAINER | 2 | |

FIG. 17

FIG. 17 STARTER MOTOR

REMARKS



| REF. NO. | PART NO. | DESCRIPTIONS | QTY | REMARKS |
|----------|-------------|-----------------------|-----|---------|
| 1 | 31100T98E00 | MOTOR ASSY, STARTER | 1 | |
| 2 | 31150T98E00 | FRONT BRACKET ASSY | 1 | |
| 3 | 31361T98E00 | WASHER | 1 | |
| 4 | 31861T48E00 | WASHER | 2 | |
| 5 | 31281T98E00 | SET BOLT | 2 | |
| 6 | 31264T98E00 | O-RING | 2 | |
| 7 | 31175T98E00 | REAR BRACKET ASSY | 1 | |
| 8 | 09280-24003 | O-RING | 1 | |
| 9 | 02112-05086 | SCREW | 1 | |
| 10 | 02112-06355 | SCREW, STARTER MOTOR | 2 | |
| 11 | 09180T06195 | SPACER, STARTER MOTOR | 2 | |
| 12 | 33810T98E00 | WIRE, STARTER MOTOR | 1 | |
| 13 | 31861T98E00 | CAP, STARTER MOTOR | 1 | |
| 14 | 31861-10D00 | CAP, STARTER RELAY | 1 | |

3

FIG. 18

3

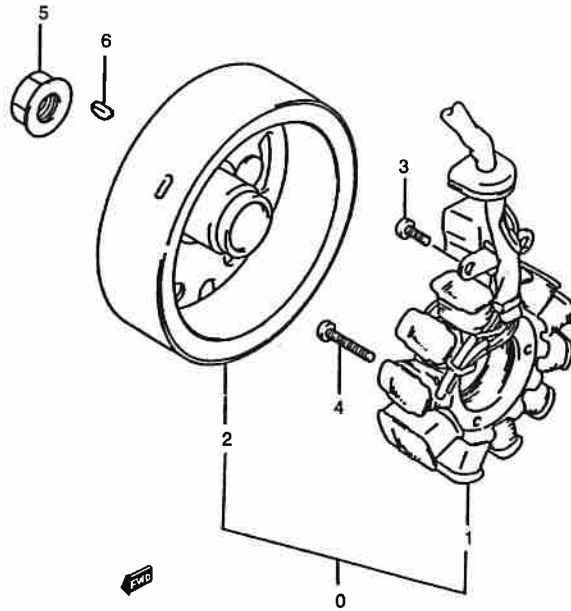


FIG. 18 MAGNETO

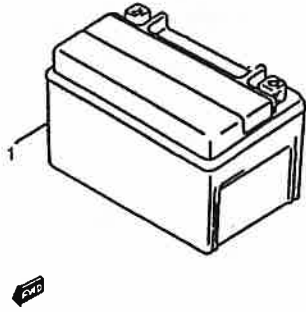
| REF. NO. | PART NO. | DESCRIPTIONS | QTY | REMARKS |
|----------|-------------|----------------------------|-----|---------|
| 0 | 32100-20E50 | MAGNETO ASSY | 1 | |
| 1 | 32101-20E50 | STATOR ASSY | 1 | |
| 2 | 32102-20E50 | ROTOR | 1 | |
| 3 | 02112-05105 | SCREW, PULSER COIL 5*10 | 2 | |
| 4 | 02112-05255 | SCREW, MAGNETO STATOR 5*25 | 3 | |
| 5 | 08316-10125 | NUT, MAGNETO | 1 | |
| 6 | 08341-31039 | KEY, MAGNETO | 1 | |

REMARKS

FIG. 19

FIG. 19 BATTERY

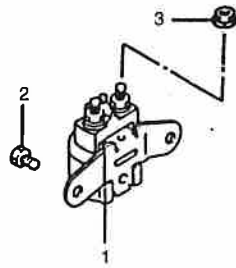
| REF. NO. | PART NO. | DESCRIPTIONS | QTY | REMARKS |
|----------|-------------|------------------------|-----|---------|
| 1 | 33610T06C10 | BATTERY ASSY, YTX7A-BS | 1 | |



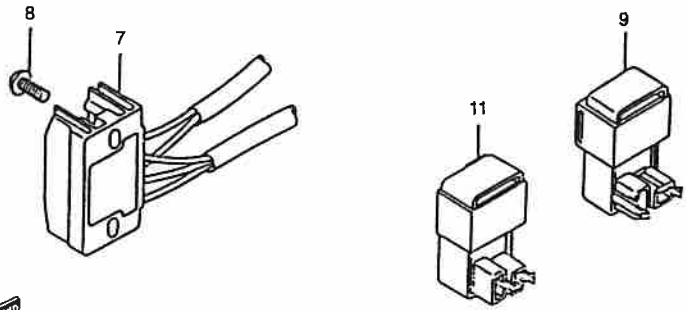
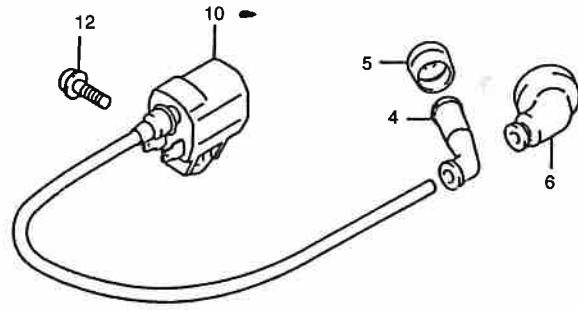
3

VR125

FIG. 20



3



VR125

FIG. 20 ELECTRIC

| REF. NO. | PART NO. | DESCRIPTIONS | Q'TY | REMARKS |
|----------|-------------|---------------------------------|------|---------|
| 1 | 31800T20E00 | RELAY ASSY, STARTING MOTOR | 1 | |
| 2 | 09128-06004 | SCREW, STARTER MOTOR RELAY | 2 | |
| 3 | 08361-35066 | NUT, STARTER MOTOR RELAY TERM 2 | | |
| 4 | 33510-43010 | CAP ASSY, SPARK PLUG | 1 | |
| 5 | 33541-47D00 | SEAL, SPARK PLUG | 1 | |
| 6 | 33542-20E00 | SEAL, HIGH TENSION CORD | 1 | |
| 7 | 32800-11E00 | RECTIFIER ASSY | 1 | |
| 8 | 01550-06165 | BOLT, RECTIFIER | 2 | |
| 9 | 32900T98E00 | CDI UNIT | 1 | |
| 10 | 33410T98E02 | COIL ASSY, IGNITION | 1 | |
| 11 | 32910T98E00 | PTC, CONTROL ASSY | 1 | |
| 12 | 02112-16205 | SCREW | 1 | |

FIG. 21

REMARKS

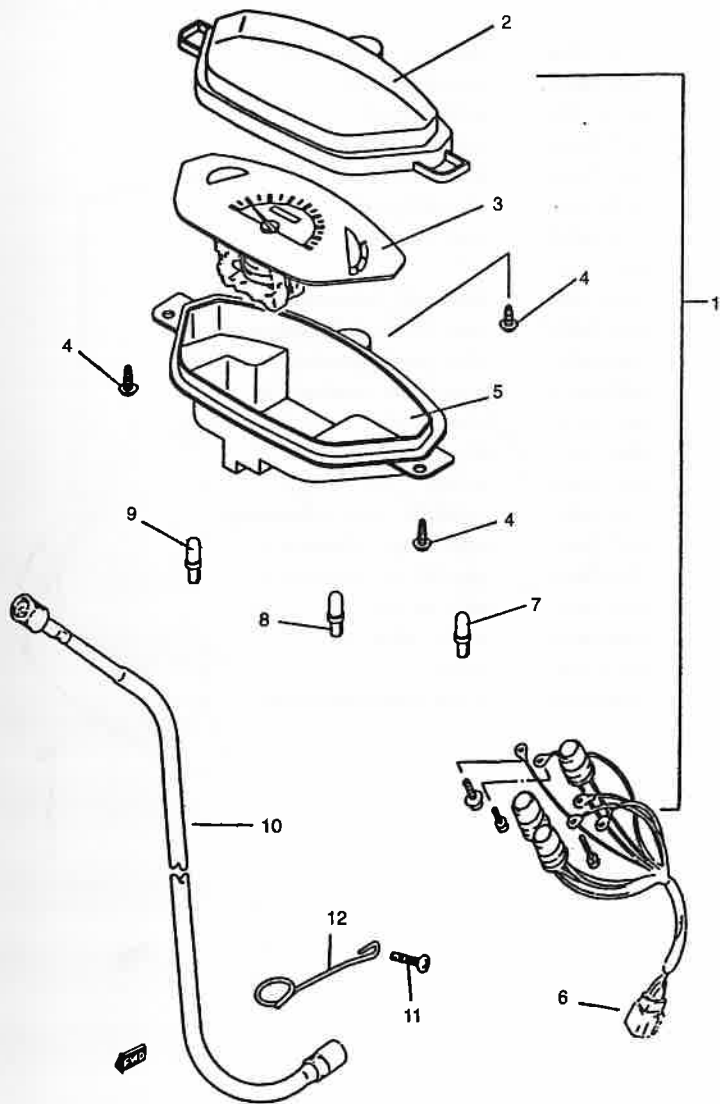


FIG. 21 SPEEDOMETER

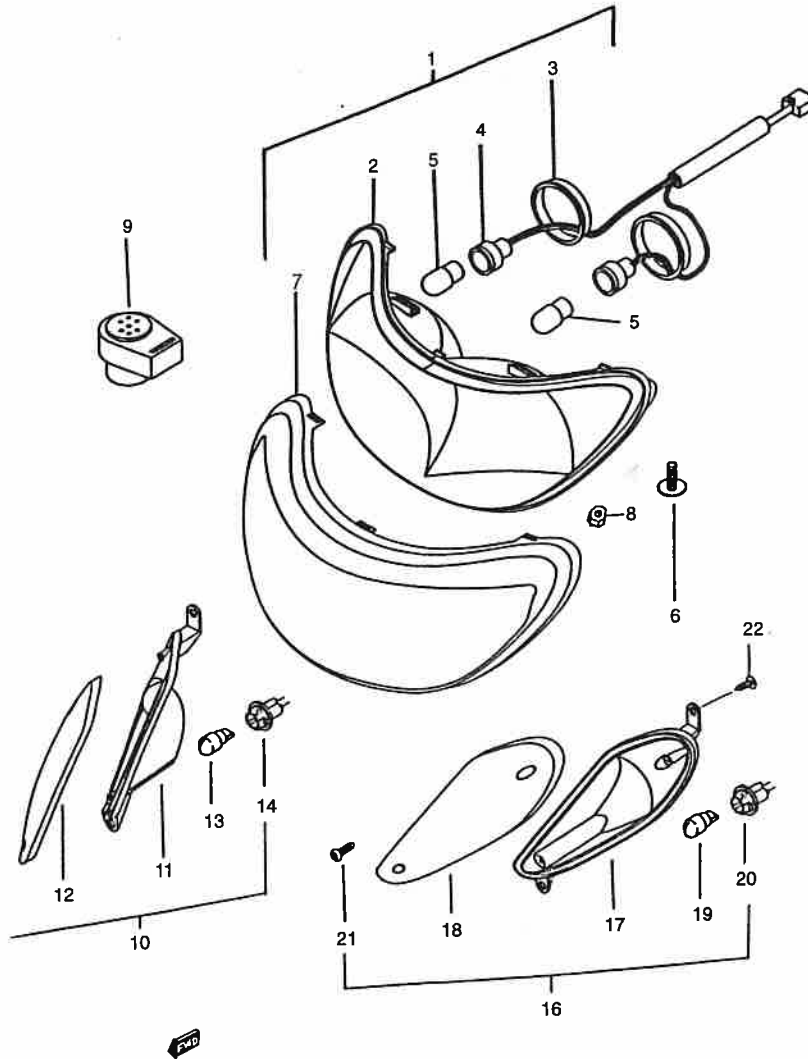
| REF. NO. | PART NO. | DESCRIPTIONS | QTY | REMARKS |
|----------|-------------|--------------------------------|-----|---------|
| 1 | 34100T98EA0 | SPEEDOMETER ASSY | 1 | |
| 2 | 34150T40D30 | LENS, METER | 1 | |
| 3 | 34120T98EA0 | DIAL DESIGN | 1 | |
| 4 | 03541-15165 | SCREW, SPEEDOMETER | 3 | |
| 5 | 34111T98E10 | CASE, LOWER | 1 | |
| 6 | 34173T98E00 | SOCKET, WIRE | 1 | |
| 7 | 09471-12077 | BULB, 12V1.7W | 3 | |
| 8 | 09471-12077 | BULB, 12V1.7W | 1 | |
| 9 | 09471-12028 | BULB, 12V3.4W | 2 | |
| 10 | 34910M20E10 | CABLE ASSY, SPEEDOMETER | 1 | |
| 11 | 02142-05205 | SCREW, SPEEDOMETER CABLE GUIDE | 1 | |
| 12 | 34938M20E00 | GUIDE, SPEEDOMETER CABLE | 1 | |

3

VR125

FIG. 22

3



VR125

FIG. 22 HEAD LAMP & FRONT TURN LAMP

| REF. NO. | PART NO. | DESCRIPTIONS | QTY | REMARKS |
|----------|-------------|---------------------------------|-----|---------|
| 1 | 35100T98E04 | LAMP ASSY, FRONT COMB | 1 | |
| 2 | 35120T98E02 | LAMP COMB, HEAD | 1 | |
| 3 | 35174-11E00 | SOCKETCOVER | 2 | |
| 4 | 35171T98E00 | SOCKET, HEAD BULB | 1 | |
| 5 | 09471T12095 | BULB, 12V 30W/30W | 2 | |
| 6 | 09136-05051 | BOLT, HEAD LAMP | 1 | |
| 7 | 35124T98E02 | LENS, HEAD LAMP | 1 | |
| 8 | 08318-11052 | NUT | 1 | |
| 9 | 38610T25E01 | RELAY ASSY, TURN SIGNAL | 1 | |
| 10 | 35601T98E11 | LAMP ASSY, FRONT TURN SIGNAL, R | 1 | |
| 11 | 35611T98E01 | BODY, FRONT TURN SIGNAL, R | 1 | |
| 12 | 35612T98E10 | LENS, FRONT TURN SIGNAL, R | 1 | |
| 13 | 09471-12115 | BULB, 12V 10W | 1 | |
| 14 | 35618T98E00 | SOCKET, BULB | 1 | |
| 15 | 03211-04126 | SCREW | 2 | |
| 16 | 35602T98E11 | LAMP ASSY, FRONT TURN SIGNAL, L | 1 | |
| 17 | 35631T98E01 | BODY, FRONT TURN SIGNAL, L | 1 | |
| 18 | 35632T98E10 | LENS, FRONT TURN SIGNAL, L | 1 | |
| 19 | 09471-12115 | BULB, 12V 10W | 1 | |
| 20 | 35638T98E00 | SOCKET, BULB | 1 | |
| 21 | 03211-04126 | SCREW | 2 | |
| 22 | 03141-05125 | SCREW, FRONT TURN SIGNAL | 6 | |

FIG. 23

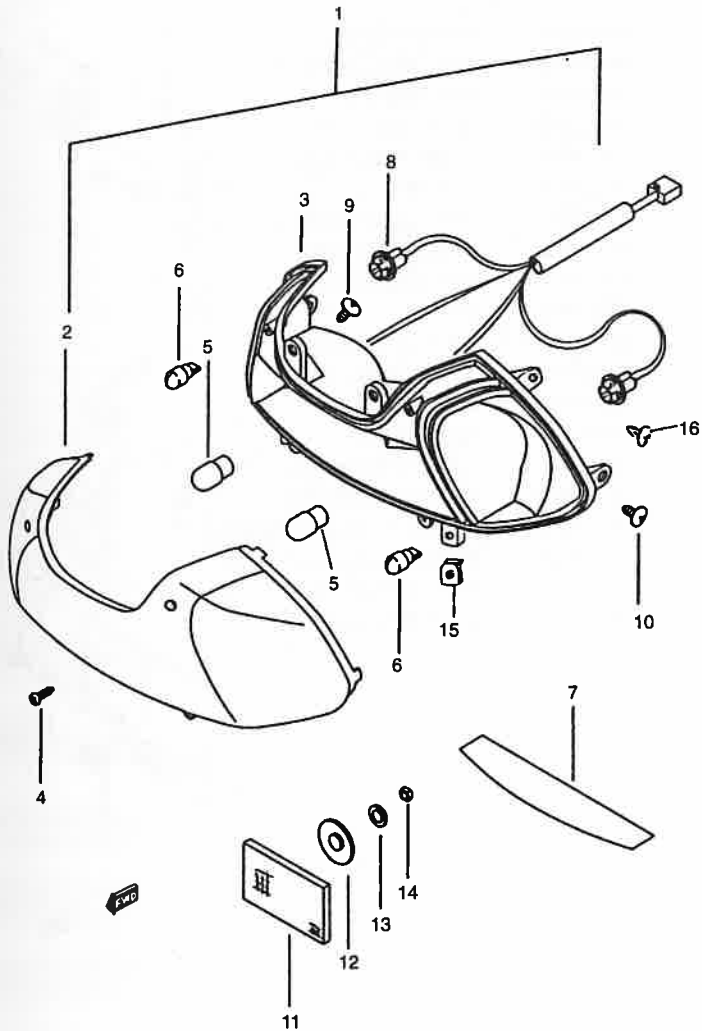


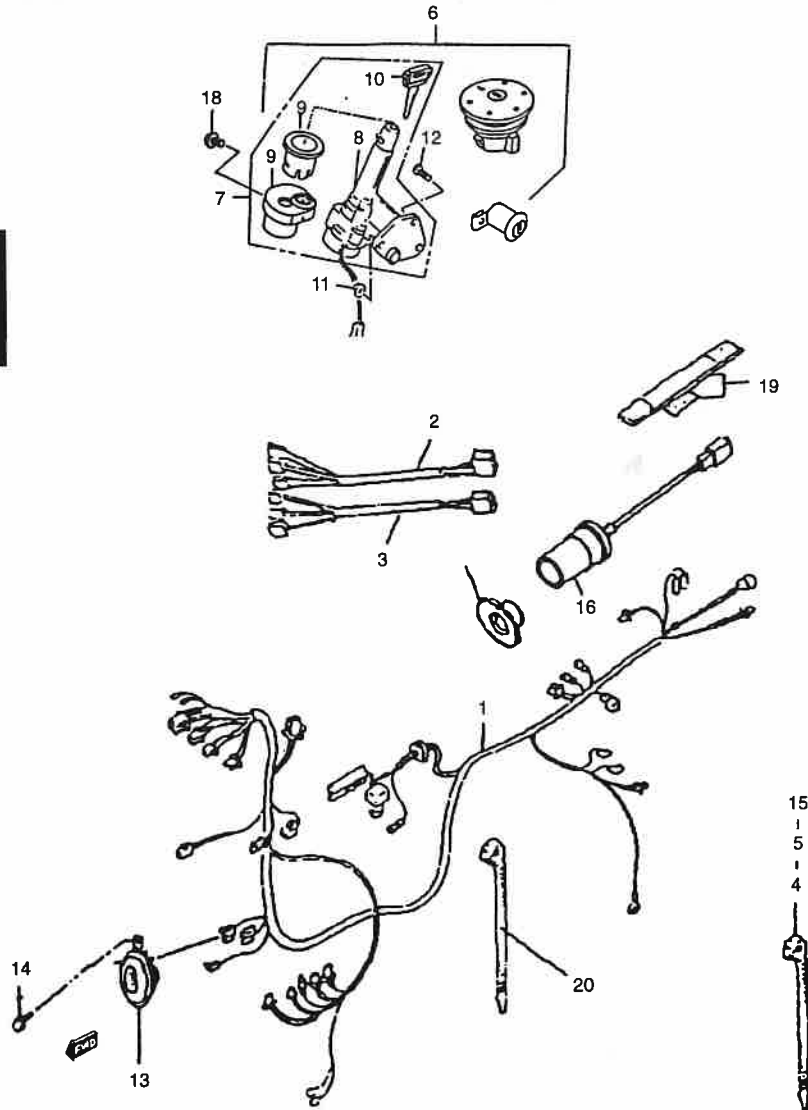
FIG. 23 REAR LAMP & REAR TURN LAMP

| REF. NO. | PART NO. | DESCRIPTIONS | QTY | REMARKS |
|----------|-------------|----------------------|-----|---------|
| 1 | 35710T98E13 | LAMP ASSY, REAR COMB | 1 | |
| 2 | 35712T98E11 | LENS, REAR COMB | 1 | |
| 3 | 35711T98E03 | BODY, REAR COMB | 1 | |
| 4 | 03211-04126 | SCREW | 4 | |
| 5 | 09471-12128 | BULE, 12V 21W/5W | 2 | |
| 6 | 09471-12115 | BULE, 12V 10W | 2 | |
| 7 | 35912T98E00 | LENS | 1 | |
| 8 | 35713T98E00 | SOCKET, BULB | 1 | |
| 9 | 03541-05125 | SCREW, FRAME CENTER | 2 | |
| 10 | 03541-05125 | SCREW, SIDE COVER | 2 | |
| 11 | 35970-29C00 | RR ASSY, REAR | 1 | |
| 12 | 09160-05018 | WASHER | 1 | |
| 13 | 08321-21056 | LOCK WASHER, REAR RR | 1 | |
| 14 | 08310-11056 | NUT | 1 | |
| 15 | 09148-05038 | NUT, REAR LAMP | 2 | |
| 16 | 03541-04125 | SCREW, SIDE COVER | 2 | |

3

FIG. 24

3



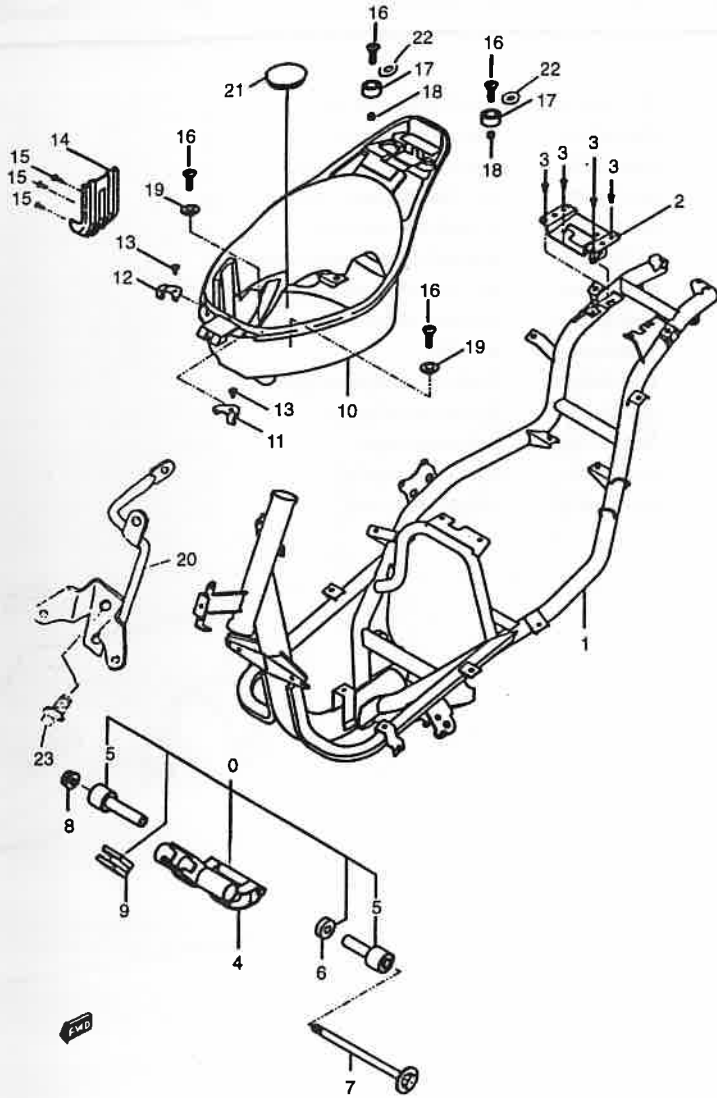
VR125

FIG. 24 WIRE HARNESS

| REF. NO. | PART NO. | DESCRIPTIONS | QTY | REMARKS |
|----------|--------------|--------------------------|-----|---------|
| 1 | 36610T98E14 | NARNESS WIRING | 1 | |
| 2 | 36612T98E02 | WIRE, HANDLE SWITCH, R | 1 | |
| 3 | 36613T98E01 | WIRE, HANDLE SWITCH, L | 1 | |
| 4 | 09407-15401 | CLAMP, WIRING HARNESS | 3 | |
| 5 | 09407-30403 | CLAMP, WIRING HARNESS | 3 | |
| 6 | 37000T98E270 | LOCK SET | 1 | |
| 7 | 37100T98E11 | LOCK ASSY, STEERING | 1 | |
| 8 | 37110T98E10 | LOCK COMP, STEERING | 1 | |
| 9 | 37120T98E11 | LOCK COMP, MAGNETIC | 1 | |
| 10 | 37142T98E10 | KEY | 2 | |
| 11 | 08316-20065 | NUT, STEERING LOCK | 1 | |
| 12 | 09128-06030 | BOLT, STEERING LOCK | 2 | |
| 13 | 38500T16D14 | HORN ASSY | 1 | |
| 14 | 01560-06125 | BOLT, HORN | 1 | |
| 15 | 09407-20406 | CLAMP, WIRING HARNESS | 4 | |
| 16 | 32210T99M10 | CHARGER HOLDER ASSY | 1 | |
| 17 | 32222T99M01 | GROMMENT, CHARGER HOLDER | 1 | |
| 18 | 02112-75108 | SCREW, MAGNETIC LOCK | 1 | |
| 19 | 32230T99M00 | FIXED COMP, PHONE | 1 | |
| 20 | 09407-414A0 | CLAMP, MAG WIRING | 1 | |

FIG. 25

REMARKS



VR125

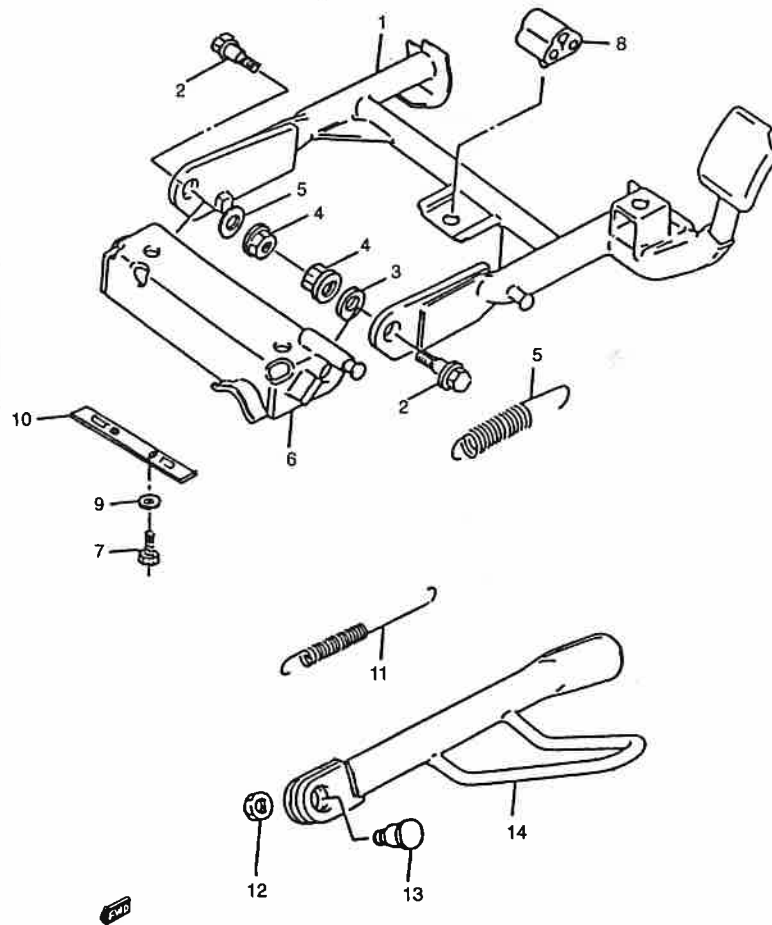
FIG. 25 FRAME

| REF. NO. | PART NO. | DESCRIPTIONS | QTY | REMARKS |
|----------|-------------|----------------------------|-----|---------|
| 0 | 41018T98E03 | BRACKET SET, CRANKCASE | 1 | |
| 1 | 41100M98EA0 | FRAME COMP | 1 | |
| 2 | 41330T98E00 | BRACKET COMP, SEAT LOCK | 1 | |
| 3 | 02142-05125 | SCREW, SEAT LOCK BRACKET | 4 | |
| 4 | 41180T98E04 | BRACKET COMP, CRANKCASE | 1 | |
| 5 | 41175-46F00 | BUSH, CRANKCASE BRACKET | 2 | |
| 6 | 41171-46F00 | SPACER, CRANKCASE BRACKET | 1 | |
| 7 | 09100-12068 | BOLT, CRANKCASE BRACKET | 1 | |
| 8 | 08319-31128 | NUT, CRANKCASE BRACKET | 1 | |
| 9 | 41185-41D00 | CUSHION, CRANKCASE BRACKET | 1 | |
| 10 | 92211T11F02 | BOX, HELMET | 1 | |
| 11 | 95731T11F00 | HOLDER, HELMET BOX, L | 1 | |
| 12 | 95721T11F00 | HOLDER, HELMET BOX, R | 1 | |
| 13 | 03141-15165 | SCREW, HELMET BOX HOLDER | 2 | |
| 14 | 92221-11F00 | COVER, HELMET BOX | 1 | |
| 15 | 03541-04125 | SCREW, HELMET BOX COVER | 3 | |
| 16 | 01550-06205 | BOLT, HELMET BOX | 4 | |
| 17 | 45141T09F00 | CUSHION, SEAT MOUNT | 2 | |
| 18 | 09180-06114 | SPACER, SEAT CUSHION | 2 | |
| 19 | 09159-06057 | WASHER, HELMET BOX, FRONT | 2 | |
| 20 | 48180T98E10 | BRACKET COMP, FRONT BASKET | 1 | |
| 21 | 09250-30003 | PLUG, HELMET BOX | 1 | |
| 22 | 09160-06042 | WASHER, SEAT MOUNT CUSHION | 2 | |
| 23 | 01550-06125 | BOLT | 1 | |

4

FIG. 26

4



VR125

FIG. 26 STAND

| REF. NO. | PART NO. | DESCRIPTIONS | Q'TY | REMARKS |
|----------|-------------|----------------------------|------|---------|
| 1 | 42100M20E01 | STAND COMP, CENTER | 1 | |
| 2 | 42211T20E00 | BOLT, CENTER STAND | 2 | |
| 3 | 08322-21086 | WASHER, CENTER STAND | 2 | |
| 4 | 08319-31086 | NUT, CENTER STAND COTTER | 2 | |
| 5 | 09443M17023 | SPRING, CENTER STAND | 1 | |
| 6 | 42270M20E01 | BRACKET COMP, CENTER STAND | 1 | |
| 7 | 09103-08342 | BOLT, CENTER STAND BRKT | 2 | |
| 8 | 09321M10029 | CUSHION, CENTER STAND | 1 | |
| 9 | 09164-08020 | WASHER | 2 | |
| 10 | 42191M20E00 | PLATE, CENTER STAND BRKT | 1 | |
| 11 | 09443M14022 | SPRING, PROP STAND | 1 | |
| 12 | 08310-22108 | NUT, PROP STAND | 1 | |
| 13 | 09111-10014 | BOLT, PROP STAND | 1 | |
| 14 | 42310M98E00 | STAND COMP, PROP | 1 | |

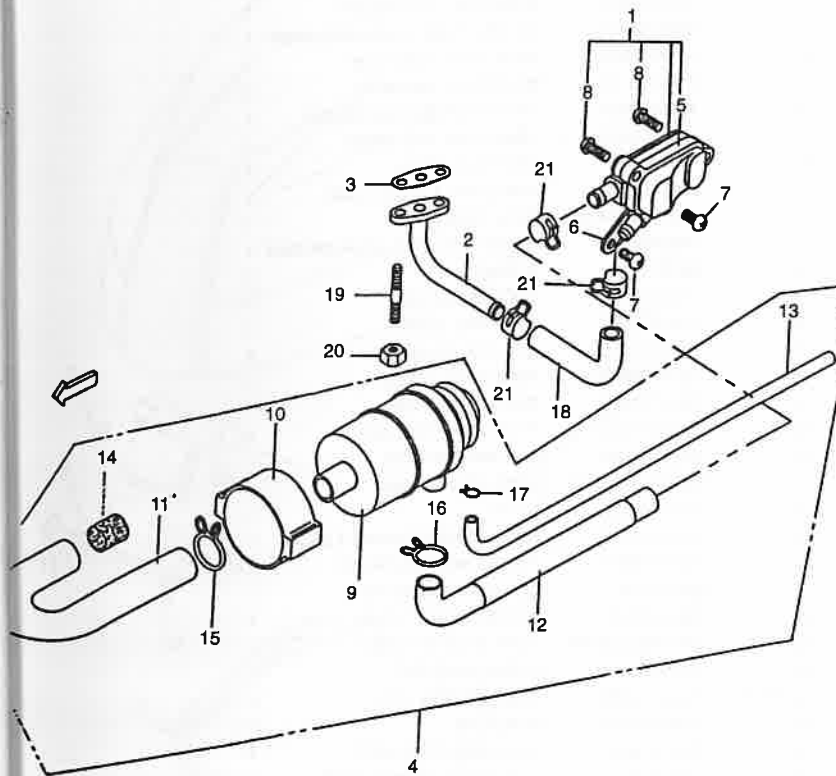


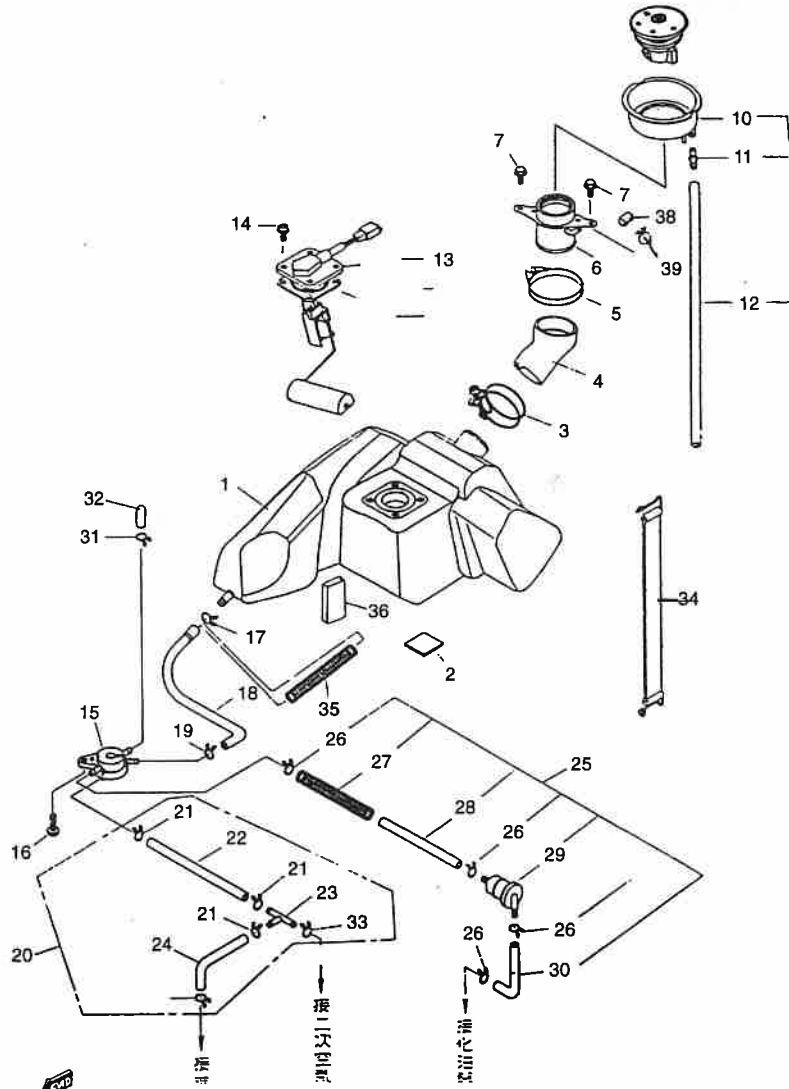
FIG. 27 2ND AIR SYSTEM

| REF. NO. | PART NO. | DESCRIPTIONS | QTY | REMARKS |
|----------|-----------------|-----------------------------|-----|---------|
| ① | 18510-46F00 | VALVE COMP, 2ND AIR REED | 1 | |
| 2 | 18410-46F00 | PIPE COMP, 2ND AIR | 1 | |
| 3 | 18441-45C00 | GASKET, 2ND AIR PIPE (NA) | 1 | |
| 4 | 18700T11F11 | A.I.A.C. ASSY | 1 | |
| 5 | 18450-41D01 | VALVE ASSY, 2ND AIR CLEANER | 1 | |
| 6 | 18621-46F00 | BRACKET, 2ND AIR REED VALVE | 1 | |
| 7 | 02112-06126 | SCREW, 2ND AIR REED VALVE | 2 | |
| 8 | 02112-06166 | SCREW | 3 | |
| ⑨ | 18710T11F00 | A.I.A.C. COMP | 1 | |
| 10 | 18711T11F00 | RUBBER, A.I.A.C. | 1 | |
| 11 | 18731T11F00 | HOSE, 2ND AIR INLET | 1 | |
| 12 | 18521T11F00 | HOSE, 2ND AIR VALVE | 1 | |
| 13 | 09359T35804-400 | HOSE, VACUUM NO. 2 | 1 | |
| 14 | 18741T11F00 | FILTER | 1 | |
| 15 | 09401T22401 | CLIP | 1 | |
| 16 | 09401T16401 | CLIP | 1 | |
| 17 | 09401T08401 | CLIP | 1 | |
| 18 | 18461-46F00 | HOSE, 2ND AIR REED VALVE | 1 | |
| 19 | 01421-06165 | STUD BOLT | 2 | |
| 20 | 08316-10065 | NUT | 2 | |
| 21 | 18428-46F00 | CLIP, 2ND AIR HOSE | 3 | |
| 22 | 09407-15401 | CLIP, 2ND AIR HOSE | 1 | |

4

FIG. 28

4



VR125

FIG. 28 FUEL TANK

| REF. NO. | PART NO. | DESCRIPTIONS | Q'TY | REMARKS |
|----------|-----------------|---------------------------------|------|---------|
| 1 | 44110T98E01 | TANK COMP, FUEL | 1 | |
| 2 | 44281M29C00 | CUSHION, FUEL TANK | 5 | |
| 3 | 09402-72208 | CLAMP, F TANK FILLER HOSE LOWER | 1 | |
| 4 | 44422T98E01 | HOSE, FUEL TANK FILLER | 1 | |
| 5 | 09402-58208 | CLAMP, F TANK FILLER HOSE UPPER | 1 | |
| 6 | 44190T98E01 | INLET COMP, FUEL TANK | 1 | |
| 7 | 01550-06125 | BOLT, FUEL TANK INLET | 2 | |
| 8 | 44200T98E20 | CAP ASSY, FUEL TANK FILLER | 1 | |
| 9 | 44260T98E01 | TRAY COMP, FUEL DRAIN | 1 | |
| 10 | 44261-11F01 | TRAY, FUEL DRAIN | 1 | |
| 11 | 09367T06003 | JOINT, TRAY & DRAIN HOSE | 1 | |
| 12 | 09352T50104-420 | HOSE, DRAIN | 1 | |
| 13 | 34810T98E01 | GAUGE ASSY, FUEL LEVEL SENDER | 1 | |
| 14 | 02112-76165 | SCREW | 4 | |
| 15 | 44300-11B01 | COCK ASSY, FUEL | 1 | |
| 16 | 01550-06165 | BOLT, FUEL COCK | 1 | |
| 17 | 09401-11403 | CLIP, FUEL TANK OUT | 1 | |
| 18 | 44199T98E00 | HOSE, TANK & COCK | 1 | |
| 19 | 09401T09403 | CLIP, FUEL COCK IN | 1 | |
| 20 | 44425T98E02 | HOSE COMP, VACUUM | 1 | |
| 21 | 09401T09403 | CLIP, VACUUM HOSE | 3 | |
| 22 | 09352T50104-350 | HOSE, COCK & 3-WAY | 1 | |
| 23 | 09367-06002 | 3-WAY | 1 | |
| 24 | 44426-34F00 | HOSE, AIR VENT, INTAKE & 3-WAY | 1 | |
| 25 | 44309T98E00 | HOSE COMP, FUEL FILTER | 1 | |
| 26 | 09401T09403 | CLIP, COCK & CARB HOSE | 4 | |
| 27 | 09440-13020 | SPRING, OUTLET HOSE | 1 | |
| 28 | 09352T50104-300 | HOSE, COCK & FILTER | 1 | |
| 29 | 44310T11E01 | FILTER COMP, FUEL | 1 | |
| 30 | 16621T43E01 | HOSE, FILTER & CARB | 1 | |
| 31 | 44481-34F00 | CLIP, PLUG | 1 | |
| 32 | 09251T06001 | PLUG, FUEL COCK VENT | 1 | |
| 33 | 09401T08301 | CLIP, A.I.A.C. VACUUM HOSE | 1 | |
| 34 | 44292-25E00 | BAND, FUEL TANK | 1 | |
| 35 | 09440-13020 | SPRING, TANK & COCK HOSE | 1 | |
| 36 | 53145M48B00 | CUSHION, FUEL TANK | 1 | |
| 37 | 44481-34F00 | CLIP | 1 | |
| 38 | 09251T06001 | PLUG | 1 | |
| 39 | 44481-34F00 | CLIP | 1 | |

REMARKS

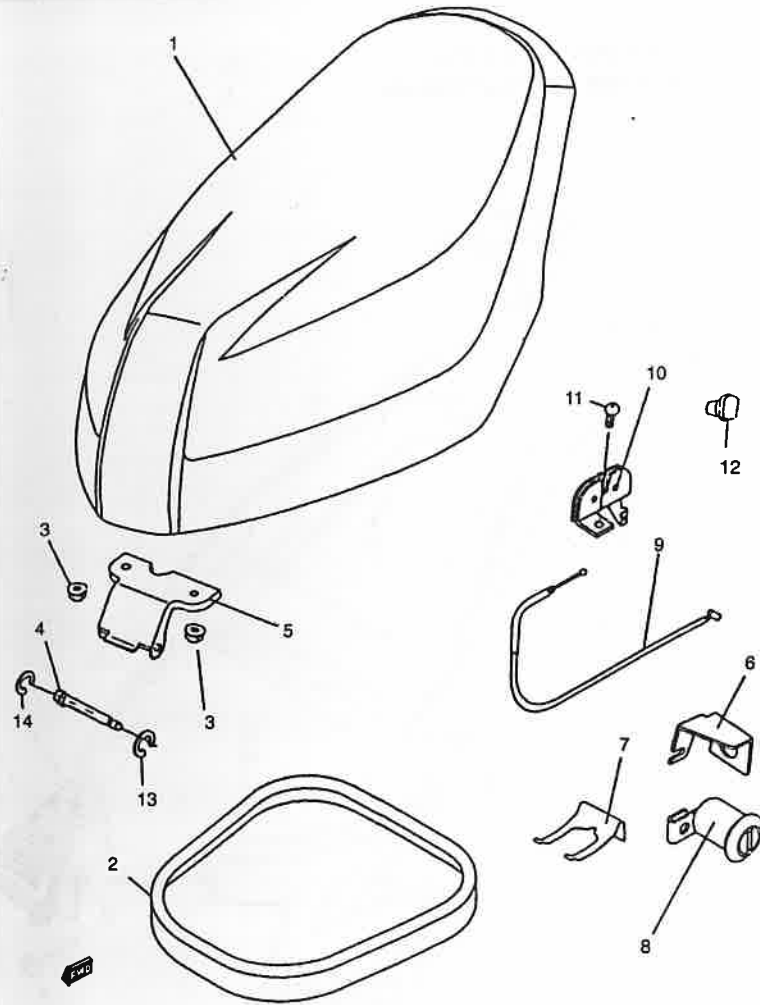


FIG. 29 SEAT

| REF. NO. | PART NO. | DESCRIPTIONS | Q'TY | REMARKS |
|----------|---------------------------------|-----------------------------|------|------------------------|
| 1 | 45100T98E11 | SEAT ASSY | 1 | |
| 2 | 45211-11F00 | MOLDING, SEAT | 1 | |
| 3 | 08316-10065 | NUT, SEAT SUPPORT FRONT | 2 | |
| 4 | 45215T11F01 | PIN, SEAT SUPPORT, FRONT | 1 | |
| 5 | 45285T11F01 | BRACKET, SEAT SPRT FR HINGE | 1 | |
| 6 | 45288T98E10 | BRACKET, SEAT LOCK NO. 2 | 1 | |
| 7 | 45289-46F00 | PLATE, SEAT LOCK NO. 2 | 1 | |
| 8 | 95700 95700-46F00 | LOCK ASSY, SEAT NO. 2 | 1 | chg to 95700-98E11.000 |
| 9 | 45280M98E00 | CABLE COMP, SEAT LOCK | 1 | |
| 10 | 45700T11F02 | LOCK ASSY, SEAT NO. 1 | 1 | |
| 11 | 02112-76126 | SCREW, SEAT LOCK NO. 1 | 2 | |
| 12 | 45142T11F01 | CUSHION, SEAT LOCK | 1 | |
| 13 | 08332-11056 | E RING, SEAT PIN | 2 | |

4

FIG. 30

4

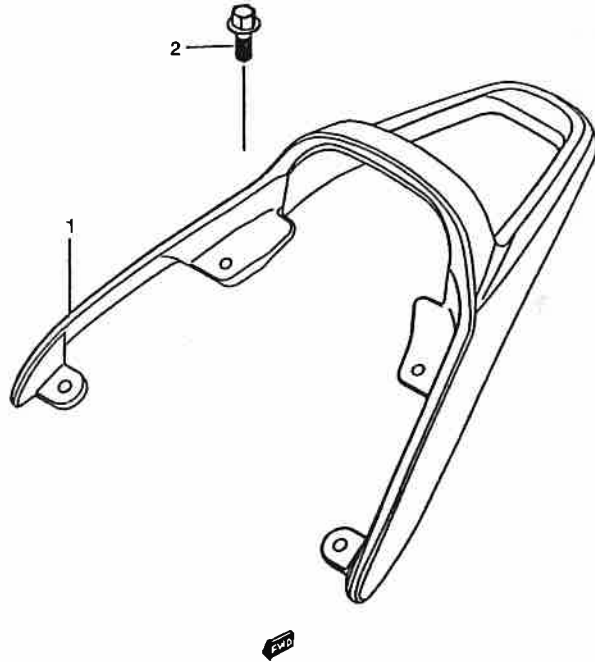
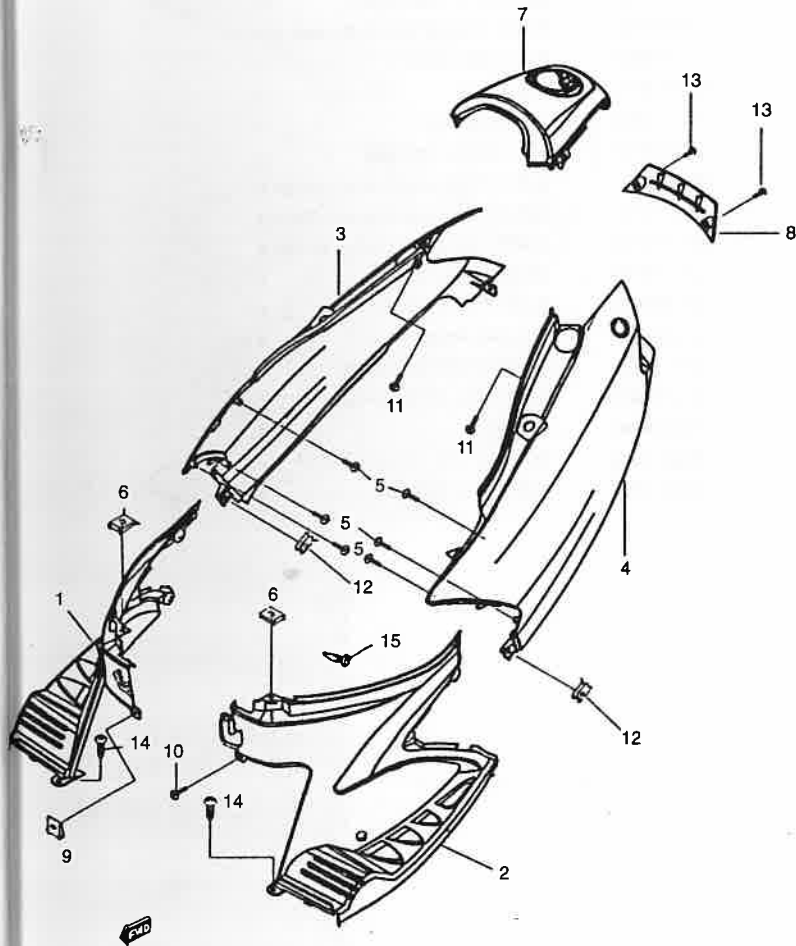


FIG. 30 GRIP/SPOILER/CARRIER

| REF. NO. | PART NO. | DESCRIPTIONS | Q'TY | REMARKS |
|----------|-------------|------------------|------|---------|
| 1 | 43971E98E20 | GRIP, STAND | 1 | |
| 2 | 01550-08205 | BOLT, STAND GRIP | 4 | |





VR125

FIG. 31 FRAME COVER

| REF. NO. | PART NO. | DESCRIPTIONS | QTY | REMARKS |
|----------|-------------|-----------------------------------|-----|---------|
| 1 | 47121T98E01 | COVER, FRAME SIDE LOWER, R | 1 | |
| 2 | 47221T98E02 | COVER, FRAME SIDE LOWER, L | 1 | |
| 3 | 47111T98E02 | COVER, FRAME COVER, R | 1 | |
| 4 | 47211T98E14 | COVER, FRAME SIDE, L | 1 | |
| 5 | 03541-04125 | SCREW, FRAME SIDE COVER | 6 | |
| 6 | 09148-05038 | NUT, SIDE LOWER COVER & HELMETBOX | 2 | |
| 7 | 47311T98E00 | COVER, FRAME CENTER | 1 | |
| 8 | 47331T98E01 | COVER, FRAME REAR | 1 | |
| 9 | 09148-05038 | NUT, SIDE LOWER COVER, CENTER | 1 | |
| 10 | 03541-05125 | SCREW, SIDE LOWER COVER, CENTER | 1 | |
| 11 | 03141-04165 | SCREW, SIDE COVER & CENTER COVER | 2 | |
| 12 | 09148-05020 | NUT, LEG REAR | 2 | |
| 13 | 03141-05165 | SCREW, REAR COVER | 2 | |
| 14 | 03141-05165 | SCREW, SIDE LOW COVER & RR SHIELD | 2 | |
| 15 | 03111-04125 | SCREW, SIDE COVER LOWER | 1 | |

4

FIG. 32

4

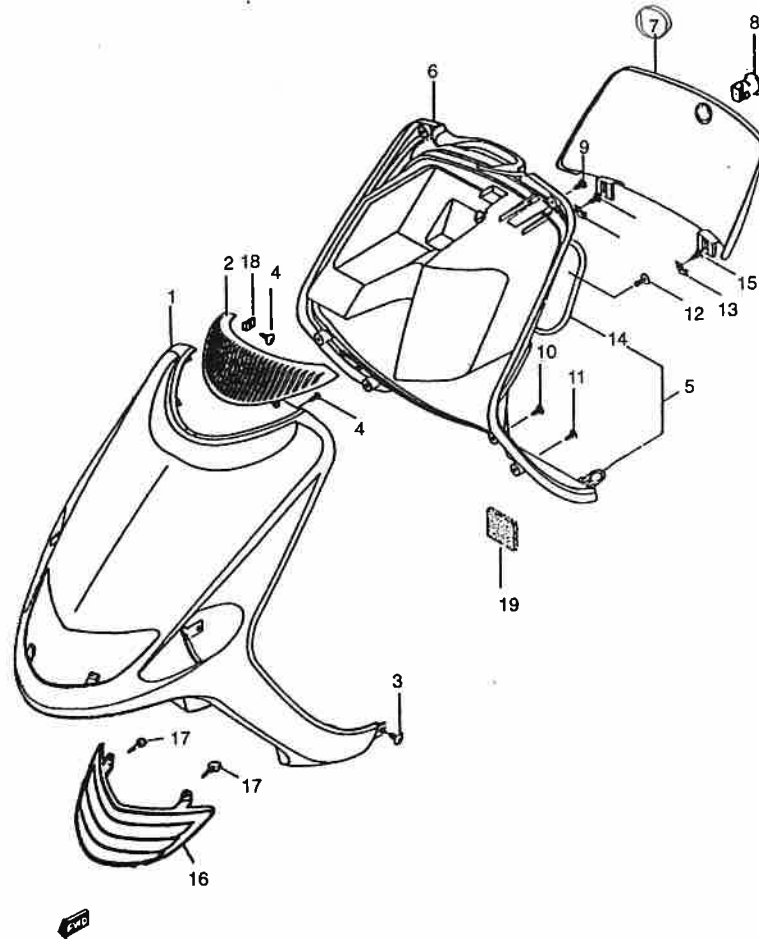


FIG. 32 LEG SHIELD

| REF. NO. | PART NO. | DESCRIPTIONS | Q'TY | REMARKS |
|----------|-------------|--------------------------------|------|---------|
| 1 | 48111T98E01 | SHIELD, LEG FRONT | 1 | |
| 2 | 48112T98E10 | VENT, LEG SHIELD | 1 | |
| 3 | 02142-06125 | BOLT, FRONT LEG SHIELD | 2 | |
| 4 | 03141-04165 | SCREW, VENT & FRONT LEG SHIELD | 4 | |
| 5 | 92110T98E40 | BOX COMP, FRONT | 1 | |
| 6 | 92111T98E31 | BOX, FRONT | 1 | |
| 7 | 92112T98E00 | LID, FRONT BOX | 1 | |
| 8 | 92130-46F00 | LOCK ASSY, FRONT BOX | 1 | |
| 9 | 03141-05165 | SCREW, BOX & LEG SHIELD, UPPER | 2 | |
| 10 | 03141-05165 | SCREW, BOX & LEG SHIELD, LOWER | 2 | |
| 11 | 03141-05165 | SCREW, BOX & LEG SHIELD, UPPER | 2 | |
| 12 | 02142-06165 | SCREW, FRONT BOX | 1 | |
| 13 | 92113T98E00 | PLATE, FRONT BOX | 2 | |
| 14 | 92114T98E01 | MOLDING, FRONT BOX | 1 | |
| 15 | 03141-05165 | SCREW, FRONT BOX PLATE | 2 | |
| 16 | 48113T98E10 | VENT, LEG SHIELD, LOWER | 1 | |
| 17 | 03141-04125 | SCREW | 2 | |
| 18 | 09148-04019 | NUT, VENT & FRONT LEG SHIELD | 2 | |
| 19 | 92204-11E00 | CUSHION, FRONT BOX | 2 | |

CHANGE TO :

92112T98E01 (LID FRONT BOX)
 92116T98E00 (PLATE)
 03541-04105 (SCREW) X 3 Pcs/SET

92120T98E00
 (LID COMP. FRONT BOX)

FIG. 33

REMARKS

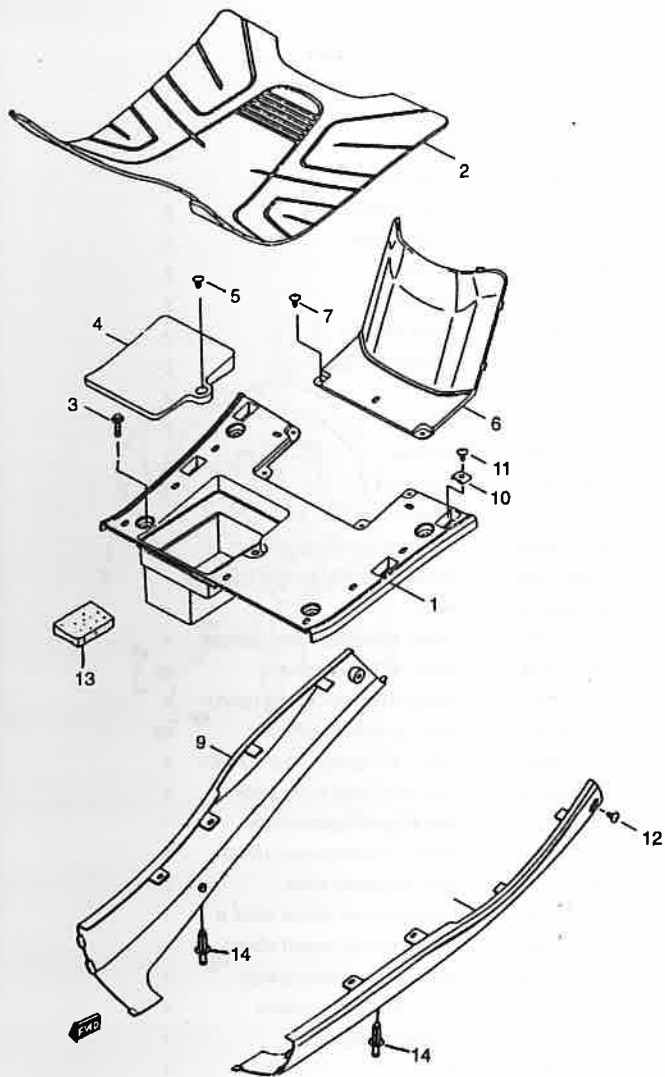


FIG. 33 REAR LEG SHIELD

| REF. NO. | PART NO. | DESCRIPTIONS | QTY | REMARKS |
|----------|-------------|----------------------------------|-----|---------|
| 1 | 48121T98E02 | SHIELD, LEG REAR | 1 | |
| 2 | 43551T98E00 | MAT, FLOOR | 1 | |
| 3 | 09116-06144 | BOLT, LEG REAR SHIELD | 4 | |
| 4 | 48125T98E00 | LID, BATTERY HOLDER | 1 | |
| 5 | 03141-05205 | SCREW, BATTERY HOLDER LTD | 1 | |
| 6 | 47371T98E01 | LID, FRAME CENTER | 1 | |
| 7 | 03141-05165 | SCREW, CENTER LID | 2 | |
| 8 | 48151-20E10 | SHIELD, LEG SIDE, L | 1 | |
| 9 | 48141-20E10 | SHIELD, LEG SIDE, R | 1 | |
| 10 | 09148-05020 | NUT, REAR LEG SHIELD | 4 | |
| 11 | 03141-05165 | SCREW, REAR SHIELD & SIDE SHIELD | 4 | |
| 12 | 03141-05165 | SCREW, SIDE LEG SHIELD | 2 | |
| 13 | 33652T98E01 | PROTECTOR, BATTERY | 1 | |
| 14 | 09409T06002 | PUSH RIVET | 2 | |

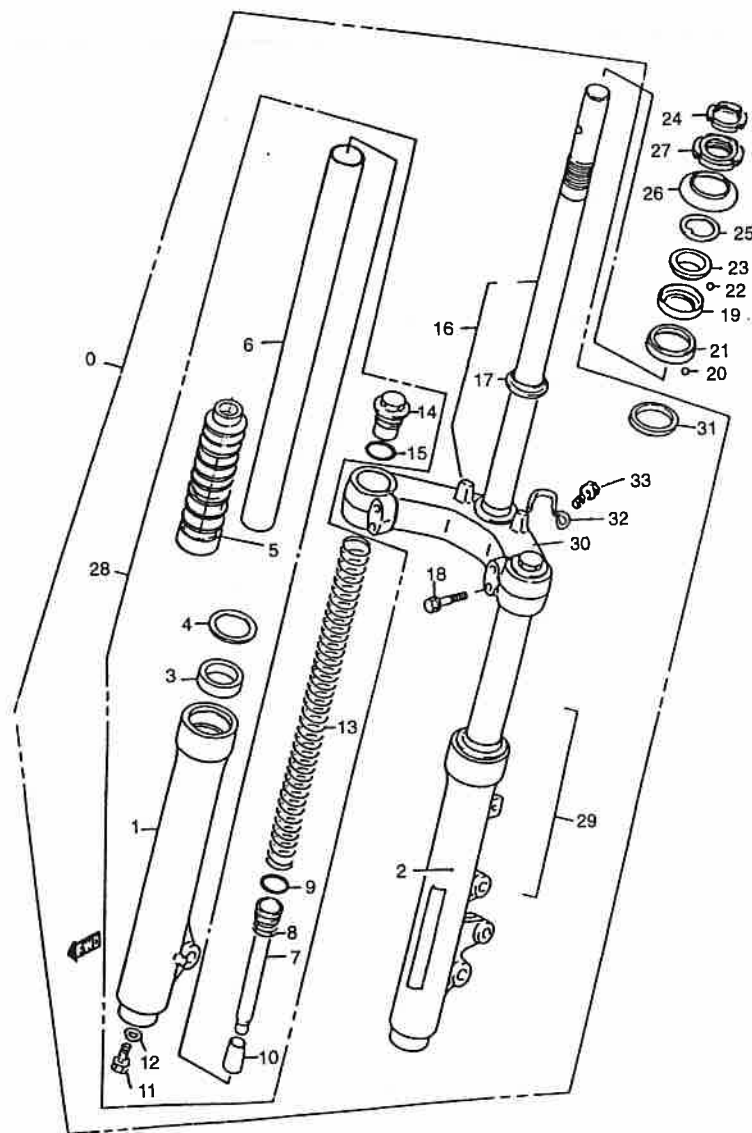
4

98E00
(R. FRONT BOX)

VR125

FIG. 34

4



VR125

FIG. 34 FRONT FORK (1)

| REF. NO. | PART NO. | DESCRIPTIONS | Q'TY | REMARKS |
|----------|-------------|-----------------------------|------|---------|
| 0 | 51100M98E10 | FORK ASSY, FRONT | 1 | |
| 1 | 51130-11E01 | TUBE COMP, OUTER R | 1 | |
| 2 | 51140-11E01 | TUBE, OUTER | 1 | |
| 3 | 51153-36A00 | SEAL | 2 | |
| 4 | 51156-39260 | SNAP RING | 2 | |
| 5 | 51173-11E01 | SEAL, DAST COVER | 2 | |
| 6 | 51110-11E01 | TUBE, INNER | 2 | |
| 7 | 51146-11E01 | CYLINDER | 2 | |
| 8 | 51177-36A00 | SPRING | 2 | |
| 9 | 51196-36A00 | RING, PISTON | 2 | |
| 10 | 51195-11E01 | PISTON, OIL LOCK | 2 | |
| 11 | 51147-16S10 | BOLT | 2 | |
| 12 | 51148-41310 | GASKET | 2 | |
| 13 | 51171-11E01 | SPRING | 2 | |
| 14 | 51351-39221 | CAP, BOLT | 2 | |
| 15 | 09280-22001 | O-RING | 2 | |
| 16 | 51410T98E00 | BARCKET COMP, FR LOWER | 1 | |
| 17 | 51622-11E00 | RACE, STEERING OUTER, LOWER | 1 | |
| 18 | 01570-08408 | BOLT | 4 | |
| 19 | 51611-11E00 | RACE, STEERING INNER, UPPER | 1 | |
| 20 | 06111-06004 | BALI, STEERING, LOWER | 25 | |
| 21 | 51612-11E10 | RACE, STEERING INNER, LOWER | 1 | |
| 22 | 06111-06004 | BALL, STEERING, UPPER | 22 | |
| 23 | 51621-28000 | RACE, STEERING OUTER, UPPER | 1 | |
| 24 | 51632-02400 | NUT, STEERING STEM, LOCK | 1 | |
| 25 | 09166-26001 | WASHER, STEERING LOCK | 1 | |
| 26 | 51643-25001 | SEAL, STEERING DUST, UPPER | 1 | |
| 27 | 51631-28000 | NUT, STEERING STEM | 1 | |
| 28 | 51103-11E01 | DAMPER ASSY, FRONT FORK R | 1 | |
| 29 | 51104-11E01 | DAMPER ASSY, FRONT FORK L | 1 | |
| 30 | 51411T98E00 | BRACKET, FR FORK LOWER | 1 | |
| 31 | 51644-11E00 | SEAL, STEERING, LOWER | 1 | |
| 32 | 59245T98E00 | CLAMP, BRAKE HOSE | 1 | |
| 33 | 01550-06125 | BOLT | 1 | |
| 34 | 51600T20EY0 | RACE SET, STRG | 1 | |

FIG. 35

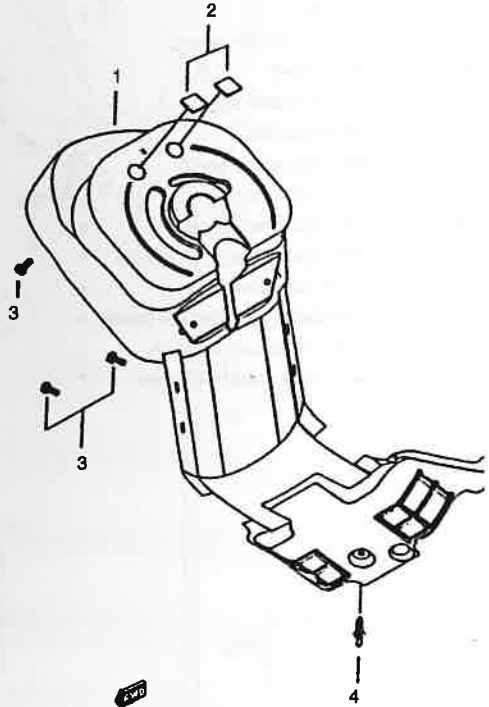
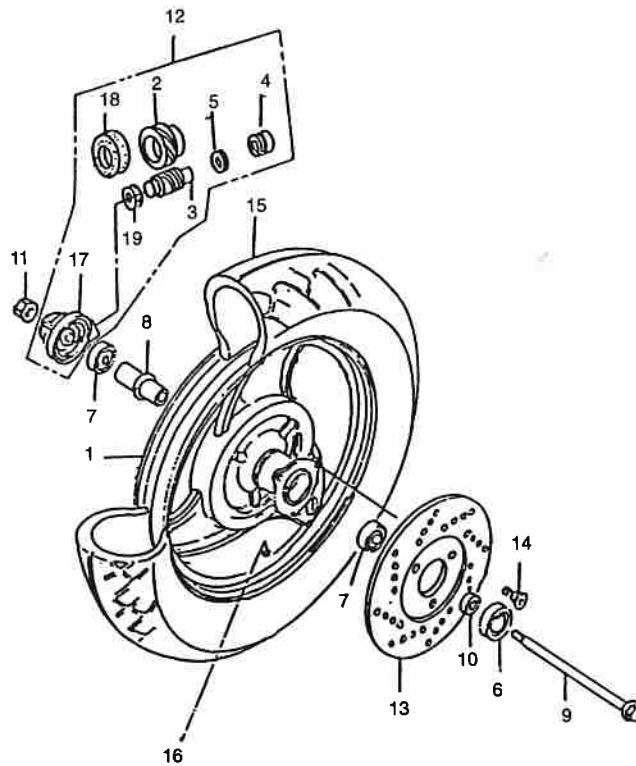


FIG. 35 FRONT FENDER

| REF. NO. | PART NO. | DESCRIPTIONS | QTY | REMARKS |
|----------|-------------|-----------------------|-----|---------|
| 1 | 53182T98E00 | FENDER, FIXED FRONT | 1 | |
| 2 | 53145T98E00 | CUSHION, FRONT FENDER | 2 | |
| 3 | 01550-06125 | BOLT, FIXED FENDER | 3 | |
| 4 | 09409-08308 | CLIP, FIXED FRONT | 1 | |

4

FIG. 36



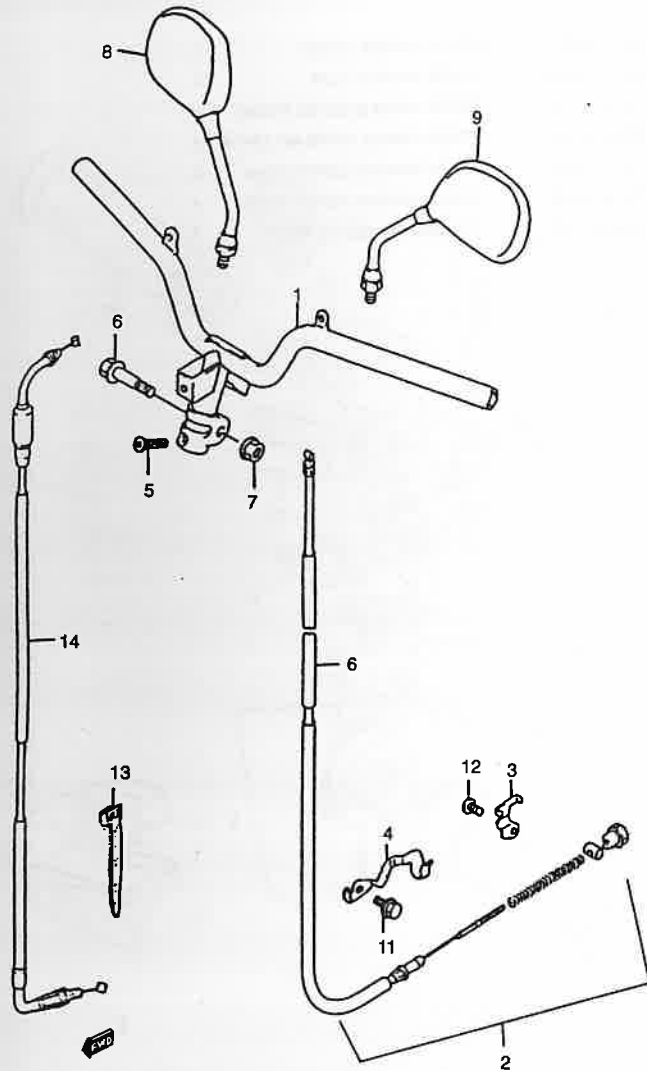
VR125

FIG. 36 FRONT WHEEL

| REF. NO. | PART NO. | DESCRIPTIONS | QTY | REMARKS |
|----------|-------------|-------------------------------|-----|---------|
| 1 | 54110E11E30 | WHEEL COMP, FRONT | 1 | |
| 2 | 54611T11E00 | GEAR, SPEEDMETER | 1 | |
| 3 | 54621T20E00 | PINION, SPEEDOMETER | 1 | |
| 4 | 54632-03A00 | BUSH, SPEEDOMETER PINION | 1 | |
| 5 | 09160-06065 | WASHER, PINION THRUST | 1 | |
| 6 | 09285-18002 | SEAL OIL | 1 | |
| 7 | 08123-62017 | BEARING | 2 | |
| 8 | 54731-11E00 | SPACER, FRONT HUB BRG | 1 | |
| 9 | 64711-46F00 | AXLE, FRONT | 1 | |
| 10 | 54751-11E10 | SPACER, FRONT AXLE, L | 1 | |
| 11 | 08319-31128 | NUT, FRONT AXLE | 1 | |
| 12 | 54600T20E00 | BOX ASSY, SPEED GEAR | 1 | |
| 13 | 59211-11E00 | DISC, FRONT BRAKE | 1 | |
| 14 | 09106-08154 | BOLT, FRONT BRAKE DISC | 3 | |
| 15 | 55110M20E00 | TIRE COMP, TUBELESS 100/90-10 | 1 | |
| 16 | 43130M41D00 | VALVE ASSY, WHEEL | 1 | |
| 17 | 54680-46F00 | BOX COMP, SPEEDOMETER GEAR | 1 | |
| 18 | 09285-43001 | SEAL, SPEEDOMETER GEAR | 1 | |
| 19 | 09289-06002 | SEAL, SPEEDOMETER PINION | 1 | |

REMARKS

FIG. 37



VR125

FIG. 37 HANDLE BAR

| REF. NO. | PART NO. | DESCRIPTIONS | QTY | REMARKS |
|----------|-------------|--------------------------|-----|---------|
| 1 | 56110T98E02 | HANDLE BAR COMP | 1 | |
| 2 | 58510M98E00 | CABLE COMP, REAR BRAKE | 1 | |
| 3 | 58575M20E00 | PLATE, REAR BRAKE CABLE | 1 | |
| 4 | 58621M20E00 | GUIDE, REAR BRAKE CABLE | 1 | |
| 5 | 09120-08016 | SCREW, HANDLE BAR | 1 | |
| 6 | 09103-10116 | BOLT, HANDLEBAR CLAMP | 1 | |
| 7 | 08319-31106 | NUT, HANDLE BAR | 1 | |
| 8 | 56500M11F11 | MIRROR ASSY, REAR VIEW R | 1 | |
| 9 | 56600M11F11 | MIRROR ASSY, REAR VIEW L | 1 | |
| 10 | 58300M98E00 | CABLE COMP, THROTTLE | 1 | |
| 11 | 09128-06025 | BOLT, CABLE GUIDE | 1 | |
| 12 | 09128-06004 | BOLT, CABLE PLATE | 1 | |
| 13 | 09407-15401 | CLAMP | 1 | |

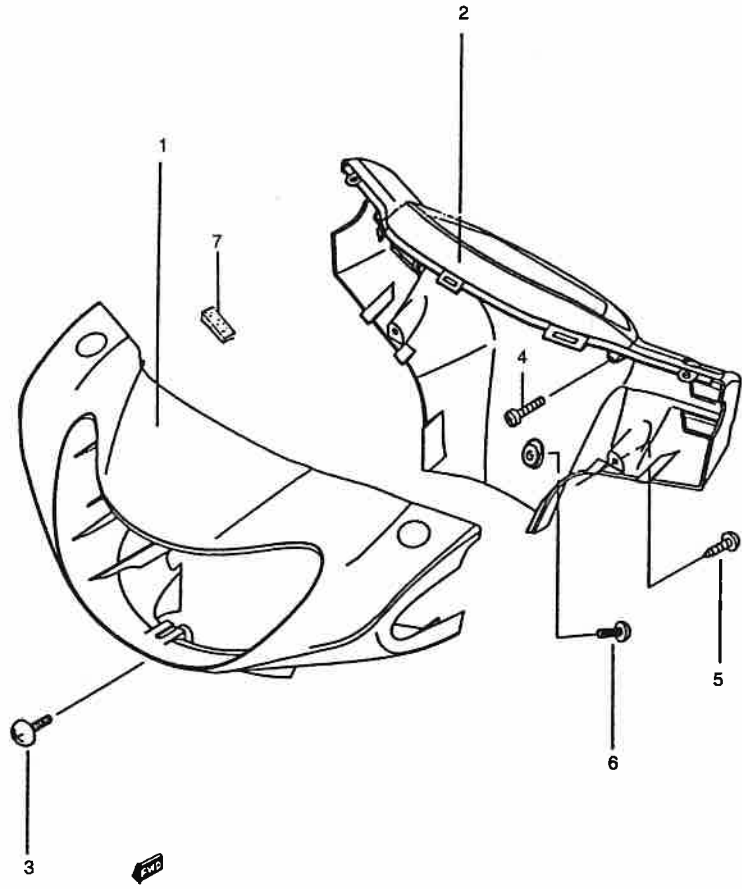
4

FIG. 38

FIG. 38 HANDLE COVER

| REF. NO. | PART NO. | DESCRIPTIONS | QTY | REMARKS |
|----------|-------------|-------------------------------|-----|---------|
| 1 | 56311T98E11 | COVER, HANDLE FRONT | 1 | |
| 2 | 56321T98E01 | COVER, HANDLE REAR | 1 | |
| 3 | 02142-05125 | SCREW, HANDLE COVER FRONT | 1 | |
| 4 | 03511-05166 | SCREW, HANDLE COVER RR, UPPER | 2 | |
| 5 | 03141-05165 | SCREW, HANDLE COVER REAR | 2 | |
| 6 | 02142-05125 | SCREW, HANDLE COVER REAR' | 1 | |
| 7 | 92203-11E00 | CUSHION, HANDLE COVER | 2 | |

4



VR125

FIG. 39

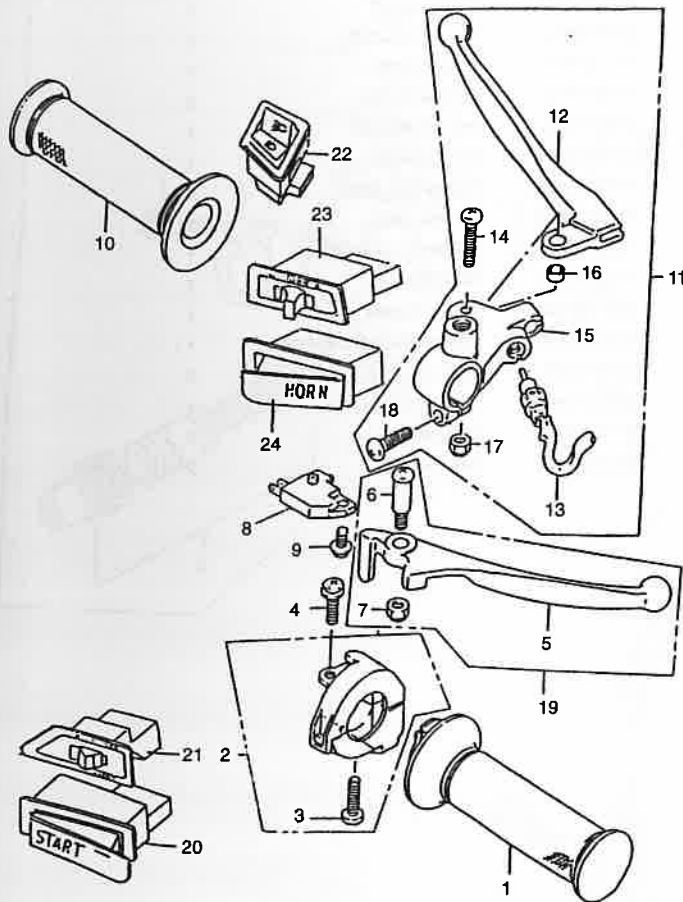
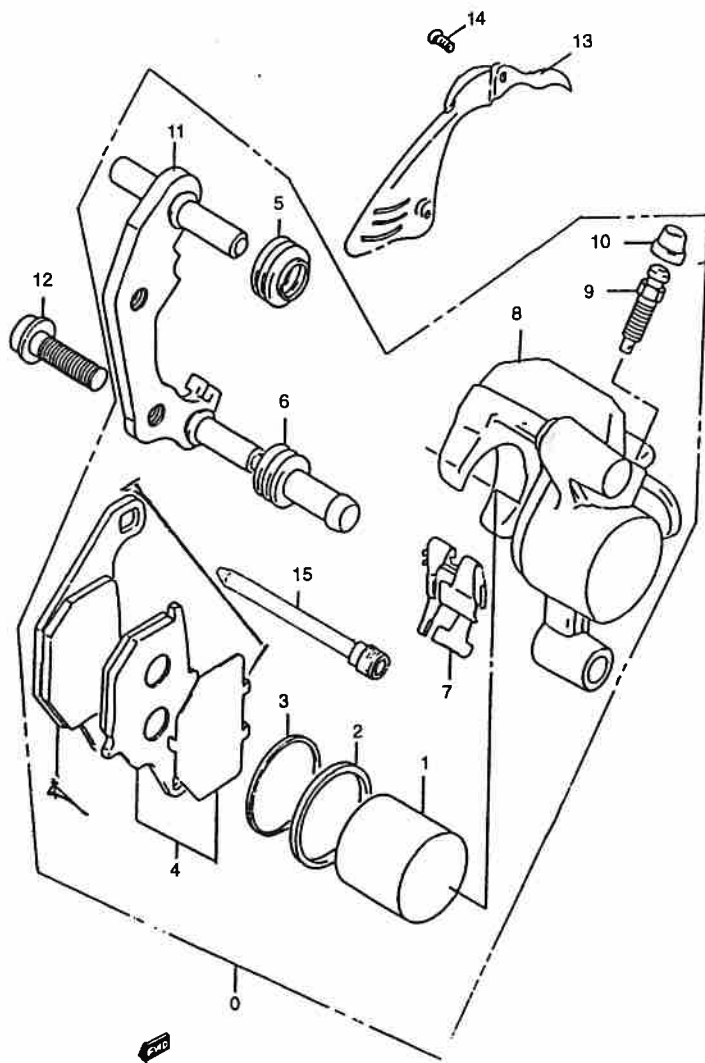


FIG. 39 HANDLE SWITCH (1)

| REF. NO. | PART NO. | DESCRIPTIONS | Q'TY | REMARKS |
|----------|-------------|----------------------------|------|---------|
| 1 | 57110T98E00 | GRIP COMP, THROTTLE | 1 | |
| 2 | 57100T20E02 | CASE ASSY, THROTTLE | 1 | |
| 3 | 02112-05208 | SCREW | 1 | |
| 4 | 09136-05040 | SCREW, THROTTLE CASE | 1 | |
| 5 | 57421M03A11 | LEVER, FRONT BRAKE | 1 | |
| 6 | 57431-03A10 | SCREW | 1 | |
| 7 | 08319-21068 | NUT | 1 | |
| 8 | 57460-17C00 | SWITCH ASSY, STOP | 1 | |
| 9 | 02112-74108 | SCREW, STOP SWITCH | 1 | |
| 10 | 57211T98E00 | GRIP, LEFT | 1 | |
| 11 | 57500T11F00 | BRAKE LEVER REAR & SWITCH | 1 | |
| 12 | 57621M02420 | LEVER, REAR BRAKE | 1 | |
| 13 | 57470-46F00 | SWITCH ASSY, STOP | 1 | |
| 14 | 02112-05255 | SCREW | 1 | |
| 15 | 57511T11F00 | HOLDER, LEVER (L) | 1 | |
| 16 | 57435-12900 | SPACER | 1 | |
| 17 | 08319-21058 | NUT | 1 | |
| 18 | 02112-06208 | SCREW | 1 | |
| 19 | 57300-46F00 | LEVER ASSY, FRONT BRAKE | 1 | |
| 20 | 37310-46F00 | SWITCH ASSY, START | 1 | |
| 21 | 37340-46F00 | SWITCH ASSY, LIGHT | 1 | |
| 22 | 37500T98E00 | SWITCH ASSY, DIMMER & PASS | 1 | |
| 23 | 37510-46F00 | SWITCH ASSY, TURN SIGNAL | 1 | |
| 24 | 37520-46F00 | SWITCH ASSY, HORN | 1 | |

4

FIG. 40



4

FIG. 40 FRONT CALIPER

| REF. NO. | PART NO. | DESCRIPTIONS | QTY | REMARKS |
|----------|-------------|--------------------------|-----|---------|
| 0 | 59300T20E01 | CALIPER ASSY | 1 | |
| 1 | 59304T20E00 | PISTON, CALIPER | 2 | |
| 2 | 59107T20E00 | SEAL, PISTON | 2 | |
| 3 | 59308T20E00 | BOOTS, PISTON | 2 | |
| 4 | 59301T20E00 | PAD SET, BRAKE | 1 | |
| 5 | 59312T20E00 | BOOTS, AXLE | 1 | |
| 6 | 59313T20E00 | INSULATOR, AXLE | 1 | |
| 7 | 59315T20E00 | SPRING, PAD | 1 | |
| 8 | 59361T20E01 | HOUSING, CALIPER | 1 | |
| 9 | 59121T20E00 | BLEEDER | 1 | |
| 10 | 59122T20E00 | CAP, BLEEDER | 1 | |
| 11 | 59350T20E00 | CARRIER COMP, CALIPER, L | 1 | |
| 12 | 01517-08355 | BOLT, CALIPER | 2 | |
| 13 | 59313T11E00 | COVER, CALIPER | 1 | |
| 14 | 02112-15108 | SCREW | 2 | |
| 15 | 59317T20E01 | PIN, PAD | 2 | |

FIG. 41

REMARKS

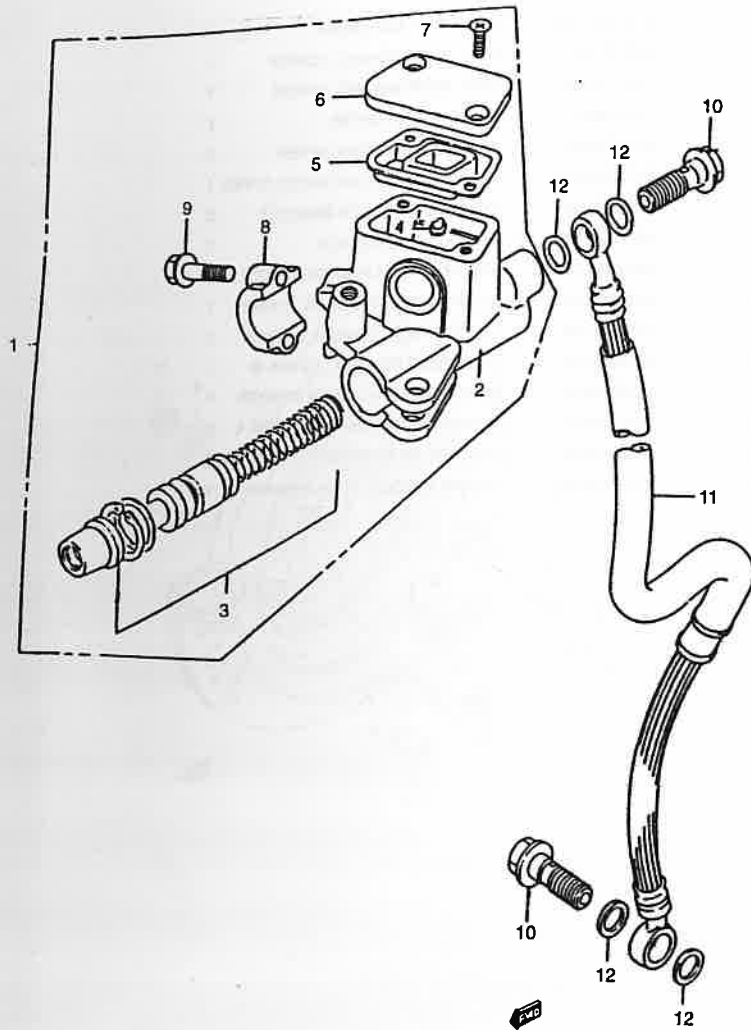
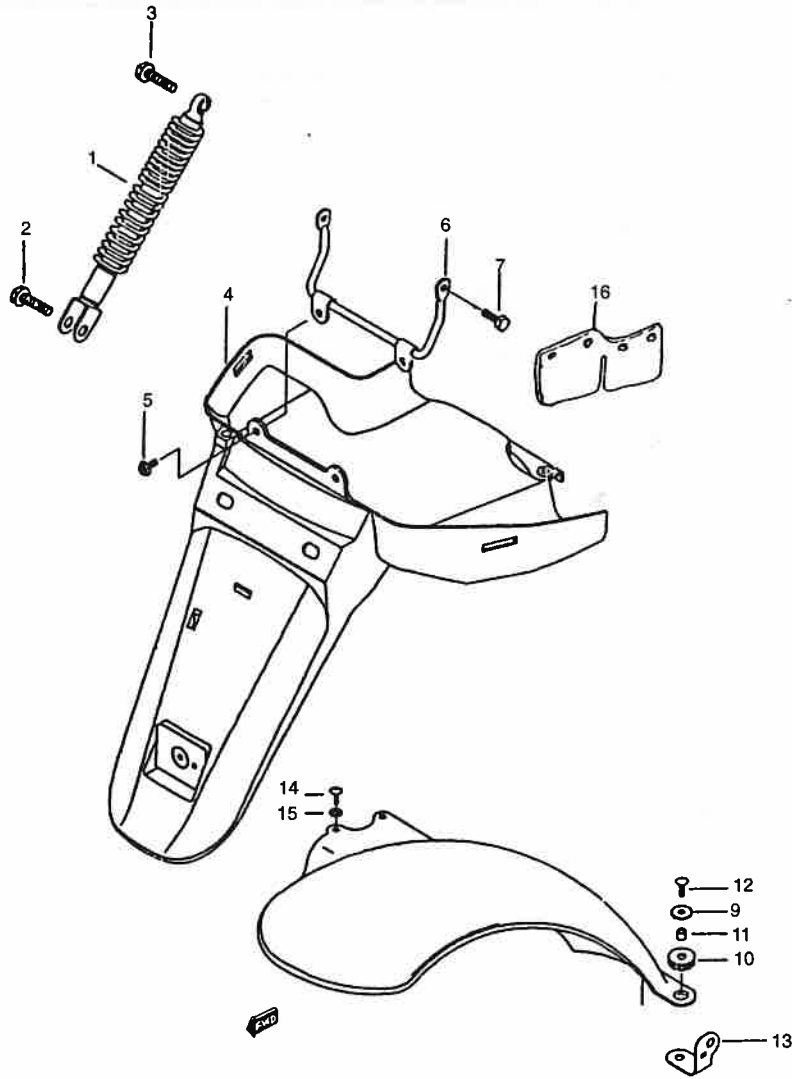


FIG. 41 FRONT MASTER CYLINDER

| REF. NO. | PART NO. | DESCRIPTIONS | Q'TY | REMARKS |
|----------|-------------|-----------------------------|------|---------|
| 1 | 59600T20E10 | CYLINDER ASSY, FRONT MASTER | 1 | |
| 2 | 59661T20E10 | BODY M/C | 1 | |
| 3 | 59610T20E10 | PISTON/CUP SET | 1 | |
| 4 | 59664-48B00 | PROTECTOR | 1 | |
| 5 | 59667-03A00 | DIAPHRAGM | 1 | |
| 6 | 59669-36C00 | CAP | 1 | |
| 7 | 02123-04129 | SCREW, CAP | 2 | |
| 8 | 59671T20E00 | HOLDER | 1 | |
| 9 | 01550-06255 | BOLT, HOLDER | 2 | |
| 10 | 09360-10039 | BOLT, BRAKE FLUID | 2 | |
| 11 | 59480T98E00 | HOSE COMP, FRONT BRAKE | 1 | |
| 12 | 59502-46F00 | WASHER, BRAKE FLUID | 4 | |

4

FIG. 42



4

FIG. 42 REAR FENDER

| REF. NO. | PART NO. | DESCRIPTIONS | Q'TY | REMARKS |
|----------|-------------|----------------------------------|------|---------|
| 1 | 62100M98E10 | ABSORBER ASSY, REAR | 1 | |
| 2 | 09117T10017 | BOLT, REAR SHK ABS, LOWER | 1 | |
| 3 | 01570-10405 | BOLT, REAR SHK ABS, UPPER | 1 | |
| 4 | 63111T98E01 | FENDER, REAR UPPER | 1 | |
| 5 | 09111T06067 | BOLT, REAR FENDER, UPPER | 2 | |
| 6 | 63130T98E02 | BRACKET COMP, REAR FENDER, UPPER | 1 | |
| 7 | 01550-06125 | BOLT, REAR FENDER BRACKET | 2 | |
| 8 | 63211-20E01 | FENDER, REAR LOWER | 1 | |
| 9 | 09160M06114 | WASHER, REAR FENDER, LOWER | 1 | |
| 10 | 09320-08028 | CUSHION, REAR FENDER, LOWER | 1 | |
| 11 | 09180-06166 | SPACER, REAR FENDER, LOWER | 1 | |
| 12 | 09128-06039 | BOLT, REAR FENDER, LOWER, R | 1 | |
| 13 | 63220-46F00 | BRACKET COMP, LOWER FENDER | 1 | |
| 14 | 03141-05165 | SCREW, REAR FENDER, LOWER, L | 2 | |
| 15 | 09169-05012 | WASHER, REAR FENDER, LOWER, L | 2 | |
| 16 | 63112T98E00 | GUARD RUBBER, REAR FENDER | 1 | |

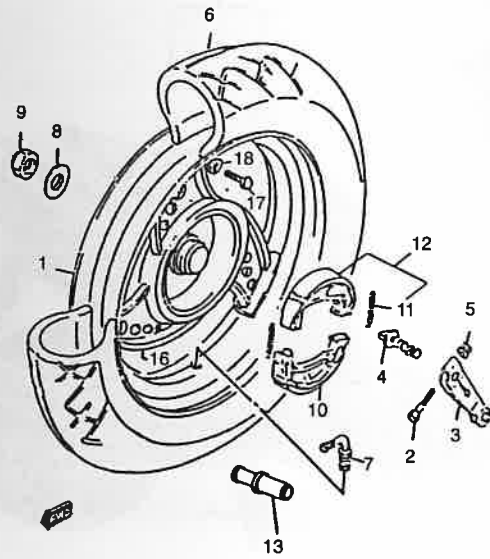


FIG. 43 REAR WHEEL

| REF. NO. | PART NO. | DESCRIPTIONS | Q'TY | REMARKS |
|----------|-------------|-------------------------------|------|---------|
| 1 | 64110E11E30 | WHEEL COMP, REAR | 1 | |
| 2 | 09100-06139 | BOLT | 1 | |
| 3 | 64451-46F00 | LEVER, REAR BRAKE CAM | 1 | |
| 4 | 64441-46F00 | CAM, BRAKE | 1 | |
| 5 | 08316-16066 | NUT | 1 | |
| 6 | 65110M20E00 | TIRE COMP, TUBELESS 100/90-10 | 1 | |
| 7 | 43130M41D00 | VALVE ASSY, WHEEL | 1 | |
| 8 | 09160-16039 | WASHER, REAR AXLE | 1 | |
| 9 | 09140T16020 | NUT REAR AXLE | 1 | |
| 10 | 64410-46F00 | SHOE COMP, BRAKE | 2 | |
| 11 | 55421-46F00 | SPRING, BRAKE SHOE | 2 | |
| 12 | 64400-46F00 | SHOE ASSY, BRAKE | 1 | |
| 13 | 64231-03A21 | PIN, REAR BRAKE ANCHOR | 1 | |

4

FIG. 44

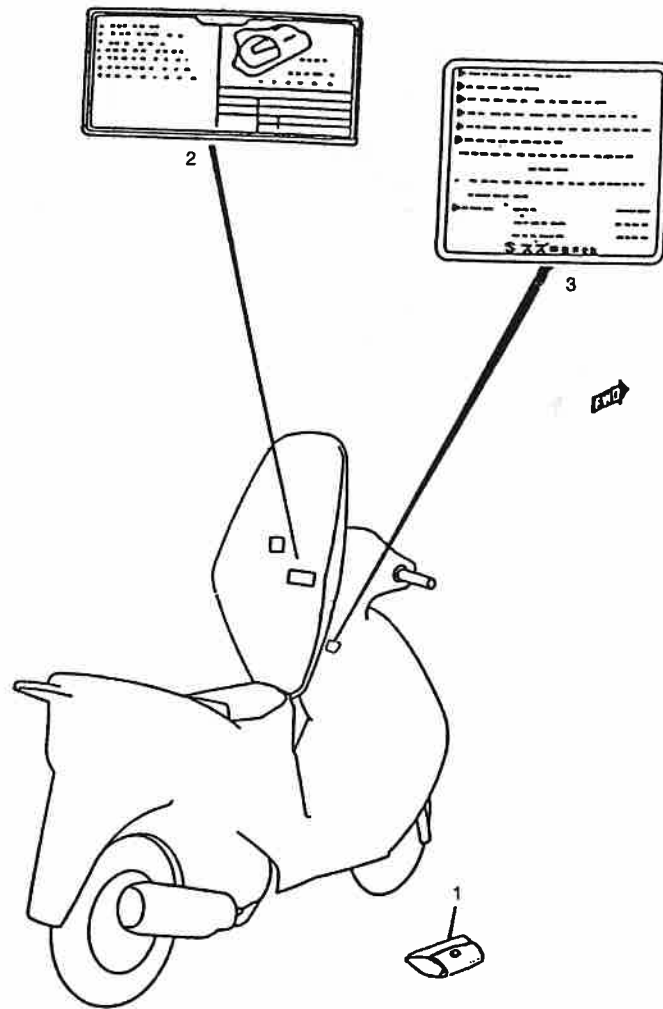


FIG. 44 TOOLS/LABEL

| REF. NO. | PART NO. | DESCRIPTIONS | QTY | REMARKS |
|----------|-------------|--------------------------|-----|---------|
| 1 | 09800T11F00 | TOOL ASSY | 1 | |
| 2 | 68332M20E10 | LABEL, TIRE AIR PRESSURE | 1 | |
| 3 | 68319M98E00 | LABEL, WARNING | 1 | |

REMARKS

FIG. 45 GRAPHIC TAPE

| REF. NO. | PART NO. | DESCRIPTIONS | QTY | REMARKS |
|----------|--------------|-----------------------------|-----|---------|
| 1 | 68350M98E99A | TAPE, SHIELD LEG FRONT | 1 | |
| 2 | 68131M98E99A | TAPE SET, FRAME COVER LH/RH | 1 | |
| 3 | 68170M98E99A | TAPE, COVER SEAT TAIL | 1 | |



VR125

4

| PART NO. | FIG. NO. | REF. NO. | PART NO. | FIG. NO. | REF. NO. | PART NO. | FIG. NO. | REF. NO. |
|-----------------|----------|----------|-------------|----------|----------|-------------|----------|----------|
| 35602T98E11 | 22 | - 16 | 42270M20E01 | 26 | - 6 | 48141T98E00 | 33 | - 9 |
| 35611T98E01 | 22 | - 11 | 42310M98E00 | 26 | - 14 | 48151T98E00 | 33 | - 8 |
| 35612T98E10 | 22 | - 12 | 43130M41D00 | 36 | - 16 | 48180T98E10 | 25 | - 20 |
| 35618T98E00 | 22 | - 14 | 43130M41D00 | 43 | - 7 | | | |
| 35631T98E01 | 22 | - 17 | 43551T98E00 | 33 | - 2 | | | |
| 50000 | | | | | | | | |
| 35632T98E10 | 22 | - 18 | 43971T98E20 | 30 | - 1 | | | |
| 35638T98E00 | 22 | - 20 | 44110T98E01 | 28 | - 1 | | | |
| 35710T98E12 | 23 | - 1 | 44190T98E01 | 28 | - 6 | | | |
| 35711T98E02 | 23 | - 3 | 44199T98E00 | 28 | - 18 | | | |
| 35712T98E10 | 23 | - 2 | 44200T98E20 | 28 | - 8 | | | |
| 35713T98E00 | 23 | - 8 | 44260T98E01 | 28 | - 9 | 51100M98E10 | 34 | - 0 |
| 35912T98E00 | 23 | - 7 | 44261-11F01 | 28 | - 10 | 51103-11E01 | 34 | - 28 |
| 35970-29C00 | 23 | - 11 | 44281M29C00 | 28 | - 2 | 51104-11E01 | 34 | - 29 |
| 36610T98E14 | 24 | - 1 | 44292-25E00 | 28 | - 34 | 51110-11E01 | 34 | - 6 |
| 36612T98E02 | 24 | - 2 | 44300-11B01 | 28 | - 15 | 51130-11E01 | 34 | - 1 |
| 36613T98E01 | 24 | - 3 | 44309T98E00 | 28 | - 25 | 51140-11E01 | 34 | - 2 |
| 37000T98E20 | 24 | - 6 | 44310T11E01 | 28 | - 29 | 51146T1E01 | 34 | - 7 |
| 37100T98E11 | 24 | - 7 | 44422T98E01 | 28 | - 4 | 51147-16510 | 34 | - 11 |
| 37110T98E10 | 24 | - 8 | 44425T98E01 | 28 | - 20 | 51148-41310 | 34 | - 12 |
| 37120T98E10 | 24 | - 9 | 44426-34F00 | 28 | - 24 | 51153-36A00 | 34 | - 3 |
| 37142T98E10 | 24 | - 10 | 44481-34F00 | 28 | - 31 | 51156-39260 | 34 | - 4 |
| 37310-46F00 | 39 | - 20 | 44481-34F00 | 28 | - 37 | 51171-11E01 | 34 | - 13 |
| 37340-46F00 | 39 | - 21 | 44481-34F00 | 28 | - 39 | 51173-11E01 | 34 | - 5 |
| 37500T98E00 | 39 | - 22 | 45100T98E11 | 29 | - 1 | 51177-36A00 | 34 | - 8 |
| 37510-46F00 | 39 | - 23 | 45141T09F00 | 25 | - 17 | 51195-11E11 | 34 | - 10 |
| 37520-46F00 | 39 | - 24 | 45142T11F01 | 29 | - 12 | 51196-36A00 | 34 | - 9 |
| 38500T16D14 | 24 | - 13 | 45211-11F00 | 29 | - 2 | 51351-39221 | 34 | - 14 |
| 38610T25E01 | 22 | - 9 | 45215T11F01 | 29 | - 4 | 51410T98E00 | 34 | - 16 |
| | | | 45280M98E00 | 29 | - 9 | 51411T98E00 | 34 | - 30 |
| | | | 45285T11F01 | 29 | - 5 | 51600T20E10 | 34 | - 34 |
| 40000 | | | | | | | | |
| | | | 45288T98E10 | 29 | - 6 | 51611-11E00 | 34 | - 19 |
| | | | 45289-46F00 | 29 | - 7 | 51612-11E01 | 34 | - 21 |
| | | | 45700T11F02 | 29 | - 10 | 51621-28000 | 34 | - 23 |
| | | | 47111T98E01 | 31 | - 3 | 51622-11E00 | 34 | - 17 |
| | | | 47121T98E01 | 31 | - 1 | 51631-28000 | 34 | - 27 |
| 41018T98E03 | 25 | - 0 | 47211T98E13 | 31 | - 4 | 51632-02400 | 34 | - 24 |
| 41100M98EA0 | 25 | - 1 | 47221T98E01 | 31 | - 2 | 51643-25001 | 34 | - 26 |
| 41171-46F00 | 25 | - 6 | 47311T98E00 | 31 | - 7 | 51644-11E00 | 34 | - 31 |
| 41175-46F00 | 25 | - 5 | 47331T98E00 | 31 | - 8 | 53145M48800 | 28 | - 36 |
| 41180T98E04-M00 | 25 | - 4 | 47371T98E00 | 33 | - 6 | 53145T98E00 | 35 | - 2 |
| 41185-41D00 | 25 | - 9 | 48111T98E01 | 32 | - 1 | 53180T98E01 | 35 | - 1 |
| 41330T98E00 | 25 | - 2 | 48112T98E10 | 32 | - 2 | 54110T11E30 | 36 | - 1 |
| 42100M98E00 | 26 | - 1 | 48113T98E10 | 32 | - 16 | 54600T20E00 | 36 | - 12 |
| 42191M20E00 | 26 | - 10 | 48121T98E02 | 33 | - 1 | 54600T11E00 | 36 | - 17 |
| 42211T20E00 | 26 | - 2 | 48125T98E00 | 33 | - 4 | 54611T11E00 | 36 | - 2 |

| PART NO. | FIG. NO. | REF. NO. | PART NO. | FIG. NO. | REF. NO. | PART NO. | FIG. NO. | REF. NO. |
|--------------|----------|----------|--------------|----------|----------|-------------|----------|----------|
| 54621T20E00 | 36 | - 3 | 59480T98E00 | 41 | - 11 | 92130-46F00 | 32 | - 8 |
| 54632-03A00 | 36 | - 4 | 59502-46F00 | 41 | - 12 | 92203-11E00 | 38 | - 7 |
| 54680-46F00 | 36 | - 17 | 59600T20E10 | 41 | - 1 | 92204-11E00 | 32 | - 19 |
| 54731-11E00 | 36 | - 8 | 59610T20E10 | 41 | - 3 | 92211T11F02 | 25 | - 10 |
| 54751-11E10 | 36 | - 10 | 59661T20E10 | 41 | - 2 | 92221-11F00 | 25 | - 14 |
| 60000 | | | | | | | | |
| 55110M20E00 | 36 | - 15 | 59964-48B00 | 41 | - 4 | 92700-46F00 | 29 | - 8 |
| 55421-46F00 | 43 | - 11 | 59667-03A00 | 41 | - 5 | 95721T11F00 | 25 | - 12 |
| 56110T98E02 | 37 | - 1 | 59669-36C00 | 41 | - 6 | 95731T11F00 | 25 | - 11 |
| 56311T98E11 | 38 | - 1 | 59671T20E00 | 41 | - 08 | | | |
| 59313T11E00 | 40 | - 13 | | | | | | |
| 56321T98E01 | 38 | - 2 | | | | | | |
| 56500M11F11 | 37 | - 8 | | | | | | |
| 56600M11F11 | 37 | - 9 | | | | | | |
| 57100T20E02 | 39 | - 2 | | | | | | |
| 57110T98E00 | 39 | - 1 | | | | | | |
| 00000 | | | | | | | | |
| 57211T98E00 | 39 | - 10 | 62100M98E01 | 42 | - 1 | 01107-08256 | 7 | - 20 |
| 57300-46F00 | 39 | - 19 | 63111T98E01 | 42 | - 4 | 01421-06165 | 27 | - 19 |
| 57421M03A11 | 39 | - 5 | 63112T98E00 | 42 | - 16 | 01421-06255 | 2 | - 9 |
| 57431-03A10 | 39 | - 6 | 63130T98E02 | 42 | - 6 | 01421-06255 | 3 | - 5 |
| 57435-12900 | 39 | - 16 | 63211-20E01 | 42 | - 8 | 01421-08209 | 12 | - 10 |
| 57460-17C00 | 39 | - 8 | 63220-46F00 | 42 | - 13 | 01500-06205 | 9 | - 8 |
| 57470-46F00 | 39 | - 13 | 64110T11E30 | 43 | - 1 | 01517-08355 | 40 | - 12 |
| 57500T11F00 | 39 | - 11 | 64231-03A21 | 43 | - 13 | 01550-06125 | 5 | - 18 |
| 57511T11F00 | 39 | - 15 | 64400-46F00 | 43 | - 12 | 01550-06125 | 25 | - 23 |
| 57621M2420 | 39 | - 12 | 64410-46F00 | 43 | - 10 | 01550-06125 | 28 | - 7 |
| 58300M98E00 | 37 | - 10 | 64441-46F00 | 43 | - 4 | 01550-06125 | 34 | - 33 |
| 58510M98E00 | 37 | - 2 | 64451-46F00 | 43 | - 3 | 01550-06125 | 35 | - 3 |
| 58575M20E00 | 37 | - 3 | 64711-46F00 | 36 | - 9 | 01550-06125 | 42 | - 7 |
| 58621M20E00 | 37 | - 4 | 65100M20E00 | 43 | - 6 | 01550-06165 | 13 | - 15 |
| 59107T20E00 | 40 | - 2 | 68131M98E99A | 45 | - 2 | 01550-06165 | 20 | - 8 |
| 59121T20E00 | 40 | - 9 | 68170M98E99A | 45 | - 3 | 01550-06165 | 28 | - 16 |
| 59122T20E00 | 40 | - 10 | 68319M98E00 | 44 | - 3 | 01550-06205 | 2 | - 15 |
| 59211-11E00 | 36 | - 13 | 68332M20E10 | 44 | - 2 | 01550-06205 | 25 | - 16 |
| 59245T98E00 | 34 | - 32 | 68350M98E99A | 45 | - 1 | 01550-06255 | 13 | - 16 |
| 59300T20E01 | 40 | - 0 | | | | 01550-06255 | 41 | - 9 |
| 59301T20E00 | 40 | - 4 | | | | 01550-08125 | 4 | - 13 |
| 59304T20E00 | 40 | - 1 | | | | 01550-08125 | 5 | - 16 |
| 59308T20E00 | 40 | - 3 | | | | 01550-08205 | 12 | - 9 |
| 59312T20E00 | 40 | - 5 | | | | 01550-08205 | 30 | - 2 |
| 59313T11E00 | 40 | - 13 | | | | 01551-10165 | 4 | - 11 |
| 90000 | | | | | | | | |
| 59313T20E00 | 40 | - 6 | 92110T98E40 | 32 | - 5 | 01560-06125 | 34 | - 18 |
| 59315T20E00 | 40 | - 7 | 92111T98E31 | 32 | - 6 | 01570-08408 | 34 | - 18 |
| 59317T20E01 | 40 | - 15 | 92112T98E00 | 32 | - 7 | 01570-10405 | 42 | - 3 |
| 59350T20E00 | 40 | - 11 | 92113T98E00 | 32 | - 13 | 02112-04107 | 10 | - 23 |
| 59361T20E01 | 40 | - 8 | 92114T98E01 | 32 | - 14 | 02112-04107 | 10 | - 34 |

5

5

| PART NO. | FIG. NO. | REF. NO. | PART NO. | FIG. NO. | REF. NO. | PART NO. | FIG. NO. | REF. NO. |
|-------------|----------|----------|-------------|----------|----------|-------------|----------|----------|
| 02112-04127 | 10 | - 37 | 03141-04125 | 32 | - 17 | 08113-62010 | 16 | - 9 |
| 02112-05086 | 17 | - 9 | 03141-04165 | 31 | - 11 | 08113-62030 | 16 | - 10 |
| 02112-05105 | 18 | - 3 | 03141-04165 | 32 | - 4 | 08123-62017 | 36 | - 7 |
| 02112-05208 | 39 | - 3 | 03141-05125 | 22 | - 22 | 08221-32385 | 7 | - 10 |
| 02112-05255 | 18 | - 4 | 03141-05165 | 31 | - 13 | 08310-00126 | 4 | - 16 |
| 02112-05255 | 39 | - 14 | 03141-05165 | 31 | - 14 | 08310-11056 | 23 | - 14 |
| 02112-06126 | 27 | - 7 | 03141-05165 | 32 | - 9 | 08310-22108 | 26 | - 12 |
| 02112-06166 | 27 | - 8 | 03141-05165 | 32 | - 10 | 08316-10065 | 2 | - 10 |
| 02112-06208 | 39 | - 18 | 03141-05165 | 32 | - 11 | 08316-10065 | 3 | - 6 |
| 02112-06255 | 5 | - 3 | 03141-05165 | 32 | - 15 | 08316-10065 | 27 | - 20 |
| 02112-06355 | 5 | - 33 | 03141-05165 | 33 | - 7 | 08316-10065 | 29 | - 3 |
| 02112-06355 | 17 | - 10 | 03141-05165 | 28 | - 11 | 08316-10105 | 15 | - 30 |
| 02112-06405 | 5 | - 4 | 03141-05165 | 33 | - 12 | 08316-10125 | 18 | - 5 |
| 02112-06405 | 5 | - 13 | 03141-05165 | 38 | - 5 | 08316-16066 | 43 | - 5 |
| 02112-06455 | 5 | - 24 | 03141-05165 | 42 | - 14 | 08316-20065 | 24 | - 11 |
| 02112-06505 | 4 | - 5 | 03141-05205 | 11 | - 5 | 08319-21052 | 22 | - 8 |
| 02112-06805 | 5 | - 36 | 03141-05255 | 33 | - 5 | 08319-21058 | 39 | - 17 |
| 02112-06855 | 4 | - 6 | 03211-04126 | 22 | - 15 | 08319-21068 | 39 | - 7 |
| 02112-14087 | 10 | - 27 | 03211-04126 | 22 | - 21 | 08319-31086 | 26 | - 4 |
| 02112-15108 | 40 | - 14 | 03211-04126 | 23 | - 4 | 08319-31106 | 37 | - 7 |
| 02112-16125 | 11 | - 17 | 03511-05166 | 38 | - 4 | 08319-31128 | 25 | - 8 |
| 02112-16165 | 14 | - 11 | 03541-04125 | 23 | - 16 | 08319-31128 | 36 | - 11 |
| 02112-16205 | 14 | - 13 | 03541-04125 | 25 | - 15 | 08321-21056 | 23 | - 13 |
| 02112-16205 | 14 | - 14 | 03541-04125 | 31 | - 5 | 08322-01063 | 5 | - 35 |
| 02112-16205 | 20 | - 12 | 03541-05125 | 23 | - 9 | 08322-21086 | 26 | - 3 |
| 02112-16255 | 14 | - 12 | 03541-05125 | 23 | - 10 | 08331-31149 | 7 | - 17 |
| 02112-74108 | 39 | - 9 | 03541-05125 | 31 | - 10 | 08331-31229 | 16 | - 14 |
| 02112-75085 | 5 | - 8 | 03541-06205 | 14 | - 15 | 08331-41479 | 16 | - 3 |
| 02112-75108 | 24 | - 18 | 03541-15165 | 21 | - 4 | 08332-11056 | 29 | - 13 |
| 02112-76126 | 29 | - 11 | 03141-15165 | 25 | - 2 | 08341-31039 | 18 | - 6 |
| 02112-76165 | 28 | - 14 | 04211-11169 | 2 | - 11 | 08361-35066 | 20 | - 3 |
| 02122-06165 | 16 | - 18 | 04211-11169 | 3 | - 7 | 08361-35085 | 12 | - 11 |
| 02122-06255 | 13 | - 2 | 04211-11169 | 5 | - 5 | 09100-06139 | 43 | - 2 |
| 02123-04129 | 41 | - 7 | 04211-11169 | 5 | - 14 | 09100-12068 | 25 | - 7 |
| 02142-05125 | 25 | - 3 | 04211-11169 | 5 | - 25 | 09103-06102 | 2 | - 4 |
| 02142-05125 | 38 | - 3 | 04211-13189 | 4 | - 7 | 09103-06247 | 9 | - 4 |
| 02142-05125 | 38 | - 6 | 04221-04069 | 6 | - 19 | 09103-08342 | 26 | - 7 |
| 02142-05205 | 21 | - 11 | 06111-06004 | 34 | - 20 | 09103-10116 | 37 | - 6 |
| 02142-06125 | 6 | - 10 | 06111-06004 | 34 | - 22 | 09103-12046 | 4 | - 15 |
| 02142-06125 | 6 | - 17 | 07120-05205 | 1 | - 8 | 09106-06075 | 4 | - 25 |
| 02142-06125 | 32 | - 3 | 07120-06255 | 5 | - 12 | 09106-07015 | 1 | - 3 |
| 02142-06165 | 32 | - 12 | 07130-06165 | 7 | - 12 | 09106-07017 | 1 | - 5 |
| 02142-06355 | 5 | - 26 | 08110-62030 | 16 | - 13 | 09106-08154 | 36 | - 14 |
| 02162-16305 | 11 | - 9 | 08110-62040 | 16 | - 4 | 09108-08163 | 3 | - 3 |
| 03111-04125 | 31 | - 15 | 08113-62010 | 16 | - 5 | 09108-08222 | 3 | - 4 |

| PART NO. | FIG. NO. | REF. NO. | PART NO. | FIG. NO. | REF. NO. | PART NO. | FIG. NO. | REF. NO. |
|-------------|----------|----------|-----------------|----------|----------|-----------------|----------|----------|
| 09111-06032 | 8 | - 5 | 09168-10007 | 4 | - 21 | 09280-00024 | 5 | - 15 |
| 09111-10014 | 26 | - 13 | 09168M06001 | 11 | - 19 | 09280-04004 | 4 | - 24 |
| 09111T06067 | 42 | - 5 | 09168T10002 | 4 | - 12 | 09280-13004 | 13 | - 12 |
| 09116-06144 | 33 | - 3 | 09169-05012 | 42 | - 15 | 09280-17003 | 1 | - 10 |
| 09117T10017 | 42 | - 2 | 09180-06011 | 14 | - 4 | 09280-22001 | 34 | - 15 |
| 09118-08147 | 12 | - 4 | 09180-06073 | 12 | - 6 | 09280-24003 | 17 | - 8 |
| 09120-08016 | 37 | - 5 | 09180-06114 | 25 | - 18 | 09280-32006 | 2 | - 14 |
| 09125-06005 | 5 | - 22 | 09180-06166 | 42 | - 11 | 09280-54001 | 13 | - 13 |
| 09128-06004 | 20 | - 2 | 09180-13009 | 7 | - 3 | 09283-20054 | 16 | - 2 |
| 09128-06004 | 37 | - 12 | 09180T05042 | 15 | - 15 | 09283-20055 | 6 | - 12 |
| 09128-06025 | 37 | - 11 | 09180T06195 | 17 | - 11 | 09283-27014 | 16 | - 15 |
| 09128-06039 | 42 | - 12 | 09181-32016 | 6 | - 25 | 09283T25095 | 6 | - 13 |
| 09128-06030 | 24 | - 12 | 09181-32017 | 6 | - 25 | 09284-34002 | 15 | - 20 |
| 09136-05040 | 39 | - 4 | 09181-32018 | 6 | - 25 | 09285-18002 | 36 | - 6 |
| 09136-05051 | 22 | - 6 | 09181-32019 | 6 | - 25 | 09285-43001 | 36 | - 18 |
| 09140-22008 | 6 | - 20 | 09181-32020 | 6 | - 25 | 09289-06002 | 36 | - 19 |
| 09140T16020 | 43 | - 9 | 09181-32021 | 6 | - 25 | 09320-08028 | 42 | - 10 |
| 09140T28004 | 15 | - 28 | 09181-32022 | 6 | - 25 | 09320-09016 | 14 | - 5 |
| 09148-04019 | 32 | - 18 | 09181-32023 | 6 | - 25 | 09321-08066 | 12 | - 7 |
| 09148-05020 | 31 | - 12 | 09181-32024 | 6 | - 25 | 09321M10029 | 26 | - 8 |
| 09148-05020 | 33 | - 10 | 09181-32025 | 6 | - 25 | 09343-07150 | 4 | - 9 |
| 09148-05038 | 23 | - 15 | 09181-32026 | 6 | - 25 | 09352T50104-300 | 28 | - 28 |
| 09148-05038 | 31 | - 6 | 09181-32027 | 6 | - 25 | 09352T50104-350 | 28 | - 22 |
| 09148-05038 | 31 | - 9 | 09181-32028 | 6 | - 25 | 09352T50104-420 | 28 | - 12 |
| 09159-06057 | 25 | - 19 | 09181-32029 | 6 | - 25 | 09359T35804-400 | 27 | - 13 |
| 09160-05016 | 23 | - 12 | 09181-32030 | 6 | - 25 | 09360-08011 | 4 | - 18 |
| 09160-06042 | 25 | - 22 | 09181-32031 | 6 | - 25 | 09360-10032 | 4 | - 20 |
| 09160-06065 | 36 | - 5 | 09181-32032 | 6 | - 25 | 09360-10039 | 41 | - 10 |
| 09140-14001 | 7 | - 25 | 09181-32033 | 6 | - 25 | 09364-08005 | 4 | - 4 |
| 09160-14050 | 7 | - 21 | 09206-08001 | 2 | - 5 | 09367-06002 | 28 | - 23 |
| 09160-16039 | 43 | - 8 | 09206-13016 | 7 | - 2 | 09367T06003 | 28 | - 11 |
| 09160M06114 | 42 | - 9 | 09247-14023 | 4 | - 23 | 09380-32002 | 7 | - 11 |
| 09161-11008 | 1 | - 4 | 09250-30003 | 14 | - 6 | 09381-10004 | 2 | - 3 |
| 09146-08020 | 26 | - 9 | 09250-30003 | 25 | - 21 | 09381-14001 | 6 | - 24 |
| 09146-12020 | 7 | - 27 | 09251T04001 | 10 | - 41 | 09390-32001 | 8 | - 7 |
| 09166-26001 | 34 | - 25 | 09251T06001 | 28 | - 32 | 09401-05402 | 10 | - 30 |
| 09168T06001 | 11 | - 19 | 09251T06001 | 28 | - 38 | 09401-08401 | 27 | - 17 |
| 09168-06004 | 5 | - 20 | 09261-05005 | 8 | - 6 | 09401-11403 | 4 | - 10 |
| 09168-06004 | 9 | - 5 | 09261-10003 | 7 | - 6 | 09401-11403 | 28 | - 17 |
| 09168-06023 | 5 | - 38 | 09262-15029 | 8 | - 2 | 09401-15301 | 11 | - 16 |
| 09168-06052 | 12 | - 5 | 09262-22027 | 16 | - 16 | 09401T07301 | 10 | - 42 |
| 09168-08008 | 4 | - 19 | 09262-25047 | 6 | - 11 | 09401T08301 | 28 | - 33 |
| 09168-08008 | 5 | - 17 | 09262-32006 | 6 | - 8 | 09401T08401 | 27 | - 17 |
| 09168-08015 | 4 | - 14 | 09263-28027-0B0 | 6 | - 4 | 09401T09403 | 28 | - 19 |
| 09168-08021 | 2 | - 8 | 09263-32008 | 7 | - 9 | 09401T09403 | 28 | - 21 |

F. NO.
 15
 24
 12
 10
 15
 8
 14
 13
 2
 12
 15
 13
 20
 6
 18
 19
 10
 5
 7
 8
 9
 28
 22
 12
 13
 18
 20
 10
 4
 23
 11
 11
 3
 24
 7
 30
 17
 10
 17
 16
 42
 33
 17
 19
 21

| PART NO. | FIG. NO. | REF. NO. | PART NO. | FIG. NO. | REF. NO. | PART NO. | FIG. NO. | REF. NO. |
|-------------|----------|----------|----------|----------|----------|----------|----------|----------|
| 09401T09403 | 28 | - 26 | | | | | | |
| 09401T15407 | 11 | - 20 | | | | | | |
| 09401T16401 | 27 | - 16 | | | | | | |
| 09401T22401 | 27 | - 15 | | | | | | |
| 09402-46208 | 2 | - 16 | | | | | | |
| 09402-48208 | 11 | - 8 | | | | | | |
| 09402-58208 | 28 | - 5 | | | | | | |
| 09402-59208 | 11 | - 6 | | | | | | |
| 09402-72208 | 28 | - 3 | | | | | | |
| 09404-06431 | 2 | - 20 | | | | | | |
| 09404-06431 | 5 | - 32 | | | | | | |
| 09404-06431 | 5 | - 37 | | | | | | |
| 09404-06431 | 10 | - 40 | | | | | | |
| 09407-15401 | 24 | - 4 | | | | | | |
| 09407-15401 | 27 | - 22 | | | | | | |
| 09407-15401 | 37 | - 13 | | | | | | |
| 09407-30403 | 24 | - 5 | | | | | | |
| 09407-20406 | 24 | - 15 | | | | | | |
| 09407-414A0 | 24 | - 20 | | | | | | |
| 09409-08308 | 35 | - 4 | | | | | | |
| 09409T06002 | 33 | - 14 | | | | | | |
| 09440-03004 | 7 | - 7 | | | | | | |
| 09440-13020 | 28 | - 27 | | | | | | |
| 09440-13020 | 28 | - 35 | | | | | | |
| 09440-18002 | 13 | - 14 | | | | | | |
| 09443M14022 | 26 | - 11 | | | | | | |
| 09443M17023 | 26 | - 5 | | | | | | |
| 09471-12028 | 21 | - 9 | | | | | | |
| 09471-12077 | 21 | - 7 | | | | | | |
| 09471-12077 | 21 | - 8 | | | | | | |
| 09471-12115 | 22 | - 13 | | | | | | |
| 09471-12115 | 22 | - 19 | | | | | | |
| 09471-12115 | 23 | - 6 | | | | | | |
| 09471-12128 | 23 | - 5 | | | | | | |
| 09471T12095 | 22 | - 5 | | | | | | |
| 09482T00455 | 2 | - 12 | | | | | | |
| 09491-21031 | 10 | - 11 | | | | | | |
| 09492-38004 | 10 | - 13 | | | | | | |
| 09800T11F00 | 44 | - 1 | | | | | | |

| PART NO. | FIG. NO. | REF. NO. | PART NO. | FIG. NO. | REF. NO. | PART NO. | FIG. NO. | REF. NO. |
|-------------|----------|----------|----------|----------|----------|----------|----------|----------|
| for key p/n | | | | | | | | |
| 37142T98810 | | | | | | | | |

5