

SUZUKI

PARTS CATALOGUE

GSX800M3

(EM11A/EM21A)

GSX800RQ
GSX800UQ

E21



2022-12

1ST EDITION

PREFACE

When it becomes necessary to replace parts on SUZUKI MOTORCYCLES, always use SUZUKI GENUINE PARTS which have passed a strict inspection which guarantees quality and performance.

This parts catalogue covers the list of all service parts for SUZUKI GSX800RQM3, GSX800UQM3.

INSTRUCTIONS FOR QUOTING THE CATALOGUE

1. DIMENSIONS

Dimensions of the parts in this catalogue are indicated in unit millimeters.

2. ABBREVIATIONS

Abbreviations used in this catalogue are as follows:

AR	: As required	NT	: Number of teeth
ASSY	: Assembly	OPT	: Optional
E. NO.	: Engine number	OS	: Over size
F. NO.	: Frame number	STD	: Standard
D	: Diameter of material	T	: Thickness
ID	: Inside diameter	US	: Under size
OD	: Outside diameter	W	: Width
L	: Length		
LH	: Left hand side		
RH	: Right hand side		
~100045	: Up to F. NO. A100-100045		
100046~	: From F. NO. A100-100046		
12 x 34 x 5.6.....	Figures in the description column		
	show the dimensions of parts.		
ID OD T	(or W, L)		

→12345-56781 (Parts No.) : indicates that the parts number was changed to 12345-56781 and the new parts are interchangeable with the former ones but the former ones are not interchangeable with new ones.

←12345-56781 (Parts No.) : indicates that the former and new parts are interchangeable with each other and both are usable.

3. INNER PARTS OF ASSEMBLY

Part name with a dot (.) in front as shown in the description column indicates the component of the assembly also available individually.

4. MODIFICATION NOTICE

A parts bulletin will be sent to you on all occasions when changes in parts occur, including interchangeable modifications between new parts and old ones.

5. NOTE

5-1. There are some different parts from those of production models among spare parts for the administrative reasons and common use of them with other models.

5-2. In respect of rubber hoses and vinyl tubes, please be sure to use them by cutting off according to the length mentioned on parts catalogue or what is actually required on the vehicle.

5-3. Note that the drawings on the illustration page are for ready reference of spare parts number, not to be used as an assembly manual.
When assembling, use "SUZUKI SERVICE MANUAL".

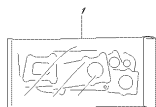
6. SPECIFICATION CODE

This catalogue contains the parts for the model designed for the following spec. ;
spec. code : E21.

7. SERIAL FRAME NUMBER

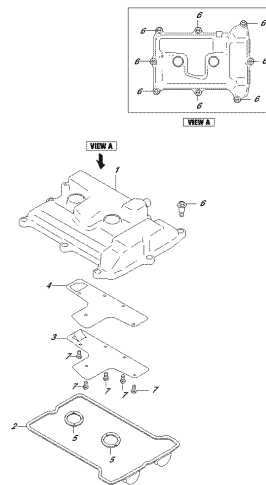
GSX800RQM3 : JS1EM11AZP710001 ~
GSX800UQM3 : JS1EM21AZP710001 ~

FIG.101A



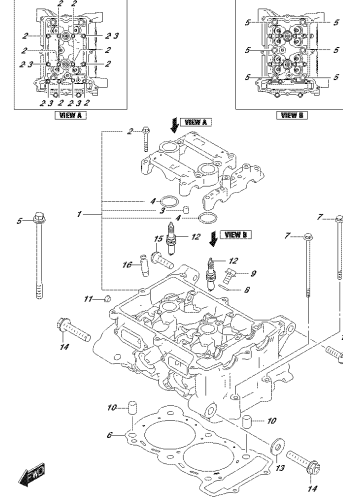
ISKHBRZAL_EPL_101A
CIVAKHCHES

FIG.102A



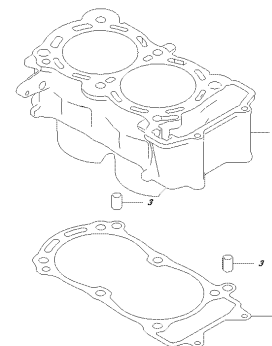
ISKHBRZAL_EPL_102A
CIVAKHCHES

FIG.103A



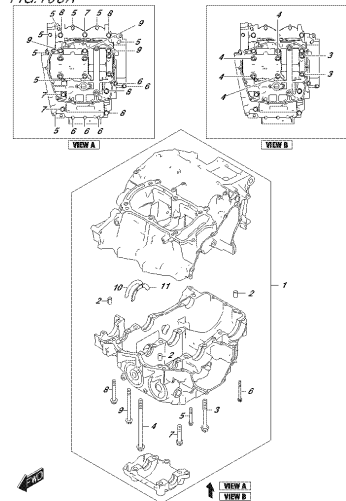
ISKHBRZAL_EPL_103A
CIVAKHCHES

FIG.107A



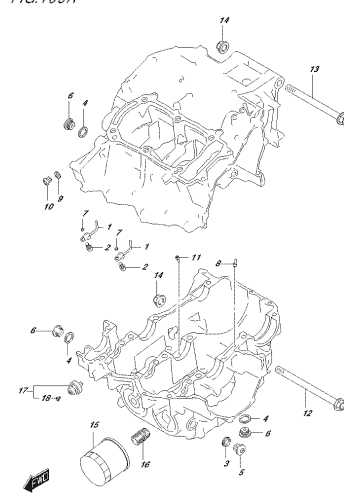
ISKHBRZAL_EPL_107A
CIVAKHCHES

FIG.108A



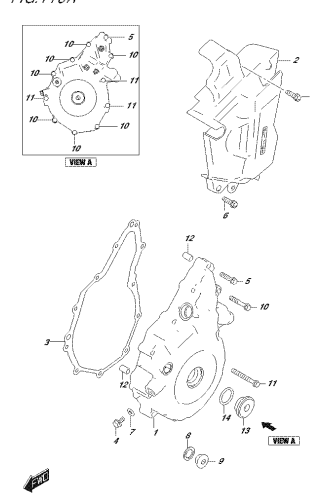
ISKHBRZAL_EPL_108A
CIVAKHCHES

FIG.109A



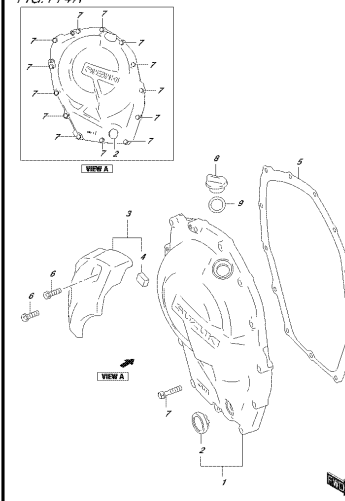
ISKHBRZAL_EPL_109A
CIVAKHCHES

FIG.113A



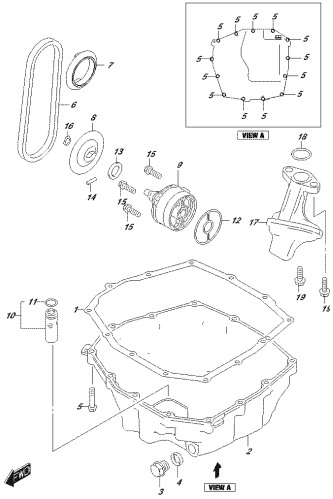
ISKHBRZAL_EPL_113A
CIVAKHCHES

FIG.114A



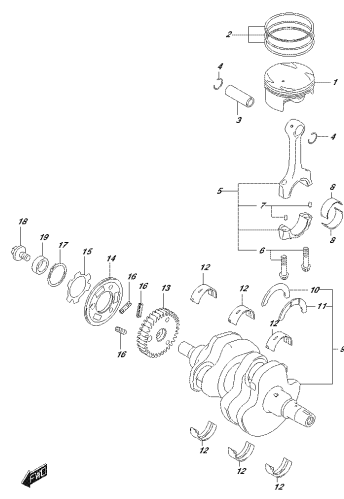
ISKHBRZAL_EPL_114A
CIVAKHCHES

FIG. 116A



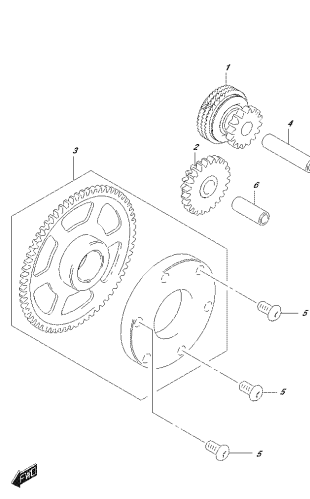
OSKORRANG_E01_116A
 OEL-PUMPE PLUMP

FIG. 120A



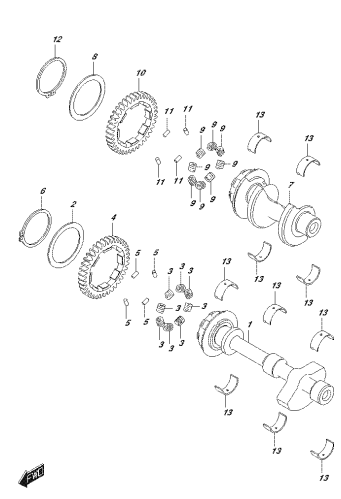
OSKORRANG_E01_120A
 OERKREISCHWIFT

FIG. 122A



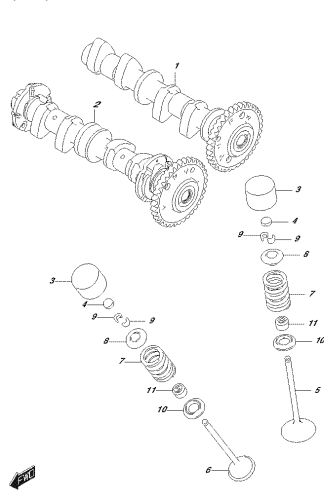
OSKORRANG_E01_122A
 OERKREISCHWIFT

FIG. 124A



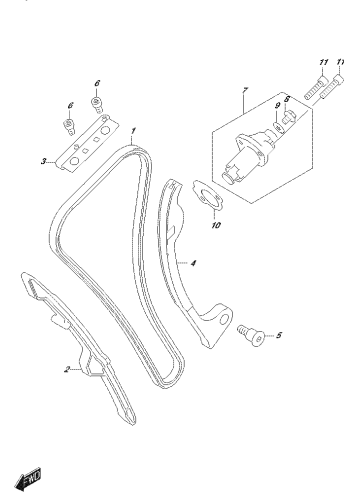
OSKORRANG_E01_124A
 OERKREISCHWIFT

FIG. 126A



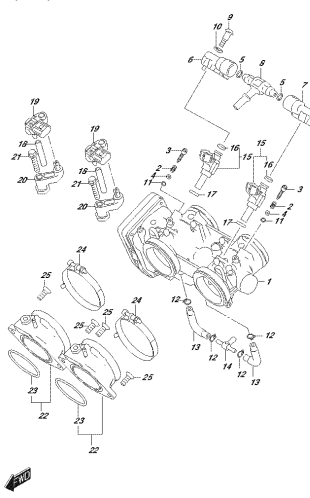
OSKORRANG_E01_126A
 OERKREISCHWIFT

FIG. 127A



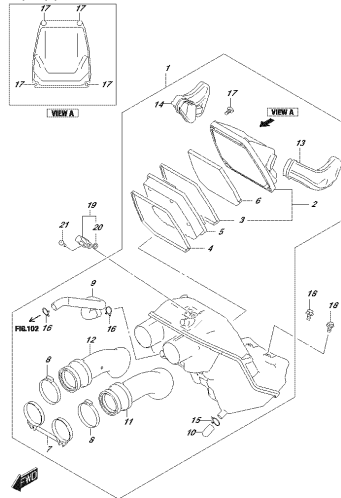
OSKORRANG_E01_127A
 OERKREISCHWIFT

FIG. 140A



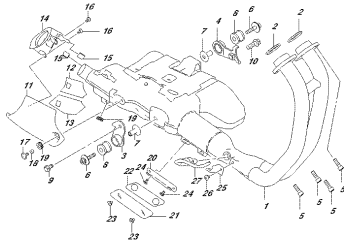
OSKORRANG_E01_140A
 OERKREISCHWIFT

FIG. 155A



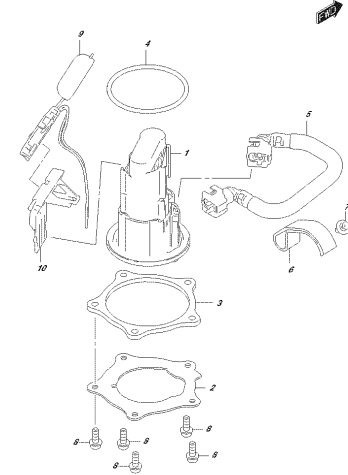
OSKORRANG_E01_155A
 OERKREISCHWIFT

FIG. 163A



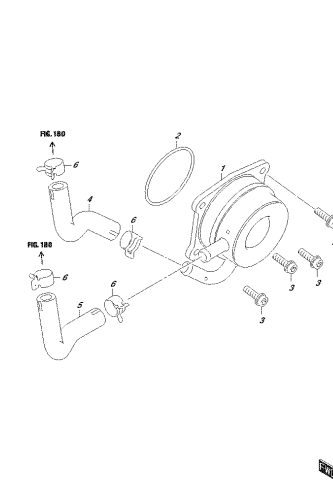
ISKHORRAM_E31_163A
FUEL PUMP

FIG. 172A



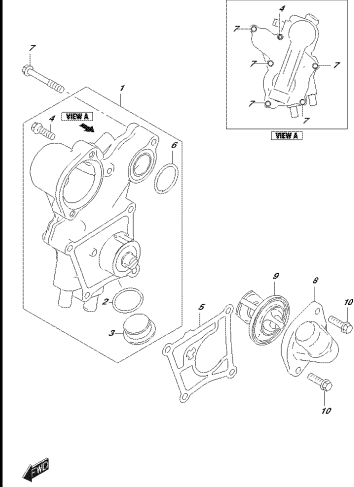
ISKHORRAM_E31_172A
FUEL PUMP

FIG. 178A



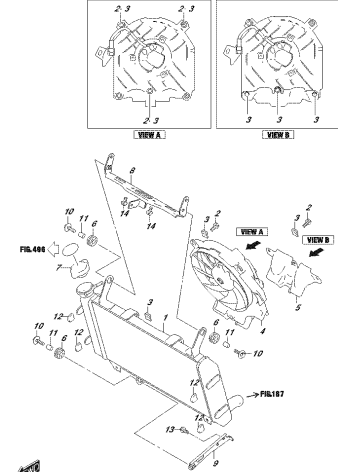
ISKHORRAM_E31_178A
FUEL PUMP

FIG. 180A



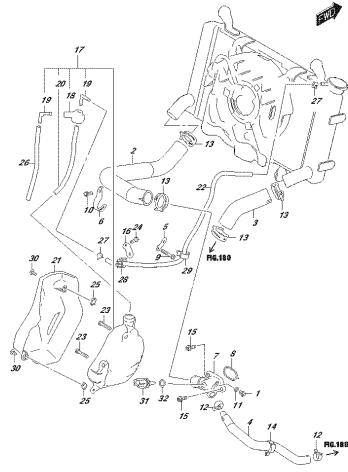
ISKHORRAM_E31_180A
FUEL PUMP

FIG. 185A



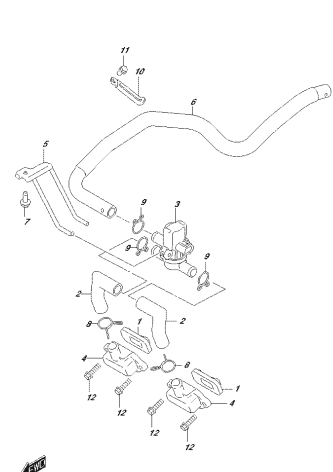
ISKHORRAM_E31_185A
RADIATOR

FIG. 187A



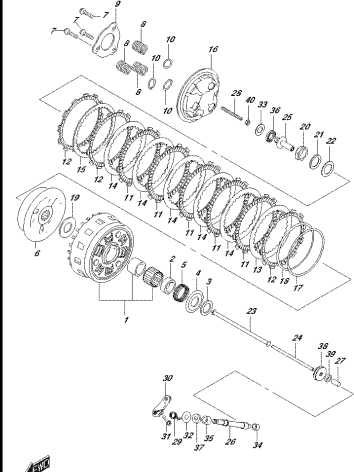
ISKHORRAM_E31_187A
RADIATOR CORE

FIG. 189A



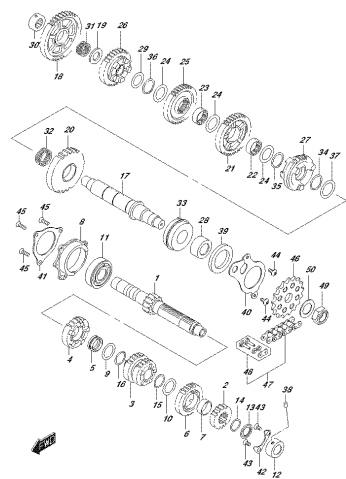
ISKHORRAM_E31_189A
RADIATOR CORE

FIG. 201A



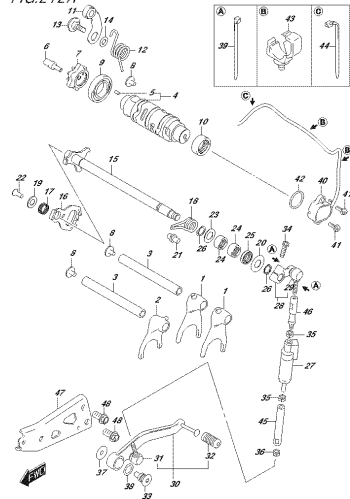
ISKHORRAM_E31_201A
CLUTCH

FIG.206A



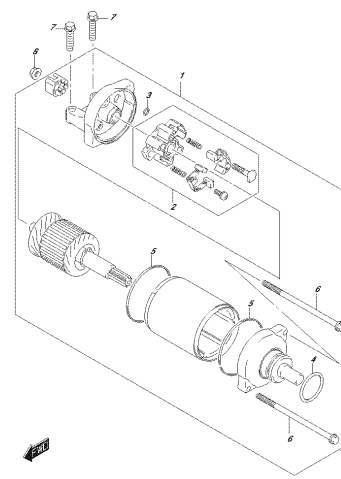
OSKORIRAKI_EPI_206A
ITK46560327

FIG.212A



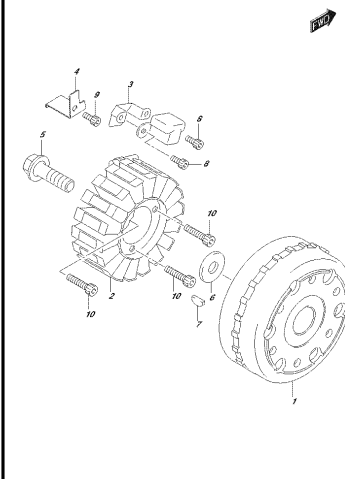
OSKORIRAKI_EPI_212A
OSK40101770

FIG.301A



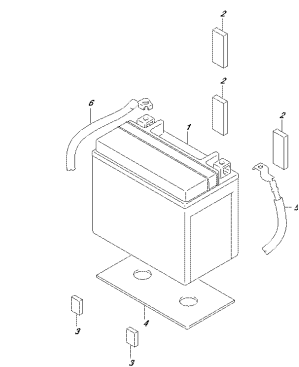
OSKORIRAKI_EPI_301A
OSK40101707

FIG.303A



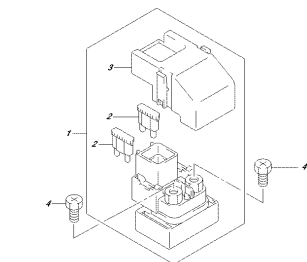
OSKORIRAKI_EPI_303A
SK40101707

FIG.310A



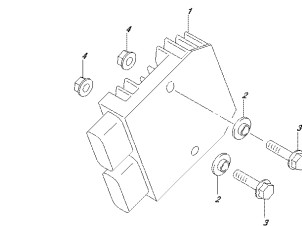
OSKORIRAKI_EPI_310A
SK40101707

FIG.311A



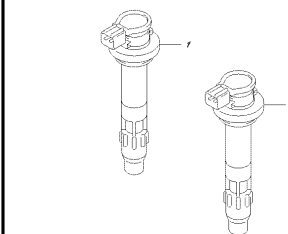
OSKORIRAKI_EPI_311A
OSK40101707

FIG.313A



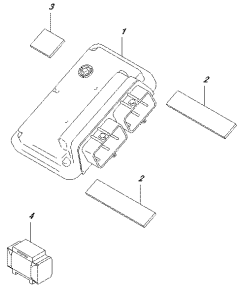
OSKORIRAKI_EPI_313A
REC 40101707

FIG.316A



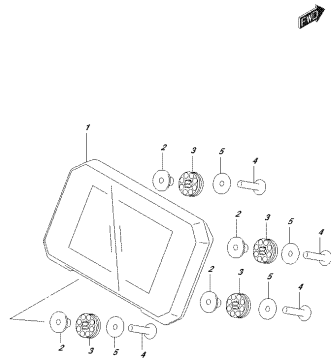
OSKORIRAKI_EPI_316A
K011010107

FIG.322A



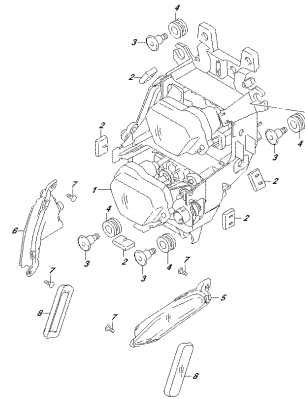
ISKH03RAME_E01_S004
ELECTRONIC SHIFT CONTROL UNIT

FIG.330A



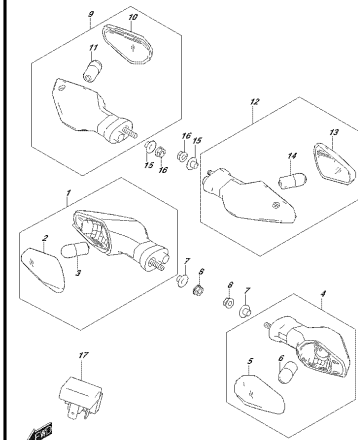
ISKH03RAME_E01_S004
SPEED INDICATOR

FIG.333A



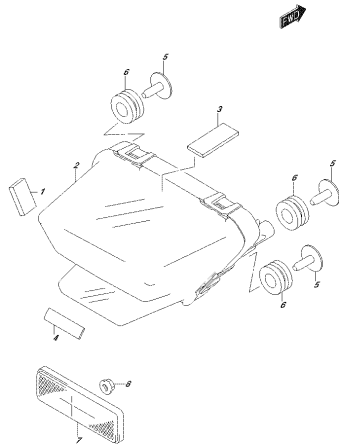
ISKH03RAME_E01_S004
HEADLAMP

FIG.334A



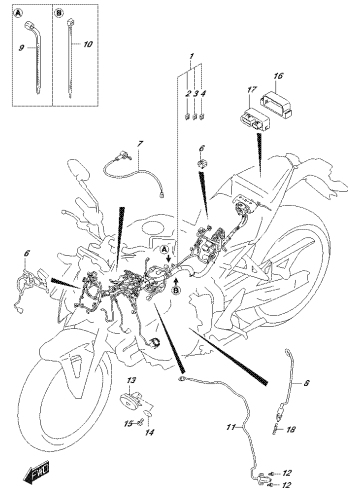
ISKH03RAME_E01_S004
TURN SIGNAL LAMP

FIG.339A



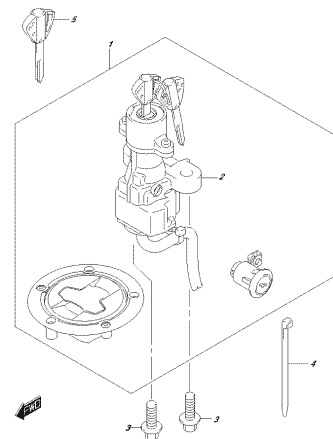
ISKH03RAME_E01_S004
REAR COMBINATION LAMP

FIG.350A



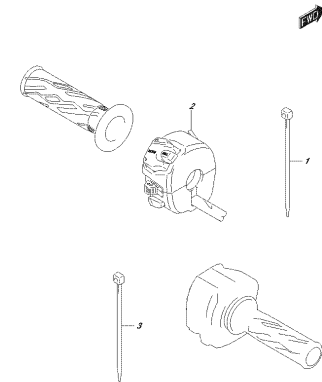
ISKH03RAME_E01_S004
MIRROR/WINDLESS

FIG.352A



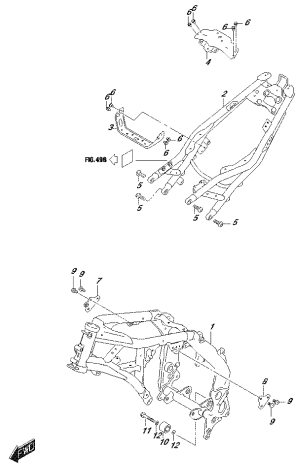
ISKH03RAME_E01_S004
LOCK SET

FIG.355A



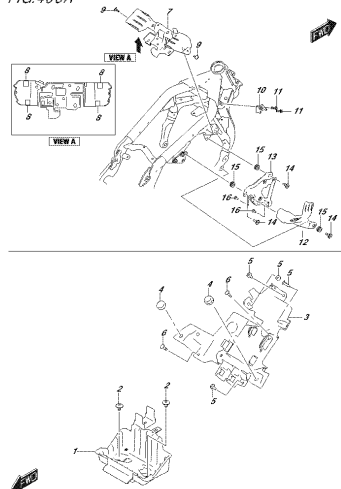
ISKH03RAME_E01_S004
HANDLE SWITCH

FIG.401A



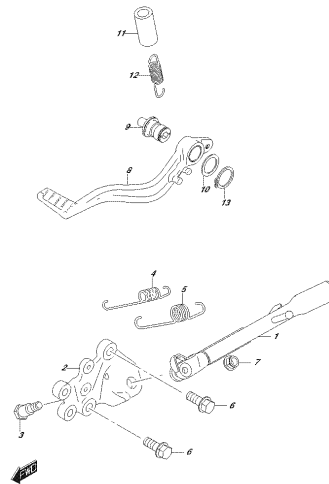
ISKHOPRAZ_EU1_401A
FUEL TANK

FIG.406A



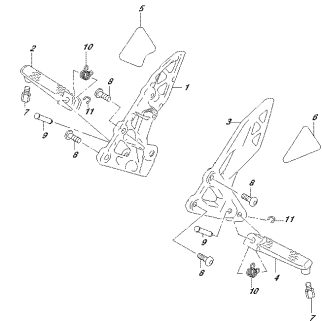
ISKHOPRAZ_EU1_406A
FUEL FILTER

FIG.407A



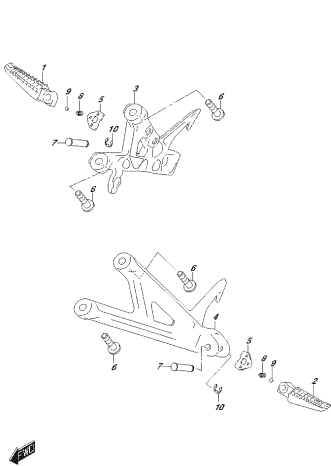
ISKHOPRAZ_EU1_407A
PUMP

FIG.415A



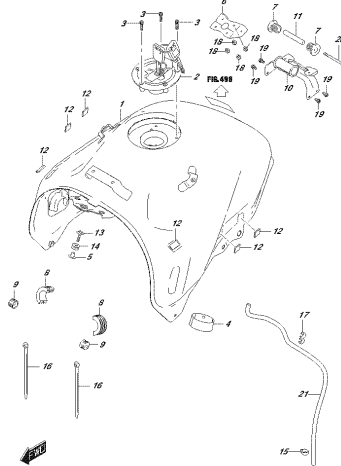
ISKHOPRAZ_EU1_415A
FUEL FILTER

FIG.417A



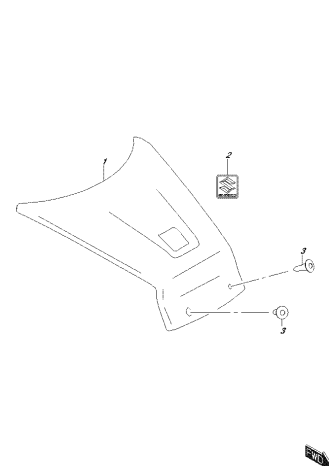
ISKHOPRAZ_EU1_417A
FUEL FILTER

FIG.420A



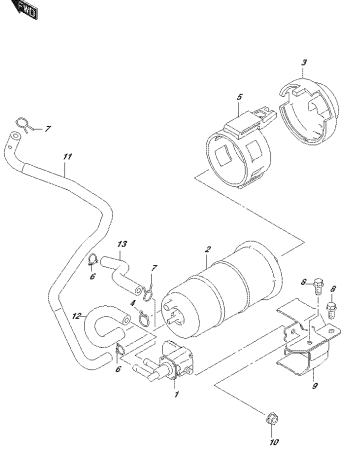
ISKHOPRAZ_EU1_420A
FUEL TANK

FIG.422A



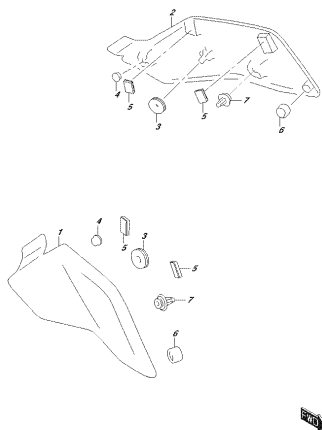
ISKHOPRAZ_EU1_422A
FUEL TANK FRONT COVER

FIG.427A



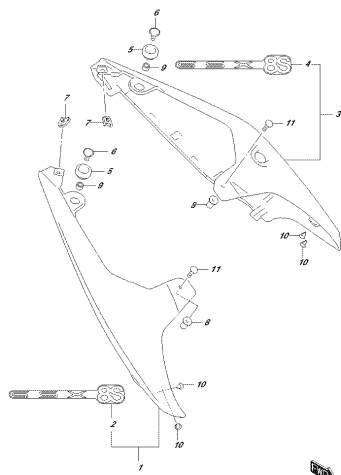
ISKHOPRAZ_EU1_427A
PUMP SYSTEM

FIG.433A



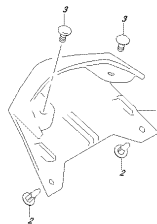
ISKH03R2M2_E01_433A
SIDE COVER

FIG.434A



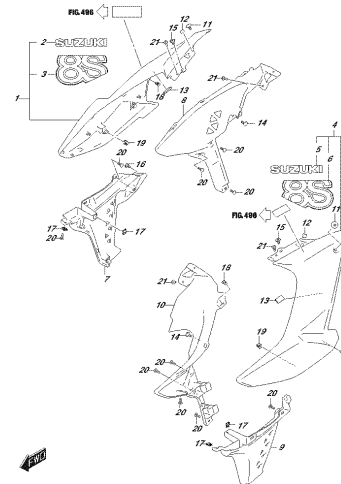
ISKH03R2M2_E01_434A
SIDE REAR COVER

FIG.443A



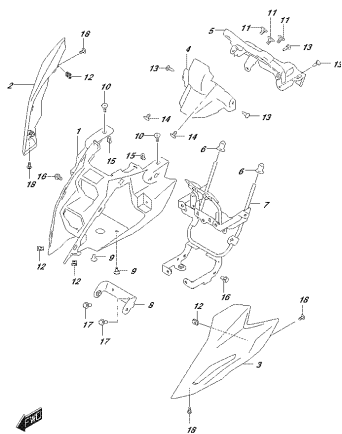
ISKH03R2M2_E01_443A
FRONT REAR COVER

FIG.447A



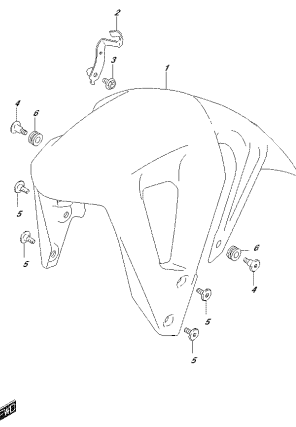
ISKH03R2M2_E01_447A
FRONT SIDE COVER

FIG.451A



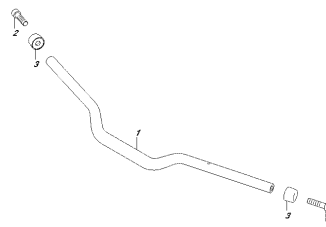
ISKH03R2M2_E01_451A
HEADLAMP HOUSING

FIG.460A



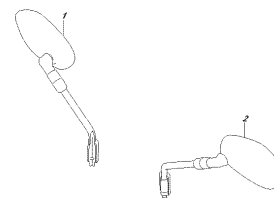
ISKH03R2M2_E01_460A
FRONT FENDER

FIG.462A



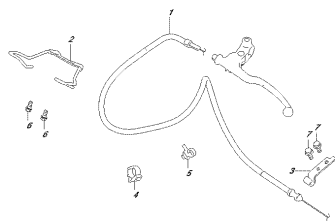
ISKH03R2M2_E01_462A
HANDLEBAR

FIG.464A



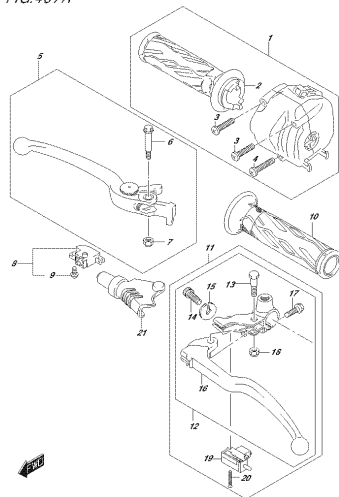
ISKH03R2M2_E01_464A
REAR VIEW MIRROR

FIG.466A



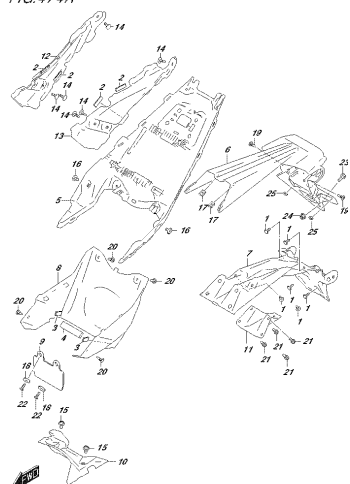
OSKORRAMEL_E01_466A
COVERED CABLE

FIG.467A



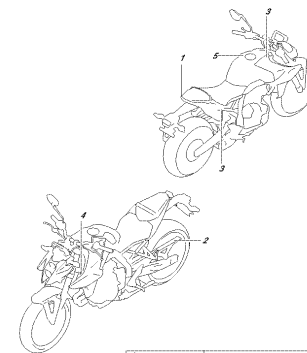
OSKORRAMEL_E01_467A
HANDLEBAR

FIG.474A



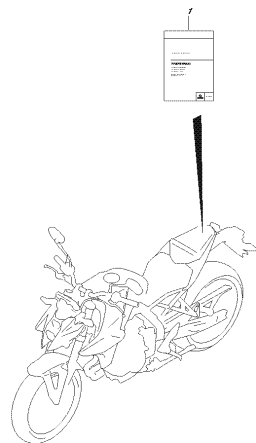
OSKORRAMEL_E01_474A
REARVIEW MIRROR

FIG.496A



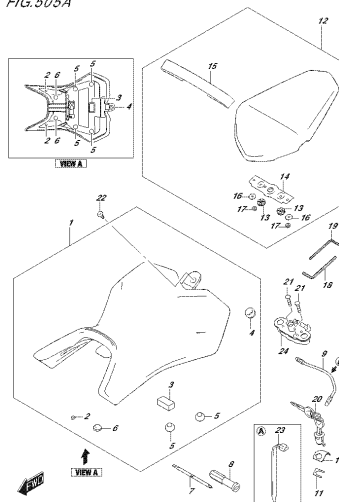
OSKORRAMEL_E01_496A
LABEL

FIG.497A



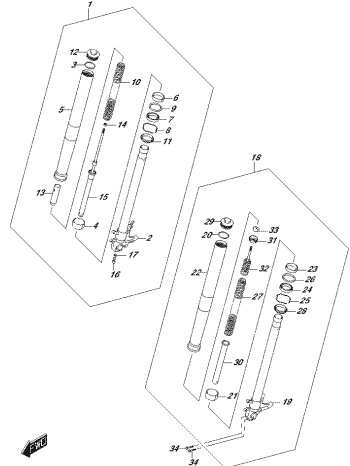
OSKORRAMEL_E01_497A
SEAT COVER/TIEZEL

FIG.505A



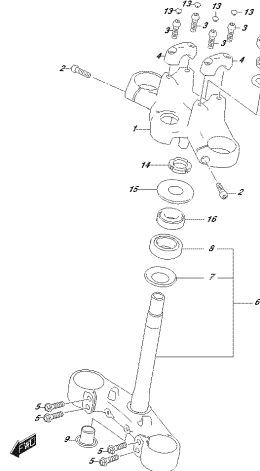
OSKORRAMEL_E01_505A
SEAT

FIG.521A



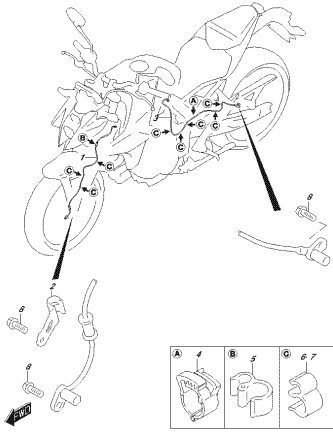
OSKORRAMEL_E01_521A
FRONT FORK DAMPER

FIG.524A



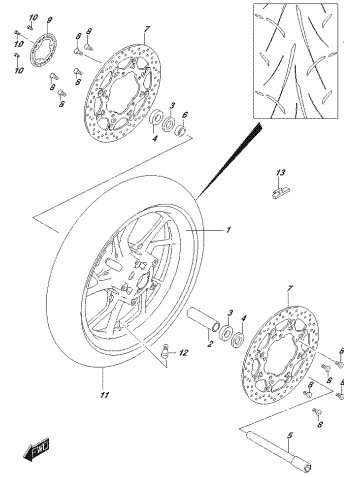
OSKORRAMEL_E01_524A
STEERING STEM

FIG.526A



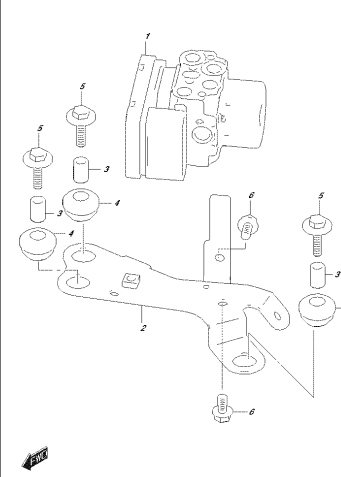
050807R04_E01_5304
FRONT FORK

FIG.530A



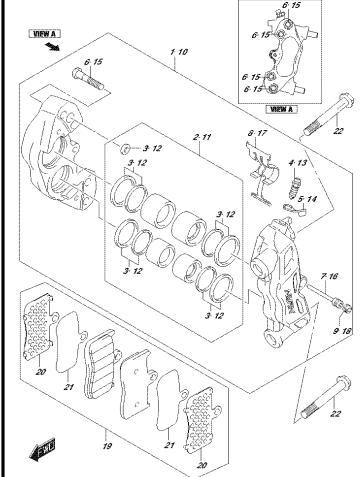
050807R04_E01_5304
FRONT WHEEL

FIG.533A



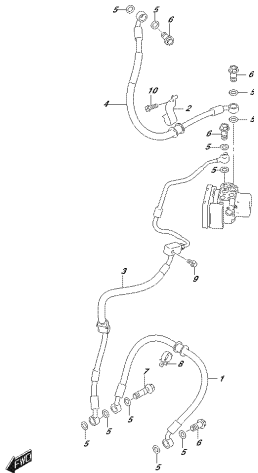
050807R04_E01_5304
FRONT HANDLEBAR

FIG.535A



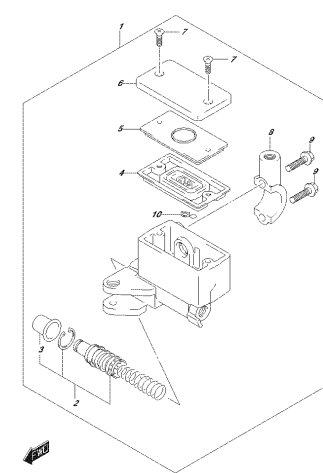
050807R04_E01_5304
FRONT FAIRING

FIG.536A



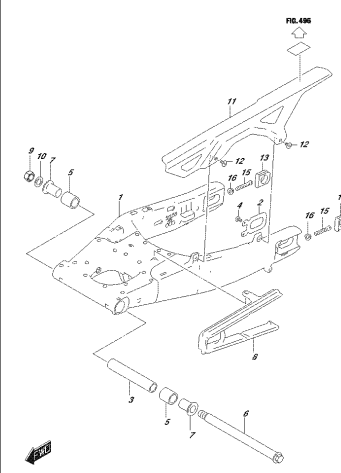
050807R04_E01_5304
FRONT BRAKE HOSE

FIG.537A



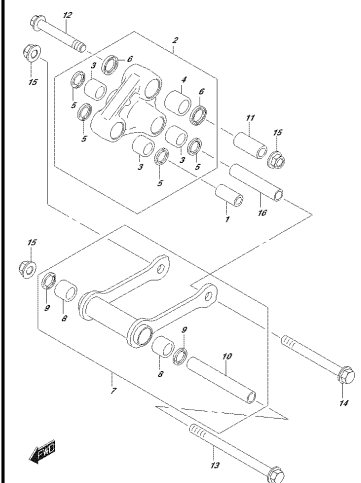
050807R04_E01_5304
FRONT MASTER CYLINDER

FIG.541A



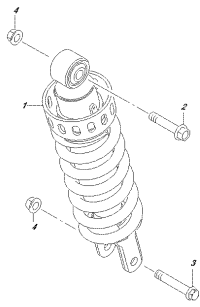
050807R04_E01_5414
REAR MASTER CYLINDER

FIG.543A



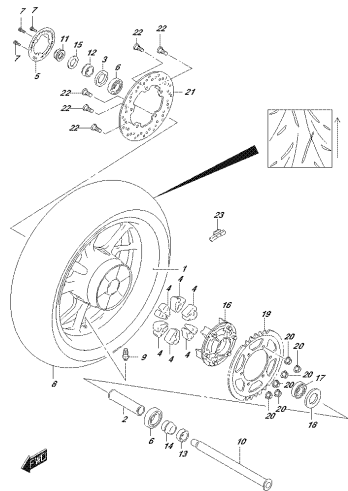
050807R04_E01_5434
REAR DISC BRAKE

FIG.545A



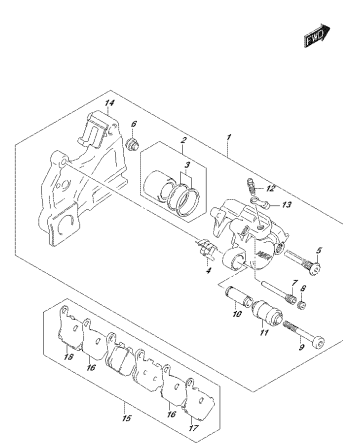
OSKOTRAME_EST_5584
REARSHOCKABSORBER

FIG.550A



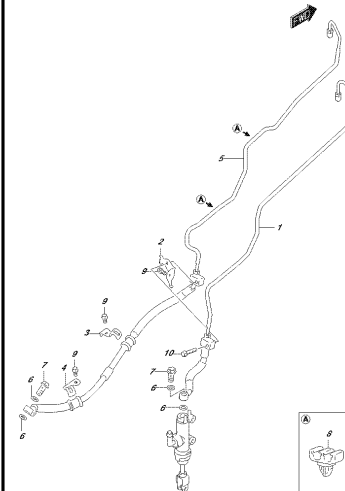
OSKOTRAME_EST_5584
REARWHEEL

FIG.555A



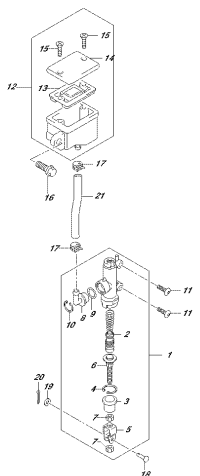
OSKOTRAME_EST_5584
REARAXLE

FIG.557A



OSKOTRAME_EST_5584
REARSTEERING

FIG.558A



OSKOTRAME_EST_5584
REARMASTERCYLINDER

FIG.101A

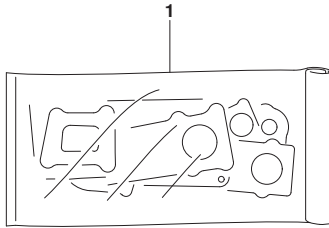
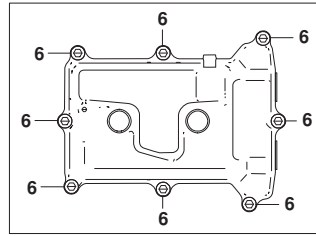


FIG.101A (1-B-2) GASKET SET

REF NO.	PART NO.	DESCRIPTION	Q'TY	REMARKS
1	11400-25820	GASKET SET	1	OPT
2	11141-25L10	.GASKET,CYLINDER HEAD	1	OPT,NOT ILLUSTRATED
3	11173-25L00	.GASKET,CYL HEAD COVER NO.1	1	OPT,NOT ILLUSTRATED
4	11177-25L00	.GASKET,BREATHER PLATE	1	OPT,NOT ILLUSTRATED
5	11178-33E00	.GASKET,CYL HEAD COVER NO.2	1	OPT,NOT ILLUSTRATED
6	11241-25L00	.GASKET,CYLINDER	1	OPT,NOT ILLUSTRATED
7	11482-25L00	.GASKET,CLUTCH COVER	1	OPT,NOT ILLUSTRATED
8	11483-25L00	.GASKET,MAGNETO COVER	1	OPT,NOT ILLUSTRATED
9	11489-25L00	.GASKET,OIL PAN	1	OPT,NOT ILLUSTRATED
10	12837-25L00	.GASKET,TENSIONER ADJUSTER	1	OPT,NOT ILLUSTRATED
11	14181-04K00	.GASKET,EXHAUST PIPE	1	OPT,NOT ILLUSTRATED
12	16611-48K00	.O-RING,OIL COOLER	1	OPT,NOT ILLUSTRATED
13	17421-25L00	.GASKET,WATER PUMP	1	OPT,NOT ILLUSTRATED
14	17431-25L00	.O-RING,WATER PUMP	1	OPT,NOT ILLUSTRATED
15	17861-25L00	.O-RING,WATER CONNECTOR	1	OPT,NOT ILLUSTRATED

FIG.102A



VIEW A

FIG.102A (1-B-3) CYLINDER HEAD COVER

REF NO.	PART NO.	DESCRIPTION	Q'TY	REMARKS
1	11170-25L00	COVER,CYLINDER HEAD	1	
2	11173-25L00	GASKET,CYL HEAD COVER NO.1	1	
3	11176-25L00	PLATE,BREATHER	1	
4	11177-25L00	GASKET,BREATHER PLATE	1	
5	11178-33E00	GASKET,CYL HEAD COVER NO.2	2	
6	11178-69L00	BOLT,CYLINDER HEAD COVER	8	
7	09100-05022	BOLT,BREATHER PLATE	5	

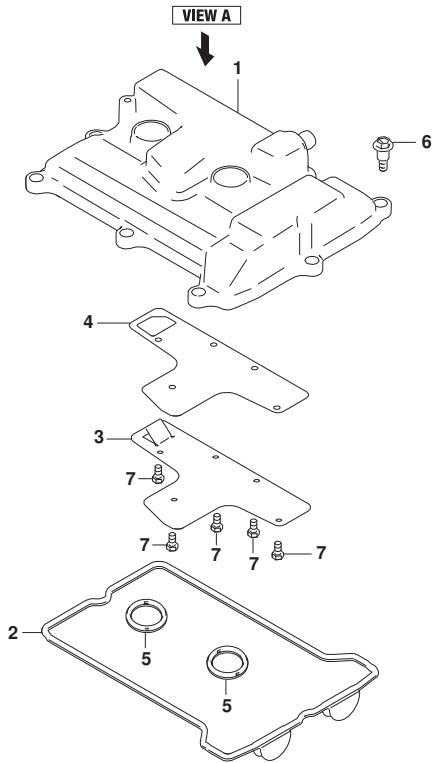
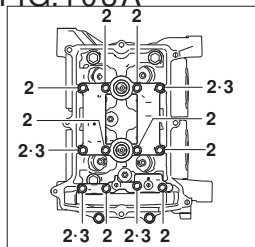
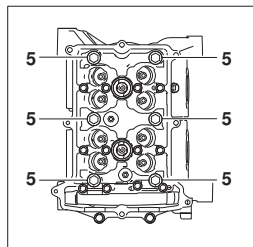


FIG.103A



VIEW A



VIEW B

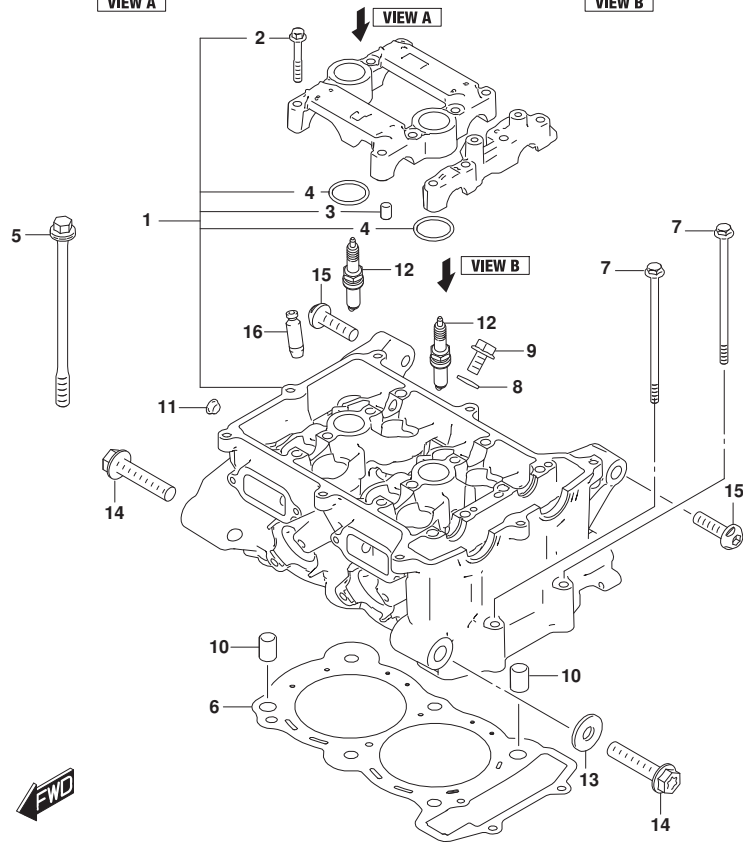


FIG.103A (1-B-4) CYLINDER HEAD

REF NO.	PART NO.	DESCRIPTION	Q'TY	REMARKS
1	11100-25L00	HEAD ASSY,CYLINDER	1	
2	09103-06266	.BOLT (6X40)	12	
3	09206-08001	.PIN (8X11)	4	
4	09280-26007	.O-RING (ID:25.7,DD:2.4)	2	
5	11117-44H00	BOLT,CYL HEAD (L:160)	6	
6	11141-25L10	GASKET,CYLINDER HEAD	1	
7	09103-06148	BOLT (6X120)	2	
8	09168-06023	GASKET (5.8X13X1.2)	1	
9	01550-0612A	BOLT	1	
10	04211-13189	PIN (10.4X13X18)	2	
11	09250-08012	CAP (OD:12)	1	
12	09482-00635	PLUG,SPARK (LMAR8BI-9)	2	
13	11611-25L00	WASHER,ENG MTG FR,L	1	
14	09103-12145	BOLT,ENG MTG HEAD	2	
15	09106-10102	BOLT,ENG MTG HEAD	2	
16	11115-25L70	GUIDE,VALVE OS 0.3	8	



FIG.107A

FIG.107A (1-B-5) CYLINDER

REF NO.	PART NO.	DESCRIPTION	Q'TY	REMARKS
1	11210-25L00-0F0	CYLINDER	1	
2	11241-25L00	GASKET,CYLINDER	1	
3	04211-11169	PIN	2	

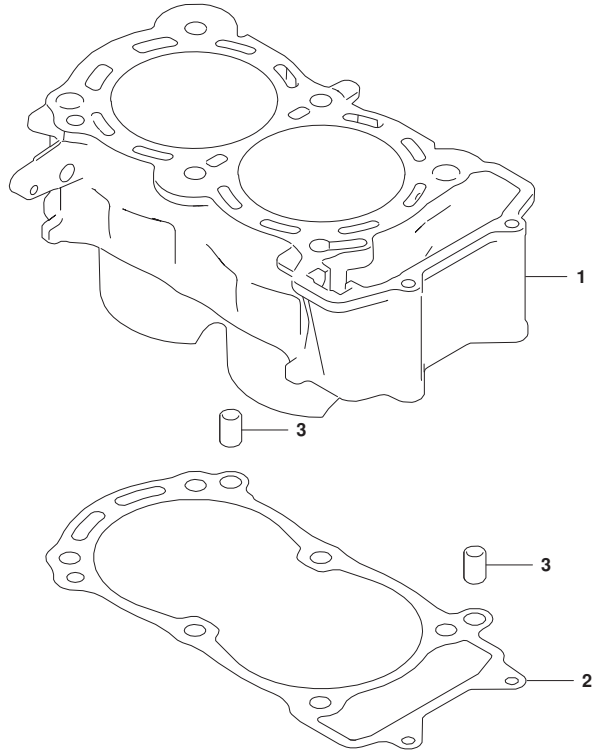


FIG.108A

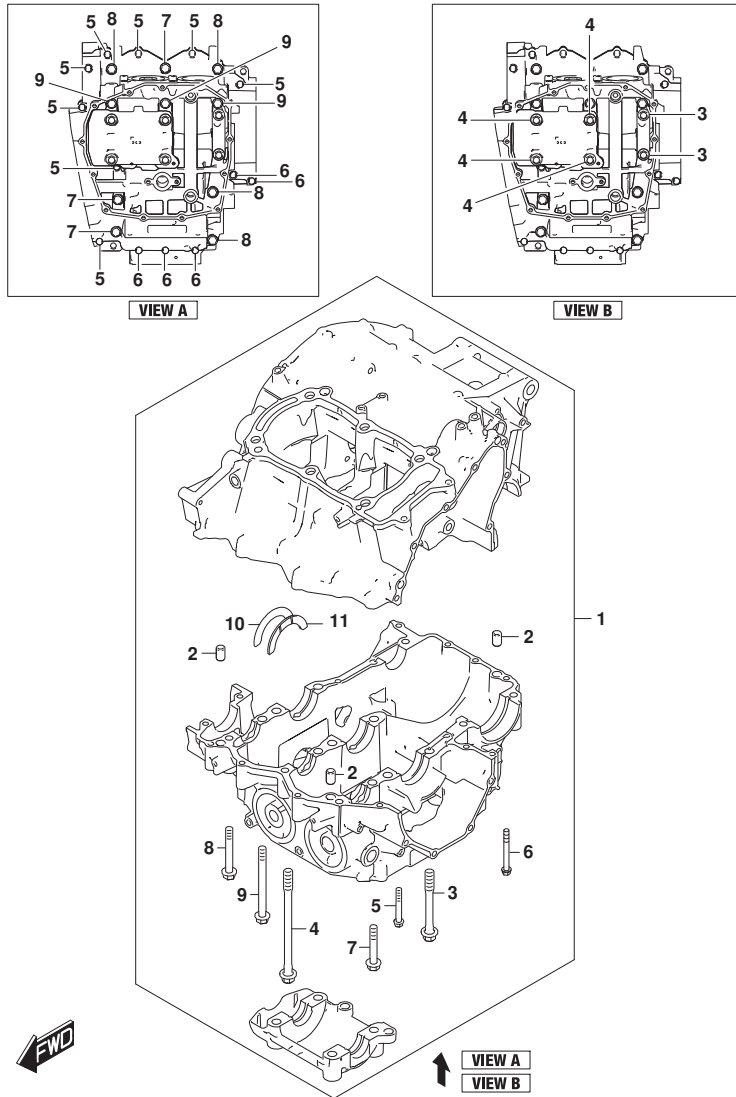


FIG.108A (1-B-6) CRANKCASE

REF NO.	PART NO.	DESCRIPTION	Q'TY	REMARKS
1	11300-25820	CRANKCASE SET	1	
2	11319-33E50	PIN,CRANKCASE	2	
3	11322-25L00	BOLT,CRANKCASE	2	
4	11323-25L00	BOLT,CRANKCASE	4	
5	01547-0645A	BOLT	8	
6	01547-0655A	BOLT	5	
7	01550-0850A	BOLT	3	
8	01550-0860A	BOLT	4	
9	01550-0895A	BOLT	3	
10	12228-24F00-0D0	BEARING,CRANK THRUST (GREEN)	1	
11-1	12228-24F00-0A0	BEARING,CRANK THRUST,L (RED)	1	
11-2	12228-24F00-0B0	BEARING,CRANK THRUST,L (BLACK)	1	
11-3	12228-24F00-0C0	BEARING,CRANK THRUST,L (BLUE)	1	
11-4	12228-24F00-0D0	BEARING,CRANK THRUST (GREEN)	1	
11-5	12228-24F00-0E0	BEARING,CRANK THRUST,L (YELLOW)	1	
11-6	12228-24F00-0F0	BEARING,CRANK THRUST,L (WHITE)	1	

FIG.109A

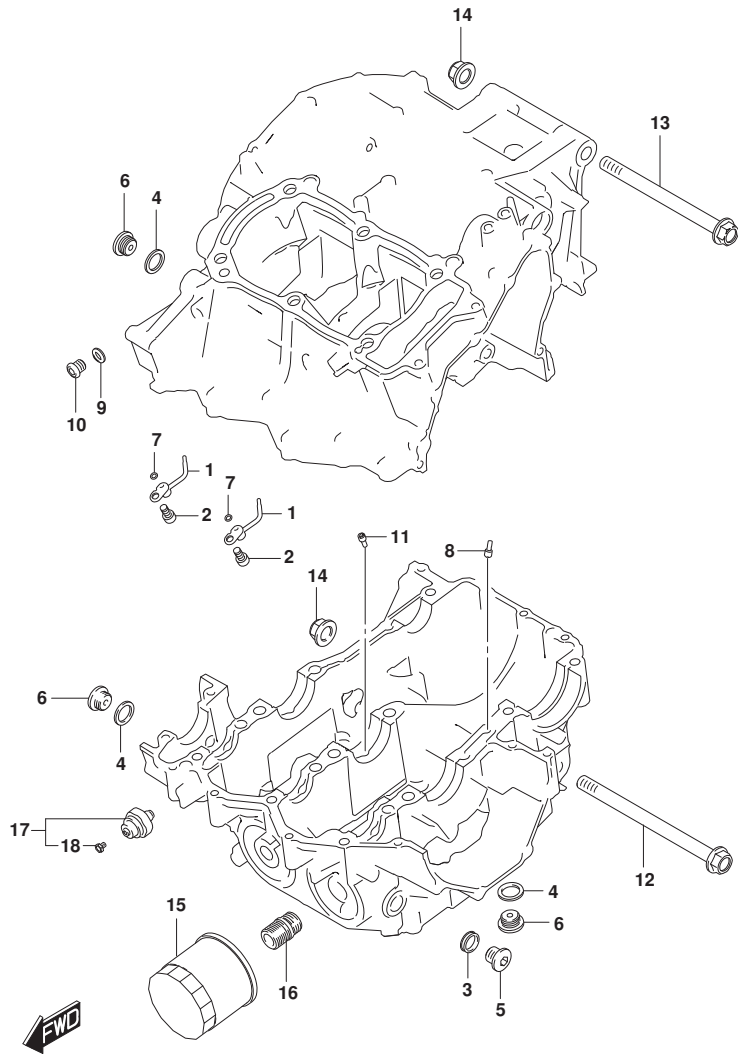


FIG.109A (1-B-7) CRANKCASE (2)

REF NO.	PART NO.	DESCRIPTION	Q'TY	REMARKS
1	11390-25L00	JET,PISTON COOLING	2	
2	09106-06075	BOLT (6X12)	2	
3	09168-14002	GASKET (13.8X18.8X4.8)	1	
4	09168-16002	GASKET (16X22X2)	3	
5	09248-14011	PLUG (14X12)	1	
6	09248-16012	PLUG (16X8)	3	
7	09280-04004	O-RING (D:1.2,ID:4)	2	
8	09493-28012	JET (#140)	1	
9	09168-10002	GASKET (10X14X3.6)	1	
10	09248-10010	PLUG (10X10)	1	
11	09493-22010	JET,AIR	1	
12	09103-12143	BOLT,ENG MTG	1	
13	09103-12144	BOLT,ENG MTG	1	
14	09159-12072	NUT	2	
15	16510-07J00	FILTER ASSY,ENGINE OIL (P1.0)	1	
16	16591-06B01	UNION,OIL STAND	1	
17	37820-33D11	SWITCH ASSY,OIL PRESSURE	1	
18	37822-33D00	.BOLT,OIL PRESSURE SWITCH	1	

FIG.113A

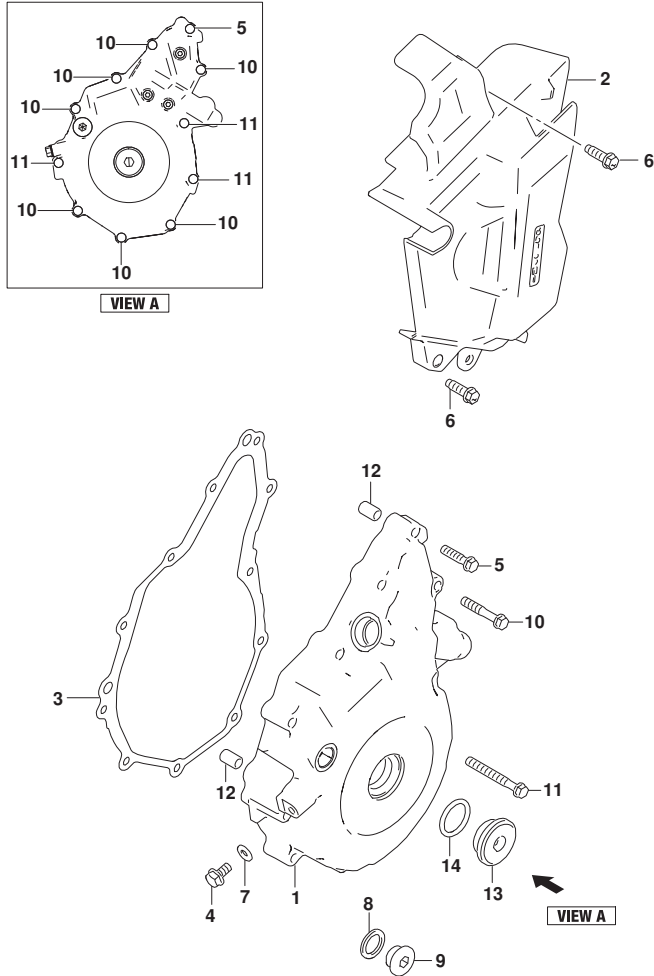
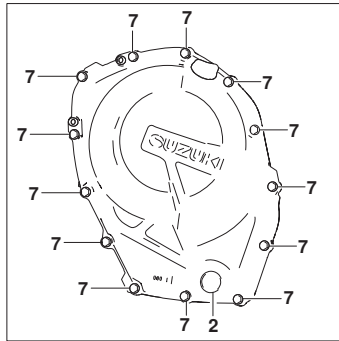


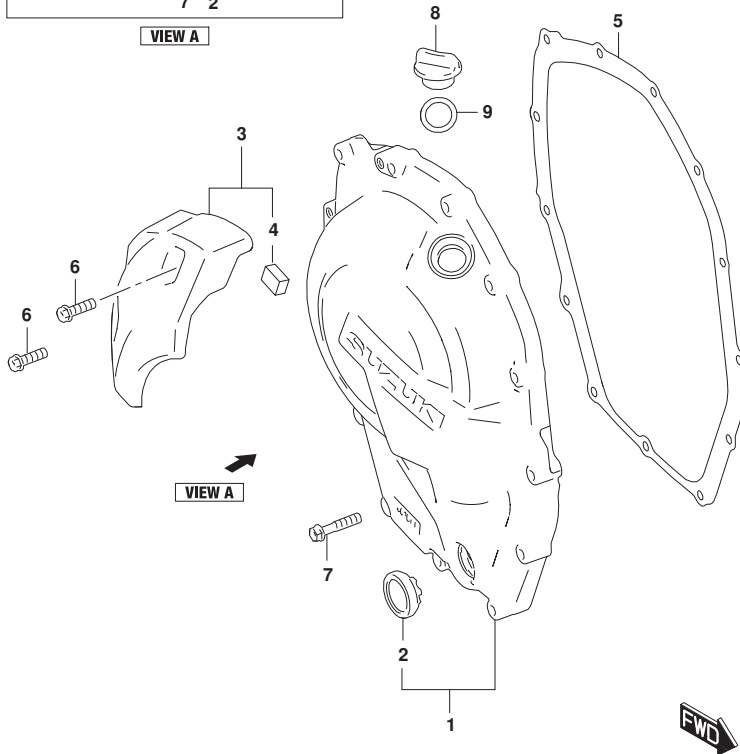
FIG.113A (1-B-8) MAGNETO COVER

REF NO.	PART NO.	DESCRIPTION	Q'TY	REMARKS
1	11351-25L10	COVER,MAGNETO	1	
2	11360-25L10	COVER,ENG SPROCKET	1	
3	11483-25L00	GASKET,MAGNETO COVER	1	
4	09103-06222	BOLT (6X12)	1	
5	09103-06528	BOLT (6X25)	1	
6	09135-06035	BOLT,SPROCKET COVER	2	
7	09168-06018	GASKET (6.2X13X1.2)	1	
8	09168-16002	GASKET (16X22X2)	1	
9	09248-16012	PLUG (16X8)	1	
10	09103-06530	BOLT (L:35)	7	
11	09103-06533	BOLT,CRANKCASE (6X50)	3	
12	04211-09149	PIN (8.5X18X2.3)	2	
13	09259-26012	PLUG	1	
14	09280-22008	O-RING (D:3.1,ID:22.7)	1	

FIG.114A



VIEW A



VIEW A

FIG.114A (1-B-9) CLUTCH COVER

REF NO.	PART NO.	DESCRIPTION	Q'TY	REMARKS
1	11340-25L10	COVER,CLUTCH	1	
2	11971-48H00	.LENS,OIL LEVEL CHECK	1	
3	11370-25L00	PROTECTOR,CLUTCH COVER	1	
4	94531-20K00	.CUSHION,UNDER COWL	2	
5	11482-25L00	GASKET,CLUTCH COVER	1	
6	09103-06527	BOLT (6X20)	2	
7	09103-06529	BOLT (6X30)	13	
8	11971-25D00	PLUG,ENGINE OIL FILLER	1	
9	09280-17003	O-RING (D:3.1,ID:16.8)	1	

FIG.116A

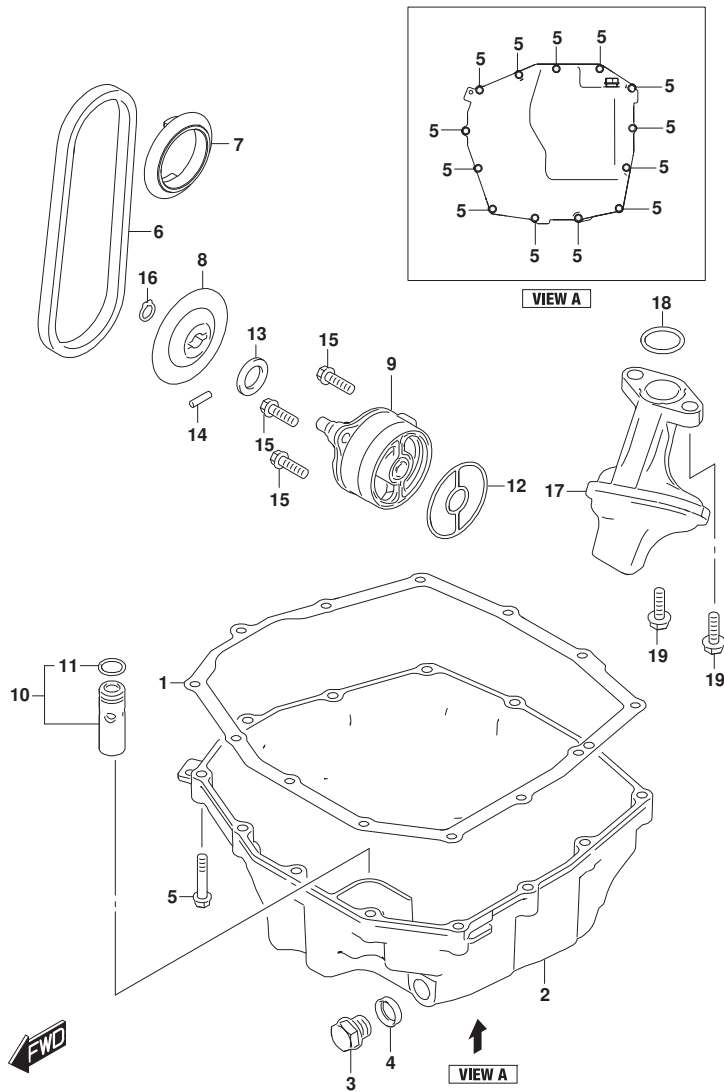


FIG.116A (1-B-10) OIL PAN/OIL PUMP

REF NO.	PART NO.	DESCRIPTION	Q'TY	REMARKS
1	11489-25L00	GASKET,OIL PAN	1	
2	11511-25L00	PAN,OIL	1	
3	09247-14036	PLUG (14X20)	1	OIL DRAIN
4	09168-14002	GASKET (13.8X18.8X4.8)	1	OIL DRAIN
5	01547-0630A	BOLT	13	
6	16310-25L00	CHAIN ASSY,OIL PUMP DRIVE	1	
7	16321-01H00	SPROCKET,OIL PUMP DRIVE (NT:27)	1	
8	16331-25L00	SPROCKET,OIL PUMP DRIVEN	1	
9	16400-25L00	PUMP ASSY,ENG OIL	1	
10	16440-24F00	VALVE ASSY,OIL RELIEF (7K)	1	
11	09280-13004	.O-RING (D:1.9,ID:13)	1	
12	16491-33E00	O-RING,OIL PUMP	1	
13	09181-10158	SHIM (10X18X0.5)	1	
14	09261-04009	PIN (4X15.8)	1	
15	01547-0620A	BOLT	3	
16	08331-31109	CIRCLIP	1	
17	16520-25L00	STRAINER,ENG OIL	1	
18	09280-22024	O-RING,OIL STRAINER	1	
19	01550-0620A	BOLT (6X20)	2	

FIG.120A

FIG.120A (1-B-11) CRANKSHAFT

REF NO.	PART NO.	DESCRIPTION	Q'TY	REMARKS
1	12111-25L00-0F0	PISTON	2	
2	12140-25L00	RING SET,PISTON	2	
3	12151-07D10	PIN,PISTON	2	
4	09381-18002	CIRCLIP (OD:20.5)	4	
5	12160-25L00	CONNROD ASSY	2	
6	12163-24F10	.BOLT,CONNECTING ROD	4	
7	04221-04089	.PIN (4X13.8)	4	
8-1	12164-46E10-0A0	BEARING,CRANK PIN (GREEN)	4	
8-2	12164-46E10-0B0	BEARING,CRANK PIN (BLACK)	4	
8-3	12164-46E10-0C0	BEARING,CRANK PIN (BROWN)	4	
8-4	12164-46E10-0D0	BEARING,CRANK PIN (YELLOW)	4	
9	12000-25810	CRANKSHAFT SET	1	
10	12228-24F00-0D0	.BEARING,CRANK THRUST (GREEN)	1	
11-1	12228-24F00-0A0	.BEARING,CRANK THRUST,L (RED)	1	
11-2	12228-24F00-0B0	.BEARING,CRANK THRUST,L (BLACK	1	
)		
11-3	12228-24F00-0C0	.BEARING,CRANK THRUST,L (BLUE)	1	
11-4	12228-24F00-0D0	.BEARING,CRANK THRUST (GREEN)	1	
11-5	12228-24F00-0E0	.BEARING,CRANK THRUST,L (YELLOW	1	
		W)		
11-6	12228-24F00-0F0	.BEARING,CRANK THRUST,L (WHITE	1	
)		
12-1	12229-25L00-0A0	BEARING,CRANKSHAFT	6	
12-2	12229-25L00-0B0	BEARING,CRANKSHAFT	6	
12-3	12229-25L00-0C0	BEARING,CRANKSHAFT	6	
12-4	12229-25L00-0D0	BEARING,CRANKSHAFT	6	
12-5	12229-25L00-0E0	BEARING,CRANKSHAFT	6	
13	21111-25L00	GEAR,PRIMARY DRIVE	1	
14	21112-25L00	GEAR,PRIMARY DRIVE SCISSORS	1	
15	21114-25L00	WASHER,PRI DRIVE SCISSORS WAVE	1	
16	09440-07081	SPRING,PRI SCISSORS GEAR	3	
17	08331-31409	.CIRCLIP	1	
18	09103-10338	BOLT (10X19)	1	
19	21121-25L00	SPACER,PRIMARY DRIVE GEAR	1	

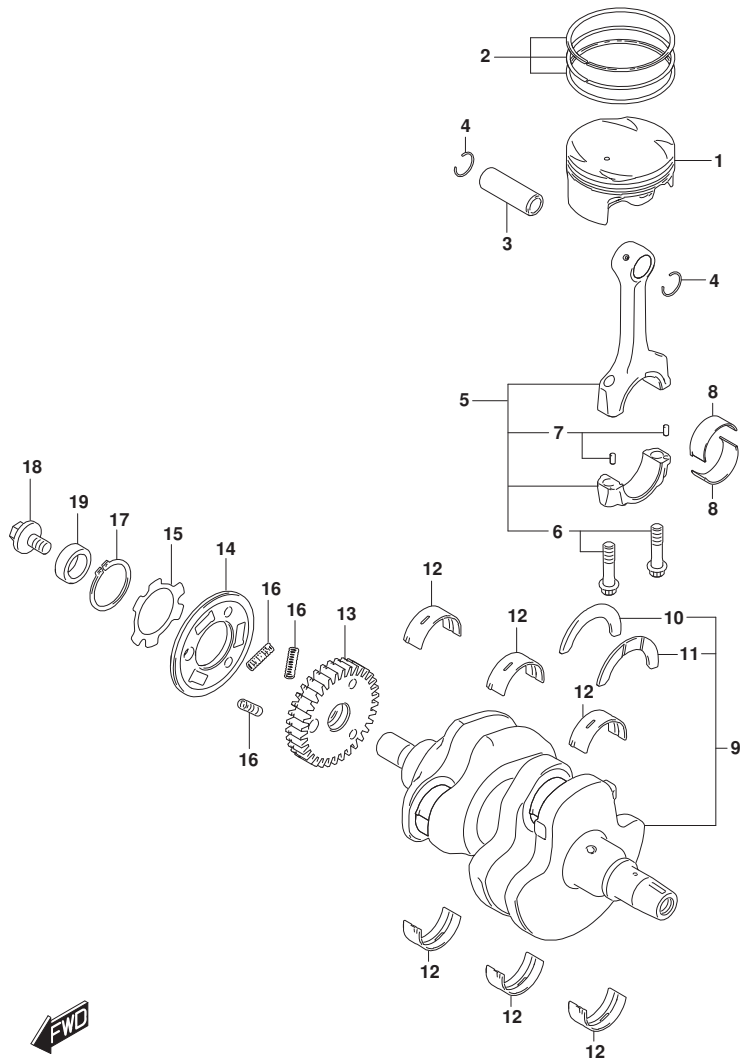


FIG.122A

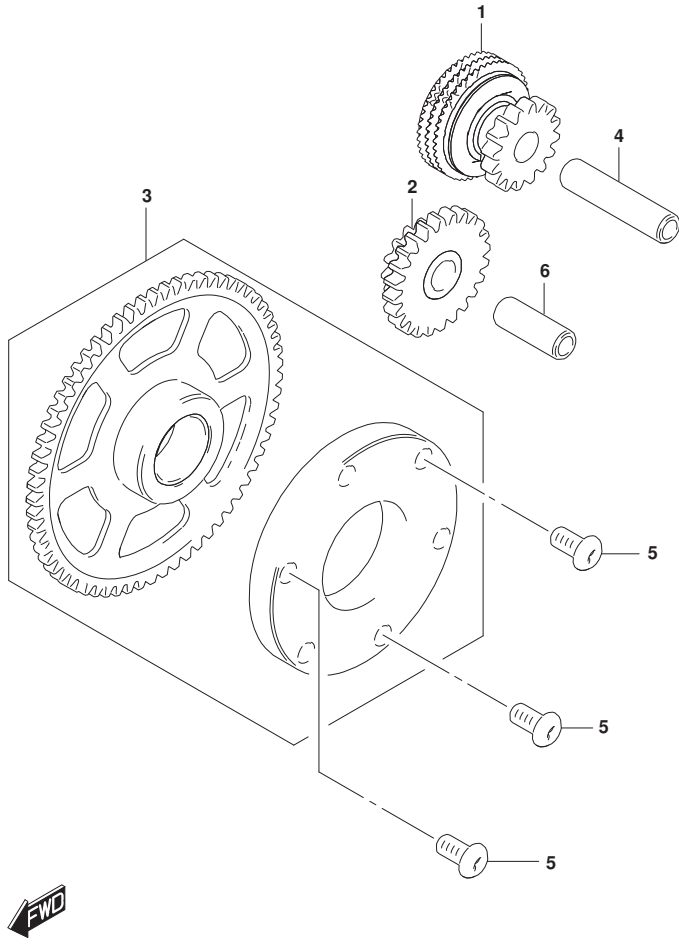


FIG.122A (1-B-12) STARTER CLUTCH

REF NO.	PART NO.	DESCRIPTION	Q'TY	REMARKS
1	12600-25L00	LIMITER ASSY,START ID GR NO.1	1	
2	12610-25L00	GEAR,STARTER IDLE NO.2	1	
3	12600-25830	CLUTCH SET,STARTER	1	
4	12615-24F00	PIN,STARTER IDLE GEAR NO.1	1	
5	12615-25L00	BOLT,STARTER CLUTCH	3	
6	09206-12007	PIN (8X12X33)	1	

FIG.124A

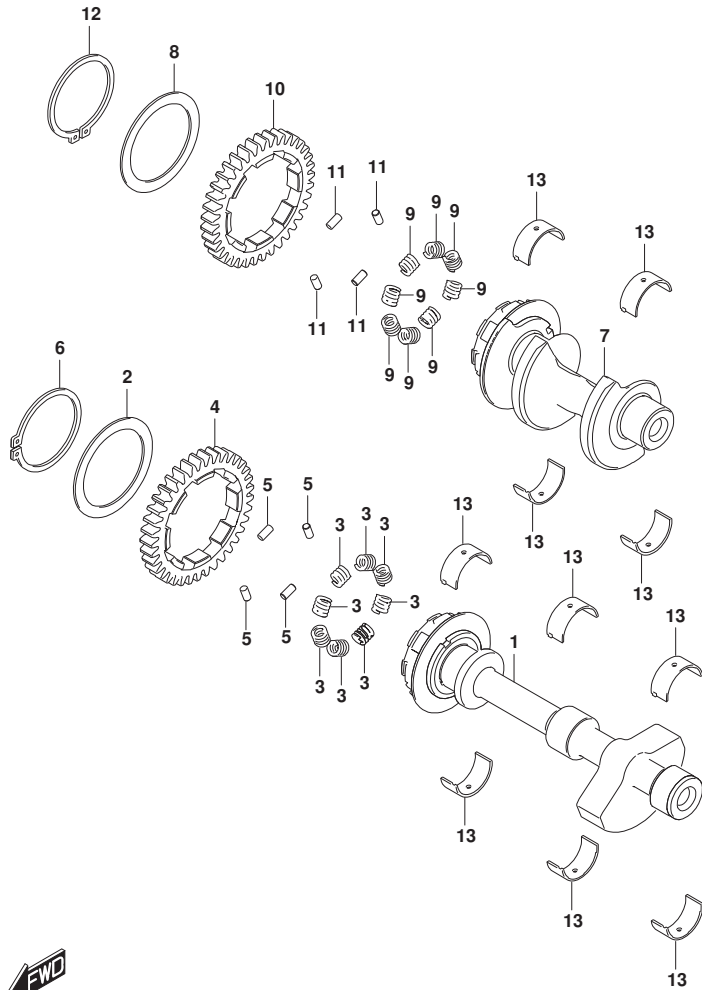


FIG.124A (1-B-13) CRANK BALANCER

REF NO.	PART NO.	DESCRIPTION	Q'TY	REMARKS
1	12601-25L00	BALANCER,CRANK NO.1	1	
2	12662-25L10	WASHER,CRK BAL DRIVEN GR NO.2	1	
3	12663-25L00	SPRING,CRANK BAL DRIVEN GEAR	8	
4	12666-25L00	GEAR,CRANK BALANCER DRIVEN	1	
5	09202-04017	PIN (4.5X9.5)	4	
6	08331-31529	CIRCLIP	1	
7	12602-25L00	BALANCER,CRANK NO.2	1	
8	12662-25L10	WASHER,CRK BAL DRIVEN GR NO.2	1	
9	12663-25L00	SPRING,CRANK BAL DRIVEN GEAR	8	
10	12666-25L00	GEAR,CRANK BALANCER DRIVEN	1	
11	09202-04017	PIN (4.5X9.5)	4	
12	08331-31529	CIRCLIP	1	
13-1	12229-25L10-0A0	BEARING,CRANK BALANCER	10	
13-2	12229-25L10-0B0	BEARING,CRANK BALANCER	10	
13-3	12229-25L10-0C0	BEARING,CRANK BALANCER	10	
13-4	12229-25L10-0D0	BEARING,CRANK BALANCER	10	

FIG.126A

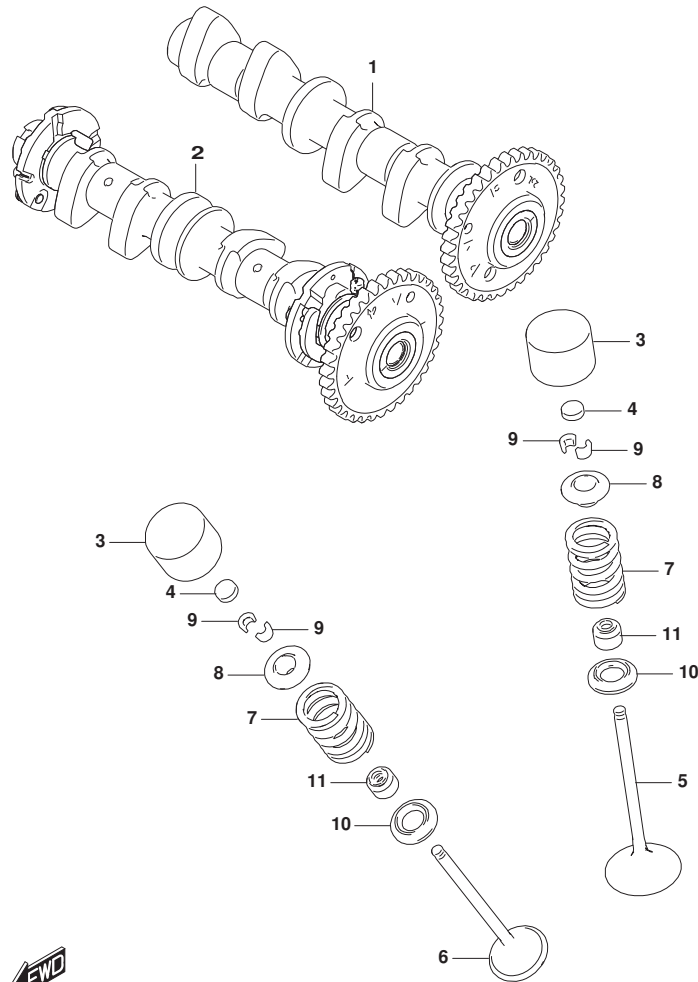


FIG.126A (1-B-14) CAMSHAFT/VALVE

REF NO.	PART NO.	DESCRIPTION	Q'TY	REMARKS
1	12701-25L00	CAMSHAFT,INTAKE	1	
2	12702-25L00	CAMSHAFT,EXHAUST	1	
3	12891-02F10	TAPPET	8	
4-1	12892-41C00-230	SHIM,TAPPET (T:2.30)	8	
4-2	12892-41C00-232	SHIM,TAPPET (T:2.32)	8	
4-3	12892-41C00-235	SHIM,TAPPET (T:2.35)	8	
4-4	12892-41C00-238	SHIM,TAPPET (T:2.38)	8	
4-5	12892-41C00-240	SHIM,TAPPET (T:2.40)	8	
4-6	12892-41C00-242	SHIM,TAPPET (T:2.42)	8	
4-7	12892-41C00-245	SHIM,TAPPET (T:2.45)	8	
4-8	12892-41C00-248	SHIM,TAPPET (T:2.48)	8	
4-9	12892-41C00-250	SHIM,TAPPET (T:2.50)	8	
4-10	12892-41C00-252	SHIM,TAPPET (T:2.52)	8	
4-11	12892-41C00-255	SHIM,TAPPET (T:2.55)	8	
4-12	12892-41C00-258	SHIM,TAPPET (T:2.58)	8	
4-13	12892-41C00-260	SHIM,TAPPET (T:2.60)	8	
4-14	12892-41C00-262	SHIM,TAPPET (T:2.62)	8	
4-15	12892-41C00-265	SHIM,TAPPET (T:2.65)	8	
4-16	12892-41C00-268	SHIM,TAPPET (T:2.68)	8	
4-17	12892-41C00-270	SHIM,TAPPET (T:2.70)	8	
4-18	12892-41C00-272	SHIM,TAPPET (T:2.72)	8	
4-19	12892-41C00-275	SHIM,TAPPET (T:2.75)	8	
4-20	12892-41C00-278	SHIM,TAPPET (T:2.78)	8	
4-21	12892-41C00-280	SHIM,TAPPET (T:2.80)	8	
4-22	12892-41C00-282	SHIM,TAPPET (T:2.82)	8	
4-23	12892-41C00-285	SHIM,TAPPET (T:2.85)	8	
4-24	12892-41C00-288	SHIM,TAPPET (T:2.88)	8	
4-25	12892-41C00-290	SHIM,TAPPET (T:2.90)	8	
4-26	12892-41C00-292	SHIM,TAPPET (T:2.92)	8	
4-27	12892-41C00-295	SHIM,TAPPET (T:2.95)	8	
4-28	12892-41C00-298	SHIM,TAPPET (T:2.98)	8	
4-29	12892-41C00-300	SHIM,TAPPET (T:3.00)	8	
4-30	12892-41C00-302	SHIM,TAPPET (T:3.02)	8	
4-31	12892-41C00-305	SHIM,TAPPET (T:3.05)	8	
4-32	12892-41C00-308	SHIM,TAPPET (T:3.08)	8	

FIG.126A

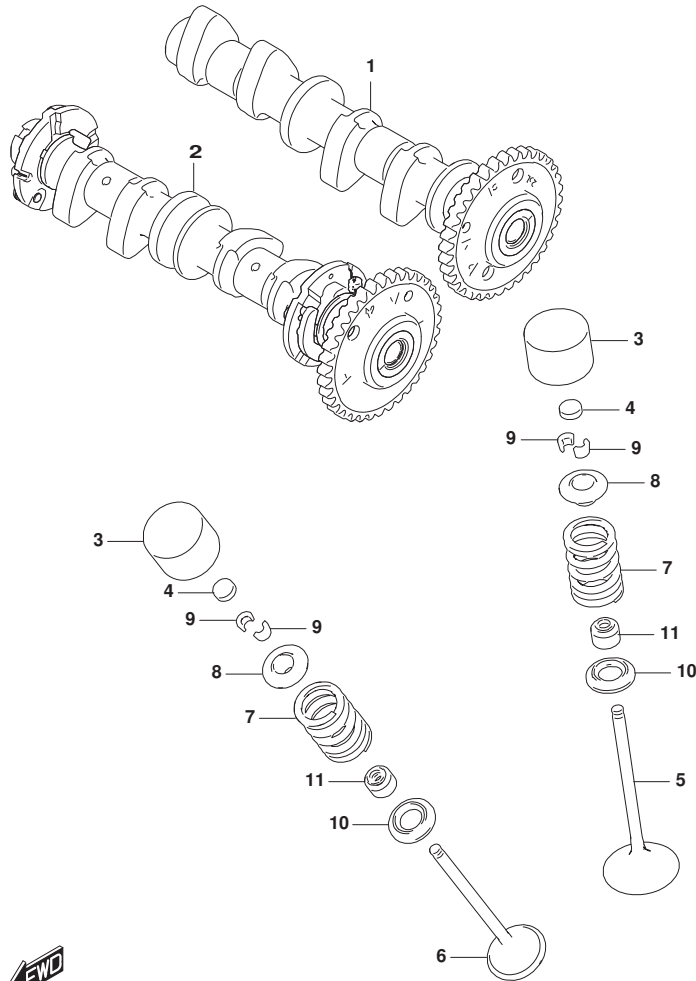


FIG.126A (1-B-15) CAMSHAFT/VALVE

REF NO.	PART NO.	DESCRIPTION	Q'TY	REMARKS
4-33	12892-41C00-310	SHIM,TAPPET (T:3.10)	8	
4-34	12892-41C00-312	SHIM,TAPPET (T:3.12)	8	
4-35	12892-41C00-315	SHIM,TAPPET (T:3.15)	8	
4-36	12892-41C00-318	SHIM,TAPPET (T:3.18)	8	
4-37	12892-41C00-320	SHIM,TAPPET (T:3.20)	8	
4-38	12892-41C00-322	SHIM,TAPPET (T:3.22)	8	
4-39	12892-41C00-325	SHIM,TAPPET (T:3.25)	8	
4-40	12892-41C00-328	SHIM,TAPPET (T:3.28)	8	
4-41	12892-41C00-330	SHIM,TAPPET (T:3.30)	8	
4-42	12892-41C00-332	SHIM,TAPPET (T:3.32)	8	
4-43	12892-41C00-335	SHIM,TAPPET (T:3.35)	8	
4-44	12892-41C00-338	SHIM,TAPPET (T:3.38)	8	
4-45	12892-41C00-340	SHIM,TAPPET (T:3.40)	8	
4-46	12892-41C00-342	SHIM,TAPPET (T:3.42)	8	
4-47	12892-41C00-345	SHIM,TAPPET (T:3.45)	8	
4-48	12892-41C00-348	SHIM,TAPPET (T:3.48)	8	
4-49	12892-41C00-350	SHIM,TAPPET (T:3.50)	8	
5	12911-25L00	VALVE,INTAKE	4	
6	12912-25L00	VALVE,EXHAUST	4	
7	12921-25L00	SPRING,VALVE	8	
8	12931-41K00	RETAINER,VALVE SPRING	8	
9	12932-27A00	COTTER,VALVE	16	
10	12933-25L00	SEAT,VALVE SPRING	8	
11	12934-69L00	SEAL,VALVE STEM	8	
12	12800-41810	SHIM SET,TAPPET (5PCS.EACH)	1	OPT
13	99000-69471	.CASE,TAPPET SHIM	1	OPT,NOT ILLUSTRATED

FIG.127A

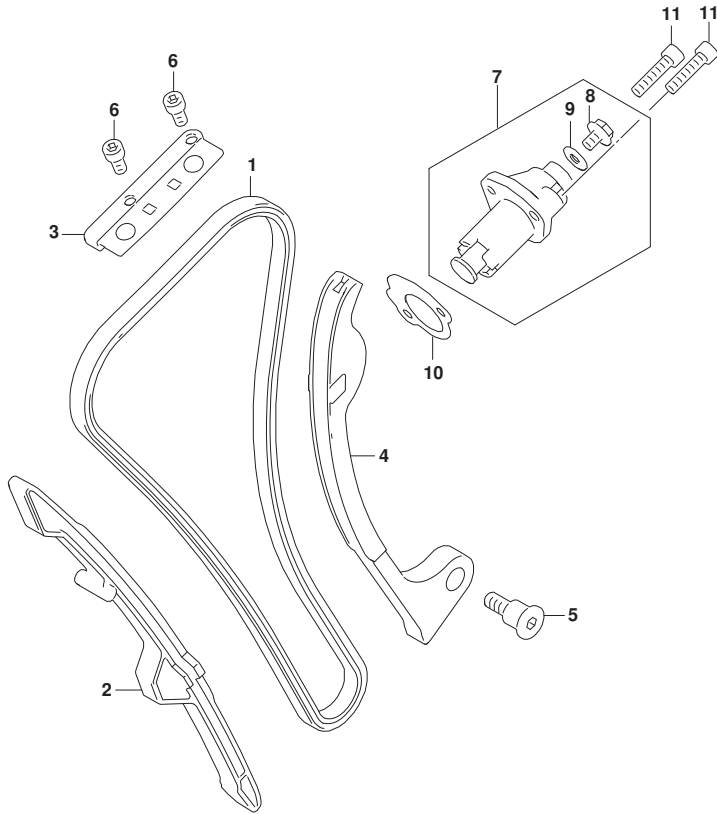


FIG.127A (1-B-16) CAM CHAIN

REF NO.	PART NO.	DESCRIPTION	Q'TY	REMARKS
1	12760-25L00	CHAIN,CAMSHAFT DRIVE	1	
2	12771-25L00	GUIDE,CAM CHAIN NO.1	1	
3	12782-25L00	GUIDE,CAM CHAIN NO.2	1	
4	12811-25L00	TENSIONER,CAM CHAIN	1	
5	12812-31G00	BOLT,CAM CHAIN TENSIONER	1	
6	07130-0612A	BOLT	2	
7	12830-25L00	ADJUSTER ASSY,TENSIONER	1	
8	12833-25L00	.PLUG,TENSIONER ADJUSTER	1	
9	12837-49H00	.GASKET, TENSIONER ADJUSTER	1	
10	12837-25L00	GASKET,TENSIONER ADJUSTER	1	
11	07130-0625B	BOLT	2	



FIG.140A

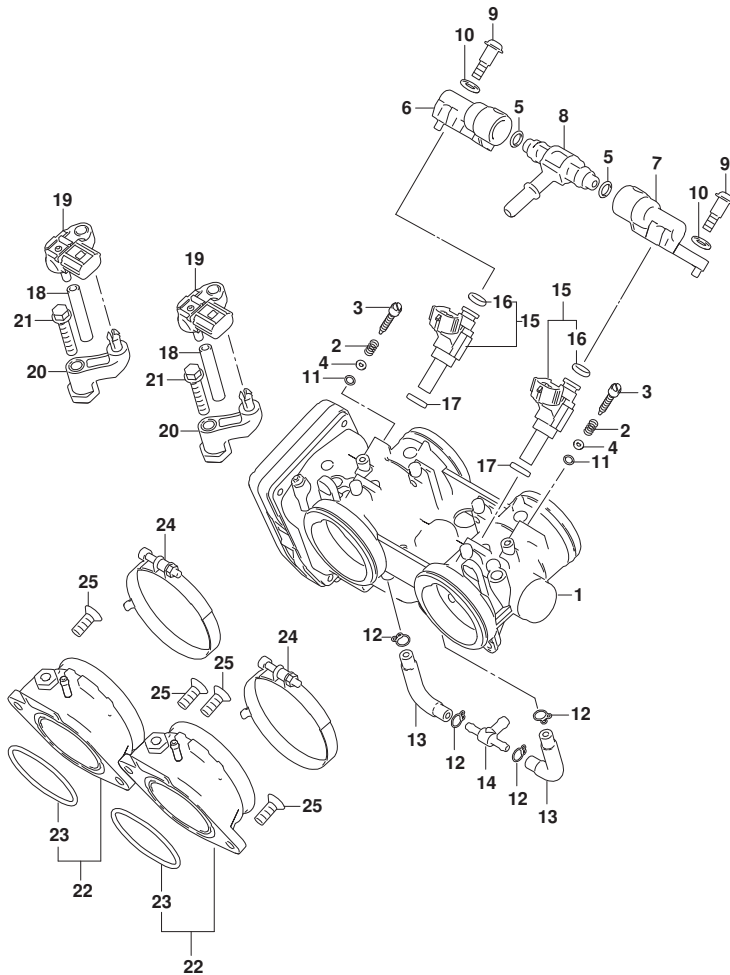


FIG.140A (1-C-2) THROTTLE BODY

REF NO.	PART NO.	DESCRIPTION	Q'TY	REMARKS
1	13400-25L00	THROTTLE BODY ASSY	1	
2	13268-48700	.SPRING,THROTTLE SCREW	2	
3	13269-33E00	.SCREW	2	
4	13295-29901	.O-RING	2	
5	13374-32G00	.O-RING	2	
6	13471-25L00	.DELIVERY PIPE	1	
7	13472-25L00	.DELIVERY PIPE	1	
8	13473-25L00	.NIPPLE	1	
9	13601-11J00	.SCREW	2	
10	13602-29G01	.PACKING	2	
11	13606-47A00	.WASHER	2	
12	13671-12C00	.CLIP	4	
13	13682-25L00	.HOSE	2	
14	13685-04F10	.NIPPLE	1	
15	15710-17K00	.INJECTOR ASSY	2	
16	15717-58B00	.O-RING	2	
17	15722-14J00	.SEAL	2	
18	09355-35007-030	HOSE,VACUUM	2	
19	18590-18K10	SENSOR,BOOST	2	
20	18596-25L00	BRACKET,AIR PRESSURE SENSOR	2	
21	01547-0630A	BOLT	2	
22	13101-25L00	PIPE ASSY,INTAKE	2	
23	13127-25L00	.O-RING,INTAKE PIPE	2	
24	13170-25L00	CLAMP,INTAKE PIPE	2	
25	02122-0616A	SCREW	4	

FIG.155A

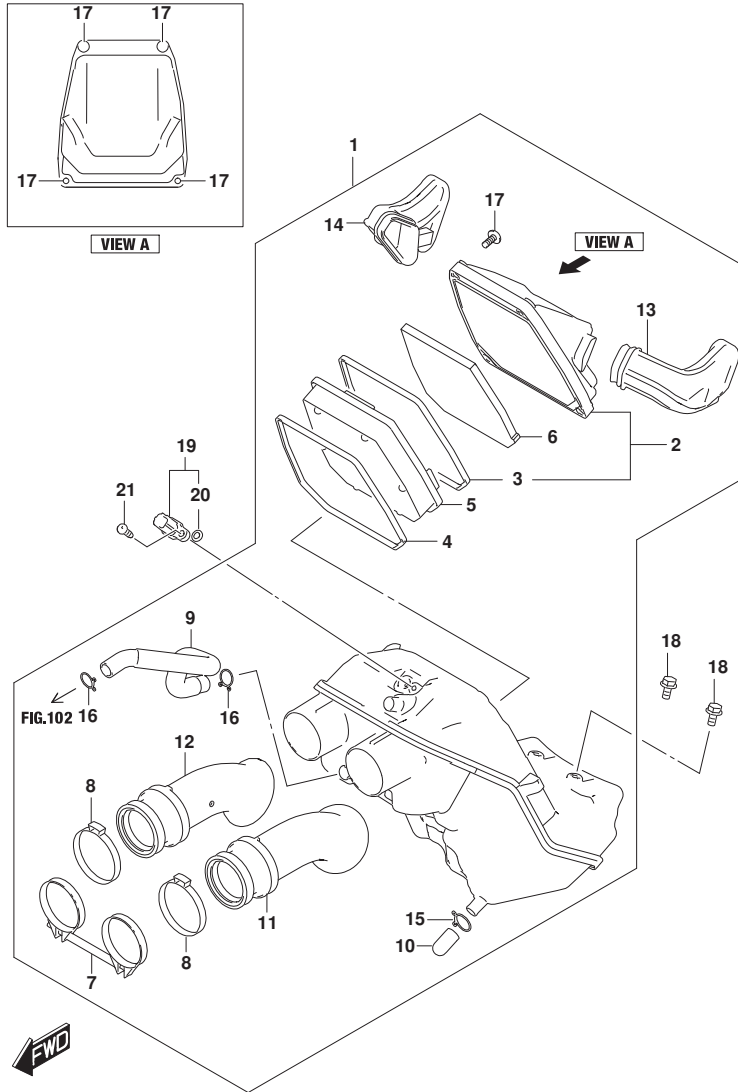


FIG.155A (1-C-3) AIR CLEANER

REF NO.	PART NO.	DESCRIPTION	Q'TY	REMARKS
1	13700-25L00	CLEANER ASSY,AIR	1	
2	13741-25L00	.CAP,AIR CLNR	1	
3	13746-25L00	.GASKET FILTER	1	
4	13746-25L00	.GASKET FILTER	1	
5	13780-25L00	.FILTER AIR CLNR	1	
6	13786-25L00	.PREFILTER	1	
7	13826-25L00	.CLAMP,AIR CLNR	1	
8	13827-25L00	.BAND,FRONT	2	
9	13853-25L00	.TUBE,BREATHER	1	
10	13878-10G01	.PLUG	1	
11	13881-25L00	.TUBE,OUTLET L	1	
12	13882-25L00	.TUBE,OUTLET R	1	
13	13891-25L00	.TUBE,INLET L	1	
14	13892-25L00	.TUBE,INLET R	1	
15	09401-14301	.CLIP	1	
16	09401-16401	.CLIP (ID:16.5)	2	
17	02142-0520A	.SCREW	4	
18	01550-0612A	BOLT	2	
19	13650-41F10	SENSOR,AIR TEMP	1	
20	13655-41F10	.O-RING	1	
21	03511-0516A	SCREW	1	

FIG.163A

FIG.163A (1-C-4) MUFFLER

REF NO.	PART NO.	DESCRIPTION	Q'TY	REMARKS
1	14100-25L00	EXHAUST	1	
2	14181-04K00	GASKET,EXHAUST PIPE	2	
3	14760-25L00	BRACKET,CHAMBER SPRT R	1	
4	14770-25L00	BRACKET,CHAMBER SPRT L	1	
5	09106-08178	BOLT (8X25)	4	
6	09116-08176	BOLT,EXH CTR SPRT	2	
7	09180-08152	SPACER (8.6X12X24.2)	2	
8	09320-12077	CUSHION (12X30X24)	2	
9	01550-0816B	BOLT	1	
10	01550-1030B	BOLT	1	
11	14781-25L00	COVER,CHAMBER	1	
12	14785-25L00	SHIELD,CHAMBER COV HEAT	1	
13	14786-25L00	SHIELD,CHAMBER COV HEAT NO.2	1	
14	14790-25L00	STAY,CHAMBER RR COV	1	
15	14795-10FA0	GROMMET	2	
16	09132-05068	SCREW,CHAMBER COV RR	2	
17	09139-06240	SCREW,MUF COV	1	
18	09180-06256	SPACER (6.5X9X5.7)	1	
19	09320-08066	CUSHION (8.4X18X6)	2	
20	14140-25L00	BRACKET,EXH COV	1	
21	14181-25L00	COVER,EXH PIPE	1	
22	14182-25L00	SHIELD,EXH COV HEAT	1	
23	14789-29F01	SCREW	2	
24	09139-06122	SCREW (6X10)	2	
25	14183-25L00	COVER,OXYGEN SENSOR	1	
26	09139-06122	SCREW (6X10)	1	
27	18213-25L40	SENSOR,OXYGEN	1	

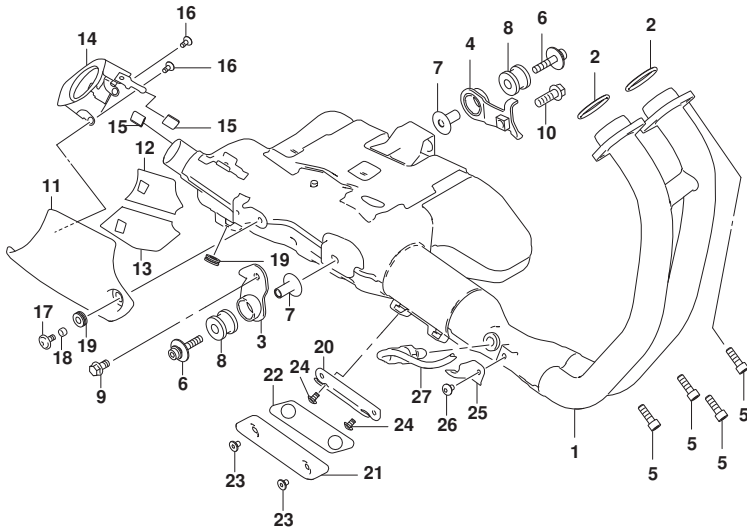


FIG.172A

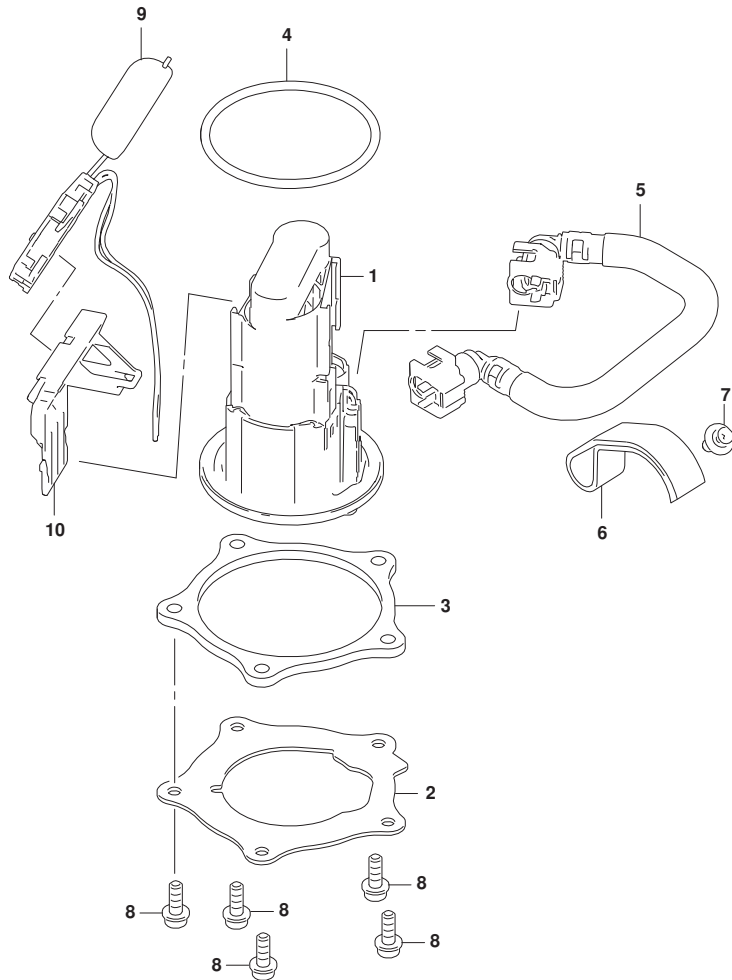


FIG.172A (1-C-5) FUEL PUMP

REF NO.	PART NO.	DESCRIPTION	Q'TY	REMARKS
1	15100-25L00	PUMP ASSY,FUEL	1	
2	15121-25L00	PLATE,FUEL PUMP OUTER	1	
3	15122-17K00	PLATE,FUEL PUMP INNER	1	
4	15201-07L00	O-RING	1	
5	15810-25L00	HOSE,FUEL	1	
6	15821-25L00	CLAMP,FUEL HOSE	1	
7	09409-06347	CLIP,FUEL HOSE CLAMP	1	
8	07120-0616A	BOLT	5	
9	34810-25L00	GAUGE ASSY,FUEL LEVEL SENDER	1	
10	34815-25L00	ATTACHMENT,FUEL LEVEL SENDER	1	

FIG.178A

FIG.178A (1-C-6) OIL COOLER

REF NO.	PART NO.	DESCRIPTION	Q'TY	REMARKS
1	16600-25L00	COOLER ASSY,OIL	1	
2	16611-48K00	O-RING,OIL COOLER	1	
3	07120-0620A	BOLT	4	
4	16461-25L00	HOSE,OIL COOLER WATER INLET	1	
5	16471-25L00	HOSE,OIL COOLER WATER OUTLET	1	
6	09401-16407	CLIP (ID:16.5)	4	

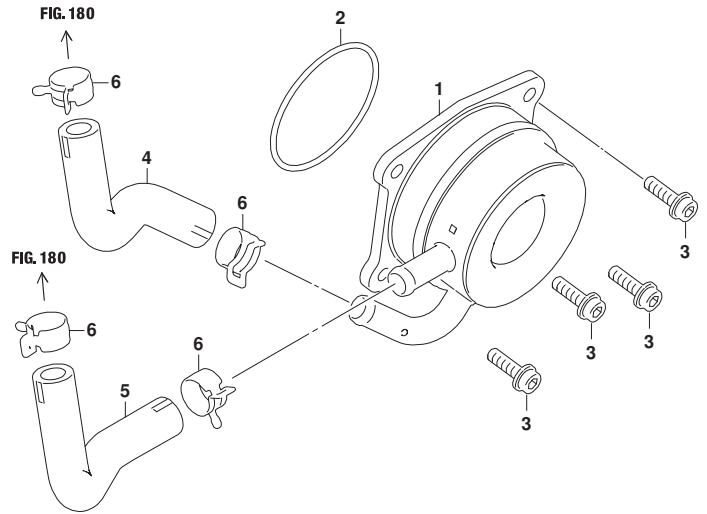


FIG.180A

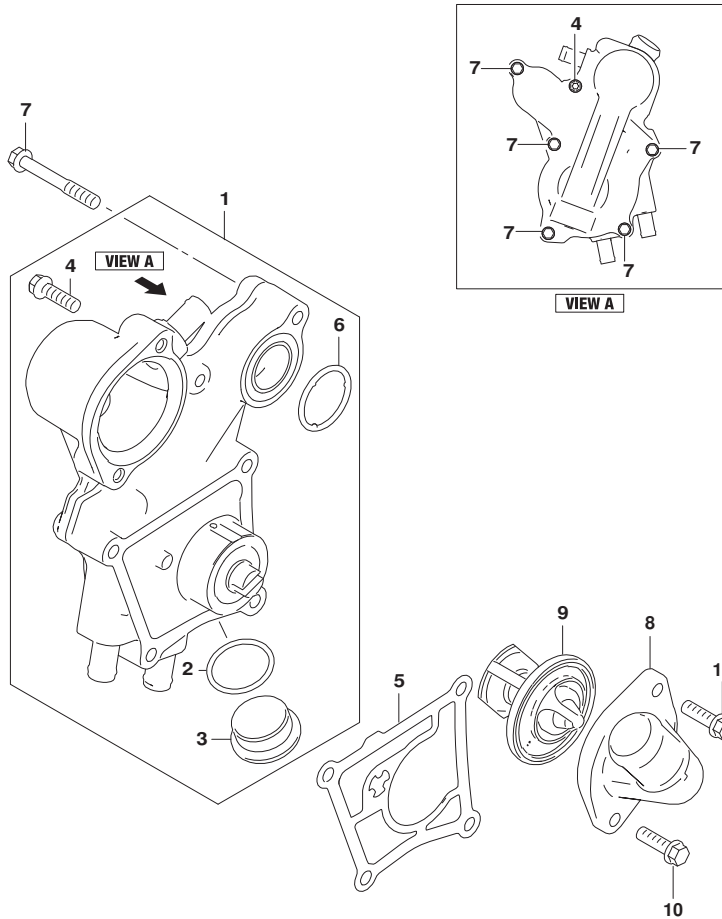


FIG.180A (1-C-7) WATER PUMP

REF NO.	PART NO.	DESCRIPTION	Q'TY	REMARKS
1	17400-25L00	PUMP ASSY,WATER	1	
2	11217-85FA0	.GASKET,PLUG (26.5X30.5X1)	1	
3	09248-26001	.PLUG (26X11)	1	
4	09103-06527	.BOLT (6X20)	1	
5	17421-25L00	GASKET,WATER PUMP	1	
6	17431-25L00	O-RING,WATER PUMP	1	
7	09103-06532	BOLT (L:45)	5	
8	17661-25L00	CAP,THERMOSTAT	1	
9	17670-81AB1	THERMOSTAT,WTR 82 DEG	1	
10	01547-0620A	BOLT	2	



FIG.185A

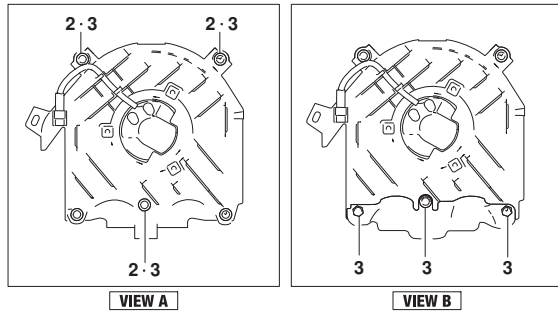


FIG.185A (1-C-8) RADIATOR

REF NO.	PART NO.	DESCRIPTION	Q'TY	REMARKS
1	17700-25L00	RADIATOR COMP	1	
2	17711-14G00	BOLT,FAN ASSY	6	
3	17802-14F00	NUT,RADIATOR FAN	3	
4	17810-25L00	SHROUD FAN ASSY	1	
5	17812-25L00	PLATE	1	
6	09320-10051	CUSHION	3	
7	17730-14G00	CAP,RADIATOR (1.1)	1	
8	17740-25L00	BRACKET,RADIATOR UPPER	1	
9	17750-25L00	BRACKET,RADIATOR LOWER	1	
10	09118-06097	BOLT (6X25)	3	
11	09180-06290	SPACER (6.5X10X12)	3	
12	09329-18001	CUSHION	4	
13	01550-0616A	BOLT	1	
14	02162-0612A	SCREW	2	

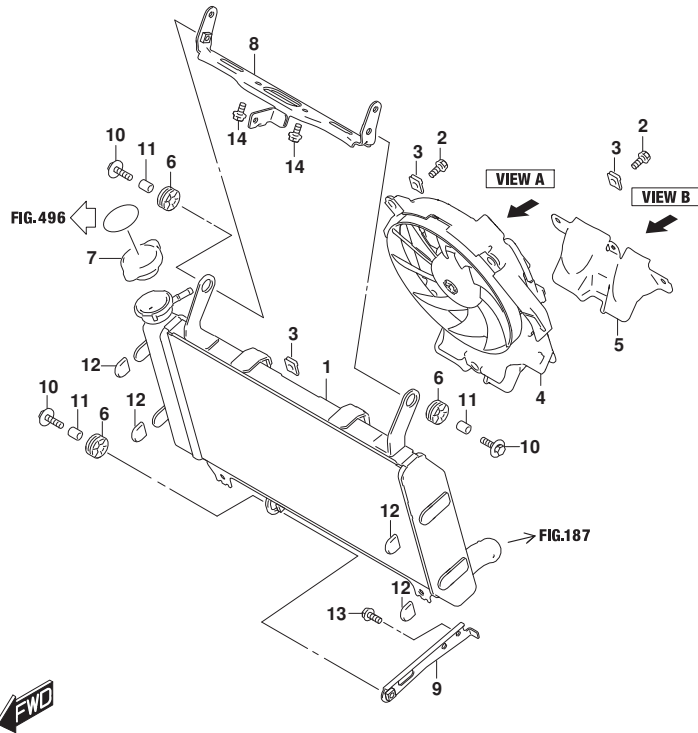


FIG.187A

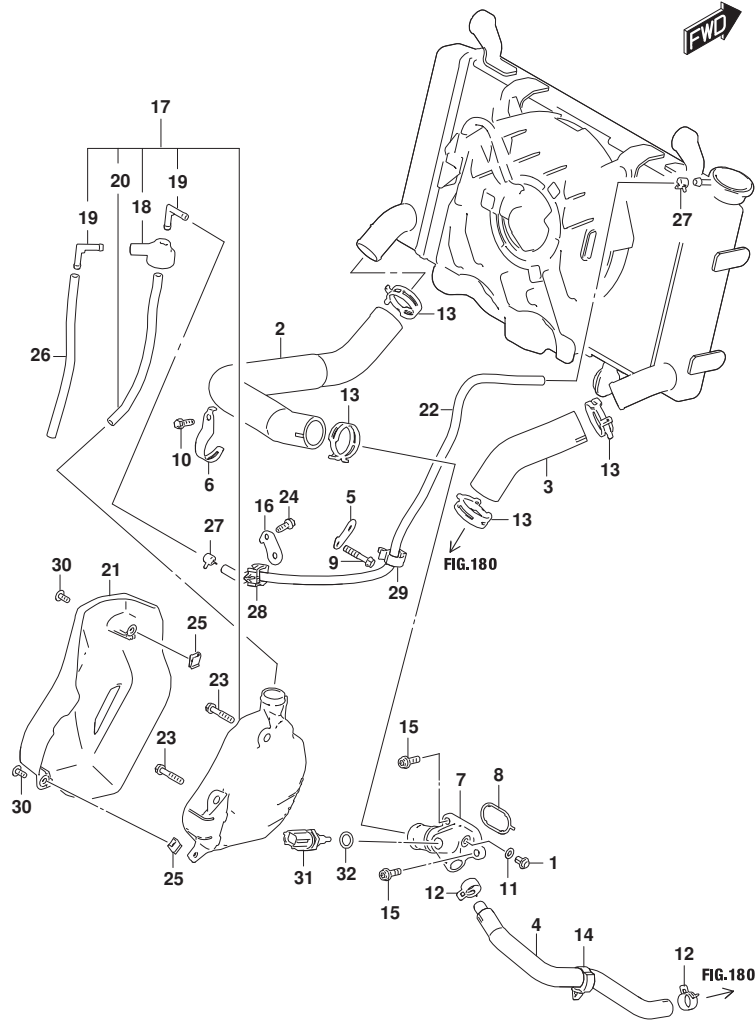


FIG.187A (1-C-9) RADIATOR HOSE

REF NO.	PART NO.	DESCRIPTION	Q'TY	REMARKS
1	17568-50F00	UNION BOLT,AIR VENT	1	
2	17851-25L00	HOSE,RDTR INLET	1	
3	17852-25L00	HOSE,RDTR OUTLET	1	
4	17853-25L00	HOSE,WATER BYPASS	1	
5	17855-25L00	BRACKET,HOSE CLAMP	1	
6	17856-25L00	CLAMP,RDTR INLET HOSE	1	
7	17860-25L00	CONNECTOR,WATER OUTLET	1	
8	17861-25L00	O-RING,WATER CONNECTOR	1	
9	09103-06525	BOLT (6X12)	1	
10	09135-06034	BOLT,HOSE BRACKET	1	
11	09168-06026	GASKET (6.4X11.5X0.84)	1	
12	09401-16407	CLIP (ID:16.5)	2	
13	09401-29001	CLAMP	4	
14	09403-20307	CLAMP	1	
15	07120-0620A	BOLT	2	
16	17855-25L00	BRACKET,HOSE CLAMP	1	
17	17910-25L00	TANK ASSY,RESERVOIR	1	
18	17931-25L00	.CAP,WATER RESERVOIR TANK	1	
19	17934-25L00	.PIPE,RSVR TANK CAP	2	
20	17935-25L00	.HOSE,RSVR TANK CAP	1	
21	17913-25L00	COVER,RESERVOIR TANK	1	
22	17981-25L00	HOSE,RSVR TANK INLET	1	
23	09103-06525	BOLT (6X12)	1	
24	09135-06034	BOLT,HOSE BRACKET	2	
25	09148-05038	NUT (M5)	2	
26	09352-50901-600	HOSE (5X9X600)	1	
27	09401-08411	CLIP (ID:8.6)	2	
28	09403-11330	CLAMP,RSVR HOSE NO.2	1	
29	09403-17403	CLAMP	1	
30	03541-0512C	SCREW	2	
31	13650-49X00	SENSOR,TEMP	1	
32	09168-12017	GASKET (12X17X1)	1	

FIG.189A

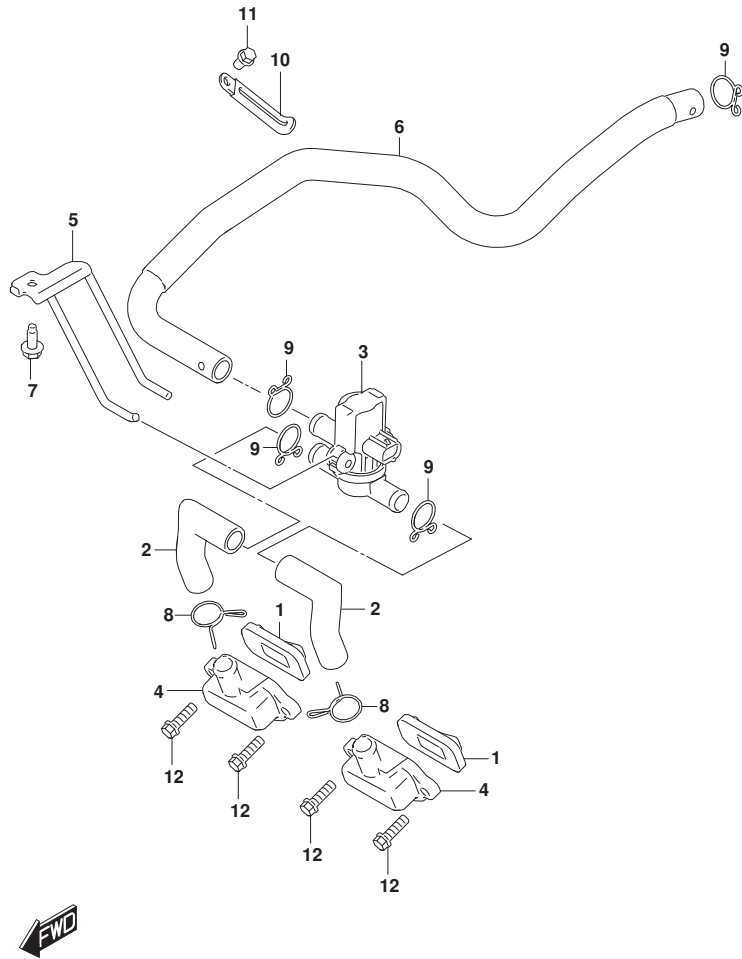


FIG.189A (1-C-10) 2ND AIR

REF NO.	PART NO.	DESCRIPTION	QTY	REMARKS
1	18450-28K00	VALVE ASSY,OIL REED	2	
2	18461-25L00	HOSE,2ND AIR VALVE	2	
3	18510-29G31	VALVE ASSY,AIR CUT	1	
4	18531-25L00	COVER,2ND AIR REED VALVE	2	
5	18610-25L00	BRACKET,2ND AIR VALVE	1	
6	18710-25L00	HOSE,2ND AIR CLNR	1	
7	09135-06027	BOLT (6X16)	1	
8	09401-17201	CLIP	2	
9	09401-18101	CLIP	4	
10	09404-06038	CLAMP (L:65)	1	
11	01547-0610A	BOLT	1	
12	01547-0620A	BOLT	4	

FIG.201A

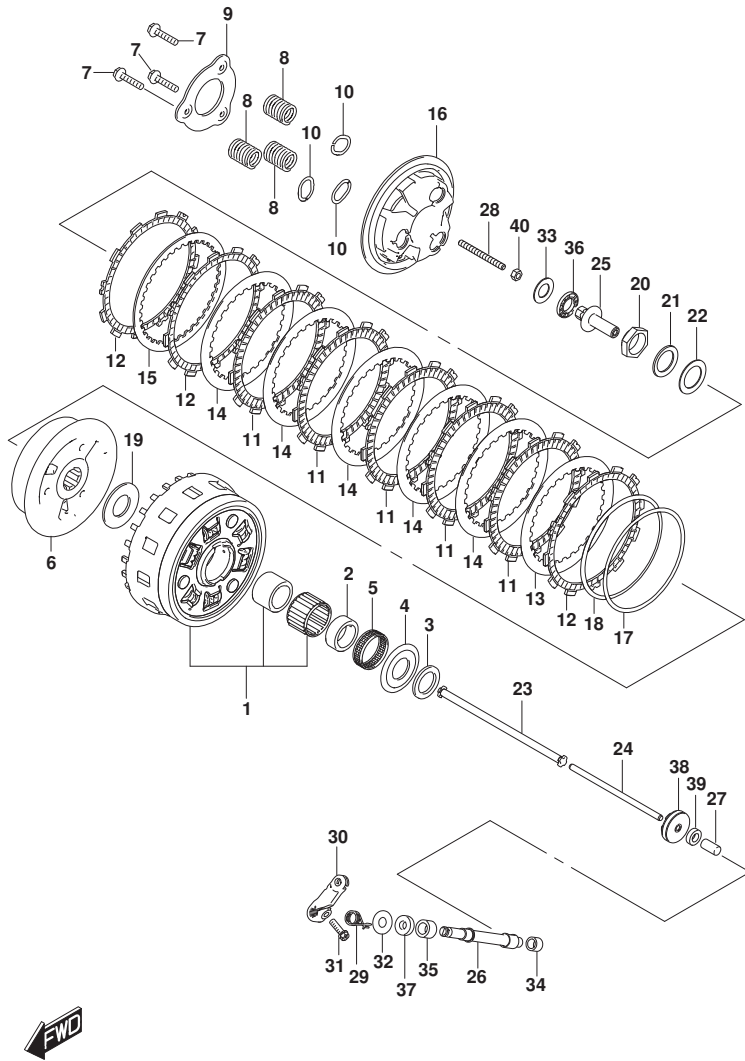


FIG.201A (1-C-11) CLUTCH

REF NO.	PART NO.	DESCRIPTION	Q'TY	REMARKS
1	21200-25810	GEAR ASSY,PRI DRIVEN	1	
2	21253-01H10	SPACER,OIL PUMP DRIVE SPROCKET	1	
3	09160-25036	WASHER,25X30X3 (25X30X3)	1	
4	09160-25073	WASHER (25X54X2.4)	1	
5	09263-35045	BEARING (35X40X12)	1	
6	21411-25L00	HUB,CLUTCH SLEEVE	1	
7	21412-31J00	BOLT,CLUTCH SPRING	3	
8	21413-25L00	SPRING,CLUTCH	3	
9	21414-25L00	PLATE,STOPPER	1	
10	21415-31J00	SEAT,CLUTCH SPRING	3	
11	21441-36F50	PLATE,CLUTCH DRIVE NO.1 (T:2.8	5)
12	21442-41G20	PLATE,CLUTCH DRIVE NO.2 (T:2.8	3)
13	21451-25L10	PLATE,CLUTCH DRIVEN NO.2	1	
14	21451-41G30	PLATE,CLUTCH DRIVEN (T:1.6)	5	
15	21452-25L00	PLATE,CLUTCH DRIVEN NO.3	1	
16	21462-25L00	DISC,CLUTCH PRESSURE	1	
17	21471-41G00	SEAT,WAVE WASHER	1	
18	21472-41G20	WASHER,CLUTCH PLATE WAVE	1	
19	09160-25056	WASHER (25X50X2.5)	1	
20	09159-24010	NUT	1	
21	09164-24008	WASHER (24.2X35X2.7)	1	
22	09181-25223	SHIM (25X38X1)	1	
23	23110-38B00	ROD,CLUTCH PUSH,R	1	
24	23111-25L00	ROD,CLUTCH PUSH,L	1	
25	23121-25L00	PIECE,CLUTCH PUSH	1	
26	23122-25L00	CAMSHAFT,CLUTCH RELEASE	1	
27	23123-41G00	CAP,CLUTCH PUSH ROD	1	
28	23124-25L00	SCREW,CLUTCH PUSH ROD	1	
29	23125-44G00	SPRING,CLUTCH RELEASE RETURN	1	
30	23271-41G00	ARM,CLUTCH RELEASE	1	
31	09103-06527	BOLT (6X20)	1	
32	09160-10020	WASHER (10.5X24X1.0)	1	
33	09160-15045	WASHER (15.5X28X1)	1	

FIG.201A

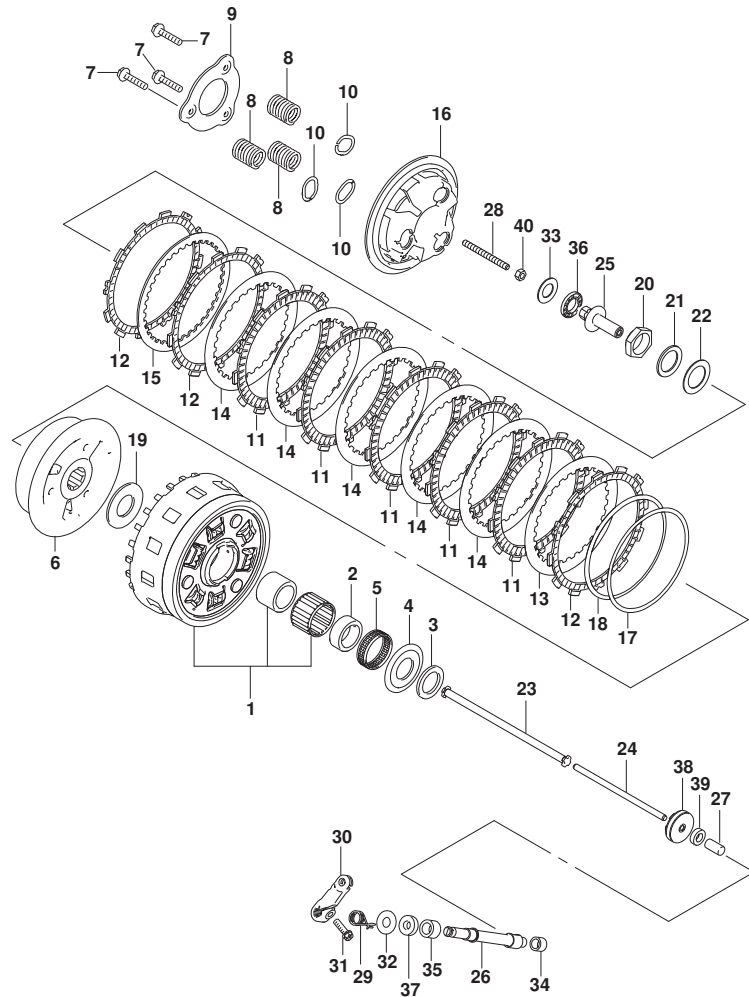


FIG.201A (1-C-12) CLUTCH

REF NO.	PART NO.	DESCRIPTION	Q'TY	REMARKS
34	09263-10014	BEARING (10X14X10)	1	
35	09263-12027	BEARING (12X18X12)	1	
36	09263-15003	BEARING (15X28X2)	1	
37	09282-10012	SEAL,OIL (10X20X6)	1	
38	09283-06013	SEAL,OIL	1	
39	09285-10004	SEAL,OIL (10X17X5)	1	
40	08310-0006A	NUT	1	



FIG.206A

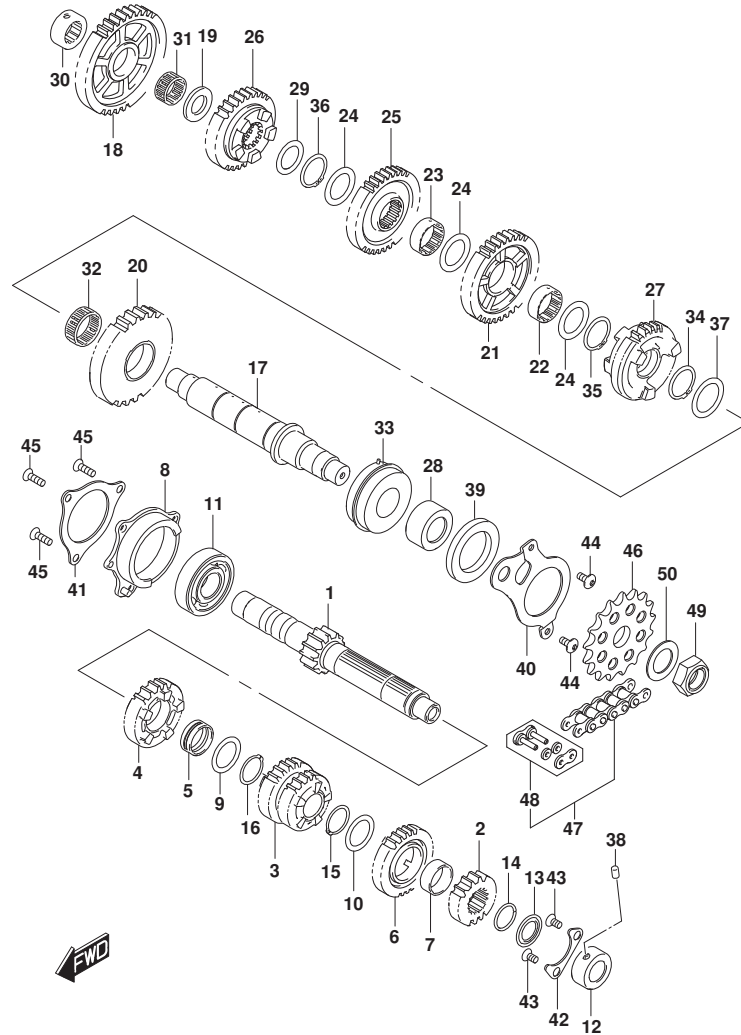


FIG.206A (1-C-13) TRANSMISSION

REF NO.	PART NO.	DESCRIPTION	Q'TY	REMARKS
1	24120-25L00	SHAFT,CNTR	1	
2	24221-25L00	GEAR,2ND DRIVE	1	
3	24231-25L00	GEAR,3RD & 4TH DRIVE	1	
4	24251-25L00	GEAR,5TH DRIVE	1	
5	24252-35F00	BUSH,5TH DRIVE GEAR	1	
6	24261-25L00	GEAR,6TH DRIVE	1	
7	24262-35F10	BUSH,6TH DRIVE GEAR	1	
8	24770-18H10	HOUSING,CNTR SHAFT BRG,R	1	
9	09160-27008	WASHER (27X36X1.0)	1	
10	09167-27001	WASHER (27X36X1)	1	
11	09262-25073	BEARING (25X62X17)	1	
12	09263-20123	BEARING	1	
13	09285-20006	SEAL,OIL (20X31.2X2.7)	1	
14	09380-27004	CIRCLIP	1	
15	09380-27006	CIRCLIP	1	
16	09380-27006	CIRCLIP	1	
17	24131-25L00	SHAFT,DRIVE	1	
18	24311-25L00	GEAR,1ST DRIVEN	1	
19	24315-25L00	SPACER,1ST DRIVEN GEAR,R	1	
20	24321-25L00	GEAR,2ND DRIVEN	1	
21	24331-25L00	GEAR,3RD DRIVEN	1	
22	24332-24F20	BUSH,3RD DRIVEN GEAR	1	
23	24332-24F20	BUSH,3RD DRIVEN GEAR	1	
24	24333-47H00	WASHER,3RD & 4TH DRIVEN GEAR	3	
25	24341-25L00	GEAR,4TH DRIVEN	1	
26	24351-25L00	GEAR,5TH DRIVEN	1	
27	24361-25L00	GEAR,6TH DRIVEN	1	
28	27531-25L00	SPACER,ENGINE SPROCKET	1	
29	09181-24005	SHIM (24X34X1)	1	
30	09263-20087	BEARING (20X34X13.5)	1	
31	09263-24030	BEARING (24X28X13)	1	
32	09263-30018	BEARING (30X35X12.8)	1	
33	09267-30011	BEARING (30X62X23.8)	1	
34	09380-30009	CIRCLIP	1	
35	09380-30009	CIRCLIP	1	

FIG.206A

FIG.206A (1-C-14) TRANSMISSION

REF NO.	PART NO.	DESCRIPTION	Q'TY	REMARKS
36	09380-30009	CIRCLIP	1	
37	09181-30167	SHIM,30X40X1 (30X40X1)	1	
38	09261-06003	PIN (6X10)	1	
39	09283-42018	SEAL,OIL (42X62X7)	1	
40	24741-25L00	RETAINER,CL PUSH ROD OIL SEAL	1	
41	24751-18H00	RETAINER,CNTR SHAFT BRG,R	1	
42	24751-25L00	RETAINER,COUNTER SHAFT BRG,L	1	
43	09126-06011	SCREW (6X12)	2	
44	09139-06153	SCREW (6X13)	2	
45	09139-06159	SCREW (6X20)	3	
46	27511-20A21	SPROCKET,ENGINE (NT:17)	1	
47	27600-06G40-120	CHAIN ASSY,DRIVE (RK525SMOZ8)	1	
48	27620-06G40	.JOINT SET,DRIVE CHAIN	1	
49	09159-20004	NUT	1	
50	09181-25268	SHIM (25X40X1.5)	1	

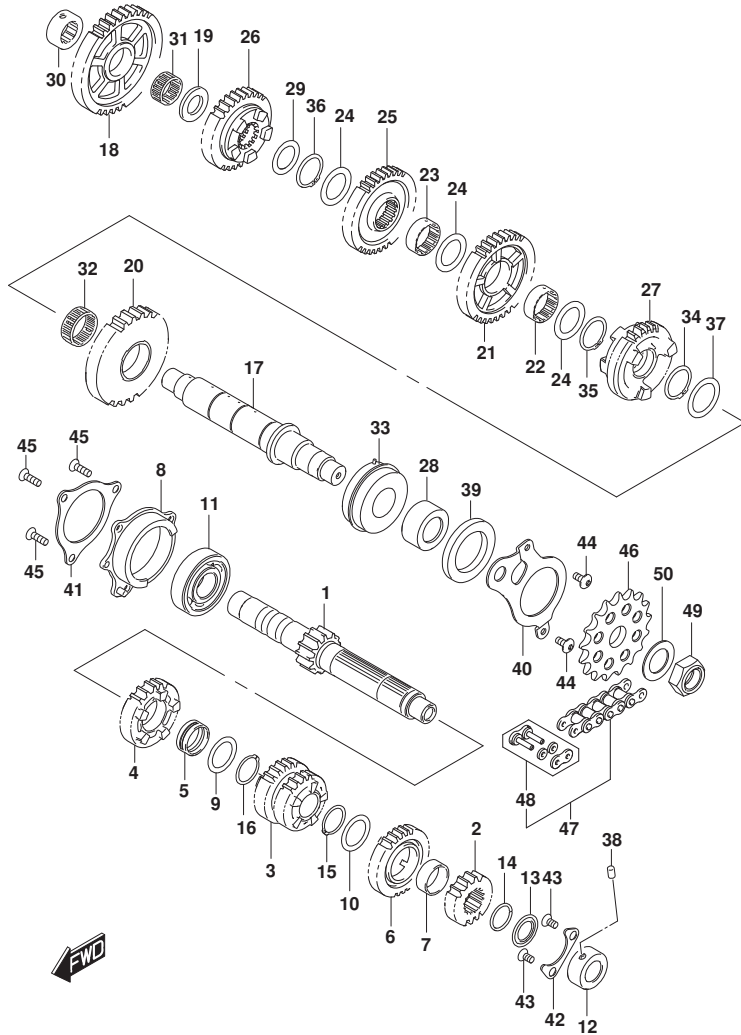


FIG.212A

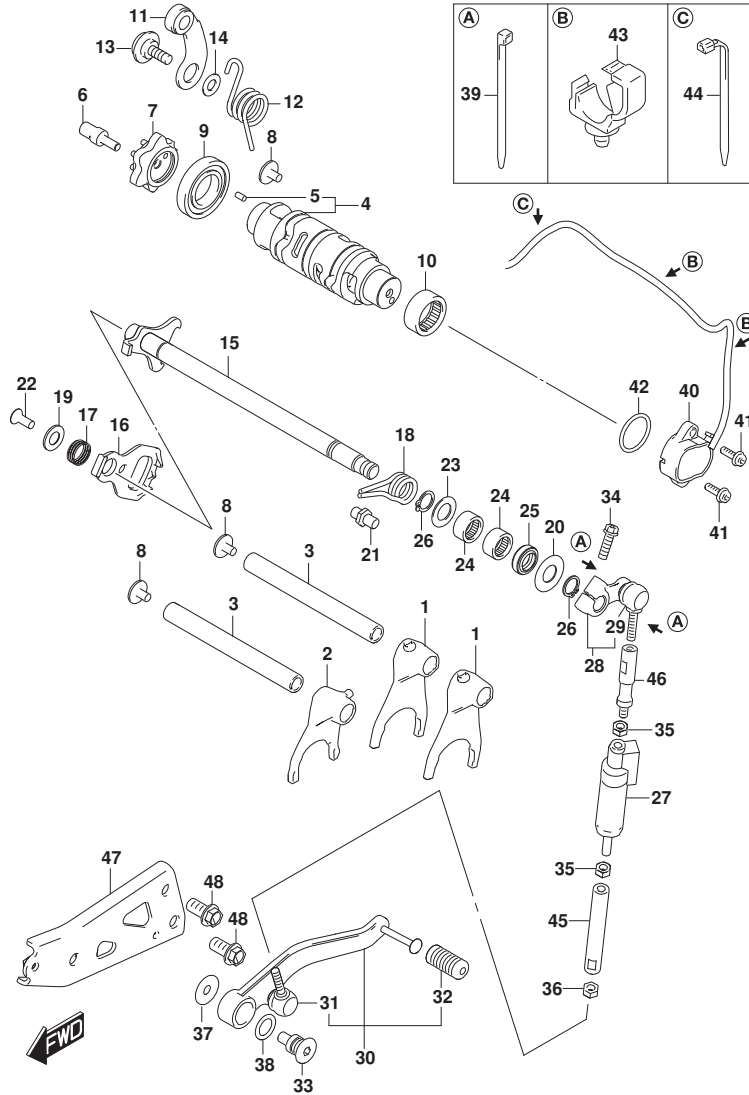


FIG.212A (1-C-15) GEAR SHIFTING

REF NO.	PART NO.	DESCRIPTION	Q'TY	REMARKS
1	25211-01H11	FORK,GEAR SHIFT NO.1	2	
2	25231-25L00	FORK,GEAR SHIFT NO.3	1	
3	25411-24F00	SHAFT,SHIFT FORK NO.2 (L:132)	2	
4	25310-25L00	CAM,GEAR SHIFT	1	
5	04221-04089	.PIN (4X13.8)	1	
6	25312-17K00	BOLT,GEAR SHIFT CAM PLATE	1	
7	25381-17K00	PLATE,GEAR SHIFT CAM	1	
8	09136-06147	SCREW (6X12)	3	
9	09262-25006	BEARING (25X47X8)	1	
10	09263-25018	BEARING (25X32X12)	1	
11	25350-06G00	STOPPER,SHIFT CAM	1	
12	25355-18H00	SPRING,GEAR SHIFT CAM STOPPER	1	
13	09111-06041	BOLT (6X14.3)	1	
14	08211-06141	WASHER	1	
15	25510-25L00	SHAFT,GEAR SHIFT	1	
16	25512-06G20	PLATE,GEAR SHIFT CAM DRIVE	1	
17	25518-01H00	SPRING,GEAR SHIFT PLATE RETURN	1	
18	25518-06L00	SPRING,GEAR SHIFT SHAFT RETURN	1	
19	25519-01H00	WASHER,GEAR SHIFT SHAFT END	1	
20	25519-25L00	WASHER,GEAR SHIFT SHAFT,L	1	
21	25671-01011	STOPPER,GEAR SHIFT ARM	1	
22	09126-06014	SCREW (6X16)	1	
23	09181-14195	SHIM (14X24X1)	1	
24	09263-14027	BEARING (14X20X12)	2	
25	09283-14005	SEAL,OIL (14X22X7.3)	1	
26	08331-3114A	CIRCLIP	2	
27	25500-25L00	SENSOR ASSY,GEAR SHIFT	1	
28	25520-01H11	ARM,GEAR SHIFT LINK	1	
29	25526-01H00	.DUST COVER	1	
30	25600-25L00	LEVER ASSY,GEAR SHIFT	1	
31	25526-01H00	.DUST COVER	1	
32	25652-20C00	.RUBBER,GEAR SHIFT PEDAL	1	
33	25617-18H00	BOLT,GEAR SHIFT LEVER	1	
34	09103-06528	BOLT (6X25)	1	
35	09140-06020	NUT	2	

FIG.212A

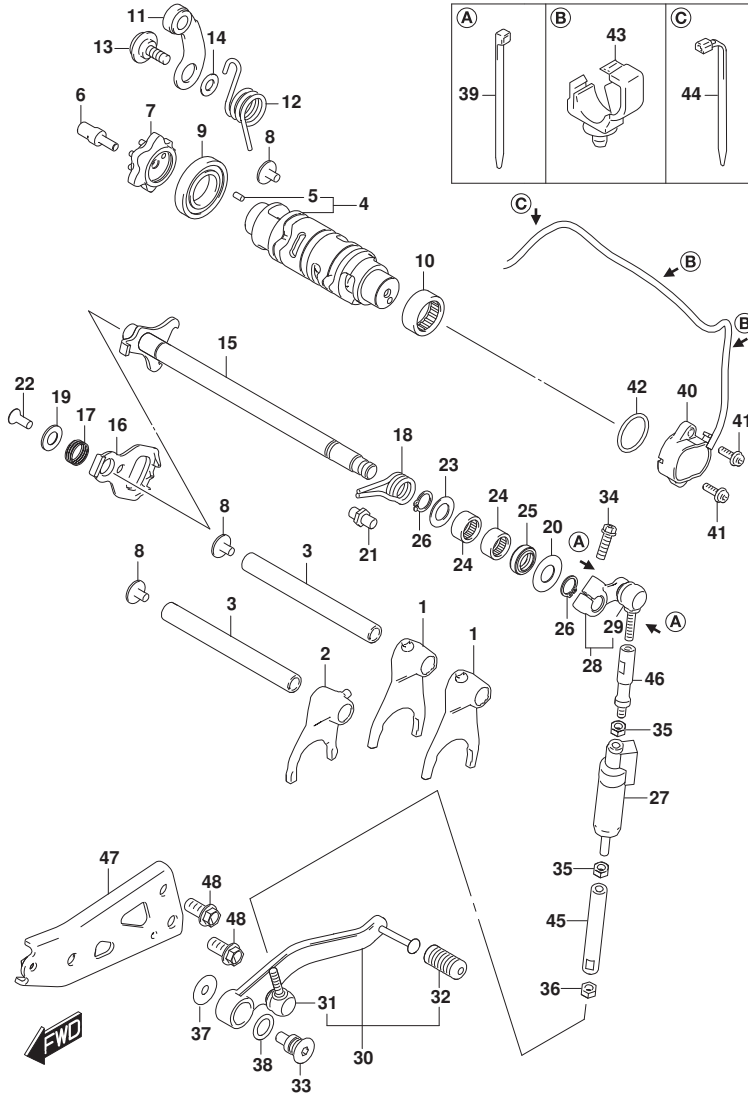


FIG.212A (1-C-16) GEAR SHIFTING

REF NO.	PART NO.	DESCRIPTION	Q'TY	REMARKS
36	09140-06025	NUT	1	
37	09160-10144	WASHER (10X30X2.5)	1	
38	09160-18037	WASHER,18X26X1 (18X26X1)	1	
39	09407-14407	CLAMP (L:145)	1	
40	37730-48K10	SENSOR ASSY,GEAR POSITION	1	
41	09106-05023	BOLT (5X16)	2	
42	09280-26005	O-RING (D:2.4, ID:26.2)	1	
43	09403-20311	CLAMP,GEAR SHIFT SW	2	
44	09407-14403	CLAMP (L:125)	1	
45	25525-25L00	ROD,GEAR SHIFT LINK	1	
46	25526-25L00	ROD,GEAR SHIFT LINK NO.2	1	
47	25680-25L00	BRACKET,GEAR SHIFT LEVER	1	
48	09103-10394	BOLT (10X20)	2	

FIG.301A

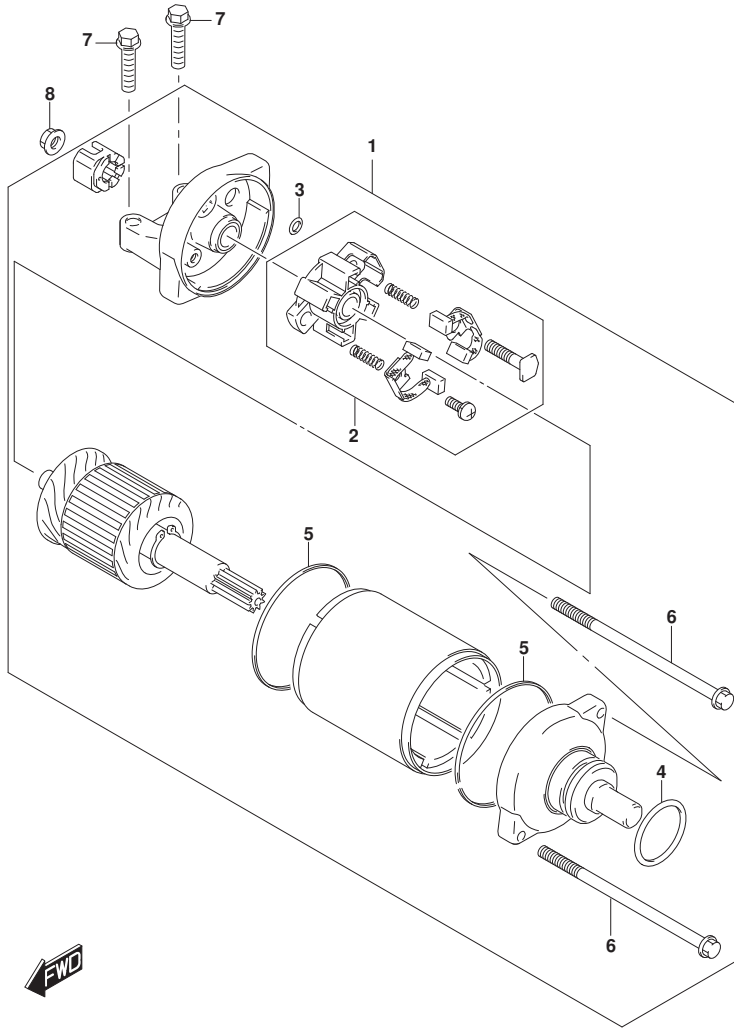


FIG.301A (1-D-2) STARTING MOTOR

REF NO.	PART NO.	DESCRIPTION	Q'TY	REMARKS
1	31100-25L00	MOTOR ASSY,STARTING	1	
2	31132-18H00	.BRUSH HOLDER SET	1	
3	31143-49040	.O-RING	1	
4	31156-98E00	.O-RING (D:3.1,ID:24.4)	1	
5	31264-38F10	.SQUARE RING	2	
6	31280-19F10	.BOLT SET	2	
7	01547-0625A	BOLT	2	
8	08361-3506A	NUT	1	

FIG.303A

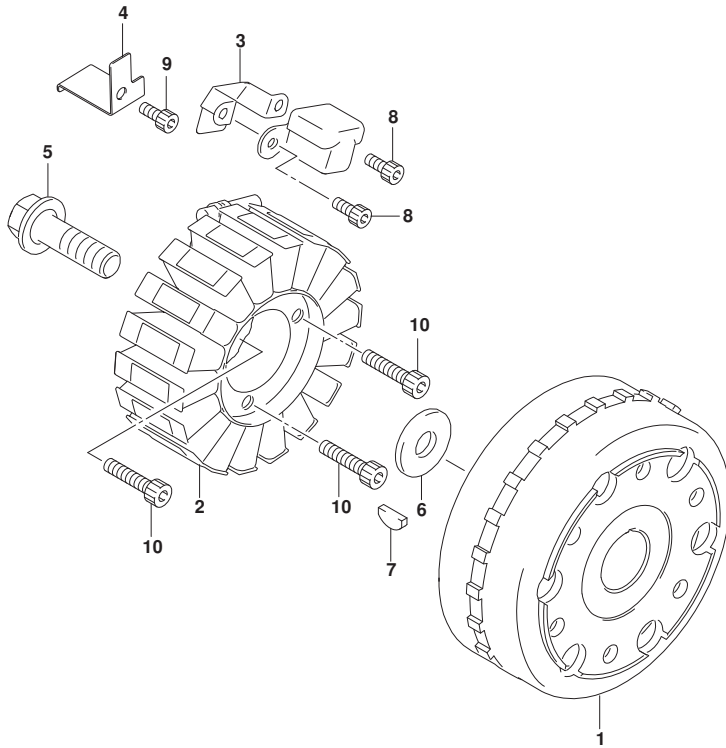


FIG.303A (1-D-3) MAGNETO

REF NO.	PART NO.	DESCRIPTION	Q'TY	REMARKS
1	32101-25L00	STATOR ASSY,MAGNETO	1	
2	32102-25L00	ROTOR ASSY,MAGNETO	1	
3	32155-25L00	CLAMP,PULSER COIL LEAD	1	
4	32371-25L00	CLAMP,MAGNETO LEAD	1	
5	09103-12146	BOLT,MAGNETO ROTOR	1	
6	09160-12036	WASHER (12X30X3.0)	1	
7	09420-04008	KEY (B:4,D:16,H6.5)	1	
8	07130-0512A	BOLT	2	
9	07130-0512A	BOLT	1	
10	07130-0635A	BOLT	3	

FIG.310A

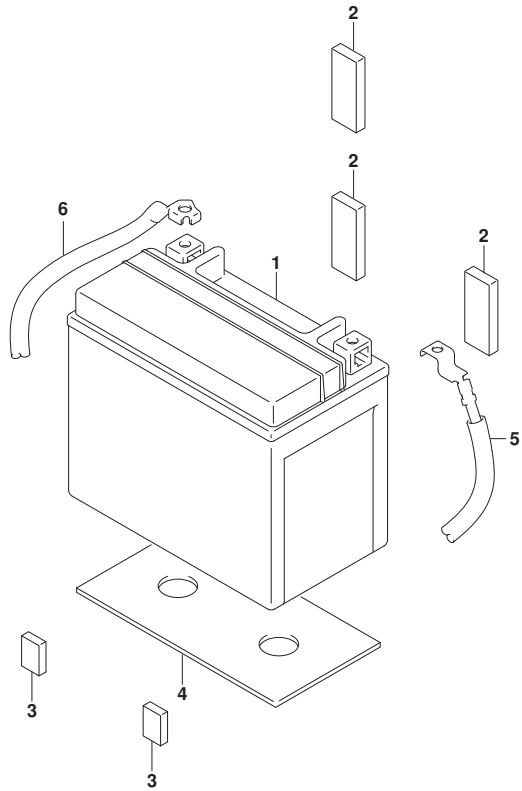


FIG.310A (1-D-4) BATTERY

REF NO.	PART NO.	DESCRIPTION	Q'TY	REMARKS
1	33630-33E01	BATTERY ASSY	1	
2	33652-20C10	CUSHION,BATTERY	3	
3	33652-25L00	CUSHION,BATTERY	2	
4	63113-15H10	CUSHION,BATTERY	1	
5	33810-25L00	WIRE,STARTER MOTOR LEAD	1	
6	33820-25L00	WIRE,BATTERY PLUS LEAD	1	



FIG.311A



FIG.311A (1-D-5) STARTOR RELAY

REF NO.	PART NO.	DESCRIPTION	Q'TY	REMARKS
1	31800-06G02	RELAY ASSY,STARTING MOTOR	1	
2	09481-30101	.FUSE (30A)	2	
3	31861-47E00	.COVER	1	
4	09128-06013	SCREW (6X8)	2	

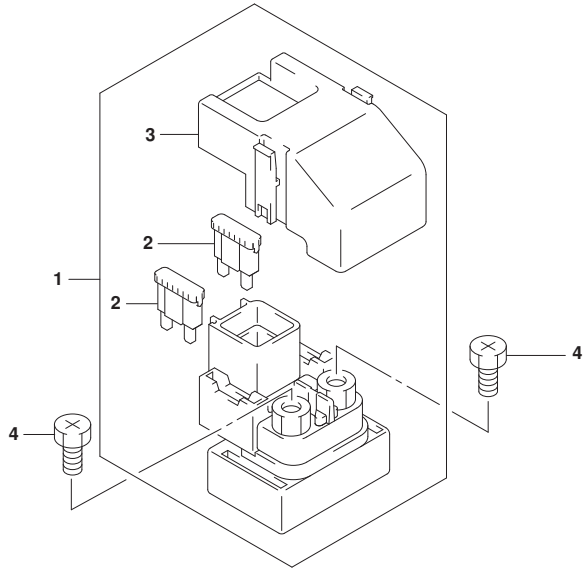


FIG.313A

FIG.313A (1-D-6) RECTIFIER

REF NO.	PART NO.	DESCRIPTION	Q'TY	REMARKS
1	32800-26J10	RECTIFIER ASSY	1	
2	09169-06032	WASHER	2	
3	01550-0625A	BOLT (6X25)	2	
4	08316-1006A	NUT (6X12)	2	

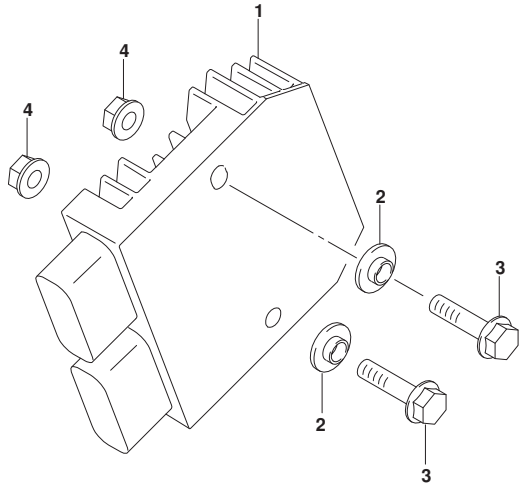


FIG.316A



FIG.316A (1-D-7) IGNITION COIL

REF NO.	PART NO.	DESCRIPTION	Q'TY	REMARKS
1	33410-38H10	COIL ASSY,IGNITION	2	

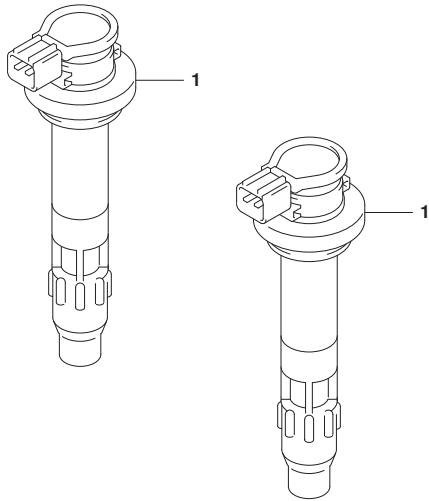


FIG.322A

FIG.322A (1-D-8) ELECTRIC POWER CONTROL UNIT

REF NO.	PART NO.	DESCRIPTION	Q'TY	REMARKS
1	32910-06L00	ECM,BLANK	1	
2	33651-37000	PROTECTOR (170X95X3.0)	2	
3	33652-39000	PROTECTOR,BATTERY (30X25X3)	1	
4	33960-06G10	SENSOR ASSY,FUEL CUT	1	

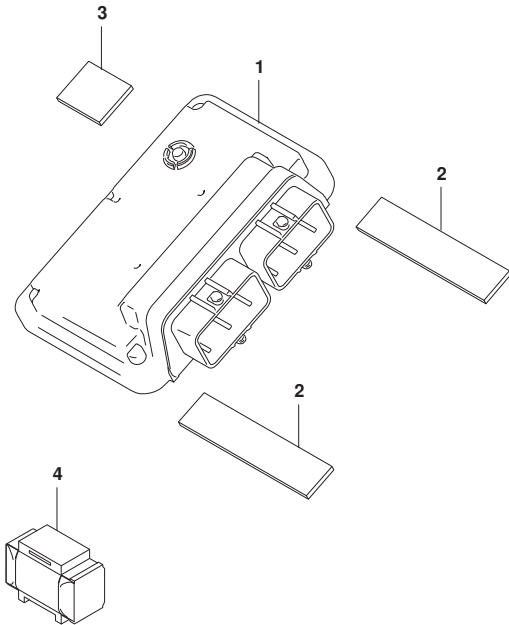


FIG.330A



FIG.330A (1-D-9) SPEEDOMETER

REF NO.	PART NO.	DESCRIPTION	Q'TY	REMARKS
1	34100-25L00	SPEEDOMETER ASSY	1	
2	34187-48K01	SPACER, SPEEDOMETER	4	
3	34955-10L10	CUSHION, SPEEDOMETER	4	
4	34186-25L00	BOLT, SPEEDOMETER	4	
5	09160-05051	WASHER, 5.5X20X1.2 (5.5X20X1.2)	4	

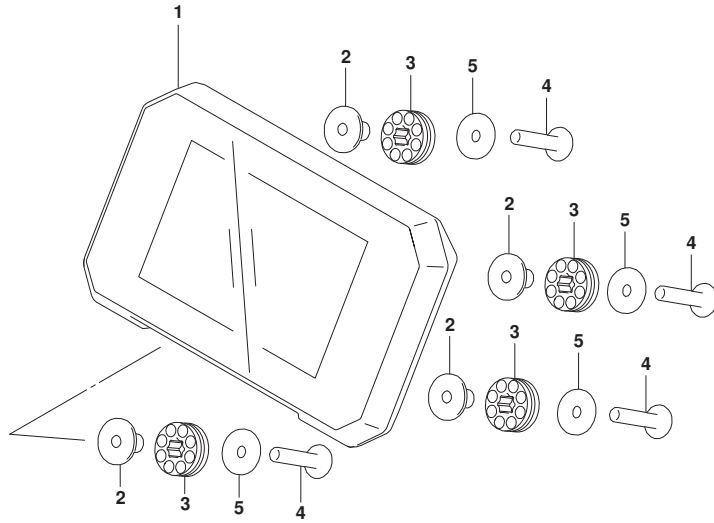


FIG.333A

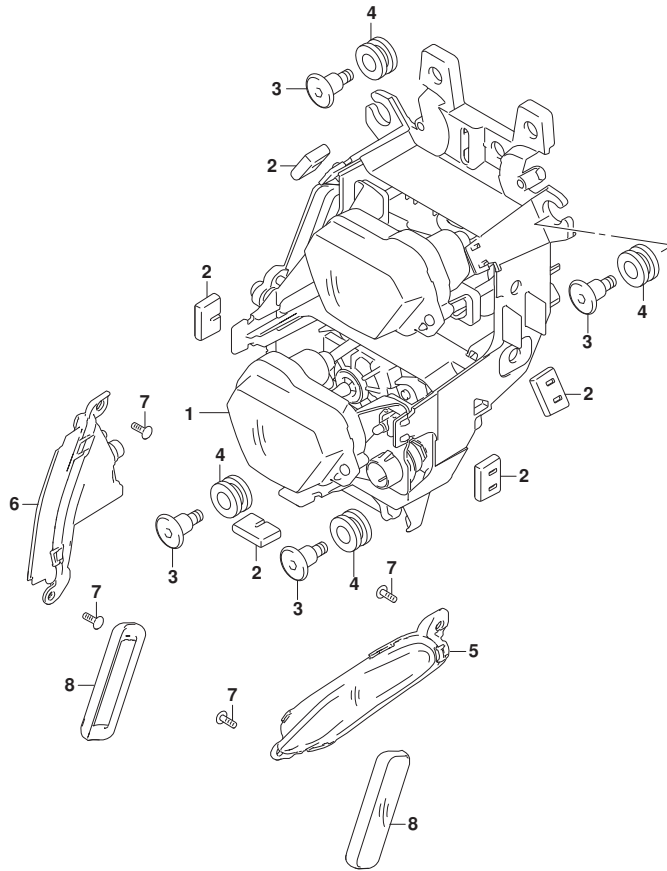


FIG.333A (1-D-10) HEADLAMP

REF NO.	PART NO.	DESCRIPTION	Q'TY	REMARKS
1	35100-48K02	HEADLAMP ASSY	1	
2	35781-17K00	CUSHION	5	
3	09139-06206	SCREW (6X20)	4	
4	09320-09501	CUSHION (9X18X10)	4	
5	36101-25L00	LAMP ASSY,FRONT POSITION,R	1	
6	36102-25L00	LAMP ASSY,FRONT POSITION,L	1	
7	03541-0516A	SCREW	4	
8	35950-25LA0	REFLEX REFLECTOR,FR SIDE	2	



FIG.334A

FIG.334A (1-D-11) TURNSIGNAL LAMP

REF NO.	PART NO.	DESCRIPTION	Q'TY	REMARKS
1	35601-25L20	LAMP ASSY,FRONT TURNSIGNAL,R	1	
2	35610-25L00	.LENS	1	
3	35222-34J80	.BULB (12V10W,AMBER)	1	
4	35602-25L20	LAMP ASSY,FRONT TURNSIGNAL,L	1	
5	35630-25L00	.LENS	1	
6	35222-34J80	.BULB (12V10W,AMBER)	1	
7	09169-06100	WASHER,FRONT TURNSIGNAL	2	
8	08316-1006A	NUT (6X12)	2	
9	35603-25L20	LAMP ASSY,REAR TURNSIGNAL,R	1	
10	35630-25L00	.LENS	1	
11	35222-34J80	.BULB (12V10W,AMBER)	1	
12	35604-25L20	LAMP ASSY,REAR TURNSIGNAL,L	1	
13	35610-25L00	.LENS	1	
14	35222-34J80	.BULB (12V10W,AMBER)	1	
15	09169-06100	WASHER,FRONT TURNSIGNAL	2	
16	08316-1006A	NUT (6X12)	2	
17	38610-23K00	RELAY ASSY,TURNSIGNAL	1	

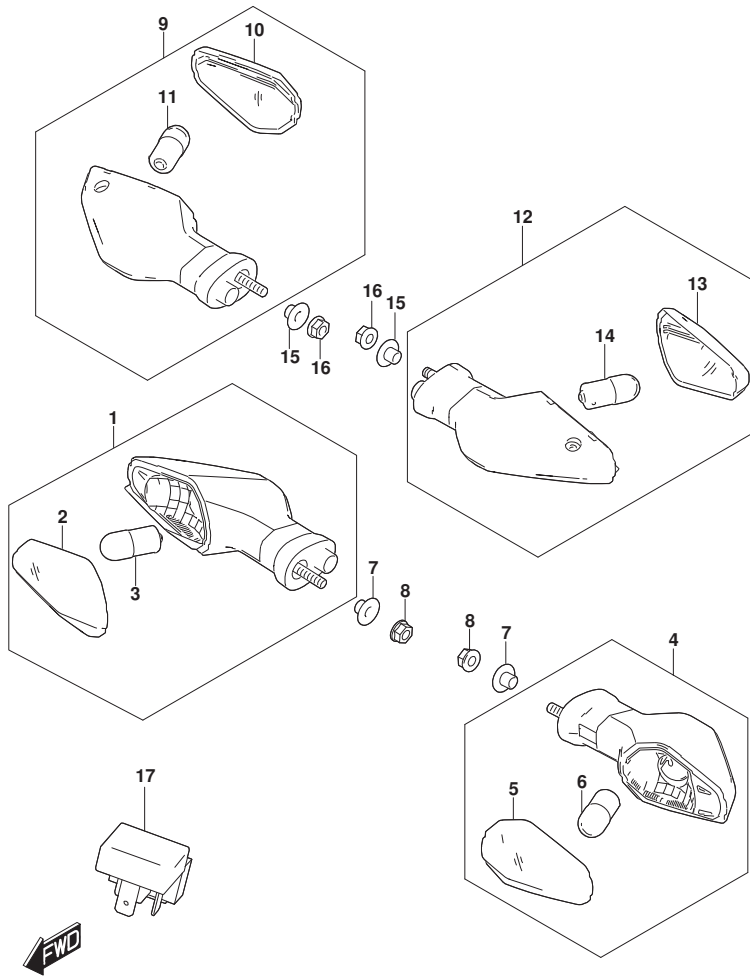


FIG.339A

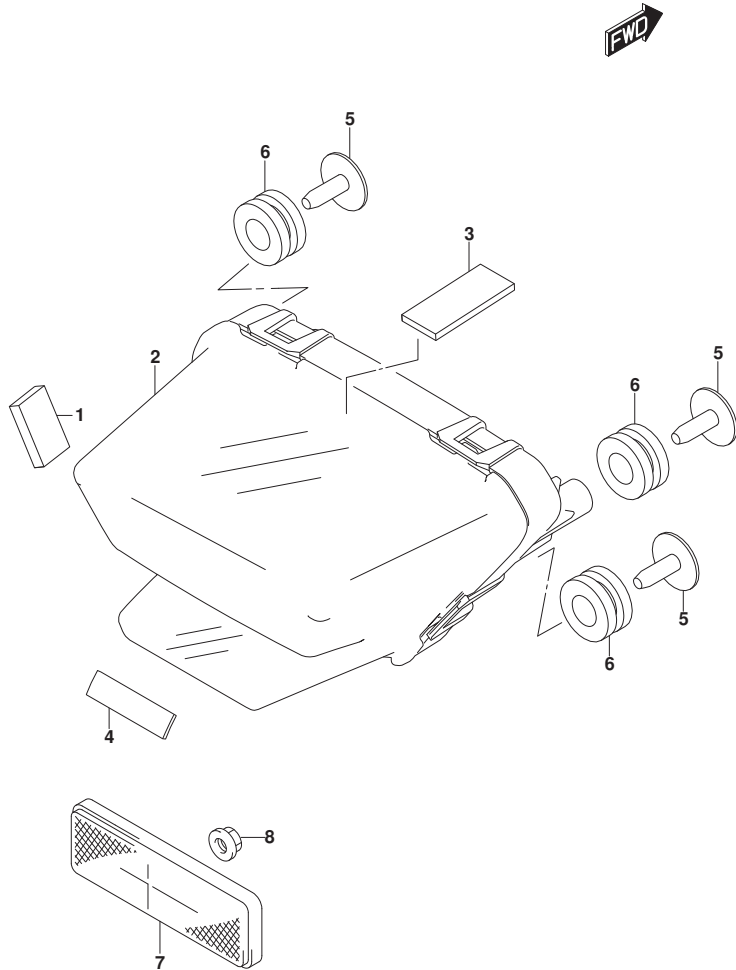


FIG.339A (1-D-12) REAR COMBINATION LAMP

REF NO.	PART NO.	DESCRIPTION	Q'TY	REMARKS
1	33972-31D00	CUSHION (10X16X3)	2	
2	35710-25L00	LAMP ASSY,REAR COMB	1	
3	44292-10L00	CUSHION,FUEL TANK COVER RR	1	
4	94675-07L00	CUSHION (6X25X1)	1	
5	09136-05062	SCREW (5X15)	3	
6	09320-10073	CUSHION	3	
7	35970-07F01	REFLECTOR ASSY,RR	1	
8	08319-3105A	NUT	1	

FIG.350A

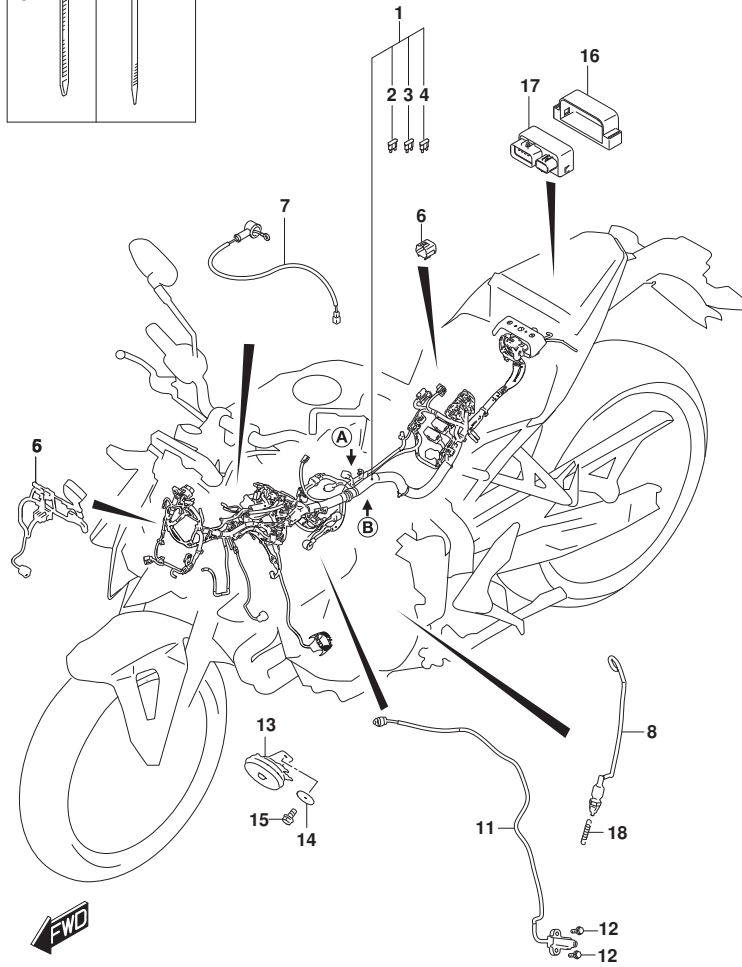
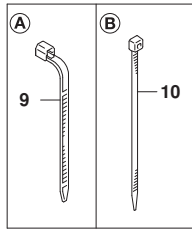


FIG.350A (1-D-13) WIRING HARNESS

REF NO.	PART NO.	DESCRIPTION	Q'TY	REMARKS
1	36610-25L00	HARNESS,WIRING NO.1	1	
2	09481-10501	.FUSE (10A)	5	
3	09481-15101	.FUSE (15A)	3	
4	09481-20501	.FUSE (20A)	1	
5	36620-25L00	HARNESS,WIRING NO.2	1	
6	36654-28K00	CAP,OBD CONNECTOR	1	
7	36851-25L00	WIRE,OIL PRESSURE SW LEAD	1	
8	37740-25L10	SWITCH ASSY,STOP LAMP	1	
9	09407-10403	CLAMP (L:95)	2	
10	09407-14407	CLAMP (L:145)	1	
11	37840-25L00	SWITCH ASSY,SIDE STAND	1	
12	01550-0620B	BOLT	2	
13	38500-48H31	HORN ASSY	1	
14	09160-08159	WASHER,8.5X30X2.3 (8.5X30X2.3)	1	
15	01550-0816B	BOLT	1	
16	36744-06L00	HOLDER,RELAY	1	
17	38860-06L00	RELAY ASSY	1	
18	09443-06016	SPRING	1	

FIG.352A

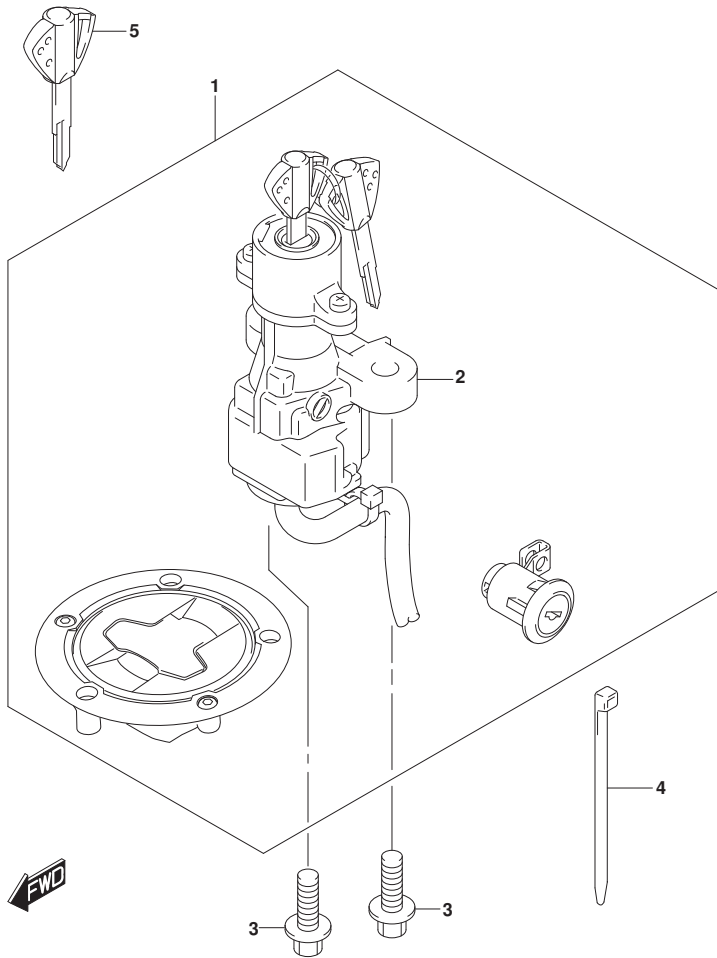


FIG.352A (1-D-14) LOCK SET

REF NO.	PART NO.	DESCRIPTION	Q'TY	REMARKS
1	37101-25840	LOCK SET	1	
2	37100-25L10	.LOCK ASSY,STEERING	1	
3	37152-17K00	BOLT,STEERING LOCK (8X20)	2	
4	09407-14407	CLAMP (L:145)	2	
5	37146-13K00	KEY,BLANK	1	OPT

FIG.355A



FIG.355A (1-D-15) HANDLE SWITCH

REF NO.	PART NO.	DESCRIPTION	Q'TY	REMARKS
1	09407-14407	CLAMP (L:145)	1	
2	37400-25L00	SWITCH ASSY,HANDLE,L	1	
3	09407-14407	CLAMP (L:145)	1	

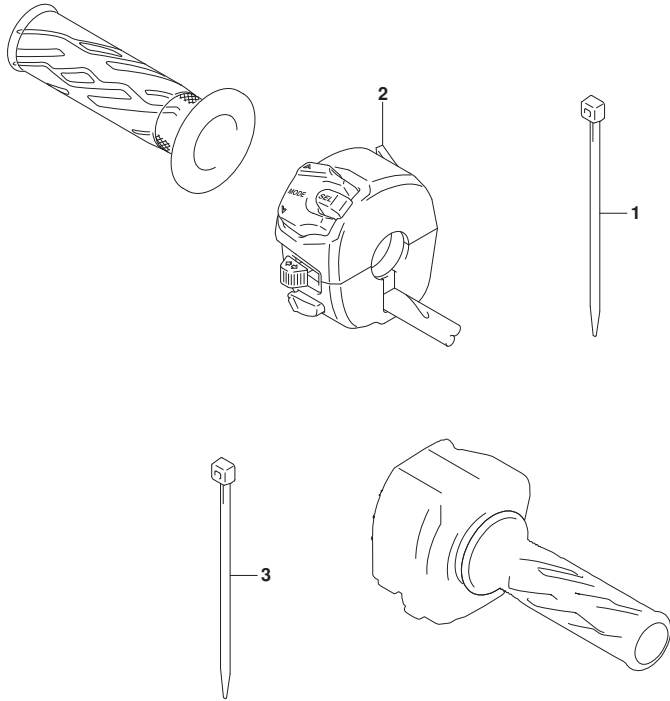


FIG.401A

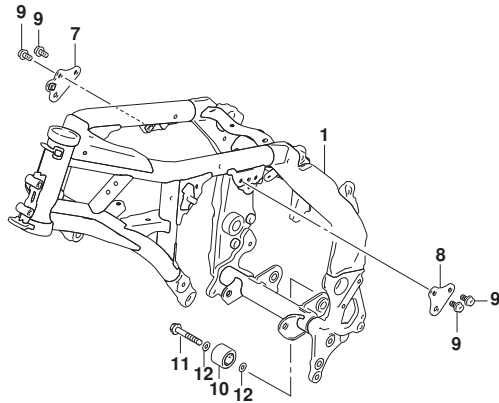
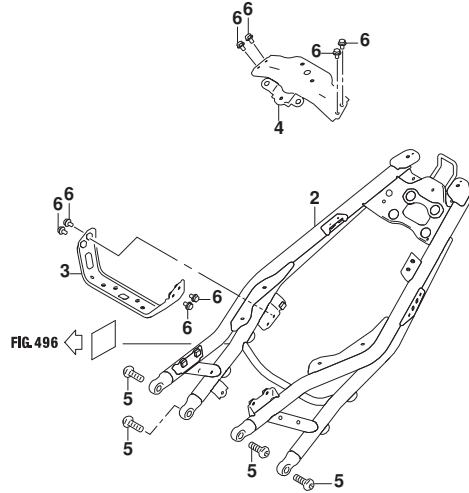


FIG.401A (1-D-16) FRAME

REF NO.	PART NO.	DESCRIPTION	Q'TY	REMARKS
1	41100-25L00	FRAME	1	
2-1	41200-25L00-QU1	RAIL,SEAT (BLUE)	1	BODY COLOR:QU1,QU2
2-2	41200-25L00-YPT	RAIL,SEAT (GLAY)	1	BODY COLOR:KGL
3	42710-25L00	HOLDER,BATTERY	1	
4	42720-25L00	BRACKET,SEAT LOCK	1	
5	09106-10100	BOLT,SEAT RAIL	4	
6	01550-0610B	BOLT	8	
7	41920-25L00	PLATE,ENG MTG,R	1	
8	41922-25L00	PLATE,ENG MTG,L	1	
9	07120-0816B	BOLT	4	
10	43910-37F00	ROLLER,CHAIN	1	
11	09103-08083	BOLT (8X41)	1	
12	09181-08167	SHIM (8X16X1)	2	

FIG.406A

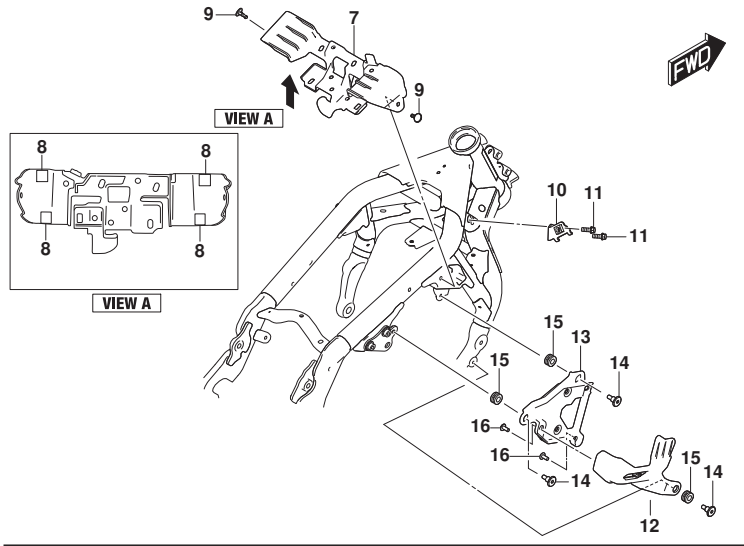


FIG.406A (1-E-2) HOLDER

REF NO.	PART NO.	DESCRIPTION	Q'TY	REMARKS
1	47431-25L00	HOLDER,BATTERY	1	
2	09139-06188	SCREW (6X12)	2	
3	47433-25L00	HOLDER,ELECTRIC PARTS	1	
4	09321-10012	CUSHION	2	
5	09409-06314	CLIP (5.9X20.5)	4	
6	03541-0516A	SCREW	2	
7	47430-25L00	BRACKET, COUPLER	1	
8	94429-20K00	.CUSHION (15X15X1)	4	
9	94479-35F00	CLIP	2	
10	46420-25L00	BRACKET,HORN	1	
11	01547-0616B	BOLT	2	
12	47436-25L00	GUARD,RECTIFIER	1	
13	47437-25L00	HOLDER,RECTIFIER	1	
14	09139-06211	SCREW (6X20)	3	
15	09320-09016	CUSHION (9X18X9.5)	3	
16	03541-0512A	SCREW	2	

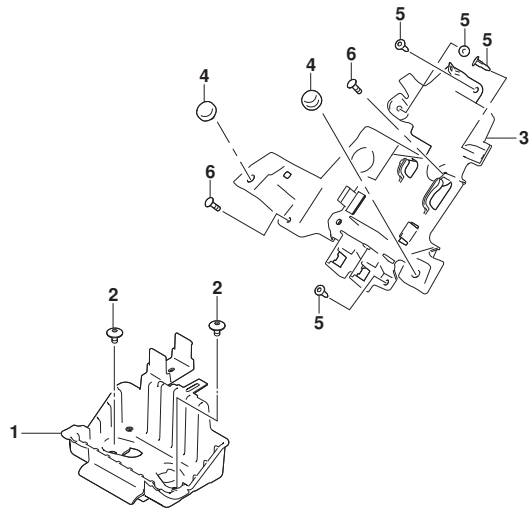


FIG.407A

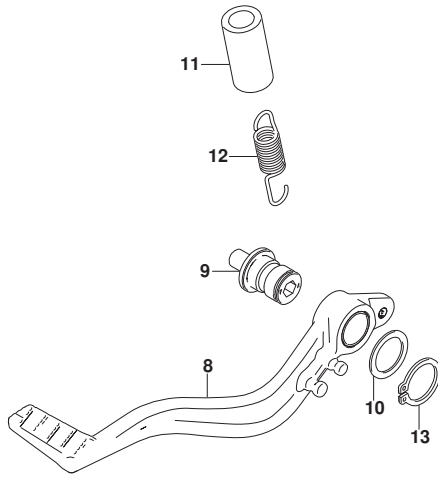


FIG.407A (1-E-3) STAND

REF NO.	PART NO.	DESCRIPTION	Q'TY	REMARKS
1	42310-25L00	STAND,PROP	1	
2	42330-25L00	BRACKET,PROP STAND	1	
3	09111-10059	BOLT (10X21)	1	
4	09443-14058	SPRING	1	
5	09443-19011	SPRING	1	
6	01550-1025A	BOLT (10X20)	2	
7	08319-3110A	NUT	1	
8	43110-25L00	PEDAL,BRAKE	1	
9	43142-25L00	SHAFT,BRAKE PEDAL	1	
10	09160-18022	WASHER (18X24X1.0)	1	
11	09355-13207-600	HOSE,13X20X600 (13X20X600)	1	L:600->040
12	09443-13029	SPRING	1	
13	08331-3118A	CIRCLIP	1	

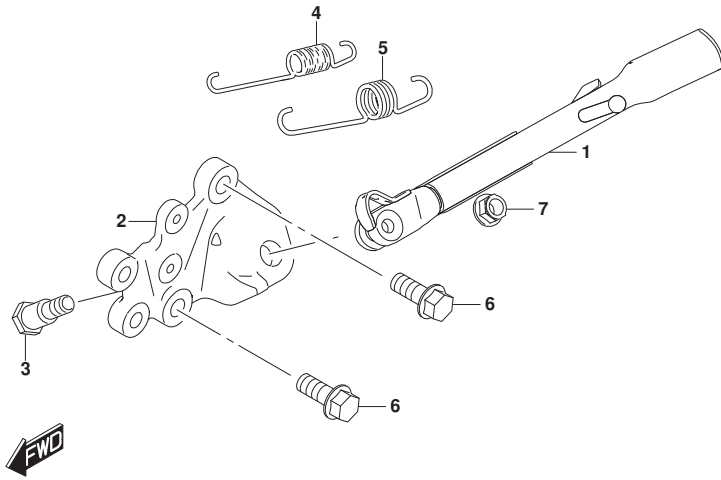


FIG.415A

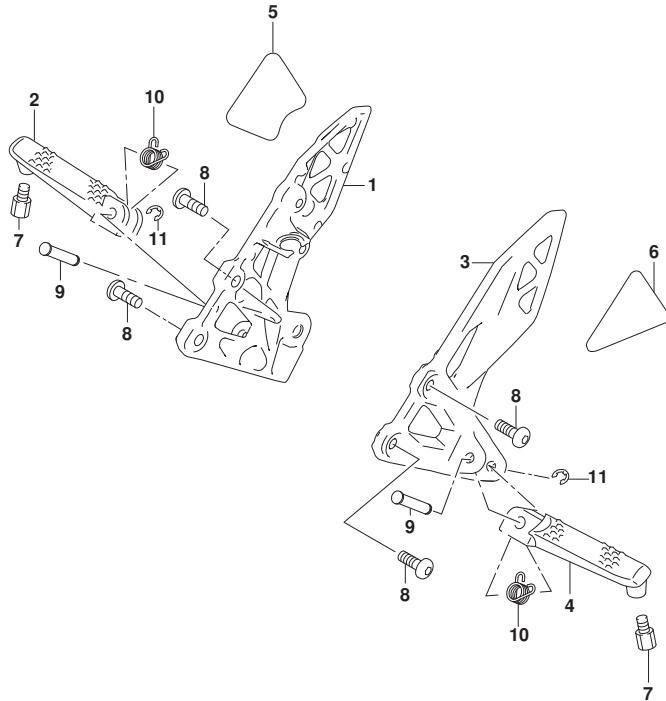


FIG.415A (1-E-4) FOOTREST

REF NO.	PART NO.	DESCRIPTION	Q'TY	REMARKS
1	43511-25L00	BRACKET,FR FOOTREST,R	1	
2	43516-18K00	BAR,FRONT FOOTREST RH	1	
3	43521-25L00	BRACKET,FR FOOTREST,L	1	
4	43526-18K00	BAR,FRONT FOOTREST LH	1	
5	43571-25L00	TAPE,FR FOOTREST,R	1	
6	43572-25L00	TAPE,FR FOOTREST,L	1	
7	43576-07D01	BOLT,BANK SENSOR	2	
8	09106-08181	BOLT (8X23)	4	
9	09208-08019	PIN	2	
10	09448-14046	SPRING	2	
11	08332-1106A	E-RING	2	



FIG.417A

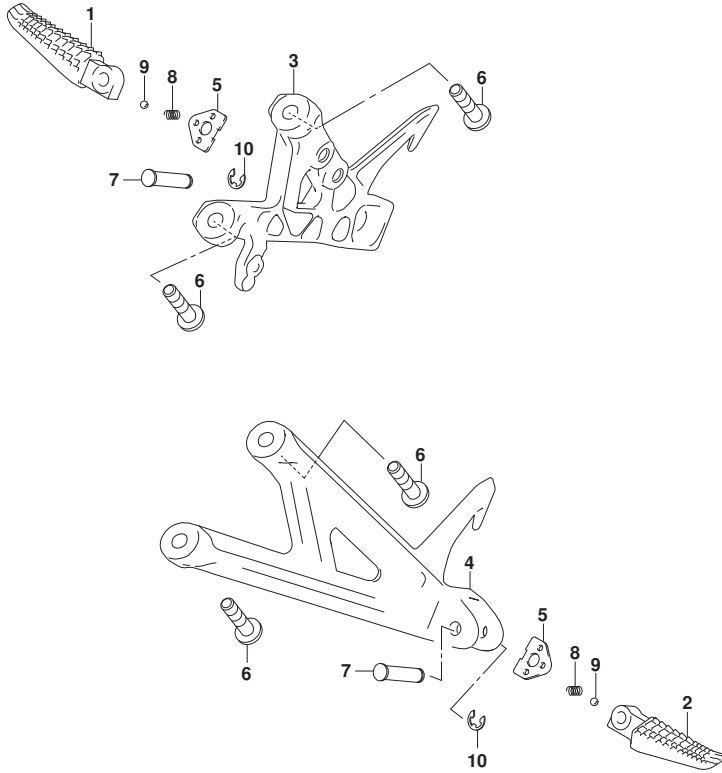


FIG.417A (1-E-5) PILLION FOOTREST

REF NO.	PART NO.	DESCRIPTION	Q'TY	REMARKS
1	43611-20K20	BAR,PILLION FOOTREST,R	1	
2	43621-20K20	BAR,PILLION FOOTREST,L	1	
3	43811-25L00	BRACKET,PILLION FOOTREST,R	1	
4	43821-25L00	BRACKET,PILLION FOOTREST,L	1	
5	43816-01H20	PLATE,PILLION FOOTREST	2	
6	09106-08214	BOLT,PILLION FOOTREST BRKT	4	
7	09208-08018	PIN	2	
8	09440-05003	SPRING	2	
9	06111-07004	BALL	2	
10	08332-1106A	E-RING	2	



FIG.420A

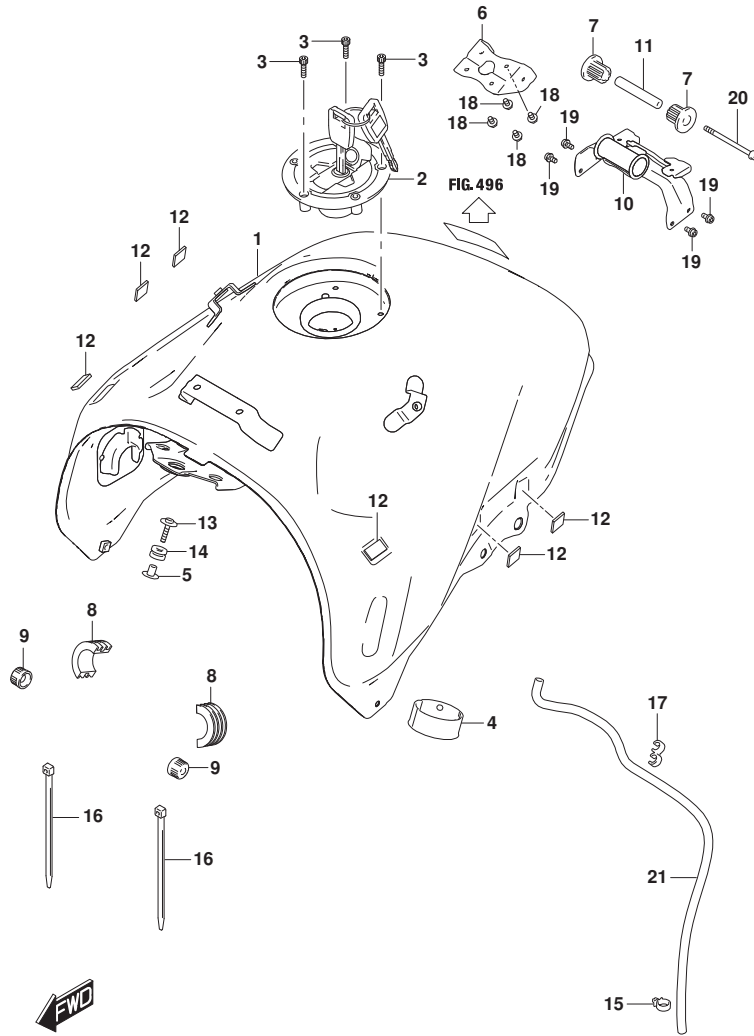


FIG.420A (1-E-6) FUEL TANK

REF NO.	PART NO.	DESCRIPTION	Q'TY	REMARKS
1-1	44100-25L00-YKV	TANK ASSY,FUEL (BLACK)	1	BODY COLOR:QU1,QU2
1-2	44100-25L00-YVB	TANK ASSY,FUEL (BLACK)	1	BODY COLOR:KGL
2	44200-17840	CAP SET,FUEL TANK FILLER	1	
3	44244-11J00	BOLT,FUEL TANK FILLER CAP	3	
4	44121-07L00	VESSEL,FUEL TANK INNER	1	
5	44512-04K00	SPACER,FUEL TANK FRONT	1	
6	44530-25L00	BRACKET,FUEL TANK NO.1	1	
7	44541-02F01	CUSHION,FUEL TANK RR	2	
8	44541-25L00	CUSHION,FUEL TANK SIDE	2	
9	44542-25L00	CUSHION,FUEL TANK FRONT	2	
10	44550-25L00	BRACKET,FUEL TANK REAR	1	
11	44561-25L10	SPACER,FUEL TANK REAR	1	
12	47912-37H00	FASTENER,FRAME COVER (15X25)	6	
13	09116-06172	BOLT (6X30)	1	
14	09320-10050	CUSHION (10X22X13)	1	
15	09403-16412	CLAMP	1	
16	09407-20405	CLAMP (L:202)	2	
17	09408-00043	CLAMP (ID:11.8X2)	1	
18	01550-0610A	BOLT	4	
19	07120-0612B	BOLT	4	
20	07120-0695A	BOLT	1	
21	44423-25L00	HOSE,FUEL TANK DRAIN	1	

FIG.422A

FIG.422A (1-E-7) FUEL TANK FRONT COVER

REF NO.	PART NO.	DESCRIPTION	Q'TY	REMARKS
1	47561-25L00	COVER,FUEL TANK	1	
2	68281-47HA0	EMBLEM,S	1	
3	09409-06314	CLIP (5.9X20.5)	2	

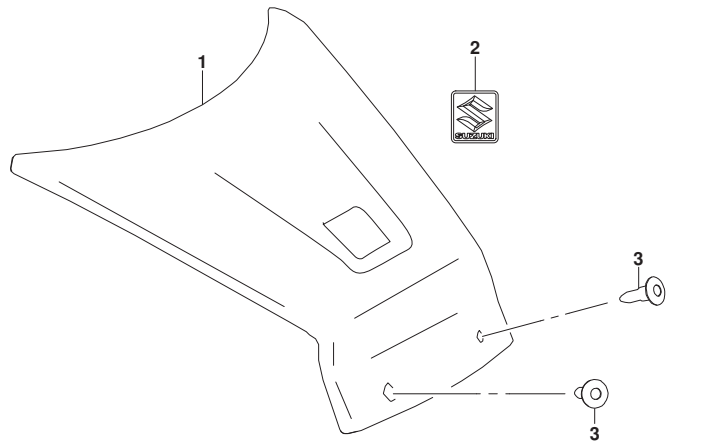


FIG.427A



FIG.427A (1-E-8) EVAP SYSTEM

REF NO.	PART NO.	DESCRIPTION	Q'TY	REMARKS
1	18114-74P00	VALVE,CANISTER PURGE	1	
2	18560-25L00	CANISTER ASSY, EVAP	1	
3	18565-25L00	COVER,CANISTER	1	
4	18568-25L00	CLIP, EVAP HOSE NO.1	1	
5	18572-25L00	CUSHION,CANISTER	1	
6	09401-10401	CLIP	2	
7	09401-11403	CLIP (ID:11)	3	
8	01547-0612A	BOLT	2	
9	18570-25L00	BRACKET,CANISTER	1	
10	08316-1006A	NUT (6X12)	1	
11	18561-25L00	HOSE,SURGE	1	
12	18562-25L00	HOSE,PURGE NO.1	1	
13	18563-25L00	HOSE,PURGE NO.2	1	

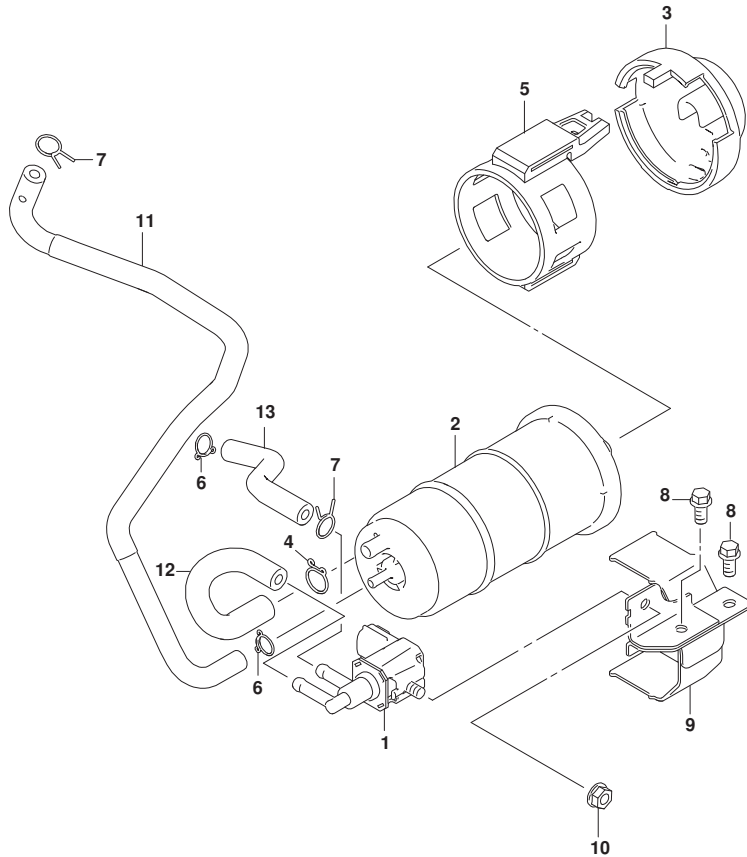


FIG.433A

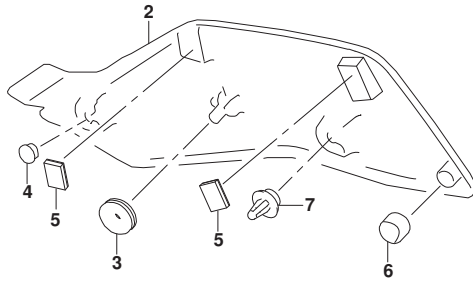


FIG.433A (1-E-9) SIDE COVER

REF NO.	PART NO.	DESCRIPTION	QTY	REMARKS
1	47311-25L00	COVER,FRAME FRONT,R	1	
2	47321-25L00	COVER,FRAME FRONT,L	1	
3	44173-14J00	CUSHION,FUEL TANK COVER SIDE	2	
4	45148-27J00	CUSHION,SEAT MOUNT	2	
5	47315-25L00	FASTENER,FRAME COVER	4	
6	09251-09008	CAP (OD:13.6)	2	
7	09409-10313	CLIP	2	

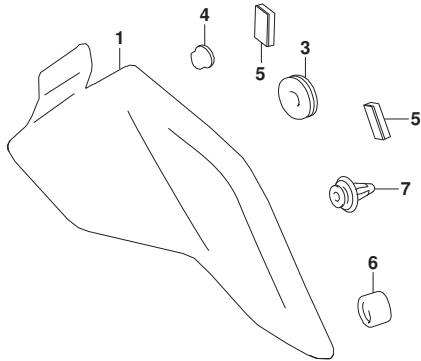


FIG.434A

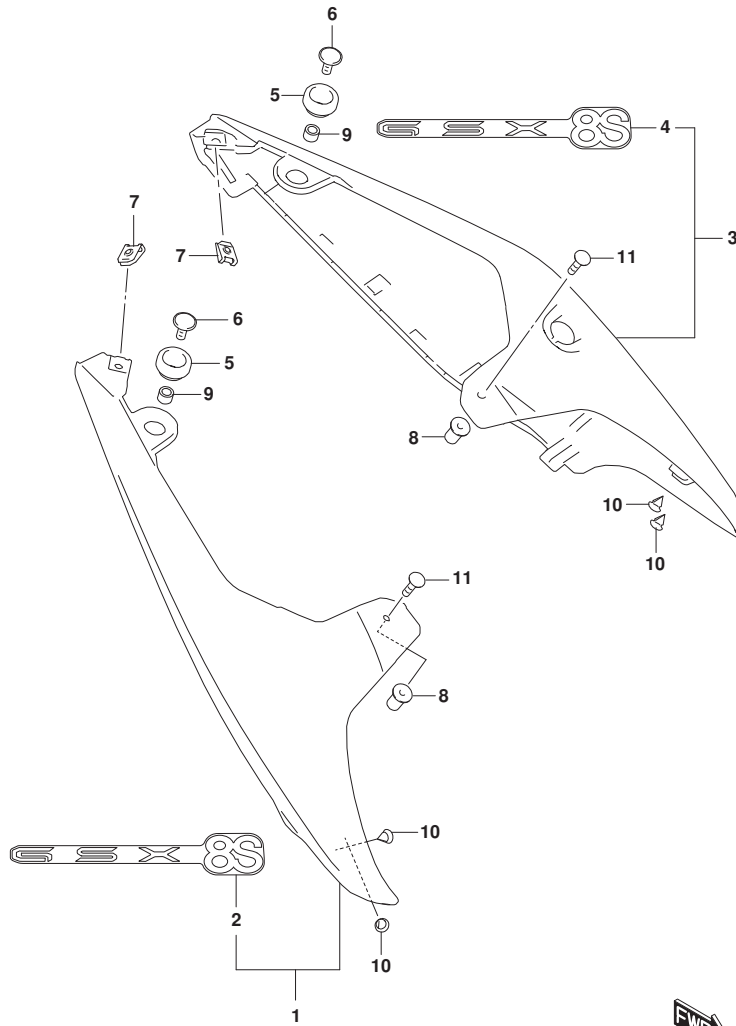


FIG.434A (1-E-10) SIDE REAR COVER

REF NO.	PART NO.	DESCRIPTION	Q'TY	REMARKS
1-1	47110-25L00-QU1	COVER,FRAME,R (BLUE)	1	BODY COLOR:QU1
1-2	47110-25L00-QU2	COVER,FRAME,R	1	BODY COLOR:QU2
1-3	47110-25L00-YKV	COVER,FRAME,R (BLACK)	1	BODY COLOR:KGL
2-1	68131-25L00-CK6	.EMBLEM,FRAME COVER,R	1	BODY COLOR:QU1
2-2	68131-25L00-CK7	.EMBLEM,FRAME COVER,R	1	BODY COLOR:QU2
2-3	68131-25L00-CK8	.EMBLEM,FRAME COVER,R	1	BODY COLOR:KGL
3-1	47210-25L00-QU1	COVER,FRAME UPPER,L (BLUE)	1	BODY COLOR:QU1
3-2	47210-25L00-QU2	COVER,FRAME UPPER,L	1	BODY COLOR:QU2
3-3	47210-25L00-YKV	COVER,FRAME UPPER,L (BLACK)	1	BODY COLOR:KGL
4-1	68141-25L00-CK6	.EMBLEM,FRAME COVER,L	1	BODY COLOR:QU1
4-2	68141-25L00-CK7	.EMBLEM,FRAME COVER,L	1	BODY COLOR:QU2
4-3	68141-25L00-CK8	.EMBLEM,FRAME COVER,L	1	BODY COLOR:KGL
5	47312-37H20	CUSHION,FRAME COVER CTR	2	
6	09136-06056	SCREW (6X16)	2	
7	09148-05038	NUT (M5)	2	
8	09159-05019	NUT (M5)	2	
9	09180-06283	SPACER (6.5X10X7)	2	
10	09250-06017	PLUG (OD:10)	4	
11	02142-1520A	SCREW	2	

FIG.443A

FIG.443A (1-E-11) FRAME CENTER COVER

REF NO.	PART NO.	DESCRIPTION	Q'TY	REMARKS
1	47411-25L00	COVER,FRAME CENTER	1	
2	09409-06314	CLIP (5.9X20.5)	2	
3	03541-0512A	SCREW	2	

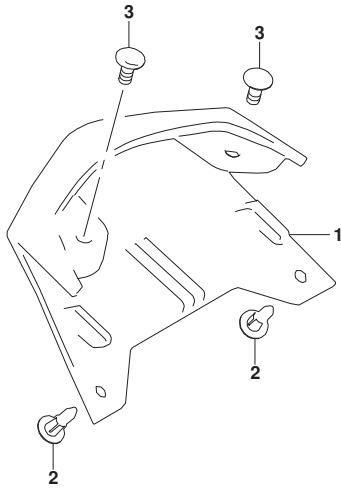


FIG.447A

FIG.447A (1-E-12) FRAME BODY COVER

REF NO.	PART NO.	DESCRIPTION	Q'TY	REMARKS
1-1	47540-25L00-QU1	COVER,FRAME BODY UPPER,R (BLUE)	1	BODY COLOR:QU1
1-2	47540-25L00-QU2	COVER,FRAME BODY UPPER,R	1	BODY COLOR:QU2
1-3	47540-25L00-YKV	COVER,FRAME BODY UPPER,R (BLACK)	1	BODY COLOR:KGL
2-1	68111-25L00-019	.EMBLEM,"SUZUKI" (BLACK)	1	BODY COLOR:QU1,KGL
2-2	68111-25L00-YKV	.EMBLEM,"SUZUKI" (BLACK)	1	BODY COLOR:QU2
3-1	68136-25L00-CLB	.TAPE,COVER FRAME BODY UPPER,R	1	BODY COLOR:QU1
3-2	68136-25L00-CLD	.TAPE,COVER FRAME BODY UPPER,R	1	BODY COLOR:QU2
3-3	68136-25L00-KGL	.TAPE,COVER FRAME BODY UPPER,R (BLACK)	1	BODY COLOR:KGL
4-1	47550-25L00-QU1	COVER,FRAME BODY UPPER,L (BLUE)	1	BODY COLOR:QU1
4-2	47550-25L00-QU2	COVER,FRAME BODY UPPER,L	1	BODY COLOR:QU2
4-3	47550-25L00-YKV	COVER,FRAME BODY UPPER,L (BLACK)	1	BODY COLOR:KGL
5-1	68111-25L00-019	.EMBLEM,"SUZUKI" (BLACK)	1	BODY COLOR:QU1,KGL
5-2	68111-25L00-YKV	.EMBLEM,"SUZUKI" (BLACK)	1	BODY COLOR:QU2
6-1	68146-25L00-CLB	.TAPE,COVER FRAME BODY UPPER,L	1	BODY COLOR:QU1
6-2	68146-25L00-CLD	.TAPE,COVER FRAME BODY UPPER,L	1	BODY COLOR:QU2
6-3	68146-25L00-KGL	.TAPE,COVER FRAME BODY UPPER,L (BLACK)	1	BODY COLOR:KGL
7	47511-25L00	COVER,FRAME BODY LOWER,R	1	
8	47512-25L00	COVER,FRAME BODY INNER,R	1	
9	47521-25L00	COVER,FRAME BODY LOWER,L	1	
10	47522-25L00	COVER,FRAME BODY INNER,L	1	
11	09139-06247	BOLT,FRAME BODY UPPER SIDE	2	
12	47545-25L00	CUSHION,FRAME BODY UPPER	2	
13	47912-37H00	FASTENER,FRAME COVER (15X25)	2	
14	94479-35F00	CLIP	2	
15	09139-06225	SCREW (6X12)	2	
16	09139-05092	SCREW (5X13)	2	
17	09148-05038	NUT (M5)	4	
18	09409-08012	CLIP	2	
19	09409-08326	CLIP (10.5X14.3)	2	

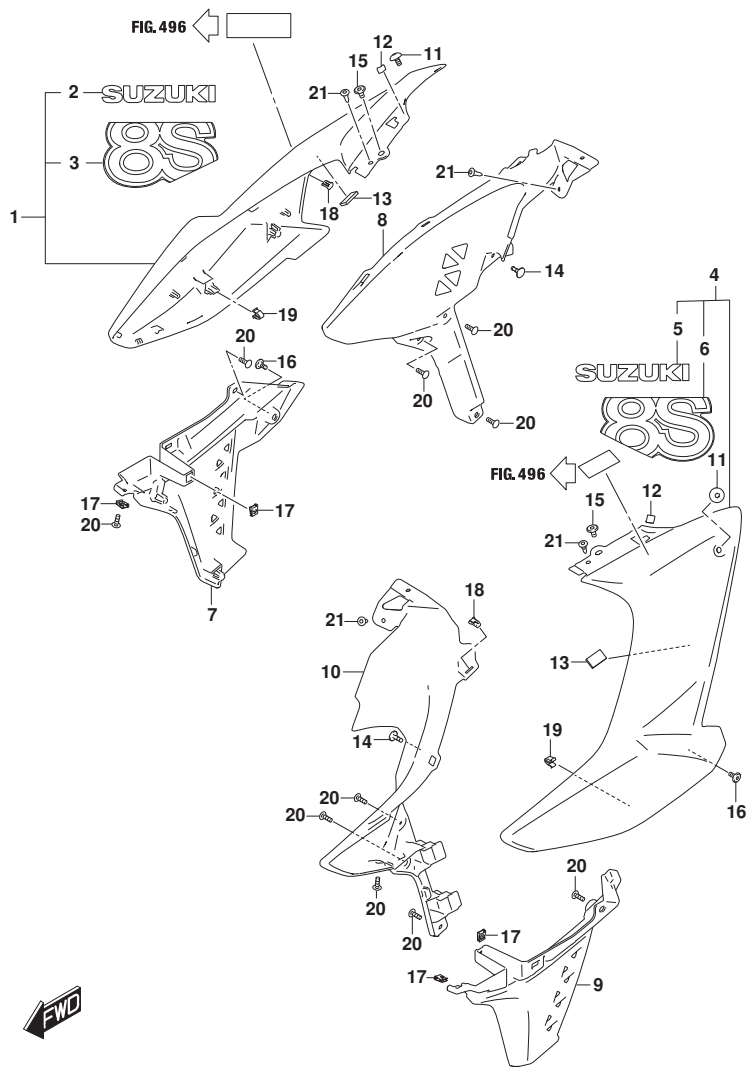


FIG.447A

FIG.447A (1-E-13) FRAME BODY COVER

REF NO.	PART NO.	DESCRIPTION	Q'TY	REMARKS
20	03541-0516B	SCREW	10	
21	09409-06314	CLIP (5.9X20.5)	2	

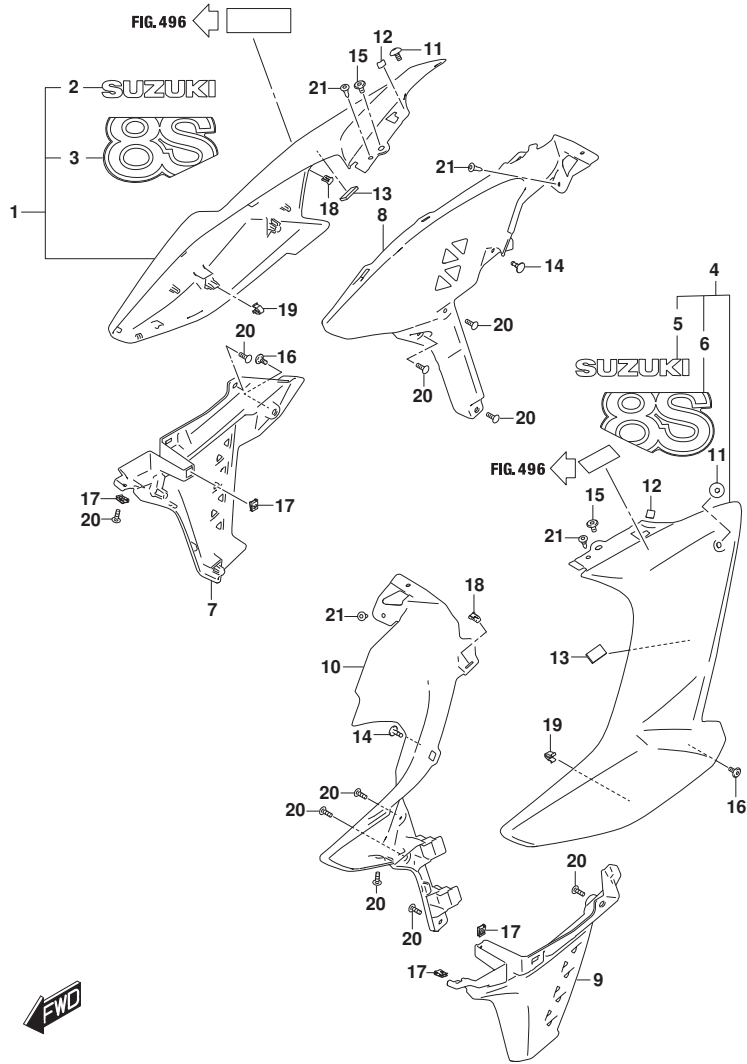


FIG.451A

FIG.451A (1-E-14) HEADLAMP HOUSING

REF NO.	PART NO.	DESCRIPTION	Q'TY	REMARKS
1	51811-25L00	COVER,HEADLAMP	1	
2-1	51812-25L00-QU1	COVER,HEADLAMP,R (BLUE)	1	BODY COLOR:QU1
2-2	51812-25L00-QU2	COVER,HEADLAMP,R	1	BODY COLOR:QU2
2-3	51812-25L00-YKV	COVER,HEADLAMP,R (BLACK)	1	BODY COLOR:KGL
3-1	51813-25L00-QU1	COVER,HEADLAMP,L (BLUE)	1	BODY COLOR:QU1
3-2	51813-25L00-QU2	COVER,HEADLAMP,L	1	BODY COLOR:QU2
3-3	51813-25L00-YKV	COVER,HEADLAMP,L (BLACK)	1	BODY COLOR:KGL
4	51823-25L00	COVER,METER FRONT	1	
5	51825-25L00	COVER,METER REAR	1	
6	51831-30H10	CUSHION,METER BRACE	2	
7	51850-25L00	BRACE,HEADLAMP COVER	1	
8	51860-25L00	BRACKET,HEADLAMP COVER	1	
9	09139-05091	SCREW (5X13)	2	
10	09139-05094	SCREW (5X18)	2	
11	09139-06220	SCREW (6X13)	3	
12	09148-05038	NUT (M5)	4	
13	09409-06314	CLIP (5.9X20.5)	4	
14	09409-06328	CLIP	2	
15	09409-08012	CLIP	2	
16	01550-0612B	BOLT	2	
17	01550-0616A	BOLT	2	
18	03541-0512A	SCREW	4	

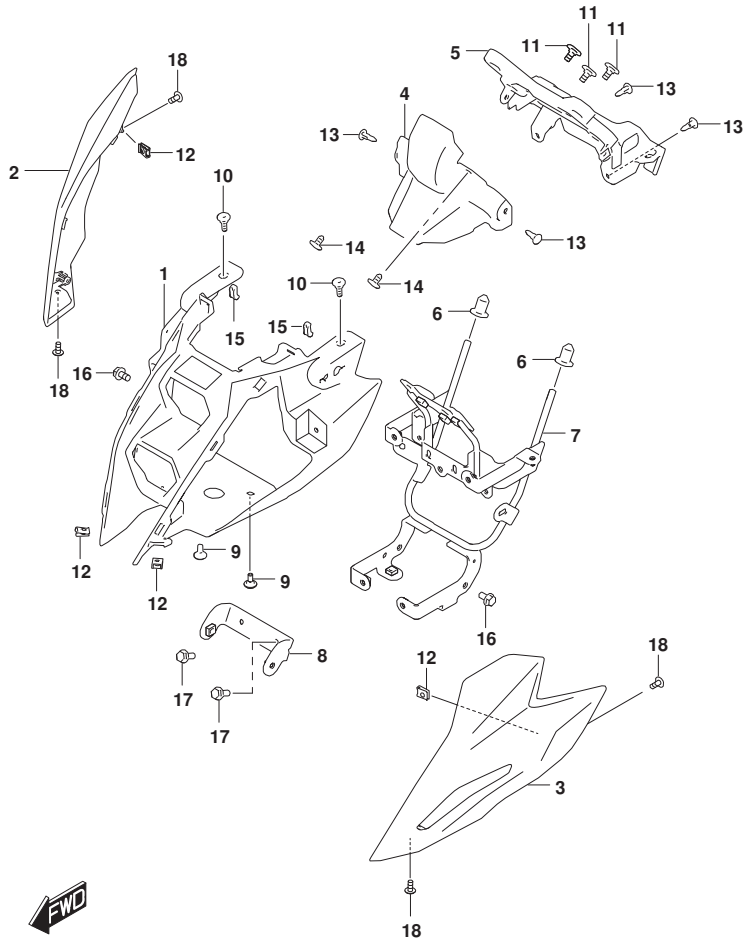


FIG.460A

FIG.460A (1-E-15) FRONT FENDER

REF NO.	PART NO.	DESCRIPTION	Q'TY	REMARKS
1-1	53111-25L00-YKV	FENDER,FRONT (BLACK)	1	BODY COLOR:QU1,KGL
1-2	53111-25L00-QU2	FENDER,FRONT	1	BODY COLOR:QU2
2	53120-25L00	CLAMP,BRAKE HOSE,R	1	
3	09111-06106	BOLT (6X12)	1	
4	09139-06206	SCREW (6X20)	2	
5	09139-06222	SCREW (6X16)	4	
6	09320-09016	CUSHION (9X18X9.5)	2	

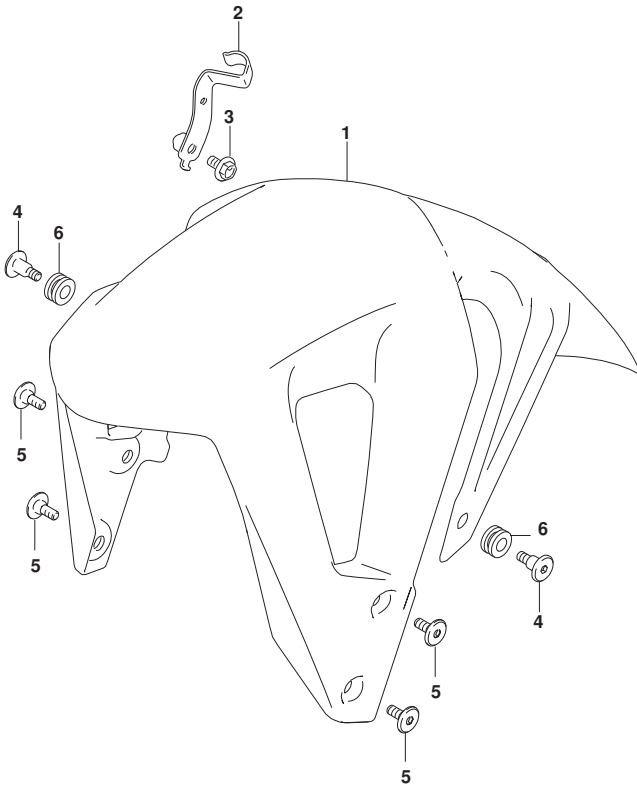


FIG.462A

FIG.462A (1-E-16) HANDLEBAR

REF NO.	PART NO.	DESCRIPTION	Q'TY	REMARKS
1	56111-25L00	HANDLEBAR	1	
2	56277-17K00	BOLT,HANDLE BALANCER	2	
3	56278-25L10	BALANCER,HANDLEBAR	2	

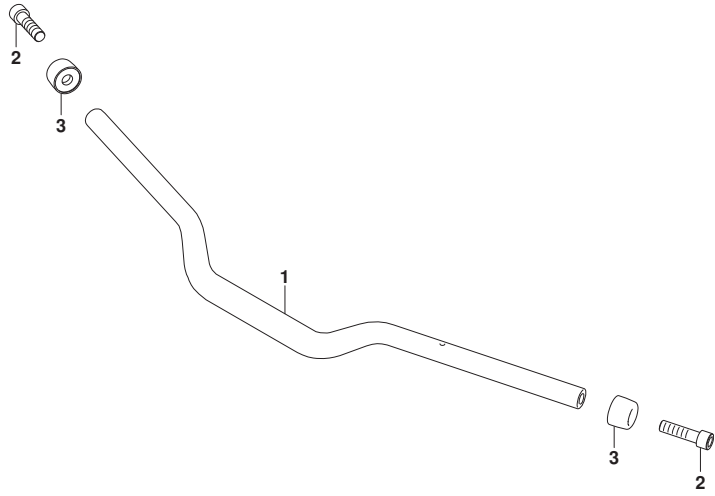


FIG.464A

FIG.464A (1-F-2) REAR VIEW MIRROR

REF NO.	PART NO.	DESCRIPTION	Q'TY	REMARKS
1	56500-08JA0	MIRROR ASSY,REAR VIEW,R	1	
2	56600-08JA0	MIRROR ASSY,REAR VIEW,L	1	

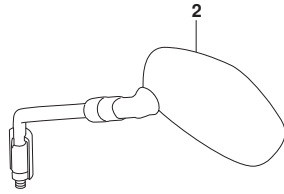
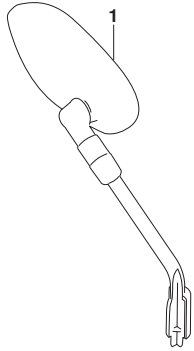


FIG.466A

FIG.466A (1-F-3) CONTROL CABLE

REF NO.	PART NO.	DESCRIPTION	Q'TY	REMARKS
1	58200-25L00	CABLE ASSY,CLUTCH	1	
2	58620-25L00	GUIDE,CLUTCH CABLE	1	
3	58634-25L00	STOPPER,CLUTCH CABLE	1	
4	09403-20311	CLAMP,GEAR SHIFT SW	1	
5	09407-17403	CLAMP (L:170)	1	
6	01547-0612A	BOLT	2	
7	01550-0616A	BOLT	2	

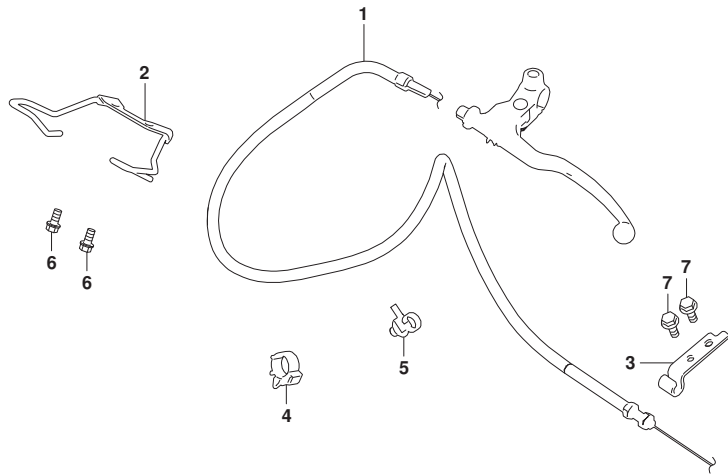


FIG.467A

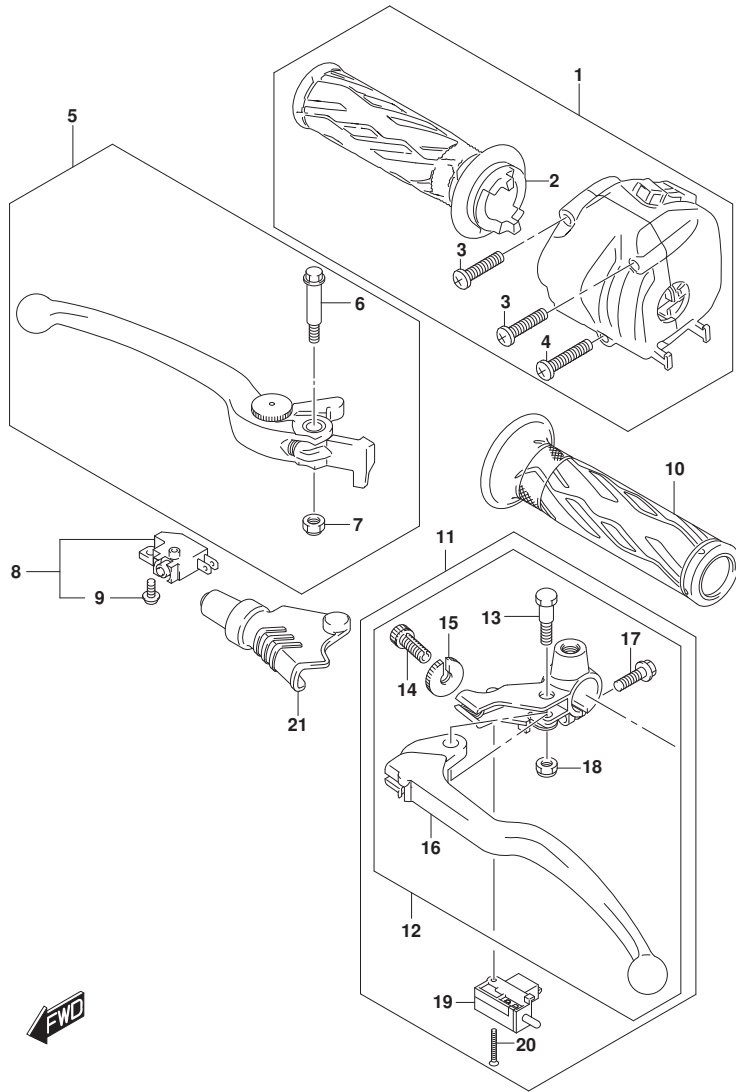


FIG.467A (1-F-4) HANDLE LEVER

REF NO.	PART NO.	DESCRIPTION	Q'TY	REMARKS
1	57100-06L60	GRIP ASSY, THROTTLE	1	
2	57110-06L00	.GRIP, THROTTLE	1	
3	02112-0530B	.SCREW	2	
4	02112-0540B	.SCREW	1	
5	57300-44G20	LEVER ASSY, BRAKE	1	
6	57431-17H02	.BOLT, LEVER PIVOT	1	
7	08319-2106A	.NUT	1	
8	57460-14J02	SWITCH ASSY, FR BRAKE	1	
9	57465-17C00	.SCREW, WITH WASHER (4X12)	1	
10	57211-21H01	GRIP, L	1	
11	57059-25D50	LEVER SET, CLUTCH	1	
12	57500-25D50	.LEVER ASSY, CLUTCH	1	
13	57431-21D11	..BOLT, LEVER PIVOT	1	
14	57441-08C01	..ADJUSTER, WIRE	1	
15	57442-08C01	..NUT, LOCK	1	
16	57621-25D10	..LEVER, CLUTCH	1	
17	01547-0620B	..BOLT	1	
18	08319-2106A	..NUT	1	
19	57560-05A00	.SWITCH, CLUTCH	1	
20	57562-41G01	.SCREW, CLUTCH SWITCH	1	
21	57661-33E01	COVER, CLUTCH LEVER	1	

FIG.474A

FIG.474A (1-F-5) REAR FENDER

REF NO.	PART NO.	DESCRIPTION	Q'TY	REMARKS
1	36125-81P00	SCREW,FRONT POSITION LAMP	6	
2	44894-24A00	CUSHION (10X30X2)	4	
3	47376-20E00	CUSHION,FUEL LID (10X20X3)	2	
4	51827-13G00	CUSHION (15X70X7)	1	
5	63111-25L00	FENDER,REAR FRONT	1	
6	63112-25L00	FENDER,REAR REAR	1	
7	63113-25L00	BRACKET,REAR FENDER	1	
8	63114-25L00	LID,REAR FENDER FRONT	1	
9	63115-25L00	MUDFLAP,REAR FENDER FRONT	1	
10	63116-25L00	FENDER,REAR LOWER	1	
11	63117-25L00	REINF,REAR FENDER BRACKET	1	
12	63121-25L00	COVER,REAR FENDER,R	1	
13	63122-25L00	COVER,REAR FENDER,L	1	
14	94479-35F00	CLIP	6	
15	09111-06107	BOLT (6X12)	2	
16	09139-06225	SCREW (6X12)	2	
17	09148-05038	NUT (M5)	2	
18	09160-05046	WASHER (5.5X20X1.4)	2	
19	09409-06314	CLIP (5.9X20.5)	2	
20	09409-06314	CLIP (5.9X20.5)	4	
21	01547-0616B	BOLT	4	
22	03541-0516B	SCREW	2	
23	01550-0612A	BOLT	1	
24	08316-1006A	NUT (6X12)	1	
25	08322-0106A	WASHER	2	

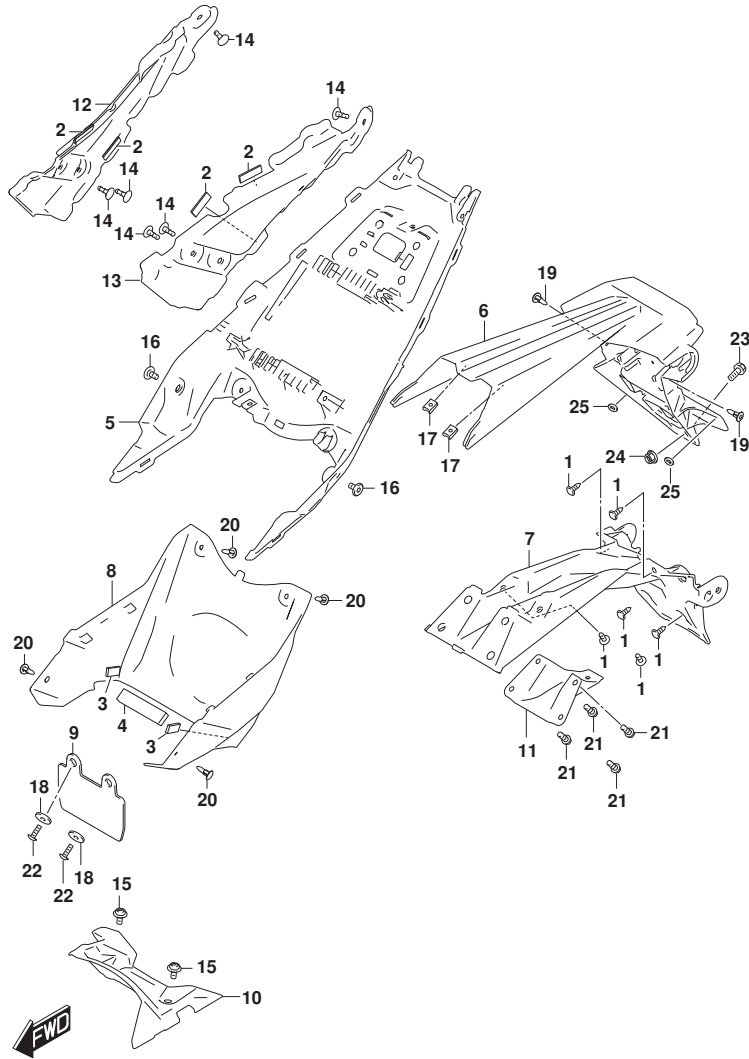


FIG.496A

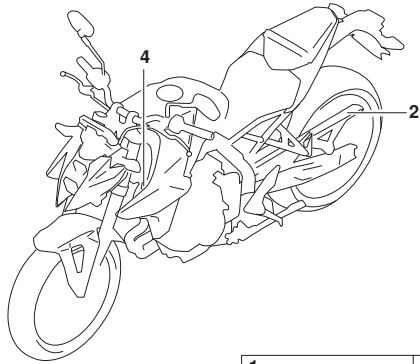
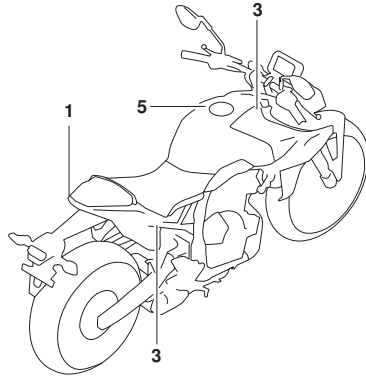


FIG.496A (1-F-6) LABEL

REF NO.	PART NO.	DESCRIPTION	Q'TY	REMARKS
1-1	68319-06L00	LABEL,GENERAL WARNING	1	ENGLISH
1-2	68319-06L20	LABEL,GENERAL WARNING	1	GERMAN
1-3	68319-06L30	LABEL,GENERAL WARNING	1	FRENCH
1-4	68319-06L40	LABEL,GENERAL WARNING	1	ITALIAN
1-5	68319-06L50	LABEL,GENERAL WARNING	1	SPANISH
1-6	68319-06L70	LABEL,GENERAL WARNING	1	DUTCH
1-7	68319-06L80	LABEL,GENERAL WARNING	1	PORTUGUESE
1-8	68319-06L90	LABEL,GENERAL WARNING	1	SWEDISH
1-9	68319-06LA0	LABEL,GENERAL WARNING	1	FINNISH
1-10	68319-06LB0	LABEL,GENERAL WARNING	1	NORWEGIAN/DANISH
1-11	68319-06LP0	LABEL,GENERAL WARNING	1	RUSSIAN
2	68332-25L00	LABEL,TIRE INFORMATION	1	
3	68386-14J01	LABEL,BRAKE FLUID INFORMATION	2	
4	17995-14JP1	LABEL,RADIATOR CAP	1	
5	11959-10LB0	LABEL,GASOLINE	1	

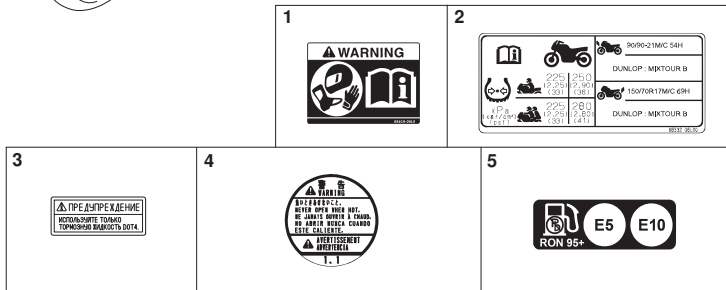


FIG.497A

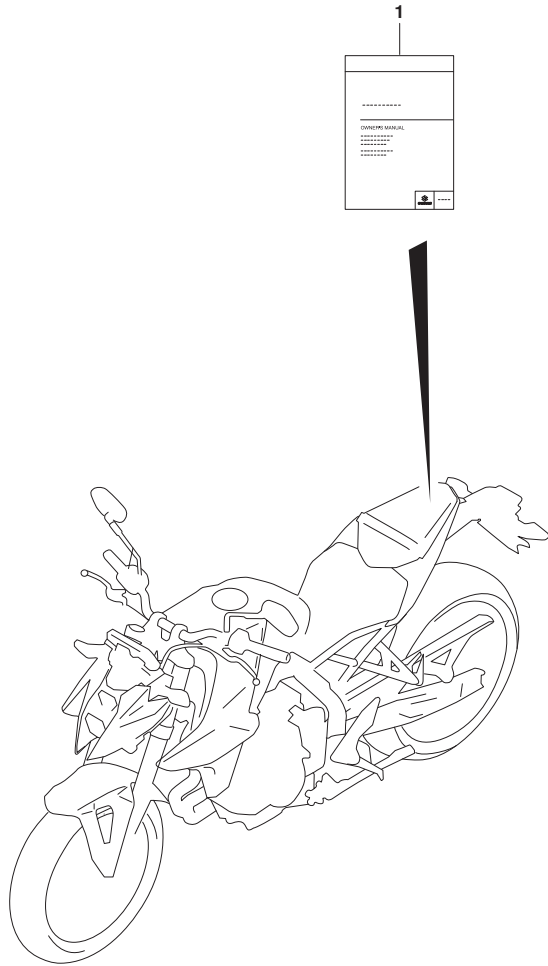


FIG.497A (1-F-7) MANUAL/TOOLS

REF NO.	PART NO.	DESCRIPTION	Q'TY	REMARKS
1-1	99011-25LA0-01A	MANUAL,OWNER'S	1	ENGLISH
1-2	99011-25LA0-01E	MANUAL,OWNER'S	1	ITALIAN
1-3	99011-25LA0-01F	MANUAL,OWNER'S	1	FRENCH
1-4	99011-25LA0-01H	MANUAL,OWNER'S	1	DUTCH
1-5	99011-25LA0-01K	MANUAL,OWNER'S	1	GERMAN
1-6	99011-25LA0-029	MANUAL,OWNER'S	1	SPANISH
1-7	99011-25LA0-01T	MANUAL,OWNER'S	1	DANISH

FIG.505A

FIG.505A (1-F-8) SEAT

REF NO.	PART NO.	DESCRIPTION	Q'TY	REMARKS
1	45100-25L20-QZF	SEAT ASSY (BLACK)	1	
2	45148-27J00	.CUSHION,SEAT MOUNT	2	
3	45149-20K00	.CUSHION	1	
4	47321-20K01	.CUSHION,FRAME COVER R	1	
5	09321-10012	.CUSHION	4	
6	09329-10001	.CUSHION	2	
7	96515-48H00	DRIVER	1	
8	96515-48H10	GRIP,DRIVER	1	
9	45280-20K00	CABLE,SEAT LOCK	1	
10	45288-14F00	GUIDE,SEAT LOCK CABLE	1	
11	45289-11F00	PLATE,SEAT LOCK ASSY	1	
12	45300-25L20-QZF	SEAT ASSY,PILLION (BLACK)	1	
13	45210-21K00	.CUSHION	2	
14	45290-20K00	.STRIKER,SEAT LOCK	1	
15	45380-25L00	.BAND,PILLION SEAT GRIP	1	
16	09160-06088	.WASHER (6.5X20X1.6)	2	
17	08316-1006A	.NUT (6X12)	2	
18	96514-48H00	HEXAGON,SPANNER 5	1	
19	96514-48H10	HEXAGON,SPANNER 4	1	
20	95700-14810	LOCK SET,SEAT	1	
21	09126-06019	SCREW,6X30 (6X30)	2	
22	09139-06244	SCREW,SEAT	1	
23	09407-18402	CLAMP (L:165)	1	
24	45220-47H00	BRACKET,SEAT SUPPORT	1	

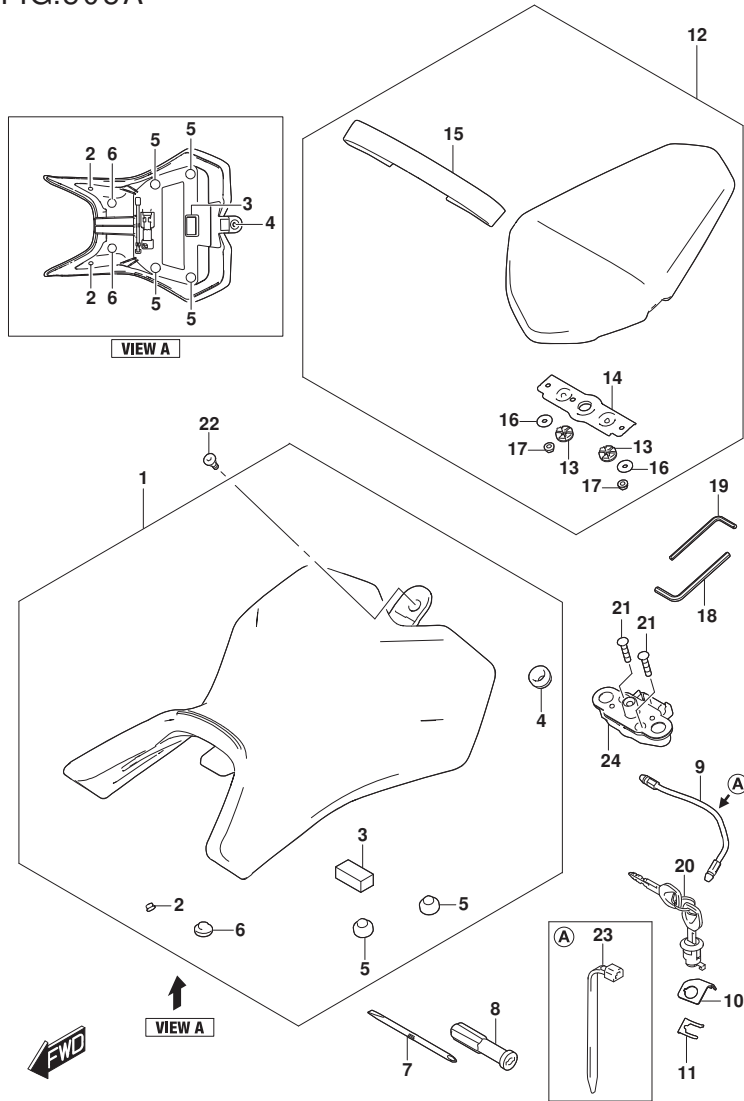


FIG.521A

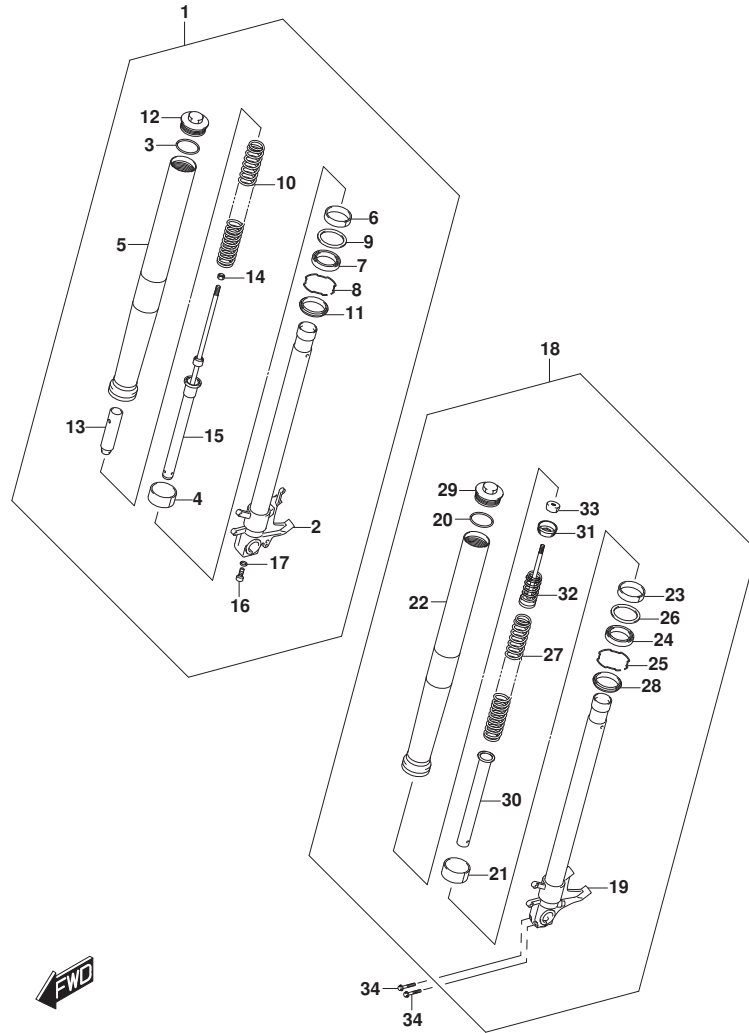


FIG.521A (1-F-9) FRONT FORK DAMPER

REF NO.	PART NO.	DESCRIPTION	Q'TY	REMARKS
1	51103-25L00	DAMPER ASSY,R	1	
2	51110-25L00	.TUBE,INNER,R	1	
3	51117-39G20	.O RING	1	
4	51121-26E10	.PISTON	1	
5	51131-25L00	.TUBE,OUTER	1	
6	51152-13K00	.SLIDE METAL	1	
7	51153-10G50	.SEAL,OIL	1	
8	51156-49440	.RING,OIL SEAL STOPPER	1	
9	51158-05A00	.WASHER	1	
10	51171-25L00	.SPRING	1	
11	51173-14F00	.SEAL,DUST	1	
12	51351-39G60	.CAP	1	
13	51176-48G10	.SPACER,SPRING	1	
14	51352-13A60	.NUT,ROD	1	
15	51146-25L00	.CYLINDER	1	
16	51147-05H00	.BOLT	1	
17	51148-41310	.GASKET	1	
18	51104-25L00	DAMPER ASSY,L	1	
19	51120-25L00	.TUBE,INNER,L	1	
20	51117-39G20	.O RING	1	
21	51121-26E10	.PISTON	1	
22	51131-25L00	.TUBE,OUTER	1	
23	51152-13K00	.SLIDE METAL	1	
24	51153-10G50	.SEAL,OIL	1	
25	51156-49440	.RING,OIL SEAL STOPPER	1	
26	51158-05A00	.WASHER	1	
27	51171-25L00	.SPRING	1	
28	51173-14F00	.SEAL,DUST	1	
29	51351-39G60	.CAP	1	
30	51176-25L00	.SPACER	1	
31	51126-25L00	.STOPPER	1	
32	51128-25L00	.ROD,PISTON	1	
33	51193-48KA0	.RUBBER,CUSHION	1	
34	51434-40H20	BOLT,AXLE STOPPER	2	

FIG.524A

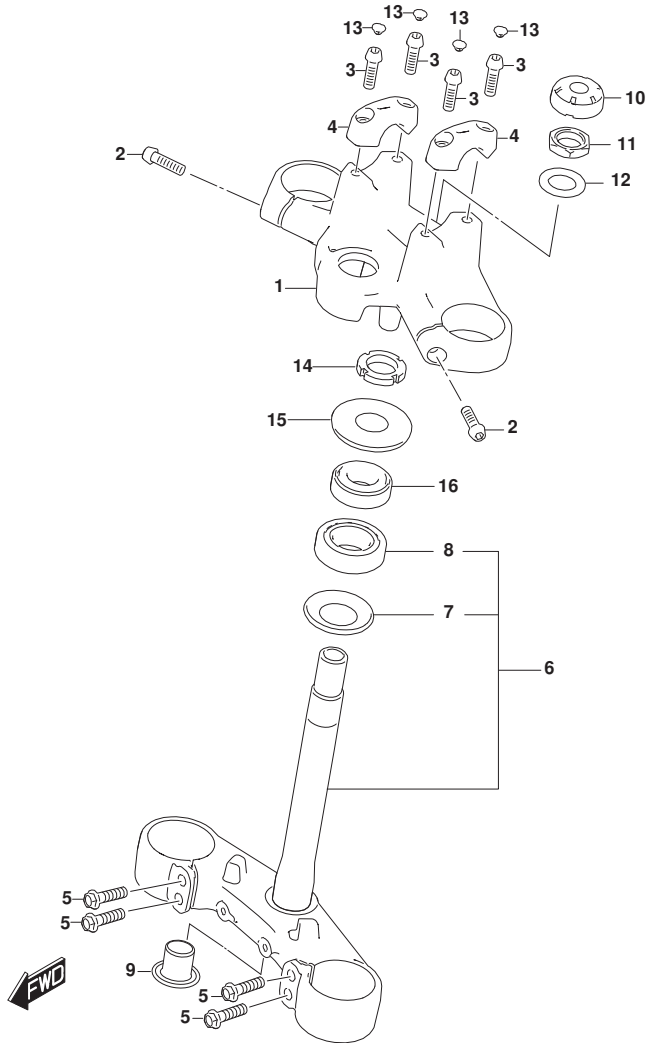


FIG.524A (1-F-10) STEERING STEM

REF NO.	PART NO.	DESCRIPTION	Q'TY	REMARKS
1	51311-25L00-YTA	BRACKET,UPPER (BLACK)	1	
2	51328-46H00	BOLT,BRACKET UPR	2	
3	51328-46H00	BOLT,BRACKET UPR	4	
4	56211-13K00-YTA	HOLDER, HANDLE (BLACK)	2	
5	51147-31J00	BOLT	4	
6	51410-25L00-YTA	BRACKET,UNDER (BLACK)	1	
7	51644-12C00	.SEAL,STEERING LWR (30.1X56X4)	1	
8	09265-30020	.BEARING (30X55X17)	1	
9	51482-26F00	CAP	1	
10	51344-13K00	CAP,STEERING STEM	1	
11	51353-13K00	NUT	1	
12	51356-13K00	WASHER	1	
13	09250-06015	CAP (OD:10.5)	4	
14	51631-08D30	NUT,STEERING	1	
15	51643-01B10	SEAL,STEERING UPPER DUST	1	
16	09265-25038	BEARING (25X47X15)	1	

FIG.526A

FIG.526A (1-F-11) SPEED SENSOR

REF NO.	PART NO.	DESCRIPTION	Q'TY	REMARKS
1	55710-25L00	SENSOR,FR WHEEL SPEED	1	
2	55731-06L00	CLAMP,FR WHEEL SPEED SENSOR	1	
3	65710-25L00	SENSOR,RR WHEEL SPEED	1	
4	09408-00184	CLAMP	1	
5	09408-00241	CLAMP	1	
6	09408-00266	CLAMP	3	
7	09408-00266	CLAMP	5	
8	01547-0616A	BOLT	3	

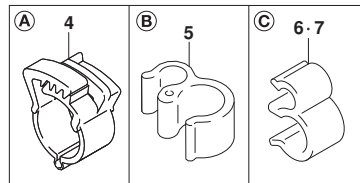
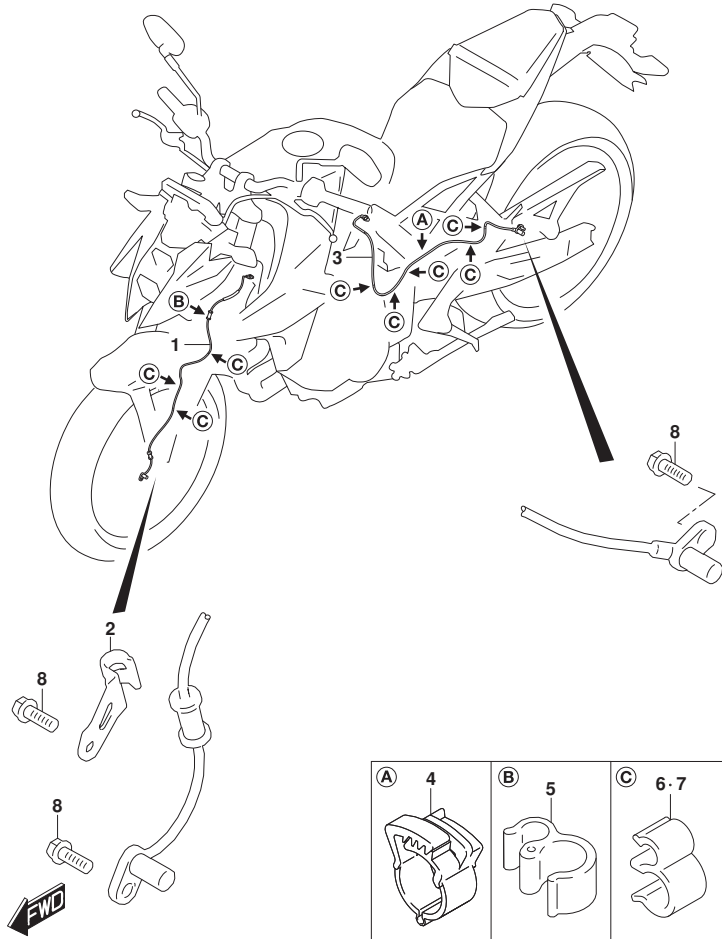


FIG.530A

FIG.530A (1-F-12) FRONT WHEEL

REF NO.	PART NO.	DESCRIPTION	QTY	REMARKS
1-1	54111-25L00-QZB	WHEEL,FRONT (BLUE)	1	BODY COLOR:QU1,QU2
1-2	54111-25L00-019	WHEEL,FRONT (BLACK)	1	BODY COLOR:KGL
2	54731-14J00	SPACER,FR HUB BEARING	1	
3	09262-22049	BEARING	2	
4	09283-28028	SEAL,OIL	2	
5	54711-25L10	AXLE,FRONT	1	
6	54751-14J00	SPACER,FR AXLE,L	1	
7	59210-44G11	DISC,FR BRAKE	2	
8	09106-08160	BOLT (8X21)	10	
9	54162-44H00	RING,SPEED SENSOR FR (50T)	1	
10	07130-0512A	BOLT	3	
11	55110-25L00	TIRE,FRONT	1	
12	#43130-24A00	VALVE ASSY,WHEEL RIM (TR412)	1	
13-1	55411-22H00	BALANCER,WHEEL (10G)	AR	
13-2	55412-22H00	BALANCER,WHEEL (20G)	AR	
13-3	55413-22H00	BALANCER,WHEEL (30G)	AR	

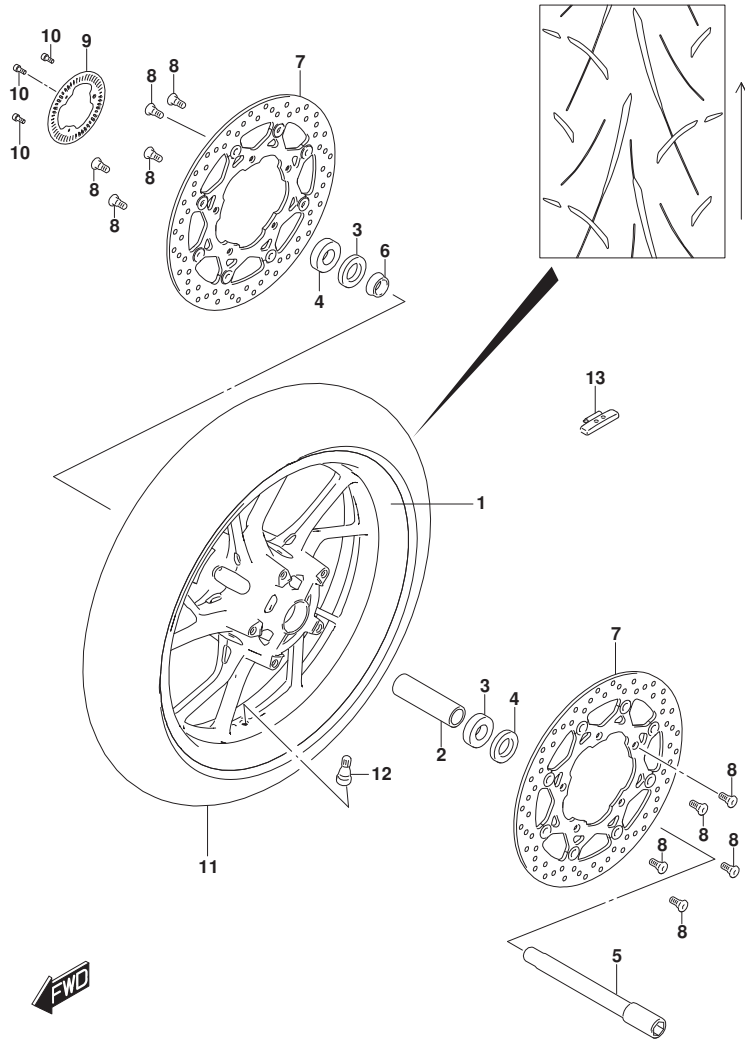


FIG.533A

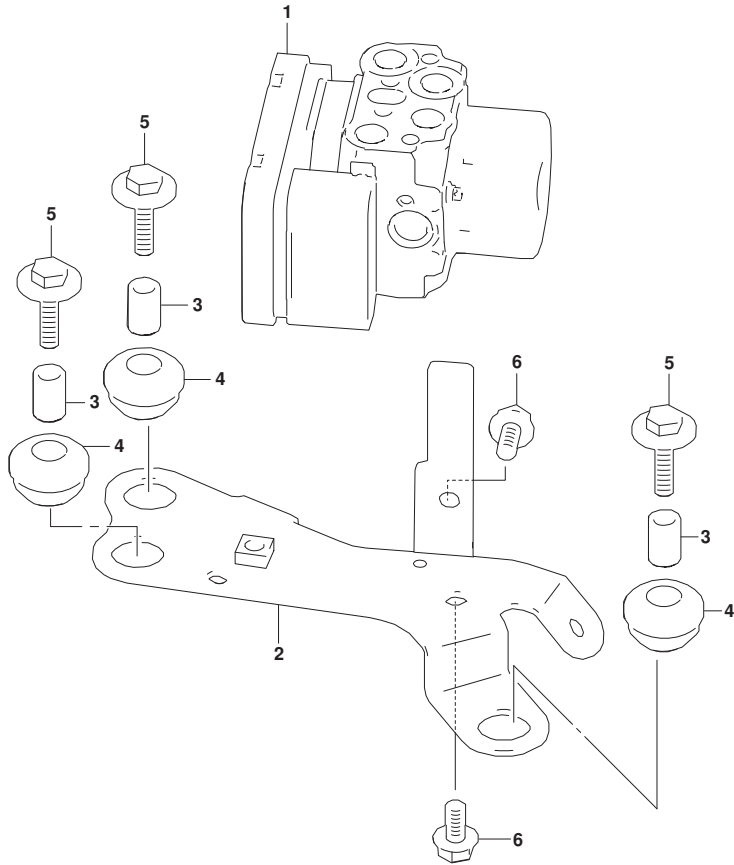


FIG.533A (1-F-13) HYDRAULIC UNIT

REF NO.	PART NO.	DESCRIPTION	Q'TY	REMARKS
1	55610-25L00	UNIT ASSY, HYDRAULIC ABS	1	
2	55650-25L00	HOLDER, HYDR UNIT ABS	1	
3	55662-10G00	SPACER, HYDR UNIT MTG (#05)	3	
4	55663-10G00	RUBBER, HYDR UNIT MTG	3	
5	09116-06150	BOLT (6X25)	3	
6	01550-0612A	BOLT	2	



FIG.535A

FIG.535A (1-F-14) FRONT CALIPER

REF NO.	PART NO.	DESCRIPTION	Q'TY	REMARKS
1	59100-23H40-999	CALIPER ASSY, FRONT RH	1	
2	59100-23860	.PISTON SET	1	
3	59100-23810	..SEAL SET,PISTON	1	
4	59121-01A00	.BLEEDER	1	
5	59122-01A00	.CAP,BLEEDER	1	
6	59145-23H00	.BOLT	4	
7	59345-00B20	.PIN	1	
8	59151-23H00	.SPRING,PAD	1	
9	59146-21E10	.PLUG,PIN	1	
10	59300-23H40-999	CALIPER ASSY, FRONT LH	1	
11	59100-23860	.PISTON SET	1	
12	59100-23810	..SEAL SET,PISTON	1	
13	59121-01A00	.BLEEDER	1	
14	59122-01A00	.CAP,BLEEDER	1	
15	59145-23H00	.BOLT	4	
16	59345-00B20	.PIN	1	
17	59151-23H00	.SPRING,PAD	1	
18	59146-21E10	.PLUG,PIN	1	
19	59100-23852	PAD SET	2	
20	59133-23H00	.SHIM	4	
21	69132-23H00	.INSULATOR	4	
22	09106-10096	BOLT	4	

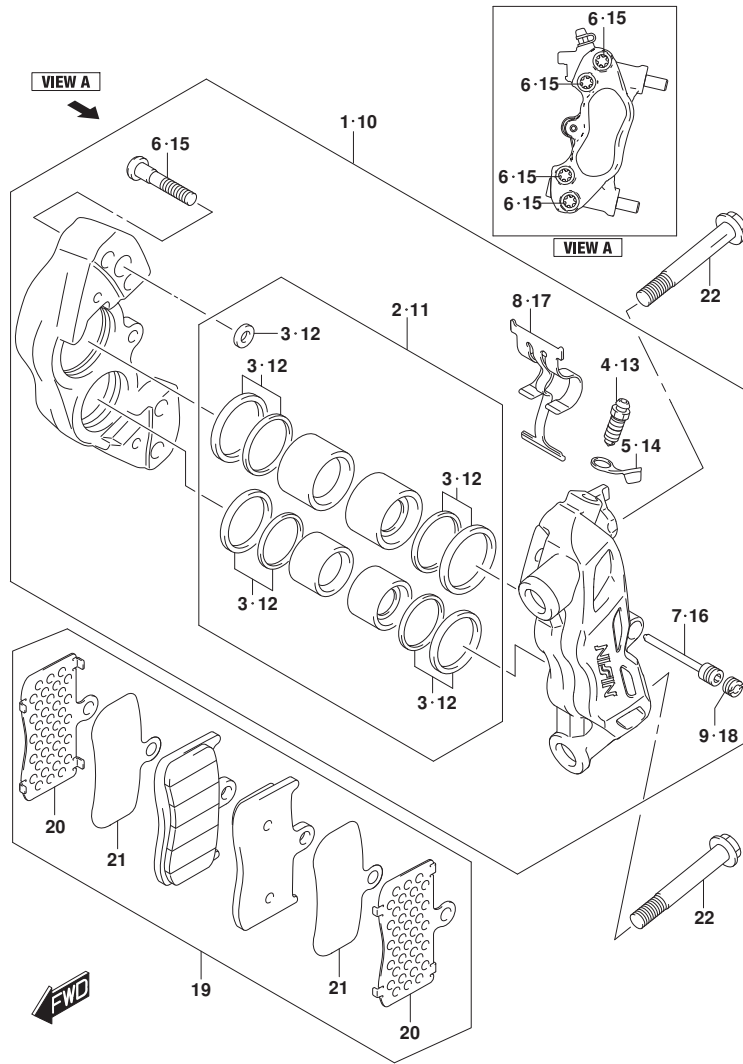


FIG.536A

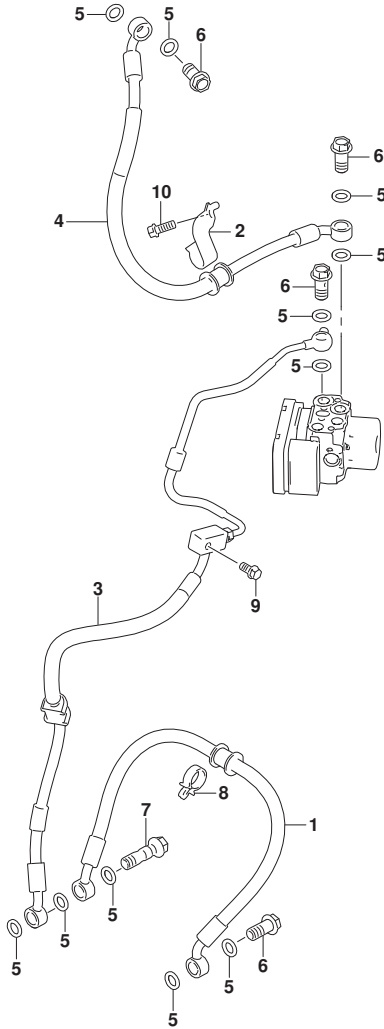


FIG.536A (1-F-15) FRONT BRAKE HOSE

REF NO.	PART NO.	DESCRIPTION	Q'TY	REMARKS
1	59240-25L00	HOSE,BK CLPR R TO CLPR L	1	
2	59251-25L00	CLAMP,FR BRAKE HOSE	1	
3	59400-25L00	HOSE ASSY,UNIT TO FR BK CLPR	1	
4	59480-25L00	HOSE,FR BK MASTER TO UNIT	1	
5	09161-10009	WASHER (10X15X1.5)	11	
6	09360-10062	UNION (10X1.25X22)	4	
7	09360-10064	UNION (10X1.25X36)	1	
8	09403-16412	CLAMP	1	
9	01547-0612A	BOLT	1	
10	01547-0616A	BOLT	1	

FIG.537A

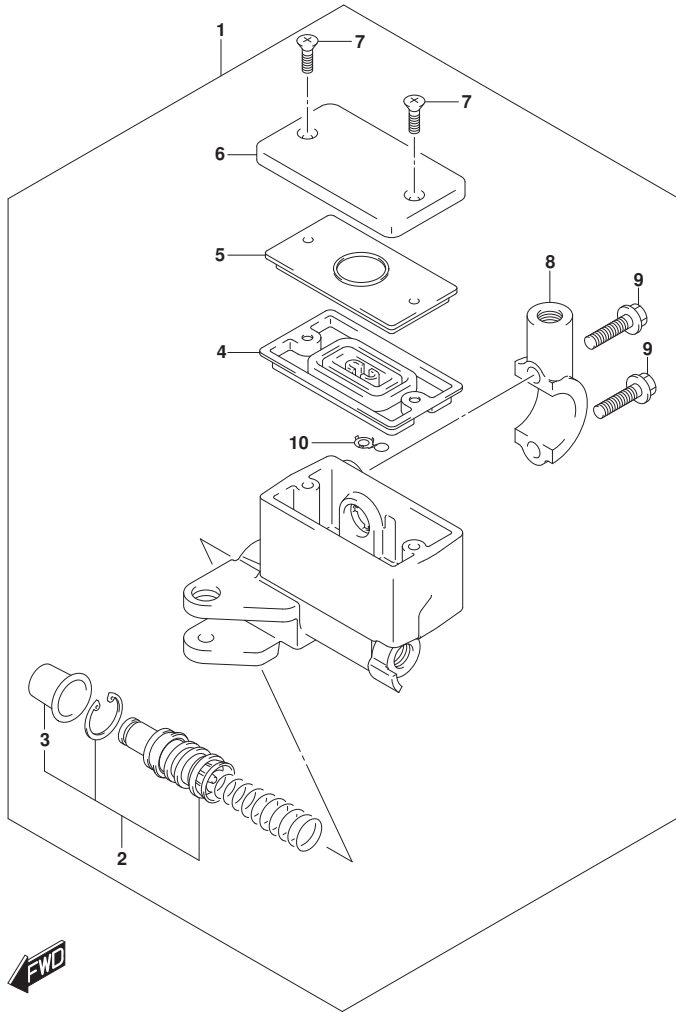


FIG.537A (1-F-16) FRONT MASTER CYLINDER

REF NO.	PART NO.	DESCRIPTION	Q'TY	REMARKS
1	59600-42F40	CYLINDER ASSY,FRONT MASTER	1	
2	59601-45810	.PISTON/CUP SET	2	
3	59666-44300	..BOOT	3	
4	59667-49460	.DIAPHRAGM	1	
5	59668-41C00	.PLATE,DIAPHRAGM	1	
6	59669-10G20	.CAP	1	
7	69689-49300	.SCREW	2	
8	59671-32F00	.HOLDER	1	
9	59675-02FA0	.BOLT (6X22)	2	
10	59664-32F00	.PROTECTOR	1	

FIG.541A

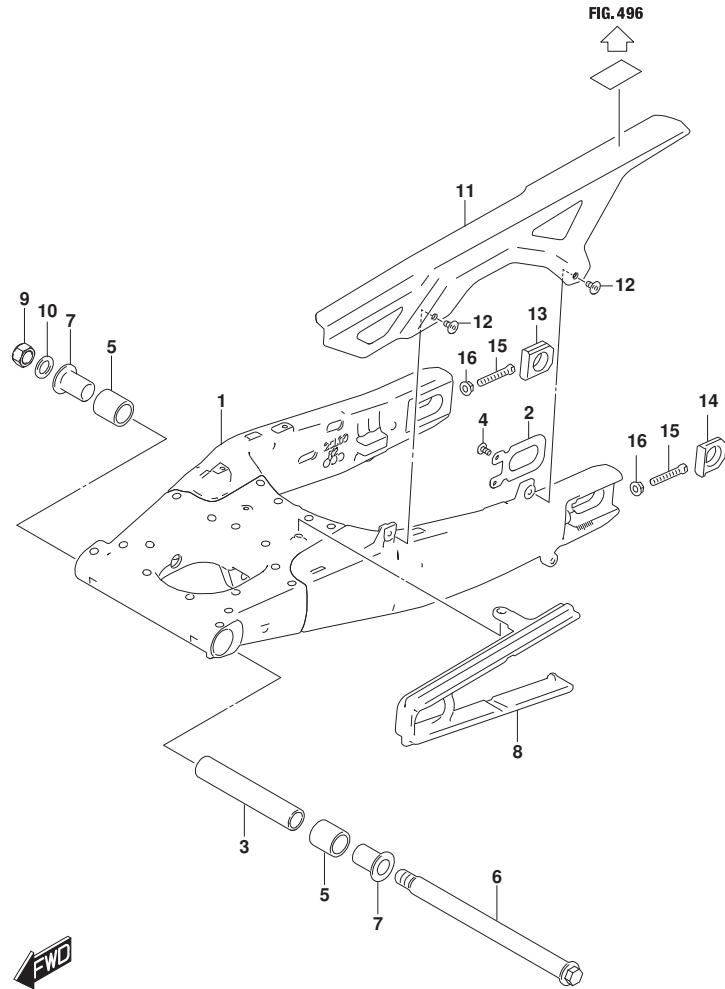


FIG.541A (1-G-2) REAR SWINGARM

REF NO.	PART NO.	DESCRIPTION	Q'TY	REMARKS
1	61100-25L00	SWINGINGARM,REAR	1	
2	61124-44G00	PLATE,RR SWGARM BRKT	1	
3	61282-25L00	SPACER,RR SWGARM PIVOT CTR	1	
4	09122-66010	SCREW	1	
5	09263-25073	BEARING (25X33X35)	2	
6	61211-31E00	SHAFT,REAR SWINGINGARM PIVOT	1	
7	61251-31E00	SPACER,PIVOT BEARING	2	
8	61273-25L00	BUFFER,CHAIN TOUCH DEFENSE	1	
9	09159-18007	NUT	1	
10	09160-18030	WASHER (18.5X28X2.6)	1	
11	61310-25L00	CASE,CHAIN	1	
12	09139-06225	SCREW (6X12)	2	
13	61445-28H11	WASHER,CHAIN ADJUSTER RH	1	
14	61446-35G01	WASHER,CHAIN ADJUSTER LH	1	
15	09100-08287	BOLT (8X50)	2	
16	08316-1008A	NUT	2	

FIG.543A

FIG.543A (1-G-3) REAR CUSHION LEVER

REF NO.	PART NO.	DESCRIPTION	Q'TY	REMARKS
1	62317-47H00	SPACER,RR SHOCK ABS LWR	1	
2	62600-25830	LEVER SET,REAR CUSHION	1	
3	09263-17059	.BEARING	3	
4	09263-20053	.BEARING (20X27X25)	1	
5	09285-17007	.OIL SEAL (17X24X3)	4	
6	09285-20005	.SEAL,OIL (20X27X5)	2	
7	62600-25840	ROD SET,RR CUSHION	1	
8	09263-17059	.BEARING	2	
9	09285-17007	.OIL SEAL (17X24X3)	2	
10	09180-12163	.SPACER,REAR CUSHION ROD	1	
11	62646-37F10	SPACER,RR CUSHION LEVER LWR	1	
12	62658-37F10	BOLT,RR CUSHION LEVER UPPER	1	
13	09103-12031	BOLT,12X155 (L:155)	1	
14	09103-12037	BOLT (12X115)	1	
15	09159-12056	NUT	3	
16	09180-12122	SPACER (12X17X85)	1	

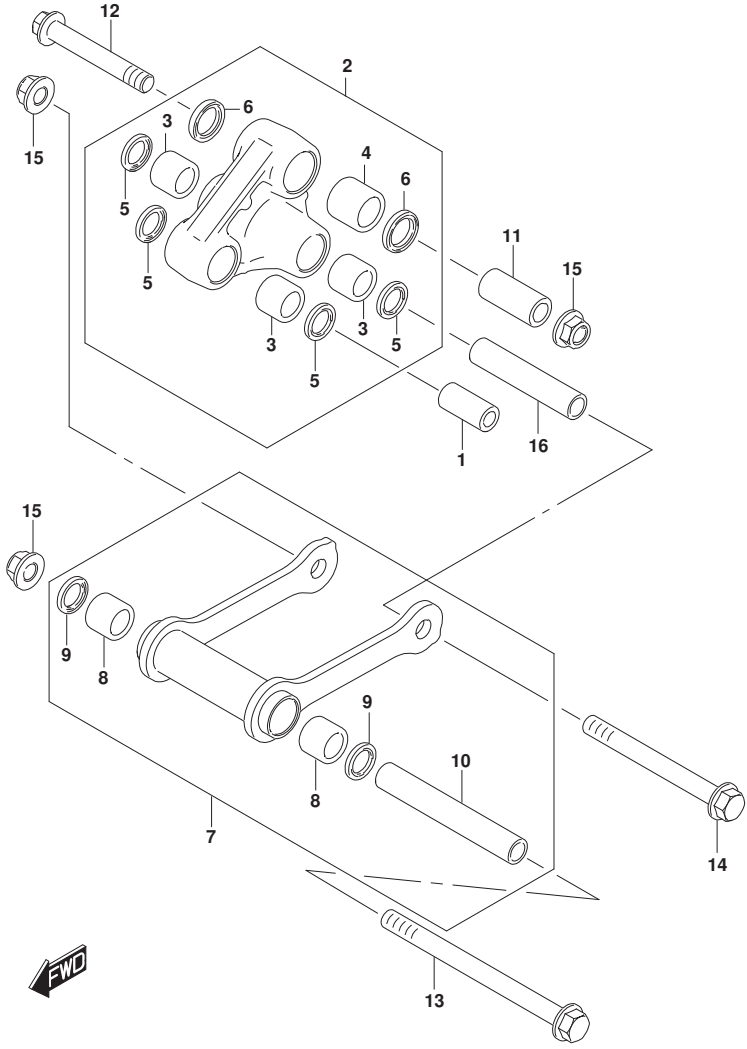


FIG.545A

FIG.545A (1-G-4) REAR SHOCK ABSORBER

REF NO.	PART NO.	DESCRIPTION	Q'TY	REMARKS
1	62100-25L00-17U	ABSORBER ASSY,REAR SHOCK (GRAY)	1	
2	09103-10064	BOLT (10X50)	1	
3	09103-10428	BOLT (10X58)	1	
4	09159-10115	NUT (M10)	2	

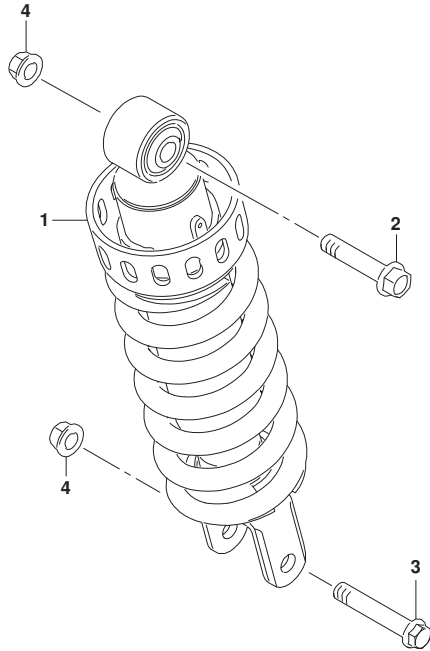


FIG.550A

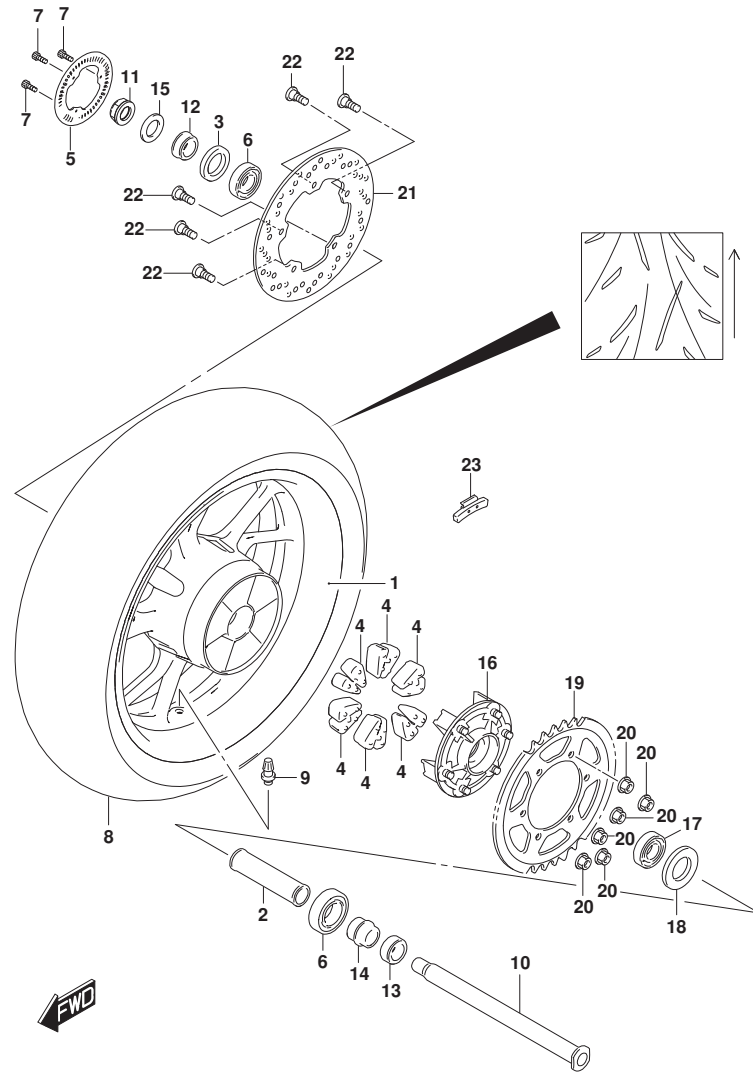


FIG.550A (1-G-5) REAR WHEEL

REF NO.	PART NO.	DESCRIPTION	Q'TY	REMARKS
1-1	64111-25L00-QZB	WHEEL,REAR (BLUE)	1	BODY COLOR:QU1,QU2
1-2	64111-25L00-019	WHEEL,REAR (BLACK)	1	BODY COLOR:KGL
2	64731-44G10	SPACER,REAR WHEEL BEARING	1	
3	09284-37002	SEAL,OIL (37X52X8)	1	
4	64651-47H10	ABSORBER,RR HUB SHOCK	6	
5	54162-27G00	RING,SPEED SENSOR FR (50T)	1	
6	08123-6205B	BEARING	2	
7	07130-0512A	BOLT	3	
8	65110-25L00	TIRE,REAR	1	
9	#43130-24A00	VALVE ASSY,WHEEL RIM (TR412)	1	
10	64711-25L10	AXLE,REAR	1	
11	64721-13K00	NUT	1	
12	64741-44G00	SPACER,REAR AXLE RH	1	
13	64751-44G00	SPACER,REAR AXLE LH	1	
14	64733-44G00	RETAINER,REAR SPROCKET DRUM	1	
15	64723-25L00	WASHER,REAR AXLE	1	
16	64610-47H00	DRUM,REAR SPROCKET	1	
17	09262-32024	BEARING (32X65X17)	1	
18	09285-39001	SEAL,OIL (39X65X7)	1	
19	64511-25L00	SPROCKET,REAR	1	
20	08319-3110A	NUT	6	
21	69211-38G00	DISC,REAR BRAKE	1	
22	09106-08160	BOLT (8X21)	5	
23-1	55411-22H00	BALANCER,WHEEL (10G)	AR	
23-2	55412-22H00	BALANCER,WHEEL (20G)	AR	
23-3	55413-22H00	BALANCER,WHEEL (30G)	AR	

FIG.555A

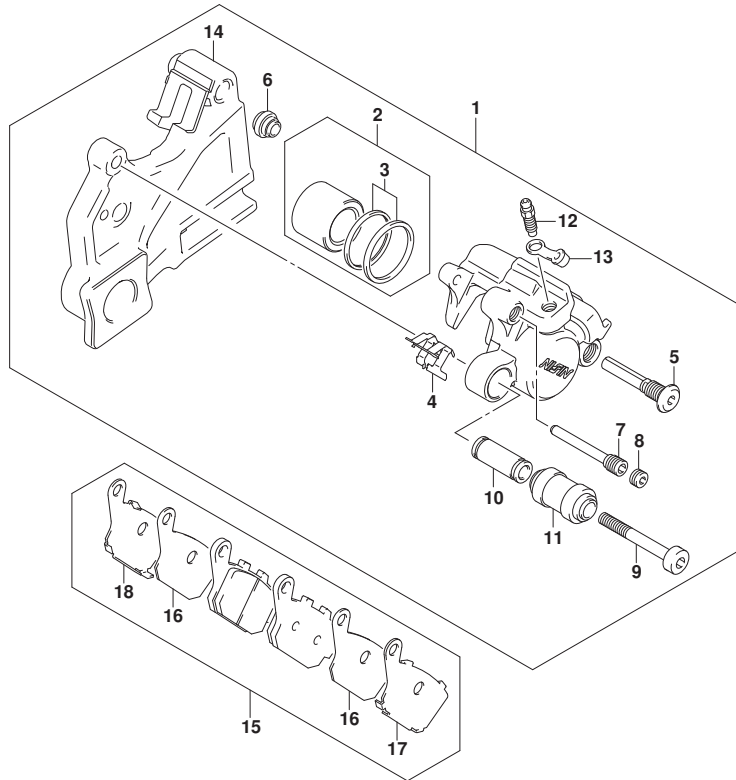


FIG.555A (1-G-6) REAR CALIPER

REF NO.	PART NO.	DESCRIPTION	Q'TY	REMARKS
1	69100-13K20-999	CALIPER ASSY,REAR	1	
2	69100-04810	.PISTON SET	1	
3	69100-04820	..SEAL SET,PISTON	1	
4	69115-04F00	.SPRING,PAD	1	
5	59305-36E00	.PIN,BOLT	1	
6	59303-14500	.BOOT	1	
7	69141-40F00	.PIN,PAD	1	
8	59146-08J00	.PIN PLUG	1	
9	69182-13K20	.BOLT	1	
10	69185-04F00	.SLEEVE	1	
11	69186-04F00	.BOOT,SLEEVE	1	
12	59121-01A00	.BLEEDER	1	
13	59122-46H00	.CAP,BLEEDER	1	
14	69150-13K20	.BRACKET	1	
15	69100-08850	PAD&RETAINER SET	1	
16	69132-08J00	.INSULATOR	2	
17	69133-06G00	.RETAINER	1	
18	69134-06G00	.RETAINER	1	

FIG.557A

FIG.557A (1-G-7) REAR BRAKE HOSE

REF NO.	PART NO.	DESCRIPTION	Q'TY	REMARKS
1	69200-25L10	HOSE ASSY,RR BK MASTER TO UNIT	1	
2	69261-25L00	CLAMP,RR BRAKE HOSE	1	
3	69271-25L00	CLAMP,RR BRAKE HOSE NO.1	1	
4	69275-25L00	CLAMP,RR BRAKE HOSE NO.2	1	
5	69400-25L00	HOSE ASSY,UNIT TO RR BK CLPR	1	
6	09161-10009	WASHER (10X15X1.5)	4	
7	09360-10062	UNION (10X1.25X22)	2	
8	09403-07344	CLAMP	2	
9	01547-0612A	BOLT	3	
10	01547-0630A	BOLT	1	

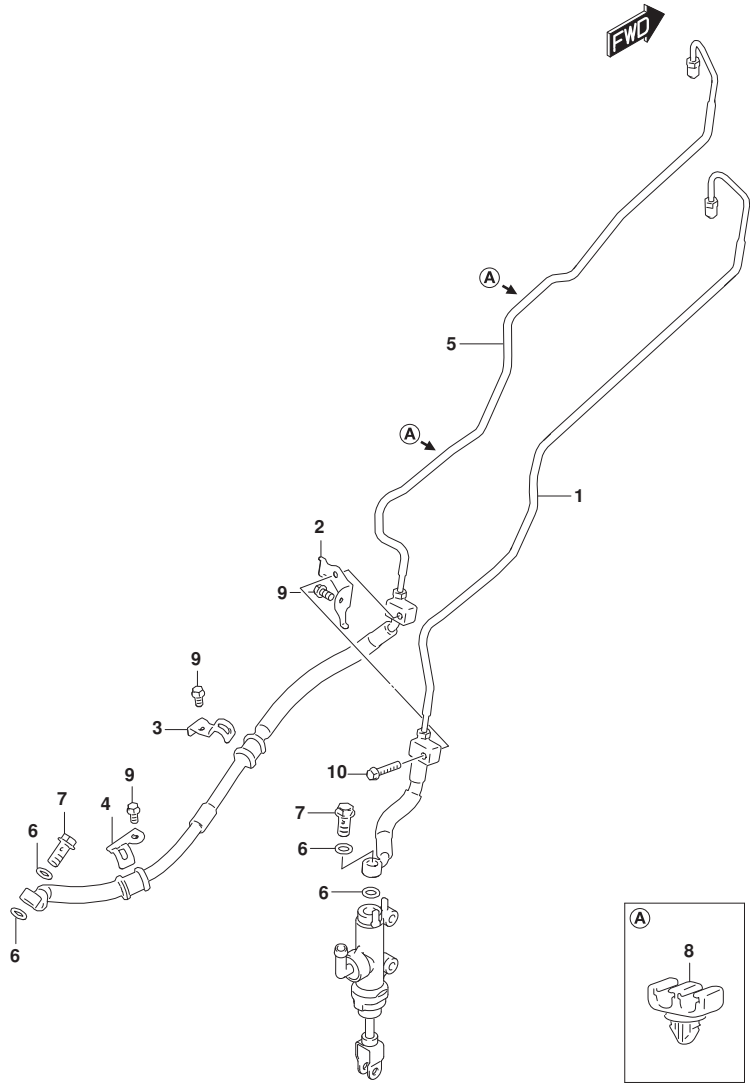


FIG.558A

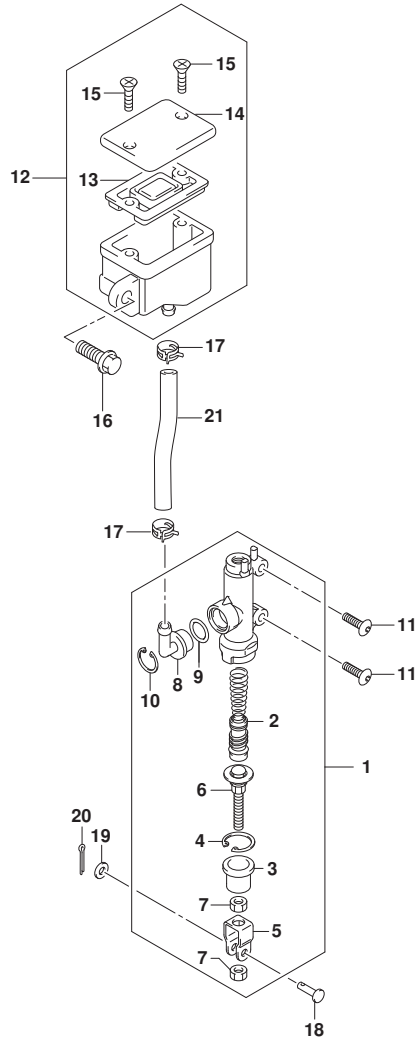


FIG.558A (1-G-8) REAR MASTER CYLINDER

REF NO.	PART NO.	DESCRIPTION	Q'TY	REMARKS
1	69600-47H10	CYLINDER ASSY,REAR MASTER	1	
2	69600-34810	.PISTON/CUP SET	1	
3	69691-00A00	.BOOT	1	
4	69665-47H00	.CIRCLIP	1	
5	69692-44H00	.YOKE	1	
6	69670-40A00	.ROD,PUSH	1	
7	69693-05A00	.NUT	2	
8	69672-00B20	.CONNECTOR	1	
9	69686-34200	.O-RING	1	
10	69674-00B20	.CIRCLIP	1	
11	09139-06028	SCREW (6X20)	2	
12	69740-44G00	TANK ASSY,REAR RESERVOIR	1	
13	59667-04700	.DIAPHRAGM	1	
14	59669-05D00	.CAP	1	
15	69689-04A00	.SCREW	2	
16	01547-0616A	BOLT	1	
17	09401-12404	CLIP (ID:12)	2	
18	09200-06037	PIN (6X17.7)	1	
19	08322-0106A	WASHER	1	
20	04111-2015A	PIN	1	
21	69731-25L00	HOSE,RR RESERVOIR TANK	1	

PART NO.	FIG.NO.-REF.NO.	PART NO.	FIG.NO.-REF.NO.	PART NO.	FIG.NO.-REF.NO.	
10000		12164-46E10-0A0	120A-8-1	12837-25L00	101A-10	
		12164-46E10-0B0	120A-8-2		127A-10	
		12164-46E10-0C0	120A-8-3	12837-49H00	127A-9	
		12164-46E10-0D0	120A-8-4	12891-02F10	126A-3	
		12228-24F00-0A0	108A-11-1	12892-41C00-230	126A-4-1	
	11100-25L00	103A-1	1228-24F00-0B0	108A-11-2	12892-41C00-232	126A-4-2
	11115-25L70	103A-16	108A-11-2	12892-41C00-235	126A-4-3	
	11117-44H00	103A-5	120A-11-2	12892-41C00-238	126A-4-4	
	11141-25L10	101A-2	12228-24F00-0C0	108A-11-3	12892-41C00-240	126A-4-5
		103A-6	120A-11-3	12892-41C00-242	126A-4-6	
	11170-25L00	102A-1	12228-24F00-0D0	108A-10	12892-41C00-245	126A-4-7
	11173-25L00	101A-3	108A-11-4	12892-41C00-248	126A-4-8	
		102A-2	120A-10	12892-41C00-250	126A-4-9	
	11176-25L00	102A-3	120A-11-4	12892-41C00-252	126A-4-10	
	11177-25L00	101A-4	12228-24F00-0E0	108A-11-5	12892-41C00-255	126A-4-11
		102A-4	120A-11-5	12892-41C00-258	126A-4-12	
	11178-33E00	101A-5	12228-24F00-0F0	108A-11-6	12892-41C00-260	126A-4-13
		102A-5	120A-11-6	12892-41C00-262	126A-4-14	
11178-69L00	102A-6	12229-25L00-0A0	120A-12-1	12892-41C00-265	126A-4-15	
11210-25L00-0F0	107A-1	12229-25L00-0B0	120A-12-2	12892-41C00-268	126A-4-16	
11217-85FA0	180A-2	12229-25L00-0C0	120A-12-3	12892-41C00-270	126A-4-17	
11241-25L00	101A-6	12229-25L00-0D0	120A-12-4	12892-41C00-272	126A-4-18	
	107A-2	12229-25L00-0E0	120A-12-5	12892-41C00-275	126A-4-19	
11300-25820	108A-1	12229-25L00-0A0	124A-13-1	12892-41C00-278	126A-4-20	
11319-33E50	108A-2	12229-25L00-0B0	124A-13-2	12892-41C00-280	126A-4-21	
11322-25L00	108A-3	12229-25L00-0C0	124A-13-3	12892-41C00-282	126A-4-22	
11323-25L00	108A-4	12229-25L00-0D0	124A-13-4	12892-41C00-285	126A-4-23	
11340-25L10	114A-1	12600-25830	122A-3	12892-41C00-288	126A-4-24	
11351-25L10	113A-1	12600-25L00	122A-1	12892-41C00-290	126A-4-25	
11360-25L10	113A-2	12601-25L00	124A-1	12892-41C00-292	126A-4-26	
11370-25L00	114A-3	12602-25L00	124A-7	12892-41C00-295	126A-4-27	
11390-25L00	109A-1	12610-25L00	122A-2	12892-41C00-298	126A-4-28	
11400-25820	101A-1	12615-24F00	122A-4	12892-41C00-300	126A-4-29	
11482-25L00	101A-7	12615-25L00	122A-5	12892-41C00-302	126A-4-30	
	114A-5	12662-25L10	124A-2	12892-41C00-305	126A-4-31	
11483-25L00	101A-8		124A-8	12892-41C00-308	126A-4-32	
	113A-3	12663-25L00	124A-3	12892-41C00-310	126A-4-33	
11489-25L00	101A-9		124A-9	12892-41C00-312	126A-4-34	
	116A-1	12666-25L00	124A-4	12892-41C00-315	126A-4-35	
11511-25L00	116A-2		124A-10	12892-41C00-318	126A-4-36	
11611-25L00	103A-13	12701-25L00	126A-1	12892-41C00-320	126A-4-37	
11959-10LB0	496A-5	12702-25L00	126A-2	12892-41C00-322	126A-4-38	
11971-25D00	114A-8	12760-25L00	127A-1	12892-41C00-325	126A-4-39	
11971-48H00	114A-2	12771-25L00	127A-2	12892-41C00-328	126A-4-40	
12000-25810	120A-9	12782-25L00	127A-3	12892-41C00-330	126A-4-41	
12111-25L00-0F0	120A-1	12800-41810	126A-12	12892-41C00-332	126A-4-42	
12140-25L00	120A-2	12811-25L00	127A-4	12892-41C00-335	126A-4-43	
12151-07D10	120A-3	12812-31G00	127A-5	12892-41C00-338	126A-4-44	
12160-25L00	120A-5	12830-25L00	127A-7	12892-41C00-340	126A-4-45	
12163-24F10	120A-6	12833-25L00	127A-8	12892-41C00-342	126A-4-46	

PART NO.	FIG.NO.-REF.NO.	PART NO.	FIG.NO.-REF.NO.	PART NO.	FIG.NO.-REF.NO.
12892-41C00-345	126A-4-47	14183-25L00	163A-25	17853-25L00	187A-4
12892-41C00-348	126A-4-48	14760-25L00	163A-3	17855-25L00	187A-5
12892-41C00-350	126A-4-49	14770-25L00	163A-4		187A-16
12911-25L00	126A-5	14781-25L00	163A-11	17856-25L00	187A-6
12912-25L00	126A-6	14785-25L00	163A-12	17860-25L00	187A-7
12921-25L00	126A-7	14786-25L00	163A-13	17861-25L00	101A-15
12931-41K00	126A-8	14789-29F01	163A-23		187A-8
12932-27A00	126A-9	14790-25L00	163A-14	17910-25L00	187A-17
12933-25L00	126A-10	14795-10FA0	163A-15	17913-25L00	187A-21
12934-69L00	126A-11	15100-25L00	172A-1	17931-25L00	187A-18
13101-25L00	140A-22	15121-25L00	172A-2	17934-25L00	187A-19
13127-25L00	140A-23	15122-17K00	172A-3	17935-25L00	187A-20
13170-25L00	140A-24	15201-07L00	172A-4	17981-25L00	187A-22
13268-48700	140A-2	15710-17K00	140A-15	17995-14JP1	496A-4
13269-33E00	140A-3	15717-58B00	140A-16	18114-74P00	427A-1
13295-29901	140A-4	15722-14J00	140A-17	18213-25L40	163A-27
13374-32G00	140A-5	15810-25L00	172A-5	18450-28K00	189A-1
13400-25L00	140A-1	15821-25L00	172A-6	18461-25L00	189A-2
13471-25L00	140A-6	16310-25L00	116A-6	18510-29G31	189A-3
13472-25L00	140A-7	16321-01H00	116A-7	18531-25L00	189A-4
13473-25L00	140A-8	16331-25L00	116A-8	18560-25L00	427A-2
13601-11J00	140A-9	16400-25L00	116A-9	18561-25L00	427A-11
13602-29G01	140A-10	16440-24F00	116A-10	18562-25L00	427A-12
13606-47A00	140A-11	16461-25L00	178A-4	18563-25L00	427A-13
13650-41F10	155A-19	16471-25L00	178A-5	18565-25L00	427A-3
13650-49X00	187A-31	16491-33E00	116A-12	18568-25L00	427A-4
13655-41F10	155A-20	16510-07J00	109A-15	18570-25L00	427A-9
13671-12C00	140A-12	16520-25L00	116A-17	18572-25L00	427A-5
13682-25L00	140A-13	16591-06B01	109A-16	18590-18K10	140A-19
13685-04F10	140A-14	16600-25L00	178A-1	18596-25L00	140A-20
13700-25L00	155A-1	16611-48K00	101A-12	18610-25L00	189A-5
13741-25L00	155A-2		178A-2	18710-25L00	189A-6
13746-25L00	155A-3	17400-25L00	180A-1		
	155A-4	17421-25L00	101A-13		
13780-25L00	155A-5		180A-5		
13786-25L00	155A-6	17431-25L00	101A-14		
13826-25L00	155A-7		180A-6		
13827-25L00	155A-8	17568-50F00	187A-1		
13853-25L00	155A-9	17661-25L00	180A-8		
13878-10G01	155A-10	17670-81AB1	180A-9		
13881-25L00	155A-11	17700-25L00	185A-1	21111-25L00	120A-13
13882-25L00	155A-12	17711-14G00	185A-2	21112-25L00	120A-14
13891-25L00	155A-13	17730-14G00	185A-7	21114-25L00	120A-15
13892-25L00	155A-14	17740-25L00	185A-8	21121-25L00	120A-19
14100-25L00	163A-1	17750-25L00	185A-9	21200-25810	201A-1
14140-25L00	163A-20	17802-14F00	185A-3	21253-01H10	201A-2
14181-04K00	101A-11	17810-25L00	185A-4	21411-25L00	201A-6
	163A-2	17812-25L00	185A-5	21412-31J00	201A-7
14181-25L00	163A-21	17851-25L00	187A-2	21413-25L00	201A-8
14182-25L00	163A-22	17852-25L00	187A-3	21414-25L00	201A-9

20000

PART NO.	FIG.NO.-REF.NO.	PART NO.	FIG.NO.-REF.NO.	PART NO.	FIG.NO.-REF.NO.
21415-31J00	201A-10	25518-01H00	212A-17	34186-25L00	330A-4
21441-36F50	201A-11	25518-06L00	212A-18	34187-48K01	330A-2
21442-41G20	201A-12	25519-01H00	212A-19	34810-25L00	172A-9
21451-25L10	201A-13	25519-25L00	212A-20	34815-25L00	172A-10
21451-41G30	201A-14	25520-01H11	212A-28	34955-10L10	330A-3
21452-25L00	201A-15	25525-25L00	212A-45	35100-48K02	333A-1
21462-25L00	201A-16	25526-01H00	212A-29	35222-34J80	334A-3
21471-41G00	201A-17		212A-31		334A-6
21472-41G20	201A-18	25526-25L00	212A-46		334A-11
23110-38B00	201A-23	25600-25L00	212A-30		334A-14
23111-25L00	201A-24	25617-18H00	212A-33	35601-25L20	334A-1
23121-25L00	201A-25	25652-20C00	212A-32	35602-25L20	334A-4
23122-25L00	201A-26	25671-01011	212A-21	35603-25L20	334A-9
23123-41G00	201A-27	25680-25L00	212A-47	35604-25L20	334A-12
23124-25L00	201A-28	27511-20A21	206A-46	35610-25L00	334A-2
23125-44G00	201A-29	27531-25L00	206A-28		334A-13
23271-41G00	201A-30	27600-06G40-120	206A-47	35630-25L00	334A-5
24120-25L00	206A-1	27620-06G40	206A-48		334A-10
24131-25L00	206A-17			35710-25L00	339A-2
24221-25L00	206A-2			35781-17K00	333A-2
24231-25L00	206A-3			35950-25L00	333A-8
24251-25L00	206A-4			35970-07F01	339A-7
24252-35F00	206A-5	30000		36101-25L00	333A-5
24261-25L00	206A-6			36102-25L00	333A-6
24262-35F10	206A-7			36125-81P00	474A-1
24311-25L00	206A-18	31100-25L00	301A-1	36610-25L00	350A-1
24315-25L00	206A-19	31132-18H00	301A-2	36620-25L00	350A-5
24321-25L00	206A-20	31143-49040	301A-3	36654-28K00	350A-6
24331-25L00	206A-21	31156-98E00	301A-4	36744-06L00	350A-16
24332-24F20	206A-22	31264-38F10	301A-5	36851-25L00	350A-7
	206A-23	31280-19F10	301A-6	37100-25L10	352A-2
24333-47H00	206A-24	31800-06G02	311A-1	37101-25840	352A-1
24341-25L00	206A-25	31861-47E00	311A-3	37146-13K00	352A-5
24351-25L00	206A-26	32101-25L00	303A-1	37152-17K00	352A-3
24361-25L00	206A-27	32102-25L00	303A-2	37400-25L00	355A-2
24741-25L00	206A-40	32155-25L00	303A-3	37730-48K10	212A-40
24751-18H00	206A-41	32371-25L00	303A-4	37740-25L10	350A-8
24751-25L00	206A-42	32800-26J10	313A-1	37820-33D11	109A-17
24770-18H10	206A-8	32910-06L00	322A-1	37822-33D00	109A-18
25211-01H11	212A-1	33410-38H10	316A-1	37840-25L00	350A-11
25231-25L00	212A-2	33630-33E01	310A-1	38500-48H31	350A-13
25310-25L00	212A-4	33651-37000	322A-2	38610-23K00	334A-17
25312-17K00	212A-6	33652-20C10	310A-2	38860-06L00	350A-17
25350-06G00	212A-11	33652-25L00	310A-3		
25355-18H00	212A-12	33652-39000	322A-3		
25381-17K00	212A-7	33810-25L00	310A-5		
25411-24F00	212A-3	33820-25L00	310A-6		
25500-25L00	212A-27	33960-06G10	322A-4		
25510-25L00	212A-15	33972-31D00	339A-1		
25512-06G20	212A-16	34100-25L00	330A-1		

40000

PART NO.	FIG.NO.-REF.NO.	PART NO.	FIG.NO.-REF.NO.	PART NO.	FIG.NO.-REF.NO.
41100-25L00	401A-1	45289-11F00	505A-11	51120-25L00	521A-19
41200-25L00-QU1	401A-2-1	45290-20K00	505A-14	51121-26E10	521A-4
41200-25L00-YPT	401A-2-2	45300-25L20-QZF	505A-12		521A-21
41920-25L00	401A-7	45380-25L00	505A-15	51126-25L00	521A-31
41922-25L00	401A-8	46420-25L00	406A-10	51128-25L00	521A-32
42310-25L00	407A-1	47110-25L00-QU1	434A-1-1	51131-25L00	521A-5
42330-25L00	407A-2	47110-25L00-QU2	434A-1-2		521A-22
42710-25L00	401A-3	47110-25L00-YKV	434A-1-3	51146-25L00	521A-15
42720-25L00	401A-4	47210-25L00-QU1	434A-3-1	51147-05H00	521A-16
43110-25L00	407A-8	47210-25L00-QU2	434A-3-2	51147-31J00	524A-5
43130-24A00	530A-12	47210-25L00-YKV	434A-3-3	51148-41310	521A-17
	550A-9	47311-25L00	433A-1	51152-13K00	521A-6
43142-25L00	407A-9	47312-37H20	434A-5		521A-23
43511-25L00	415A-1	47315-25L00	433A-5	51153-10G50	521A-7
43516-18K00	415A-2	47321-20K01	505A-4		521A-24
43521-25L00	415A-3	47321-25L00	433A-2	51156-49440	521A-8
43526-18K00	415A-4	47376-20E00	474A-3		521A-25
43571-25L00	415A-5	47411-25L00	443A-1	51158-05A00	521A-9
43572-25L00	415A-6	47430-25L00	406A-7		521A-26
43576-07D01	415A-7	47431-25L00	406A-1	51171-25L00	521A-10
43611-20K20	417A-1	47433-25L00	406A-3		521A-27
43621-20K20	417A-2	47436-25L00	406A-12	51173-14F00	521A-11
43811-25L00	417A-3	47437-25L00	406A-13		521A-28
43816-01H20	417A-5	47511-25L00	447A-7	51176-25L00	521A-30
43821-25L00	417A-4	47512-25L00	447A-8	51176-48G10	521A-13
43910-37F00	401A-10	47521-25L00	447A-9	51193-48K00	521A-33
44100-25L00-YKV	420A-1-1	47522-25L00	447A-10	51311-25L00-YTA	524A-1
44100-25L00-YVB	420A-1-2	47540-25L00-QU1	447A-1-1	51328-46H00	524A-2
	420A-4	47540-25L00-QU2	447A-1-2		524A-3
44173-14J00	433A-3	47540-25L00-YKV	447A-1-3	51344-13K00	524A-10
44200-17840	420A-2	47545-25L00	447A-12	51351-39G60	521A-12
44244-11J00	420A-3	47550-25L00-QU1	447A-4-1		521A-29
44292-10L00	339A-3	47550-25L00-QU2	447A-4-2	51352-13A60	521A-14
44423-25L00	420A-21	47550-25L00-YKV	447A-4-3	51353-13K00	524A-11
44512-04K00	420A-5	47561-25L00	422A-1	51356-13K00	524A-12
44530-25L00	420A-6	47912-37H00	420A-12	51410-25L00-YTA	524A-6
44541-02F01	420A-7		447A-13	51434-40H20	521A-34
44541-25L00	420A-8			51482-26F00	524A-9
44542-25L00	420A-9			51631-08D30	524A-14
44550-25L00	420A-10			51643-01B10	524A-15
44561-25L10	420A-11			51644-12C00	524A-7
44894-24A00	474A-2			51811-25L00	451A-1
45100-25L20-QZF	505A-1	50000		51812-25L00-QU1	451A-2-1
45148-27J00	433A-4			51812-25L00-QU2	451A-2-2
	505A-2			51812-25L00-YKV	451A-2-3
45149-20K00	505A-3	51103-25L00	521A-1	51813-25L00-QU1	451A-3-1
45210-21K00	505A-13	51104-25L00	521A-18	51813-25L00-QU2	451A-3-2
45220-47H00	505A-24	51110-25L00	521A-2	51813-25L00-YKV	451A-3-3
45280-20K00	505A-9	51117-39G20	521A-3	51823-25L00	451A-4
45288-14F00	505A-10		521A-20	51825-25L00	451A-5

PART NO.	FIG.NO.-REF.NO.	PART NO.	FIG.NO.-REF.NO.	PART NO.	FIG.NO.-REF.NO.
51827-13G00	474A-4	58620-25L00	466A-2	61100-25L00	541A-1
51831-30H10	451A-6	58634-25L00	466A-3	61124-44G00	541A-2
51850-25L00	451A-7	59100-23810	535A-3	61211-31E00	541A-6
51860-25L00	451A-8		535A-12	61251-31E00	541A-7
53111-25L00-QU2	460A-1-2	59100-23852	535A-19	61273-25L00	541A-8
53111-25L00-YKV	460A-1-1	59100-23860	535A-2	61282-25L00	541A-3
53120-25L00	460A-2		535A-11	61310-25L00	541A-11
54111-25L00-019	530A-1-2	59100-23H40-999	535A-1	61445-28H11	541A-13
54111-25L00-QZB	530A-1-1	59121-01A00	535A-4	61446-35G01	541A-14
54162-27G00	550A-5		535A-13	62100-25L00-17U	545A-1
54162-44H00	530A-9		555A-12	62317-47H00	543A-1
54711-25L10	530A-5	59122-01A00	535A-5	62600-25830	543A-2
54731-14J00	530A-2		535A-14	62600-25840	543A-7
54751-14J00	530A-6	59122-46H00	555A-13	62646-37F10	543A-11
55110-25L00	530A-11	59133-23H00	535A-20	62658-37F10	543A-12
55411-22H00	530A-13-1	59145-23H00	535A-6	63111-25L00	474A-5
	550A-23-1		535A-15	63112-25L00	474A-6
55412-22H00	530A-13-2	59146-08J00	555A-8	63113-15H10	310A-4
	550A-23-2	59146-21E10	535A-9	63113-25L00	474A-7
55413-22H00	530A-13-3		535A-18	63114-25L00	474A-8
	550A-23-3	59151-23H00	535A-8	63115-25L00	474A-9
55610-25L00	533A-1		535A-17	63116-25L00	474A-10
55650-25L00	533A-2	59210-44G11	530A-7	63117-25L00	474A-11
55662-10G00	533A-3	59240-25L00	536A-1	63121-25L00	474A-12
55663-10G00	533A-4	59251-25L00	536A-2	63122-25L00	474A-13
55710-25L00	526A-1	59300-23H40-999	535A-10	64111-25L00-019	550A-1-2
55731-06L00	526A-2	59303-14500	555A-6	64111-25L00-QZB	550A-1-1
56111-25L00	462A-1	59305-36E00	555A-5	64511-25L00	550A-19
56211-13K00-YTA	524A-4	59345-00B20	535A-7	64610-47H00	550A-16
56277-17K00	462A-2		535A-16	64651-47H10	550A-4
56278-25L10	462A-3	59400-25L00	536A-3	64711-25L10	550A-10
56500-08JA0	464A-1	59480-25L00	536A-4	64721-13K00	550A-11
56600-08JA0	464A-2	59600-42F40	537A-1	64723-25L00	550A-15
57059-25D50	467A-11	59601-45810	537A-2	64731-44G10	550A-2
57100-06L60	467A-1	59664-32F00	537A-10	64733-44G00	550A-14
57110-06L00	467A-2	59666-44300	537A-3	64741-44G00	550A-12
57211-21H01	467A-10	59667-04700	558A-13	64751-44G00	550A-13
57300-44G20	467A-5	59667-49460	537A-4	65110-25L00	550A-8
57431-17H02	467A-6	59668-41C00	537A-5	65710-25L00	526A-3
57431-21D11	467A-13	59669-05D00	558A-14	68111-25L00-019	447A-2-1
57441-08C01	467A-14	59669-10G20	537A-6		447A-5-1
57442-08C01	467A-15	59671-32F00	537A-8	68111-25L00-YKV	447A-2-2
57460-14J02	467A-8	59675-02FA0	537A-9		447A-5-2
57465-17C00	467A-9			68131-25L00-CK6	434A-2-1
57500-25D50	467A-12			68131-25L00-CK7	434A-2-2
57560-05A00	467A-19			68131-25L00-CK8	434A-2-3
57562-41G01	467A-20			68136-25L00-CLB	447A-3-1
57621-25D10	467A-16			68136-25L00-CLD	447A-3-2
57661-33E01	467A-21			68136-25L00-KGL	447A-3-3
58200-25L00	466A-1			68141-25L00-CK6	434A-4-1

60000

PART NO.	FIG.NO.-REF.NO.	PART NO.	FIG.NO.-REF.NO.	PART NO.	FIG.NO.-REF.NO.			
68141-25L00-CK7	434A-4-2	69693-05A00	558A-7	01547-0630A	116A-5			
68141-25L00-CK8	434A-4-3	69731-25L00	558A-21		140A-21			
68146-25L00-CLB	447A-6-1	69740-44G00	558A-12		557A-10			
68146-25L00-CLD	447A-6-2			01547-0645A	108A-5			
68146-25L00-KGL	447A-6-3			01547-0655A	108A-6			
	422A-2			01550-0610A	420A-18			
68319-06L00	496A-1-1			01550-0610B	401A-6			
68319-06L20	496A-1-2			01550-0612A	103A-9			
68319-06L30	496A-1-3				155A-18			
68319-06L40	496A-1-4				474A-23			
68319-06L50	496A-1-5				533A-6			
68319-06L70	496A-1-6				451A-16			
68319-06L80	496A-1-7				01550-0616A	185A-13		
68319-06L90	496A-1-8				451A-17			
68319-06LA0	496A-1-9				466A-7			
68319-06LB0	496A-1-10				116A-19			
68319-06LP0	496A-1-11				350A-12			
68332-25L00	496A-2				01550-0625A	313A-3		
68386-14J01	496A-3				01550-0816B	163A-9		
69100-04810	555A-2				350A-15			
69100-04820	555A-3				108A-7			
69100-08850	555A-15				01550-0860A	108A-8		
69100-13K20-999	555A-1				01550-0895A	108A-9		
69115-04F00	555A-4				01550-1025A	407A-6		
69132-08J00	555A-16				01550-1030B	163A-10		
69132-23H00	535A-21				02112-0530B	467A-3		
69133-06G00	555A-17				02112-0540B	467A-4		
69134-06G00	555A-18				02122-0616A	140A-25		
69141-40F00	555A-7				02142-0520A	155A-17		
69150-13K20	555A-14				02142-1520A	434A-11		
69182-13K20	555A-9				02162-0612A	185A-14		
69185-04F00	550A-11				03511-0516A	155A-21		
69186-04F00	555A-11				03541-0512A	406A-16		
69200-25L10	557A-1					443A-3		
69211-38G00	550A-21					451A-18		
69261-25L00	557A-2					187A-30		
69271-25L00	557A-3					333A-7		
69275-25L00	557A-4					406A-6		
69400-25L00	557A-5					03541-0516B	447A-20	
69600-34810	558A-2					474A-22		
69600-47H10	558A-1					558A-20		
69665-47H00	558A-4					04111-2015A	558A-20	
69670-40A00	558A-6					04211-09149	113A-12	
69672-00B20	558A-8					04211-11169	107A-3	
69674-00B20	558A-10					04211-13189	103A-10	
69686-34200	558A-9					04221-04089	120A-7	
69689-04A00	558A-15						212A-5	
69689-49300	537A-7						417A-9	
69691-00A00	558A-3						07120-0612B	420A-19
69692-44H00	558A-5						07120-0616A	172A-8
							07120-0620A	178A-3

90000

00000

PART NO.	FIG.NO.-REF.NO.	PART NO.	FIG.NO.-REF.NO.	PART NO.	FIG.NO.-REF.NO.
07120-0695A	187A-15	09103-06532	180A-7	09139-06153	206A-44
07120-0816B	420A-20	09103-06533	113A-11	09139-06159	206A-45
07130-0512A	401A-9	09103-08083	401A-11	09139-06188	406A-2
	303A-8	09103-10064	545A-2	09139-06206	333A-3
	303A-9	09103-10338	120A-18		460A-4
	530A-10	09103-10394	212A-48	09139-06211	406A-14
	550A-7	09103-10428	545A-3	09139-06220	451A-11
07130-0612A	127A-6	09103-12031	543A-13	09139-06222	460A-5
07130-0625B	127A-11	09103-12037	543A-14	09139-06225	447A-15
07130-0635A	303A-10	09103-12143	109A-12		474A-16
08123-6205B	550A-6	09103-12144	109A-13		541A-12
08211-06141	212A-14	09103-12145	103A-14	09139-06240	163A-7
08310-0006A	201A-40	09103-12146	303A-5	09139-06244	505A-22
08316-1006A	313A-4	09106-05023	212A-41	09139-06247	447A-11
	334A-8	09106-06075	109A-2	09140-06020	212A-35
	334A-16	09106-08160	530A-8	09140-06025	212A-36
	427A-10		550A-22	09148-05038	187A-25
	474A-24	09106-08178	163A-5		434A-7
	505A-17	09106-08181	415A-8		447A-17
08316-1008A	541A-16	09106-08214	417A-6		451A-12
08319-2106A	467A-7	09106-10096	535A-22		474A-17
	467A-18	09106-10100	401A-5	09159-05019	434A-8
08319-3105A	339A-8	09106-10102	103A-15	09159-10115	545A-4
08319-3110A	407A-7	09111-06041	212A-13	09159-12056	543A-15
	550A-20	09111-06106	460A-3	09159-12072	109A-14
08322-0106A	474A-25	09111-06107	474A-15	09159-18007	541A-9
	558A-19	09111-10059	407A-3	09159-20004	206A-49
08331-31109	116A-16	09116-06150	533A-5	09159-24010	201A-20
08331-3114A	212A-26	09116-06172	420A-13	09160-05046	474A-18
08331-3118A	407A-13	09116-08176	163A-6	09160-05051	330A-5
08331-31409	120A-17	09118-06097	185A-10	09160-06088	505A-16
08331-31529	124A-6	09122-66010	541A-4	09160-08159	350A-14
	124A-12	09126-06011	206A-43	09160-10020	201A-32
08332-1106A	415A-11	09126-06014	212A-22	09160-10144	212A-37
	417A-10	09126-06019	505A-21	09160-12036	303A-6
08361-3506A	301A-8	09128-06013	311A-4	09160-15045	201A-33
09100-05022	102A-7	09132-05068	163A-16	09160-18022	407A-10
09100-08287	541A-15	09135-06027	189A-7	09160-18030	541A-10
09103-06148	103A-7	09135-06034	187A-10	09160-18037	212A-38
09103-06222	113A-4		187A-24	09160-25036	201A-3
09103-06266	103A-2	09135-06035	113A-6	09160-25056	201A-19
09103-06525	187A-9	09136-05062	339A-5	09160-25073	201A-4
	187A-23	09136-06056	434A-6	09160-27008	206A-9
09103-06527	114A-6	09136-06147	212A-8	09161-10009	536A-5
	180A-4	09139-05091	451A-9		557A-6
	201A-31	09139-05092	447A-16	09164-24008	201A-21
09103-06528	113A-5	09139-05094	451A-10	09167-27001	206A-10
	212A-34	09139-06028	558A-11	09168-06018	113A-7
09103-06529	114A-7	09139-06122	163A-24	09168-06023	103A-8
09103-06530	113A-10		163A-26	09168-06026	187A-11

PART NO.	FIG.NO.-REF.NO.	PART NO.	FIG.NO.-REF.NO.	PART NO.	FIG.NO.-REF.NO.
09168-10002	109A-9	09263-17059	543A-3	09380-27004	206A-14
09168-12017	187A-32		543A-8	09380-27006	206A-15
09168-14002	109A-3	09263-20053	543A-4		206A-16
	116A-4	09263-20087	206A-30	09380-30009	206A-34
09168-16002	109A-4	09263-20123	206A-12		206A-35
	113A-8	09263-24030	206A-31		206A-36
09169-06032	313A-2	09263-25018	212A-10	09381-18002	120A-4
09169-06100	334A-7	09263-25073	541A-5	09401-08411	187A-27
	334A-15	09263-30018	206A-32	09401-10401	427A-6
09180-06256	163A-18	09263-35045	201A-5	09401-11403	427A-7
09180-06283	434A-9	09265-25038	524A-16	09401-12404	558A-17
09180-06290	185A-11	09265-30020	524A-8	09401-14301	155A-15
09180-08152	163A-7	09267-30011	206A-33	09401-16401	155A-16
09180-12122	543A-16	09280-04004	109A-7	09401-16407	178A-6
09180-12163	543A-10	09280-13004	116A-11		187A-12
09181-08167	401A-12	09280-17003	114A-9	09401-17201	189A-8
09181-10158	116A-13	09280-22008	113A-14	09401-18101	189A-9
09181-14195	212A-23	09280-22024	116A-18	09401-19001	187A-13
09181-24005	206A-29	09280-26005	212A-42	09403-07344	557A-8
09181-25223	201A-22	09280-26007	103A-4	09403-11330	187A-28
09181-25268	206A-50	09282-10012	201A-37	09403-16412	420A-15
09181-30167	206A-37	09283-06013	201A-38		536A-8
09200-06037	558A-18	09283-14005	212A-25	09403-17403	187A-29
09202-04017	124A-5	09283-28028	530A-4	09403-20307	187A-14
	124A-11	09283-42018	206A-39	09403-20311	212A-43
09206-08001	103A-3	09284-37002	550A-3		466A-4
09206-12007	122A-6	09285-10004	201A-39	09404-06038	189A-10
09208-08018	417A-7	09285-17007	543A-5	09407-10403	350A-9
09208-08019	415A-9		543A-9	09407-14403	212A-44
09247-14036	116A-3	09285-20005	543A-6	09407-14407	212A-39
09248-10010	109A-10	09285-20006	206A-13		350A-10
09248-14011	109A-5	09285-39001	550A-18		352A-4
09248-16012	109A-6	09320-08066	163A-19		355A-1
	113A-9	09320-09016	406A-15		355A-3
09248-26001	180A-3		460A-6	09407-17403	466A-5
09250-06015	524A-13	09320-09501	333A-4	09407-18402	505A-23
09250-06017	434A-10	09320-10050	420A-14	09407-20405	420A-16
09250-08012	103A-11	09320-10051	185A-6	09408-00043	420A-17
09251-09008	433A-6	09320-10073	339A-6	09408-00184	526A-4
09259-26012	113A-13	09320-12077	163A-8	09408-00241	526A-5
09261-04009	116A-14	09321-10012	406A-4	09408-00266	526A-6
09261-06003	206A-38		505A-5		526A-7
09262-22049	530A-3	09329-10001	505A-6	09409-06314	406A-5
09262-25006	212A-9	09329-18001	185A-12		422A-3
09262-25073	206A-11	09352-50901-600	187A-26		443A-2
09262-32024	550A-17	09355-13207-600	407A-11		447A-21
09263-10014	201A-34	09355-35007-030	140A-18		451A-13
09263-12027	201A-35	09360-10062	536A-6		474A-19
09263-14027	212A-24		557A-7		474A-20
09263-15003	201A-36	09360-10064	536A-7	09409-06328	451A-14

SUZUKI GSX800M3 PARTS CATALOGUE

SUZUKI MOTOR CORPORATION All rights reserved

No part of this document may be reproduced or transmitted in any form or by any means, electronic or mechanical, for any purpose, without the express written permission of Suzuki Motor Corporation.

SUZUKI MOTOR CORPORATION

Service Material Development Group, Automobile & Motorcycle Service Engineering Dept.
300 Takatsuka, Minami, Hamamatsu, Japan

SUZUKI MOTOR CORPORATION