



SUZUKI PARTS CATALOGUE

GSX250FRLMM3

GSXER SF 250

PREFACE

When it becomes necessary to replace parts on SUZUKI MOTORCYCLES, always use SUZUKI GENUINE PARTS which have passed a strict inspection which guarantees quality and performance.

This parts catalogue covers the list of all service parts for SUZUKI GSX250FRLMM3, GSX250FRLNM3.

INSTRUCTIONS FOR QUOTING THE CATALOGUE

1. DIMENSIONS

Dimensions of the parts in this catalogue are indicated in unit millimeters.

2. ABBREVIATIONS

Abbreviations used in this catalogue are as follows:

AR	: As required	NT	: Number of teeth
ASSY	: Assembly	OPT	: Optional
E. NO.	: Engine number	OS	: Over size
F. NO.	: Frame number	STD	: Standard
D	: Diameter of material	T	: Thickness
ID	: Inside diameter	US	: Under size
OD	: Outside diameter	W	: Width
L	: Length		
LH	: Left hand side		
RH	: Right hand side		
~100045	: Up to F. NO. A100-100045		
100046~	: From F. NO. A100-100046		
12 x 34 x 5.6.....	Figures in the description column		
	show the dimensions of parts.		
ID OD T(or W, L)			

→12345-56781 (Parts No.) : indicates that the parts number was changed to 12345-56781 and the new parts are interchangeable with the former ones but the former ones are not interchangeable with new ones.

←12345-56781 (Parts No.) : indicates that the former and new parts are interchangeable with each other and both are usable.

3. INNER PARTS OF ASSEMBLY

Part name with a dot (.) in front as shown in the description column indicates the component of the assembly also available individually.

4. MODIFICATION NOTICE

A parts bulletin will be sent to you on all occasions when changes in parts occur, including interchangeable modifications between new parts and old ones.

5. NOTE

5-1. There are some different parts from those of production models among spare parts for the administrative reasons and common use of them with other models.

5-2. In respect of rubber hoses and vinyl tubes, please be sure to use them by cutting off according to the length mentioned on parts catalogue or what is actually required on the vehicle.

5-3. Note that the drawings on the illustration page are for ready reference of spare parts number, not to be used as an assembly manual.
When assembling, use "SUZUKI SERVICE MANUAL".

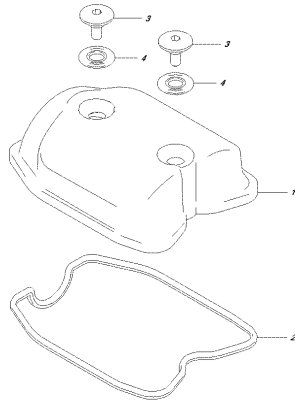
6. SPECIFICATION CODE

This catalogue contains the parts for the model designed for the following spec. ;
spec. code : P08.

7. SERIAL FRAME NUMBER

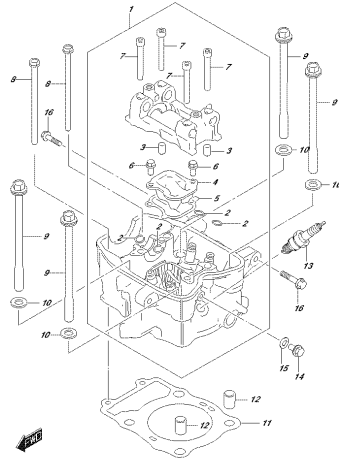
GSX250FRLMM3 :
GSX250FRLNM3 :

FIG. 102A



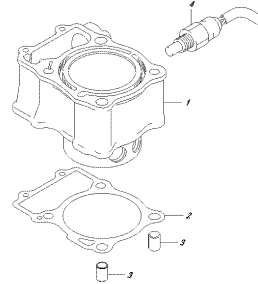
ISKENDERLI MAK. PAŞ. 1024
ÇUKURBERBER/ÇUKUR

FIG. 103A



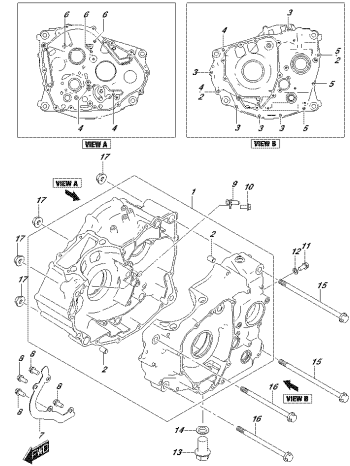
ISKENDERLI MAK. PAŞ. 1024
ÇUKURBERBER

FIG. 107A



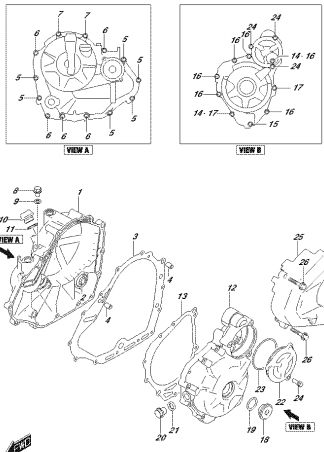
ISKENDERLI MAK. PAŞ. 1074
ÇUKURBER

FIG. 108A



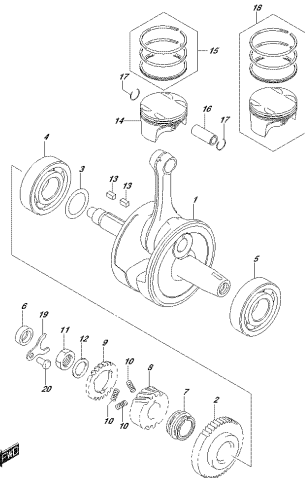
ISKENDERLI MAK. PAŞ. 1084
ÇUKURBERBER

FIG. 112A



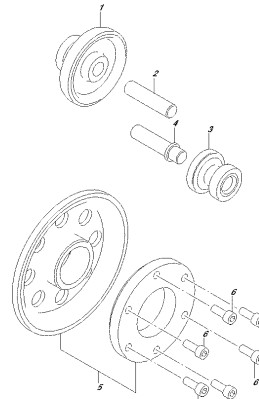
ISKENDERLI MAK. PAŞ. 1124
ÇUKURBERBER/ÇUKUR

FIG. 120A



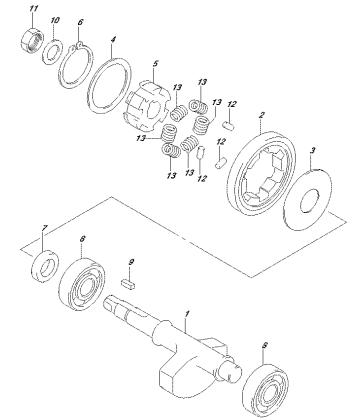
ISKENDERLI MAK. PAŞ. 1204
ÇUKURBERBER

FIG. 122A



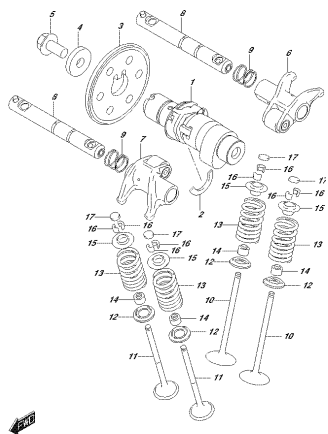
ISKENDERLI MAK. PAŞ. 1224
ÇUKURBERBER

FIG. 124A



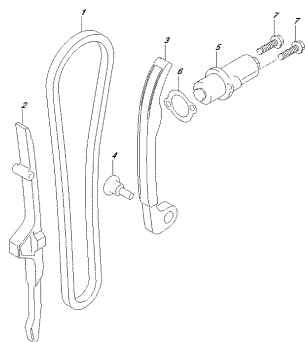
ISKENDERLI MAK. PAŞ. 1244
ÇUKURBERBER

FIG. 126A



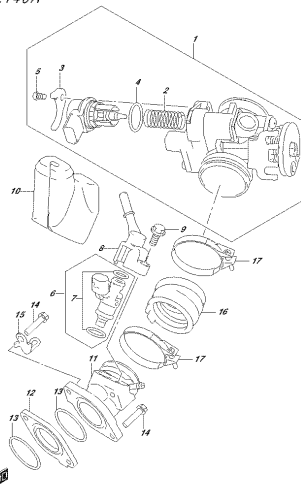
ISKENDERLI MADE, PRL 1634
CARBURATORE

FIG. 127A



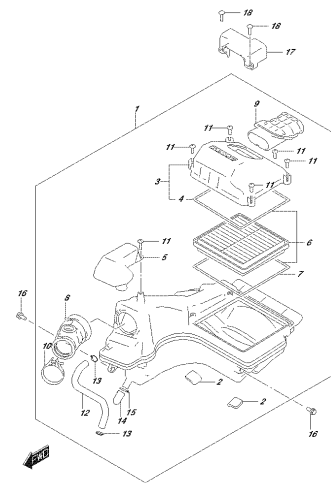
ISKENDERLI MADE, PRL 1674
CARBURATORE

FIG. 140A



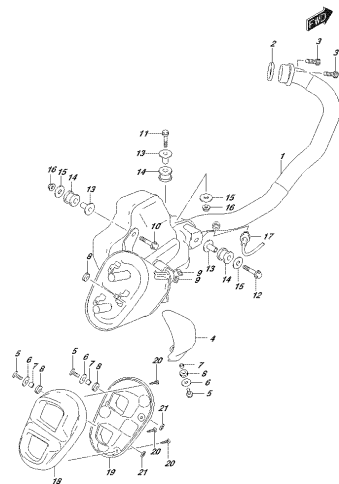
ISKENDERLI MADE, PRL 1634
SPRITZLEISTE

FIG. 155A



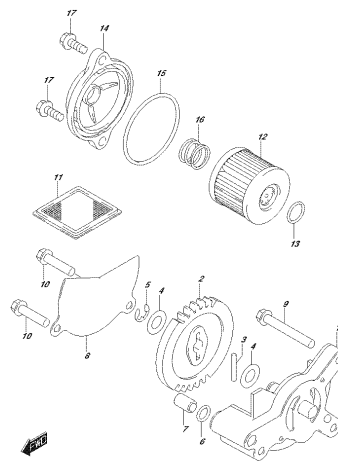
ISKENDERLI MADE, PRL 1634
ANSCLUSSST.

FIG. 163A



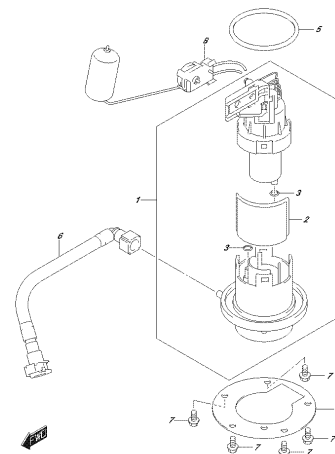
ISKENDERLI MADE, PRL 1634
SUFFLER

FIG. 170A



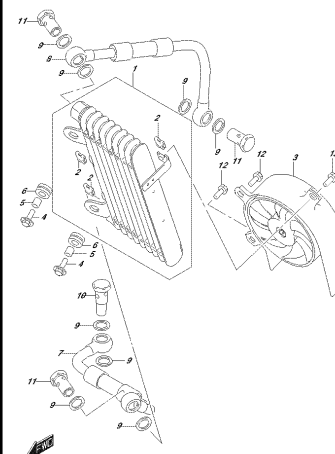
ISKENDERLI MADE, PRL 1704
DE PLAMP

FIG. 172A



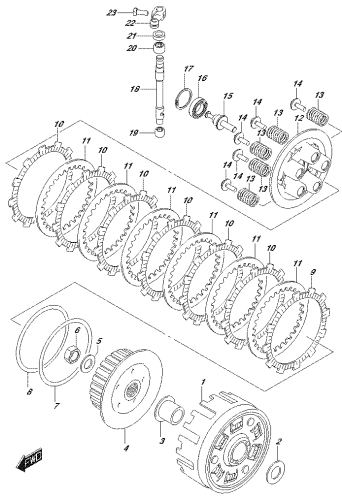
ISKENDERLI MADE, PRL 1704
FUEL PUMP

FIG. 178A



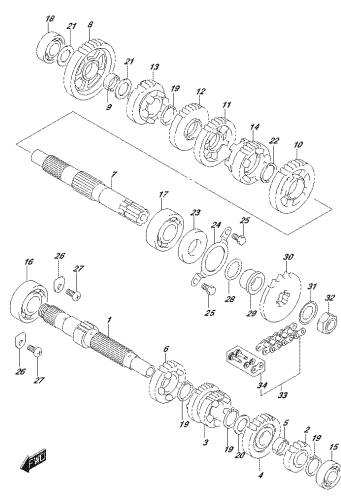
ISKENDERLI MADE, PRL 1704
DE COX. 251

FIG.201A



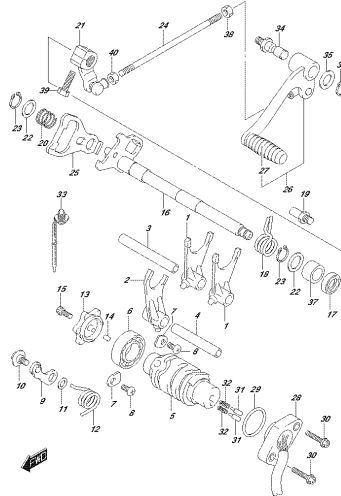
OSKOBRE/MAR_PRL_3014
ECLU/201

FIG.206A



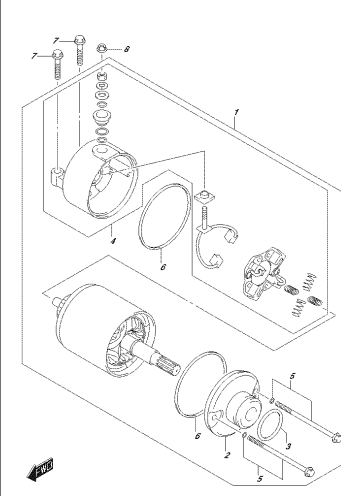
OSKOBRE/MAR_PRL_3004
ITK45503201

FIG.212A



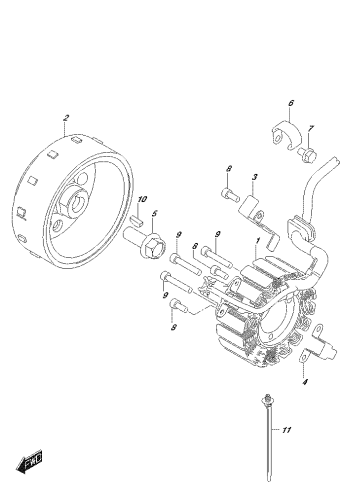
OSKOBRE/MAR_PRL_3014
OSK45101700

FIG.301A



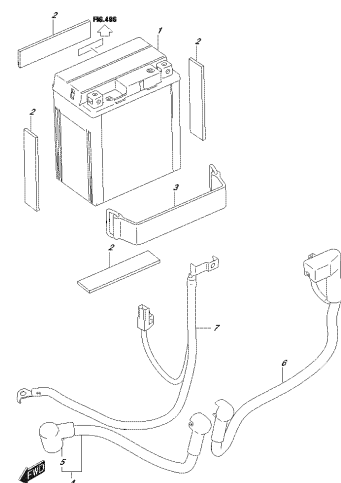
OSKOBRE/MAR_PRL_3014
OSK45101700

FIG.303A



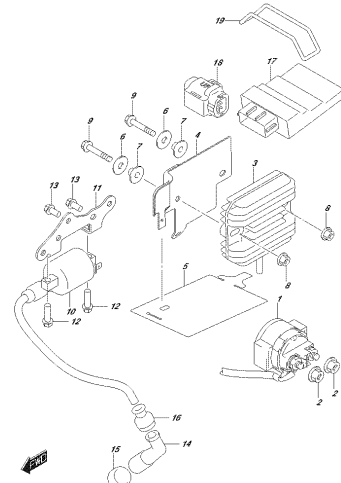
OSKOBRE/MAR_PRL_3014
SK45101700

FIG.310A



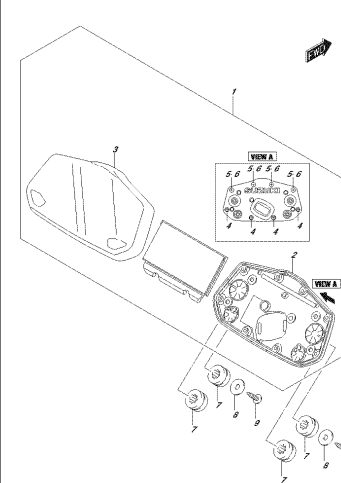
OSKOBRE/MAR_PRL_3104
SK45101700

FIG.312A



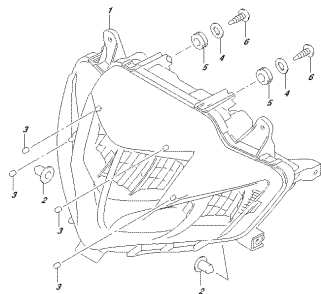
OSKOBRE/MAR_PRL_3104
ELECTRICAL

FIG.330A



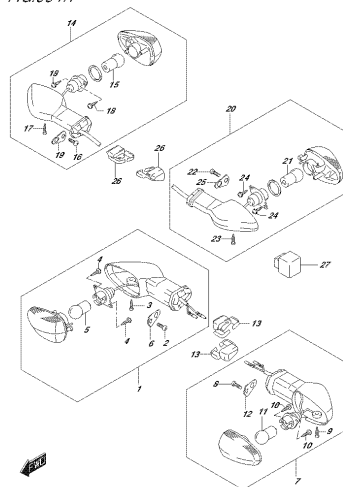
OSKOBRE/MAR_PRL_3304
SPEED/REV/2

FIG.333A



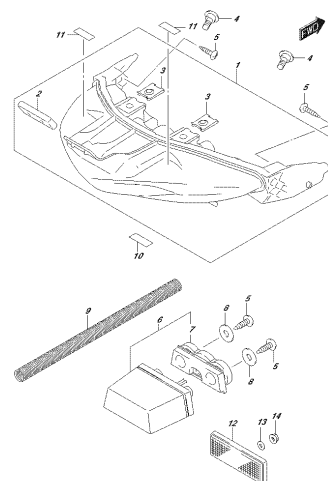
OSKIBERRE MIK. PIR. 333A
HEDELAMP

FIG.334A



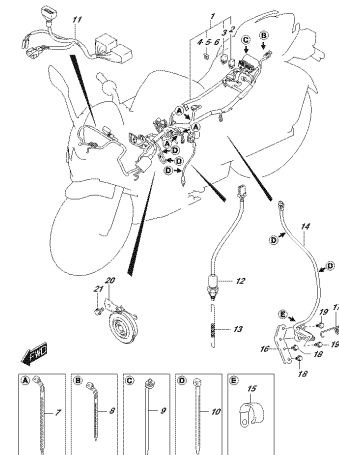
OSKIBERRE MIK. PIR. 334A
TULPISIGNAL LAMP

FIG.339A



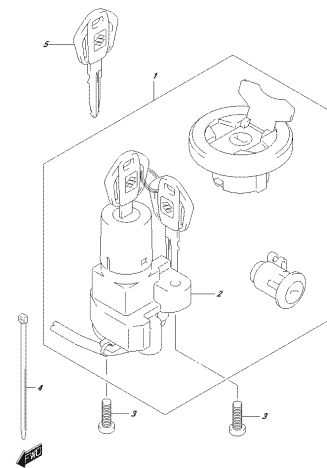
OSKIBERRE MIK. PIR. 339A
HEKARZINREKWER LAMP

FIG.350A



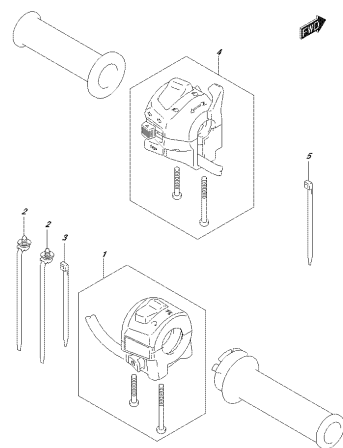
OSKIBERRE MIK. PIR. 350A
HARRKOT WIRRESS

FIG.352A



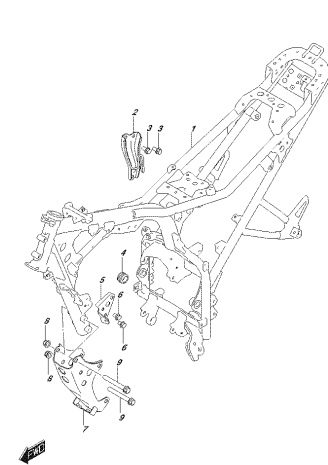
OSKIBERRE MIK. PIR. 352A
LOCK SET

FIG.355A



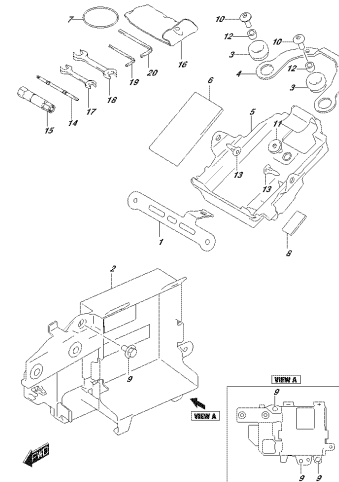
OSKIBERRE MIK. PIR. 355A
HARKLESWITCH

FIG.401A



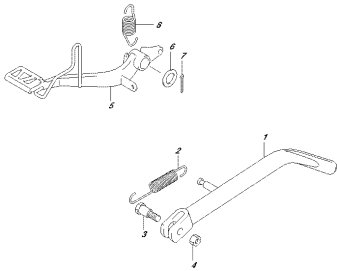
OSKIBERRE MIK. PIR. 401A
FRAME

FIG.406A



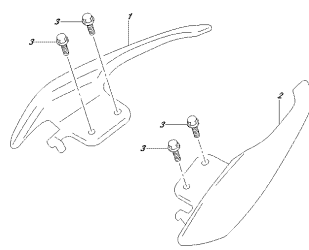
OSKIBERRE MIK. PIR. 406A
HANDLE

FIG.407A



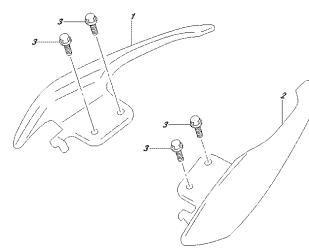
ISOKEBERG/MAR, P/NL 407A
050402

FIG.410B



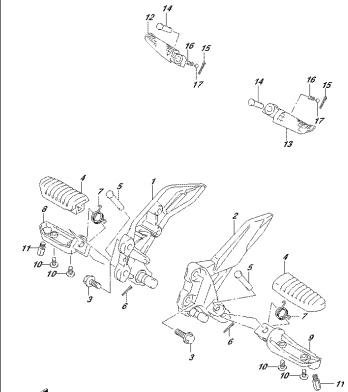
ISOKEBERG/MAR, P/NL 410B
FUEL INJECTOR W/VELOC

FIG.410C



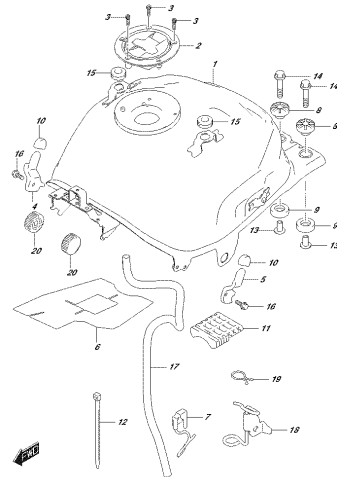
ISOKEBERG/MAR, P/NL 410C
FUEL INJECTOR W/VELOC

FIG.415A



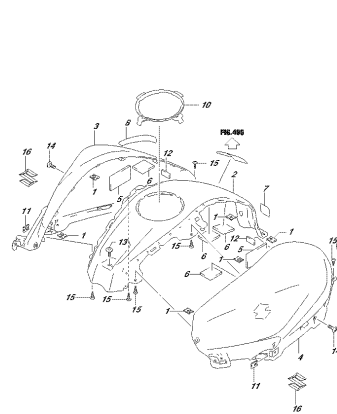
ISOKEBERG/MAR, P/NL 415A
FUEL INJECTOR

FIG.420A



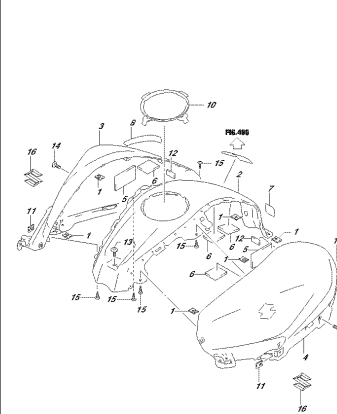
ISOKEBERG/MAR, P/NL 420A
FUEL DRAW

FIG.423A



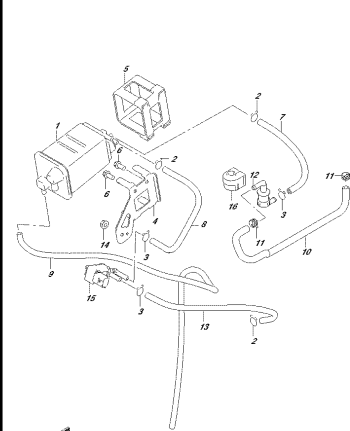
ISOKEBERG/MAR, P/NL 423A
FUEL DRAW COXRAY

FIG.423B



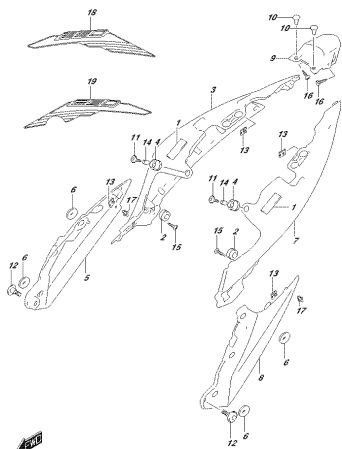
ISOKEBERG/MAR, P/NL 423B
FUEL DRAW COXRAY

FIG.427A



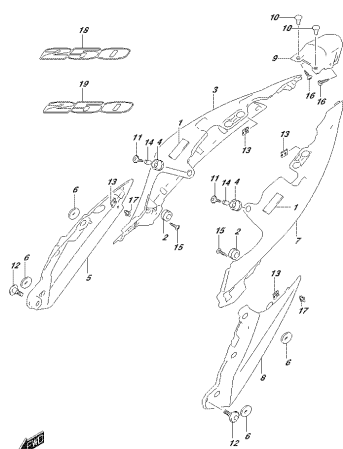
ISOKEBERG/MAR, P/NL 427A
ENAF SYSTEM

FIG.445B



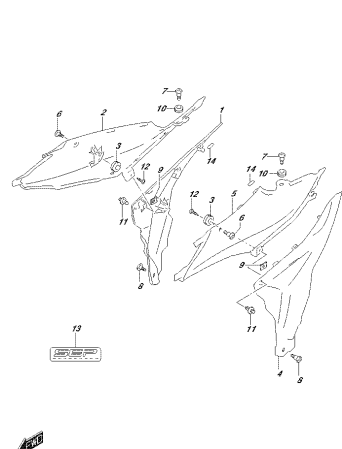
OSKIBETRI MÅL, PÅL 445B
STÅRKEKONST

FIG.445D



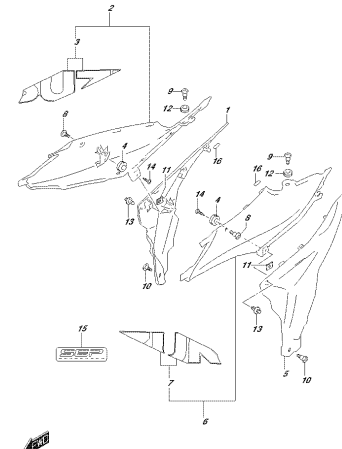
OSKIBETRI MÅL, PÅL 445D
STÅRKEKONST

FIG.446A



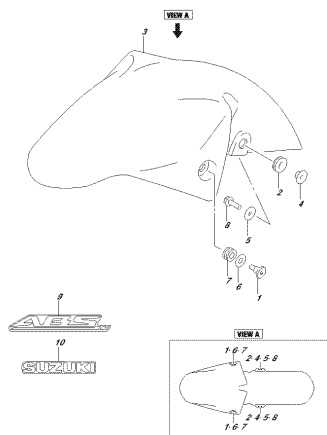
OSKIBETRI MÅL, PÅL 446A
STÅRKEKONST

FIG.446B



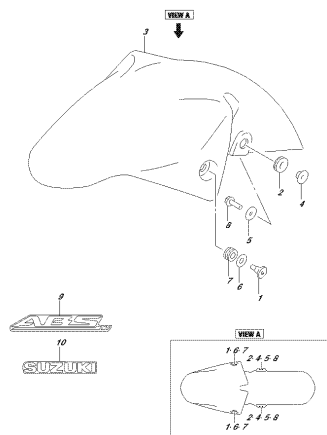
OSKIBETRI MÅL, PÅL 446B
STÅRKEKONST

FIG.460B



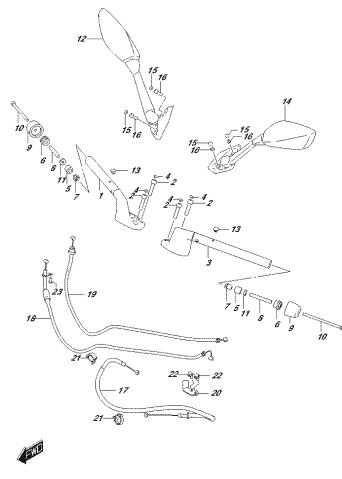
OSKIBETRI MÅL, PÅL 460B
FRONT FENDER

FIG.460D



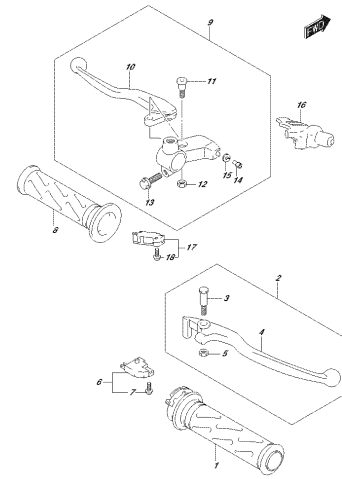
OSKIBETRI MÅL, PÅL 460D
FRONT FENDER

FIG.462A



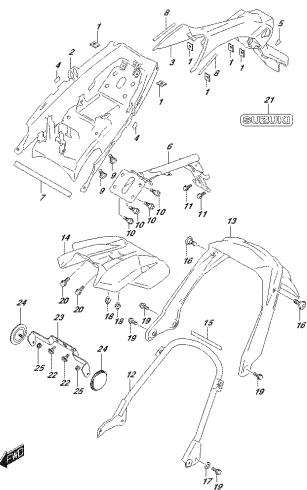
OSKIBETRI MÅL, PÅL 462A
HÅNDELBAR

FIG.467A



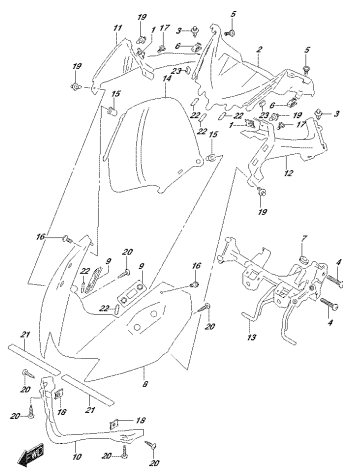
OSKIBETRI MÅL, PÅL 467A
HÅNDELBAR

FIG.474A



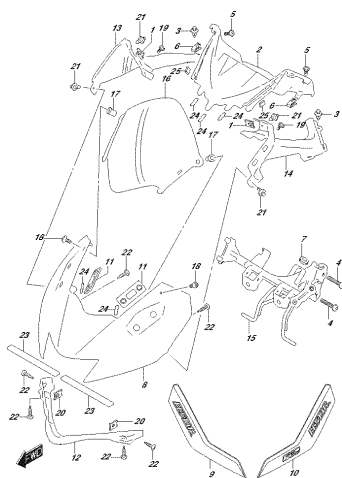
OSKIBEMLAID, PRL 474A
REAR SUB-ASSEMBLY

FIG.481A



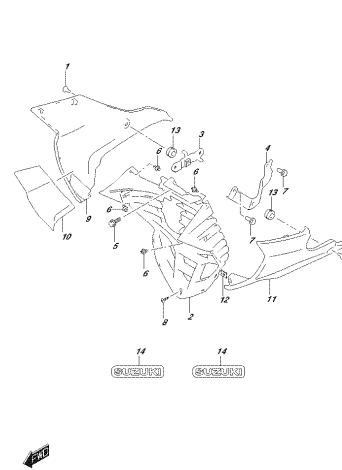
OSKIBEMLAID, PRL 481A
FRONT SUB-ASSEMBLY

FIG.481C



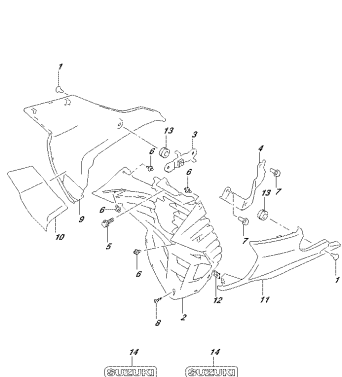
OSKIBEMLAID, PRL 481C
FRONT SUB-ASSEMBLY

FIG.483A



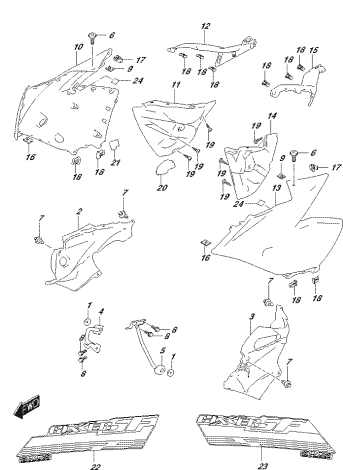
OSKIBEMLAID, PRL 483A
SIDE COVER (L&R)

FIG.483B



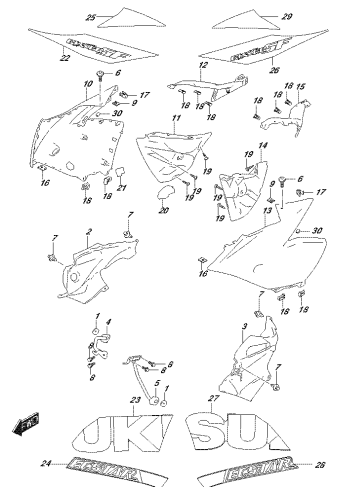
OSKIBEMLAID, PRL 483B
SIDE COVER (L&R)

FIG.485A



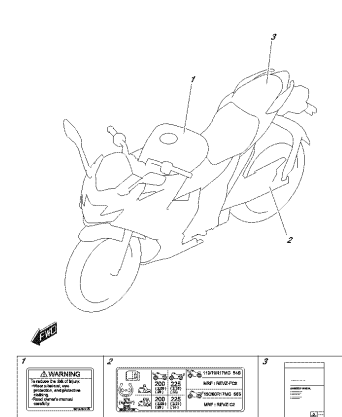
OSKIBEMLAID, PRL 485A
SIDE COVER (L&R)

FIG.485B



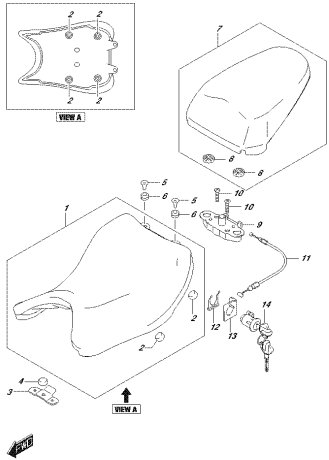
OSKIBEMLAID, PRL 485B
SIDE COVER (L&R)

FIG.496A



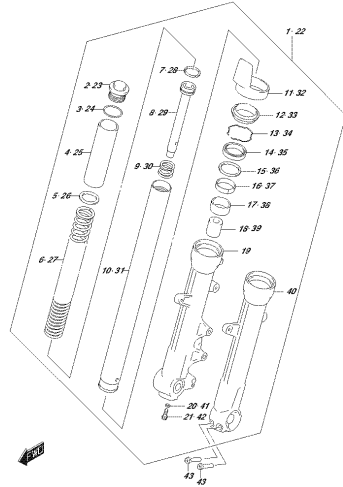
OSKIBEMLAID, PRL 496A
SIDE COVER (L&R)

FIG.505A



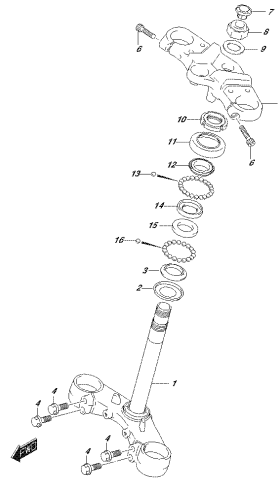
OSKIBERRE MARI, PIRL_S004
SEAT

FIG.521A



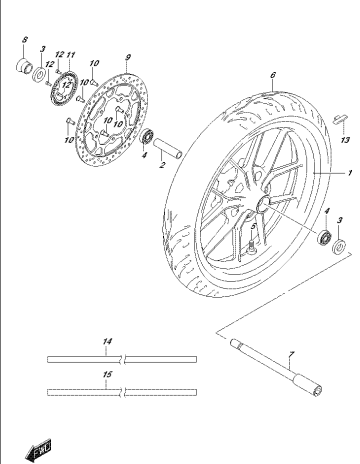
OSKIBERRE MARI, PIRL_S014
FRONT FORK DAMPER

FIG.524A



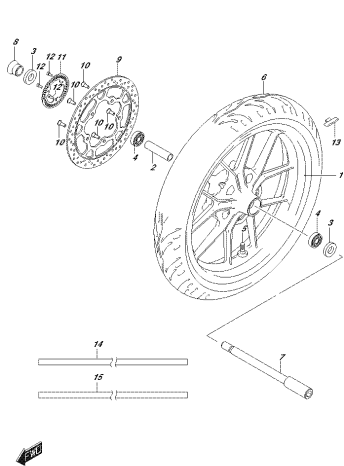
OSKIBERRE MARI, PIRL_S014
STEERING STEM

FIG.530B



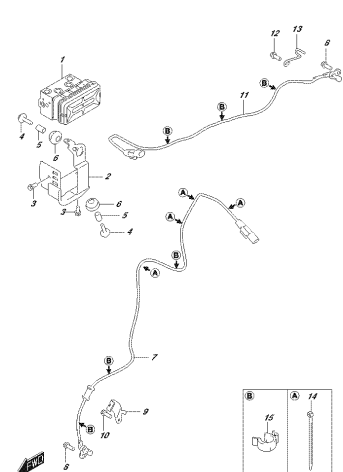
OSKIBERRE MARI, PIRL_S010
FRONT WHEEL

FIG.530C



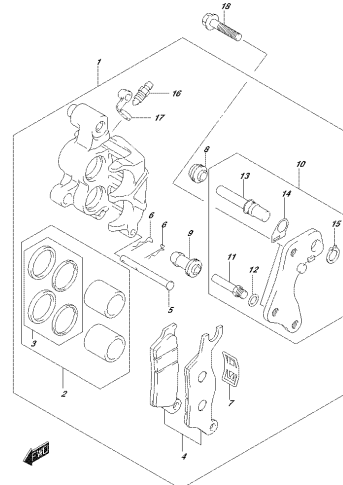
OSKIBERRE MARI, PIRL_S010
FRONT WHEEL

FIG.533A



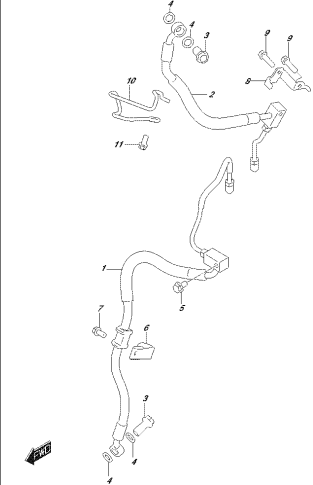
OSKIBERRE MARI, PIRL_S014
HYDRAULIC LINE

FIG.535A



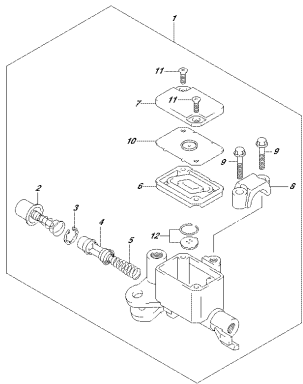
OSKIBERRE MARI, PIRL_S014
FRONT CALIPER

FIG.536A



OSKIBERRE MARI, PIRL_S014
FRONT BRAKE HOSE

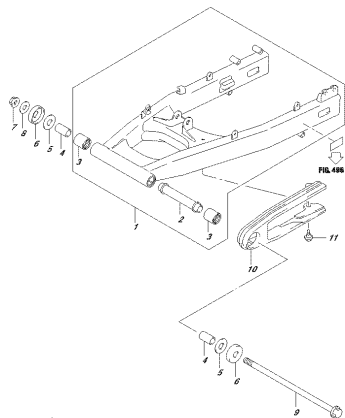
FIG.537A



OSKBEFIRL MÅL, PÅL 537A

FRONT MASTERCYLINDER

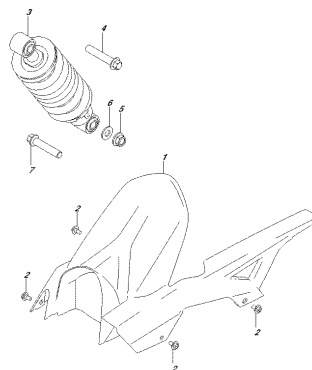
FIG.541A



OSKBEFIRL MÅL, PÅL 541A

REAR SHOCKABSORBER

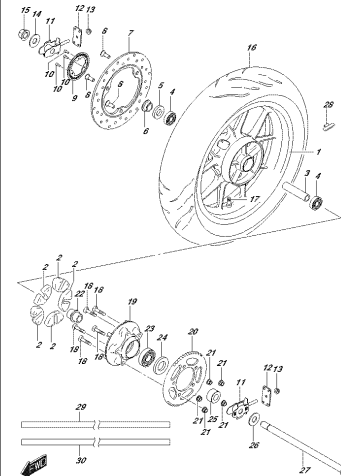
FIG.545A



OSKBEFIRL MÅL, PÅL 545A

REAR SHOCKABSORBER

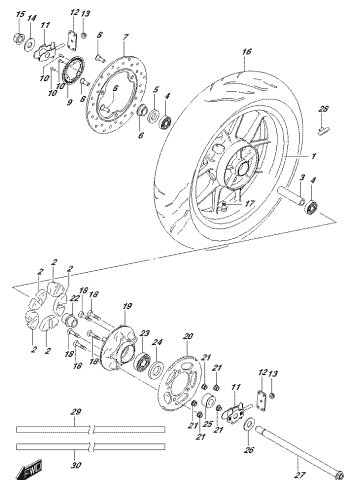
FIG.550B



OSKBEFIRL MÅL, PÅL 550B

REAR WHEEL

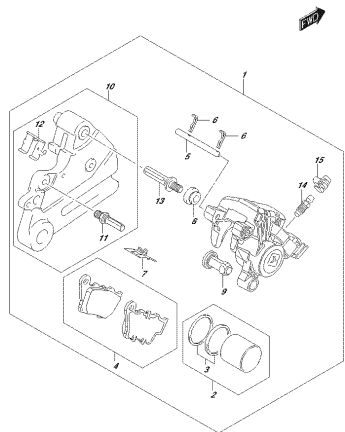
FIG.550C



OSKBEFIRL MÅL, PÅL 550C

REAR WHEEL

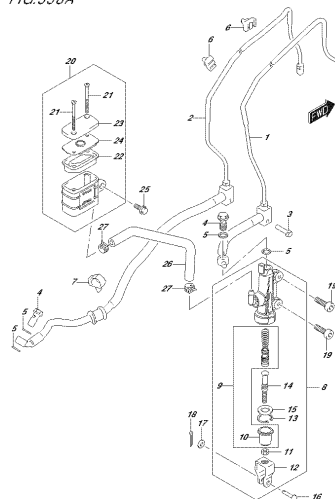
FIG.555A



OSKBEFIRL MÅL, PÅL 555A

REAR AXLE/PER

FIG.558A



OSKBEFIRL MÅL, PÅL 558A

REAR MASTERCYLINDER

FIG.102A

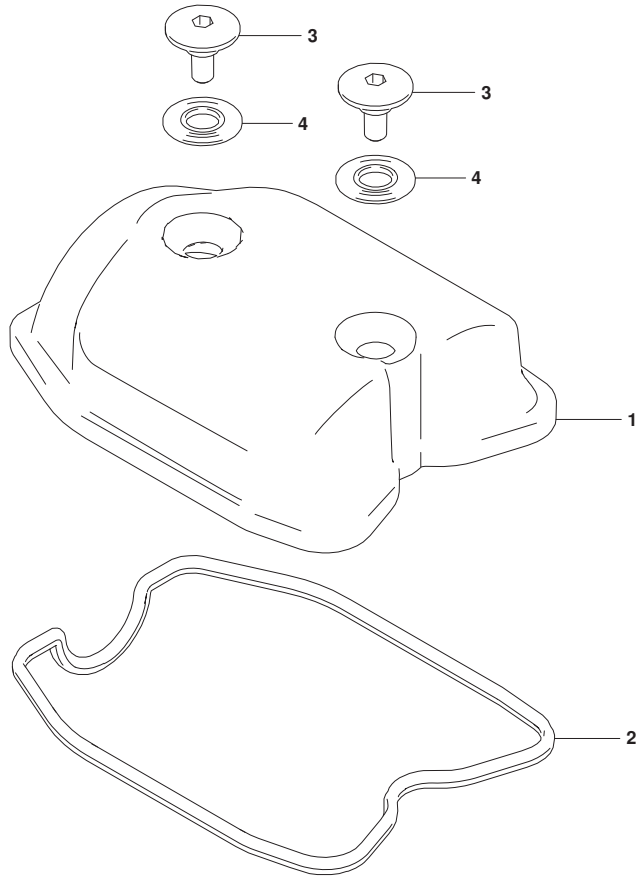


FIG.102A (1-B-2) CYLINDER HEAD COVER

REF NO.	PART NO.	DESCRIPTION	Q'TY	REMARKS
1	11171-41K00-000	COVER,CYLINDER HEAD	1	
2	11173-41K00-000	GASKET,CYL HEAD COVER	1	
3	09106-07027-000	BOLT (L6.5)	2	
4-1	11191-27E00-000	WASHER,CYL HEAD COVER (10.6X25.5X1.6)	2	UCHIYAMA
4-2	11191-27E70-000	WASHER (10.6X25.5X1.6)	2	NOK
4-3	11191-27EB0-000	WASHER (10.6X25.5X1.6)	2	ROOP POLYMERS LTD



FIG.103A

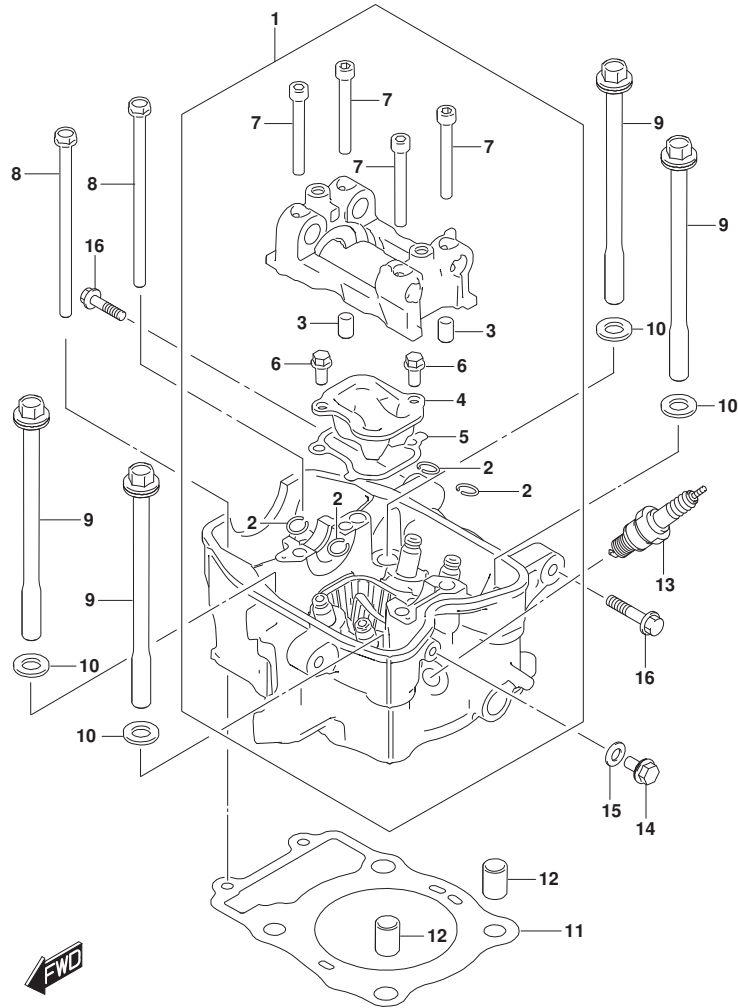


FIG.103A (1-B-3) CYLINDER HEAD

REF NO.	PART NO.	DESCRIPTION	QTY	REMARKS
1	11100-41K00-000	HEAD ASSY,CYLINDER	1	
2	09381-10004-000	.RING,SNAP (10X85)	4	
3	09206-08008-000	.PIN (6.3X8X12)	2	
4	11181-41K00-000	.LID,OIL JACKET	1	
5	11182-41K00-000	.GASKET,OIL JACKET LID	1	
6	01547-0612A-000	.BOLT	2	
7	07130-0650A-000	.BOLT	4	
8	09103-06545-000	BOLT (6X115)	2	
9	09103-10470-000	BOLT (10X145)	4	
10	09160-10164-000	WASHER (10.5X19X2)	4	
11	11141-41K00-000	GASKET,CYLINDER HEAD	1	
12	04211-13189-000	PIN (10.4X13X18)	2	
13	09482-00646-000	PLUG,SPARK (MR8E-9)	1	
14	01550-0612A-000	BOLT	1	
15	09168-06018-000	GASKET (6.2X13X1.2)	1	
16	01550-0820B-000	BOLT	2	

FIG.107A

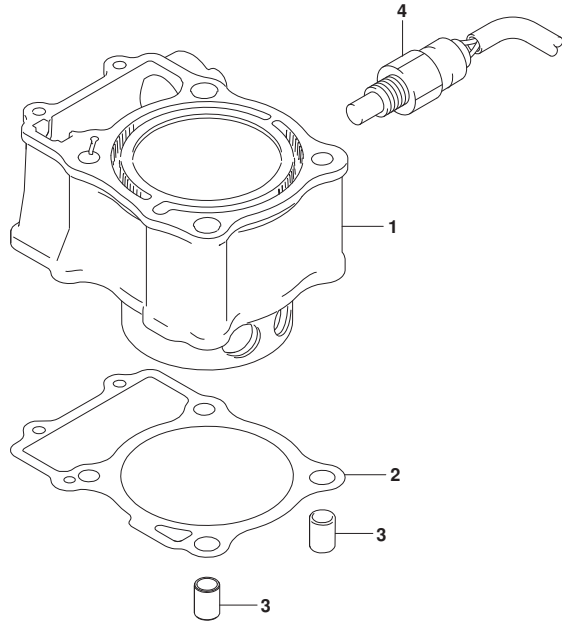


FIG.107A (1-B-4) CYLINDER

REF NO.	PART NO.	DESCRIPTION	Q'TY	REMARKS
1	11210-41K00-0F0	CYLINDER	1	
2	11241-41K00-000	GASKET,CYLINDER	1	
3	04211-13189-000	PIN (10.4X13X18)	2	
4	13640-41K00-000	SENSOR,ENGINE TEMP	1	



FIG.108A

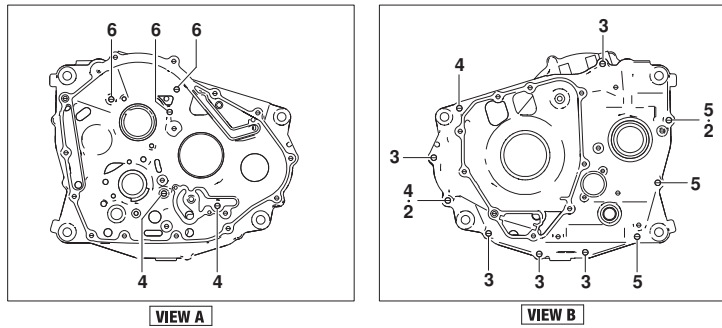


FIG.108A (1-B-5) CRANKCASE

REF NO.	PART NO.	DESCRIPTION	Q'TY	REMARKS
1	11300-41881-000	CRANKCASE SET	1	
2	04211-09149-000	.PIN (8.5X18X2.3)	2	
3	01547-0645A-000	.BOLT	5	
4	01547-0655A-000	.BOLT	4	
5	01547-0665A-000	.BOLT	3	
6	01547-0680A-000	.BOLT	3	
7	11323-41K00-000	SEPARATOR,CRANKCASE OIL	1	
8	01547-0612A-000	BOLT	4	
9	11390-41K00-000	JET,PISTON COOLING	1	
10	01547-0612A-000	BOLT	1	
11	01547-0612A-000	BOLT	1	
12	09168-06004-000	GASKET (6.2X11X1.2)	1	
13	09247-12106-000	PLUG (12X20)	1	OIL DRAIN
14	09168-12L02-000	GASKET (12.27X16.97X3.56)	1	OIL DRAIN
15	09103-10077-000	BOLT (10X140)	2	
16	09103-10709-000	BOLT (10X85)	2	
17	08319-3110B-000	NUT	4	

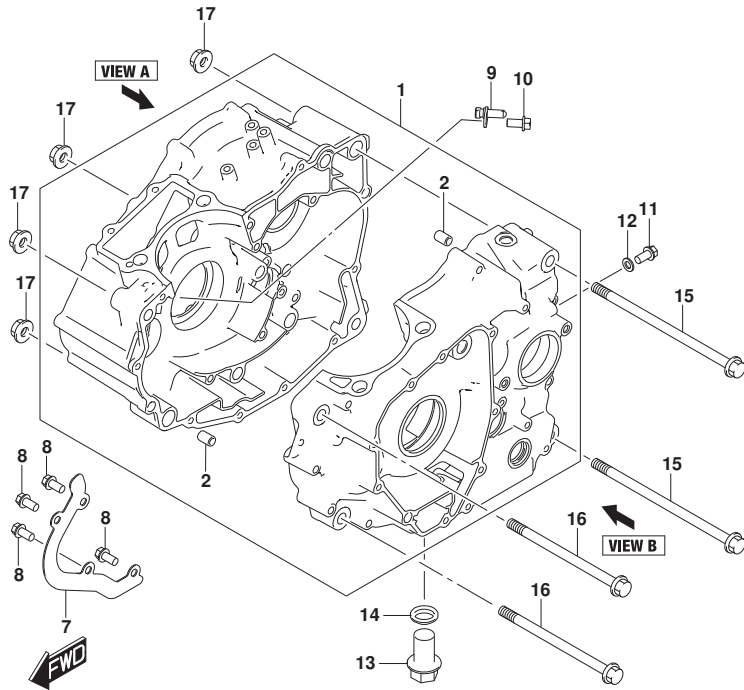


FIG.112A

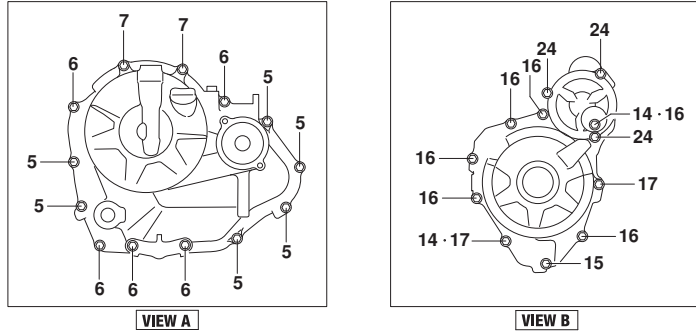


FIG.112A (1-B-6) CRANKCASE COVER

REF NO.	PART NO.	DESCRIPTION	Q'TY	REMARKS
1	11340-41K00-000	COVER,CLUTCH	1	
2	11971-45010-000	.LENS,OIL LEVEL CHECK	1	
3	11482-41K00-000	GASKET,CLUTCH COVER	1	
4	04211-09149-000	PIN (8.5X18X2.3)	2	
5	01547-0625A-000	BOLT	6	
6	01547-0635A-000	BOLT	5	
7	01547-0645A-000	BOLT	2	
8	01550-0812B-000	BOLT	1	
9	09168-08015-000	GASKET (8.2X14X1.6)	1	
10	11971-30H00-000	PLUG,OIL FILLER	1	
11	09280-17003-000	O-RING (D:3.1, ID:16.8)	1	
12	11351-41K00-000	COVER,MAGNETO	1	
13	11483-41K00-000	GASKET,MAGNETO COVER	1	
14	04211-09149-000	PIN (8.5X18X2.3)	2	
15	01547-0625A-000	BOLT	1	
16	01547-0635A-000	BOLT	6	
17	01547-0645A-000	BOLT	2	
18	09259-26035-000	PLUG	1	
19	09280-22008-000	O-RING (D:3.1, ID:22.7)	1	
20	09247-14054-000	PLUG (14X12)	1	
21	09168-14002-000	GASKET (13.8X18.8X4.8)	1	
22	11352-41K00-000	COVER,STARTER IDLE GEAR	1	
23	11353-41K00-000	O-RING,STARTER GEAR COVER	1	
24	01547-0616A-000	BOLT	3	
25	11360-41K00-000	COVER,ENG SPROCKET	1	
26	01547-0625A-000	BOLT	2	

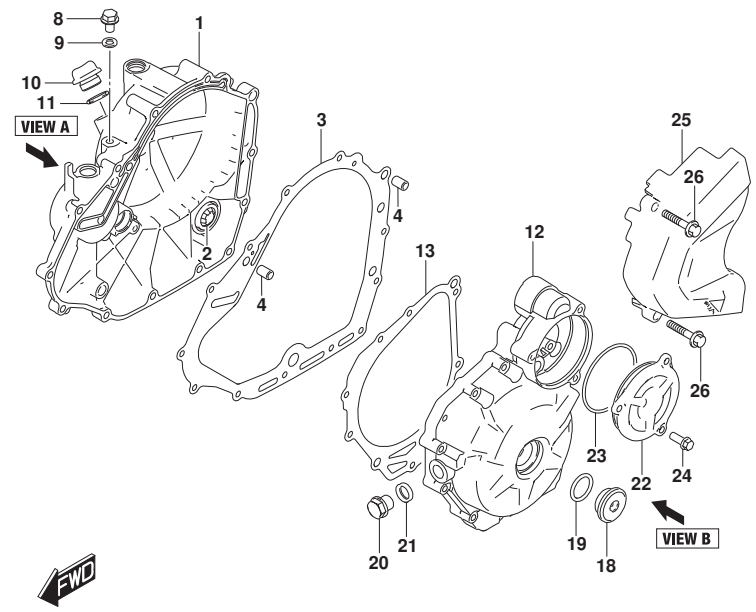


FIG.120A

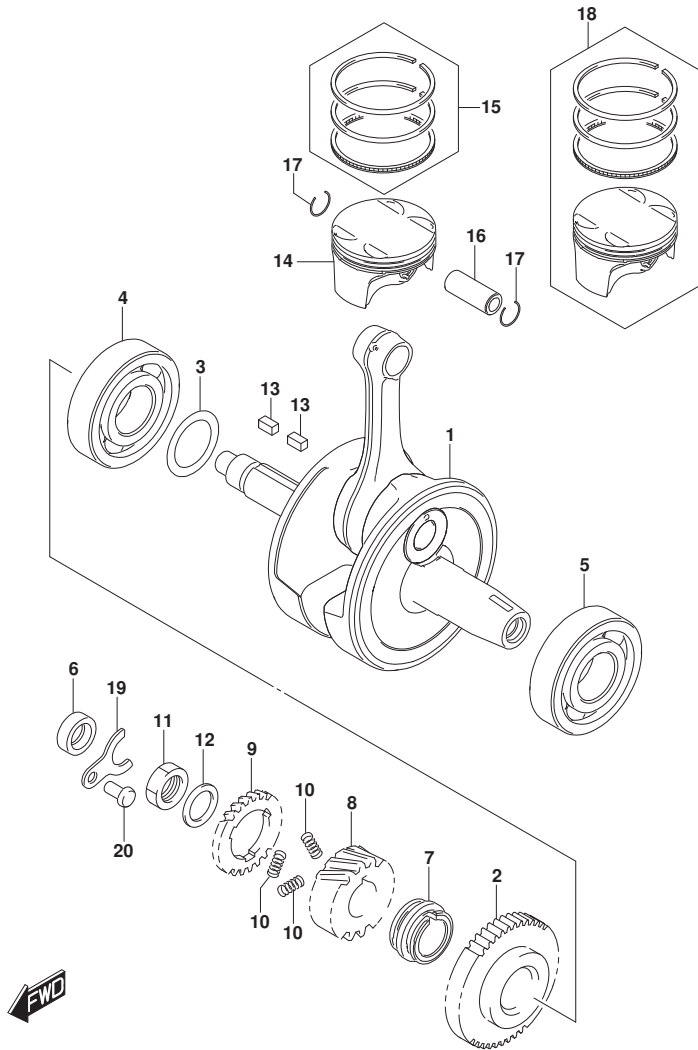


FIG.120A (1-B-7) CRANKSHAFT

REF NO.	PART NO.	DESCRIPTION	Q'TY	REMARKS
1	12200-41K00-000	CRANKSHAFT ASSY	1	
2	12661-41K00-000	GEAR,CRANK BALANCER DRIVE (NT:40)	1	
3-1	09181-28187-000	SHIM (T:0.6)	1	
3-2	09181-28021-000	SHIM (T:0.65)	1	
3-3	09181-28188-000	SHIM (T:0.7)	1	
3-4	09181-28189-000	SHIM (T:0.75)	1	
3-5	09181-28190-000	SHIM (T:0.8)	1	
3-6	09181-28191-000	SHIM (T:0.85)	1	
3-7	09181-28192-000	SHIM (T:0.90)	1	
3-8	09181-28193-000	SHIM (T:0.95)	1	
3-9	09181-28194-000	SHIM (T:1.00)	1	
3-10	09181-28197-000	SHIM (T:1.05)	1	
3-11	09181-28200-000	SHIM (T:1.10)	1	
3-12	09181-28202-000	SHIM (T:1.15)	1	
3-13	09181-28204-000	SHIM (T:1.20)	1	
3-14	09181-28207-000	SHIM (T:1.25)	1	
3-15	09181-28209-000	SHIM (T:1.30)	1	
4	09262-28060-000	BEARING (28X68X18)	1	
5	09262-28061-000	BEARING (28X68X18)	1	
6	09282-12013-000	SEAL,OIL (12X21X7)	1	
7	12731-41K00-000	SPROCKET,CAM CHAIN DRIVE (NT:17)	1	
8	21111-41KA0-000	GEAR,PRIMARY DRIVE (NT:23)	1	
9	21112-41KA0-000	GEAR,PRIMARY DRIVE SCISSORS (NT:23)	1	
10	21114-41K00-000	SPRING,PRI DRIVE GEAR	3	
11	09140-18004-000	NUT (M18)	1	
12	09160-18044-000	WASHER (18X32X2)	1	
13	09421-05011-000	KEY	2	
14	12111-41K10-0F0	PISTON	1	
15	12140-41K00-000	RING SET,PISTON	1	
16	12151-41K00-000	PIN,PISTON	1	
17	09381-17005-000	CIRCLIP (OD:19.8)	2	
18	12100-41K10-050	PISTON SET (OS:0.5)	1	

FIG.120A

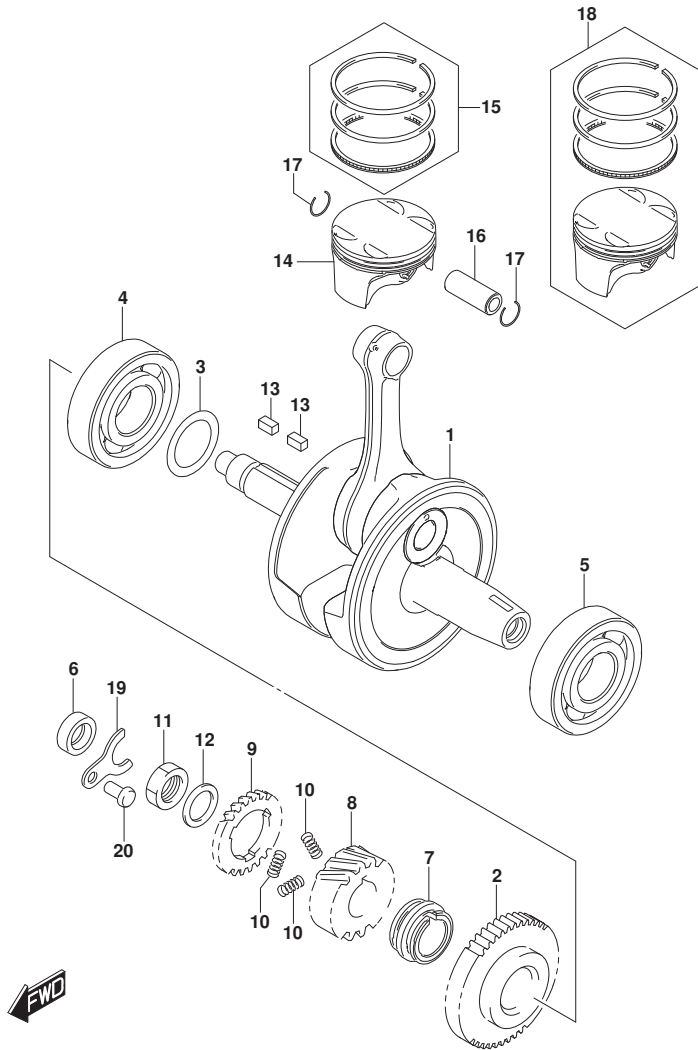


FIG.120A (1-B-8) CRANKSHAFT

REF NO.	PART NO.	DESCRIPTION	QTY	REMARKS
19	12541-41K10-000	RETAINER,CRANKSHAFT OIL SEAL,R	1	
20	01547-0612A-000	BOLT	1	

FIG.122A

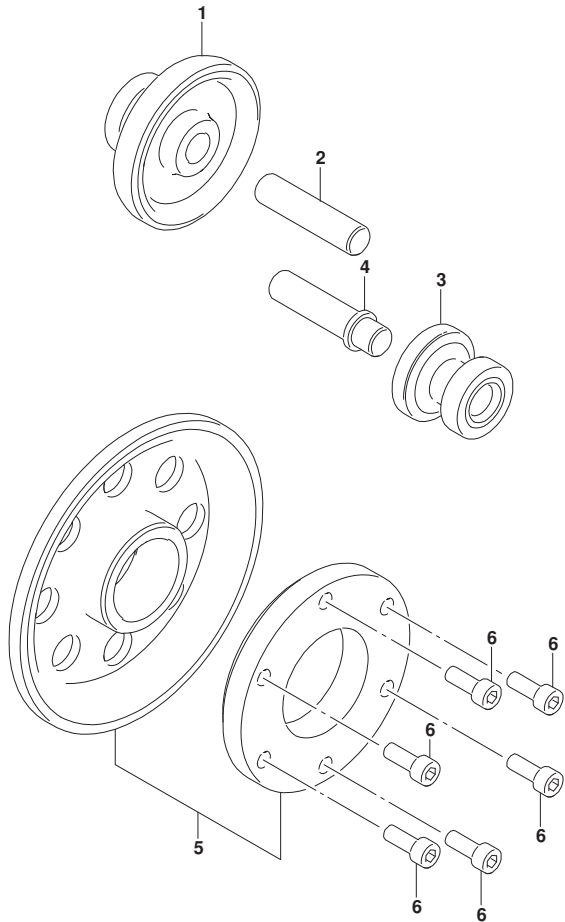


FIG.122A (1-B-9) STARTER CLUTCH

REF NO.	PART NO.	DESCRIPTION	Q'TY	REMARKS
1	12611-41K00-000	GEAR,STARTER IDLE NO.1 (NT:13/ 65)	1	
2	09202-12003-000	PIN (12X50.5)	1	
3	12612-41K00-000	GEAR,STARTER IDLE NO.2 (NT:12/ 16)	1	
4	12616-41K00-000	SHAFT,STARTER IDLE GEAR NO.2	1	
5	12600-41870-000	CLUTCH SET,STARTER (NT:61)	1	
6	07130-0616A-000	BOLT (6X16)	6	

FIG.124A

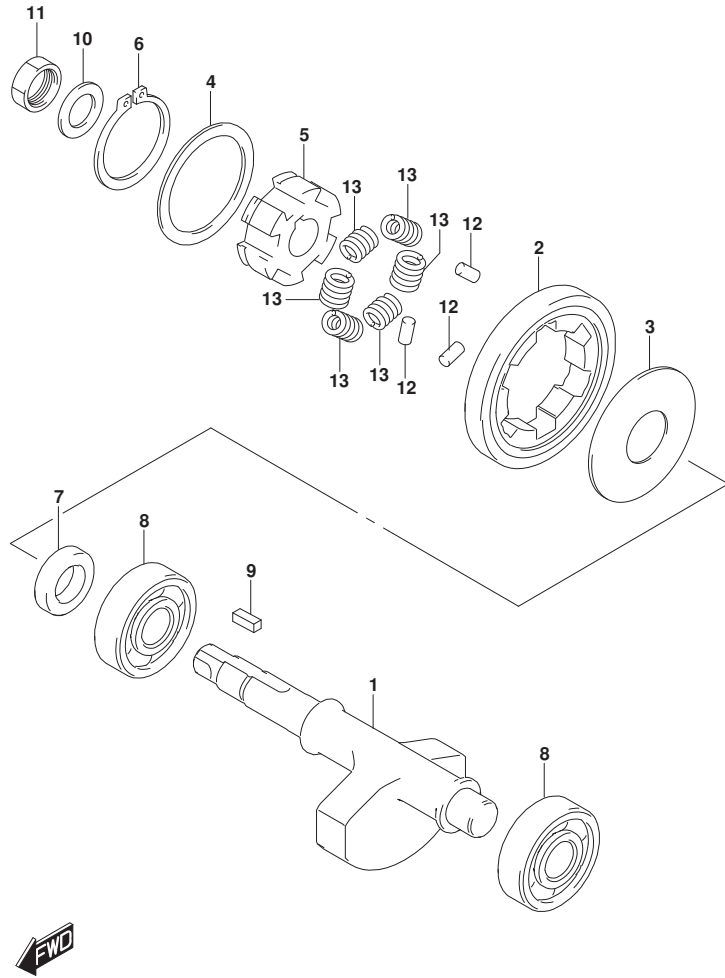


FIG.124A (1-B-10) CRANK BALANCER

REF NO.	PART NO.	DESCRIPTION	Q'TY	REMARKS
1	12651-41K00-000	BALANCER,CRANK	1	
2	12666-41K00-000	GEAR,CRK BAL DRIVEN (NT:44)	1	
3	12662-41K00-000	WASHER,CRK BAL DRIVEN GR NO.1	1	
4	12662-41K10-000	WASHER,CRK BAL DRIVEN GR NO.2	1	
5	12669-41K00-000	RACE,CRK BAL DRIVEN GEAR INNER	1	
6	08331-31409-000	CIRCLIP	1	
7	12668-34J00-000	SPACER,DRIVEN GEAR (NT:19)	1	
8	09262-15060-000	BEARING (15X42X13)	2	
9	09421-05011-000	KEY	1	
10	08211-14242-000	WASHER (NT:24)	1	
11	09140-14022-000	NUT (NT:24)	1	
12	09202-04017-000	PIN (4.5X9.5)	3	
13	12663-41K00-000	SPRING,CRANK BAL DRIVEN GEAR	6	

FIG.126A

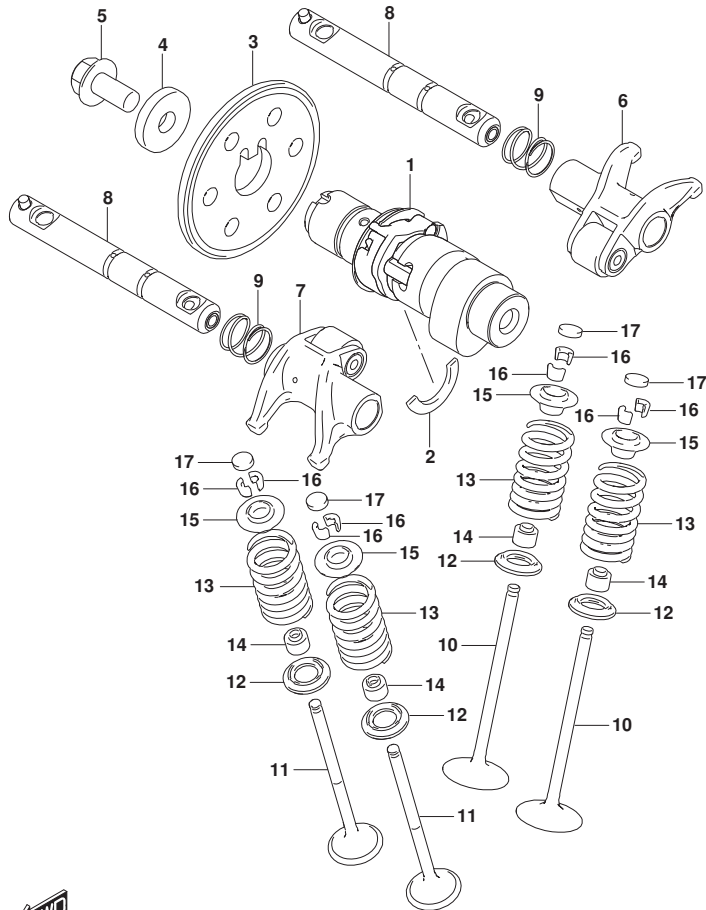


FIG.126A (1-B-11) CAMSHAFT/VALVE

REF NO.	PART NO.	DESCRIPTION	Q'TY	REMARKS
1	12710-41K00-000	CAMSHAFT ASSY	1	
2	09390-22002-000	C-RING	1	
3	12741-41K00-000	SPROCKET,CAMSHAFT (NT:34)	1	
4	09160-08176-000	WASHER (8X23X4)	1	
5	12742-41K00-000	BOLT,SPROCKET	1	
6	12841-41K00-000	ARM,VALVE ROCKER INTAKE	1	
7	12851-41K00-000	ARM,VALVE ROCKER EXHAUST	1	
8	12860-41K00-000	SHAFT,VALVE ROCKER ARM	2	
9	12867-41K00-000	SPRING,VALVE ROCKER ARM	2	
10	12911-41K00-000	VALVE,INTAKE	2	
11	12912-41K00-000	VALVE,EXHAUST	2	
12	12933-09G00-000	SEAT,VALVE SPRING	4	
13	12921-41K00-000	SPRING,VALVE	4	
14	09289-05019-000	SEAL,OIL (4X10X8)	4	
15	12931-41K00-000	RETAINER,VALVE SPRING	4	
16	12932-09G10-000	COTTER VALVE (NT:23)	8	
17-1	12892-35G00-150	SHIM,TAPPET (T:1.50)	4	
17-2	12892-35G00-152	SHIM,TAPPET (T:1.52)	4	
17-3	12892-35G00-155	SHIM,TAPPET (T:1.55)	4	
17-4	12892-35G00-158	SHIM,TAPPET (T:1.58)	4	
17-5	12892-35G00-160	SHIM,TAPPET (T:1.60)	4	
17-6	12892-35G00-162	SHIM,TAPPET (T:1.62)	4	
17-7	12892-35G00-165	SHIM,TAPPET (T:1.65)	4	
17-8	12892-35G00-168	SHIM,TAPPET (T:1.68)	4	
17-9	12892-35G00-170	SHIM,TAPPET (T:1.70)	4	
17-10	12892-35G00-172	SHIM,TAPPET (T:1.72)	4	
17-11	12892-35G00-175	SHIM,TAPPET (T:1.75)	4	
17-12	12892-35G00-178	SHIM,TAPPET (T:1.78)	4	
17-13	12892-35G00-180	SHIM,TAPPET (T:1.80)	4	
17-14	12892-35G00-182	SHIM,TAPPET (T:1.82)	4	
17-15	12892-35G00-185	SHIM,TAPPET (T:1.85)	4	
17-16	12892-35G00-188	SHIM,TAPPET (T:1.88)	4	
17-17	12892-35G00-190	SHIM,TAPPET (T:1.90)	4	
17-18	12892-35G00-192	SHIM,TAPPET (T:1.92)	4	
17-19	12892-35G00-195	SHIM,TAPPET (T:1.95)	4	

FIG.126A

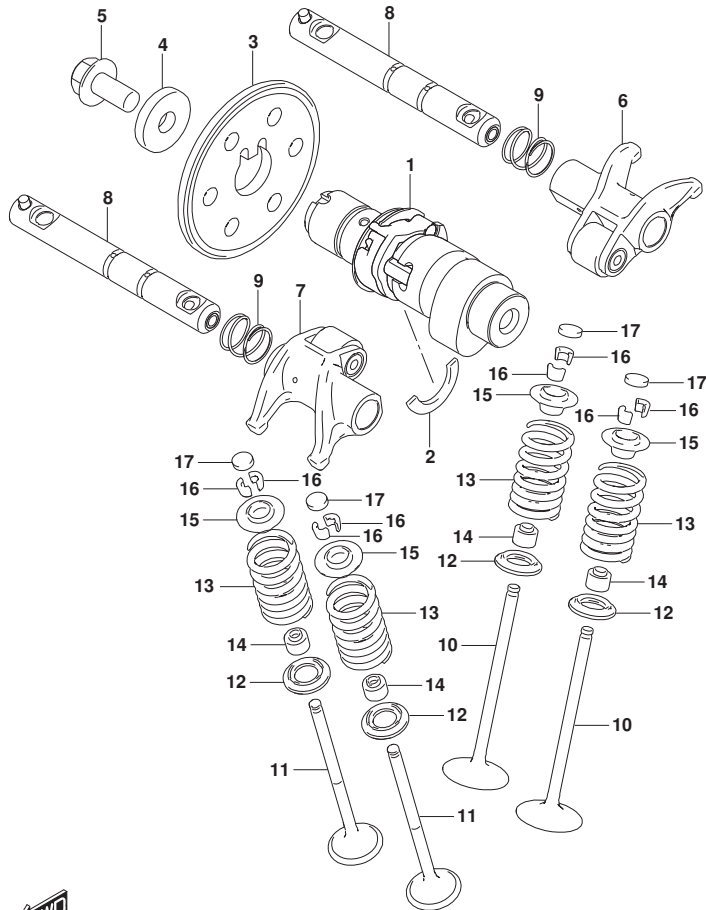


FIG.126A (1-B-12) CAMSHAFT/VALVE

REF NO.	PART NO.	DESCRIPTION	Q'TY	REMARKS
17-20	12892-35G00-198	SHIM,TAPPET (T:1.98)	4	
17-21	12892-35G00-200	SHIM,TAPPET (T:2.00)	4	
17-22	12892-35G00-202	SHIM,TAPPET (T:2.02)	4	
17-23	12892-35G00-205	SHIM,TAPPET (T:2.05)	4	
17-24	12892-35G00-208	SHIM,TAPPET (T:2.08)	4	
17-25	12892-35G00-210	SHIM,TAPPET (T:2.10)	4	
17-26	12892-35G00-212	SHIM,TAPPET (T:2.12)	4	
17-27	12892-35G00-215	SHIM,TAPPET (T:2.15)	4	
17-28	12892-35G00-218	SHIM,TAPPET (T:2.18)	4	
17-29	12892-35G00-220	SHIM,TAPPET (T:2.20)	4	
17-30	12892-35G00-222	SHIM,TAPPET (T:2.22)	4	
17-31	12892-35G00-225	SHIM,TAPPET (T:2.25)	4	
17-32	12892-35G00-228	SHIM,TAPPET (T:2.28)	4	
17-33	12892-41C00-230	SHIM,TAPPET (T:2.30)	4	
17-34	12892-41C00-232	SHIM,TAPPET (T:2.32)	4	
17-35	12892-41C00-235	SHIM,TAPPET (T:2.35)	4	
17-36	12892-41C00-238	SHIM,TAPPET (T:2.38)	4	
17-37	12892-41C00-240	SHIM,TAPPET (T:2.40)	4	
17-38	12892-41C00-242	SHIM,TAPPET (T:2.42)	4	
17-39	12892-41C00-245	SHIM,TAPPET (T:2.45)	4	
17-40	12892-41C00-248	SHIM,TAPPET (T:2.48)	4	
17-41	12892-41C00-250	SHIM,TAPPET (T:2.50)	4	
17-42	12892-41C00-252	SHIM,TAPPET (T:2.52)	4	
17-43	12892-41C00-255	SHIM,TAPPET (T:2.55)	4	
17-44	12892-41C00-258	SHIM,TAPPET (T:2.58)	4	
17-45	12892-41C00-260	SHIM,TAPPET (T:2.60)	4	
17-46	12892-41C00-262	SHIM,TAPPET (T:2.62)	4	
17-47	12892-41C00-265	SHIM,TAPPET (T:2.65)	4	
17-48	12892-41C00-268	SHIM,TAPPET (T:2.68)	4	
17-49	12892-41C00-270	SHIM,TAPPET (T:2.70)	4	
17-50	12892-41C00-272	SHIM,TAPPET (T:2.72)	4	
17-51	12892-41C00-275	SHIM,TAPPET (T:2.75)	4	
17-52	12892-41C00-278	SHIM,TAPPET (T:2.78)	4	
17-53	12892-41C00-280	SHIM,TAPPET (T:2.80)	4	
17-54	12892-41C00-282	SHIM,TAPPET (T:2.82)	4	

FIG.126A

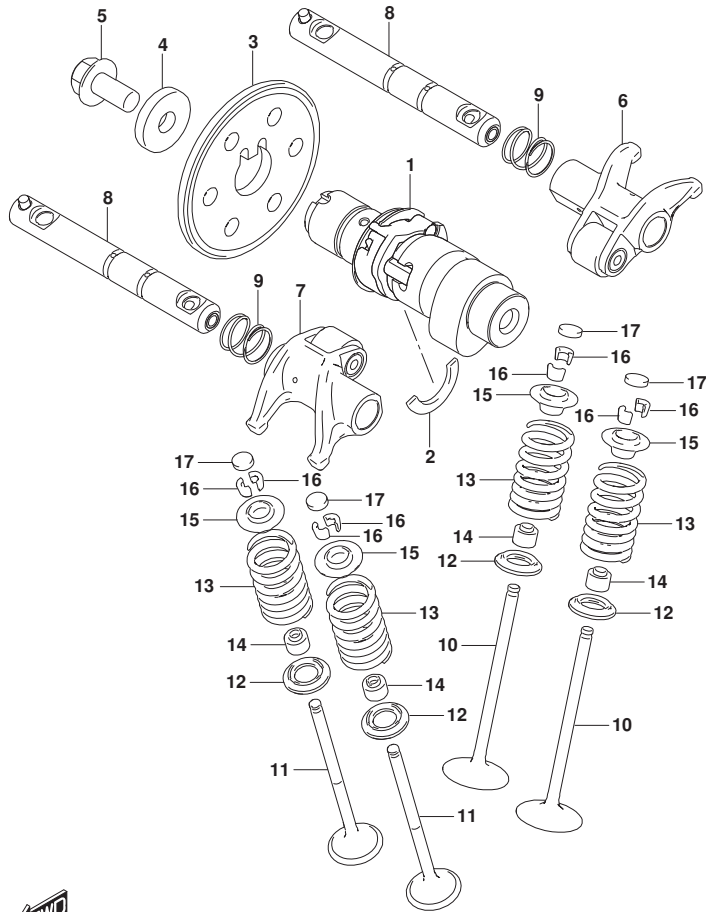


FIG.126A (1-B-13) CAMSHAFT/VALVE

REF NO.	PART NO.	DESCRIPTION	Q'TY	REMARKS
17-55	12892-41C00-285	SHIM,TAPPET (T:2.85)	4	
17-56	12892-41C00-288	SHIM,TAPPET (T:2.88)	4	
17-57	12892-41C00-290	SHIM,TAPPET (T:2.90)	4	
17-58	12892-41C00-292	SHIM,TAPPET (T:2.92)	4	
17-59	12892-41C00-295	SHIM,TAPPET (T:2.95)	4	
17-60	12892-41C00-298	SHIM,TAPPET (T:2.98)	4	
17-61	12892-41C00-300	SHIM,TAPPET (T:3.00)	4	
18	12800-35820-000	SHIM SET,TAPPET (5PCS. EACH)	1	OPT,NOT ILLUSTRATED
19	99000-69471-000	.CASE,TAPPET SHIM	1	OPT,NOT ILLUSTRATED

FIG.127A

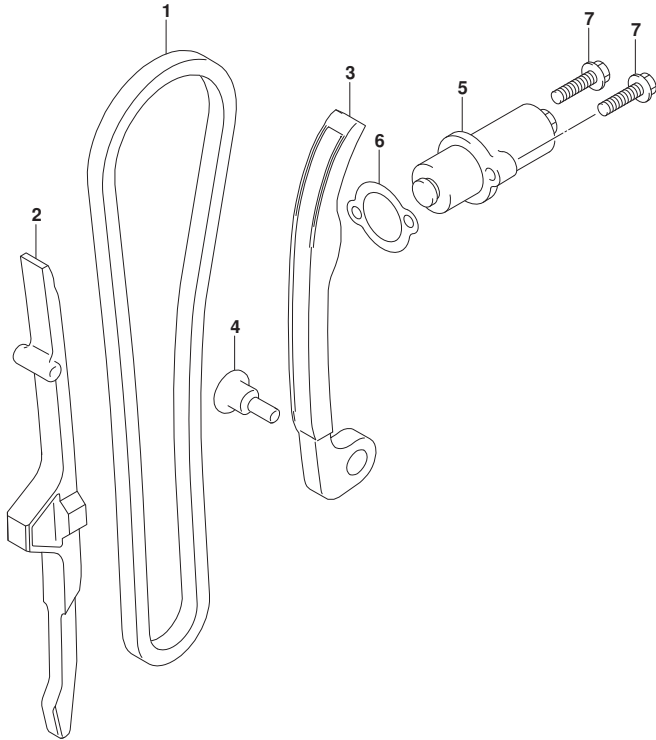


FIG.127A (1-B-14) CAM CHAIN

REF NO.	PART NO.	DESCRIPTION	Q'TY	REMARKS
1	12760-41K00-000	CHAIN,CAMSHAFT DRIVE	1	
2	12771-41K00-000	GUIDE,CAM CHAIN	1	
3	12811-41K00-000	TENSIONER,CAM CHAIN	1	
4-1	12812-41K00-000	BOLT,CAM CHAIN TENSIONER	1	
4-2	12812-35C00-000	BOLT,CAM CHAIN TENSIONER	1	
5	12830-41K00-000	ADJUSTER ASSY,TENSIONER	1	
6	12837-24A30-000	GASKET,TENSIONER ADJUSTER	1	
7	01547-0625B-000	BOLT	2	



FIG.140A

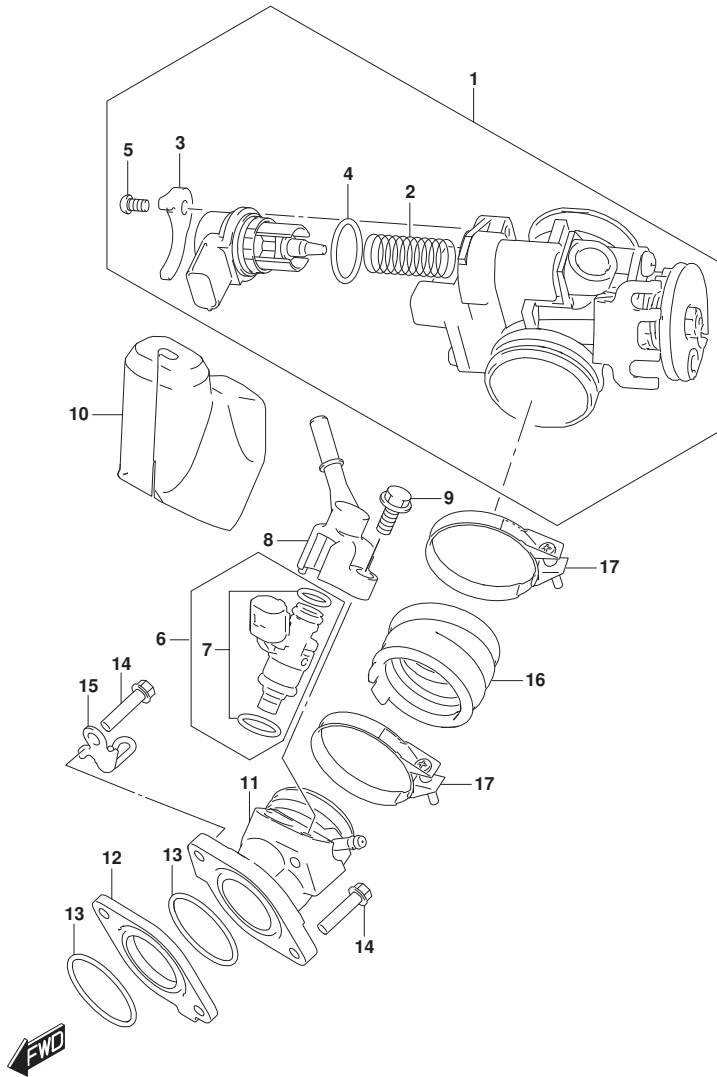


FIG.140A (1-B-15) THROTTLE BODY

REF NO.	PART NO.	DESCRIPTION	Q'TY	REMARKS
1	13400-41K00-000	BODY ASSY,THROTTLE	1	
2	13417-09JA0-000	.SPRING	1	
3	13421-42J00-000	.PLATE	1	
4	13438-09JA0-000	.O-RING	1	
5	13602-06128-000	.SCREW	1	
6	15710-41K00-000	INJECTOR,ASSY FUEL	1	
7	15720-41810-000	.O-RING&GROMMET SET	1	
8	15830-41K00-000	JOINT,FUEL HOSE	1	
9	01547-0620A-000	BOLT	1	
10	15719-41K00-000	COVER,FUEL INJECTOR	1	
11	13110-41K00-000	PIPE,INTAKE NO.1	1	
12	13128-41K00-000	INSULATOR,INTAKE PIPE	1	
13	09280-40021-000	O-RING (D:2.4, ID:39.7)	2	
14	01547-0625A-000	BOLT	2	
15	18570-41K00-000	GUIDE,LEAD WIRE	1	
16	13121-41K00-000	PIPE,INTAKE NO.2	1	
17	13170-41K00-000	CLAMP,INTAKE PIPE	2	

FIG.155A

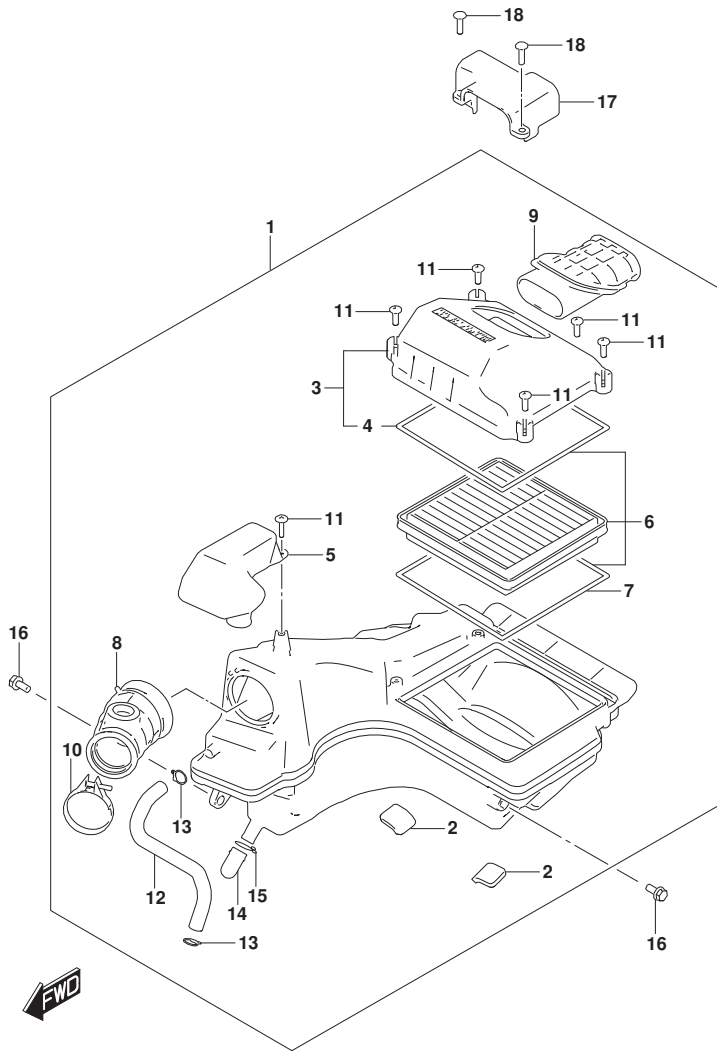


FIG.155A (1-B-16) AIR CLEANER

REF NO.	PART NO.	DESCRIPTION	Q'TY	REMARKS
1	13700-41K00-000	CLEANER ASSY,AIR	1	
2	13725-41K00-000	.CUSHION,CASE	2	
3	13740-41K00-000	.CAP,AIR CLEANER	1	
4	13746-41K00-000	.GASKET	1	
5	13761-41K00-000	.RESONATOR	1	
6	13700-41810-000	AIR FILTER KIT	1	
7	13746-41K00-000	.GASKET	1	
8	13881-41K00-000	.TUBE,OUTLET	1	
9	13891-41K00-000	.TUBE,INLET	1	
10	13826-41K00-000	.CLAMP	1	
11	03541-0520A-000	.SCREW	6	
12	13853-41K00-000	.TUBE,BREATHER	1	
13	09401-12418-000	.CLIP	2	
14	13859-41B10-000	.PLUG	1	
15	09401-14101-000	.CLIP (ID:14.5)	1	
16	01580-0616A-000	BOLT	2	
17	13842-41K00-000	COVER,AIR CLNR INTAKE	1	
18	03541-0520A-000	.SCREW	2	

FIG.163A

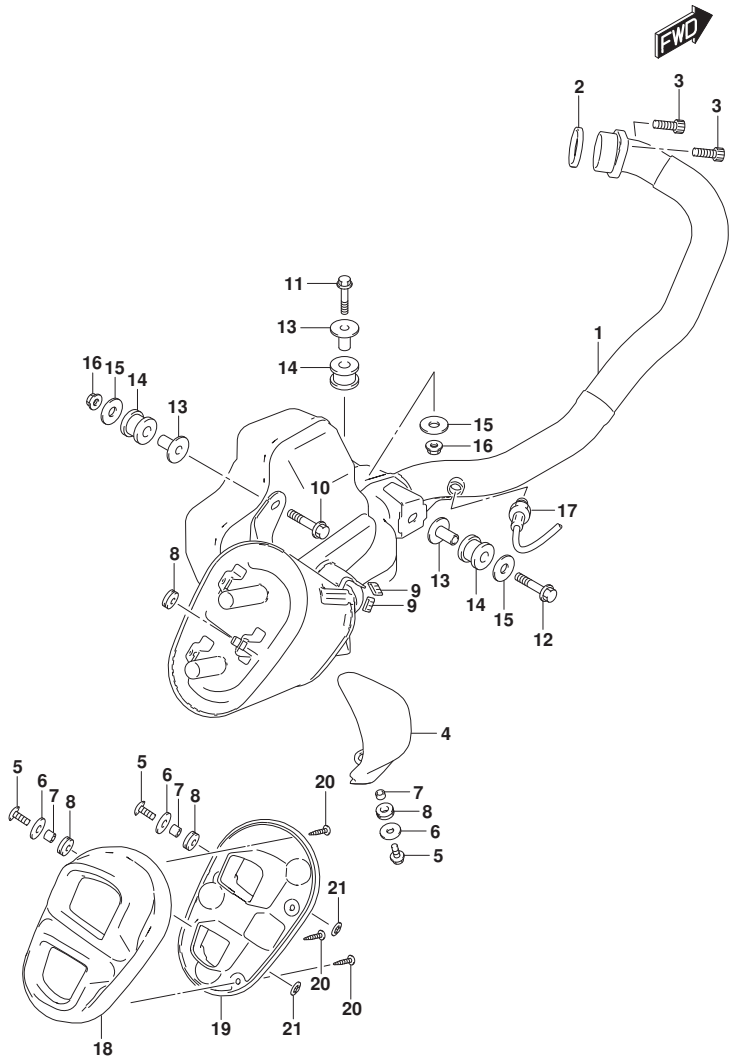


FIG.163A (1-C-2) MUFFLER

REF NO.	PART NO.	DESCRIPTION	Q'TY	REMARKS
1	14310-41K01-000	BODY,MUFFLER	1	
2	14181-14D10-000	GASKET,EXHAUST PIPE (NA)	1	
3	07130-0825A-000	BOLT	2	
4	14780-41K00-000	COVER,MUFFLER	1	
5	09139-06198-000	SCREW (6X16)	3	
6	09160-06503-000	WASHER (6.5X22X1.6)	3	
7	09180-06256-000	SPACER (6.5X9X5.7)	3	
8	09320-08504-000	CUSHION (8.4X18X6)	4	
9	14795-10FA0-000	GROMMET	2	
10	01550-0845B-000	BOLT	1	
11	01550-0845B-000	BOLT	1	
12	09103-08558-000	BOLT (8X40)	1	
13	09180-10164-000	SPACER (10.5X30X25.3)	3	
14	09320-14027-000	CUSHION (14X30X24)	3	
15	09160-08174-000	WASHER (8.5X30X1.6)	3	
16	08319-3108A-000	NUT	2	
17	18213-41K01-000	SENSOR,OXYGEN	1	
18	14791-41K00-000	COVER,MUF RR NO.1	1	
19	14792-41K00-000	COVER,MUF RR NO.2	1	
20	03241-0412B-000	SCREW	3	
21	09148-05083-000	NUT	2	

FIG.170A

FIG.170A (1-C-3) OIL PUMP

REF NO.	PART NO.	DESCRIPTION	Q'TY	REMARKS
1	16400-41K00-000	PUMP ASSY,ENGINE OIL	1	
2	16331-41K11-000	GEAR,OIL PUMP DRIVEN (NT:35)	1	
3	16421-41K00-000	PIN,OIL PUMP DRIVEN GEAR (4X29.8)	1	
4	09181-10158-000	SHIM (10X18X0.5)	2	
5	08331-31109-000	CIRCLIP	1	
6	09280-09013-000	O-RING (D:1.9,ID:8.6)	1	
7	04211-09149-000	PIN (8.5X18X2.3)	1	
8	16413-41K00-000	COVER,OIL PUMP	1	
9	01547-0625A-000	BOLT	1	
10	01547-0645A-000	BOLT	2	
11	16520-09440-000	STRAINER,ENGINE OIL	1	
12	16510-33G10-000	FILTER,ENGINE OIL	1	
13	09280-13010-000	O-RING (D:1.9,ID:12.5)	1	
14	16512-23J20-000	CAP,OIL FILTER	1	
15	09280-54001-000	O-RING (D:2.4,ID:52.6)	1	
16	16519-09J10-000	SPRING,OIL FILTER	1	
17	01547-0620A-000	BOLT	2	

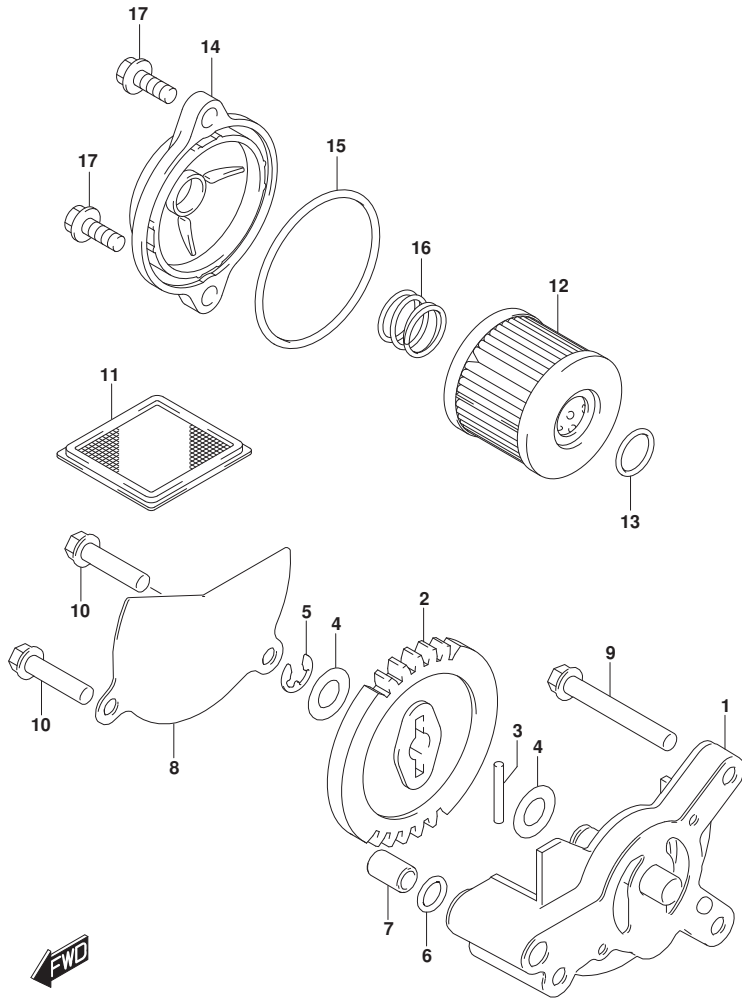


FIG.172A

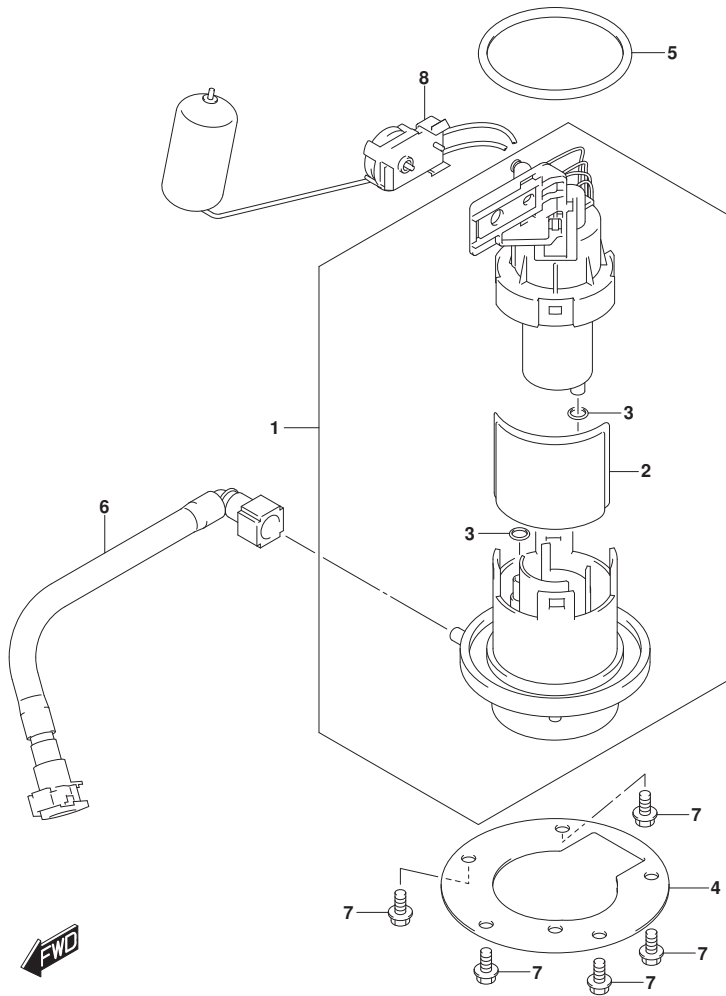


FIG.172A (1-C-4) FUEL PUMP

REF NO.	PART NO.	DESCRIPTION	Q'TY	REMARKS
1	15100-41K00-000	PUMP ASSY,FUEL	1	
2	15420-34JB0-000	.FILTER	1	
3	15424-09JB0-000	.O-RING	2	
4	15121-34JB1-000	PLATE,FUEL PUMP	1	
5	15201-34JB0-000	O-RING,FUEL PUMP	1	
6	15810-41K00-000	HOSE,FUEL	1	
7	01547-0612A-000	BOLT	5	
8	34810-34J10-000	GAUGE ASSY,FUEL LEVEL SENDER	1	

FIG.178A

FIG.178A (1-C-5) OIL COOLER

REF NO.	PART NO.	DESCRIPTION	Q'TY	REMARKS
1	16600-41K00-000	COOLER ASSY,OIL	1	
2	17802-41K00-000	.NUT	3	
3	16800-41K00-000	FAN ASSY,OIL COOLER	1	
4	09116-06111-000	BOLT (6X20)	2	
5	09180-06310-000	SPACER (6.5X10X10)	2	
6	09320-10015-000	CUSHION (10X20X10)	2	
7	16460-41K00-000	HOSE,OIL COOLER INLET	1	
8	16470-41K00-000	HOSE,OIL COOLER OUTLET	1	
9	09168-16002-000	GASKET (16X22X2)	8	
10	09360-14016-000	BOLT	1	
11	09360-16002-000	UNION (16X32)	3	
12	01550-0612A-000	BOLT	3	

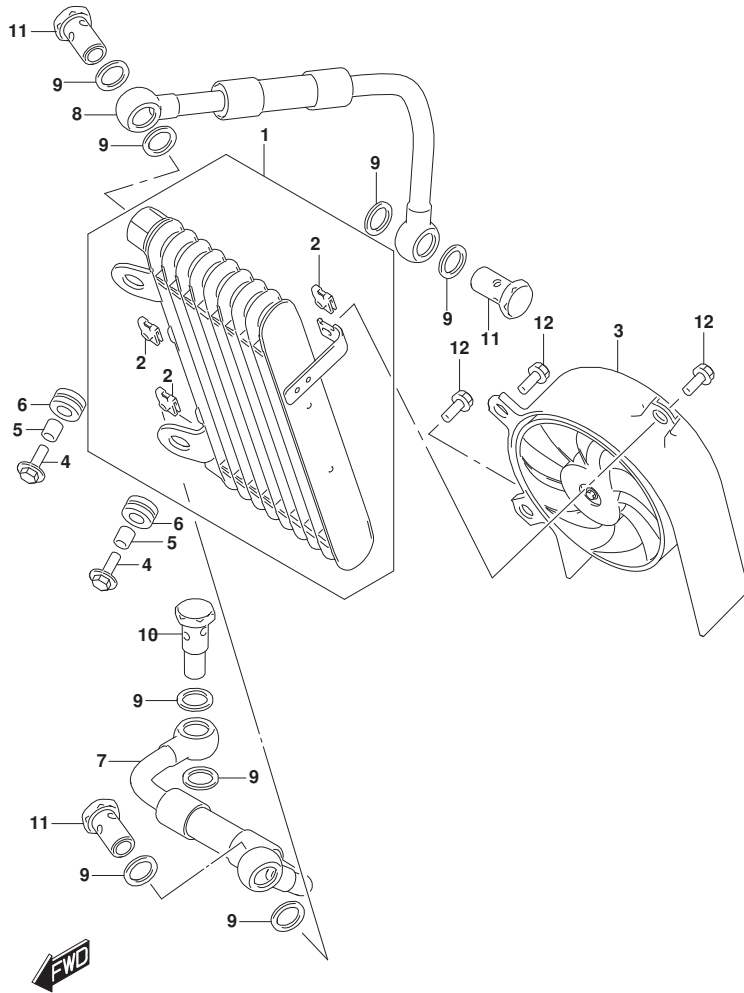


FIG.201A

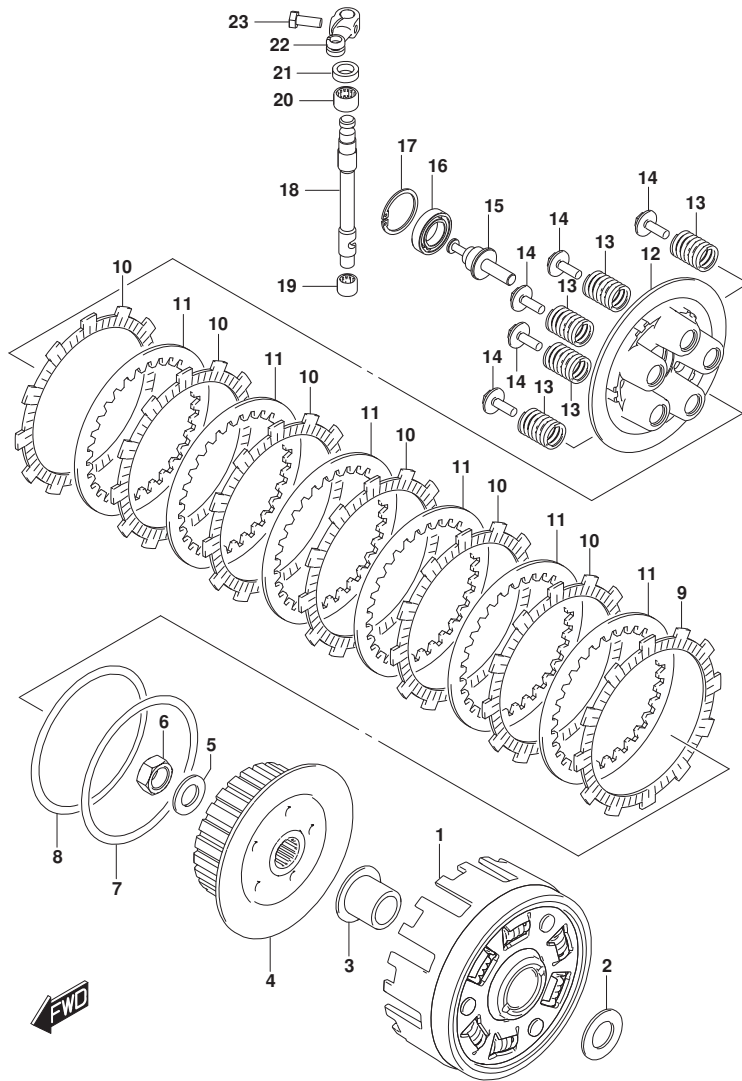


FIG.201A (1-C-6) CLUTCH

REF NO.	PART NO.	DESCRIPTION	Q'TY	REMARKS
1	21200-41KA0-000	GEAR ASSY,PRIMARY DRIVEN (NT:7 1)	1	
2	08211-20363-000	WASHER	1	
3	21251-41K10-000	SPACER,PRIMARY DRIVEN GEAR	1	
4	21411-41K00-000	HUB,CLUTCH SLEEVE	1	
5	08211-16283-000	WASHER	1	
6	09140-16038-000	NUT	1	
7	21471-41K00-000	SEAT,WAVE WASHER	1	
8	21472-41K00-000	WASHER,CLUTCH PLATE WAVE	1	
9	21442-41K00-000	PLATE,CLUTCH DRIVE NO.2 (T:3.0)	1	
10	21441-41K00-000	PLATE,CLUTCH DRIVE NO.1 (T:3.0)	6	
11	21451-41K00-000	PLATE,CLUTCH DRIVEN (T:1.6)	6	
12	21462-41K00-000	DISC,CLUTCH PRESSURE	1	
13	21481-41K00-000	SPRING,CLUTCH	5	
14	21482-41K00-000	BOLT,CLUTCH SPRING	5	
15	23121-41K00-000	PIECE,CLUTCH PULL	1	
16	08110-69030-000	BEARING	1	
17	08331-41309-000	CIRCLIP	1	
18	23122-41K00-000	CAMSHAFT,CLUTCH RELEASE	1	
19	09263-09002-000	BEARING (9X13X10)	1	
20	09263-12030-000	BEARING (12X16X10)	1	
21	09285-11001-000	SEAL (11X17X5)	1	
22	23271-41K00-000	ARM,CLUTCH RELEASE	1	
23	01500-0616B-000	BOLT	1	

FIG.206A

FIG.206A (1-C-7) TRANSMISSION

REF NO.	PART NO.	DESCRIPTION	Q'TY	REMARKS
1	24121-41KA0-000	SHAFT,COUNTER (NT:12)	1	
2	24221-41KA0-000	GEAR,2ND DRIVE (NT:16)	1	
3	24231-41KA0-000	GEAR,3RD & 4TH DRIVE (NT:18)	1	
4	24251-41KA0-000	GEAR,5TH DRIVE (NT:22)	1	
5	24252-41KA0-000	BUSH,5TH DRIVE GEAR	1	
6	24261-41KA0-000	GEAR,6TH DRIVE (NT:23)	1	
7	24130-41KA0-000	SHAFT,DRIVE	1	
8	24311-41KA0-000	GEAR,1ST DRIVEN (NT:30)	1	
9	09263-17060-000	BEARING (22X29X16.8)	1	
10	24321-41KA0-000	GEAR,2ND DRIVEN (NT:27)	1	
11	24331-41KA0-000	GEAR,3RD DRIVEN (NT:25)	1	
12	24341-41KA0-000	GEAR,4TH DRIVEN (NT:20)	1	
13	24361-41KA0-000	GEAR,6TH DRIVEN (NT:19)	1	
14	24351-41KA0-000	GEAR,5TH DRIVEN (NT:21)	1	
15	09262-17055-000	BEARING (17X14X12)	1	
16	08112-63040-000	BEARING	1	
17	09262-25189-000	BEARING (25X52X15)	1	
18	08110-62030-000	BEARING	1	
19	09380-22018-000	CIRCLIP	4	
20	09160-22088-000	WASHER (22X30X1)	1	
21	09160-17063-000	WASHER (17X26X1)	2	
22	09380-25016-000	CIRCLIP	1	
23	09283-34016-000	SEAL,OIL (34X46X8)	1	
24	24751-41K00-000	RETAINER,DRIVE SHAFT OIL SEAL	1	
25	01500-0610A-000	BOLT	2	
26	24741-20A10-000	RETAINER,SHIFT CAM,R BEARING	2	
27	02112-0612A-000	SCREW	2	
28	09280-24008-000	O-RING (D:2.5,ID:23.8)	1	
29	27531-41K00-000	SPACER,ENGINE SPROCKET	1	
30	27511-41K00-000	SPROCKET,ENGINE (NT:13)	1	
31	09167-25019-000	WASHER (25.3X41.6X1.0)	1	
32	09140-20022-000	NUT	1	
33	27610-41K00-108	CHAIN ASSY,DRIVE	1	
34	27620-41K00-000	.JOINT SET,CHAIN	1	

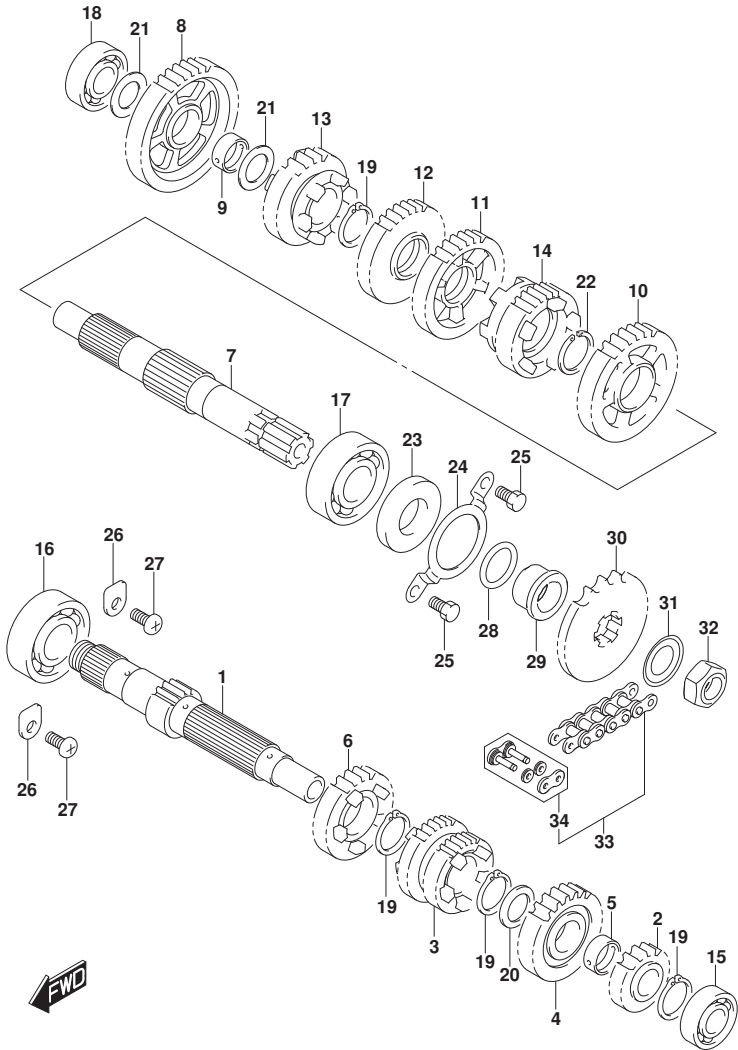


FIG.212A

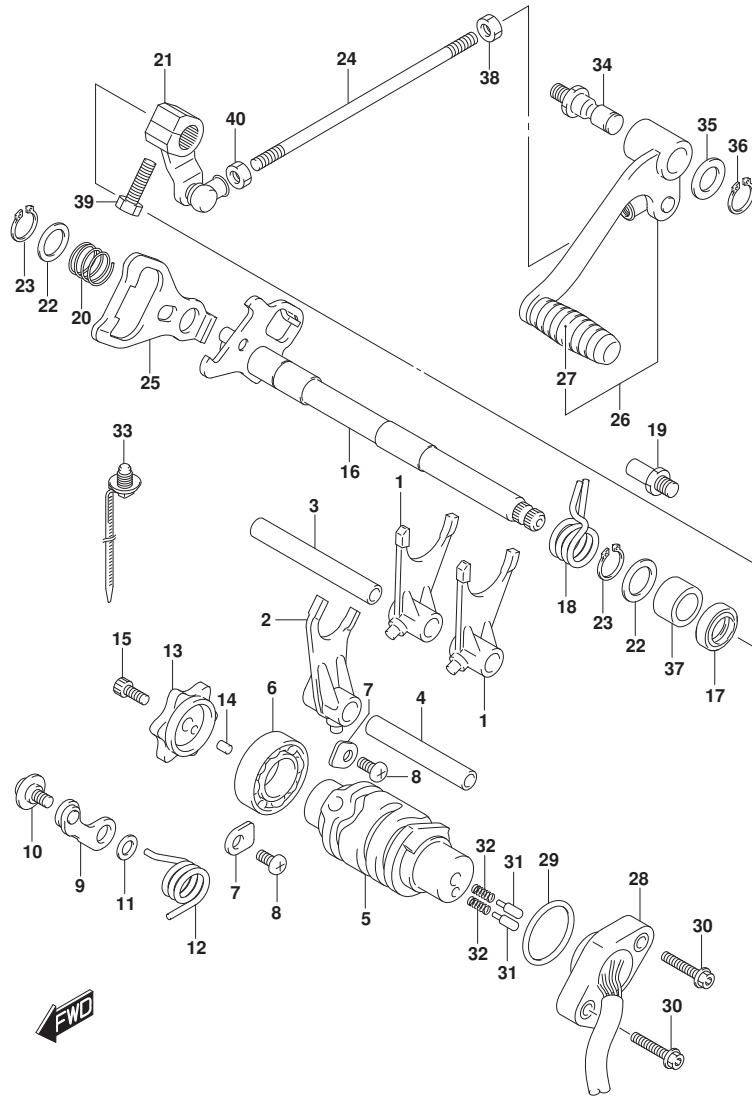


FIG.212A (1-C-8) GEAR SHIFTING

REF NO.	PART NO.	DESCRIPTION	Q'TY	REMARKS
1	25211-14D10-000	FORK,GEAR SHIFT NO.1	2	
2	25231-14D10-000	FORK,GEAR SHIFT NO.3	1	
3	25411-48H00-000	SHAFT,GEAR SHIFT FORK NO.1	1	
4	25421-14D10-000	SHAFT,GEAR SHIFT FORK NO.2	1	
5	25311-41K00-000	CAM,GEAR SHIFT	1	
6	08110-6905A-000	BEARING	1	
7	24741-20A10-000	RETAINER,SHIFT CAM,R BEARING	2	
8	02112-0612A-000	SCREW	2	
9	25350-34J20-000	STOPPER,GEAR SHIFT CAM	1	
10	25357-34J00-000	BOLT (6X14.3)	1	
11	08211-06121-000	WASHER	1	
12	25355-34J10-000	SPRING,GEAR SHIFT CAM STOPPER	1	
13	25381-34J00-000	PLATE,GEAR SHIFT CAM	1	
14	04221-04089-000	PIN (4X13.8)	1	
15	07130-0616A-000	BOLT (6X16)	1	
16	25510-41K00-000	SHAFT,GEAR SHIFT	1	
17	09283-14011-000	SEAL,OIL (14X22X6)	1	
18	25518-34J00-000	SPRING,SHIFT SHAFT RETURN	1	
19	25671-28G00-000	STOPPER,GEAR SHIFT ARM	1	
20	25515-34J00-000	SPRING,GEAR SHIFT PLATE RETURN	1	
21	25520-41K11-000	ARM,GEAR SHIFT LINK	1	
22	09181-14167-000	SHIM (14X22X1.0)	2	
23	08331-31149-000	CIRCLIP	2	
24	25525-41K00-000	ROD,GEAR SHIFT LINK	1	
25	25512-28G10-000	PLATE,GEAR SHIFT CAM DRIVE	1	
26	25600-41K10-000	LEVER ASSY,GEAR SHIFT	1	
27	25652-05J00-000	.RUBBER,GEAR SHIFT LEVER	1	
28	37720-41K01-000	BASE ASSY,GEAR SHIFT TERM	1	
29	09280-26005-000	O-RING (D:2.4,ID:26.2)	1	
30	07120-0520A-000	BOLT	2	
31	09209-05011-000	PIN (5X15.5)	2	
32	09440-04010-000	SPRING	2	
33	09407-15L01-000	CLAMP (L:170)	1	
34	25617-03F20-000	SHAFT,GEAR SHIFT LEVER	1	
35	09160-12011-000	WASHER (12.5X20X1.0)	1	

FIG.212A

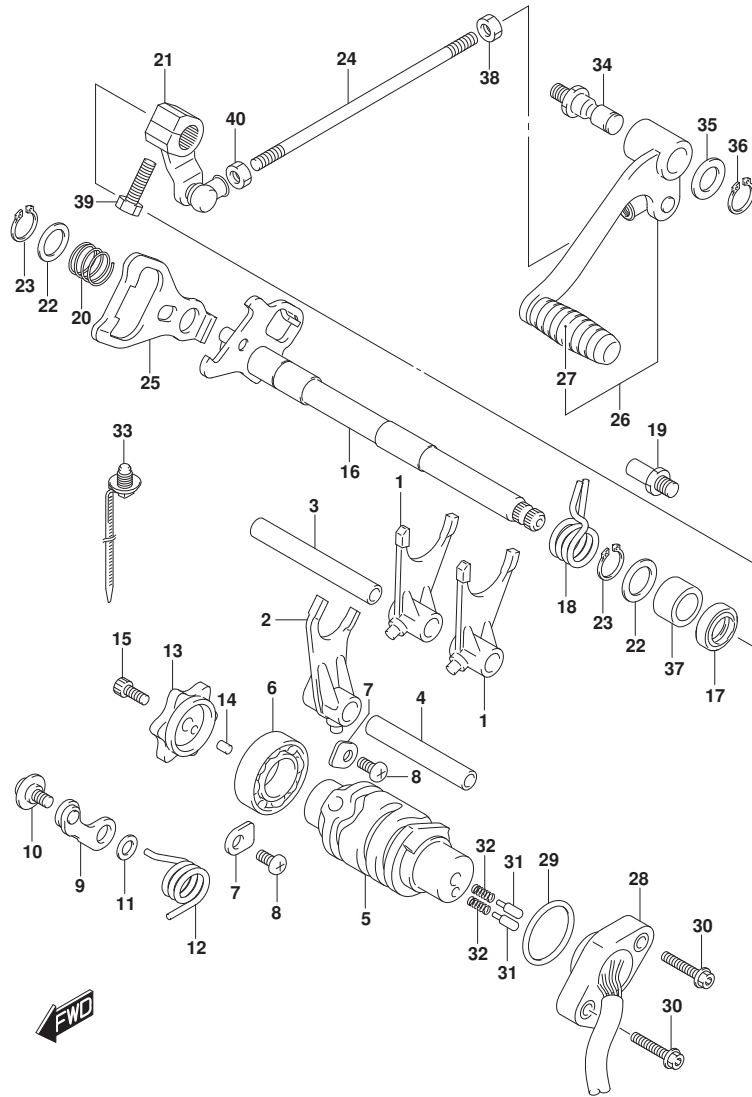


FIG.212A (1-C-9) GEAR SHIFTING

REF NO.	PART NO.	DESCRIPTION	Q'TY	REMARKS
36	08331-3112A-000	CIRCLIP	1	
37	09263-14036-000	BEARING (14X20X12)	1	
38	09140-06025-000	NUT	1	
39	01500-0620B-000	BOLT	1	
40	08310-0006A-000	NUT	1	

FIG.301A

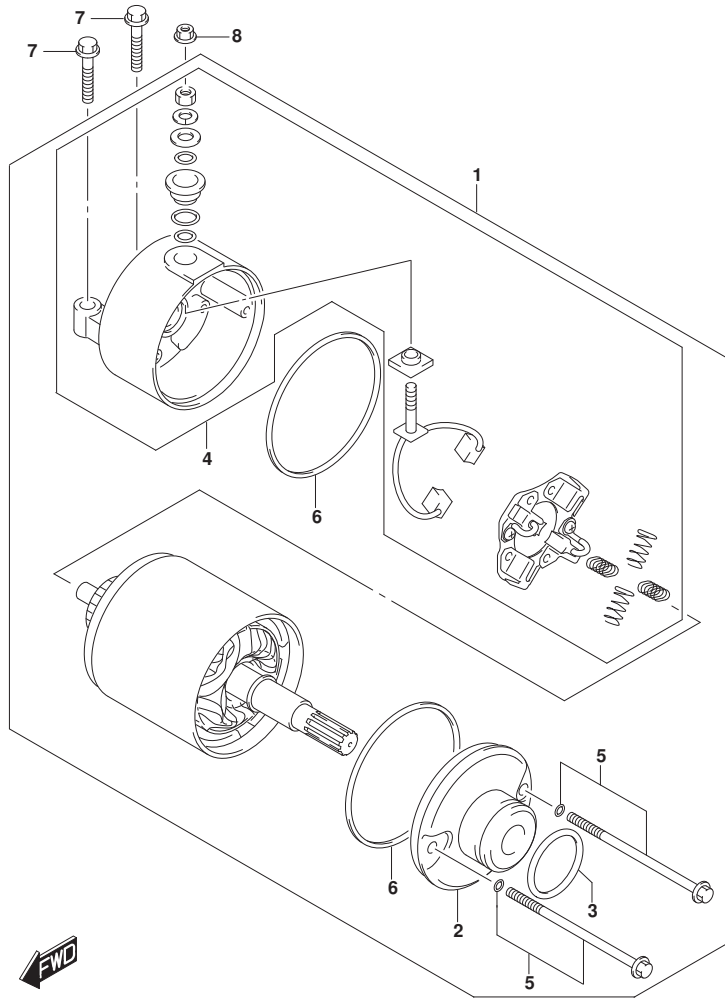


FIG.301A (1-C-10) STARTING MOTOR

REF NO.	PART NO.	DESCRIPTION	Q'TY	REMARKS
1	31100-41K00-000	MOTOR ASSY,STARTING	1	
2	31150-41K00-000	.FRONT BRACKET	1	
3	31156-41K00-000	.O-RING	1	
4	31175-41K00-000	.REAR BRACKET	1	
5	31280-41K00-000	.BOLT SET	1	
6	31264-41K00-000	.SEAL SET	1	
7	01547-0625A-000	BOLT	2	
8	08361-3506A-000	NUT	1	

FIG.303A

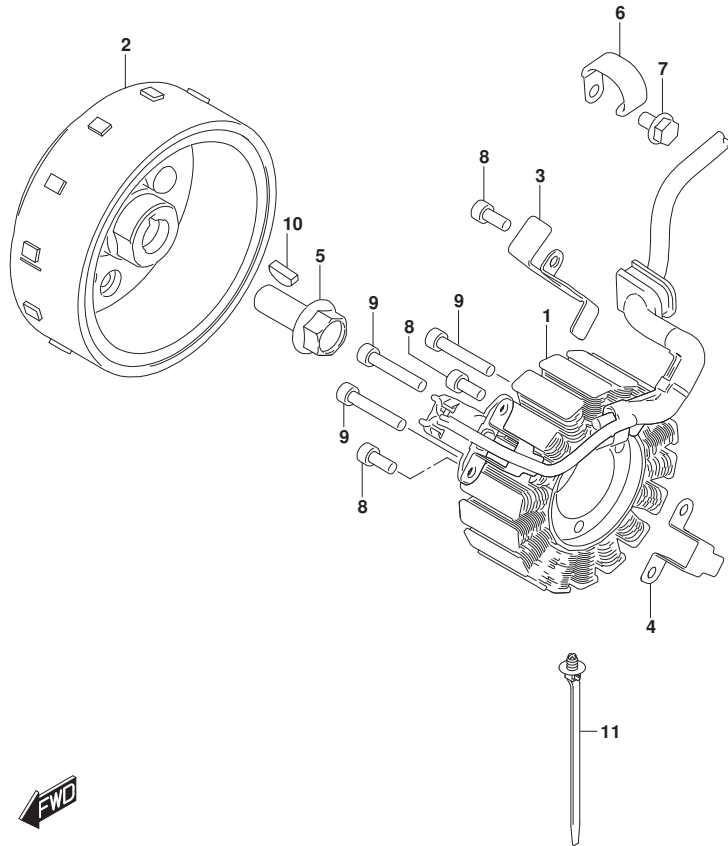


FIG.303A (1-C-11) MAGNETO

REF NO.	PART NO.	DESCRIPTION	Q'TY	REMARKS
1	32101-41K00-000	STATOR ASSY,MAGNETO	1	
2	32102-41K00-000	ROTOR ASSY,MAGNETO	1	
3	32371-41K00-000	CLAMP,MAGNETO LEAD	1	
4	32371-41K10-000	CLAMP,SENSOR LEAD	1	
5	32491-41K00-000	BOLT,MAGNETO ROTOR	1	
6	09404-06436-000	CLAMP (L:80)	1	
7	01550-0610A-000	BOLT	1	
8	07130-0512B-000	BOLT	3	
9	07130-0530B-000	BOLT	3	
10	09420-04008-000	KEY (B:4,D:16,H6.5)	1	
11	09407-15L01-000	CLAMP (L:170)	1	



FIG.310A

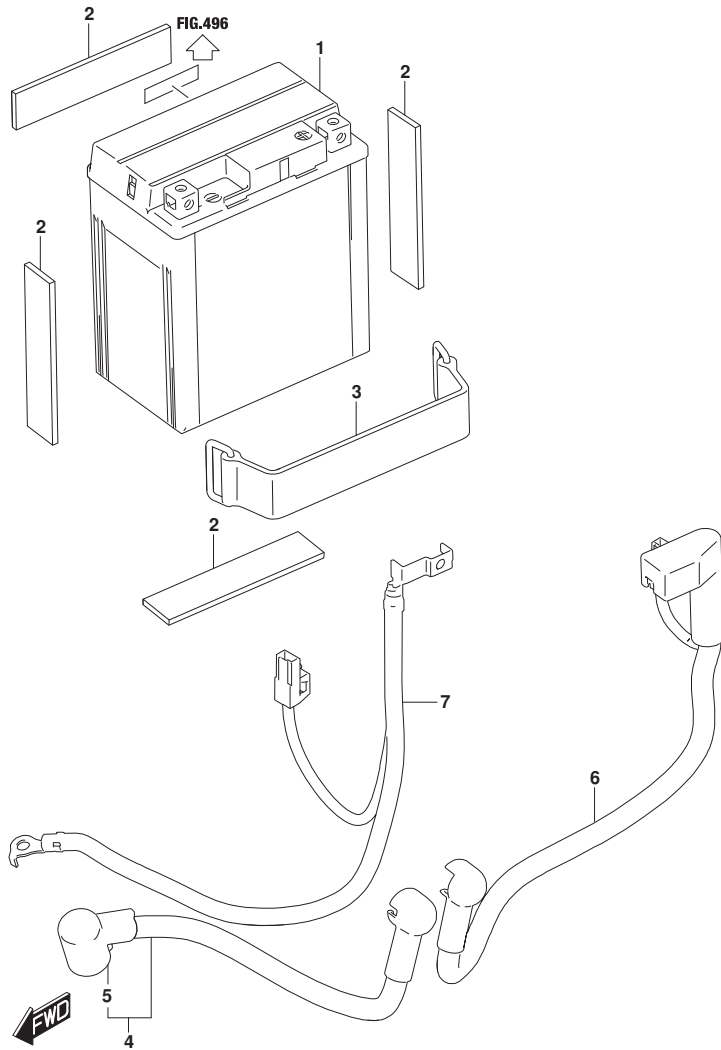


FIG.310A (1-C-12) BATTERY

REF NO.	PART NO.	DESCRIPTION	Q'TY	REMARKS
1	33620-41K10-000	BATTERY ASSY (YTZ7,12V/6.3AH)	1	
2	33652-29100-000	PROTECTOR,BATTERY (170X95X3.0)	4	
3	09462-00007-000	BAND	1	
4	33810-41K00-000	WIRE,STARTER MOTOR LEAD	1	
5	33624-41K00-000	.CAP,STARTER LEAD	1	
6	33820-41K00-000	WIRE,BATTERY PLUS LEAD	1	
7	33860-41K00-000	WIRE,BATTERY MINUS LEAD	1	

FIG.312A

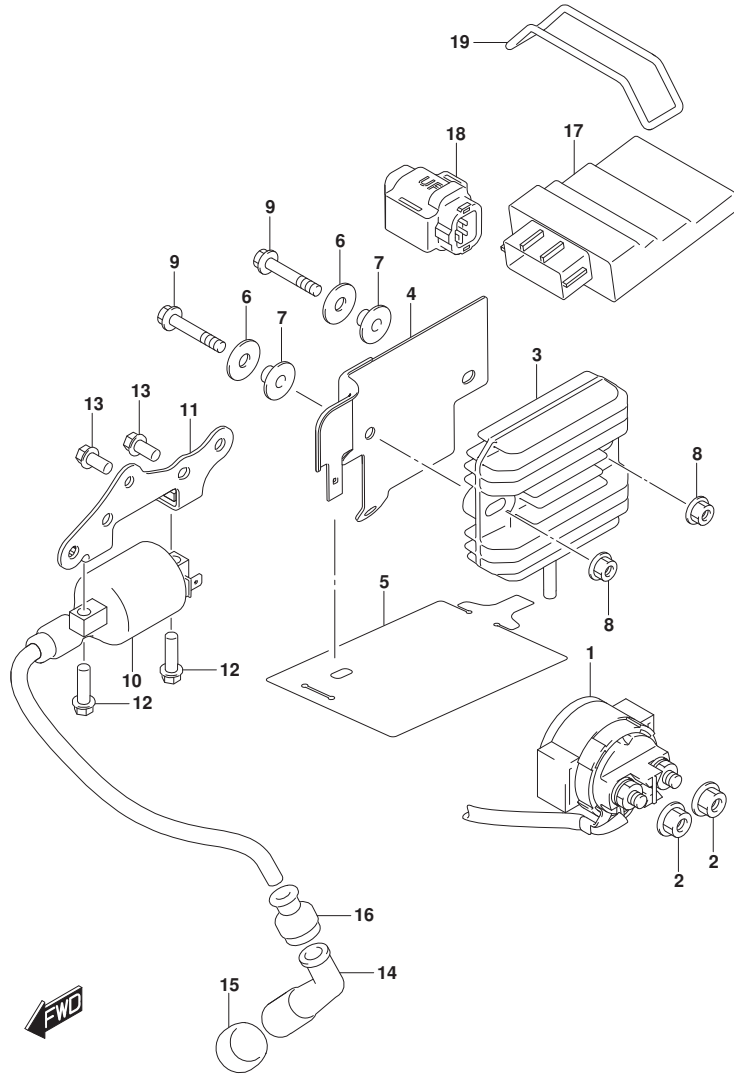


FIG.312A (1-C-13) ELECTRICAL

REF NO.	PART NO.	DESCRIPTION	Q'TY	REMARKS
1	31800-34J02-000	RELAY ASSY,STARTING MOTOR	1	
2	08361-3506A-000	NUT	2	
3	32800-20K30-000	RECTIFIER ASSY	1	
4	32832-41K00-000	PLATE,RECTIFIER	1	
5	32852-41K00-000	PROTECTOR,RECTIFIER	1	
6	09160-06060-000	WASHER (6.5X20X1.2)	2	
7	09180-06380-000	SPACER (6.2X8.4X6.9)	2	
8	08316-1006B-000	NUT	2	
9	01547-0630B-000	BOLT	2	
10	33410-41K00-000	COIL ASSY,IGNITION	1	
11	33414-41K00-000	BRACKET,IGNITION COIL	1	
12	01547-0620A-000	BOLT	2	
13	01547-0612A-000	BOLT	2	
14	33510-41K00-000	CAP ASSY,SPARK PLUG	1	
15	33541-08K00-000	SEAL,SPARK PLUG	1	
16	33542-30H00-000	SEAL,HIGH TENSION CORD	1	
17	32920-41K30-000	CONTROL UNIT,FI	1	
18	33960-27G00-000	SENSOR ASSY,FUEL CUT	1	
19	09280-63003-000	O-RING (D:3.5, ID:62.6)	1	

FIG.330A

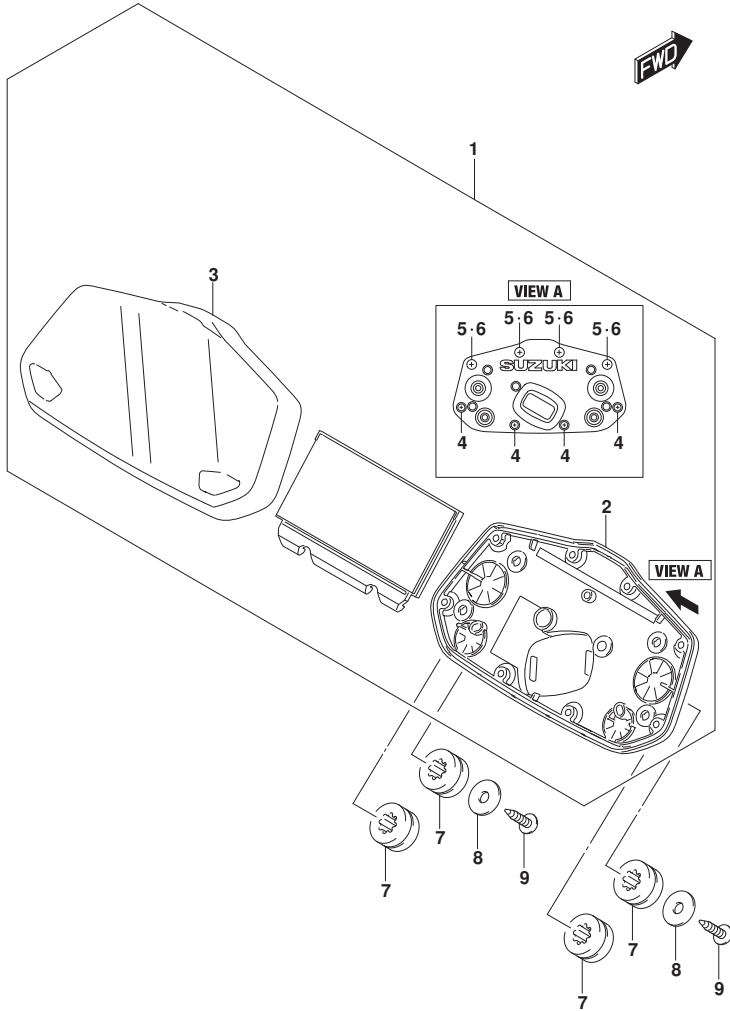


FIG.330A (1-C-14) SPEEDOMETER

REF NO.	PART NO.	DESCRIPTION	Q'TY	REMARKS
1	34100-41KA1-000	SPEEDOMETER ASSY	1	
2	34150-41KA0-000	.CASE,UPPER	1	
3	34111-41K01-000	.CASE,LOWER	1	
4	34183-10C00-000	.SCREW	4	
5	34183-41K00-000	.SCREW	4	
6	34184-41K00-000	.PACKING	4	
7	34189-34J00-000	CUSHION,SPEEDOMETER	4	
8	09160-05037-000	WASHER (5.5X16X1.2)	2	
9	03541-0516A-000	SCREW	2	

FIG.333A

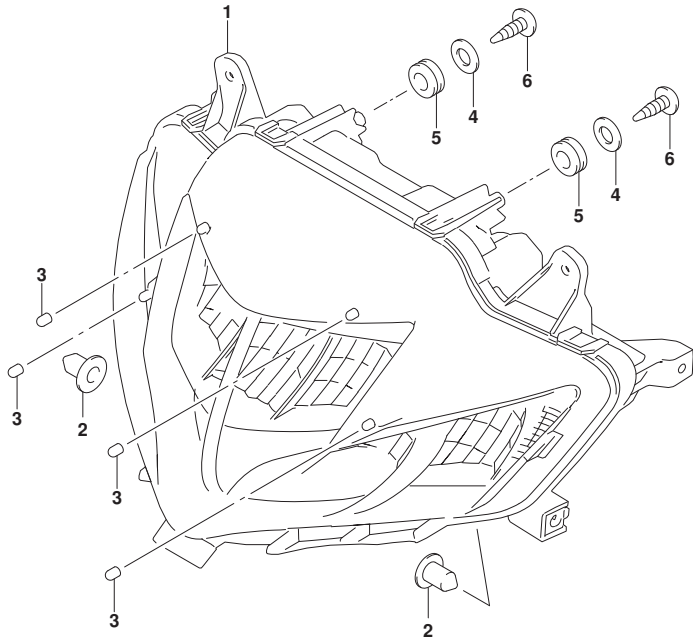


FIG.333A (1-C-15) HEADLAMP

REF NO.	PART NO.	DESCRIPTION	Q'TY	REMARKS
1	35100-41K01-000	HEADLAMP ASSY	1	
2	51831-30H10-000	CUSHION,METER BRACE	2	
3	44294-43H11-000	CUSHION,FUEL TANK COVER	4	
4	09160-05501-000	WASHER (5.5X20X1.2)	2	
5	09320-08018-000	CUSHION (8X26X7)	2	
6	03541-0516A-000	SCREW	2	



FIG.334A

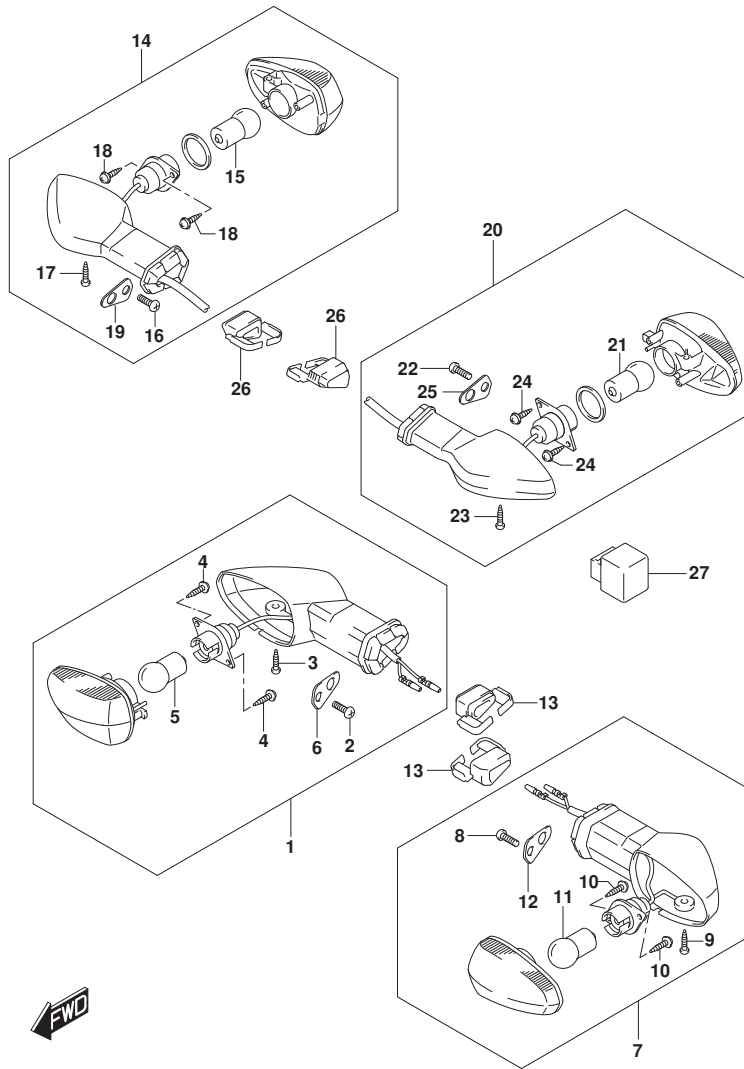


FIG.334A (1-C-16) TURNSIGNAL LAMP

REF NO.	PART NO.	DESCRIPTION	Q'TY	REMARKS
1	35601-20L80-000	LAMP ASSY,FRONT TURNSIGNAL,R	1	
2	35623-34J00-000	.SCREW	1	
3	35623-34J30-000	.SCREW	1	
4	35623-34J40-000	.SCREW	2	
5	35222-34J80-000	.BULB (12V10W,AMBER)	1	
6	35616-34J00-000	.PLATE	1	
7	35602-20L80-000	LAMP ASSY,FRONT TURNSIGNAL,L	1	
8	35623-34J00-000	.SCREW	1	
9	35623-34J30-000	.SCREW	1	
10	35623-34J40-000	.SCREW	2	
11	35222-34J80-000	.BULB (12V10W,AMBER)	1	
12	35616-34J00-000	.PLATE	1	
13	35629-34J30-000	PLATE,FRONT TURNSIGNAL	2	
14	35603-20L80-000	LAMP ASSY,REAR TURNSIGNAL,R	1	
15	35222-34J80-000	.BULB (12V10W,AMBER)	1	
16	35623-34J00-000	.SCREW	1	
17	35623-34J30-000	.SCREW	1	
18	35623-34J40-000	.SCREW	2	
19	35616-34J00-000	.PLATE	1	
20	35604-20L80-000	LAMP ASSY,REAR TURNSIGNAL,L	1	
21	35222-34J80-000	.BULB (12V10W,AMBER)	1	
22	35623-34J00-000	.SCREW	1	
23	35623-34J30-000	.SCREW	1	
24	35623-34J40-000	.SCREW	2	
25	35616-34J00-000	.PLATE	1	
26	35629-34J30-000	PLATE,FRONT TURNSIGNAL	2	
27	38610-27K00-000	RELAY ASSY,TURNSIGNAL	1	

FIG.339A

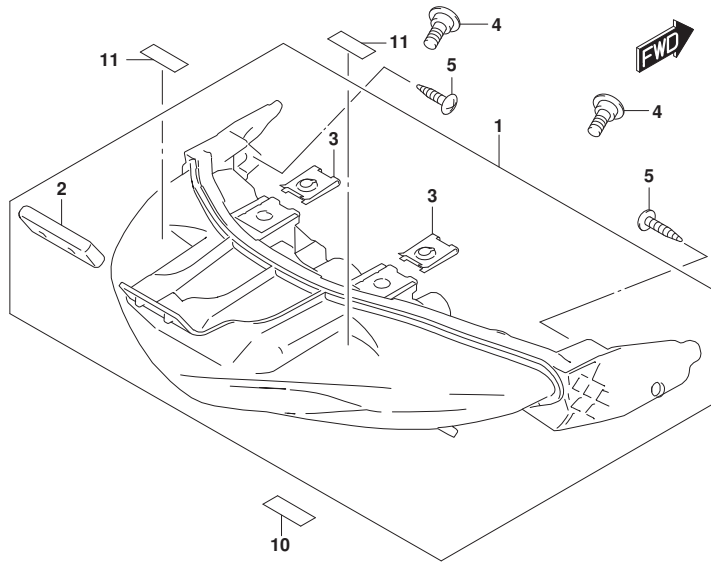


FIG.339A (1-D-2) REAR COMBINATION LAMP

REF NO.	PART NO.	DESCRIPTION	Q'TY	REMARKS
1	35710-41K00-000	LAMP ASSY,REAR COMB	1	
2	35716-34J00-000	.RUBBER	1	
3	94484-24F00-000	.NUT,COWL	1	
4	09139-06219-000	BOLT (6X13)	2	
5	03541-0512A-000	SCREW	4	
6	35910-23K00-000	LAMP ASSY,LICENSE	1	
7	35913-23K00-000	.RUBBER	1	
8	09160-05050-000	WASHER (5.5X18X1)	2	
9	35693-41K00-000	PROTECTOR,TUBE	1	
10	48178-31C00-000	CUSHION (15X30X3)	1	
11	94433-05J00-000	CUSHION (10X15X1)	2	
12	35970-28G00-000	REFLECTOR ASSY,RR	1	
13	09160-05050-000	WASHER (5.5X18X1)	1	
14	08319-2105A-000	NUT	1	

FIG.350A

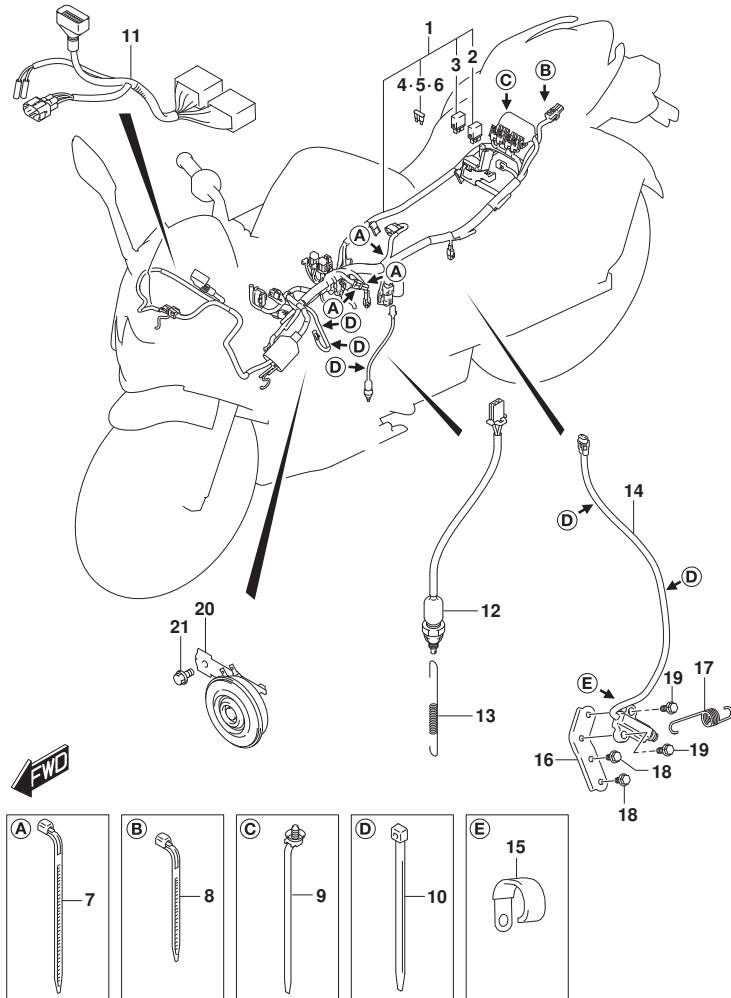


FIG.350A (1-D-3) WIRING HARNESS

REF NO.	PART NO.	DESCRIPTION	Q'TY	REMARKS
1	36610-41KF0-000	HARNES,WIRING NO.1	1	
2	38860-76F01-000	.RELAY ASSY	1	STARTER SUB
3	38860-76F01-000	.RELAY ASSY	1	FAN MOTOR
4	09481-10501-000	.FUSE (10A)	3	
5	09481-15501-000	.FUSE (15A)	2	
6	09481-20501-000	.FUSE (20A)	1	
7	36990-70F20-000	CLAMP,COMB SW WIRE (L:165)	3	
8	09407-11L01-000	CLAMP (L:95)	1	
9	09407-15L01-000	CLAMP (L:170)	1	
10	09407-14407-000	CLAMP (L:145)	5	
11	36620-41K00-000	HARNES,WIRING NO.2	1	
12	37740-34J20-000	SWITCH ASSY,STOP LAMP	1	
13	43232-34J00-000	SPRING,STOP LAMP SWITCH	1	
14	37840-48K00-000	SWITCH ASSY,SIDE STAND	1	
15	09404-06429-000	CLAMP (L:45)	1	
16	42360-41K00-000	PLATE,SIDE STAND SWITCH	1	
17	09443-19012-000	SPRING	1	
18	01550-0612B-000	BOLT	2	
19	01550-0620A-000	BOLT (6X20)	2	
20	38500-41K01-000	HORN ASSY	1	
21	01550-0610B-000	BOLT	1	

FIG.352A

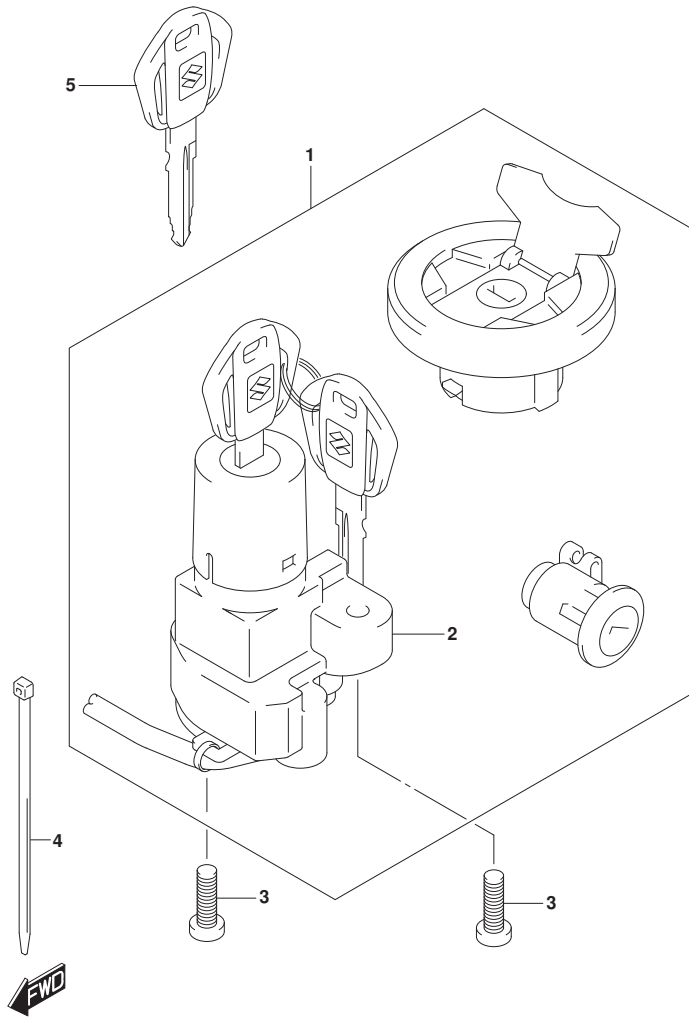


FIG.352A (1-D-4) LOCK SET

REF NO.	PART NO.	DESCRIPTION	QTY	REMARKS
1	37102-20810-000	LOCK SET	1	
2	37100-20L60-000	.LOCK ASSY,STEERING	1	
3	37152-30H00-000	BOLT,STEERING LOCK	2	
4	09407-14407-000	CLAMP (L:145)	1	
5	37146-41K00-000	KEY,BLANK	1	OPT

FIG.355A

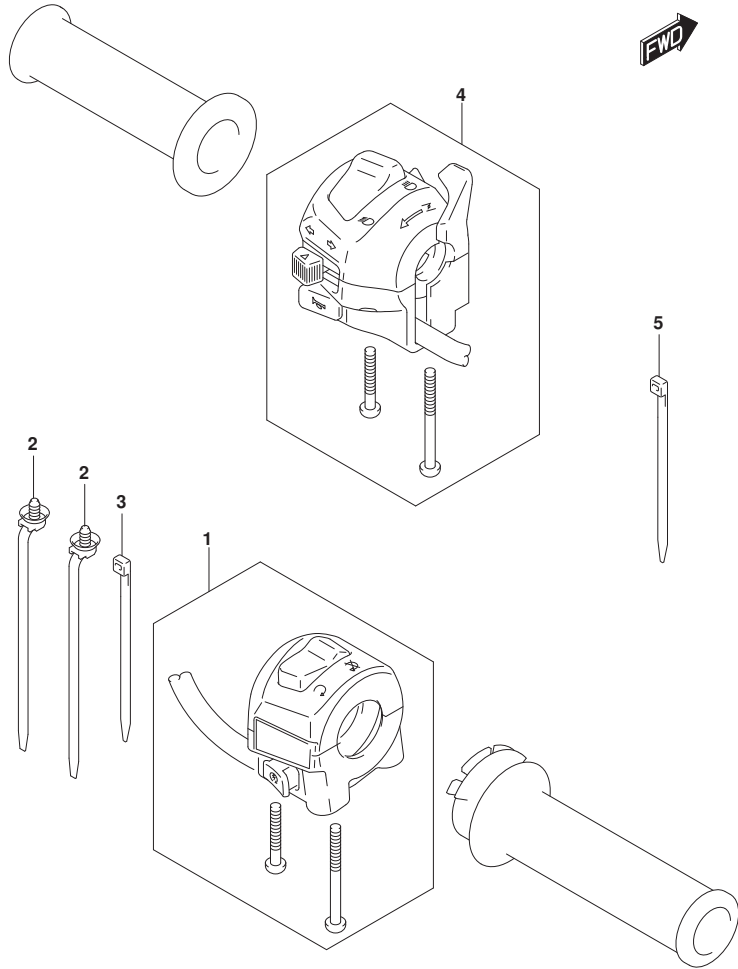


FIG.355A (1-D-5) HANDLE SWITCH

REF NO.	PART NO.	DESCRIPTION	Q'TY	REMARKS
1	37200-34JD0-000	SWITCH ASSY,HANDLE,R	1	
2	09407-15L01-000	CLAMP (L:170)	2	
3	09407-14407-000	CLAMP (L:145)	1	
4	37400-34JD0-000	SWITCH ASSY,HANDLE,L	1	
5	09407-14407-000	CLAMP (L:145)	1	

FIG.401A

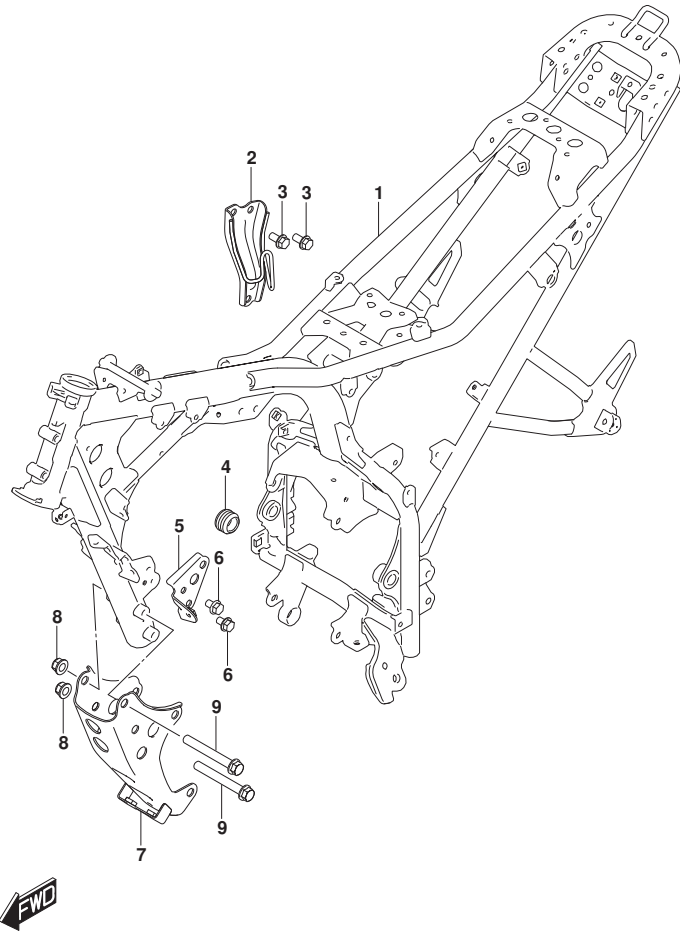


FIG.401A (1-D-6) FRAME

REF NO.	PART NO.	DESCRIPTION	Q'TY	REMARKS
1	41100-41K50-000	FRAME	1	
2	41980-41K00-000	PLATE,ENG MTG UPPER	1	
3	01550-0816A-000	BOLT (8X16)	2	
4	43585-27K00-000	CAP,FRAME BRIDGE LOWER	1	
5	41994-41K00-000	PLATE,ENG MTG FRONT	1	
6	01550-0812B-000	BOLT	2	
7	41990-41K00-000	BRACKET,ENG MTG LOWER	1	
8	08319-3110B-000	NUT	2	
9	41933-34J00-000	BOLT,ENG MTG LOWER	2	

FIG.406A

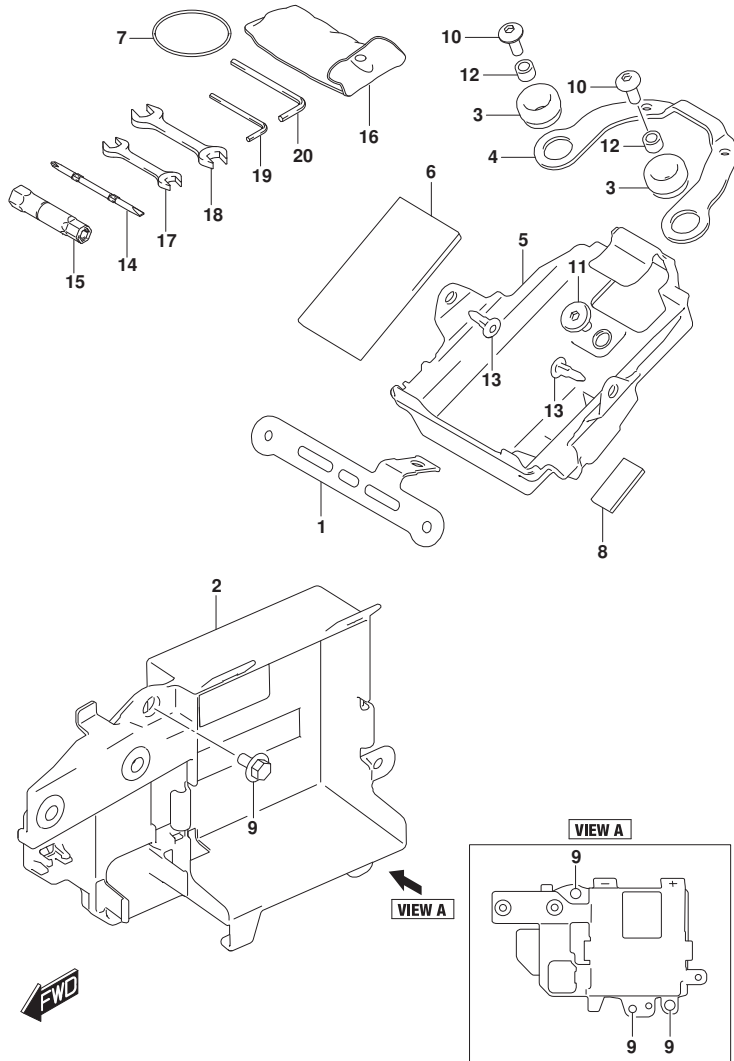


FIG.406A (1-D-7) HOLDER

REF NO.	PART NO.	DESCRIPTION	Q'TY	REMARKS
1	38741-41K10-000	BRACKET,RELAY	1	
2	41542-41K00-000	HOLDER,BATTERY	1	
3	47312-37H10-000	CUSHION (10X24X13)	2	
4	47415-41K00-000	BRACKET,REAR COMB	1	
5	47431-41K00-000	HOLDER,TOOL	1	
6	47432-41K00-000	CUSHION (80X138X5)	1	
7	47435-41K00-000	BAND,TOOL	1	
8	48178-31C00-000	CUSHION (15X30X3)	1	
9	09111-06063-000	BOLT (6X12)	3	
10	09139-06139-000	SCREW (6X16)	2	
11	09139-06219-000	BOLT (6X13)	1	
12	09180-06283-000	SPACER (6.5X10X7)	2	
13-1	09409-06L07-000	CLIP	2	HARYANA
13-2	09409-06346-000	CLIP	2	ARAYMOND
14	96412-33G50-000	DRIVER (+,-)	1	
15	96414-33G50-000	SPANNER,BOX (16)	1	
16	96511-41K00-000	BAG,TOOL	1	
17	96513-23J00-000	SPANNER,OPEN (10X12)	1	
18	96513-23J10-000	SPANNER,OPEN (14X17)	1	
19	96514-23J00-000	SPANNER,HEXAGON (4)	1	
20	96514-23J10-000	SPANNER,HEXAGON (5)	1	

FIG.407A

FIG.407A (1-D-8) STAND

REF NO.	PART NO.	DESCRIPTION	Q'TY	REMARKS
1	42310-27K20-000	STAND,PROP	1	
2	09443-14069-000	SPRING	1	
3	42341-27K00-000	BOLT,PROP STAND (10X33)	1	
4	08319-2110B-000	NUT	1	
5	43110-34J20-000	PEDAL,BRAKE	1	
6	09160-15002-000	WASHER (15.5X26X2.3)	1	
7	04111-3025A-000	PIN	1	
8	43211-23J00-000	SPRING,BRAKE PEDAL	1	

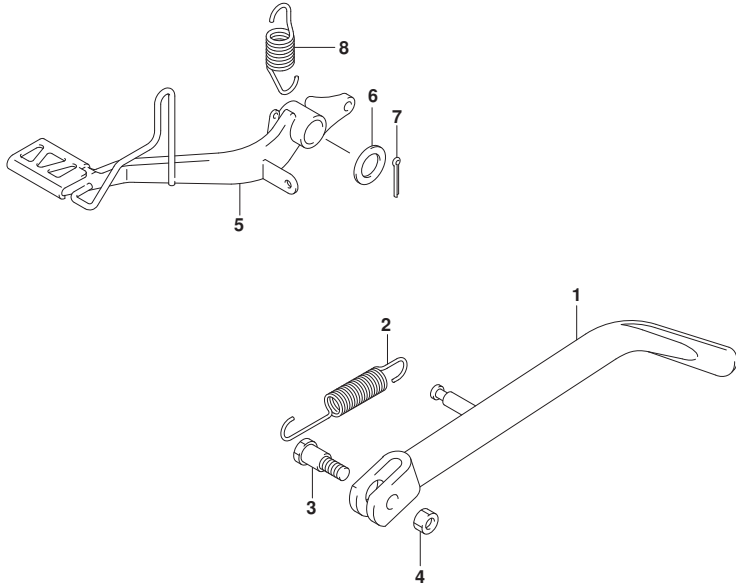


FIG.410B

FIG.410B (1-D-9) PILLION RIDER HANDLE (GSX250FRLM)

REF NO.	PART NO.	DESCRIPTION	Q'TY	REMARKS
1-1	46211-41K00-YKV	HANDLE,PILLION RIDER,R (BLACK)	1	BODY COLOR:YKV
1-2	46211-41K00-YUA	HANDLE,PILLION RIDER,R (BLUE)	1	BODY COLOR:YUA
2-1	46231-41K00-YKV	HANDLE,PILLION RIDER,L (BLACK)	1	BODY COLOR:YKV
2-2	46231-41K00-YUA	HANDLE,PILLION RIDER,L (BLUE)	1	BODY COLOR:YUA
3	01550-0825A-000	BOLT	4	

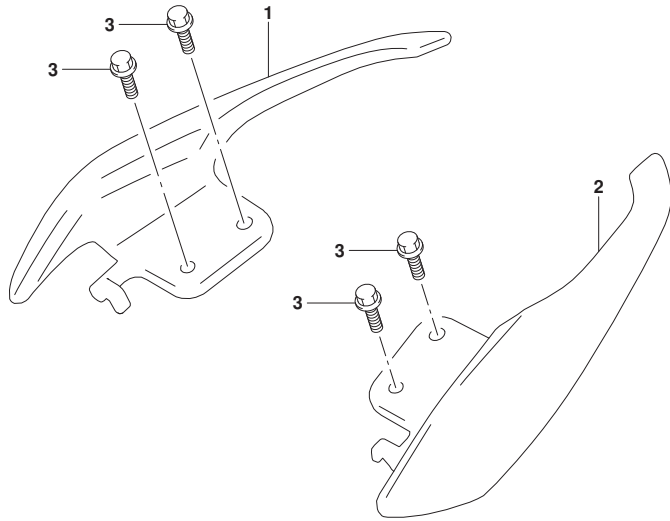


FIG.410C

FIG.410C (1-D-10) PILLION RIDER HANDLE (GSX250FRLN)

REF NO.	PART NO.	DESCRIPTION	Q'TY	REMARKS
1	46211-41K00-YSF	HANDLE,PILLION RIDER,R (.BLUE)	1	BODY COLOR:BPD
2	46231-41K00-YSF	HANDLE,PILLION RIDER,L (.BLUE)	1	BODY COLOR:BPD
3	01550-0825A-000	BOLT	4	

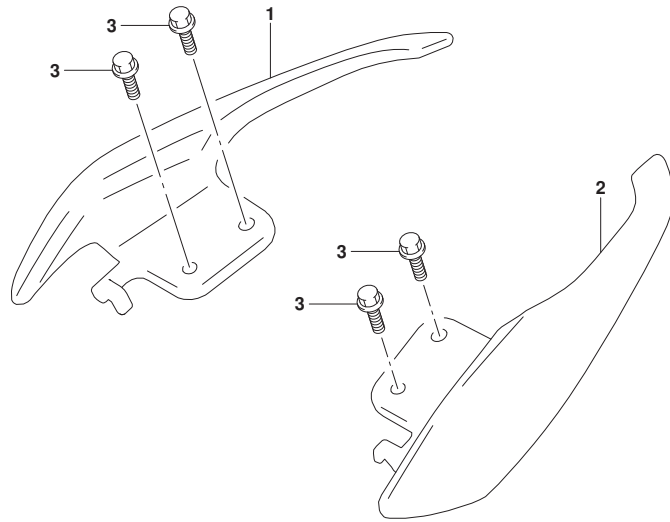


FIG.415A

FIG.415A (1-D-11) FOOTREST

REF NO.	PART NO.	DESCRIPTION	Q'TY	REMARKS
1	43510-34J00-000	BRACKET,FR FOOTREST,R	1	
2	43521-34J10-000	BRACKET,FR FOOTREST,L	1	
3	01550-0825A-000	BOLT	4	
4	43550-44G30-000	RUBBER,FOOTREST	2	
5	43529-34J00-000	PIN,FRONT FOOTREST	2	
6	04111-2515A-000	PIN	2	
7	09448-16033-000	SPRING	2	
8	43511-44G10-000	BAR,FR FOOTREST,R	1	
9	43521-44G10-000	BAR,FR FOOTREST,L	1	
10	02142-0512A-000	SCREW	4	
11	43576-48B02-000	BOLT,BANK SENSOR	2	
12	43611-37H70-000	BAR,PILLION FOOTREST,R	1	
13	43621-37H70-000	BAR,PILLION FOOTREST,L	1	
14	43529-34J10-000	PIN,PILLION FOOTREST	2	
15	04111-2515A-000	PIN	2	
16	09440-05003-000	SPRING	2	
17	06111-07004-000	BALL	2	

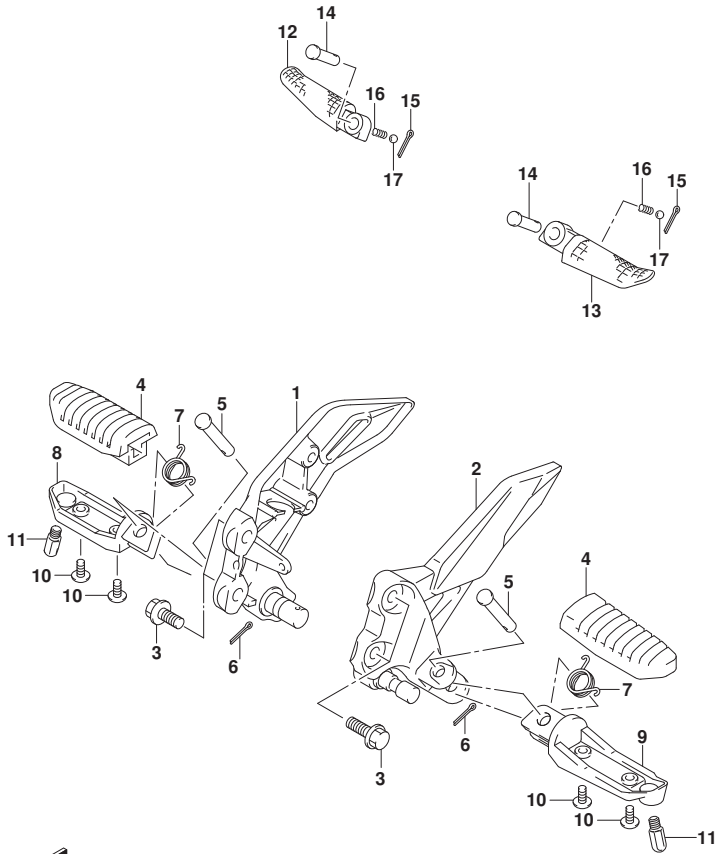


FIG.423A

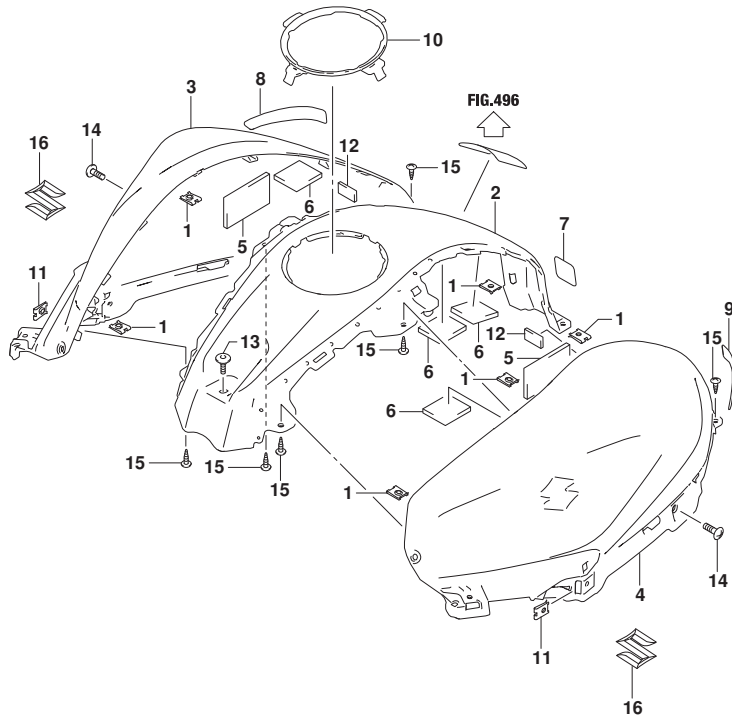


FIG.423A (1-D-13) FUEL TANK COVER (GSX250FRLM)

REF NO.	PART NO.	DESCRIPTION	Q'TY	REMARKS
1	09148-05L04-000	NUT (M5)	6	
2-1	44171-41K00-YKV	COVER,FUEL TANK CTR (BLACK)	1	BODY COLOR:YKV
2-2	44171-41K00-YMC	COVER,FUEL TANK CTR (SILVER)	1	BODY COLOR:YUA
3-1	44181-41K00-YKV	COVER,FUEL TANK,R (BLACK)	1	BODY COLOR:YKV
3-2	44181-41K00-YUA	COVER,FUEL TANK,R (BLUE)	1	BODY COLOR:YUA
4-1	44191-41K00-YKV	COVER,FUEL TANK,L (BLACK)	1	BODY COLOR:YKV
4-2	44191-41K00-YUA	COVER,FUEL TANK,L (BLUE)	1	BODY COLOR:YUA
5	44271-34J01-000	CUSHION,FUEL TANK COVER	2	
6	44282-34J01-000	CUSHION,TANK COVER CTR	4	
7	44283-41K00-000	PROTECTOR,TANK COVER CTR	1	
8	44284-41K00-000	PROTECTOR,TANK COV NO.1,R	1	
9	44285-41K00-000	PROTECTOR,TANK COV NO.1,L	1	
10	44295-41K00-000	RUBBER,FUEL TANK COVER	1	
11	47349-34J01-000	NUT (M5)	2	
12	48178-31C00-000	CUSHION (15X30X3)	2	
13	09139-05096-000	BOLT (5X13)	1	
14	02142-0608A-000	SCREW	2	
15	03541-0512A-000	SCREW	6	
16	68311-27K00-000	EMBLEM,S	2	

FIG.423B

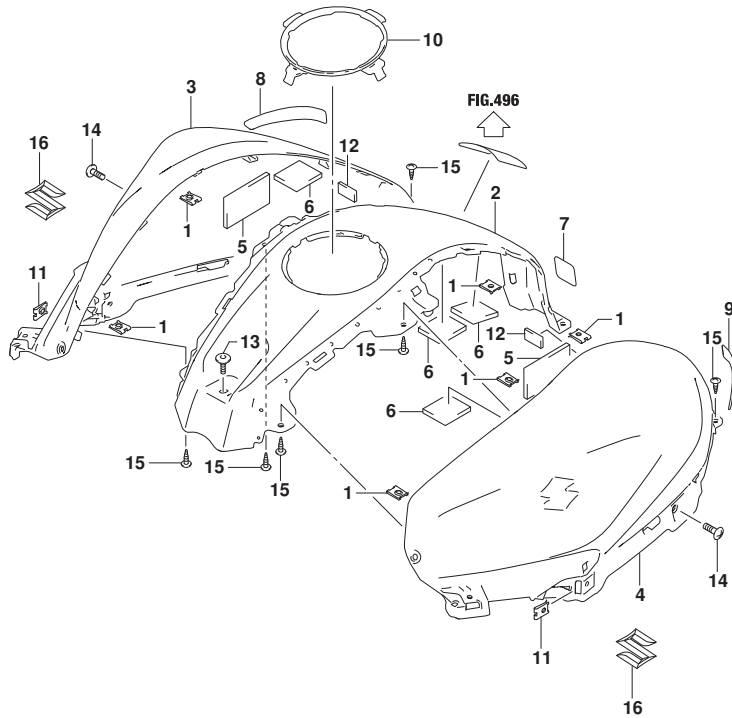


FIG.423B (1-D-14) FUEL TANK COVER (GSX250FRLN)

REF NO.	PART NO.	DESCRIPTION	Q'TY	REMARKS
1	09148-05L04-000	NUT (M5)	6	
2	44171-41K00-YSF	COVER,FUEL TANK CTR (BLUE)	1	
3	44181-41K00-YSF	COVER,FUEL TANK,R (BLUE)	1	
4	44191-41K00-YSF	COVER,FUEL TANK,L (BLUE)	1	
5	44271-34J01-000	CUSHION,FUEL TANK COVER	2	
6	44282-34J01-000	CUSHION,TANK COVER CTR	4	
7	44283-41K00-000	PROTECTOR,TANK COVER CTR	1	
8	44284-41K00-000	PROTECTOR,TANK COV NO.1,R	1	
9	44285-41K00-000	PROTECTOR,TANK COV NO.1,L	1	
10	44295-41K00-000	RUBBER,FUEL TANK COVER	1	
11	47349-34J01-000	NUT (M5)	2	
12	48178-31C00-000	CUSHION (15X30X3)	2	
13	09139-05096-000	BOLT (5X13)	1	
14	02142-0608A-000	SCREW	2	
15	03541-0512A-000	SCREW	6	
16	68311-27K00-000	EMBLEM,S	2	

FIG.427A

FIG.427A (1-D-15) EVAP SYSTEM

REF NO.	PART NO.	DESCRIPTION	Q'TY	REMARKS
1	18560-27KA0-000	CANISTER ASSY, EVAP	1	
2	09401-08004-000	CLIP	3	
3	09401-09406-000	CLIP	3	
4	18571-41K00-000	BRACKET, CANISTER	1	
5	18572-29J00-000	CUSHION, CANISTER	1	
6	01547-0612A-000	BOLT	2	
7	18561-41K00-000	HOSE, CANISTER SURGE	1	
8	18562-41K00-000	HOSE, CANISTER PURGE NO.1	1	
9	18568-41K00-000	HOSE, CANISTER DRAIN	1	
10	44434-20L00-000	HOSE, TANK & BRTHR VALVE	1	
11	09401-11009-000	CLIP	2	
12	44240-13H00-000	VALVE, FUEL TANK BREATHER	1	
13	18563-41K00-000	HOSE, CANISTER PURGE NO.2	1	
14	08316-1006A-000	NUT (6X12)	1	
15	18117-73M00-000	VALVE, CANISTER PURGE	1	
16	44894-34J00-000	CUSHION, FUEL TANK BRTHR VALVE	1	

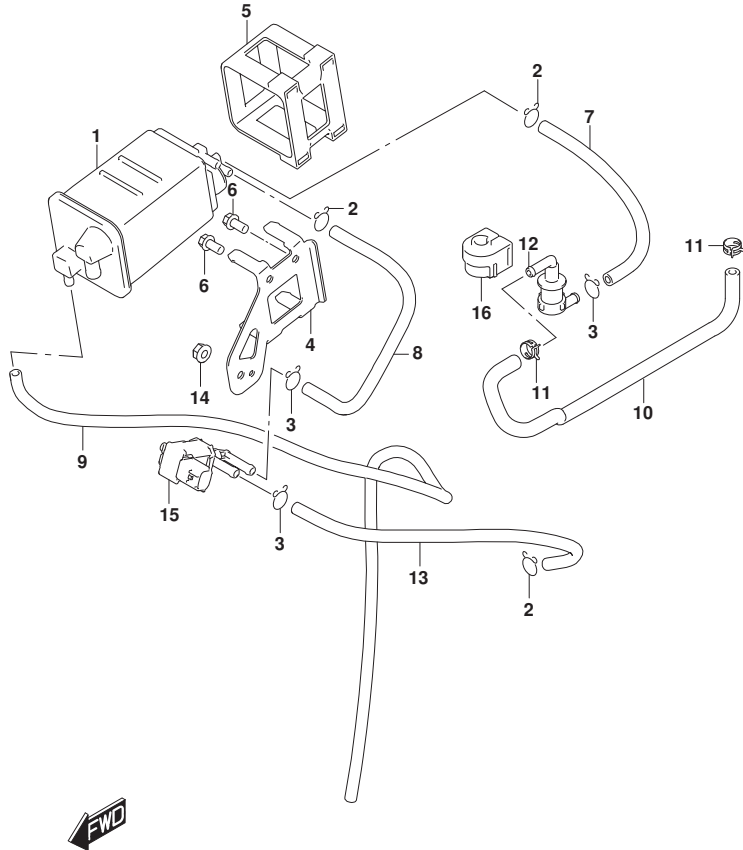


FIG.445B

FIG.445B (1-D-16) FRAME COVER (GSX250FRLM)

REF NO.	PART NO.	DESCRIPTION	Q'TY	REMARKS
1	47112-41K00-000	CUSHION,FRAME COVER	2	
2	47162-30H00-000	CUSHION (8X26X7)	2	
3-1	47311-41K00-YKV	COVER,FRAME RR UPR,R (BLACK)	1	BODY COLOR:YKV
3-2	47311-41K00-YUA	COVER,FRAME RR UPR,R (BLUE)	1	BODY COLOR:YUA
4	47312-37H10-000	CUSHION (10X24X13)	2	
5	47312-41K00-000	COVER,FRAME RR LWR,R	1	
6	47315-41K00-000	CUSHION (8-14X26-32X7)	4	
7-1	47321-41K00-YKV	COVER,FRAME RR UPR,L (BLACK)	1	BODY COLOR:YKV
7-2	47321-41K00-YUA	COVER,FRAME RR UPR,L (BLUE)	1	BODY COLOR:YUA
8	47322-41K00-000	COVER,FRAME RR LWR,L	1	
9	47411-41K00-000	COVER,FRAME CTR	1	
10	09139-05073-000	BOLT (5X16)	2	
11	09139-06139-000	SCREW (6X16)	2	
12	09139-06219-000	BOLT (6X13)	2	
13	09148-05060-000	NUT (M5)	4	
14	09180-06283-000	SPACER (6.5X10X7)	2	
15	03541-0512A-000	SCREW	2	
16	03541-0516A-000	SCREW	2	
17	09409-06L07-000	CLIP	2	
18-1	68133-41K00-CKL	TAPE,FRAME COVER RR UPR,R (GOL D,GRAY,BLACK)	1	BODY COLOR:YKV
18-2	68133-41K00-CKF	TAPE,FRAME COVER RR UPR,R (GRA Y,GOLD,BLUE)	1	BODY COLOR:YUA
19-1	68143-41K00-CKL	TAPE,FRAME COVER RR UPR,L (GOL D,GRAY,BLACK)	1	BODY COLOR:YKV
19-2	68143-41K00-CKF	TAPE,FRAME COVER RR UPR,L (GRA Y,GOLD,BLUE)	1	BODY COLOR:YUA

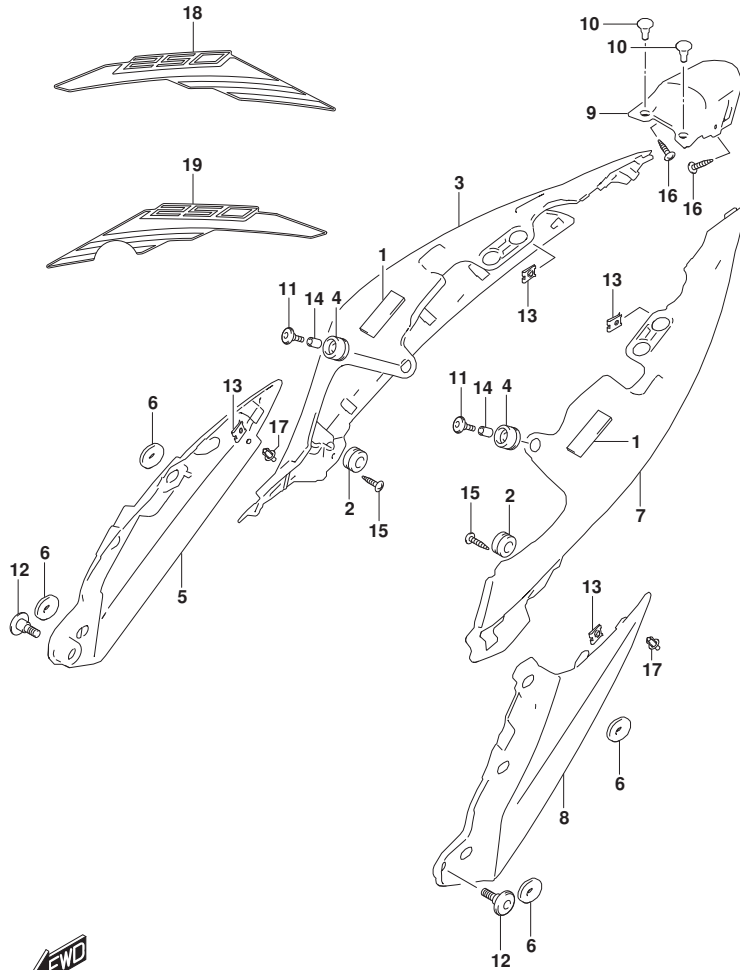


FIG.445D

FIG.445D (1-E-2) FRAME COVER (GSX250FRLN)

REF NO.	PART NO.	DESCRIPTION	Q'TY	REMARKS
1	47112-41K00-000	CUSHION,FRAME COVER	2	
2	47162-30H00-000	CUSHION (8X26X7)	2	
3	47311-41K00-YD8	COVER,FRAME RR UPR,R (SILVER)	1	
4	47312-37H10-000	CUSHION (10X24X13)	2	
5	47312-41K00-000	COVER,FRAME RR LWR,R	1	
6	47315-41K00-000	CUSHION (8-14X26-32X7)	4	
7	47321-41K00-YD8	COVER,FRAME RR UPR,L (SILVER)	1	
8	47322-41K00-000	COVER,FRAME RR LWR,L	1	
9	47411-41K00-000	COVER,FRAME CTR	1	
10	09139-05073-000	BOLT (5X16)	2	
11	09139-06139-000	SCREW (6X16)	2	
12	09139-06219-000	BOLT (6X13)	2	
13	09148-05060-000	NUT (M5)	4	
14	09180-06283-000	SPACER (6.5X10X7)	2	
15	03541-0512A-000	SCREW	2	
16	03541-0516A-000	SCREW	2	
17	09409-06L07-000	CLIP	2	
18	68133-42K20-CNT	EMBLEM,"250",R (ORANGE,SILVER)	1	
19	68143-42K20-CNT	EMBLEM,"250",L (ORANGE,SILVER)	1	

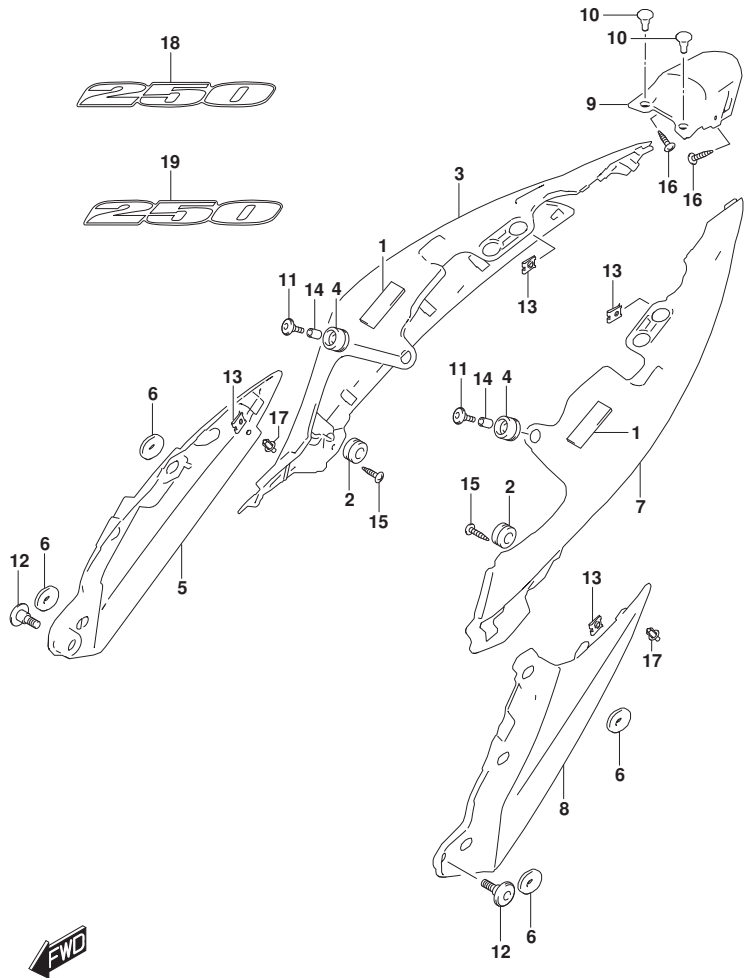


FIG.446A

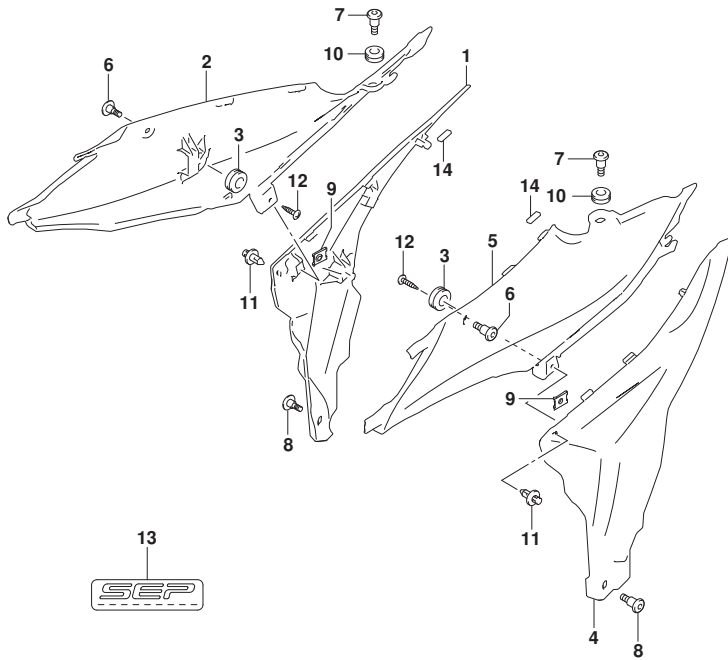


FIG.446A (1-E-3) FRAME LOWER COVER (GSX250FRLM)

REF NO.	PART NO.	DESCRIPTION	Q'TY	REMARKS
1	47111-41K01-YKV	COVER,FRAME,R (BLACK)	1	
2	47121-41K00-YKV	COVER,FRAME FRONT,R (BLACK)	1	
3	47312-37H10-000	CUSHION (10X24X13)	2	
4	47211-41K00-YKV	COVER,FRAME,L (BLACK)	1	
5	47221-41K00-YKV	COVER,FRAME FRONT,L (BLACK)	1	
6	09139-05096-000	BOLT (5X13)	2	
7	47123-41K00-000	SCREW (6X20)	2	
8	09139-06230-000	SCREW (6X13)	2	
9	09148-05060-000	NUT (M5)	2	
10	09320-09016-000	CUSHION (9X18X9.5)	2	
11	09409-06L07-000	CLIP	2	
12	03541-0512A-000	SCREW	2	
13	68136-39J10-000	EMBLEM,FRAME COVER	1	
14	47113-41K00-000	CUSHION,FRAME COVER FR NO.1	2	

FIG.446B

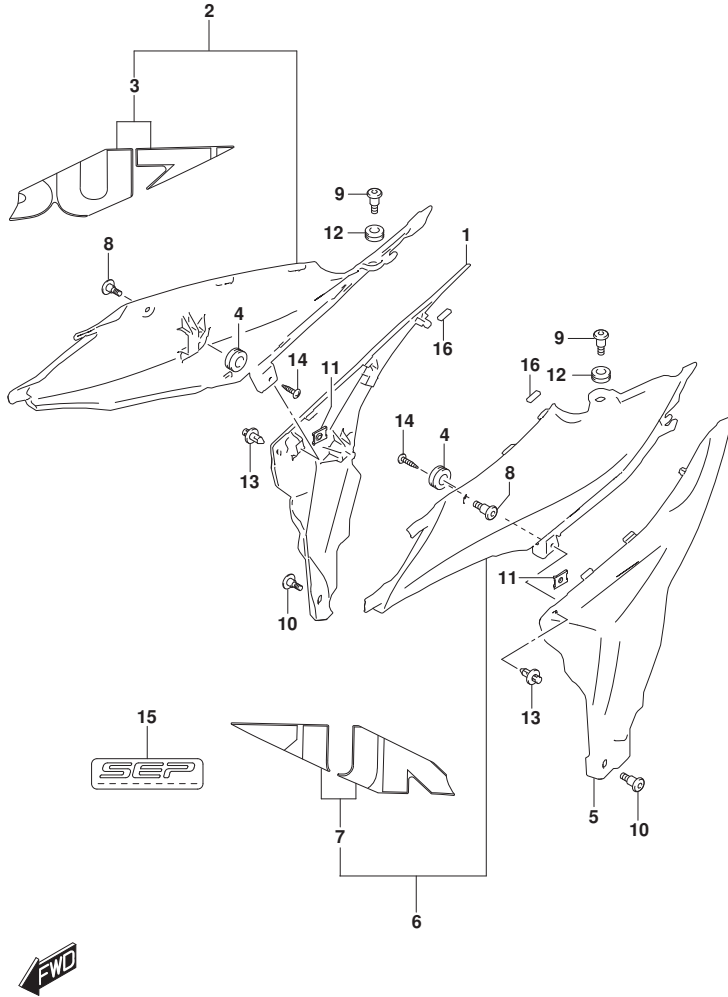


FIG.446B (1-E-4) FRAME LOWER COVER (GSX250FRLN)

REF NO.	PART NO.	DESCRIPTION	Q'TY	REMARKS
1	47111-41K01-YVB	COVER,FRAME,R (BLACK)	1	
2	47120-41K20-YD8	COVER,FRAME FRONT,R (SILVER)	1	
3	68131-42K20-BPD	.TAPE,FRAME COVER FRONT,R (SILVER,BLUE)	1	
4	47312-37H10-000	CUSHION (10X24X13)	2	
5	47211-41K00-YVB	COVER,FRAME,L (BLACK)	1	
6	47220-41K20-YD8	COVER,FRAME FRONT,L (SILVER)	1	
7	68141-42K20-BPD	.TAPE,FRAME COVER FRONT,L (SILVER,BLUE)	1	
8	09139-05096-000	BOLT (5X13)	2	
9	47123-41K00-000	SCREW (6X20)	2	
10	09139-06230-000	SCREW (6X13)	2	
11	09148-05060-000	NUT (M5)	2	
12	09320-09016-000	CUSHION (9X18X9.5)	2	
13	09409-06L07-000	CLIP	2	
14	03541-0512A-000	SCREW	2	
15	68136-39J10-000	EMBLEM,FRAME COVER	1	
16	47113-41K00-000	CUSHION,FRAME COVER FR NO.1	2	

FIG.460B

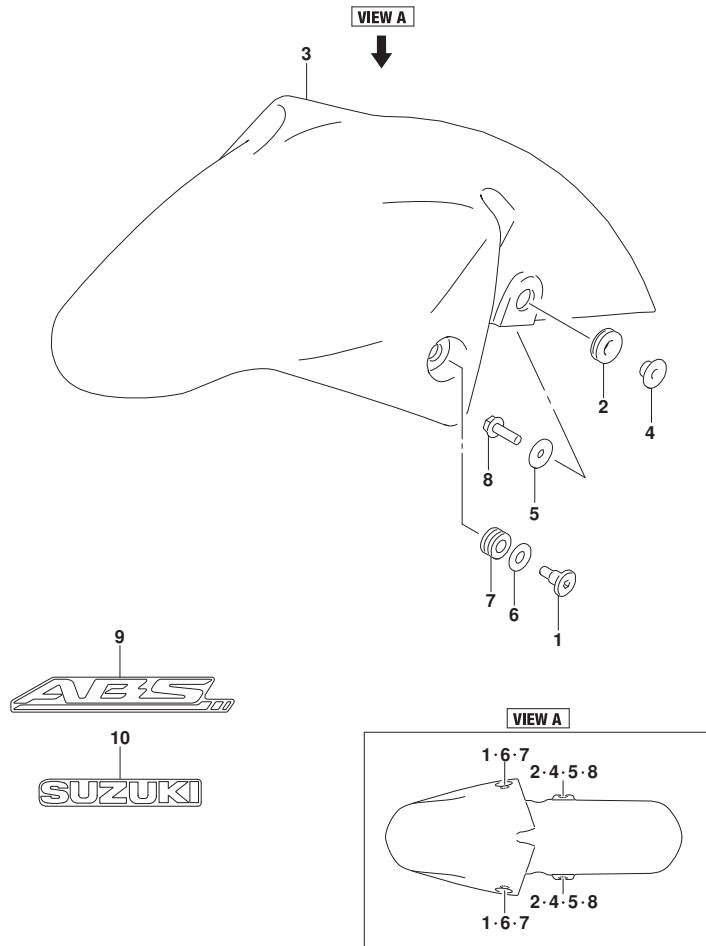


FIG.460B (1-E-5) FRONT FENDER (GSX250FRLM)

REF NO.	PART NO.	DESCRIPTION	Q'TY	REMARKS
1	47123-41K00-000	SCREW (6X20)	2	
2	47161-23J00-000	CUSHION (10X22X7)	2	
3-1	53111-41K00-YKV	FENDER,FRONT (BLACK)	1	BODY COLOR:YKV
3-2	53111-41K00-YUA	FENDER,FRONT (BLUE)	1	BODY COLOR:YUA
4	53275-34J00-000	SPACER,FR FENDER	2	
5	09160-06060-000	WASHER (6.5X20X1.2)	2	
6	09160-09015-000	WASHER (9X19X1.0)	2	
7	09320-09016-000	CUSHION (9X18X9.5)	2	
8	01550-0620A-000	BOLT (6X20)	2	
9	68155-34J00-J7A	EMBLEM,ABS (GRAY,BLACK)	1	
10-1	68171-34J10-BV2	EMBLEM,SUZUKI (SILVER,BLACK)	1	BODY COLOR:YKV
10-2	68171-34J10-CKG	EMBLEM,"SUZUKI" (SILVER,BLUE)	1	BODY COLOR:YUA

FIG.460D

FIG.460D (1-E-6) FRONT FENDER (GSX250FRLN)

REF NO.	PART NO.	DESCRIPTION	QTY	REMARKS
1	47123-41K00-000	SCREW (6X20)	2	
2	47161-23J00-000	CUSHION (10X22X7)	2	
3	53111-41K00-YVB	FENDER,FRONT (BLACK)	1	
4	53275-34J00-000	SPACER,FR FENDER	2	
5	09160-06060-000	WASHER (6.5X20X1.2)	2	
6	09160-09015-000	WASHER (9X19X1.0)	2	
7	09320-09016-000	CUSHION (9X18X9.5)	2	
8	01550-0620A-000	BOLT (6X20)	2	
9	68155-34J00-J7A	EMBLEM,ABS (GRAY,BLACK)	1	
10	68171-34J10-YVWW	EMBLEM,SUZUKI (WHITE)	1	

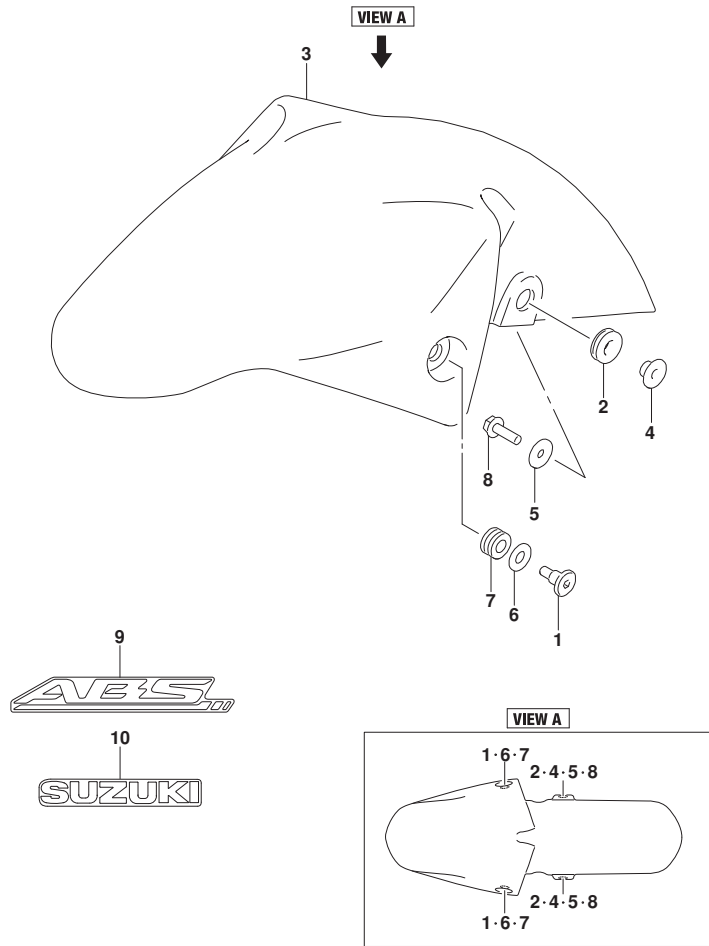


FIG.462A

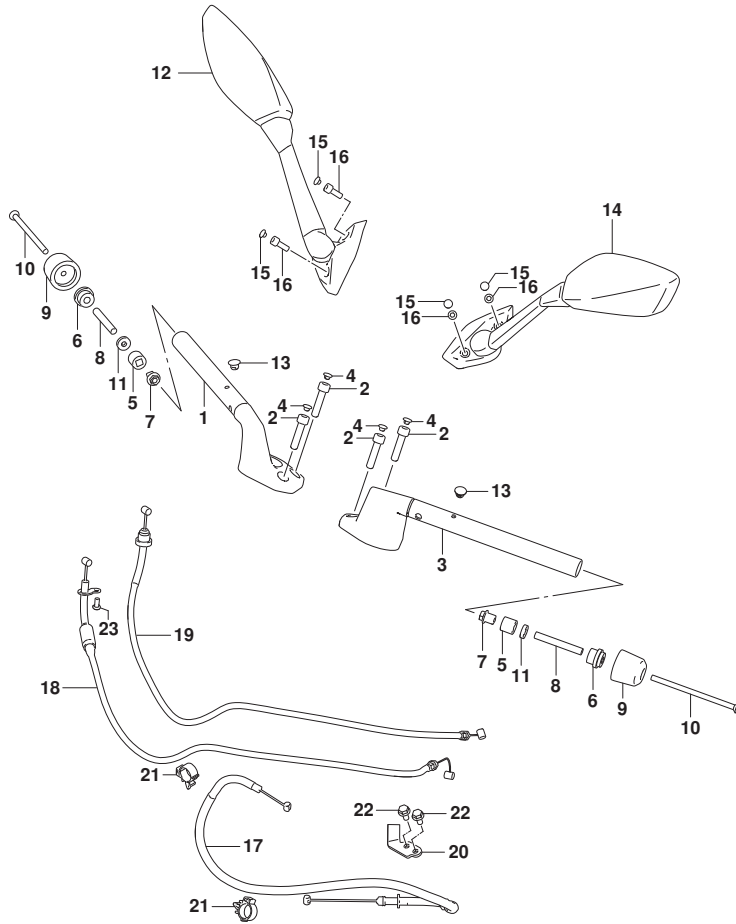


FIG.462A (1-E-7) HANDLEBAR

REF NO.	PART NO.	DESCRIPTION	Q'TY	REMARKS
1	56110-41K00-291	HANDLEBAR,R (BLACK)	1	
2	56123-41K00-000	BOLT,HANDLEBAR	4	
3	56150-41K00-291	HANDLEBAR,L (BLACK)	1	
4	56246-41K00-000	CAP,HANDLEBAR BOLT	4	
5	56272-10G01-000	EXPANDER,HANDLE BALANCER	2	
6	56272-28F10-000	EXPANDER,HDL BALANCER OUTER	2	
7	56273-10G10-000	NUT,HANDLE BALANCER	2	
8	56276-41K00-000	SPACER,EXPANDER	2	
9	56278-28G10-000	BALANCER,HANDLEBAR	2	
10	09127-06018-000	SCREW (6X110)	2	
11	09160-06131-000	WASHER (6.5X16X4)	2	
12	56500-41K11-000	MIRROR ASSY,REAR VIEW,R	1	
13	56524-41K01-000	CAP	2	
14	56600-41K11-000	MIRROR ASSY,REAR VIEW,L	1	
15	09250-05009-000	CAP (OD:10)	4	
16	07130-0616B-000	BOLT	4	
17	58200-41K30-000	CABLE ASSY,CLUTCH	1	
18	58300-41K20-000	CABLE ASSY,THROTTLE NO.1	1	
19	58300-41K30-000	CABLE ASSY,THROTTLE NO.2	1	
20	58634-41K10-000	STOPPER,CLUTCH CABLE	1	
21	09403-18409-000	CLAMP	2	
22	01550-0612A-000	BOLT	2	
23	02112-0510B-000	SCREW	1	

FIG.467A

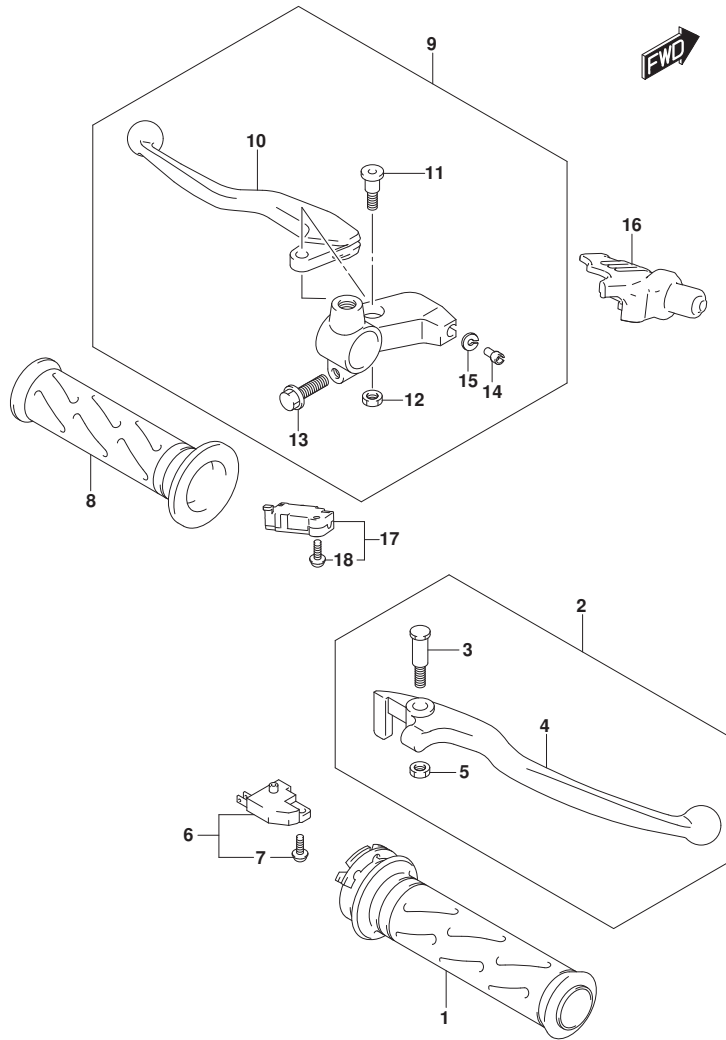


FIG.467A (1-E-8) HANDLE LEVER

REF NO.	PART NO.	DESCRIPTION	Q'TY	REMARKS
1	57110-30H11-000	GRIP,THROTTLE	1	
2	57300-41K00-000	LEVER ASSY,BRAKE	1	
3	57431-30H20-000	.BOLT,BRAKE LEVER PIVOT	1	
4	57421-41K00-000	.LEVER,BRAKE	1	
5	57433-30H10-000	.NUT,BRAKE LEVER PIVOT	1	
6	57460-30H00-000	SWITCH ASSY,FR BRAKE	1	
7	57465-30H00-000	.SCREW	1	
8	57211-22D12-000	GRIP,L	1	
9	57500-41K00-000	LEVER ASSY,CLUTCH	1	
10	57621-41K00-000	.LEVER,CLUTCH	1	
11	57431-41K00-000	.BOLT,CLUTCH LEVER PIVOT	1	
12	08319-2106A-000	.NUT	1	
13	01547-0620B-000	.BOLT	1	
14	57441-41K00-000	.ADJUSTER,CLUTCH CABLE	1	
15	57442-41K00-000	.NUT,LOCK	1	
16	57661-41K00-000	COVER,CLUTCH LEVER	1	
17	37560-41K00-000	SWITCH ASSY,CLUTCH	1	
18	37562-41K00-000	.SCREW,CLUTCH SWITCH	1	

FIG.474A

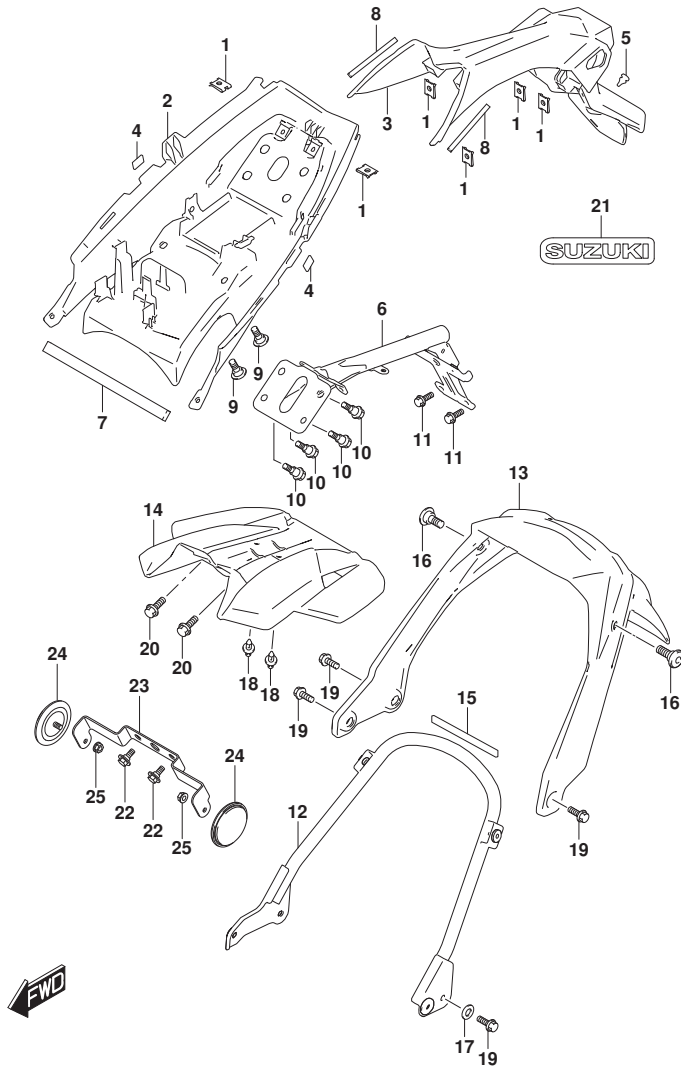


FIG.474A (1-E-9) REAR FENDER

REF NO.	PART NO.	DESCRIPTION	Q'TY	REMARKS
1	35157-34J00-000	NUT (M6)	6	
2	63111-41K00-000	FENDER,REAR FRONT	1	
3	63112-41K00-000	FENDER,REAR REAR	1	
4	63114-41K00-000	CUSHION,FENDER RR FR	2	
5	63118-41K00-000	PLUG,REAR FENDER	1	
6	63130-41K00-000	BRACKET,REAR FENDER	1	
7	63191-34J00-000	CUSHION,REAR FENDER	1	
8	63191-41K00-000	CUSHION,REAR FENDER	2	
9	94413-30H10-000	BOLT (6X16.5)	2	
10	09111-06072-000	BOLT (6X17.8)	4	
11	01550-0616B-000	BOLT	2	
12	63110-41K00-000	BRACKET,RR FENDER LWR	1	
13	63411-41K00-000	FENDER,REAR LWR CTR	1	
14	63412-41K00-000	EXTENSION,REAR FENDER	1	
15	63413-41K00-000	CUSHION,RR FENDER LWR	1	
16	09139-06230-000	SCREW (6X13)	2	
17	09160-08156-000	WASHER (8.5X20X1.6)	1	
18-1	09409-06L07-000	CLIP	2	HARYANA
18-2	09409-06346-000	CLIP	2	ARAYMOND
19	01550-0820B-000	BOLT	4	
20	09111-06102-000	BOLT (6X14.8)	2	
21	68171-41K00-000	EMBLEM,SUZUKI	1	
22	09111-06256-000	BOLT (6X16)	2	
23	47461-41K00-000	BRACKET,REAR SIDE RR	1	
24	35950-20L00-000	REFLEX REFLECTOR ASSY,SIDE	2	
25	08316-1006A-000	NUT (6X12)	2	

FIG.481A

FIG.481A (1-E-10) COWLING BODY (GSX250FRLM)

REF NO.	PART NO.	DESCRIPTION	Q'TY	REMARKS
1	47349-34J01-000	NUT (M5)	2	
2	94421-41K00-YKV	PANEL,METER (BLACK)	1	
3	09409-06L07-000	CLIP	2	
4	94621-34J10-000	BOLT,BRACE COWLING	2	
5	09139-05096-000	BOLT (5X13)	2	
6	09409-08L09-000	CLIP	2	
7	47161-44J00-000	CUSHION (6X18X6)	1	
8-1	94411-41K00-YKV	COWLING,BODY (BLACK)	1	BODY COLOR:YKV
8-2	94411-41K00-YUA	COWLING,BODY (BLUE)	1	BODY COLOR:YUA
9	94412-34J00-000	CUSHION,MIRROR BRKT	2	
10	94412-41K00-000	COWLING,BODY LOWER	1	
11	94422-41K00-000	PANEL,SIDE,R	1	
12	94423-41K00-000	PANEL,SIDE,L	1	
13	94510-41K00-000	BRACE,COWLING	1	
14	94611-41K00-000	WINDSCREEN	1	
15	94618-34J01-000	NUT,WINDSCREEN	2	
16	94621-41K00-000	SCREW,WINDSCREEN	2	
17	09139-05091-000	SCREW (5X13)	2	
18	09148-05060-000	NUT (M5)	2	
19	09409-06L07-000	CLIP	4	
20	03541-0516A-000	SCREW	6	
21	63191-34J00-000	CUSHION,REAR FENDER	2	
22	68252-34J00-000	TAPE,WHEEL NO.2	5	
23	94424-41K00-000	CUSHION,METER PANEL	2	

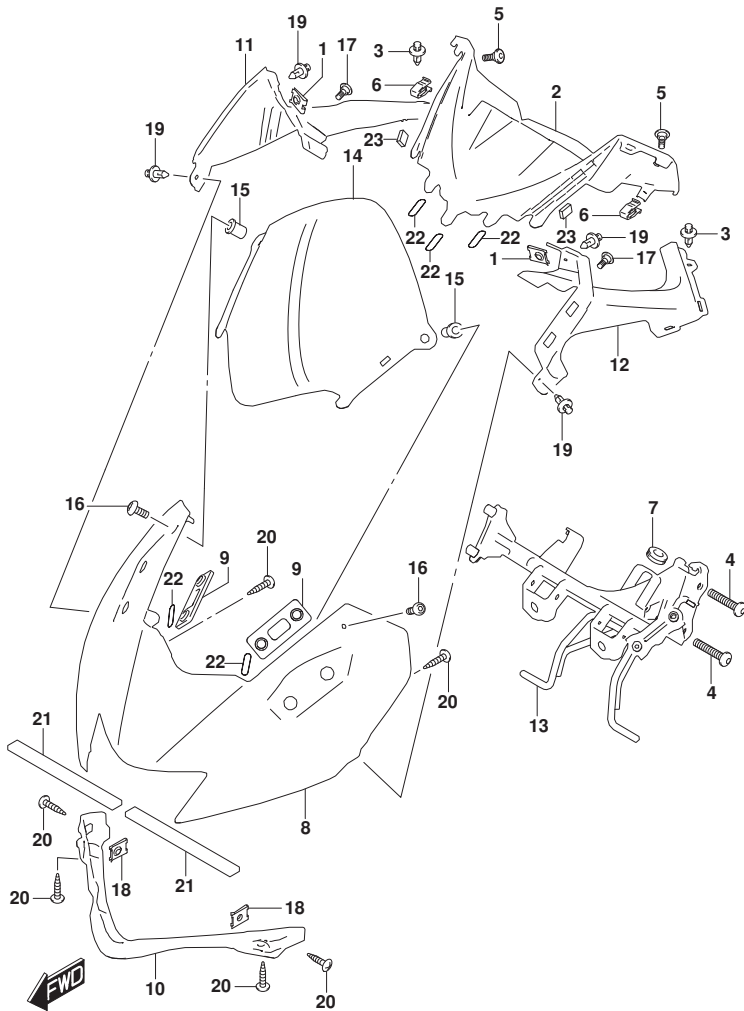


FIG.481C

FIG.481C (1-E-11) COWLING BODY (GSX250FRLN)

REF NO.	PART NO.	DESCRIPTION	Q'TY	REMARKS
1	47349-34J01-000	NUT (M5)	2	
2	94421-41K00-YKV	PANEL,METER (BLACK)	1	
3	09409-06L07-000	CLIP	2	
4	94621-34J10-000	BOLT,BRACE COWLING	2	
5	09139-05096-000	BOLT (5X13)	2	
6	09409-08L09-000	CLIP	2	
7	47161-44J00-000	CUSHION (6X18X6)	1	
8	94411-41K00-YVB	COWLING,BODY (BLACK)	1	
9	68281-42K70-CNV	TAPE,BODY COWLING,R (BLUE,WHIT E,SILVER,BLACK)	1	
10	68291-42K70-CNU	TAPE,BODY COWLING,L (BLUE,WHIT E,SILVER,GRAY,BLACK)	1	
11	94412-34J00-000	CUSHION,MIRROR BRKT	2	
12	94412-41K00-000	COWLING,BODY LOWER	1	
13	94422-41K00-000	PANEL,SIDE,R	1	
14	94423-41K00-000	PANEL,SIDE,L	1	
15	94510-41K00-000	BRACE,COWLING	1	
16	94611-41K00-000	WINDSCREEN	1	
17	94618-34J01-000	NUT,WINDSCREEN	2	
18	94621-41K00-000	SCREW,WINDSCREEN	2	
19	09139-05091-000	SCREW (5X13)	2	
20	09148-05060-000	NUT (M5)	2	
21	09409-06L07-000	CLIP	4	
22	03541-0516A-000	SCREW	6	
23	63191-34J00-000	CUSHION,REAR FENDER	2	
24	68252-34J00-000	TAPE,WHEEL NO.2	5	
25	94424-41K00-000	CUSHION,METER PANEL	2	

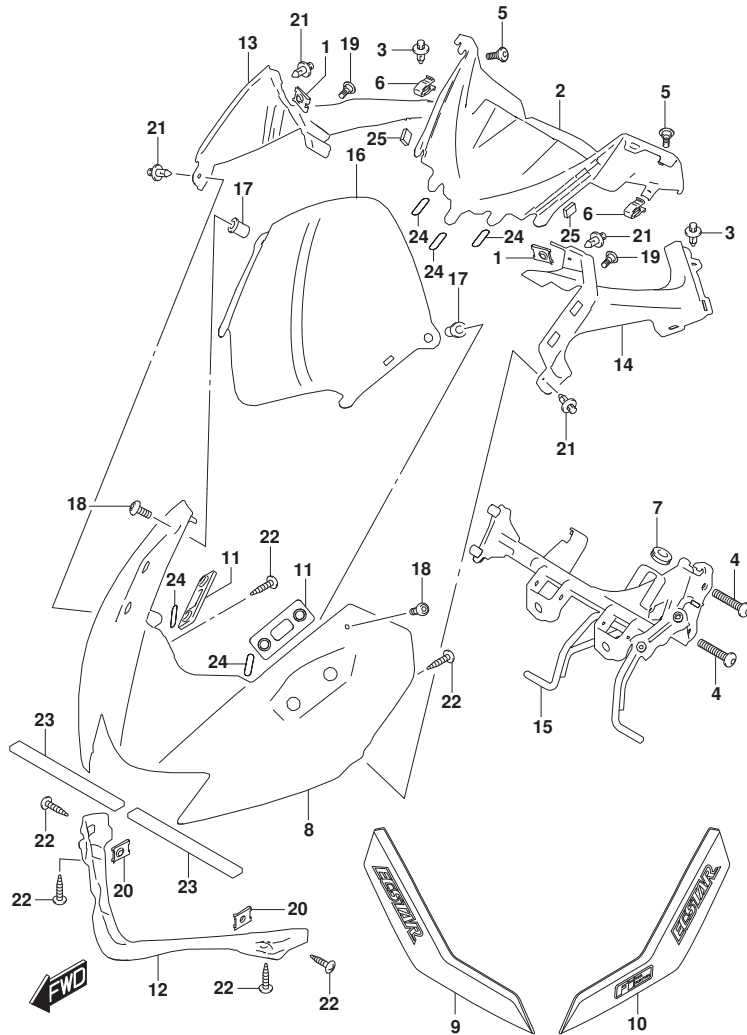


FIG.483A

FIG.483A (1-E-12) UNDER COWLING (GSX250FRLM)

REF NO.	PART NO.	DESCRIPTION	Q'TY	REMARKS
1	47123-41K00-000	SCREW (6X20)	2	
2	94491-41K00-000	COWLING,UNDER CTR	1	
3	94570-41K00-000	BRACKET,UNDER COWL,R	1	
4	94580-41K00-000	BRACKET,UNDER COWL,L	1	
5	09111-06088-000	BOLT (6X13.5)	1	
6	09409-06L07-000	CLIP	4	
7	01550-0616A-000	BOLT	2	
8	03541-0516A-000	SCREW	1	
9-1	94471-41K00-YKV	COWLING,UNDER,R (BLACK)	1	BODY COLOR:YKV
9-2	94471-41K00-YUA	COWLING,UNDER,R (BLUE)	1	BODY COLOR:YUA
10	94472-41K00-000	SHIELD,UNDER COWL HEAT	1	
11-1	94481-41K00-YKV	COWLING,UNDER,L (BLACK)	1	BODY COLOR:YKV
11-2	94481-41K00-YUA	COWLING,UNDER,L (BLUE)	1	BODY COLOR:YUA
12	09148-05060-000	NUT (M5)	1	
13	09320-09016-000	CUSHION (9X18X9.5)	2	
14-1	68181-41K00-AHW	EMBLEM,SUZUKI (GRAY,BLACK)	2	BODY COLOR:YKV
14-2	68181-41K00-CAU	EMBLEM,"SUZUKI" (BLUE,GRAY)	2	BODY COLOR:YUA

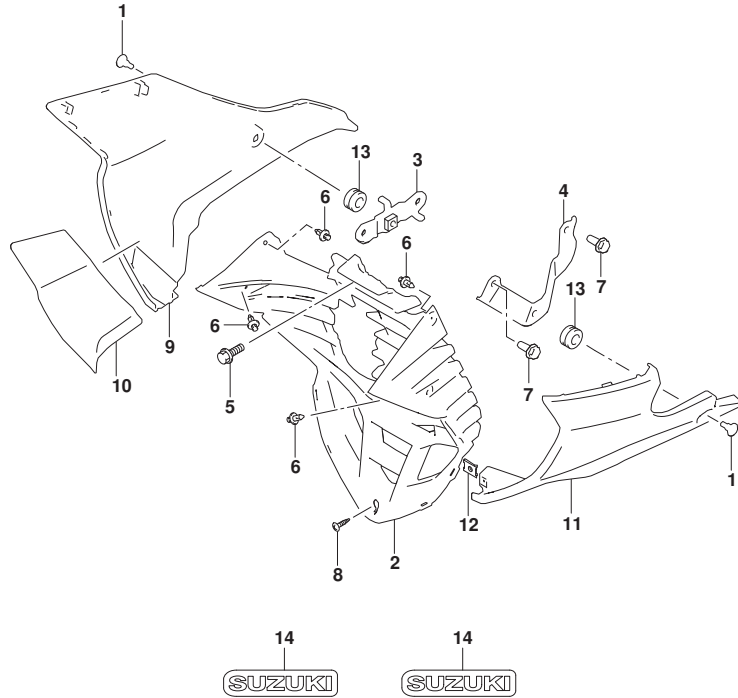


FIG.483B

FIG.483B (1-E-13) UNDER COWLING (GSX250FRLN)

REF NO.	PART NO.	DESCRIPTION	Q'TY	REMARKS
1	47123-41K00-000	SCREW (6X20)	2	
2	94491-41K00-000	COWLING,UNDER CTR	1	
3	94570-41K00-000	BRACKET,UNDER COWL,R	1	
4	94580-41K00-000	BRACKET,UNDER COWL,L	1	
5	09111-06088-000	BOLT (6X13.5)	1	
6	09409-06L07-000	CLIP	4	
7	01550-0616A-000	BOLT	2	
8	03541-0516A-000	SCREW	1	
9	94471-41K00-YVB	COWLING,UNDER,R (BLACK)	1	
10	94472-41K00-000	SHIELD,UNDER COWL HEAT	1	
11	94481-41K00-YVB	COWLING,UNDER,L (BLACK)	1	
12	09148-05060-000	NUT (M5)	1	
13	09320-09016-000	CUSHION (9X18X9.5)	2	
14	68181-41K00-AGT	EMBLEM,"SUZUKI" (BLACK,WHITE)	2	

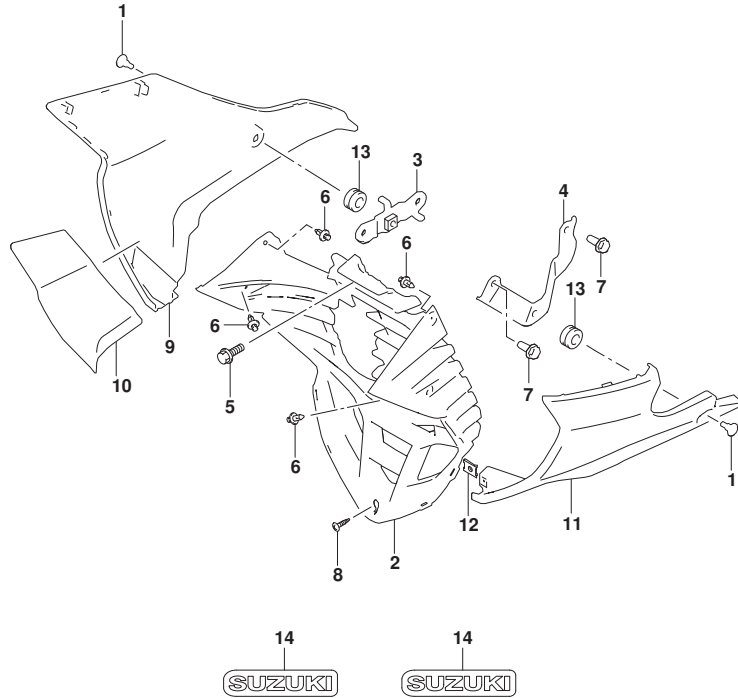


FIG.485A

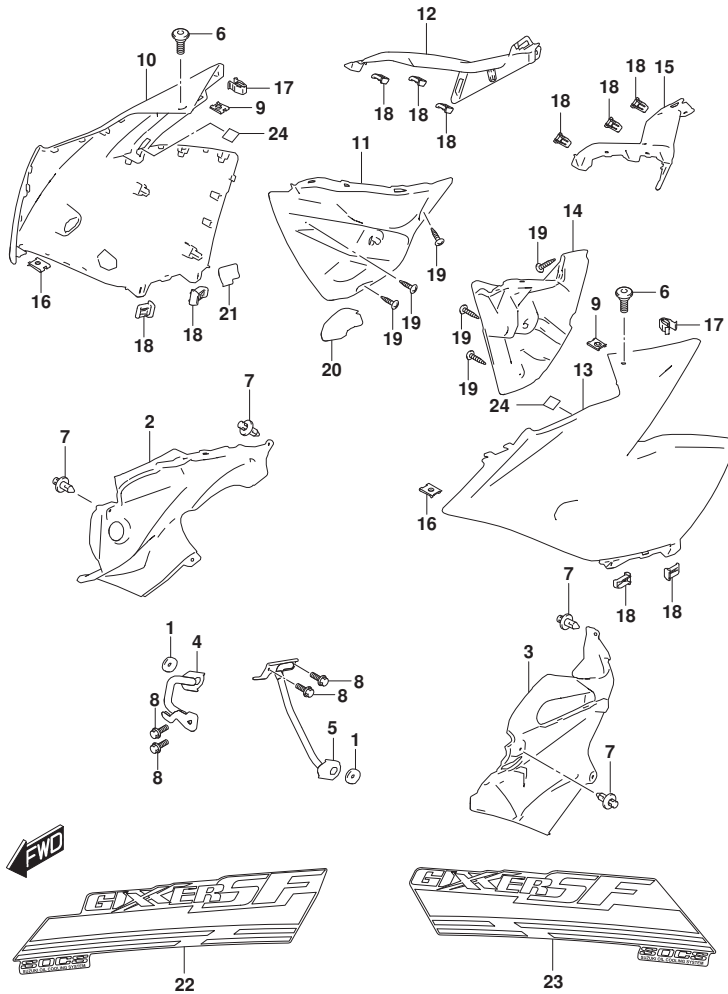


FIG.485A (1-E-14) SIDE COWLING (GSX250FRLM)

REF NO.	PART NO.	DESCRIPTION	Q'TY	REMARKS
1	47315-41K00-000	CUSHION (8-14X26-32X7)	2	
2	94461-41K00-000	COWLING,SIDE INNER,R	1	
3	94462-41K00-000	COWLING,SIDE INNER,L	1	
4	94530-41K00-000	BRACKET,SIDE COWL,R	1	
5	94540-41K00-000	BRACKET,SIDE COWL,L	1	
6	09139-05096-000	BOLT (5X13)	2	
7	09409-06L07-000	CLIP	4	
8	01550-0616A-000	BOLT	4	
9	47349-34J01-000	NUT (M5)	2	
10-1	94431-41K02-YKV	COWLING,SIDE,R (BLACK)	1	BODY COLOR:YKV
10-2	94431-41K02-YUA	COWLING,SIDE,R (BLUE)	1	BODY COLOR:YUA
11	94432-41K00-000	COVER,SIDE COWL INNER,R	1	
12	94433-41K00-000	COVER,SIDE COWL,R	1	
13-1	94441-41K02-YKV	COWLING,SIDE,L (BLACK)	1	BODY COLOR:YKV
13-2	94441-41K02-YUA	COWLING,SIDE,L (BLUE)	1	BODY COLOR:YUA
14	94442-41K00-000	COVER,SIDE COWL INNER,L	1	
15	94443-41K00-000	COVER,SIDE COWL,L	1	
16	09148-05060-000	NUT (M5)	2	
17-1	09409-08L09-000	CLIP	2	HARYANA
17-2	09409-08014-000	CLIP	2	ARAYMOND
18	09409-08009-000	CLIP	10	
19	03541-0516A-000	SCREW	6	
20	94434-41K00-000	SHIELD,SIDE COVER HEAT	1	
21	94435-41K00-000	SHIELD,SIDE COWL HEAT	1	
22-1	68183-41K30-CKL	TAPE,COWLING SIDE,R (GOLD,GRAY ,BLACK)	1	BODY COLOR:YKV
22-2	68183-41K30-CKF	TAPE,COWLING SIDE,R (GRAY,GOLD ,BLUE)	1	BODY COLOR:YUA
23-1	68193-41K30-CKL	TAPE,COWLING SIDE,L (GOLD,GRAY ,BLACK)	1	BODY COLOR:YKV
23-2	68193-41K30-CKF	TAPE,COWLING SIDE,L (GRAY,GOLD ,BLUE)	1	BODY COLOR:YUA
24	94642-10GA0-000	CUSHION (15X15X2)	2	

FIG.485B

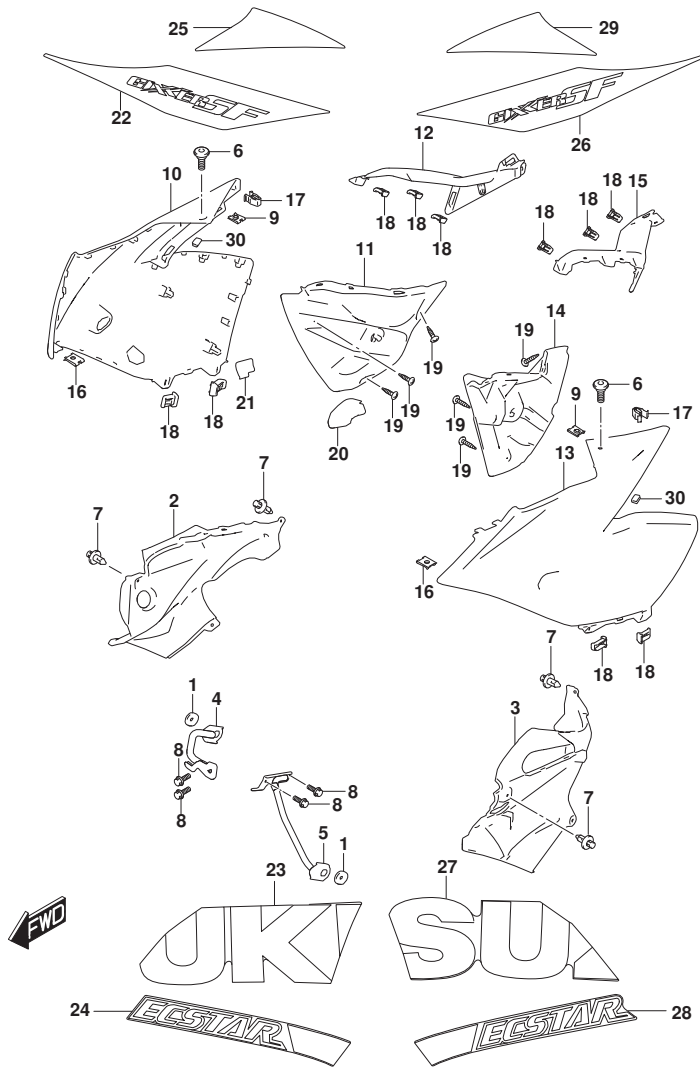


FIG.485B (1-E-15) SIDE COWLING (GSX250FRLN)

REF NO.	PART NO.	DESCRIPTION	Q'TY	REMARKS
1	47315-41K00-000	CUSHION (8-14X26-32X7)	2	
2	94461-41K00-000	COWLING,SIDE INNER,R	1	
3	94462-41K00-000	COWLING,SIDE INNER,L	1	
4	94530-41K00-000	BRACKET,SIDE COWL,R	1	
5	94540-41K00-000	BRACKET,SIDE COWL,L	1	
6	09139-05096-000	BOLT (5X13)	2	
7	09409-06L07-000	CLIP	4	
8	01550-0616A-000	BOLT	4	
9	47349-34J01-000	NUT (M5)	2	
10	94431-41K02-YD8	COWLING,SIDE,R (SILVER)	1	
11	94432-41K00-000	COVER,SIDE COWL INNER,R	1	
12	94433-41K00-000	COVER,SIDE COWL,R	1	
13	94441-41K02-YD8	COWLING,SIDE,L (SILVER)	1	
14	94442-41K00-000	COVER,SIDE COWL INNER,L	1	
15	94443-41K00-000	COVER,SIDE COWL,L	1	
16	09148-05060-000	NUT (M5)	2	
17-1	09409-08L09-000	CLIP	2	HARYANA
17-2	09409-08014-000	CLIP	2	ARAYMOND
18	09409-08009-000	CLIP	10	
19	03541-0516A-000	SCREW	6	
20	94434-41K00-000	SHIELD,SIDE COVER HEAT	1	
21	94435-41K00-000	SHIELD,SIDE COWL HEAT	1	
22	68282-42K30-B6F	TAPE,GIXXERSF,R (SILVER,GRAY,O RANGE,BLUE)	1	
23	68283-42K30-BPD	TAPE,SIDE COWLING NO.1,R (SILVER,BLUE)	1	
24	68284-42K30-CNW	TAPE,SIDE COWLING NO.2,R (BLUE ,WHITE,SILVER)	1	
25	68285-42K00-YSF	TAPE,SIDE COWLING NO.3,R (BLUE)	1	
26	68292-42K30-B6F	TAPE,GIXXERSF,L (SILVER,GRAY,O RANGE,BLUE)	1	
27	68293-42K30-BPD	TAPE,SIDE COWLING NO.1,L (SILVER,BLUE)	1	
28	68294-42K30-CNW	TAPE,SIDE COWLING NO.2,L (BLUE	1	

FIG.485B

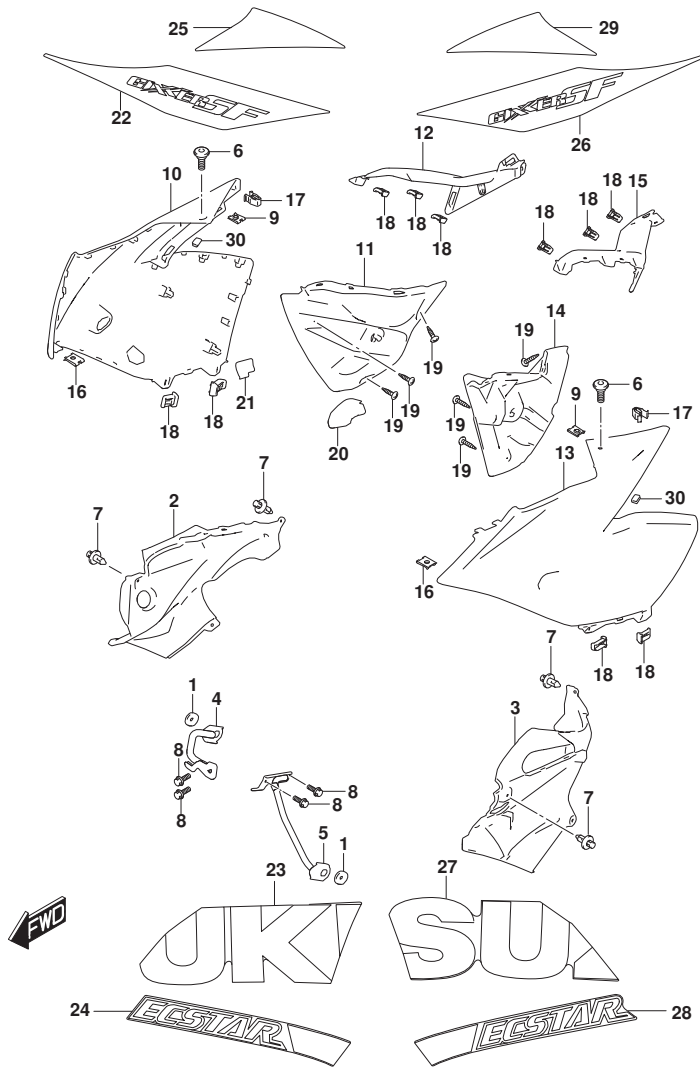
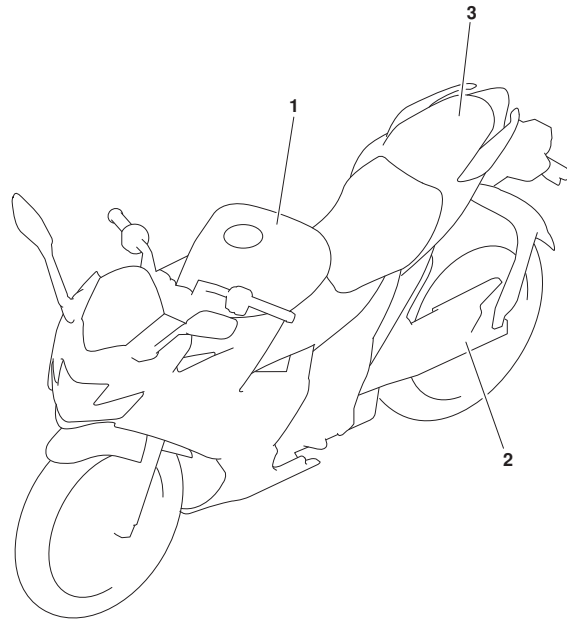


FIG.485B (1-E-16) SIDE COWLING (GSX250FRLN)

REF NO.	PART NO.	DESCRIPTION	Q'TY	REMARKS
29	68295-42K00-YSF	,WHITE,SILVER) TAPE,SIDE COWLING NO.3,L (BLUE	1	
30	94642-10GA0-000) CUSHION (15X15X2)	2	

FIG.496A



<p>1</p> <div style="border: 1px solid black; padding: 5px;"> <p>⚠ WARNING</p> <p>To reduce the risk of injury:</p> <ul style="list-style-type: none"> •Wear a helmet, eye protection, and protective clothing. •Read owner's manual carefully. <p style="text-align: right; font-size: small;">68312422</p> </div>	<p>2</p> <table border="1" style="width: 100%; text-align: center; font-size: x-small;"> <tr> <td></td> <td></td> <td></td> <td>110/70R17MC 54S</td> </tr> <tr> <td></td> <td>200 (2,00) (59)</td> <td>225 (2,25) (70)</td> <td>MRF : REVZ-FC2</td> </tr> <tr> <td></td> <td></td> <td></td> <td>150/60R17MC 66S</td> </tr> <tr> <td></td> <td>200 (2,00) (62)</td> <td>225 (2,25) (70)</td> <td>MRF : REVZ-C2</td> </tr> </table>				110/70R17MC 54S		200 (2,00) (59)	225 (2,25) (70)	MRF : REVZ-FC2				150/60R17MC 66S		200 (2,00) (62)	225 (2,25) (70)	MRF : REVZ-C2	<p>3</p> <div style="border: 1px solid black; padding: 5px; height: 100px;"> <p style="text-align: center; font-size: x-small;">OWNER'S MANUAL</p> </div>
			110/70R17MC 54S															
	200 (2,00) (59)	225 (2,25) (70)	MRF : REVZ-FC2															
			150/60R17MC 66S															
	200 (2,00) (62)	225 (2,25) (70)	MRF : REVZ-C2															

FIG.496A (1-F-2) LABEL

REF NO.	PART NO.	DESCRIPTION	Q'TY	REMARKS
1	68319-39J00-000	LABEL,GENERAL WARNING	1	
2	68332-41K00-000	LABEL,TIRE INFORMATION	1	
3	99011-41K55-08A	MANUAL,OWNER'S	1	

FIG.505A

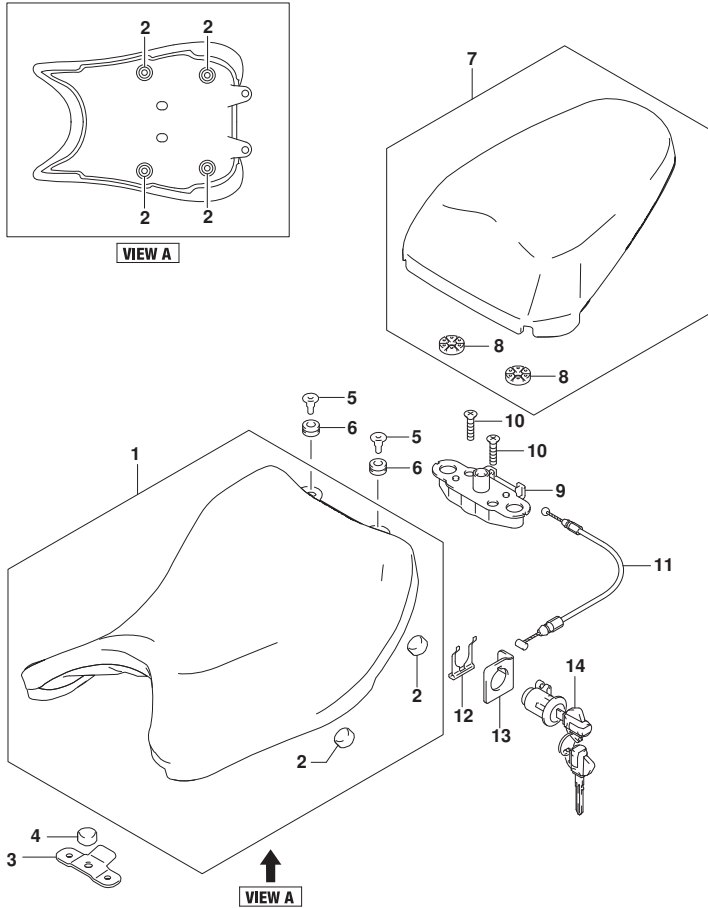


FIG.505A (1-F-3) SEAT

REF NO.	PART NO.	DESCRIPTION	Q'TY	REMARKS
1	45100-41K00-QQ4	SEAT ASSY (BLACK)	1	
2	45148-27K00-000	.CUSHION,SEAT MOUNT	4	
3	45316-41K00-000	BRACKET,SEAT FRONT	1	
4	45148-27K00-000	CUSHION,SEAT MOUNT	1	
5	45112-41K00-000	BOLT	2	
6	09320-09016-000	CUSHION (9X18X9.5)	2	
7	45300-41K00-QQ4	SEAT ASSY,PILLION (BLACK)	1	
8	45213-28G20-000	.CUSHION,SEAT LOCK STRIKER	2	
9	45220-28G21-000	BRACKET,SEAT SUPPORT	1	
10	02122-0630A-000	SCREW	2	
11	45280-41K00-000	CABLE,SEAT LOCK	1	
12	45288-20G20-000	GUIDE,SEAT LOCK CABLE	1	
13	45289-11F00-000	PLATE,SEAT LOCK ASSY	1	
14	95700-09870-000	LOCK SET,SEAT	1	

FIG.521A

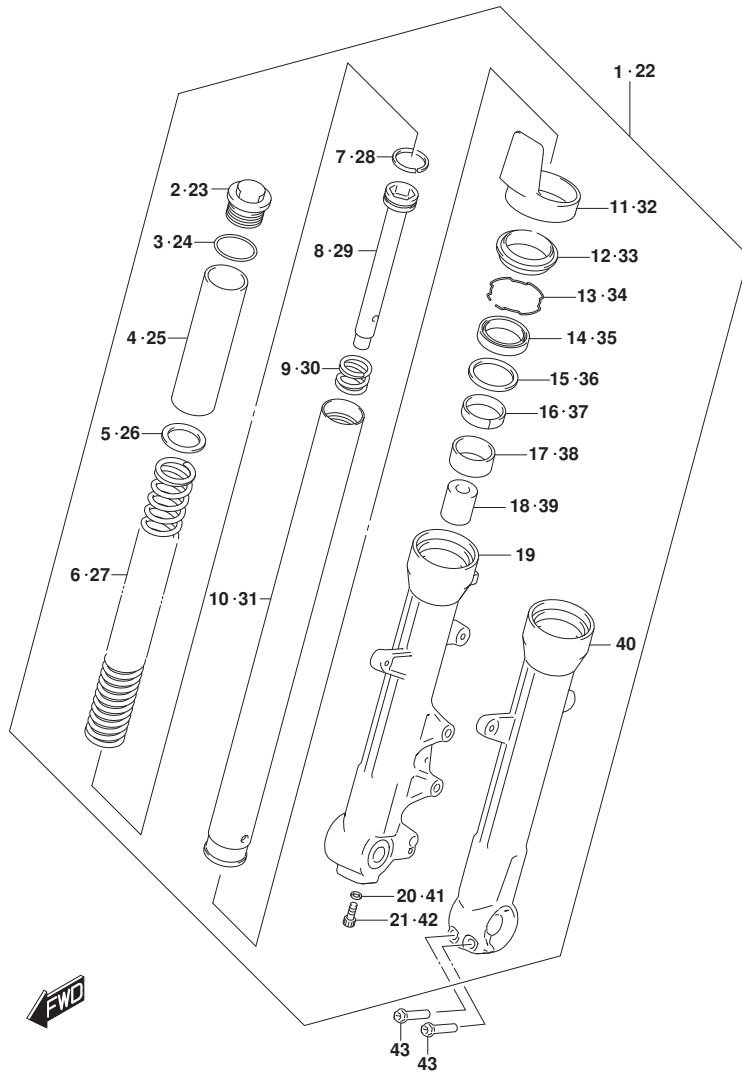


FIG.521A (1-F-4) FRONT FORK DAMPER

REF NO.	PART NO.	DESCRIPTION	Q'TY	REMARKS
1	51103-41K10-291	DAMPER ASSY,FR FORK,R (BLACK)	1	
2	51113-27K00-000	.BOLT	1	
3	51181-34J00-000	.O-RING	1	
4	51176-41K10-000	.SPACER,SPRING UPPER	1	
5	51172-34J00-000	.WASHER	1	
6	51171-41K10-000	.SPRING	1	
7	51196-34J00-000	.RING,PISTON	1	
8	51146-41K10-000	.CYLINDER	1	
9	51177-34J00-000	.SPRING,REBOUND	1	
10	51110-27K00-000	.TUBE,INNER	1	
11	51201-41K00-000	.COVER,PROTECTION	1	
12	51173-34J00-000	.SEAL,DUST	1	
13	51156-34J00-000	.RING,SNAP	1	
14	51153-34J00-000	.SEAL,OIL	1	
15	51158-34J00-000	.WASHER	1	
16	51167-34J00-000	.METAL,SLIDE	1	
17	51121-34J00-000	.BUSH,SLIDE	1	
18	51195-34J00-000	.PIECE,OIL LOCK	1	
19	51131-41K00-291	.TUBE,OUTER,R (BLACK)	1	
20	51148-34J00-000	.GASKET LOWER	1	
21	51147-41K00-000	.BOLT	1	
22	51104-41K10-291	DAMPER ASSY,FR FORK,L (BLACK)	1	
23	51113-27K00-000	.BOLT	1	
24	51181-34J00-000	.O-RING	1	
25	51176-41K10-000	.SPACER,SPRING UPPER	1	
26	51172-34J00-000	.WASHER	1	
27	51171-41K10-000	.SPRING	1	
28	51196-34J00-000	.RING,PISTON	1	
29	51146-41K10-000	.CYLINDER	1	
30	51177-34J00-000	.SPRING,REBOUND	1	
31	51110-27K00-000	.TUBE,INNER	1	
32	51201-41K00-000	.COVER,PROTECTION	1	
33	51173-34J00-000	.SEAL,DUST	1	
34	51156-34J00-000	.RING,SNAP	1	
35	51153-34J00-000	.SEAL,OIL	1	

FIG.521A

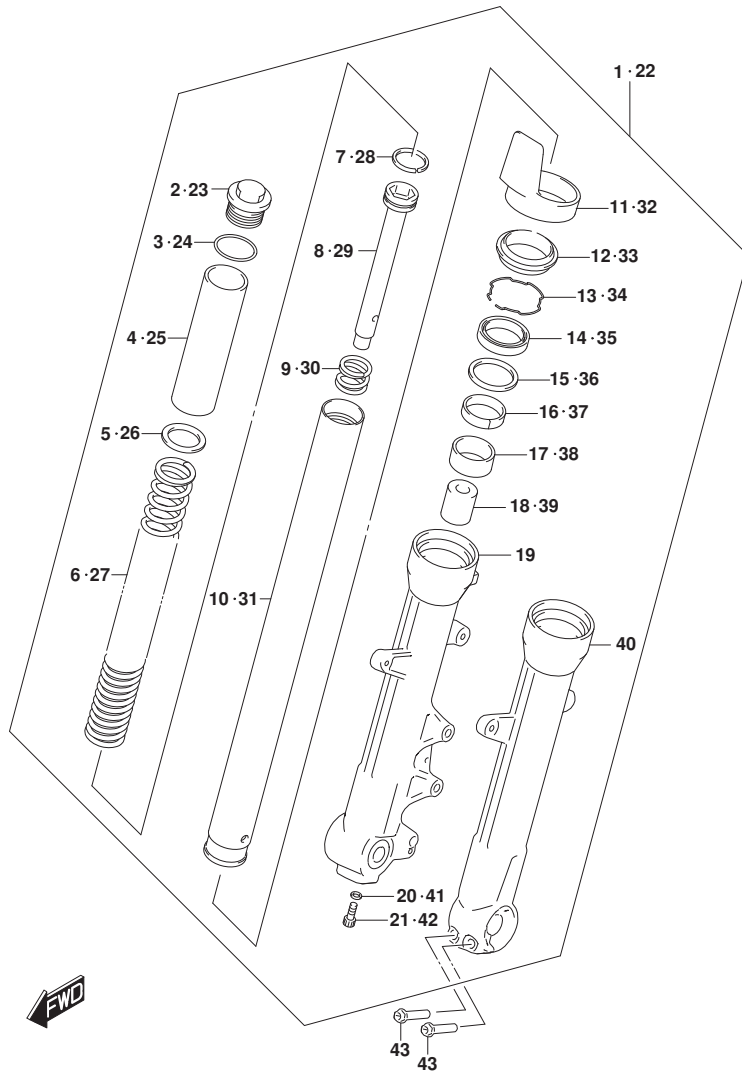


FIG.521A (1-F-5) FRONT FORK DAMPER

REF NO.	PART NO.	DESCRIPTION	QTY	REMARKS
36	51158-34J00-000	.WASHER	1	
37	51167-34J00-000	.METAL,SLIDE	1	
38	51121-34J00-000	.BUSH,SLIDE	1	
39	51195-34J00-000	.PIECE,OIL LOCK	1	
40	51141-41K00-291	.TUBE,OUTER,L (BLACK)	1	
41	51148-34J00-000	.GASKET LOWER	1	
42	51147-41K00-000	.BOLT	1	
43	51147-34J00-000	BOLT	2	

FIG.524A

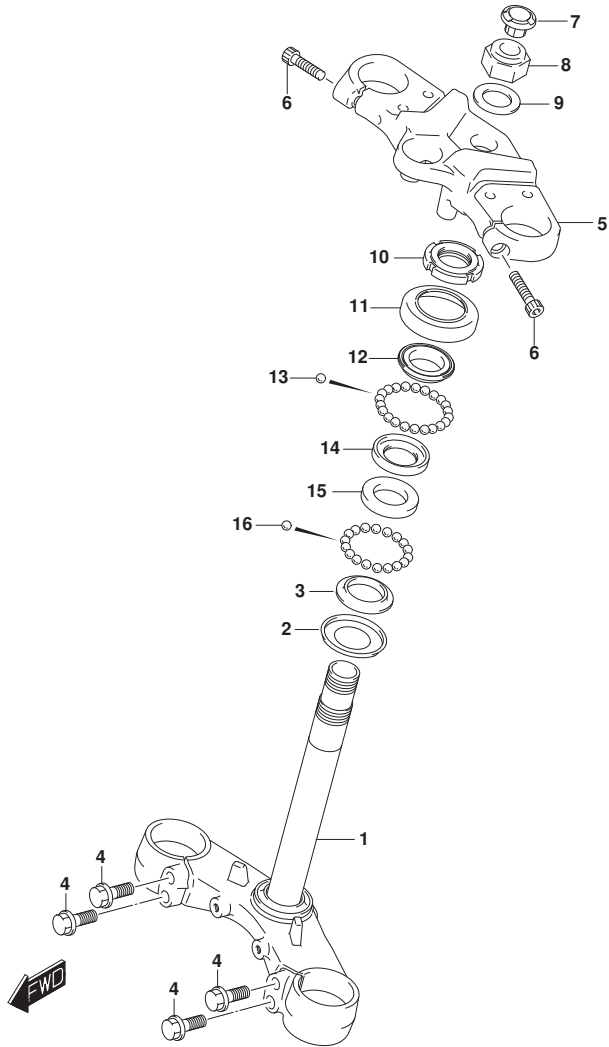


FIG.524A (1-F-6) STEERING STEM

REF NO.	PART NO.	DESCRIPTION	Q'TY	REMARKS
1	51410-41K00-000	BRACKET,FR FORK LOWER	1	
2	51644-41K00-000	SEAL,STEERING LOWER	1	
3	51622-41K00-000	RACE,STEERING OUTER LOWER	1	
4	51434-41K00-000	BOLT,FR FORK LOWER BRACKET	4	
5	51311-41K10-291	BRACKET,FR FORK UPPER (BLACK)	1	
6	51328-34J00-000	BOLT	2	
7	51344-41K00-000	CAP,STEERING STEM	1	
8	51353-41K00-000	NUT,STEERING STEM TOP	1	
9	51356-34J00-000	WASHER	1	
10	51631-28000-000	NUT,STEERING STEM (25X44X10)	1	
11	51643-25001-000	DUST SEAL,STEERING UPR	1	
12	51621-28000-000	RACE,STEERING OUTER UPR	1	
13	06111-06004-000	BALL	22	
14	51611-20002-000	RACE,STEERING INNER UPR	1	
15	51611-33002-000	RACE,STEERING INNER LWR	1	
16	06111-08004-000	BALL	18	

FIG.530B

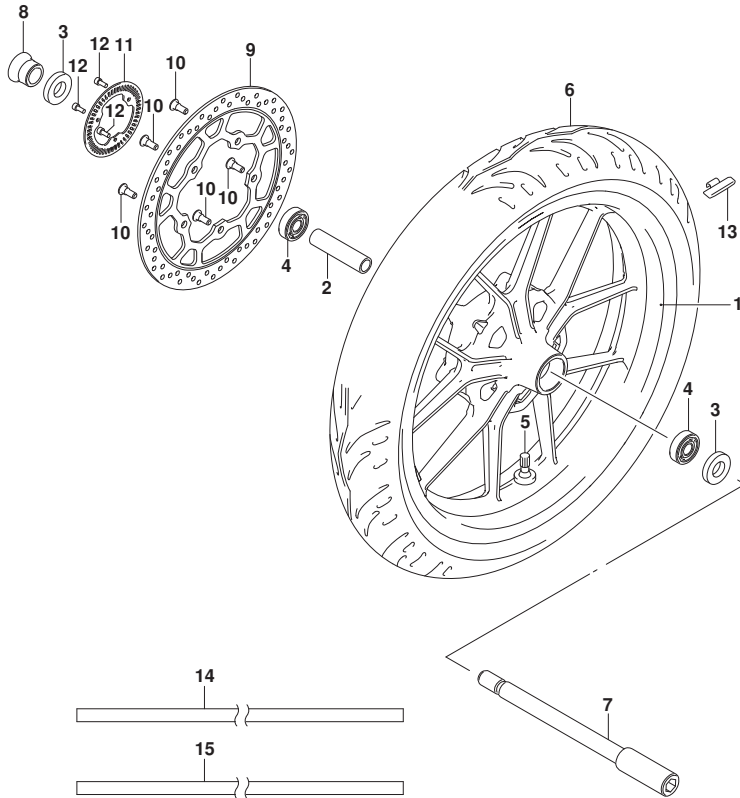


FIG.530B (1-F-7) FRONT WHEEL (GSX250FRLM)

REF NO.	PART NO.	DESCRIPTION	Q'TY	REMARKS
1	54111-41K02-QC3	WHEEL,FRONT (17M/CXMT3.00,BLAC K)	1	
2	54731-41K00-000	SPACER,FRONT HUB BEARING	1	
3	54841-48H10-000	SEAL,WHEEL DUST	2	
4	08123-6302B-000	BEARING	2	
5	43130-24A70-000	VALVE ASSY,WHEEL RIM (TR412)	1	
6	55110-41K01-000	TIRE,FRONT (110/70 R17 M/C 54S)	1	
7	54711-41K00-000	AXLE,FRONT	1	
8	54751-41K00-000	SPACER,FR AXLE,R	1	
9	59211-41K00-000	DISC,FRONT BRAKE	1	
10	59218-34J20-000	BOLT,FRONT BRAKE DISC	5	
11	54162-41K00-000	RING,SPEED SENSOR FR (50T)	1	
12	07130-0512A-000	BOLT	3	
13-1	55411-41K00-000	BALANCER,WHEEL NO.1 (10G)	AR	
13-2	55412-41K00-000	BALANCER,WHEEL NO.2 (20G)	AR	
13-3	55413-41K00-000	BALANCER,WHEEL NO.3 (30G)	AR	
14	68251-42K20-B7P	TAPE,WHEEL,R (GOLD,GRAY,BLACK)	1	
15	68252-42K20-B7P	TAPE,WHEEL,L (GOLD,GRAY,BLACK)	1	



FIG.530C

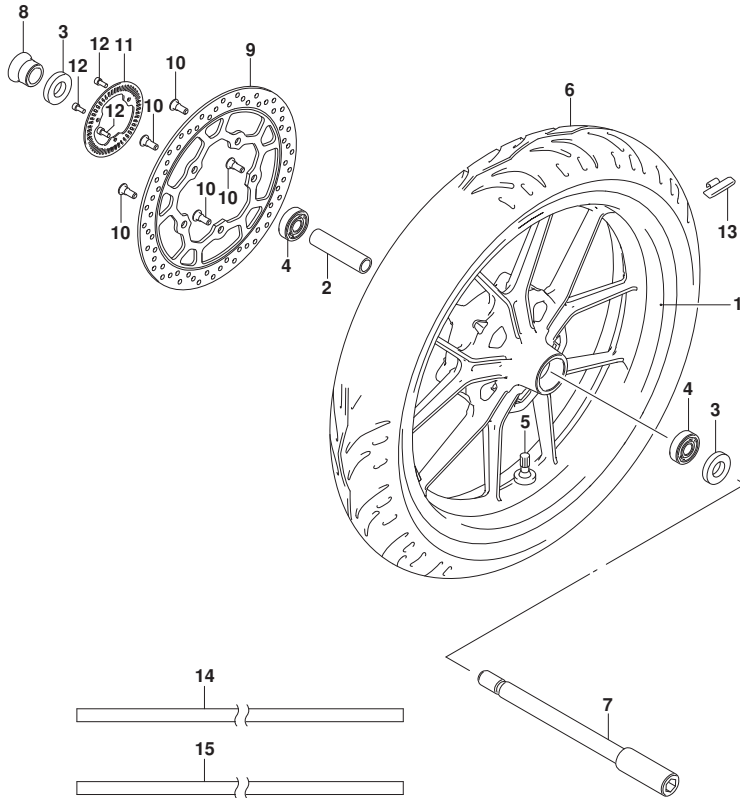


FIG.530C (1-F-8) FRONT WHEEL (GSX250FRLN)

REF NO.	PART NO.	DESCRIPTION	Q'TY	REMARKS
1	54111-41K02-QC3	WHEEL,FRONT (17M/CXMT3.00,BLAC K)	1	
2	54731-41K00-000	SPACER,FRONT HUB BEARING	1	
3	54841-48H10-000	SEAL,WHEEL DUST	2	
4	08123-6302B-000	BEARING	2	
5	43130-24A70-000	VALVE ASSY,WHEEL RIM (TR412)	1	
6	55110-41K01-000	TIRE,FRONT (110/70 R17 M/C 54S)	1	
7	54711-41K00-000	AXLE,FRONT	1	
8	54751-41K00-000	SPACER,FR AXLE,R	1	
9	59211-41K00-000	DISC,FRONT BRAKE	1	
10	59218-34J20-000	BOLT,FRONT BRAKE DISC	5	
11	54162-41K00-000	RING,SPEED SENSOR FR (50T)	1	
12	07130-0512A-000	BOLT	3	
13-1	55411-41K00-000	BALANCER,WHEEL NO.1 (10G)	AR	
13-2	55412-41K00-000	BALANCER,WHEEL NO.2 (20G)	AR	
13-3	55413-41K00-000	BALANCER,WHEEL NO.3 (30G)	AR	
14	68251-42K20-G7Z	TAPE,WHEEL,R (YELLOW,BLACK)	1	
15	68252-42K20-G7Z	TAPE,WHEEL,L (YELLOW,BLACK)	1	



FIG.533A

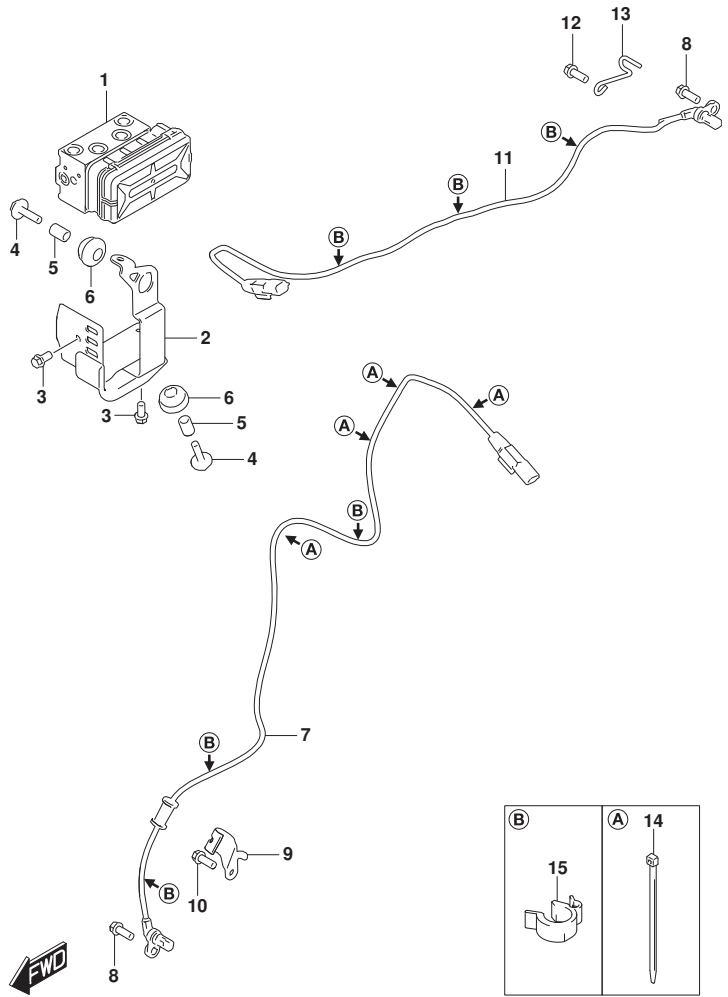


FIG.533A (1-F-9) HYDRAULIC UNIT

REF NO.	PART NO.	DESCRIPTION	Q'TY	REMARKS
1	55610-41K00-000	UNIT ASSY, HYDRAULIC ABS	1	
2	55660-41K00-000	HOLDER, HYDR UNIT ABS	1	
3	01547-0612B-000	BOLT	2	
4	55661-34J00-000	BOLT	2	
5	55662-10G00-000	SPACER, HYDR UNIT MTG (#05)	2	
6	55663-34J00-000	RUBBER, HYDR UNIT MTG	2	
7	55710-41K00-000	SENSOR, FR WHEEL SPEED	1	
8	01547-0616B-000	BOLT	2	
9	55731-41K00-000	CLAMP, FR WHL SPD SENSOR	1	
10	01547-0616B-000	BOLT	1	
11	65710-41K00-000	SENSOR, RR WHEEL SPEED	1	
12	01547-0616B-000	BOLT	1	
13	65741-41K00-000	GUIDE, RR WHL SPEED SENSOR LEAD	1	
14	09407-14407-000	CLAMP (L:145)	4	
15	55734-27K00-000	CLAMP, SENSOR	6	

FIG.535A

FIG.535A (1-F-10) FRONT CALIPER

REF NO.	PART NO.	DESCRIPTION	Q'TY	REMARKS
1	59100-34J40-000	CALIPER ASSY,FR,R	1	
2	59100-34870-000	.PISTON SET	1	
3	59100-34860-000	..SEAL SET,PISTON	1	
4	59100-34891-000	.PAD SET	1	
5	59141-34J10-000	.PIN	1	
6	59746-34J00-000	.CLIP	2	
7	59315-34J00-000	.SPRING	1	
8	59108-34J00-000	.DUST COVER	1	
9	59109-34J00-000	.INSULATOR	1	
10	59351-34J00-000	.BRACKET	1	
11	59187-34J00-000	..PIN	1	
12	59188-34J00-000	..SPACER	1	
13	59382-34J00-000	..PIN	1	
14	59145-34J00-000	..STOPPER	1	
15	59665-34J00-000	..CIRCLIP	1	
16	59121-30H00-000	.SCREW,BLEEDER	1	
17	59122-30H00-000	.CAP,BLEEDER	1	
18	01550-0835A-000	BOLT (8X35)	2	

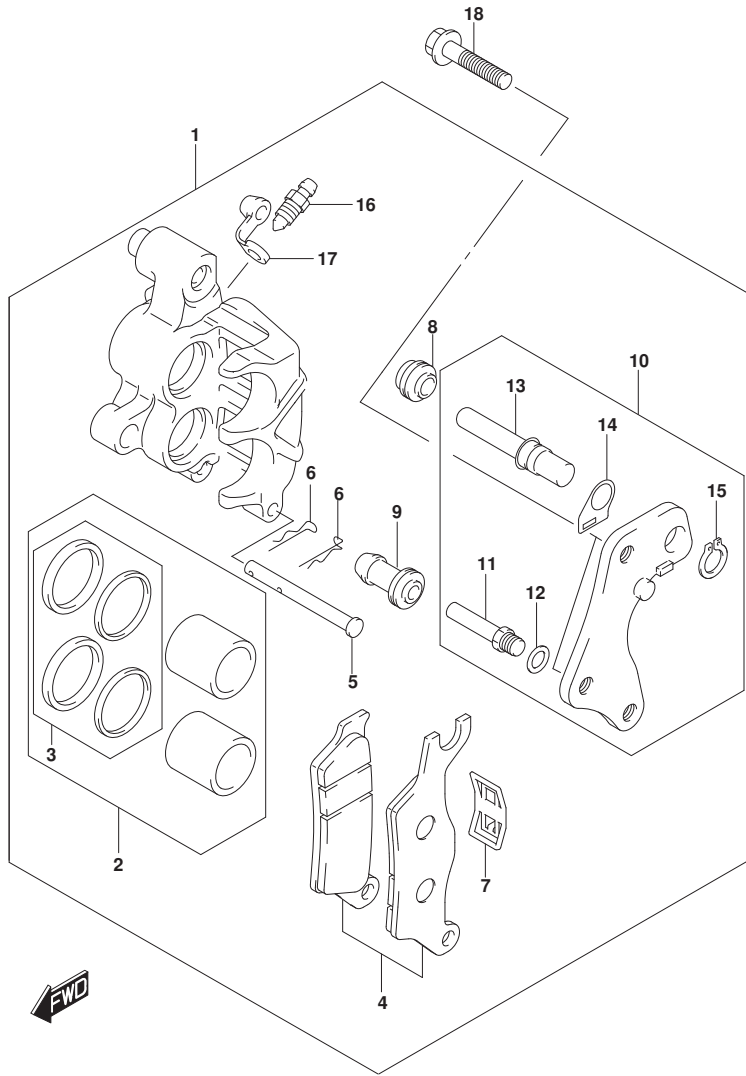


FIG.536A

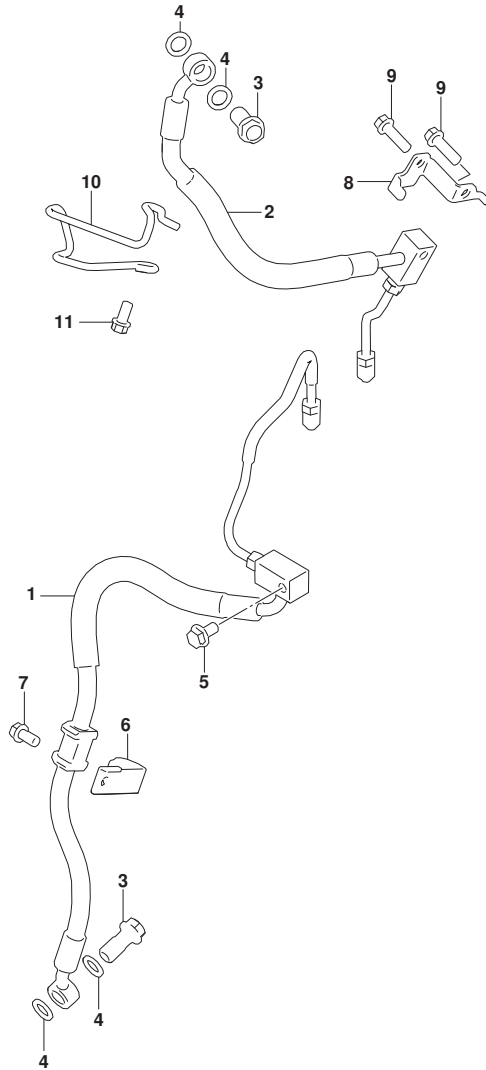


FIG.536A (1-F-11) FRONT BRAKE HOSE

REF NO.	PART NO.	DESCRIPTION	Q'TY	REMARKS
1	59400-41K00-000	HOSE ASSY,UNIT TO FR BK CLPR	1	
2	59200-41K10-000	HOSE ASSY,FR BK MASTER TO UNIT	1	
3	59492-30H40-000	BOLT,BRAKE FLUID (M10X1.25)	2	
4-1	59502-30H00-000	WASHER,BRAKE FLUID	4	
4-2	09161-10009-000	WASHER (10X15X1.5)	4	
5	01550-0612B-000	BOLT	1	
6	59266-34J00-000	CLAMP,FRONT BRAKE HOSE NO.1	1	
7	01547-0612B-000	BOLT	1	
8	59541-41K00-000	GUIDE,FR BK HOSE	1	
9	01547-0620B-000	BOLT	2	
10	59243-42K00-000	GUIDE,FRONT BRAKE HOSE	1	
11	01547-0612B-000	BOLT	1	

FIG.537A

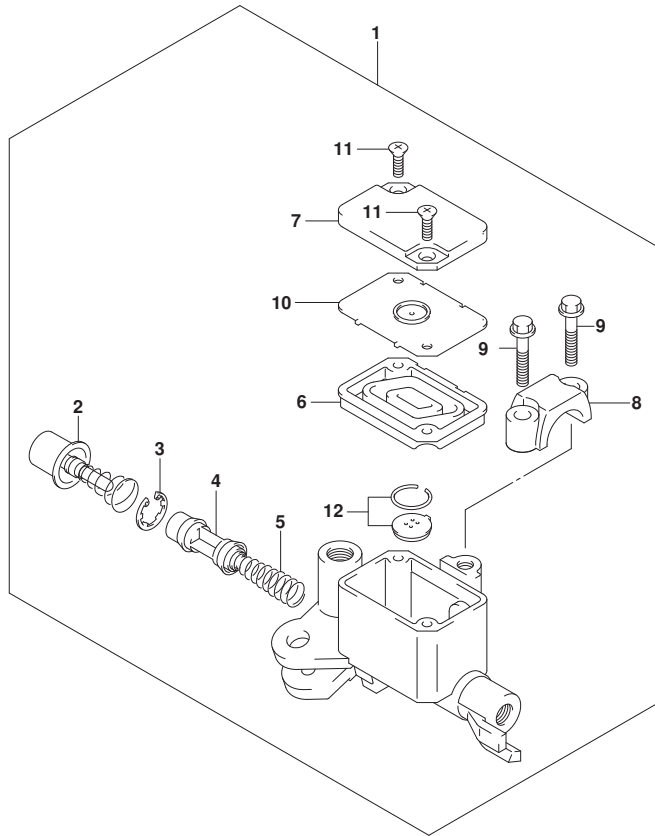


FIG.537A (1-F-12) FRONT MASTER CYLINDER

REF NO.	PART NO.	DESCRIPTION	Q'TY	REMARKS
1	59600-30H30-000	CYLINDER ASSY,FRONT MASTER	1	
2	59870-30H00-000	.PUSH ROD ASSY	1	
3	59665-30H00-000	.CIRCLIP	1	
4	59610-30H00-000	.PISTON ASSY	1	
5	57318-30H00-000	.SPRING	1	
6	59667-12K00-000	.DIAPHRAGM	1	
7	59687-30H20-000	.COVER	1	
8	59671-30H00-000	.CLAMP	1	
9	59688-30H00-000	.SCREW	2	
10	59668-30H00-000	.PLATE,DIAPHRAGM	1	
11	59691-30H00-000	.FLAT SCREW	2	
12	59669-30H00-000	.CAP	1	



FIG.541A

FIG.541A (1-F-13) REAR SWINGARM

REF NO.	PART NO.	DESCRIPTION	Q'TY	REMARKS
1	61000-41K10-000	SWINGARM ASSY,REAR	1	
2	61280-41K00-000	.SPACER,RR SWGARM PIVOT	1	
3	09263-22077-000	.BEARING (22X29X30)	2	
4	61251-41K00-000	SPACER,RR SWGARM PIVOT BEARING	2	
5	09160-14079-000	WASHER (14X34X1)	2	
6	61262-41K00-000	COVER,RR SWGARM PIVOT DUST	2	
7	08319-2114A-000	NUT	1	
8	09160-14078-000	WASHER (14.5X29X2.3)	1	
9	61211-30H00-000	SHAFT,RR SWINGARM PIVOT	1	
10	61273-41K00-000	BUFFER,CHAIN TOUCH DEFENSE	1	
11	09111-06072-000	BOLT (6X17.8)	1	

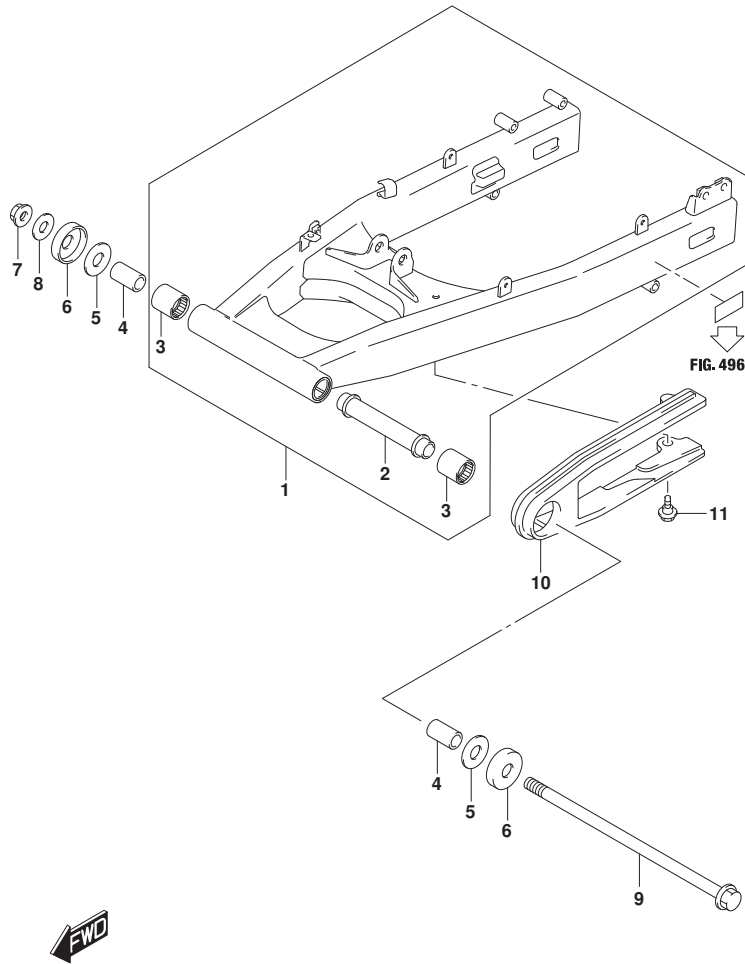


FIG.545A

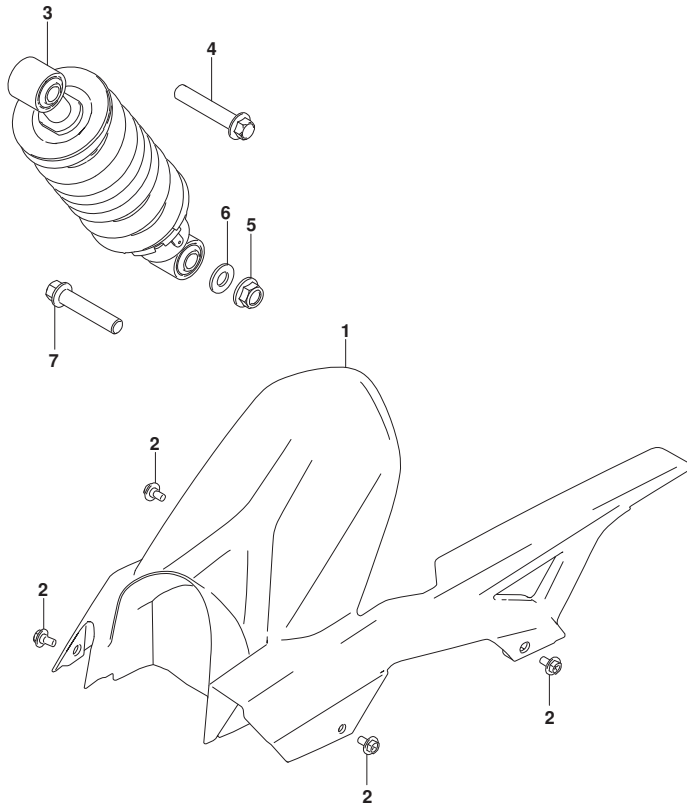


FIG.545A (1-F-14) REAR SHOCK ABSORBER

REF NO.	PART NO.	DESCRIPTION	Q'TY	REMARKS
1	61311-41K00-000	CASE,CHAIN	1	
2	09111-06107-000	BOLT (6X12)	4	
3	62100-41K00-28W	ABSORBER ASSY,RR SHOCK (,WHITE)	1	
4	62658-47H00-000	BOLT,RR CUSHION LEVER	1	
5	09159-12082-000	NUT	1	
6	09160-12131-000	WASHER (12.3X24X2.3)	1	
7	62668-30B00-000	BOLT,RR CUSHION LEVER FR (12X60)	1	

FIG.550B

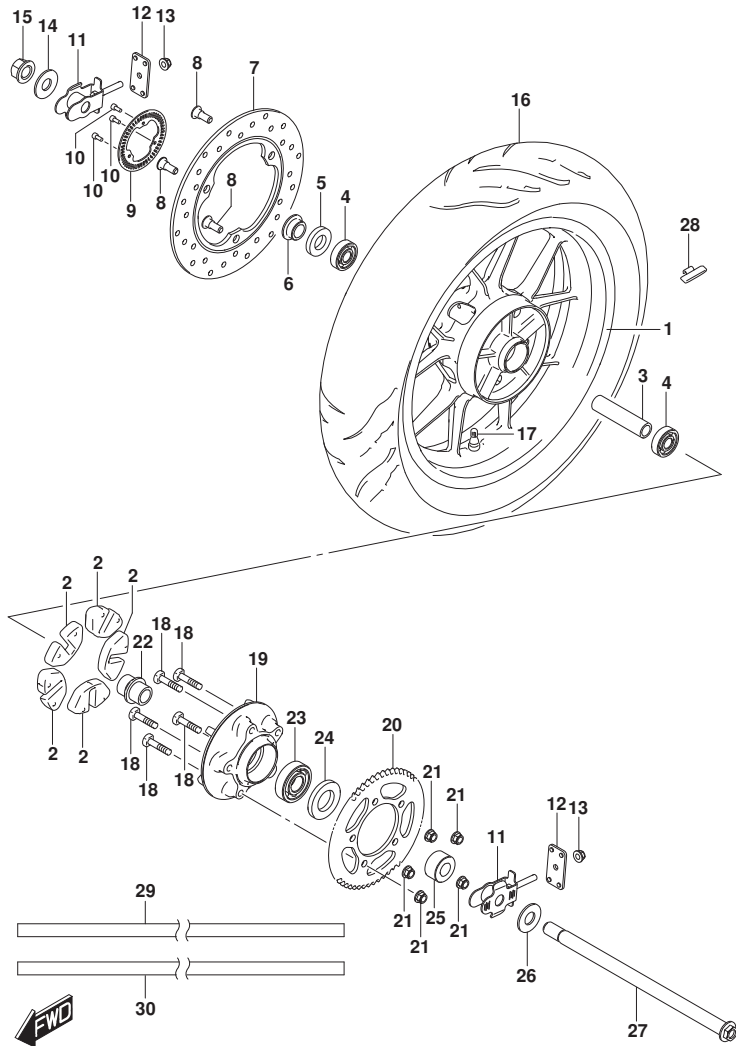


FIG.550B (1-F-15) REAR WHEEL (GSX250FRLM)

REF NO.	PART NO.	DESCRIPTION	Q'TY	REMARKS
1	64111-41K02-QC3	WHEEL,REAR (17M/CXMT4.00,BLACK)	1	
2	64651-20L00-000	ABSORBER,REAR HUB SHOCK	5	
3	64731-41K00-000	SPACER,REAR WHEEL HUB BEARING	1	
4	08123-6303B-000	BEARING	2	
5	64841-41K00-000	SEAL,REAR HUB BEARING	1	
6	64741-41K00-000	SPACER,REAR AXLE,R	1	
7	69211-41K00-000	DISC,REAR BRAKE	1	
8	59218-34J20-000	BOLT,FRONT BRAKE DISC	3	
9	54162-41K00-000	RING,SPEED SENSOR FR (50T)	1	
10	07130-0512A-000	BOLT	3	
11	61410-41K00-000	ADJUSTER,CHAIN	2	
12	61421-41K00-000	PLATE,CHAIN ADJUSTER GUIDE	2	
13	08319-3108A-000	NUT	2	
14	61445-41K00-000	WASHER,REAR AXLE,R	1	
15	64721-41K00-000	NUT,REAR AXLE	1	
16	65110-41K01-000	TIRE,REAR (150/60 R17 M/C 66S)	1	
17	43130-24A70-000	VALVE ASSY,WHEEL RIM (TR412)	1	
18	64541-41K00-000	BOLT,REAR SPROCKET	5	
19	64611-01D10-000	DRUM,REAR SPROCKET	1	
20	64511-41K00-000	SPROCKET,REAR (NT:40)	1	
21	08319-3110A-000	NUT	5	
22	64733-01D00-000	RETAINER,RR SPROCKET DRUM	1	
23	08133-6305B-000	BEARING	1	
24	64831-41K00-000	SEAL,REAR SPROCKET DRUM OIL	1	
25	64751-41K00-000	SPACER,REAR AXLE,L	1	
26	61455-41K00-000	WASHER,REAR AXLE,L	1	
27	64711-41K00-000	AXLE,REAR	1	
28-1	55411-41K00-000	BALANCER,WHEEL NO.1 (10G)	AR	
28-2	55412-41K00-000	BALANCER,WHEEL NO.2 (20G)	AR	
28-3	55413-41K00-000	BALANCER,WHEEL NO.3 (30G)	AR	
29	68251-42K20-B7P	TAPE,WHEEL,R (GOLD,GRAY,BLACK)	1	
30	68252-42K20-B7P	TAPE,WHEEL,L (GOLD,GRAY,BLACK)	1	

FIG.550C

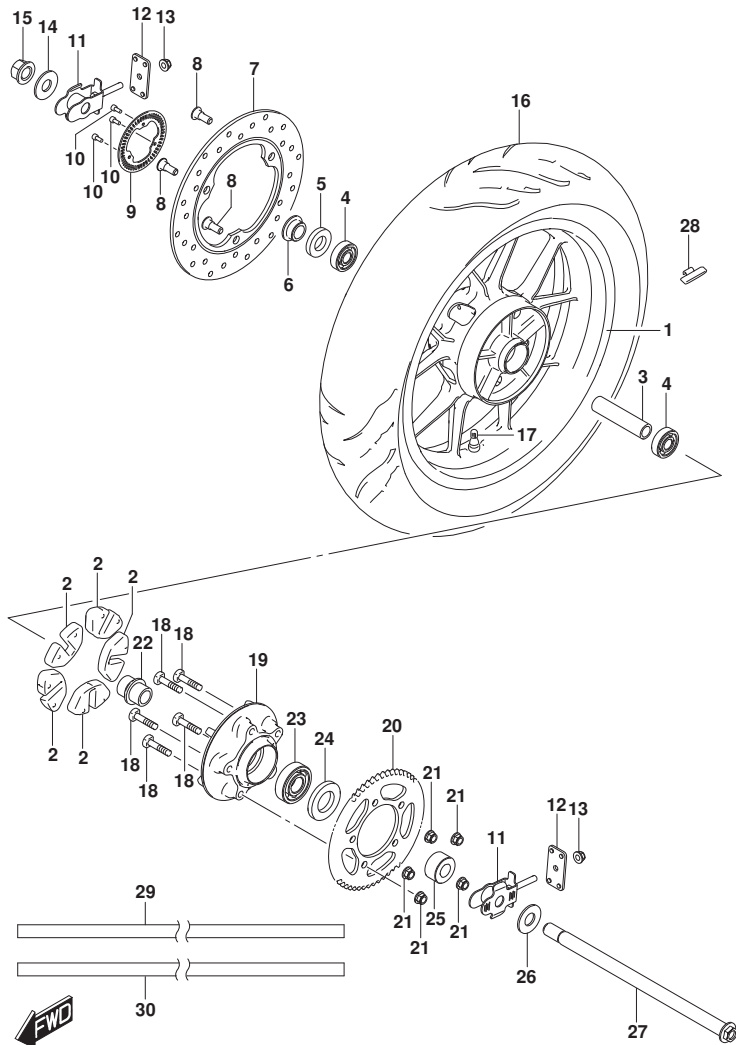


FIG.550C (1-F-16) REAR WHEEL (GSX250FRLN)

REF NO.	PART NO.	DESCRIPTION	Q'TY	REMARKS
1	64111-41K02-QC3	WHEEL,REAR (17M/CXMT4.00,BLACK	1	
2	64651-20L00-000	ABSORBER,REAR HUB SHOCK	5	
3	64731-41K00-000	SPACER,REAR WHEEL HUB BEARING	1	
4	08123-6303B-000	BEARING	2	
5	64841-41K00-000	SEAL,REAR HUB BEARING	1	
6	64741-41K00-000	SPACER,REAR AXLE,R	1	
7	69211-41K00-000	DISC,REAR BRAKE	1	
8	59218-34J20-000	BOLT,FRONT BRAKE DISC	3	
9	54162-41K00-000	RING,SPEED SENSOR FR (50T)	1	
10	07130-0512A-000	BOLT	3	
11	61410-41K00-000	ADJUSTER,CHAIN	2	
12	61421-41K00-000	PLATE,CHAIN ADJUSTER GUIDE	2	
13	08319-3108A-000	NUT	2	
14	61445-41K00-000	WASHER,REAR AXLE,R	1	
15	64721-41K00-000	NUT,REAR AXLE	1	
16	65110-41K01-000	TIRE,REAR (150/60 R17 M/C 66S)	1	
17	43130-24A70-000	VALVE ASSY,WHEEL RIM (TR412)	1	
18	64541-41K00-000	BOLT,REAR SPROCKET	5	
19	64611-01D10-000	DRUM,REAR SPROCKET	1	
20	64511-41K00-000	SPROCKET,REAR (NT:40)	1	
21	08319-3110A-000	NUT	5	
22	64733-01D00-000	RETAINER,RR SPROCKET DRUM	1	
23	08133-6305B-000	BEARING	1	
24	64831-41K00-000	SEAL,REAR SPROCKET DRUM OIL	1	
25	64751-41K00-000	SPACER,REAR AXLE,L	1	
26	61455-41K00-000	WASHER,REAR AXLE,L	1	
27	64711-41K00-000	AXLE,REAR	1	
28-1	55411-41K00-000	BALANCER,WHEEL NO.1 (10G)	AR	
28-2	55412-41K00-000	BALANCER,WHEEL NO.2 (20G)	AR	
28-3	55413-41K00-000	BALANCER,WHEEL NO.3 (30G)	AR	
29	68251-42K20-G7Z	TAPE,WHEEL,R (YELLOW,BLACK)	1	
30	68252-42K20-G7Z	TAPE,WHEEL,L (YELLOW,BLACK)	1	

FIG.555A

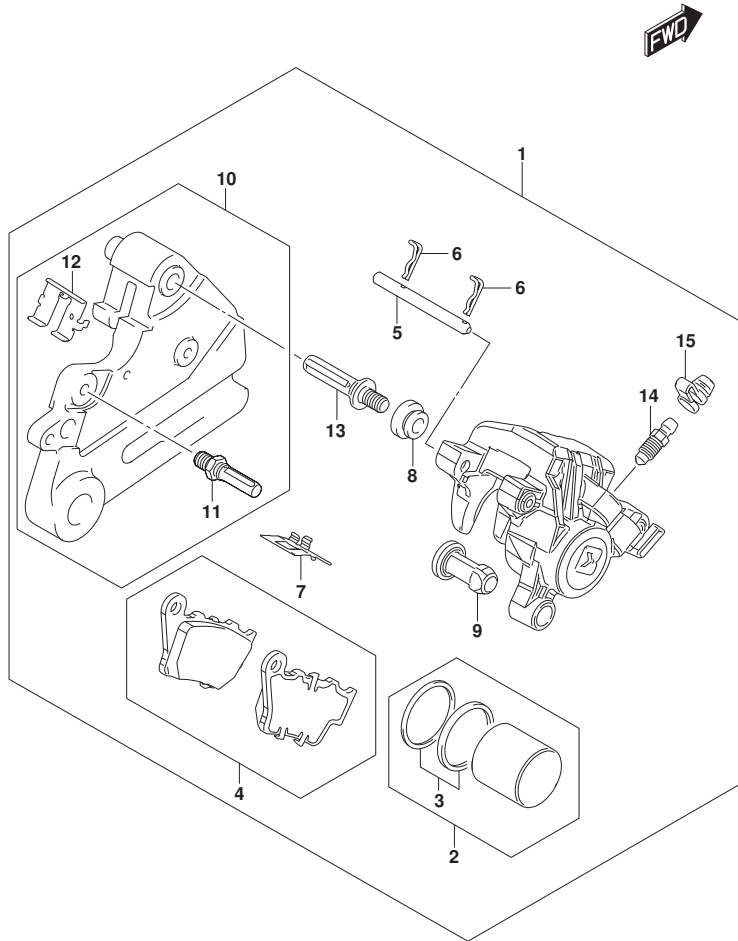


FIG.555A (1-G-2) REAR CALIPER

REF NO.	PART NO.	DESCRIPTION	Q'TY	REMARKS
1	69100-41K00-000	CALIPER ASSY,REAR	1	
2	69100-27870-000	.PISTON SET	1	
3	69100-27860-000	..SEAL SET	1	
4	69100-27890-000	.PAD SET	1	
5	69345-27K00-000	.PIN,PAD	1	
6	69746-27K00-000	.CLIP	2	
7	69115-27K00-000	.SPRING,PAD	1	
8	59108-34J00-000	.DUST COVER	1	
9	59109-34J00-000	.INSULATOR	1	
10	69720-41K00-000	.BRACKET	1	
11	59187-34J00-000	..PIN	1	
12	69116-27K00-000	..RETAINER	1	
13	69187-27K00-000	.PIN	1	
14	59121-30H00-000	.SCREW,BLEEDER	1	
15	59122-30H00-000	.CAP,BLEEDER	1	

FIG.558A

FIG.558A (1-G-3) REAR MASTER CYLINDER

REF NO.	PART NO.	DESCRIPTION	Q'TY	REMARKS
1	69200-41K00-000	HOSE ASSY,RR BK MASTER TO UNIT	1	
2	69400-41K00-000	HOSE ASSY,UNIT TO RR BK CLPR	1	
3	01547-0625A-000	BOLT	1	
4	59492-30H40-000	BOLT,BRAKE FLUID (M10X1.25)	2	
5-1	59502-30H00-000	WASHER,BRAKE FLUID	4	
5-2	09161-10009-000	WASHER (10X15X1.5)	4	
6	09403-07410-000	CLAMP	2	
7	09403-17311-000	CLAMP	1	
8	69600-41K00-000	CYLINDER ASSY,REAR MASTER	1	
9	69600-41810-000	.PISTON/CUP SET	1	
10	69666-27K00-000	.BOOT	1	
11	69692-41K00-000	.YOKE	1	
12	69693-27K00-000	.NUT	1	
13	69665-27K00-000	.CIRCLIP	1	
14	69671-41K00-000	.ROD,PUSH	1	
15	69872-27K00-000	.GUIDE,ROD	1	
16	09200-06037-000	PIN (6X17.7)	1	
17	08322-0106A-000	WASHER	1	
18	04111-2015A-000	PIN	1	
19	07130-0620A-000	BOLT	2	
20	69740-27K00-000	TANK ASSY,RR RESERVOIR	1	
21	69689-27K00-000	.SCREW	2	
22	69667-27K00-000	.DIAPHRAGM	1	
23	69669-27K00-000	.CAP	1	
24	69668-27K00-000	.PLATE,DIAPHRAGM	1	
25	01550-0612A-000	BOLT	1	
26	69731-41K00-000	HOSE,RR RESERVOIR TANK	1	
27	59735-27K00-000	CLIP	2	

