

# SUZUKI

## PARTS CATALOGUE

### GSX800FM4

(EM13A/EM23A)

GSX800FRQ  
GSX800FUQ

E21



2023-10

1<sup>ST</sup> EDITION

## PREFACE

When it becomes necessary to replace parts on SUZUKI MOTORCYCLES, always use SUZUKI GENUINE PARTS which have passed a strict inspection which guarantees quality and performance.

This parts catalogue covers the list of all service parts for SUZUKI GSX800FRQM4, GSX800FUQM4.

### INSTRUCTIONS FOR QUOTING THE CATALOGUE

#### 1. DIMENSIONS

Dimensions of the parts in this catalogue are indicated in unit millimeters.

#### 2. ABBREVIATIONS

Abbreviations used in this catalogue are as follows:

AR	: As required	NT	: Number of teeth
ASSY	: Assembly	OPT	: Optional
E. NO.	: Engine number	OS	: Over size
F. NO.	: Frame number	STD	: Standard
D	: Diameter of material	T	: Thickness
ID	: Inside diameter	US	: Under size
OD	: Outside diameter	W	: Width
L	: Length		
LH	: Left hand side		
RH	: Right hand side		
~100045	: Up to F. NO. A100-100045		
100046~	: From F. NO. A100-100046		
12 x 34 x 5.6.....	Figures in the description column		
	show the dimensions of parts.		
ID OD T(or W, L)			

→12345-56781 (Parts No.) : indicates that the parts number was changed to 12345-56781 and the new parts are interchangeable with the former ones but the former ones are not interchangeable with new ones.

←12345-56781 (Parts No.) : indicates that the former and new parts are interchangeable with each other and both are usable.

#### 3. INNER PARTS OF ASSEMBLY

Part name with a dot (.) in front as shown in the description column indicates the component of the assembly also available individually.

#### 4. MODIFICATION NOTICE

A parts bulletin will be sent to you on all occasions when changes in parts occur, including interchangeable modifications between new parts and old ones.

#### 5. NOTE

5-1. There are some different parts from those of production models among spare parts for the administrative reasons and common use of them with other models.

5-2. In respect of rubber hoses and vinyl tubes, please be sure to use them by cutting off according to the length mentioned on parts catalogue or what is actually required on the vehicle.

5-3. Note that the drawings on the illustration page are for ready reference of spare parts number, not to be used as an assembly manual.  
When assembling, use "SUZUKI SERVICE MANUAL".

#### 6. SPECIFICATION CODE

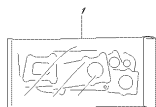
This catalogue contains the parts for the model designed for the following spec. ;  
spec. code : E21.

#### 7. SERIAL FRAME NUMBER

GSX800FRQM4 : JS1EM11AZP7100001~  
GSX800FUQM4 : JS1EM21AZP7100001~

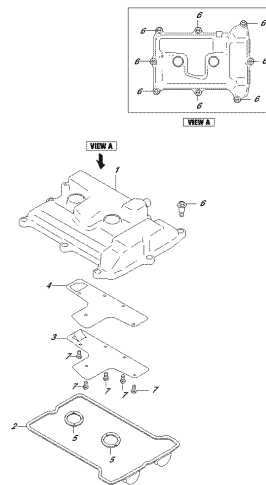


FIG. 101A



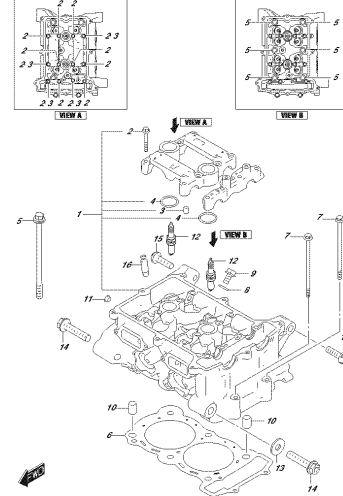
ISSKIDFAM\_LEL\_101A  
CIVILKEP.LET

FIG. 102A



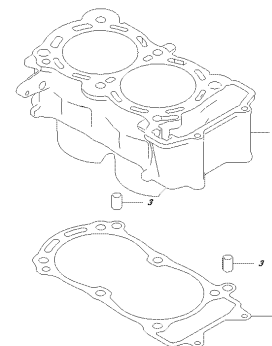
ISSKIDFAM\_LEL\_102A  
CIVILKEP.HOKVONCFP

FIG. 103A



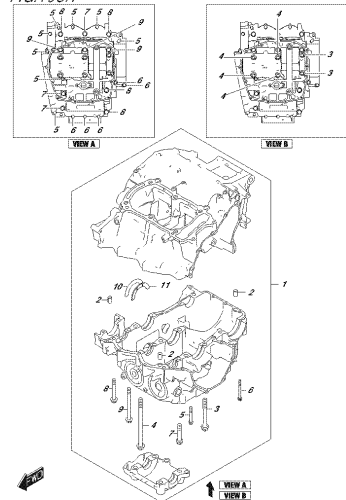
ISSKIDFAM\_LEL\_103A  
CIVILKEP.HOKV

FIG. 107A



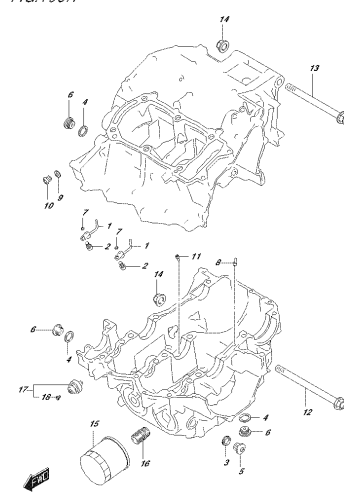
ISSKIDFAM\_LEL\_107A  
CIVILKEP

FIG. 108A



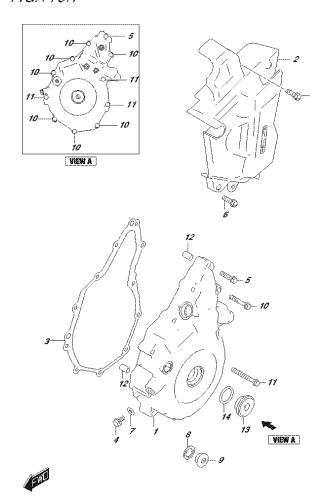
ISSKIDFAM\_LEL\_108A  
CIVILKEP

FIG. 109A



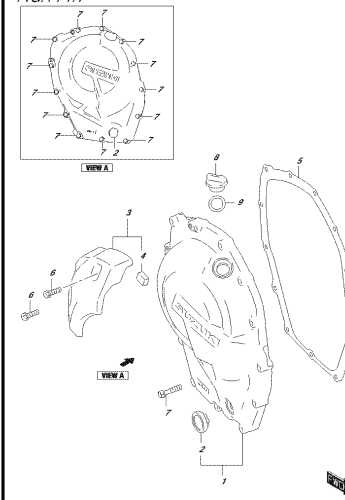
ISSKIDFAM\_LEL\_109A  
CIVILKEP

FIG. 113A



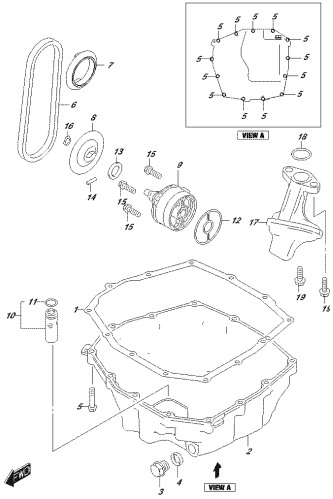
ISSKIDFAM\_LEL\_113A  
HAKVETGZCFP

FIG. 114A



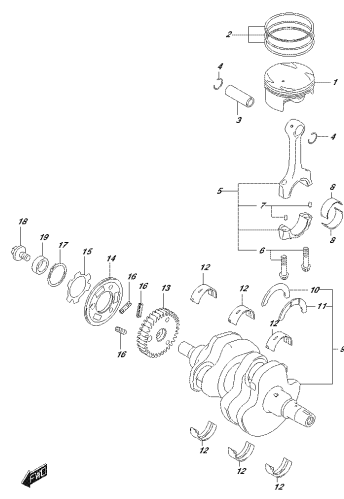
ISSKIDFAM\_LEL\_114A  
CIVILKEP

FIG. 116A



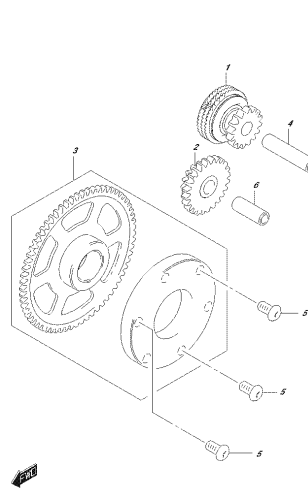
ISOFORMAL\_ELF\_116A  
CEL. MOTOR PUMP

FIG. 120A



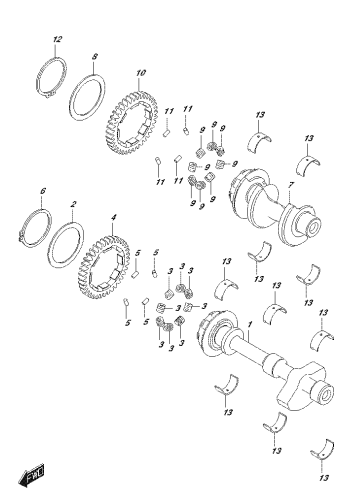
ISOFORMAL\_ELF\_120A  
CERAMIC MOTOR

FIG. 122A



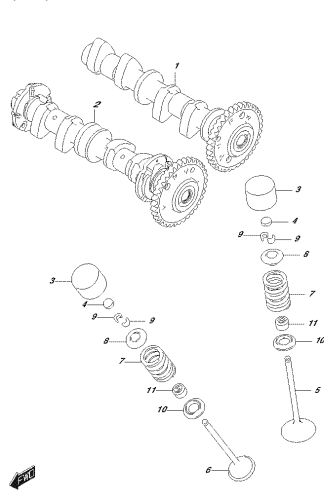
ISOFORMAL\_ELF\_122A  
CERAMIC MOTOR

FIG. 124A



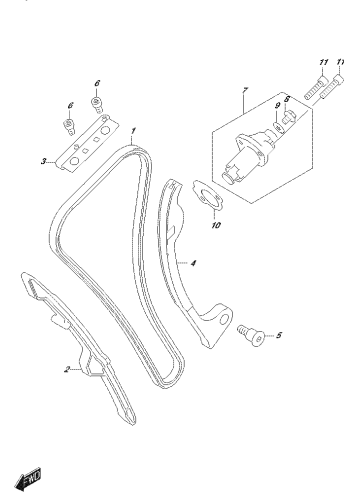
ISOFORMAL\_ELF\_124A  
CERAMIC MOTOR

FIG. 126A



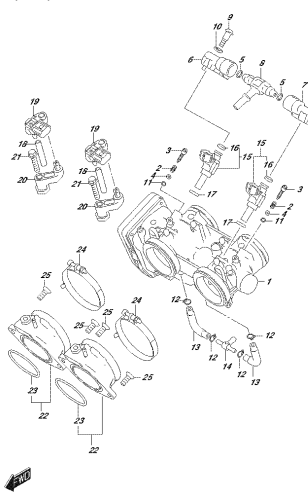
ISOFORMAL\_ELF\_126A  
CARBORUM

FIG. 127A



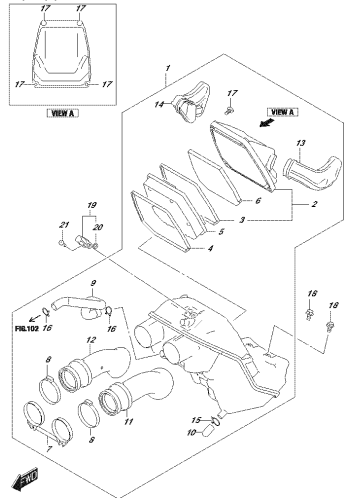
ISOFORMAL\_ELF\_127A  
CARBORUM

FIG. 140A



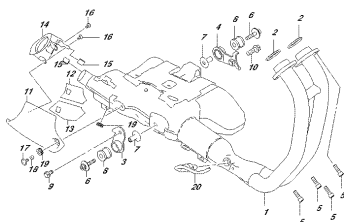
ISOFORMAL\_ELF\_140A  
PACETLEBOD

FIG. 155A



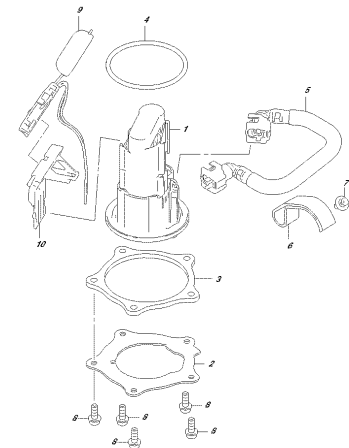
ISOFORMAL\_ELF\_155A  
ARGLERKER

FIG. 163A



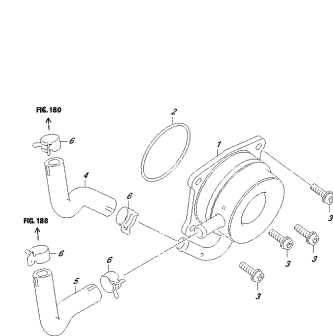
OSKROFAM\_EEL\_163A  
SUFFLER

FIG. 172A



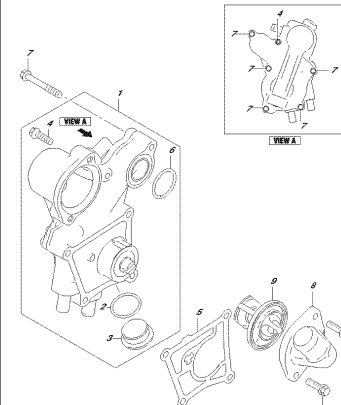
OSKROFAM\_EEL\_172A  
FUELPUMP

FIG. 178A



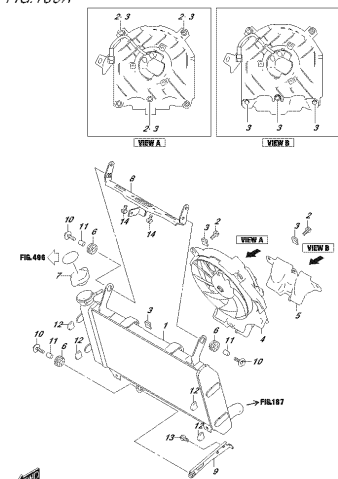
OSKROFAM\_EEL\_178A  
FUELPUMP

FIG. 180A



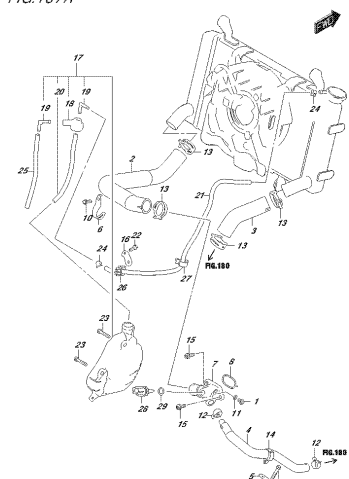
OSKROFAM\_EEL\_180A  
SUFFLERPUMP

FIG. 185A



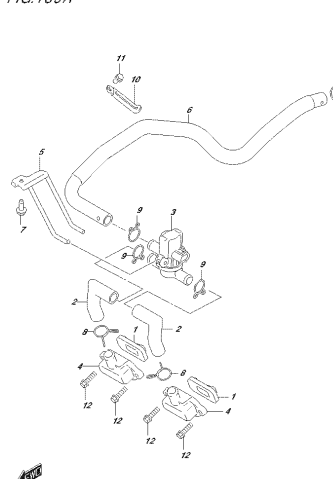
OSKROFAM\_EEL\_185A  
PUMPER

FIG. 187A



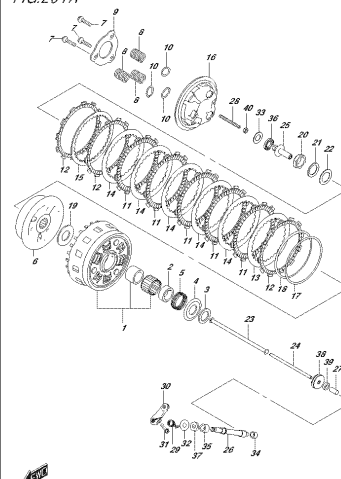
OSKROFAM\_EEL\_187A  
PUMPER

FIG. 189A



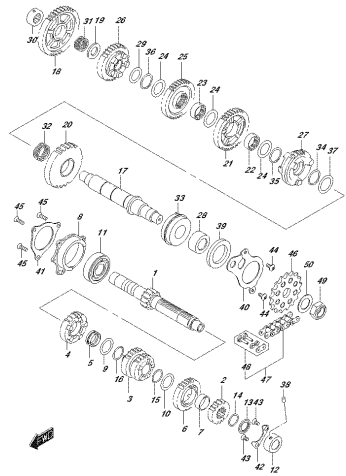
OSKROFAM\_EEL\_189A  
SUFFPUMPER

FIG. 201A



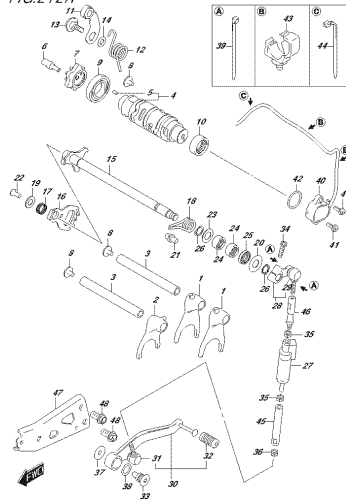
OSKROFAM\_EEL\_201A  
CLUTCH

FIG.206A



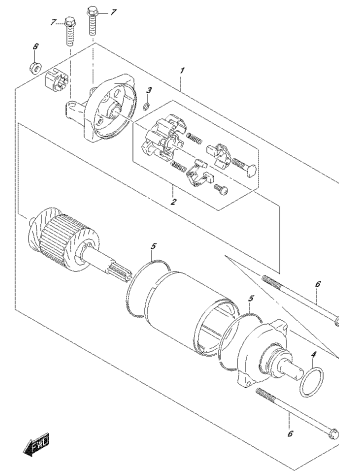
ISSKORFAM\_EEL\_31/04  
ITK465603071

FIG.212A



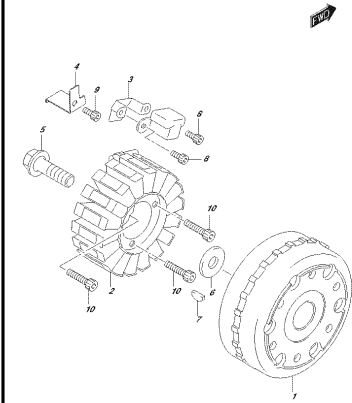
ISSKORFAM\_EEL\_31/04  
ISSKORFOP1700

FIG.301A



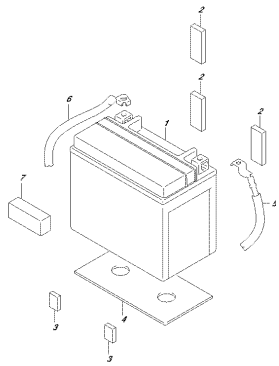
ISSKORFAM\_EEL\_31/04  
ISSKORFVICTOR

FIG.303A



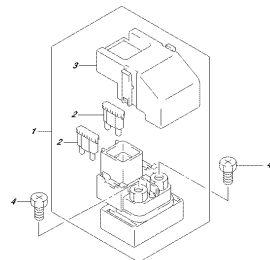
ISSKORFAM\_EEL\_31/04  
ISSKORFED

FIG.310A



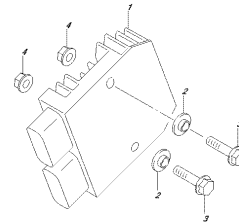
ISSKORFAM\_EEL\_31/04  
SKATER

FIG.311A



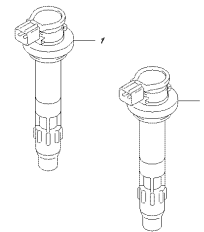
ISSKORFAM\_EEL\_31/04  
ISSKORFSELA

FIG.313A



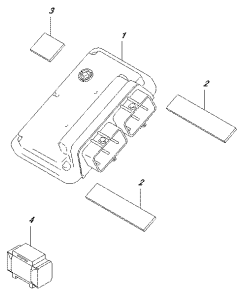
ISSKORFAM\_EEL\_31/04  
REC 1169

FIG.316A



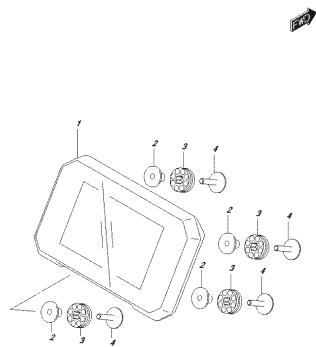
ISSKORFAM\_EEL\_31/04  
KVV10N100

FIG.322A



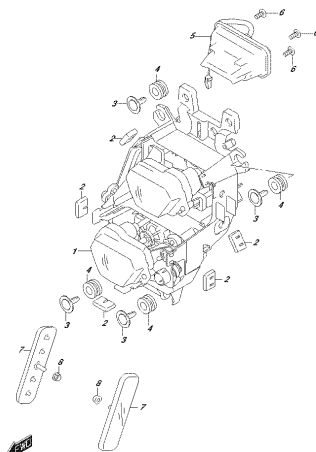
ISKROMFAM\_EEP\_322A  
ELECTRONIC POWER CONTROL UNIT

FIG.330A



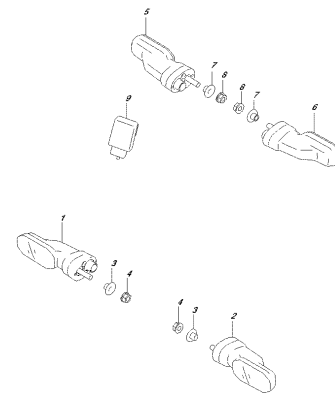
ISKROMFAM\_EEP\_330A  
SPEEDOMETER

FIG.333A



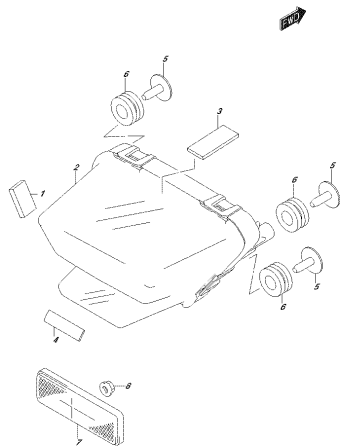
ISKROMFAM\_EEP\_333A  
HEADLAMP

FIG.334A



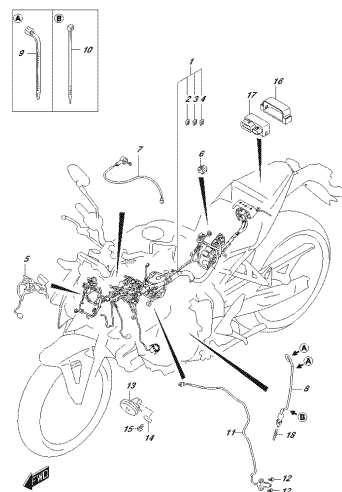
ISKROMFAM\_EEP\_334A  
TURN SIGNAL LAMP

FIG.339A



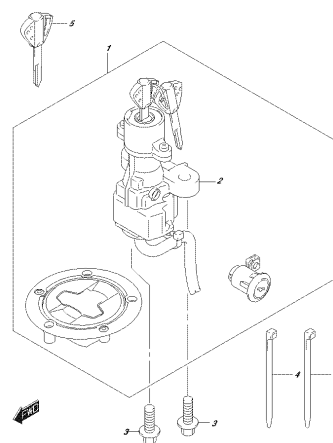
ISKROMFAM\_EEP\_339A  
REAR COMBINATION LAMP

FIG.350A



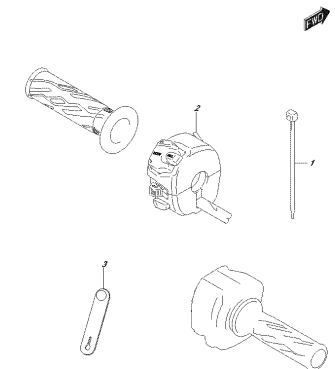
ISKROMFAM\_EEP\_350A  
HUB MOTOR

FIG.352A



ISKROMFAM\_EEP\_352A  
LOCK SET

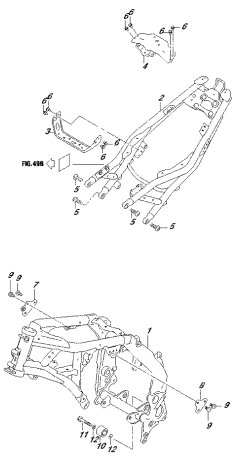
FIG.355A



ISKROMFAM\_EEP\_355A  
HANDLE SWITCH

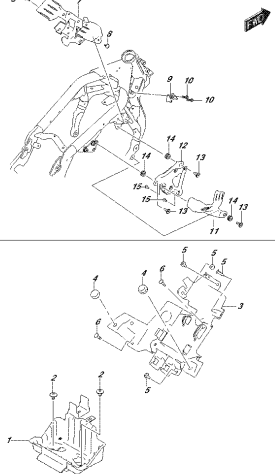


FIG.401A



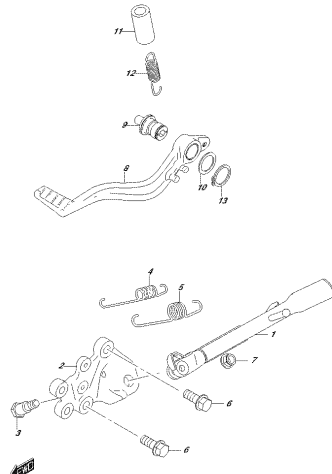
OSKROFAM\_LEL\_401A  
STRAKE

FIG.406A



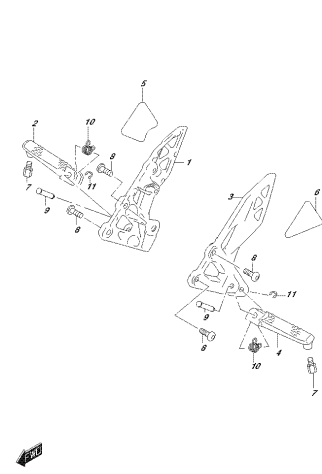
OSKROFAM\_LEL\_406A  
KOLLETI

FIG.407A



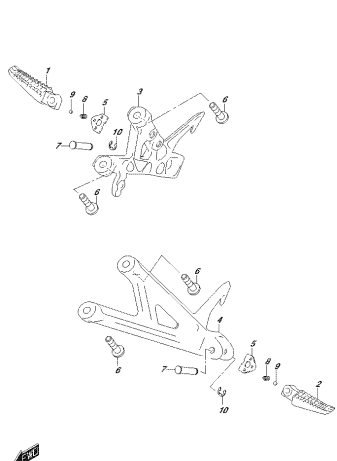
OSKROFAM\_LEL\_407A  
OSHAID

FIG.415A



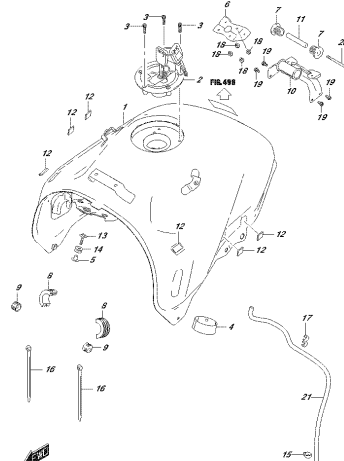
OSKROFAM\_LEL\_415A  
FOOTREST

FIG.417A



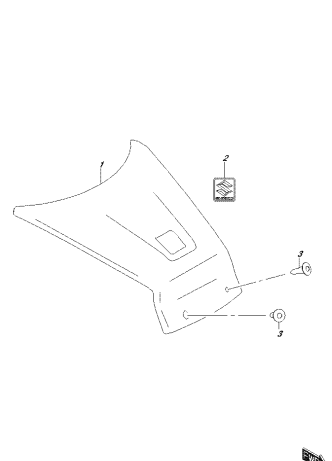
OSKROFAM\_LEL\_417A  
FLEKON FOOTREST

FIG.420A



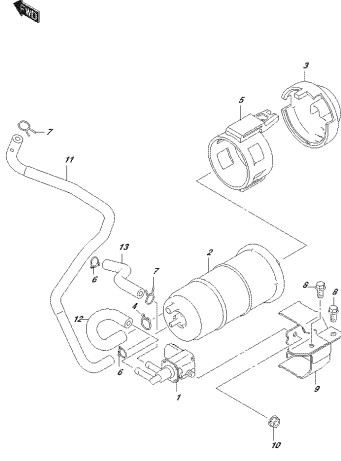
OSKROFAM\_LEL\_420A  
FLELDRAV

FIG.422A



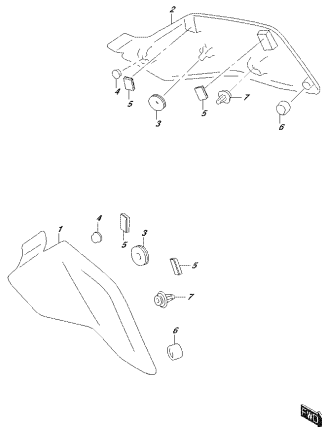
OSKROFAM\_LEL\_422A  
FLELDRAV TREKTI OMBR

FIG.427A



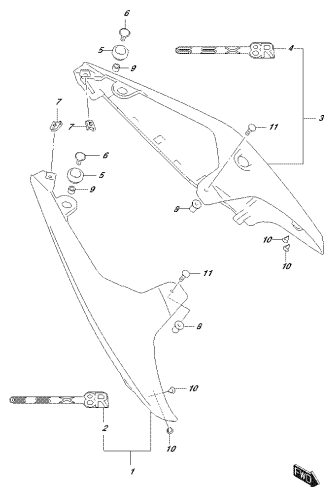
OSKROFAM\_LEL\_427A  
ENAF SYSTEM

FIG.433A



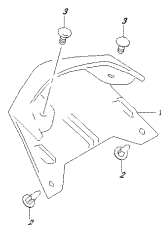
ISSUE/FAM\_LE1\_433A  
DIE/COAST

FIG.434A



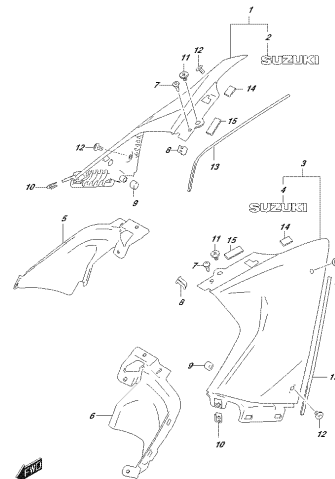
ISSUE/FAM\_LE1\_434A  
DIE/REARVIEW

FIG.443A



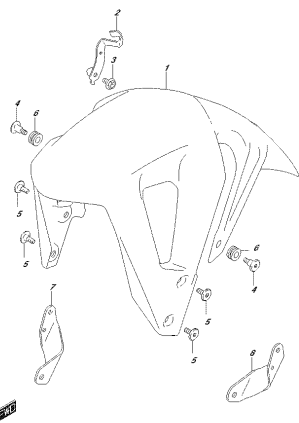
ISSUE/FAM\_LE1\_443A  
IT/RAVING/REARVIEW

FIG.447A



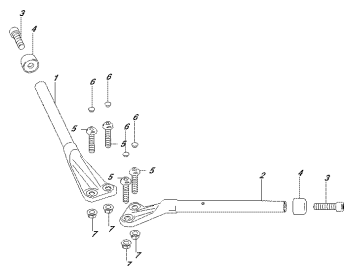
ISSUE/FAM\_LE1\_447A  
IT/RAVING/SUZUKI/COAST

FIG.460A



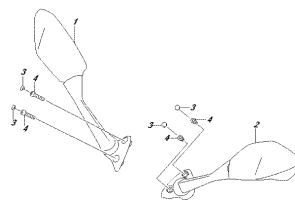
ISSUE/FAM\_LE1\_460A  
FRONT FENDER

FIG.462A



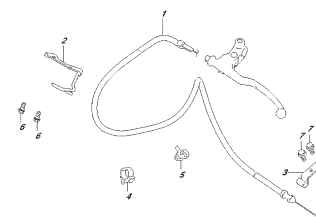
ISSUE/FAM\_LE1\_462A  
HAKLEBAY

FIG.464A



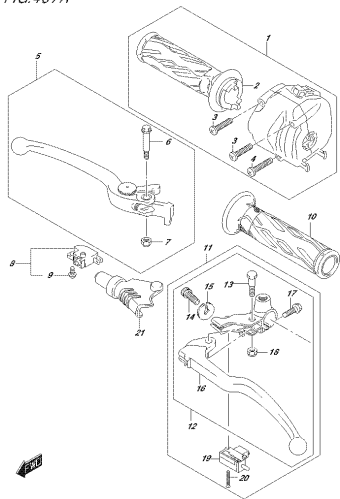
ISSUE/FAM\_LE1\_464A  
REARVIEW MIRROR

FIG.466A



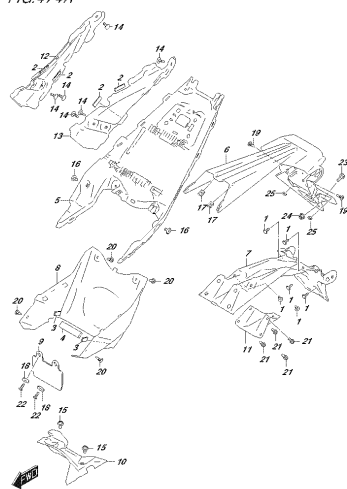
ISSUE/FAM\_LE1\_466A  
CONTROL CABLE

FIG.467A



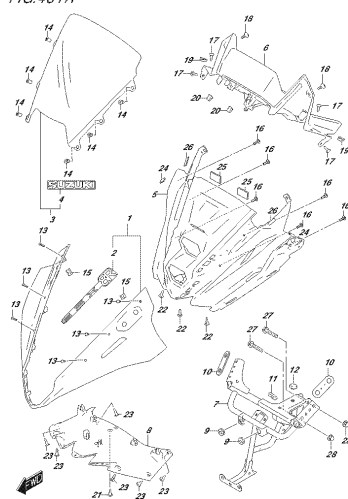
OSKORIFAM\_EEL\_0174  
HANDLEBAR

FIG.474A



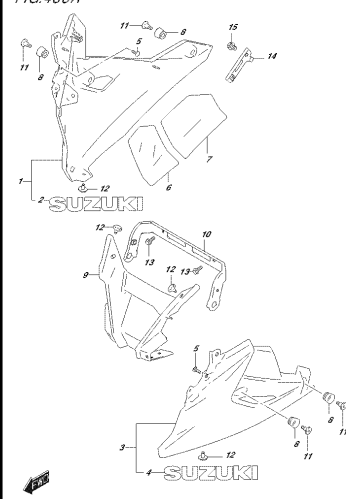
OSKORIFAM\_EEL\_0174  
REAR SEAT

FIG.481A



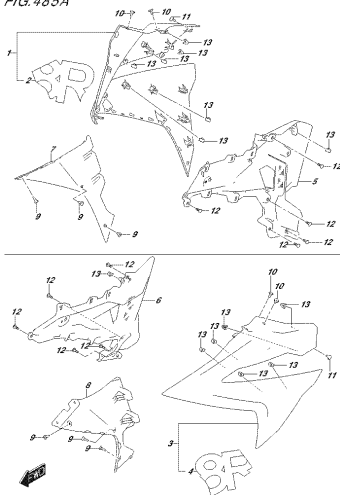
OSKORIFAM\_EEL\_0154  
COVER FRONT

FIG.483A



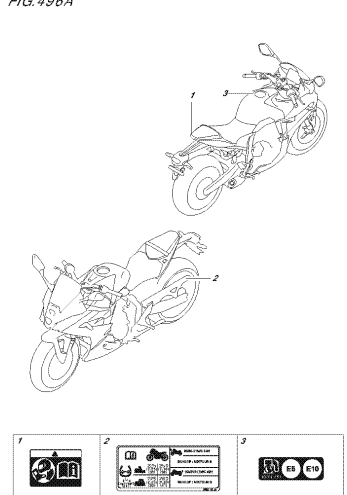
OSKORIFAM\_EEL\_0154  
COVER REAR

FIG.485A



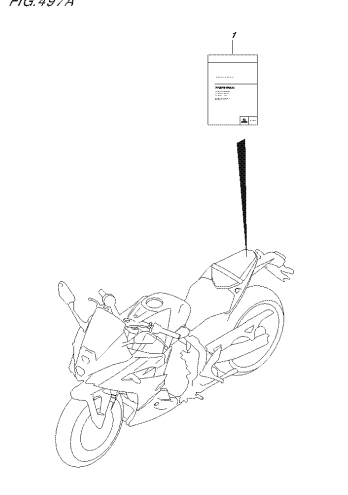
OSKORIFAM\_EEL\_0154  
SIDE COVER

FIG.496A



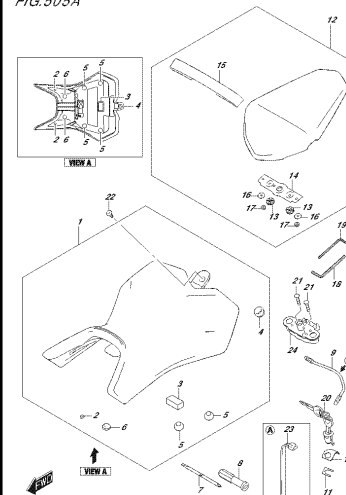
OSKORIFAM\_EEL\_0164  
LARGO

FIG.497A



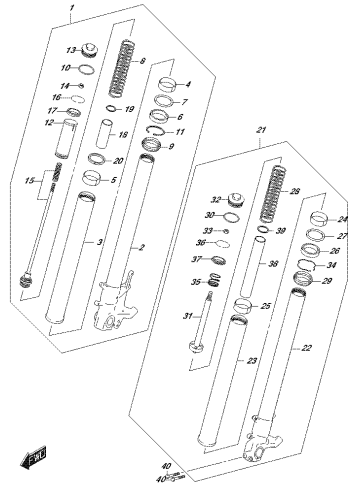
OSKORIFAM\_EEL\_0174  
MANUAL/IZDEJ

FIG.505A



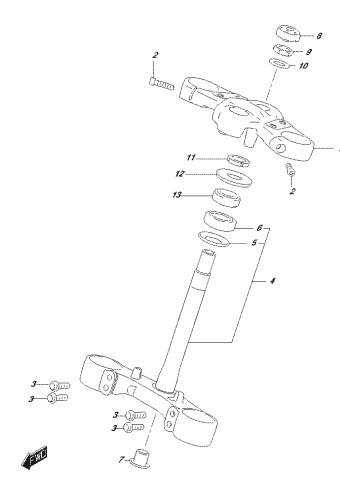
OSKORIFAM\_EEL\_0154  
SMA

FIG.521A



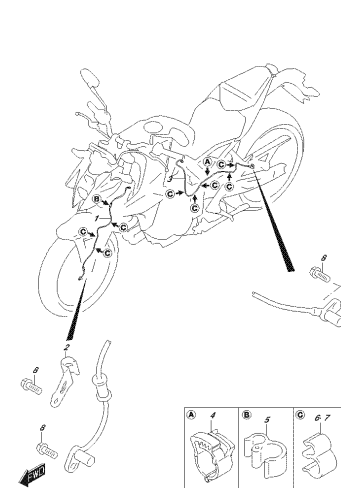
ISKROMFAM\_EE1\_S14  
FRONT FORK CARTRIDGE

FIG.524A



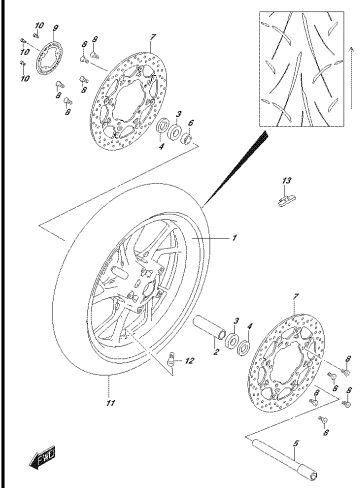
ISKROMFAM\_EE1\_S14  
STEERING STEM

FIG.526A



ISKROMFAM\_EE1\_S154  
SPREZEDNOVI

FIG.530A



ISKROMFAM\_EE1\_S154  
FRONT WHEEL

FIG.533A

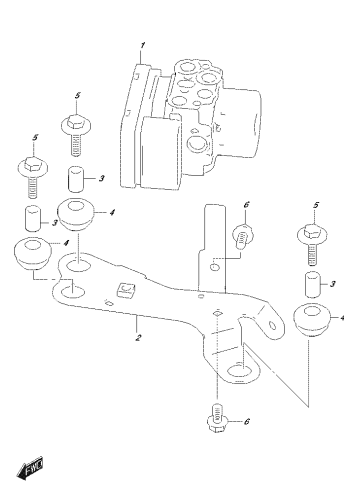
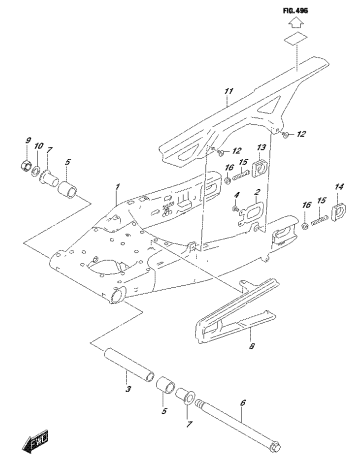
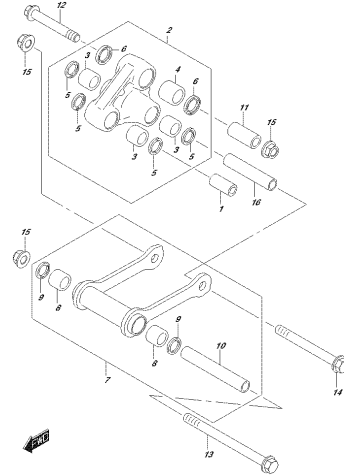


FIG.541A



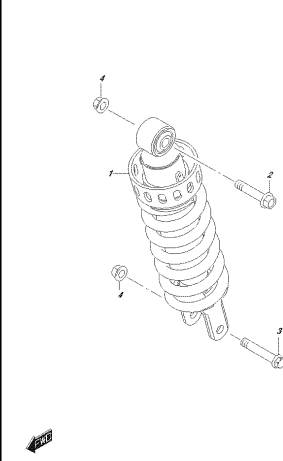
ISOBRAM\_EE1\_541A  
REAR SHOCKABSORBER

FIG.543A



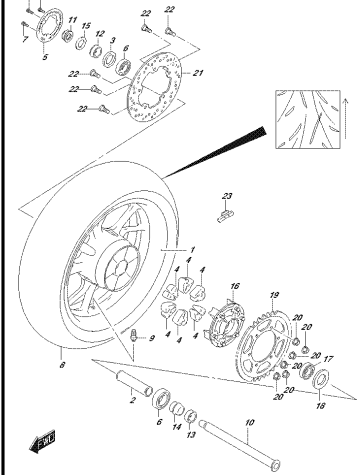
ISOBRAM\_EE1\_543A  
REAR COIL SPRING ASSEMBLY

FIG.545A



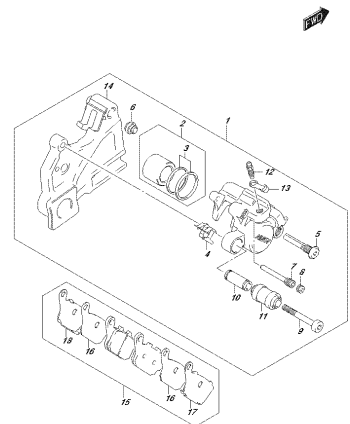
ISOBRAM\_EE1\_545A  
REAR SHOCKABSORBER

FIG.550A



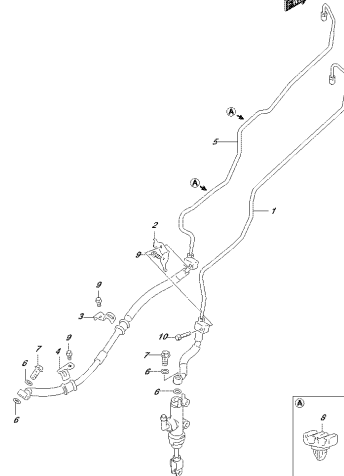
ISOBRAM\_EE1\_550A  
REAR WHEEL

FIG.555A



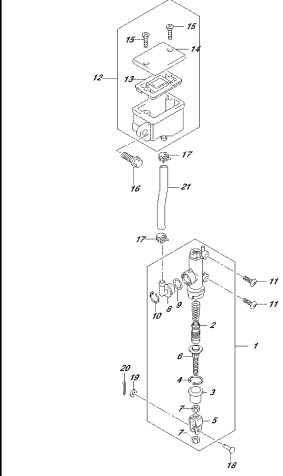
ISOBRAM\_EE1\_555A  
REAR AXLE

FIG.557A



ISOBRAM\_EE1\_557A  
REAR SHOCKABSORBER

FIG.558A



ISOBRAM\_EE1\_558A  
REAR MASTER CYLINDER

FIG.101A

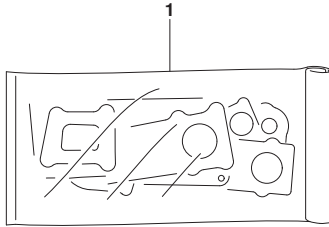
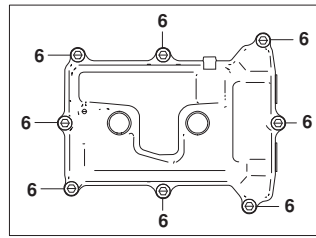


FIG.101A (1-B-2) GASKET SET

REF NO.	PART NO.	DESCRIPTION	Q'TY	REMARKS
1	11400-25821	GASKET SET	1	OPT
2	11141-25L10	.GASKET,CYLINDER HEAD	1	OPT,NOT ILLUSTRATED
3	11173-25L00	.GASKET,CYL HEAD COVER NO.1	1	OPT,NOT ILLUSTRATED
4	11177-25L00	.GASKET,BREATHER PLATE	1	OPT,NOT ILLUSTRATED
5	11178-33E00	.GASKET,CYL HEAD COVER NO.2	1	OPT,NOT ILLUSTRATED
6	11241-25L10	.GASKET,CYLINDER	1	OPT,NOT ILLUSTRATED
7	11482-25L00	.GASKET,CLUTCH COVER	1	OPT,NOT ILLUSTRATED
8	11483-25L00	.GASKET,MAGNETO COVER	1	OPT,NOT ILLUSTRATED
9	11489-25L00	.GASKET,OIL PAN	1	OPT,NOT ILLUSTRATED
10	12837-25L00	.GASKET,TENSIONER ADJUSTER	1	OPT,NOT ILLUSTRATED
11	14181-04K00	.GASKET,EXHAUST PIPE	1	OPT,NOT ILLUSTRATED
12	16611-48K00	.O-RING,OIL COOLER	1	OPT,NOT ILLUSTRATED
13	17421-25L00	.GASKET,WATER PUMP	1	OPT,NOT ILLUSTRATED
14	17431-25L00	.O-RING,WATER PUMP	1	OPT,NOT ILLUSTRATED
15	17861-25L00	.O-RING,WATER CONNECTOR	1	OPT,NOT ILLUSTRATED

FIG.102A



VIEW A

FIG.102A (1-B-3) CYLINDER HEAD COVER

REF NO.	PART NO.	DESCRIPTION	Q'TY	REMARKS
1	11170-25L00	COVER,CYLINDER HEAD	1	
2	11173-25L00	GASKET,CYL HEAD COVER NO.1	1	
3	11176-25L00	PLATE,BREATHER	1	
4	11177-25L00	GASKET,BREATHER PLATE	1	
5	11178-33E00	GASKET,CYL HEAD COVER NO.2	2	
6	11178-69L00	BOLT,CYLINDER HEAD COVER	8	
7	09100-05022	BOLT	5	

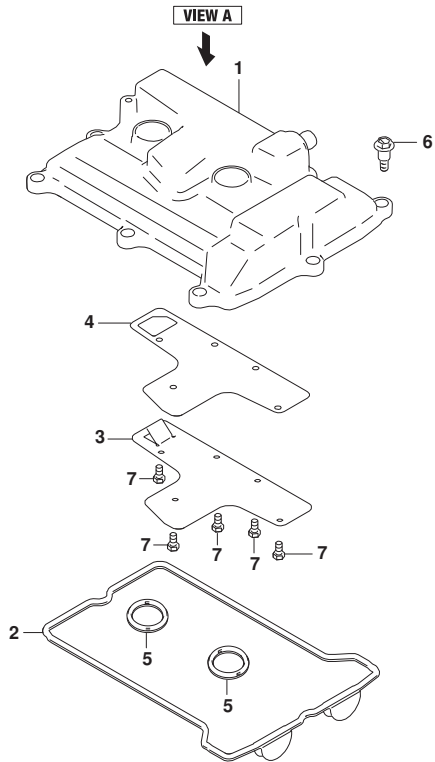
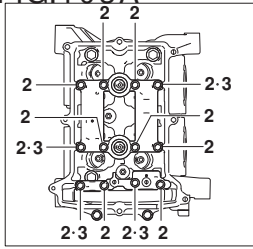
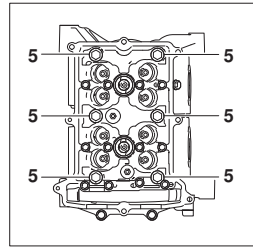


FIG.103A



VIEW A



VIEW B

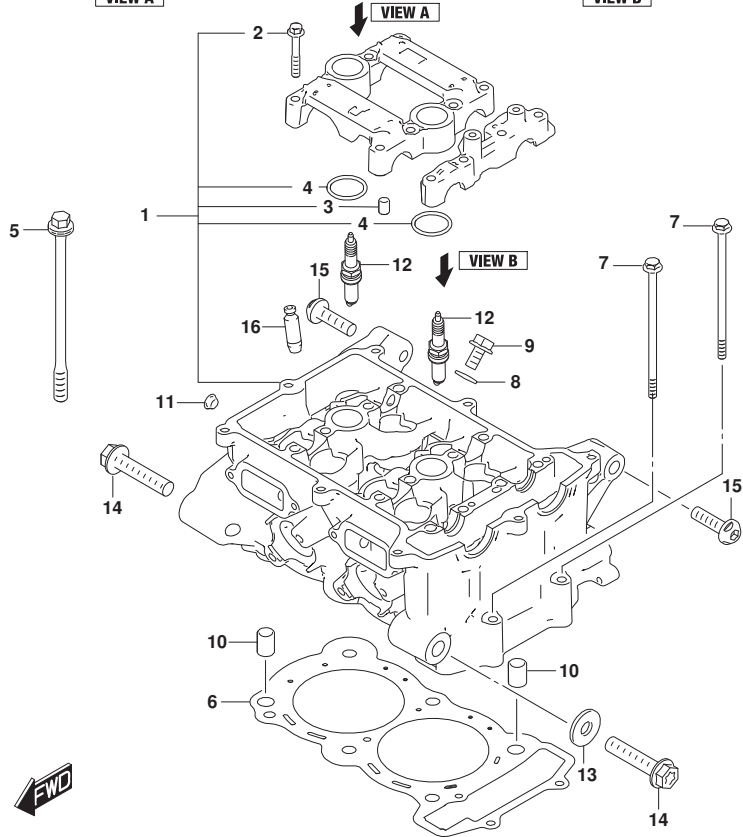


FIG.103A (1-B-4) CYLINDER HEAD

REF NO.	PART NO.	DESCRIPTION	Q'TY	REMARKS
1	11100-25L00	HEAD ASSY,CYLINDER	1	
2	09103-06266	.BOLT (6X40)	12	
3	09206-08001	.PIN (8X11)	4	
4	09280-26007	.O-RING (ID:25.7,DD:2.4)	2	
5	11117-44H00	BOLT,CYL HEAD (L:160)	6	
6	11141-25L10	GASKET,CYLINDER HEAD	1	
7	09103-06148	BOLT (6X120)	2	
8	09168-06023	GASKET (5.8X13X1.2)	1	
9	01550-0612A	BOLT	1	
10	04211-13189	PIN (10.4X13X18)	2	
11	09250-08012	CAP (OD:12)	1	
12	09482-00635	PLUG,SPARK (LMAR8BI-9)	2	
13	11611-25L00	WASHER,ENG MTG FR,L	1	
14	09103-12145	BOLT (L:55)	2	
15	09106-10102	BOLT (L:35)	2	
16	11115-25L70	GUIDE,VALVE OS 0.3	8	OPT



FIG.107A

FIG.107A (1-B-5) CYLINDER

REF NO.	PART NO.	DESCRIPTION	Q'TY	REMARKS
1	11210-25L00-0F0	CYLINDER	1	
2	11241-25L10	GASKET,CYLINDER	1	
3	04211-11169	PIN	2	

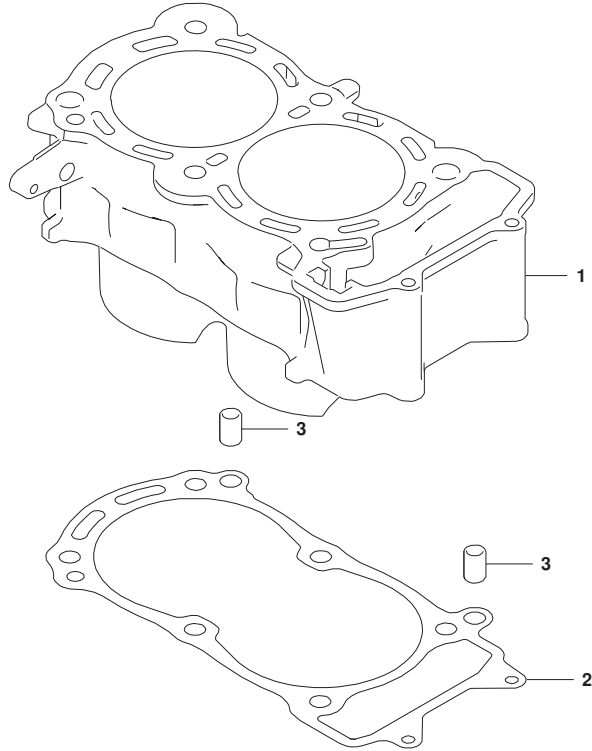


FIG.108A

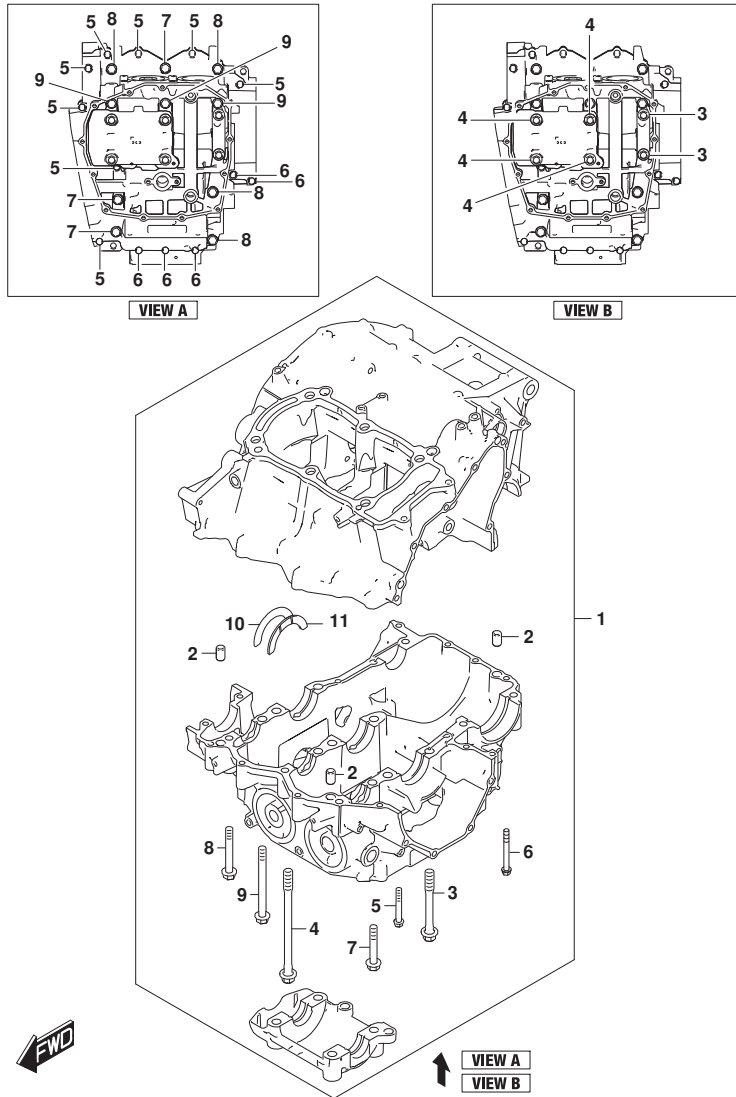


FIG.108A (1-B-6) CRANKCASE

REF NO.	PART NO.	DESCRIPTION	Q'TY	REMARKS
1	11300-25820	CRANKCASE SET	1	
2	11319-33E50	.PIN,CRANKCASE	3	
3	11322-25L00	.BOLT,CRANKCASE	2	
4	11323-25L00	.BOLT,CRANKCASE	4	
5	01547-0645A	.BOLT	8	
6	01547-0655A	.BOLT	5	
7	01550-0850A	.BOLT	3	
8	01550-0860A	.BOLT	4	
9	01550-0895A	.BOLT	3	
10	12228-24F00-0D0	BEARING,CRANK THRUST (GREEN)	1	
11-1	12228-24F00-0A0	BEARING,CRANK THRUST,L (RED)	1	
11-2	12228-24F00-0B0	BEARING,CRANK THRUST,L (BLACK)	1	
11-3	12228-24F00-0C0	BEARING,CRANK THRUST,L (BLUE)	1	
11-4	12228-24F00-0D0	BEARING,CRANK THRUST (GREEN)	1	
11-5	12228-24F00-0E0	BEARING,CRANK THRUST,L (YELLOW )	1	
11-6	12228-24F00-0F0	BEARING,CRANK THRUST,L (WHITE)	1	

FIG.109A

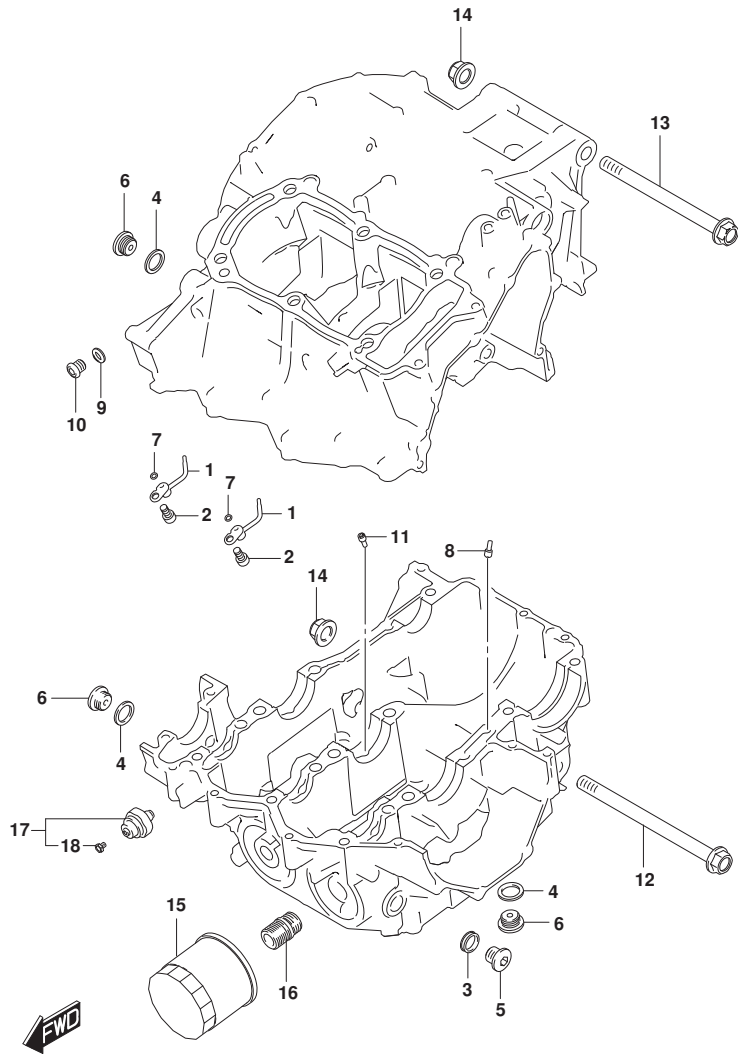


FIG.109A (1-B-7) CRANKCASE (2)

REF NO.	PART NO.	DESCRIPTION	Q'TY	REMARKS
1	11390-25L00	JET,PISTON COOLING	2	
2	09106-06075	BOLT (6X12)	2	
3	09168-14002	GASKET (13.8X18.8X4.8)	1	
4	09168-16002	GASKET (16X22X2)	3	
5	09248-14011	PLUG (14X12)	1	
6	09248-16012	PLUG (16X8)	3	
7	09280-04004	O-RING (D:1.2,ID:4)	2	
8	09493-28012	JET (#140)	1	
9	09168-10002	GASKET (10X14X3.6)	1	
10	09248-10010	PLUG (10X10)	1	
11	09493-22010	JET,AIR	1	
12	09103-12143	BOLT (L:165)	1	
13	09103-12144	BOLT (L:145)	1	
14	09159-12072	NUT	2	
15	16510-07J00	FILTER ASSY,ENGINE OIL (P1.0)	1	
16	16591-06B01	UNION,OIL STAND	1	
17	37820-33D11	SWITCH ASSY,OIL PRESSURE	1	
18	37822-33D00	.BOLT,OIL PRESSURE SWITCH	1	

FIG.113A

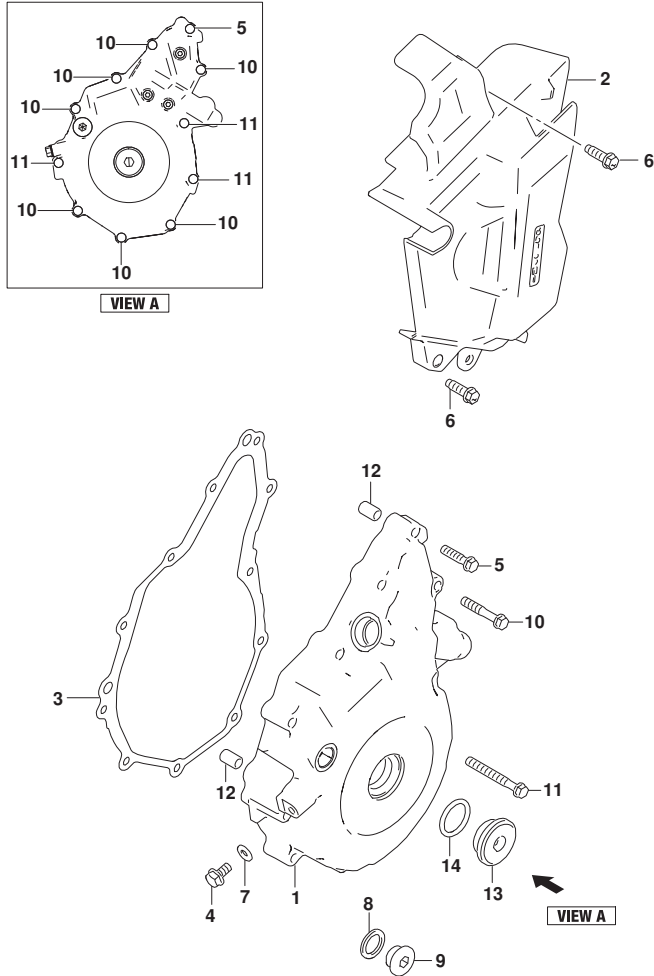
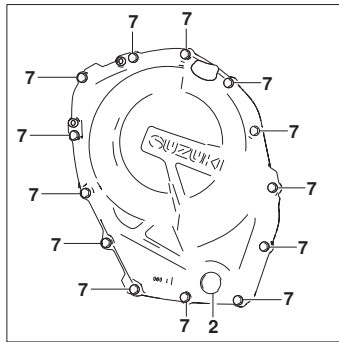


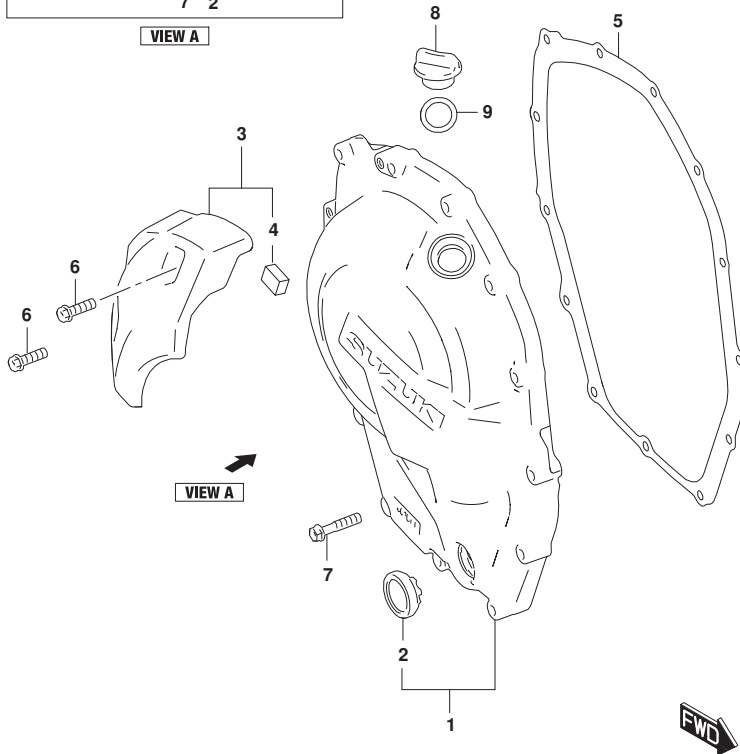
FIG.113A (1-B-8) MAGNETO COVER

REF NO.	PART NO.	DESCRIPTION	Q'TY	REMARKS
1	11351-25L10	COVER,MAGNETO	1	
2	11360-25L10	COVER,ENG SPROCKET	1	
3	11483-25L00	GASKET,MAGNETO COVER	1	
4	09103-06222	BOLT (6X12)	1	
5	09103-06528	BOLT (6X25)	1	
6	09135-06035	BOLT	2	
7	09168-06018	GASKET (6.2X13X1.2)	1	
8	09168-16002	GASKET (16X22X2)	1	
9	09248-16012	PLUG (16X8)	1	
10	09103-06530	BOLT (L:35)	7	
11	09103-06533	BOLT (6X50)	3	
12	04211-09149	PIN (8.5X18X2.3)	2	
13	09259-26012	PLUG	1	
14	09280-22008	O-RING (D:3.1,ID:22.7)	1	

FIG.114A



VIEW A



VIEW A

FIG.114A (1-B-9) CLUTCH COVER

REF NO.	PART NO.	DESCRIPTION	Q'TY	REMARKS
1	11340-25L10	COVER,CLUTCH	1	
2	11971-48H00	.LENS,OIL LEVEL CHECK	1	
3	11370-25L00	PROTECTOR,CLUTCH COVER	1	
4	94531-20K00	.CUSHION,UNDER COWL	2	
5	11482-25L00	GASKET,CLUTCH COVER	1	
6	09103-06527	BOLT (6X20)	2	
7	09103-06529	BOLT (6X30)	13	
8	11971-25D00	PLUG,ENGINE OIL FILLER	1	
9	09280-17003	O-RING (D:3.1,ID:16.8)	1	

FIG.116A

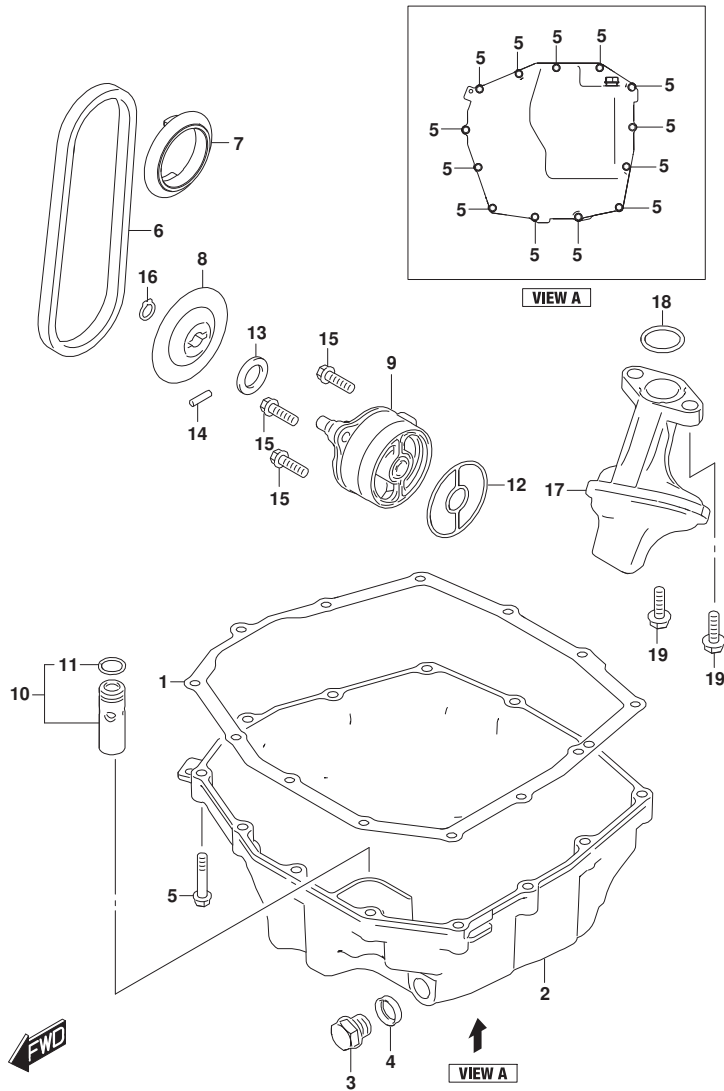


FIG.116A (1-B-10) OIL PAN/OIL PUMP

REF NO.	PART NO.	DESCRIPTION	Q'TY	REMARKS
1	11489-25L00	GASKET,OIL PAN	1	
2	11511-25L00	PAN,OIL	1	
3	09247-14036	PLUG (14X20)	1	OIL DRAIN
4	09168-14002	GASKET (13.8X18.8X4.8)	1	OIL DRAIN
5	01547-0630A	BOLT	13	
6	16310-25L00	CHAIN ASSY,OIL PUMP DRIVE	1	
7	16321-01H00	SPROCKET,OIL PUMP DRIVE (NT:27 )	1	
8	16331-25L00	SPROCKET,OIL PUMP DRIVEN	1	
9	16400-25L00	PUMP ASSY,ENG OIL	1	
10	16440-24F00	VALVE ASSY,OIL RELIEF (7K)	1	
11	09280-13004	O-RING (D:1.9,ID:13)	1	
12	16491-33E00	O-RING	1	
13	09181-10158	SHIM (10X18X0.5)	1	
14	09261-04009	PIN (4X15.8)	1	
15	01547-0620A	BOLT	3	
16	08331-31109	CIRCLIP	1	
17	16520-25L00	STRAINER,ENG OIL	1	
18	09280-22024	O-RING	1	
19	01550-0620A	BOLT (6X20)	2	

FIG.120A

FIG.120A (1-B-11) CRANKSHAFT

REF NO.	PART NO.	DESCRIPTION	Q'TY	REMARKS
1	12111-25L00-0F0	PISTON	2	
2	12140-25L00	RING SET,PISTON	2	
3	12151-07D10	PIN,PISTON	2	
4	09381-18002	CIRCLIP (OD:20.5)	4	
5	12160-25L00	CONNROD ASSY	2	
6	12163-24F10	.BOLT,CONNECTING ROD	4	
7	04221-04089	.PIN (4X13.8)	4	
8-1	12164-46E10-0A0	BEARING,CRANK PIN (GREEN)	4	
8-2	12164-46E10-0B0	BEARING,CRANK PIN (BLACK)	4	
8-3	12164-46E10-0C0	BEARING,CRANK PIN (BROWN)	4	
8-4	12164-46E10-0D0	BEARING,CRANK PIN (YELLOW)	4	
9	12000-25810	CRANKSHAFT SET	1	
10	12228-24F00-0D0	BEARING,CRANK THRUST (GREEN)	1	
11-1	12228-24F00-0A0	BEARING,CRANK THRUST,L (RED)	1	
11-2	12228-24F00-0B0	BEARING,CRANK THRUST,L (BLACK)	1	
11-3	12228-24F00-0C0	BEARING,CRANK THRUST,L (BLUE)	1	
11-4	12228-24F00-0D0	BEARING,CRANK THRUST (GREEN)	1	
11-5	12228-24F00-0E0	BEARING,CRANK THRUST,L (YELLOW)	1	
11-6	12228-24F00-0F0	BEARING,CRANK THRUST,L (WHITE)	1	
12-1	12229-25L00-0A0	BEARING,CRANKSHAFT (GREEN)	6	
12-2	12229-25L00-0B0	BEARING,CRANKSHAFT (BLACK)	6	
12-3	12229-25L00-0C0	BEARING,CRANKSHAFT (BROWN)	6	
12-4	12229-25L00-0D0	BEARING,CRANKSHAFT (YELLOW)	6	
12-5	12229-25L00-0E0	BEARING,CRANKSHAFT (BLUE)	6	
13	21111-25L00	GEAR,PRIMARY DRIVE	1	
14	21112-25L00	GEAR,PRIMARY DRIVE SCISSORS	1	
15	21114-25L00	WASHER,PRI DRIVE SCISSORS WAVE	1	
16	09440-07081	SPRING	3	
17	08331-31409	CIRCLIP	1	
18	09103-10338	BOLT (10X19)	1	
19	21121-25L00	SPACER,PRIMARY DRIVE GEAR	1	

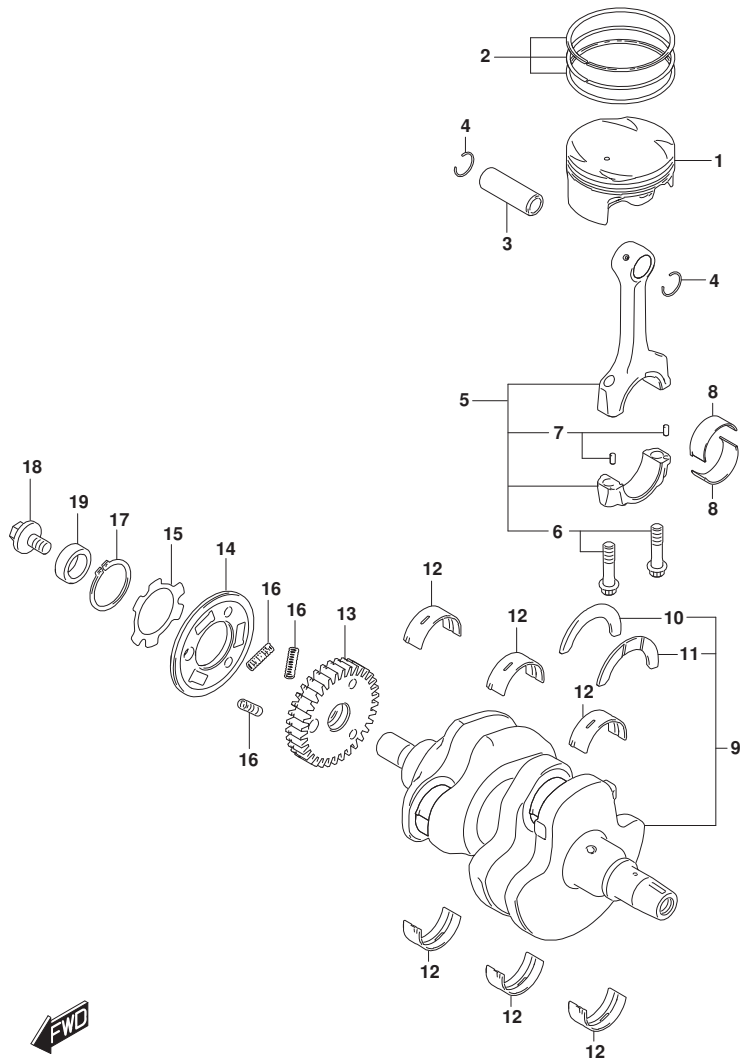


FIG.122A

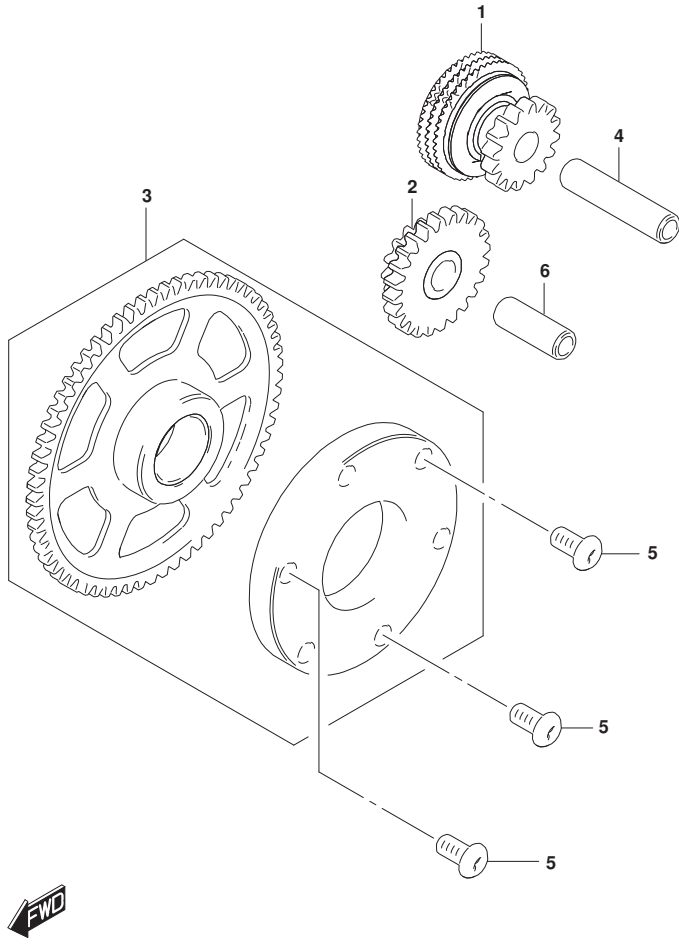


FIG.122A (1-B-12) STARTER CLUTCH

REF NO.	PART NO.	DESCRIPTION	Q'TY	REMARKS
1	12600-25L00	LIMITER ASSY,START ID GR NO.1	1	
2	12610-25L00	GEAR,STARTER IDLE NO.2 (NT:14)	1	
3	12600-25840	CLUTCH SET,STARTER	1	
4	12615-24F00	PIN,STARTER IDLE GEAR NO.1	1	
5	12615-25L00	BOLT,STARTER CLUTCH	3	
6	09206-12007	PIN (8X12X33)	1	



FIG.124A

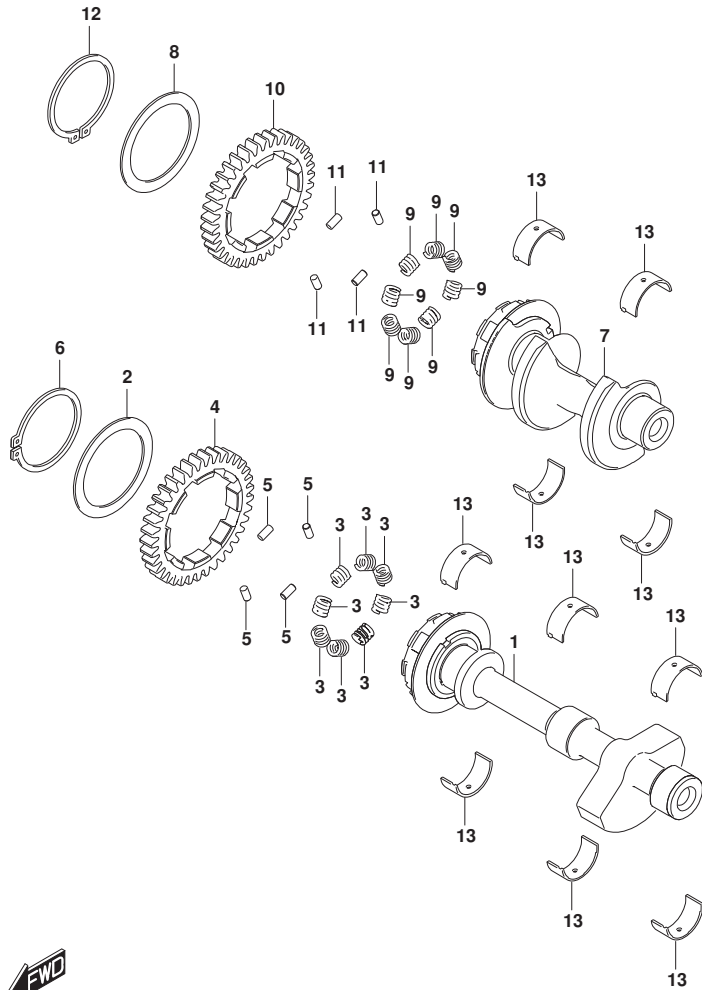


FIG.124A (1-B-13) CRANK BALANCER

REF NO.	PART NO.	DESCRIPTION	Q'TY	REMARKS
1	12601-25L10	BALANCER,CRANK NO.1	1	
2	12662-25L10	WASHER,CRK BAL DRIVEN GR NO.2	1	
3	12663-25L00	SPRING,CRANK BAL DRIVEN GEAR	8	
4	12666-25L00	GEAR,CRANK BALANCER DRIVEN (NT :37)	1	
5	09202-04017	PIN (4.5X9.5)	4	
6	08331-31529	CIRCLIP	1	
7	12602-25L10	BALANCER,CRANK NO.2	1	
8	12662-25L10	WASHER,CRK BAL DRIVEN GR NO.2	1	
9	12663-25L00	SPRING,CRANK BAL DRIVEN GEAR	8	
10	12666-25L00	GEAR,CRANK BALANCER DRIVEN (NT :37)	1	
11	09202-04017	PIN (4.5X9.5)	4	
12	08331-31529	CIRCLIP	1	
13-1	12229-25L10-0A0	BEARING,CRANK BALANCER	10	
13-2	12229-25L10-0B0	BEARING,CRANK BALANCER	10	
13-3	12229-25L10-0C0	BEARING,CRANK BALANCER	10	
13-4	12229-25L10-0D0	BEARING,CRANK BALANCER	10	

FIG.126A

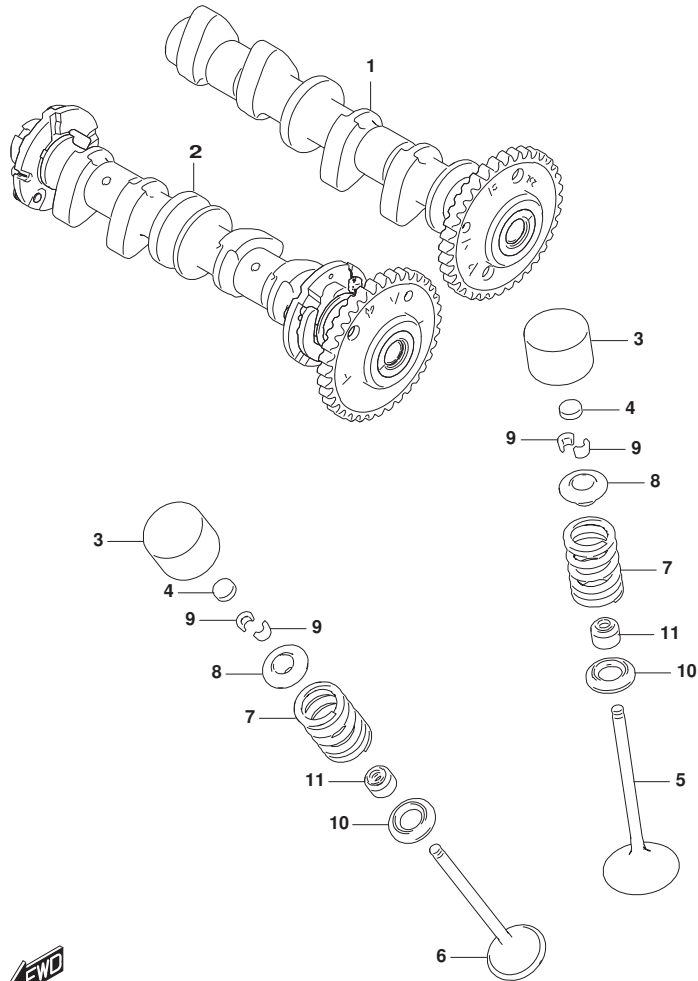


FIG.126A (1-B-14) CAMSHAFT/VALVE

REF NO.	PART NO.	DESCRIPTION	Q'TY	REMARKS
1	12701-25L00	CAMSHAFT,INTAKE	1	
2	12702-25L01	CAMSHAFT,EXHAUST	1	
3	12891-02F10	TAPPET	8	
4-1	12892-41C00-230	SHIM,TAPPET (T:2.30)	8	
4-2	12892-41C00-232	SHIM,TAPPET (T:2.32)	8	
4-3	12892-41C00-235	SHIM,TAPPET (T:2.35)	8	
4-4	12892-41C00-238	SHIM,TAPPET (T:2.38)	8	
4-5	12892-41C00-240	SHIM,TAPPET (T:2.40)	8	
4-6	12892-41C00-242	SHIM,TAPPET (T:2.42)	8	
4-7	12892-41C00-245	SHIM,TAPPET (T:2.45)	8	
4-8	12892-41C00-248	SHIM,TAPPET (T:2.48)	8	
4-9	12892-41C00-250	SHIM,TAPPET (T:2.50)	8	
4-10	12892-41C00-252	SHIM,TAPPET (T:2.52)	8	
4-11	12892-41C00-255	SHIM,TAPPET (T:2.55)	8	
4-12	12892-41C00-258	SHIM,TAPPET (T:2.58)	8	
4-13	12892-41C00-260	SHIM,TAPPET (T:2.60)	8	
4-14	12892-41C00-262	SHIM,TAPPET (T:2.62)	8	
4-15	12892-41C00-265	SHIM,TAPPET (T:2.65)	8	
4-16	12892-41C00-268	SHIM,TAPPET (T:2.68)	8	
4-17	12892-41C00-270	SHIM,TAPPET (T:2.70)	8	
4-18	12892-41C00-272	SHIM,TAPPET (T:2.72)	8	
4-19	12892-41C00-275	SHIM,TAPPET (T:2.75)	8	
4-20	12892-41C00-278	SHIM,TAPPET (T:2.78)	8	
4-21	12892-41C00-280	SHIM,TAPPET (T:2.80)	8	
4-22	12892-41C00-282	SHIM,TAPPET (T:2.82)	8	
4-23	12892-41C00-285	SHIM,TAPPET (T:2.85)	8	
4-24	12892-41C00-288	SHIM,TAPPET (T:2.88)	8	
4-25	12892-41C00-290	SHIM,TAPPET (T:2.90)	8	
4-26	12892-41C00-292	SHIM,TAPPET (T:2.92)	8	
4-27	12892-41C00-295	SHIM,TAPPET (T:2.95)	8	
4-28	12892-41C00-298	SHIM,TAPPET (T:2.98)	8	
4-29	12892-41C00-300	SHIM,TAPPET (T:3.00)	8	
4-30	12892-41C00-302	SHIM,TAPPET (T:3.02)	8	
4-31	12892-41C00-305	SHIM,TAPPET (T:3.05)	8	
4-32	12892-41C00-308	SHIM,TAPPET (T:3.08)	8	

FIG.126A

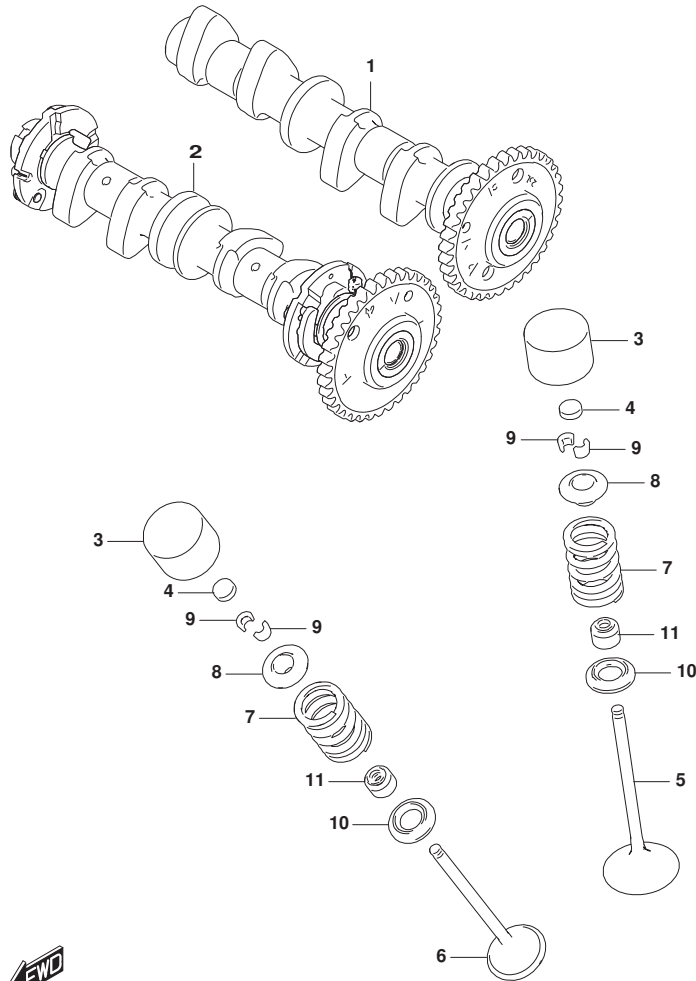


FIG.126A (1-B-15) CAMSHAFT/VALVE

REF NO.	PART NO.	DESCRIPTION	Q'TY	REMARKS
4-33	12892-41C00-310	SHIM,TAPPET (T:3.10)	8	
4-34	12892-41C00-312	SHIM,TAPPET (T:3.12)	8	
4-35	12892-41C00-315	SHIM,TAPPET (T:3.15)	8	
4-36	12892-41C00-318	SHIM,TAPPET (T:3.18)	8	
4-37	12892-41C00-320	SHIM,TAPPET (T:3.20)	8	
4-38	12892-41C00-322	SHIM,TAPPET (T:3.22)	8	
4-39	12892-41C00-325	SHIM,TAPPET (T:3.25)	8	
4-40	12892-41C00-328	SHIM,TAPPET (T:3.28)	8	
4-41	12892-41C00-330	SHIM,TAPPET (T:3.30)	8	
4-42	12892-41C00-332	SHIM,TAPPET (T:3.32)	8	
4-43	12892-41C00-335	SHIM,TAPPET (T:3.35)	8	
4-44	12892-41C00-338	SHIM,TAPPET (T:3.38)	8	
4-45	12892-41C00-340	SHIM,TAPPET (T:3.40)	8	
4-46	12892-41C00-342	SHIM,TAPPET (T:3.42)	8	
4-47	12892-41C00-345	SHIM,TAPPET (T:3.45)	8	
4-48	12892-41C00-348	SHIM,TAPPET (T:3.48)	8	
4-49	12892-41C00-350	SHIM,TAPPET (T:3.50)	8	
5	12911-25L00	VALVE,INTAKE	4	
6	12912-25L00	VALVE,EXHAUST	4	
7	12921-25L00	SPRING,VALVE	8	
8	12931-41K00	RETAINER,VALVE SPRING	8	
9	12932-27A00	COTTER,VALVE	16	
10	12933-25L00	SEAT,VALVE SPRING	8	
11	12934-69L00	SEAL,VALVE STEM	8	
12	12800-41810	SHIM SET,TAPPET (5PCS.EACH)	1	OPT,NOT ILLUSTRATED
13	99000-69471	.CASE,TAPPET SHIM	1	OPT,NOT ILLUSTRATED

FIG.127A

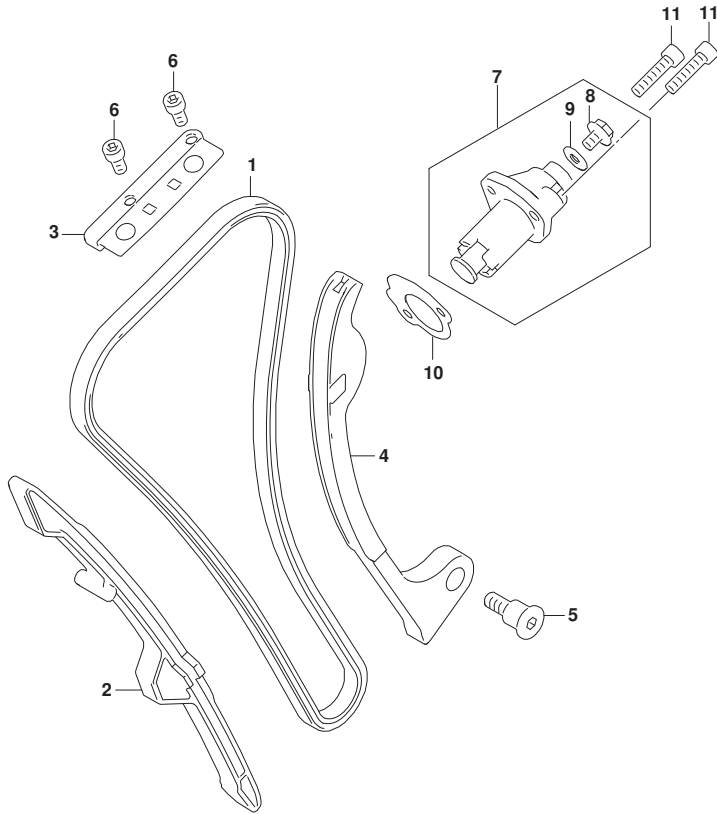


FIG.127A (1-B-16) CAM CHAIN

REF NO.	PART NO.	DESCRIPTION	Q'TY	REMARKS
1	12760-25L00	CHAIN,CAMSHAFT DRIVE	1	
2	12771-25L00	GUIDE,CAM CHAIN NO.1	1	
3	12782-25L00	GUIDE,CAM CHAIN NO.2	1	
4	12811-25L00	TENSIONER,CAM CHAIN	1	
5	12812-31G00	BOLT,CAM CHAIN TENSIONER	1	
6	07130-0612A	BOLT	2	
7	12830-25L00	ADJUSTER ASSY,TENSIONER	1	
8	12833-25L00	.PLUG,TENSIONER ADJUSTER	1	
9	12837-49H00	.GASKET,TENSIONER ADJUSTER	1	
10	12837-25L00	GASKET,TENSIONER ADJUSTER	1	
11	07130-0625B	BOLT	2	



FIG.140A

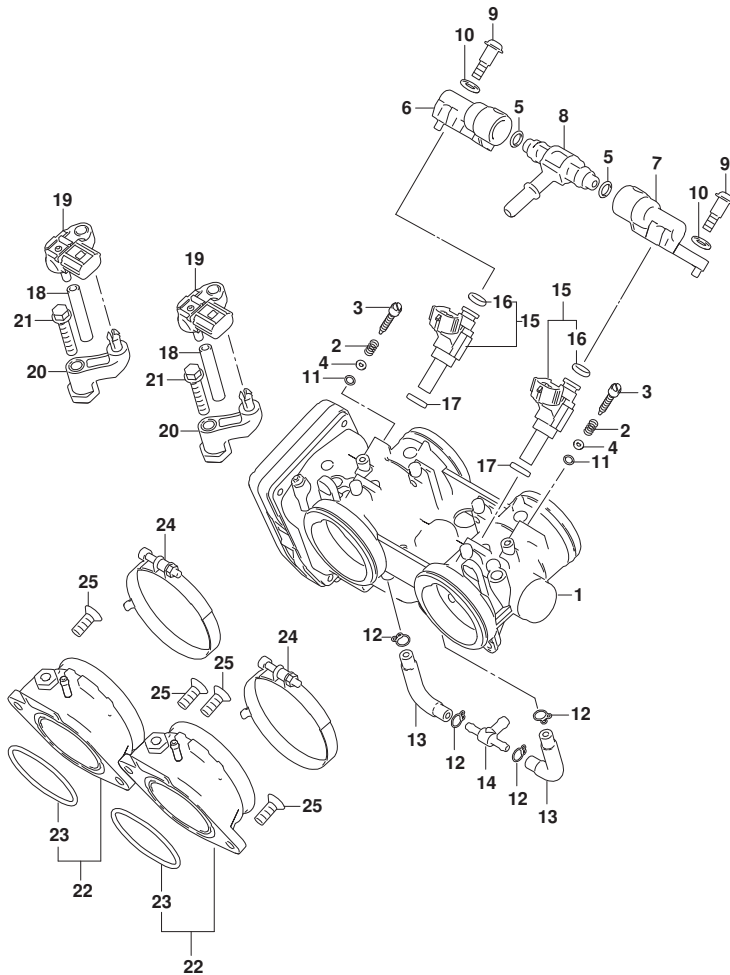


FIG.140A (1-C-2) THROTTLE BODY

REF NO.	PART NO.	DESCRIPTION	Q'TY	REMARKS
1	13405-25L00	MIXER ASSY	1	
2	13268-48700	SPRING,THROTTLE SCREW	2	
3	13269-33E00	SCREW	2	
4	13295-29901	O-RING	2	
5	13374-32G00	O-RING	2	
6	13471-25L00	DELIVERY PIPE	1	
7	13472-25L00	DELIVERY PIPE	1	
8	13473-25L00	NIPPLE	1	
9	13601-11J00	SCREW	2	
10	13602-29G01	PACKING	2	
11	13606-47A00	WASHER	2	
12	13671-12C00	CLIP	4	
13	13682-25L00	HOSE	2	
14	13685-04F10	NIPPLE	1	
15	15710-17K00	INJECTOR ASSY	2	
16	15717-58B00	.O-RING	2	
17	15722-14J00	SEAL	2	
18	09355-35007-030	HOSE	2	
19	18590-18K10	SENSOR,BOOST	2	
20	18596-25L00	BRACKET,AIR PRESSURE SENSOR	2	
21	01547-0630A	BOLT	2	
22	13101-25L00	PIPE ASSY,INTAKE	2	
23	13127-25L00	.O-RING,INTAKE PIPE	2	
24	13170-25L00	CLAMP,INTAKE PIPE	2	
25	02122-0616A	SCREW	4	

FIG.155A

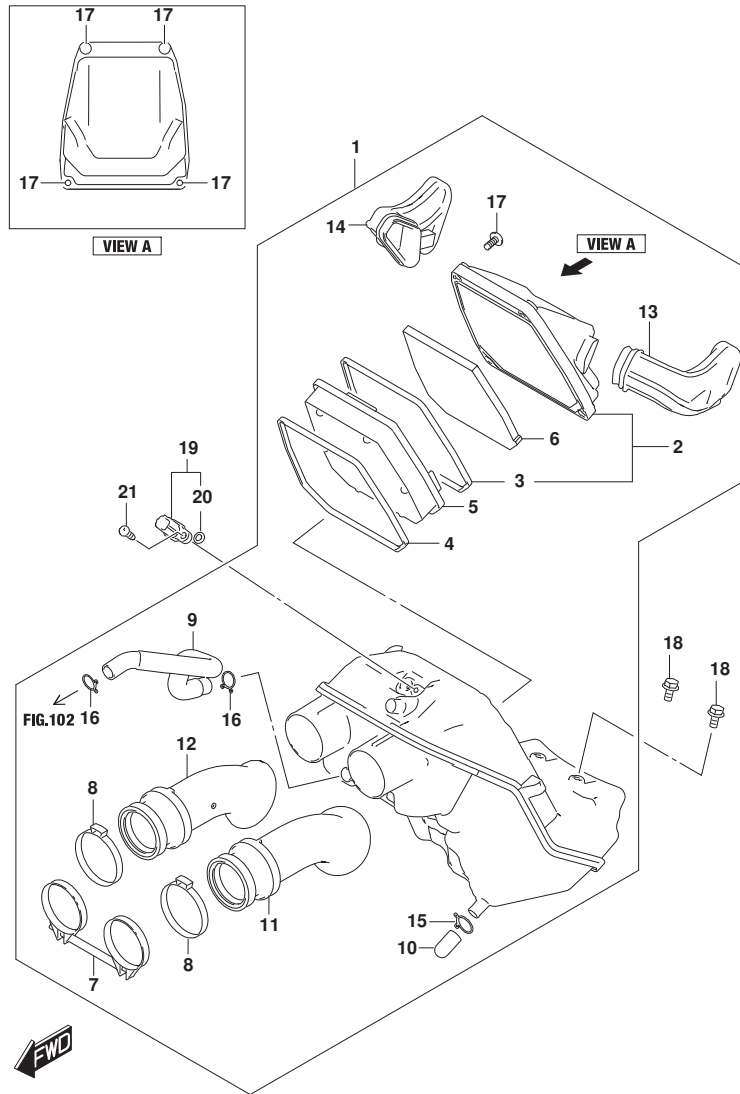


FIG.155A (1-C-3) AIR CLEANER

REF NO.	PART NO.	DESCRIPTION	Q'TY	REMARKS
1	13700-25L00	CLEANER ASSY,AIR	1	
2	13741-25L00	.CAP,AIR CLNR	1	
3	13746-25L00	.GASKET FILTER	1	
4	13746-25L00	.GASKET FILTER	1	
5	13780-25L00	.FILTER AIR CLNR	1	
6	13786-25L00	.PREFILTER	1	
7	13826-25L00	.CLAMP,AIR CLNR	1	
8	13827-25L00	.BAND,FRONT	2	
9	13850-25L00	.TUBE,BREATHER	1	
10	13878-10G01	.PLUG	1	
11	13881-25L00	.TUBE,OUTLET L	1	
12	13882-25L00	.TUBE,OUTLET R	1	
13	13891-25L00	.TUBE,INLET L	1	
14	13892-25L00	.TUBE,INLET R	1	
15	09401-14101	.CLIP (ID:14.5)	1	
16	09401-16401	.CLIP (ID:16.5)	2	
17	02142-0520A	.SCREW	4	
18	01550-0612A	BOLT	2	
19	13650-41F10	SENSOR,AIR TEMP	1	
20	13655-41F10	O-RING	1	
21	03511-0516A	SCREW	1	

FIG.163A

FIG.163A (1-C-4) MUFFLER

REF NO.	PART NO.	DESCRIPTION	Q'TY	REMARKS
1	14100-25L00	EXHAUST	1	
2	14181-04K00	GASKET,EXHAUST PIPE	2	
3	14760-25L00	BRACKET,CHAMBER SPRT R	1	
4	14770-25L00	BRACKET,CHAMBER SPRT L	1	
5	09106-08178	BOLT (8X25)	4	
6	09116-08176	BOLT	2	
7	09180-08152	SPACER (8.6X12X24.2)	2	
8	09320-12077	CUSHION (12X30X24)	2	
9	01550-0816B	BOLT	1	
10	01550-1030B	BOLT	1	
11	14781-25L00	COVER,CHAMBER	1	
12	14785-25L00	SHIELD,CHAMBER COV HEAT	1	
13	14786-25L01	SHIELD,CHAMBER COV HEAT NO.2	1	
14	14790-25L00	STAY,CHAMBER RR COV	1	
15	14795-10FA0	GROMMET	2	
16	09132-05068	SCREW	2	
17	09139-06240	SCREW	1	
18	09180-06256	SPACER (6.5X9X5.7)	1	
19	09320-08066	CUSHION (8.4X18X6)	2	
20	18213-25L40	SENSOR,OXYGEN	1	

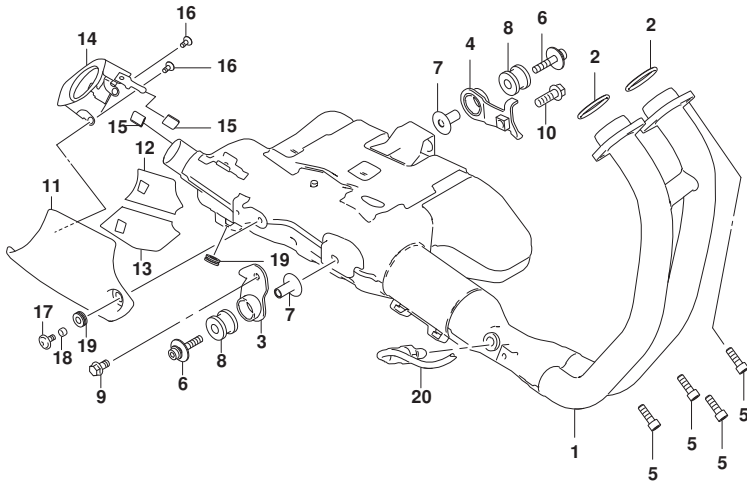


FIG.172A

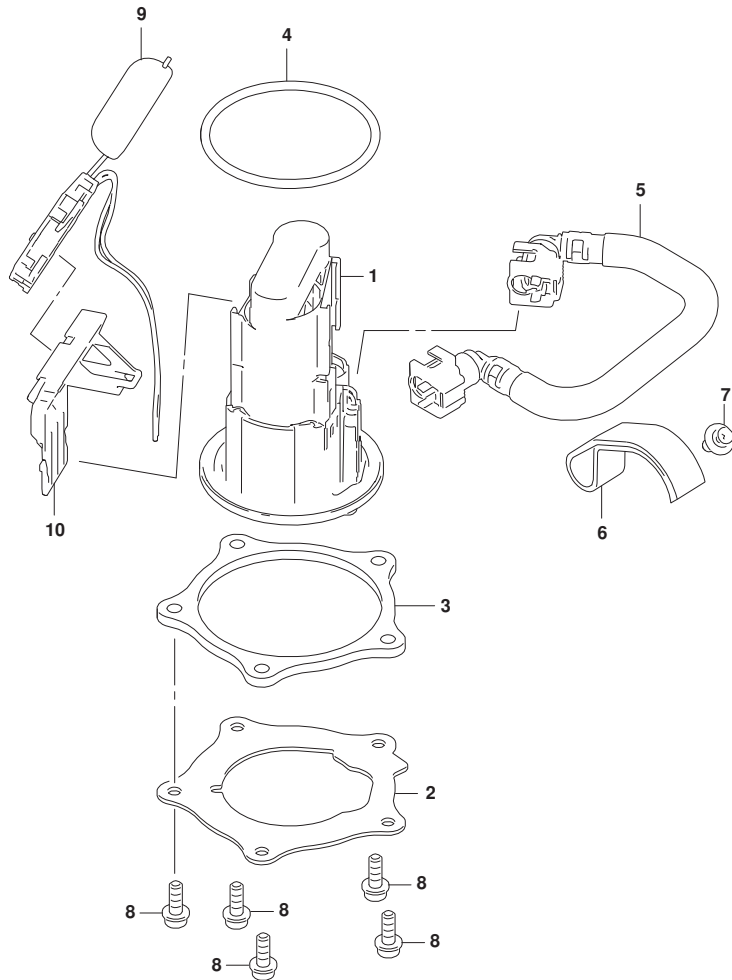


FIG.172A (1-C-5) FUEL PUMP

REF NO.	PART NO.	DESCRIPTION	Q'TY	REMARKS
1	15100-25L00	PUMP ASSY,FUEL	1	
2	15121-25L00	PLATE,FUEL PUMP OUTER	1	
3	15122-17K00	PLATE,FUEL PUMP INNER	1	
4	15201-07L00	O-RING,FUEL PUMP	1	
5	15810-25L00	HOSE,FUEL	1	
6	15821-25L00	CLAMP,FUEL HOSE	1	
7	09409-06347	CLIP	1	
8	07120-0616A	BOLT	5	
9	34810-25L00	GAUGE ASSY,FUEL LEVEL SENDER	1	
10	34815-25L00	ATTACHMENT,FUEL LEVEL SENDER	1	



FIG.178A

FIG.178A (1-C-6) OIL COOLER

REF NO.	PART NO.	DESCRIPTION	Q'TY	REMARKS
1	16600-25L00	COOLER ASSY,OIL	1	
2	16611-48K00	O-RING,OIL COOLER	1	
3	07120-0620A	BOLT	4	
4	16461-25L00	HOSE,OIL COOLER WATER INLET	1	
5	16471-25L00	HOSE,OIL COOLER WATER OUTLET	1	
6	09401-16407	CLIP (ID:16.5)	4	

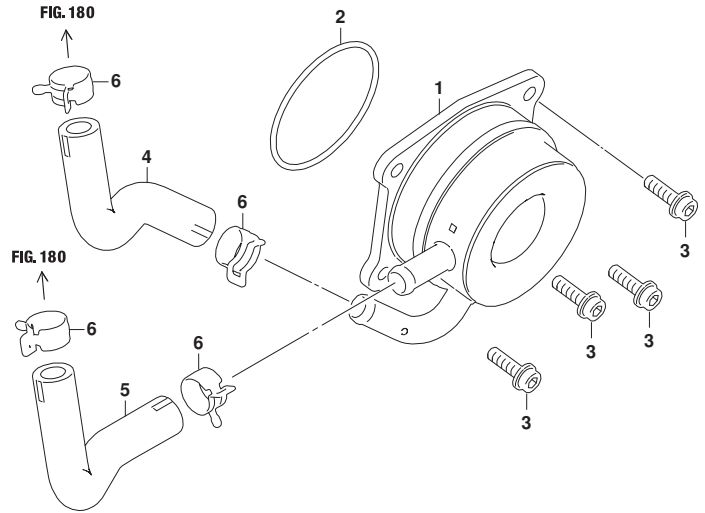


FIG.180A

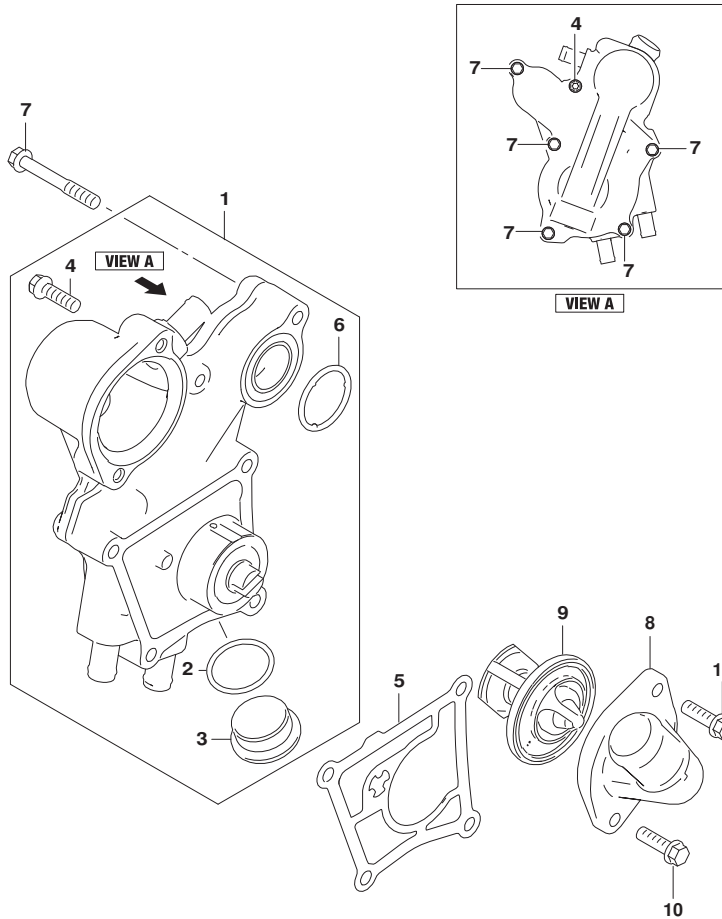


FIG.180A (1-C-7) WATER PUMP

REF NO.	PART NO.	DESCRIPTION	Q'TY	REMARKS
1	17400-25L00	PUMP ASSY,WATER	1	
2	11217-85FA0	.GASKET,PLUG (26.5X30.5X1)	1	
3	09248-26001	.PLUG (26X11)	1	
4	09103-06527	.BOLT (6X20)	1	
5	17421-25L00	GASKET,WATER PUMP	1	
6	17431-25L00	O-RING,WATER PUMP	1	
7	09103-06532	BOLT (L:45)	5	
8	17661-25L00	CAP,THERMOSTAT	1	
9	17670-81AB1	THERMOSTAT,WTR 82 DEG	1	
10	01547-0620A	BOLT	2	



FIG.185A

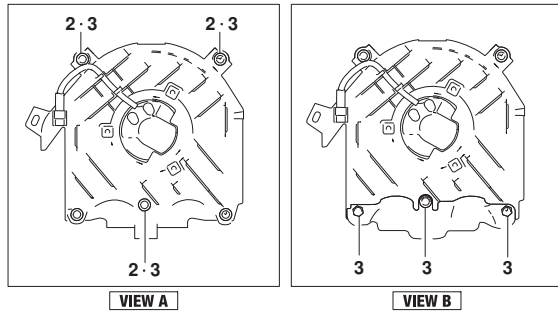


FIG.185A (1-C-8) RADIATOR

REF NO.	PART NO.	DESCRIPTION	Q'TY	REMARKS
1	17700-25L10	.RADIATOR COMP	1	
2	17711-14G00	.BOLT,FAN ASSY	6	
3	17802-14F00	.NUT,RADIATOR FAN	3	
4	17810-25L00	.SHROUD FAN ASSY	1	
5	17812-25L00	.PLATE	1	
6	09320-10051	.CUSHION	3	
7	17730-14G00	CAP,RADIATOR (1.1)	1	
8	17740-25L00	BRACKET,RADIATOR UPPER	1	
9	17750-25L00	BRACKET,RADIATOR LOWER	1	
10	09118-06097	BOLT (6X25)	3	
11	09180-06290	SPACER (6.5X10X12)	3	
12	09329-18001	CUSHION	4	
13	01550-0616A	BOLT	1	
14	02162-0612A	SCREW	2	

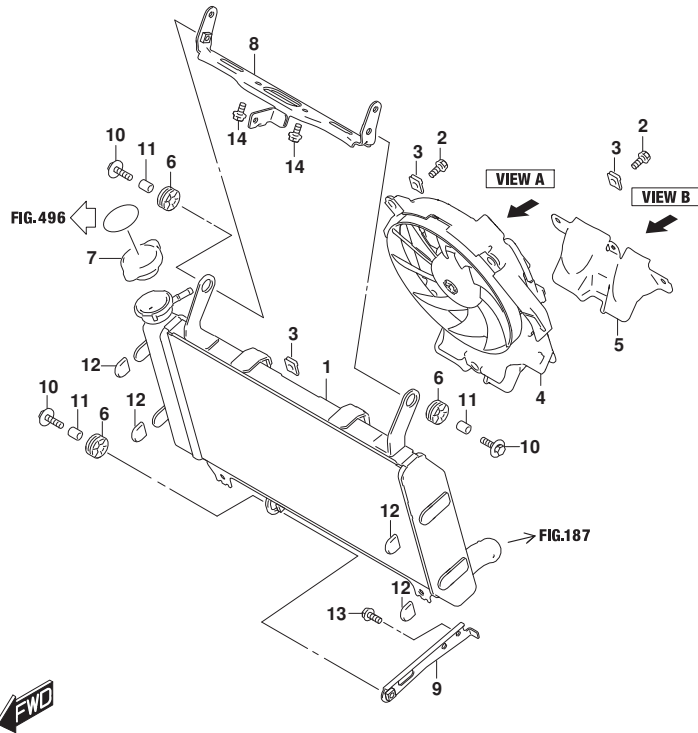


FIG.187A

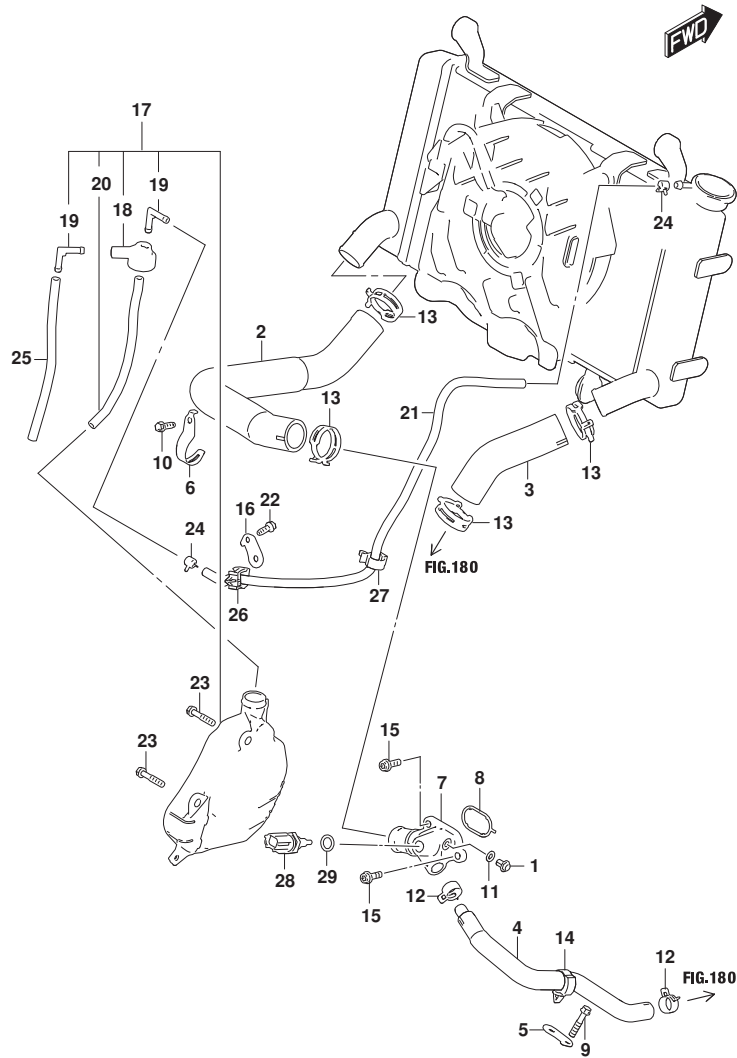


FIG.187A (1-C-9) RADIATOR HOSE

REF NO.	PART NO.	DESCRIPTION	Q'TY	REMARKS
1	17568-50F00	UNION BOLT,AIR VENT	1	
2	17851-25L00	HOSE,RDTR INLET	1	
3	17852-25L00	HOSE,RDTR OUTLET	1	
4	17853-25L00	HOSE,WATER BYPASS	1	
5	17855-25L00	BRACKET,HOSE CLAMP	1	
6	17856-25L00	CLAMP,RDTR INLET HOSE	1	
7	17860-25L00	CONNECTOR,WATER OUTLET	1	
8	17861-25L00	O-RING,WATER CONNECTOR	1	
9	09103-06525	BOLT (6X12)	1	
10	09135-06034	BOLT	1	
11	09168-06026	GASKET (6.4X11.5X0.84)	1	
12	09401-16407	CLIP (ID:16.5)	2	
13	09401-29001	CLAMP	4	
14	09403-20307	CLAMP	1	
15	07120-0620A	BOLT	2	
16	17855-25L00	BRACKET,HOSE CLAMP	1	
17	17910-25L00	TANK ASSY,RESERVOIR	1	
18	17931-25L00	.CAP,WATER RESERVOIR TANK	1	
19	17934-25L00	.PIPE,RSVR TANK CAP	2	
20	17935-25L00	.HOSE,RSVR TANK CAP	1	
21	17981-25L00	HOSE,RSVR TANK INLET	1	
22	09103-06525	BOLT (6X12)	1	
23	09135-06034	BOLT	2	
24	09401-08411	CLIP (ID:8.6)	2	
25	09352-50901-600	HOSE (5X9X600)	1	
26	09403-11330	CLAMP	1	
27	09403-17403	CLAMP	1	
28	13650-49X00	SENSOR,TEMP	1	
29	09168-12017	GASKET (12X17X1)	1	

FIG.189A

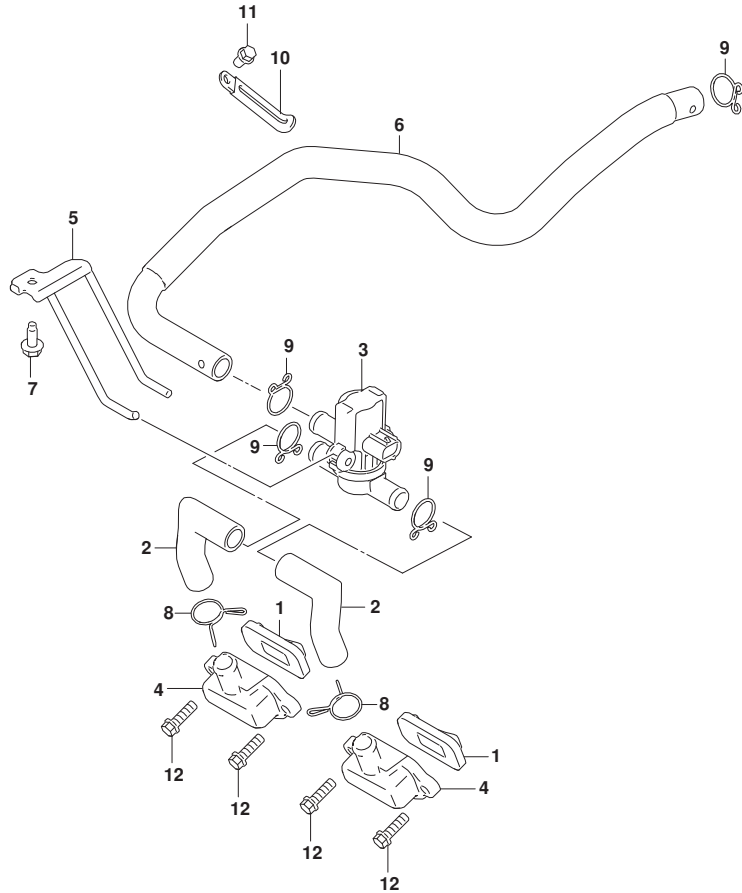


FIG.189A (1-C-10) 2ND AIR

REF NO.	PART NO.	DESCRIPTION	QTY	REMARKS
1	18450-28K00	VALVE ASSY,2ND AIR REED	2	
2	18461-25L00	HOSE,2ND AIR VALVE	2	
3	18510-29G31	VALVE ASSY,AIR CUT	1	
4	18531-25L00	COVER,2ND AIR REED VALVE	2	
5	18610-25L00	BRACKET,2ND AIR VALVE	1	
6	18710-25L00	HOSE,2ND AIR CLNR	1	
7	09135-06027	BOLT (6X16)	1	
8	09401-17201	CLIP	2	
9	09401-18101	CLIP	4	
10	09404-06043	CLAMP	1	
11	01547-0610A	BOLT	1	
12	01547-0620A	BOLT	4	



FIG.201A

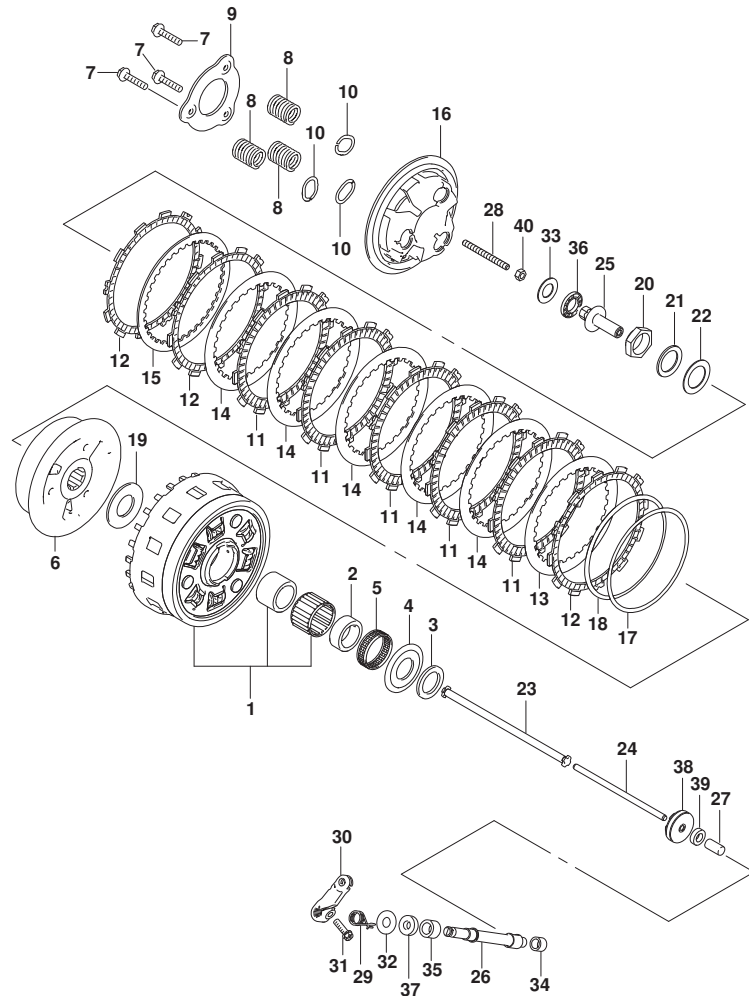


FIG.201A (1-C-11) CLUTCH

REF NO.	PART NO.	DESCRIPTION	Q'TY	REMARKS
1	21200-25810	GEAR ASSY,PRI DRIVEN (NT:62)	1	
2	21253-01H10	SPACER,OIL PUMP DRIVE SPROCKET	1	
3	09160-25036	WASHER (25X30X3)	1	
4	09160-25073	WASHER (25X54X2.4)	1	
5	09263-35045	BEARING (35X40X12)	1	
6	21411-25L00	.HUB,CLUTCH SLEEVE	1	
7	21412-31J00	.BOLT,CLUTCH SPRING	3	
8	21413-25L00	.SPRING,CLUTCH	3	
9	21414-25L00	.PLATE,STOPPER	1	
10	21415-31J00	.SEAT,CLUTCH SPRING	3	
11	21441-36F50	.PLATE,CLUTCH DRIVE NO.1 (T:2.8)	5	
12	21442-41G20	.PLATE,CLUTCH DRIVE NO.2 (T:2.8)	3	
13	21451-25L10	.PLATE,CLUTCH DRIVEN NO.2 (T:1.6)	1	
14	21451-41G30	.PLATE,CLUTCH DRIVEN (T:1.6)	5	
15	21452-25L00	.PLATE,CLUTCH DRIVEN NO.3 (T:2.0)	1	
16	21462-25L00	.DISC,CLUTCH PRESSURE	1	
17	21471-41G00	.SEAT,WAVE WASHER	1	
18	21472-41G20	.WASHER,CLUTCH PLATE WAVE	1	
19	09160-25056	.WASHER (25X50X2.5)	1	
20	09159-24010	NUT	1	
21	09164-24008	WASHER (24.2X35X2.7)	1	
22	09181-25223	SHIM (25X38X1)	1	
23	23110-38B00	ROD,CLUTCH PUSH,R	1	
24	23111-25L00	ROD,CLUTCH PUSH,L	1	
25	23121-25L00	PIECE,CLUTCH PUSH	1	
26	23122-25L00	CAMSHAFT,CLUTCH RELEASE	1	
27	23123-41G00	CAP,CLUTCH PUSH ROD	1	
28	23124-25L00	SCREW,CLUTCH PUSH ROD	1	
29	23125-44G00	SPRING,CLUTCH RELEASE RETURN	1	
30	23271-41G00	ARM,CLUTCH RELEASE	1	
31	09103-06527	BOLT (6X20)	1	



FIG.201A

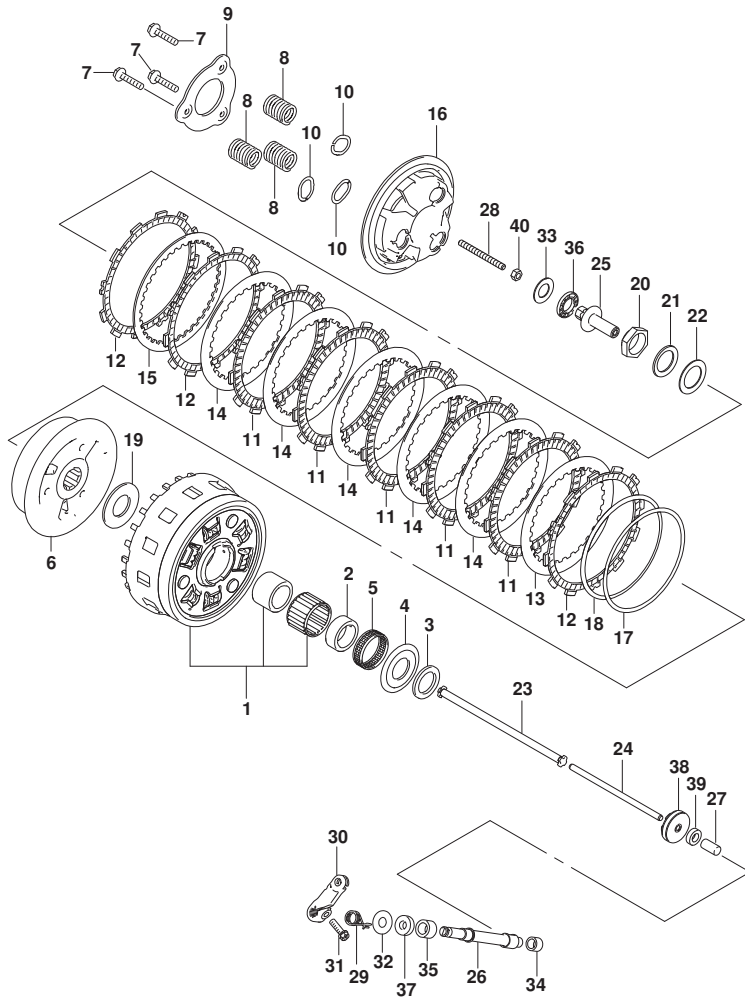
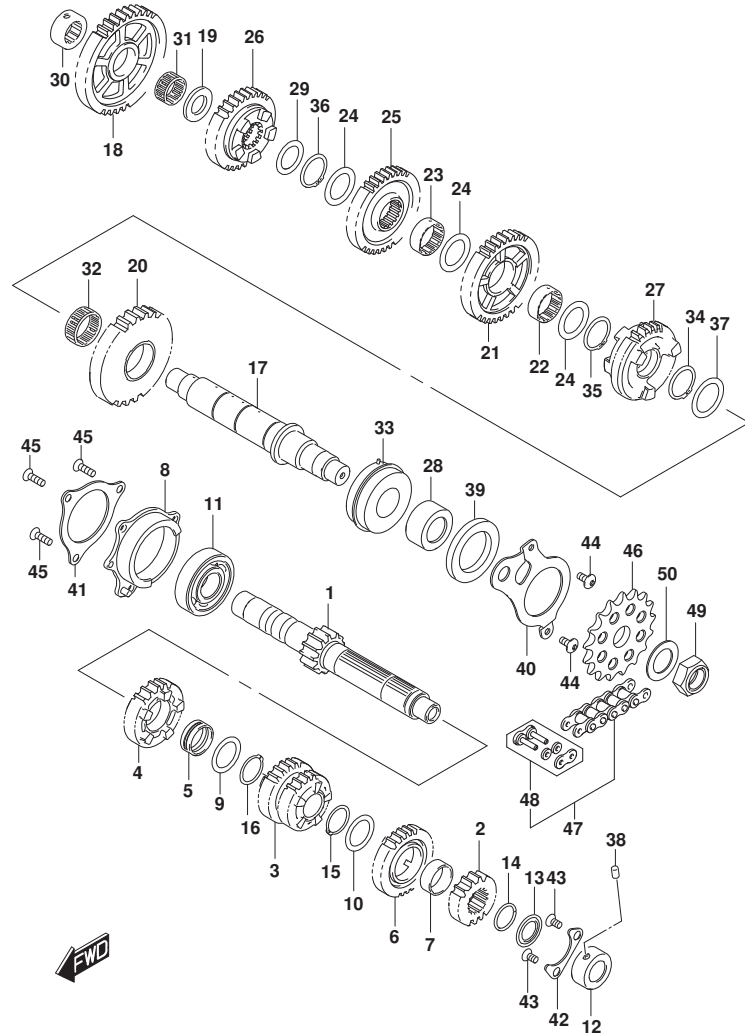


FIG.201A (1-C-12) CLUTCH

REF NO.	PART NO.	DESCRIPTION	Q'TY	REMARKS
32	09160-10020	WASHER (10.5X24X1.0)	1	
33	09160-15045	WASHER (15.5X28X1)	1	
34	09263-10014	BEARING (10X14X10)	1	
35	09263-12027	BEARING (12X18X12)	1	
36	09263-15003	BEARING (15X28X2)	1	
37	09282-10012	SEAL,OIL (10X20X6)	1	
38	09283-06013	SEAL,OIL	1	
39	09285-10004	SEAL,OIL (10X17X5)	1	
40	08310-0006A	NUT	1	

FIG.206A



GSX800FM4\_E21\_206A  
TRANSMISSION

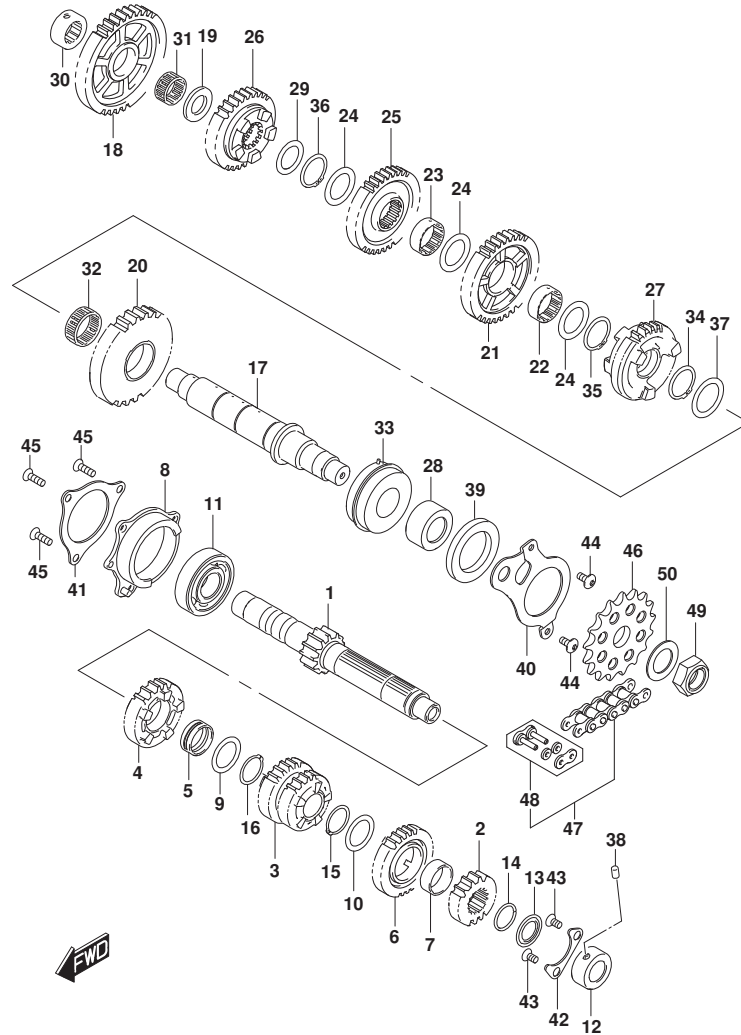
FIG.206A (1-C-13) TRANSMISSION

REF NO.	PART NO.	DESCRIPTION	Q'TY	REMARKS
1	24120-25L00	SHAFT,CNTR (NT:14)	1	
2	24221-25L00	GEAR,2ND DRIVE (NT:15)	1	
3	24231-25L00	GEAR,3RD & 4TH DRIVE (NT:20/24 )	1	
4	24251-25L00	GEAR,5TH DRIVE (NT:26)	1	
5	24252-35F00	BUSH,5TH DRIVE GEAR	1	
6	24261-25L00	GEAR,6TH DRIVE (NT:28)	1	
7	24262-35F10	BUSH,6TH DRIVE GEAR	1	
8	24770-18H10	HOUSING,CNTR SHAFT BRG,R	1	
9	09160-27008	WASHER (27X36X1.0)	1	
10	09167-27001	WASHER,LOCK (27X36X1)	1	
11	09262-25073	BEARING (25X62X17)	1	
12	09263-20123	BEARING	1	
13	09285-20006	SEAL,OIL (20X31.2X2.7)	1	
14	09380-27004	CIRCLIP	1	
15	09380-27006	CIRCLIP	1	
16	09380-27006	CIRCLIP	1	
17	24131-25L00	SHAFT,DRIVE	1	
18	24311-25L00	GEAR,1ST DRIVEN (NT:43)	1	
19	24315-25L00	SPACER,1ST DRIVEN GEAR,R	1	
20	24321-25L00	GEAR,2ND DRIVEN (NT:33)	1	
21	24331-25L00	GEAR,3RD DRIVEN (NT:34)	1	
22	24332-24F20	BUSH,3RD DRIVEN GEAR	1	
23	24332-24F20	BUSH,3RD DRIVEN GEAR	1	
24	24333-47H00	WASHER,3RD & 4TH DRIVEN GEAR	3	
25	24341-25L00	GEAR,4TH DRIVEN (NT:34)	1	
26	24351-25L00	GEAR,5TH DRIVEN (NT:32)	1	
27	24361-25L00	GEAR,6TH DRIVEN (NT:31)	1	
28	27531-25L00	SPACER,ENGINE SPROCKET	1	
29	09181-24005	SHIM (24X34X1)	1	
30	09263-20087	BEARING (20X34X13.5)	1	
31	09263-24030	BEARING (24X28X13)	1	
32	09263-30018	BEARING (30X35X12.8)	1	
33	09267-30011	BEARING (30X62X23.8)	1	
34	09380-30009	CIRCLIP	1	

GSX800FM4\_E21



FIG.206A



GSX800FM4\_E21\_206A  
TRANSMISSION

FIG.206A (1-C-14) TRANSMISSION

REF NO.	PART NO.	DESCRIPTION	Q'TY	REMARKS
35	09380-30009	CIRCLIP	1	
36	09380-30009	CIRCLIP	1	
37	09181-30167	SHIM (30X40X1)	1	
38	09261-06003	PIN (6X10)	1	
39	09283-42018	SEAL,OIL (42X62X7)	1	
40	24741-25L00	RETAINER,CL PUSH ROD OIL SEAL	1	
41	24751-18H00	RETAINER,CNTR SHAFT BEARING,R	1	
42	24751-25L00	RETAINER,COUNTER SHAFT BRG,L	1	
43	09126-06011	SCREW (6X12)	2	
44	09139-06153	SCREW (6X13)	2	
45	09139-06159	SCREW (6X20)	3	
46	27511-20A21	SPROCKET,ENGINE (NT:17)	1	
47	27600-06G40-120	CHAIN ASSY,DRIVE (RK525SMOZ8)	1	
48	27620-06G40	.JOINT SET,DRIVE CHAIN	1	
49	09159-20004	NUT	1	
50	09181-25268	SHIM (25X40X1.5)	1	

GSX800FM4\_E21

FIG.212A

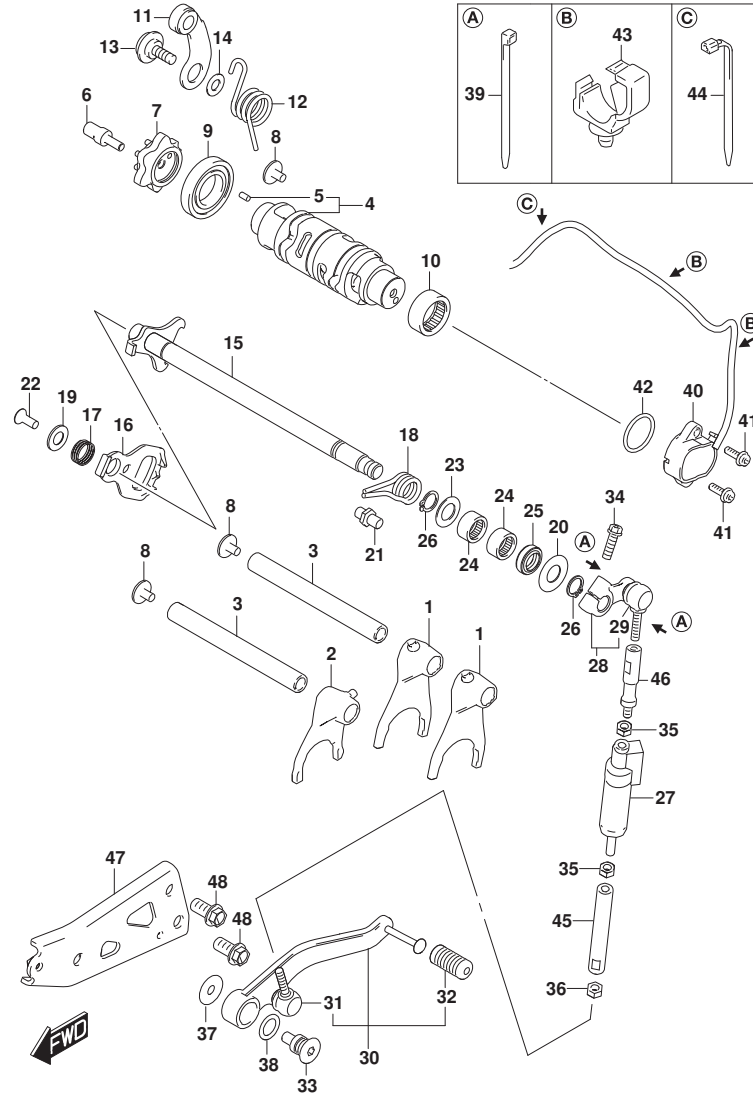


FIG.212A (1-C-15) GEAR SHIFTING

REF NO.	PART NO.	DESCRIPTION	Q'TY	REMARKS
1	25211-01H11	FORK,GEAR SHIFT NO.1	2	
2	25231-25L00	FORK,GEAR SHIFT NO.3	1	
3	25411-24F00	SHAFT,SHIFT FORK NO.2 (L:132)	2	
4	25310-25L00	CAM,GEAR SHIFT	1	
5	04221-04089	.PIN (4X13.8)	1	
6	25312-17K00	BOLT,GEAR SHIFT CAM PLATE	1	
7	25381-17K00	PLATE,GEAR SHIFT CAM	1	
8	09136-06147	SCREW (6X12)	3	
9	09262-25006	BEARING (25X47X8)	1	
10	09263-25018	BEARING (25X32X12)	1	
11	25350-06G00	STOPPER,SHIFT CAM	1	
12	25355-18H00	SPRING,GEAR SHIFT CAM STOPPER	1	
13	09111-06041	BOLT (6X14.3)	1	
14	08211-06141	WASHER	1	
15	25510-25L10	SHAFT,GEAR SHIFT	1	
16	25512-06G20	PLATE,GEAR SHIFT CAM DRIVE	1	
17	25518-01H00	SPRING,GEAR SHIFT PLATE RETURN	1	
18	25518-06L00	SPRING,GEAR SHIFT SHAFT RETURN	1	
19	25519-01H00	WASHER,GEAR SHIFT SHAFT END	1	
20	25519-25L00	WASHER,GEAR SHIFT SHAFT,L	1	
21	25671-01011	STOPPER,GEAR SHIFT ARM	1	
22	09126-06014	SCREW (6X16)	1	
23	09181-14195	SHIM (14X24X1)	1	
24	09263-14027	BEARING (14X20X12)	2	
25	09283-14005	SEAL,OIL (14X22X7.3)	1	
26	08331-3114A	CIRCLIP	2	
27	25500-25L00	SENSOR ASSY,GEAR SHIFT	1	
28	25520-01H11	ARM,GEAR SHIFT LINK	1	
29	25526-01H00	.DUST COVER	1	
30	25600-25L00	LEVER ASSY,GEAR SHIFT	1	
31	25526-01H00	.DUST COVER	1	
32	25652-20C00	.RUBBER,GEAR SHIFT PEDAL	1	
33	25617-18H00	BOLT,GEAR SHIFT LEVER	1	
34	09103-06528	BOLT (6X25)	1	
35	09140-06020	NUT	2	

FIG.212A

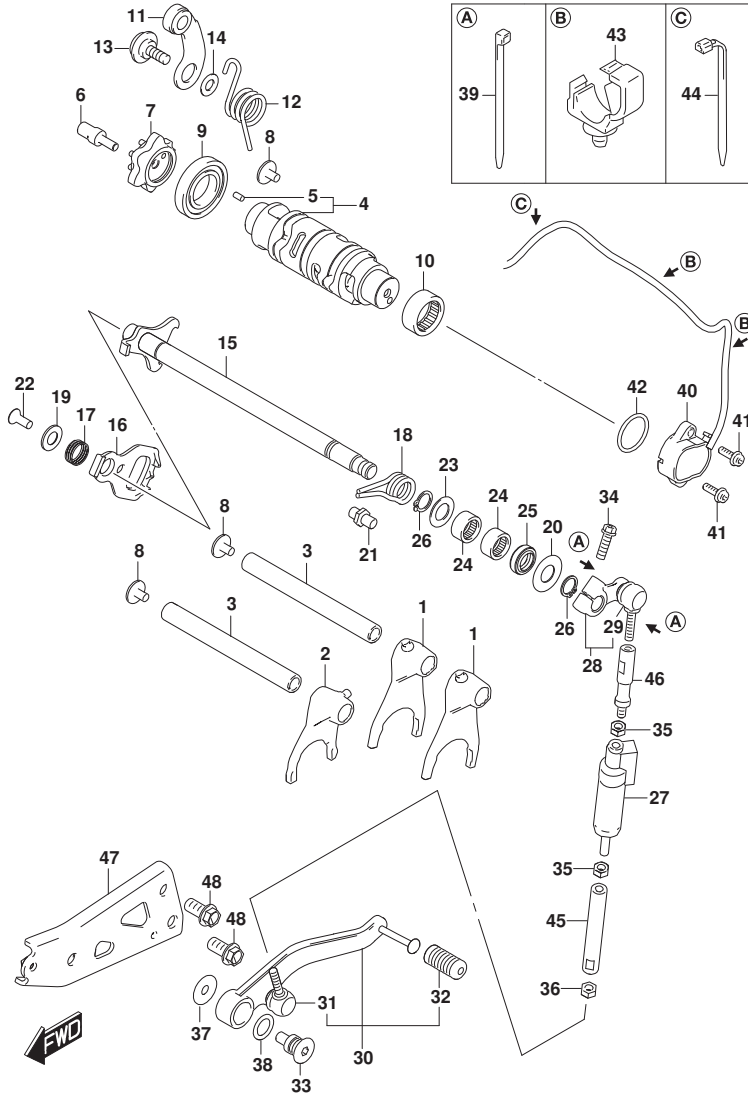


FIG.212A (1-C-16) GEAR SHIFTING

REF NO.	PART NO.	DESCRIPTION	Q'TY	REMARKS
36	09140-06025	NUT	1	
37	09160-10144	WASHER (10X30X2.5)	1	
38	09160-18037	WASHER (18X26X1)	1	
39	09407-14407	CLAMP (L:145)	1	
40	37730-48K10	SENSOR ASSY,GEAR POSITION	1	
41	09106-05023	BOLT (5X16)	2	
42	09280-26005	O-RING (D:2.4, ID:26.2)	1	
43	09403-20311	CLAMP	2	
44	09407-14403	CLAMP (L:125)	1	
45	25525-25L00	ROD,GEAR SHIFT LINK	1	
46	25526-25L00	ROD,GEAR SHIFT LINK NO.2	1	
47	25680-25L00	BRACKET,GEAR SHIFT LEVER	1	
48	09103-10394	BOLT (10X20)	2	

FIG.301A

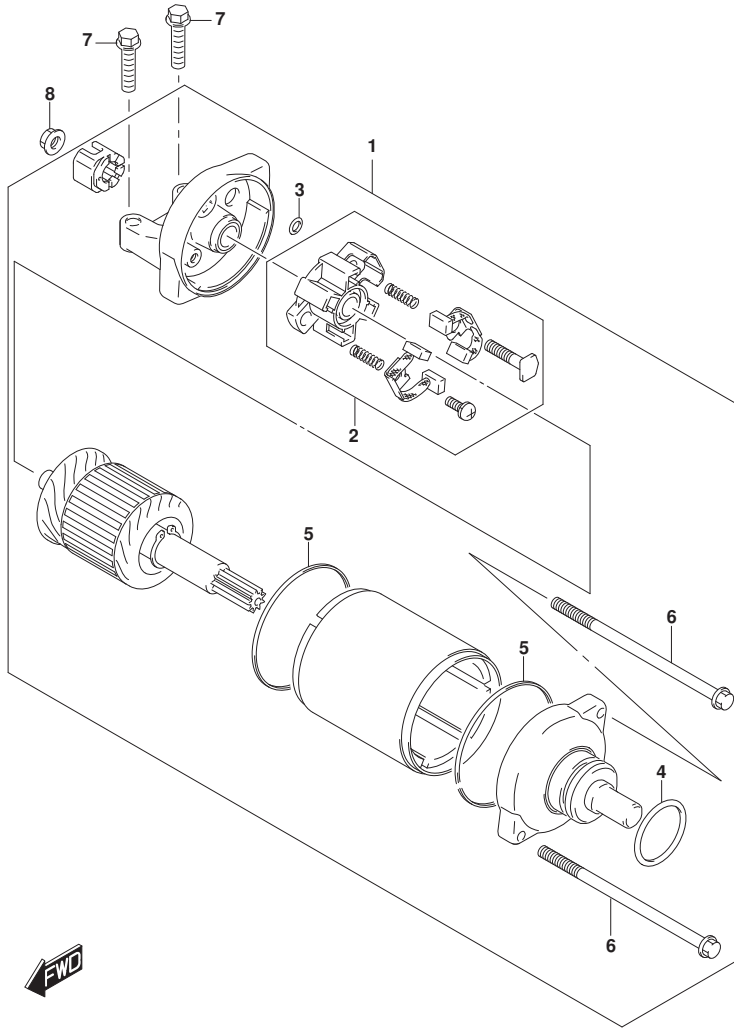


FIG.301A (1-D-2) STARTING MOTOR

REF NO.	PART NO.	DESCRIPTION	Q'TY	REMARKS
1	31100-25L00	MOTOR ASSY,STARTING	1	
2	31132-18H00	.BRUSH HOLDER SET	1	
3	31143-49040	.O-RING	1	
4	31156-98E00	.O-RING (D:3.1,ID:24.4)	1	
5	31264-38F10	.SQUARE RING	2	
6	31280-19F10	.BOLT SET	2	
7	01547-0625A	BOLT	2	
8	08361-3506A	NUT	1	

FIG.303A

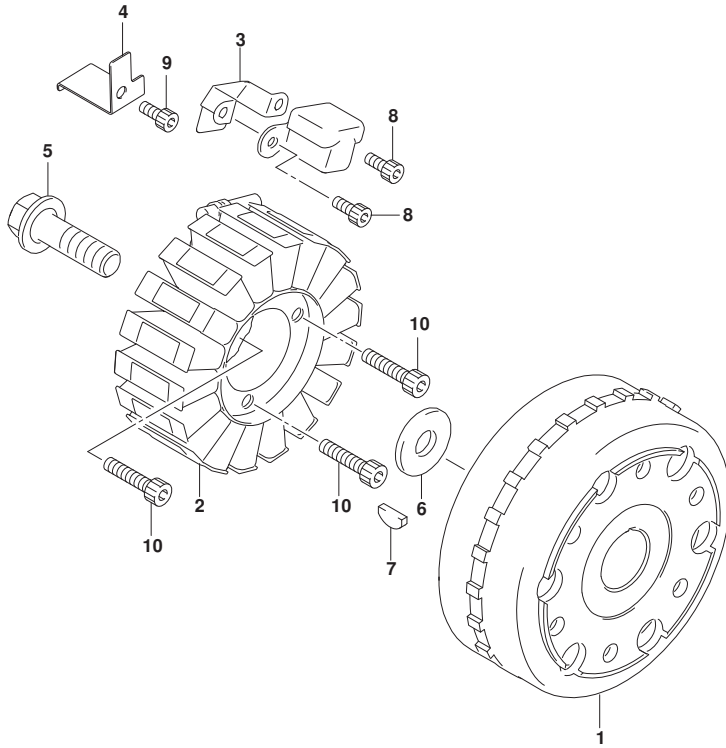


FIG.303A (1-D-3) MAGNETO

REF NO.	PART NO.	DESCRIPTION	Q'TY	REMARKS
1	32102-25L00	ROTOR ASSY,MAGNETO	1	
2	32101-25L00	STATOR ASSY,MAGNETO	1	
3	32155-25L00	CLAMP,PULSER COIL LEAD	1	
4	32371-25L00	CLAMP,MAGNETO LEAD	1	
5	09103-12146	BOLT	1	
6	09160-12036	WASHER (12X30X3.0)	1	
7	09420-04008	KEY (B:4,D:16,H6.5)	1	
8	07130-0512A	BOLT	2	
9	07130-0512A	BOLT	1	
10	07130-0635A	BOLT	3	

FIG.310A

FIG.310A (1-D-4) BATTERY

REF NO.	PART NO.	DESCRIPTION	Q'TY	REMARKS
1	33630-33E01	BATTERY ASSY (FTX9-BS,12V8AH)	1	
2	33652-20C10	CUSHION,BATTERY	3	
3	33652-25L00	CUSHION,BATTERY	2	
4	63113-15H10	CUSHION,BATTERY	1	
5	33810-25L00	WIRE,STARTER MOTOR LEAD	1	
6	33820-25L00	WIRE,BATTERY PLUS LEAD	1	
7	33652-20C20	CUSHION,BATTERY	1	

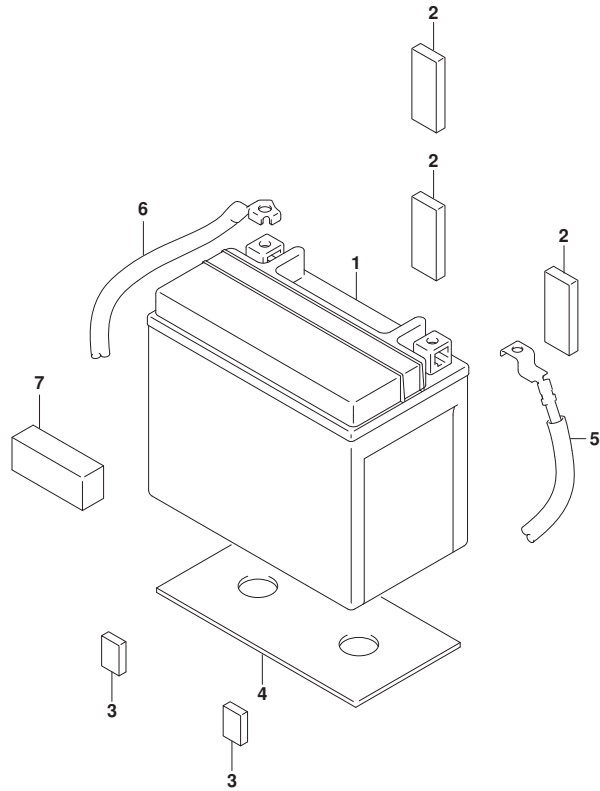


FIG.311A



**FIG.311A (1-D-5) STARTOR RELAY**

REF NO.	PART NO.	DESCRIPTION	Q'TY	REMARKS
1	31800-06G02	RELAY ASSY,STARTING MOTOR	1	
2	09481-30101	.FUSE (30A)	2	
3	31861-47E00	.COVER	1	
4	09128-06013	SCREW (6X8)	2	

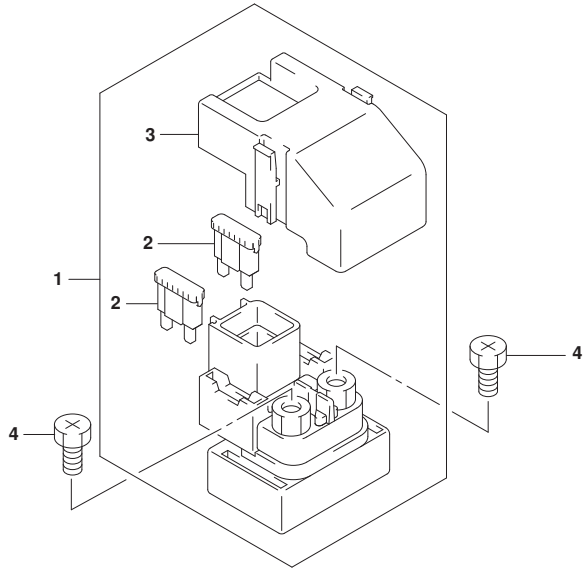


FIG.313A

FIG.313A (1-D-6) RECTIFIER

REF NO.	PART NO.	DESCRIPTION	Q'TY	REMARKS
1	32800-26J10	RECTIFIER ASSY	1	
2	09169-06032	WASHER	2	
3	01550-0625A	BOLT (6X25)	2	
4	08316-1006A	NUT (6X12)	2	

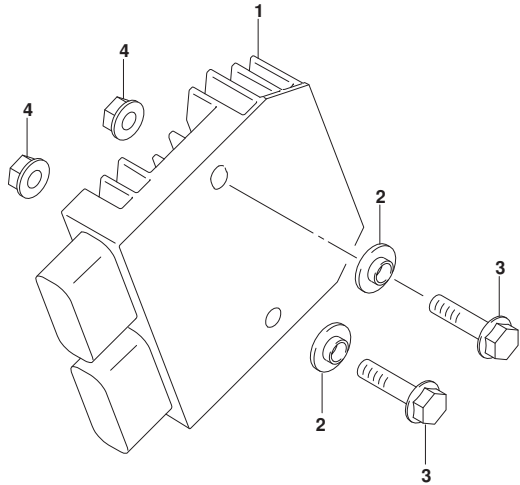




FIG.316A



**FIG.316A (1-D-7) IGNITION COIL**

REF NO.	PART NO.	DESCRIPTION	Q'TY	REMARKS
1	33410-38H10	COIL ASSY,IGNITION	2	

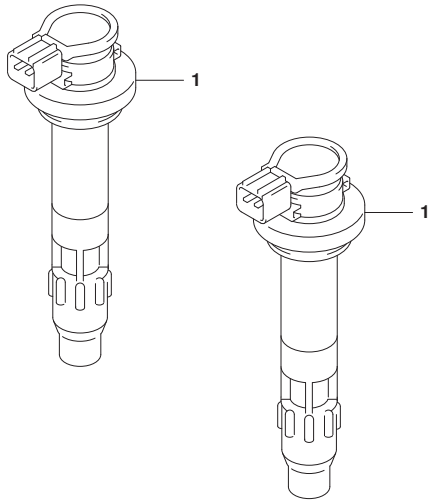


FIG.322A

FIG.322A (1-D-8) ELECTRIC POWER CONTROL UNIT

REF NO.	PART NO.	DESCRIPTION	Q'TY	REMARKS
1	32910-06L00	ECM,BLANK	1	GSX800FUQ
2	33651-37000	PROTECTOR (170X95X3.0)	2	GSX800FUQ
3	33652-39000	PROTECTOR,BATTERY (30X25X3)	1	GSX800FUQ
4	33960-25H01	SENSOR ASSY,FUEL CUT	1	GSX800FUQ

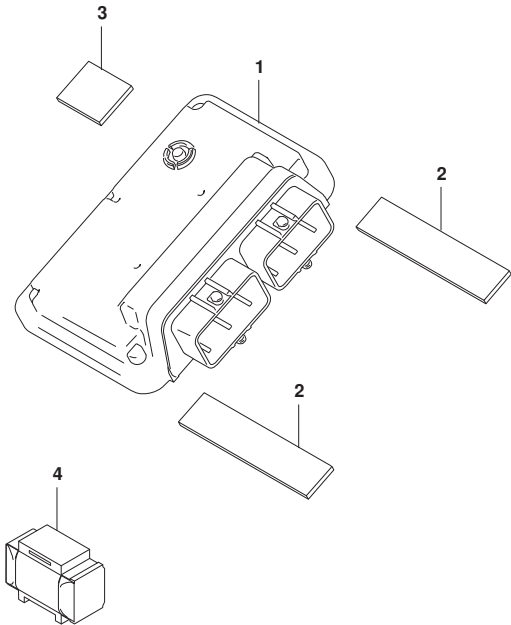


FIG.330A



FIG.330A (1-D-9) SPEEDOMETER

REF NO.	PART NO.	DESCRIPTION	Q'TY	REMARKS
1	34100-25L01	SPEEDOMETER ASSY	1	(GSX800FRQ,GSX800FUQ)
2	34187-48K01	SPACER,SPEEDOMETER	4	(GSX800FRQ,GSX800FUQ)
3	34955-10L00	CUSHION,SPEEDOMETER	4	(GSX800FRQ,GSX800FUQ)
4	09116-05030	BOLT	4	(GSX800FRQ,GSX800FUQ)

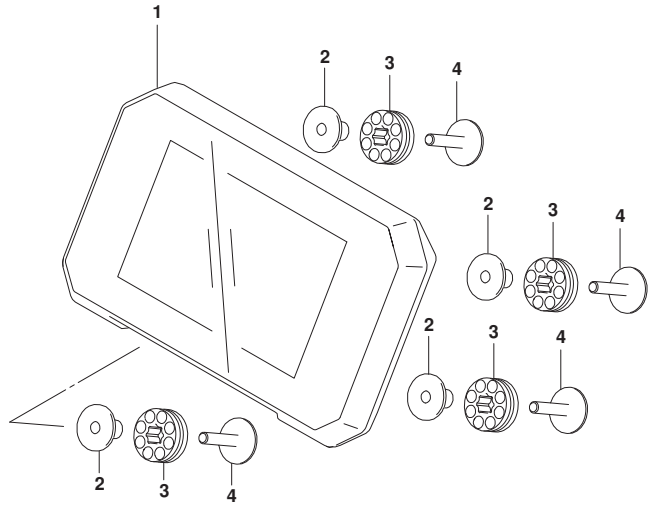


FIG.333A

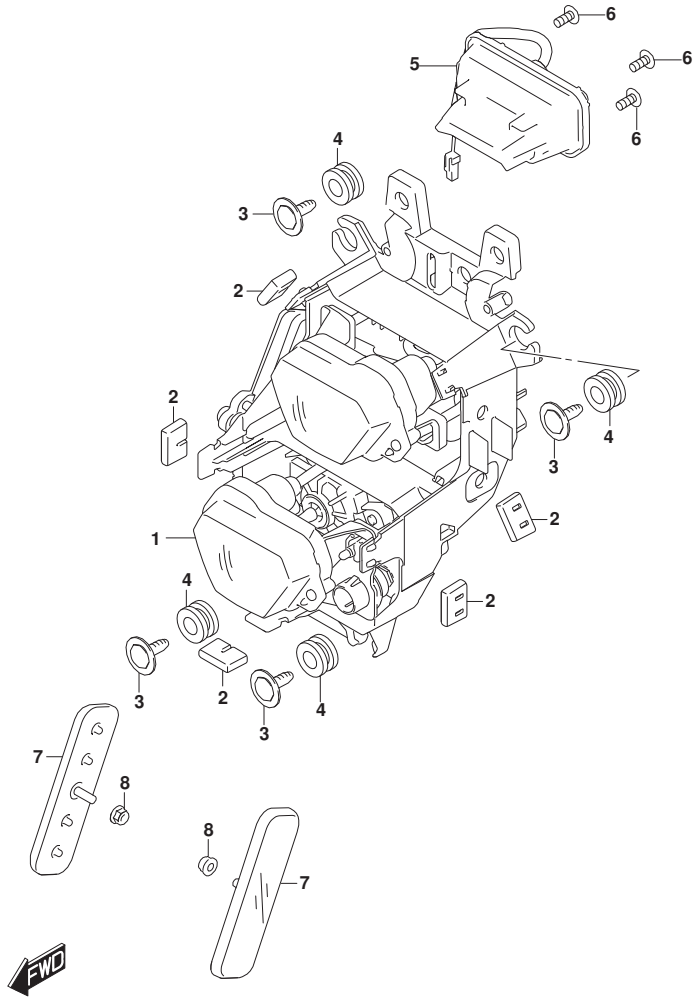


FIG.333A (1-D-10) HEADLAMP

REF NO.	PART NO.	DESCRIPTION	Q'TY	REMARKS
1	35100-48K02	HEADLAMP ASSY	1	
2	35781-17K00	CUSHION	5	
3	09136-05062	SCREW (5X15)	4	
4	09320-09501	CUSHION (9X18X10)	4	
5	36110-48K00	LAMP ASSY,FRONT POSITION	1	
6	03541-0512A	SCREW	3	
7	35950-25L00	REFLEX REFLECTOR,FR SIDE	2	
8	08319-3105A	NUT	2	

FIG.334A

FIG.334A (1-D-11) TURNSIGNAL LAMP

REF NO.	PART NO.	DESCRIPTION	Q'TY	REMARKS
1	35601-48KB1	LAMP ASSY,FRONT TURNSIGNAL,R	1	
2	35602-48KB1	LAMP ASSY,FRONT TURNSIGNAL,L	1	
3	09169-06100	WASHER	2	
4	08316-1006A	NUT (6X12)	2	
5	35603-48KG0	LAMP ASSY,REAR TURNSIGNAL,R	1	
6	35604-48KG0	LAMP ASSY,REAR TURNSIGNAL,L	1	
7	09169-06100	WASHER	2	
8	08316-1006A	NUT (6X12)	2	
9	38610-06L01	RELAY ASSY,TURNSIGNAL	1	

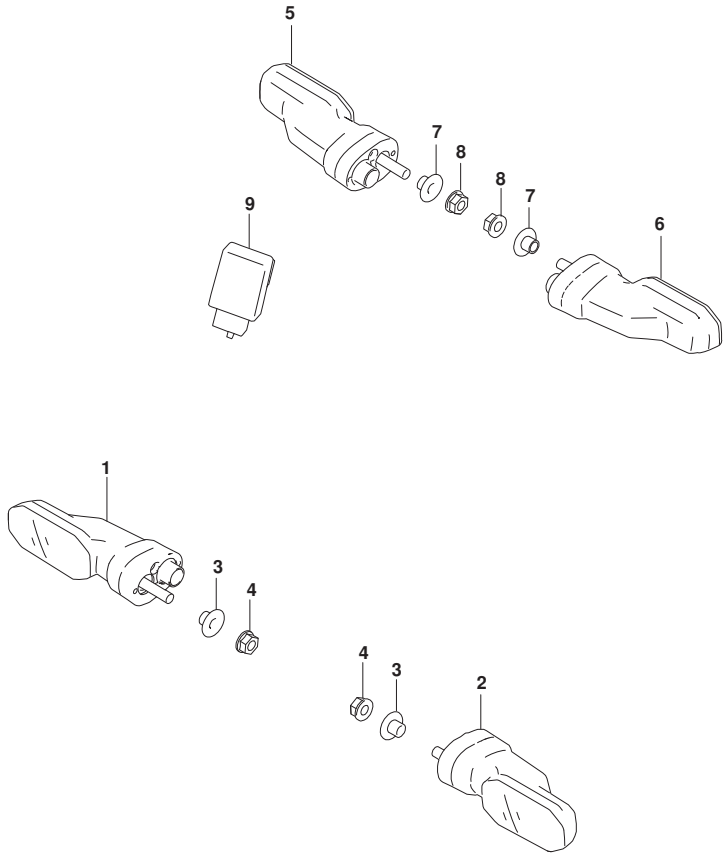


FIG.339A

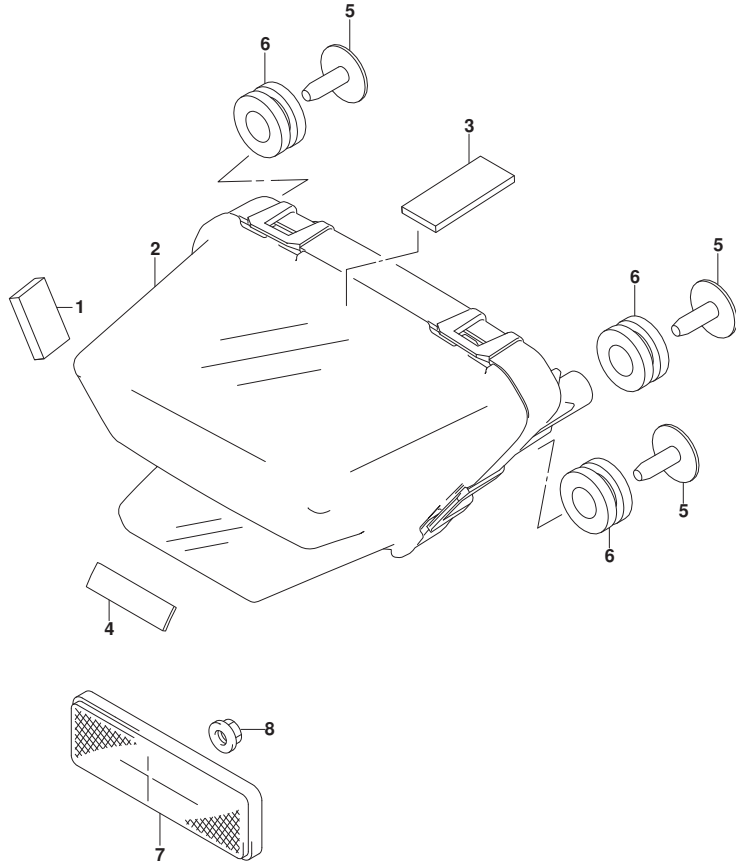


FIG.339A (1-D-12) REAR COMBINATION LAMP

REF NO.	PART NO.	DESCRIPTION	Q'TY	REMARKS
1	33972-31D00	CUSHION (10X16X3)	2	
2	35710-25L00	LAMP ASSY,REAR COMB	1	
3	44292-10L00	CUSHION,FUEL TANK COVER RR	1	
4	94675-07L00	CUSHION (6X25X1)	1	
5	09136-05062	SCREW (5X15)	3	
6	09320-10073	CUSHION	3	
7	35970-07F01	REFLECTOR ASSY,RR	1	
8	08319-3105A	NUT	1	

FIG.350A

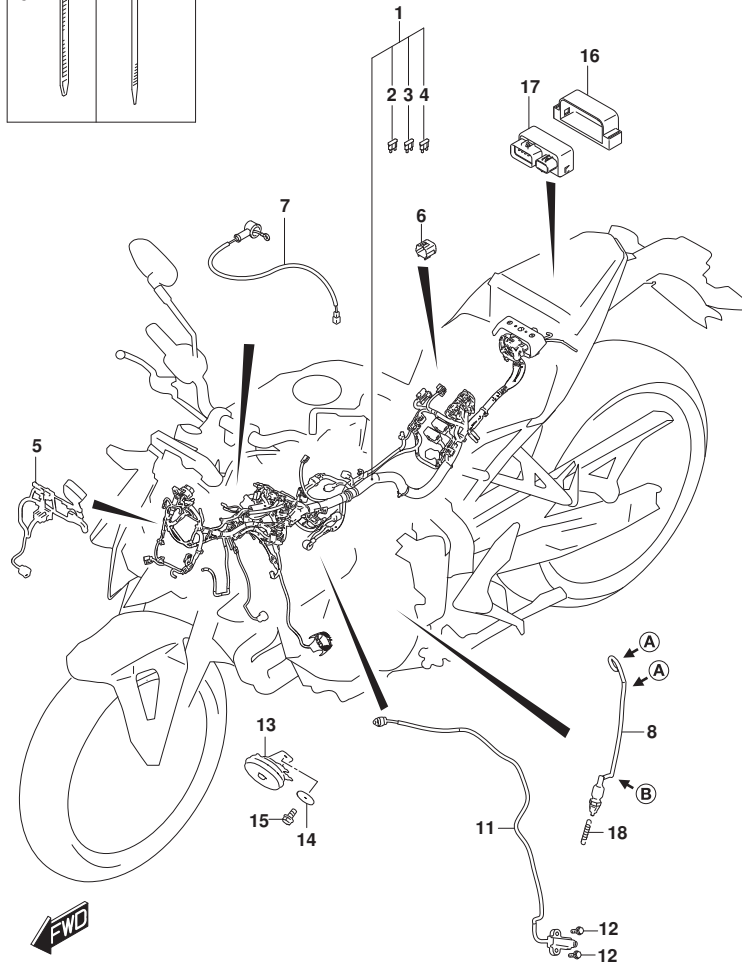
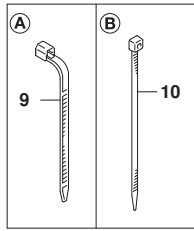


FIG.350A (1-D-13) WIRING HARNESS

REF NO.	PART NO.	DESCRIPTION	Q'TY	REMARKS
1	36610-25L20	HARNESS,WIRING NO.1	1	
2	09481-10501	.FUSE (10A)	5	
3	09481-15101	.FUSE (15A)	3	
4	09481-20501	.FUSE (20A)	1	
5	36620-25L20	HARNESS,WIRING NO.2	1	
6	36654-28K00	CAP,OBD CONNECTOR	1	
7	36851-25L00	WIRE,OIL PRESSURE SW LEAD	1	
8	37740-25L10	SWITCH ASSY,STOP LAMP	1	
9	09407-10403	CLAMP (L:95)	2	
10	09407-14407	CLAMP (L:145)	1	
11	37840-25L00	SWITCH ASSY,SIDE STAND	1	
12	01550-0620B	BOLT	2	
13	38500-48H31	HORN ASSY	1	
14	09160-08159	WASHER (8.5X30X2.3)	1	
15	01550-0816B	BOLT	1	
16	36744-06L00	HOLDER,RELAY	1	
17	38860-06L00	RELAY ASSY	1	
18	09443-06016	SPRING	1	

FIG.352A

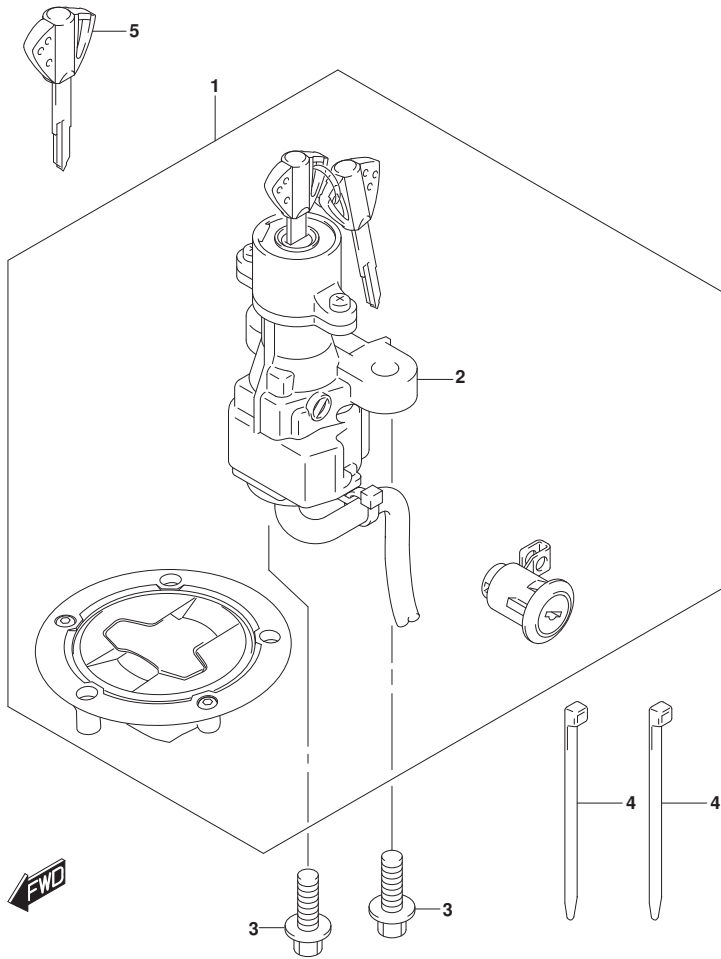


FIG.352A (1-D-14) LOCK SET

REF NO.	PART NO.	DESCRIPTION	QTY	REMARKS
1	37101-25880	LOCK SET	1	
2	37100-25L40	.LOCK ASSY,STEERING	1	
3	37152-17K00	BOLT,STEERING LOCK (8X20)	2	
4	09407-14407	CLAMP (L:145)	2	
5	37146-13K00	KEY,BLANK	1	OPT



FIG.355A



FIG.355A (1-D-15) HANDLE SWITCH

REF NO.	PART NO.	DESCRIPTION	Q'TY	REMARKS
1	09407-14407	CLAMP (L:145)	1	
2	37400-25L00	SWITCH ASSY,HANDLE,L	1	
3	36990-06L00	CLAMP,HANDLE SWITCH (L:145)	1	

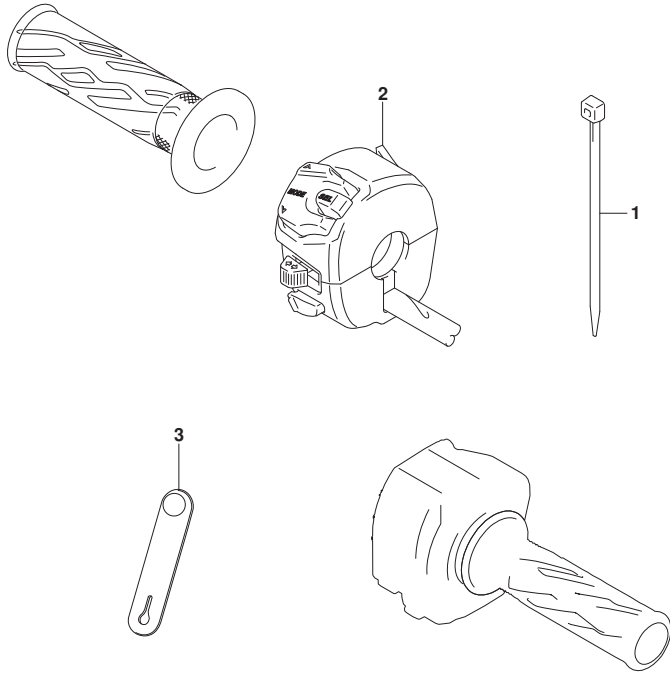


FIG.401A

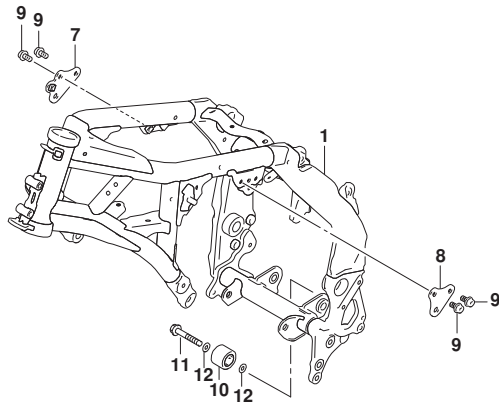
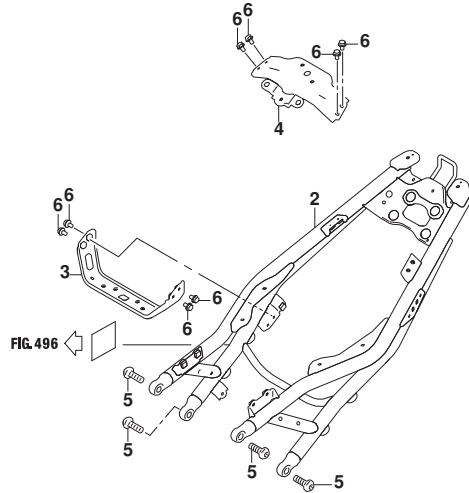


FIG.401A (1-D-16) FRAME

REF NO.	PART NO.	DESCRIPTION	Q'TY	REMARKS
1	41100-25L00	FRAME	1	
2	41200-25L00-QEB	RAIL,SEAT (GRAY)	1	
3	42710-25L00	HOLDER,BATTERY	1	
4	42720-25L00	BRACKET,SEAT LOCK	1	
5	09106-10100	BOLT	4	
6	01550-0610B	BOLT	8	
7	41920-25L00	PLATE,ENG MTG,R	1	
8	41922-25L00	PLATE,ENG MTG,L	1	
9	07120-0816B	BOLT	4	
10	43910-37F00	ROLLER,CHAIN	1	
11	09103-08083	BOLT (8X41)	1	
12	09181-08167	SHIM (8X16X1)	2	

FIG.406A

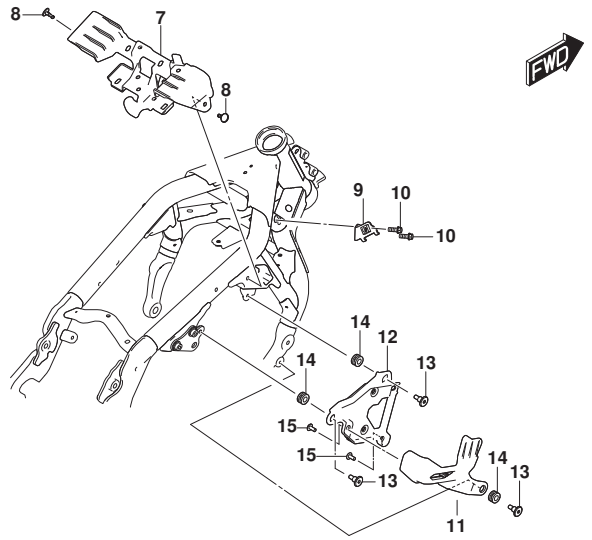


FIG.406A (1-E-2) HOLDER

REF NO.	PART NO.	DESCRIPTION	Q'TY	REMARKS
1	47431-25L00	HOLDER,BATTERY	1	
2	09139-06188	SCREW (6X12)	2	
3	47433-25L01	HOLDER,ELECTRIC PARTS	1	
4	09321-10012	CUSHION	2	
5	09409-06314	CLIP (5.9X20.5)	4	
6	03541-0516A	SCREW	2	
7	47430-25L00	BRACKET,COUPLER	1	
8	94479-35F00	CLIP	2	
9	46420-25L00	BRACKET,HORN	1	
10	01547-0616B	BOLT	2	
11	47436-25L00	GUARD,RECTIFIER	1	
12	47437-25L00	HOLDER,RECTIFIER	1	
13	09139-06211	SCREW (6X20)	3	
14	09320-09016	CUSHION (9X18X9.5)	3	
15	03541-0512A	SCREW	2	

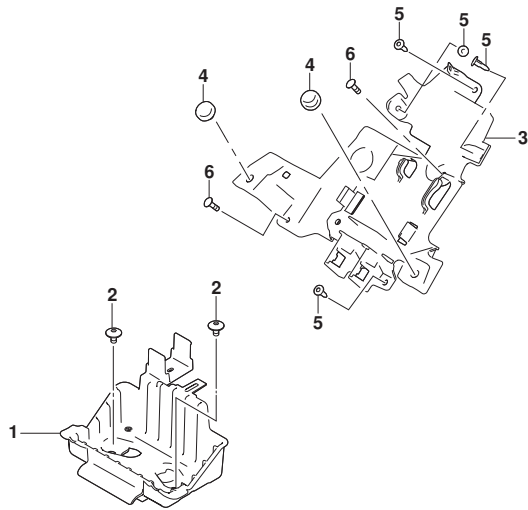


FIG.407A

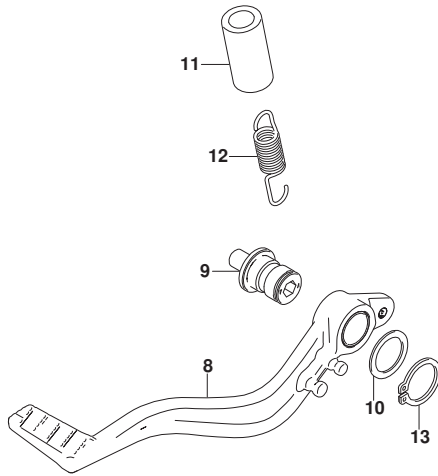


FIG.407A (1-E-3) STAND

REF NO.	PART NO.	DESCRIPTION	Q'TY	REMARKS
1	42310-25L00	STAND,PROP	1	
2	42330-25L00	BRACKET,PROP STAND	1	
3	09111-10059	BOLT (10X21)	1	
4	09443-14058	SPRING	1	
5	09443-19011	SPRING	1	
6	01550-1025A	BOLT (10X20)	2	
7	08319-3110A	NUT	1	
8	43110-25L00	PEDAL,BRAKE	1	
9	43142-25L00	SHAFT,BRAKE PEDAL	1	
10	09160-18022	WASHER (18X24X1.0)	1	
11	09355-13207-600	HOSE (13X20X600)	1	L:600->040
12	09443-13029	SPRING	1	
13	08331-3118A	CIRCLIP	1	

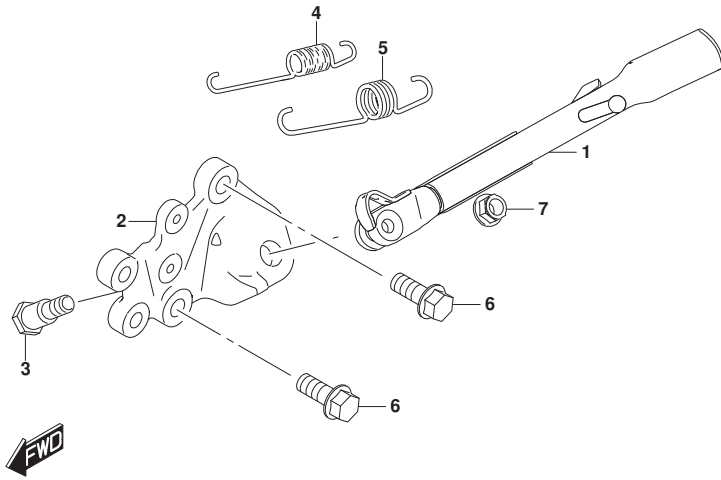


FIG.415A

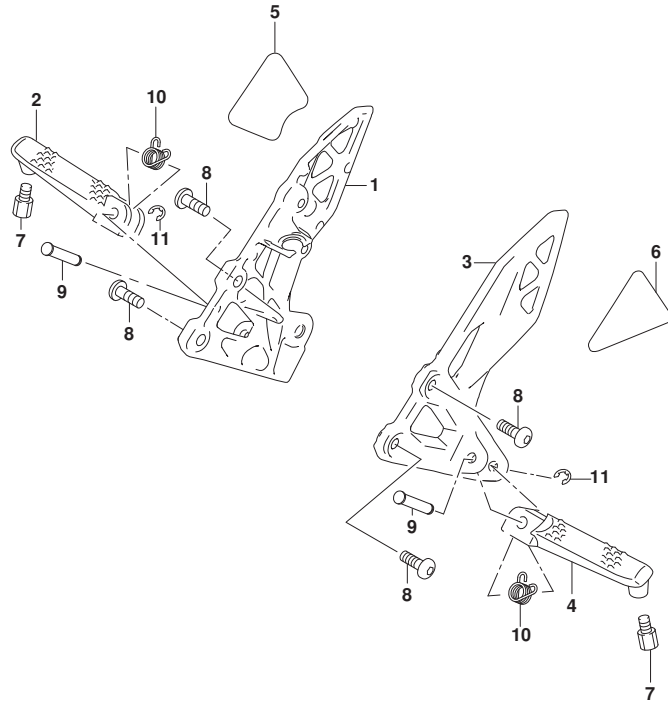


FIG.415A (1-E-4) FOOTREST

REF NO.	PART NO.	DESCRIPTION	Q'TY	REMARKS
1	43511-25L00	BRACKET,FR FOOTREST,R	1	
2	43516-18K00	BAR,FRONT FOOTREST,R	1	
3	43521-25L00	BRACKET,FR FOOTREST,L	1	
4	43526-18K00	BAR,FRONT FOOTREST,L	1	
5	43571-25L00	TAPE,FR FOOTREST,R	1	
6	43572-25L00	TAPE,FR FOOTREST,L	1	
7	43576-07D01	BOLT,BANK SENSOR	2	
8	09106-08181	BOLT (8X23)	4	
9	09208-08019	PIN	2	
10	09448-14046	SPRING	2	
11	08332-1106A	E-RING	2	



FIG.417A

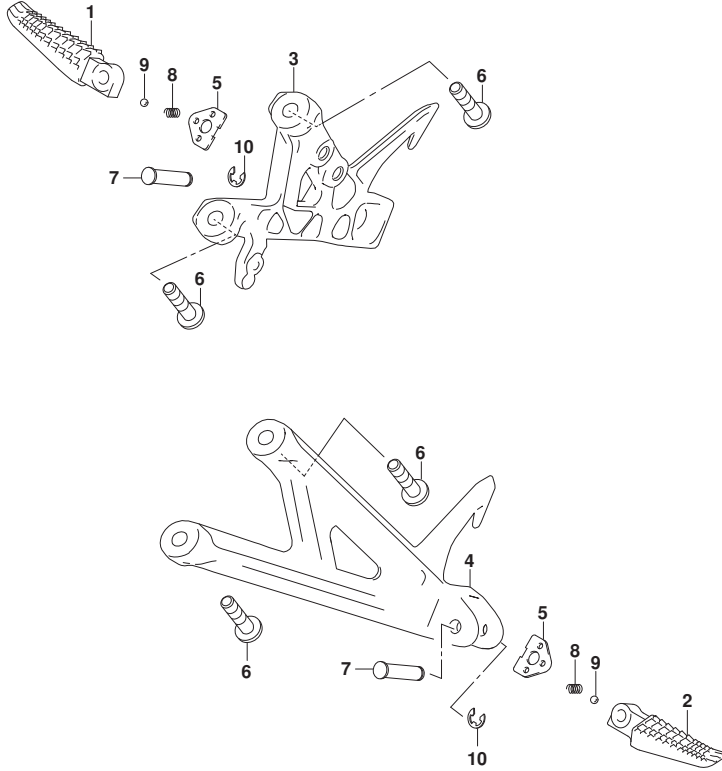


FIG.417A (1-E-5) PILLION FOOTREST

REF NO.	PART NO.	DESCRIPTION	Q'TY	REMARKS
1	43611-20K20	BAR,PILLION FOOTREST,R	1	
2	43621-20K20	BAR,PILLION FOOTREST,L	1	
3	43811-25L00	BRACKET,PILLION FOOTREST,R	1	
4	43821-25L00	BRACKET,PILLION FOOTREST,L	1	
5	43816-01H20	PLATE,PILLION FOOTREST	2	
6	09106-08214	BOLT	4	
7	09208-08018	PIN	2	
8	09440-05003	SPRING	2	
9	06111-07004	BALL	2	
10	08332-1106A	E-RING	2	



FIG.420A

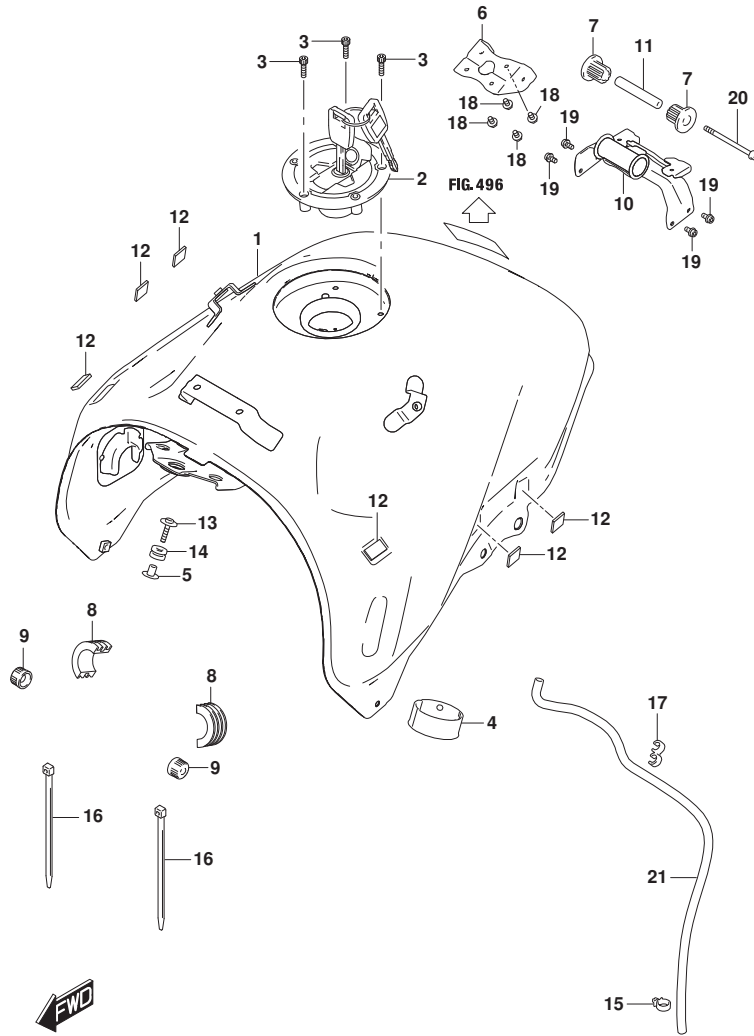


FIG.420A (1-E-6) FUEL TANK

REF NO.	PART NO.	DESCRIPTION	Q'TY	REMARKS
1-1	44100-25L10-YVB	TANK ASSY,FUEL (BLACK)	1	BODY COLOR:YKV,YSF,QZY
1-2	44100-25L10-YKV	TANK ASSY,FUEL (BLACK)	1	BODY COLOR:QKA
2	44200-17840	CAP SET,FUEL TANK FILLER	1	
3	44244-11J00	BOLT,FUEL TANK FILLER CAP	3	
4	44121-07L00	VESSEL,FUEL TANK INNER	1	
5	44512-04K00	SPACER,FUEL TANK FRONT	1	
6	44530-25L00	BRACKET,FUEL TANK NO.1	1	
7	44541-02F01	CUSHION,FUEL TANK RR	2	
8	44541-25L00	CUSHION,FUEL TANK SIDE	2	
9	44542-25L00	CUSHION,FUEL TANK FRONT	2	
10	44550-25L00	BRACKET,FUEL TANK REAR	1	
11	44561-25L10	SPACER,FUEL TANK REAR	1	
12	47912-37H00	FASTENER,FRAME COVER (15X25)	6	
13	09116-06172	BOLT (6X30)	1	
14	09320-10050	CUSHION (10X22X13)	1	
15	09403-16412	CLAMP	1	
16	09407-20405	CLAMP (L:202)	2	
17	09408-00043	CLAMP (ID:11.8X2)	1	
18	01550-0610A	BOLT	4	
19	07120-0612B	BOLT	4	
20	07120-0695A	BOLT	1	
21	44423-25L00	HOSE,FUEL TANK DRAIN	1	

FIG.422A

**FIG.422A (1-E-7) FUEL TANK FRONT COVER**

REF NO.	PART NO.	DESCRIPTION	Q'TY	REMARKS
1	47561-25L00	COVER,FUEL TANK	1	
2	68281-47HA0	EMBLEM,S	1	
3	09409-06314	CLIP (5.9X20.5)	4	

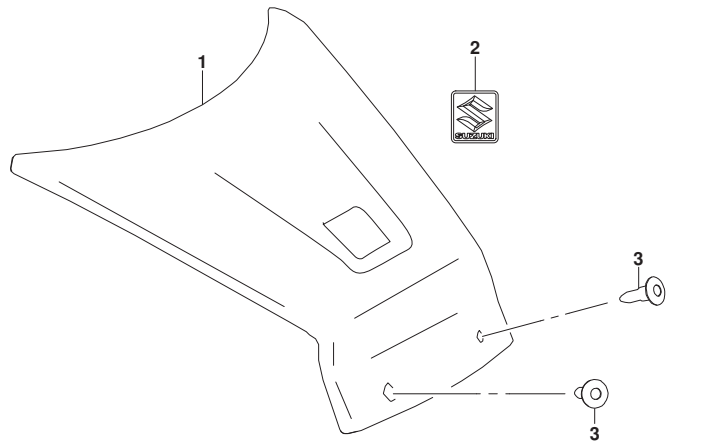




FIG.427A



FIG.427A (1-E-8) EVAP SYSTEM

REF NO.	PART NO.	DESCRIPTION	Q'TY	REMARKS
1	18114-74P00	VALVE,CANISTER PURGE	1	
2	18560-25L00	CANISTER ASSY,EVAP	1	
3	18565-25L00	COVER,CANISTER	1	
4	18568-25L00	CLIP,EVAP HOSE NO.1	1	
5	18572-25L00	CUSHION,CANISTER	1	
6	09401-10401	CLIP	2	
7	09401-11403	CLIP (ID:11)	3	
8	01547-0612A	BOLT	2	
9	18570-25L00	BRACKET,CANISTER	1	
10	08316-1006A	NUT (6X12)	1	
11	18561-25L00	HOSE,SURGE	1	
12	18562-25L00	HOSE,PURGE NO.1	1	
13	18563-25L00	HOSE,PURGE NO.2	1	

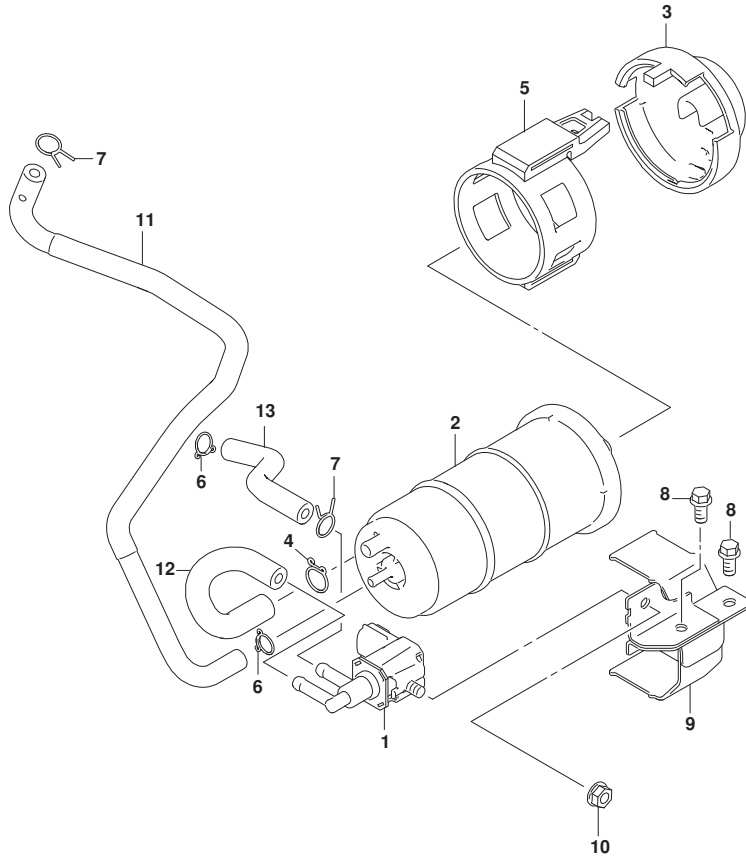


FIG.433A

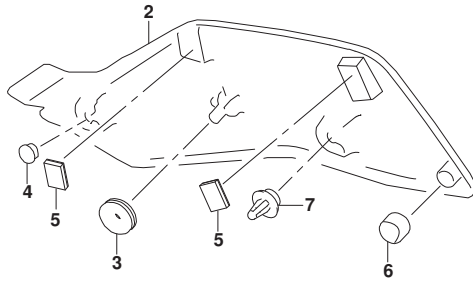


FIG.433A (1-E-9) SIDE COVER

REF NO.	PART NO.	DESCRIPTION	QTY	REMARKS
1	47311-25L00	COVER,FRAME FRONT,R	1	
2	47321-25L00	COVER,FRAME FRONT,L	1	
3	44173-14J00	CUSHION,FUEL TANK COVER SIDE	2	
4	45148-27J00	CUSHION,SEAT MOUNT	2	
5	47315-25L00	FASTENER,FRAME COVER	4	
6	09251-09008	CAP (OD:13.6)	2	
7	09409-10313	CLIP	2	

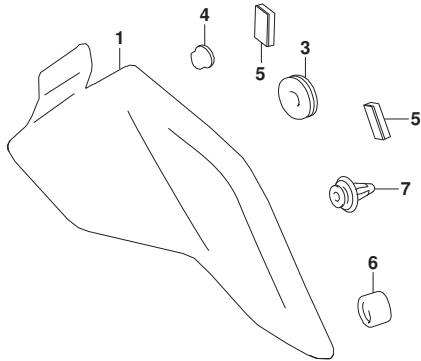


FIG.434A

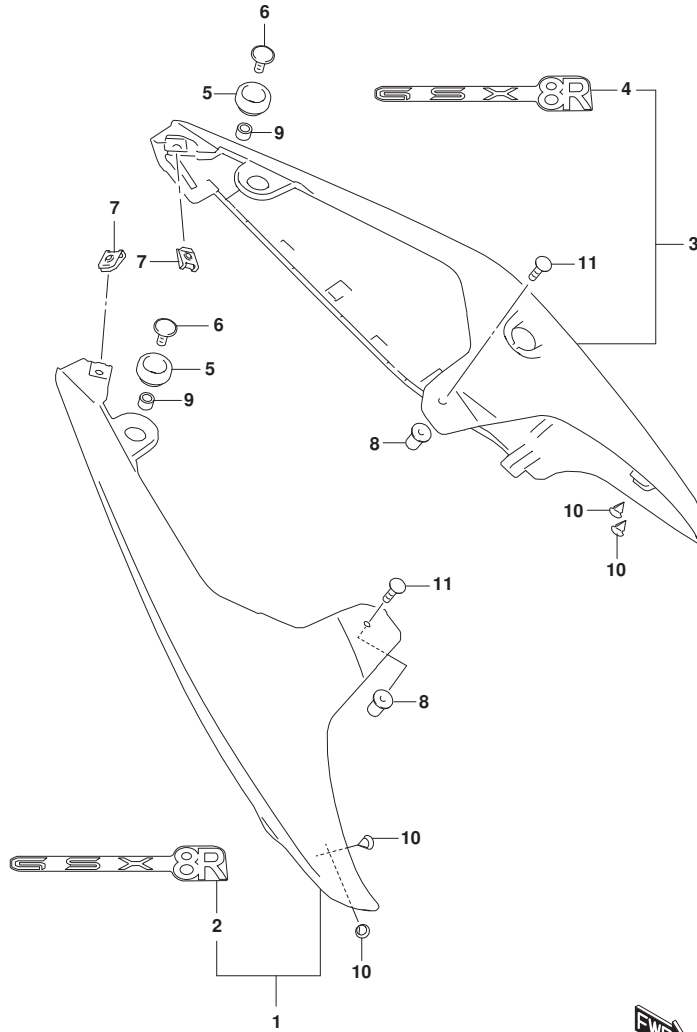


FIG.434A (1-E-10) SIDE REAR COVER

REF NO.	PART NO.	DESCRIPTION	Q'TY	REMARKS
1-1	47110-25L10-YKV	COVER,FRAME,R (BLACK)	1	BODY COLOR:YKV
1-2	47110-25L10-YSF	COVER,FRAME,R (BLUE)	1	BODY COLOR:YSF
1-3	47110-25L10-QKA	COVER,FRAME,R (SILVER)	1	BODY COLOR:QKA
1-4	47110-25L10-QZY	COVER,FRAME,R	1	BODY COLOR:QZY
2-1	68131-25L10-CK8	.EMBLEM,FRAME COVER (GRAY,BLAC K)	1	BODY COLOR:YKV
2-2	68131-25L10-CP9	.EMBLEM,FRAME COVER	1	BODY COLOR:YSF
2-3	68131-25L10-CQA	.EMBLEM,FRAME COVER	1	BODY COLOR:QKA
2-4	68131-25L10-CQB	.EMBLEM,FRAME COVER	1	BODY COLOR:QZY
3-1	47210-25L10-YKV	COVER,FRAME,L (BLACK)	1	BODY COLOR:YKV
3-2	47210-25L10-YSF	COVER,FRAME,L (BLUE)	1	BODY COLOR:YSF
3-3	47210-25L10-QKA	COVER,FRAME,L (SILVER)	1	BODY COLOR:QKA
3-4	47210-25L10-QZY	COVER,FRAME,L	1	BODY COLOR:QZY
4-1	68131-25L10-CK8	.EMBLEM,FRAME COVER (GRAY,BLAC K)	1	BODY COLOR:YKV
4-2	68131-25L10-CP9	.EMBLEM,FRAME COVER	1	BODY COLOR:YSF
4-3	68131-25L10-CQA	.EMBLEM,FRAME COVER	1	BODY COLOR:QKA
4-4	68131-25L10-CQB	.EMBLEM,FRAME COVER	1	BODY COLOR:QZY
5	47312-37H20	CUSHION,FRAME COVER CTR	2	
6	09136-06056	SCREW (6X16)	2	
7	09148-05038	NUT (M5)	2	
8	09159-05019	NUT (M5)	2	
9	09180-06283	SPACER (6.5X10X7)	2	
10	09250-06017	PLUG (OD:10)	4	
11	02142-1520A	SCREW	2	

FIG.443A

FIG.443A (1-E-11) FRAME CENTER COVER

REF NO.	PART NO.	DESCRIPTION	Q'TY	REMARKS
1	47411-25L00	COVER,FRAME CENTER	1	
2	09409-06314	CLIP (5.9X20.5)	2	
3	03541-0512A	SCREW	2	

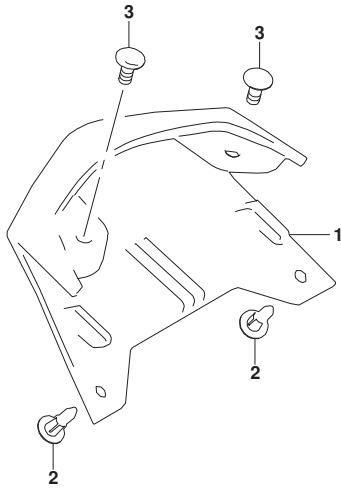


FIG.447A

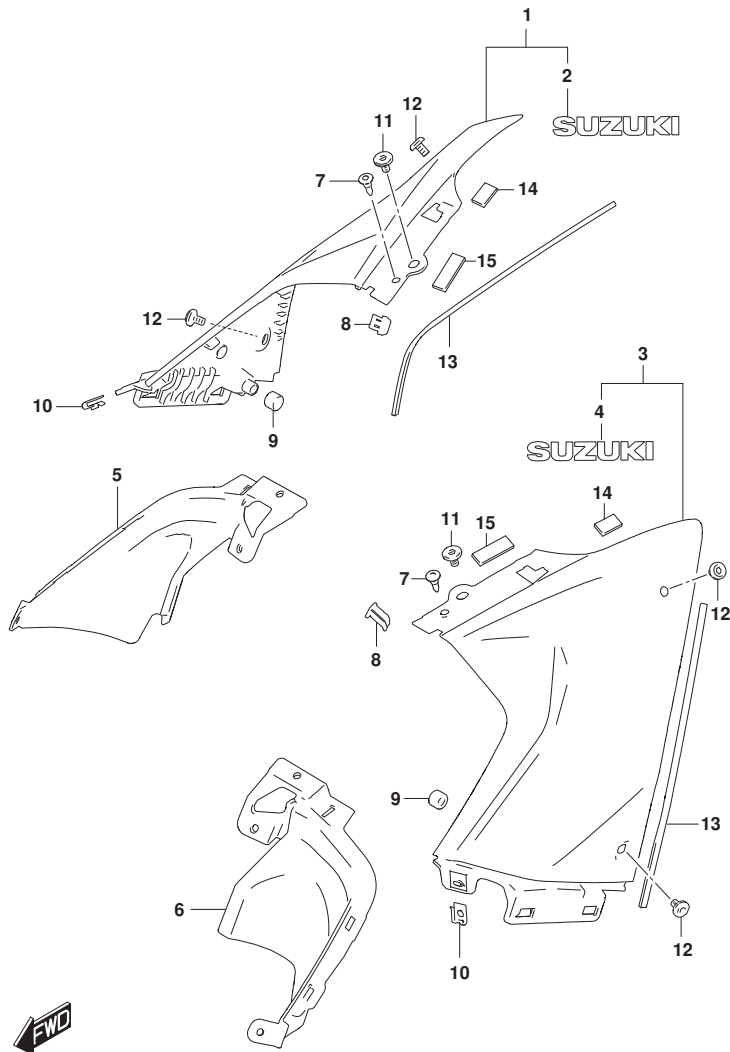


FIG.447A (1-E-12) FRAME BODY COVER

REF NO.	PART NO.	DESCRIPTION	Q'TY	REMARKS
1-1	94470-25L00-YKV	COWLING, SIDE REAR, R (BLACK)	1	BODY COLOR: YKV
1-2	94470-25L00-YSF	COWLING, SIDE REAR, R (BLUE)	1	BODY COLOR: YSF
1-3	94470-25L00-QKA	COWLING, SIDE REAR, R (SILVER)	1	BODY COLOR: QKA
1-4	94470-25L00-QZY	COWLING, SIDE REAR, R	1	BODY COLOR: QZY
2-1	68111-25L00-019	.EMBLEM, SUZUKI (BLACK)	1	BODY COLOR: YKV, QKA, QZY
2-2	68111-25L00-QKA	.EMBLEM, "SUZUKI" (SILVER)	1	BODY COLOR: YSF
3-1	94480-25L00-YKV	COWLING, SIDE REAR, L (BLACK)	1	BODY COLOR: YKV
3-2	94480-25L00-YSF	COWLING, SIDE REAR, L (BLUE)	1	BODY COLOR: YSF
3-3	94480-25L00-QKA	COWLING, SIDE REAR, L (SILVER)	1	BODY COLOR: QKA
3-4	94480-25L00-QZY	COWLING, SIDE REAR, L	1	BODY COLOR: QZY
4-1	68111-25L00-019	.EMBLEM, SUZUKI (BLACK)	1	BODY COLOR: YKV, QKA, QZY
4-2	68111-25L00-QKA	.EMBLEM, "SUZUKI" (SILVER)	1	BODY COLOR: YSF
5	94463-25L00	COWLING, INNER RR, R	1	
6	94464-25L00	COWLING, INNER RR, L	1	
7	09409-06314	CLIP (5.9X20.5)	3	
8	09409-08012	CLIP	2	
9	09251-09008	CAP (OD:13.6)	2	
10	09148-05052	NUT (M5)	2	
11	09139-06225	BOLT (6X12)	2	
12	09139-06247	BOLT	4	
13	44278-14J00	CUSHION, FUEL TANK SIDE COVER	2	
14	47512-10D00	CUSHION (20X20X2)	2	
15	47545-25L00	CUSHION, FRAME BODY UPPER	2	

FIG.460A

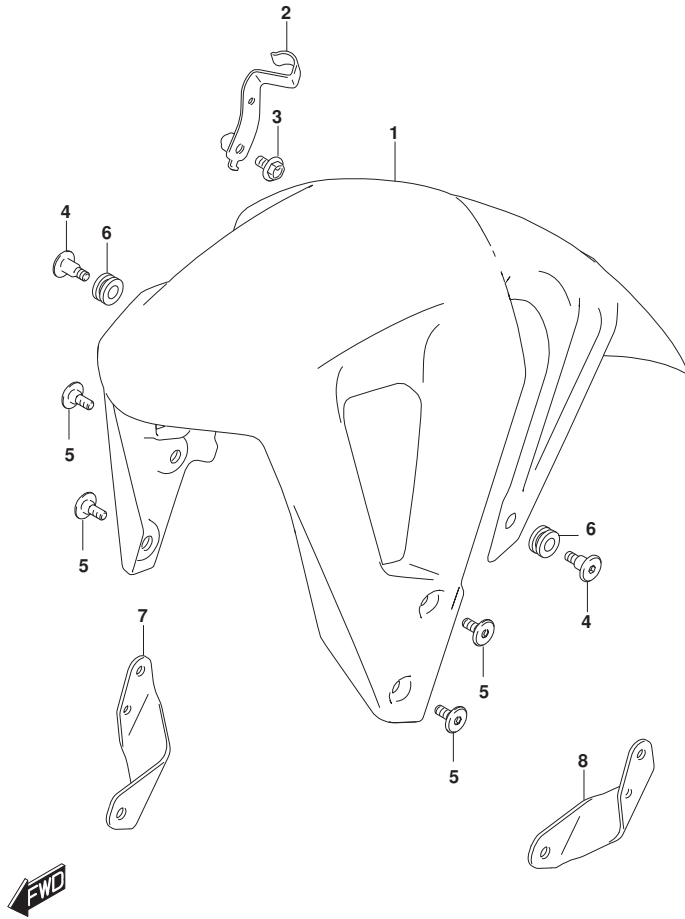


FIG.460A (1-E-13) FRONT FENDER

REF NO.	PART NO.	DESCRIPTION	Q'TY	REMARKS
1-1	53111-25L00-YKV	FENDER,FRONT (BLACK)	1	BODY COLOR:YKV
1-2	53111-25L00-YSF	FENDER,FRONT (BLUE)	1	BODY COLOR:YSF
1-3	53111-25L00-QKA	FENDER,FRONT (SILVER)	1	BODY COLOR:QKA
1-4	53111-25L00-QZY	FENDER,FRONT	1	BODY COLOR:QZY
2	53120-25L00	CLAMP,BRAKE HOSE,R	1	
3	09111-06106	BOLT (6X12)	1	
4	09139-06206	SCREW (6X20)	2	
5	09139-06222	SCREW (6X16)	4	
6	09320-09016	CUSHION (9X18X9.5)	2	
7	47451-25L00	BRACKET,FRONT SIDE RR,R	1	
8	47455-25L00	BRACKET,FRONT SIDE RR,L	1	

FIG.462A

FIG.462A (1-E-14) HANDLEBAR

REF NO.	PART NO.	DESCRIPTION	Q'TY	REMARKS
1	56111-25L20	HANDLEBAR,R	1	
2	56151-25L20	HANDLEBAR,L	1	
3	56277-17K00	BOLT,HANDLE BALANCER	2	
4	56278-25L10	BALANCER,HANDLEBAR	2	
5	09106-10103	BOLT,HANDLEBAR	4	
6	09250-08012	CAP (OD:12)	4	
7	08319-3110B	NUT	4	

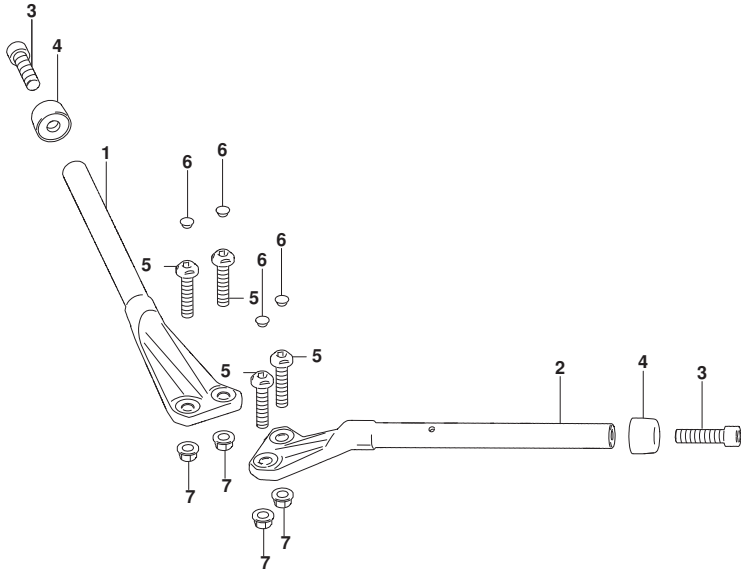


FIG.464A

FIG.464A (1-E-15) REAR VIEW MIRROR

REF NO.	PART NO.	DESCRIPTION	Q'TY	REMARKS
1	56500-25L00	MIRROR ASSY,REAR VIEW,R	1	
2	56600-25L00	MIRROR ASSY,REAR VIEW,L	1	
3	09250-05009	CAP (OD:10)	4	
4	07130-0625B	BOLT	4	

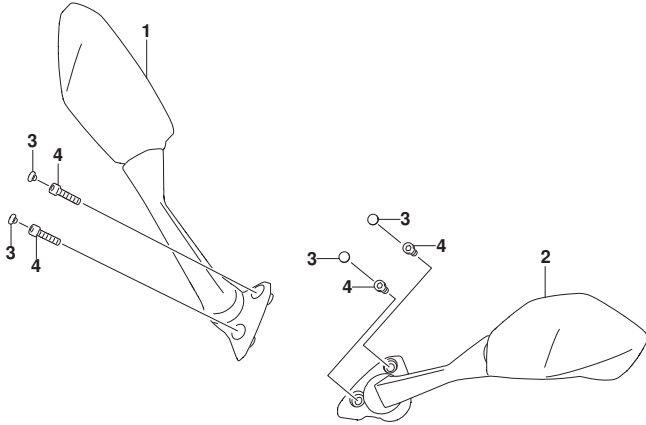




FIG.466A

FIG.466A (1-E-16) CONTROL CABLE

REF NO.	PART NO.	DESCRIPTION	Q'TY	REMARKS
1	58200-25L10	CABLE ASSY,CLUTCH	1	
2	58620-25L10	GUIDE,CLUTCH CABLE	1	
3	58634-25L00	STOPPER,CLUTCH CABLE	1	
4	09403-20311	CLAMP	1	
5	09407-17403	CLAMP (L:170)	1	
6	01547-0612A	BOLT	2	
7	01550-0616A	BOLT	2	

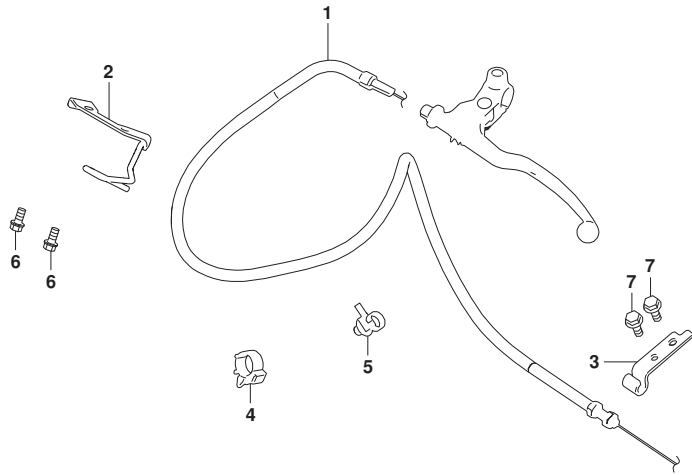


FIG.467A

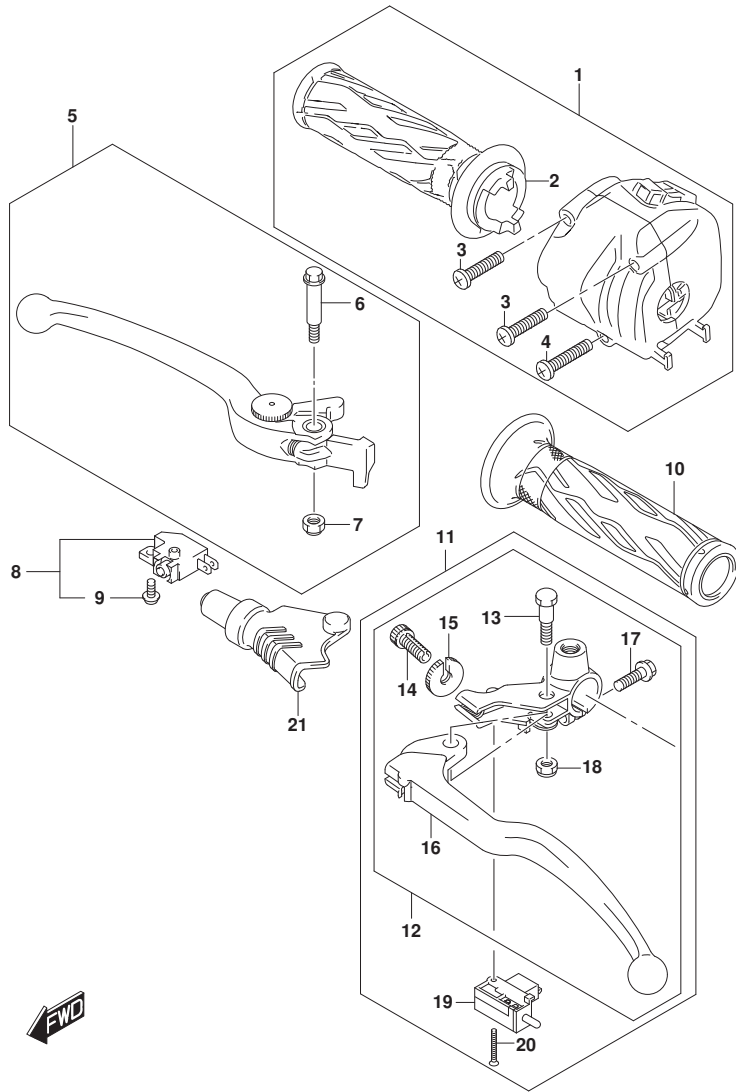


FIG.467A (1-F-2) HANDLE LEVER

REF NO.	PART NO.	DESCRIPTION	Q'TY	REMARKS
1	57100-06L61	GRIP ASSY, THROTTLE	1	
2	57110-06L10	.GRIP, THROTTLE	1	
3	02112-0530B	.SCREW	2	
4	02112-0540B	.SCREW	1	
5	57300-44G20	LEVER ASSY, BRAKE	1	
6	57431-17H02	.BOLT, LEVER PIVOT	1	
7	08319-2106A	.NUT	1	
8	57460-14J02	SWITCH ASSY, FR BRAKE	1	
9	57465-17C00	.SCREW, WITH WASHER (4X12)	1	
10	57211-21H01	GRIP, L	1	
11	57059-25D70	LEVER SET, CLUTCH	1	
12	57500-25D70	.LEVER ASSY, CLUTCH	1	
13	57431-21D11	..BOLT, LEVER PIVOT	1	
14	57441-25L00	..ADJUSTER, WIRE	1	
15	57442-45C01	..NUT, LOCK	1	
16	57621-25D10	..LEVER, CLUTCH	1	
17	01547-0620B	..BOLT	1	
18	08319-2106A	..NUT	1	
19	57560-05A10	.SWITCH ASSY, CLUTCH	1	
20	57562-41G01	.SCREW, CLUTCH SWITCH	1	
21	57661-33E01	COVER, CLUTCH LEVER	1	

FIG.474A

FIG.474A (1-F-3) REAR FENDER

REF NO.	PART NO.	DESCRIPTION	Q'TY	REMARKS
1	36125-81P00	SCREW,FRONT POSITION LAMP	6	
2	44894-24A00	CUSHION (10X30X2)	4	
3	47376-20E00	CUSHION,FUEL LID (10X20X3)	2	
4	51827-13G00	CUSHION (15X70X7)	1	
5	63111-25L00	FENDER,REAR FRONT	1	
6	63112-25L00	FENDER,REAR REAR	1	
7	63113-25L00	BRACKET,REAR FENDER	1	
8	63114-25L00	LID,REAR FENDER FRONT	1	
9	63115-25L00	MUDFLAP,REAR FENDER FRONT	1	
10	63116-25L00	FENDER,REAR LOWER	1	
11	63117-25L00	REINF,REAR FENDER BRACKET	1	
12	63121-25L00	COVER,REAR FENDER,R	1	
13	63122-25L00	COVER,REAR FENDER,L	1	
14	94479-35F00	CLIP	6	
15	09111-06107	BOLT (6X12)	2	
16	09139-06225	BOLT (6X12)	2	
17	09148-05038	NUT (M5)	2	
18	09160-05046	WASHER (5.5X20X1.4)	2	
19	09409-06314	CLIP (5.9X20.5)	2	
20	09409-06314	CLIP (5.9X20.5)	4	
21	01547-0616B	BOLT	4	
22	03541-0516B	SCREW	2	
23	01550-0612A	BOLT	1	
24	08316-1006A	NUT (6X12)	1	
25	08322-0106A	WASHER	2	

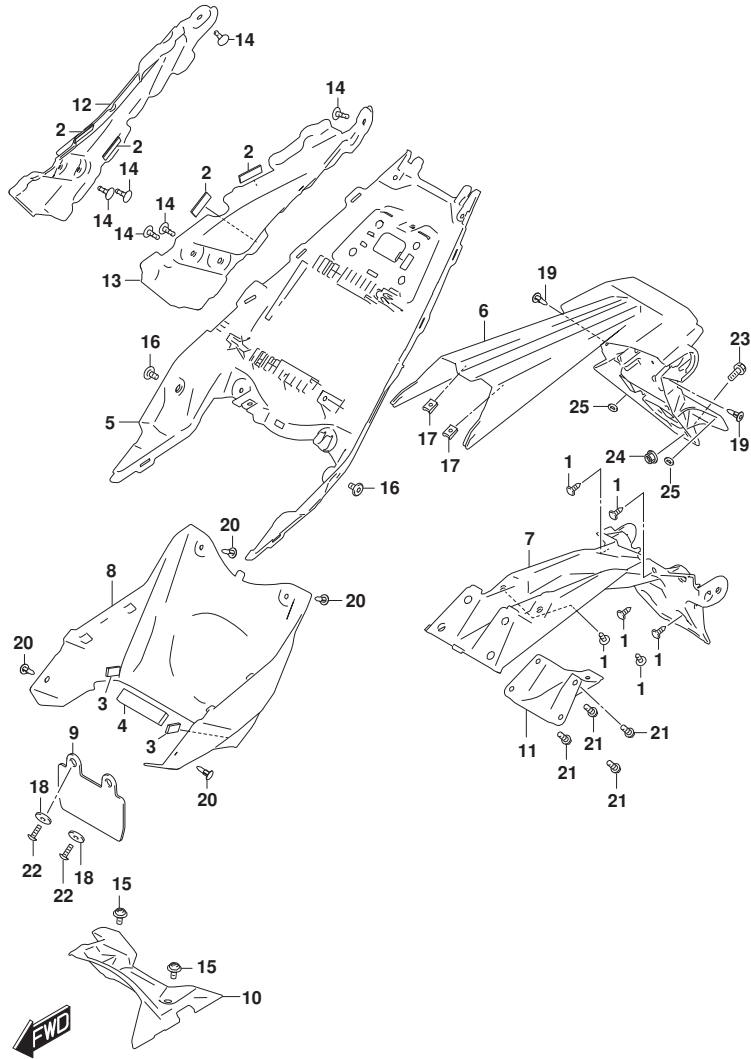
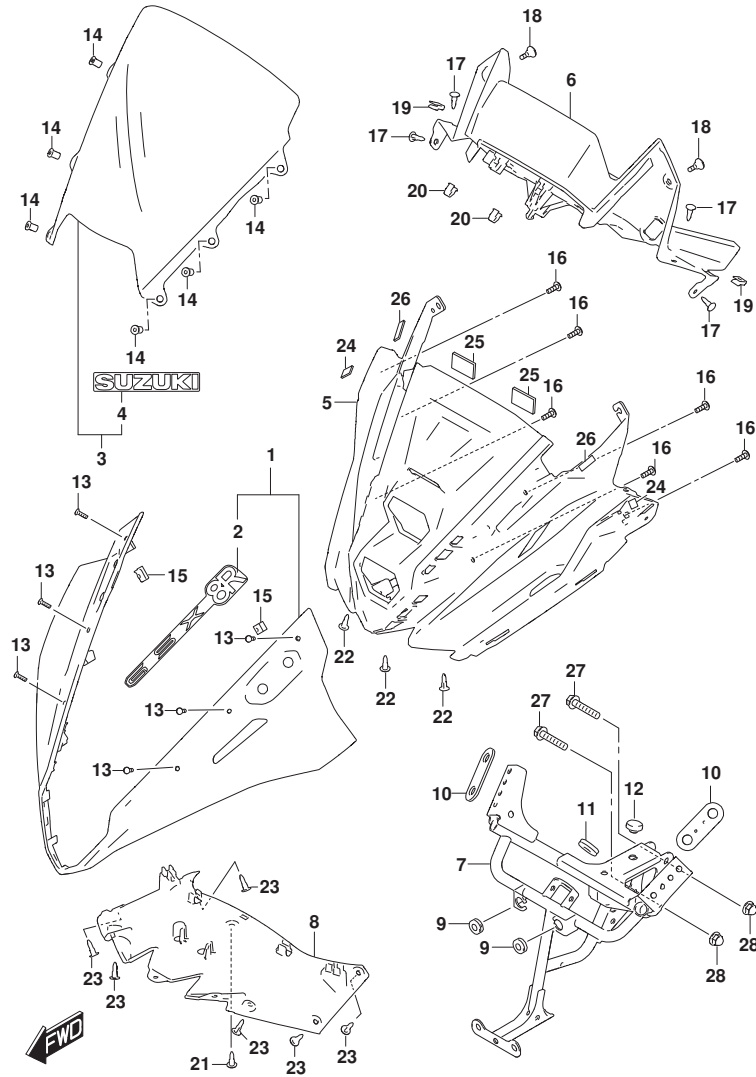


FIG.481A



GSX800FM4\_E21\_481A  
COWLING BODY

FIG.481A (1-F-4) COWLING BODY

REF NO.	PART NO.	DESCRIPTION	Q'TY	REMARKS
1-1	94410-25L00-YKV	COWLING,BODY (BLACK)	1	BODY COLOR:YKV
1-2	94410-25L00-YSF	COWLING,BODY (BLUE)	1	BODY COLOR:YSF
1-3	94410-25L00-QKA	COWLING,BODY (SILVER)	1	BODY COLOR:QKA
1-4	94410-25L00-QZY	COWLING,BODY	1	BODY COLOR:QZY
2-1	68271-25L20-CK8	.EMBLEM,BODY COWLING UPPER (GR AY,BLACK)	1	BODY COLOR:YKV
2-2	68271-25L20-CP9	.EMBLEM,BODY COWLING UPPER	1	BODY COLOR:YSF
2-3	68271-25L20-CQA	.EMBLEM,BODY COWLING UPPER	1	BODY COLOR:QKA
2-4	68271-25L20-CQB	.EMBLEM,BODY COWLING UPPER	1	BODY COLOR:QZY
3	94610-25L00-YD8	WINDSCREEN (SILVER)	1	
4	68181-45H10-YD8	.EMBLEM,SUZUKI (SILVER)	1	
5	94412-25L00	COWLING,BODY	1	
6	94641-25L00	PANEL,METER	1	
7	94510-25L00	BRACE,COWLING	1	
8	94419-25L00	COVER,BODY COWL	1	
9	09320-08515	CUSHION (8.4X18X6)	2	
10	94576-48K00	CUSHION,REAR VIEW MIR	2	
11	09320-08018	CUSHION (8X26X7)	1	
12	09321-10022	CUSHION	1	
13	09139-04008	SCREW,WINDSCREEN	6	
14	09159-04013	NUT,WINDSCREEN	6	
15	09148-05052	NUT (M5)	2	
16	03541-0516A	SCREW	6	
17	09409-06314	CLIP (5.9X20.5)	4	
18	09139-05094	SCREW (5X18)	2	
19	09148-05052	NUT (M5)	2	
20	09409-08326	CLIP (10.5X14.3)	2	
21	09409-06314	CLIP (5.9X20.5)	1	
22	09409-06314	CLIP (5.9X20.5)	3	
23	09409-06314	CLIP (5.9X20.5)	6	
24	63115-37H00	CUSHION (10X10X1)	2	
25	73415-70A00	PAD (8X20X2)	2	
26	94675-07L00	CUSHION (6X25X1)	2	
27	01550-0840A	BOLT	2	
28	08313-2008A	NUT	2	

GSX800FM4\_E21

FIG.483A

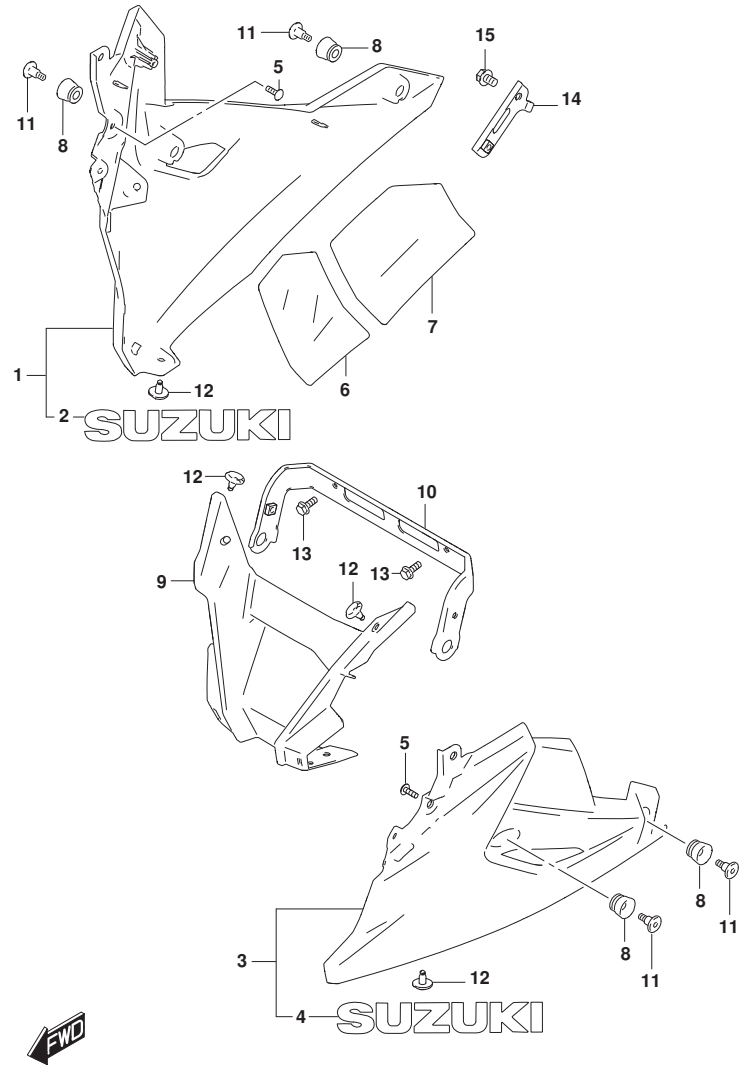


FIG.483A (1-F-5) UNDER COWLING

REF NO.	PART NO.	DESCRIPTION	Q'TY	REMARKS
1-1	94470-25L20-YKV	COWLING,UNDER,R (BLACK)	1	BODY COLOR:YKV
1-2	94470-25L20-YSF	COWLING,UNDER,R (BLUE)	1	BODY COLOR:YSF
1-3	94470-25L20-QKA	COWLING,UNDER,R (SILVER)	1	BODY COLOR:QKA
1-4	94470-25L20-QZY	COWLING,UNDER,R	1	BODY COLOR:QZY
2-1	68181-04KA0-019	.EMBLEM,"SUZUKI" (BLACK)	1	BODY COLOR:YKV,QKA,QZY
2-2	68181-04KA0-QKA	.EMBLEM,"SUZUKI" (SILVER)	1	BODY COLOR:YSF
3-1	94480-25L20-YKV	COWLING,UNDER,L (BLACK)	1	BODY COLOR:YKV
3-2	94480-25L20-YSF	COWLING,UNDER,L (BLUE)	1	BODY COLOR:YSF
3-3	94480-25L20-QKA	COWLING,UNDER,L (SILVER)	1	BODY COLOR:QKA
3-4	94480-25L20-QZY	COWLING,UNDER,L	1	BODY COLOR:QZY
4-1	68181-04KA0-019	.EMBLEM,"SUZUKI" (BLACK)	1	BODY COLOR:YKV,QKA,QZY
4-2	68181-04KA0-QKA	.EMBLEM,"SUZUKI" (SILVER)	1	BODY COLOR:YSF
5	03541-0516B	SCREW	2	
6	94475-25L00	SHIELD,UNDER COWL HEAT,R NO.1	1	
7	94477-25L00	SHIELD,UNDER COWL HEAT,R NO.2	1	
8	94479-15H00	CUSHION,UNDER COWLING,L	4	
9	94491-25L00	COWLING,UNDER CTR	1	
10	94520-25L00	BRACKET COMP,UNDER COWL FR	1	
11	09139-06206	SCREW (6X20)	4	
12	94479-35F00	CLIP	4	
13	09103-06285	BOLT (6X12)	2	
14	94530-25L00	BRACKET COMP,UNDER COWL,R	1	
15	01550-0812B	BOLT	1	



FIG.485A

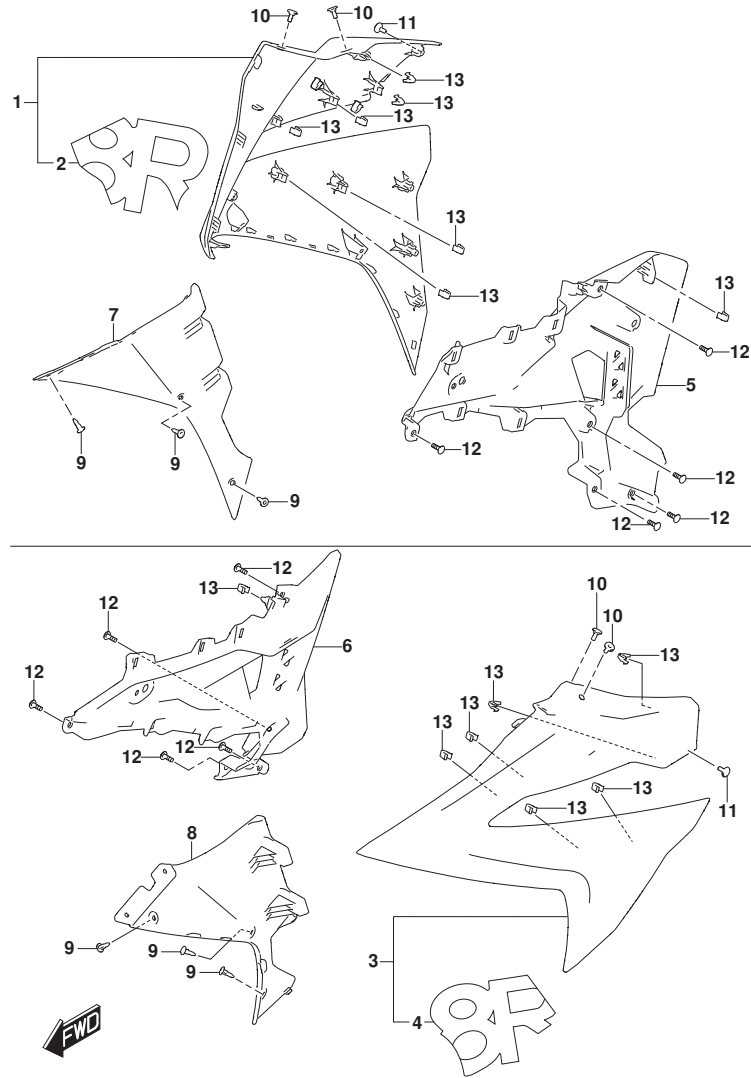


FIG.485A (1-F-6) SIDE COWLING

REF NO.	PART NO.	DESCRIPTION	Q'TY	REMARKS
1-1	94470-25L10-YKV	COWLING,SIDE FRONT,R (BLACK)	1	BODY COLOR:YKV
1-2	94470-25L10-YSF	COWLING,SIDE FRONT,R (BLUE)	1	BODY COLOR:YSF
1-3	94470-25L10-QKA	COWLING,SIDE FRONT,R (SILVER)	1	BODY COLOR:QKA
1-4	94470-25L10-QZY	COWLING,SIDE FRONT,R	1	BODY COLOR:QZY
2-1	68275-25L20-KGL	.TAPE,SIDE COWLING FRONT,R (BLACK)	1	BODY COLOR:YKV
2-2	68275-25L20-CBT	.TAPE,SIDE COWLING FRONT,R	1	BODY COLOR:YSF
2-3	68275-25L20-CQC	.TAPE,SIDE COWLING FRONT,R	1	BODY COLOR:QKA
2-4	68275-25L20-CQD	.TAPE,SIDE COWLING FRONT,R	1	BODY COLOR:QZY
3-1	94480-25L10-YKV	COWLING,SIDE FRONT,L (BLACK)	1	BODY COLOR:YKV
3-2	94480-25L10-YSF	COWLING,SIDE FRONT,L (BLUE)	1	BODY COLOR:YSF
3-3	94480-25L10-QKA	COWLING,SIDE FRONT,L (SILVER)	1	BODY COLOR:QKA
3-4	94480-25L10-QZY	COWLING,SIDE FRONT,L	1	BODY COLOR:QZY
4-1	68285-25L20-KGL	.TAPE,SIDE COWLING FRONT,L (BLACK)	1	BODY COLOR:YKV
4-2	68285-25L20-CBT	.TAPE,SIDE COWLING FRONT,L	1	BODY COLOR:YSF
4-3	68285-25L20-CQC	.TAPE,SIDE COWLING FRONT,L	1	BODY COLOR:QKA
4-4	68285-25L20-CQD	.TAPE,SIDE COWLING FRONT,L	1	BODY COLOR:QZY
5	94472-25L00	COWLING,SIDE,R	1	
6	94482-25L00	COWLING,SIDE,L	1	
7	94461-25L00	COWLING,SIDE INNER,R	1	
8	94462-25L00	COWLING,SIDE INNER,L	1	
9	09409-06314	CLIP (5.9X20.5)	6	
10	09139-05091	SCREW (5X13)	4	
11	09139-05092	SCREW (5X13)	2	
12	03541-0516B	SCREW	10	
13	09409-08326	CLIP (10.5X14.3)	14	

FIG.496A

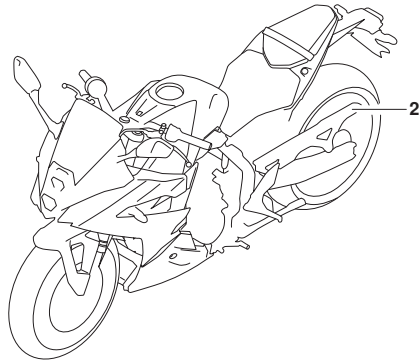
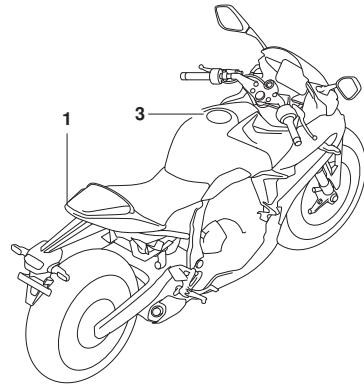


FIG.496A (1-F-7) LABEL

REF NO.	PART NO.	DESCRIPTION	Q'TY	REMARKS
1	68319-25L00	LABEL,GENERAL WARNING	1	
2	68332-25L00	LABEL,TIRE INFORMATION	1	
3	11959-10LB0	LABEL,GASOLINE	1	

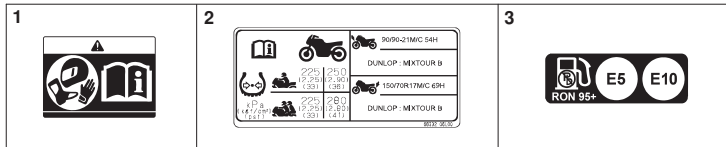


FIG.497A

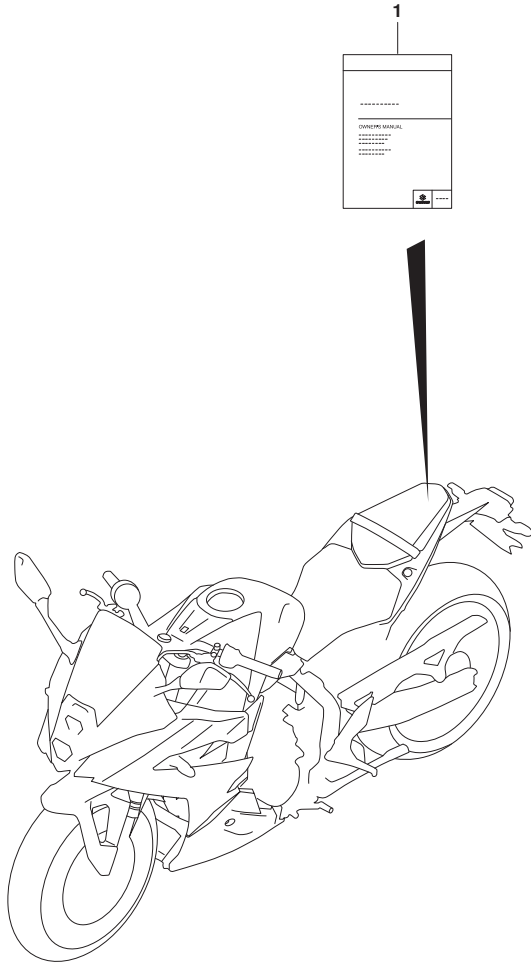


FIG.497A (1-F-8) MANUAL/TOOLS

REF NO.	PART NO.	DESCRIPTION	Q'TY	REMARKS
1-1	99011-25LA1-01A	MANUAL,OWNER'S	1	ENGLISH
1-2	99011-25LA1-01E	MANUAL,OWNER'S	1	ITALIAN
1-3	99011-25LA1-01F	MANUAL,OWNER'S	1	FRENCH
1-4	99011-25LA1-01H	MANUAL,OWNER'S	1	DUTCH
1-5	99011-25LA1-01K	MANUAL,OWNER'S	1	GERMAN
1-6	99011-25LA1-029	MANUAL,OWNER'S	1	SPANISH
1-7	99011-25LA1-01T	MANUAL,OWNER'S	1	DANISH



FIG.505A

FIG.505A (1-F-9) SEAT

REF NO.	PART NO.	DESCRIPTION	Q'TY	REMARKS
1	45100-25L20-QZF	SEAT ASSY (BLACK)	1	
2	45148-27J00	.CUSHION,SEAT MOUNT	2	
3	45149-20K00	.CUSHION	1	
4	47321-20K01	.CUSHION,FRAME COVER R	1	
5	09321-10012	.CUSHION	4	
6	09329-10001	.CUSHION	2	
7	96515-48H00	DRIVER	1	
8	96515-48H10	GRIP,DRIVER	1	
9	45280-20K00	CABLE,SEAT LOCK	1	
10	45288-14F00	GUIDE,SEAT LOCK CABLE	1	
11	45289-11F00	PLATE,SEAT LOCK ASSY	1	
12	45300-25L20-QZF	SEAT ASSY,PILLION (BLACK)	1	
13	45210-21K00	.CUSHION	2	
14	45290-20K00	.STRIKER,SEAT LOCK	1	
15	45380-25L00	.BAND,PILLION SEAT GRIP	1	
16	09160-06088	.WASHER (6.5X20X1.6)	2	
17	08316-1006A	.NUT (6X12)	2	
18	96514-48H00	HEXAGON,SPANNER (5)	1	
19	96514-48H10	HEXAGON,SPANNER (4)	1	
20	95700-14810	LOCK SET,SEAT	1	
21	09126-06019	SCREW (6X30)	2	
22	09139-06244	SCREW	1	
23	09407-18402	CLAMP (L:165)	1	
24	45220-47H00	BRACKET,SEAT SUPPORT	1	

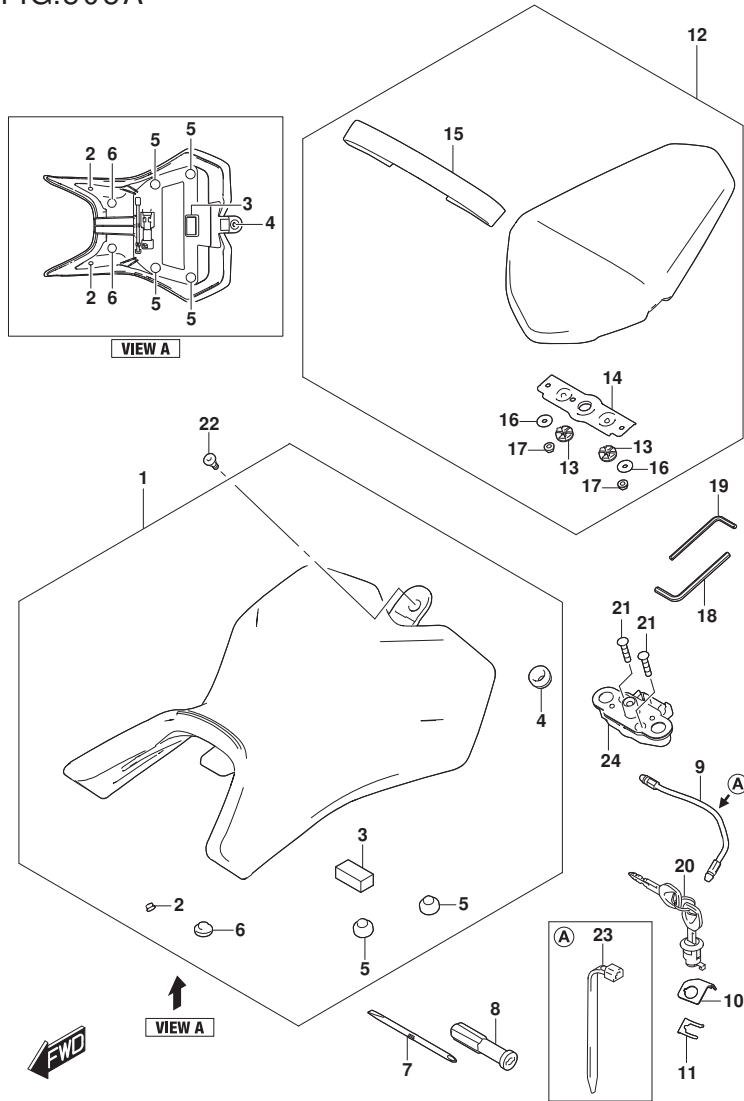


FIG.521A

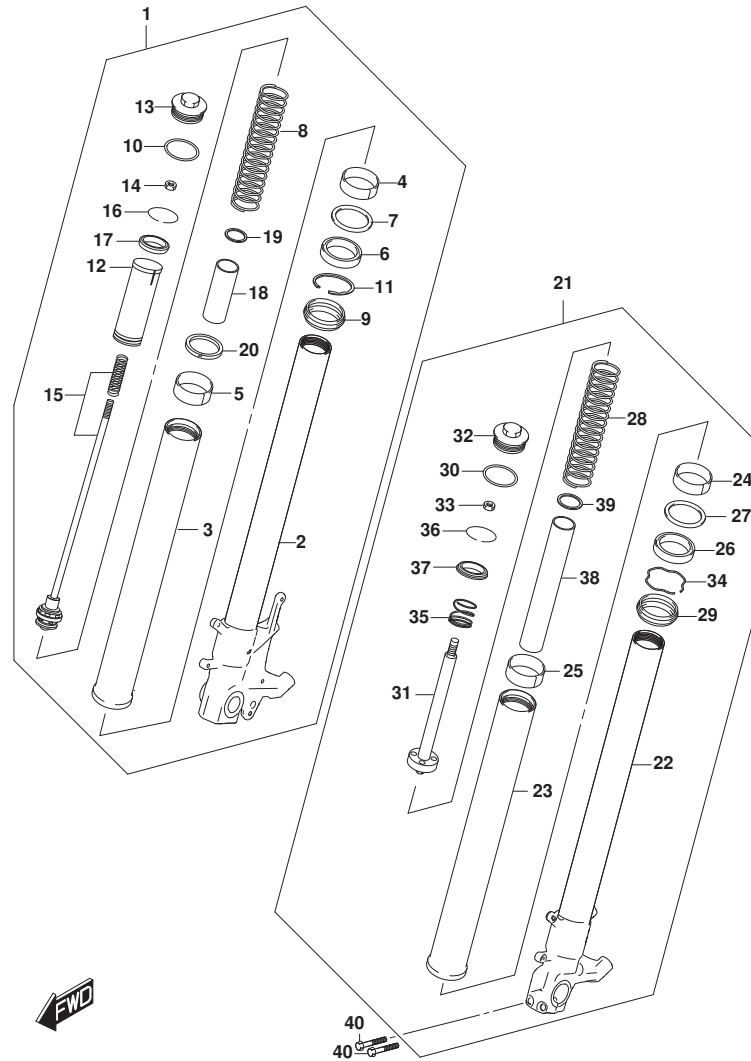


FIG.521A (1-F-10) FRONT FORK DAMPER

REF NO.	PART NO.	DESCRIPTION	Q'TY	REMARKS
1	51103-25L10	DAMPER ASSY,R	1	
2	51110-25L10	.TUBE,INNER,R	1	
3	51131-25L10	.TUBE,OUTER	1	
4	51152-01H10	BUSH,GUIDE	1	
5	51152-14J00	BUSH,SLIDE	1	
6	51153-01H10	.SEAL,OIL	1	
7	51168-38B00	.SPACER,SEAL	1	
8	51171-25L10	.SPRING,FR	1	
9	51173-15D00	.DUST SEAL	1	
10	51187-15D50	.O-RING	1	
11	51156-25L20	.INTERNAL CIRCLIP	1	
12	51174-25L10	.ROD GUIDE CASE	1	
13	51189-25L10	.BOLT,FORK	1	
14	51827-25L20	.NUT	1	
15	52110-25L10	.PISTON ROD	1	
16	51118-25L10	.RING STOPPER	1	
17	51136-25L10	.STOPPER	1	
18	51175-25L10	.COLLAR,SPRING	1	
19	51178-25L10	.SPRING JOINT	1	
20	51196-25L10	.PISTON RING B	1	
21	51104-25L10	DAMPER ASSY,L	1	
22	51210-25L10	.TUBE,INNER,L	1	
23	51131-25L10	.TUBE,OUTER	1	
24	51152-01H10	BUSH,GUIDE	1	
25	51152-14J00	BUSH,SLIDE	1	
26	51153-01H10	.SEAL,OIL	1	
27	51168-38B00	.SPACER,SEAL	1	
28	51171-25L10	.SPRING,FR	1	
29	51173-15D00	.DUST SEAL	1	
30	51187-15D50	.O-RING	1	
31	51128-25L10	.JOINT ROD	1	
32	51189-25L10	.BOLT,FORK	1	
33	51827-25L20	.NUT	1	
34	51556-38B00	.RING,STOPPER	1	
35	51177-25L10	.SPRING,REBOUND	1	

FIG.521A

FIG.521A (1-F-11) FRONT FORK DAMPER

REF NO.	PART NO.	DESCRIPTION	Q'TY	REMARKS
36	51118-25L10	.RING STOPPER	1	
37	51126-25L10	.STOPPER	1	
38	51176-25L10	.COLLAR,SPRING	1	
39	51178-25L10	.SPRING JOINT	1	
40	51328-44HB0	BOLT	2	

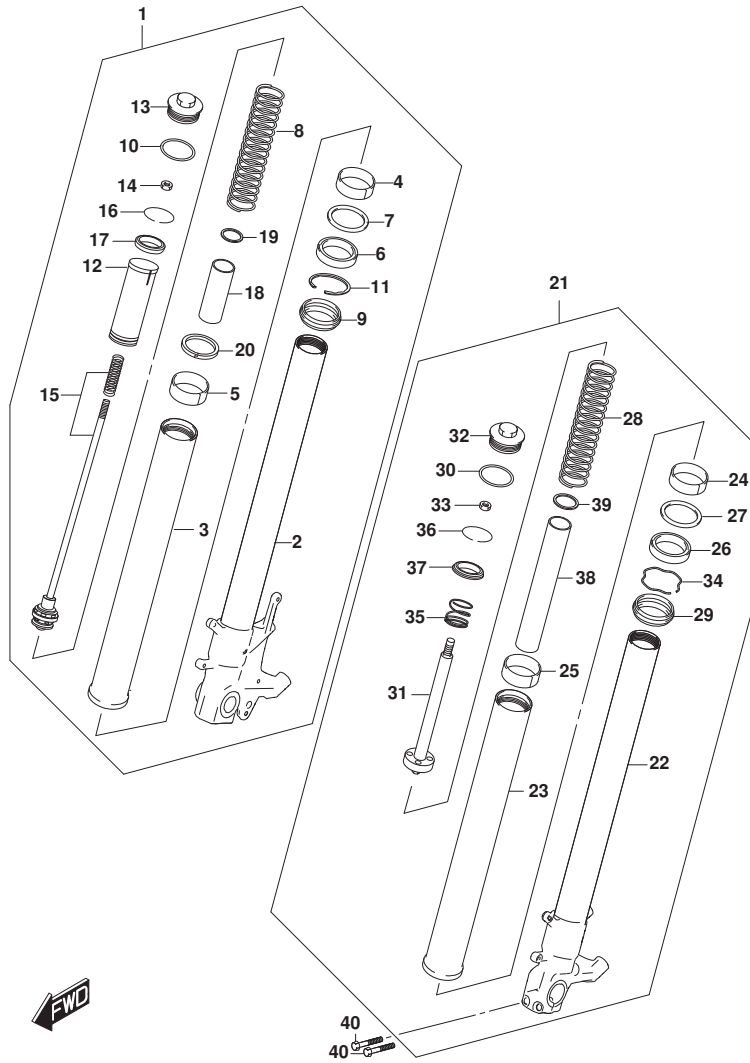


FIG.524A

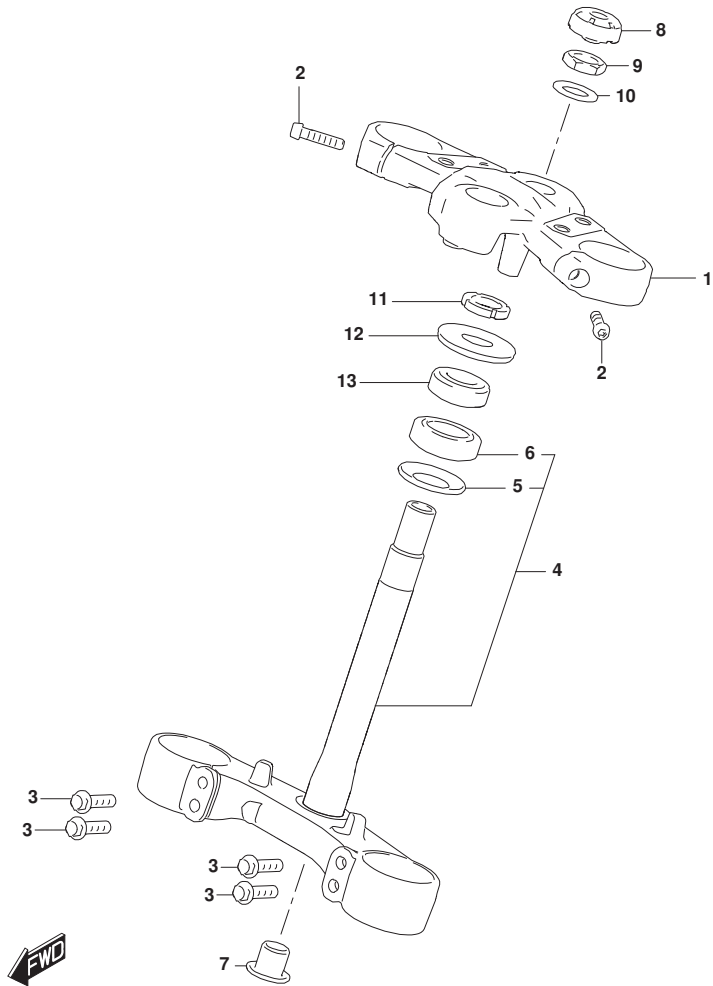


FIG.524A (1-F-12) STEERING STEM

REF NO.	PART NO.	DESCRIPTION	Q'TY	REMARKS
1	51311-25L10-291	BRACKET,UPPER (BLACK)	1	
2	51328-25L30	BOLT,BRACKET	2	
3	51321-27C40	BOLT,HANDLE HOLDER (8X35)	4	
4	51410-25L10	BRACKET,UNDER	1	
5	51644-12C00	.SEAL,STEERING LWR (30.1X56X4)	1	
6	09265-30020	.BEARING (30X55X17)	1	
7	51482-44H00	CAP	1	
8	51344-13K00	CAP,STEERING STEM	1	
9	51353-13K00	NUT	1	
10	51356-13K00	WASHER	1	
11	51631-08D30	NUT,STEERING	1	
12	51643-01B10	SEAL,STEERING UPR DUST	1	
13	09265-25038	BEARING (25X47X15)	1	

FIG.526A

FIG.526A (1-F-13) SPEED SENSOR

REF NO.	PART NO.	DESCRIPTION	Q'TY	REMARKS
1	55710-25L00	SENSOR,FR WHEEL SPEED	1	
2	55731-06L00	CLAMP,FR WHEEL SPEED SENSOR	1	
3	65710-25L00	SENSOR,RR WHEEL SPEED	1	
4	09408-00184	CLAMP	1	
5	09408-00241	CLAMP	1	
6	09408-00266	CLAMP	3	
7	09408-00266	CLAMP	5	
8	01547-0616A	BOLT	3	

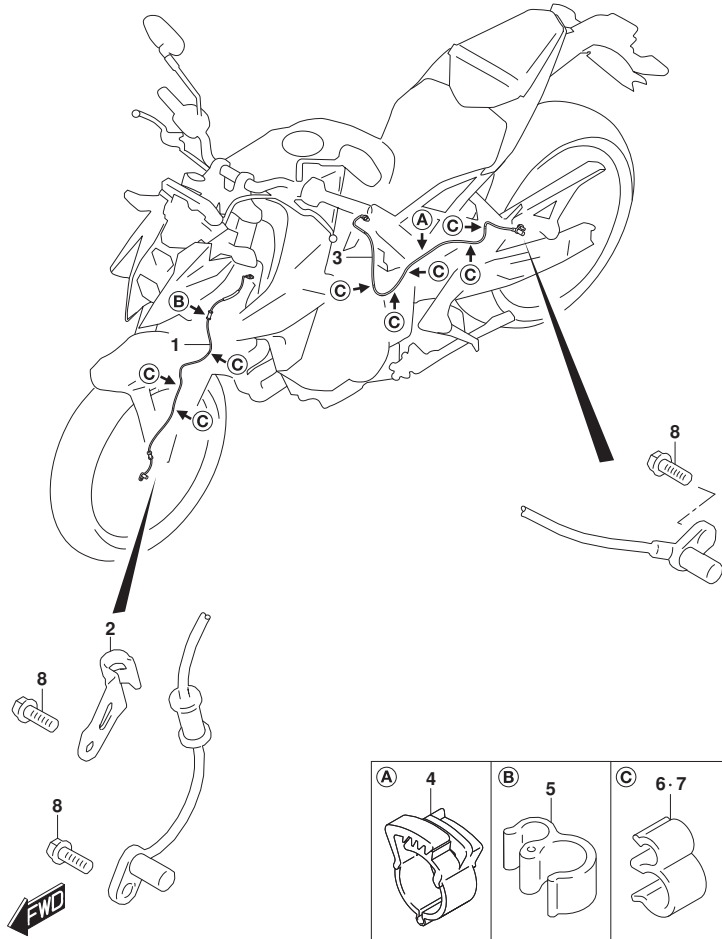


FIG.530A

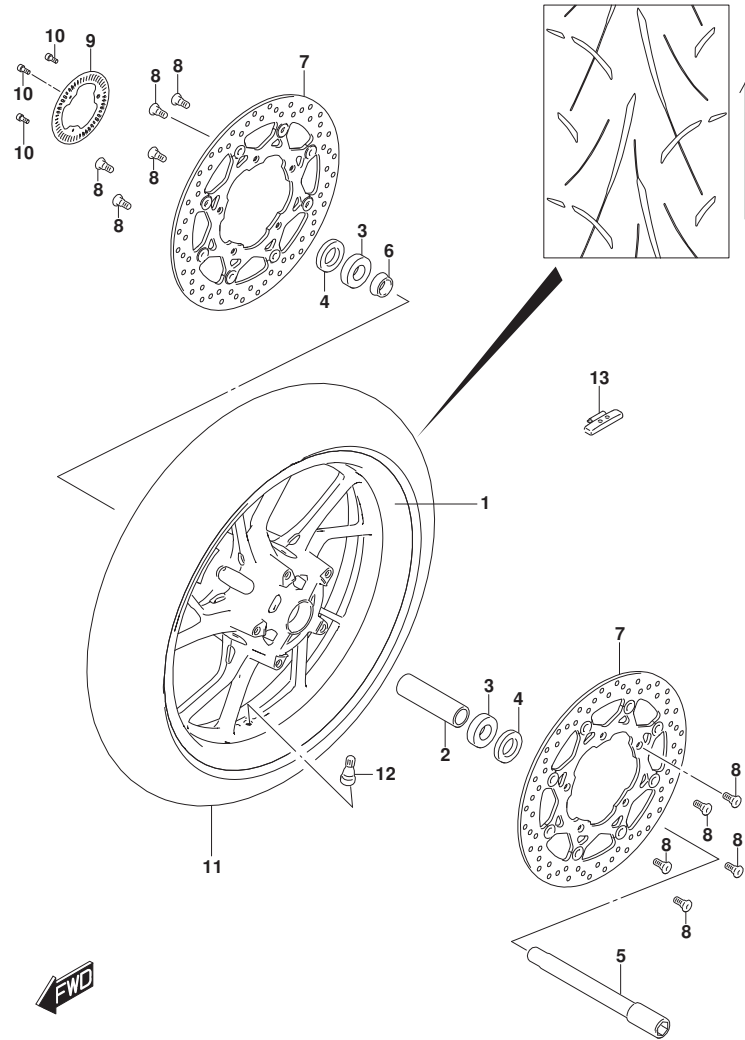


FIG.530A (1-F-14) FRONT WHEEL

REF NO.	PART NO.	DESCRIPTION	Q'TY	REMARKS
1-1	54111-25L00-019	WHEEL,FRONT (17M/CXMT3.50,BLAC K)	1	BODY COLOR:YKV
1-2	54111-25L00-QZP	WHEEL,FRONT (17M/CXMT3.50,GRAY )	1	BODY COLOR:YSF,QZY
1-3	54111-25L00-Q1D	WHEEL,FRONT (17M/CXMT3.50,RED)	1	BODY COLOR:QKA
2	54731-14J00	SPACER,FR HUB BEARING	1	
3	09262-22049	BEARING	2	
4	09283-28028	SEAL,OIL	2	
5	54711-25L10	AXLE,FRONT	1	
6	54751-14J00	SPACER,FR AXLE,L	1	
7	59210-44G11	DISC,FR BRAKE	2	
8	09106-08160	BOLT (8X21)	10	
9	54162-44H00	RING,SPEED SENSOR FR (50T)	1	
10	07130-0512A	BOLT	3	
11	55110-25L00	TIRE,FRONT (120/70ZR17M/C(58W )	1	
12	#43130-24A00	VALVE ASSY,WHEEL RIM (TR412)	1	
13-1	55411-22H00	BALANCER,WHEEL (10G)	AR	
13-2	55412-22H00	BALANCER,WHEEL (20G)	AR	
13-3	55413-22H00	BALANCER,WHEEL (30G)	AR	

FIG.533A

FIG.533A (1-F-15) HYDRAULIC UNIT

REF NO.	PART NO.	DESCRIPTION	Q'TY	REMARKS
1	55610-25L00	UNIT ASSY, HYDRAULIC ABS	1	
2	55650-25L00	HOLDER, HYDR UNIT ABS	1	
3	55662-10G00	SPACER, HYDR UNIT MTG (#05)	3	
4	55663-10G00	RUBBER, HYDR UNIT MTG	3	
5	09116-06150	BOLT (6X25)	3	
6	01550-0612A	BOLT	2	

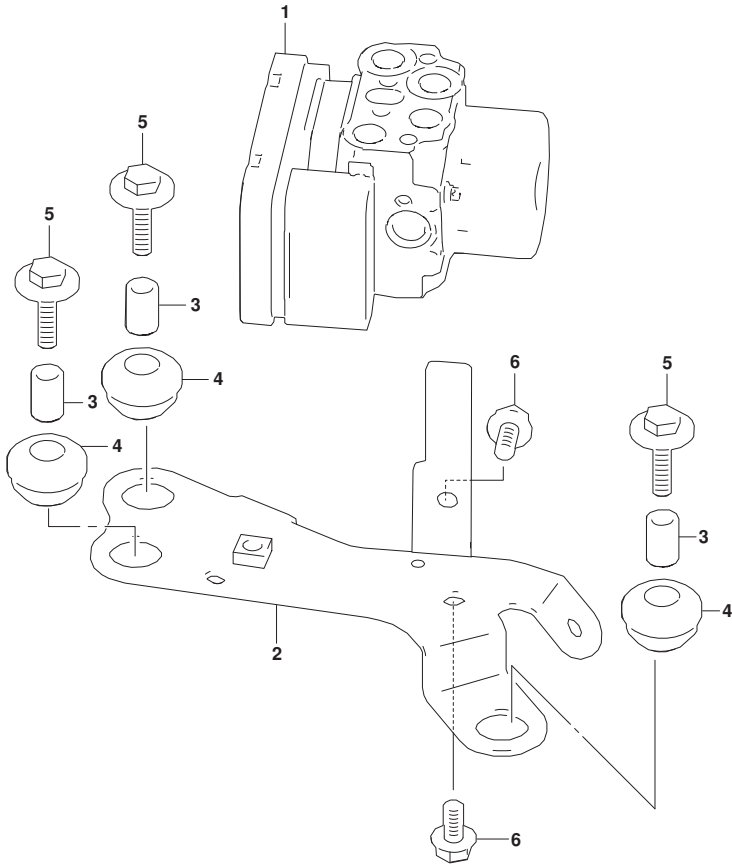


FIG.535A

FIG.535A (1-F-16) FRONT CALIPER

REF NO.	PART NO.	DESCRIPTION	Q'TY	REMARKS
1	59100-23H40-999	CALIPER ASSY,FRONT,R	1	
2	59100-23860	.PISTON SET	1	
3	59100-23810	..SEAL SET,PISTON	1	
4	59121-01A00	.BLEEDER	1	
5	59122-01A00	.CAP,BLEEDER	1	
6	59145-23H00	.BOLT	4	
7	59345-00B20	.PIN	1	
8	59151-23H00	.SPRING,PAD	1	
9	59146-21E10	.PLUG,PIN	1	
10	59300-23H40-999	CALIPER ASSY,FRONT,L	1	
11	59100-23860	.PISTON SET	1	
12	59100-23810	..SEAL SET,PISTON	1	
13	59121-01A00	.BLEEDER	1	
14	59122-01A00	.CAP,BLEEDER	1	
15	59145-23H00	.BOLT	4	
16	59345-00B20	.PIN	1	
17	59151-23H00	.SPRING,PAD	1	
18	59146-21E10	.PLUG,PIN	1	
19	59100-23852	PAD SET	2	
20	59133-23H00	.SHIM	4	
21	69132-23H00	.INSULATOR	4	
22	09106-10096	BOLT	4	

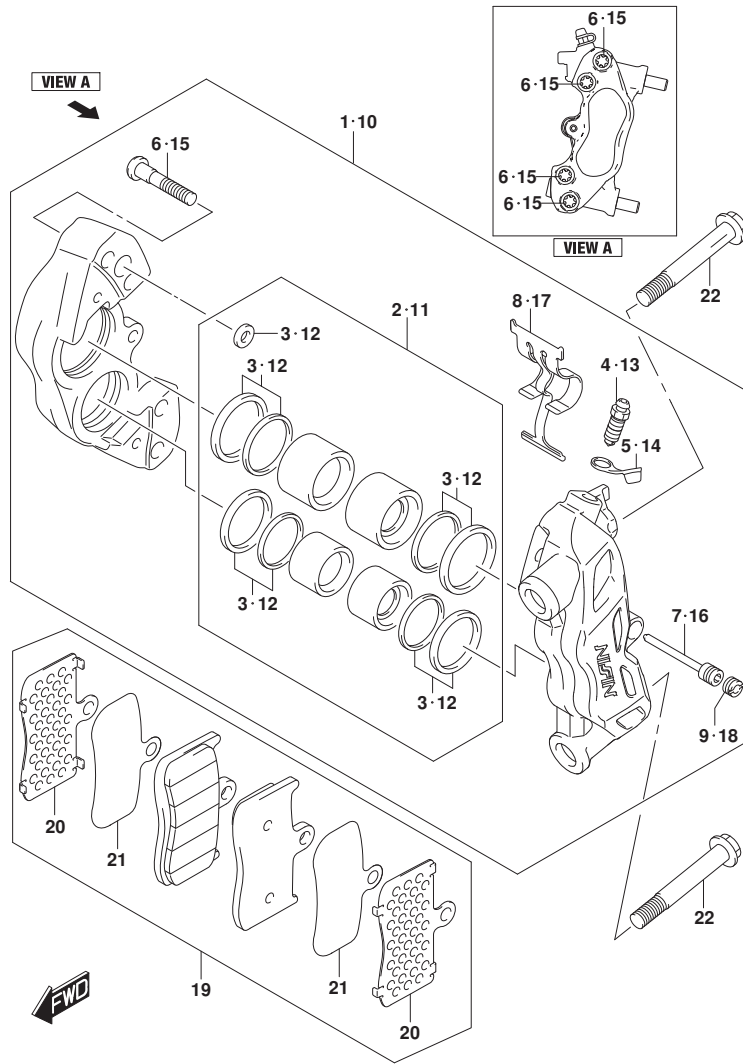




FIG.536A

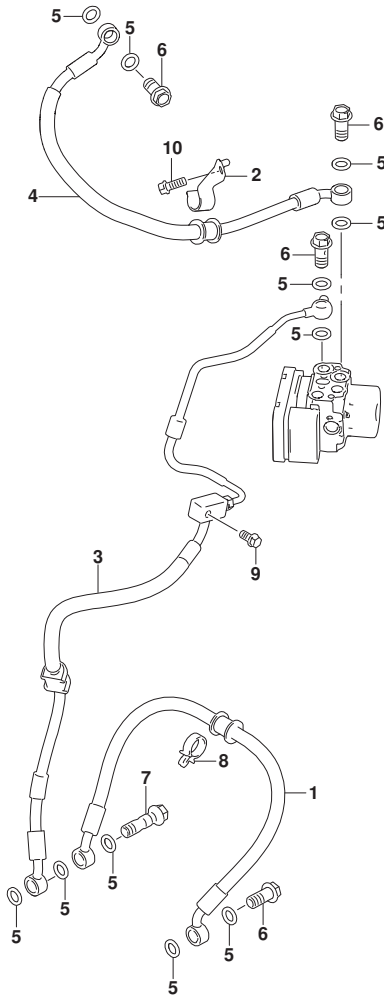


FIG.536A (1-G-2) FRONT BRAKE HOSE

REF NO.	PART NO.	DESCRIPTION	Q'TY	REMARKS
1	59240-25L00	HOSE,BK CLPR R TO CLPR L	1	
2	59261-25L30	CLAMP,BRAKE HOSE UPPER	1	
3	59400-25L00	HOSE ASSY,UNIT TO FR BK CLPR	1	
4	59480-25L10	HOSE,FR BK MASTER TO UNIT	1	
5	09161-10009	WASHER (10X15X1.5)	11	
6	09360-10062	UNION (10X1.25X22)	4	
7	09360-10064	UNION (10X1.25X36)	1	
8	09403-16412	CLAMP	1	
9	01547-0612A	BOLT	1	
10	01547-0616A	BOLT	1	



FIG.537A

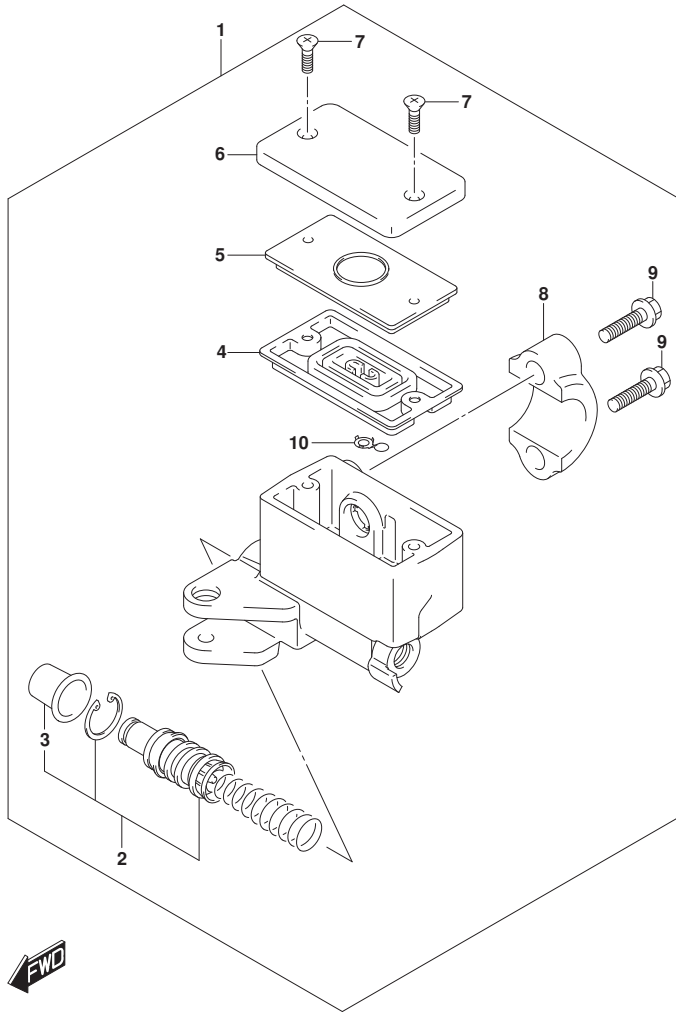


FIG.537A (1-G-3) FRONT MASTER CYLINDER

REF NO.	PART NO.	DESCRIPTION	Q'TY	REMARKS
1	59600-42F50	CYLINDER ASSY,FRONT MASTER	1	
2	59601-45810	.PISTON/CUP SET	1	
3	59666-44300	..BOOT	1	
4	59667-49460	.DIAPHRAGM	1	
5	59668-41C00	.PLATE,DIAPHRAGM	1	
6	59669-10G20	.CAP	1	
7	69689-49300	.SCREW	2	
8	59671-36500	.HOLDER	1	
9	59675-02FA0	.BOLT (6X22)	2	
10	59664-32F00	.PROTECTOR	1	

FIG.541A

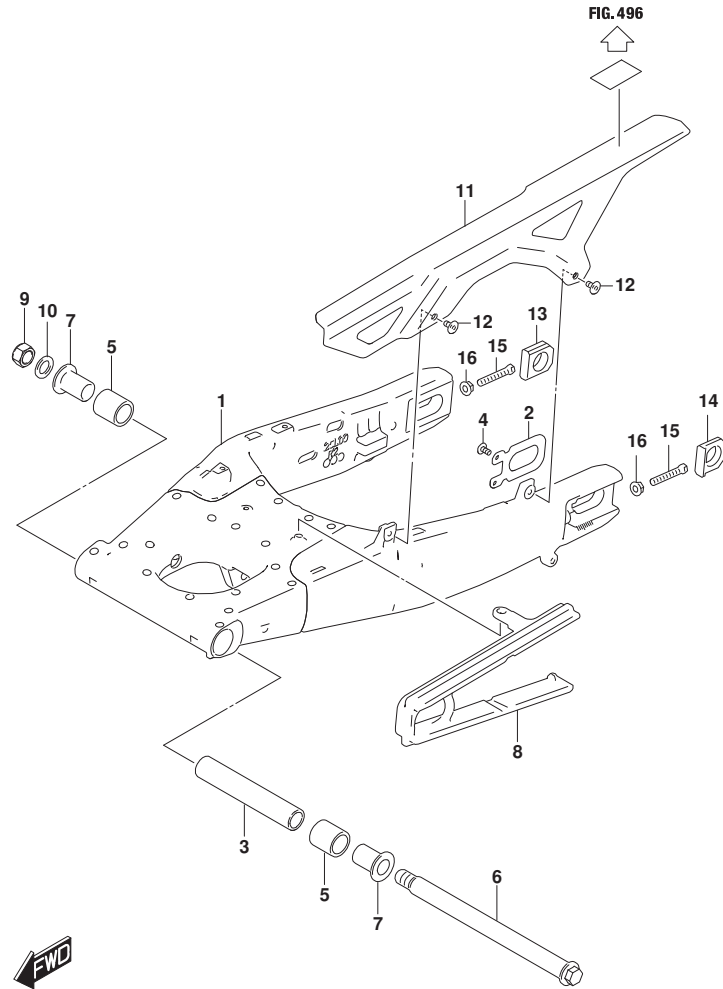


FIG.541A (1-G-4) REAR SWINGARM

REF NO.	PART NO.	DESCRIPTION	Q'TY	REMARKS
1	61100-25L00	SWINGINGARM,REAR	1	
2	61124-44G00	PLATE,RR SWGARM BRKT	1	
3	61282-25L00	SPACER,RR SWGARM PIVOT CTR	1	
4	09122-66010	SCREW	1	
5	09263-25073	BEARING (25X33X35)	2	
6	61211-31E00	SHAFT,RR SWINGINGARM PIVOT	1	
7	61251-31E00	SPACER,PIVOT BEARING	2	
8	61273-25L00	BUFFER,CHAIN TOUCH DEFENSE	1	
9	09159-18007	NUT	1	
10	09160-18030	WASHER (18.5X28X2.6)	1	
11	61310-25L00	CASE,CHAIN	1	
12	09139-06225	BOLT (6X12)	2	
13	61445-28H11	WASHER,CHAIN ADJUSTER RH	1	
14	61446-35G01	WASHER,CHAIN ADJUSTER LH	1	
15	09100-08287	BOLT (8X50)	2	
16	08316-1008A	NUT	2	

FIG.543A

FIG.543A (1-G-5) REAR CUSHION LEVER

REF NO.	PART NO.	DESCRIPTION	Q'TY	REMARKS
1	62317-47H00	SPACER,RR SHOCK ABS LWR	1	
2	62600-25830	LEVER SET,REAR CUSHION	1	
3	09263-17059	.BEARING	3	
4	09263-20053	.BEARING (20X27X25)	1	
5	09285-17007	.SEAL,OIL (17X24X3)	4	
6	09285-20005	.SEAL,OIL (20X27X5)	2	
7	62600-25840	ROD SET,RR CUSHION	1	
8	09263-17059	.BEARING	2	
9	09285-17007	.SEAL,OIL (17X24X3)	2	
10	09180-12163	.SPACER	1	
11	62646-37F10	SPACER,RR CUSHION LEVER LWR	1	
12	62658-37F10	BOLT,RR CUSHION LEVER UP	1	
13	09103-12031	BOLT (L:155)	1	
14	09103-12037	BOLT (12X115)	1	
15	09159-12056	NUT	3	
16	09180-12122	SPACER (12X17X85)	1	

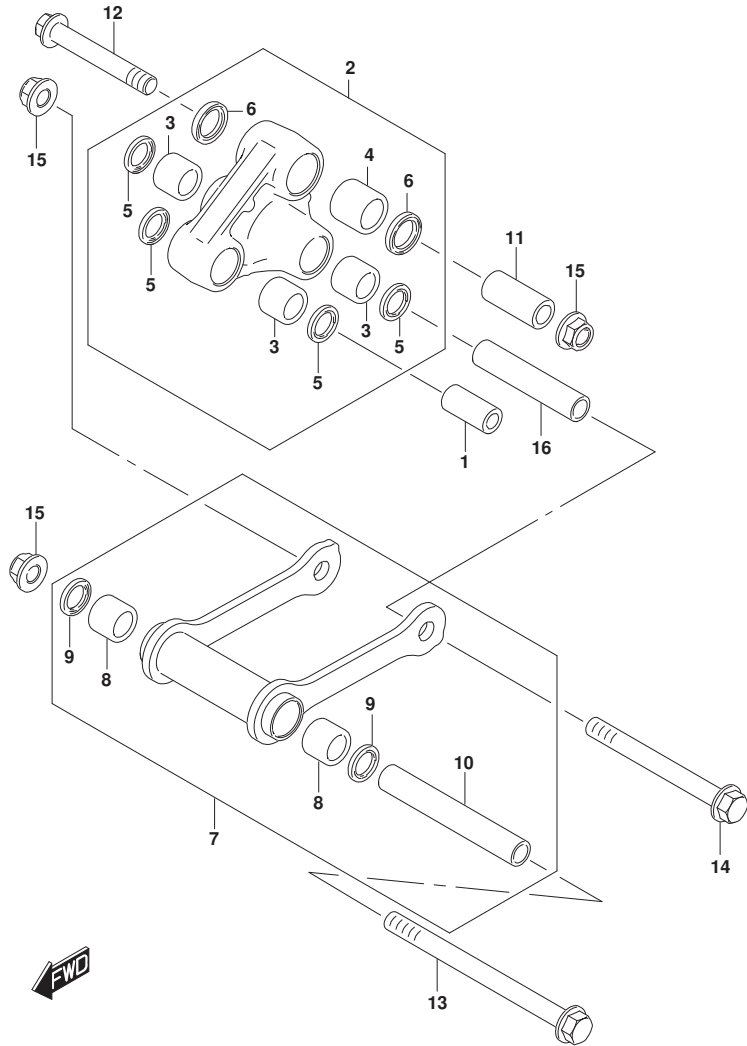


FIG.545A

**FIG.545A (1-G-6) REAR SHOCK ABSORBER**

REF NO.	PART NO.	DESCRIPTION	Q'TY	REMARKS
1	62100-25L20-17U	ABSORBER ASSY,REAR SHOCK (GRAY )	1	
2	09103-10064	BOLT (10X50)	1	
3	09103-10428	BOLT (10X58)	1	
4	09159-10115	NUT (M10)	2	

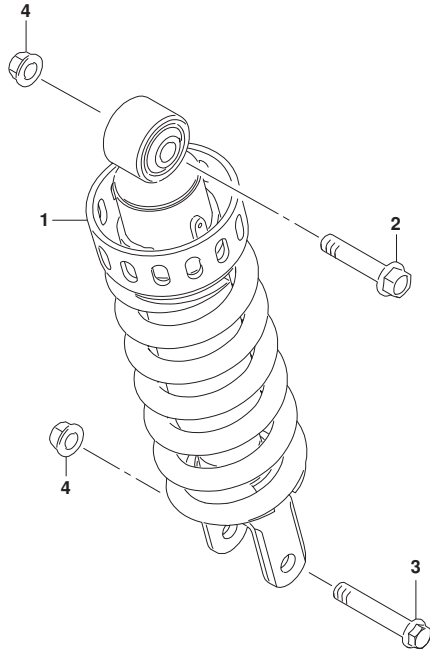


FIG.550A

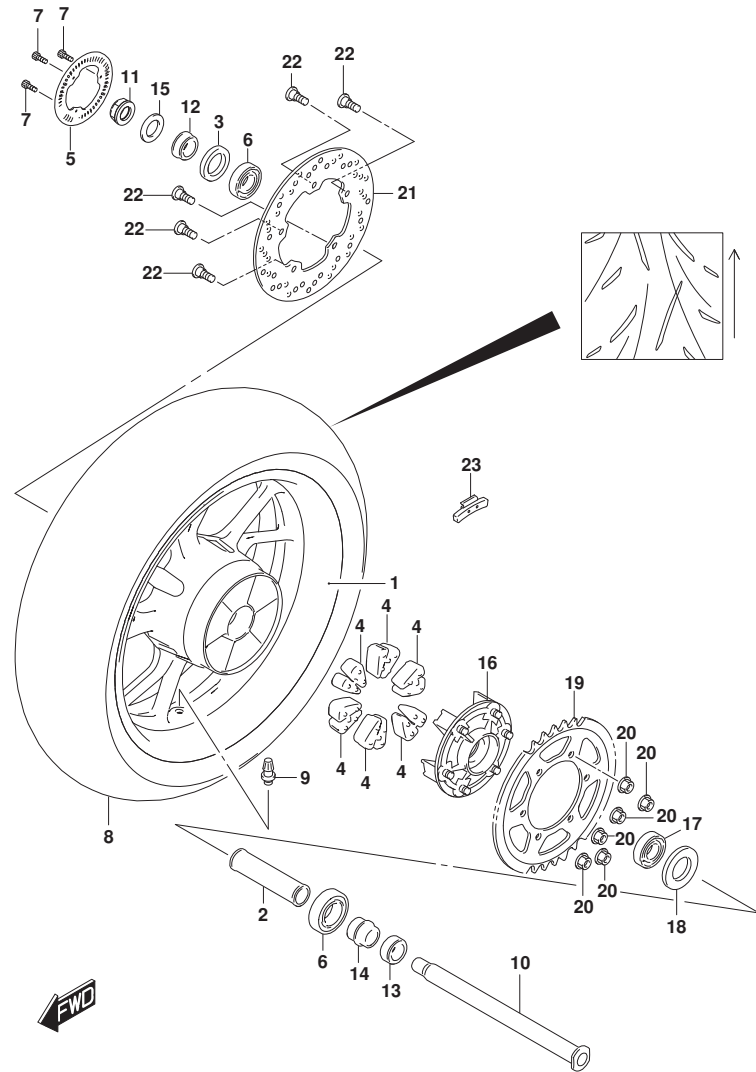


FIG.550A (1-G-7) REAR WHEEL

REF NO.	PART NO.	DESCRIPTION	Q'TY	REMARKS
1-1	64111-25L00-019	WHEEL,REAR (17M/CXMT5.50,BLACK )	1	BODY COLOR:YKV
1-2	64111-25L00-QZP	WHEEL,REAR (17M/CXMT5.50,GRAY)	1	BODY COLOR:YSF,QZY
1-3	64111-25L00-Q1D	WHEEL,REAR (17M/CXMT5.50,RED)	1	BODY COLOR:QKA
2	64731-44G10	SPACER,REAR WHEEL BEARING	1	
3	09284-37002	SEAL,OIL (37X52X8)	1	
4	64651-47H10	ABSORBER,RR HUB SHOCK	6	
5	54162-27G00	RING,SPEED SENSOR FR (50T)	1	
6	08123-6205B	BEARING	2	
7	07130-0512A	BOLT	3	
8	65110-25L00	TIRE,REAR (180/55ZR17M/C(73W))	1	
9	#43130-24A00	VALVE ASSY,WHEEL RIM (TR412)	1	
10	64711-25L10	AXLE,REAR	1	
11	64721-13K00	NUT	1	
12	64741-44G00	SPACER,RR AXLE,R	1	
13	64751-44G00	SPACER,RR AXLE,L	1	
14	64733-44G00	RETAINER,RR SPROCKET DRUM	1	
15	64723-25L00	WASHER,REAR AXLE	1	
16	64610-47H00	DRUM,RR SPROCKET	1	
17	09262-32024	BEARING (32X65X17)	1	
18	09285-39001	SEAL,OIL (39X65X7)	1	
19	64511-25L00	SPROCKET,REAR	1	
20	08319-3110A	NUT	6	
21	69211-38G00	DISC,RR BRAKE	1	
22	09106-08160	BOLT (8X21)	5	
23-1	55411-22H00	BALANCER,WHEEL (10G)	AR	
23-2	55412-22H00	BALANCER,WHEEL (20G)	AR	
23-3	55413-22H00	BALANCER,WHEEL (30G)	AR	

FIG.555A

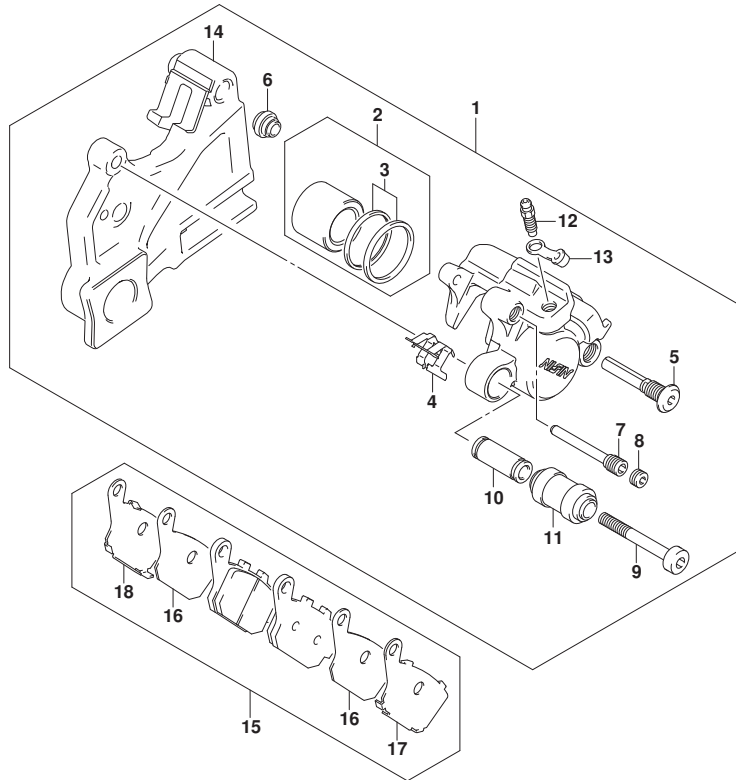


FIG.555A (1-G-8) REAR CALIPER

REF NO.	PART NO.	DESCRIPTION	Q'TY	REMARKS
1	69100-13K20-999	CALIPER ASSY,REAR	1	
2	69100-04810	.PISTON SET	1	
3	69100-04820	..SEAL SET,PISTON	1	
4	69115-04F00	.SPRING,PAD	1	
5	59305-36E00	.PIN,BOLT	1	
6	59303-14500	.BOOT	1	
7	69141-40F00	.PIN,PAD	1	
8	59146-08J00	.PIN PLUG	1	
9	69182-13K20	.BOLT	1	
10	69185-04F00	.SLEEVE	1	
11	69186-04F00	.BOOT,SLEEVE	1	
12	59121-01A00	.BLEEDER	1	
13	59122-46H00	.CAP,BLEEDER	1	
14	69150-13K20	.BRACKET	1	
15	69100-08850	PAD & RETAINER SET	1	
16	69132-08J00	.INSULATOR	2	
17	69133-06G00	.RETAINER	1	
18	69134-06G00	.RETAINER	1	

FIG.557A

FIG.557A (1-G-9) REAR BRAKE HOSE

REF NO.	PART NO.	DESCRIPTION	Q'TY	REMARKS
1	69200-25L10	HOSE ASSY,RR BK MASTER TO UNIT	1	
2	69261-25L00	CLAMP,RR BRAKE HOSE	1	
3	69271-25L00	CLAMP,RR BRAKE HOSE NO.1	1	
4	69275-25L00	CLAMP,RR BRAKE HOSE NO.2	1	
5	69400-25L00	HOSE ASSY,UNIT TO RR BK CLPR	1	
6	09161-10009	WASHER (10X15X1.5)	4	
7	09360-10062	UNION (10X1.25X22)	2	
8	09403-07344	CLAMP	2	
9	01547-0612A	BOLT	3	
10	01547-0630A	BOLT	1	

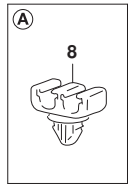
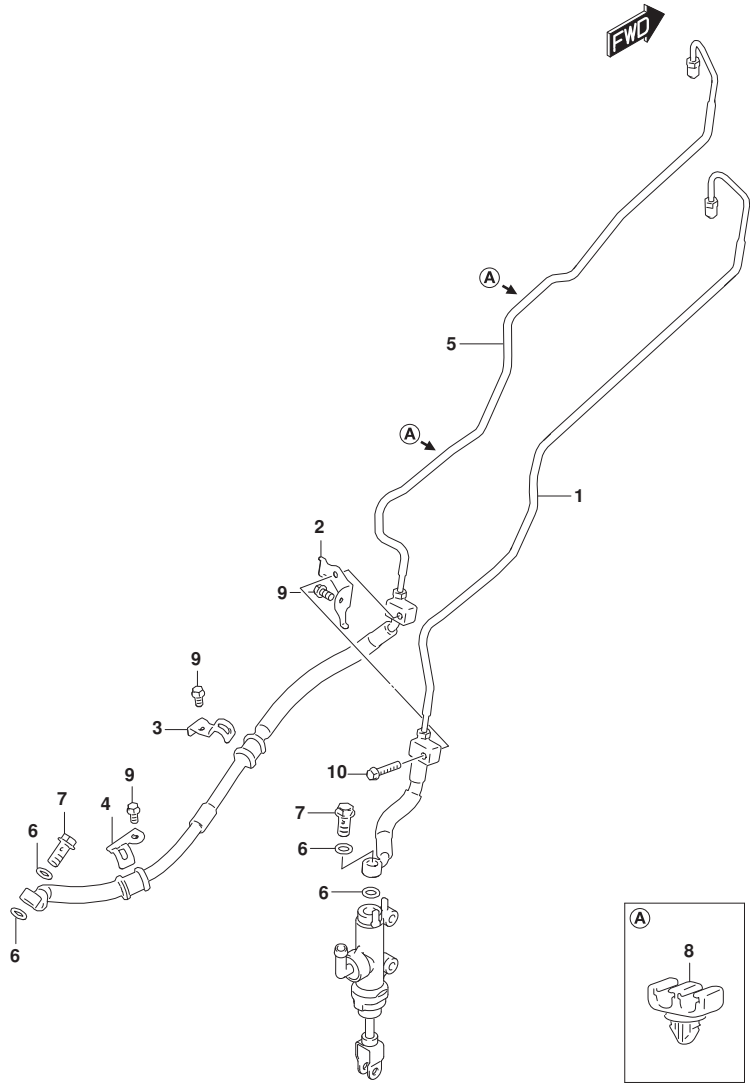




FIG.558A

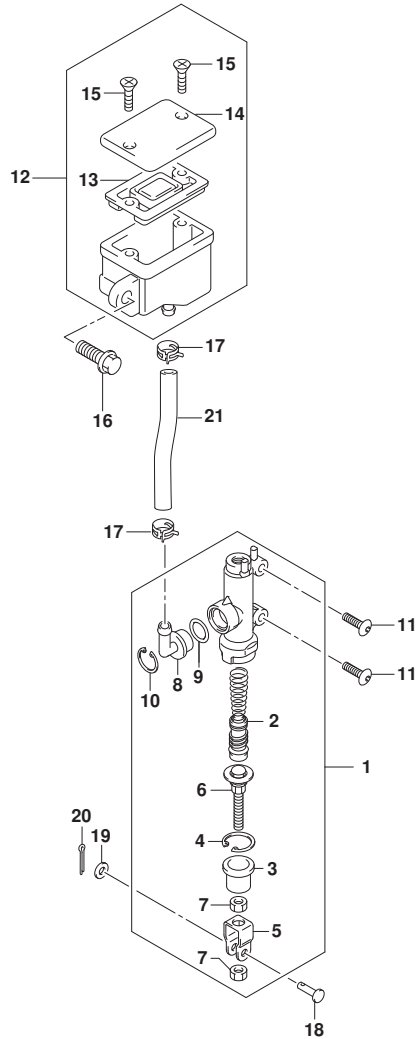


FIG.558A (1-G-10) REAR MASTER CYLINDER

REF NO.	PART NO.	DESCRIPTION	Q'TY	REMARKS
1	69600-47H10	CYLINDER ASSY,RR MASTER	1	
2	69600-34810	.PISTON/CUP SET	1	
3	69691-00A00	.BOOT	1	
4	69665-47H00	.CIRCLIP	1	
5	69692-44H00	.YOKE	1	
6	69670-40A00	.ROD,PUSH	1	
7	69693-05A00	.NUT	2	
8	69672-00B20	.CONNECTOR	1	
9	69686-34200	.O-RING	1	
10	69674-00B20	.CIRCLIP	1	
11	09139-06028	SCREW (6X20)	2	
12	69740-44G00	TANK ASSY,RR RESERVOIR	1	
13	59667-04700	.DIAPHRAGM	1	
14	59669-05D00	.CAP	1	
15	69689-04A00	.SCREW	2	
16	01547-0616A	BOLT	1	
17	09401-12404	CLIP (ID:12)	2	
18	09200-06037	PIN (6X17.7)	1	
19	08322-0106A	WASHER	1	
20	04111-2015A	PIN	1	
21	69731-25L00	HOSE,RR RESERVOIR TANK	1	

PART NO.	FIG.NO.-REF.NO.	PART NO.	FIG.NO.-REF.NO.	PART NO.	FIG.NO.-REF.NO.	
10000		12164-46E10-0A0	120A-8-1	12837-25L00	101A-10	
		12164-46E10-0B0	120A-8-2		127A-10	
		12164-46E10-0C0	120A-8-3	12837-49H00	127A-9	
		12164-46E10-0D0	120A-8-4	12891-02F10	126A-3	
		12228-24F00-0A0	108A-11-1	12892-41C00-230	126A-4-1	
	11100-25L00	103A-1	120A-11-1	12892-41C00-232	126A-4-2	
	11115-25L70	103A-16	12228-24F00-0B0	108A-11-2	12892-41C00-235	126A-4-3
	11117-44H00	103A-5	120A-11-2	12892-41C00-238	126A-4-4	
	11141-25L10	101A-2	12228-24F00-0C0	108A-11-3	12892-41C00-240	126A-4-5
		103A-6	120A-11-3	12892-41C00-242	126A-4-6	
11170-25L00	102A-1	12228-24F00-0D0	108A-10	12892-41C00-245	126A-4-7	
11173-25L00	101A-3	108A-11-4	12892-41C00-248	126A-4-8		
	102A-2	120A-10	12892-41C00-250	126A-4-9		
11176-25L00	102A-3	120A-11-4	12892-41C00-252	126A-4-10		
11177-25L00	101A-4	12228-24F00-0E0	108A-11-5	12892-41C00-255	126A-4-11	
	102A-4	120A-11-5	12892-41C00-258	126A-4-12		
11178-33E00	101A-5	12228-24F00-0F0	108A-11-6	12892-41C00-260	126A-4-13	
	102A-5	120A-11-6	12892-41C00-262	126A-4-14		
11178-69L00	102A-6	12229-25L00-0A0	120A-12-1	12892-41C00-265	126A-4-15	
11210-25L00-0F0	107A-1	12229-25L00-0B0	120A-12-2	12892-41C00-268	126A-4-16	
11217-85FA0	180A-2	12229-25L00-0C0	120A-12-3	12892-41C00-270	126A-4-17	
11241-25L10	101A-6	12229-25L00-0D0	120A-12-4	12892-41C00-272	126A-4-18	
	107A-2	12229-25L00-0E0	120A-12-5	12892-41C00-275	126A-4-19	
11300-25820	108A-1	12229-25L10-0A0	124A-13-1	12892-41C00-278	126A-4-20	
11319-33E50	108A-2	12229-25L10-0B0	124A-13-2	12892-41C00-280	126A-4-21	
11322-25L00	108A-3	12229-25L10-0C0	124A-13-3	12892-41C00-282	126A-4-22	
11323-25L00	108A-4	12229-25L10-0D0	124A-13-4	12892-41C00-285	126A-4-23	
11340-25L10	114A-1	12600-25840	122A-3	12892-41C00-288	126A-4-24	
11351-25L10	113A-1	12600-25L00	122A-1	12892-41C00-290	126A-4-25	
11360-25L10	113A-2	12601-25L10	124A-1	12892-41C00-292	126A-4-26	
11370-25L00	114A-3	12602-25L10	124A-7	12892-41C00-295	126A-4-27	
11390-25L00	109A-1	12610-25L00	122A-2	12892-41C00-298	126A-4-28	
11400-25821	101A-1	12615-24F00	122A-4	12892-41C00-300	126A-4-29	
11482-25L00	101A-7	12615-25L00	122A-5	12892-41C00-302	126A-4-30	
	114A-5	12662-25L10	124A-2	12892-41C00-305	126A-4-31	
11483-25L00	101A-8		124A-8	12892-41C00-308	126A-4-32	
	113A-3	12663-25L00	124A-3	12892-41C00-310	126A-4-33	
11489-25L00	101A-9		124A-9	12892-41C00-312	126A-4-34	
	116A-1	12666-25L00	124A-4	12892-41C00-315	126A-4-35	
11511-25L00	116A-2		124A-10	12892-41C00-318	126A-4-36	
11611-25L00	103A-13	12701-25L00	126A-1	12892-41C00-320	126A-4-37	
11959-10LB0	496A-3	12702-25L01	126A-2	12892-41C00-322	126A-4-38	
11971-25D00	114A-8	12760-25L00	127A-1	12892-41C00-325	126A-4-39	
11971-48H00	114A-2	12771-25L00	127A-2	12892-41C00-328	126A-4-40	
12000-25810	120A-9	12782-25L00	127A-3	12892-41C00-330	126A-4-41	
12111-25L00-0F0	120A-1	12800-41810	126A-12	12892-41C00-332	126A-4-42	
12140-25L00	120A-2	12811-25L00	127A-4	12892-41C00-335	126A-4-43	
12151-07D10	120A-3	12812-31G00	127A-5	12892-41C00-338	126A-4-44	
12160-25L00	120A-5	12830-25L00	127A-7	12892-41C00-340	126A-4-45	
12163-24F10	120A-6	12833-25L00	127A-8	12892-41C00-342	126A-4-46	

PART NO.	FIG.NO.-REF.NO.	PART NO.	FIG.NO.-REF.NO.	PART NO.	FIG.NO.-REF.NO.
12892-41C00-345	126A-4-47	14785-25L00	163A-12	17861-25L00	101A-15
12892-41C00-348	126A-4-48	14786-25L01	163A-13		187A-8
12892-41C00-350	126A-4-49	14790-25L00	163A-14	17910-25L00	187A-17
12911-25L00	126A-5	14795-10FA0	163A-15	17931-25L00	187A-18
12912-25L00	126A-6	15100-25L00	172A-1	17934-25L00	187A-19
12921-25L00	126A-7	15121-25L00	172A-2	17935-25L00	187A-20
12931-41K00	126A-8	15122-17K00	172A-3	17981-25L00	187A-21
12932-27A00	126A-9	15201-07L00	172A-4	18114-74P00	427A-1
12933-25L00	126A-10	15710-17K00	140A-15	18213-25L40	163A-20
12934-69L00	126A-11	15717-58B00	140A-16	18450-28K00	189A-1
13101-25L00	140A-22	15722-14J00	140A-17	18461-25L00	189A-2
13127-25L00	140A-23	15810-25L00	172A-5	18510-29G31	189A-3
13170-25L00	140A-24	15821-25L00	172A-6	18531-25L00	189A-4
13268-48700	140A-2	16310-25L00	116A-6	18560-25L00	427A-2
13269-33E00	140A-3	16321-01H00	116A-7	18561-25L00	427A-11
13295-29901	140A-4	16331-25L00	116A-8	18562-25L00	427A-12
13374-32G00	140A-5	16400-25L00	116A-9	18563-25L00	427A-13
13405-25L00	140A-1	16440-24F00	116A-10	18565-25L00	427A-3
13471-25L00	140A-6	16461-25L00	178A-4	18568-25L00	427A-4
13472-25L00	140A-7	16471-25L00	178A-5	18570-25L00	427A-9
13473-25L00	140A-8	16491-33E00	116A-12	18572-25L00	427A-5
13601-11J00	140A-9	16510-07J00	109A-15	18590-18K10	140A-19
13602-29G01	140A-10	16520-25L00	116A-17	18596-25L00	140A-20
13606-47A00	140A-11	16591-06B01	109A-16	18610-25L00	189A-5
13650-41F10	155A-19	16600-25L00	178A-1	18710-25L00	189A-6
13650-49X00	187A-28	16611-48K00	101A-12		
13655-41F10	155A-20		178A-2		
13671-12C00	140A-12	17400-25L00	180A-1		
13682-25L00	140A-13	17421-25L00	101A-13		
13685-04F10	140A-14		180A-5		
13700-25L00	155A-1	17431-25L00	101A-14	21111-25L00	120A-13
13741-25L00	155A-2		180A-6	21112-25L00	120A-14
13746-25L00	155A-3	17568-50F00	187A-1	21114-25L00	120A-15
	155A-4	17661-25L00	180A-8	21121-25L00	120A-19
13780-25L00	155A-5	17670-81AB1	180A-9	21200-25810	201A-1
13786-25L00	155A-6	17700-25L10	185A-1	21253-01H10	201A-2
13826-25L00	155A-7	17711-14G00	185A-2	21411-25L00	201A-6
13827-25L00	155A-8	17730-14G00	185A-7	21412-31J00	201A-7
13850-25L00	155A-9	17740-25L00	185A-8	21413-25L00	201A-8
13878-10G01	155A-10	17750-25L00	185A-9	21414-25L00	201A-9
13881-25L00	155A-11	17802-14F00	185A-3	21415-31J00	201A-10
13882-25L00	155A-12	17810-25L00	185A-4	21441-36F50	201A-11
13891-25L00	155A-13	17812-25L00	185A-5	21442-41G20	201A-12
13892-25L00	155A-14	17851-25L00	187A-2	21451-25L10	201A-13
14100-25L00	163A-1	17852-25L00	187A-3	21451-41G30	201A-14
14181-04K00	101A-11	17853-25L00	187A-4	21452-25L00	201A-15
	163A-2	17855-25L00	187A-5	21462-25L00	201A-16
14760-25L00	163A-3		187A-16	21471-41G00	201A-17
14770-25L00	163A-4	17856-25L00	187A-6	21472-41G20	201A-18
14781-25L00	163A-11	17860-25L00	187A-7	23110-38B00	201A-23

20000

PART NO.	FIG.NO.-REF.NO.	PART NO.	FIG.NO.-REF.NO.	PART NO.	FIG.NO.-REF.NO.
23111-25L00	201A-24	25617-18H00	212A-33	35710-25L00	339A-2
23121-25L00	201A-25	25652-20C00	212A-32	35781-17K00	333A-2
23122-25L00	201A-26	25671-01011	212A-21	35950-25L00	333A-7
23123-41G00	201A-27	25680-25L00	212A-47	35970-07F01	339A-7
23124-25L00	201A-28	27511-20A21	206A-46	36110-48K00	333A-5
23125-44G00	201A-29	27531-25L00	206A-28	36125-81P00	474A-1
23271-41G00	201A-30	27600-06G40-120	206A-47	36610-25L20	350A-1
24120-25L00	206A-1	27620-06G40	206A-48	36620-25L20	350A-5
24131-25L00	206A-17			36654-28K00	350A-6
24221-25L00	206A-2			36744-06L00	350A-16
24231-25L00	206A-3			36851-25L00	350A-7
24251-25L00	206A-4			36990-06L00	355A-3
24252-35F00	206A-5			37100-25L40	352A-2
24261-25L00	206A-6			37101-25880	352A-1
24262-35F10	206A-7			37146-13K00	352A-5
24311-25L00	206A-18	31100-25L00	301A-1	37152-17K00	352A-3
24315-25L00	206A-19	31132-18H00	301A-2	37400-25L00	355A-2
24321-25L00	206A-20	31143-49040	301A-3	37730-48K10	212A-40
24331-25L00	206A-21	31156-98E00	301A-4	37740-25L10	350A-8
24332-24F20	206A-22	31264-38F10	301A-5	37820-33D11	109A-17
	206A-23	31280-19F10	301A-6	37822-33D00	109A-18
24333-47H00	206A-24	31800-06G02	311A-1	37840-25L00	350A-11
24341-25L00	206A-25	31861-47E00	311A-3	38500-48H31	350A-13
24351-25L00	206A-26	32101-25L00	303A-2	38610-06L01	334A-9
24361-25L00	206A-27	32102-25L00	303A-1	38860-06L00	350A-17
24741-25L00	206A-40	32155-25L00	303A-3		
24751-18H00	206A-41	32371-25L00	303A-4		
24751-25L00	206A-42	32800-26J10	313A-1		
24770-18H10	206A-8	32910-06L00	322A-1		
25211-01H11	212A-1	33410-38H10	316A-1		
25231-25L00	212A-2	33630-33E01	310A-1	41100-25L00	401A-1
25310-25L00	212A-4	33651-37000	322A-2	41200-25L00-QEB	401A-2
25312-17K00	212A-6	33652-20C10	310A-2	41920-25L00	401A-7
25350-06G00	212A-11	33652-20C20	310A-7	41922-25L00	401A-8
25355-18H00	212A-12	33652-25L00	310A-3	42310-25L00	407A-1
25381-17K00	212A-7	33652-39000	322A-3	42330-25L00	407A-2
25411-24F00	212A-3	33810-25L00	310A-5	42710-25L00	401A-3
25500-25L00	212A-27	33820-25L00	310A-6	42720-25L00	401A-4
25510-25L10	212A-15	33960-25H01	322A-4	43110-25L00	407A-8
25512-06G20	212A-16	33972-31D00	339A-1	43130-24A00	530A-12
25518-01H00	212A-17	34100-25L01	330A-1		
25518-06L00	212A-18	34187-48K01	330A-2	43142-25L00	407A-9
25519-01H00	212A-19	34810-25L00	172A-9	43511-25L00	415A-1
25519-25L00	212A-20	34815-25L00	172A-10	43516-18K00	415A-2
25520-01H11	212A-28	34955-10L00	330A-3	43521-25L00	415A-3
25525-25L00	212A-45	35100-48K02	333A-1	43526-18K00	415A-4
25526-01H00	212A-29	35601-48KB1	334A-1	43571-25L00	415A-5
	212A-31	35602-48KB1	334A-2	43572-25L00	415A-6
25526-25L00	212A-46	35603-48KG0	334A-5	43576-07D01	415A-7
25600-25L00	212A-30	35604-48KG0	334A-6	43611-20K20	417A-1

30000

40000

PART NO.	FIG.NO.-REF.NO.	PART NO.	FIG.NO.-REF.NO.	PART NO.	FIG.NO.-REF.NO.
43621-20K20	417A-2	47430-25L00	406A-7		
43811-25L00	417A-3	47431-25L00	406A-1	51189-25L10	521A-10
43816-01H20	417A-5	47433-25L01	406A-3		521A-32
43821-25L00	417A-4	47436-25L00	406A-11	51196-25L10	521A-20
43910-37F00	401A-10	47437-25L00	406A-12	51210-25L10	521A-22
44100-25L10-YKV	420A-1-2	47451-25L00	460A-7	51311-25L10-291	524A-1
44100-25L10-YVB	420A-1-1	47455-25L00	460A-8	51321-27C40	524A-3
44121-07L00	420A-4	47512-10D00	447A-14	51328-25L30	524A-2
44173-14J00	433A-3	47545-25L00	447A-15	51328-44HB0	521A-40
44200-17840	420A-2	47561-25L00	422A-1	51344-13K00	524A-8
44244-11J00	420A-3	47912-37H00	420A-12	51353-13K00	524A-9
44278-14J00	447A-13			51356-13K00	524A-10
44292-10L00	339A-3			51410-25L10	524A-4
44423-25L00	420A-21			51482-44H00	524A-7
44512-04K00	420A-5			51556-38B00	521A-34
44530-25L00	420A-6			51631-08D30	524A-11
44541-02F01	420A-7			51643-01B10	524A-12
44541-25L00	420A-8			51644-12C00	524A-5
44542-25L00	420A-9			51827-13G00	474A-4
44550-25L00	420A-10			51827-25L20	521A-14
44561-25L10	420A-11	51103-25L10	521A-1		521A-33
44894-24A00	474A-2	51104-25L10	521A-21	52110-25L10	521A-15
45100-25L20-QZF	505A-1	51110-25L10	521A-2	53111-25L00-QKA	460A-1-3
45148-27J00	433A-4	51118-25L10	521A-16	53111-25L00-QZY	460A-1-4
	505A-2		521A-36	53111-25L00-YKV	460A-1-1
45149-20K00	505A-3	51126-25L10	521A-37	53111-25L00-YSF	460A-1-2
45210-21K00	505A-13	51128-25L10	521A-31	53120-25L00	460A-2
45220-47H00	505A-24	51131-25L10	521A-3	54111-25L00-019	530A-1-1
45280-20K00	505A-9		521A-23	54111-25L00-Q1D	530A-1-3
45288-14F00	505A-10	51136-25L10	521A-17	54111-25L00-QZP	530A-1-2
45289-11F00	505A-11	51152-01H10	521A-4	54162-27G00	550A-5
45290-20K00	505A-14		521A-24	54162-44H00	530A-9
45300-25L20-QZF	505A-12	51152-14J00	521A-5	54711-25L10	530A-5
45380-25L00	505A-15		521A-25	54731-14J00	530A-2
46420-25L00	406A-9	51153-01H10	521A-6	54751-14J00	530A-6
47110-25L10-QKA	434A-1-3		521A-26	55110-25L00	530A-11
47110-25L10-QZY	434A-1-4	51156-25L20	521A-11	55411-22H00	530A-13-1
47110-25L10-YKV	434A-1-1	51168-38B00	521A-7		550A-23-1
47110-25L10-YSF	434A-1-2		521A-27	55412-22H00	530A-13-2
47210-25L10-QKA	434A-3-3		521A-8		550A-23-2
47210-25L10-QZY	434A-3-4	51171-25L10	521A-28	55413-22H00	530A-13-3
47210-25L10-YKV	434A-3-1		521A-9		550A-23-3
47210-25L10-YSF	434A-3-2		521A-29	55610-25L00	533A-1
47311-25L00	433A-1	51174-25L10	521A-12	55650-25L00	533A-2
47312-37H20	434A-5	51175-25L10	521A-18	55662-10G00	533A-3
47315-25L00	433A-5	51176-25L10	521A-38	55663-10G00	533A-4
47321-20K01	505A-4	51177-25L10	521A-35	55710-25L00	526A-1
47321-25L00	433A-2	51178-25L10	521A-19	55731-06L00	526A-2
47376-20E00	474A-3		521A-39	56111-25L20	462A-1
47411-25L00	443A-1	51187-15D50	521A-10	56151-25L20	462A-2

50000

PART NO.	FIG.NO.-REF.NO.	PART NO.	FIG.NO.-REF.NO.	PART NO.	FIG.NO.-REF.NO.
56277-17K00	462A-3		535A-16	64610-47H00	550A-16
56278-25L10	462A-4	59400-25L00	536A-3	64651-47H10	550A-4
56500-25L00	464A-1	59480-25L10	536A-4	64711-25L10	550A-10
56600-25L00	464A-2	59600-42F50	537A-1	64721-13K00	550A-11
57059-25D70	467A-11	59601-45810	537A-2	64723-25L00	550A-15
57100-06L61	467A-1	59664-32F00	537A-10	64731-44G10	550A-2
57110-06L10	467A-2	59666-44300	537A-3	64733-44G00	550A-14
57211-21H01	467A-10	59667-04700	558A-13	64741-44G00	550A-12
57300-44G20	467A-5	59667-49460	537A-4	64751-44G00	550A-13
57431-17H02	467A-6	59668-41C00	537A-5	65110-25L00	550A-8
57431-21D11	467A-13	59669-05D00	558A-14	65710-25L00	526A-3
57441-25L00	467A-14	59669-10G20	537A-6	68111-25L00-019	447A-2-1
57442-45C01	467A-15	59671-36500	537A-8		447A-4-1
57460-14J02	467A-8	59675-02FA0	537A-9	68111-25L00-QKA	447A-2-2
57465-17C00	467A-9				447A-4-2
57500-25D70	467A-12			68131-25L10-CK8	434A-2-1
57560-05A10	467A-19				434A-4-1
57562-41G01	467A-20	60000		68131-25L10-CP9	434A-2-2
57621-25D10	467A-16				434A-4-2
57661-33E01	467A-21			68131-25L10-CQA	434A-2-3
58200-25L10	466A-1	61100-25L00	541A-1		434A-4-3
58620-25L10	466A-2	61124-44G00	541A-2	68131-25L10-CQB	434A-2-4
58634-25L00	466A-3	61211-31E00	541A-6		434A-4-4
59100-23810	535A-3	61251-31E00	541A-7	68181-04KA0-019	483A-2-1
	535A-12	61273-25L00	541A-8		483A-4-1
59100-23852	535A-19	61282-25L00	541A-3	68181-04KA0-QKA	483A-2-2
59100-23860	535A-2	61310-25L00	541A-11		483A-4-2
	535A-11	61445-28H11	541A-13	68181-45H10-YD8	481A-4
59100-23H40-999	535A-1	61446-35G01	541A-14	68271-25L20-CK8	481A-2-1
59121-01A00	535A-4	62100-25L20-17U	545A-1	68271-25L20-CP9	481A-2-2
	535A-13	62317-47H00	543A-1	68271-25L20-CQA	481A-2-3
	555A-12	62600-25830	543A-2	68271-25L20-CQB	481A-2-4
59122-01A00	535A-5	62600-25840	543A-7	68275-25L20-CBT	485A-2-2
	535A-14	62646-37F10	543A-11	68275-25L20-CQC	485A-2-3
59122-46H00	555A-13	62658-37F10	543A-12	68275-25L20-CQD	485A-2-4
59133-23H00	535A-20	63111-25L00	474A-5	68275-25L20-KGL	485A-2-1
59145-23H00	535A-6	63112-25L00	474A-6	68281-47HA0	422A-2
	535A-15	63113-15H10	310A-4	68285-25L20-CBT	485A-4-2
59146-08J00	555A-8	63113-25L00	474A-7	68285-25L20-CQC	485A-4-3
59146-21E10	535A-9	63114-25L00	474A-8	68285-25L20-CQD	485A-4-4
	535A-18	63115-25L00	474A-9	68285-25L20-KGL	485A-4-1
59151-23H00	535A-8	63115-37H00	481A-24	68319-25L00	496A-1
	535A-17	63116-25L00	474A-10	68332-25L00	496A-2
59210-44G11	530A-7	63117-25L00	474A-11	69100-04810	555A-2
59240-25L00	536A-1	63121-25L00	474A-12	69100-04820	555A-3
59261-25L30	536A-2	63122-25L00	474A-13	69100-08850	555A-15
59300-23H40-999	535A-10	64111-25L00-019	550A-1-1	69100-13K20-999	555A-1
59303-14500	555A-6	64111-25L00-Q1D	550A-1-3	69115-04F00	555A-4
59305-36E00	555A-5	64111-25L00-QZP	550A-1-2	69132-08J00	555A-16
59345-00B20	535A-7	64511-25L00	550A-19	69132-23H00	535A-21

PART NO.	FIG.NO.-REF.NO.	PART NO.	FIG.NO.-REF.NO.	PART NO.	FIG.NO.-REF.NO.
69133-06G00	555A-17	94419-25L00	481A-8	96515-48H00	505A-7
69134-06G00	555A-18	94461-25L00	485A-7	96515-48H10	505A-8
69141-40F00	555A-7	94462-25L00	485A-8	99000-69471	126A-13
69150-13K20	555A-14	94463-25L00	447A-5	99011-25LA1-01A	497A-1-1
69182-13K20	555A-9	94464-25L00	447A-6	99011-25LA1-01E	497A-1-2
69185-04F00	555A-10	94470-25L00-QKA	447A-1-3	99011-25LA1-01F	497A-1-3
69186-04F00	555A-11	94470-25L00-QZY	447A-1-4	99011-25LA1-01H	497A-1-4
69200-25L10	557A-1	94470-25L00-YKV	447A-1-1	99011-25LA1-01K	497A-1-5
69211-38G00	550A-21	94470-25L00-YSF	447A-1-2	99011-25LA1-01T	497A-1-7
69261-25L00	557A-2	94470-25L10-QKA	485A-1-3	99011-25LA1-029	497A-1-6
69271-25L00	557A-3	94470-25L10-QZY	485A-1-4		
69275-25L00	557A-4	94470-25L10-YKV	485A-1-1		
69400-25L00	557A-5	94470-25L10-YSF	485A-1-2	00000	
69600-34810	558A-2	94470-25L20-QKA	483A-1-3		
69600-47H10	558A-1	94470-25L20-QZY	483A-1-4		
69665-47H00	558A-4	94470-25L20-YKV	483A-1-1	01547-0610A	189A-11
69670-40A00	558A-6	94470-25L20-YSF	483A-1-2	01547-0612A	427A-8
69672-00B20	558A-8	94472-25L00	485A-5		466A-6
69674-00B20	558A-10	94475-25L00	483A-6		536A-9
69686-34200	558A-9	94477-25L00	483A-7		557A-9
69689-04A00	558A-15	94479-15H00	483A-8	01547-0616A	526A-8
69689-49300	537A-7	94479-35F00	406A-8		536A-10
69691-00A00	558A-3		474A-14		558A-16
69692-44H00	558A-5		483A-12	01547-0616B	406A-10
69693-05A00	558A-7	94480-25L00-QKA	447A-3-3		474A-21
69731-25L00	558A-21	94480-25L00-QZY	447A-3-4	01547-0620A	116A-15
69740-44G00	558A-12	94480-25L00-YKV	447A-3-1		180A-10
		94480-25L00-YSF	447A-3-2		189A-12
		94480-25L10-QKA	485A-3-3	01547-0620B	467A-17
		94480-25L10-QZY	485A-3-4	01547-0625A	301A-7
		94480-25L10-YKV	485A-3-1	01547-0630A	116A-5
		94480-25L10-YSF	485A-3-2		140A-21
		94480-25L20-QKA	483A-3-3		557A-10
		94480-25L20-QZY	483A-3-4	01547-0645A	108A-5
		94480-25L20-YKV	483A-3-1	01547-0655A	108A-6
		94480-25L20-YSF	483A-3-2	01550-0610A	420A-18
73415-70A00	481A-25	94482-25L00	485A-6	01550-0610B	401A-6
		94491-25L00	483A-9	01550-0612A	103A-9
		94510-25L00	481A-7		155A-18
		94520-25L00	483A-10		474A-23
		94530-25L00	483A-14		533A-6
		94531-20K00	114A-4	01550-0616A	185A-13
		94576-48K00	481A-10		466A-7
		94610-25L00-YD8	481A-3	01550-0620A	116A-19
		94641-25L00	481A-6	01550-0620B	350A-12
94410-25L00-QKA	481A-1-3	94675-07L00	339A-4	01550-0625A	313A-3
94410-25L00-QZY	481A-1-4		481A-26	01550-0812B	483A-15
94410-25L00-YKV	481A-1-1	95700-14810	505A-20	01550-0816B	163A-9
94410-25L00-YSF	481A-1-2	96514-48H00	505A-18		350A-15
94412-25L00	481A-5	96514-48H10	505A-19	01550-0840A	481A-27

PART NO.	FIG.NO.-REF.NO.	PART NO.	FIG.NO.-REF.NO.	PART NO.	FIG.NO.-REF.NO.
01550-0850A	108A-7		505A-17	09106-08160	530A-8
01550-0860A	108A-8	08316-1008A	541A-16		550A-22
01550-0895A	108A-9	08319-2106A	467A-7	09106-08178	163A-5
01550-1025A	407A-6		467A-18	09106-08181	415A-8
01550-1030B	163A-10	08319-3105A	333A-8	09106-08214	417A-6
02112-0530B	467A-3		339A-8	09106-10096	535A-22
02112-0540B	467A-4	08319-3110A	407A-7	09106-10100	401A-5
02122-0616A	140A-25		550A-20	09106-10102	103A-15
02142-0520A	155A-17	08319-3110B	462A-7	09106-10103	462A-5
02142-1520A	434A-11	08322-0106A	474A-25	09111-06041	212A-13
02162-0612A	185A-14		558A-19	09111-06106	460A-3
03511-0516A	155A-21	08331-31109	116A-16	09111-06107	474A-15
03541-0512A	333A-6	08331-3114A	212A-26	09111-10059	407A-3
	406A-15	08331-3118A	407A-13	09116-05030	330A-4
	443A-3	08331-31409	120A-17	09116-06150	533A-5
	406A-6	08331-31529	124A-6	09116-06172	420A-13
03541-0516A	481A-16		124A-12	09116-08176	163A-6
	474A-22	08332-1106A	415A-11	09118-06097	185A-10
	483A-5		417A-10	09122-66010	541A-4
	485A-12	08361-3506A	301A-8	09126-06011	206A-43
04111-2015A	558A-20	09100-05022	102A-7	09126-06014	212A-22
04211-09149	113A-12	09100-08287	541A-15	09126-06019	505A-21
04211-11169	107A-3	09103-06148	103A-7	09128-06013	311A-4
04211-13189	103A-10	09103-06222	113A-4	09132-05068	163A-16
04221-04089	120A-7	09103-06266	103A-2	09135-06027	189A-7
	212A-5	09103-06285	483A-13	09135-06034	187A-10
06111-07004	417A-9	09103-06525	187A-9		187A-23
07120-0612B	420A-19		187A-22	09135-06035	113A-6
07120-0616A	172A-8	09103-06527	114A-6	09136-05062	333A-3
07120-0620A	178A-3		180A-4		339A-5
	187A-15		201A-31	09136-06056	434A-6
07120-0695A	420A-20	09103-06528	113A-5	09136-06147	212A-8
07120-0816B	401A-9		212A-34	09139-04008	481A-13
07130-0512A	303A-8	09103-06529	114A-7	09139-05091	485A-10
	303A-9	09103-06530	113A-10	09139-05092	485A-11
	530A-10	09103-06532	180A-7	09139-05094	481A-18
	550A-7	09103-06533	113A-11	09139-06028	558A-11
07130-0612A	127A-6	09103-08083	401A-11	09139-06153	206A-44
07130-0625B	127A-11	09103-10064	545A-2	09139-06159	206A-45
	464A-4	09103-10338	120A-18	09139-06188	406A-2
07130-0635A	303A-10	09103-10394	212A-48	09139-06206	460A-4
08123-6205B	550A-6	09103-10428	545A-3		483A-11
08211-06141	212A-14	09103-12031	543A-13	09139-06211	406A-13
08310-0006A	201A-40	09103-12037	543A-14	09139-06222	460A-5
08313-2008A	481A-28	09103-12143	109A-12	09139-06225	447A-11
08316-1006A	313A-4	09103-12144	109A-13		474A-16
	334A-4	09103-12145	103A-14	09180-06283	541A-12
	334A-8	09103-12146	303A-5	09180-06290	185A-11
	427A-10	09106-05023	212A-41	09180-08152	163A-7
	474A-24	09106-06075	109A-2	09180-12122	543A-16

PART NO.	FIG.NO.-REF.NO.	PART NO.	FIG.NO.-REF.NO.	PART NO.	FIG.NO.-REF.NO.
09140-06020	212A-35	09180-12163	543A-10	09267-30011	206A-33
09140-06025	212A-36	09181-08167	401A-12	09280-04004	109A-7
09148-05038	434A-7	09181-10158	116A-13	09280-13004	116A-11
	474A-17	09181-14195	212A-23	09280-17003	114A-9
	447A-10	09181-24005	206A-29	09280-22008	113A-14
	481A-15	09181-25223	201A-22	09280-22024	116A-18
	481A-19	09181-25268	206A-50	09280-26005	212A-42
09159-04013	481A-14	09181-30167	206A-37	09280-26007	103A-4
09159-05019	434A-8	09200-06037	558A-18	09282-10012	201A-37
09159-10115	545A-4	09202-04017	124A-5	09283-06013	201A-38
09159-12056	543A-15		124A-11	09283-14005	212A-25
09159-12072	109A-14	09206-08001	103A-3	09283-28028	530A-4
09159-18007	541A-9	09206-12007	122A-6	09283-42018	206A-39
09159-20004	206A-49	09208-08018	417A-7	09284-37002	550A-3
09159-24010	201A-20	09208-08019	415A-9	09285-10004	201A-39
09160-05046	474A-18	09247-14036	116A-3	09285-17007	543A-5
09160-06088	505A-16	09248-10010	109A-10		543A-9
09160-08159	350A-14	09248-14011	109A-5	09285-20005	543A-6
09160-10020	201A-32	09248-16012	109A-6	09285-20006	206A-13
09160-10144	212A-37		113A-9	09285-39001	550A-18
09160-12036	303A-6	09248-26001	180A-3	09320-08018	481A-11
09160-15045	201A-33	09250-05009	464A-3	09320-08066	163A-19
09160-18022	407A-10	09250-06017	434A-10	09320-08515	481A-9
09160-18030	541A-10	09250-08012	103A-11	09320-09016	406A-14
09160-18037	212A-38		462A-6		460A-6
09160-25036	201A-3	09251-09008	433A-6	09320-09501	333A-4
09160-25056	201A-19		447A-9	09320-10050	420A-14
09160-25073	201A-4	09259-26012	113A-13	09320-10051	185A-6
09160-27008	206A-9	09261-04009	116A-14	09320-10073	339A-6
09161-10009	536A-5	09261-06003	206A-38	09320-12077	163A-8
	557A-6	09262-22049	530A-3	09321-10012	406A-4
09164-24008	201A-21	09262-25006	212A-9		505A-5
09167-27001	206A-10	09262-25073	206A-11	09321-10022	481A-12
09168-06018	113A-7	09262-32024	550A-17	09329-10001	505A-6
09168-06023	103A-8	09263-10014	201A-34	09329-18001	185A-12
09168-06026	187A-11	09263-12027	201A-35	09352-50901-600	187A-25
09168-10002	109A-9	09263-14027	212A-24	09355-13207-600	407A-11
09168-12017	187A-29	09263-15003	201A-36	09355-35007-030	140A-18
09168-14002	109A-3	09263-17059	543A-3	09360-10062	536A-6
	116A-4		543A-8		557A-7
09168-16002	109A-4	09263-20053	543A-4	09360-10064	536A-7
	113A-8	09263-20087	206A-30	09380-27004	206A-14
09169-06032	313A-2	09263-20123	206A-12	09380-27006	206A-15
09169-06100	334A-3	09263-24030	206A-31		206A-16
	334A-7	09263-25018	212A-10	09380-30009	206A-34
09180-06256	163A-18	09263-25073	541A-5		206A-35
09180-06283	434A-9	09263-30018	206A-32		206A-36
09180-06290	185A-11	09263-35045	201A-5	09381-18002	120A-4
09180-08152	163A-7	09265-25038	524A-13	09401-08411	187A-24
09180-12122	543A-16	09265-30020	524A-6	09401-10401	427A-6



## **SUZUKI GSX800FM4 PARTS CATALOGUE**

---

SUZUKI MOTOR CORPORATION All rights reserved

No part of this document may be reproduced or transmitted in any form or by any means, electronic or mechanical, for any purpose, without the express written permission of Suzuki Motor Corporation.

SUZUKI MOTOR CORPORATION

Service Material Development Group, Automobile & Motorcycle Service Engineering Dept.  
300 Takatsuka, Minami, Hamamatsu, Japan

**SUZUKI MOTOR CORPORATION**