

SUZUKI

PARTS CATALOGUE

SUZUKI

RC110

RC110RR

1990



MODEL RC110RR 'BEST'



MODEL FACTORY BEST

LOCAL COLOUR **COLOUR CODE**

- 1) PEARL BLACK 099
- 2) SAVAGE BLUE 255
- 3) CHERRY RED 151

FIGURE 1

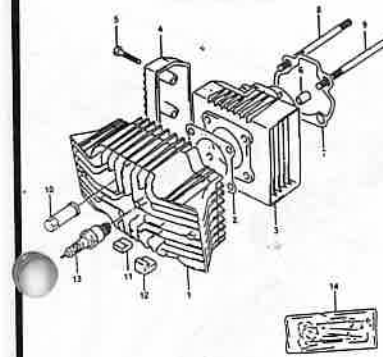


FIGURE 3

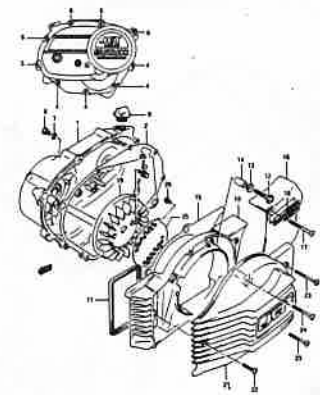


FIGURE 6

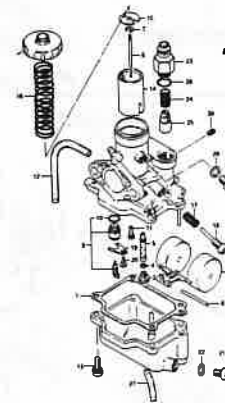


FIGURE 14

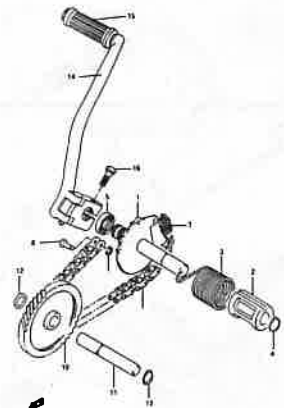


FIGURE 8

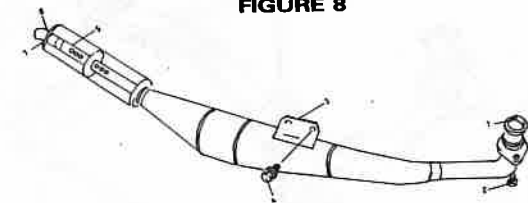


FIGURE 23

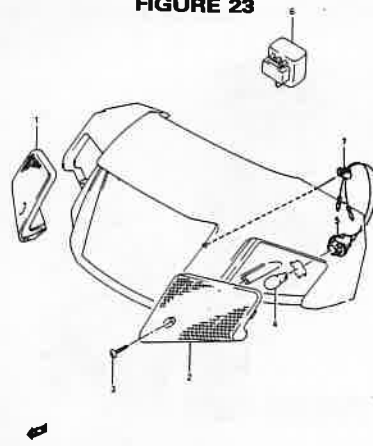


FIGURE 24

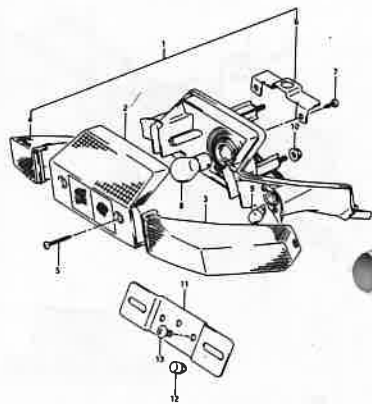


FIGURE 27

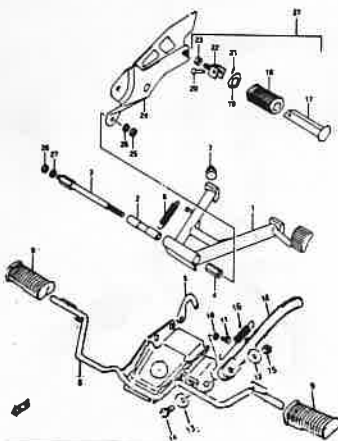


FIGURE 28

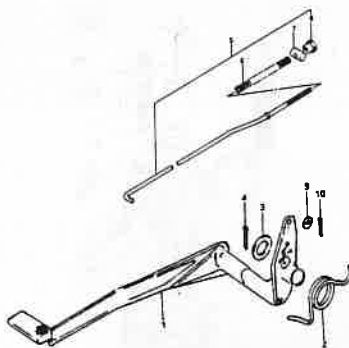


FIGURE 26

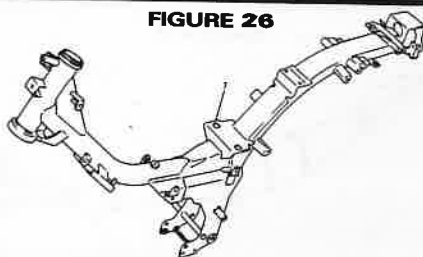


FIGURE 34

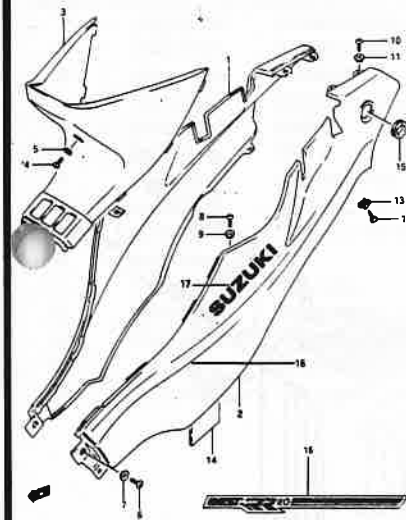


FIGURE 37

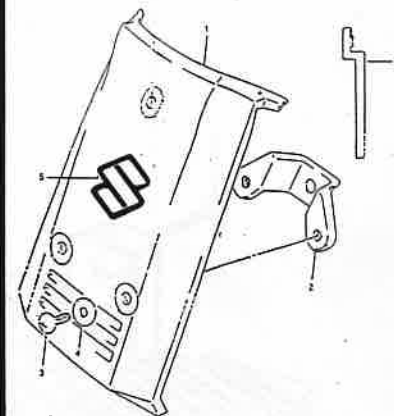


FIGURE 43

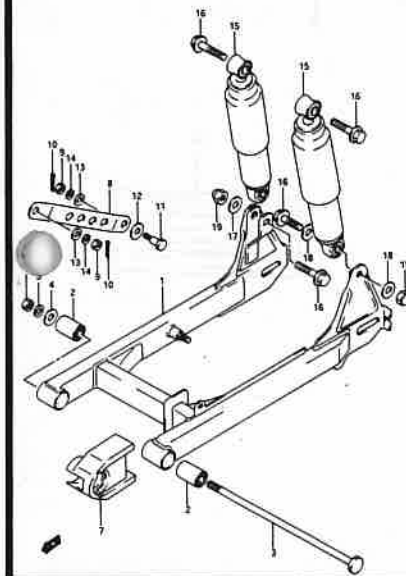


FIGURE 45

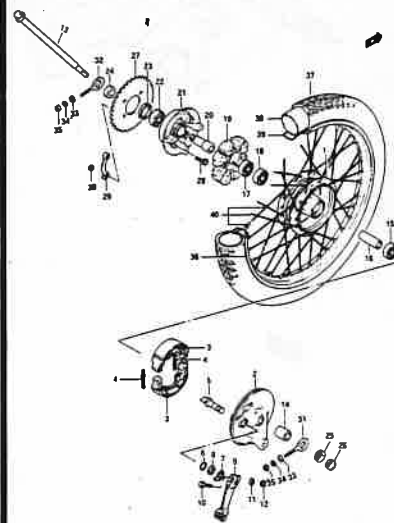
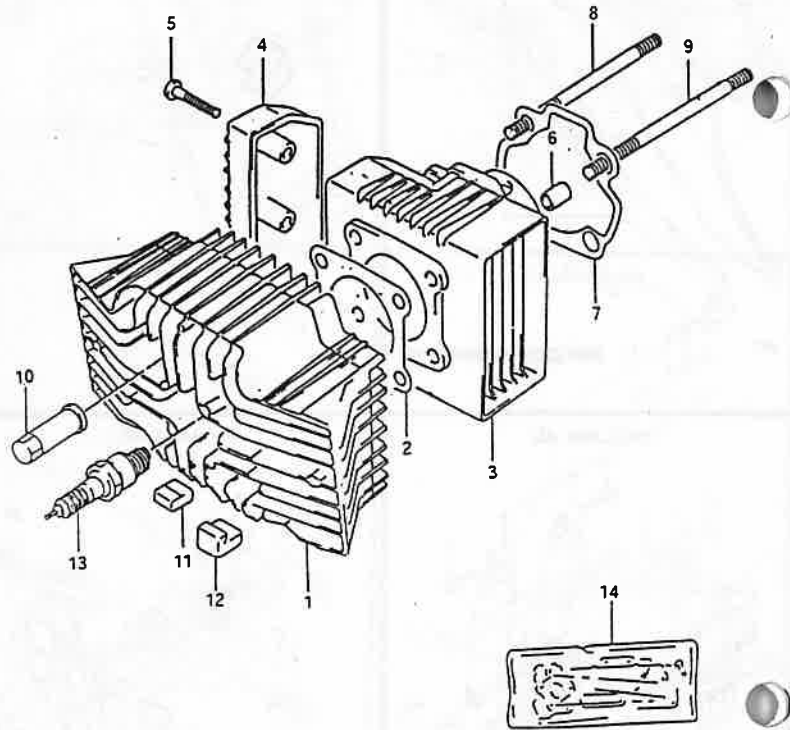


FIG.1



RC110K P14

1

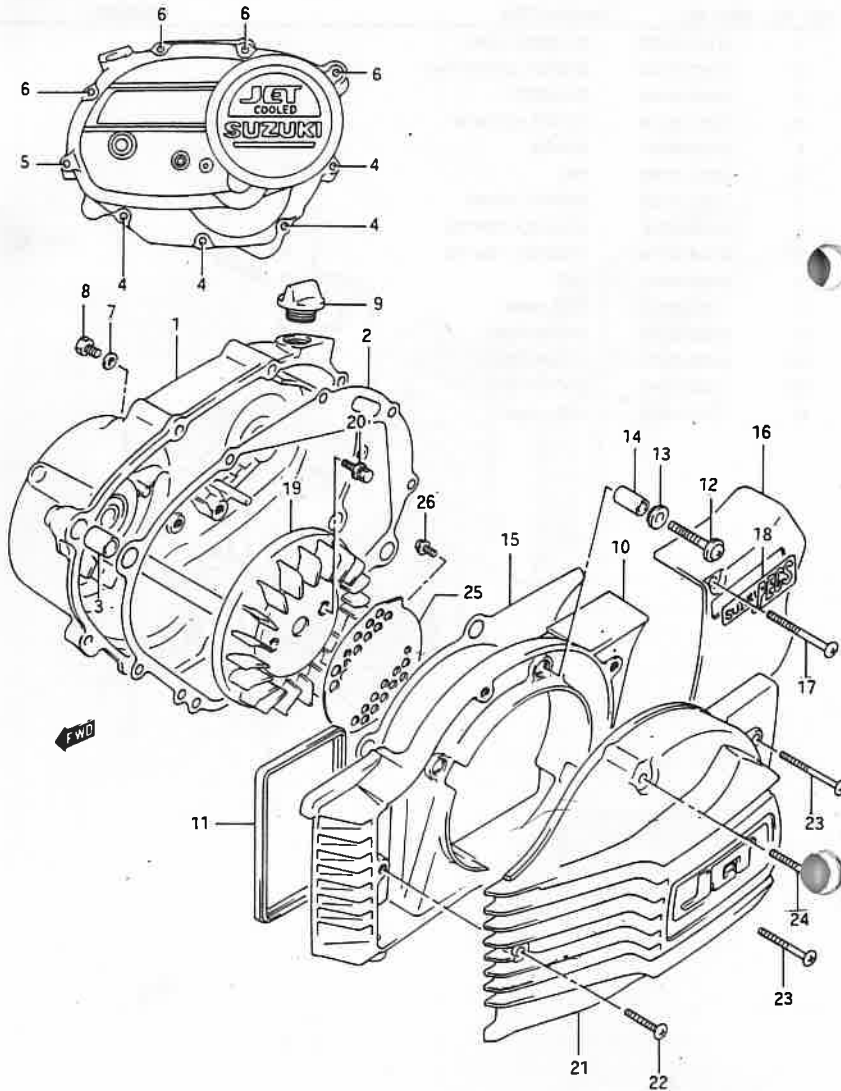
FIG.1 (B- 2) CYLINDER

REF. NO.	PART NO.	DESCRIPTION	Q'TY	REMARKS
1	11111-31C20	CYLINDER HEAD	1	
2	11141-31C00	GASKET, cylinder head	1	
3	11210-31C00	CYLINDER	1	
4	11271-31C10	COVER, cylinder air	1	
5	02112-06407	SCREW	2	
6	04211-11189	PIN	2	
7	11241-31C00	GASKET, cylinder	1	
8	09108-08113	STUD BOLT (8x113)	2	
9	09108-08114	STUD BOLT (8x123)	2	
10	09159-08041	NUT	4	
11	11151-36500	PAD, rubber	16	
12	09482-00268	SPARK PLUG	1	
13-1	09482-00273-111	SPARK PLUG	1	
13-2	11400-31880	GASKET SET	1	
14	11151-31C00	PAD, rubber	1	

RC110K P14

2

FIG. 3



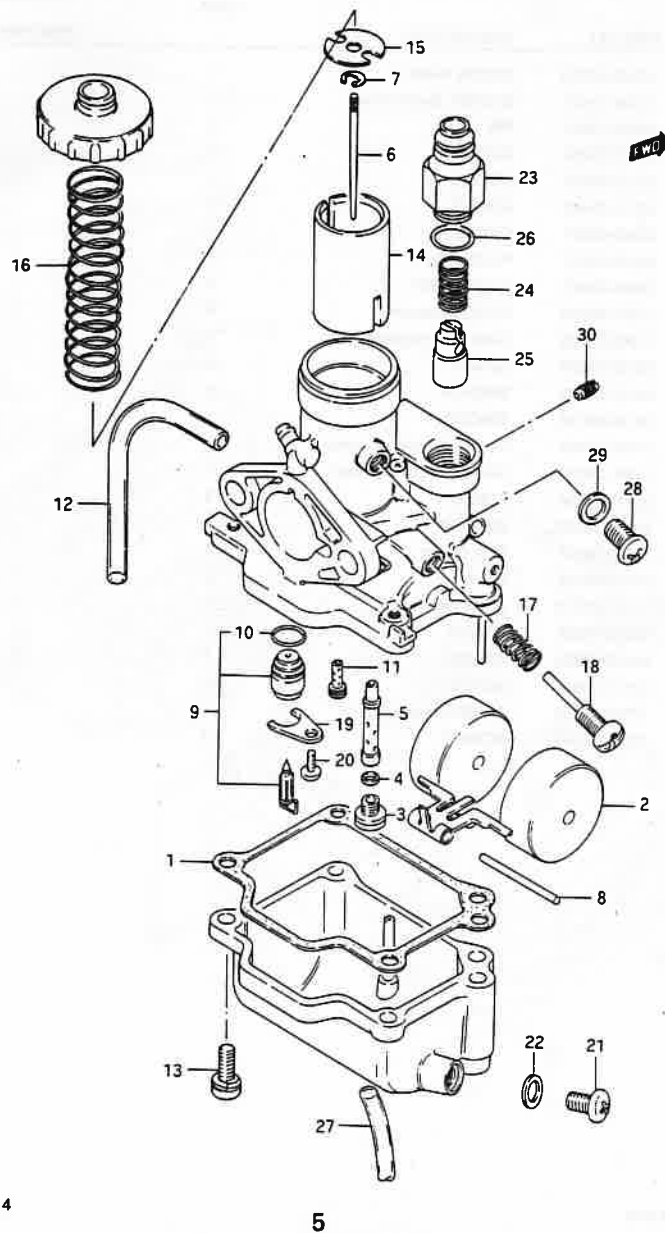
RC110K P14

FIG. 3 (B- 4) CRANKCASE COVER

REF. NO.	PART NO.	DESCRIPTION	QTY	REMARKS
1	11340-31C10	COVER, clutch	1	
2	11482-35401	GASKET, clutch cover	1	
3	09206-13001	PIN	2	
4	02112-08255	SCREW	4	
5	02112-08555	SCREW	1	
6	02112-08455	SCREW	4	
7	09168-08001	GASKET	1	
8	09128-08037	PLUG, oil level	1	
	09200-20810	PLUG, oil filler	1	
10	11351-35510	COVER, magneto	1	
11	11389-35402	CUSHION, magneto cover	1	
12	09136-06084	SCREW	4	
13	09161-09003	WASHER	4	
14	09180-06134	SPACER	4	
15	11483-35400	CUSHION, magneto cover	1	
16	11361-35510	COVER, engine sprocket	1	
17	02112-08504	SCREW	2	
18	68294-35500	EMBLEM	1	
19	17110-35410	FAN, cooling	1	
20	01177-06168	BOLT	2	
21	17131-31C10	COWLING, fan	1	
22	02112-08205	SCREW	1	
23	02112-08305	SCREW	2	
24	02112-08344	SCREW	1	
25	17133-35412	PLATE, fan cowling	1	
26	02152-05088	SCREW	3	

RC110K P14

FIG.6



RC110K P14

5

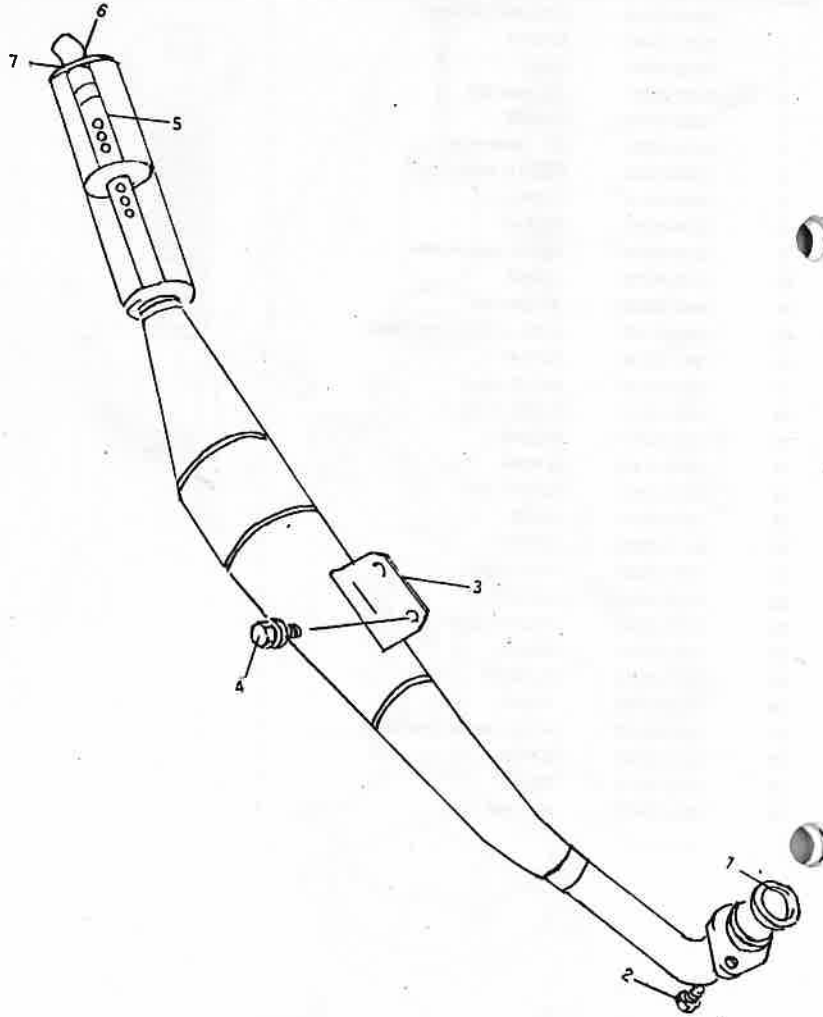
FIG.6 (B- 8) CARBURETOR

REF. NO.	PART NO.	DESCRIPTION	Q'TY	REMARKS
	13200-31C40	CARBURETOR ASSY	1	
1	13251-35400	.GASKET	1	
2	13250-35400	.FLOAT	1	
3	09491-90007	.JET, main (90)	1	
4	13332-35400	.GASKET	1	
5	09494-00622	.JET, needle (E-8)	1	
6	13383-31C01	.NEEDLE, jet (3R7-3)	1	
7	13394-12110	.E RING	1	
8	13254-20010	.PIN, float	1	
9	13370-03A40	.VALVE, assy, needle	1	
10	13374-46710	.O RING	1	
11	09492-20008	.JET, pilot (20)	1	
12	13683-37420	.HOSE, air vent (3.5x6.5x500)	1	
13	13601-04148	.SCREW	4	
14	13551-31C00	.VALVE, piston	1	
15	13581-36212	.PLATE	1	
16	13573-35400	.SPRING	1	
17	13268-37420	.SPRING	1	
18	13267-43200	.SCREW, stop	1	
19	13373-46710	.PLATE	1	
20	02112-03066	.SCREW	1	
21	13247-43200	.PLUG, drain	1	
22	13249-43200	.GASKET	1	
23	13418-43200	.HOLDER, guide	1	
24	13417-01010	.SPRING	1	
25	13411-01010	.PLUNGER	1	
26	13278-02330	.O RING	1	
27	13683-35430	.HOSE, over flow (25x5x250)	1	
28	02112-05066	.SCREW	1	
29	13523-46110	.GASKET	1	
30	09493-24007	.JET, Pilot (1-2)	1	

RC110K P14

6

FIG. 8



RC110K P14

7

FIG. 8 (B-10) MUFFLER

QTY

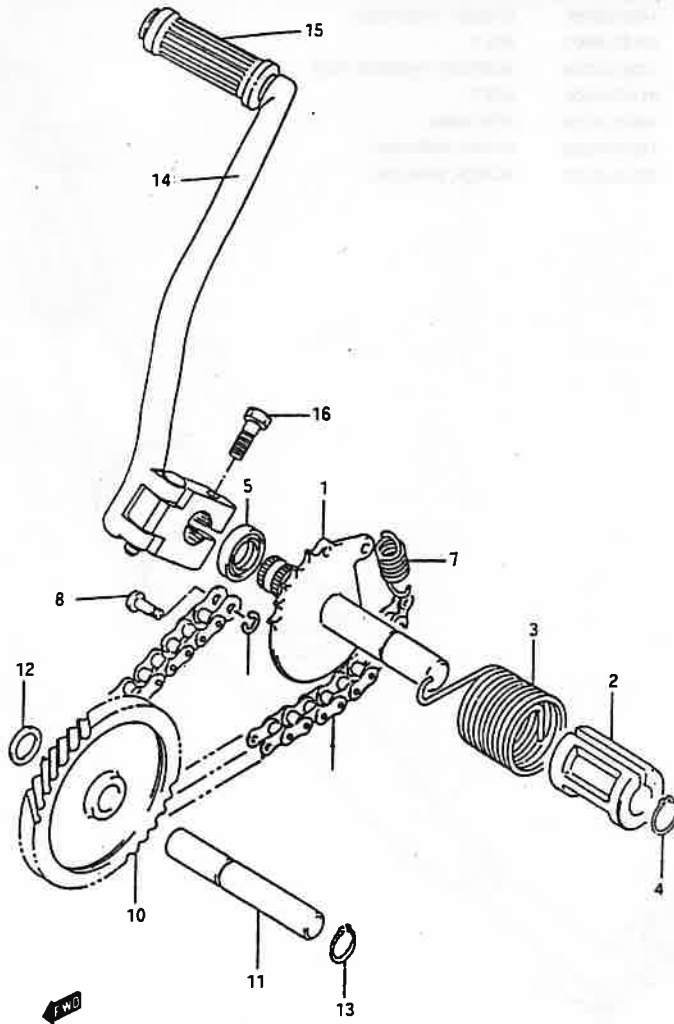
REMARKS

REF. NO.	PART NO.	DESCRIPTION	QTY	REMARKS
1	14181-35400	GASKET, exhaust pipe		
2	09137-08007	BOLT		
3	14301-31C30	MUFFLER CHAMBER ASSY	1, SSY	
4	01187-08205	BOLT		
5	14510-31C30	PIPE, baffle		
6	14518-31C30	O RING, baffle pipe		
7	02112-35105	SCREW, baffle pipe		

RC110K P14

8

FIG. 14



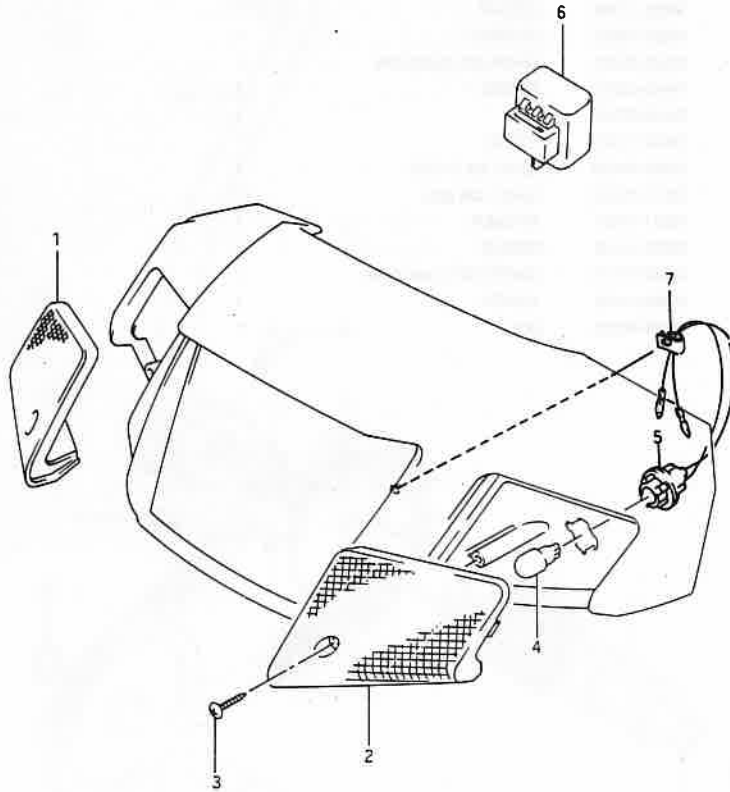
RC110K P14

FIG. 14 (C- 9) KICK STARTER (RC110K)

REF. NO.	PART NO.	DESCRIPTION	QTY	REMARKS
1	26210-31C00	SHAFT, kick starter	1	
2	26221-35400	GUIDE, spring	1	
3	09448-39004	SPRING	1	
4	08331-11149	CIRCLIP	1	
5	09285-14001	OIL SEAL	1	
6	26240-35401	CHAIN, kick starter drive	1	
7	09443-13011	SPRING	1	
8	09208-05005	PIN	1	
9	08332-11046	E RING	1	
10	26261-31C00	GEAR, idle (NT:33)	1	
11	26271-31C00	SHAFT, idle gear	1	
12	08211-12181	WASHER	1	
13	08331-31128	CIRCLIP	1	
14	26300-31C10	LEVER ASSY, kick starter	1	
15	26352-01000	COVER	1	
16	01107-06305	BOLT	1	

RC110K P14

FIG. 23



RC110K P14

11

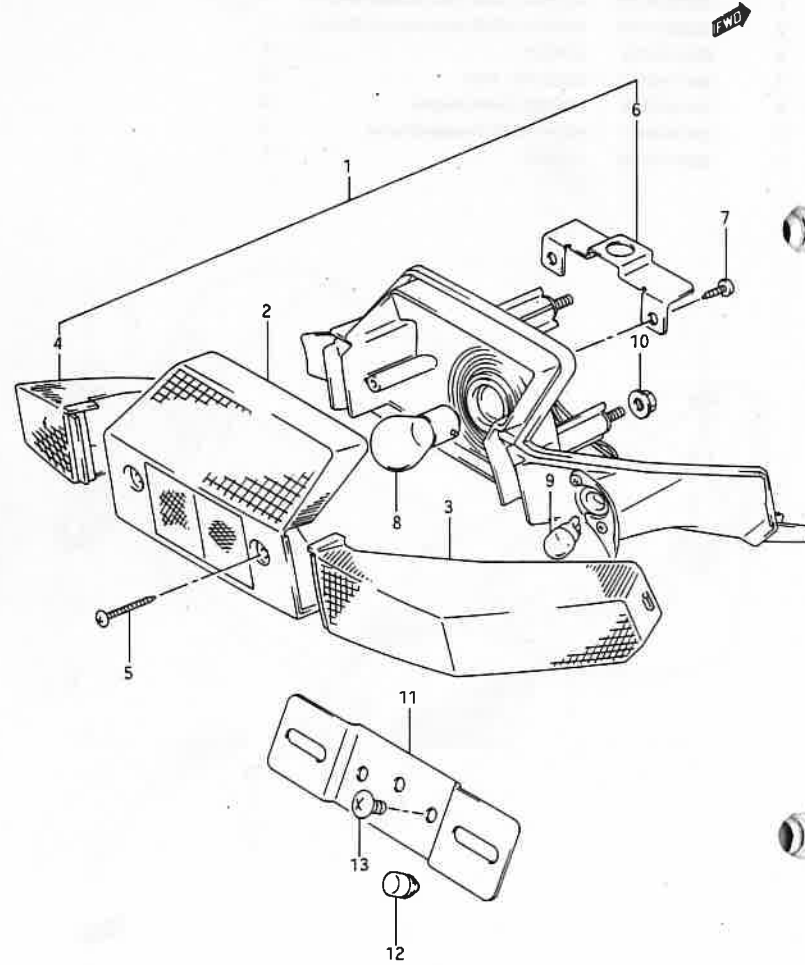
FIG. 23 (D-9) FRONT TURN SIGNAL LAMP

REF. NO.	PART NO.	DESCRIPTION	QTY	REMARKS
1	35612-31C010	SMOKED LENS, front turnsignal lamp RH	1	
2	35632-31C10	SMOKED LENS, front turnsignal lamp LH	1	
3	03511-04166	SCREW	2	
4	09471-12114	BULB (12V, 10W)	2	
5	35618-37B00	SOCKET, front turnsignal	2	
6	38610-09410	RELAY ASSY, turnsignal/buzzer	1	
7	35697-31C00	CLAMP	1	

RC110K P14

12

FIG. 24



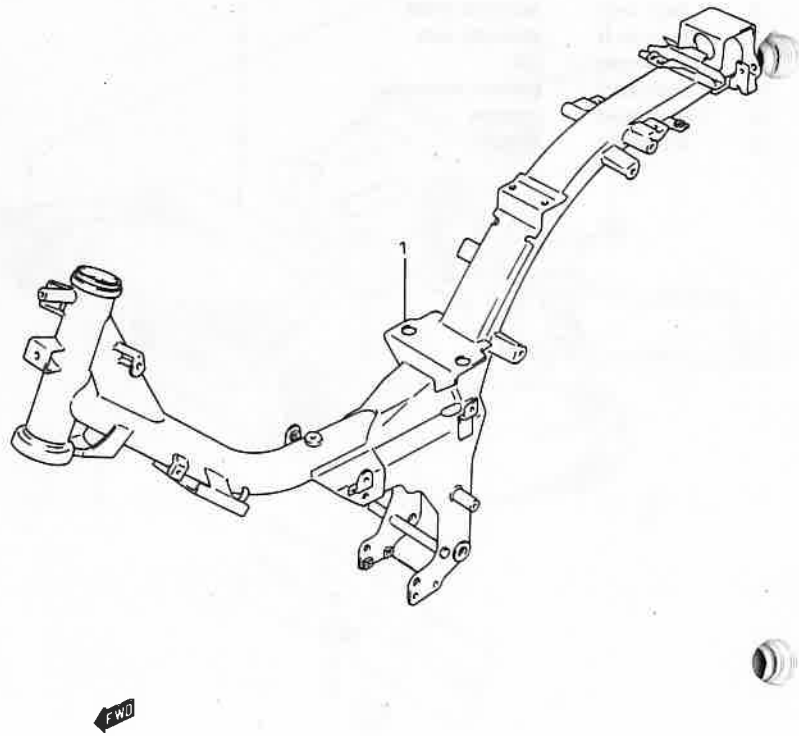
RC110K P14

FIG. 24 (D-10) REAR COMBINATION LAMP

REF. NO.	PART NO.	DESCRIPTION	QTY	REMARKS
1	35710-31C10	SMOKED LAMP ASSY, Rr Comb.	1	
2	35712-31C10	SMOKED LENS, turnstop	1	
3	35652-31C10	SMOKED LENS, turnsignal RH	1	
4	35672-31C10	SMOKED LENS, turnsignal LH	1	
5	03511-04258	.SCREW	2	
6	35726-31C00	.BRACKET	1	
7	03511-05128	.SCREW	2	
8	09471-12127	.BULB (12V, 18/5W)	1	
9	09471-12114	.BULB (12V, 10W)	2	
10	08316-16066	NUT	3	
11	35927-36510	BRACKET, license plate	1	
12	09321-06013	CUSHION	1	
13	02142-06105	SCREW	2	

RC110K P14

FIG. 26



RC110KP14

15

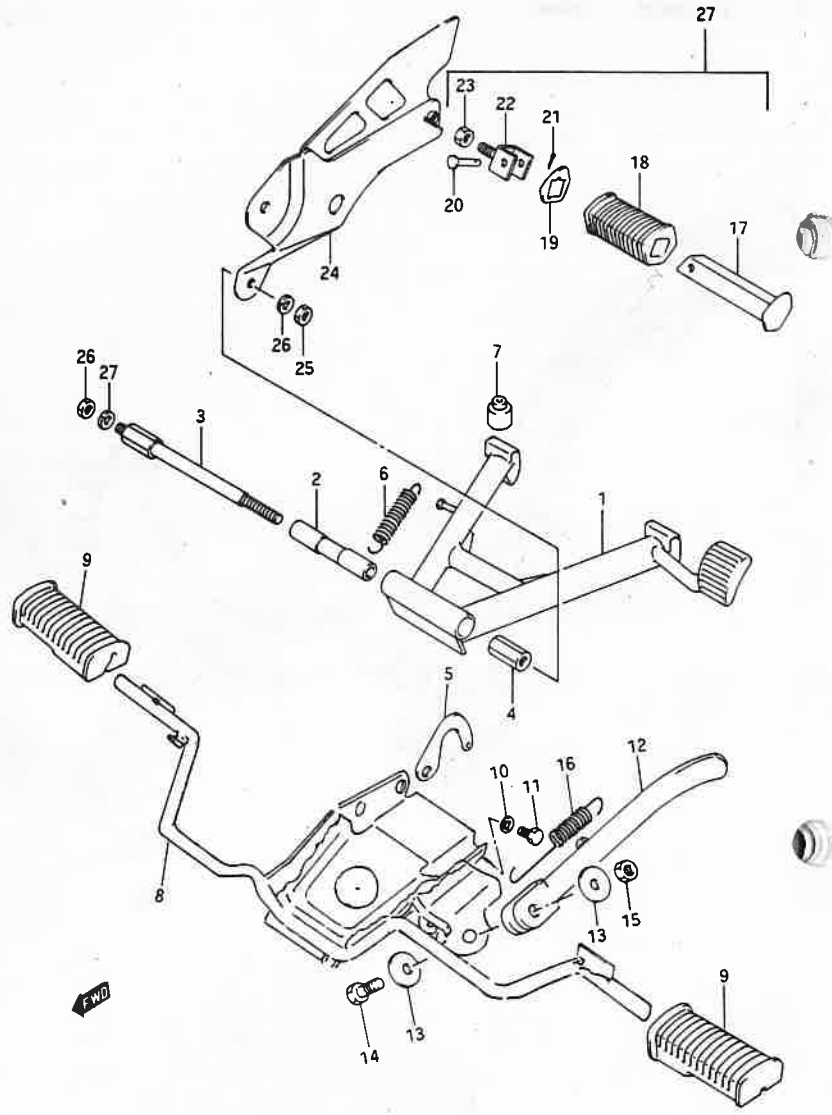
FIG. 26 (D-2) FRAME

REF. NO.	PART NO.	DESCRIPTION	QTY	REMARKS
1	41100-31C10	FRAME	1	

RC110KP14

16

FIG. 27



RC110K P14

17

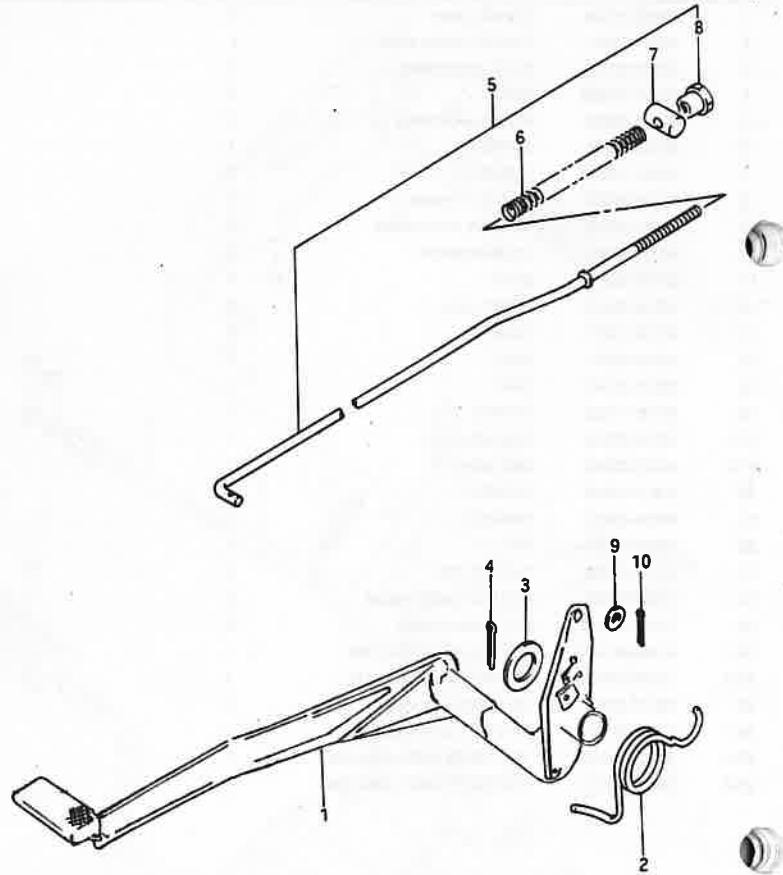
FIG. 27 (E-3) STAND - FOOTREST

REF. NO.	PART NO.	DESCRIPTION	QTY	REMARKS
1	42100-31C00	STAND, center	1	
2	42211-03001	SPACER, center stand	1	
3	42221-31C00	BOLT, center stand	1	
4	42231-31C00	NUT	1	
5	42251-03003	HOOK, center stand	1	
6	09443-16007	SPRING	1	
7	09321-10001	CUSHION	1	
8	43510-31C20	BAR, front footrest	1	
9	43551-39110	RUBBER, front footrest	2	
10	08321-21088	LOCK WASHER	4	
11	01107-08207	BOLT	4	
12	42310-35410	STAND, prop	1	
13	09160-10047	WASHER	2	
14	09100-10007	BOLT	1	
15	08310-22107	NUT	1	
16	09443-14022	SPRING	1	
17-1	43610-39310	BAR, pillion RH	1	
17-2	43620-39310	BAR, pillion LH	1	
18	43612-39310	RUBBER	2	
19	43631-39310	WASHER	2	
20	09200-06010	PIN	2	
21	04111-20208	COTTER PIN	2	
22	43620-03000	HOLDER, pillion footrest	2	
23	08310-21108	NUT, pillion footrest	2	
24-1	43660-31C20	BOARD, pillion footrest RH	1	
24-2	43760-31C20	BOARD, pillion footrest LH	1	
25	08310-22108	NUT, pillion footboard	2	
26	08321-21107	WASHER, pillion footrest	2	
27-1	43600-39310	FOOTREST ASSY, pillion RH	1	
27-2	43700-39310	FOOTREST ASSY, pillion LH	1	

RC110K P14

18

FIG. 28



RC110K P14

19

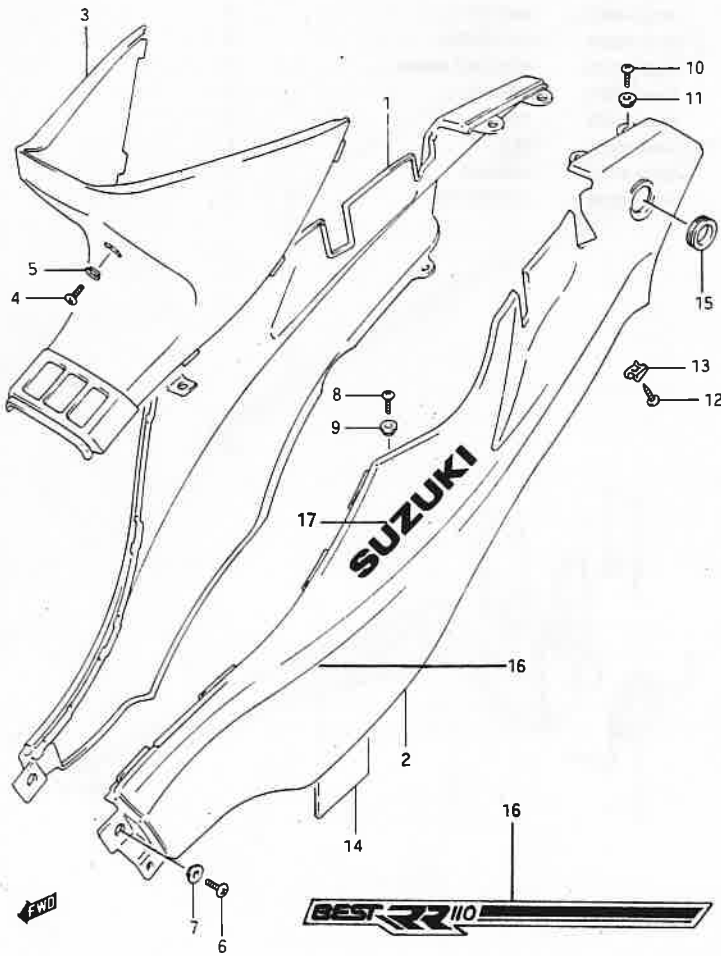
FIG. 28 (E-4) REAR BRAKR

REF. NO.	PART NO.	DESCRIPTION	QTY	REMARKS
1	43110-31C10	PEDAL, brake	1	
2	43211-35500	SPRING	1	
3	09160-15002	WASHER	1	
4	04111-30308	COTTER PIN	1	
5	43300-31C00	ROD ASSY, braked	1	
6	09440-09004	.SPRING	1	
7	09209-11002	.PIN	1	
8	09150-06001	.NUT	1	
9	08322-21057	.WASHER	1	
10	04111-20208	.COTTER PIN	1	

RC110K P14

20

FIG. 34



RC110K P14

21

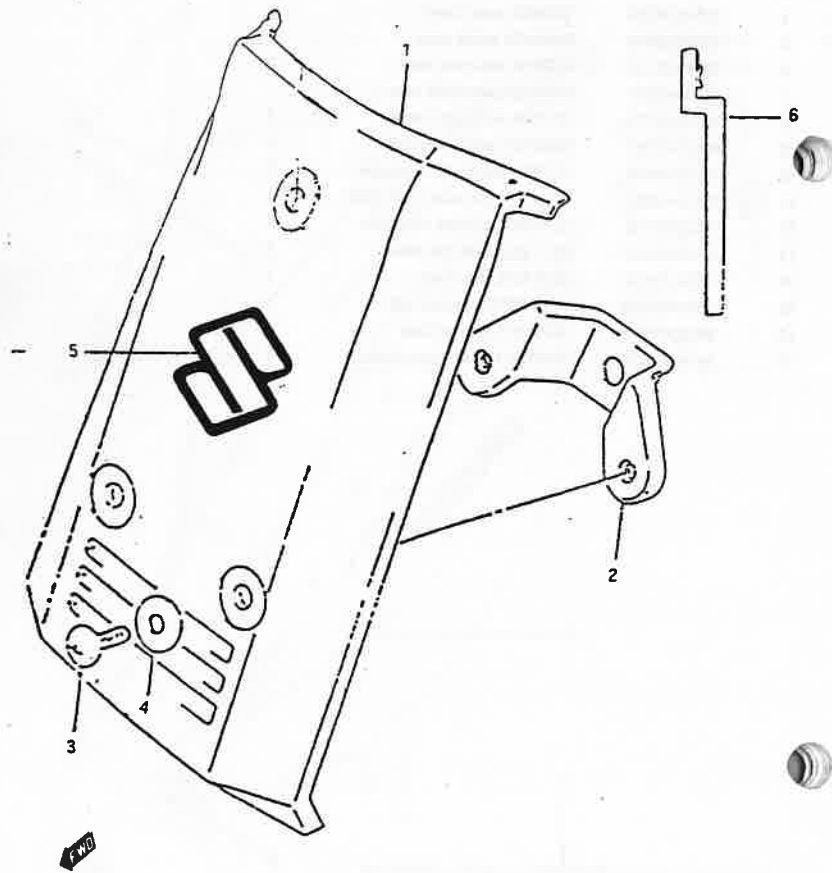
FIG. 34 (E-10) FRAME COVER

REF. NO.	PART NO.	DESCRIPTION	Q'TY	REMARKS
1	47111-31C00	COVER, frame RH	1	
2	47211-31C00	COVER, frame LH	1	
3	47311-31C00	COVER, center	1	
4	02142-05124	SCREW, center cover	1	
5	09169-05012	WASHER, center cover	1	
6	02142-06126	SCREW, side cover, front	2	
7	09169-06041	WASHER, side cover, front	2	
8	02142-06126	SCREW, side cover, center	2	
9	09169-06047	WASHER, side cover, center	2	
10	02142-05124	SCREW, side cover, rear, upper	4	
11	09169-05012	WASHER, side cover, rear, upper	4	
12	03242-05165	SCREW, side cover, rear, lower	2	
13	09148-05019	NUT, side cover, rear, lower	2	
14	47221-31C00	CUSHION, side cover, L	1	
15	45522-04700	GROMMET, seat lock hole	1	
16	68130-31C10	TAPE SET, Frame Cover	1	
17	68140-31C20	'SUZUKI' Decal, Frame Cover	1	

RC110K P14

22

FIG. 37



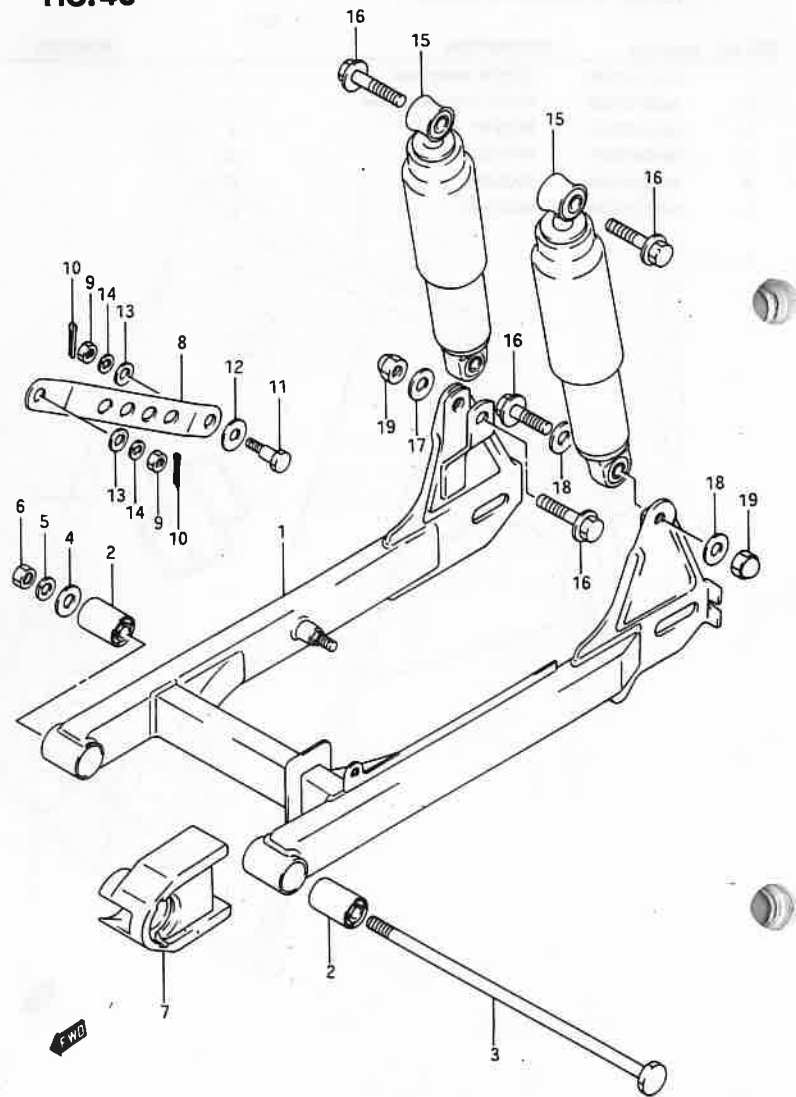
RC110K P14

FIG. 37 (F-3) FRONT FORK COVER

REF. NO.	PART NO.	DESCRIPTION	QTY	REMARKS
1	51871-31C00	COVER, frame head	1	
2	51860-31C00	PLATE, frame head cover	1	
3	02142-06164	SCREW	2	
4	09169-06041	WASHER	2	
5	51876-31C00	EMBLEM	1	
6	51861-31C00	BRACKET	1	

RC110K P14

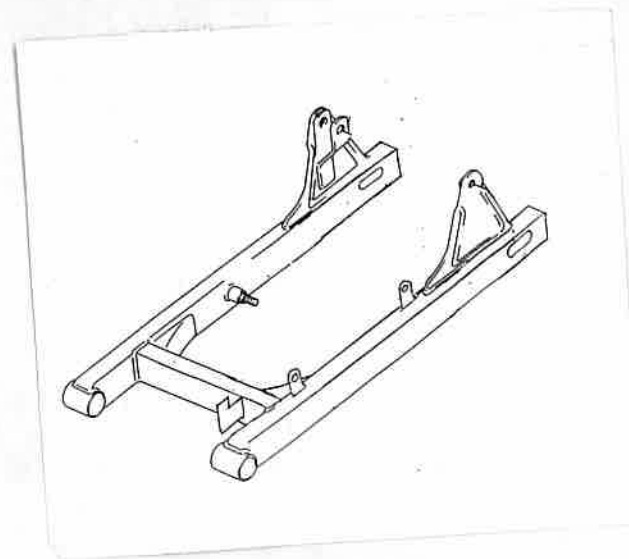
FIG. 43



RC110K P14

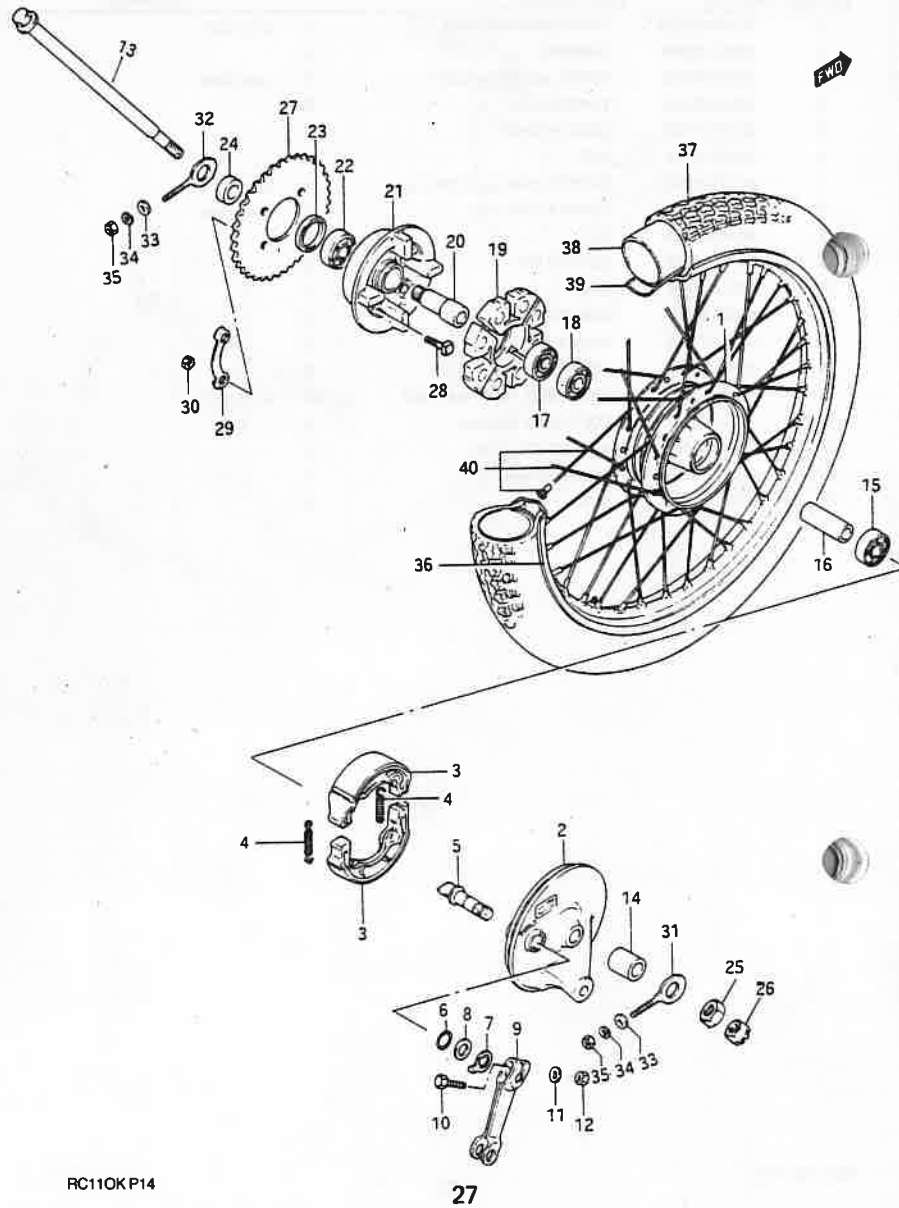
FIG. 43 (F-9) REAR SWINGING ARM

REF. NO.	PART NO.	DESCRIPTION	Q'TY	REMARKS
1	61100-31C1Q	REAR SWINGING ARM	1	Local parts
2	09319-10009	BUSHING	2	
3	61211-31C00	SHAFT, rear swinging arm	1	Local parts
4	08322-21108	WASHER, RH	2	
5	08321-21108	LOCK WASHER	1	
6	08310-11108	NUT	1	
7	61273-31C00	BUFFER, chain touch defence	1	Local parts
8	64311-31C00	TORQUE LINK, rear	1	Local parts
9	09140-08008	NUT	2	
10	04111-20208	COTTER PIN	2	
11	09111-08016	BOLT	1	
12	64322-09401	CUSHION	1	
13	08322-21088	WASHER	2	
14	08321-21088	LOCK WASHER	2	
15	62100-31C01	ABSORBER ASSY, rear shock	2	Local parts
16	09116-10022	BOLT, shock absorber	4	
17	09160-10001	WASHER, lower RH	1	
18	09160-10001	WASHER, lower LH	1	
19	08313-11108	NUT	2	



RC110K P14

FIG. 45



RC110K P14

27

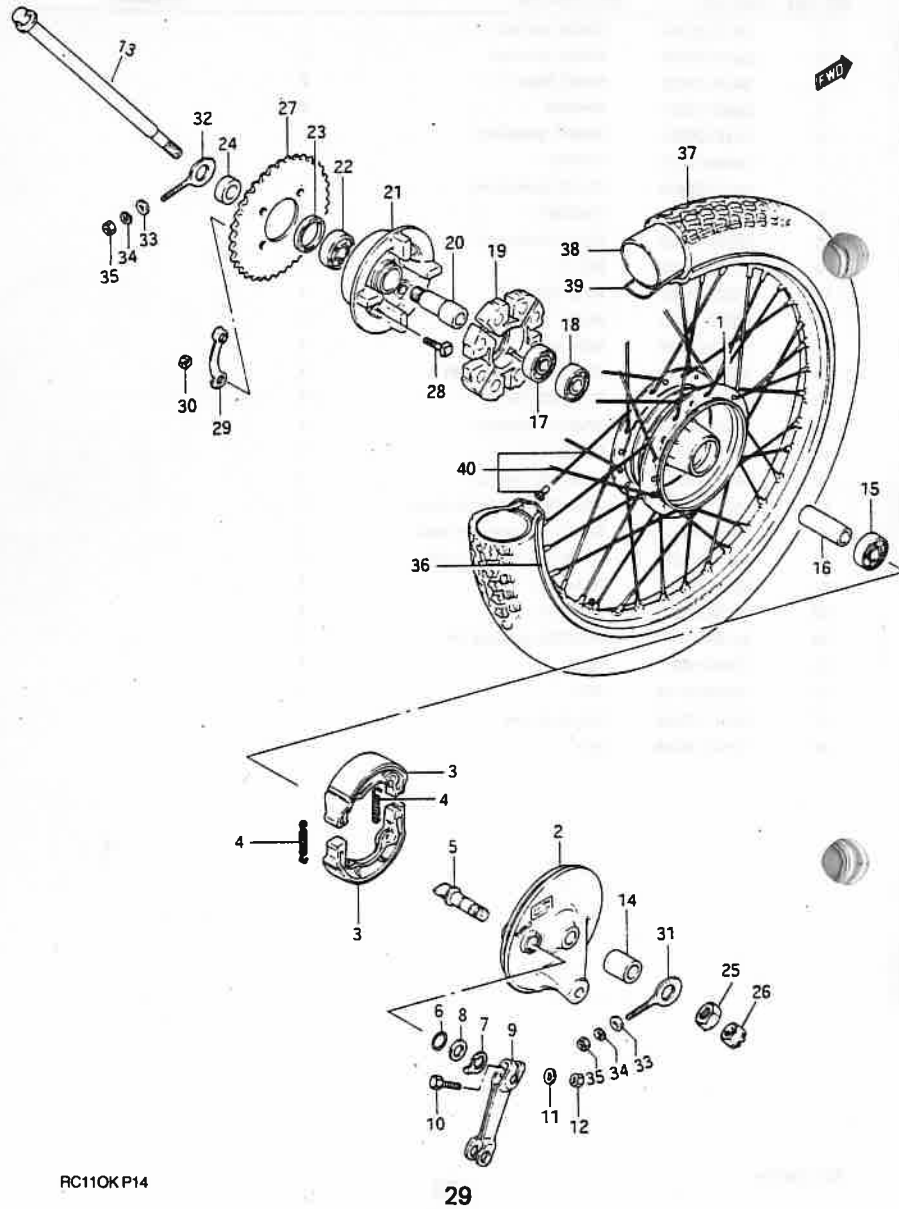
FIG. 45 (F-11) REAR WHEEL

REF. NO.	PART NO.	DESCRIPTION	Q'TY	REMARKS
1	64110-35300	DRUM, rear hub	1	
2	64210-46003	PANEL, rear hub	1	
3	54410-01010	SHOE, brake	2	
4	09443-07001	SPRING	2	
5	54441-29304	SHAFT, brake cam	1	
6	09280-14003	O RING	1	
7	54492-35400	PLATE, brake lining	1	
8	09160-14003	WASHER	1	
9	64451-43020	LEVER, brake cam	1	
10	09100-06048	BOLT	1	
11	08322-21068	WASHER	1	
12	08310-11068	NUT	1	
13	54711-38220	AXLE, rear	1	
14	64731-31C00	SPACER, rear axle, RH	1	
15	08143-63017	BEARING, RH	1	
16	09180-12084	SPACER, bearing	1	
17	08143-62017	BEARING, LH	1	
18	08113-62017	BEARING, inner LH	1	
19	64651-01001	ABSORBER, rear hub shock	1	
20	64761-01000	SHAFT, rear sprocket drum	1	
21	64611-31C10	DRUM, sprocket mounting	1	
22	08113-60047	BEARING	1	
23	09285-28003	OIL SEAL	1	
24	64721-31C10	SPACER, rear axle, LH	1	
25	09140-18010	NUT	1	
26	08319-31128	NUT	1	
27	64511-35480	Sprocket, rear	1	
28	09105-08008	Bolt	4	

RC110K P14

28

FIG. 45



RC11OKP14

29

FIG. 45 (F-12) REAR WHEEL

REF. NO.	PART NO.	DESCRIPTION	QTY	REMARKS
29	09169-08011	LOCK WASHER	2	
30	08310-11088	NUT	4	
31	61411-35400	ADJUSTER, RH chain	1	
32	61421-31C10	ADJUSTER, LH chain	1	
33	08322-21068	WASHER	2	
34	08321-21068	LOCK WASHER	2	
35	08310-11068	NUT	2	
36	55311-03021	WHEEL RIM	1	
37	65110-31000	TIRE	1	
38	55200-03600	TUBE ASSY, inner	1	
39	55261-01010	PROTECTOR, inner tube	1	
40	65320-03021	SPOKE SET	1	

RC11OKP14

30



PARTS NUMBER INDEX
INDEX DE N° DE PIECE
INDICE DE No. DE PIEZAS

[Faint, illegible text and diagrams, possibly a technical drawing or schematic, are visible on the left page.]

[Faint, illegible text and diagrams, possibly a technical drawing or schematic, are visible on the right page.]

PART NO.	FIG. NO.-REF. NO.	PART NO.	FIG. NO.-REF. NO.	PART NO.	FIG. NO.-REF. NO.	
10000	11111-31C20	1 - 1	17131-31C10	3 - 21	42251-03003	27 - 5
	11141-31C00	1 - 2	17133-35412	3 - 25	42310-35410	27 - 12
	11151-31C00	1 - 12			43110-31C10	28 - 1
	11151-36500	1 - 11			43211-35500	28 - 2
					43300-31C00	28 - 5
	11210-31C00	1 - 3			43510-31C20	27 - 8
	11241-31C00	1 - 7			43551-39110	27 - 9
	11271-31C10	1 - 4			43600-39310	27 - 27-1
	11340-31C10	3 - 1			43610-39310	27 - 17-1
	11351-35510	3 - 10			43612-39310	27 - 18
20000	11361-35510	3 - 16	26210-31C00	14 - 1	43620-03000	27 - 27
	11389-35402	3 - 11	26221-35400	14 - 2	43620-39310	27 - 1
	11400-31880	1 - 14	26240-35401	14 - 6	43631-39310	27 - 1
	11482-35401	3 - 2	26261-31C00	14 - 10	43660-31C20	27 - 24-1
	11483-35400	3 - 15	26271-31C00	14 - 11	43700-39310	27 - 27-2
					43760-31C20	27 - 24-2
	13200-31C40	6	26300-31C10	14 - 14	45522-04700	34 - 15
	13251-35400	6 - 1	26352-01000	14 - 15	47111-31C00	34 - 1
	13247-43200	6 - 21			47211-31C00	34 - 2
	13249-43200	6 - 22			47221-31C00	34 - 14
13250-35400	6 - 2			47311-31C00	34 - 3	
30000	13254-20010	6 - 8	35612-31C10	23 - 1		
	13267-43200	6 - 18	35618-37B00	23 - 5		
	13268-37420	6 - 17	35632-31C10	23 - 2		
	13278-02330	6 - 26	35652-31C10	24 - 3		
	13332-35400	6 - 4	35672-31C10	24 - 4		
	13370-03A40	6 - 9	35697-31C00	23 - 7	51860-31C00	37 - 2
	13373-46710	6 - 19	35710-31C10	24 - 1	51861-31C00	37 - 6
	13374-46710	6 - 10	35712-31C10	24 - 2	51871-31C00	37 - 1
	13383-31C01	6 - 6	35726-31C00	24 - 6	51876-31C00	37 - 5
	13394-12110	6 - 7	35927-36510	24 - 11	54410-01010	45 - 3
40000	13411-01010	6 - 25	38610-09410	23 - 6	54441-29304	45 - 5
	13417-01010	6 - 24			54492-35400	45 - 7
	13418-43200	6 - 23			54711-38220	45 - 13
	13523-46110	6 - 29			55200-03600	45 - 38
	13551-31C00	6 - 14			55261-01010	45 - 39
	13573-35400	6 - 16			55311-03021	45 - 3
	13581-36212	6 - 15				
	13601-04148	6 - 13				
	13683-35430	6 - 27				
	13683-37420	6 - 12				
60000	14181-35400	8 - 1	41100-31C10	26 - 1		
	14301-31C30	8 - 3	42100-31C00	27 - 1		
	14510-31C30	8 - 5	42211-03001	27 - 2		
	14518-31C30	8 - 6	42221-31C00	27 - 3		
	17110-35410	3 - 19	42231-31C00	27 - 4	61100-31C10	43 - 1
					61211-31C00	43 - 3

PART NO.	FIG. NO.-REF. NO.	PART NO.	FIG. NO.-REF. NO.	PART NO.	FIG. NO.-REF. NO.
61273-31C00	43 - 7	03511-05128	24 - 7	09160-10001	43 - 18
61411-35400	45 - 31	04111-20208	28 - 10	09160-10001	43 - 17
61421-31C10	45 - 32	04111-20208	27 - 21	09160-10047	27 - 13
62100-31C01	43 - 15	04111-20208	43 - 10	09160-14003	45 - 8
64110-35300	45 - 1	04111-30308	28 - 4	09160-15002	28 - 3
64210-46003	45 - 2	04211-11189	1 - 6	09161-09003	3 - 13
64311-31C00	43 - 8	05320-03021	45 - 40	09168-06001	3 - 7
64322-09401	43 - 12	08113-60047	45 - 22	09169-05012	34 - 11
64451-43020	45 - 9	08113-62017	45 - 18	09169-05012	34 - 5
64511-35480	45 - 27	08143-62017	45 - 17	09169-06041	34 - 7
64611-31C10	45 - 21	08143-63017	45 - 15	09169-06041	37 - 4
651-01001	45 - 19	08211-12181	14 - 12	09169-06047	34 - 9
6721-31C10	45 - 24	08310-11068	45 - 35	09169-08011	45 - 29
64731-31C00	45 - 14	08310-11068	45 - 12	09180-06134	3 - 14
64761-01000	45 - 20	08310-11068	45 - 30	09180-12084	45 - 16
65110-31000	45 - 37	08310-11108	43 - 6	09200-06010	27 - 20
68130-31C10	34 - 16	08310-21108	27 - 23	09200-20810	3 - 9
68140-31C20	34 - 17	08310-22107	27 - 15	09206-13001	3 - 3
68234-35500	3 - 18	08310-22108	27 - 25	09208-05005	14 - 8
65320-03021	45 - 40	08313-11108	43 - 19	09209-11002	28 - 7
		08316-16066	24 - 10	09280-14003	45 - 6
		08319-31128	45 - 26	09285-14001	14 - 5
		08321-21068	45 - 34	09285-28003	45 - 23
		08321-21088	27 - 10	09319-10009	43 - 2
		08321-21088	43 - 14	09321-06013	24 - 12
		08321-21107	27 - 26	09321-10001	27 - 7
		08321-21108	43 - 5	09440-09004	28 - 6
		08322-21057	28 - 9	09443-07001	45 - 4
		08322-21068	45 - 33	09443-13011	14 - 7
		08322-21068	45 - 11	09443-14022	27 - 16
		08322-21088	43 - 13	09443-16007	27 - 6
		08322-21108	43 - 4	09448-39004	14 - 3
		08331-11149	14 - 4	09471-12114	23 - 4
		08331-31128	14 - 13	09471-12114	24 - 9
		08332-11046	14 - 9	09471-12127	24 - 8
		09100-06048	45 - 10	09482-00268	1 - 13-1
		09100-10007	27 - 14	09483-00273-111	1 - 13-2
		09105-08008	45 - 28	09491-90007	6 - 3
		09108-08113	1 - 8	09492-20008	6 - 11
		09108-08114	1 - 9	09493-24007	6 - 30
		09111-08016	43 - 11	09494-00622	6 - 5
		09116-10022	43 - 16		
		09128-06037	3 - 8		
		09136-06084	3 - 12		
		09137-08007	8 - 2		
		09140-08008	34 - 9		
		09140-18010	45 - 25		
		09148-05019	34 - 13		
		09150-06001	28 - 8		
		09159-08041	1 - 10		