



SUZUKI

RR Sports

PARTS CATALOGUE

1994

FIG.1

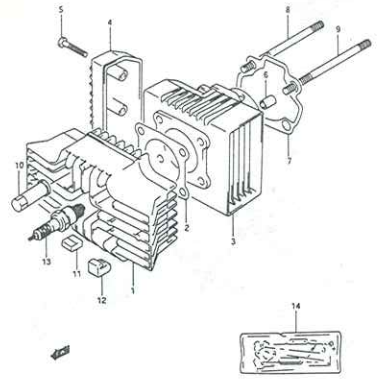


FIG.2

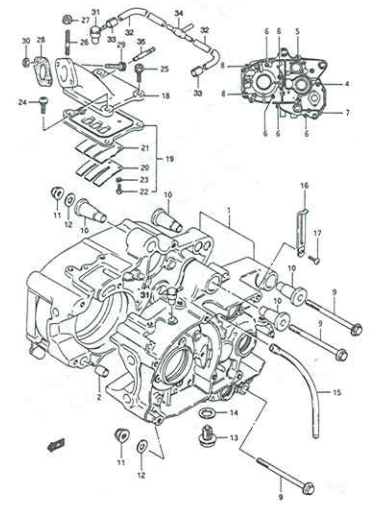


FIG.3

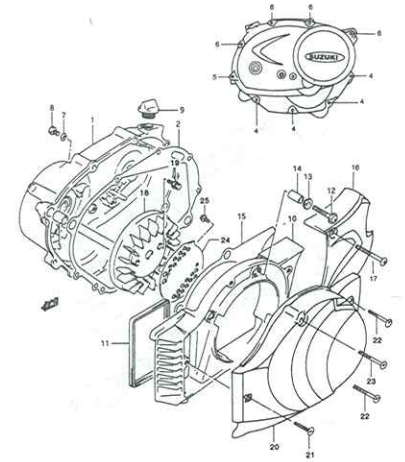


FIG.4

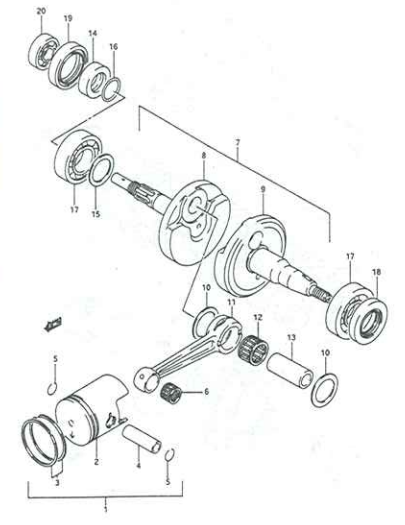


FIG.5

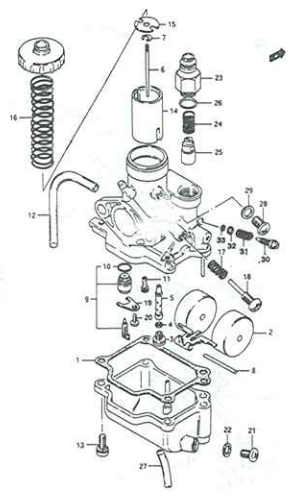


FIG.6

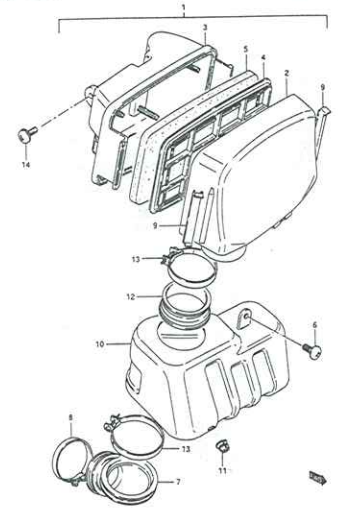


FIG.7

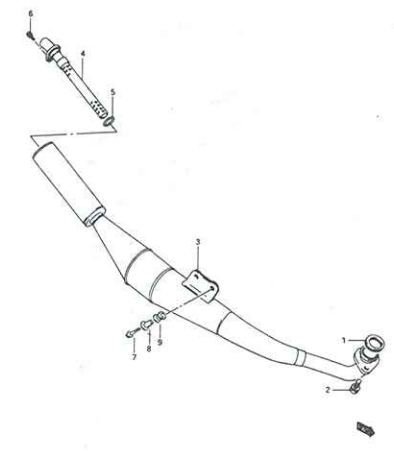


FIG.8

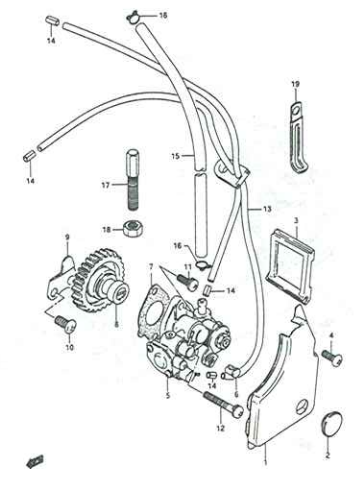


FIG.9

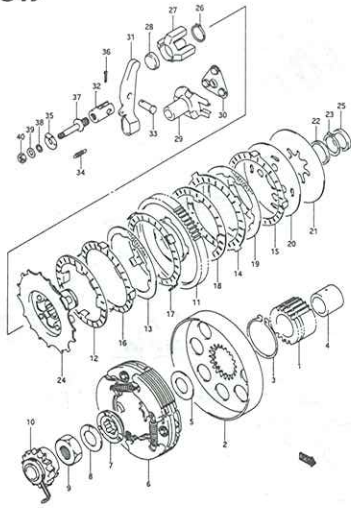


FIG.10

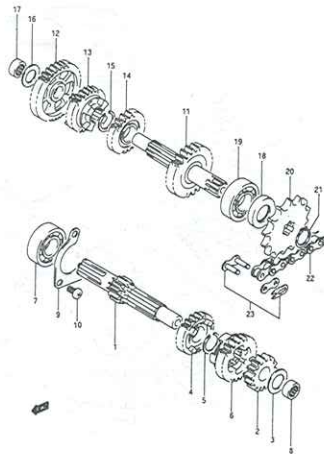


FIG.11

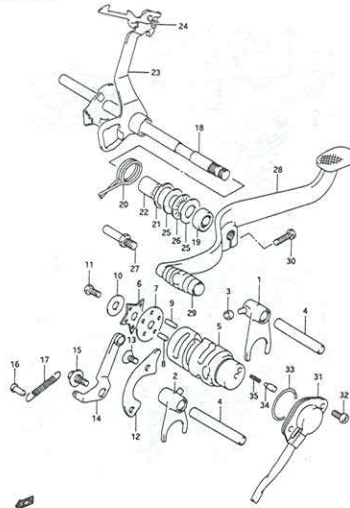


FIG.12

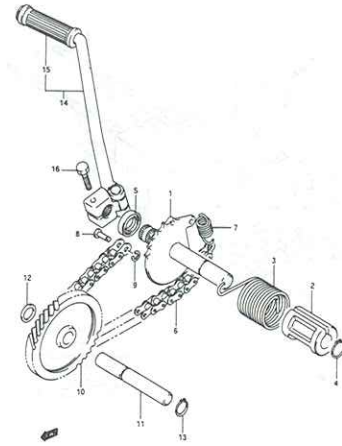


FIG.13

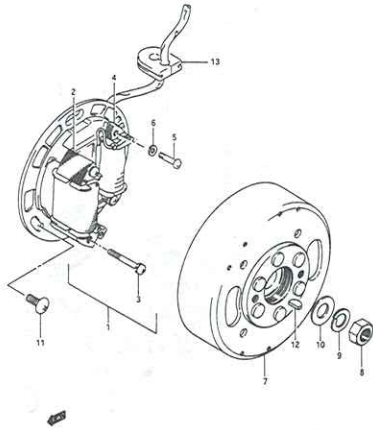


FIG.14

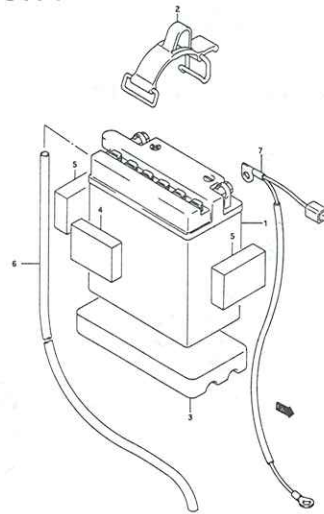


FIG.15

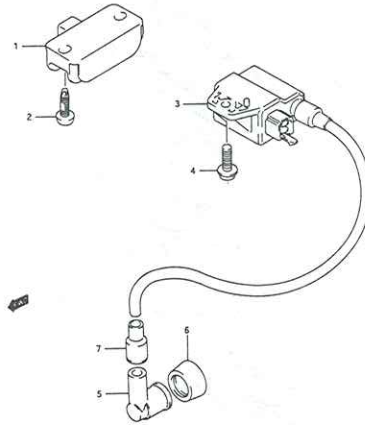


FIG.16

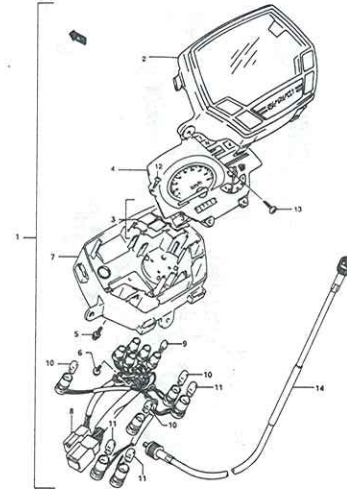


FIG.17

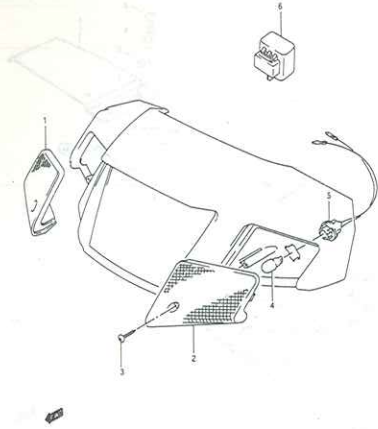


FIG.18

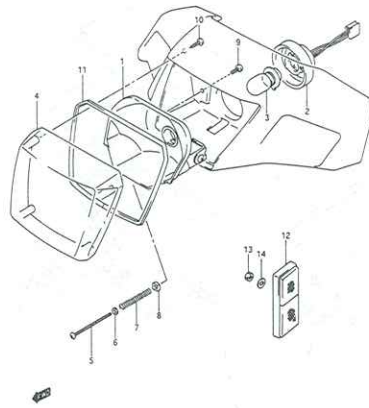


FIG.19

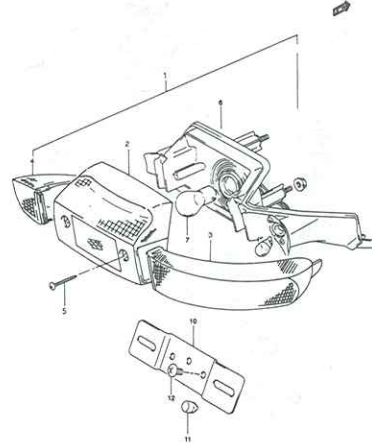


FIG.20

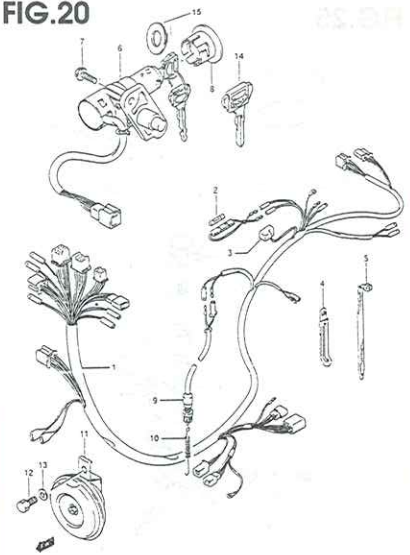


FIG.21

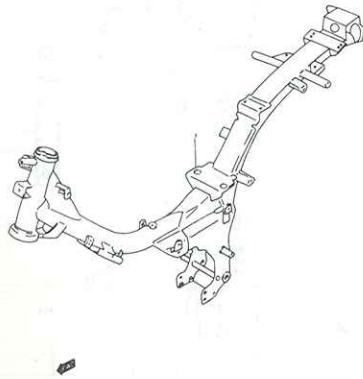


FIG.22

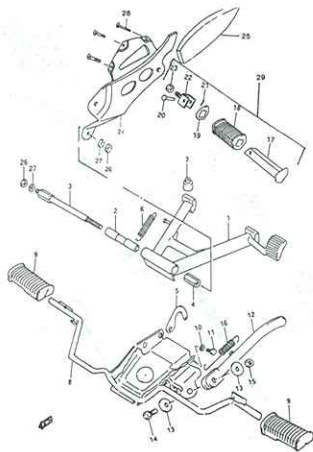


FIG.23

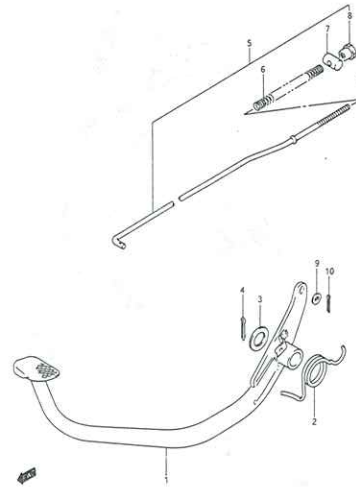


FIG.24

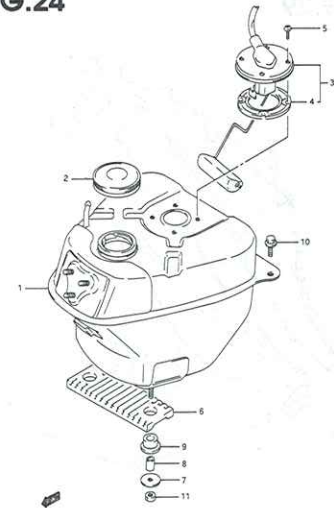


FIG.25

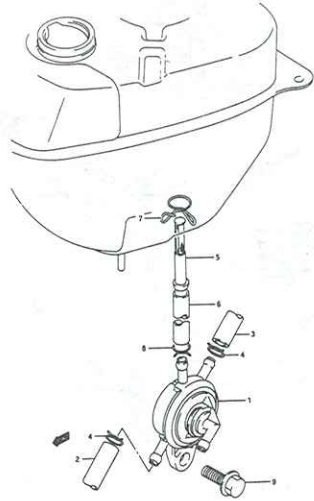


FIG.26

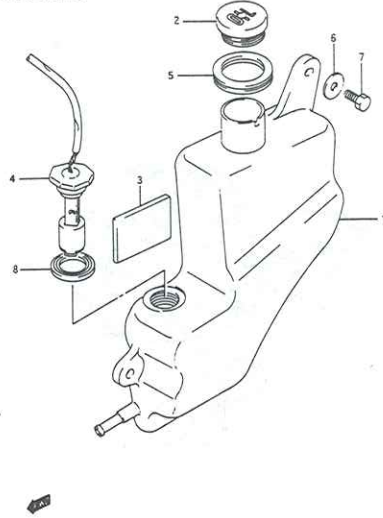


FIG.27

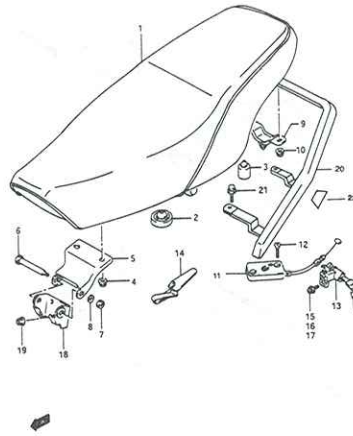


FIG.28

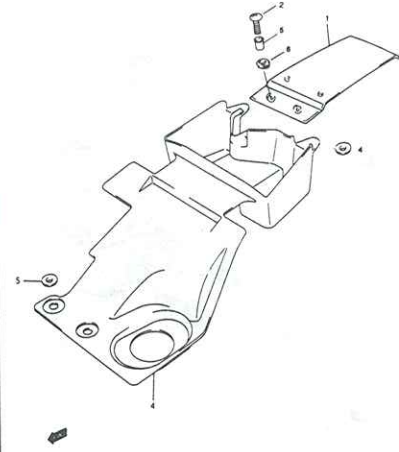


FIG.29

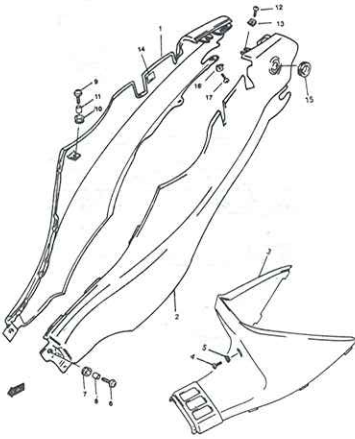


FIG.30

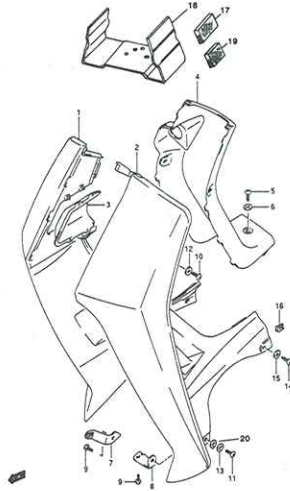


FIG.31

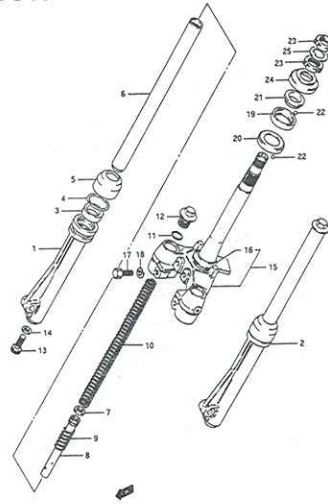


FIG.32

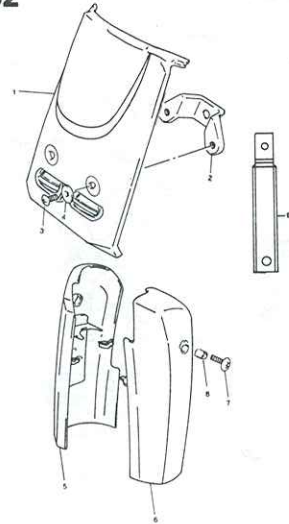


FIG.33

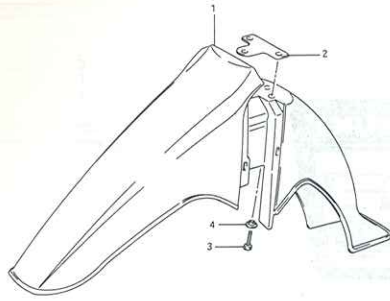


FIG.34

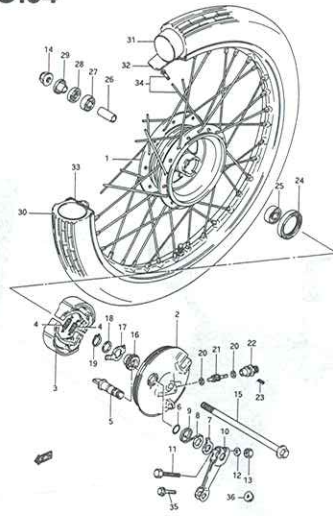


FIG.35

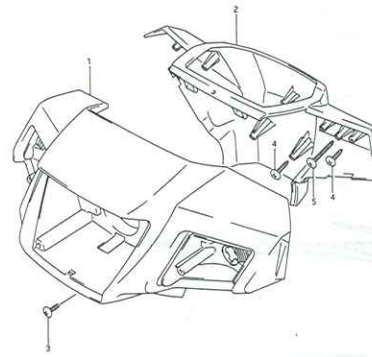


FIG.36

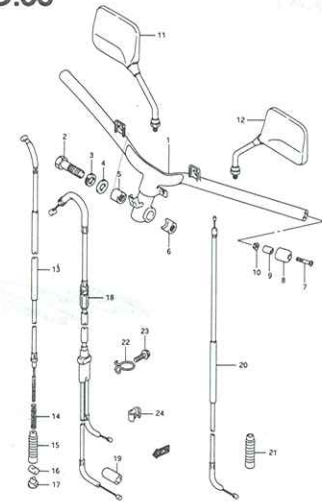


FIG.37

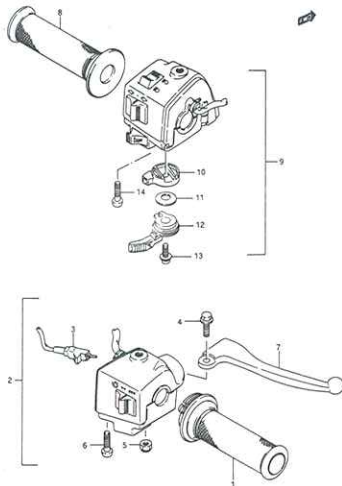


FIG.38

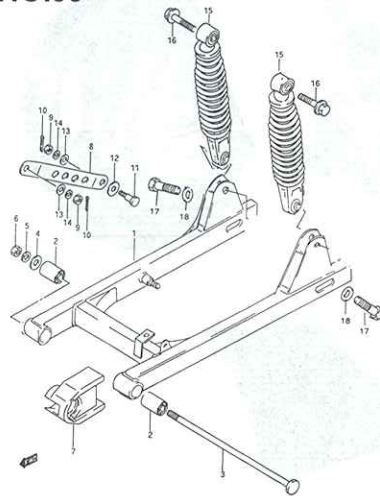


FIG.39

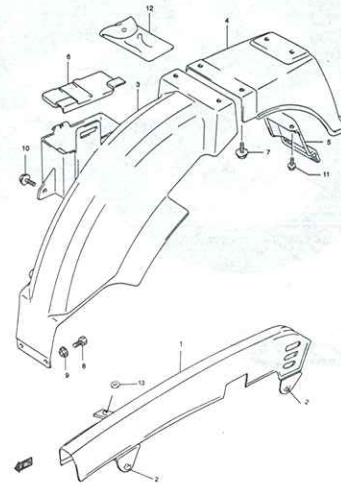
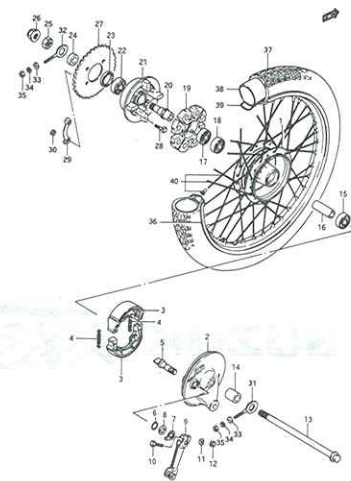


FIG.40



1

FIG.41

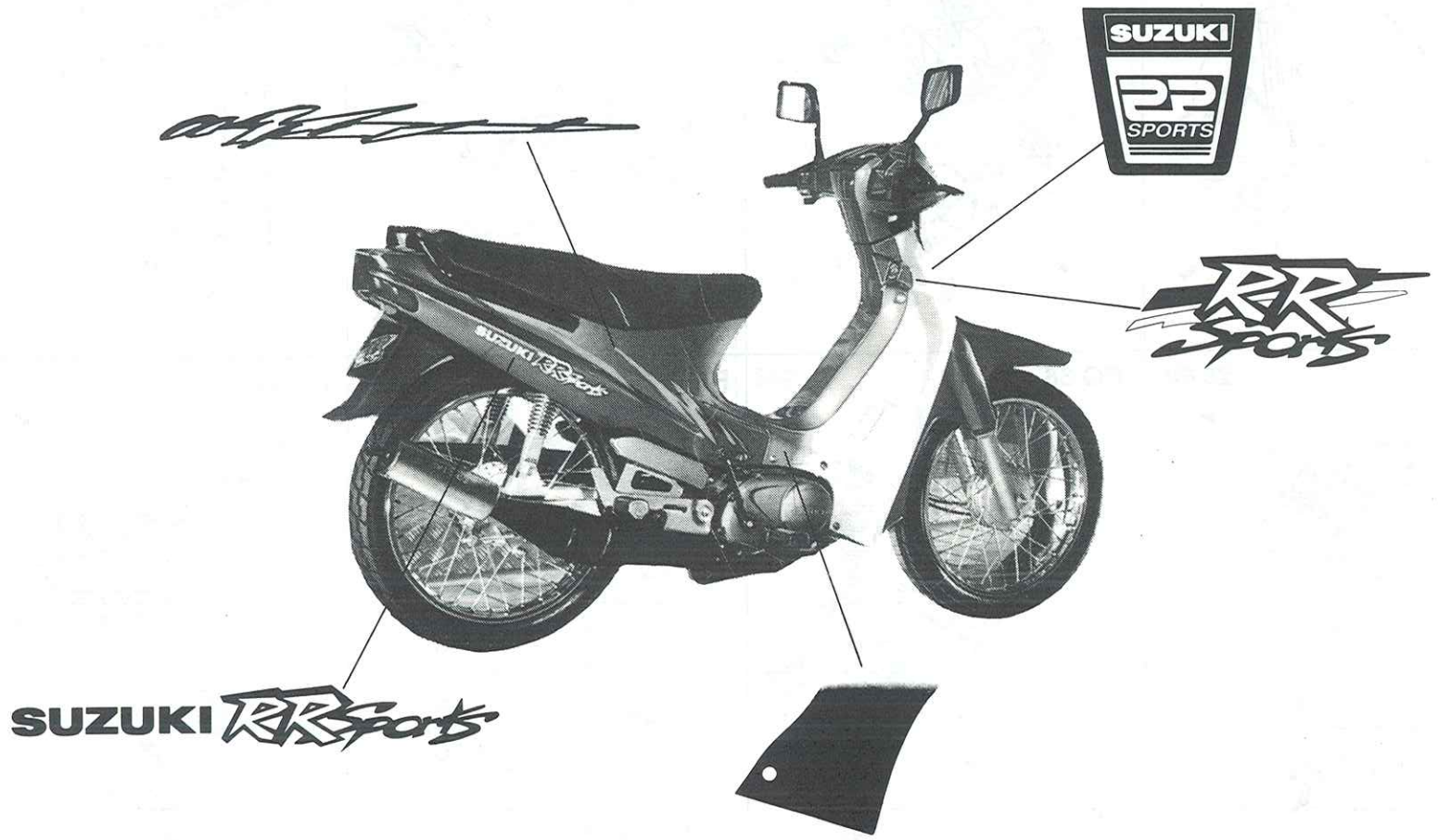


FIG.1

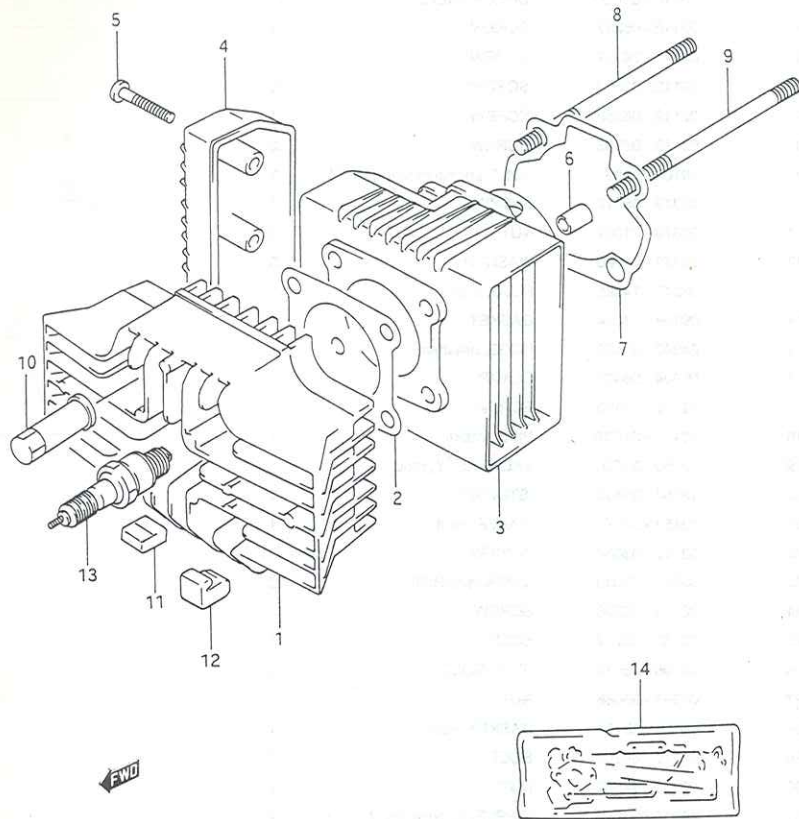


FIG.1 (B-2) CYLINDER

REF. NO.	PART NO.	DESCRIPTION	QTY	REMARKS
1	11111M31C20	HEAD, cylinder	1	
2	11141M31C00	GASKET, cylinder head	1	
3	11210 - 31C20	CYLINDER	1	
4	11271M31C10	COVER, cylinder air	1	
5	02112 - 06407	SCREW	2	
6	04211 - 11189	PIN	2	
7	11241 - 31C10	GASKET, cylinder	1	
8	09108 - 08113	STUD BOLT (8x113)	2	
9	09108 - 08114	STUD BOLT (8x123)	2	
10	09159 - 08041	NUT	4	
11	11151 - 36500	PAD, rubber	16	
12	11151 - 31C00	PAD, rubber	1	
13-1	09482M00268	SPARK PLUG (NGK, BP8HS)	1	
13-2	09482 - 00273 - 111	SPARK PLUG (ND, W24FP)	1	
14	11400 - 31881	GASKET SET	1	

FIG.2

2

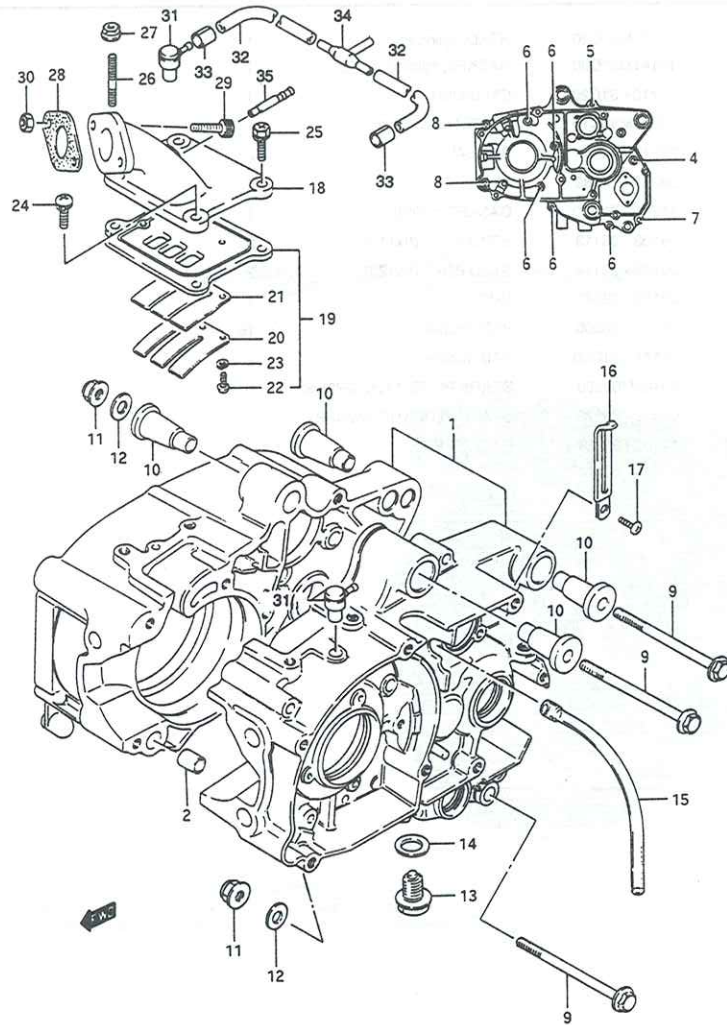


FIG.2 (B-5) CRANKCASE

REF. NO.	PART NO.	DESCRIPTION	Q'TY	REMARKS
1	11301M31812	CRANKCASE SET	1	
2	09206 - 13001	.PIN	2	
3	16910 - 09C00	.CHECK VALVE	1	
4	02112 - 06257	.SCREW	1	
5	02112 - 06357	.SCREW	1	
6	02112 - 06507	.SCREW	5	
7	02112 - 06558	.SCREW	1	
8	02112 - 06608	.SCREW	2	
9	09103 - 08097	BOLT, engine mount (8x105)	3	
10	09319 - 08010	BUSHING	4	
11	08319 - 31087	NUT	3	
12	08322 - 21088	WASHER	3	
13	09247 - 14025	PLUG, drain	1	
14	09168 - 14004	GASKET	1	
15	24840 - 35400	HOSE, breather	1	
16	09404 - 06401	CLAMP	1	
17	02112 - 06128	SCREW	1	
18	13111 - 31C10	PIPE, intake	1	
19	13150 - 31C01	VALVE ASSY, reed	1	
20	13152 - 35400	.STOPPER	1	
21	13153 - 31C01	.VALVE, reed	1	
22	02112 - 03063	.SCREW	3	
23	08321 - 21033	.LOCK WASHER	3	
24	02112 - 36206	SCREW	2	
25	09137 - 06019	SCREW	1	
26	09108 - 08070	STUD BOLT	1	
27	08361 - 35066	NUT	1	
28	13125M35401	GASKET, intake	1	
29	07110 - 06208	BOLT	2	
30	08310 - 22067	NUT	2	
31	16910 - 21D00	NIPPLE, oil hose No. 2	2	
32	09352 - 20503 - 300	HOSE, oil (L:300 → 55)	2	
33	09401 - 04401	CLIP, oil hose No. 2	2	
34	09367 - 03001	JOINT, oil hose No. 2	1	
35	11349 - 23400	NOZZLE, oil hose	1	

RR SPORT

FIG.3

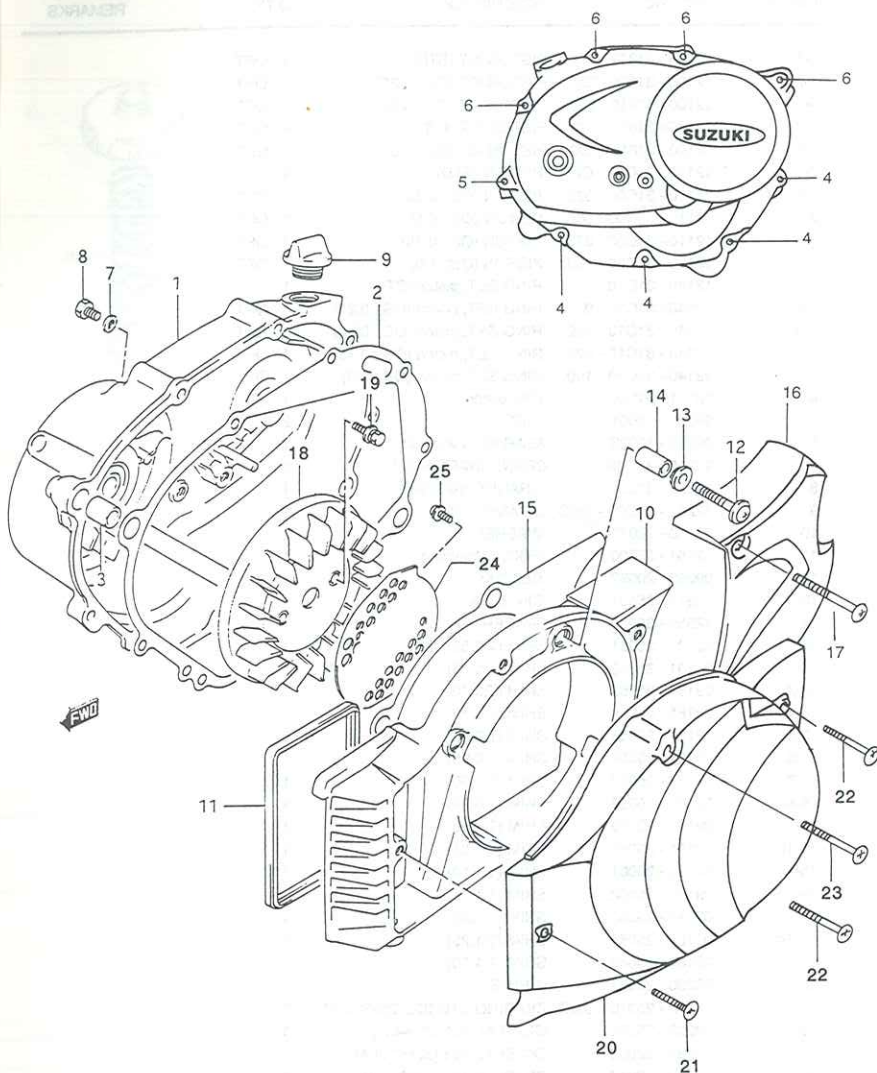
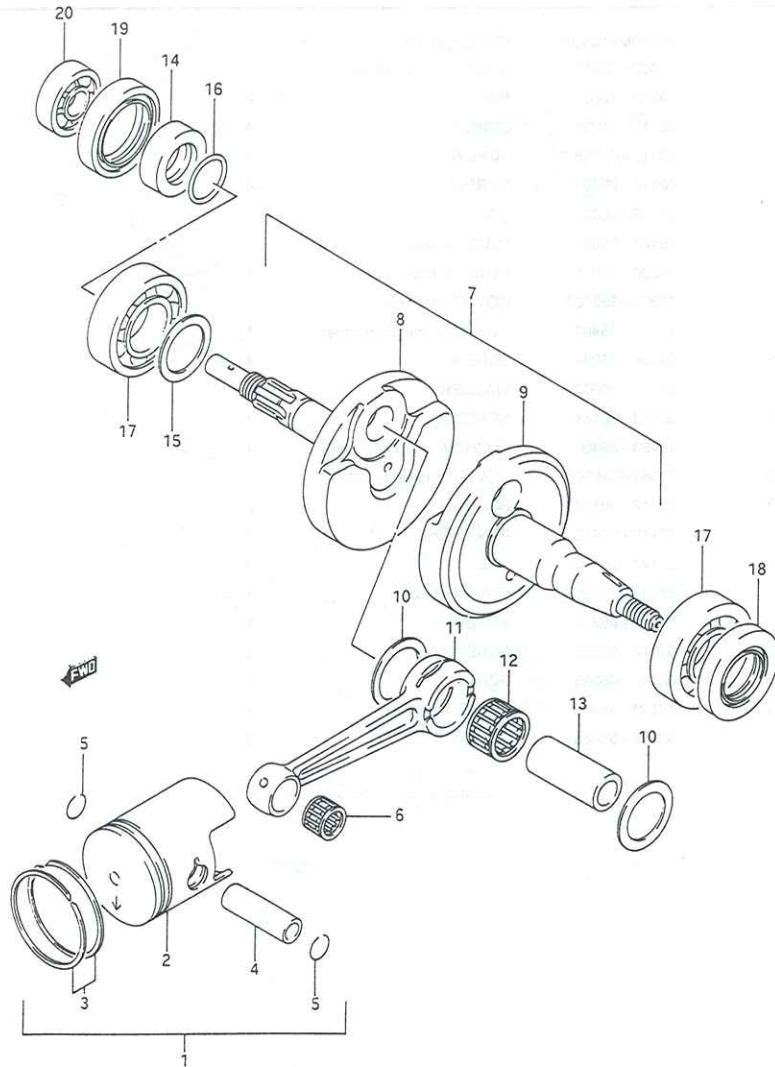


FIG. 3 (B-5) CRANKCASE COVER

REF. NO.	PART NO.	DESCRIPTION	QTY	REMARKS
1	11340M31C10A	COVER, clutch	1	
2	11482 - 35410	GASKET, clutch cover	1	
3	09206 - 13001	PIN	2	
4	02112 - 06255	SCREW	4	
5	02112 - 06555	SCREW	1	
6	02112 - 06455	SCREW	4	
7	09168 - 06001	GASKET	1	
8	09128 - 06037	PLUG, oil level	1	
9	09200 - 20810	PLUG, oil filler	1	
10	11351M35510A	COVER, magneto	1	
11	11389 - 35402	CUSHION, magneto cover	1	
12	09136 - 06084	SCREW	4	
13	09161 - 09003	WASHER	4	
14	09180 - 06134	SPACER	4	
15	11483 - 35400	CUSHION, magneto cover	1	
16	11361M35510A	COVER, engine sprocket	1	
17	02112 - 06504	SCREW	2	
18	17110 - 35410	FAN, cooling	1	
19	01177 - 06168	BOLT	2	
20	17131M31C20A	COWLING, fan	1	
21	02112 - 06205	SCREW	1	
22	02112 - 06305	SCREW	2	
23	02112 - 06355	SCREW	1	
24	17133 - 35412	PLATE, fan cowling	1	
25	02152 - 05088	SCREW	3	

FIG.4

2

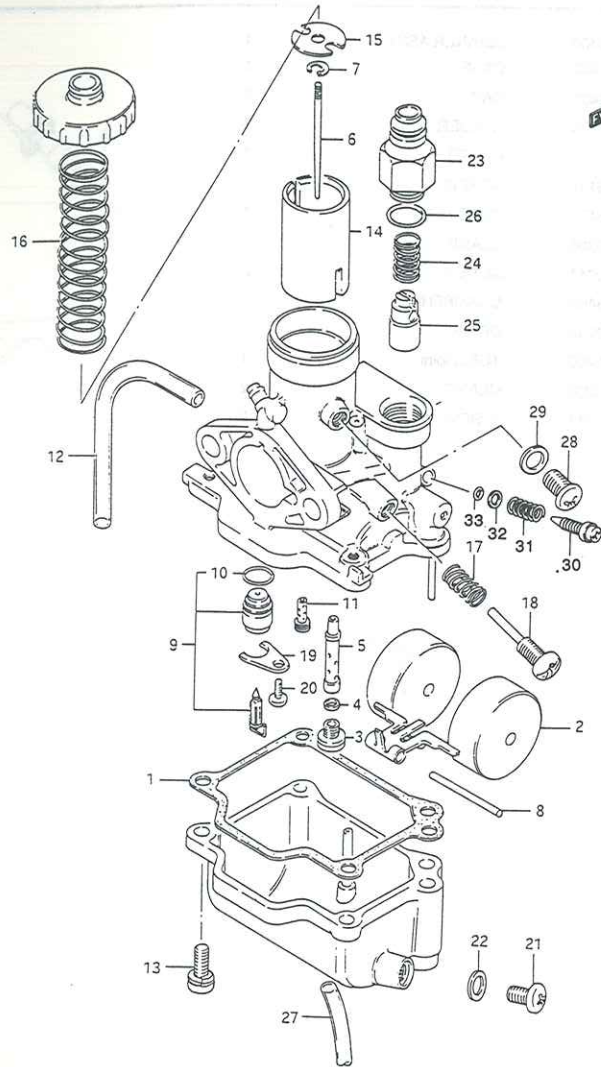


RR SPORT

FIG.4 (B-6) CRANKSHAFT (model k)

REF. NO.	PART NO.	DESCRIPTION	QTY	REMARKS
1-1	12100 - 31810	PISTON KIT (STD)	1	OPT
1-2	12100 - 31810 - 025	PISTON KIT (OS : 0.25)	1	OPT
1-3	12100 - 31810 - 050	PISTON KIT (OS : 0.5)	1	OPT
1-4	12100 - 31810 - 075	PISTON KIT (OS : 0.75)	1	OPT
1-5	12100 - 31810 - 100	PISTON KIT (OS : 1.0)	1	OPT
2-1	12110 - 31C00 - OFO	.PISTON (STD)	1	
2-2	12110 - 31C00 - 025	.PISTON (OS : 0.25)	1	OPT
2-3	12110 - 31C00 - 050	.PISTON (OS : 0.5)	1	OPT
2-4	12110 - 31C00 - 075	.PISTON (OS : 0.75)	1	OPT
2-5	12110 - 31C00 - 100	.PISTON (OS : 1.0)	1	OPT
3-1	12140 - 31C10	.RING SET, piston (STD)	1	
3-2	12140 - 31C10 - 025	.RING SET, piston (OS : 0.25)	1	OPT
3-3	12140 - 31C10 - 050	.RING SET, piston (OS : 0.50)	1	OPT
3-4	12140 - 31C10 - 075	.RING SET, piston (OS : 0.75)	1	OPT
3-5	12140 - 31C10 - 100	.RING SET, piston (OS : 1.0)	1	OPT
4	12151 - 31C00	.PIN, piston	1	
5	09381 - 12001	.CIRCLIP	2	
6	09263 - 12023	BEARING, piston pin	1	
7	12200 - 31C00	CRANKSHAFT ASSY	1	
8	12221 - 31C00	.CRANKSHAFT, RH	1	
9	12261 - 31C00 - OAO	.CRANKSHAFT, LH	1	
10	09160 - 20010	.WASHER	2	
11	12161 - 35500	.ROD, connecting	1	
12	09263 - 20052	.BEARING	1	
13	12211 - 35401	.PIN, crank	1	
14	12359 - 35500	SPACER, RH	1	
15-1	09181 - 25051	SHIM (T:0.60)	1	
15-2	09181 - 25052	SHIM (T:0.65)	1	
15-3	09181 - 25053	SHIM (T:0.70)	1	
15-4	09181 - 25054	SHIM (T:0.75)	1	
15-5	09181 - 25055	SHIM (T:0.80)	1	
15-6	09181 - 25056	SHIM (T:0.85)	1	
15-7	09181 - 25057	SHIM (T:0.90)	1	
15-8	09181 - 25058	SHIM (T:0.95)	1	
15-9	09181 - 25059	SHIM (T:1.00)	1	
15-10	09181 - 25060	SHIM (T:1.05)	1	
15-11	09181 - 25061	SHIM (T:1.10)	1	
15-12	09181 - 25062	SHIM (T:1.15)	1	
15-13	09181 - 25063	SHIM (T:1.20)	1	
15-14	09181 - 25064	SHIM (T:1.25)	1	
15-15	09181 - 25065	SHIM (T:1.30)	1	
16	09280 - 20004	O RING	1	
17	09262 - 25070 - OAO	BEARING, LH/MDL (25x52x15)	2	
18	09283 - 25066	OIL SEAL, LH (25x44x7)	1	
19	09289 - 32003	OIL SEAL, RH (32x52x8.4)	1	
20	08143 - 62017	BEARING, RH (12x32x10)	1	
21	12105 - 35840	ROD KIT, connecting	1	NOT SHOWN included Ref. No. 6, 10, 11, 12 and 13

FIG.5



RR SPORT

FIG. 5 (B-10) CARBURETOR

REF. NO.	PART NO.	DESCRIPTION	QTY	REMARKS
	13200 - 31C70	CARBURETOR ASSY	1	model P
1	13251 - 35400	.GASKET	1	
2	13250 - 35400	.FLOAT	1	
3	09491 - 92004	.JET, main (92.5)	1	model P
4	13386 - 04700	.GASKET	1	
5	09494 - 00431	.JET, needle (E-8)	1	model P
6	13383 - 31C01	.NEEDLE, jet (3R7-3)	1	
7	13394 - 12110	.E RING	1	
8	13254 - 20010	.PIN, float	1	
9	13370 - 03A40	.VALVE ASSY, needle	1	
10	13374 - 46710	.O RING	1	
11	09492 - 17006	.JET, pilot (17.5)	1	
12	13683 - 37420	.HOSE, air vent (3.5x6.5x500)	1	L:500 140
13	13601 - 04148	.SCREW	4	
14	13551 - 31C00	.VALVE, piston (CA:2.0)	1	
15	13581 - 36212	.PLATE	1	
16	13573 - 35400	.SPRING	1	
17	13268 - 43200	.SPRING	1	
18	13267 - 43200	.SCREW, stop	1	
19	13373 - 46710	.PLATE	1	
20	13602 - 03068	.SCREW	1	
21	13247 - 43200	.PLUG, drain	1	
22	13249 - 43200	.GASKET	1	
23	13418 - 43200	.HOLDER, guide	1	
24	13417 - 01010	.SPRING	1	
25	13411 - 01010	.PLUNGER	1	
26	13278 - 02330	.O RING	1	
27	13683 - 35430	.HOSE, over flow (2.5x5x250)	1	
28	02112 - 05066	.SCREW	1	
29	13523 - 46110	.GASKET	1	
30	13267 - 09C80	.SCREW	1	model P
31	13268 - 92910	.SPRING	1	model P
32	13606 - 47A00	.WASHER	1	model P
33	13295 - 29900	.O RING	1	model P

2

FIG.6

2

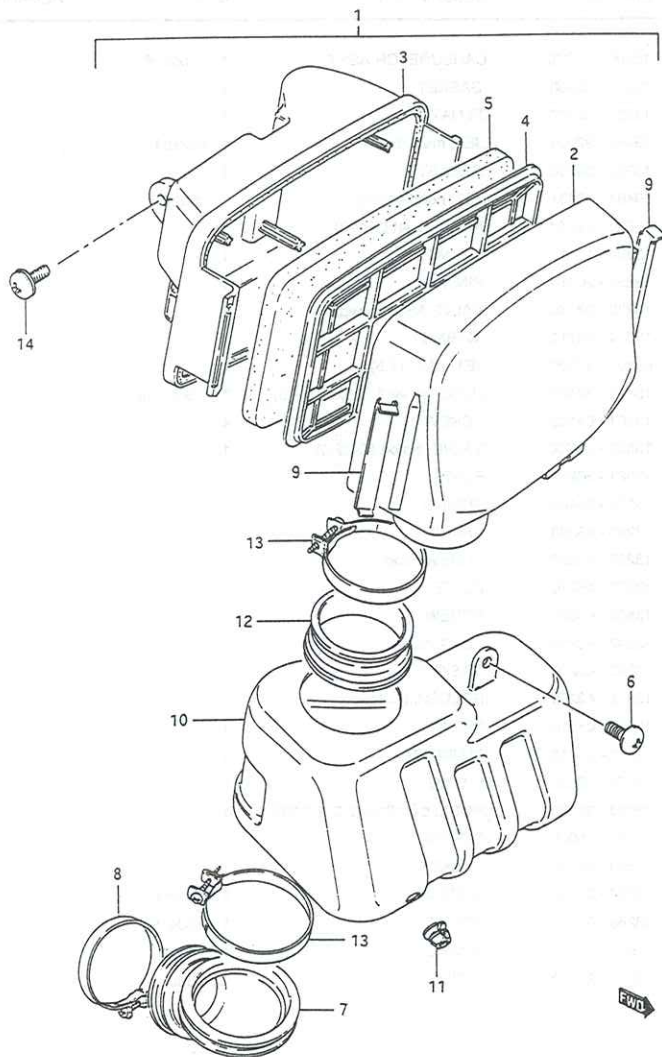


FIG.6 (B-8) AIR CLEANER

REF. NO.	PART NO.	DESCRIPTION	QTY	REMARKS
1	13700 - 35403	CLEANER ASSY, air	1	
2	13720M35402	.CASE	1	
3	13740M35401	.CAP	1	
4	13791M35400	.HOLDER	1	
5	13781M35400	.FILTER	1	
6	02142 - 06127	.SCREW	1	
7	13881M35401	.TUBE, outlet	1	
8	09402 - 40305	.CLAMP	1	
9	13821 - 00011	.SLIDER	2	
10	13711M35403	.CHAMBER	1	
11	13860 - 00010	.DRAIN	1	
12	13739 - 35400	.TUBE, joint	1	
13	09402 - 48208	.CLAMP	2	
14	09136 - 06017	SCREW	2	

RR SPORT

FIG.7

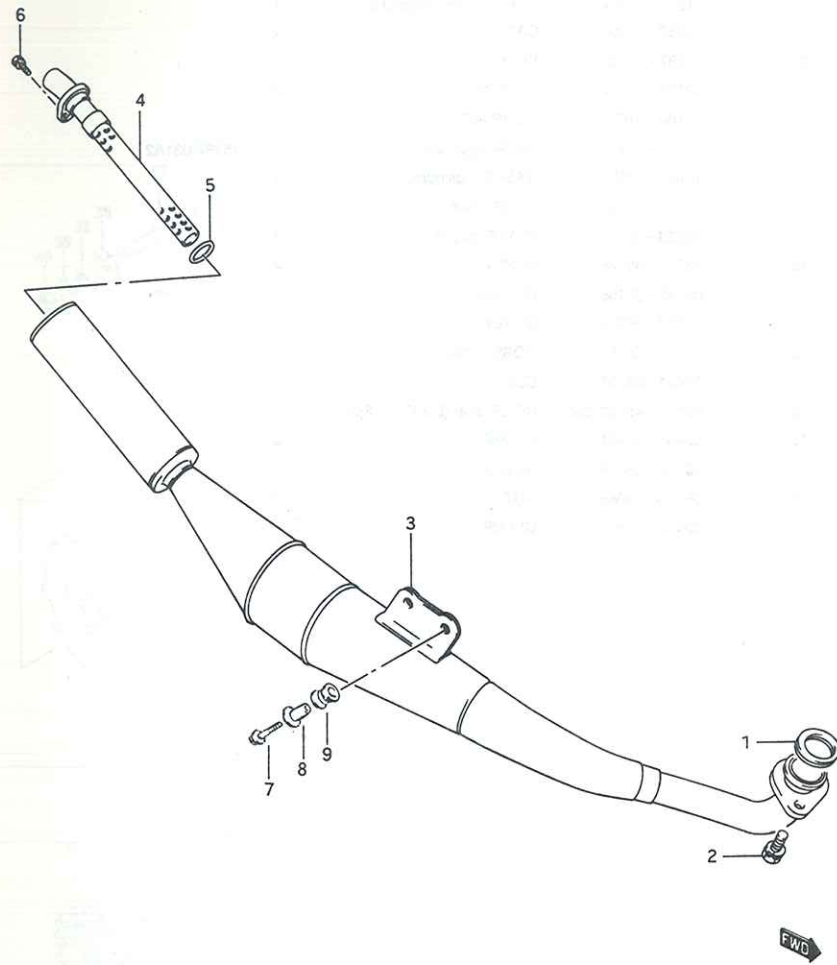
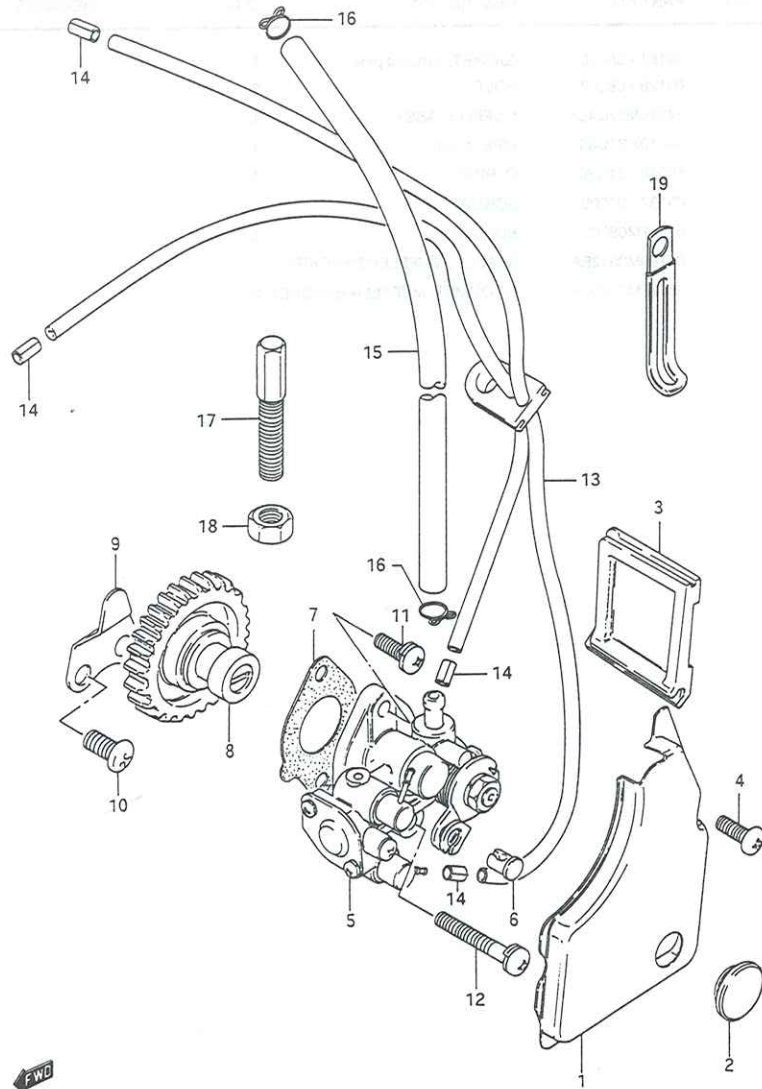


FIG.7 (B-9) MUFFLER

REF. NO.	PART NO.	DESCRIPTION	Q'TY	REMARKS
1	14181 - 35410	GASKET, exhaust pipe	1	
2	09128 - 08002	BOLT	2	
3	14310M31C40A	MUFFLER ASSY	1	
4	14510M31C30	PIPE, baffle	1	
5	14518 - 31C30	O RING	1	
6	09137 - 05009	SCREW	1	
7	01177M08305	BOLT	2	
8	09180M09128A	SPACER, MUFFLER BRACKET	2	
9	45522M11200A	GROMMET, MUFFLER BRACKET 2	2	

2

FIG.8



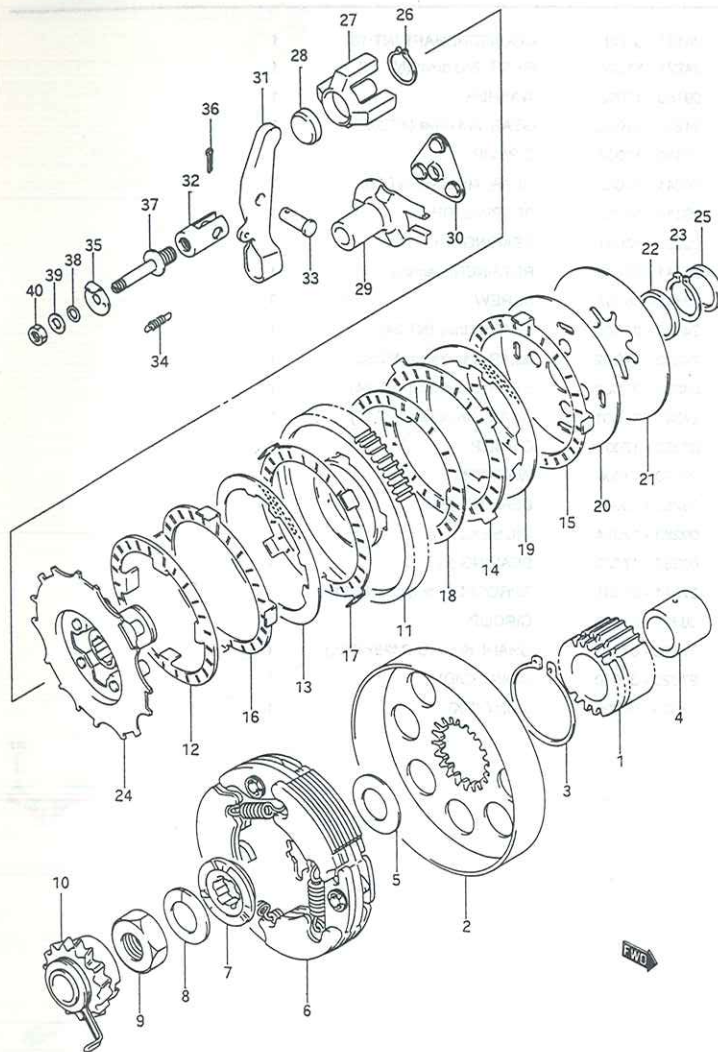
2

FWG
RR SPORT

FIG.8 (B-10) OIL PUMP

REF. NO.	PART NO.	DESCRIPTION	QTY	REMARKS
1	11385 - 35404	CAP, oil pump inspection	1	
2	09250 - 12009	CAP	1	
3	11387 - 35401	SEAL	1	
4	02112 - 05107	SCREW	2	
5	16100 - 31C11	PUMP ASSY, oil	1	
6	16292 - 03112	TERMINAL, cable	1	16292-031A2
7	16731M03101	GASKET, oil pump	1	
8	16320 - 31C00	GEAR, drive	1	
9	16329 - 35402	PLATE, stoper	1	
10	02112 - 06128	SCREW	2	
11	02112 - 35168	SCREW	1	
12	02112 - 35308	SCREW	1	
13	16820 - 35403	HOSE, outlet	1	
14	09401 - 04401	CLIP	4	
15	09352 - 45853-300	HOSE, inlet (L:300 260)	1	
16	09401 - 08401	CLAMP	2	
17	09119 - 08014	ADJUSTER	1	
18	08310 - 11088	NUT	1	
19	09404 - 06402	CLAMP	1	

FIG.9



RR SPORT

FIG.9 (C-3) CLUTCH

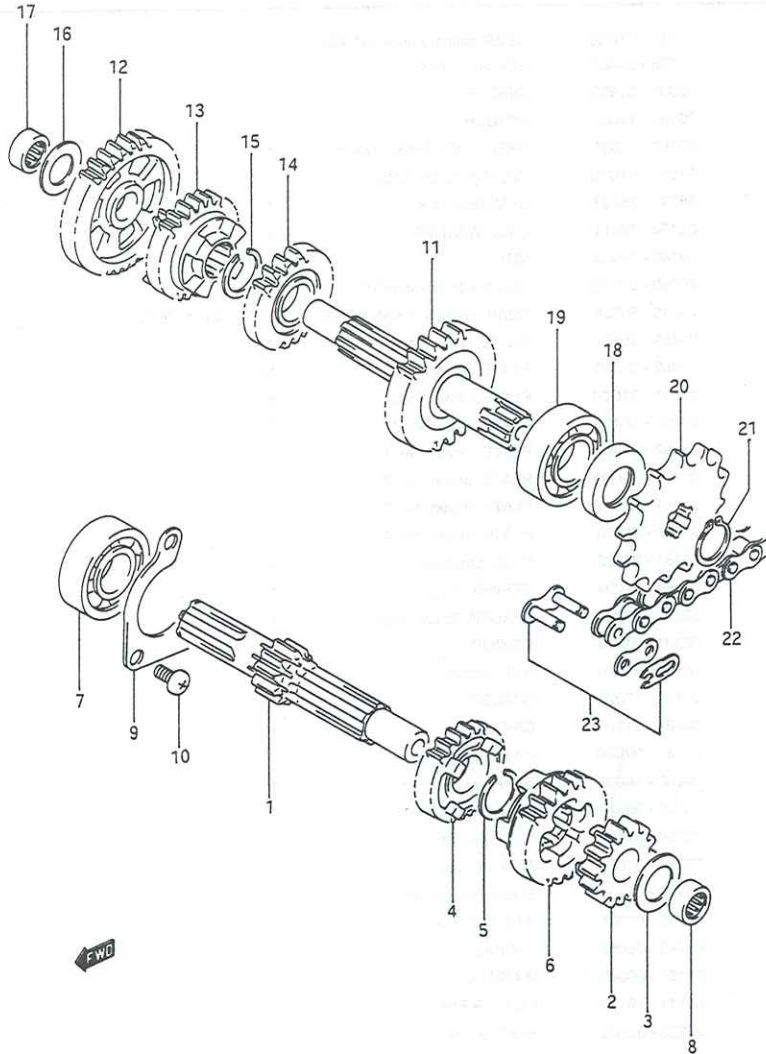
REF. NO.	PART NO.	DESCRIPTION	Q'TY	REMARKS
1	21111 - 31C00	GEAR, primary drive (NT:20)	1	
2	21112 - 35402	HOUSING, clutch	1	
3	08331 - 31383	CIRCLIP	1	
4	09180 - 19009	SPACER	1	
5	09160 - 17032	THRUST WASHER (17x45x2)	1	
6	21501 - 31C10	CLUTCH ASSY, shoe	1	
7	26231 - 35403	STARTER, kick	1	
8	09164 - 14011	LOCK WASHER	1	
9	09140 - 14022	NUT	1	
10	26280 - 31C00	GEAR, kick driven (NT:17)	1	
11	21210 - 35504	GEAR, primary driven (NT:65)	1	21210 35503
12	21451 - 35501	PLATE, drive, No. 1	1	
13	21452 - 35500	PLATE, drive, No. 2	1	
14	21441 - 31C00	PLATE, drive, No. 3	1	
15	21452 - 35401	PLATE, drive, No. 4	1	
16	21452 - 35401	PLATE, driven, No. 1	1	
17	21451 - 31C00	PLATE, driven, No. 2	1	
18	21451 - 35501	PLATE, driven, No. 3	1	
19	21452 - 35500	PLATE, driven, No. 4	1	
20	21461 - 35402	Pcate, pressure	1	
21	09164 - 22004	SPRING	1	
22	09180 - 22045	SPACER (22x28x3.5)	1	
23	08331 - 31216	CIRCLIP	1	
24	21410 - 31C01	HUB, sleeve	1	
25	09180 - 17076	SPACER	1	
26	08331 - 31176	CIRCLIP	1	
27	23121 - 09D00	PIECE, push	1	
28	09266 - 16002	BEARING	1	
29	23230 - 35510	BALL GUIDE, outer	1	
30	23250 - 35401	BALL, release	1	
31	23221 - 31C00	ARM, release	1	
32	23222 - 09400	BOSS, release arm	1	
33	09200 - 07005	PIN, release arm	1	
34	09443 - 06053	SPRING	1	
35	09169 - 06046	WASHER	1	
36	04111 - 16158	COTTER PIN	1	
37	23223 - 35500	BOLT, adjust	1	
38	09280 - 06005	O RING	1	
39	09160 - 06098	WASHER (6.5x13x2.3)	1	
40	09140 - 06023	NUT	1	

2

FIG.10

FIG.10(C-4) TRANSMISSION

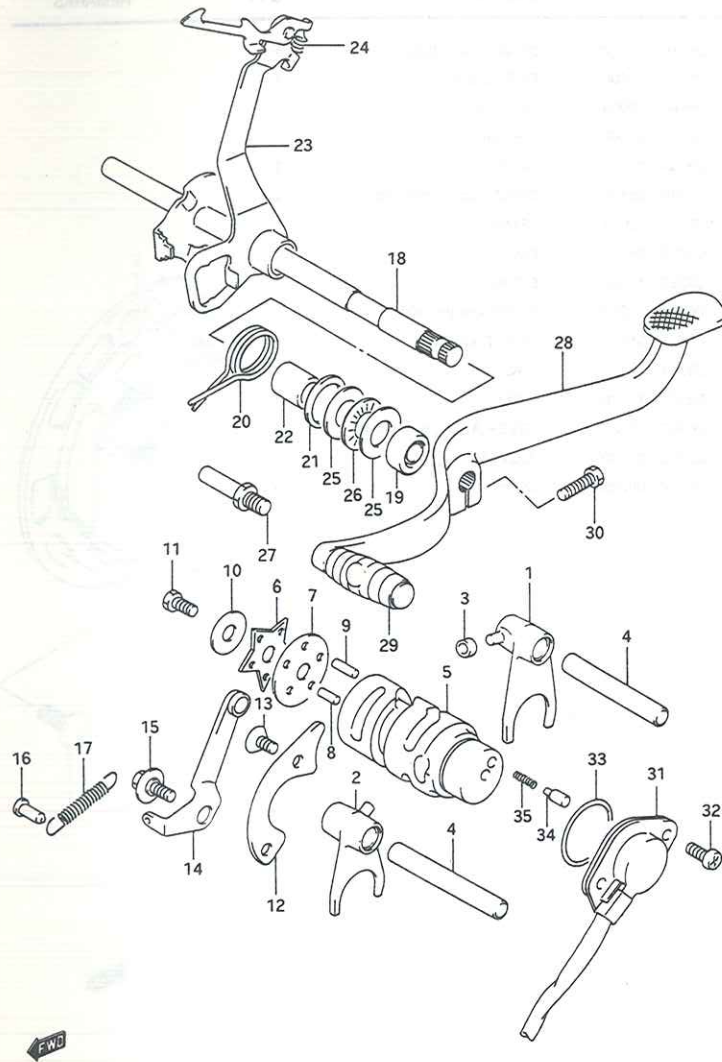
2



REF. NO.	PART NO.	DESCRIPTION	QTY	REMARKS
1	24121 - 31C01	COUNTERSHAFT (NT:10)	1	
2	24221 - 31C01	GEAR, 2nd drive (NT:14)	1	
3	09160 - 13006	WASHER	1	
4	24231 - 31C00	GEAR, 3rd drive (NT:20)	1	
5	09380 - 17007	CIRCLIP	1	
6	24241 - 31C02	GEAR, 4th drive (NT:20)	1	
7	08110 - 62030	BEARING, RH	1	
8	09263 - 13001	BEARING, LH	1	
9	24741 - 35400	RETAINER, bearing	1	
10	02112 - 06107	SCREW	3	
11	24130 - 31C00	SHAFT, drive (NT:24)	1	
12	24310 - 31C02	GEAR, 1st driven (NT:33)	1	
13	24331 - 31C00	GEAR, 3rd driven (NT:24)	1	
14	24341 - 31C01	GEAR, 4th driven (NT:19)	1	
15	09380 - 17007	CIRCLIP	1	
16	09160 - 13006	WASHER	1	
17	09263 - 13001	BEARING (R)	1	
18	09283 - 17014	OIL SEAL	1	
19	09262 - 17023	BEARING (L)	1	
20	27511 - 27401	SPROCKET, engine (NT:14)	1	
21	08331 - 31166	CIRCLIP	1	
22	27600 - 07612	CHAIN, drive (DID428x102L)	1	
23-1	27620 - 20910	JOINT (DID)	1	
23-2	27620 - 05220	JOINT (RK)	1	

RR SPORT

FIG.11



FWD

RR SPORT

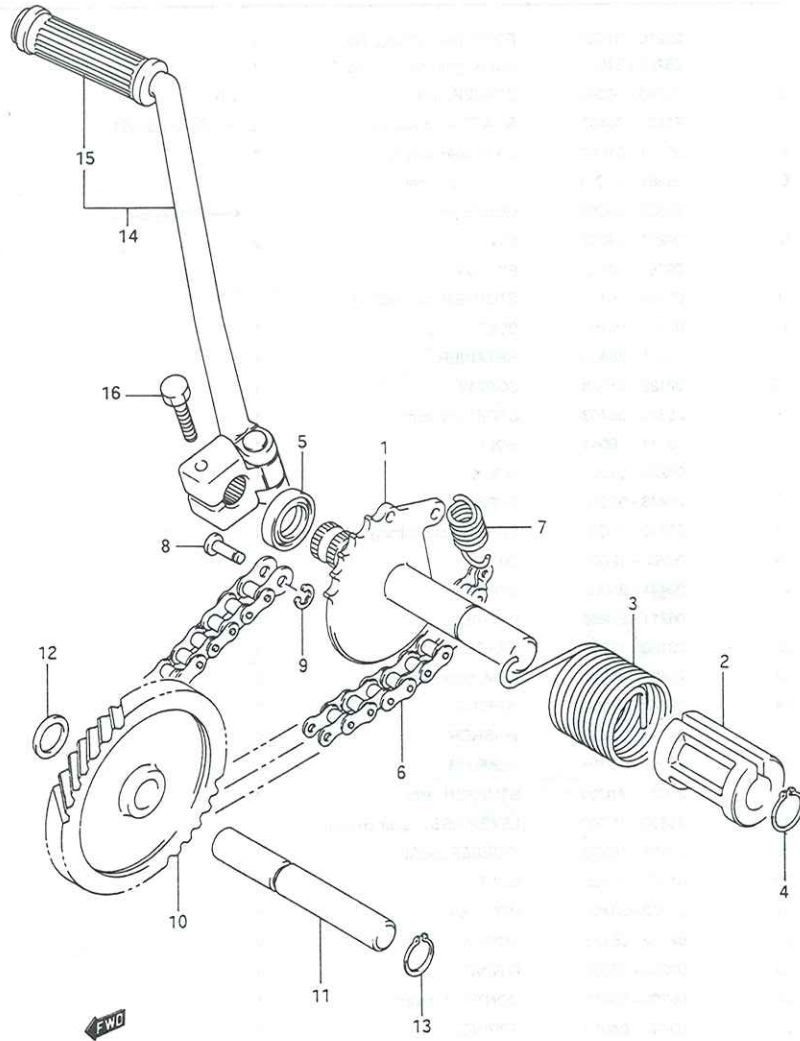
FIG.11 (C-5) GEAR SHIFTING

REF. NO.	PART NO.	DESCRIPTION	QTY	REMARKS
1	25210 - 31C01	FORK, gear shifting, No. 1	1	
2	25220 - 31C01	FORK, gear shifting, No. 2	1	
3	09180 - 06086	SPACER, fork No. 1	1 L:6	
4	25421 - 35402	SHAFT, gear shifting	2 ← 25421 35401	
5	25311 - 31C00	CAM, gear shifting	1	
6	25381 - 31C01	PLATE, stopper	1	
7	25382 - 09D00	GUIDE, pin	1 ← 25382-35411	
8	09261 - 04002	PIN	2	
9	09261 - 04012	PIN (4x11.2)	2	
10	09160 - 06111	STOPPER, pin (6x21x1)	1	
11	01107 - 06167	BOLT	1	
12	25341 - 35400	RETAINER	1	
13	02122 - 06128	SCREW	1	
14	25350 - 35403	STOPPER, cam	1	
15	09111 - 06041	BOLT	1	
16	09223 - 04001	HOOK	1	
17	09443 - 07026	SPRING	1	
18	25510 - 31C02	SHAFT, gear shifting	1	
19	09285 - 12002	OIL SEAL	1	
20	09444 - 25002	SPRING	1	
21	08211 - 20264	WASHER	1	
22	09180 - 12036	SPACER	1	
23	25520 - 31C00	ARM, gear shifting	1	
24	09443 - 08050	.SPRING	1	
25	08211 - 12262	WASHER	2	
26	09263 - 12019	BEARING	1	
27	25671 - 31C00	STOPPER, arm	1	
28	25600 - 31C00	LEVER ASSY, gear shifting	1	
29	25652 - 16500	.RUBBER, pedal	1	
30	01107 - 06205	BOLT	1	
31	37720 - 35400	BODY, switch	1	
32	02112 - 05128	SCREW	2	
33	09280 - 26003	O RING	1	
34	09209 - 05011	CONTACT, switch	1	
35	09440 - 04010	SPRING	1	

FIG.12

FIG.12 (C-7) KICK STARTER

2



REF. NO.	PART NO.	DESCRIPTION	Q'TY	REMARKS
1	26210 - 31C00	SHAFT, kick starter	1	
2	26221 - 35400	GUIDE, spring	1	
3	09448 - 39004	SPRING	1	
4	08331 - 31146	CIRCLIP	1	
5	09285 - 14001	OIL SEAL	1	
6	26240 - 35401	CHAIN, kick starter drive	1	
7	09443 - 13011	SPRING	1	
8	09208 - 05005	PIN	1	
9	08332 - 11046	E RING	1	
10	26261 - 31C00	GEAR, idle (NT:33)	1	
11	26271 - 31C00	SHAFT, idle gear	1	
12	08211 - 12181	WASHER	1	
13	08331 - 31126	CIRCLIP	1	
14	26300 - 31C10	LEVER ASSY, kick starter	1	
15	26352 - 01000	.COVER	1	
16	01107 - 06305	BOLT	1	

FWG

RR SPORT

FIG.13

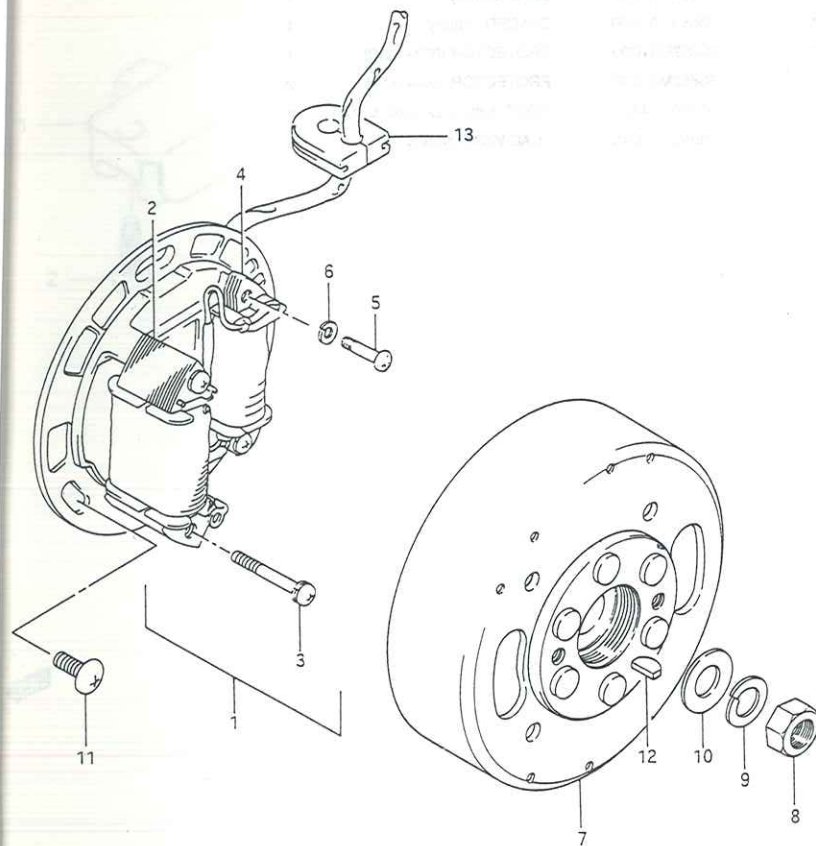


FIG.13 (C-7) MAGNETO

REF. NO.	PART NO.	DESCRIPTION	QTY	REMARKS
1	32101 - 35421	STATOR ASSY	1	
2	32120 - 35420	.COIL, lighting	1	
3	32351 - 39210	.SCREW	2	
4	32140 - 35410	.COIL, primary	1	
5	02112 - 04167	.SCREW	2	
6	08321 - 21047	.LOCK WASHER	2	
7	32102 - 35410	ROTOR	1	
8	09140 - 10003	NUT	1	
9	08321 - 21107	LOCK WASHER	1	
10	08322 - 21108	WASHER	1	
11	02142 - 05128	SCREW	3	
12	08341 - 31039	KEY	1	
13	32372 - 35400	GROMMET	1	

2

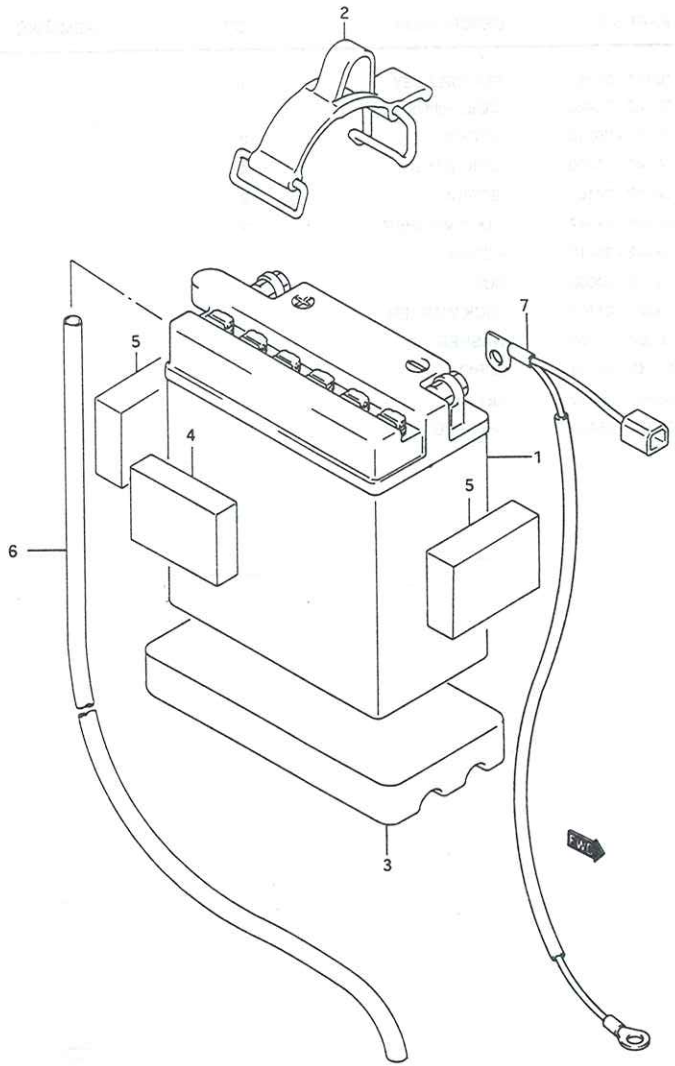
RR SPORT

FIG.14

FIG.14 (D-3) BATTERY

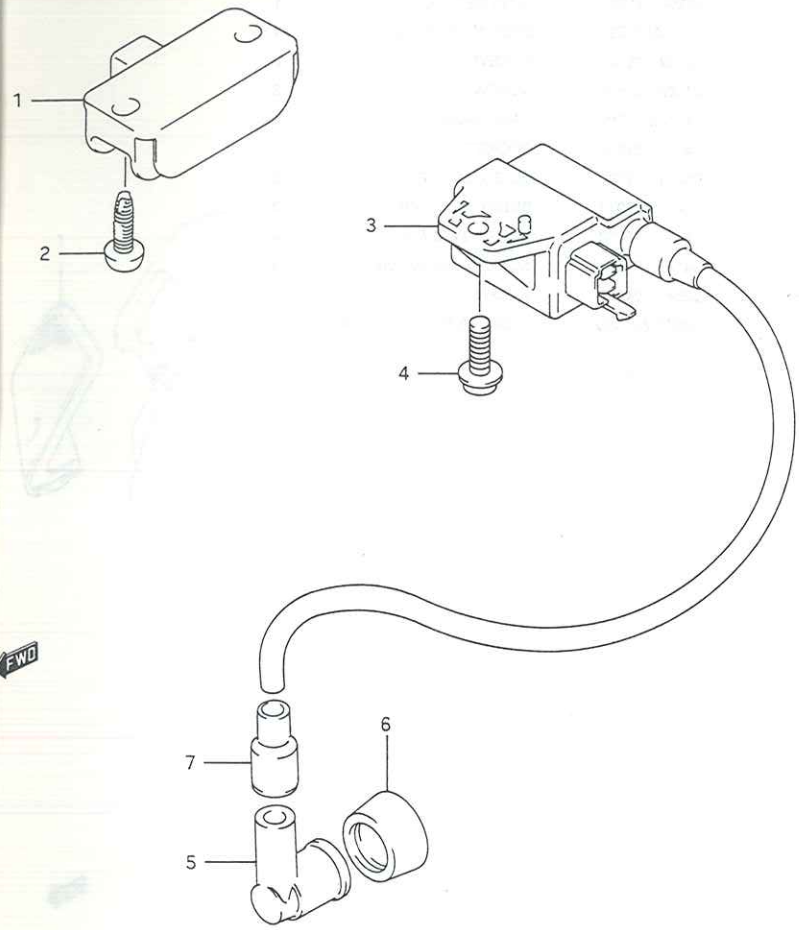
REF.NO	PART NO.	DESCRIPTION	Q'TY	REMARKS
1	33610M31C10	BATTERY (12V, 3AH) YB3L-B	1	
2	33651M31C00	BAND, battery	1	
3	33653 - 31C00	SPACER, battery	1	
4	33652M31C00	PROTECTOR (30X40x10)	1	
5	33652M31C10	PROTECTOR (30x40x14)	2	
6	33680 - 14A00	HOSE, battery exhaust (L:700)	1	
7	33860 - 31C10	LEAD WIRE, battery (-)	1	

3



RR SPORT

FIG.15



RR SPORT

FIG.15 (C-9) ELECTRICAL

REF. NO.	PART NO.	DESCRIPTION	QTY	REMARKS
1	32800 - 35421	RECTIFIER ASSY, regulator	1	
2	09129 - 06003	SCREW	2	
3	33410 - 35450	UNIT & COIL ASSY, ignition	1	
4r	02112 - 16166	SCREW	1	
5	33510 - 35410	CAP, spark plug	1	
6	33541 - 69010	SEAL, plug	1	
7	33542 - 35410	SEAL, high tension cord	1	

FIG.16

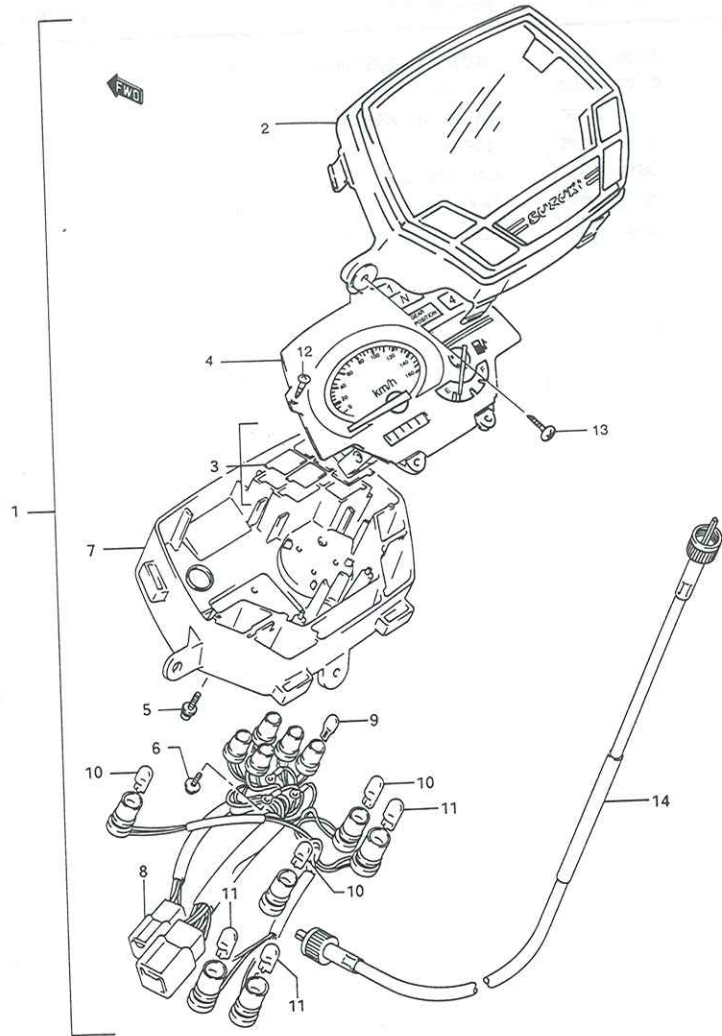


FIG.16 (D-10) SPEEDOMETER

REF.NO.	PART NO.	DESCRIPTION	QTY	REMARKS
1	34100M31C20A	SPEEDOMETER ASSY	1	
2	34112M31C00	.HOOD, meter	1	
3	36300 - 31831	.LENS SET, pilot	1	
4	34120M31C20	.SPEEDOMETER (Kilo)	1	
5	02112 - 73106	.SCREW	2	
6	34182 - 12B00	.SCREW	3	
7	34111M31C00	.CASE, meter	1	
8	34170 - 31C00	.SOCKET, meter	1	
9	09471 - 12100	.BULB (12V, 1.7W)	5	
10	09471 - 12077	.BULB (12V, 1.7W)	3	
11	09471 - 12082	.BULB (12V, 3.4W)	3	
12	34148 - 31C00	.SCREW, speedometer	2	
13	03541 - 04165	SCREW	3	
14	34910M31C00	CABLE ASSY, speedometer	1	

3

FIG.17

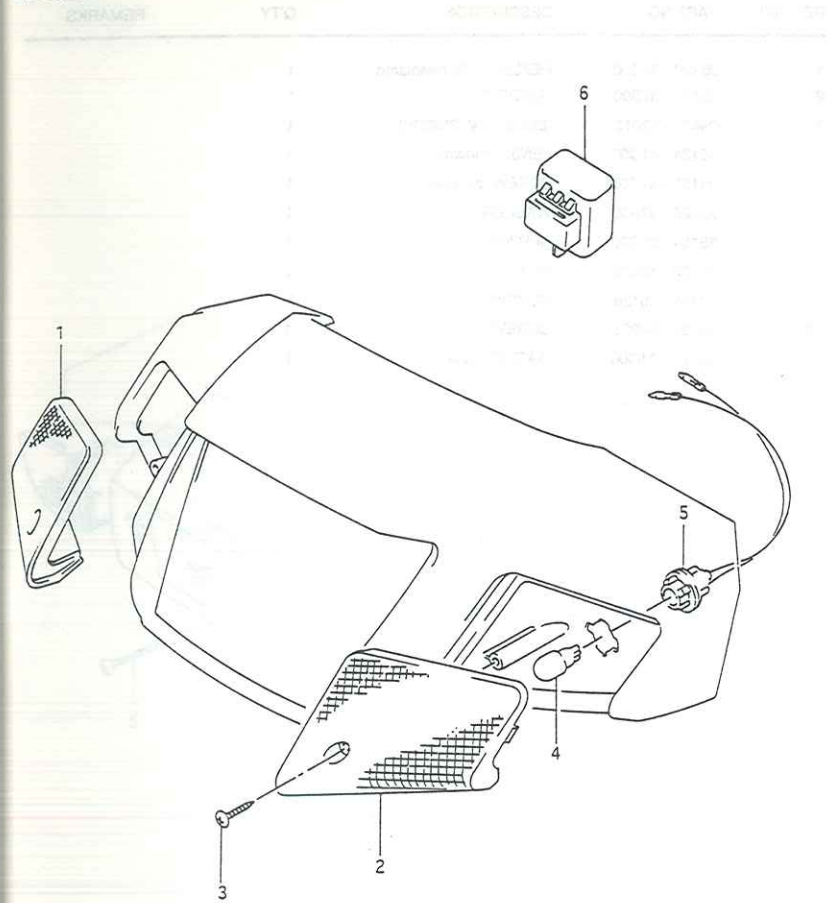


FIG.17 (C-12) FRONT TURN SIGNAL LAMP

REF. NO.	PART NO.	DESCRIPTION	QTY	REMARKS
1	35612M31C10	LENS, front turnsignal lamp RH	1	
3	35632M31C10	LENS, front turnsignal lamp LH	2	
3	03511 - 04166	SCREW	2	
4	09471 - 12114	BULB (12V, 10W)	2	
5	35618 - 37B00	SOCKET, front turnsignal	2	
6	38610 - 09410	RELAY ASSY, turnsignal/buzzer	1	

3

FIG.18

3

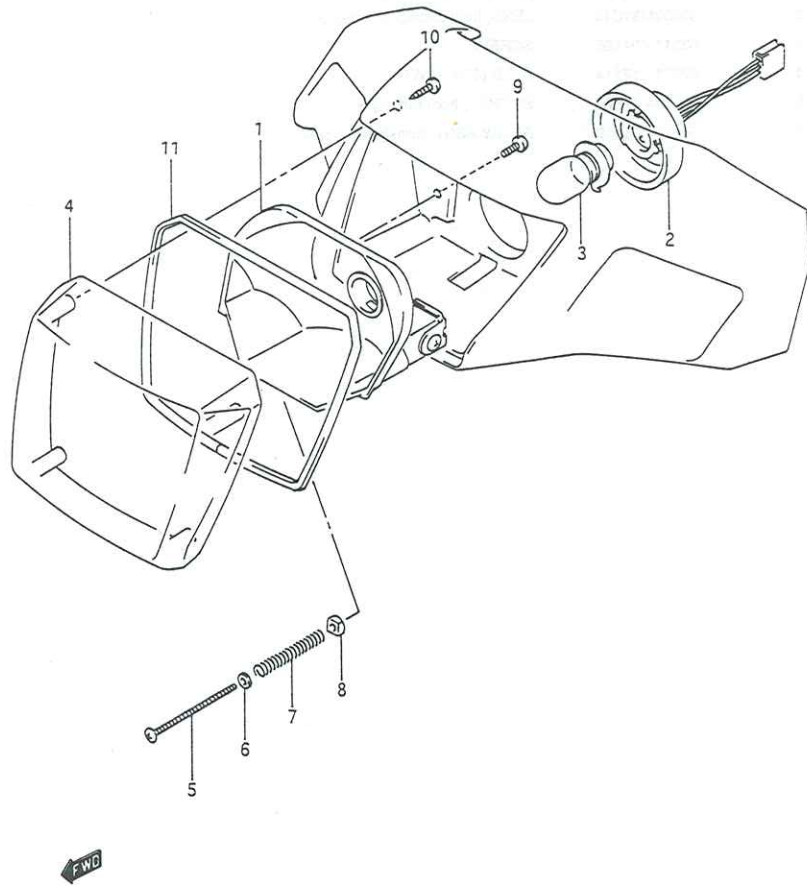


FIG.18 (C-11) HEADLAMP

REF. NO.	PART NO.	DESCRIPTION	Q'TY	REMARKS
1	35120 - 31C00	REFLECTOR, headlamp	1	
2	35171 - 37B00	.SOCKET	1	
3	09471 - 12013	.BULB (12V, 25/25W)	1	
4	35124 - 31C00	LENS, headlamp	1	
5	35151 - 31C00	SCREW, adjuster	1	
6	35128 - 37B00	WASHER	1	
7	35154 - 31C00	SPRING	1	
8	35152 - 45600	NUT	1	
9	02112 - 05126	SCREW	2	
10	09132 - 04026	SCREW	4	
11	35125 - 31C00	GASKET, lens	1	

FIG.19

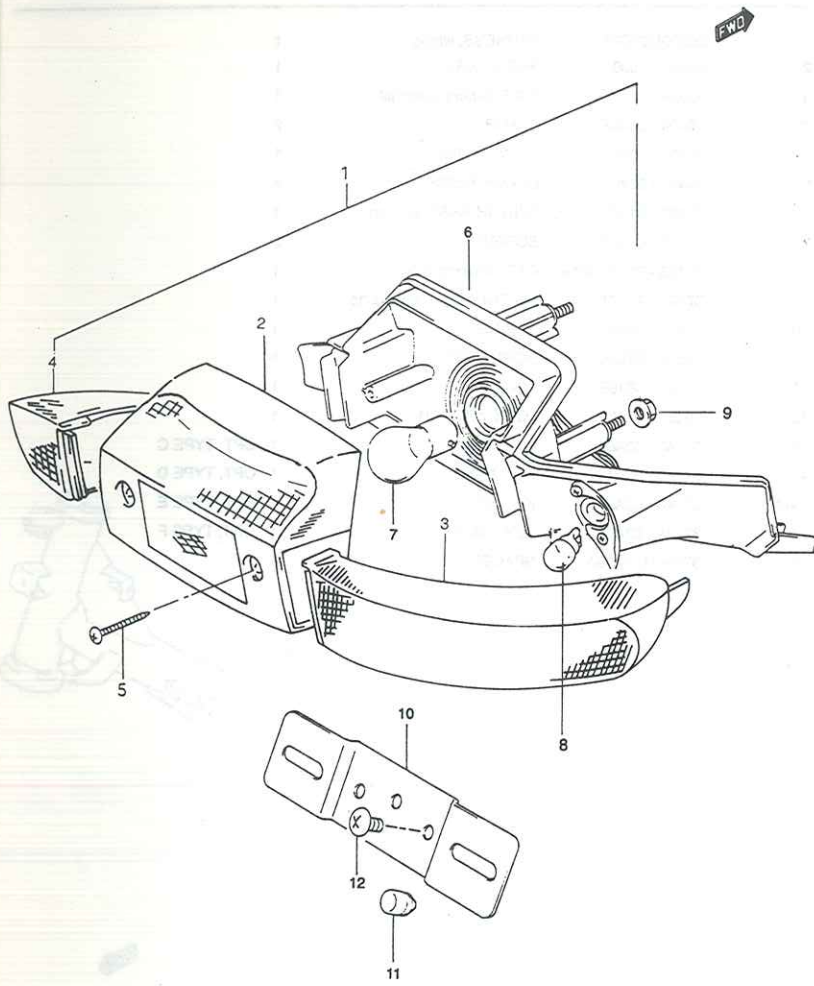
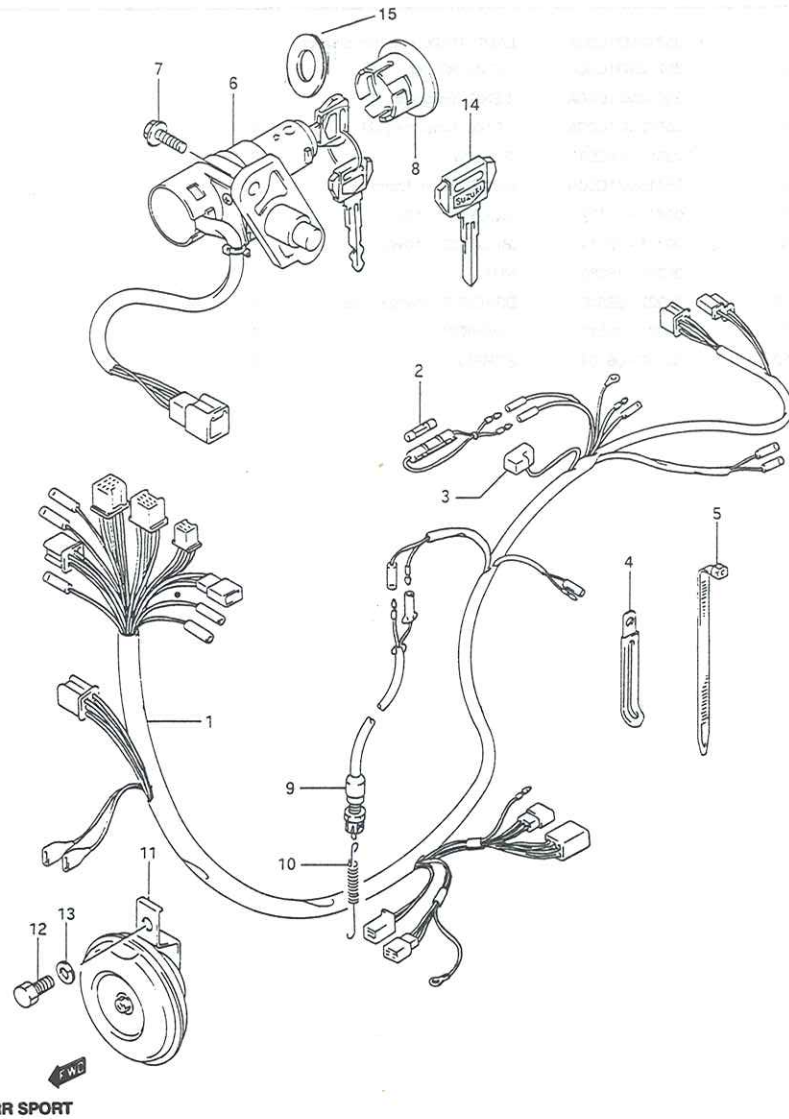


FIG.19 (C-13) REAR COMBINATION LAMP

REF. NO.	PART NO.	DESCRIPTION	QTY	REMARKS
1	35710M31C00A	LAMP ASSY, rear combination	1	
2	35712M31C00A	.LENS, tail/stop	1	
3	35652M31C00A	.LENS, turnsignal, RH	1	
4	35672M31C00A	.LENS, turnsignal, LH	1	
5	03512 - 04259	.SCREW	2	
6	35715M31C00A	HOUSING Rr. Lamp	1	
7	09471 - 12127	.BULB (12V, 18/5W)	1	
8	09471 - 12114	.BULB (12V, 10W)	2	
9	08316 - 16066	NUT	3	
10	35927 - 36510	BRACKET, license plate	1	
11	09321 - 06013	CUSHION	1	
12	02142 - 06104	SCREW	2	

3

FIG.20

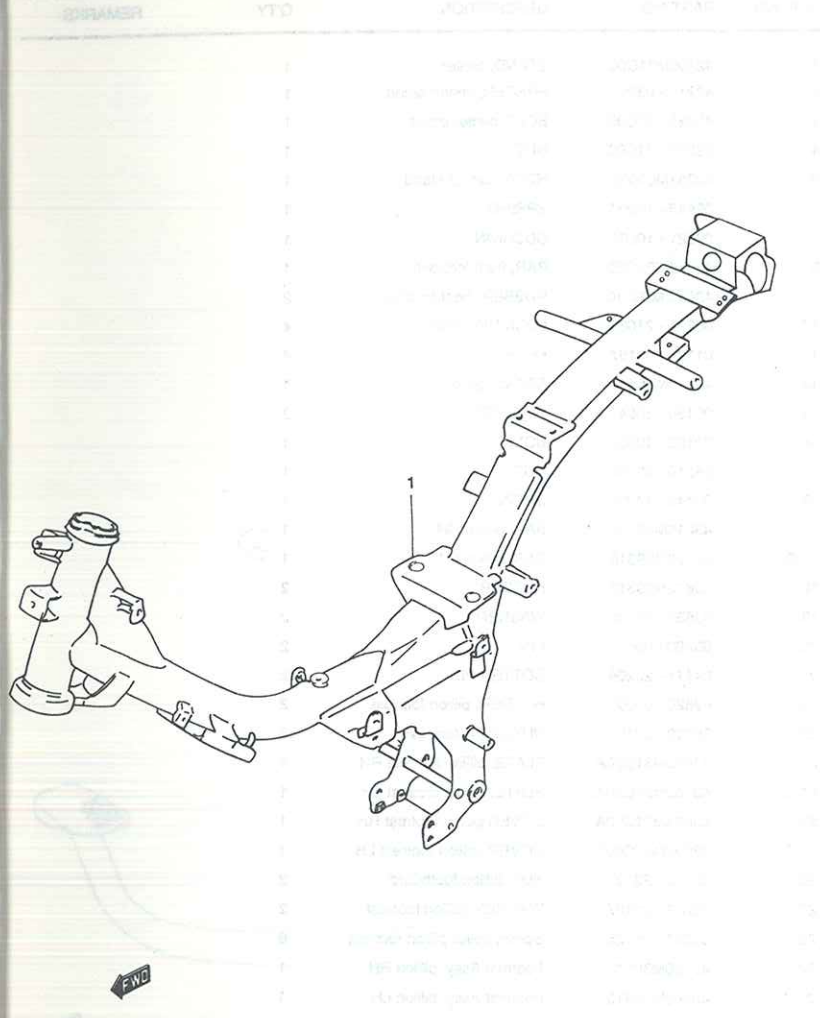


13

FIG.20 (C-14) WIRING HARNESS

REF. NO.	PART NO.	DESCRIPTION	QTY	REMARKS
1	36610M31C01	HARNESS, wiring	1	
2	09481 - 10001	.FUSE (10A)	1	
3	33624 - 31C10	.CAP, battery terminal	1	
4	09404 - 06402	CLAMP	2	
5-1	09407 - 18402	CLAMP (L:95)	1	
5-2	09407 - 25401	CLAMP: (L:235)	4	
6	37100 - 31C00	SWITCH ASSY, ignition	1	
7	01517 - 06166	SCREW	2	
8	37155 - 31C00A019	CAP, steering lock	1	
9	37740 - 48071	SWITCH ASSY, stop lamp	1	
10	09443 - 06032	SPRING	1	
11	38500 - 31C00	HORN ASSY	1	
12	01107 - 08166	BOLT	1	
13	08321 - 21086	LOCK WASHER	1	
14-1	37146 - 03A00	KEY, blank	1	OPT, TYPE C
14-2	37146 - 03A10	KEY, blank	1	OPT, TYPE D
14-3	37146 - 03A20	KEY, blank	1	OPT, TYPE E
14-4	37146 - 03A30	KEY, blank	1	OPT, TYPE F
15	37155M31C99A	SPACER	1	

FIG.21

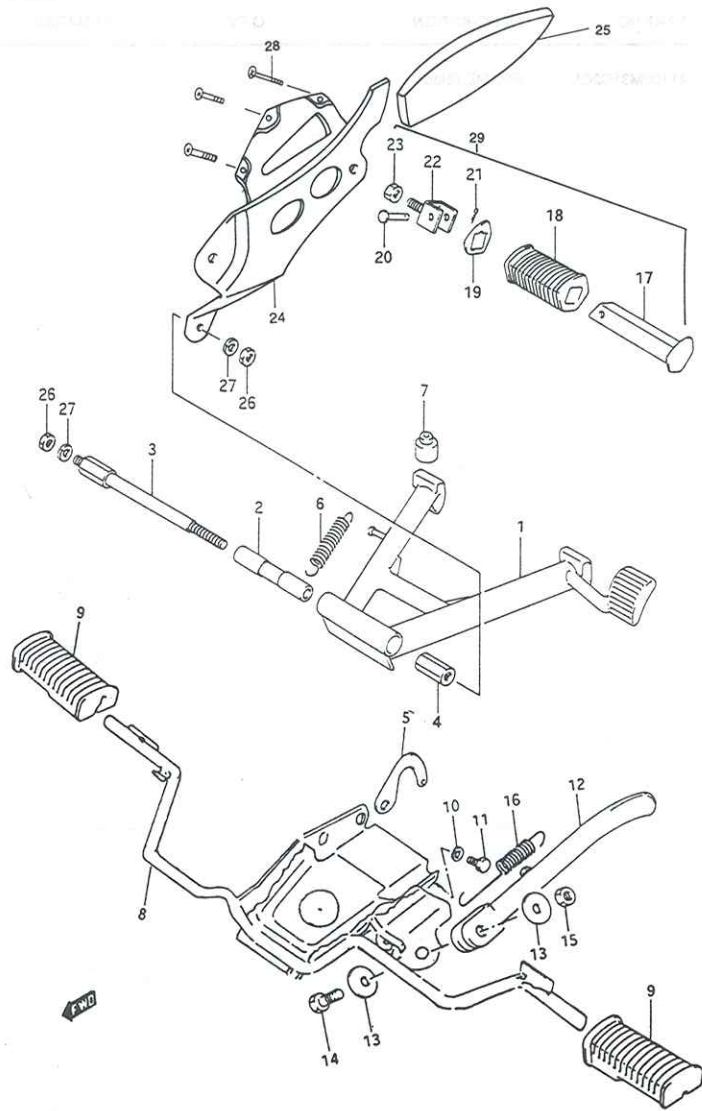


RR SPORT

FIG.21 (D-2) FRAME

REF. NO.	PART NO.	DESCRIPTION	QTY	REMARKS
1	41100M31C20A	FRAME (Black)	1	

FIG.22



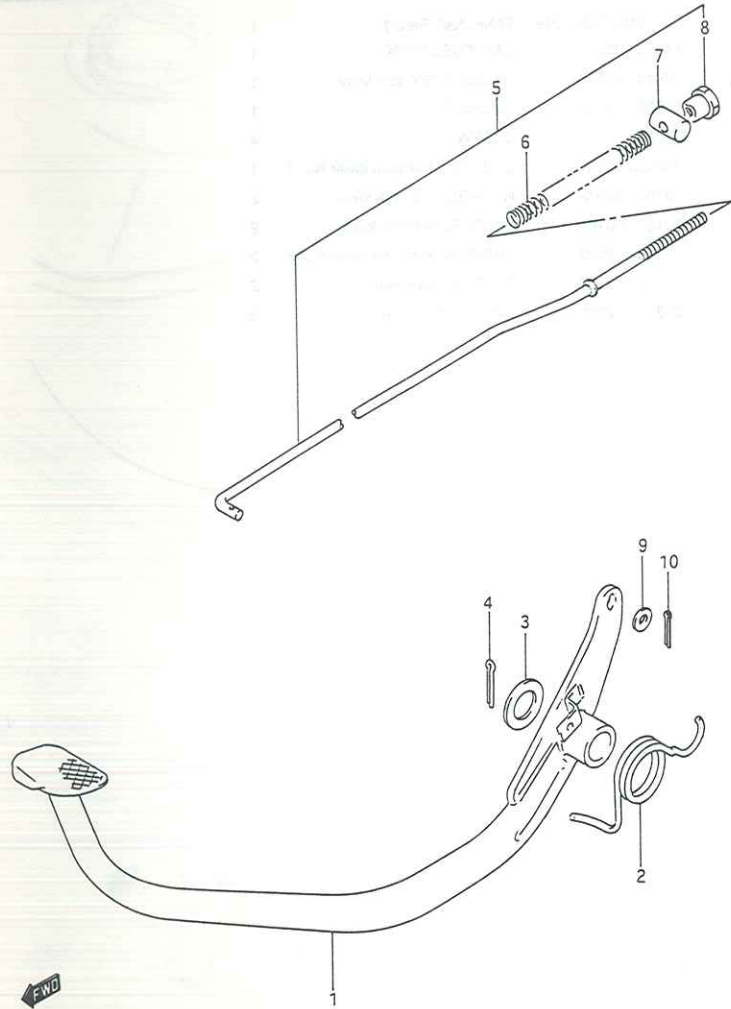
4

RR SPORT

FIG.22 (D-3)-STAND - FOOTREST

REF. NO.	PART NO.	DESCRIPTION	QTY	REMARKS
1	42100M31C00	STAND, center	1	
2	42211 - 03001	SPACER, center stand	1	
3	42221 - 31C00	BOLT, center stand	1	
4	42231 - 31C00	NUT	1	
5	42251M03003	HOOK, center stand	1	
6	09443 - 16007	SPRING	1	
7	09321 - 10001	CUSHION	1	
8	43510M31C20	BAR, front footrest	1	
9	43551 M39110	RUBBER, front footrest	2	
10	08321 - 21088	LOCK WASHER	4	
11	01107 - 08167	BOLT	4	
12	42310M35410	STAND, prop	1	
13	09160 - 10047	WASHER	2	
14	09100 - 10007	BOLT	1	
15	08310 - 22107	NUT	1	
16	09443 - 14022	SPRING	1	
17-1	43610M39310	BAR, pillion RH	1	
17-2	43620M39310	BAR, pillion LH	1	
18	43612M39310	RUBBER	2	
19	43631 - 39310	WASHER	2	
20	09200 - 06010	PIN	2	
21	04111 - 20208	COTTER PIN	2	
22	43620 - 03000	HOLDER, pillion footrest	2	
23	08310 - 22107	NUT, pillion footrest	2	
24-1	43660M31C20A	PLATE, pillion footrest RH	1	
24-2	43760M31C20A	PLATE, pillion footrest LH	1	
25-1	43681M31C00A	COVER pillion footrest RH	1	
25-2	43691M31C00A	COVER, pillion footrest LH	1	
26	08310 - 22107	NUT, pillion footboard	2	
27	08321 - 21107	WASHER, pillion footrest	2	
28	03241 - 05125	Screw, cover pillion footrest	6	
29-1	43600M39310	Footrest Assy, pillion RH	1	
29-2	43760M39310	Footrest Assy, pillion LH	1	

FIG.23



RR SPORT

FIG.23 (D-4) REAR BRAKE

REF. NO.	PART NO.	DESCRIPTION	Q'TY	REMARKS
1	43110M31C10	PEDAL, brake	1	
2	43211 - 35500	SPRING	1	
3	09160 - 15002	WASHER (15.5x26x2.3)	1	
4	04111 - 30308	COTTER PIN	1	
5	43300 - 31C10	ROD ASSY, brake	1	
6	09440 - 09004	.SPRING	1	
7	09209 - 11002	.PIN	1	
8	09150 - 06009	.NUT	1	
9	08322 - 21057	.WASHER	1	
10	04111 - 20208	.COTTER PIN	1	

FIG.24

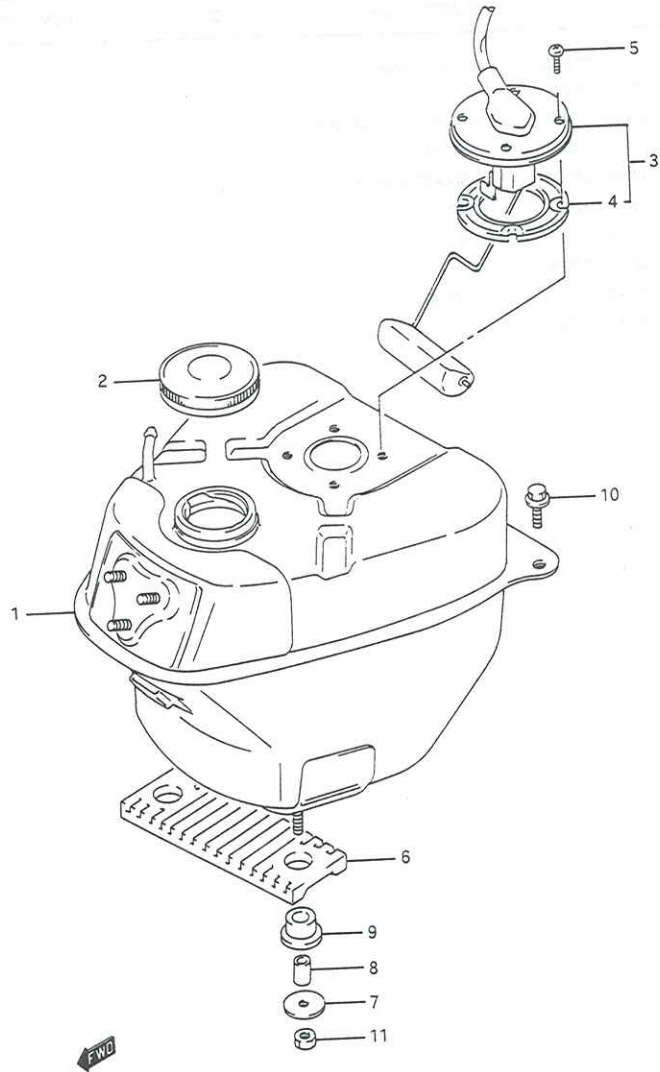


FIG.24 (D-5) FUEL TANK

REF. NO.	PART NO.	DESCRIPTION	QTY	REMARKS
1	44110M31C00 - 019	TANK, fuel (Black)	1	
2	44210 - 35014	CAP, FUEL TANK	1	
3	34810 - 31C00	GAUGE ASSY, fuel level	1	
4	34825 - 02100	.GASKET	1	
5	02112 - 35126	SCREW	4	
6	44542M31C00	CUSHION, fuel tank lower No. 1	1	
7	09160 - 06072	WASHER, fuel tank lower	2	
8	09180 - 06169	SPACER, fuel tank lower	2	
9	09320 - 10022	CUSHION, fuel tank lower No. 2	2	
10	01517 - 06167	BOLT, fuel tank rear	2	
11	08310 - 12066	NUT, fuel tank lower	2	

4

FIG.25

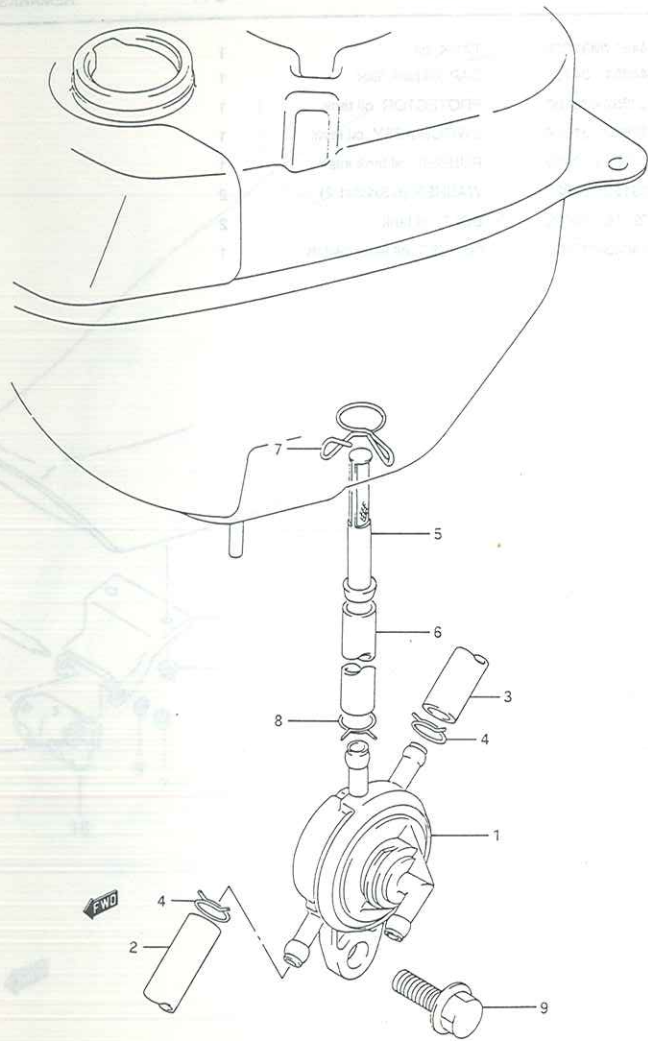


FIG.25 (D-6) FUEL COCK

REF. NO.	PART NO.	DESCRIPTION	QTY	REMARKS
1	44300 - 11B01	COCK ASSY, fuel	1	
2	09352 - 50823-600	HOSE, fuel (L:600 360)	2	
3	09352 - 50823-600	HOSE, breather (L:600 550)	1	
4	09401 - 08402	CLIP, fuel hose	6	
5	44322 - 27001	FILTER, fuel	1	
6	09359 - 50822 - 041	HOSE, fuel ON	1	
7	09401 - 10403	CLIP, fuel ON	1	
8	09401 - 08402	CLIP, fuel ON	1	
9	01517 - 06166	BOLT, fuel cock	1	

4

FIG.26

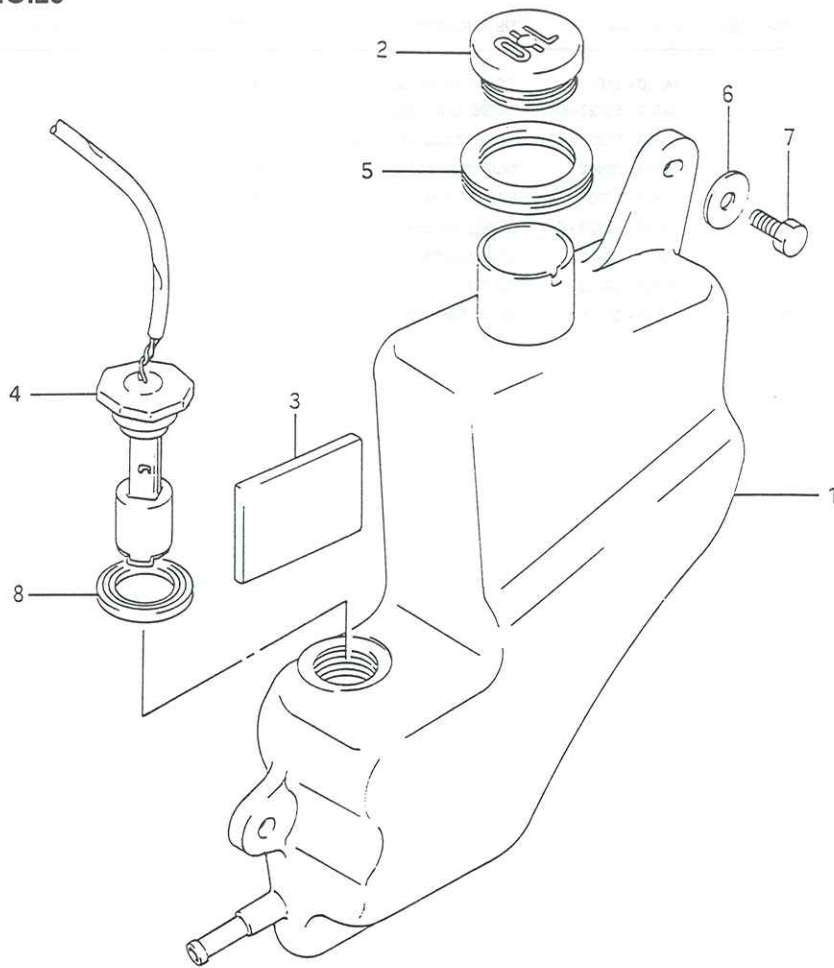
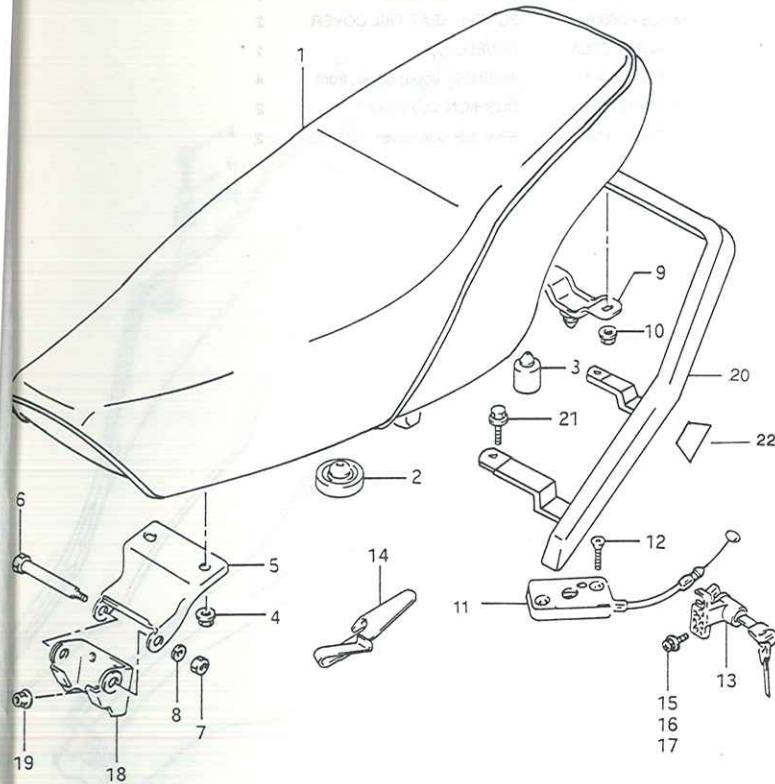


FIG.26 (D-7) OIL TANK

REF. NO.	PART NO.	DESCRIPTION	QTY	REMARKS
1	44611M31C00	TANK, oil	1	
2	44651 - 04701	CAP, oil tank filler	1	
3	33652 - 36100	PROTECTOR, oil tank	1	
4	37880 - 31C00	SWITCH ASSY, oil level	1	
5	44667 - 12900	RUBBER, oil tank inlet	1	
6	09160 - 06027	WASHER (6.5x20x1.2)	2	
7	09116 - 06008	BOLT, oil tank	2	
8	44643 - 31000	GASKET, oil level switch	1	

G.27



SPORT

FIG.27 (D-8) SEAT

REF. NO.	PART NO.	DESCRIPTION	Q'TY	REMARKS
1	45100M31C10	SEAT ASSY	1	
2	09321 - 14005	.CUSHION	2	
3	45149 - 35410	.CUSHION, rear	2	
4	08316 - 20063	NUT	2	
5	45285M31C10	BRACKET, seat support, front	1	
6	09111 - 06001	BOLT	1	
7	08310 - 12066	NUT	1	
8	08321 - 21066	LOCK WASHER	1	
9	45210 - 35420	STRIKER, seat lock	1	
10	08316 - 26066	NUT	2	
11	45220M31C01A	BRACKET, seat support, rear	1	
12	02122 - 06255	SCREW	2	
13	95700 - 31C00	LOCK, seat	1	
14	95721 - 31C00	HOLDER, helmet	1	
15	02112 - 05106	SCREW	2	
16	08321 - 21056	LOCK WASHER	2	
17	08322 - 21056	WASHER	2	
18	45260M31C00	HOLDER, seat	1	
19	08316 - 26066	NUT, seat holder	3	
20	46210M31C00A	HANDLE, pillion rider	1	
21	01517 - 06257	BOLT	4	
22	33652M38410	Cushion, Seat Bottom Plate	2	

4

FIG.28

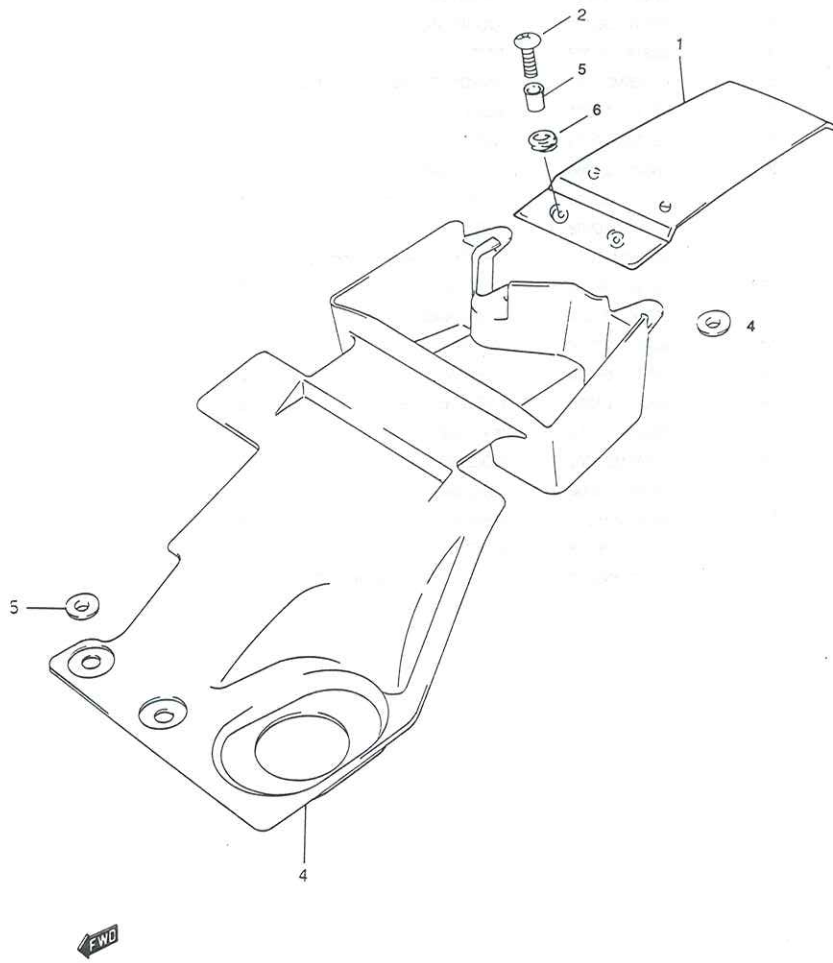


FIG.28 (d-9) SEAT TAIL COVER

REF. NO.	PART NO.	DESCRIPTION	Q'TY	REMARKS
1	45511M31C00A	TAIL COVER, seat	1	
2	09136 - 06009	SCREW, SEAT TAIL COVER	2	
3	47341M31C00A	COVER, upper	1	
4	09169 - 06041	WASHER, upper cover, front	4	
5	61375M31C20	CUSHION side cover	2	
6	61376M31C20	SPACER side cover	2	

4

RR SPORT

FIG.29

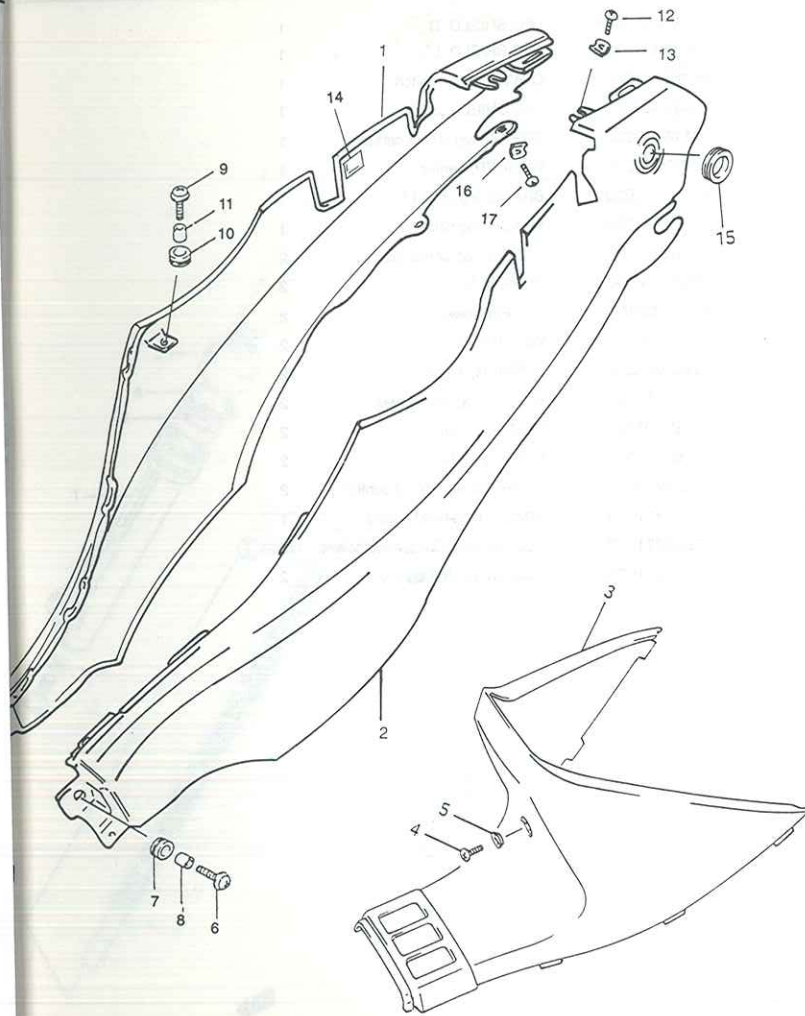


FIG. 29 (D-10) FRAME COVER

REF. NO.	PART NO.	DESCRIPTION	QTY	REMARKS
1	47111M31C00A	COVER, frame RH	1	
2	47211M31C00A	COVER, frame LH	1	
3	47311M31C00	COVER, center	1	
4	02142 - 05124	SCREW, center cover	1	
5	09169 - 05012	WASHER, center cover	1	
6	09136 - 06009	SCREW, side cover, front	2	
7	61375M31C20A	CUSHION, side cover, front	2	
8	61376M31C20	SPACER, side cover, center	2	
9	09136 - 06009	SCREW, side cover, center	2	
10	61375M31C20A	CUSHION, side cover, rear, upper	2	
11	61376M31C20A	SPACER, side cover, rear, upper	2	
12	03242 - 05125	SCREW, side cover, rear, lower	2	
13	09148 - 05020	NUT, side cover, rear lower	2	
14	44281 - 29C00	CUSHION, side cover	2	
15	45522 - 04700	GROMMET, seat lock hole	1	
16	09148 - 04024	NUT	2	
17	03541 - 04128	SCREW	2	

R SPORT

FIG.30

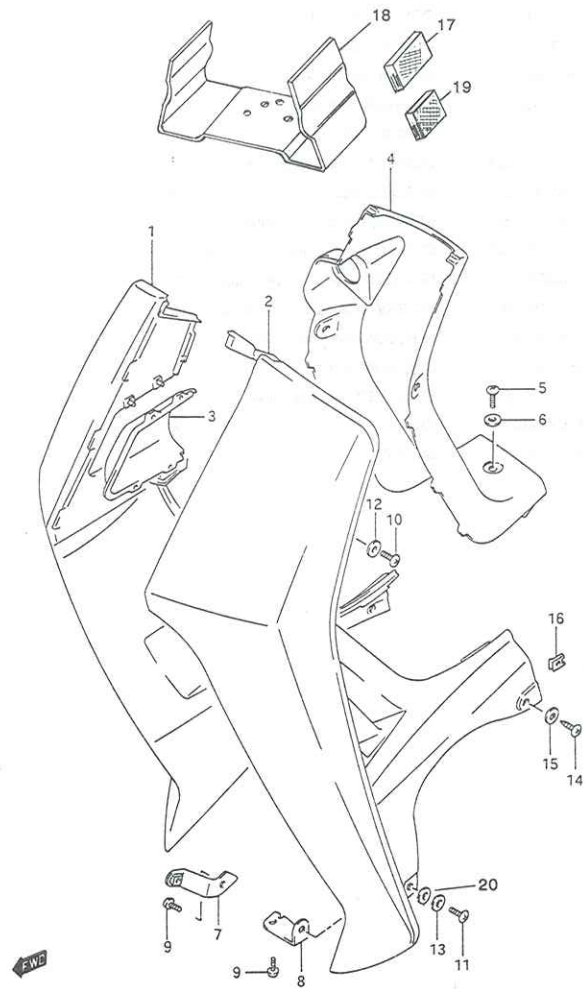
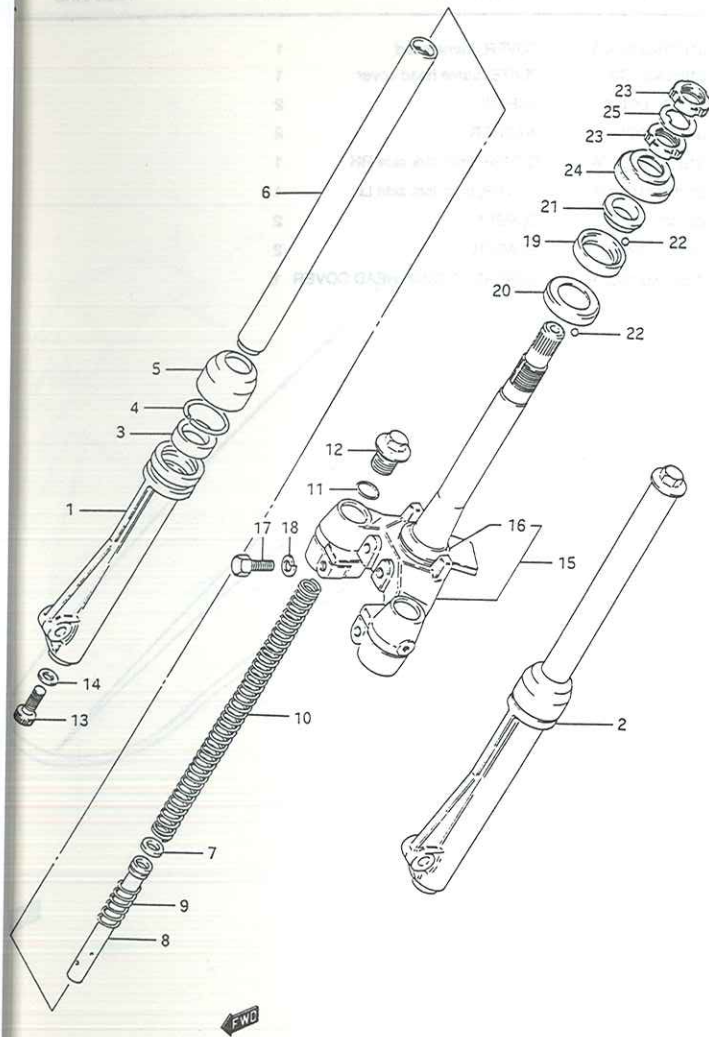


FIG.30 (D-11) LEG SHIELD

REF. NO.	PART NO.	DESCRIPTION	Q'TY	REMARKS
1	48111M31C00A	LEG SHIELD, R	1	
2	48121M31C00A	LEG SHIELD, L	1	
3	48272 - 31C00	COVER, main switch	1	
4	48131 - 31C00	LEG SHIELD, center	1	
5	02142M06207	SCREW, leg shield center	1	
6	09169M06052	WASHER, center	1	
7	48170 - 31C00	BRACE, leg shield R	1	
8	48180 - 31C00	BRACE, leg shield L	1	
9	02112 - 36168	SCREW, leg shield brace	2	
10	09125 - 06100	SCREW, front	2	
11	02142M06167	SCREW, lower	2	
12	09169 - 06072	WASHER, front	2	
13	09169M06052	WASHER, lower	2	
14	03242 - 05165	SCREW, leg shield rear	2	
15	09160 - 05031	WASHER, rear	2	
16	09148 - 05020	NUT, leg shield rear	2	
17	47221M31C00	CUSHION, leg shield centre	2	
18	48191M31C00	BRACE, leg shield centre	1	
19	33652M31C00	Cushion Brace Legshield cower	2	
20	48111M31C98A	Cushion Shield Leg Front	2	

4

FIG.31



R SPORT

FIG.31 (e-2) FRONT FORK

REF. NO.	PART NO.	DESCRIPTION	Q'TY	REMARKS
	51100 - 31C01-126	FORK ASSY, front (Puar)	1	model K/N
	51100 - 31C01L-13L	FORK ASSY, front (Silver)	1	model P
1	51130M35400-126	.OUTER TUBE, RH	1	
2	51140M35400 - 126	.OUTER TUBE, LH	1	
3	51153M02501	..OIL SEAL	2	
4	51156 - 43010	..RING	2	
5	51173 - 43210	..DUST SEAL	2	
6	51111M35400	..INNER TUBE	2	
7	51196 - 39140	..RING, piston	2	
8	51146 - 35420	..CYLINDER	2	
9	51177M35400	..SPRING	2	
10	51171M35400	..SPRING	2	
11	51181 - 23330	..O RING	2	
12	51351 - 28B00	..BOLT, cap	2	
13	51147M16510	..BOLT	2	
14	51148M41310	..GASKET	2	
15	51410 - 31C01	..STEM, steering	1	
16	51622 - 35400	..RACE, steering outer, lower	1	
17	01107 - 08306	..BOLT	2	
18	08321 - 21086	..LOCK WASHER	2	
19	51611 - 20002	Race, sreering criner upper	1	
20	51612 - 35400	RACE, steering inner, lower	1	
21	51621 - 25000	RACE, steering outer, upper	1	
22	06111 - 06003	BALL	49	
23	51631 - 05000	NUT, steering stem	2	
24	51643 - 06001	DUST SEAL, steering, upper	1	
25	09166 - 24001	WASHER	1	

4

FIG.32

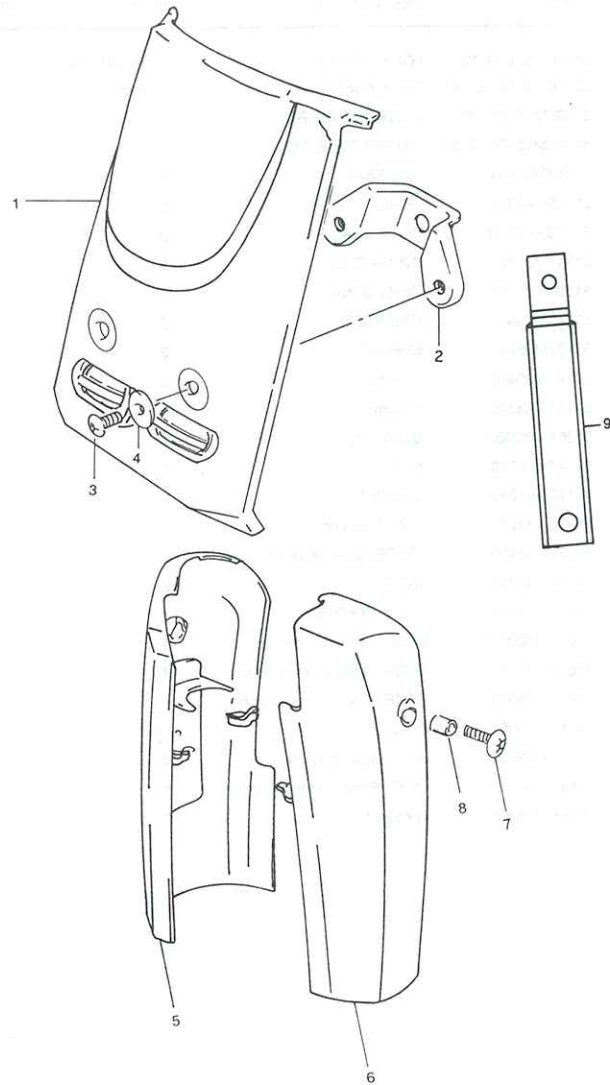
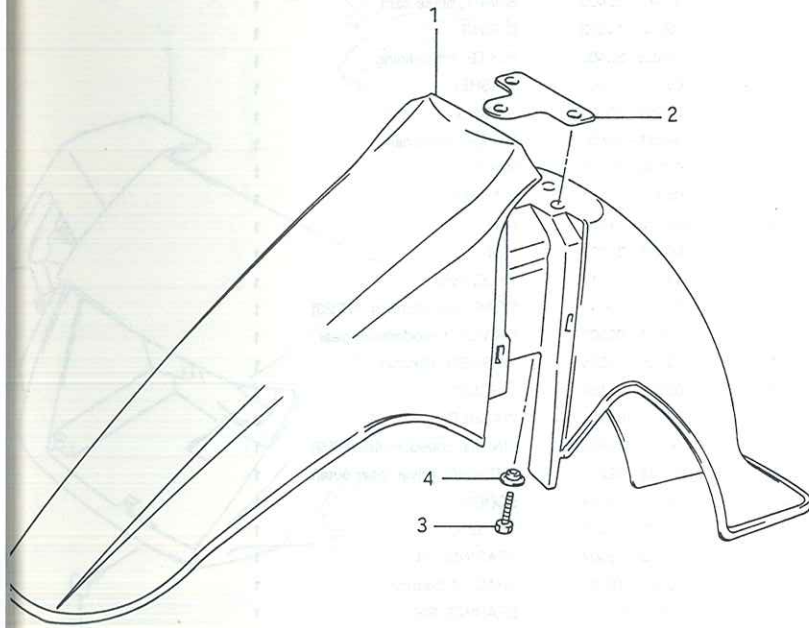


FIG.32 (E-3) FRONT FORK COVER

REF. NO.	PART NO.	DESCRIPTION	QTY	REMARKS
1	51871M31C00A	COVER, frame head	1	
2	51860M31C00	PLATE, frame head cover	1	
3	02142 - 06164	SCREW	2	
4	09169 - 06041	WASHER	2	
5	51881M31C00A	COVER, front fork side RH	1	
6	51882M31C00A	COVER, front fork side LH	1	
7	02142 - 06164	SCREW	2	
8	09180 - 06089	SPACER	2	
9	51861M31C00	BRACKET FRAME HEAD COVER	1	

FIG.33 (E-4) FRONT FENDER

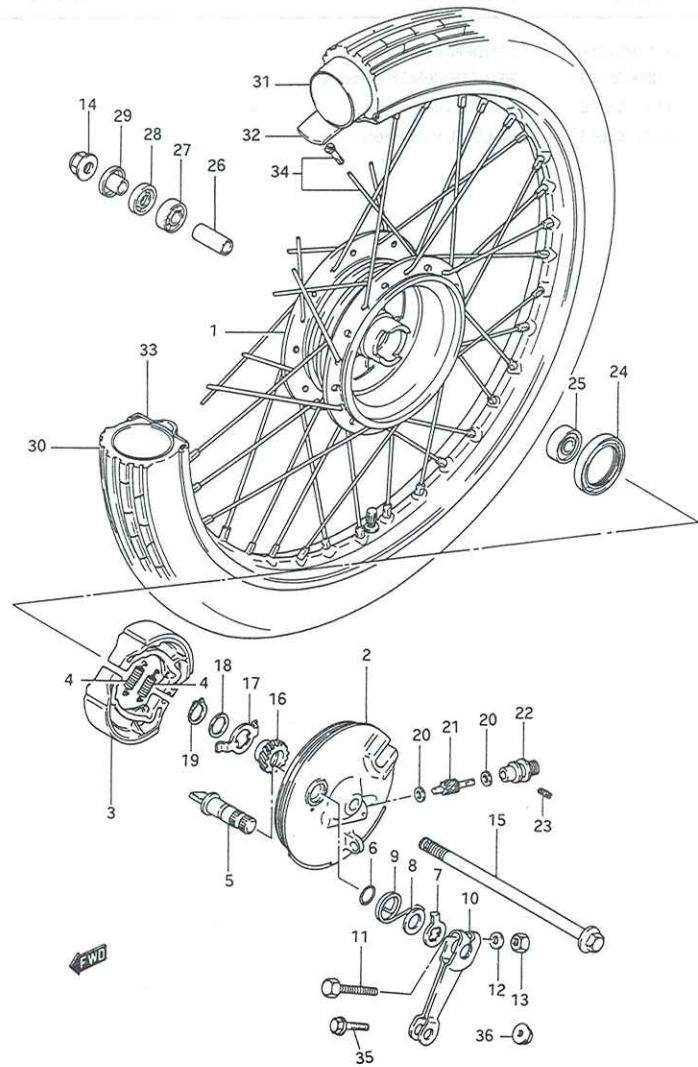
REMARKS	YTD	DESCRIPTION	QTY
	1	FENDER, front	1
	1	REINFORCEMENT, front fender	1
	3	BOLT, front fender	3
	3	SPACER, front fender	3



REF. NO.	PART NO.	DESCRIPTION	Q'TY	REMARKS
1	53111M31C00A	FENDER, front	1	
2	53124M35400	REINFORCEMENT, front fender	1	
3	01107 - 06166	BOLT, front fender	3	
4	09169 - 06053	SPACER, front fender	3	

4

FIG.34

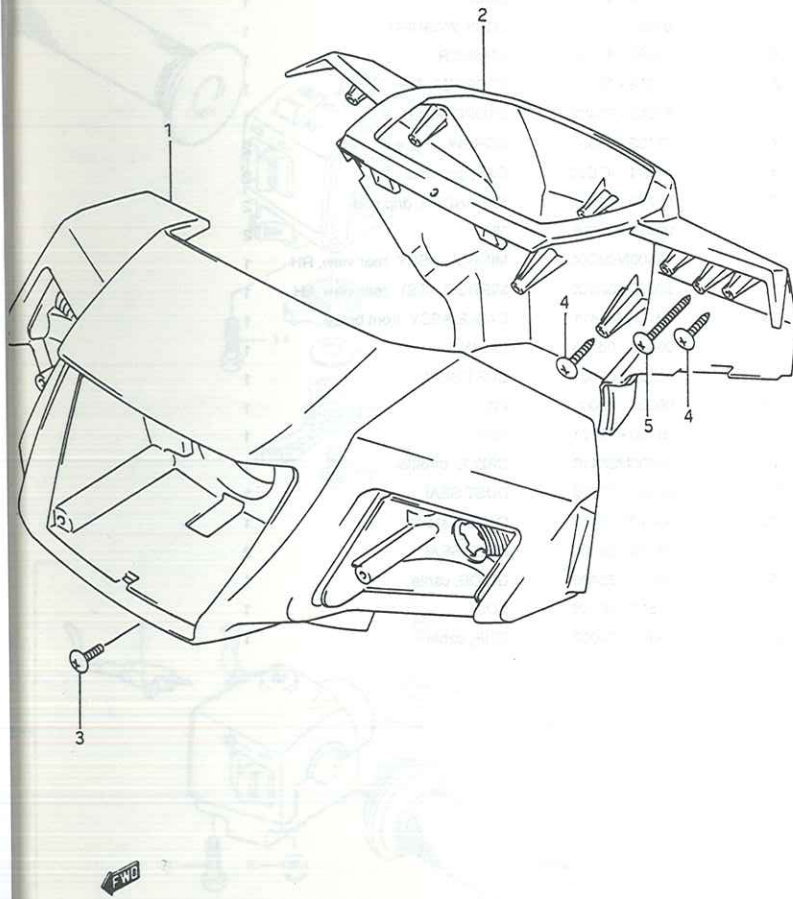


RR SPORT

FIG.34 (E-5) FRONT WHEEL

REF. NO.	PART NO.	DESCRIPTION	QTY	REMARKS
1	54110M35400	HUB, front wheel	1	
2	54210M35401	PANEL, front hub	1	
3	54410 - 01010	SHOE, brake	2	
4	09443 - 07001	SPRING	2	
5	54441 - 35400	SHAFT, brake cam	1	
6	09280 - 14003	O RING	1	
7	54492 - 35400	PLATE, brake lining	1	
8	09160 - 14003	WASHER	1	
9	09448 - 30009	SPRING	1	
10	54451 - 35400	LEVER, brake cam	1	
11	09100 - 06078	BOLT	1	
12	08322 - 21067	WASHER	1	
13	08310 - 11067	NUT	1	
14	08319 - 31107	NUT	1	
15	54711 - 35411	AXLE, front	1	
16	54611 - 03601	GEAR, speedometer (NT:23)	1	
17	54661 - 03000	DRIVER, speedometer gear	1	
18	09160 - 16005	WASHER, 16x22x1	1	
19	08331 - 31156	CIRCLIP	1	
20	09160 - 05001	WASHER, 5.1x9x0.4	2	
21	54621 - 39202	PINION, speedometer (NT:9)	1	
22	54632 - 02201	BUSHING, driven gear outer	1	
23	09134 - 03101	SCREW	1	
24	09285 - 43001	OIL SEAL	1	
25	08143 - 63007	BEARING, LH	1	
26	09180 - 10091	SPACER, bearing	1	
27	08123 - 62007	BEARING, RH	1	
28	09284 - 15001	OIL SEAL	1	
29	54740 - 26100	SPACER, axle RH	1	
30	55100M09401A	TIRE, front, 2.50-17	1	
31	55200M01011	TUBE, inner	1	
32	55261 - 01010	PROTECTOR, inner tube	1	
33	55311M01021A	RIM, wheel 1.40x17	1	
34	55320M01012	SPOKE ASSY, front	1	
35	09103 - 06045	BOLT	1	
36	09159 - 06017	NUT	1	

FIG.35 (E-7) HANDLE COVER



REF. NO.	PART NO.	DESCRIPTION	QTY	REMARKS
1	56311M31C00	COVER, handle, front	1	
2	56321M31C00	COVER, handle, rear	1	
3	02142 - 05126	SCREW, front	1	
4	03541 - 05206	SCREW, rear	4	
5	03451 - 05406	SCREW	2	

4

FIG.36

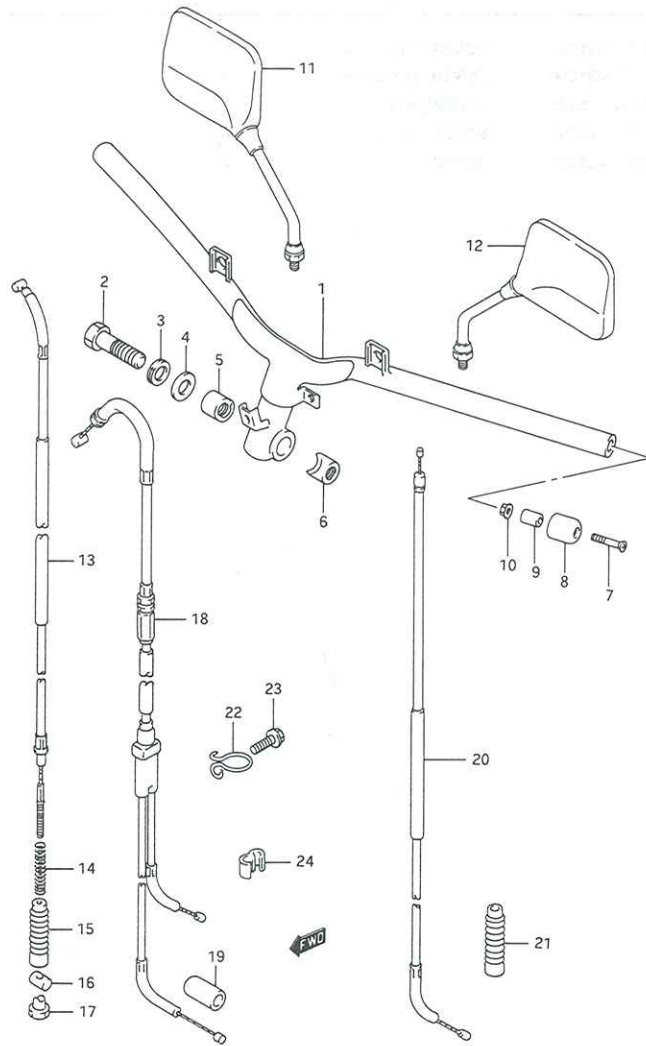


FIG.36 (E-8) HANDLE BAR

REF. NO.	PART NO.	DESCRIPTION	QTY	REMARKS
1	56110M31C10	HANDLEBAR	1	
2	09100 - 12061	BOLT	1	
3	08321 - 21126	LOCK WASHER	1	
4	08322 - 11126	WASHER	1	
5	51358 - 35410	STOPPER, RH	1	
6	51359 - 35402	STOPPER, LH	1	
7	02132 - 06357	SCREW	2	
8	56274 - 47C00	CAP, grip end	2	
9	56272 - 31C00	EXPANDER, grip end	2	
10	08316 - 26066	NUT	2	
11	56500M09C00	MIRROR ASSY, rear view, RH	1	
12	56600M09C00	MIRROR ASSY, rear view, LH	1	
13	58110M35411	CABLE ASSY, front brake	1	
14	09440 - 06003	SPRING	1	
15	09287 - 07001	DUST SEAL	1	
16	09209 - 10001	PIN	1	
17	09150 - 05101	NUT	1	
18	58300M35410	CABLE, throttle	1	
19	09287 - 07002	DUST SEAL	1	
20	58410M35410	CABLE, starter	1	
21	58333 - 35400	DUST SEAL	2	
22	58621 - 35400	GUIDE, cable	1	
23	01517 - 06105	BOLT	1	
24	09408 - 00002	CLIP, cable	1	

4

RR SPORT

G.37

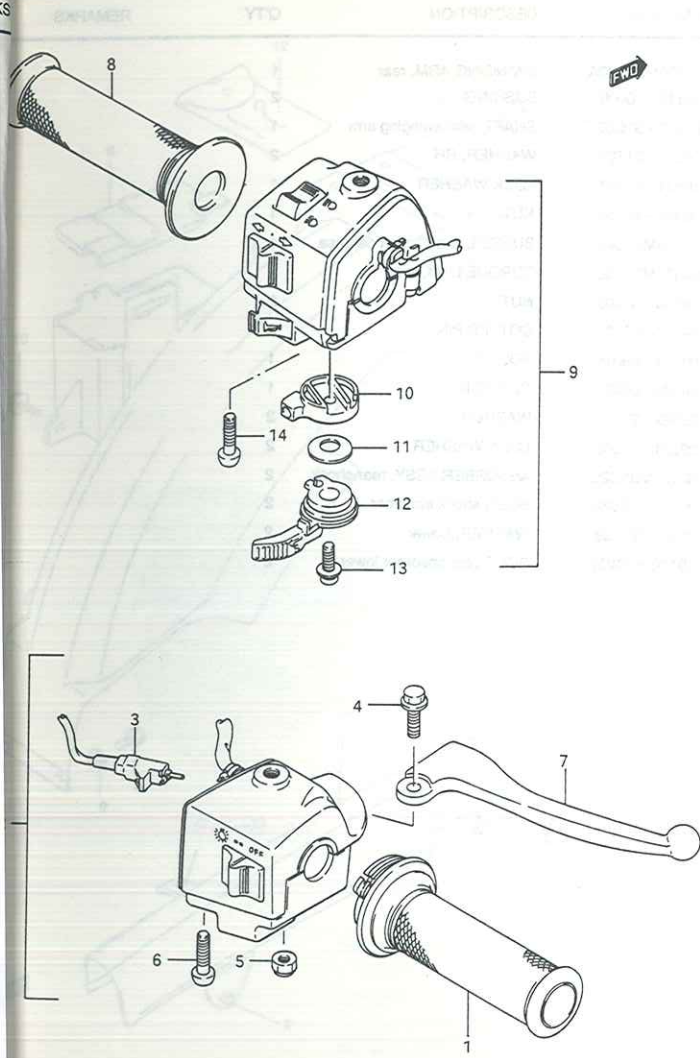


FIG.37 (E-9) HANDLE SWITCH

REF. NO.	PART NO.	DESCRIPTION	QTY	REMARKS
1	57110M31C10	GRIP, throttle	1	
2	57300M35461	LEVER HOLDER & SWITCH ASSY	1	
3	57460 - 35401	.SWITCH, stop	1	
4	57431 - 02910	.BOLT	1	
5	08319 - 21055	.NUT	1	
6	09125 - 05065	.SCREW	2	
7	57421M35410	LEVER, brake	1	
8	57211M31C10	GRIP, LH	1	
9	37400M35400	SWITCH ASSY, LH	1	
10	58711 - 13201	.BODY, choke lever	1	
11	58722 - 03010	.WASHER	1	
12	58721 - 35400	.LEVER, choke	1	
13	37574 - 49440	.SCREW	1	
14	09125 - 05105	.SCREW	2	

4

SPORT

FIG.38

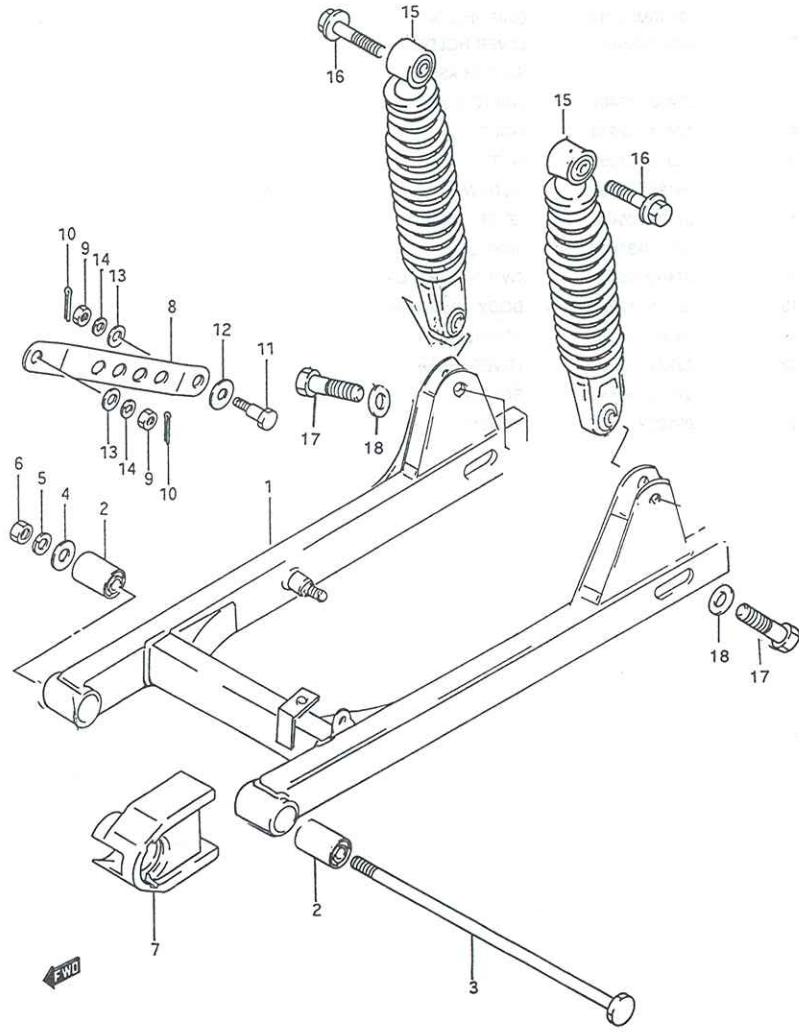


FIG.38 (F-3) REAR SWINGING ARM (model: N/P)

REF. NO.	PART NO.	DESCRIPTION	Q'TY	REMARKS
1	61100M31C20A	SWINGING ARM, rear	1	
2	09319 - 10009	BUSHING	2	
3	61211 - 31C00	SHAFT, rear swinging arm	1	
4	08322 - 21107	WASHER, RH	2	
5	08321 - 21107	LOCK WASHER	1	
6	08310 - 12108	NUT	1	
7	61273M31C00	BUFFER, chain touch defense	1	
8	64311M31C00	TORQUE LINK, rear	1	
9	09140 - 08008	NUT	2	
10	04111 - 20208	COTTER PIN	2	
11	09111 - 08016	BOLT	1	
12	64322 - 09401	CUSHION	1	
13	08322 - 21088	WASHER	2	
14	08321 - 21088	LOCK WASHER	2	
15	62100M31C20	ABSORBER ASSY, rear shock	2	
16	09116 - 10022	BOLT, shock absorber	2	
17	08322M21108	WASHER, Lower	2	
18	09116M,10227	BOLT, rear absorber lower	2	

RR SPORT

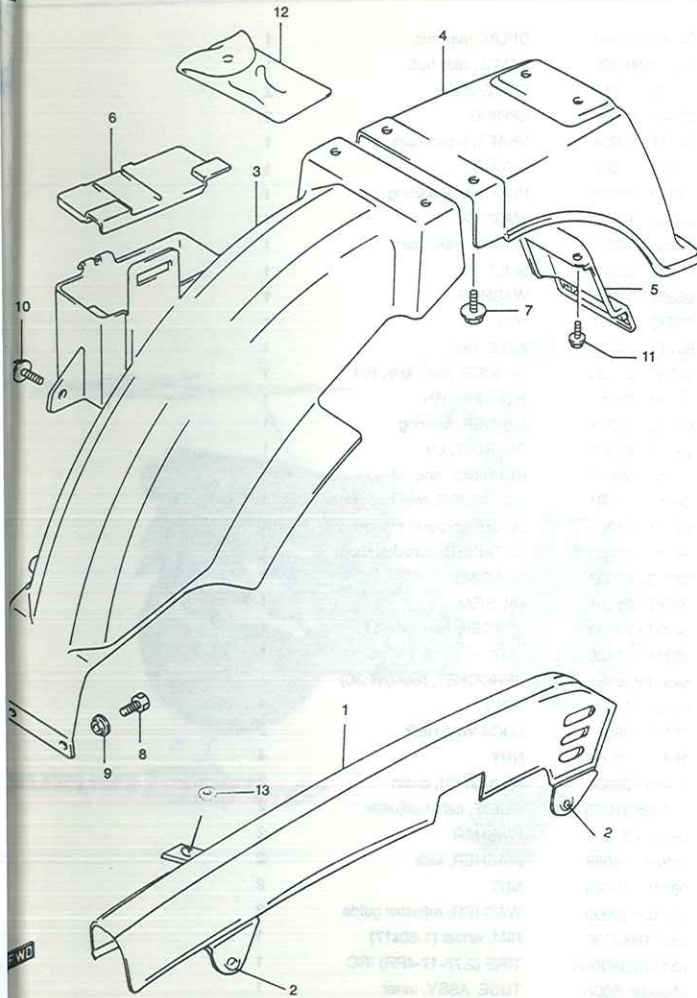


FIG.39 (F-4) REAR FENDER

REF. NO.	PART NO.	DESCRIPTION	QTY	REMARKS
1	61310M31C00A	CASE, chain	1	
2	01517M06105	SCREW, chain case	2	
3	63112M31C00	BODY, rear fender, front	1	
4	63113M31C00	FENDER, rear	1	
5	63120M31C00	REINFORCEMENT, rear fender	1	
6	41576M31C00	COVER, battery	1	
7	09116 - 06008	BOLT, center (6x16)	2	
8	01107 - 06127	BOLT, front (6x12)	2	
9	09169 - 06053	WASHER	2	
10	09116 - 06011	BOLT, front (6x20)	1	
11	01517 - 06128	BOLT, rear	2	
12	09800 - 00283	TOOL ASSY	1	
13	61375M31C20A	CUSHION, chain case	1	

4

FIG.40

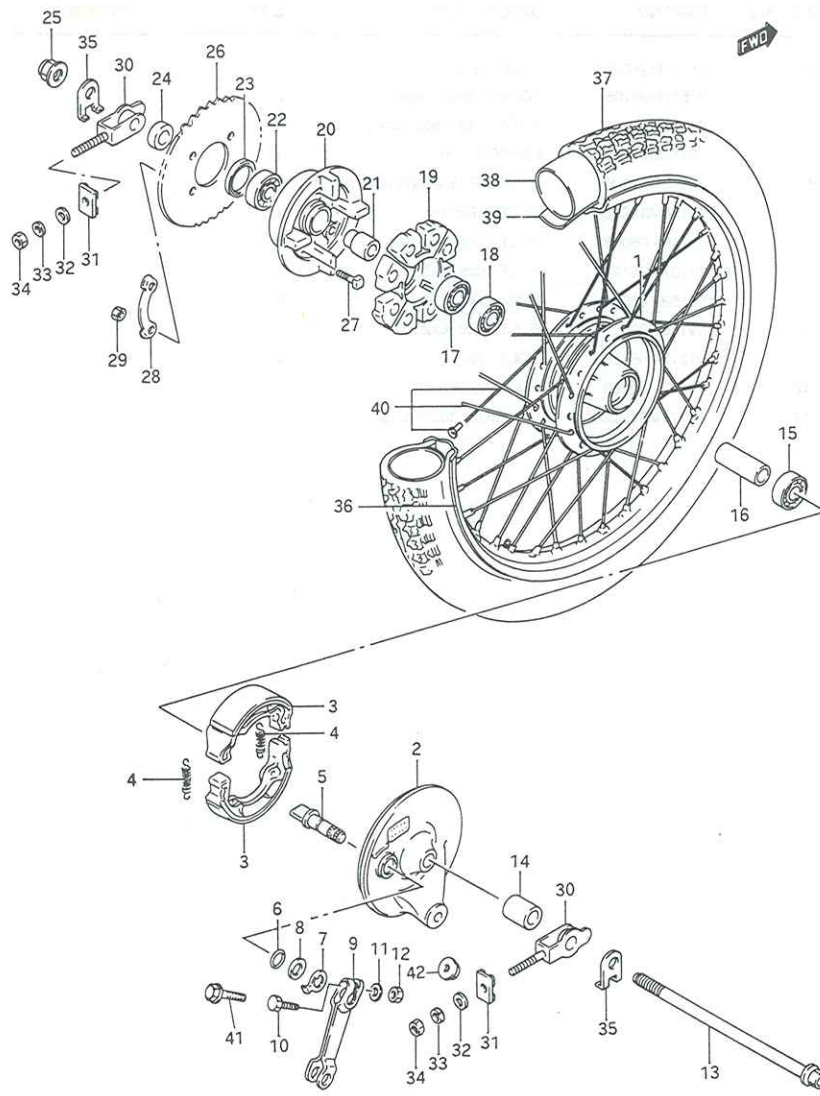


FIG.40 (F-7) REAR WHEEL (model N/P)

REF. NO.	PART NO.	DESCRIPTION	Q'TY	REMARKS
1	64110M35300	DRUM, rear hub	1	
2	64210M46005	PANEL, rear hub	1	
3	54410 - 01010	SHOE, brake	2	
4	09443 - 07001	SPRING	2	
5	54441 - 29304	SHAFT, brake cam	1	
6	09280 - 14003	O RING	1	
7	54492 - 35400	PLATE, brake lining	1	
8	09160 - 14003	WASHER	1	
9	64451 - 43020	LEVER, brake cam	1	
10	09100 - 06078	BOLT	1	
11	08322 - 21067	WASHER	1	
12	08310 - 11067	NUT	1	
13	64711 - 31C20	AXLE, rear	1	
14	64731 - 31C20	SPACER, rear, axle, RH	1	
15	08143 - 62017	BEARING, RH	1	
16	09180 - 12084	SPACER, bearing	1	
17	08143 - 62017	BEARING, LH	1	
18	08113 - 62017	BEARING, inner LH	1	
19	64651 - 010B1	ABSORBER, rear hub shock	1	
20	64611 - 01001	DRUM, sprocket mounting	1	
21	64733 - 43000	RETAINER, sprocket drum	1	
22	08113 - 62037	BEARING	1	
23	09285 - 25001	OIL SEAL	1	
24	64721 - 35500	SPACER, rear axle, LH	1	
25	08319 - 31128	NUT	1	
26	64511M35480	SPROCKET, rear (NT:36)	1	
27	09105 - 08008	BOLT	4	
28	09169 - 08011	LOCK WASHER	2	
29	08310 - 12088	NUT	4	
30	61410 - 35500	ADJUSTER, chain	2	
31	61420M31C20	GUIDE, chain adjuster	2	
32	08322 - 21088	WASHER	2	
33	08321 - 21088	WASHER, lock	2	
34	08310 - 12088	NUT	2	
35	64712 - 20900	WASHER, adjuster guide	2	
36	65311M46730	RIM, wheel (1.60x17)	1	
37	65110M38D00A	TIRE (2.75-17-4PR) IRC	1	
38	55200M3600A	TUBE ASSY, inner	1	
39	55261 - 01010	PROTECTOR, inner tube	1	
40	65320M03021	SPOKE SET, rear wheel	1	
41	09103 - 06045	BOLT	1	
42	09159 - 06017	NUT	1	

RR SPORT

FIG.41 (EMBLEM & TAPE SET)

REF. NO.	PART NO.	DESCRIPTION	QTY	REMARKS
1	68190M31C99A	Emblem, frame head cover	1	
2	68151M31C99A	Stripe set, under tone leg shield	1	
3	68130M31C99A	Emblem, Cover	2	
4	68160M31C98A	Emblem, leg shield	1	
5	68131M31C98A	Stripe set, Cover	1	



4

SPORT

PART NO.	FIG. NO. -REF. NO.	PART NO.	FIG. NO. -REF. NO.	PART NO.	FIG. NO. -REF. NO.
10000		12359 - 45500	4 - 14	13860 - 00010	6 - 11
		13111 - 31C10	2 - 18	13881 - 35401	6 - 7
		13111 - 35403	2 - 18	14181 - 35410	7 - 1
		13125 - 35401	2 - 28	14310 - 31C40A	7 - 3
		13150 - 31C01	2 - 19	14510 - 31C30	7 - 4
11111 - 31C20	1 - 1	13152 - 35400	2 - 20	14518 - 31C30	7 - 5
11141 - 31C00	1 - 2	13153 - 31C01	2 - 21	16100 - 31C11	8 - 5
11151 - 31C00	1 - 12	13200 - 31C70	5	16292 - 03112	8 - 6
11151 - 36500	1 - 11	13247 - 43200	5 - 21	16320 - 31C00	8 - 8
11210 - 31C20	1 - 3	13249 - 43200	5 - 22	16329 - 35402	8 - 9
11241 - 31C10	1 - 7	13250 - 35400	5 - 2	16731 - 03101	8 - 7
11271 - 31C10	1 - 4	13251 - 35400	5 - 1	16820 - 35403	8 - 13
11301 - 31812	2 - 1	13254 - 20010	5 - 8	16910 - 09C00	2 - 3
11340 - 31C10A	3 - 1	13267 - 09C80	5 - 30	16910 - 21D00	2 - 32
11349 - 23400	2 - 36	13267 - 43200	5 - 18	17110 - 35410	3 - 18
11351 - 35510A	3 - 10	13268 - 43200	5 - 17	17131 - 31C20A	3 - 20
11361 - 35510A	3 - 16	13268 - 92910	5 - 31	17133 - 35412	3 - 24
11385 - 35404	8 - 1	13278 - 02330	5 - 26		
11387 - 35401	8 - 3	13295 - 29900	5 - 33		
11389 - 35402	3 - 11	13370 - 03A40	5 - 9		
11400 - 31881	1 - 14	13373 - 46710	5 - 19	20000	
11482 - 35410	3 - 2	13374 - 46710	5 - 10		
11483 - 35400	3 - 15	13383 - 31C01	5 - 6		
12100	4A - 1	13386 - 04700	5 - 4		
12100	4A - 1	13394 - 12110	5 - 7		
12100	4A - 1	13411 - 01010	5 - 25	21111 - 31C00	9 - 1
12100	4A - 1	13417 - 01010	5 - 24	21112 - 35402	9 - 2
12100	4A - 1	13418 - 43200	5 - 23	21210 - 35504	9 - 11
12105 - 35840	4 - 21	13523 - 46110	5 - 29	21410 - 31C01	9 - 24
12110	4A - 2	13551 - 31C00	5 - 14	21441 - 31C00	9 - 14
12110	4A - 2	13573 - 35400	5 - 16	21451 - 31C00	9 - 17
12110	4A - 2	13581 - 36212	5 - 15	21451 - 35501	9 - 12
12110	4A - 2	13601 - 04148	5 - 13	21452 - 35401	9 - 15
12110	4A - 2	13602 - 03068	5 - 20		9 - 16
12140 - 31C10	4 - 3	13606 - 47A00	5 - 32		9 - 18
12140 - 31C10 - 025	4 - 3	13683 - 35430	5 - 27	21452 - 35500	9 - 13
12140 - 31C10 - 050	4 - 3	13683 - 37420	5 - 12		9 - 19
12140 - 31C10 - 075	4 - 3	13700 - 35403	6 - 1	21461 - 35402	9 - 20
12140 - 31C10 - 100	4 - 3	13711 - 35403	6 - 10	21501 - 31C10	9 - 6
12151 - 31C00	4 - 4	13720 - 35402	6 - 2	23121 - 09D00	9 - 27
12161 - 35500	4 - 11	13739 - 35400	6 - 12	23221 - 31C00	9 - 31
12200 - 31C00	4 - 7	13740 - 35401	6 - 3	23222 - 90400	9 - 32
12211 - 35401	4 - 13	13781 - 35400	6 - 5	23223 - 35500	9 - 37
12221 - 31C00	4 - 8	13791 - 35400	6 - 4	23230 - 35510	9 - 29
12261 - 31C00 - 0A0	4 - 9	13821 - 00011	6 - 9	23250 - 35401	9 - 30

PART NO.	FIG. NO. -REF. NO.	PART NO.	FIG. NO. -REF. NO.	PART NO.	FIG. NO. -REF. NO.
24121 - 31C01	10 - 1	32101 - 35421	13 - 1	35710 - 31C00A	19 - 1
24130 - 31C00	10 - 11	32102 - 35410	13 - 7	35712 - 31C00A	19 - 2
24221 - 31C01	10 - 2	32120 - 35420	13 - 2	35715 - 31C00	19 - 6
24231 - 31C00	10 - 4	32140 - 35410	13 - 4	35726 - 31C00	19 - 6
24241 - 31C02	10 - 6	32351 - 39210	13 - 3	35927 - 36510	19 - 10
24310 - 31C02	10 - 12	32372 - 35400	13 - 13	35950 - 35400	17 - 12
24331 - 31C00	10 - 13	32800 - 35421	15 - 1	36300 - 31831	16 - 3
24341 - 31C01	10 - 14	33410 - 35450	15 - 3	36610 - 31C01	20 - 1
24741 - 35400	10 - 9	33510 - 35410	15 - 5	37100 - 31C00	20 - 6
24840 - 35400	2 - 15	33541 - 69010	15 - 6	37146 - 03A00	20 - 14
25210 - 31C01	11 - 1	33542 - 35410	15 - 7	37146 - 03A10	20 - 14
25220 - 31C01	11 - 2	33610 - 31C10	14 - 1	37146 - 03A20	20 - 14
25311 - 31C00	11 - 5	33624 - 31C10	20 - 3	37146 - 03A30	20 - 14
25341 - 35400	11 - 12	33651 - 31C00	14 - 2	37155 - 31C00A	20 - 8
25350 - 35403	11 - 14	33652 - 31C00	14 - 4	37155M31C99A	20 - 15
25381 - 31C01	11 - 6	33652 - 31C10	14 - 5	37400 - 35400	37 - 9
25382 - 09D00	11 - 7	33652 - 36100	26 - 3	37574 - 49440	37 - 13
25421 - 35402	11 - 4	33652M36410	27 - 22	37720 - 35400	11 - 31
25510 - 31C02	11 - 18	33653 - 31C00	14 - 3	37740 - 48071	20 - 9
25520 - 31C00	11 - 23	33680 - 14A00	14 - 6	37880 - 31C00	26 - 4
25600 - 31C00	11 - 28	33860 - 31C10	14 - 7	38500 - 31C00	20 - 11
25652 - 16500	11 - 29	34100 - 31C00	16 - 1	38610 - 09410	18 - 6
25671 - 31C00	11 - 27	34100 - 31C20A	16 - 1		
26210 - 31C00	12 - 1	34111 - 31C00	16 - 7	40000	
26221 - 35400	12 - 2	34112 - 31C00	16 - 2		
26231 - 35403	9 - 7	34120 - 31C00	16 - 4		
26240 - 35401	12 - 6	34120 - 31C20	16 - 4		
26261 - 31C00	12 - 10	34148 - 31C00	16 - 12		
26271 - 31C00	12 - 11	34170 - 31C00	16 - 8		
26280 - 31C00	9 - 10	34182 - 12B00	16 - 6		
26300 - 31C10	12 - 14	34810 - 31C00	24 - 3	41100 - 31C20A	21 - 1
26352 - 01000	12 - 15	34825 - 02100	24 - 4	41576 - 31C00	39 - 6
27511 - 27401	10 - 20	34910 - 31C00	16 - 14	42100 - 31C00	22 - 1
27600 - 07612	10 - 22	35120 - 31C00	17 - 1	42211 - 03001	22 - 2
27620 - 05220	10 - 23	35124 - 31C00	17 - 4	42221 - 31C00	22 - 3
27620 - 20910	10 - 23	35125 - 31C00	17 - 11	42231 - 31C00	22 - 4
		35128 - 37B00	17 - 6	42251 - 03003	22 - 5
		35151 - 31C00	17 - 5	42310 - 35410	22 - 12
		35152 - 45600	17 - 8	43110 - 31C10	23 - 1
		35154 - 31C00	17 - 7	43211 - 35500	23 - 2
30000		35171 - 37B00	17 - 2	43300 - 31C10	23 - 5
		35612 - 31C10	18 - 1	43510 - 31C20	22 - 8
		35618 - 37B00	18 - 5	43551 - 39110	22 - 9
		35632 - 31C10	18 - 2	43681 - 31C00A	22 - 25
		35652 - 31C00A	19 - 3	43691 - 31C00A	22 - 25
		35672 - 31C00A	19 - 4	43610 - 39310	22 - 17

5

5 5

PART NO.	FIG. NO. -REF. NO.	PART NO.	FIG. NO. -REF. NO.	PART NO.	FIG. NO. -REF. NO.
08310 - 12066	24 - 11 27 - 7	08331 - 31146	12 - 4	09139 - 06061	30 - 10
08310 - 12088	40 - 29 40 - 34	08331 - 31156	34 - 19	09140 - 06023	9 - 40
08310 - 12108	38 - 6	08331 - 31166	10 - 21	09140 - 08008	38 - 9
		08331 - 31176	9 - 26	09140 - 10003	13 - 8
		08331 - 31216	9 - 23	09140 - 14022	9 - 9
08310 - 22067	2 - 30	08331 - 31383	9 - 3	09148 - 04024	29 - 16
08310 - 22107	22 - 15 22 - 23 22 - 26	08332 - 11046	12 - 9	09148 - 05020	29 - 13
		08341 - 31039	13 - 12		30 - 16
		08361 - 35066	2 - 27	09150 - 05101	36 - 17
08316 - 16066	19 - 9	09100 - 06078	34 - 11	09150 - 06009	23 - 8
08316 - 26066	27 - 4 27 - 10 27 - 19		40 - 10	09159 - 06017	34 - 36
		09100 - 10007	22 - 14	09159 - 08041	1 - 10
		09100 - 12061	36 - 2	09160 - 05001	34 - 20
		09103 - 06045	34 - 35	09160 - 05031	30 - 15
08319 - 21055	37 - 5		40 - 41	09160 - 06027	26 - 6
08319 - 31087	2 - 11	09103 - 06087	2 - 9	09160 - 06059	30 - 12
08319 - 31107	34 - 14	09105 - 08008	40 - 28	09160 - 06072	24 - 7
08319 - 31128	40 - 25		40 - 27	09160 - 06098	9 - 39
08321 - 21033	2 - 23	09108 - 06070	2 - 26	09160 - 06111	11 - 10
08321 - 21047	13 - 6	09108 - 08113	1 - 8	09160 - 10047	22 - 13
08321 - 21056	27 - 16	09108 - 08114	1 - 9	09160 - 13006	10 - 3
08321 - 21066	27 - 8	09111 - 06001	27 - 6		10 - 16
08321 - 21086	20 - 13 31 - 18	09111 - 06041	11 - 15	09160 - 14003	34 - 8
		09111 - 08016	38 - 11		40 - 8
08321 - 21088	22 - 10	09116 - 06008	26 - 7	09160 - 15002	23 - 3
	38 - 14 40 - 33		39 - 7	09160 - 16005	34 - 18
		09116 - 06011	39 - 10	09160 - 17032	9 - 5
08321 - 21107	13 - 9 22 - 27 38 - 5	09116 - 10022	38 - 16	09160 - 20010	4 - 10
		09116 - 10227	38 - 18	09161 - 09003	3 - 13
		09119 - 08014	8 - 17	09164 - 14011	9 - 8
08321 - 21126	36 - 3	09125 - 05065	37 - 6	09164 - 22004	9 - 21
08322 - 11126	36 - 4	09125 - 05105	37 - 14	09166 - 24001	31 - 25
08322 - 21056	17 - 14 27 - 17	09128 - 06037	3 - 8	09168 - 06001	3 - 7
		09128 - 08002	7 - 2	09168 - 14004	2 - 14
08322 - 21057	23 - 9	09129 - 06003	15 - 2	09169 - 05012	29 - 5
08322 - 21067	34 - 12 40 - 11	09132 - 04026	17 - 10		30 - 6
		09134 - 03101	34 - 23	09169 - 06041	28 - 4
08322 - 21068	40 - 11	09136 - 06009	28 - 2		30 - 13
08322 - 21088	2 - 12 38 - 13		29 - 6		32 - 4
			29 - 9	09169 - 06046	9 - 35
08322 - 21107	40 - 32	09136 - 06017	6 - 14	09169 - 06053	
08322 - 21108	38 - 4 13 - 10 38 - 17	09136 - 06084	3 - 12		33 - 4
		09137 - 05009	7 - 6		39 - 9
		09137 - 06019	2 - 25	09169 - 08011	40 - 28
08331 - 31126	12 - 13	09139 - 05047	30 - 5	09180 - 06086	11 - 3

PART NO.	FIG. NO. -REF. NO.	PART NO.	FIG. NO. -REF. NO.	PART NO.	FIG. NO. -REF. NO.
09180 - 06089	32 - 8 32 - 13		10 - 17	09407 - 25401	20 - 5
09180 - 06134	3 - 14	09263 - 20052	4 - 12	09408 - 00002	36 - 24
09180 - 06169	24 - 8	09263 - 16002	9 - 28	09440 - 04010	11 - 35
09180 - 09128A	7 - 8	09280 - 06005	9 - 38	09440 - 06003	36 - 14
		09280 - 14003	34 - 6	09440 - 09004	23 - 6
09180 - 10091	34 - 26	09280 - 20004	40 - 6	09443 - 06032	20 - 10
09180 - 12036	11 - 22		4 - 16	09443 - 06053	9 - 34
09180 - 12084	40 - 16	09280 - 26003	11 - 33	09443 - 07001	34 - 4
09180 - 17076	9 - 25	09283 - 17014	10 - 18		40 - 4
09180 - 19009	9 - 4	09283 - 25066	4 - 18	09443 - 07026	11 - 17
09180 - 22045	9 - 22	09284 - 15001	34 - 28	09443 - 08050	11 - 24
09181 - 25051	4 - 15	09285 - 12002	11 - 19	09443 - 13011	12 - 7
09181 - 25052	4 - 15	09285 - 14001	12 - 5	09443 - 14022	22 - 16
09181 - 25053	4 - 15	09285 - 25001	40A - 23	09443 - 16007	22 - 6
09181 - 25054	4 - 15	09285 - 43001	24 - 24	09444 - 25002	11 - 20
09181 - 25055	4 - 15	09287 - 07001	36 - 15	09448 - 30009	34 - 9
09181 - 25056	4 - 15	09287 - 07002	36 - 19	09448 - 39004	12 - 3
09181 - 25057	4 - 15	09289 - 32003	4 - 19	09471 - 12013	17 - 3
09181 - 25058	4 - 15	09319 - 08010	2 - 10	09471 - 12077	16 - 10
09181 - 25059	4 - 15	09319 - 10009	38 - 2	09471 - 12082	16 - 11
09181 - 25060	4 - 15	09320 - 10022	24 - 9	09471 - 12100	16 - 9
09181 - 25061	4 - 15	09321 - 06013	19 - 11	09471 - 12114	18 - 4
09181 - 25062	4 - 15	09321 - 10001	22 - 7		19 - 8
09181 - 25063	4 - 15	09321 - 14005	27 - 2	09471 - 12127	19 - 7
09181 - 25064	4 - 15	09352 - 20503 - 300	2 - 33	09481 - 10001	20 - 2
09181 - 25065	4 - 15	09352 - 45853 - 300	8 - 15	09482 - 00268	1 - 13
09200 - 06010	22 - 20	09352 - 50823 - 600	25 - 2	09482 - 00273 - 111	1 - 13
09200 - 07005	9 - 33		25 - 3	09491 - 92004	5 - 3
09200 - 20810	3 - 9	09359 - 50822 - 041	25 - 6	09492 - 17006	5 - 11
09206 - 13001	2 - 2	09367 - 03001	2 - 35	09494 - 00431	5 - 5
	3 - 3	09380 - 17007	10 - 5		39 - 12
09208 - 05005	12 - 8		10 - 15		
09209 - 05011	11 - 34	09381 - 12001	4 - 5		
09209 - 10001	36 - 16	09401 - 04401	2 - 34		
09209 - 11002	23 - 7		8 - 14		
09223 - 04001	11 - 16	09401 - 08401	8 - 16		
09247 - 14025	2 - 13	09401 - 08402	25 - 4		
09250 - 12009	8 - 2		25 - 8		
09261 - 04002	11 - 8	09401 - 10403	25 - 7		
09261 - 04012	11 - 9	09402 - 40305	6 - 8		
09262 - 17023	10 - 19	09402 - 48208	6 - 13		
09262 - 25070 - OAO	4 - 17	09404 - 06401	2 - 16		
09263 - 12019	11 - 26	09404 - 06402	8 - 19		
09263012023	4 - 6		20 - 4		
09263 - 13001	10 - 8	09407 - 18402	20 - 5		