

SUZUKI PARTS CATALOGUE

DS250RLM4

V-STRUM 250 SX

PREFACE

When it becomes necessary to replace parts on SUZUKI MOTORCYCLES, always use SUZUKI GENUINE PARTS which have passed a strict inspection which guarantees quality and performance.

This parts catalogue covers the list of all service parts for SUZUKI DS250RLM4.

INSTRUCTIONS FOR QUOTING THE CATALOGUE

1. DIMENSIONS

Dimensions of the parts in this catalogue are indicated in unit millimeters.

2. ABBREVIATIONS

Abbreviations used in this catalogue are as follows:

AR	: As required	NT	: Number of teeth
ASSY	: Assembly	OPT	: Optional
E. NO.	: Engine number	OS	: Over size
F. NO.	: Frame number	STD	: Standard
D	: Diameter of material	T	: Thickness
ID	: Inside diameter	US	: Under size
OD	: Outside diameter	W	: Width
L	: Length		
LH	: Left hand side		
RH	: Right hand side		
~100045	: Up to F. NO. A100-100045		
100046~	: From F. NO. A100-100046		
12 x 34 x 5.6 Figures in the description column		
	show the dimensions of parts.		
ID OD	T(or W, L)		

→12345-56781 (Parts No.) : indicates that the parts number was changed to 12345-56781 and the new parts are interchangeable with the former ones but the former ones are not interchangeable with new ones.

←12345-56781 (Parts No.) : indicates that the former and new parts are interchangeable with each other and both are usable.

3. INNER PARTS OF ASSEMBLY

Part name with a dot (.) in front as shown in the description column indicates the component of the assembly also available individually.

4. MODIFICATION NOTICE

A parts bulletin will be sent to you on all occasions when changes in parts occur, including interchangeable modifications between new parts and old ones.

5. NOTE

5-1. There are some different parts from those of production models among spare parts for the administrative reasons and common use of them with other models.

5-2. In respect of rubber hoses and vinyl tubes, please be sure to use them by cutting off according to the length mentioned on parts catalogue or what is actually required on the vehicle.

5-3. Note that the drawings on the illustration page are for ready reference of spare parts number, not to be used as an assembly manual.
When assembling, use "SUZUKI SERVICE MANUAL".

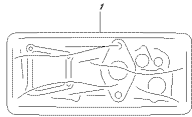
6. SPECIFICATION CODE

This catalogue contains the parts for the model designed for the following spec. ;
spec. code : P08.

7. SERIAL FRAME NUMBER

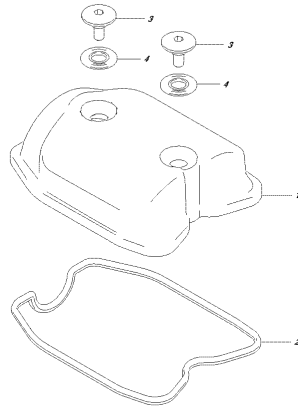
DS250RLM4 :

FIG.101A



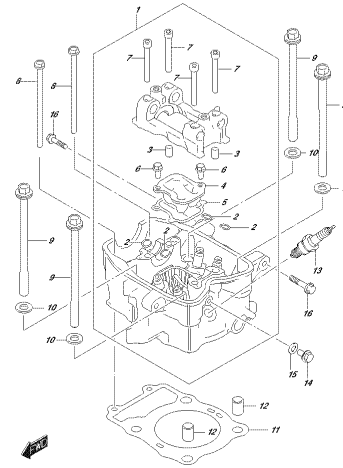
20259161_ML_PRL_0114
GRABNET 2017

FIG.102A



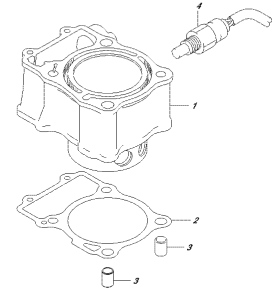
20259161_ML_PRL_0204
CYLINDERHEAD COVER

FIG.103A



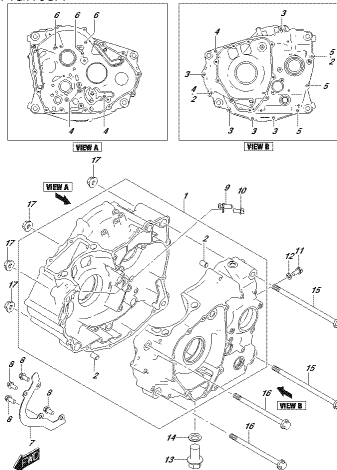
20259161_ML_PRL_0204
CYLINDERHEAD

FIG.107A



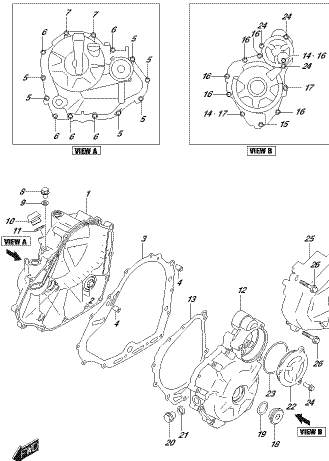
20259161_ML_PRL_0204
CYLINDER

FIG.103A



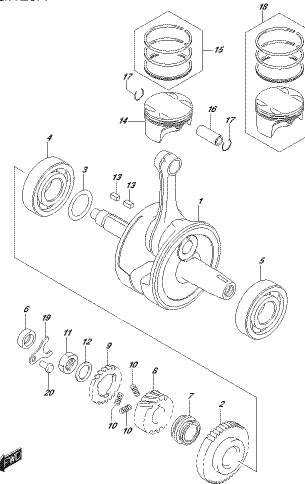
20259161_ML_PRL_0204
CRANKCASE

FIG.112A



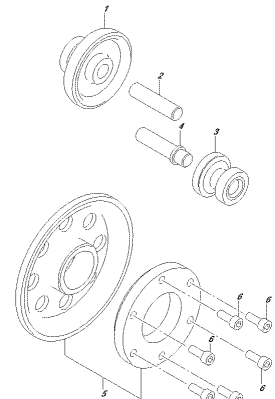
20259161_ML_PRL_0204
CRANKCASE COVER

FIG.120A



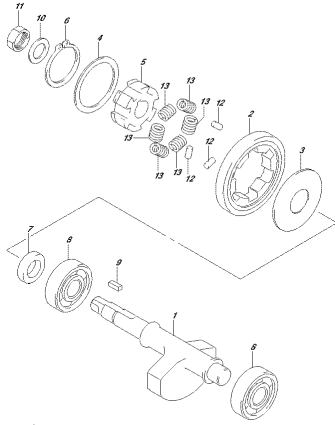
20259161_ML_PRL_0204
CRANKSHAFT

FIG.122A



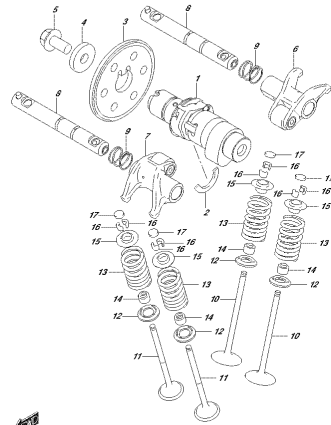
20259161_ML_PRL_0204
STARTER CLUTCH

FIG. 124A



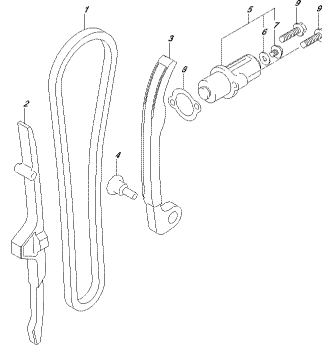
3252991.MK_PRL_124A
E24WV 20/4/16/22

FIG. 126A



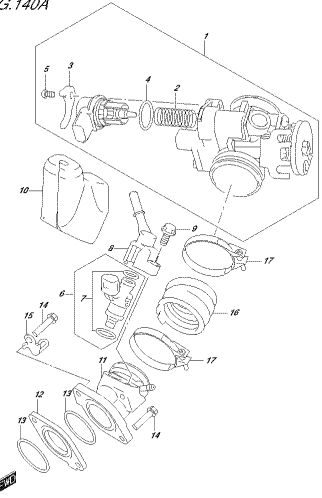
3252991.MK_PRL_126A
C43524673/ALC/E

FIG. 127A



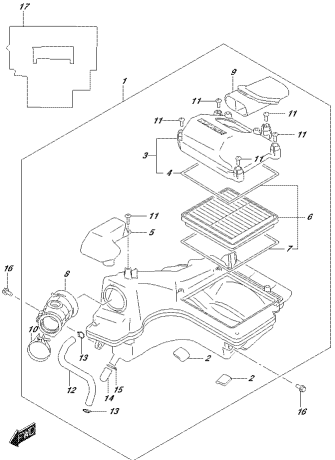
3252991.MK_PRL_127A
C431/CH407

FIG. 140A



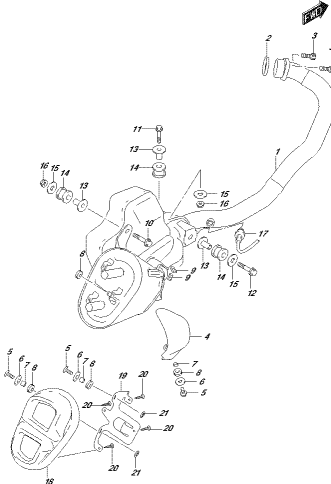
3252991.MK_PRL_140A
P/REG/TL/820V

FIG. 155A



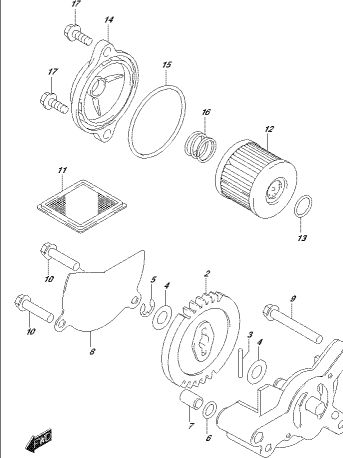
3252991.MK_PRL_155A
AIR CLEANER

FIG. 163A



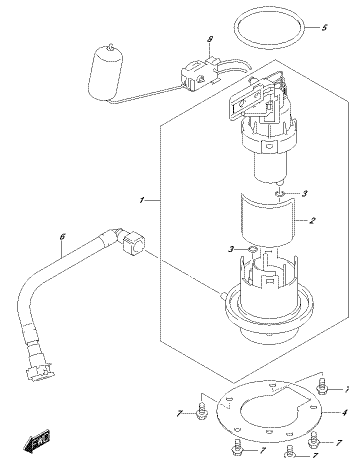
3252991.MK_PRL_163A
SOL/P/LEN

FIG. 170A



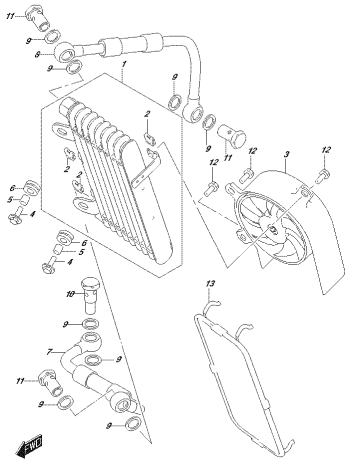
3252991.MK_PRL_170A
OIL PUMP

FIG. 172A



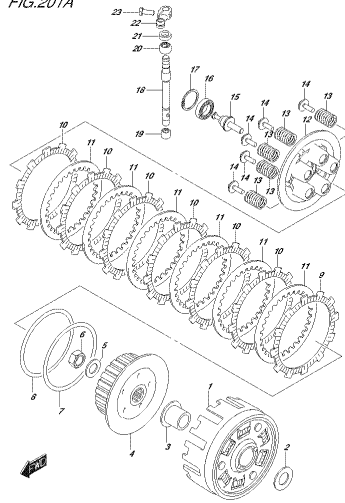
3252991.MK_PRL_172A
FUEL PUMP

FIG.178A



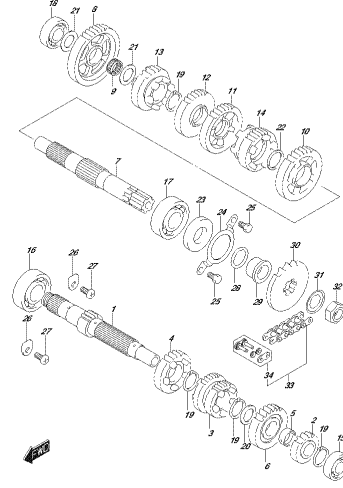
ENC5991_ML_PRL_178A
REV 0002/02

FIG.201A



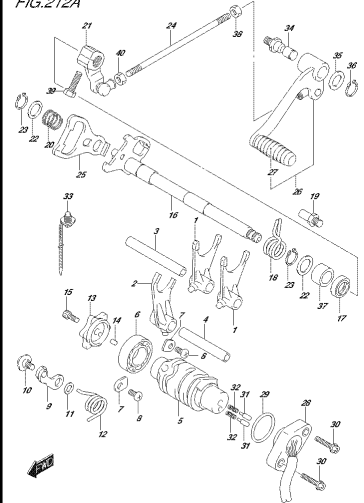
ENC5991_ML_PRL_201A
REV 0001/01

FIG.206A



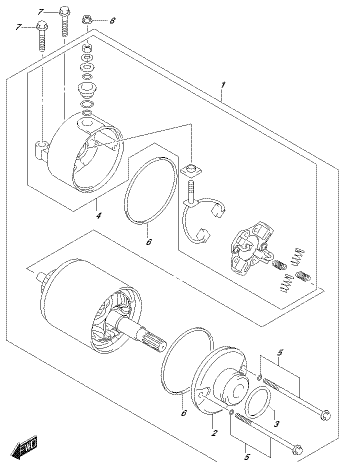
ENC5991_ML_PRL_206A
REV 0001/01

FIG.212A



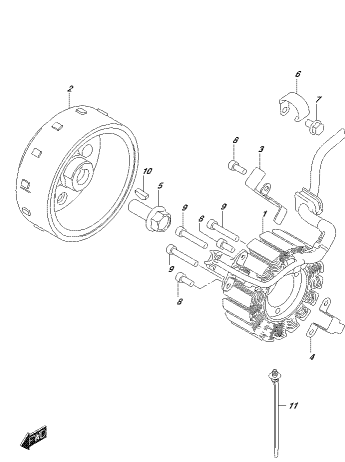
ENC5991_ML_PRL_212A
REV 0001/01

FIG.301A



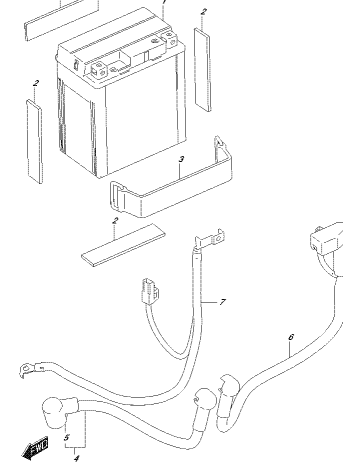
ENC5991_ML_PRL_301A
STARTING MOTOR

FIG.303A



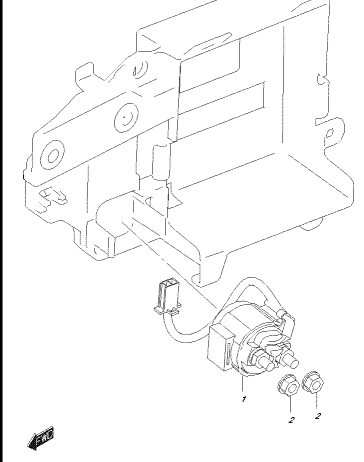
ENC5991_ML_PRL_303A
MAGNET

FIG.310A



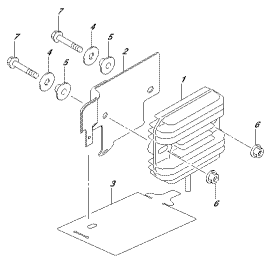
ENC5991_ML_PRL_310A
BATTERY

FIG.311A



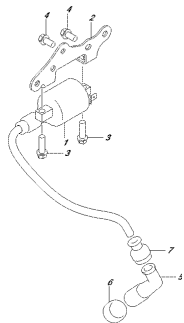
ENC5991_ML_PRL_311A
STARTING RELAY

FIG.313A



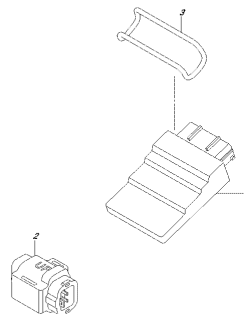
INDISBRI.MI_PRL_313A
RECIPIENT

FIG.316A



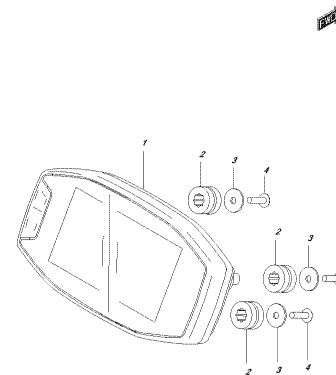
INDISBRI.MI_PRL_316A
EQUIPENT COE

FIG.322A



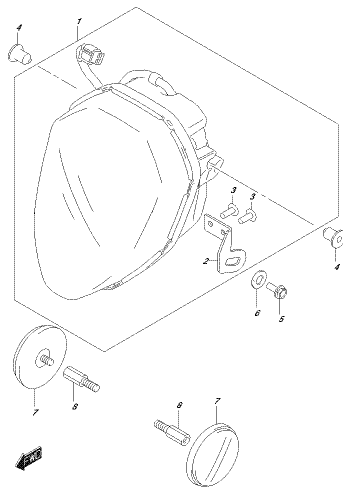
INDISBRI.MI_PRL_322A
ELECTRIC POWER CONTROL UNIT

FIG.330A



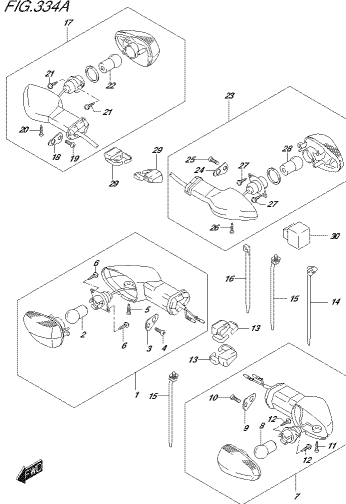
INDISBRI.MI_PRL_330A
SPEEDOMETER

FIG.333A



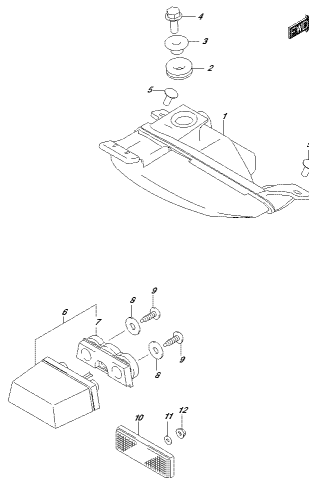
INDISBRI.MI_PRL_333A
HEADLAMP

FIG.334A



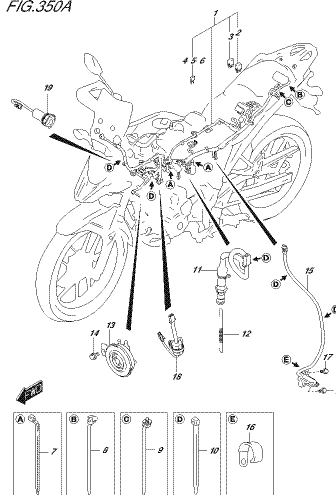
INDISBRI.MI_PRL_334A
TURN SIGNAL LAMP

FIG.339A



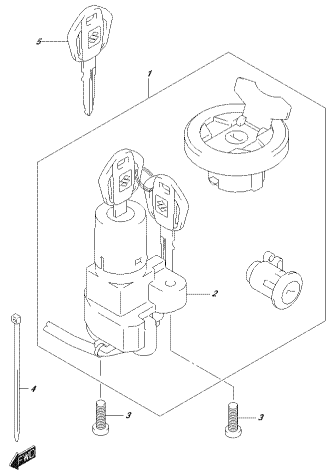
INDISBRI.MI_PRL_339A
REAR CONSTRUCTION LAMP

FIG.350A



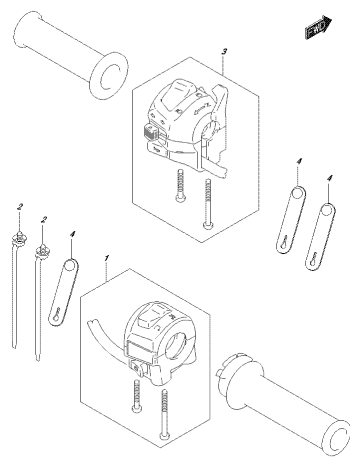
INDISBRI.MI_PRL_350A
WIRING HARNESS

FIG.352A



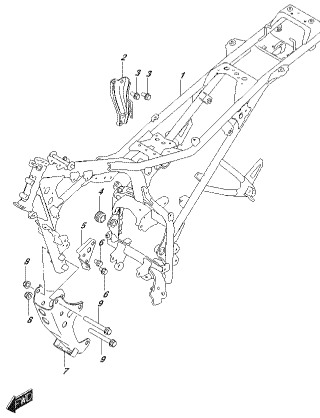
20259161_ML_PRL_0214
10204-027

FIG.355A



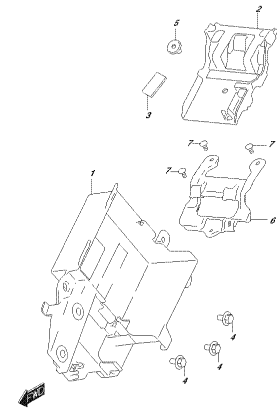
20259161_ML_PRL_0214
10410L0-0007C

FIG.401A



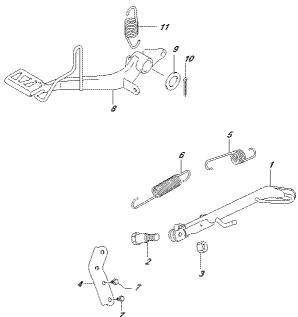
20259161_ML_PRL_0214
F044C

FIG.406A



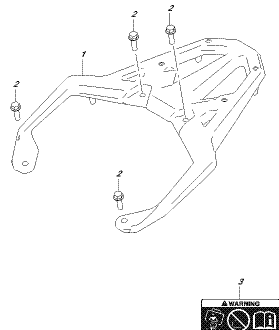
20259161_ML_PRL_0404
1021007

FIG.407A



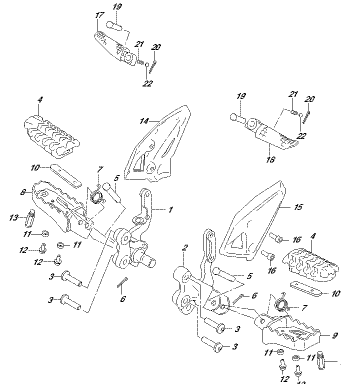
20259161_ML_PRL_0214
07040

FIG.412A



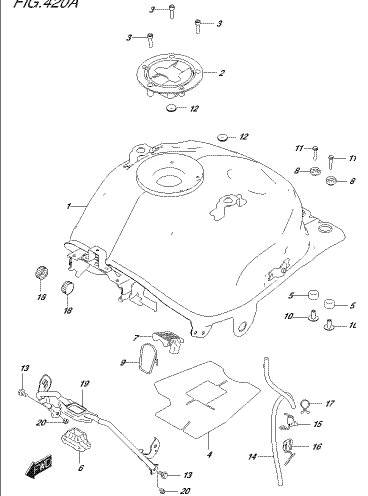
20259161_ML_PRL_1114
E4092E4

FIG.415A



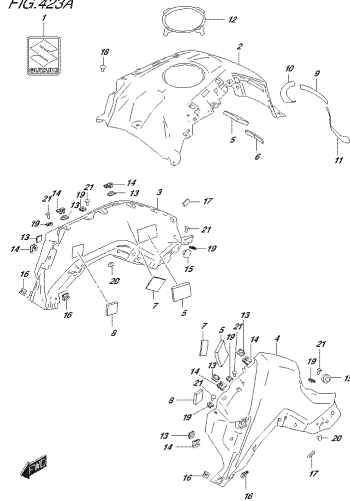
20259161_ML_PRL_1114
F0019E07

FIG.420A



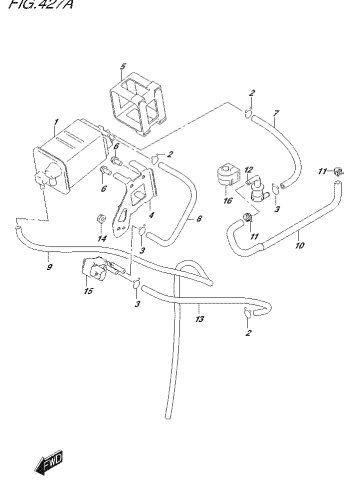
20259161_ML_PRL_0214
FUEL TANK

FIG.423A



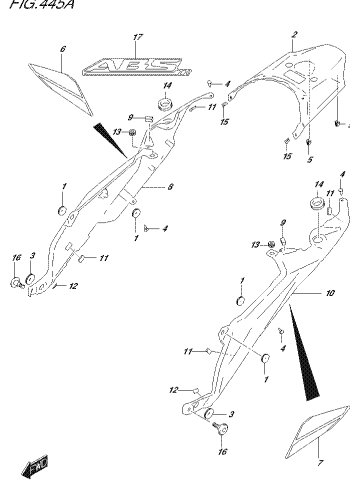
DISBRU_ML_PRL_423A
FILE:JAM/COSES

FIG.427A



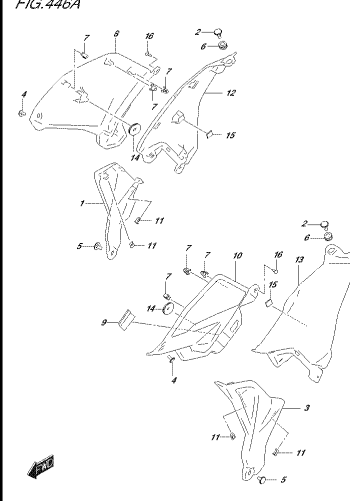
DISBRU_ML_PRL_427A
FILE:SI/STEB

FIG.445A



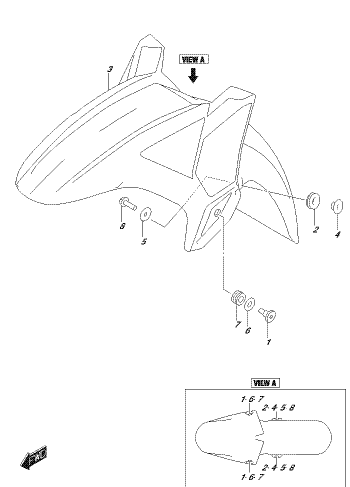
DISBRU_ML_PRL_445A
FRAME:COSES

FIG.446A



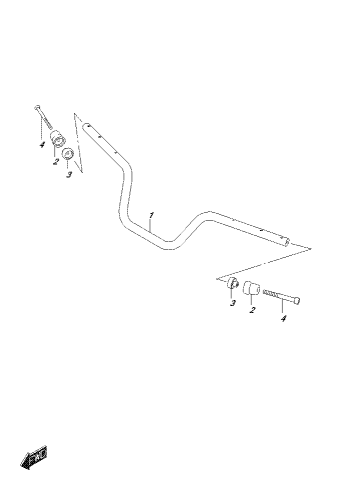
DISBRU_ML_PRL_446A
FRAME:LOWER/COSES

FIG.460A



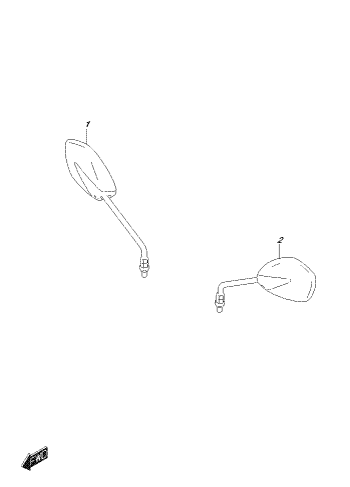
DISBRU_ML_PRL_460A
FRONT FENDER

FIG.462A



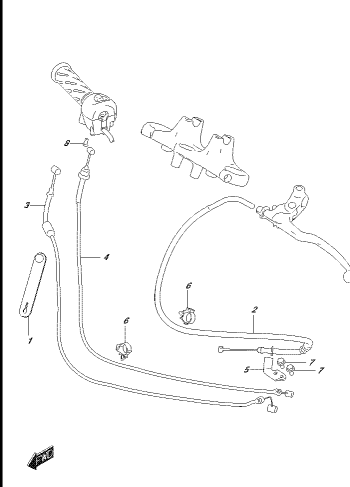
DISBRU_ML_PRL_462A
HANDLEBAR

FIG.464A



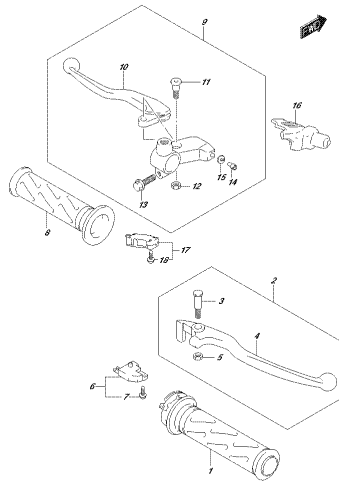
DISBRU_ML_PRL_464A
REAR VIEW MIRROR

FIG.466A



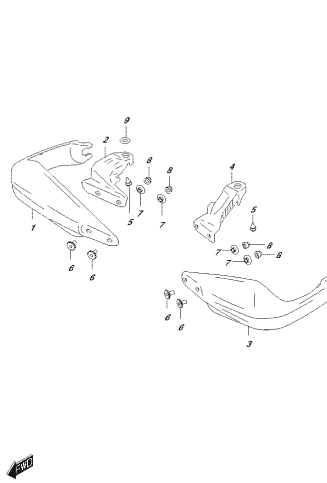
DISBRU_ML_PRL_466A
CONTROL CABLE

FIG.467A



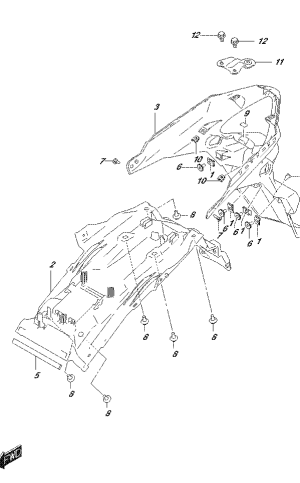
INSTRUM. PRL 467A
INSTRUM. PRL 467A

FIG.472A



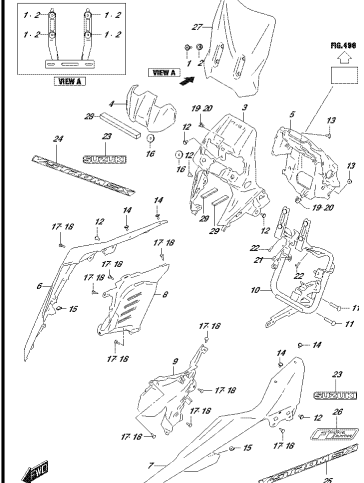
INSTRUM. PRL 472A
INSTRUM. PRL 472A

FIG.474A



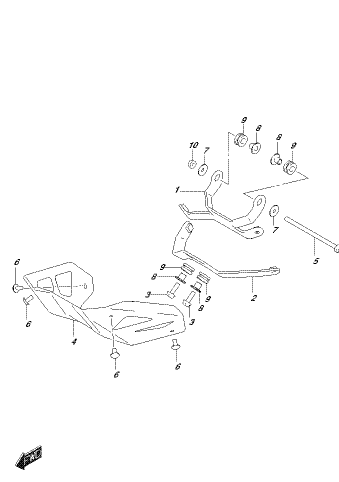
INSTRUM. PRL 474A
INSTRUM. PRL 474A

FIG.481A



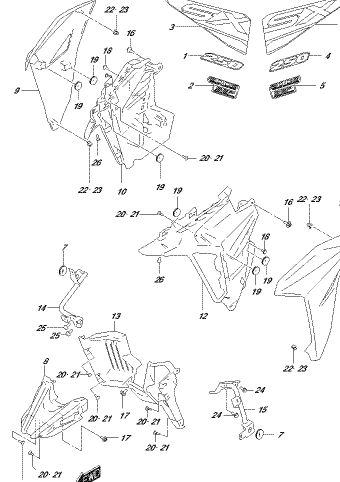
INSTRUM. PRL 481A
INSTRUM. PRL 481A

FIG.483A



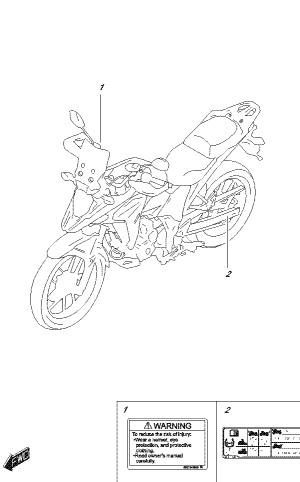
INSTRUM. PRL 483A
INSTRUM. PRL 483A

FIG.485A



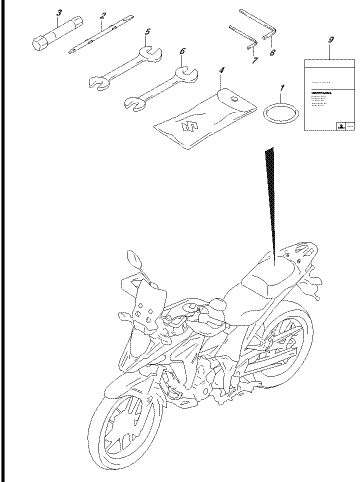
INSTRUM. PRL 485A
INSTRUM. PRL 485A

FIG.496A



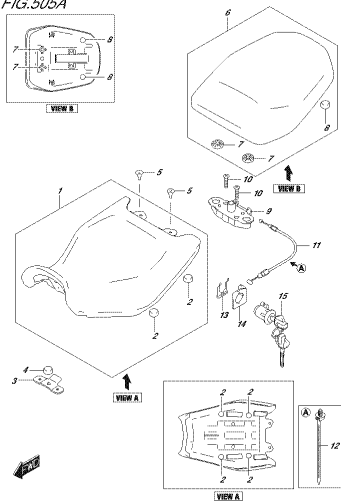
INSTRUM. PRL 496A
INSTRUM. PRL 496A

FIG.497A



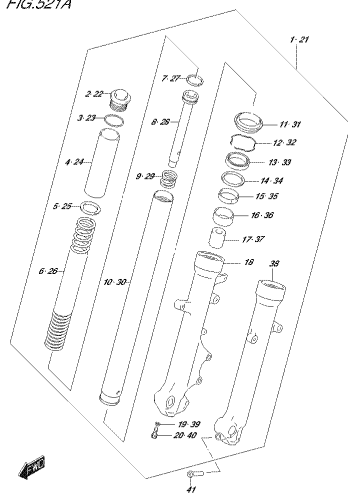
INSTRUM. PRL 497A
INSTRUM. PRL 497A

FIG.505A



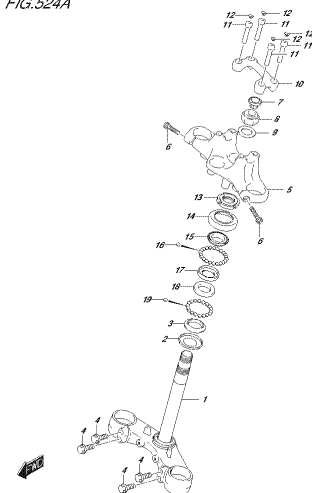
2025914_M_PRL_505A
5047

FIG.521A



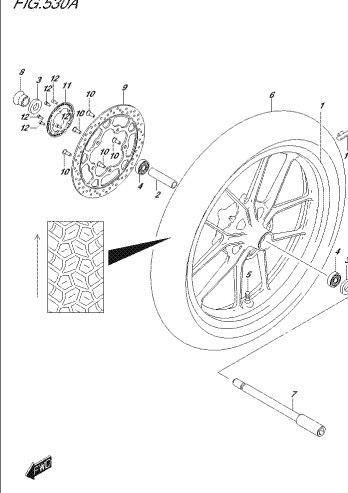
2025914_M_PRL_521A
FRONT FORK/DAWFER

FIG.524A



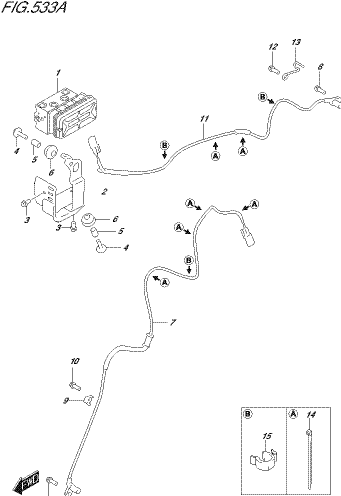
2025914_M_PRL_524A
STEUERUNG/STEER

FIG.530A



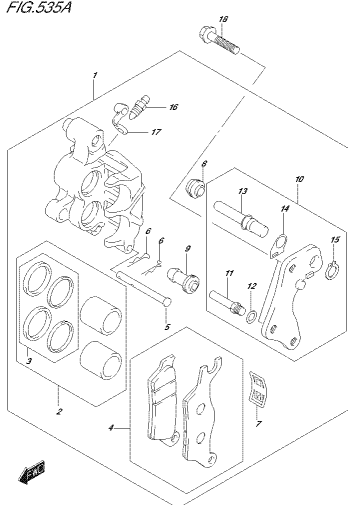
2025914_M_PRL_530A
FRONT WHEEL

FIG.533A



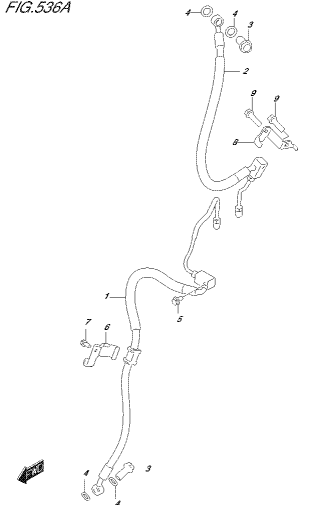
2025914_M_PRL_533A
HYDRAULIC LINE

FIG.535A



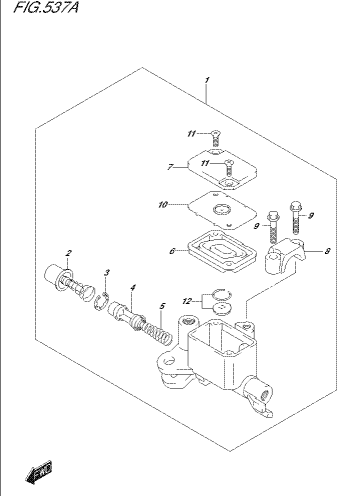
2025914_M_PRL_535A
FRONT CALIPER

FIG.536A



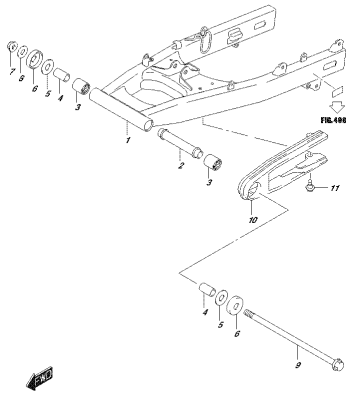
2025914_M_PRL_536A
FRONT BRAKE HOSE

FIG.537A



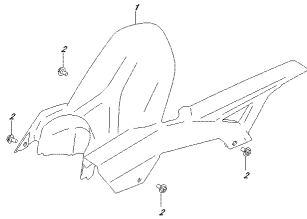
2025914_M_PRL_537A
FRONT MASTER CYLINDER

FIG.541A



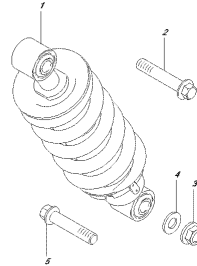
2025910_ML_PRL_541A
REAR SHOCK ABSORBER

FIG.542A



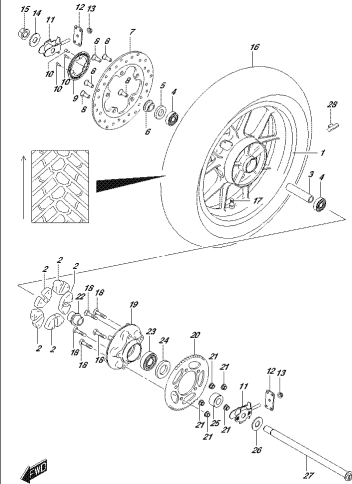
2025910_ML_PRL_542A
SHOCK ABSORBER

FIG.545A



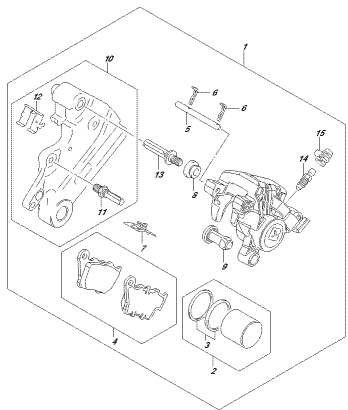
2025910_ML_PRL_545A
REAR SHOCK ABSORBER

FIG.550A



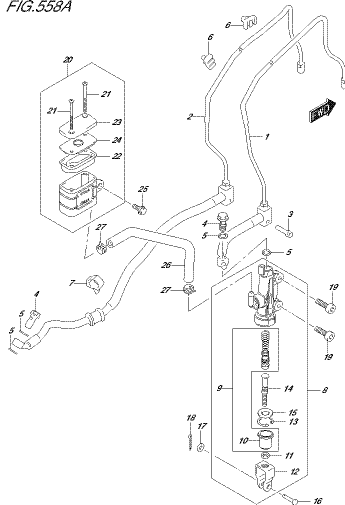
2025910_ML_PRL_550A
REAR WHEEL

FIG.555A



2025910_ML_PRL_555A
REAR CHAMP

FIG.559A



2025910_ML_PRL_559A
REAR MASTER CYLINDER

FIG.101A

FIG.101A (1-B-2) GASKET SET

REF NO.	PART NO.	DESCRIPTION	QTY	REMARKS
1	11402-41840-000	GASKET SET	1	OPT
2	11141-41K00-000	.GASKET, CYLINDER HEAD	1	OPT,NOT ILLUSTRATED
3	11173-41K00-000	.GASKET, CYL HEAD COVER	1	OPT,NOT ILLUSTRATED
4	11241-41K00-000	.GASKET, CYLINDER	1	OPT,NOT ILLUSTRATED
5	11353-41K00-000	.O RING	1	OPT,NOT ILLUSTRATED
6	11482-41K00-000	.GASKET, CLUTCH COVER	1	OPT,NOT ILLUSTRATED
7	11483-41K00-000	.GASKET, MAGNETO COVER	1	OPT,NOT ILLUSTRATED
8	12837-24A30-000	.GASKET, TENSIONER ADJUSTER	1	OPT,NOT ILLUSTRATED
9	14181-14D10-000	.GASKET, EXHAUST PIPE (NA)	1	OPT,NOT ILLUSTRATED
10	09280-26005-000	.O RING (D:2.4,ID:26.2)	1	OPT,NOT ILLUSTRATED
11	09280-54001-000	.O RING (D:2.4,ID:52.6)	1	OPT,NOT ILLUSTRATED

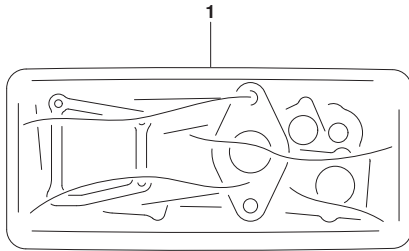


FIG.102A

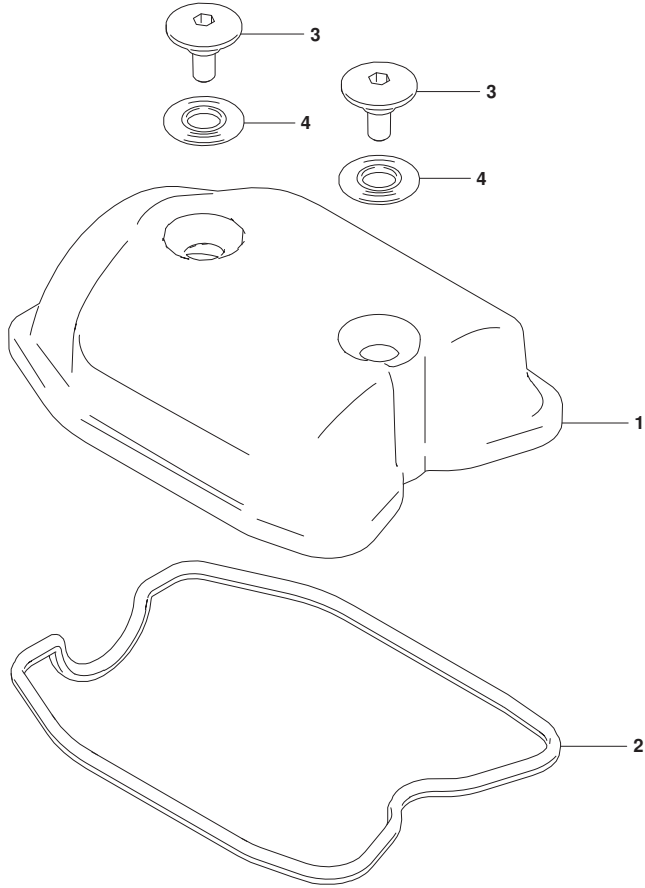


FIG.102A (1-B-3) CYLINDER HEAD COVER

REF NO.	PART NO.	DESCRIPTION	Q'TY	REMARKS
1	11171-41K00-000	COVER, CYLINDER HEAD	1	
2	11173-41K00-000	GASKET, CYL HEAD COVER	1	
3	09106-07027-000	BOLT (L6.5)	2	
4-1	11191-27E00-000	WASHER, CYL HEAD COVER (10.6X25.5X1.6)	2	UCHIYAMA
4-2	11191-27E70-000	WASHER, CYL HEAD COVER (10.6X25.5X1.6)	2	NOK



FIG.103A

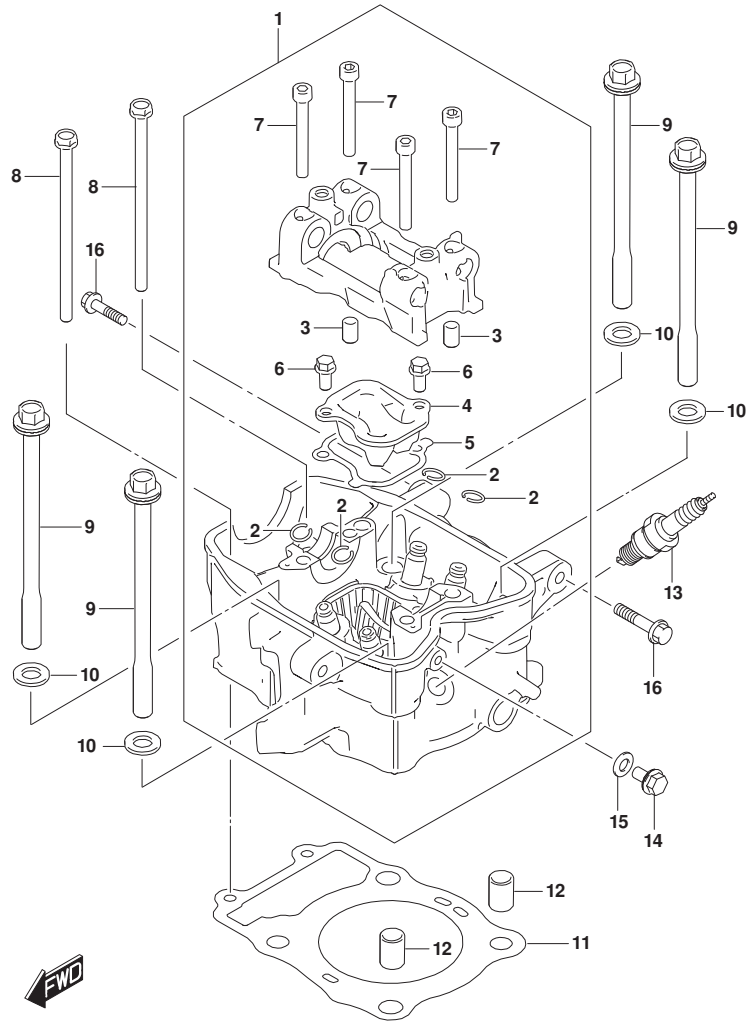


FIG.103A (1-B-4) CYLINDER HEAD

REF NO.	PART NO.	DESCRIPTION	Q'TY	REMARKS
1	11100-41K00-000	HEAD ASSY, CYLINDER	1	
2	09381-10004-000	.RING (10X85)	4	
3	09206-08008-000	.PIN (6.3X8X12)	2	
4	11181-41K00-000	.LID, OIL JACKET	1	
5	11182-41K00-000	.GASKET, OIL JACKET LID	1	
6	01547-0612A-000	.BOLT	2	
7	07130-0650A-000	.BOLT	4	
8	09103-06545-000	BOLT (6X115)	2	
9	09103-10470-000	BOLT (10X145)	4	
10	09160-10164-000	WASHER (10.5X19X2)	4	
11	11141-41K00-000	GASKET, CYLINDER HEAD	1	
12	04211-13189-000	PIN	2	
13	09482-00646-000	SPARK PLUG (MR8E-9)	1	NGK
14	01550-0612A-000	BOLT	1	
15	09168-06018-000	GASKET (6.2X13X1.2)	1	
16	01550-0820B-000	BOLT	2	

FIG.107A

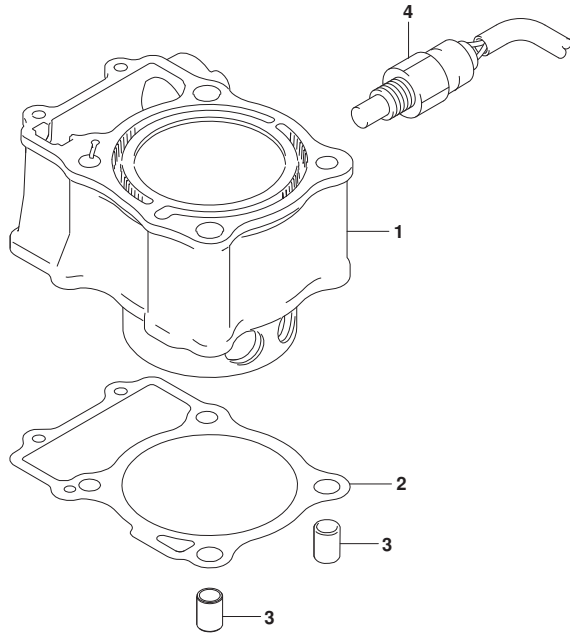


FIG.107A (1-B-5) CYLINDER

REF NO.	PART NO.	DESCRIPTION	Q'TY	REMARKS
1	11210-41K00-0F0	CYLINDER	1	
2	11241-41K00-000	GASKET, CYLINDER	1	
3	04211-13189-000	PIN	2	
4	13640-41K00-000	SENSOR, ENGINE TEMP	1	



FIG.108A

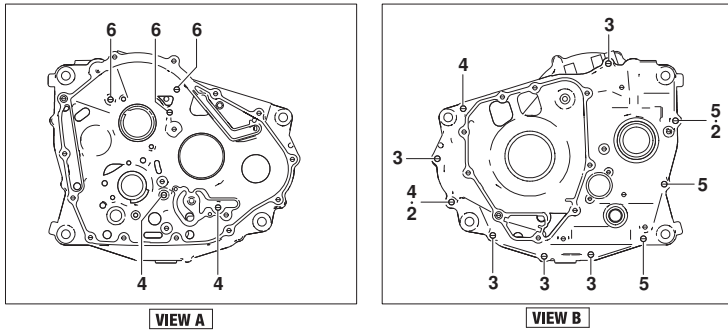


FIG.108A (1-B-6) CRANKCASE

REF NO.	PART NO.	DESCRIPTION	Q'TY	REMARKS
1	11300-41881-000	CRANKCASE SET	1	
2	04211-09149-000	.PIN	2	
3	01547-0645A-000	.BOLT	5	
4	01547-0655A-000	.BOLT	4	
5	01547-0665A-000	.BOLT	3	
6	01547-0680A-000	.BOLT	3	
7	11323-41K00-000	SEPARATOR, CRANKCASE OIL	1	
8	01547-0612A-000	BOLT	4	
9	11390-41K00-000	JET, PISTON COOLING	1	
10	01547-0612A-000	BOLT	1	
11	01547-0612A-000	BOLT	1	
12	09168-06004-000	GASKET (6.2X11X1.2)	1	
13	09247-12106-000	PLUG (12X20)	1	OIL DRAIN
14	09168-12L02-000	GASKET (12.27X16.97X3.56)	1	
15	09103-10077-000	BOLT (10X140)	2	
16	09103-10709-000	BOLT (10X85)	2	
17	08319-3110B-000	NUT	4	

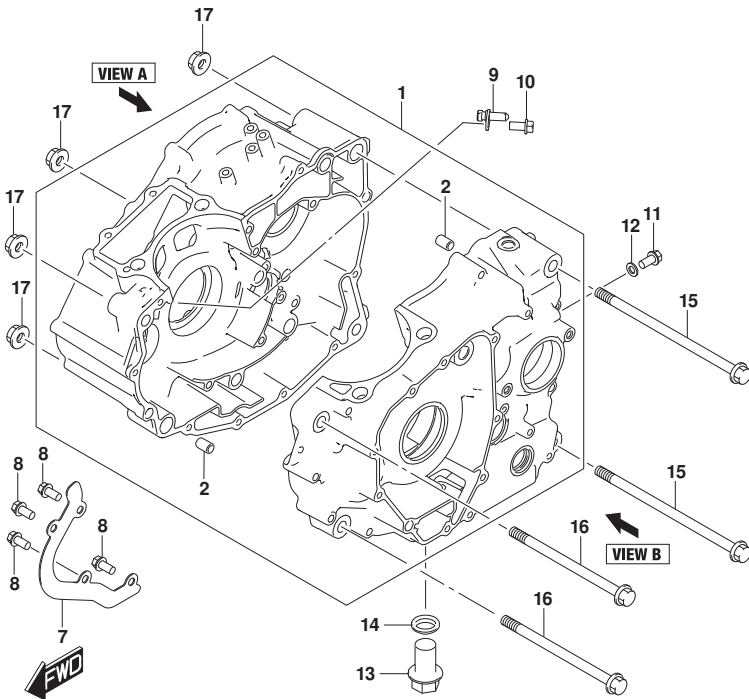


FIG.112A

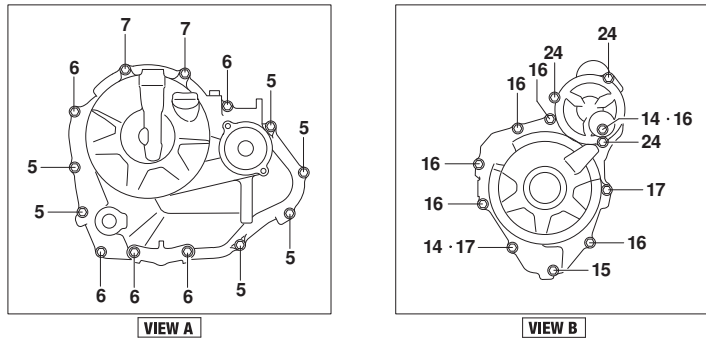


FIG.112A (1-B-7) CRANKCASE COVER

REF NO.	PART NO.	DESCRIPTION	Q'TY	REMARKS
1	11340-41K00-000	COVER, CLUTCH	1	
2	11971-45010-000	.LENS, OIL LEVEL CHECK	1	
3	11482-41K00-000	GASKET, CLUTCH COVER	1	
4	04211-09149-000	PIN	2	
5	01547-0625A-000	BOLT	6	
6	01547-0635A-000	BOLT	5	
7	01547-0645A-000	BOLT	2	
8	01550-0812B-000	BOLT	1	
9	09168-08015-000	GASKET (8.2X14X1.6)	1	
10	11971-30H00-000	PLUG, OIL FILLER	1	
11	09280-17003-000	O RING (D:3.1,ID:16.8)	1	
12	11351-41K00-000	COVER, MAGNETO	1	
13	11483-41K00-000	GASKET, MAGNETO COVER	1	
14	04211-09149-000	PIN	2	
15	01547-0625A-000	BOLT	1	
16	01547-0635A-000	BOLT	6	
17	01547-0645A-000	BOLT	2	
18	09259-26035-000	PLUG	1	
19	09280-22008-000	O RING (D:3.1,ID:22.7)	1	
20	09247-14054-000	PLUG (14X12)	1	
21	09168-14002-000	GASKET (13.8X18.8X4.8)	1	
22	11352-41K00-000	COVER, STARTER IDLE GEAR	1	
23	11353-41K00-000	O RING	1	
24	01547-0616A-000	BOLT	3	
25	11360-41K00-000	COVER, ENG SPROCKET	1	
26	01547-0625A-000	BOLT	2	

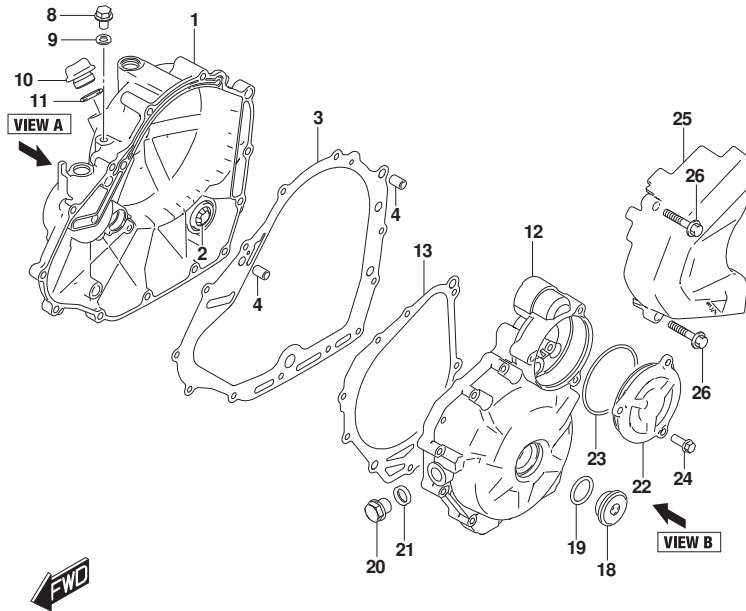


FIG.120A

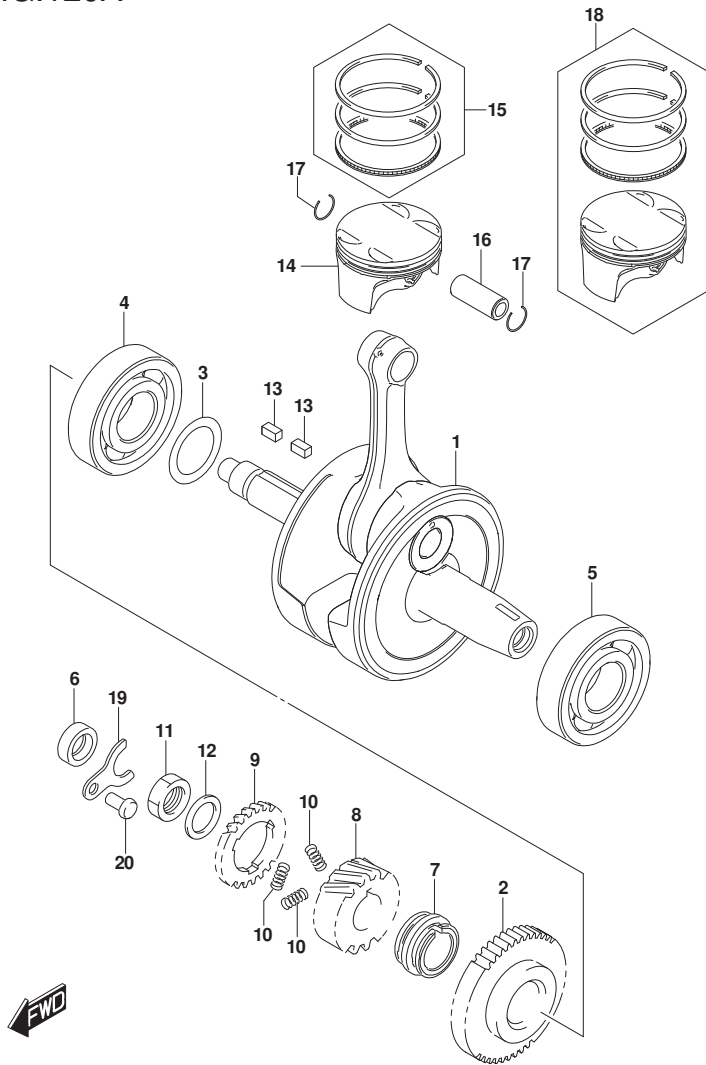


FIG.120A (1-B-8) CRANKSHAFT

REF NO.	PART NO.	DESCRIPTION	Q'TY	REMARKS
1	12200-41K00-000	CRANKSHAFT ASSY	1	
2	12661-41K00-000	GEAR, CRANK BALANCER DRIVE (NT:40)	1	
3-1	09181-28187-000	SHIM (T:0.6)	1	
3-2	09181-28021-000	SHIM (T:0.65)	1	
3-3	09181-28188-000	SHIM (T:0.7)	1	
3-4	09181-28189-000	SHIM (T:0.75)	1	
3-5	09181-28190-000	SHIM (T:0.8)	1	
3-6	09181-28191-000	SHIM (T:0.85)	1	
3-7	09181-28192-000	SHIM (T:0.90)	1	
3-8	09181-28193-000	SHIM (T:0.95)	1	
3-9	09181-28194-000	SHIM (T:1.00)	1	
3-10	09181-28197-000	SHIM (T:1.05)	1	
3-11	09181-28200-000	SHIM (T:1.10)	1	
3-12	09181-28202-000	SHIM (T:1.15)	1	
3-13	09181-28204-000	SHIM (T:1.20)	1	
3-14	09181-28207-000	SHIM (T:1.25)	1	
3-15	09181-28209-000	SHIM (T:1.30)	1	
4	09262-28060-000	BEARING (28X68X18)	1	
5	09262-28061-000	BEARING (28X68X18)	1	
6	09282-12013-000	OIL SEAL (12X21X7)	1	
7	12731-41K00-000	SPROCKET, CAM CHAIN DRIVE (NT:17)	1	
8	21111-41KA0-000	GEAR, PRIMARY DRIVE (NT:23)	1	
9	21112-41KA0-000	GEAR, PRIMARY DRIVE SCISSORS (NT:23)	1	
10	21114-41K00-000	SPRING, PRI DRIVE GEAR	3	
11	09140-18004-000	NUT (M18)	1	
12	09160-18044-000	WASHER (18X32X2)	1	
13	09421-05011-000	KEY	2	
14	12111-41K10-0F0	PISTON	1	
15	12140-41K00-000	RING SET, PISTON	1	
16	12151-41K00-000	PIN, PISTON	1	
17	09381-17005-000	CIRCLIP (OD:19.8)	2	
18	12100-41K10-050	PISTON SET (OS:0.5)	1	OPT

FIG.120A

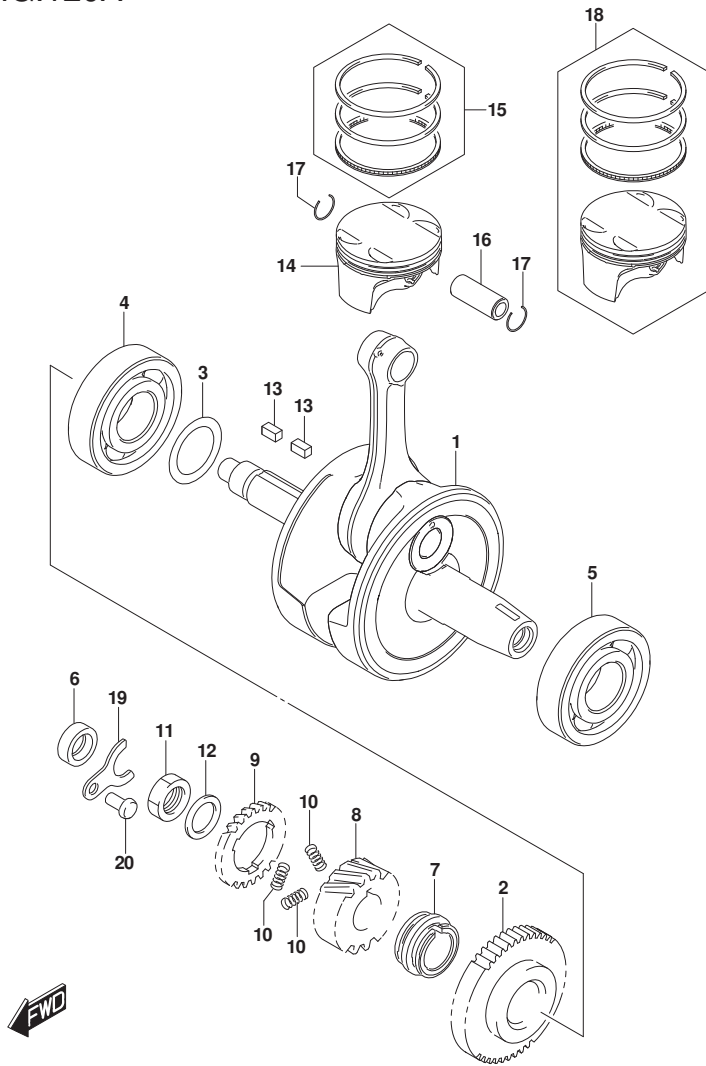


FIG.120A (1-B-9) CRANKSHAFT

REF NO.	PART NO.	DESCRIPTION	Q'TY	REMARKS
19	12541-41K10-000	RETAINER, CRANKSHAFT OIL SEAL RH	1	
20	01547-0612A-000	BOLT	1	

FIG.122A

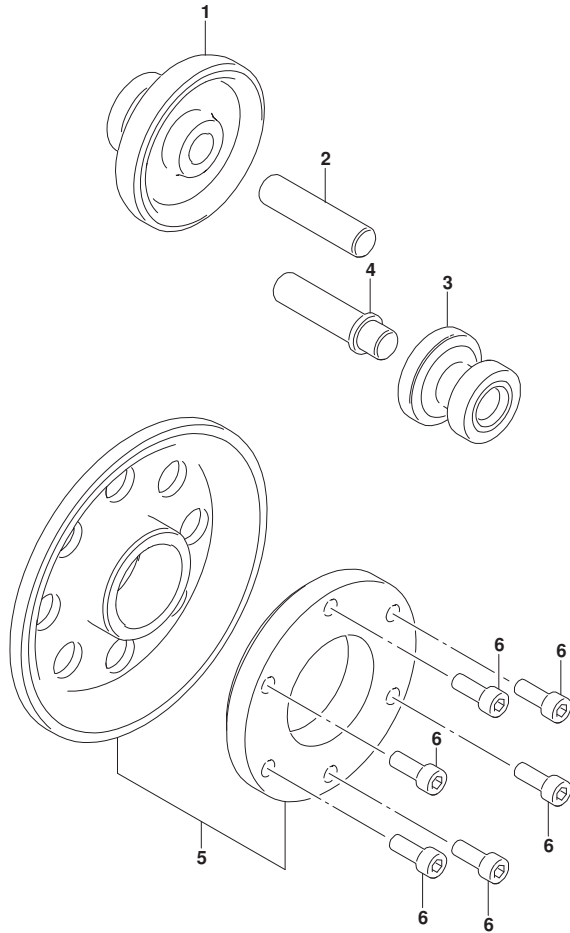


FIG.122A (1-B-10) STARTER CLUTCH

REF NO.	PART NO.	DESCRIPTION	Q'TY	REMARKS
1	12611-41K00-000	GEAR, STARTER IDLE NO.1 (NT:13/65)	1	
2	09202-12003-000	PIN (12X50.5)	1	
3	12612-41K00-000	GEAR, STARTER IDLE NO.2 (NT:12/16)	1	
4	12616-41K00-000	SHAFT, STARTER IDLE GEAR NO.2	1	
5	12600-41870-000	CLUTCH SET, STARTER (NT:61)	1	
6	07130-0616A-000	BOLT	6	

FIG.124A

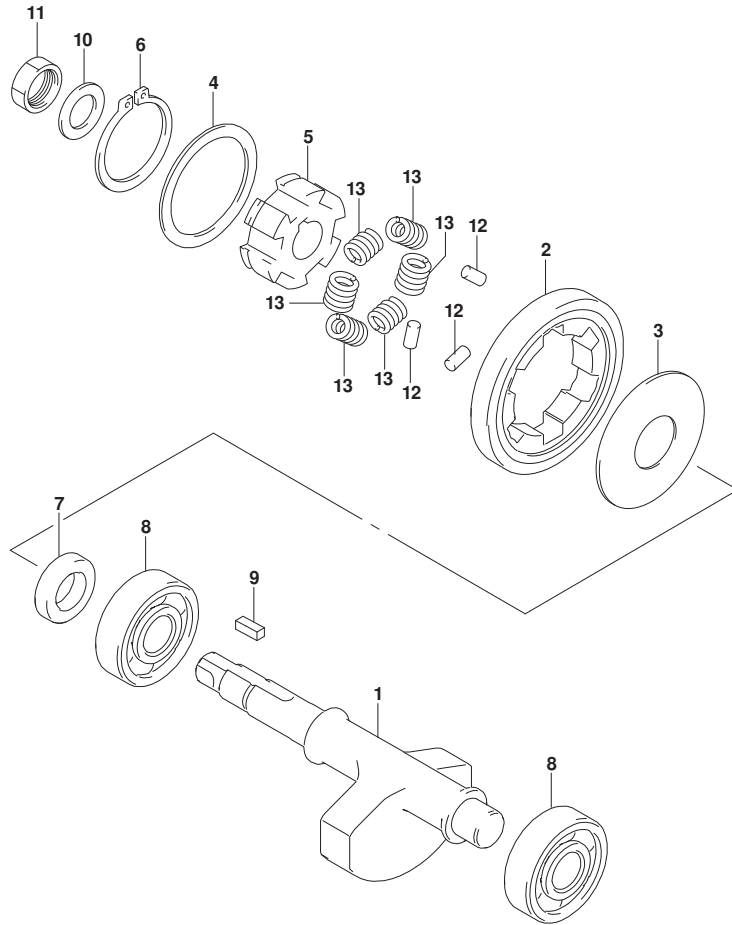


FIG.124A (1-B-11) CRANK BALANCER

REF NO.	PART NO.	DESCRIPTION	Q'TY	REMARKS
1	12651-41K00-000	BALANCER, CRANK	1	
2	12666-41K00-000	GEAR, CRK BAL DRIVEN (NT:44)	1	
3	12662-41K00-000	WASHER, CRK BAL DRIVEN GR NO.1	1	
4	12662-41K10-000	WASHER, CRK BAL DRIVEN GR NO.2	1	
5	12669-41K00-000	RACE, CRK BAL DRIVEN GEAR INNER	1	
6	08331-31409-000	CIRCLIP	1	
7	12668-34J00-000	SPACER, CRANK BAL DRN GEAR (NT:19)	1	
8	09262-15060-000	BEARING (15X42X13)	2	
9	09421-05011-000	KEY	1	
10	08211-14242-000	WASHER	1	
11	09140-14022-000	NUT (NT:24)	1	
12	09202-04017-000	PIN (4.5X9.5)	3	
13	12663-41K00-000	SPRING, CRANK BAL DRIVEN GEAR	6	

FIG.126A

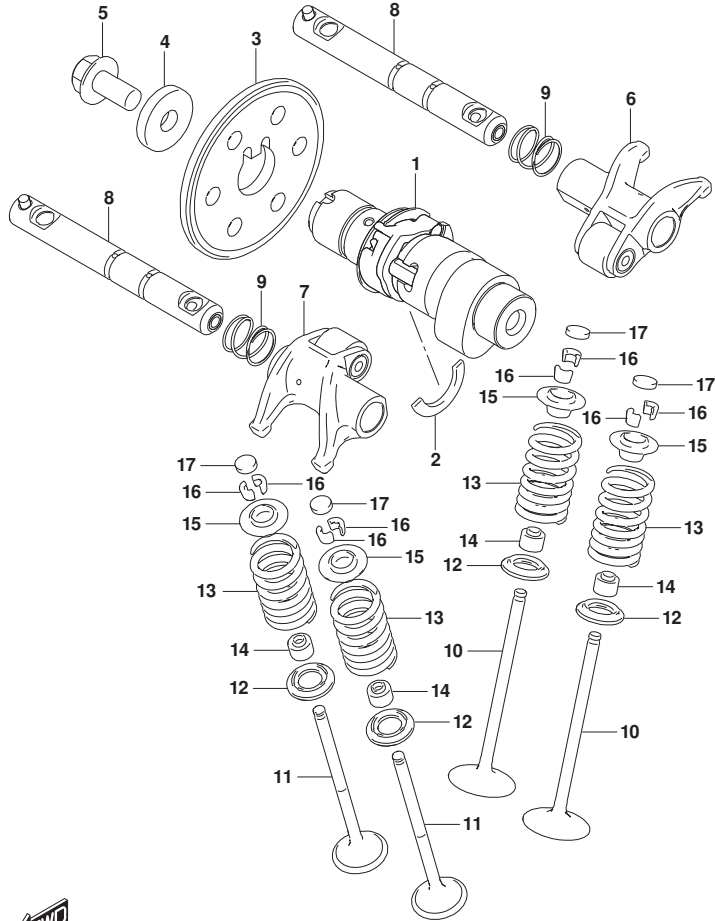


FIG.126A (1-B-12) CAMSHAFT/VALVE

REF NO.	PART NO.	DESCRIPTION	Q'TY	REMARKS
1	12710-41K00-000	CAMSHAFT ASSY	1	
2	09390-22002-000	C-RING	1	
3	12741-41K00-000	SPROCKET, CAMSHAFT (NT:34)	1	
4	09160-08176-000	WASHER (8X23X4)	1	
5	12742-41K00-000	BOLT, SPROCKET	1	
6	12841-41K00-000	ARM, VALVE ROCKER INTAKE	1	
7	12851-41K00-000	ARM, VALVE ROCKER EXHAUST	1	
8	12860-41K00-000	SHAFT, VALVE ROCKER ARM	2	
9	12867-41K00-000	SPRING, VALVE ROCKER ARM	2	
10	12911-41K00-000	VALVE, INTAKE	2	
11	12912-41K00-000	VALVE, EXHAUST	2	
12	12933-09G00-000	SEAT, VALVE SPRING	4	
13	12921-41K00-000	SPRING, VALVE	4	
14	09289-05019-000	OIL SEAL (4X10X8)	4	
15	12931-41K00-000	RETAINER, VALVE SPRING	4	
16	12932-09G10-000	COTTER VALVE (NT:23)	8	
17-1	12892-35G00-150	SHIM, TAPPET (T:1.50)	4	
17-2	12892-35G00-152	SHIM, TAPPET (T:1.52)	4	
17-3	12892-35G00-155	SHIM, TAPPET (T:1.55)	4	
17-4	12892-35G00-158	SHIM, TAPPET (T:1.58)	4	
17-5	12892-35G00-160	SHIM, TAPPET (T:1.60)	4	
17-6	12892-35G00-162	SHIM, TAPPET (T:1.62)	4	
17-7	12892-35G00-165	SHIM, TAPPET (T:1.65)	4	
17-8	12892-35G00-168	SHIM, TAPPET (T:1.68)	4	
17-9	12892-35G00-170	SHIM, TAPPET (T:1.70)	4	
17-10	12892-35G00-172	SHIM, TAPPET (T:1.72)	4	
17-11	12892-35G00-175	SHIM, TAPPET (T:1.75)	4	
17-12	12892-35G00-178	SHIM, TAPPET (T:1.78)	4	
17-13	12892-35G00-180	SHIM, TAPPET (T:1.80)	4	
17-14	12892-35G00-182	SHIM, TAPPET (T:1.82)	4	
17-15	12892-35G00-185	SHIM, TAPPET (T:1.85)	4	
17-16	12892-35G00-188	SHIM, TAPPET (T:1.88)	4	
17-17	12892-35G00-190	SHIM, TAPPET (T:1.90)	4	
17-18	12892-35G00-192	SHIM, TAPPET (T:1.92)	4	
17-19	12892-35G00-195	SHIM, TAPPET (T:1.95)	4	
17-20	12892-35G00-198	SHIM, TAPPET (T:1.98)	4	

FIG.126A

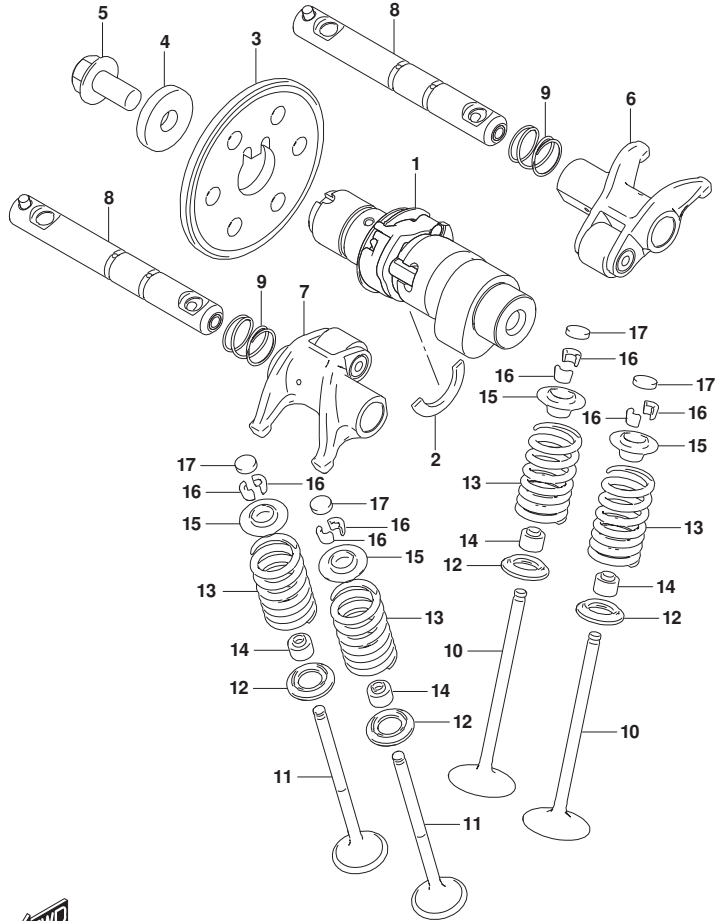


FIG.126A (1-B-13) CAMSHAFT/VALVE

REF NO.	PART NO.	DESCRIPTION	Q'TY	REMARKS
17-21	12892-35G00-200	SHIM, TAPPET (T:2.00)	4	
17-22	12892-35G00-202	SHIM, TAPPET (T:2.02)	4	
17-23	12892-35G00-205	SHIM, TAPPET (T:2.05)	4	
17-24	12892-35G00-208	SHIM, TAPPET (T:2.08)	4	
17-25	12892-35G00-210	SHIM, TAPPET (T:2.10)	4	
17-26	12892-35G00-212	SHIM, TAPPET (T:2.12)	4	
17-27	12892-35G00-215	SHIM, TAPPET (T:2.15)	4	
17-28	12892-35G00-218	SHIM, TAPPET (T:2.18)	4	
17-29	12892-35G00-220	SHIM, TAPPET (T:2.20)	4	
17-30	12892-35G00-222	SHIM, TAPPET (T:2.22)	4	
17-31	12892-35G00-225	SHIM, TAPPET (T:2.25)	4	
17-32	12892-35G00-228	SHIM, TAPPET (T:2.28)	4	
17-33	12892-41C00-230	SHIM, TAPPET (T:2.30)	4	
17-34	12892-41C00-232	SHIM, TAPPET (T:2.32)	4	
17-35	12892-41C00-235	SHIM, TAPPET (T:2.35)	4	
17-36	12892-41C00-238	SHIM, TAPPET (T:2.38)	4	
17-37	12892-41C00-240	SHIM, TAPPET (T:2.40)	4	
17-38	12892-41C00-242	SHIM, TAPPET (T:2.42)	4	
17-39	12892-41C00-245	SHIM, TAPPET (T:2.45)	4	
17-40	12892-41C00-248	SHIM, TAPPET (T:2.48)	4	
17-41	12892-41C00-250	SHIM, TAPPET (T:2.50)	4	
17-42	12892-41C00-252	SHIM, TAPPET (T:2.52)	4	
17-43	12892-41C00-255	SHIM, TAPPET (T:2.55)	4	
17-44	12892-41C00-258	SHIM, TAPPET (T:2.58)	4	
17-45	12892-41C00-260	SHIM, TAPPET (T:2.60)	4	
17-46	12892-41C00-262	SHIM, TAPPET (T:2.62)	4	
17-47	12892-41C00-265	SHIM, TAPPET (T:2.65)	4	
17-48	12892-41C00-268	SHIM, TAPPET (T:2.68)	4	
17-49	12892-41C00-270	SHIM, TAPPET (T:2.70)	4	
17-50	12892-41C00-272	SHIM, TAPPET (T:2.72)	4	
17-51	12892-41C00-275	SHIM, TAPPET (T:2.75)	4	
17-52	12892-41C00-278	SHIM, TAPPET (T:2.78)	4	
17-53	12892-41C00-280	SHIM, TAPPET (T:2.80)	4	
17-54	12892-41C00-282	SHIM, TAPPET (T:2.82)	4	
17-55	12892-41C00-285	SHIM, TAPPET (T:2.85)	4	
17-56	12892-41C00-288	SHIM, TAPPET (T:2.88)	4	

FIG.126A

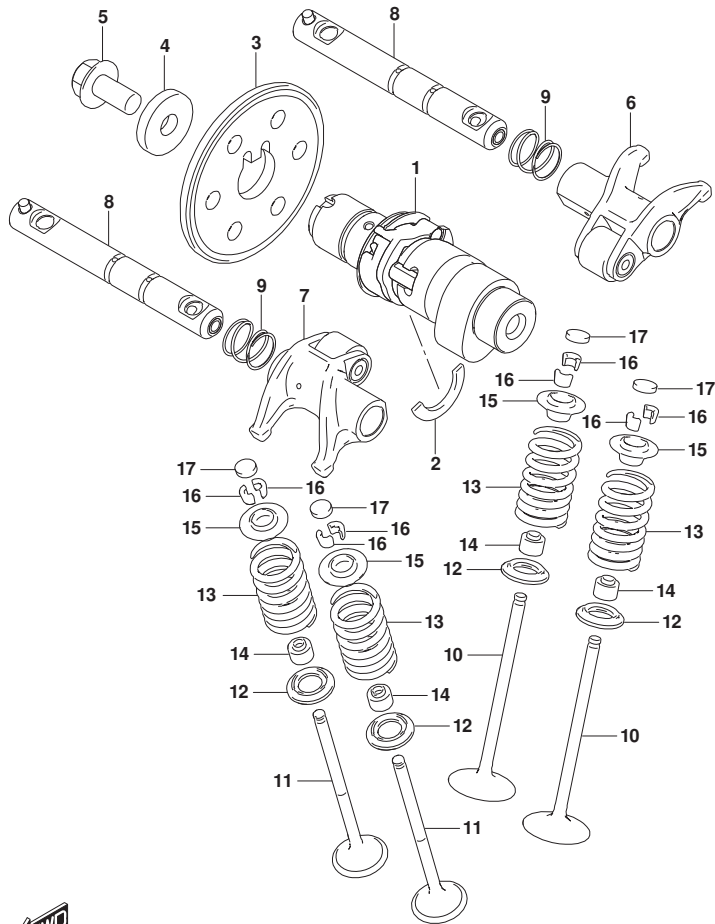


FIG.126A (1-B-14) CAMSHAFT/VALVE

REF NO.	PART NO.	DESCRIPTION	Q'TY	REMARKS
17-57	12892-41C00-290	SHIM, TAPPET (T:2.90)	4	
17-58	12892-41C00-292	SHIM, TAPPET (T:2.92)	4	
17-59	12892-41C00-295	SHIM, TAPPET (T:2.95)	4	
17-60	12892-41C00-298	SHIM, TAPPET (T:2.98)	4	
17-61	12892-41C00-300	SHIM, TAPPET (T:3.00)	4	
18	12800-35820-000	SHIM SET, TAPPET (5PCS. EACH)	1	OPT,NOT ILLUSTRATED
19	99000-69471-000	.CASE, TAPPET SHIM	2	OPT,NOT ILLUSTRATED

FIG.127A

FIG.127A (1-C-2) CAM CHAIN

REF NO.	PART NO.	DESCRIPTION	Q'TY	REMARKS
1	12760-41K00-000	CHAIN, CAMSHAFT DRIVE	1	
2	12771-41K00-000	GUIDE, CAM CHAIN	1	
3	12811-41K00-000	TENSIONER, CAM CHAIN	1	
4	12812-41K10-000	BOLT, CAM CHAIN TENSIONER	1	
5	12830-41K00-000	ADJUSTER ASSY, TENSIONER	1	
6	12835-41K00-000	.WASHER, ADJUSTER END	1	
7	12836-41K00-000	.BOLT, ADJUSTER END	1	
8	12837-24A30-000	GASKET, TENSIONER ADJUSTER	1	
9	01547-0625B-000	BOLT	2	

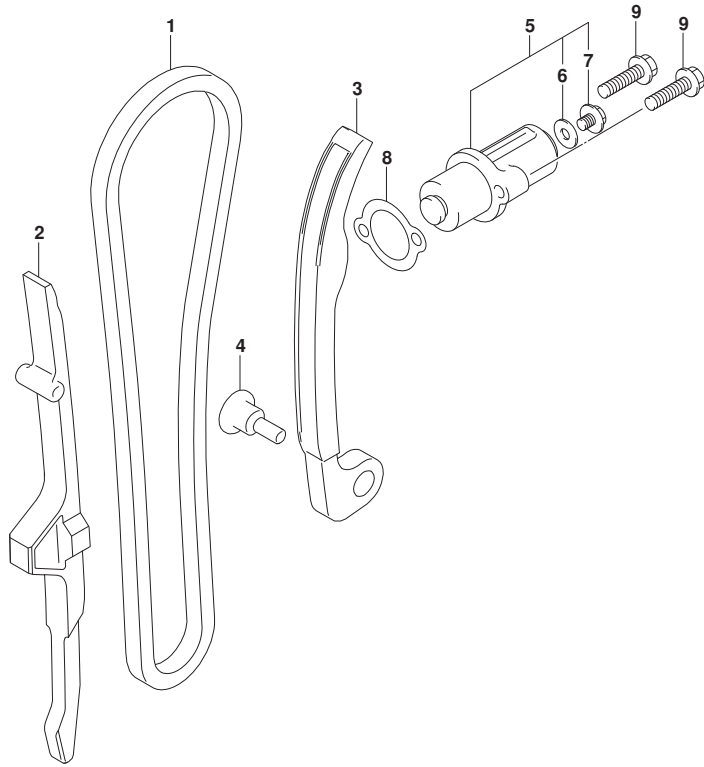


FIG.140A

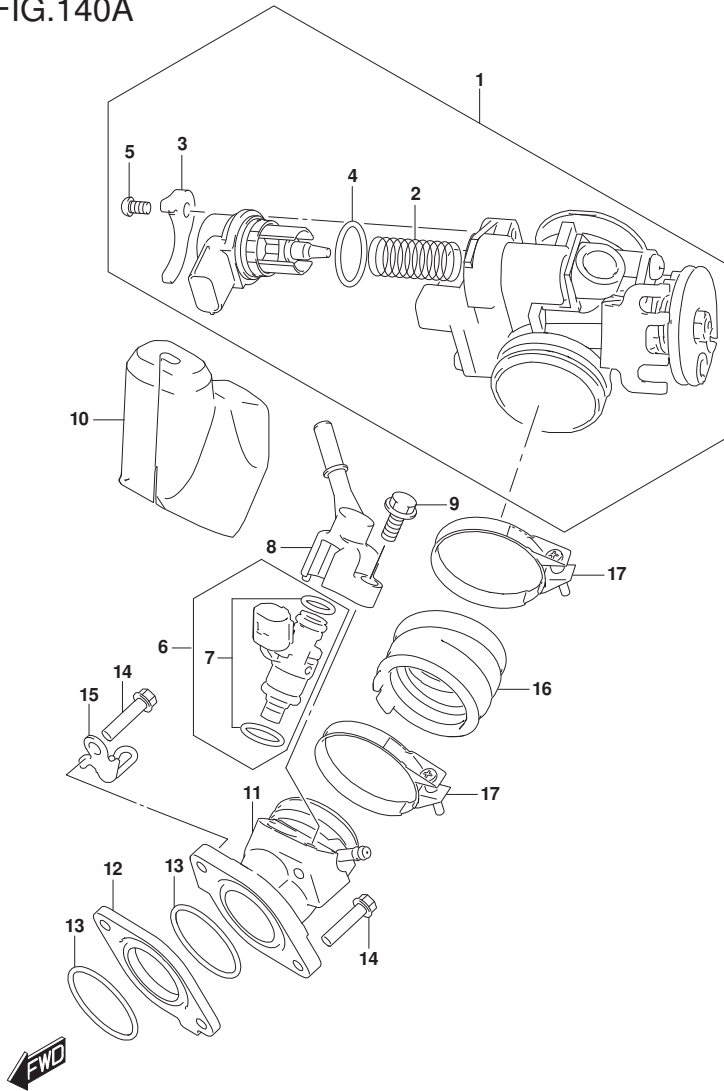


FIG.140A (1-C-3) THROTTLE BODY

REF NO.	PART NO.	DESCRIPTION	Q'TY	REMARKS
1	13400-41K00-000	BODY ASSY, THROTTLE	1	
2	13417-09JA0-000	.SPRING	1	
3	13421-42J00-000	.PLATE	1	
4	13438-09JA0-000	.O RING	1	
5	13602-06128-000	.SCREW	1	
6	15710-41K00-000	INJECTOR, ASSY FUEL	1	
7	15720-41810-000	.O RING & GROMMET SET	1	
8	15830-41K00-000	JOINT, FUEL HOSE	1	
9	01547-0620A-000	BOLT	1	
10	15719-41K00-000	COVER, FUEL INJECTOR	1	
11	13110-41K00-000	PIPE, INTAKE NO.1	1	
12	13128-41K00-000	INSULATOR, INTAKE PIPE	1	
13	09280-40021-000	O RING (D:2.4, ID:39.7)	2	
14	01547-0625A-000	BOLT	2	
15	18570-41K00-000	GUIDE, LEAD WIRE	1	
16	13121-41K00-000	PIPE, INTAKE NO.2	1	
17	13170-41K00-000	CLAMP, INTAKE PIPE	2	

FIG.155A

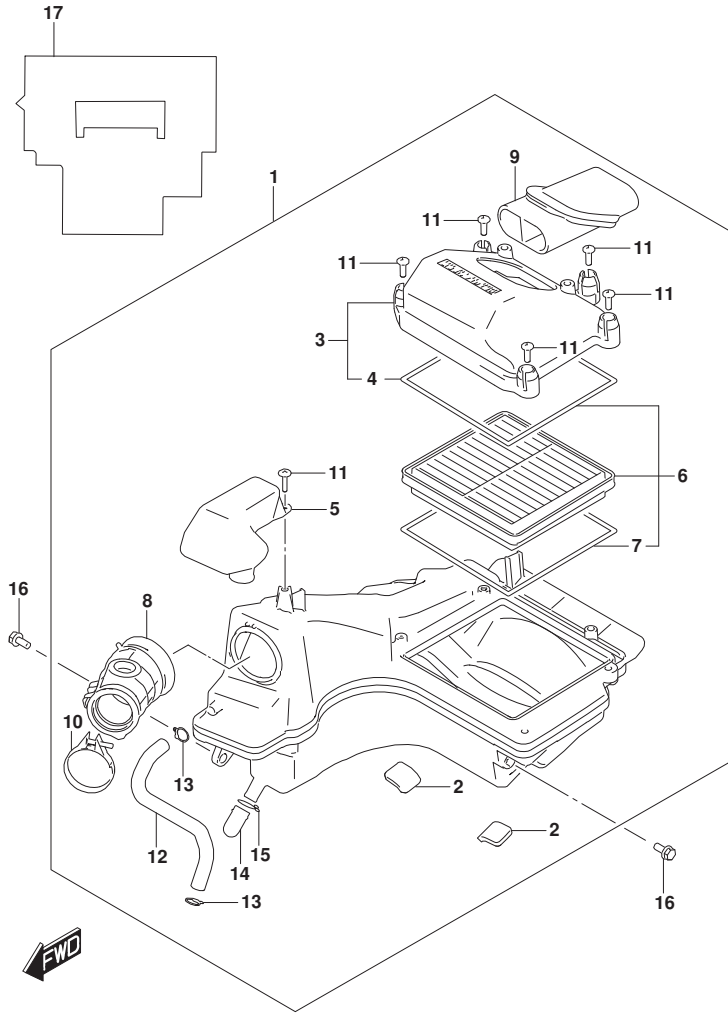


FIG.155A (1-C-4) AIR CLEANER

REF NO.	PART NO.	DESCRIPTION	Q'TY	REMARKS
1	13700-41K20-000	CLEANERASSY, AIR	1	
2	13725-41K00-000	.CUSHION, CASE	2	
3	13740-41K00-000	.CAP, AIR CLEANER	1	
4	13746-41K00-000	.GASKET	1	
5	13761-41K00-000	.RESONATOR	1	
6	13700-41810-000	AIR FILTER KIT	1	
7	13746-41K00-000	.GASKET	1	
8	13881-41K00-000	.TUBE, OUTLET	1	
9	13891-41K00-000	.TUBE, INLET	1	
10	13826-41K00-000	.CLAMP	1	
11	03541-0520A-000	.SCREW	6	
12	13853-41K00-000	.TUBE, BREATHER	1	
13	09401-12418-000	.CLIP	2	
14	13859-41B10-000	.PLUG	1	
15	09401-14101-000	.CLIP (ID:14.5)	1	
16	01580-0616A-000	BOLT	2	
17	13841-20L00-000	SHEET, AIR CLEANER INLET	1	

FIG.163A

FIG.163A (1-C-5) MUFFLER

REF NO.	PART NO.	DESCRIPTION	Q'TY	REMARKS
1	14310-41K02-000	BODY, MUFFLER	1	
2	14181-14D10-000	GASKET, EXHAUST PIPE (NA)	1	
3	07130-0825A-000	BOLT	2	
4	14780-20L00-000	COVER, MUFFLER	1	
5	09139-06194-000	SCREW (6X16)	3	
6	09160-06156-000	WASHER (6.5X18X1.6)	3	
7	09180-06256-000	SPACER (6.5X9X5.7)	3	
8	09320-08504-000	CUSHION (8.4X18X6)	4	
9	14795-10FA0-000	GROMMET	2	
10	01550-0845B-000	BOLT	1	
11	01550-0845B-000	BOLT	1	
12	09103-08558-000	BOLT (8X40)	1	
13	09180-10164-000	SPACER (10.5X30X25.3)	3	
14	09320-14027-000	CUSHION (14X30X24)	3	
15	09160-08174-000	WASHER (8.5X30X1.6)	3	
16	08319-3108A-000	NUT	2	
17	18213-41K01-000	SENSOR, OXYGEN	1	
18	14791-20L00-000	COVER, MUF RR	1	
19	14761-20L00-000	STAY, MUF RR COV	1	
20	03241-0412B-000	SCREW	4	
21	09148-05083-000	NUT	2	

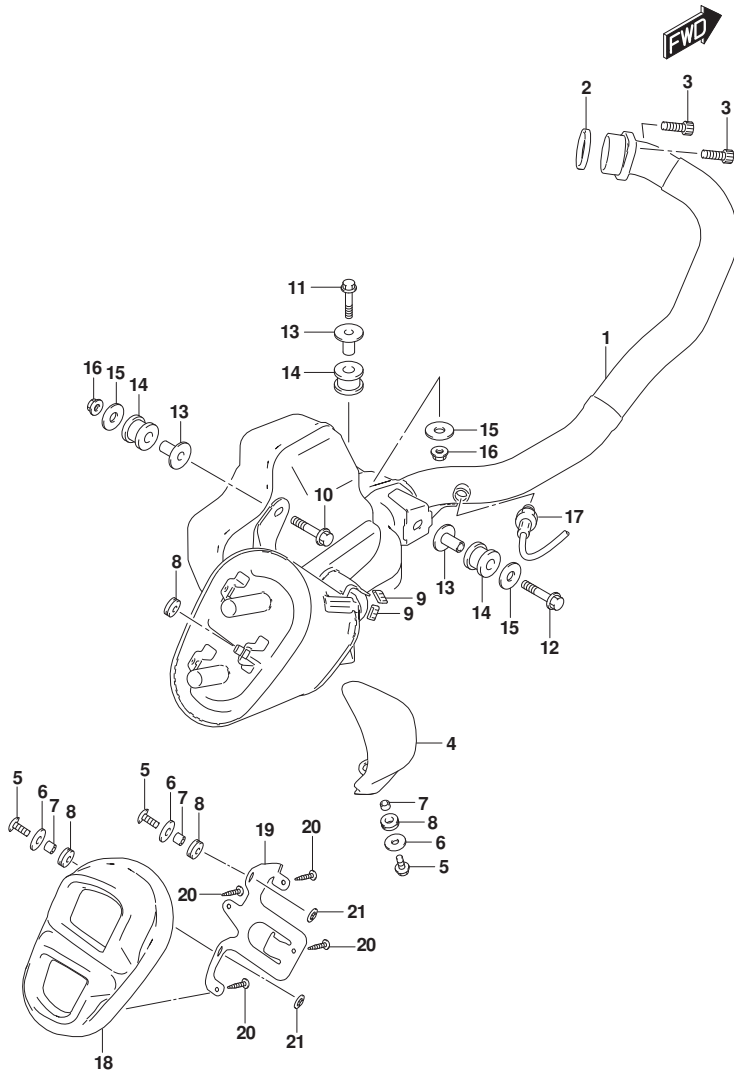


FIG.170A

FIG.170A (1-C-6) OIL PUMP

REF NO.	PART NO.	DESCRIPTION	Q'TY	REMARKS
1	16400-41K00-000	PUMP ASSY, ENGINE OIL	1	
2	16331-41K11-000	GEAR, OIL PUMP DRIVEN (NT:35)	1	
3	16421-41K00-000	PIN, OIL PUMP DRIVEN GEAR (4X29.8)	1	
4	09181-10158-000	SHIM (10X18X0.5)	2	
5	08331-31109-000	CIRCLIP	1	
6	09280-09013-000	O RING (D:1.9,ID:8.6)	1	
7	04211-09149-000	PIN	1	
8	16413-41K00-000	COVER, OIL PUMP	1	
9	01547-0625A-000	BOLT	1	
10	01547-0645A-000	BOLT	2	
11	16520-09440-000	STRAINER, ENGINE OIL	1	
12	16510-33G10-000	FILTER, ENGINE OIL	1	
13	09280-13010-000	O RING (D:1.9,ID:12.5)	1	
14	16512-23J20-000	CAP, OIL FILTER	1	
15	09280-54001-000	O RING (D:2.4,ID:52.6)	1	
16	16519-09J10-000	SPRING, OIL FILTER	1	
17	01547-0620A-000	BOLT	2	

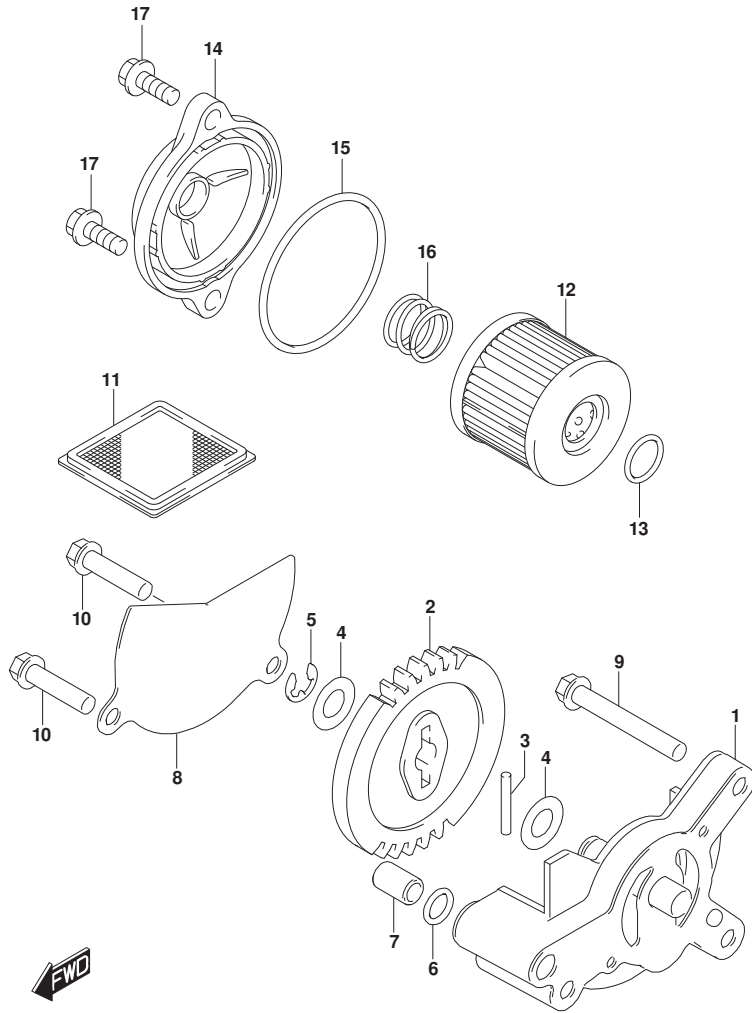


FIG.172A

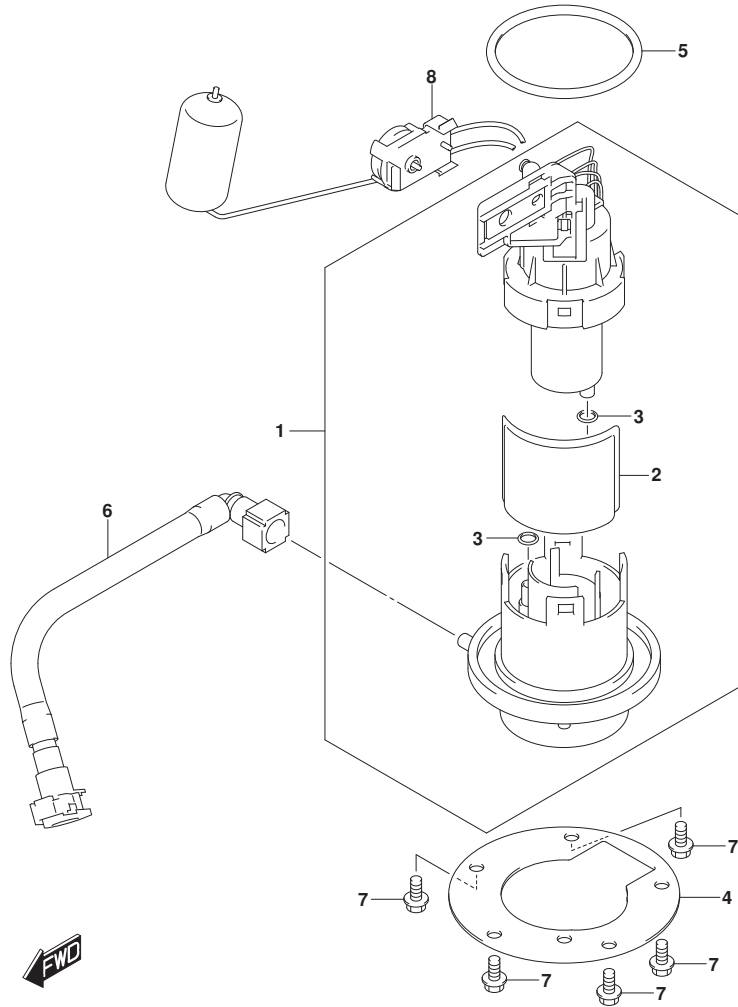


FIG.172A (1-C-7) FUEL PUMP

REF NO.	PART NO.	DESCRIPTION	QTY	REMARKS
1	15100-41K00-000	PUMP ASSY, FUEL	1	
2	15420-34JB0-000	.FILTER	1	
3	15424-09JB0-000	.O RING	2	
4	15121-34JB1-000	PLATE, FUEL PUMP	1	
5	15201-34JB0-000	O RING	1	
6	15810-41K00-000	HOSE, FUEL	1	
7	01547-0612A-000	BOLT	5	
8	34810-20L00-000	GAUGE ASSY, FUEL LEVEL SENDER	1	

FIG.178A

FIG.178A (1-C-8) OIL COOLER

REF NO.	PART NO.	DESCRIPTION	Q'TY	REMARKS
1	16600-41K00-000	COOLER ASSY, OIL	1	
2	17802-41K00-000	.NUT	3	
3	16800-41K00-000	FAN ASSY, OIL COOLER	1	
4	09116-06111-000	BOLT (6X20)	2	
5	09180-06310-000	SPACER (6.5X10X10)	2	
6	09320-10015-000	CUSHION (10X20X10)	2	
7	16460-41K00-000	HOSE, OIL COOLER INLET	1	
8	16470-41K00-000	HOSE, OIL COOLER OUTLET	1	
9	09168-16002-000	GASKET (16X22X2)	8	
10	09360-14016-000	BOLT	1	
11	09360-16002-000	UNION (16X32)	3	
12	01550-0612A-000	BOLT	3	
13	16650-20L00-000	GUARD, OIL COOLER	1	

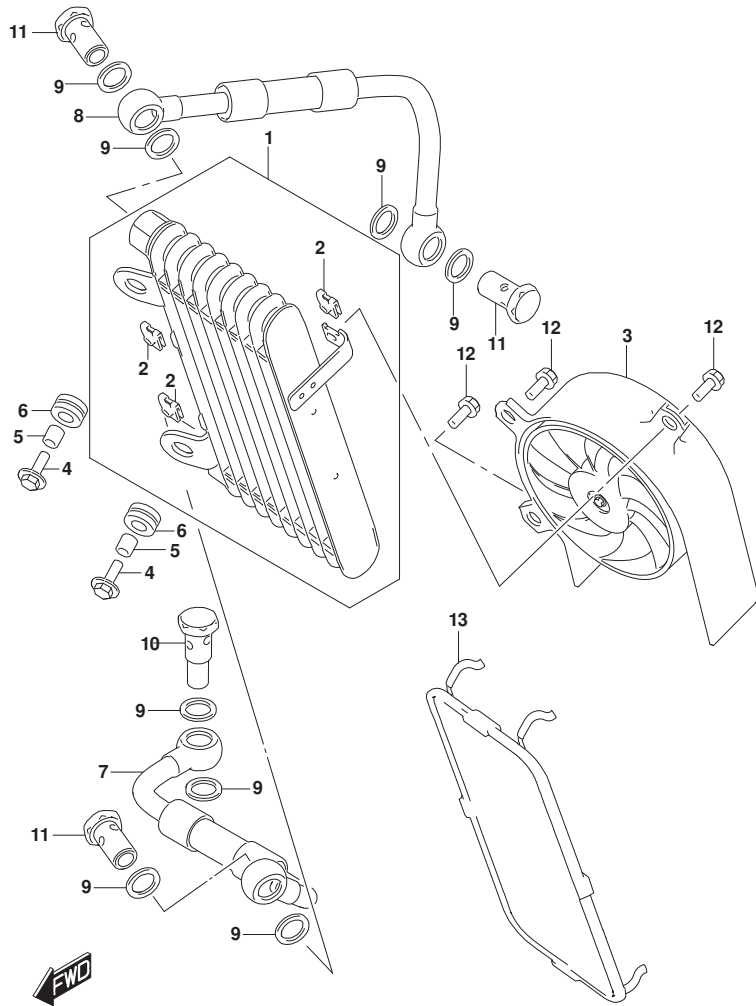


FIG.201A

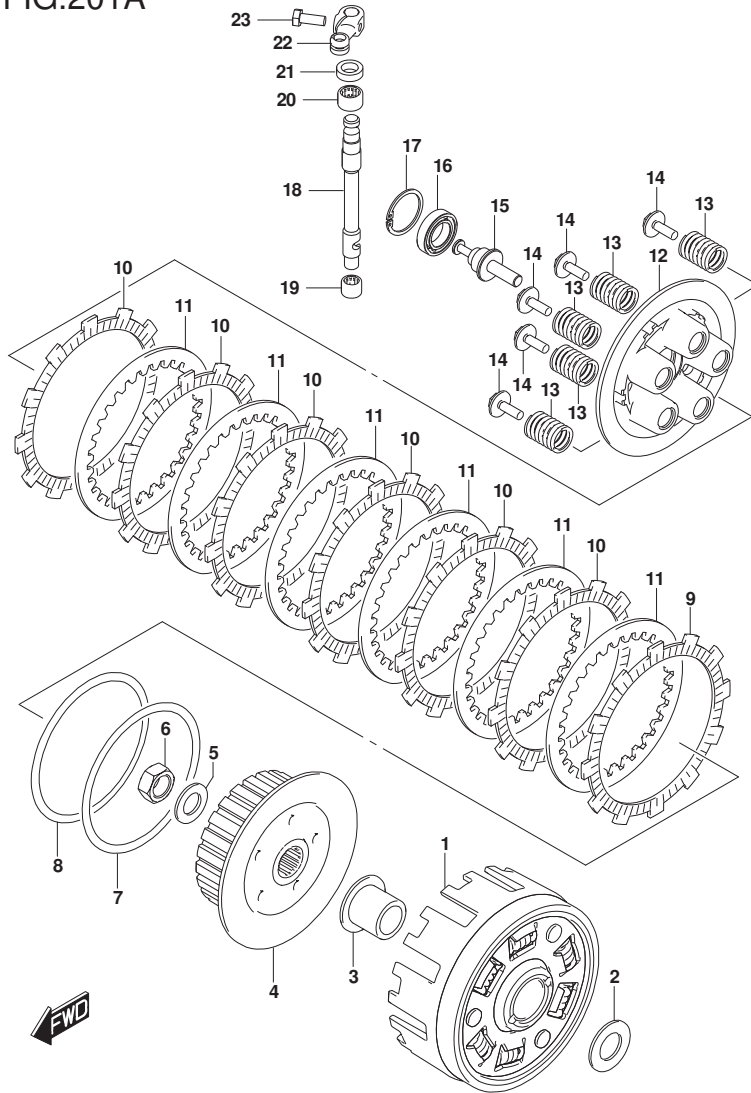


FIG.201A (1-C-9) CLUTCH

REF NO.	PART NO.	DESCRIPTION	Q'TY	REMARKS
1	21200-41KA0-000	GEAR ASSY, PRIMARY DRIVEN (NT:71)	1	
2	08211-20363-000	WASHER	1	
3	21251-41K10-000	SPACER, PRIMARY DRIVEN GEAR	1	
4	21411-41K00-000	HUB, CLUTCH SLEEVE	1	
5	08211-16283-000	WASHER	1	
6	09140-16038-000	NUT	1	
7	21471-41K00-000	SEAT, WAVE WASHER	1	
8	21472-41K00-000	WASHER, CLUTCH PLATE WAVE	1	
9	21442-41K00-000	PLATE, CLUTCH DRIVE NO.2 (T:3.0)	1	
10	21441-41K00-000	PLATE, CLUTCH DRIVE NO.1 (T:3.0)	6	
11	21451-41K00-000	PLATE, CLUTCH DRIVEN (T:1.6)	6	
12	21462-41K00-000	DISC, CLUTCH PRESSURE	1	
13	21481-41K00-000	SPRING, CLUTCH	5	
14	21482-41K00-000	BOLT, CLUTCH SPRING	5	
15	23121-41K00-000	PIECE, CLUTCH PULL	1	
16	08110-69030-000	BEARING	1	
17	08331-41309-000	CIRCLIP	1	
18	23122-41K00-000	CAMSHAFT, CLUTCH RELEASE	1	
19	09263-09002-000	BEARING (9X13X10)	1	
20	09263-12030-000	BEARING (12X16X10)	1	
21	09285-11001-000	OIL SEAL (11X17X5)	1	
22	23271-41K00-000	ARM, CLUTCH RELEASE	1	
23	01500-0616B-000	BOLT	1	

FIG.206A

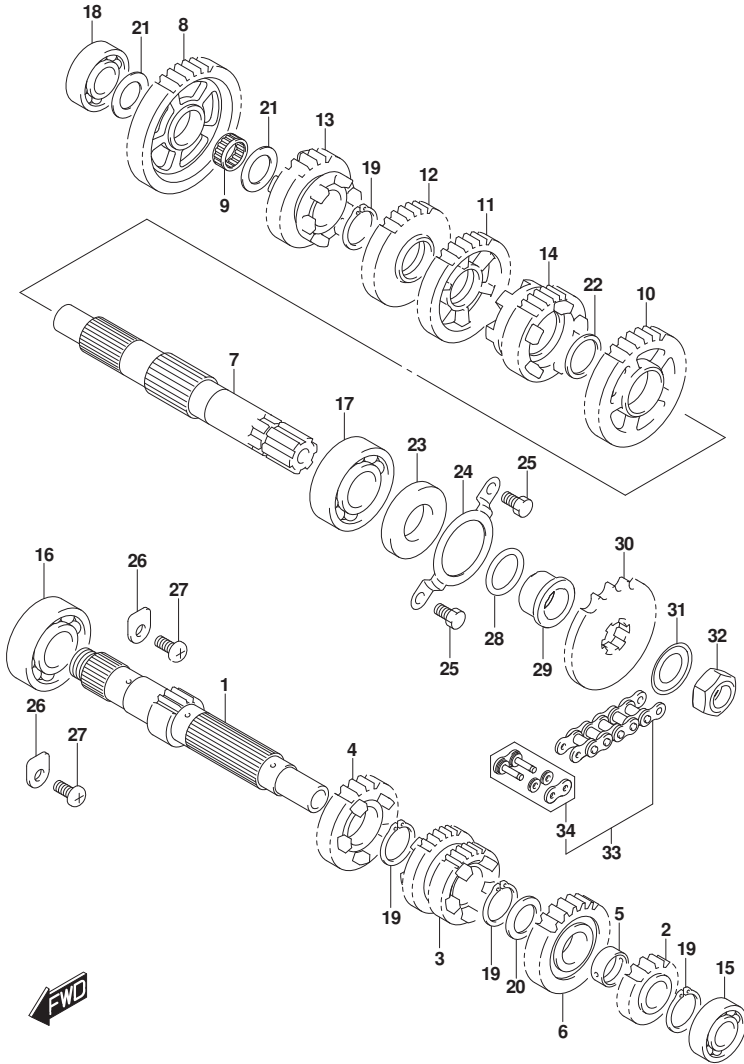


FIG.206A (1-C-10) TRANSMISSION

REF NO.	PART NO.	DESCRIPTION	Q'TY	REMARKS
1	24121-41KA0-000	SHAFT, COUNTER (NT:12)	1	
2	24221-41KA0-000	GEAR, 2ND DRIVE (NT:16)	1	
3	24231-41KA0-000	GEAR, 3RD & 4TH DRIVE (NT:18)	1	
4	24261-41KA0-000	GEAR, 6TH DRIVE (NT:23)	1	
5	24252-41KA0-000	BUSH, 5TH DRIVE GEAR	1	
6	24251-41KA0-000	GEAR, 5TH DRIVE (NT:22)	1	
7	24130-41KA0-000	SHAFT, DRIVE	1	
8	24311-41KA0-000	GEAR, 1ST DRIVEN (NT:30)	1	
9	09263-17060-000	BEARING (22X29X16.8)	1	
10	24321-41KA0-000	GEAR, 2ND DRIVEN (NT:27)	1	
11	24331-41KA0-000	GEAR, 3RD DRIVEN (NT:25)	1	
12	24341-41KA0-000	GEAR, 4TH DRIVEN (NT:20)	1	
13	24361-41KA0-000	GEAR, 6TH DRIVEN (NT:19)	1	
14	24351-41KA0-000	GEAR, 5TH DRIVEN (NT:21)	1	
15	09262-17055-000	BEARING (17X14X12)	1	
16	08112-63040-000	BEARING	1	
17	09262-25189-000	BEARING (25X52X15)	1	
18	08110-62030-000	BEARING	1	
19	09380-22018-000	CIRCLIP	4	
20	09160-22088-000	WASHER (22X30X1)	1	
21	09160-17063-000	WASHER (17X26X1)	2	
22	09380-25016-000	CIRCLIP	1	
23	09283-34016-000	OIL SEAL (34X46X8)	1	
24	24751-41K00-000	RETAINER, DRIVE SHAFT OIL SEAL	1	
25	01500-0610A-000	BOLT	2	
26	24741-20A10-000	RETAINER, SHIFT CAM RH BEARING	2	
27	02112-0612A-000	SCREW	2	
28	09280-24008-000	O RING (D:2.5,ID:23.8)	1	
29	27531-41K00-000	SPACER, ENGINE SPROCKET	1	
30	27511-41K00-000	SPROCKET, ENGINE (NT:13)	1	
31	09167-25019-000	LOCK WASHER (25.3X41.6X1.0)	1	
32	09140-20022-000	NUT	1	
33	27610-41K00-114	CHAIN ASSY, DRIVE (DID520VF3)	1	
34	27620-41K00-000	.JOINT SET, CHAIN	1	

FIG.212A

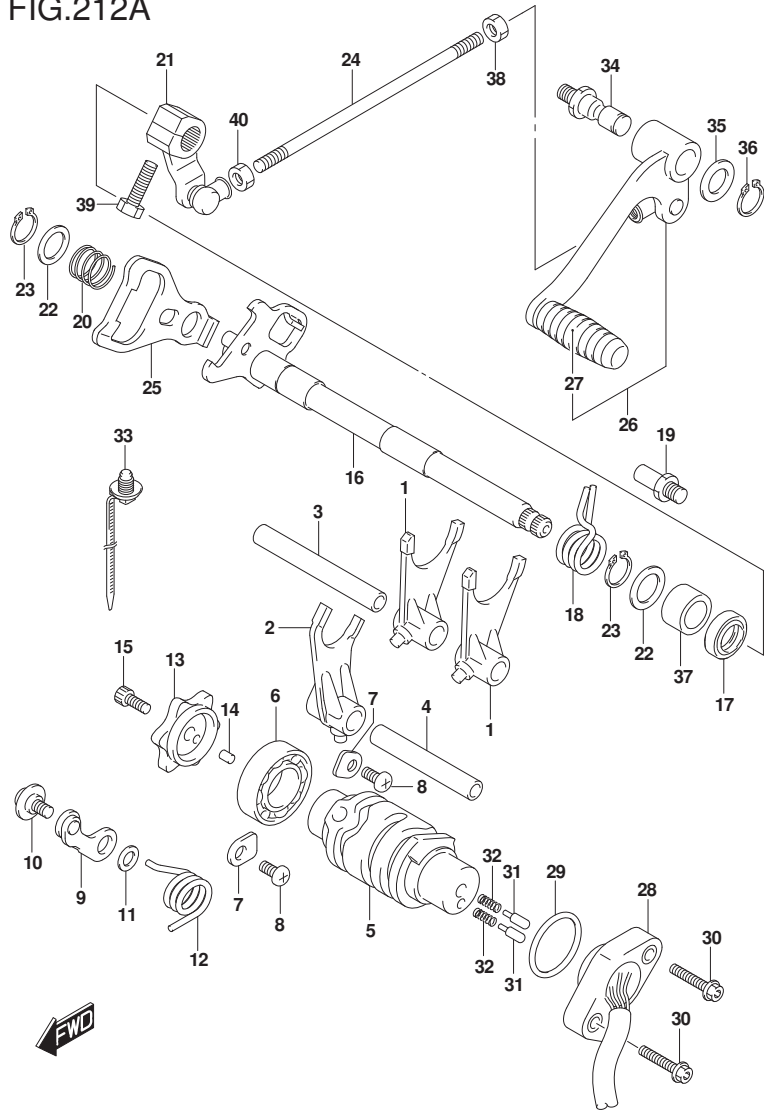


FIG.212A (1-C-11) GEAR SHIFTING

REF NO.	PART NO.	DESCRIPTION	Q'TY	REMARKS
1	25211-14D10-000	FORK, GEAR SHIFT NO.1	2	
2	25231-14D10-000	FORK, GEAR SHIFT NO.3	1	
3	25411-48H00-000	SHAFT, GEAR SHIFT FORK NO.1	1	
4	25421-14D10-000	SHAFT, GEAR SHIFT FORK NO.2	1	
5	25311-41K00-000	CAM, GEAR SHIFT	1	
6	08110-6905A-000	BEARING	1	
7	24741-20A10-000	RETAINER, SHIFT CAM RH BEARING	2	
8	02112-0612A-000	SCREW	2	
9	25350-34J20-000	STOPPER, GEAR SHIFT CAM	1	
10	25357-34J00-000	BOLT (6X14.3)	1	
11	08211-06121-000	WASHER	1	
12	25355-34J10-000	SPRING, GEAR SHIFT CAM STOPPER	1	
13	25381-34J00-000	PLATE, GEAR SHIFT CAM	1	
14	04221-04089-000	PIN	1	
15	07130-0616A-000	BOLT	1	
16	25510-41K00-000	SHAFT, GEAR SHIFT	1	
17	09283-14011-000	OIL SEAL (14X22X6)	1	
18	25518-34J00-000	SPRING, SHIFT SHAFT RETURN	1	
19	25671-28G00-000	STOPPER, GEAR SHIFT ARM	1	
20	25515-34J00-000	SPRING, GEAR SHIFT PLATE RETURN	1	
21	25520-41K11-000	ARM, GEAR SHIFT LINK	1	
22	09181-14167-000	SHIM (14X22X1.0)	2	
23	08331-31149-000	CIRCLIP	2	
24	25525-20L00-000	ROD, GEAR SHIFT LINK	1	
25	25512-28G10-000	PLATE, GEAR SHIFT CAM DRIVE	1	
26	25600-41K10-000	LEVER ASSY, GEAR SHIFT	1	
27	25652-05J00-000	.RUBBER, GEAR SHIFT LEVER	1	
28	37720-41K01-000	BASE ASSY, GEAR SHIFT TERM	1	
29	09280-26005-000	O RING (D:2.4, ID:26.2)	1	
30	07120-0520A-000	BOLT	2	
31	09209-05011-000	PIN (5X15.5)	2	
32	09440-04010-000	SPRING	2	
33	09407-15L01-000	CLAMP (L:170)	1	
34	25617-03F20-000	SHAFT, GEAR SHIFT LEVER	1	
35	09160-12011-000	WASHER (12.5X20X1.0)	1	

FIG.212A

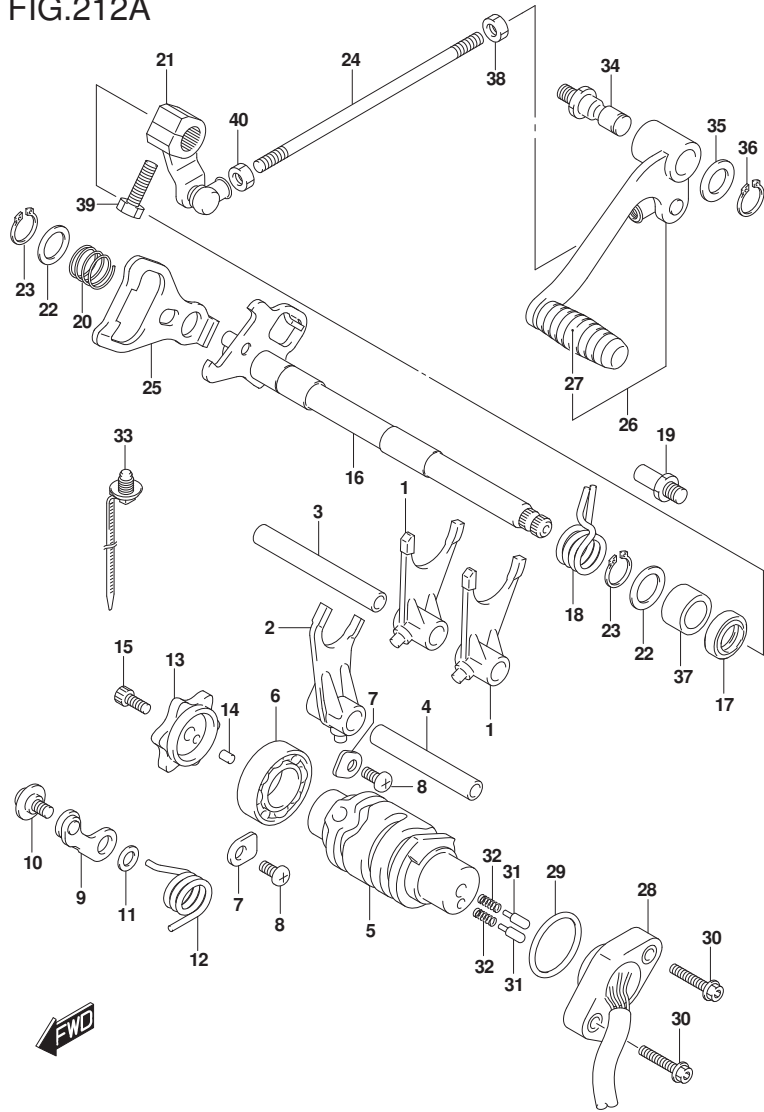


FIG.212A (1-C-12) GEAR SHIFTING

REF NO.	PART NO.	DESCRIPTION	Q'TY	REMARKS
36	08331-3112A-000	CIRCLIP	1	
37	09263-14036-000	BEARING (14X20X12)	1	
38	09140-06025-000	NUT	1	
39	01500-0620B-000	BOLT	1	
40	08310-0006A-000	NUT	1	

FIG.301A

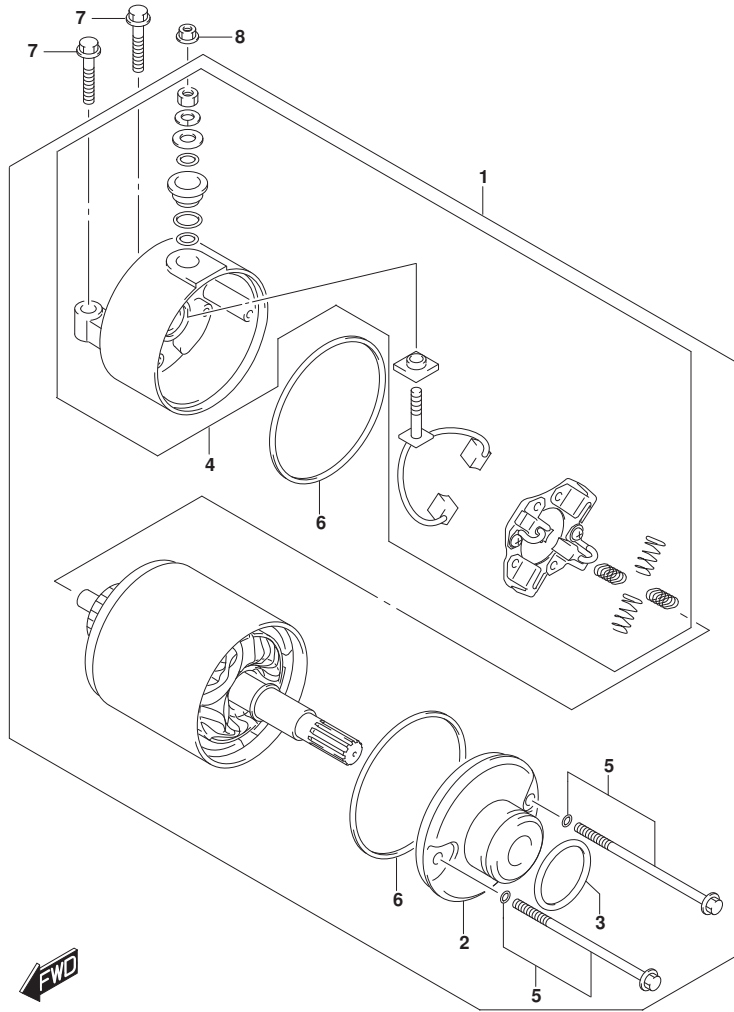


FIG.301A (1-C-13) STARTING MOTOR

REF NO.	PART NO.	DESCRIPTION	Q'TY	REMARKS
1	31100-41K00-000	MOTOR ASSY, STARTING	1	
2	31150-41K00-000	.FRONT BRACKET	1	
3	31156-41K00-000	.O RING	1	
4	31175-41K00-000	.REAR BRACKET	1	
5	31280-41K00-000	.BOLT SET	1	
6	31264-41K00-000	.SEAL SET	1	
7	01547-0625A-000	BOLT	2	
8	08361-3506A-000	NUT	1	

FIG.303A

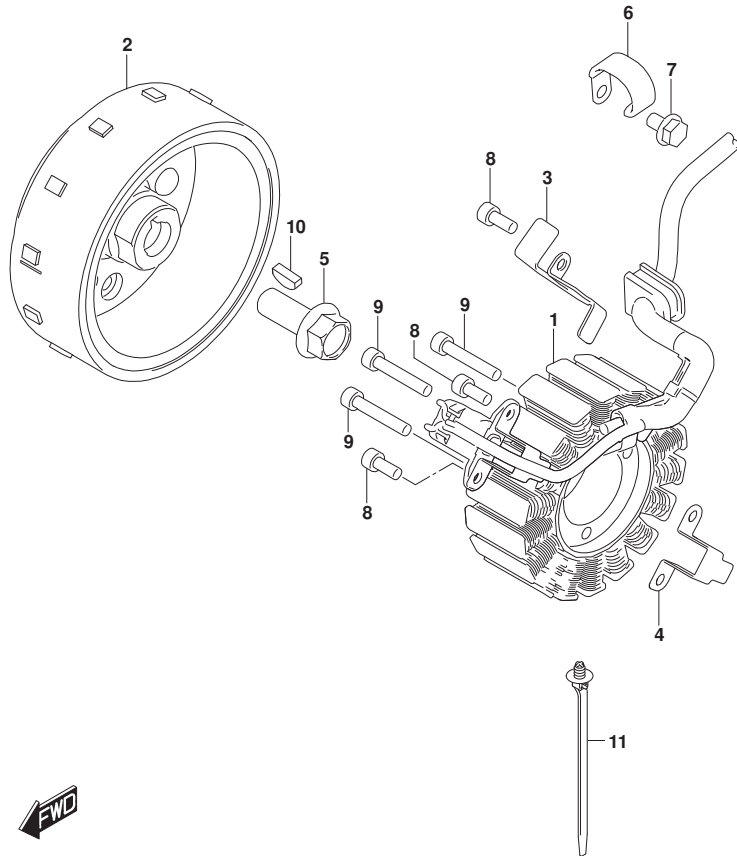


FIG.303A (1-C-14) MAGNETO

REF NO.	PART NO.	DESCRIPTION	Q'TY	REMARKS
1	32101-41K00-000	STATOR ASSY, MAGNETO	1	
2	32102-41K00-000	ROTOR ASSY, MAGNETO	1	
3	32371-41K00-000	CLAMP, MAGNETO LEAD	1	
4	32371-41K10-000	CLAMP, SENSOR LEAD	1	
5	32491-41K00-000	BOLT, MAGNETO ROTOR	1	
6	09404-06436-000	CLAMP (L:80)	1	
7	01550-0610A-000	BOLT	1	
8	07130-0512B-000	BOLT	3	
9	07130-0530B-000	BOLT	3	
10	09420-04008-000	KEY (B:4,D:16,H6.5)	1	
11	09407-15L01-000	CLAMP (L:170)	1	

FIG.310A

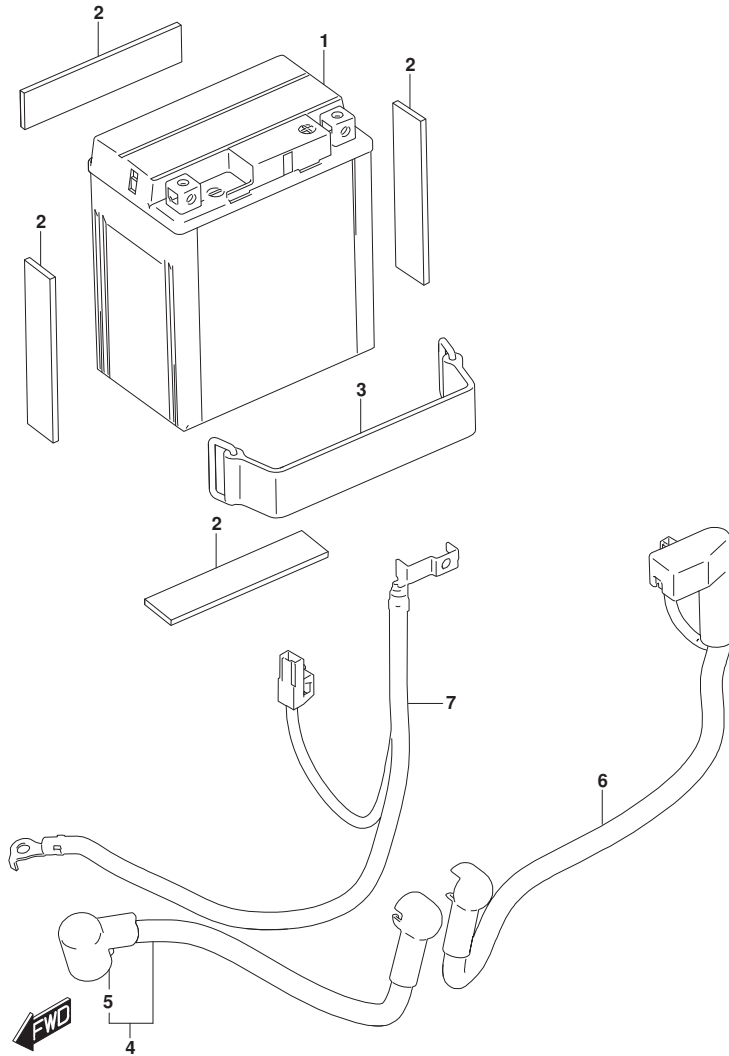


FIG.310A (1-D-2) BATTERY

REF NO.	PART NO.	DESCRIPTION	Q'TY	REMARKS
1	33620-41K10-000	BATTERY ASSY (YTZ7,12V/6.3AH)	1	
2	33652-29100-000	PROTECTOR, BATTERY (170X95X3.0)	4	
3	09462-00007-000	BAND	1	
4	33810-41K10-000	WIRE, STARTER MOTOR LEAD	1	
5	33624-41K00-000	.CAP, STARTER LEAD	1	
6	33820-41K00-000	WIRE, BATTERY PLUS LEAD	1	
7	33860-41K00-000	WIRE, BATTERY MINUS LEAD	1	

FIG.311A

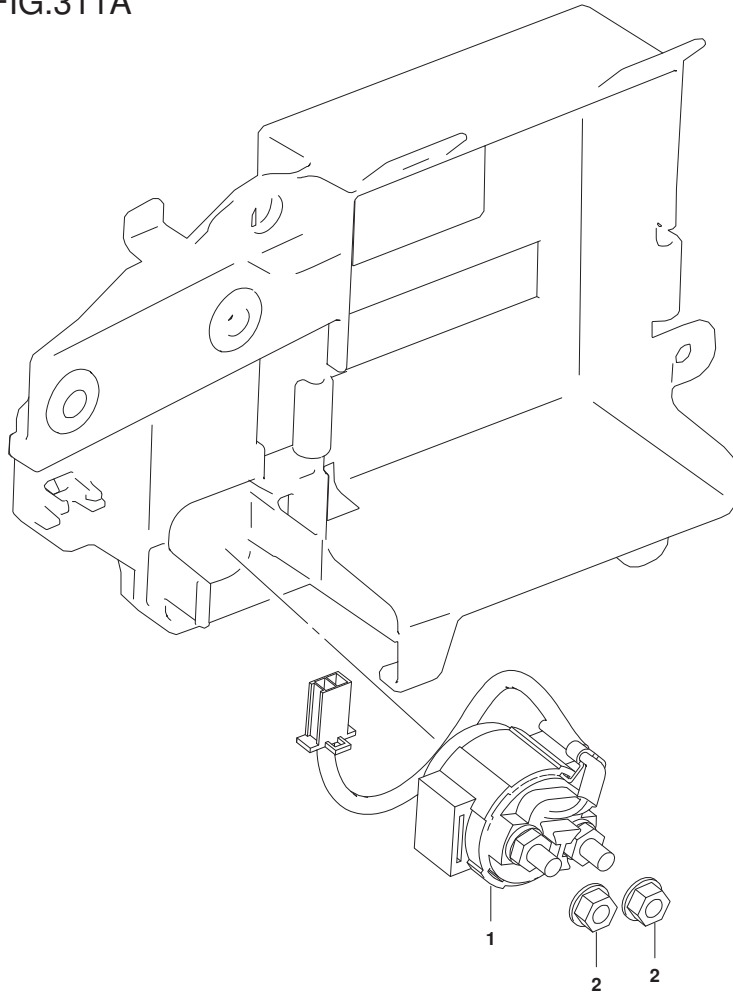


FIG.311A (1-D-3) STARTOR RELAY

REF NO.	PART NO.	DESCRIPTION	Q'TY	REMARKS
1	31800-34J02-000	RELAY ASSY, STARTING MOTOR	1	
2	08361-3506A-000	NUT	2	

FIG.313A

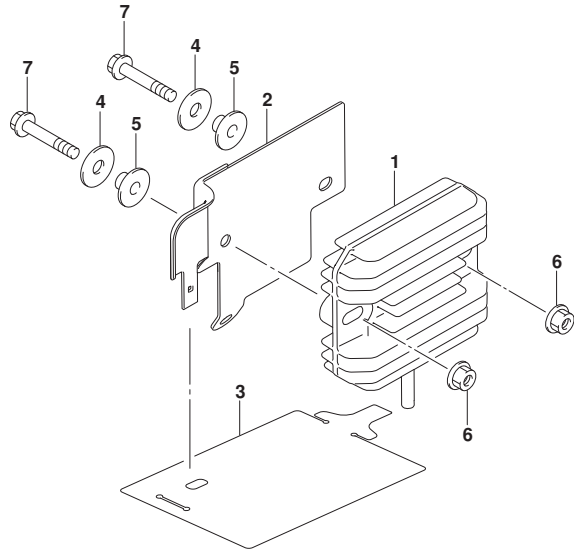


FIG.313A (1-D-4) RECTIFIER

REF NO.	PART NO.	DESCRIPTION	Q'TY	REMARKS
1	32800-20K30-000	RECTIFIER ASSY	1	
2	32832-41K00-000	PLATE, RECTIFIER	1	
3	32852-41K00-000	PROTECTOR, RECTIFIER	1	
4	09160-06060-000	WASHER (6.5X20X1.2)	2	
5	09180-06380-000	SPACER (6.2X8.4X6.9)	2	
6	08316-1006B-000	NUT	2	
7	01547-0630B-000	BOLT	2	



FIG.316A

FIG.316A (1-D-5) IGNITION COIL

REF NO.	PART NO.	DESCRIPTION	Q'TY	REMARKS
1	33410-41K00-000	COIL ASSY, IGNITION	1	
2	33414-41K00-000	BRACKET, IGNITION COIL	1	
3	01547-0620A-000	BOLT	2	
4	01547-0612A-000	BOLT	2	
5	33510-41K00-000	CAP ASSY, SPARK PLUG	1	
6	33541-08K00-000	SEAL, SPARK PLUG	1	
7	33542-30H00-000	SEAL, HIGH TENSION CORD	1	

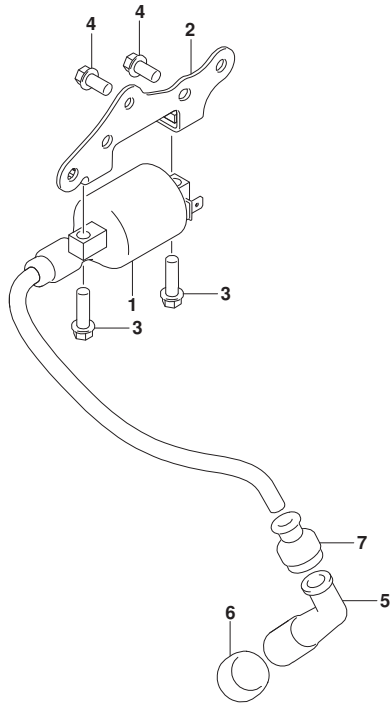


FIG.322A

FIG.322A (1-D-6) ELECTRIC POWER CONTROL UNIT

REF NO.	PART NO.	DESCRIPTION	Q'TY	REMARKS
1	32920-20L00-000	CONTROL UNIT, FI	1	
2	33960-27G00-000	SENSOR ASSY, FUEL CUT	1	
3	09280-63003-000	O RING (D:3.5,ID:62.6)	1	

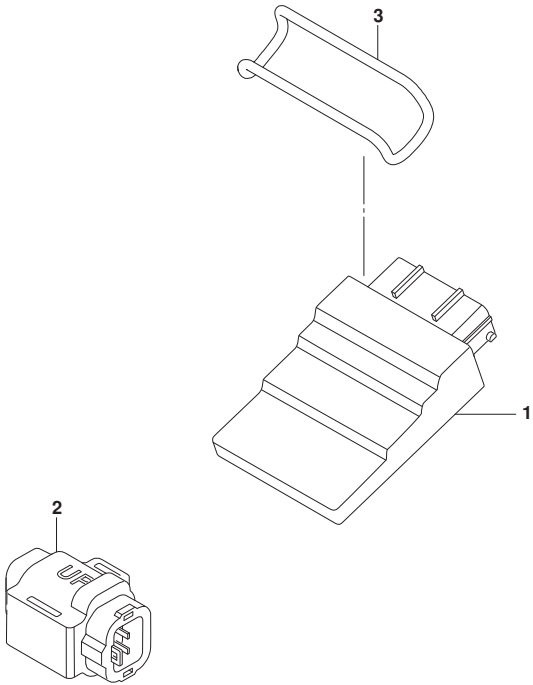


FIG.330A



FIG.330A (1-D-7) SPEEDOMETER

REF NO.	PART NO.	DESCRIPTION	Q'TY	REMARKS
1	34100-20LA2-000	SPEEDOMETER ASSY	1	
2	34189-34J00-000	CUSHION, SPEEDOMETER	3	
3	09160-04026-000	WASHER (4.5X16X1.2)	3	
4	03541-0416A-000	SCREW	3	

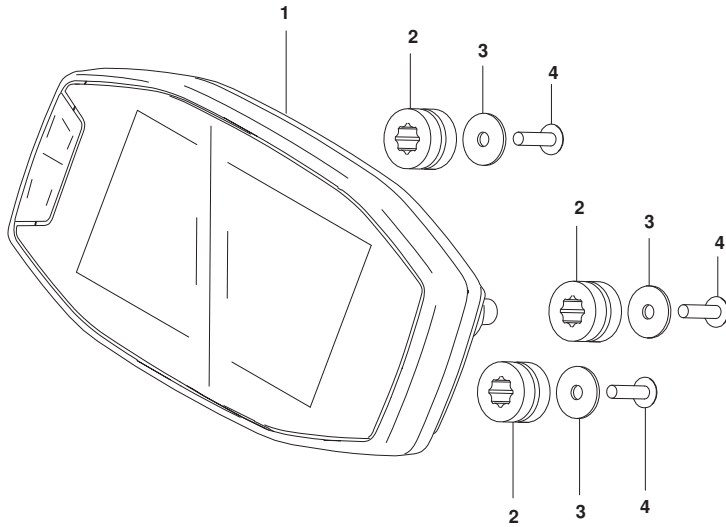


FIG.333A

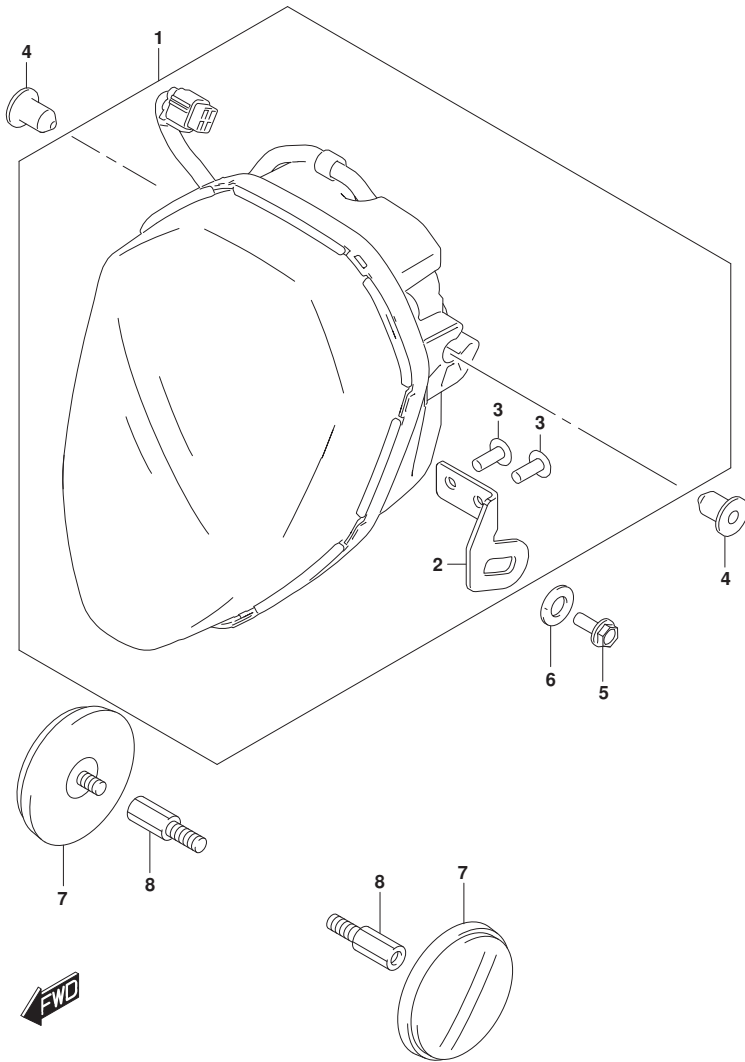


FIG.333A (1-D-8) HEADLAMP

REF NO.	PART NO.	DESCRIPTION	Q'TY	REMARKS
1	35100-20L01-000	HEADLAMP ASSY	1	
2	35159-20L00-000	.BRACKET	1	
3	03541-0616B-000	.SCREW	2	
4	51831-30H10-000	CUSHION, METER BRACE	2	
5	02162-0616B-000	SCREW	1	
6	09160-06151-000	WASHER (6.5X18X1)	1	
7	35950-20L00-000	REFLEX REFLECTOR ASSY, SIDE	2	
8	09119-06140-000	BOLT	2	

FIG.334A

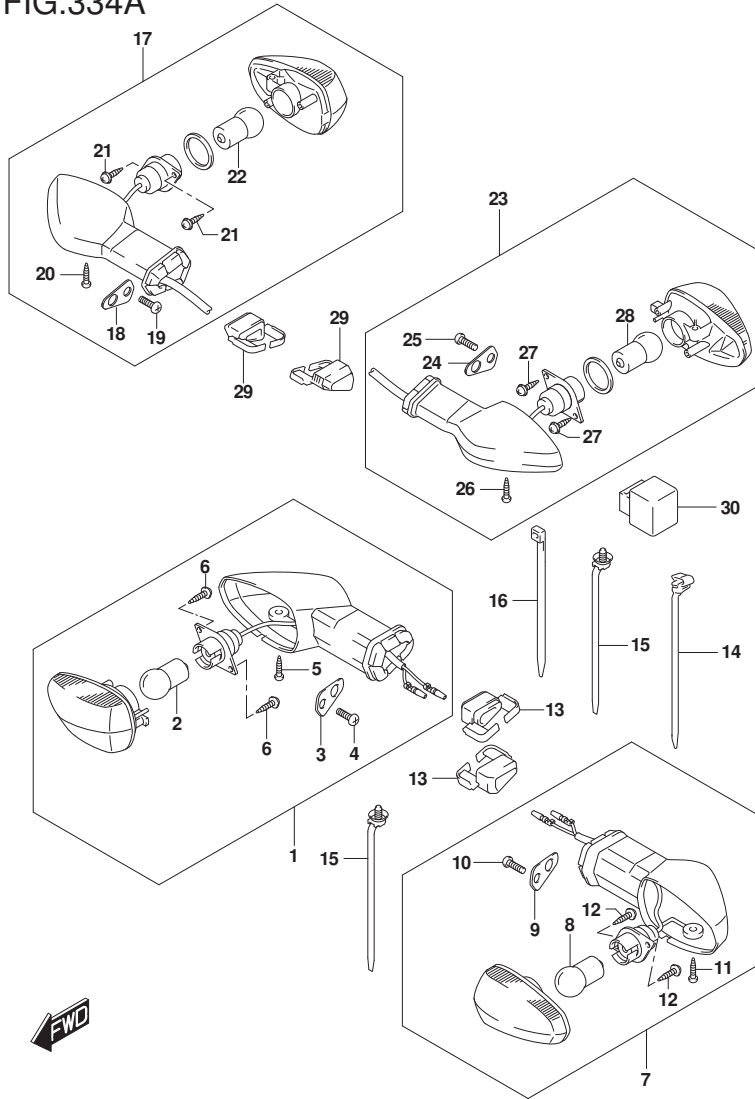


FIG.334A (1-D-9) TURNSIGNAL LAMP

REF NO.	PART NO.	DESCRIPTION	Q'TY	REMARKS
1	35601-20LE0-000	LAMP ASSY, FRONT TURNSIGNAL RH	1	
2	35222-34J80-000	.BULB (12V10W,AMBER)	1	
3	35616-34J00-000	.PLATE	1	
4	35623-34J00-000	.SCREW	1	
5	35623-34J30-000	.SCREW	1	
6	35623-34J40-000	.SCREW	2	
7	35602-20LE0-000	LAMP ASSY, FRONT TURNSIGNAL LH	1	
8	35222-34J80-000	.BULB (12V10W,AMBER)	1	
9	35616-34J00-000	.PLATE	1	
10	35623-34J00-000	.SCREW	1	
11	35623-34J30-000	.SCREW	1	
12	35623-34J40-000	.SCREW	2	
13	35629-34J30-000	PLATE, FRONT TURNSIGNAL	2	
14	36990-44J10-000	CLAMP	1	
15	09407-15L01-000	CLAMP (L:170)	2	
16	09407-14407-000	CLAMP (L:145)	1	
17	35603-20L50-000	LAMP ASSY, REAR TURNSIGNAL RH	1	
18	35616-34J00-000	.PLATE	1	
19	35623-34J00-000	.SCREW	1	
20	35623-34J30-000	.SCREW	1	
21	35623-34J40-000	.SCREW	2	
22	09471-12226-000	.BULB (12V10W,AMBER)	1	
23	35604-20L50-000	LAMP ASSY, REAR TURNSIGNAL LH	1	
24	35616-34J00-000	.PLATE	1	
25	35623-34J00-000	.SCREW	1	
26	35623-34J30-000	.SCREW	1	
27	35623-34J40-000	.SCREW	2	
28	09471-12226-000	.BULB (12V10W,AMBER)	1	
29	35629-34J30-000	PLATE, FRONT TURNSIGNAL	2	
30	38610-27K01-000	RELAY ASSY, TURNSIGNAL	1	

FIG.339A

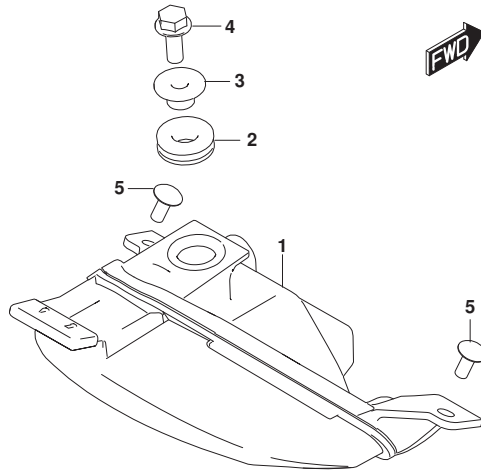


FIG.339A (1-D-10) REAR COMBINATION LAMP

REF NO.	PART NO.	DESCRIPTION	Q'TY	REMARKS
1	35710-20L00-000	LAMP ASSY, REAR COMB	1	
2	47161-23J00-000	CUSHION (10X22X7)	1	
3	53275-34J00-000	SPACER, FR FENDER	1	
4	01550-0616A-000	BOLT	1	
5	03541-0512A-000	SCREW	2	
6	35910-23K10-000	LAMP ASSY, LICENSE	1	
7	35913-23K00-000	.RUBBER	1	
8	09160-05050-000	WASHER (5.5X18X1)	2	
9	03541-0512A-000	SCREW	2	
10	35970-28G00-000	REFLECTOR ASSY, RR	1	
11	09160-05050-000	WASHER (5.5X18X1)	1	
12	08319-2105A-000	NUT	1	

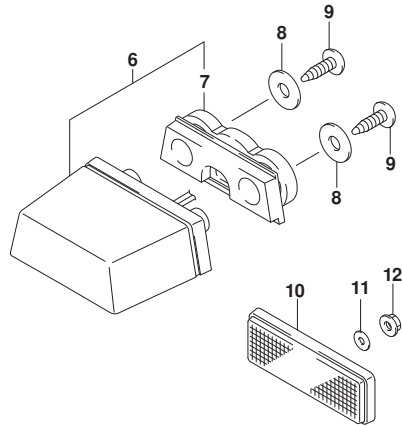


FIG.350A

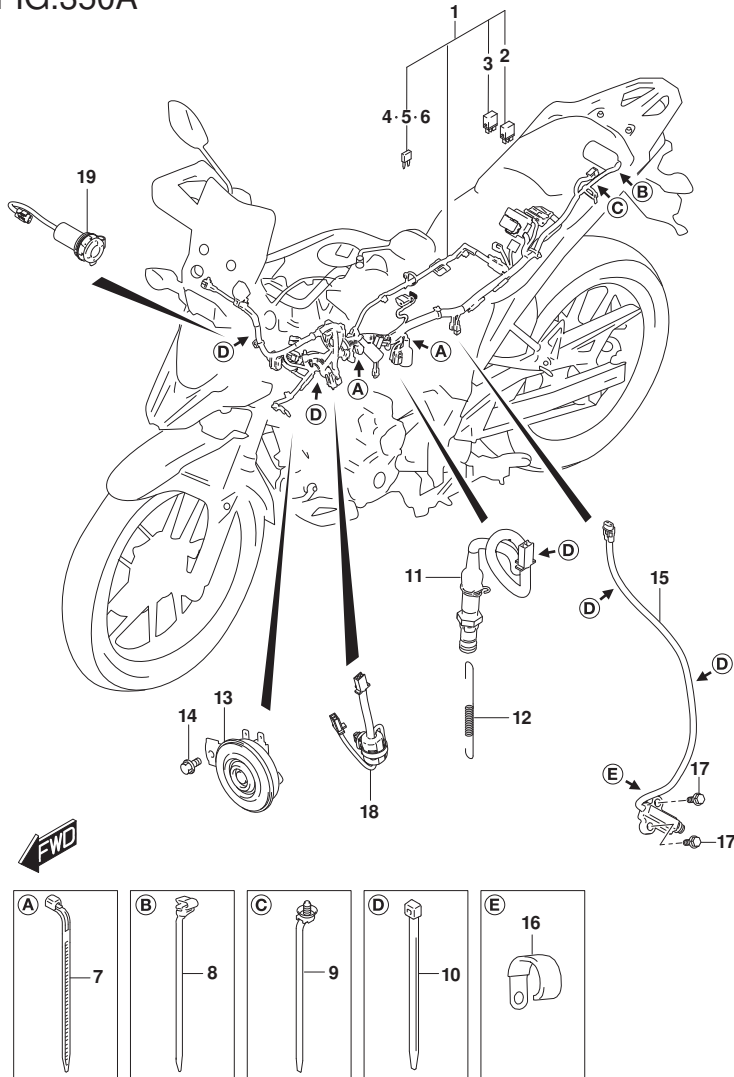


FIG.350A (1-D-11) WIRING HARNESS

REF NO.	PART NO.	DESCRIPTION	Q'TY	REMARKS
1	36610-20L00-000	HARNESS, WIRING	1	
2	38860-76F01-000	.RELAY ASSY	1	FAN MOTOR
3	38860-76F01-000	.RELAY ASSY	1	STARTER SUB
4	09481-10501-000	.FUSE (10A)	3	
5	09481-15501-000	.FUSE (15A)	2	
6	09481-20501-000	.FUSE (20A)	1	
7	36990-70F20-000	CLAMP, COMB SW WIRE (L:165)	2	
8	36990-44J10-000	CLAMP	1	
9	09407-14L01-000	CLAMP (L:125)	1	
10	09407-14407-000	CLAMP (L:145)	5	
11	37740-34J20-000	SWITCH ASSY, STOP LAMP	1	
12	43232-34J00-000	SPRING, STOP LAMP SWITCH	1	
13	38500-41K01-000	HORN ASSY	1	
14	01550-0610B-000	BOLT	1	
15	37840-48K00-000	SWITCH ASSY, SIDE STAND	1	
16	09404-06429-000	CLAMP (L:45)	1	
17	01550-0620A-000	BOLT	2	
18	36852-20L10-000	WIRE, FAN MOTOR LEAD	1	
19	39105-44K40-000	SOCKET, USB	1	

FIG.352A

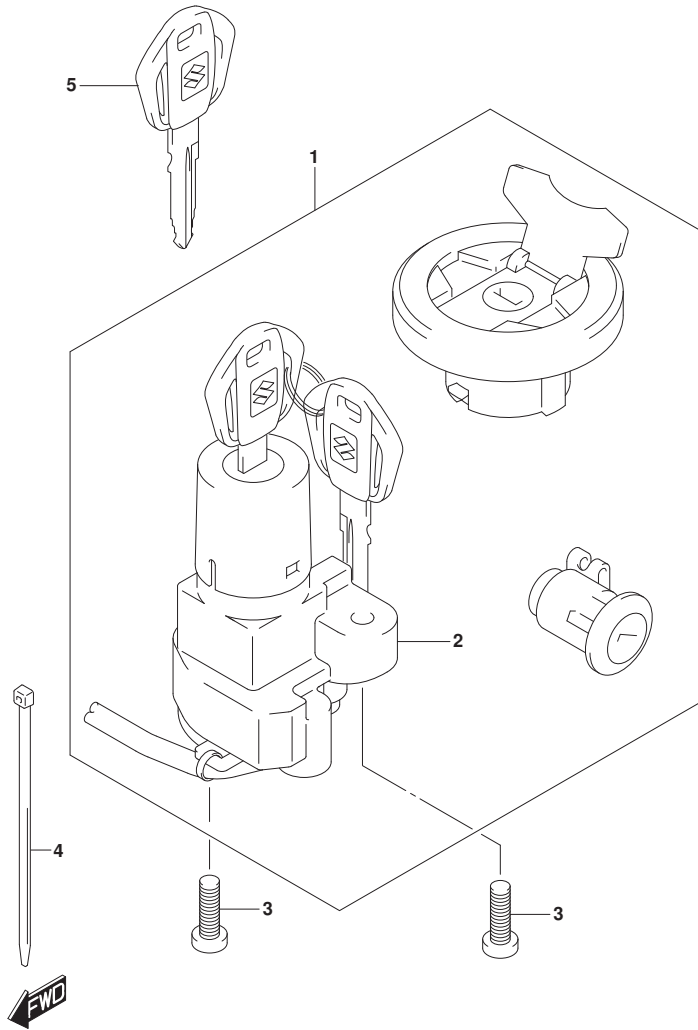


FIG.352A (1-D-12) LOCK SET

REF NO.	PART NO.	DESCRIPTION	Q'TY	REMARKS
1	37101-20891-000	LOCK SET	1	
2	37100-20L01-000	.LOCK ASSY, STEERING	1	
3	37152-30H00-000	BOLT, STEERING LOCK	2	
4	09407-14407-000	CLAMP (L:145)	1	
5	37146-41K00-000	KEY, BLANK	1	OPT

FIG.355A

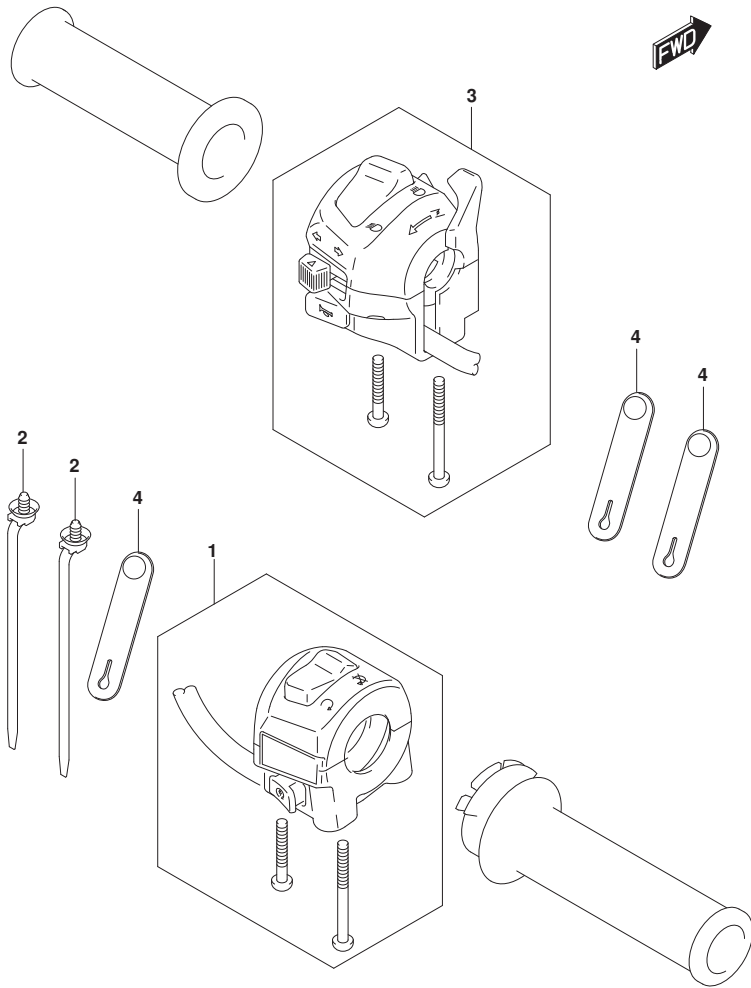


FIG.355A (1-D-13) HANDLE SWITCH

REF NO.	PART NO.	DESCRIPTION	Q'TY	REMARKS
1	37200-27K21-000	SWITCH ASSY, HANDLE RH	1	
2	09407-15L01-000	CLAMP (L:170)	2	
3	37400-27K20-000	SWITCH ASSY, HANDLE LH	1	
4	36990-20L00-000	CLAMP, HANDLE SWITCH	3	

FIG.401A

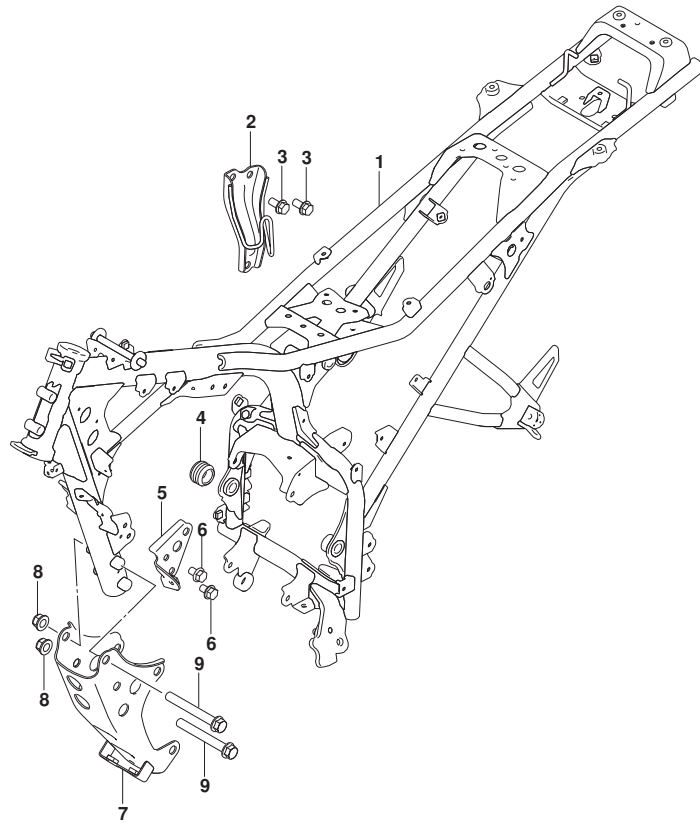


FIG.401A (1-D-14) FRAME

REF NO.	PART NO.	DESCRIPTION	Q'TY	REMARKS
1	41100-20L00-000	FRAME	1	
2	41980-41K00-000	PLATE, ENG MTG UPPER	1	
3	01550-0816A-000	BOLT	2	
4	43585-27K00-000	CAP, FRAME BRIDGE LOWER	1	
5	41994-41K00-000	PLATE, ENG MTG FRONT	1	
6	01550-0812B-000	BOLT	2	
7	41990-20L00-000	BRACKET, ENG MTG LOWER	1	
8	08319-3110B-000	NUT	2	
9	41933-34J00-000	BOLT, ENG MTG LOWER	2	

FIG.406A

FIG.406A (1-E-2) HOLDER

REF NO.	PART NO.	DESCRIPTION	Q'TY	REMARKS
1	41542-41K00-000	HOLDER, BATTERY	1	
2	47431-20L00-000	HOLDER, OWNER'S MANUAL	1	
3	48178-31C00-000	CUSHION (15X30X3)	1	
4	09111-06063-000	BOLT (6X12)	3	
5	09139-06219-000	BOLT (6X13)	1	
6	47421-20L00-000	HOLDER, ELECTRIC PARTS	1	
7	03541-0512A-000	SCREW	3	

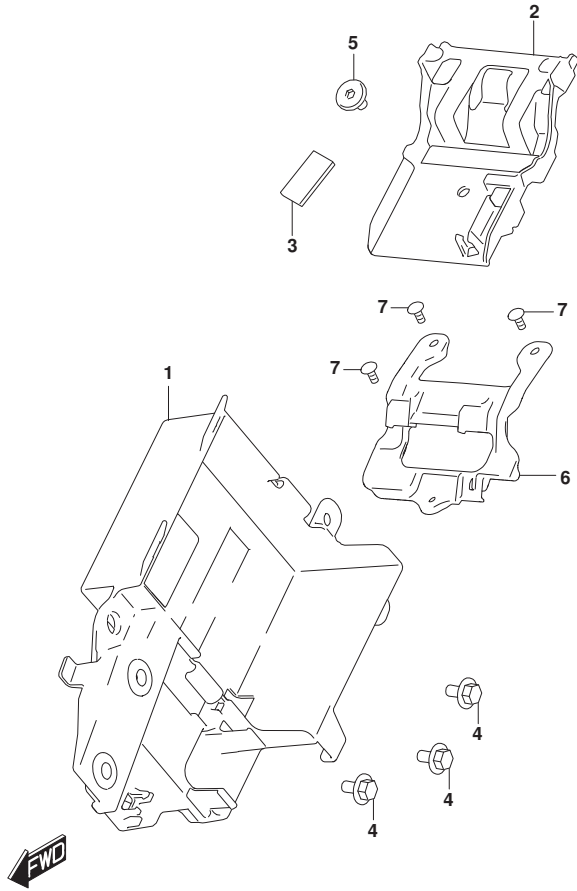


FIG.407A

FIG.407A (1-E-3) STAND

REF NO.	PART NO.	DESCRIPTION	Q'TY	REMARKS
1	42310-20L00-000	STAND, PROP	1	
2	42341-27K00-000	BOLT, PROP STAND (10X33)	1	
3	08319-2110B-000	NUT	1	
4	42360-41K00-000	PLATE, SIDE STAND SWITCH	1	
5	42423-48H00-000	SPRING, PROP STAND	1	
6	42424-48H00-000	SPRING, PROP STAND OUTER	1	
7	01550-0612B-000	BOLT	2	
8	43110-34J20-000	PEDAL, BRAKE	1	
9	09160-15002-000	WASHER (15.5X26X2.3)	1	
10	04111-3025A-000	PIN	1	
11	43211-23J00-000	SPRING, BRAKE PEDAL	1	

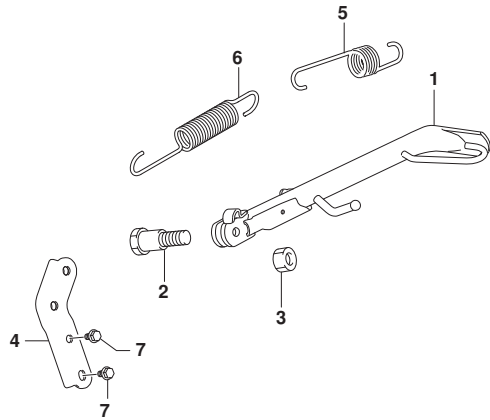
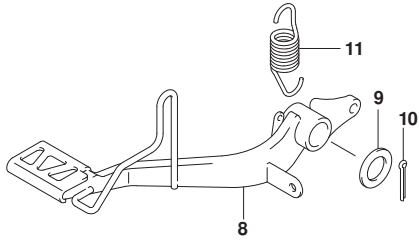


FIG.412A

FIG.412A (1-E-4) CARRIER

REF NO.	PART NO.	DESCRIPTION	Q'TY	REMARKS
1	46311-20L00-000	CARRIER, SPORT	1	
2	01550-0825A-000	BOLT	4	
3	68391-20L00-000	LABEL, CARRIER WARNING	1	

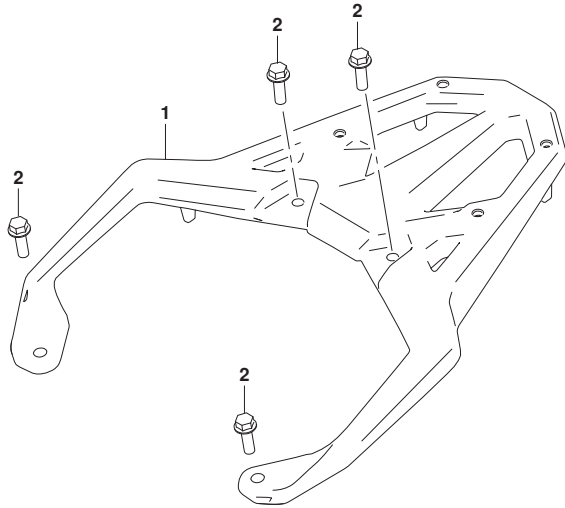


FIG.415A

FIG.415A (1-E-5) FOOTREST

REF NO.	PART NO.	DESCRIPTION	Q'TY	REMARKS
1	43510-20L00-000	BRACKET, FR FOOTREST RH	1	
2	43520-20L00-000	BRACKET, FR FOOTREST LH	1	
3	09106-08210-000	BOLT	4	
4	43551-06L00-000	RUBBER, FR FOOTREST	2	
5	09200-08077-000	PIN	2	
6	04111-2515A-000	PIN	2	
7	09448-20012-000	SPRING	2	
8	43530-06L00-000	BAR, FRONT FOOTREST RH	1	
9	43540-06L00-000	BAR, FRONT FOOTREST LH	1	
10	43552-06L00-000	PLATE, FR FOOTREST RUBBER	2	
11	47512-28K00-000	SPACER, FR FOOTREST RUBBER	4	
12	07120-0512A-000	BOLT	4	
13	43576-48B80-000	BOLT, BANK SENSOR	2	
14	43571-20L00-000	GUARD, FR FOOTREST RH	1	
15	43572-20L00-000	GUARD, FR FOOTREST LH	1	
16	07130-0616A-000	BOLT	2	
17	43611-37H70-000	BAR, PILLION FOOTREST RH	1	
18	43621-37H70-000	BAR, PILLION FOOTREST LH	1	
19	43529-34J10-000	PIN, PILLION FOOTREST	2	
20	04111-2515A-000	PIN	2	
21	09440-05003-000	SPRING	2	
22	06111-07004-000	BALL	2	

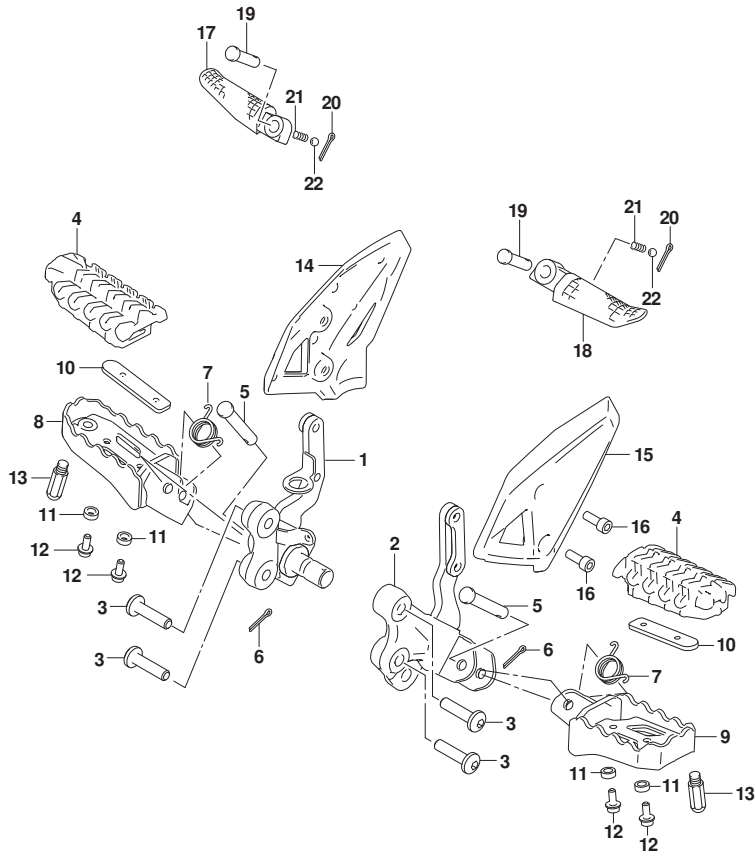


FIG.420A

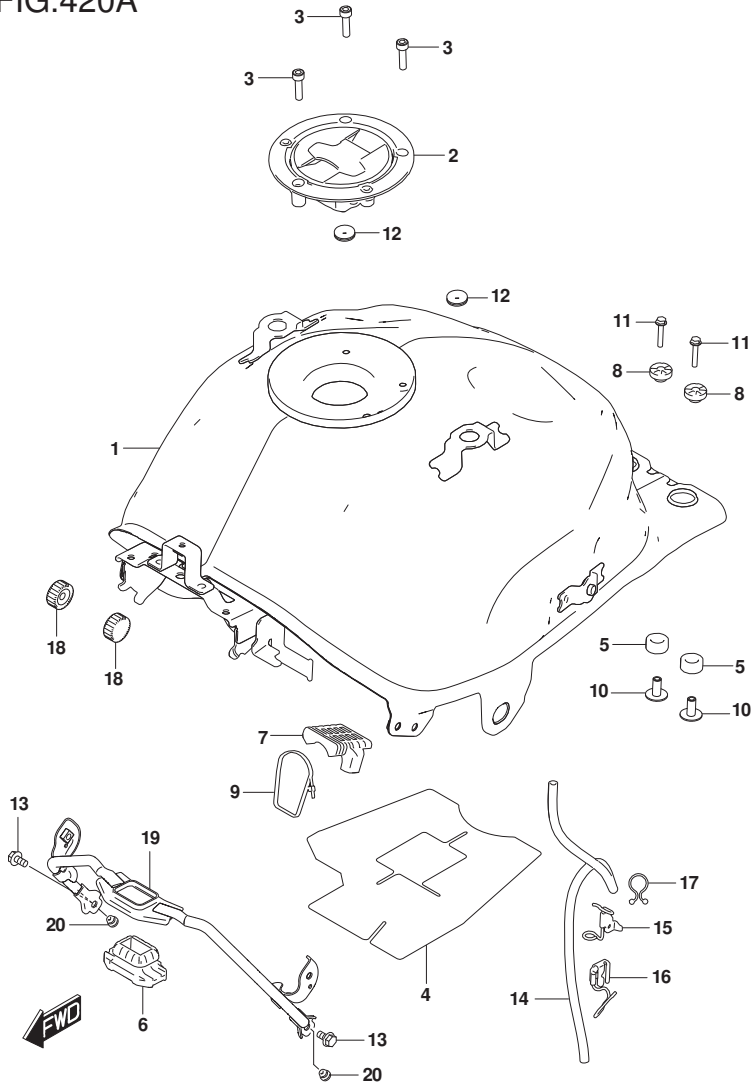


FIG.420A (1-E-6) FUEL TANK

REF NO.	PART NO.	DESCRIPTION	Q'TY	REMARKS
1	44100-20L00-000	TANK ASSY, FUEL	1	
2	44200-34860-000	CAP SET, FUEL TANK FILLER	1	
3	09106-05017-000	BOLT (5X20)	3	
4	44271-41K00-000	SHIELD, FUEL TANK HEAT	1	
5	44542-44J00-000	CUSHION, FUEL TANK LWR	2	
6	44542-20L00-000	CUSHION, FUEL TANK FRONT BRACE	1	
7	44541-34J20-000	CUSHION, FUEL TANK CTR	1	
8	44541-44J00-000	CUSHION, FUEL TANK UPR	2	
9	44549-34J00-000	CLAMP, FUEL TANK CUSHION CTR	1	
10	44544-27K00-000	SPACER, FUEL TANK CUSHION	2	
11	01550-0635A-000	BOLT	2	
12	47162-30H00-000	CUSHION (8X26X7)	2	
13	01550-0612A-000	BOLT	2	
14	44423-41K00-000	HOSE, FUEL TANK DRAIN	1	
15	44480-41K00-000	GUIDE, DRAIN HOSE	1	
16	44480-41K20-000	GUIDE, DRAIN HOSE NO.2	1	
17	09408-00343-000	CLAMP	1	
18	44512-44J00-000	CUSHION, FUEL TANK FRONT	2	
19	44520-20L00-000	BRACE, FUEL TANK FRONT	1	
20	44515-34J10-000	CUSHION, FUEL TANK FR BRACE	2	

FIG.423A

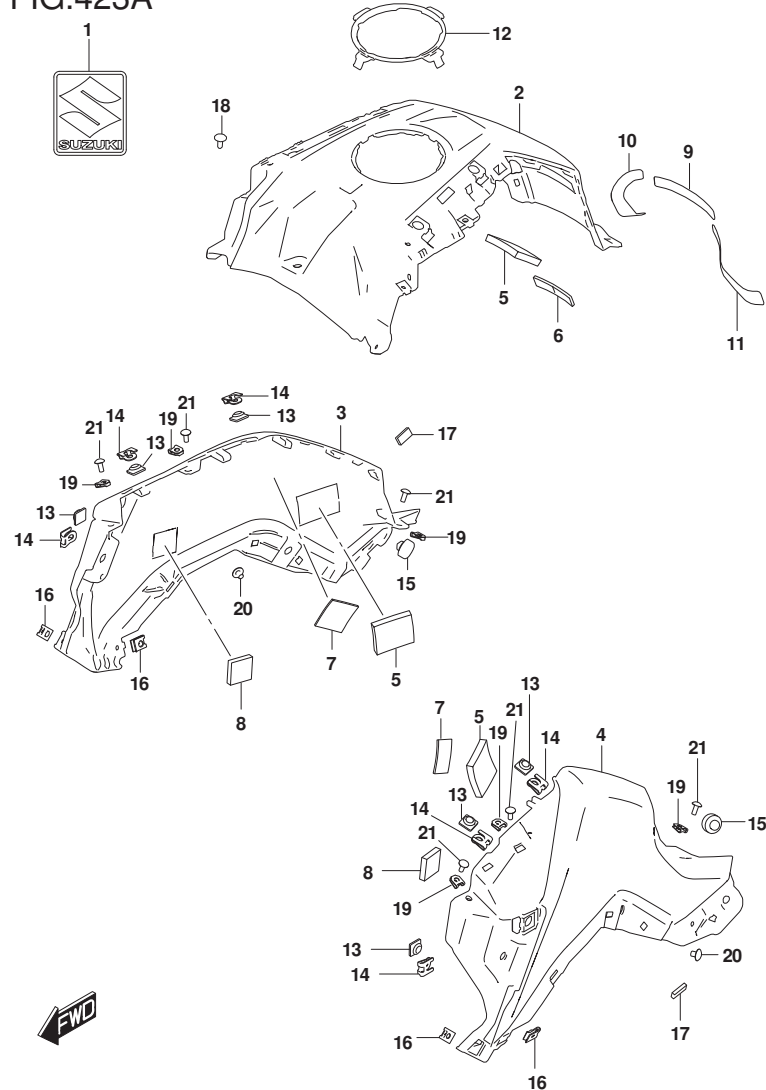


FIG.423A (1-E-7) FUEL TANK COVER

REF NO.	PART NO.	DESCRIPTION	Q'TY	REMARKS
1	68281-44K00-000	EMBLEM, S	1	
2	44171-20L01-YKV	COVER, FUEL TANK CENTER (BLACK)	1	
3	44181-20L01-YVB	COVER, FUEL TANK RH (BLACK)	1	
4	44191-20L01-YVB	COVER, FUEL TANK LH (BLACK)	1	
5	44271-20L00-000	CUSHION, FUEL TANK COV CTR NO.1	3	
6	44272-20L00-000	CUSHION, FUEL TANK COV CTR NO.2	1	
7	44281-20L00-000	CUSHION, TANK COVER SIDE NO.1	2	
8	44282-20L00-000	CUSHION, TANK COVER SIDE NO.2	2	
9	44283-20L00-000	PROTECTOR, TANK COVER CTR	1	
10	44284-20L00-000	PROTECTOR, FUEL TANK COVER RH	1	
11	44285-20L00-000	PROTECTOR, FUEL TANK COVER LH	1	
12	44295-41K00-000	RUBBER, FUEL TANK COVER	1	
13	44523-20L00-000	NUT (M5)	6	
14	44552-20L00-000	CLIP, NUT	6	
15	45148-27K00-000	CUSHION, SEAT MOUNT	2	
16	47349-34J01-000	NUT (M5)	4	
17	63114-41K00-000	CUSHION, FENDER RR FR	2	
18	09139-05096-000	BOLT (5X13)	1	
19	09148-05L04-000	NUT (M5)	6	
20	02142-0608A-000	SCREW	2	
21	03541-0512A-000	SCREW	6	

FIG.427A

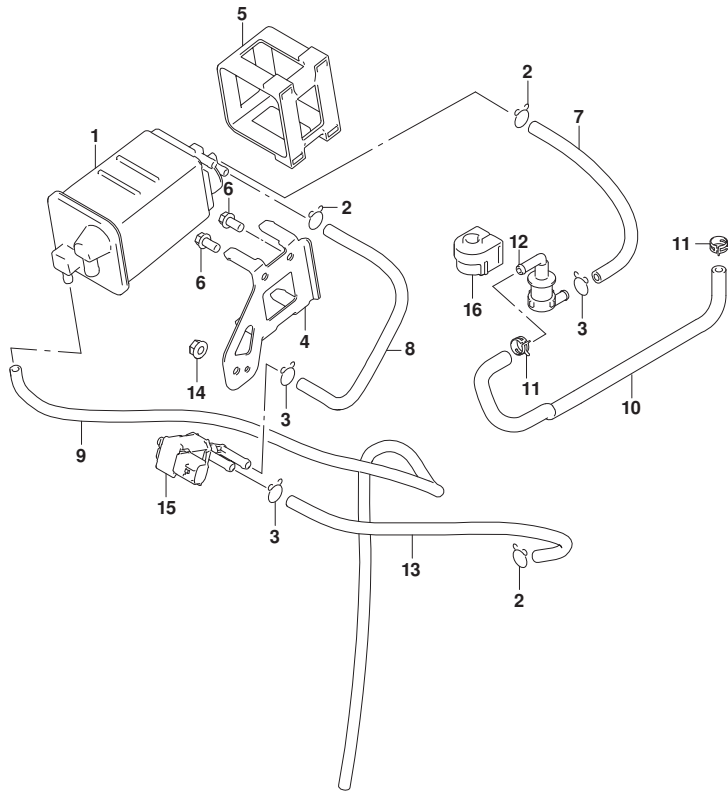


FIG.427A (1-E-8) EVAP SYSTEM

REF NO.	PART NO.	DESCRIPTION	Q'TY	REMARKS
1	18560-27KA0-000	CANISTER ASSY, EVAP	1	
2	09401-08004-000	CLIP	3	
3	09401-09406-000	CLIP	3	
4	18571-41K00-000	BRACKET, CANISTER	1	
5	18572-29J00-000	CUSHION, CANISTER	1	
6	01547-0612A-000	BOLT	2	
7	18561-41K00-000	HOSE, CANISTER SURGE	1	
8	18562-41K00-000	HOSE, CANISTER PURGE NO.1	1	
9	18568-41K00-000	HOSE, CANISTER DRAIN	1	
10	44434-20L00-000	HOSE, TANK & BRTHR VALVE	1	
11	09401-11009-000	CLIP	2	
12	44240-13H00-000	VALVE, FUEL TANK BREATHER	1	
13	18563-41K00-000	HOSE, CANISTER PURGE NO.2	1	
14	08316-1006A-000	NUT	1	
15	18117-73M00-000	VALVE, CANISTER PURGE	1	
16	44894-34J00-000	CUSHION, FUEL TANK BRTHR VALVE	1	

FIG.445A

FIG.445A (1-E-9) FRAME COVER

REF NO.	PART NO.	DESCRIPTION	Q'TY	REMARKS
1	47162-30H00-000	CUSHION (8X26X7)	4	
2	47311-20L00-000	COVER, FRAME CENTER	1	
3	47315-41K00-000	CUSHION (8-14X26-32X7)	2	
4-1	09409-06346-000	CLIP	4	ARAYMOND
4-2	09409-06L07-000	CLIP	4	HARYANA
5-1	09409-08014-000	CLIP	2	ARAYMOND
5-2	09409-08L09-000	CLIP	2	HARYANA
6-1	68135-20L00-CDT	TAPE, FRAME COVER REAR RH	1	FOR YU1
6-2	68135-20L00-CDU	TAPE, FRAME COVER REAR RH	1	FOR YVB
6-3	68135-20L00-CDV	TAPE, FRAME COVER REAR RH	1	FOR QVN
7-1	68145-20L00-CDT	TAPE, FRAME COVER REAR LH	1	FOR YU1
7-2	68145-20L00-CDU	TAPE, FRAME COVER REAR LH	1	FOR YVB
7-3	68145-20L00-CDV	TAPE, FRAME COVER REAR LH	1	FOR QVN
8-1	47131-20L00-YU1	COVER, FRAME REAR RH (YELLOW)	1	
8-2	47131-20L00-YVB	COVER, FRAME REAR RH (BLACK)	1	
8-3	47131-20L00-QVN	COVER, FRAME REAR RH (ORANGE)	1	
9	47132-20L00-000	CUSHION (20X10X10)	2	
10-1	47231-20L00-YU1	COVER, FRAME REAR LH (YELLOW)	1	
10-2	47231-20L00-YVB	COVER, FRAME REAR LH (BLACK)	1	
10-3	47231-20L00-QVN	COVER, FRAME REAR LH (ORANGE)	1	
11	63114-41K00-000	CUSHION, FENDER RR FR	4	
12	94433-05J00-000	CUSHION (10X15X1)	2	
13	09320-09016-000	CUSHION (9X18X9.5)	2	
14	09320-20011-000	CUSHION (20X32X9)	2	
15	09409-08009-000	CLIP	2	
16	09139-06219-000	BOLT (6X13)	2	
17	68155-34J00-J7A	EMBLEM, ABS (GRAY/BLACK)	1	

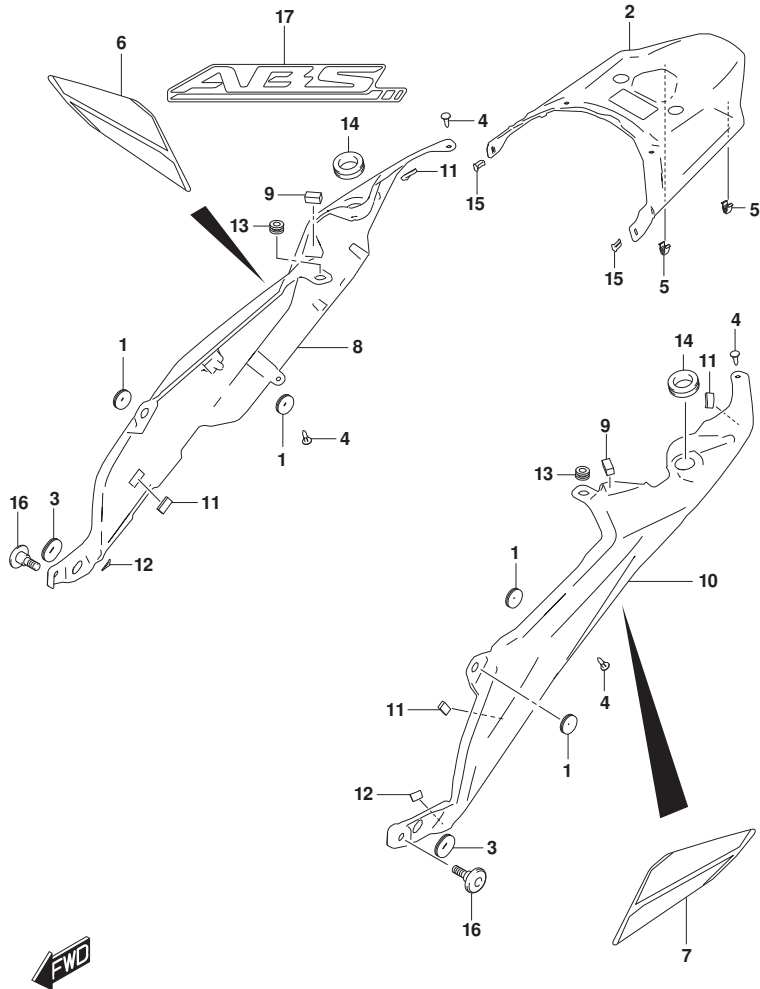


FIG.446A

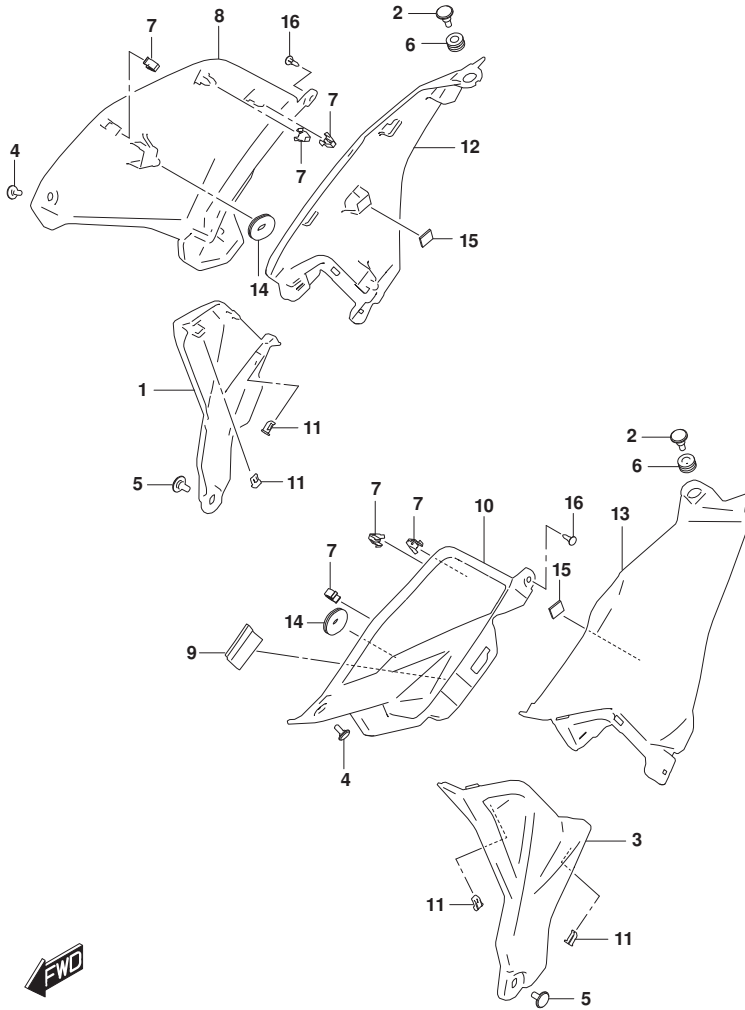


FIG.446A (1-E-10) FRAME LOWER COVER

REF NO.	PART NO.	DESCRIPTION	Q'TY	REMARKS
1	47111-20L00-YHG	COVER, FRAME RH (GRAY)	1	
2	47123-41K00-000	SCREW (6X20)	2	
3	47211-20L00-YHG	COVER, FRAME LH (GRAY)	1	
4	09139-05092-000	SCREW (5X13)	2	
5	09139-06230-000	SCREW (6X13)	2	
6	09320-09016-000	CUSHION (9X18X9.5)	2	
7-1	09409-08014-000	CLIP	6	ARAYMOND
7-2	09409-08L09-000	CLIP	6	HARYANA
8	47121-20L00-000	COVER, FRAME FRONT RH	1	
9	47122-20L00-000	CUSHION (40X40X3)	1	
10	47221-20L00-000	COVER, FRAME FRONT LH	1	
11	09409-08009-000	CLIP	4	
12	47112-20L00-000	COVER, FRAME UPPER RH	1	
13	47212-20L00-000	COVER, FRAME UPPER LH	1	
14	47315-41K00-000	CUSHION (8-14X26-32X7)	2	
15	94642-10GA0-000	CUSHION (15X15X2)	2	
16-1	09409-06346-000	CLIP	2	ARAYMOND
16-2	09409-06L07-000	CLIP	2	HARYANA

FIG.460A

FIG.460A (1-E-11) FRONT FENDER

REF NO.	PART NO.	DESCRIPTION	QTY	REMARKS
1	47123-41K00-000	SCREW (6X20)	2	
2	47161-23J00-000	CUSHION (10X22X7)	2	
3	53111-20L00-000	FENDER, FRONT	1	
4	53275-34J00-000	SPACER, FR FENDER	2	
5	09160-06060-000	WASHER (6.5X20X1.2)	2	
6	09160-09015-000	WASHER (9X19X1.0)	2	
7	09320-09016-000	CUSHION (9X18X9.5)	2	
8	01550-0620A-000	BOLT	2	

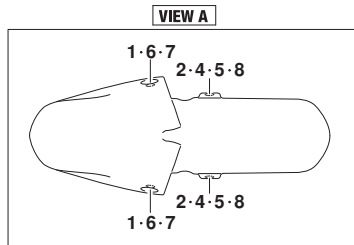
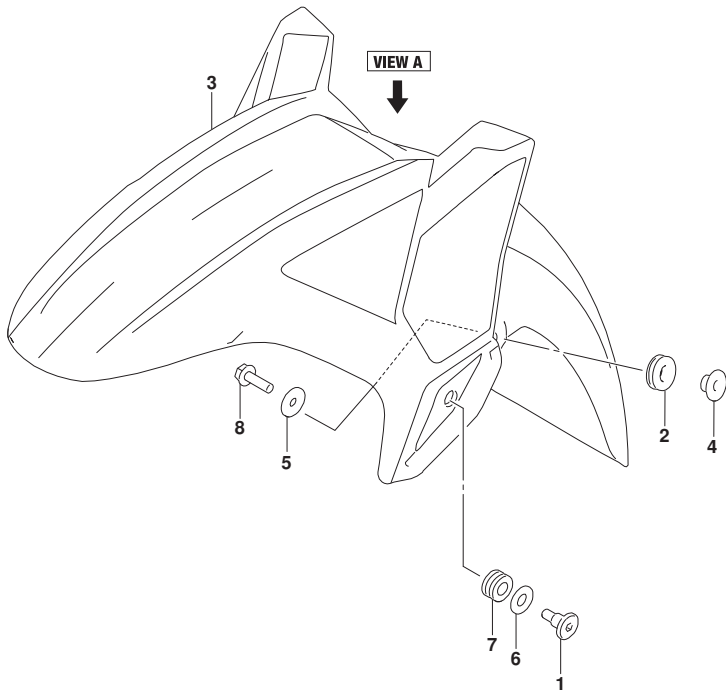


FIG.462A

FIG.462A (1-E-12) HANDLEBAR

REF NO.	PART NO.	DESCRIPTION	Q'TY	REMARKS
1	56110-20L00-000	HANDLEBAR	1	
2	56278-20L00-000	BALANCER, HANDLEBAR	2	
3	57346-41KA0-000	SPACER, KNUCKLE COVER	2	
4	07130-0655B-000	BOLT	2	

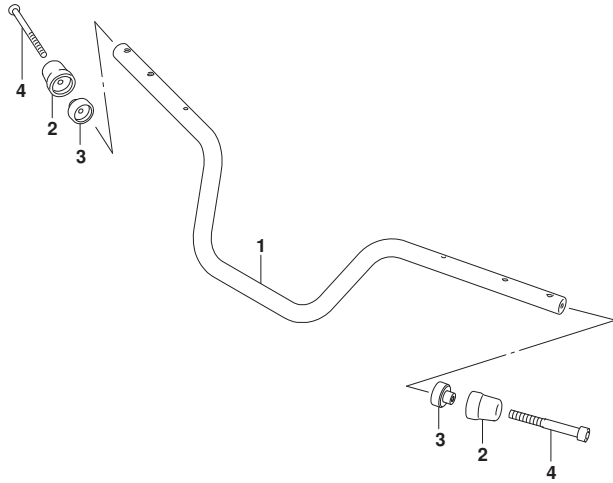


FIG.464A

FIG.464A (1-E-13) REAR VIEW MIRROR

REF NO.	PART NO.	DESCRIPTION	Q'TY	REMARKS
1	56500-34JB0-000	MIRROR ASSY, REAR VIEW RH	1	
2	56600-34JB0-000	MIRROR ASSY, REAR VIEW LH	1	

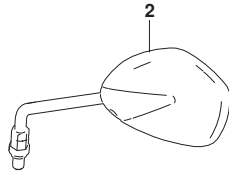
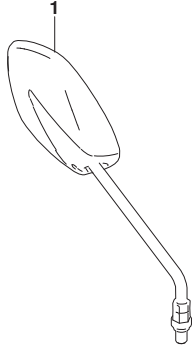


FIG.466A

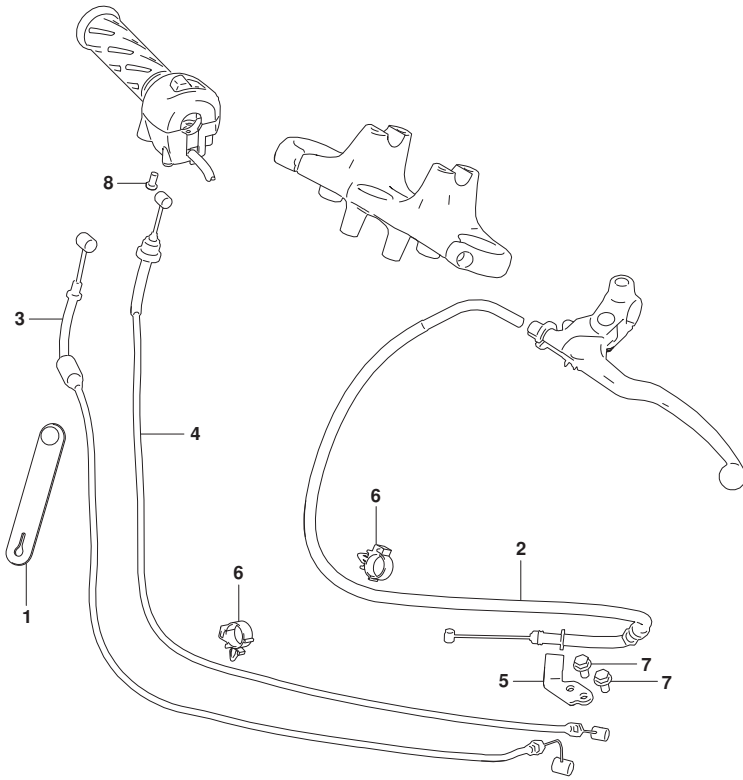


FIG.466A (1-E-14) CONTROL CABLE

REF NO.	PART NO.	DESCRIPTION	Q'TY	REMARKS
1	36990-20L10-000	CLAMP	1	
2	58200-20L00-000	CABLE ASSY, CLUTCH	1	
3	58300-20L00-000	CABLE ASSY, THROTTLE NO.1	1	
4	58300-20L10-000	CABLE ASSY, THROTTLE NO.2	1	
5	58634-41K10-000	STOPPER, CLUTCH CABLE	1	
6	09403-18409-000	CLAMP	2	
7	01550-0612A-000	BOLT	2	
8	02112-0510B-000	SCREW	1	

FIG.467A

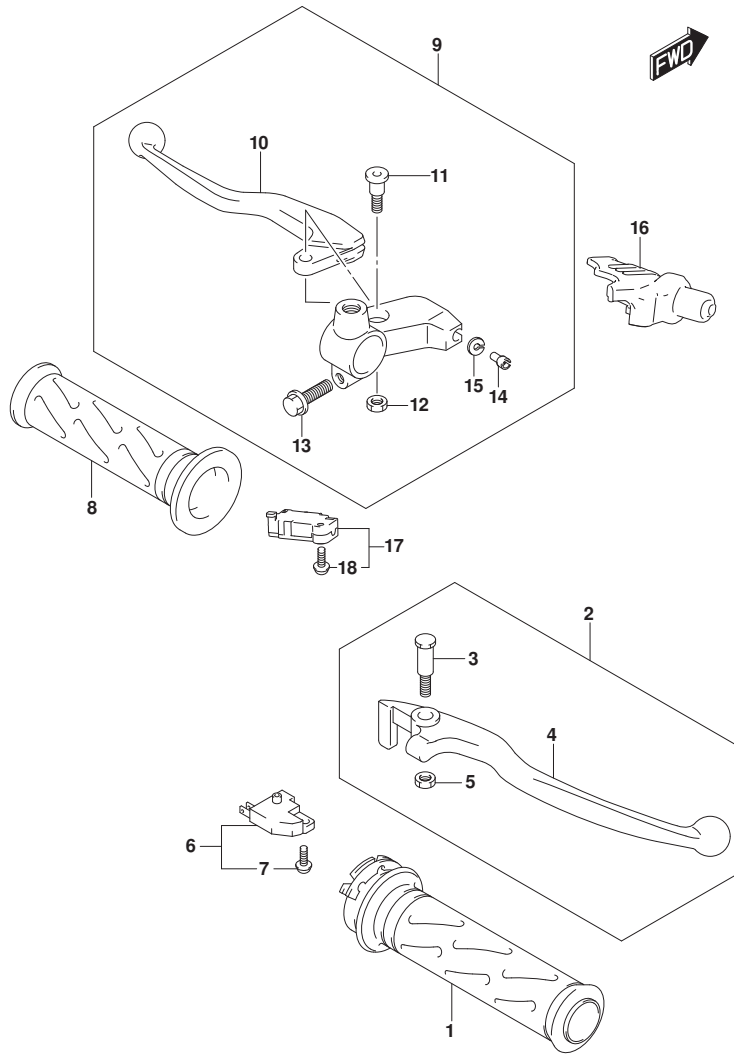


FIG.467A (1-F-2) HANDLE LEVER

REF NO.	PART NO.	DESCRIPTION	Q'TY	REMARKS
1	57110-30H11-000	GRIP, THROTTLE	1	
2	57300-41K00-000	LEVER ASSY, BRAKE	1	
3	57431-30H20-000	.BOLT, BRAKE LEVER PIVOT	1	
4	57421-41K00-000	.LEVER, BRAKE	1	
5	57433-30H10-000	.NUT, BRAKE LEVER PIVOT	1	
6	57460-30H00-000	SWITCH ASSY, FR BRAKE	1	
7	57465-30H00-000	.SCREW	1	
8	57211-22D12-000	GRIP LH	1	
9	57500-41K00-000	LEVER ASSY, CLUTCH	1	
10	57621-41K00-000	.LEVER, CLUTCH	1	
11	57431-41K00-000	.BOLT, CLUTCH LEVER PIVOT	1	
12	08319-2106A-000	.NUT	1	
13	01547-0620B-000	.BOLT	1	
14	57441-41K00-000	.ADJUSTER, CLUTCH CABLE	1	
15	57442-41K00-000	.NUT, LOCK	1	
16	57661-41K00-000	COVER, CLUTCH LEVER	1	
17	37560-41K00-000	SWITCH ASSY, CLUTCH	1	
18	37562-41K00-000	.SCREW, CLUTCH SWITCH	1	

FIG.472A

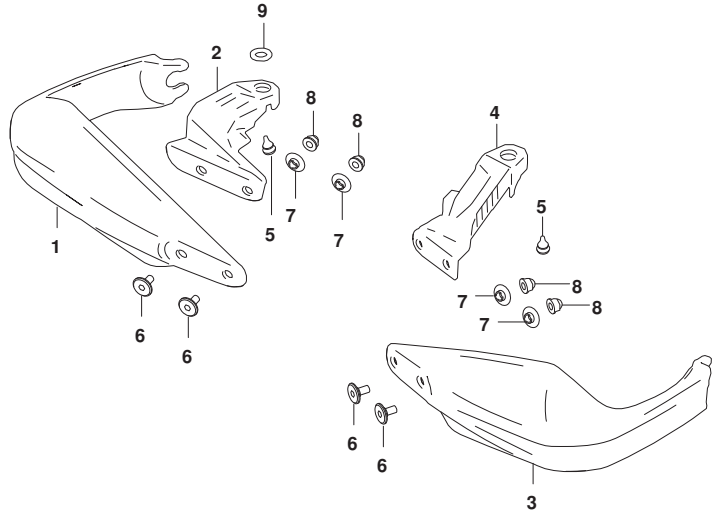


FIG.472A (1-F-3) KNUCKLE COVER

REF NO.	PART NO.	DESCRIPTION	Q'TY	REMARKS
1	57341-41KA1-000	COVER, KNUCKLE RH	1	
2	57472-20L00-000	BRACKET, KNUCKLE COVER RH	1	
3	57541-41KA1-000	COVER, KNUCKLE LH	1	
4	57672-20L00-000	BRACKET, KNUCKLE COVER LH	1	
5	63118-41K00-000	PLUG, REAR FENDER	2	
6	09139-06230-000	SCREW (6X13)	4	
7	09169-06099-000	WASHER	4	
8	08313-2006B-000	NUT	4	
9	08322-0110A-000	WASHER	1	



FIG.474A

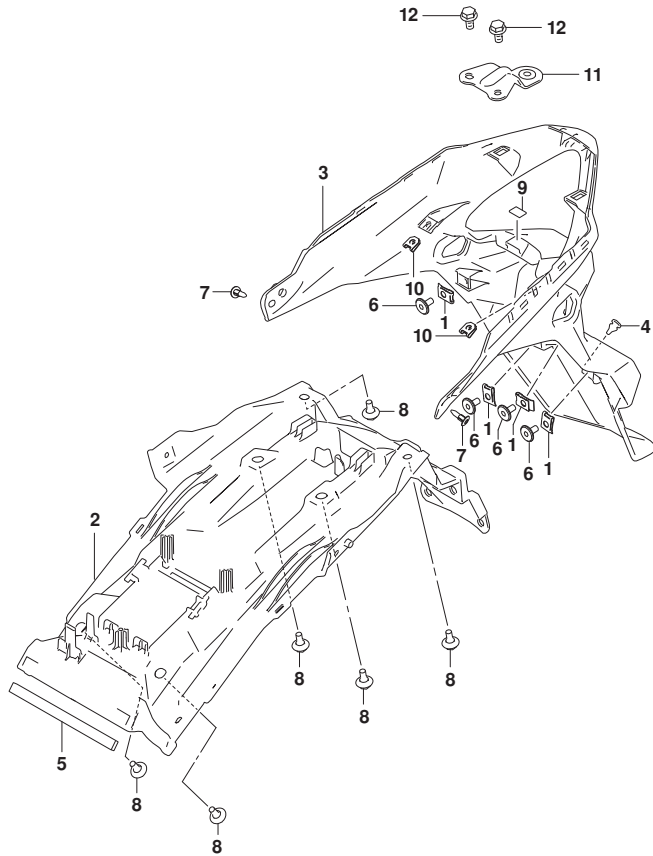


FIG.474A (1-F-4) REAR FENDER

REF NO.	PART NO.	DESCRIPTION	Q'TY	REMARKS
1	35157-34J00-000	NUT (M6)	4	
2	63111-20L00-000	FENDER, REAR FRONT	1	
3	63112-20L00-000	FENDER, REAR REAR	1	
4	63118-41K00-000	PLUG, REAR FENDER	1	
5	63191-34J00-000	CUSHION, REAR FENDER	1	
6	09139-06230-000	SCREW (6X13)	4	
7-1	09409-06346-000	CLIP	2	ARAYMOND
7-2	09409-06L07-000	CLIP	2	HARYANA
8	09111-06102-000	BOLT (6X14.8)	6	
9	94433-05J00-000	CUSHION (10X15X1)	1	
10	09148-05060-000	NUT (M5)	2	
11	47410-20L00-000	BRACKET, REAR COMB LAMP	1	
12	01550-0612A-000	BOLT	2	



FIG.481A

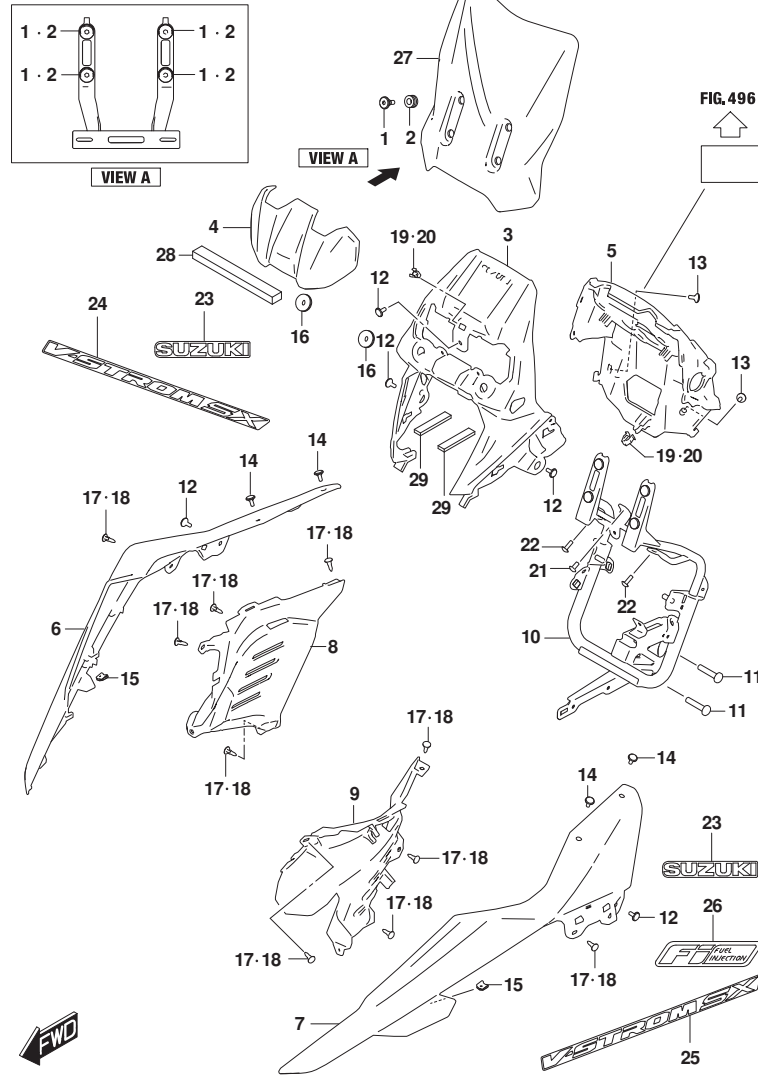


FIG.481A (1-F-5) COWLING BODY

REF NO.	PART NO.	DESCRIPTION	Q'TY	REMARKS
1	09139-06242-000	SCREW	4	
2	09320-09016-000	CUSHION (9X18X9.5)	4	
3	94411-20L00-000	COWLING, BODY	1	
4	94412-20L00-291	COWLING, BODY UPPER (BLACK)	1	
5	94414-20L00-000	COVER, METER	1	
6-1	94421-20L11-YU1	COWLING, SIDE UPPER RH (YELLOW)	1	
6-2	94421-20L11-YVB	COWLING, SIDE UPPER RH (BLACK)	1	
6-3	94421-20L11-QVN	COWLING, SIDE UPPER RH (ORANGE)	1	
7-1	94431-20L11-YU1	COWLING, SIDE UPPER LH (YELLOW)	1	
7-2	94431-20L11-YVB	COWLING, SIDE UPPER LH (BLACK)	1	
7-3	94431-20L11-QVN	COWLING, SIDE UPPER LH (ORANGE)	1	
8	94471-20L00-000	COWLING, INNER RH	1	
9	94481-20L00-000	COWLING, INNER LH	1	
10	94510-20L00-000	BRACE, COWLING	1	
11	94621-34J10-000	BOLT, BRACE COWLING	2	
12	09139-05091-000	SCREW (5X13)	5	
13	09139-05092-000	SCREW (5X13)	2	
14	09139-05096-000	BOLT (5X13)	4	
15	09148-05060-000	NUT (M5)	2	
16	09320-08018-000	CUSHION (8X26X7)	2	
17	09409-06L07-000	CLIP	10	HARYANA
18	09409-06346-000	CLIP	10	ARAYMOND
19	09409-08L09-000	CLIP	2	HARYANA
20	09409-08014-000	CLIP	2	ARAYMOND
21	03541-0512A-000	SCREW	1	
22	03541-0516A-000	SCREW	2	
23-1	68181-20L00-GY8	EMBLEM, SUZUKI (YELLOW/BLACK)	2	FOR YU1
23-2	68181-20L00-AJM	EMBLEM, SUZUKI (BLACK/GRAY)	2	FOR YVB
23-3	68181-20L00-CDY	EMBLEM, SUZUKI (BLACK/ORANGE)	2	FOR QVN
24-1	68182-20L00-CDW	EMBLEM, SIDE COWL RH	1	FOR YU1
24-2	68182-20L00-CDU	EMBLEM, SIDE COWL RH	1	FOR YVB
24-3	68182-20L00-CDV	EMBLEM, SIDE COWL RH	1	FOR QVN

FIG.481A

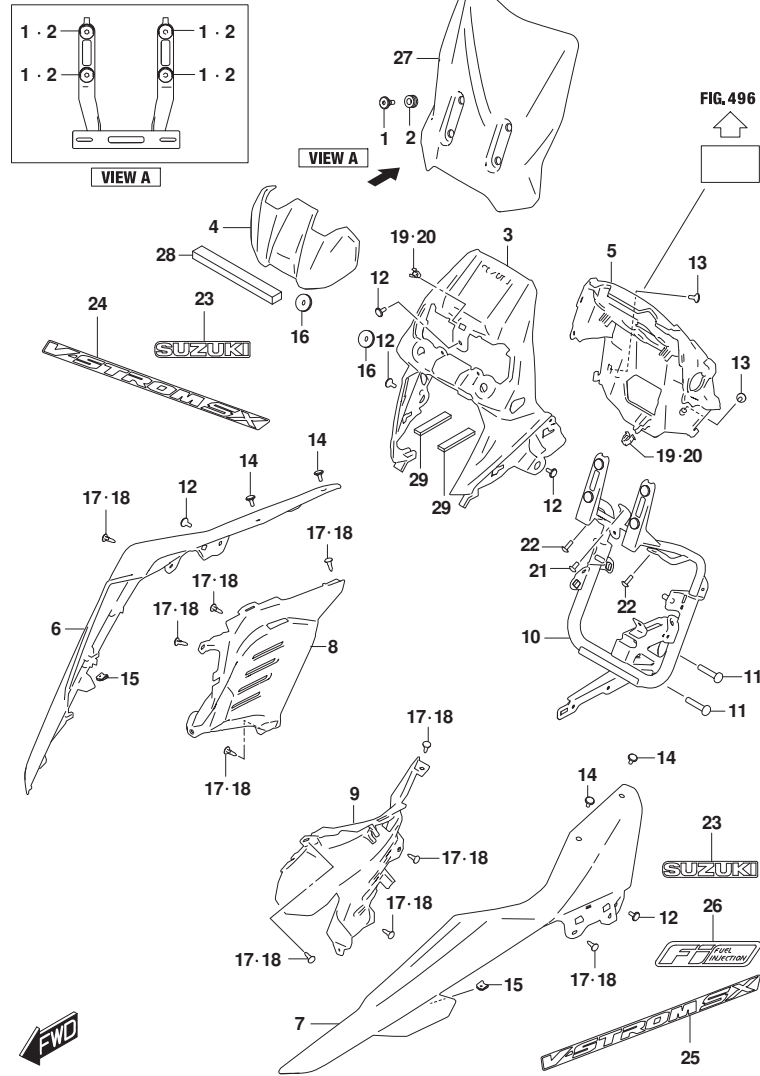


FIG.481A (1-F-6) COWLING BODY

REF NO.	PART NO.	DESCRIPTION	QTY	REMARKS
25-1	68192-20L00-CDW	EMBLEM, SIDE COWL LH	1	FOR YU1
25-2	68192-20L00-CDU	EMBLEM, SIDE COWL LH	1	FOR YVB
25-3	68192-20L00-CDV	EMBLEM, SIDE COWL LH	1	FOR QVN
26	68281-02L00-000	EMBLEM, FI	1	
27	94611-20L00-000	WINDSCREEN	1	
28	94416-20L00-000	CUSHION (130X10X15)	1	
29	94417-20L00-000	CUSHION	2	

FIG.483A

FIG.483A (1-F-7) UNDER COWLING

REF NO.	PART NO.	DESCRIPTION	Q'TY	REMARKS
1	94570-20L00-000	BRACKET, UNDER COWL NO.1	1	
2	94580-20L00-000	BRACKET, UNDER COWL NO.2	1	
3	01550-0620A-000	BOLT	2	
4	94460-20L00-000	COWLING, UNDER	1	
5	09103-06553-000	BOLT	1	
6	09139-06205-000	SCREW	4	
7	09160-06152-000	WASHER (6.5X20X1.2)	2	
8	09180-06382-000	SPACER	4	
9	09320-10078-000	CUSHION (10X20X10)	4	
10	08319-3106B-000	NUT	1	

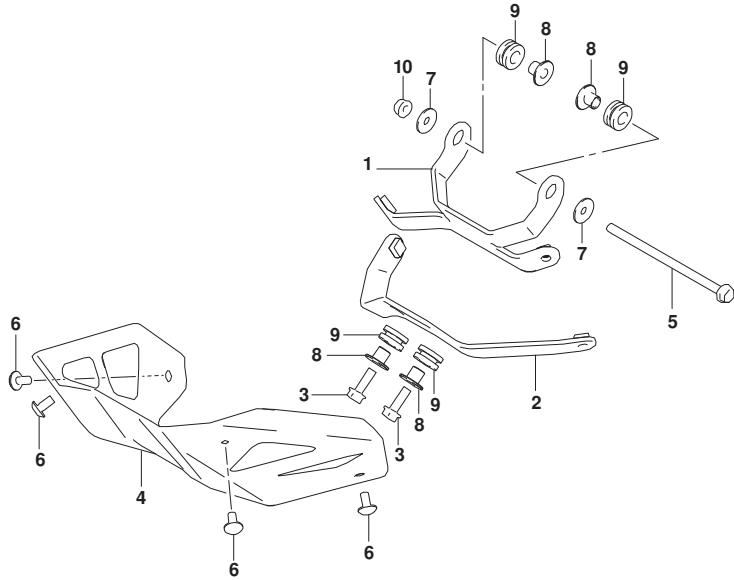
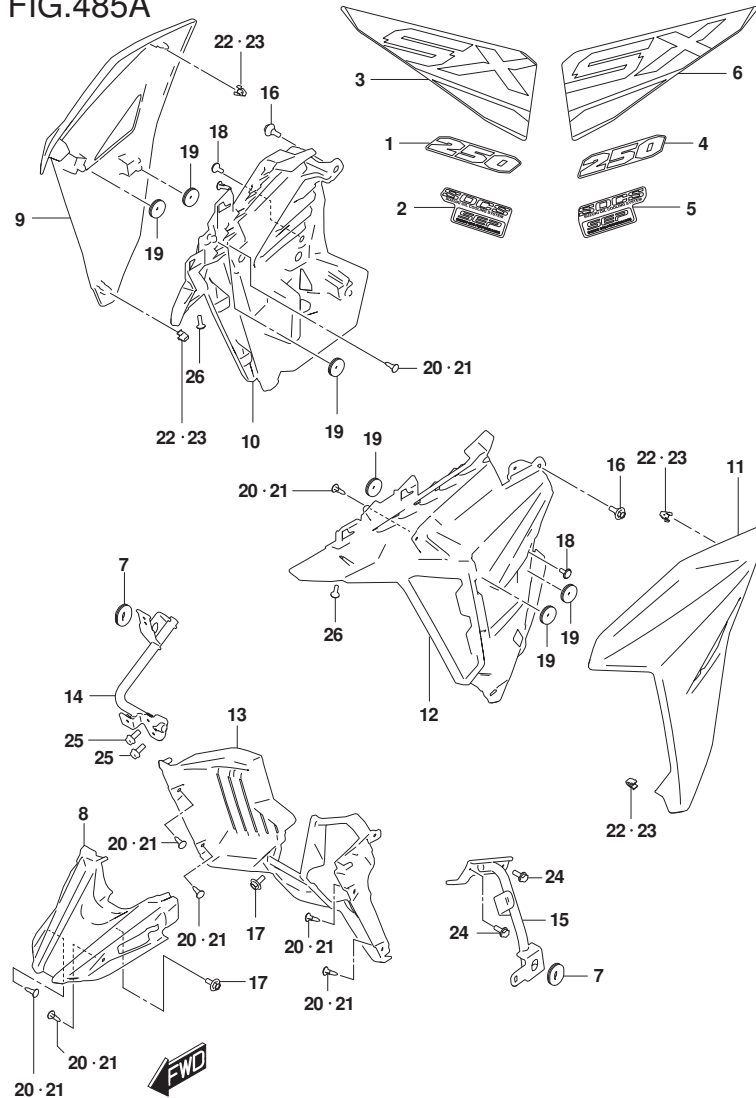


FIG.485A



DS250RLM4_P08_485A
SIDE COWLING

FIG.485A (1-F-8) SIDE COWLING

REF NO.	PART NO.	DESCRIPTION	Q'TY	REMARKS
1-1	68183-20L00-CDZ	EMBLEM, SIDE COVER NO.1 RH (BLUE/YELLOW)	1	FOR YU1
1-2	68183-20L00-JSP	EMBLEM, SIDE COVER NO.1 RH (BLACK/RED)	1	FOR YVB
1-3	68183-20L00-CC7	EMBLEM, SIDE COVER NO.1 RH (ORANGE/BLACK)	1	FOR QVN
2-1	68184-20L00-CD1	EMBLEM, SIDE COVER NO.2 RH (SILVER/YELLOW)	1	FOR YU1
2-2	68184-20L00-AA3	EMBLEM, SIDE COVER NO.2 RH (GRAY/BLACK)	1	FOR YVB
2-3	68184-20L00-CD2	EMBLEM, SIDE COVER NO.2 RH (GRAY/ORANGE)	1	FOR QVN
3-1	68185-20L00-CDT	TAPE, SIDE COVER RH	1	FOR YU1
3-2	68185-20L00-CDU	TAPE, SIDE COVER RH	1	FOR YVB
3-3	68185-20L00-CDV	TAPE, SIDE COVER RH	1	FOR QVN
4-1	68193-20L00-CDZ	EMBLEM, SIDE COVER NO.1 LH (BLUE/YELLOW)	1	FOR YU1
4-2	68193-20L00-JSP	EMBLEM, SIDE COVER NO.1 LH (BLACK/RED)	1	FOR YVB
4-3	68193-20L00-CC7	EMBLEM, SIDE COVER NO.1 LH (ORANGE/BLACK)	1	FOR QVN
5-1	68194-20L00-CD1	EMBLEM, SIDE COVER NO.2 LH (SILVER/YELLOW)	1	FOR YU1
5-2	68194-20L00-AA3	EMBLEM, SIDE COVER NO.2 LH (GRAY/BLACK)	1	FOR YVB
5-3	68194-20L00-CD2	EMBLEM, SIDE COVER NO.2 LH (GRAY/ORANGE)	1	FOR QVN
6-1	68195-20L00-CDT	TAPE, SIDE COVER LH	1	FOR YU1
6-2	68195-20L00-CDU	TAPE, SIDE COVER LH	1	FOR YVB
6-3	68195-20L00-CDV	TAPE, SIDE COVER LH	1	FOR QVN
7	47315-41K00-000	CUSHION (8-14X26-32X7)	2	
8	94413-20L00-000	COWLING, BODY CTR	1	
9-1	94441-20L00-YU1	COVER, SIDE RH (YELLOW)	1	
9-2	94441-20L00-YVB	COVER, SIDE RH (BLACK)	1	
9-3	94441-20L00-QVN	COVER, SIDE RH (ORANGE)	1	
10	94442-20L00-000	COVER, SIDE INNER RH	1	

DS250RLM4_P08

FIG.485A

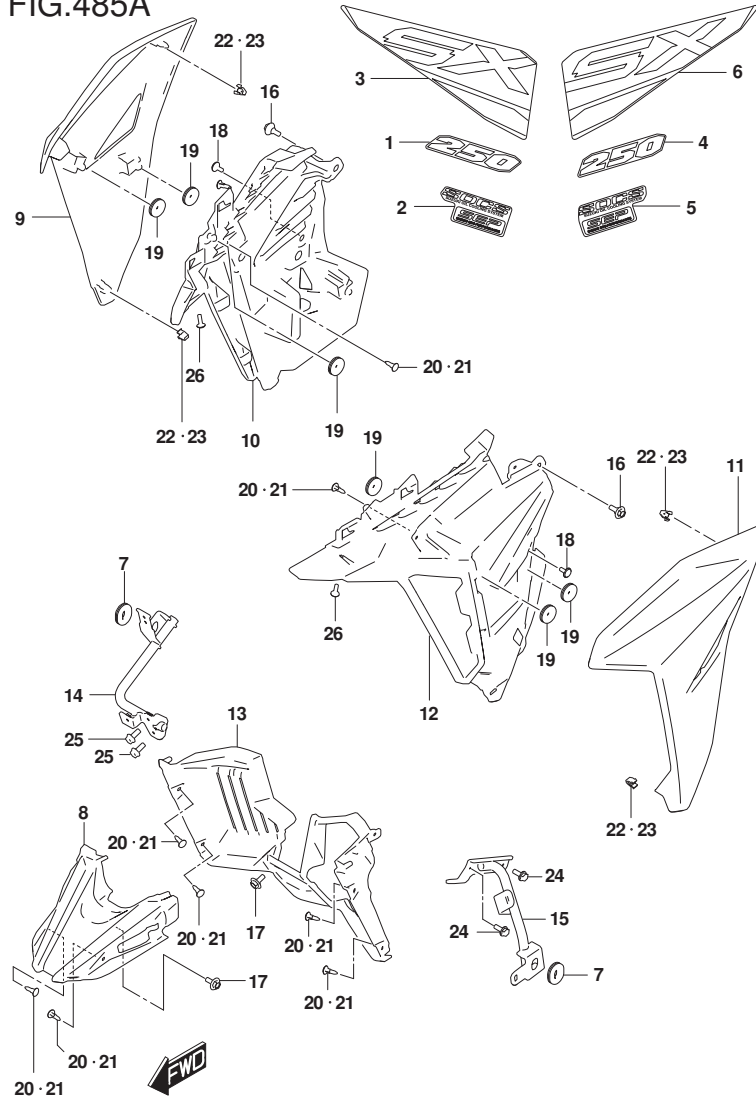


FIG.485A (1-F-9) SIDE COWLING

REF NO.	PART NO.	DESCRIPTION	Q'TY	REMARKS
11-1	94451-20L00-YU1	COVER, SIDE LH (YELLOW)	1	
11-2	94451-20L00-YVB	COVER, SIDE LH (BLACK)	1	
11-3	94451-20L00-QVN	COVER, SIDE LH (ORANGE)	1	
12	94452-20L00-000	COVER, SIDE INNER LH	1	
13	94491-20L00-000	COWLING, INNER CTR	1	
14	94530-20L00-000	BRACKET, SIDE COWL RH	1	
15	94540-20L00-000	BRACKET, SIDE COWL LH	1	
16	09111-06072-000	BOLT (6X17.8)	2	
17	09111-06102-000	BOLT (6X14.8)	2	
18	09139-05091-000	SCREW (5X13)	2	
19	09320-08018-000	CUSHION (8X26X7)	6	
20	09409-06L07-000	CLIP	8	HARYANA
21	09409-06346-000	CLIP	8	ARAYMOND
22	09409-08L09-000	CLIP	4	HARYANA
23	09409-08014-000	CLIP	4	ARAYMOND
24	01550-0616A-000	BOLT	2	
25	01550-0616B-000	BOLT	2	
26	03541-0516A-000	SCREW	2	

FIG.496A

FIG.496A (1-F-10) LABEL

REF NO.	PART NO.	DESCRIPTION	Q'TY	REMARKS
1	68319-39J00-000	LABEL, GENERAL WARNING	1	
2	68332-20L00-000	LABEL, TIRE INFORMATION	1	

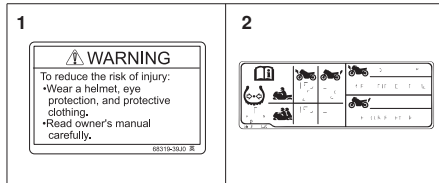
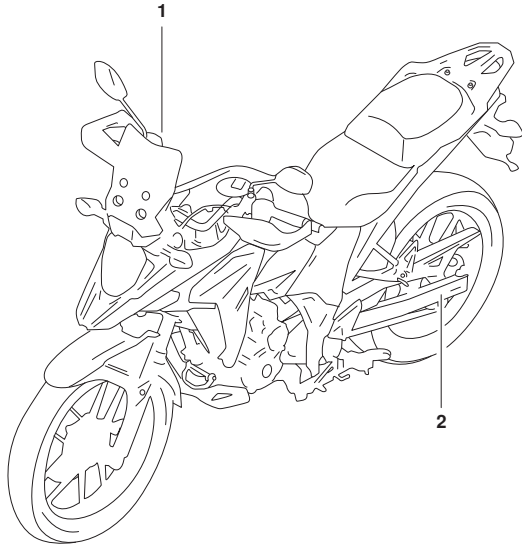


FIG.497A

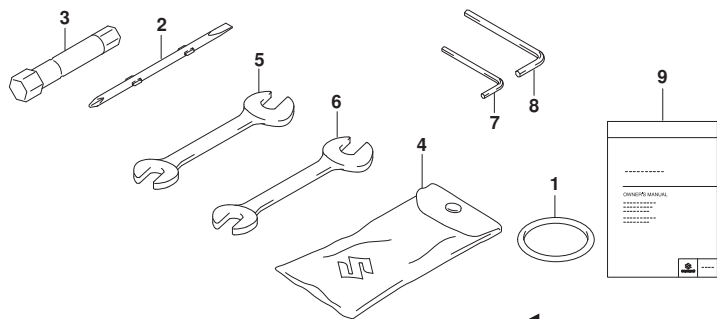


FIG.497A (1-F-11) MANUAL/TOOLS

REF NO.	PART NO.	DESCRIPTION	Q'TY	REMARKS
1	47435-34J00-000	BAND, TOOL	1	
2	96412-33G50-000	DRIVER (+,-)	1	
3	96414-33G50-000	SPANNER, BOX (16)	1	
4	96511-20L00-000	BAG, TOOL	1	
5	96513-23J00-000	SPANNER, OPEN (10X12)	1	
6	96513-23J10-000	SPANNER, OPEN (14X17)	1	
7	96514-23J00-000	SPANNER, HEXAGON (4)	1	
8	96514-23J10-000	SPANNER, HEXAGON (5)	1	
9	99011-20L10-08A	MANUAL, OWNER'S	1	

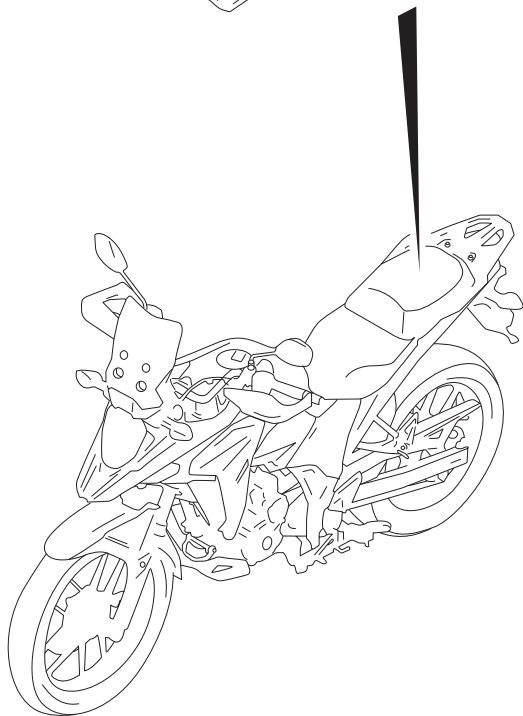


FIG.505A

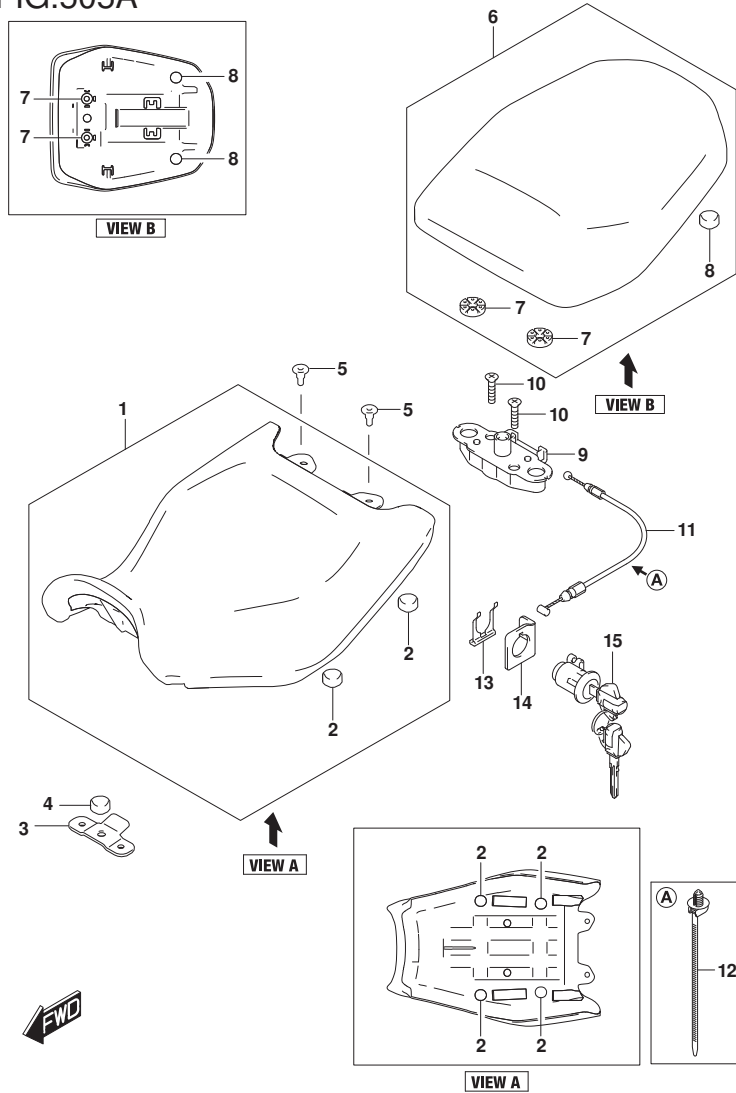


FIG.505A (1-F-12) SEAT

REF NO.	PART NO.	DESCRIPTION	Q'TY	REMARKS
1	45100-20L00-QV4	SEAT ASSY (BLACK)	1	
2	45148-27K00-000	.CUSHION, SEAT MOUNT	4	
3	45316-41K00-000	BRACKET, SEAT FRONT	1	
4	45148-27K00-000	CUSHION, SEAT MOUNT	1	
5	09139-06241-000	BOLT	2	
6	45300-20L00-CDC	SEAT ASSY, PILLION (BLACK/GRAY)	1	
7	45213-28G20-000	.CUSHION, SEAT LOCK STRIKER	2	
8	45148-27K00-000	.CUSHION, SEAT MOUNT	2	
9	45220-28G21-000	BRACKET, SEAT SUPPORT	1	
10	02122-0630A-000	SCREW	2	
11	45280-20L00-000	CABLE, SEAT LOCK	1	
12	09407-17403-000	CLAMP (L:170)	1	
13	45289-11F00-000	PLATE, SEAT LOCK ASSY	1	
14	45288-20L00-000	GUIDE, SEAT LOCK CABLE	1	
15	95700-09870-000	LOCK ASSY, SEAT	1	

FIG.521A

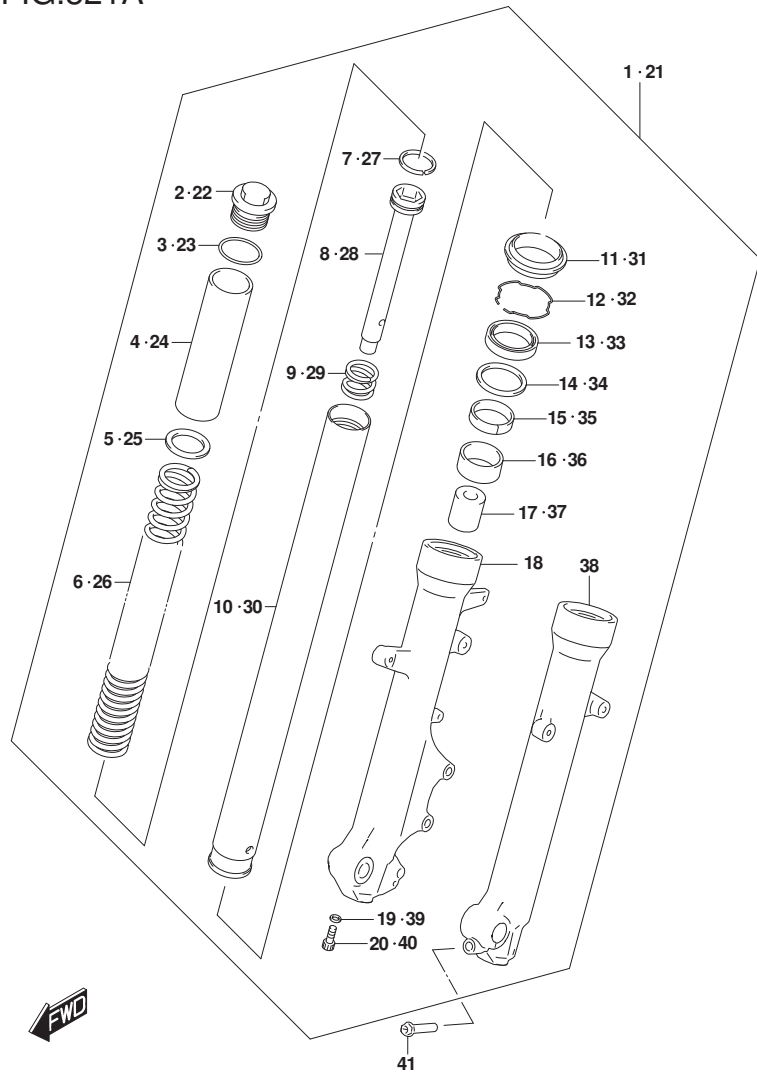


FIG.521A (1-F-13) FRONT FORK DAMPER

REF NO.	PART NO.	DESCRIPTION	Q'TY	REMARKS
1	51103-20L00-291	DAMPER ASSY, FR FORK RH (BLACK)	1	
2	51113-27K00-000	.BOLT	1	
3	51181-34J00-000	.O RING	1	
4	51176-20L00-000	.SPACER, SPRING UPPER	1	
5	51172-34J00-000	.WASHER	1	
6	51171-20L00-000	.SPRING	1	
7	51196-34J00-000	.RING, PISTON	1	
8	51146-20L00-000	.CYLINDER	1	
9	51177-34J00-000	.SPRING, REBOUND	1	
10	51110-20L00-000	.TUBE, INNER	1	
11	51173-34J00-000	.SEAL, DUST	1	
12	51156-34J00-000	.RING, SNAP	1	
13	51153-34J00-000	.OIL SEAL	1	
14	51158-34J00-000	.WASHER	1	
15	51167-34J00-000	.METAL, SLIDE	1	
16	51121-34J00-000	.BUSH, SLIDE	1	
17	51195-34J00-000	.PIECE, OIL LOCK	1	
18	51131-20L00-291	.TUBE, OUTER RH (BLACK)	1	
19	51148-34J00-000	.GASKET LOWER	1	
20	51147-41K00-000	.BOLT	1	
21	51104-20L00-291	DAMPER ASSY, FR FORK LH (BLACK)	1	
22	51113-27K00-000	.BOLT	1	
23	51181-34J00-000	.O RING	1	
24	51176-20L00-000	.SPACER, SPRING UPPER	1	
25	51172-34J00-000	.WASHER	1	
26	51171-20L00-000	.SPRING	1	
27	51196-34J00-000	.RING, PISTON	1	
28	51146-20L00-000	.CYLINDER	1	
29	51177-34J00-000	.SPRING, REBOUND	1	
30	51110-20L00-000	.TUBE, INNER	1	
31	51173-34J00-000	.SEAL, DUST	1	
32	51156-34J00-000	.RING, SNAP	1	
33	51153-34J00-000	.OIL SEAL	1	
34	51158-34J00-000	.WASHER	1	

FIG.521A

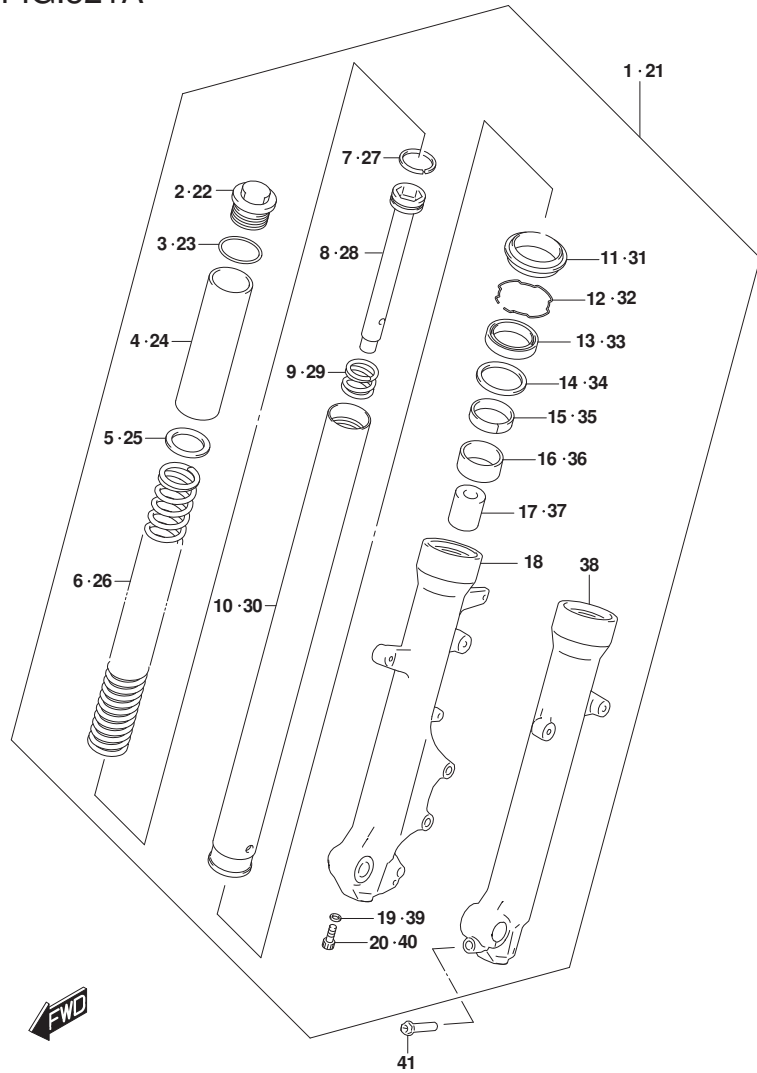


FIG.521A (1-F-14) FRONT FORK DAMPER

REF NO.	PART NO.	DESCRIPTION	QTY	REMARKS
35	51167-34J00-000	.METAL, SLIDE	1	
36	51121-34J00-000	.BUSH, SLIDE	1	
37	51195-34J00-000	.PIECE, OIL LOCK	1	
38	51141-20L00-291	.TUBE, OUTER LH (BLACK)	1	
39	51148-34J00-000	.GASKET LOWER	1	
40	51147-41K00-000	.BOLT	1	
41	51147-34J00-000	BOLT	1	

FIG.524A

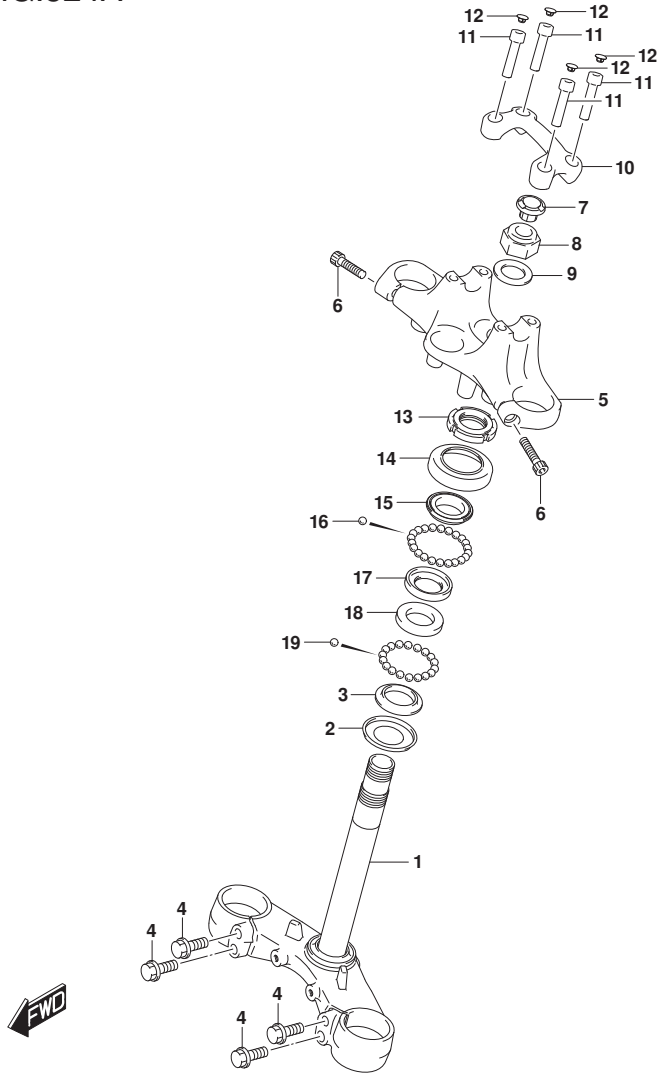


FIG.524A (1-G-2) STEERING STEM

REF NO.	PART NO.	DESCRIPTION	Q'TY	REMARKS
1	51410-20L00-000	BRACKET, FR FORK LOWER	1	
2	51644-41K00-000	SEAL, STEERING LOWER	1	
3	51622-41K00-000	RACE, STEERING OUTER LWR	1	
4	51434-41K00-000	BOLT, FR FORK LOWER BRACKET	4	
5	51311-20L00-291	BRACKET, FR FORK UPPER (BLACK)	1	
6	51328-34J00-000	BOLT	2	
7	51344-41K00-000	CAP, STEERING STEM	1	
8	51353-41K00-000	NUT, STEERING STEM TOP	1	
9	51356-34J00-000	WASHER	1	
10	51331-41K00-291	HOLDER, HANDLE UPPER (BLACK)	1	
11	51321-41K00-000	BOLT, HANDLE HOLDER UPPER	4	
12	56246-41K00-000	CAP, HANDLEBAR BOLT	4	
13	51631-28000-000	NUT, STEERING STEM (25X44X10)	1	
14	51643-25001-000	DUST SEAL, STEERING UPR	1	
15	51621-28000-000	RACE, STEERING OUTER UPR	1	
16	06111-06004-000	BALL	22	
17	51611-20002-000	RACE, STEERING INNER UPR	1	
18	51611-33002-000	RACE, STEERING INNER LWR	1	
19	06111-08004-000	BALL	18	

FIG.530A

FIG.530A (1-G-3) FRONT WHEEL

REF NO.	PART NO.	DESCRIPTION	Q'TY	REMARKS
1	54111-20L01-QC3	WHEEL, FRONT (19M/CXMT2.50) (BLACK)	1	
2	54731-41K00-000	SPACER, FRONT HUB BEARING	1	
3	54841-48H10-000	SEAL, WHEEL DUST	2	
4	08123-6302B-000	BEARING	2	
5	43130-24A70-000	VALVE ASSY, WHEEL RIM (TR412)	1	
6	55110-20L01-000	TIRE, FRONT (100/90-19 M/C 57S)	1	MOGRIP METEOR-FM2,MRF
7	54711-41K00-000	AXLE, FRONT	1	
8	54751-41K00-000	SPACER, FRONT AXLE RH	1	
9	59211-20L00-000	DISC, FRONT BRAKE	1	
10	59218-34J20-000	BOLT, FRONT BRAKE DISC	5	
11	54162-20L00-000	RING, SPEED SENSOR FR (58T)	1	
12	07130-0512A-000	BOLT	5	
13-1	55411-41K00-000	BALANCER, WHEEL NO.1 (10G)	AR	
13-2	55412-41K00-000	BALANCER, WHEEL NO.2 (20G)	AR	
13-3	55413-41K00-000	BALANCER, WHEEL NO.3 (30G)	AR	

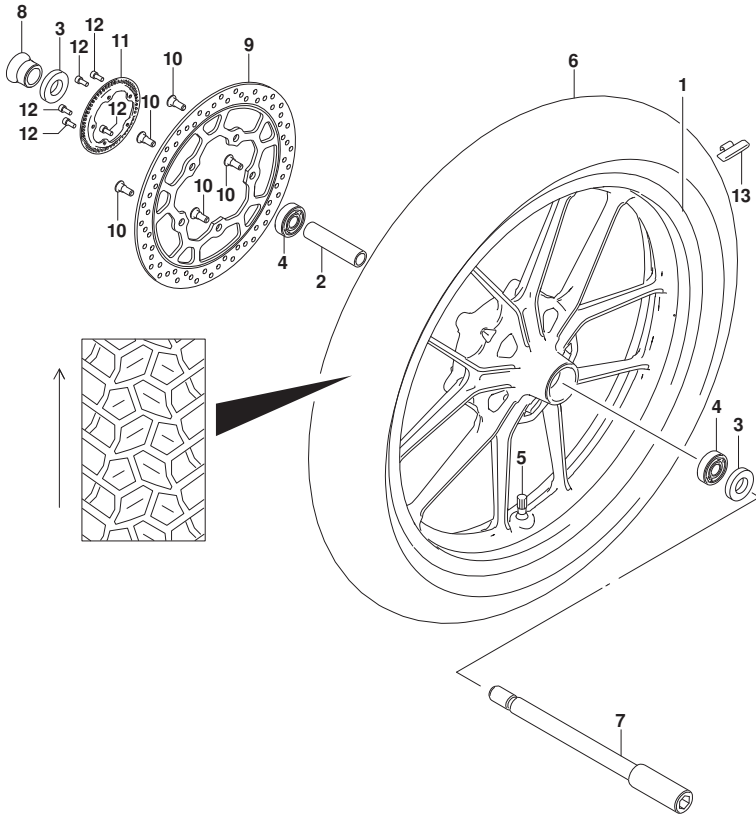


FIG.533A

FIG.533A (1-G-4) HYDRAULIC UNIT

REF NO.	PART NO.	DESCRIPTION	Q'TY	REMARKS
1	55610-20L00-000	UNIT ASSY, HYDRAULIC ABS	1	
2	55660-41K00-000	HOLDER, HYDR UNIT ABS	1	
3	01547-0612B-000	BOLT	2	
4	55661-34J00-000	BOLT	2	
5	55662-10G00-000	SPACER, HYDR UNIT MTG (#05)	2	
6	55663-34J00-000	RUBBER, HYDR UNIT MTG	2	
7	55710-20L00-000	SENSOR, FR WHEEL SPEED	1	
8	01547-0616B-000	BOLT	2	
9	34938-14F00-000	GUIDE, SENSOR LEAD	1	
10	01547-0612B-000	BOLT	1	
11	65710-20L00-000	SENSOR, RR WHEEL SPEED	1	
12	01547-0616B-000	BOLT	1	
13	65741-41K00-000	GUIDE, RR WHL SPEED SENSOR LEAD	1	
14	09407-14407-000	CLAMP (L:145)	6	
15	55734-27K00-000	CLAMP, SENSOR	3	

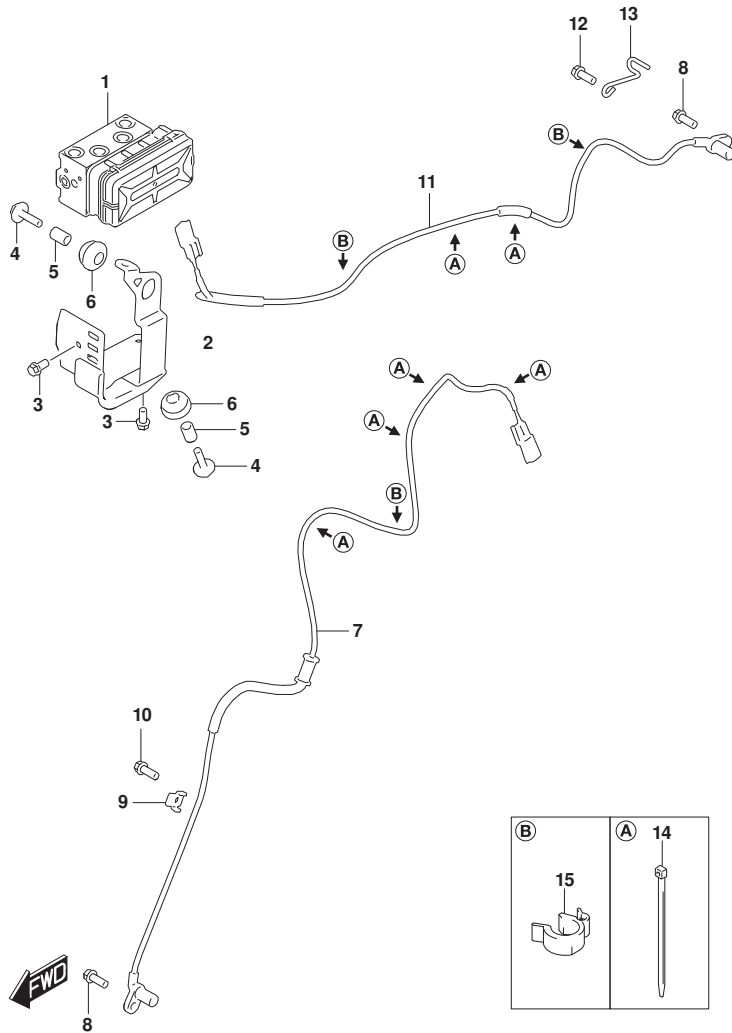


FIG.535A

FIG.535A (1-G-5) FRONT CALIPER

REF NO.	PART NO.	DESCRIPTION	Q'TY	REMARKS
1	59100-34J50-000	CALIPER ASSY, FRONT RH	1	
2	59100-34870-000	.PISTON SET	1	
3	59100-34860-000	..SEAL SET, PISTON	1	
4	59140-34810-000	.PAD SET	1	
5	59141-34J10-000	.PIN	1	
6	59746-34J00-000	.CLIP	2	
7	59315-34J00-000	.SPRING	1	
8	59108-34J00-000	.DUST COVER	1	
9	59109-34J00-000	.INSULATOR	1	
10	59351-34J00-000	.BRACKET	1	
11	59187-34J00-000	..PIN	1	
12	59188-34J00-000	..SPACER	1	
13	59382-34J00-000	..PIN	1	
14	59145-34J00-000	..STOPPER	1	
15	59665-34J00-000	..CIRCLIP	1	
16	59121-30H00-000	.SCREW, BLEEDER	1	
17	59122-30H00-000	.CAP, BLEEDER	1	
18	01550-0835A-000	BOLT	2	

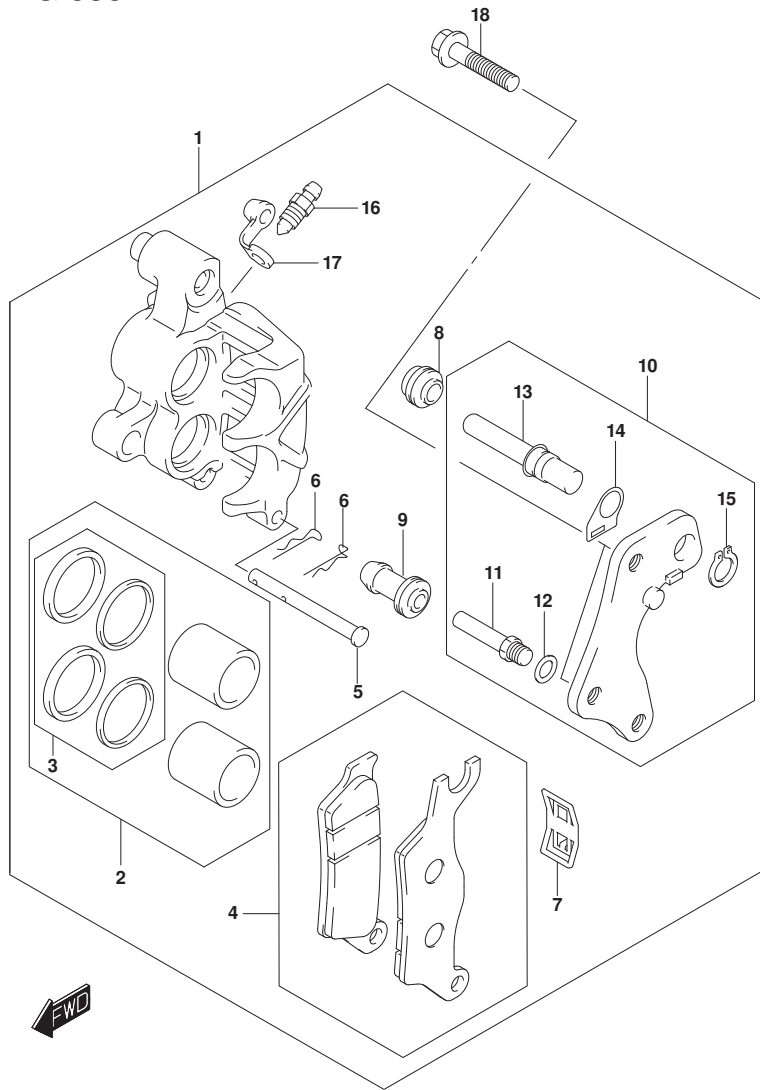


FIG.536A

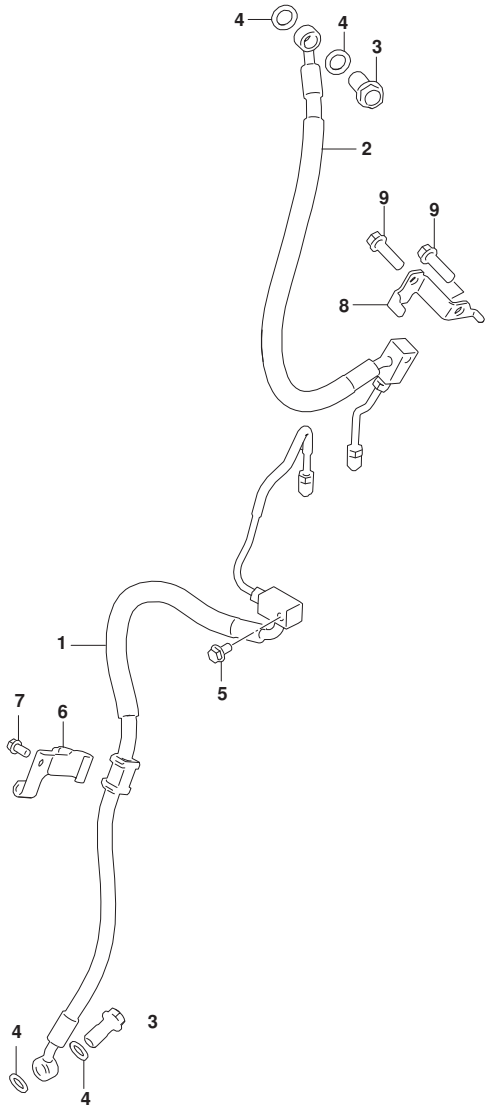


FIG.536A (1-G-6) FRONT BRAKE HOSE

REF NO.	PART NO.	DESCRIPTION	Q'TY	REMARKS
1	59400-20L00-000	HOSE ASSY, UNIT TO FR BK CLPR	1	
2	59200-20L00-000	HOSE ASSY, FR BK MASTER TO UNIT	1	
3	59492-30H40-000	BOLT, BRAKE FLUID (M10X1.25)	2	
4	59502-30H00-000	WASHER, BRAKE FLUID	4	
5	01547-0612B-000	BOLT	1	
6	59260-20L00-000	CLAMP, FR BRAKE HOSE	1	
7	01547-0612B-000	BOLT	1	
8	59541-41K10-000	CLAMP, FR BRAKE HOSE	1	
9	01547-0620B-000	BOLT	2	

FIG.537A

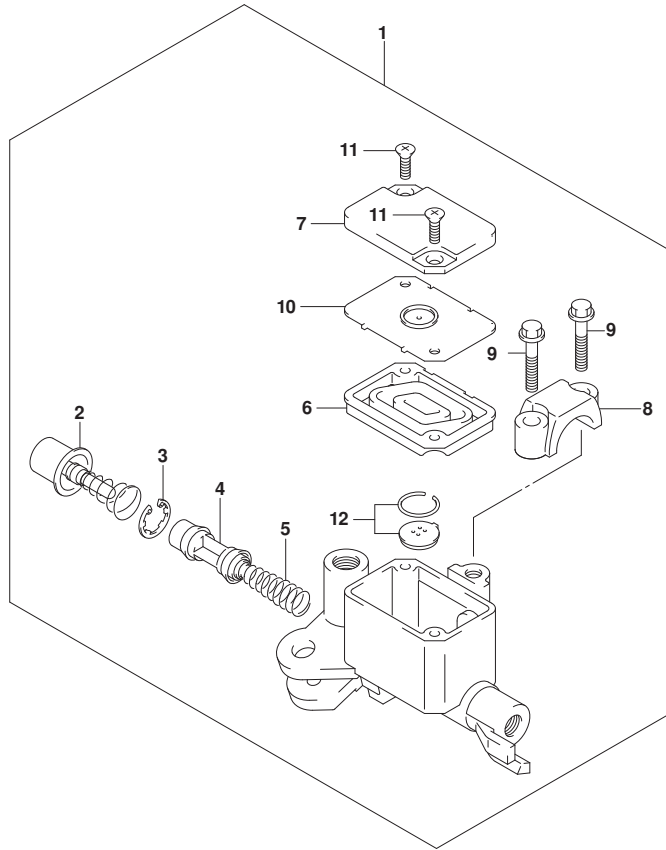


FIG.537A (1-G-7) FRONT MASTER CYLINDER

REF NO.	PART NO.	DESCRIPTION	Q'TY	REMARKS
1	59600-30H50-000	CYLINDER ASSY, FRONT MASTER	1	
2	59870-30H00-000	.PUSH ROD ASSY	1	
3	59665-30H00-000	.CIRCLIP	1	
4	59610-30H00-000	.PISTON ASSY	1	
5	57318-30H00-000	.SPRING	1	
6	59667-12K00-000	.DIAPHRAGM	1	
7	59687-23K00-000	.COVER	1	
8	59671-30H00-000	.CLAMP	1	
9	59688-30H00-000	.SCREW	2	
10	59668-30H00-000	.PLATE, DIAPHRAGM	1	
11	59691-30H00-000	.FLAT SCREW	2	
12	59669-30H00-000	.CAP	1	



FIG.541A

FIG.541A (1-G-8) REAR SWINGARM

REF NO.	PART NO.	DESCRIPTION	Q'TY	REMARKS
1	61100-20L10-000	SWINGARM, REAR	1	
2	61280-41K00-000	SPACER, RR SWGARM PIVOT	1	
3	09263-22077-000	BEARING (22X29X30)	2	
4	61251-41K00-000	SPACER, RR SWGARM PIVOT BEARING	2	
5	09160-14079-000	WASHER (14X34X1)	2	
6	61262-41K00-000	COVER, RR SWGARM PIVOT DUST	2	
7	08319-2114A-000	NUT	1	
8	09160-14078-000	WASHER (14.5X29X2.3)	1	
9	61211-30H00-000	SHAFT, RR SWINGARM PIVOT	1	
10	61273-41K00-000	BUFFER, CHAIN TOUCH DEFENSE	1	
11	09111-06072-000	BOLT (6X17.8)	1	

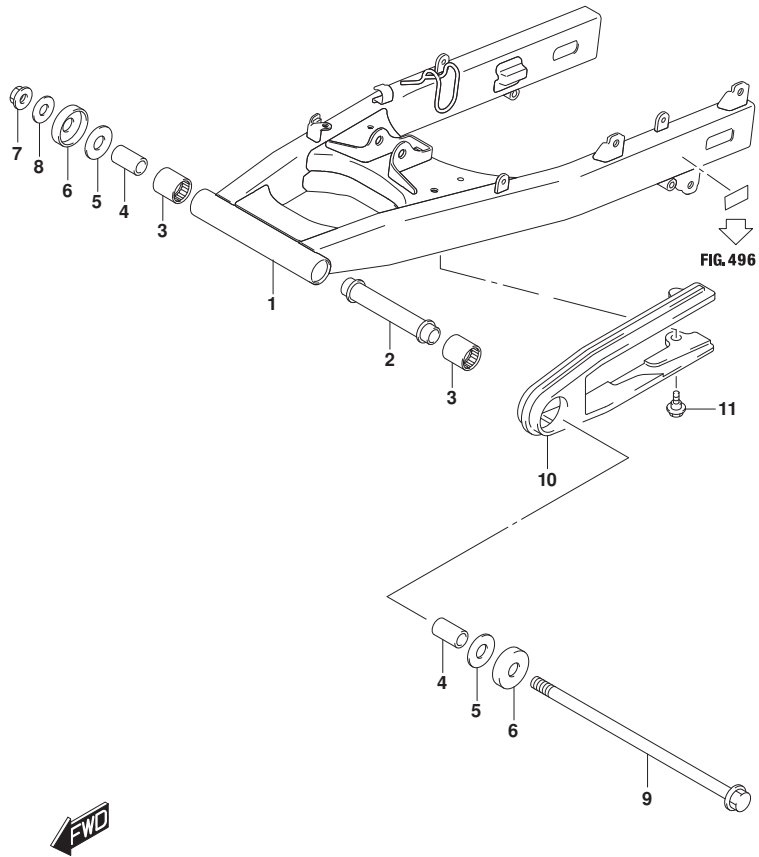


FIG.542A

FIG.542A (1-G-9) CHAIN CASE

REF NO.	PART NO.	DESCRIPTION	Q'TY	REMARKS
1	61311-20L00-000	CASE, CHAIN	1	
2	09111-06107-000	BOLT (6X12)	4	

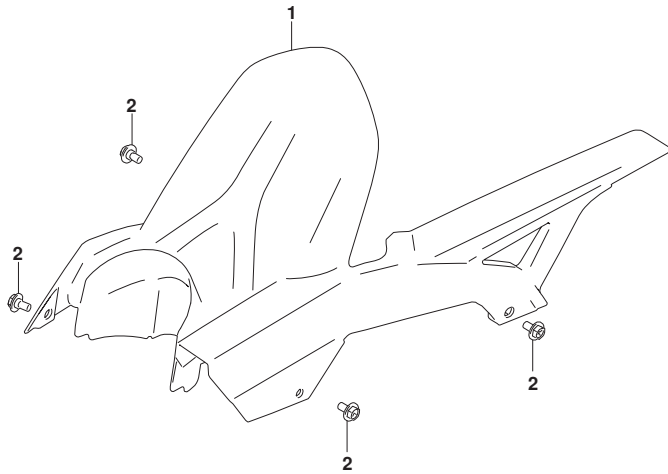


FIG.545A

FIG.545A (1-G-10) REAR SHOCK ABSORBER

REF NO.	PART NO.	DESCRIPTION	Q'TY	REMARKS
1	62100-20L00-28W	ABSORBER ASSY, REAR SHOCK (WHITE)	1	
2	62658-47H00-000	BOLT, RR CUSHION LEVER	1	
3	09159-12082-000	NUT	1	
4	09160-12131-000	WASHER (12.3X24X2.3)	1	
5	62668-30B00-000	BOLT, RR CUSHION LEVER FR (12X60)	1	

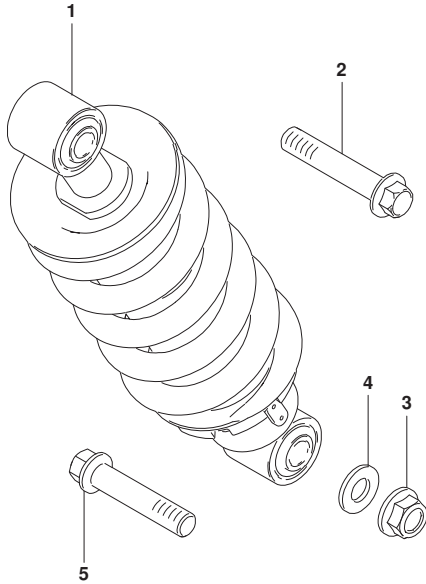


FIG.550A

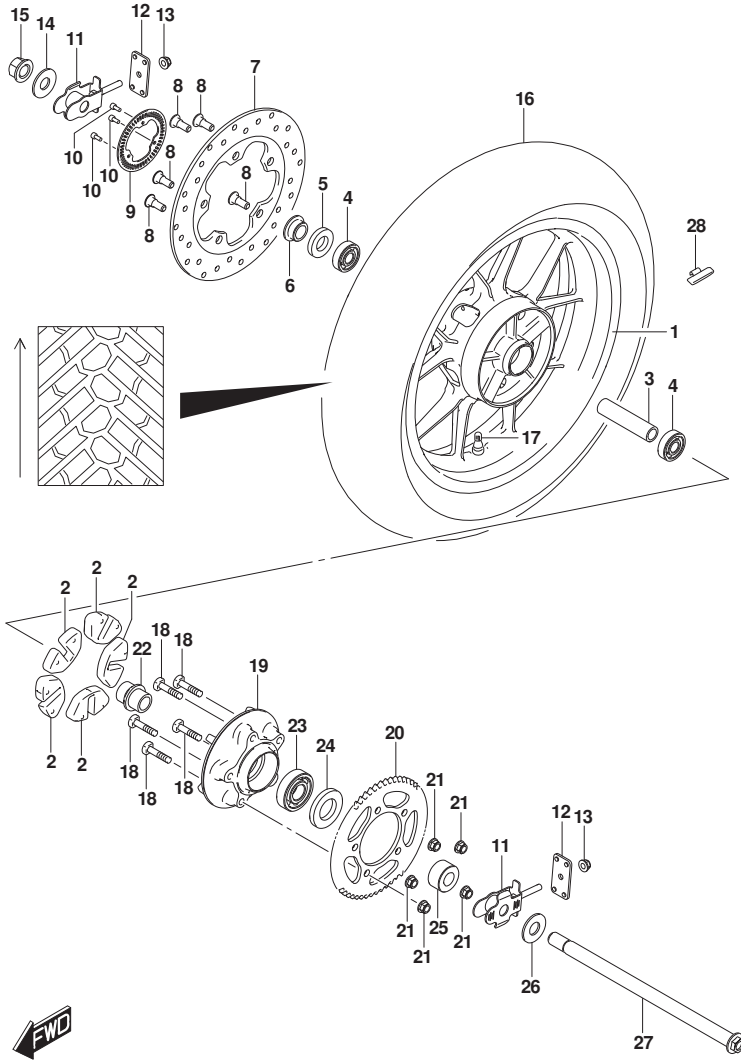


FIG.550A (1-G-11) REAR WHEEL

REF NO.	PART NO.	DESCRIPTION	Q'TY	REMARKS
1	64111-20L01-QC3	WHEEL, REAR (17M/CXMT4.00) (BLACK)	1	
2	64651-20L00-000	ABSORBER, REAR HUB SHOCK	5	
3	64731-41K00-000	SPACER, REAR WHEEL HUB BEARING	1	
4	08123-6303B-000	BEARING	2	
5	64841-41K00-000	SEAL, REAR HUB BEARING	1	
6	64741-41K00-000	SPACER, REAR AXLE RH	1	
7	69211-20L00-000	DISC, REAR BRAKE	1	
8	59218-34J20-000	BOLT, FRONT BRAKE DISC	5	
9	54162-41K00-000	RING, SPEED SENSOR FR (50T)	1	
10	07130-0512A-000	BOLT	3	
11	61410-41K00-000	ADJUSTER, CHAIN	2	
12	61421-41K00-000	PLATE, CHAIN ADJUSTER GUIDE	2	
13	08319-3108A-000	NUT	2	
14	61445-41K00-000	WASHER, REAR AXLE RH	1	
15	64721-41K00-000	NUT, REAR AXLE	1	
16	65110-20L01-000	TIRE, REAR (140/70-17 M/C 66S)	1	MOGRIP METEOR-M,MRF
17	43130-24A70-000	VALVE ASSY, WHEEL RIM (TR412)	1	
18	64541-41K00-000	BOLT, REAR SPROCKET	5	
19	64611-01D10-000	DRUM, REAR SPROCKET	1	
20	64511-41K00-000	SPROCKET, REAR (NT:40)	1	
21	08319-3110A-000	NUT	5	
22	64733-01D00-000	RETAINER, RR SPROCKET DRUM	1	
23	08133-6305B-000	BEARING	1	
24	64831-41K00-000	OIL SEAL, REAR SPROCKET DRUM	1	
25	64751-41K00-000	SPACER, REAR AXLE LH	1	
26	61455-41K00-000	WASHER, REAR AXLE LH	1	
27	64711-41K00-000	AXLE, REAR	1	
28-1	55411-41K00-000	BALANCER, WHEEL NO.1 (10G)	AR	
28-2	55412-41K00-000	BALANCER, WHEEL NO.2 (20G)	AR	
28-3	55413-41K00-000	BALANCER, WHEEL NO.3 (30G)	AR	

FIG.555A

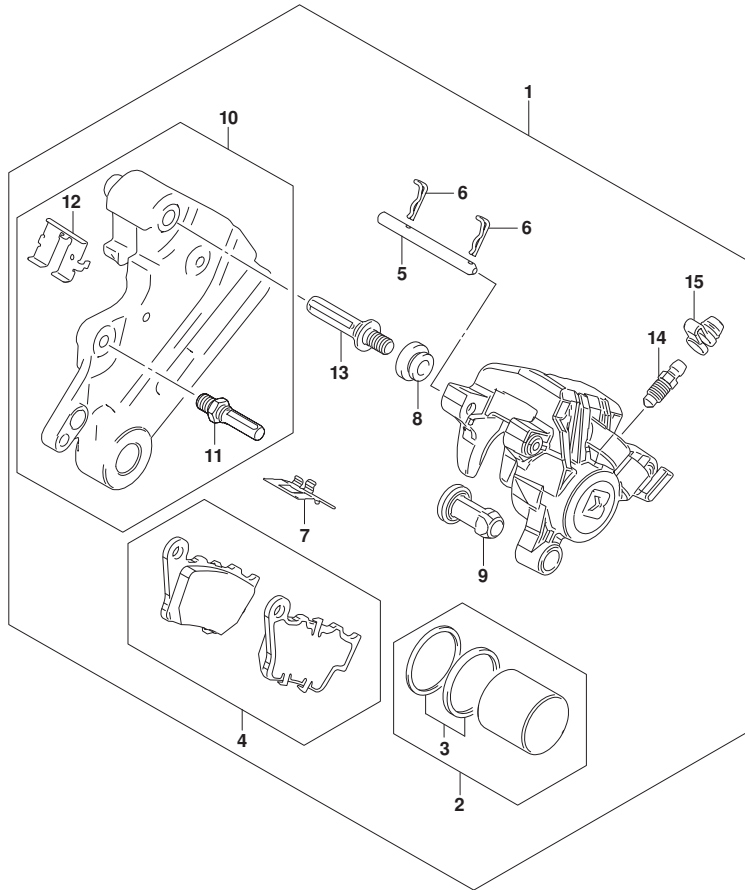


FIG.555A (1-G-12) REAR CALIPER

REF NO.	PART NO.	DESCRIPTION	Q'TY	REMARKS
1	69100-20L00-000	CALIPER ASSY, REAR	1	
2	69100-27870-000	.PISTON SET	1	
3	69100-27860-000	..SEAL SET	1	
4	69100-27890-000	.PAD SET	1	
5	69345-27K00-000	.PIN, PAD	1	
6	69746-27K00-000	.CLIP	2	
7	69115-27K00-000	.SPRING, PAD	1	
8	59108-34J00-000	.DUST COVER	1	
9	59109-34J00-000	.INSULATOR	1	
10	69720-20L00-000	.BRACKET	1	
11	59187-34J00-000	..PIN	1	
12	69116-27K00-000	..RETAINER	1	
13	69187-27K00-000	.PIN	1	
14	59121-30H00-000	.SCREW, BLEEDER	1	
15	59122-30H00-000	.CAP, BLEEDER	1	

FIG.558A

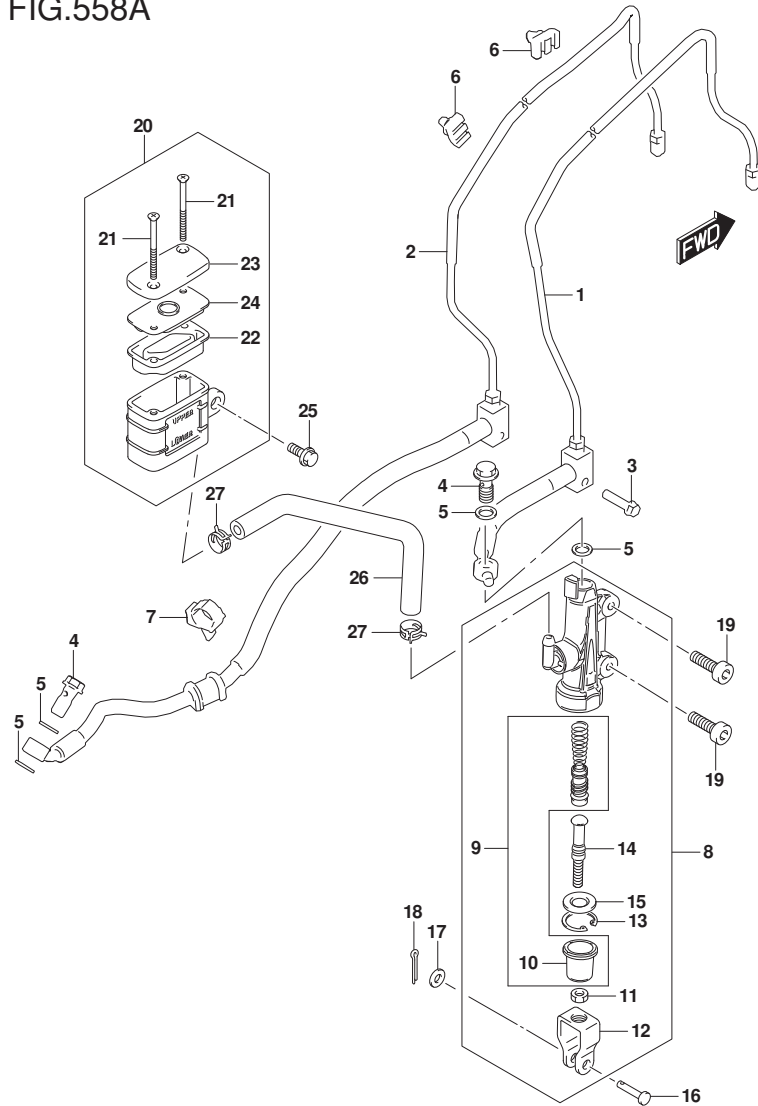


FIG.558A (1-G-13) REAR MASTER CYLINDER

REF NO.	PART NO.	DESCRIPTION	Q'TY	REMARKS
1	69200-20L00-000	HOSE ASSY, RR BK MASTER TO UNIT	1	
2	69400-20L00-000	HOSE ASSY, UNIT TO RR BK CLPR	1	
3	01547-0630A-000	BOLT	1	
4	59492-30H40-000	BOLT, BRAKE FLUID (M10X1.25)	2	
5	59502-30H00-000	WASHER, BRAKE FLUID	4	
6	09403-07410-000	CLAMP	2	
7	09403-17311-000	CLAMP	1	
8	69600-41K00-000	CYLINDER ASSY, REAR MASTER	1	
9	69600-41810-000	.PISTON/CUP SET	1	
10	69666-27K00-000	.BOOT	1	
11	69692-41K00-000	.YOKE	1	
12	69693-27K00-000	.NUT	1	
13	69665-27K00-000	.CIRCLIP	1	
14	69671-41K00-000	.ROD, PUSH	1	
15	69872-27K00-000	.GUIDE, ROD	1	
16	09200-06037-000	PIN (6X17.7)	1	
17	08322-0106A-000	WASHER	1	
18	04111-2015A-000	PIN	1	
19	07130-0625A-000	BOLT	2	
20	69740-27K00-000	TANK ASSY, RR RESERVOIR	1	
21	69689-27K00-000	.SCREW	2	
22	69667-27K00-000	.DIAPHRAGM	1	
23	69669-27K00-000	.CAP	1	
24	69668-27K00-000	.PLATE, DIAPHRAGM	1	
25	01550-0612A-000	BOLT	1	
26	69731-41K00-000	HOSE, RR RESERVOIR TANK	1	
27	59735-27K00-000	CLIP	2	

