

Handwritten signature



SUZUKI *RC80*

PARTS CATALOGUE

1992

INFORMATION
ILLUSTRATION INDEX

1

ENGINE
TRANSMISSION

2

ELECTRICAL

3

BODY

4

PARTS NUMBER INDEX

5

1	CYLINDER	B - 2	24	FUEL TANK	E - 5
2	CRANKCASE	B - 3	25	FUEL COCK	E - 6
3	CRANKCASE COVER	B - 4	26	OIL TANK	E - 7
4	CRANKSHAFT	B - 5	27	SEAT	E - 8
4	CRANKSHAFT	B - 6	28	SEAT TAIL COVER (model G/J/K)	E - 9
5	CARBURETOR	B - 7	28A	SEAT TAIL COVER (model L/N)	E - 10
5	CARBURETOR	B - 8	29	FRONT CARRIER	E - 11
6	AIR CLEANER	B - 9	30	FRAME COVER	E - 12
7	MUFFLER	B - 10	31	LEG SHIELD	E - 13
8	OIL PUMP	B - 11	32	FRONT FORK	F - 2
9	CLUTCH	C - 2	33	FRONT FORK COVER	F - 3
9	CLUTCH	C - 3	34	FRONT FENDER (model G/J/K/L)	F - 4
10	TRANSMISSION	C - 4	34A	FRONT FENDER (model N)	F - 5
11	GEAR SHIFTING	C - 5	35	FRONT WHEEL	F - 6
11	GEAR SHIFTING	C - 6	36	HANDLE COVER (model G/J/K)	F - 7
12	KICK STARTER	C - 7	36A	HANDLE COVER (model L/N)	F - 8
13	MAGNETO	D - 2	37	HANDLEBAR (model G/J/K)	F - 9
14	BATTERY	D - 3	37A	HANDLEBAR (model L/N)	F - 10
15	ELECTRICAL	D - 4	38	RIGHT HANDLE SWITCH (model G/J/K)	F - 11
16	SPEEDOMETER (model G/J/K)	D - 5	39	LEFT HANDLE SWITCH (model G/J/K)	F - 12
16A	SPEEDOMETER (model L)	D - 6	39A	HANDLE SWITCH (model L/N)	F - 13
16B	SPEEDOMETER (model N)	D - 7	40	REAR SWINGING ARM (model G/J/K/L)	G - 2
17	HEADLAMP (model G/J/K)	D - 8	40A	REAR SWINGING ARM (model N)	G - 3
17A	HEADLAMP (model L/N)	D - 9	41	REAR FENDER (model G/J/K/L)	G - 4
18	FRONT TURN SIGNAL LAMP (model G/J/K)	D - 10	41A	REAR FENDER (model N)	G - 5
18A	FRONT TURN SIGNAL LAMP (model L/N)	D - 11	42	REAR WHEEL (model G/J/K/L)	G - 6
19	REAR COMBINATION LAMP	D - 12	42	REAR WHEEL (model G/J/K/L)	G - 7
20	WIRING HARNESS	D - 13	42A	REAR WHEEL (model N)	G - 8
21	FRAME	E - 2	42A	REAR WHEEL (model N)	G - 9
22	STAND - FOOTREST	E - 3			
23	REAR BRAKE	E - 4			

FIG. 1

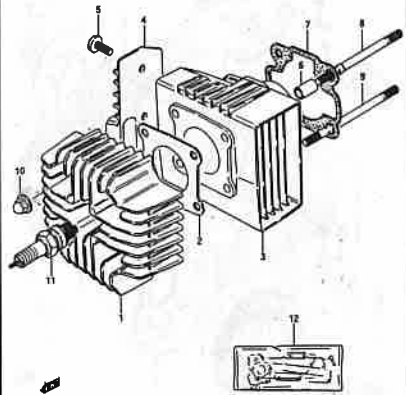


FIG. 2

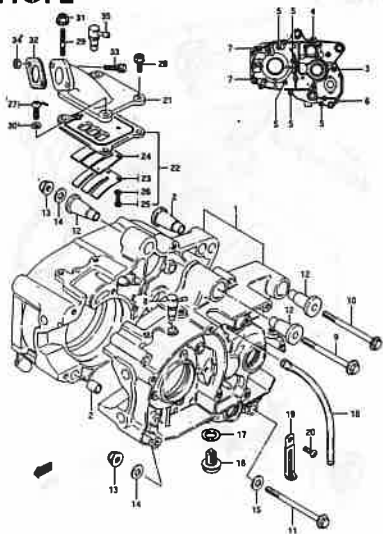


FIG. 3

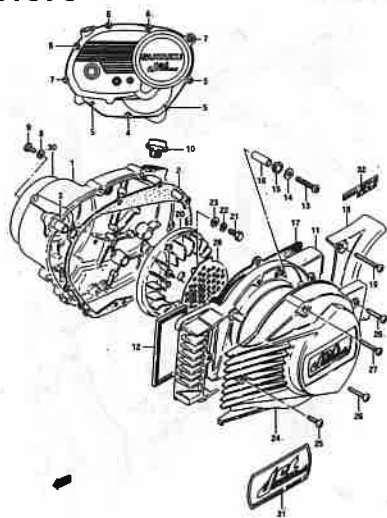


FIG. 4

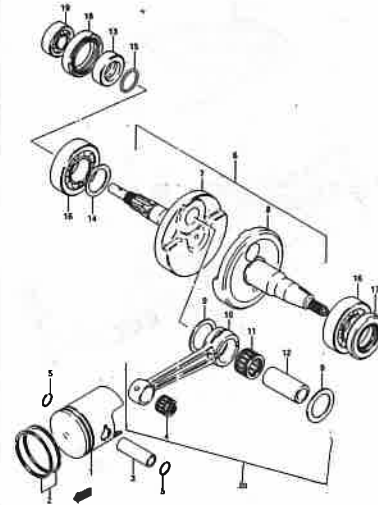


FIG. 4

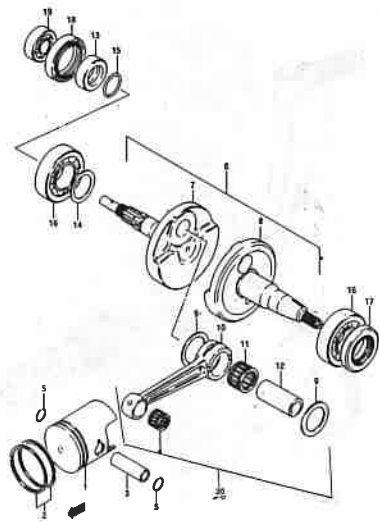


FIG. 5

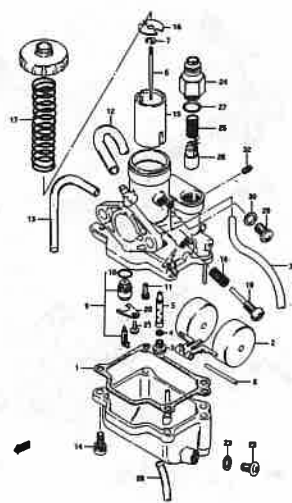


FIG. 5

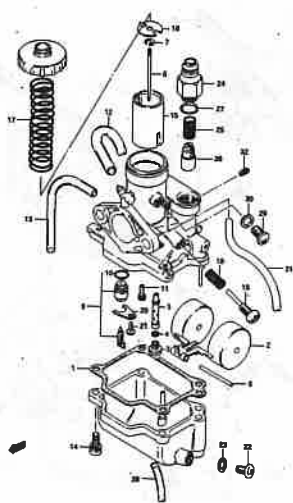
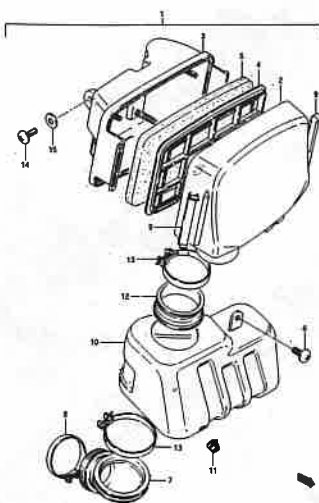


FIG. 6



5
6
7
8
10
11
12
13
2
3
4
5
6
7
8
9
10
11
12
13
2
3
4
5
6
7
8
9

FIG. 7

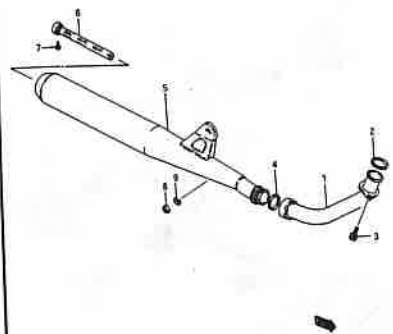


FIG. 8

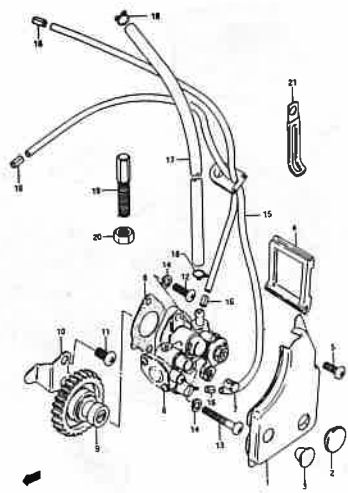


FIG. 9

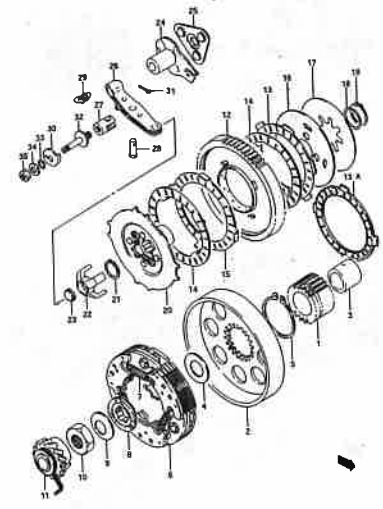


FIG. 9

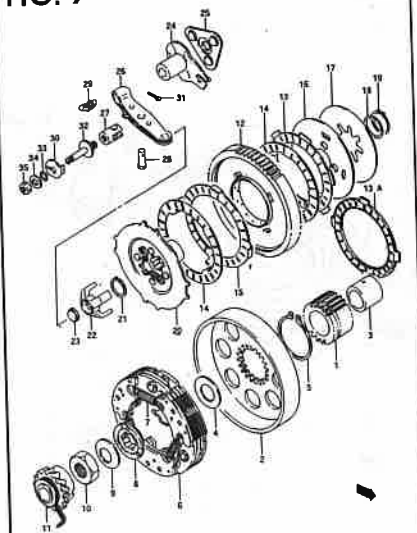


FIG. 10

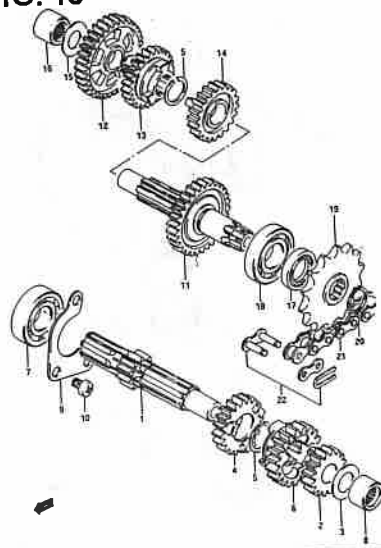


FIG. 11

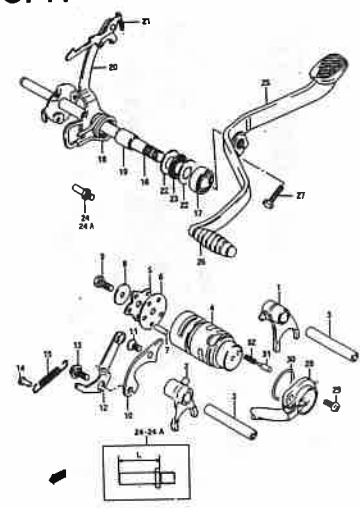


FIG. 11

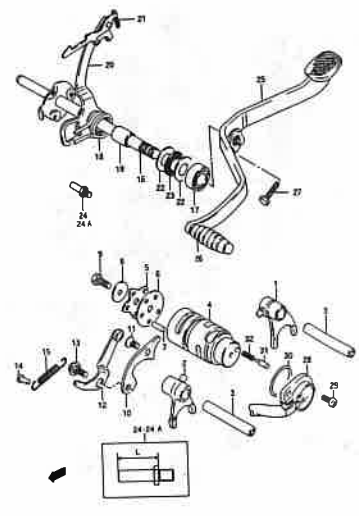


FIG. 12

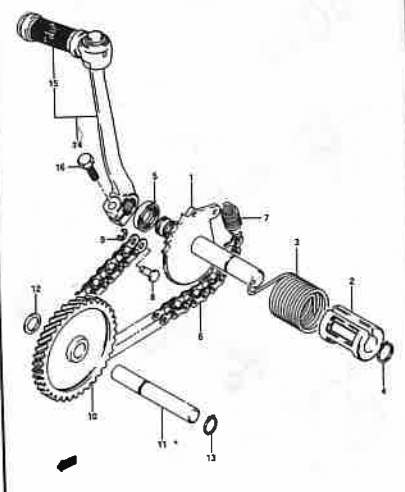


FIG. 13

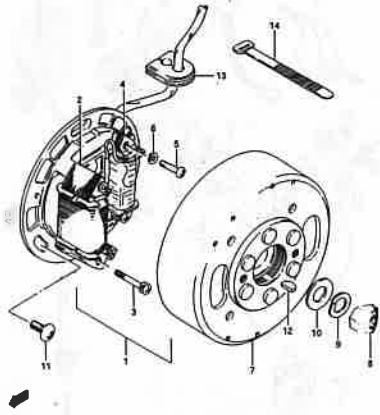


FIG. 14

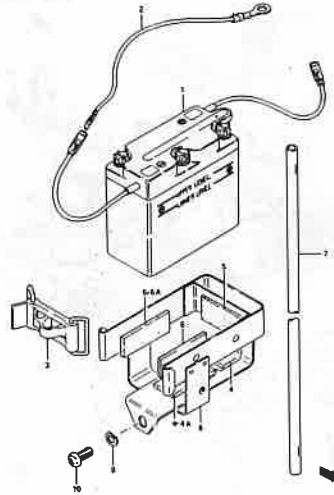


FIG. 15

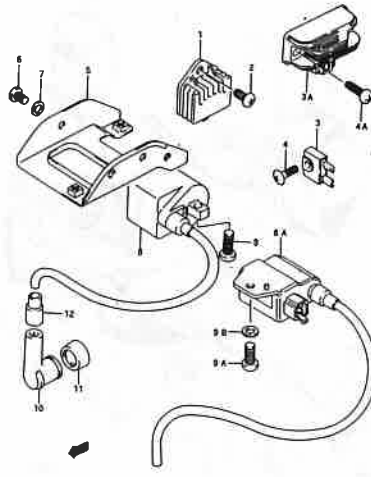


FIG. 16

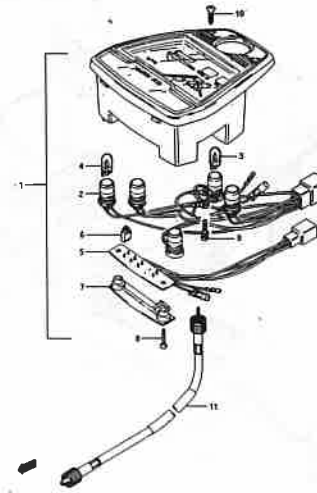


FIG. 16A

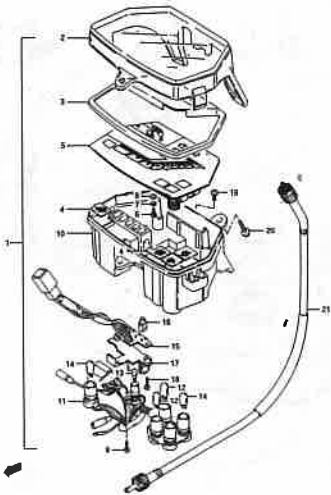


FIG. 16B

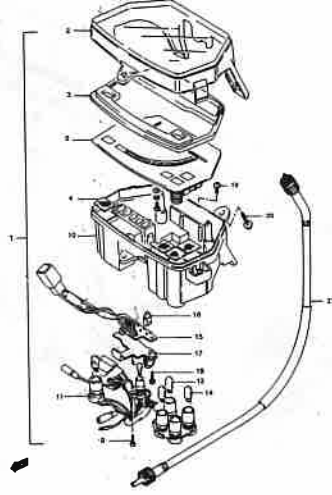


FIG. 17

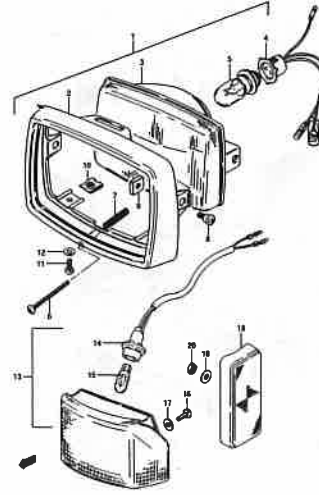


FIG. 17A

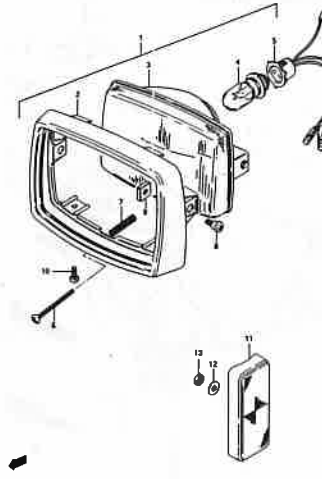


FIG. 18

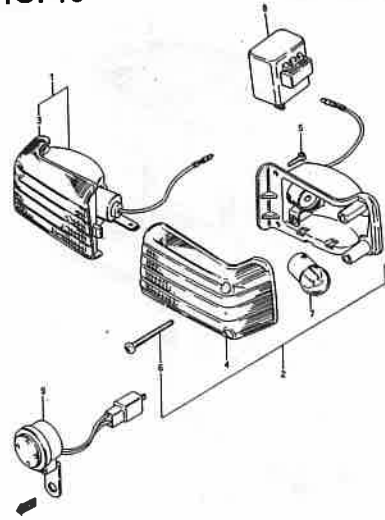


FIG. 18A

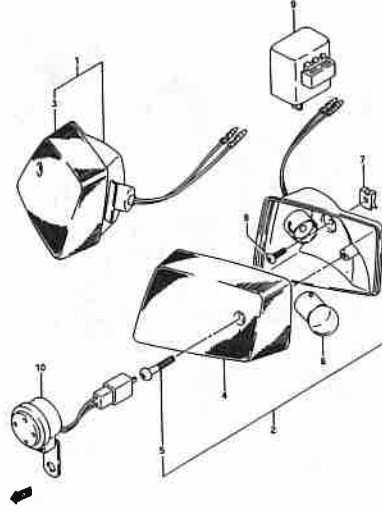


FIG. 19

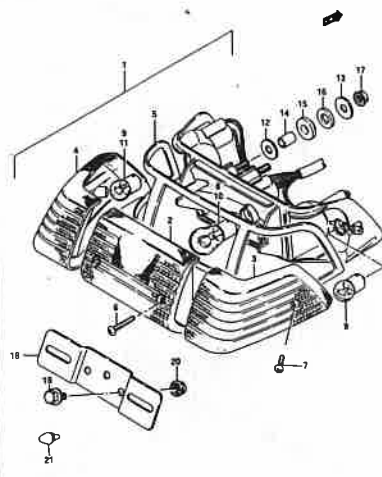


FIG. 20

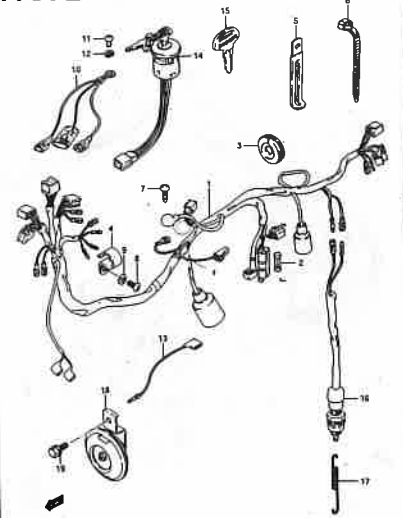


FIG. 21

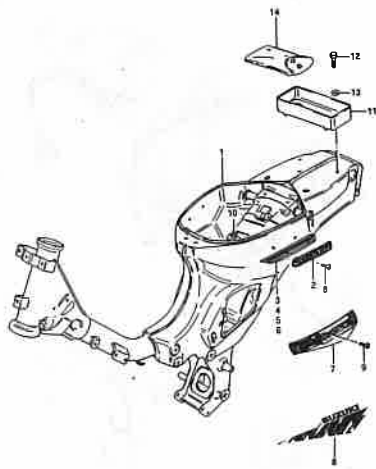


FIG. 22

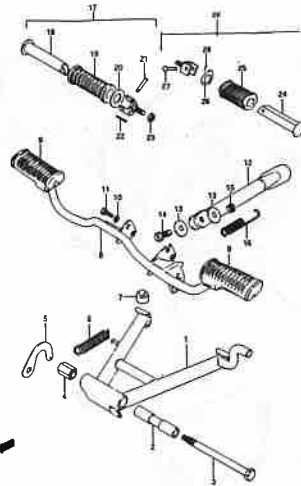


FIG. 23

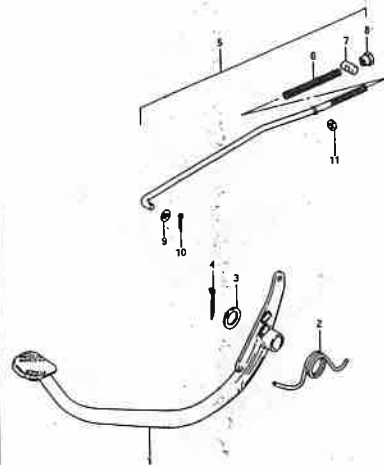


FIG. 24

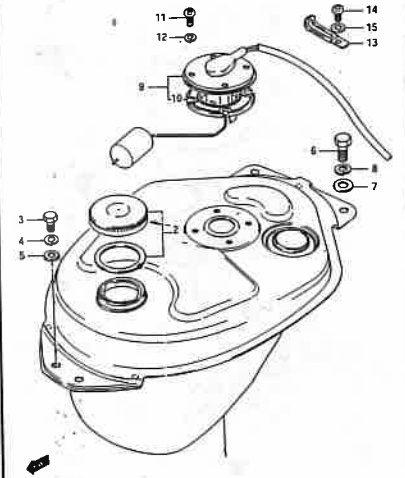


FIG. 25

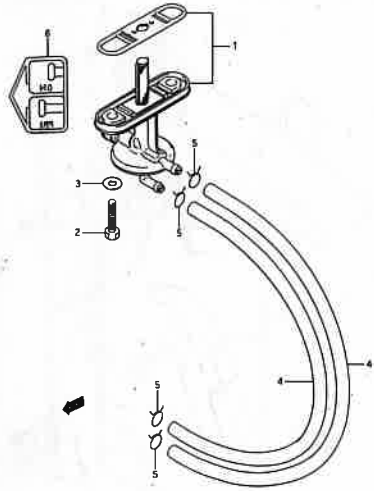


FIG. 26

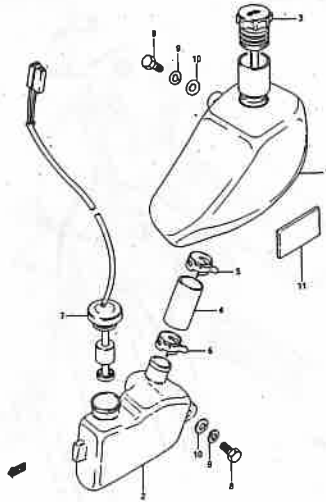


FIG. 27

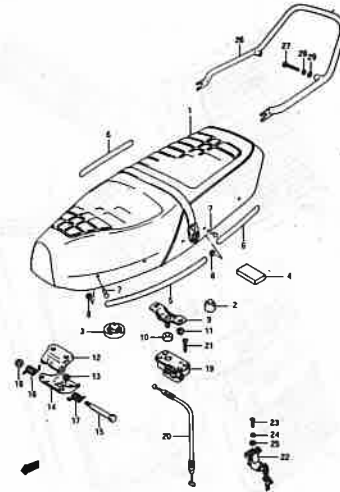


FIG. 28

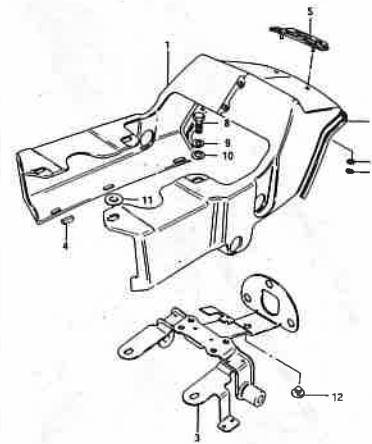


FIG. 28A

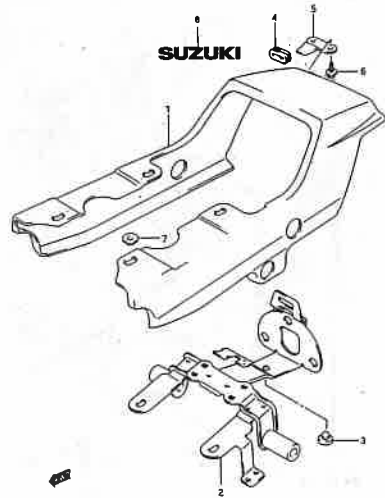


FIG. 29

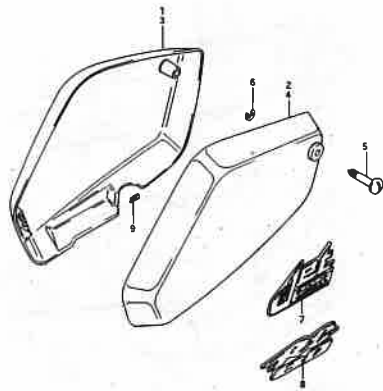


FIG. 30

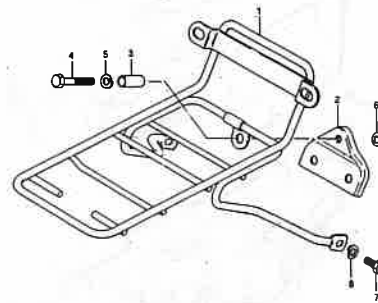


FIG. 31

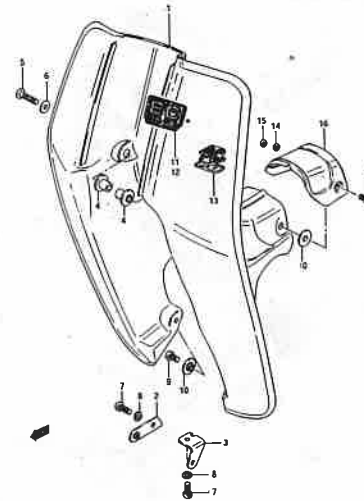


FIG. 32

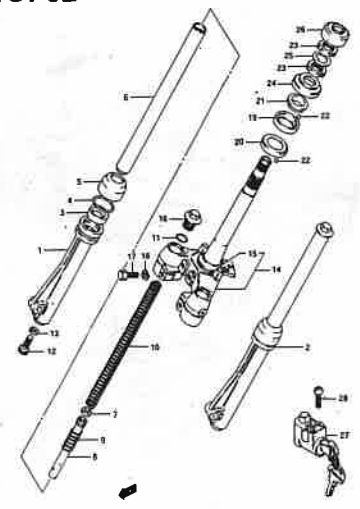


FIG. 33

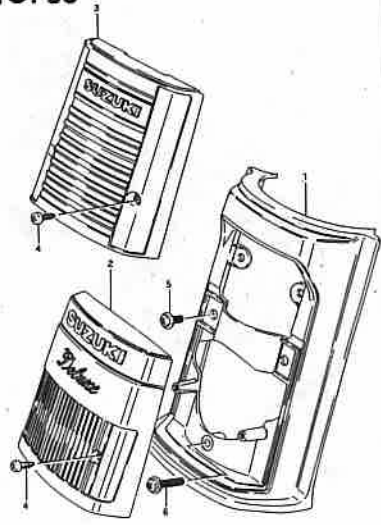


FIG. 34

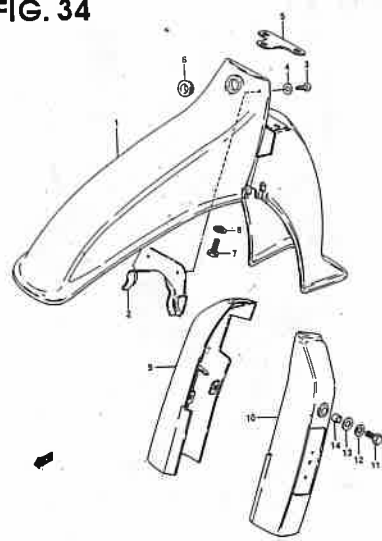


FIG. 34A

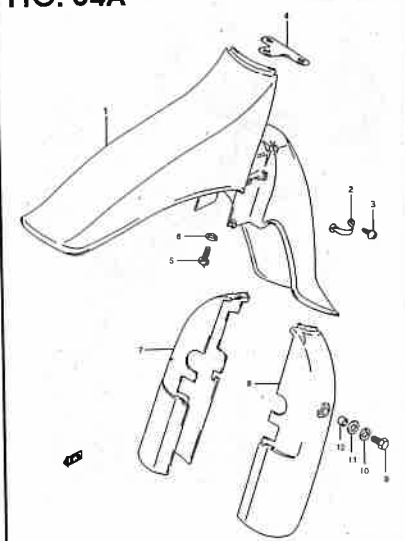


FIG. 35

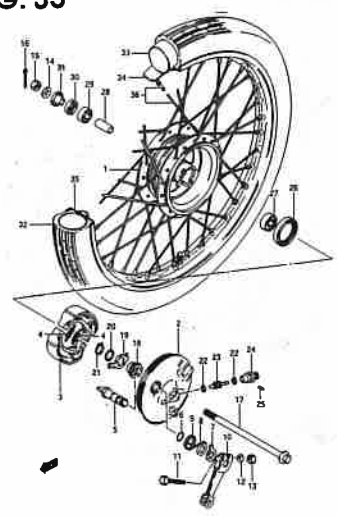


FIG. 36

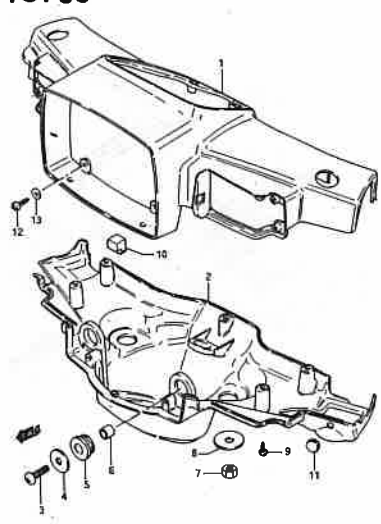


FIG. 36A

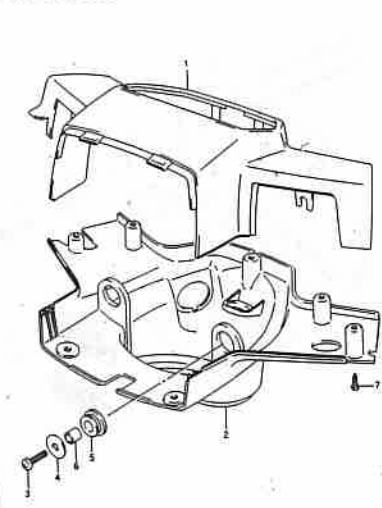


FIG. 37

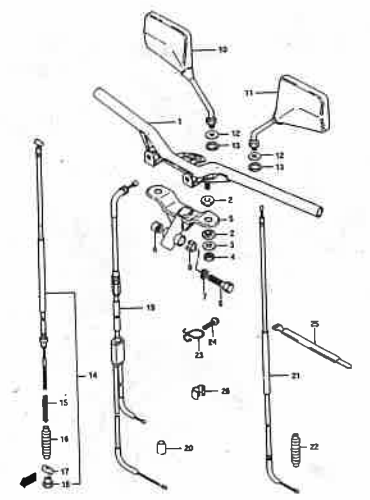


FIG. 37A

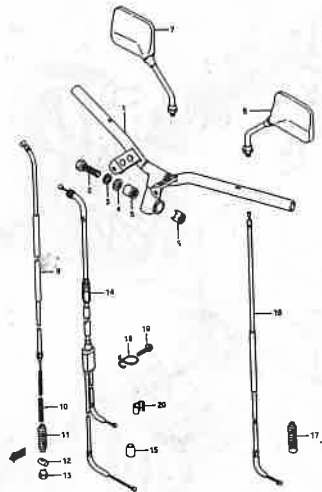


FIG. 38

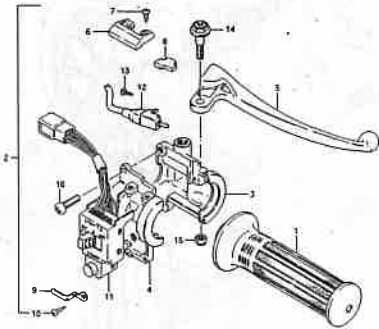


FIG. 39

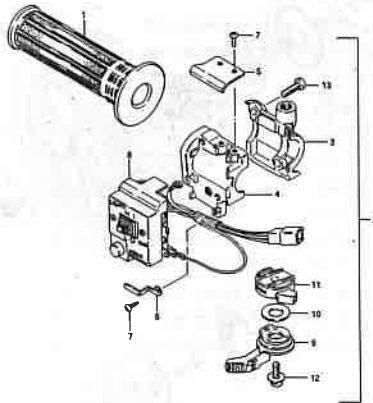


FIG. 39A

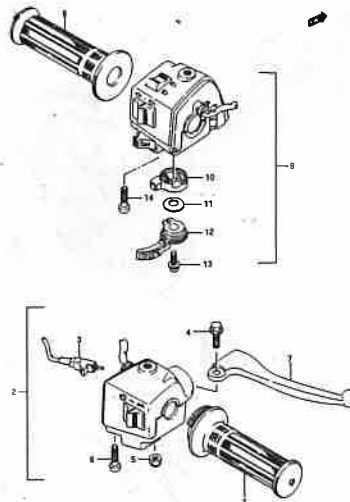


FIG. 40

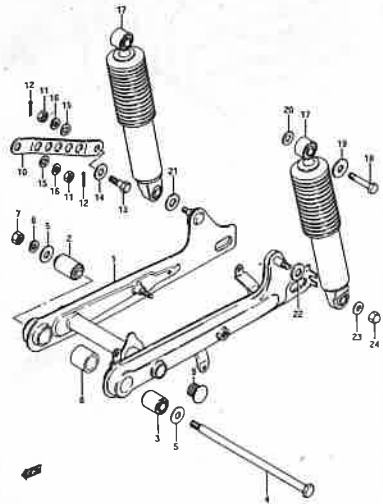


FIG. 40A

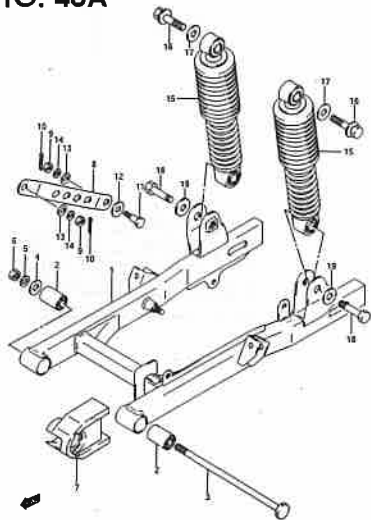


FIG. 41

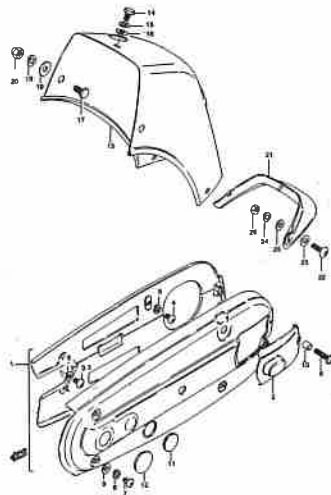
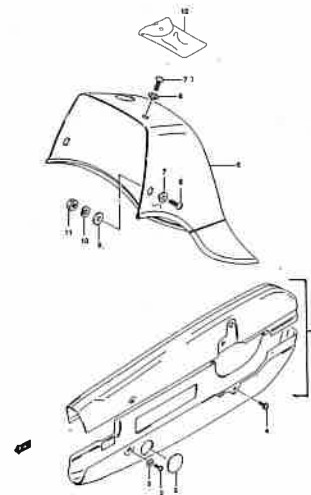


FIG. 41A



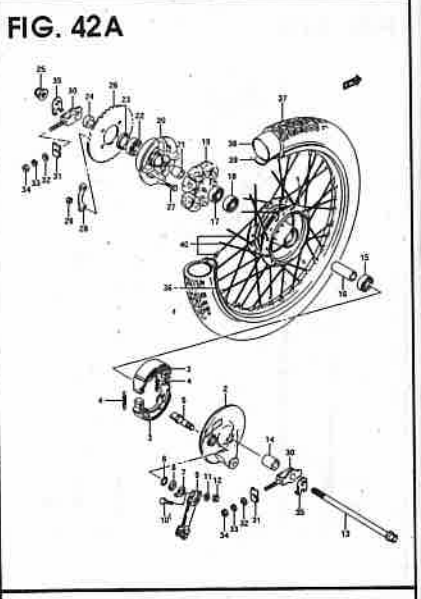
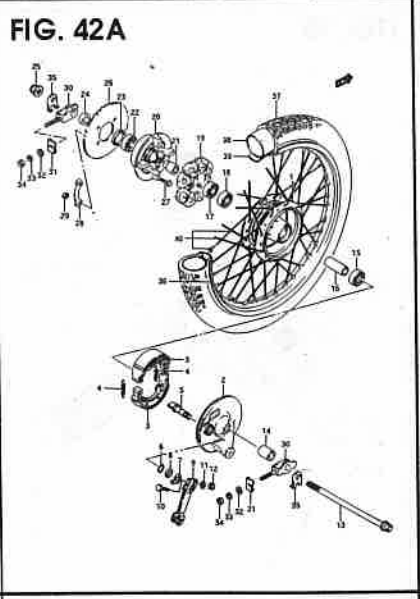
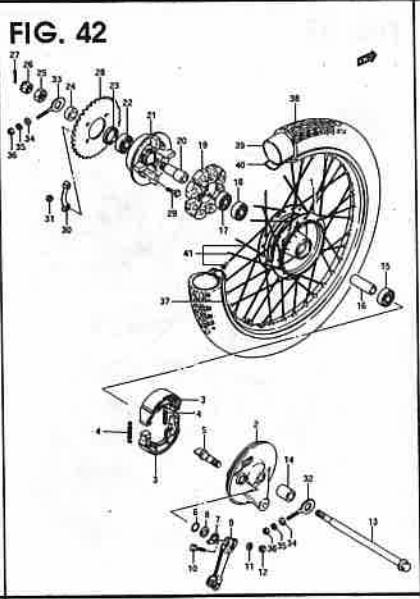
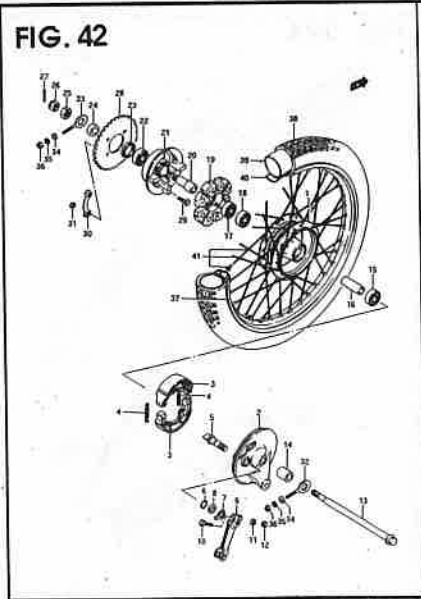
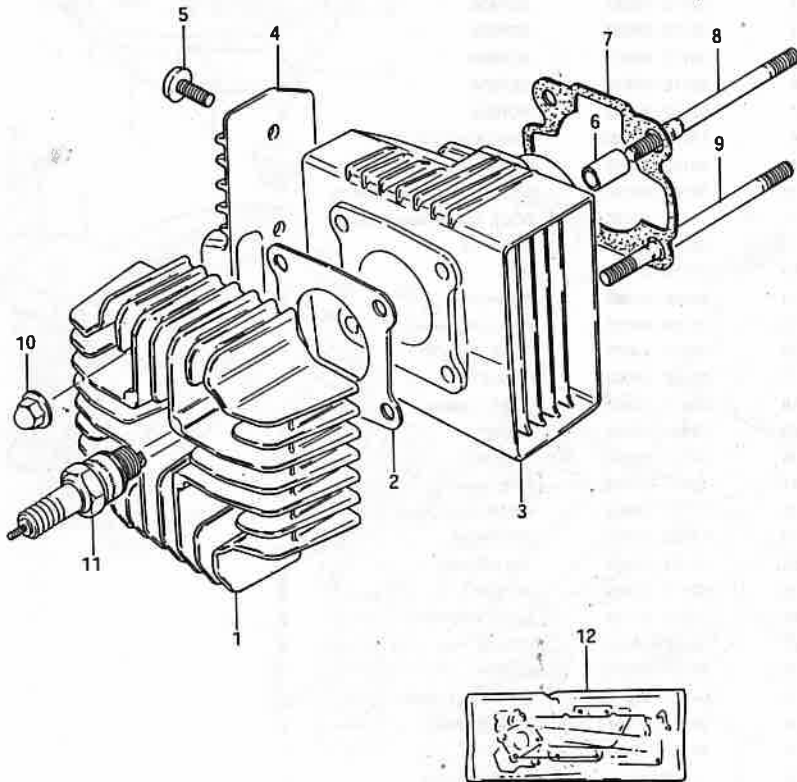


FIG.1

FIG.1 (B-2) CYLINDER



REF.NO.	PART NO.	DESCRIPTION	Q'TY.	REMARKS
1	1111M35412	HEAD, cylinder	1	
2	1114M35400	GASKET, cylinder head	1	
3	11210 - 35421	CYLINDER	1	
4	11271M35410	COVER, cylinder air	1	
5	02112 - 06167	SCREW	2	
6	04211 - 11189	PIN	2	
7	11241M35410	GASKET, cylinder	1	
8	09108 - 08113	STUD BOLT (Øx113)	2	
9	09108 - 08114	STUD BOLT (Øx123)	2	
10	09159 - 08074	NUT	4	
11-1	09482 - 00105	SPARK PLUG (NGK, BP7HS)	1	
11-2	09482 - 00108	SPARK PLUG (ND, W22FF)	1	
12	11400M35861	GASKET SET	1	OPT

2

2

FIG.2

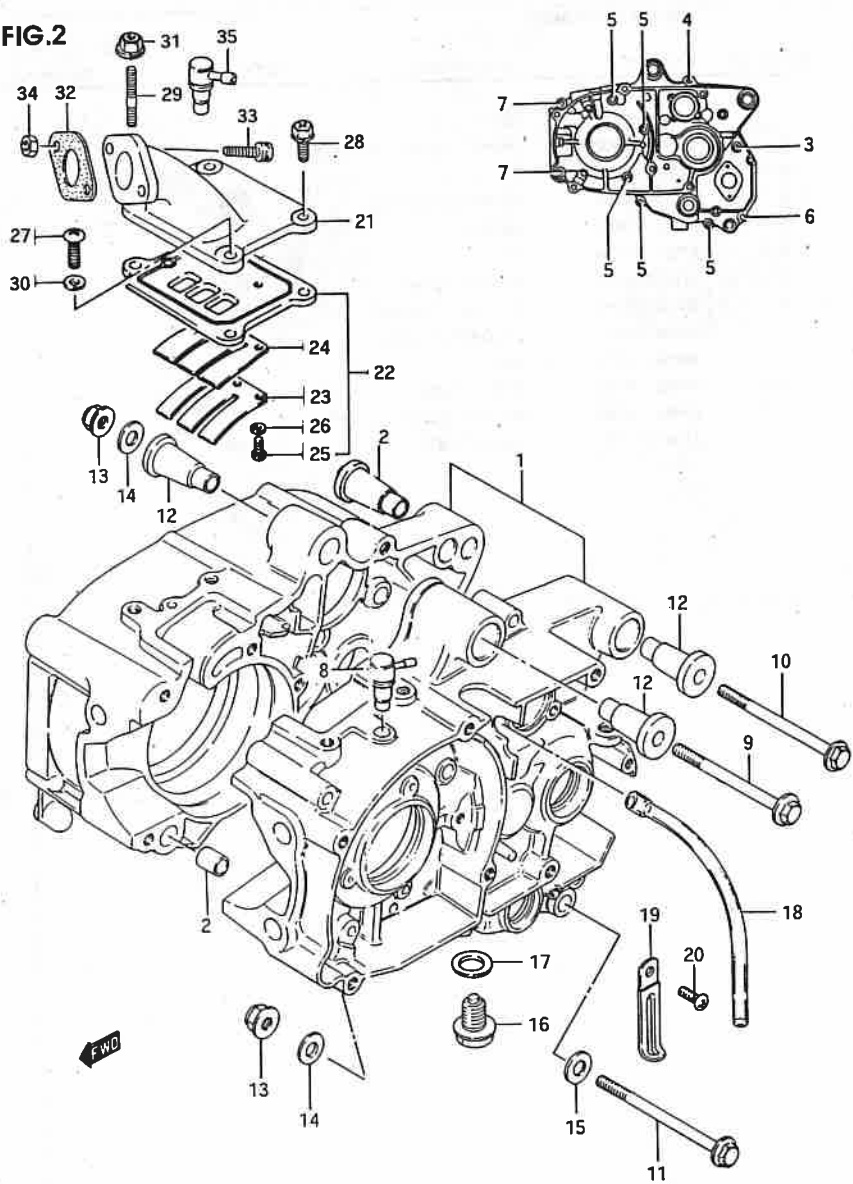


FIG.2 (B-3) CRANKCASE

REF.NO.	PART NO.	DESCRIPTION	Q'TY	REMARKS
1	11300 - 35899	CRANKCASE SET	1	← 11300-35897
2	09206 - 13001	.PIN	2	
3	02112 - 06257	.SCREW	1	
4	02112 - 06357	.SCREW	1	
5	02112 - 06507	.SCREW	5	
6	02112 - 06558	.SCREW	1	
7	02112 - 06608	.SCREW	2	
8	16910 - 09C00	.CHECK VALVE,oil	1	
9	09103 - 08097	BOLT, engine mount (8x105)	1	
10	09103 - 08122	BOLT, engine mount (8x110)	1	
11	09100 - 08155	BOLT, engine mount (8x115)	1	
12	09319 - 08010	BUSHING	4	
13	08319 - 31087	NUT	3	
14	08322 - 21088	WASHER	3	
15	09160 - 08030	WASHER, lower	1	
16	09247 - 14025	PLUG, drain	1	
17	09168 - 14004	GASKET	1	
18	24840 - 35400	HOSE, breather	1	
19	09404 - 08401	CLAMP	1	
20	02112 - 06128	SCREW	1	
21	13111 - 35403	PIPE, Intake	1	
22	13150 - 35402	VALVE ASSY, reed	1	
23	13152 - 35400	.STOPPER	1	
24	13153 - 35400	.VALVE, reed	1	
25	02112 - 03066	.SCREW	3	
26	08321 - 21036	.LOCK WASHER	3	
27	02112 - 06206	SCREW	2	
28	09137 - 06019	SCREW	1	
29	09108 - 06070	STUD BOLT (8x20)	1	
30	08321 - 21066	LOCK WASHER	2	
31	08361 - 35066	NUT	1	
32	13125M35401	GASKET, intake	1	
33	07110 - 06208	BOLT	2	
34	08310 - 22067	NUT	2	
35	16910 - 09C00	CHACK VALVE	1	

RC80N P8

FIG.3

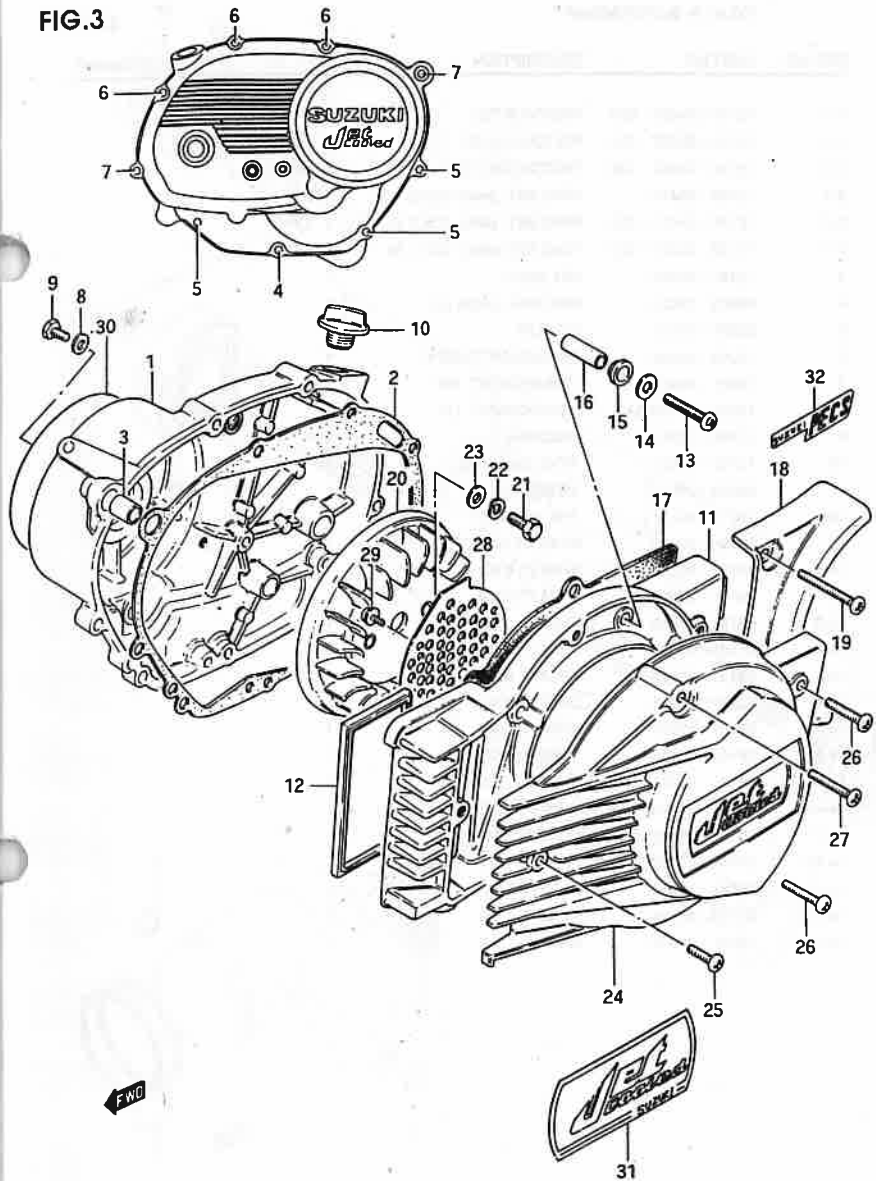
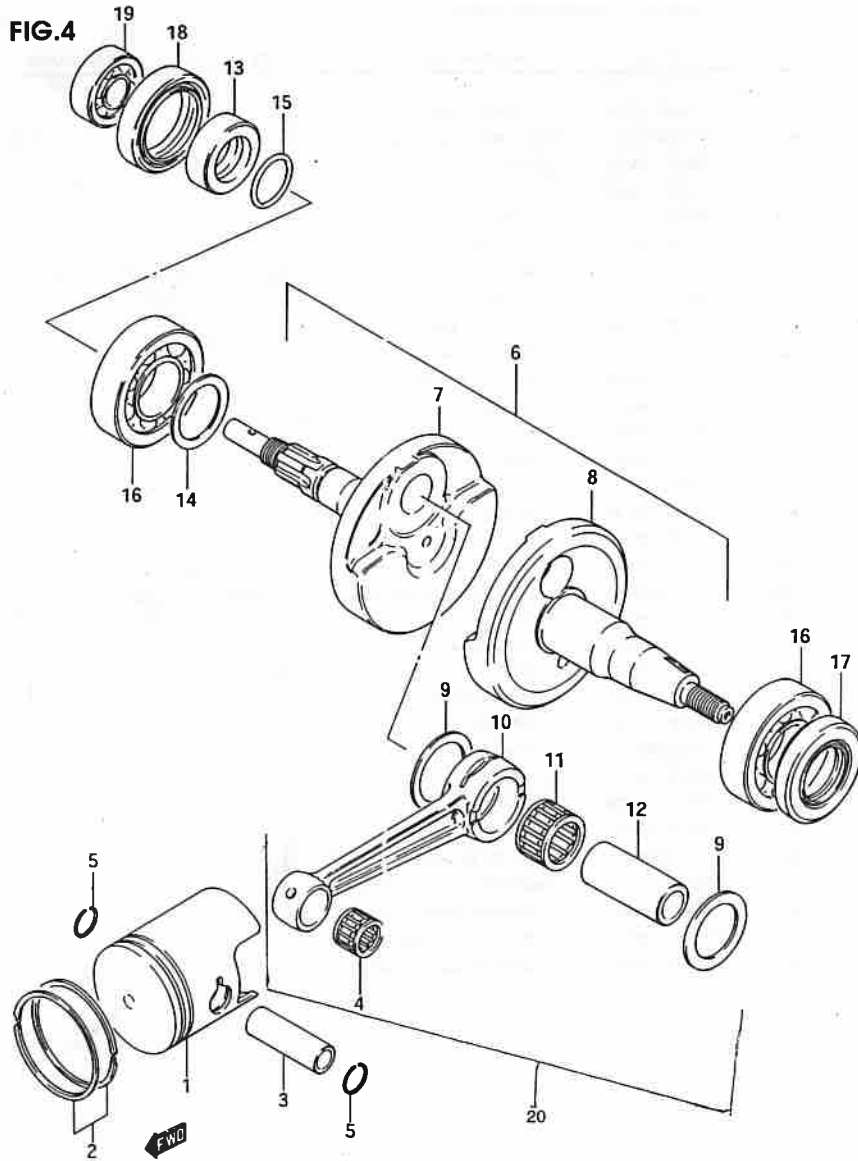


FIG.3 (B- 4) CRANKCASE COVER

REF.NO.	PART NO.	DESCRIPTION	Q'TY	REMARKS
1	11340 - 35420	COVER, clutch	1	
2	11482M35401	GASKET, clutch cover	1	
3	09206 - 13001	PIN	2	
4	02112 - 06207	SCREW	1	
5	02112 - 06257	SCREW	3	
6	02112 - 06407	SCREW	3	
7	02112 - 06457	SCREW	2	
8	09168 - 06001	GASKET	1	
9	09128 - 06004	PLUG, oil level	1	
10	09200 - 20810	PLUG, oil filler	1	
11	11351M35406	COVER, magneto	1	
12	11389 - 35402	CUSHION	1	
13	02112 - 06357	SCREW	4	
14	09160 - 06031	WASHER	4	
15	09161 - 09003	WASHER	4	
16	09180 - 06134	SPACER	4	
17	11483 - 35400	CUSHION	1	
18-1	11361M35403	COVER, engine sprocket	1	model G/J/K/L
18-2	11361M35510	COVER, engine sprocket	1	model N
19	02112 - 06507	SCREW	2	
20	17110 - 35410	FAN, cooling	1	
21	01107 - 06167	BOLT	2	
22	08321 - 21067	LOCK WASHER	2	
23	08322 - 21067	WASHER	2	
24	17131M35414	COWLING, fan	1	
25	02112 - 06207	SCREW	1	
26	02112 - 06308	SCREW	2	
27	02112 - 06357	SCREW	1	
28	17133M35412	PLATE, fan cowling	1	
29	02152 - 05088	SCREW	3	
30	68233 - 35401	EMBLEM, clutch cover	1	
31	17139 - 35412	EMBLEM, fan cowling	1	
32	68234 - 35500	EMBLEM, sprocket cover	1	model N

2

2



RC80N P8

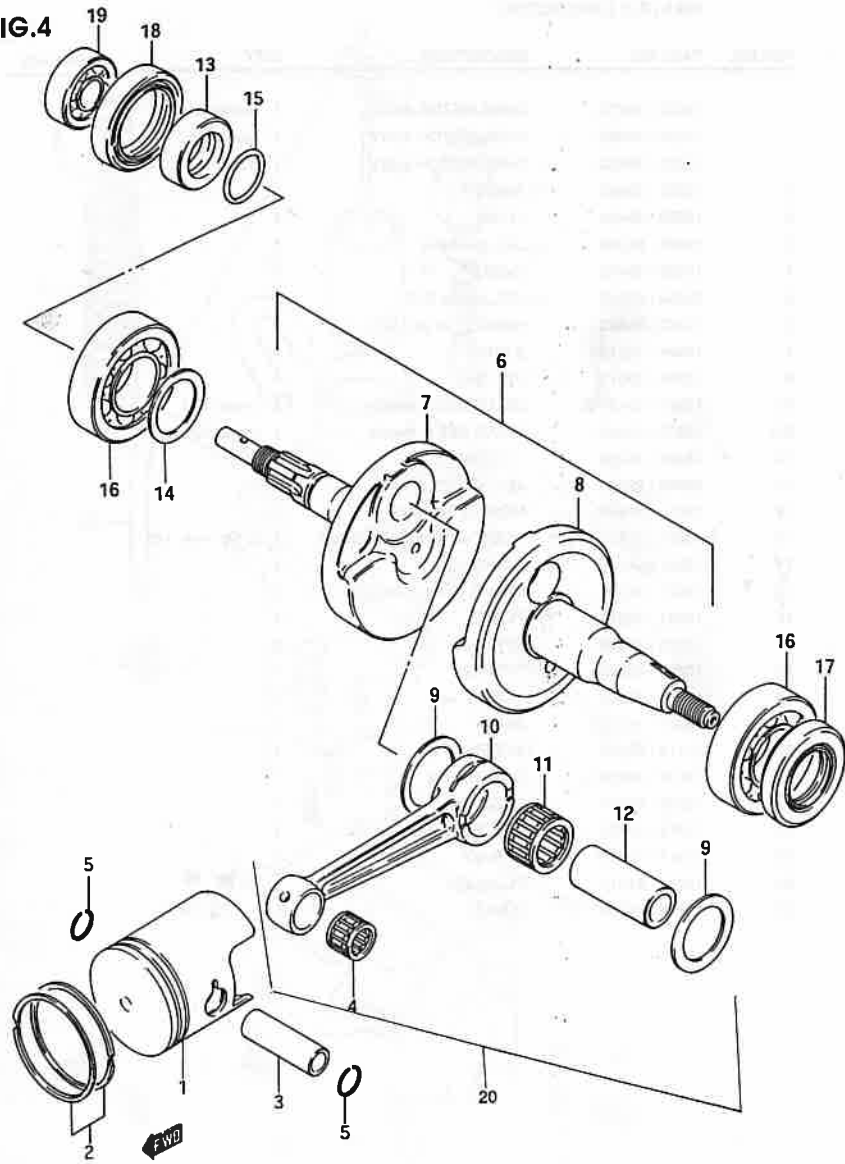
FIG.4 (B-5) CRANKSHAFT

REF.NO.	PART NO.	DESCRIPTION	Q'TY	REMARKS
1-1	12110 - 35407 - 0F0	PISTON (STD)	1	
1-2	12110 - 35407 - 050	PISTON (OS:05)	1	OPT
1-3	12110 - 35407 - 100	PISTON (OS:1.0)	1	OPT
2-1	12140 - 35410	RING SET, piston (STD)	1	
2-2	12140 - 35410 - 050	RING SET, piston (OS:0.5)	1	OPT
2-3	12140 - 35410 - 100	RING SET, piston (OS:1.0)	1	OPT
3	12151 - 35400	PIN, piston	1	
4	09263 - 12023	BEARING, piston pin	1	
5	09381 - 12001	CIRCLIP	2	
6	12200 - 35406	CRANKSHAFT ASSY	1	
7	12221 - 35403	.CRANKSHAFT, RH	1	
8	12261 - 35403-0A0	.CRANKSHAFT, LH	1	
9	09160 - 20010	.WASHER	2	
10	12161 - 35500	.ROD, connecting	1	
11	09283 - 20052	.BEARING	1	
12	12211 - 35401	.PIN, crank	1	
13	12359 - 35400	SPACER, RH	1	
14-1	09181 - 25051	SHIM (T: 0.60)	1	
14-2	09181 - 25052	SHIM (T: 0.65)	1	
14-3	09181 - 25053	SHIM (T: 0.70)	1	
14-4	09181 - 25054	SHIM (T: 0.75)	1	
14-5	09181 - 25055	SHIM (T: 0.80)	1	
14-6	09181 - 25056	SHIM (T: 0.85)	1	
14-7	09181 - 25057	SHIM (T: 0.90)	1	
14-8	09181 - 25058	SHIM (T: 0.95)	1	
14-9	09181 - 25059	SHIM (T: 1.00)	1	
14-10	09181 - 25060	SHIM (T: 1.05)	1	
14-11	09181 - 25061	SHIM (T: 1.10)	1	
14-12	09181 - 25062	SHIM (T: 1.15)	1	
14-13	09181 - 25063	SHIM (T: 1.20)	1	
14-14	09181 - 25064	SHIM (T: 1.25)	1	
14-15	09181 - 25065	SHIM (T: 1.30)	1	

FIG.4

FIG.4 (B-8) CRANKSHAFT

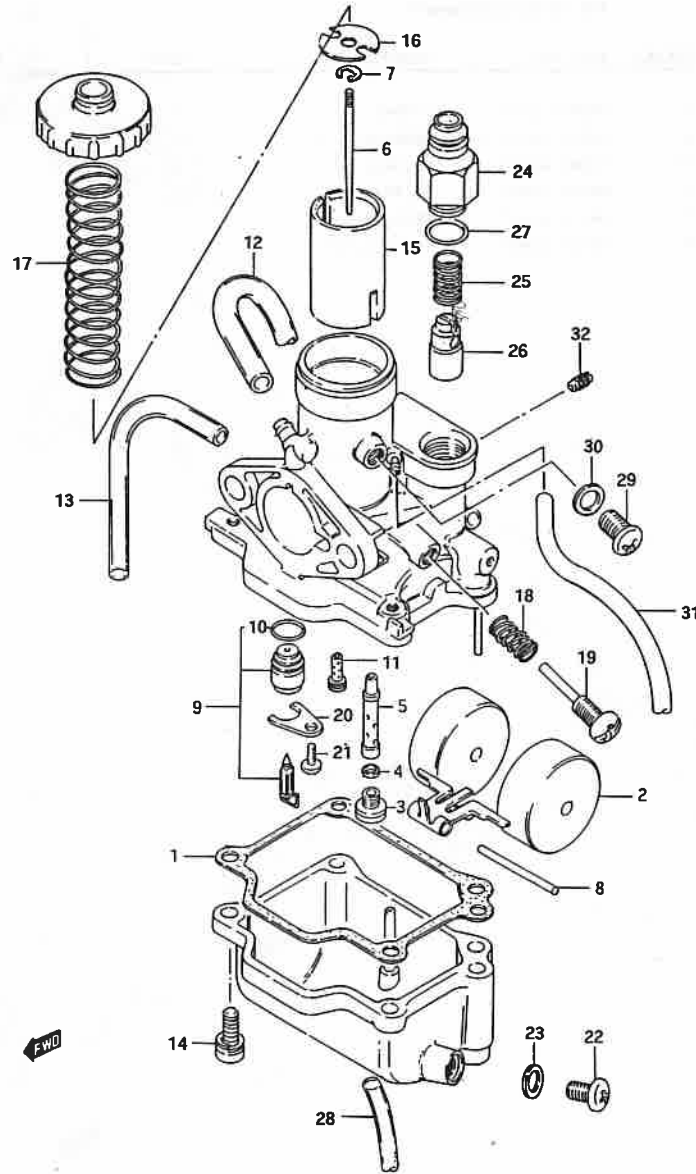
REF.NO.	PART NO.	DESCRIPTION	Q'TY	REMARKS
15	09280 - 20004	O RING	1	
16	09262 - 25070 - 0A0	BEARING	2	
17	09283 - 25086	OIL SEAL, LH	1	
18	09289 - 32003	OIL SEAL, RH	1	
19	08143 - 62017	BEARING, RH	1	
20.	12105 - 35840	CON ROD SET	1	



RC80N P8

2

FIG.5



RC80N P8

FIG.5 (B-7) CARBURETOR

REF.NO.	PART NO.	DESCRIPTION	Q'TY	REMARKS
	13200 - 35470	CARBURETOR ASSY	1	model G/J
	13200 - 35480	CARBURETOR ASSY	1	model K/L
	13200 - 35490	CARBURETOR ASSY	1	model N
1	13251 - 35400	.GASKET	1	
2	13250 - 35400	.FLOAT	1	
3	09491 - 85008	.JET, main (85)	1	
4	13332 - 35400	.GASKET	1	
5	09494 - 00525	.JET, needle (E-5)	1	
6	13383 - 35440	.NEEDLE, jet (3L19-3)	1	
7	13394 - 12110	.E RING	1	
8	13254 - 20010	.PIN, float	1	
9-1	13370 - 02421	.VALVE ASSY, needle	1	model G/J
9-2	13370 - 03A40	.VALVE ASSY, needle	1	model K/L
10	13374 - 46710	.O RING	1	
11	09492 - 22006	.JET, pilot (22.5)	1	
12	13683 - 35420	.HOSE (4.5x6x600)	1	
13	13683 - 37420	.HOSE, air vent (3.5x6.5x500)	1	L: 50 → 140
14	13601 - 04148	.SCREW	4	
15	13551 - 35410	.VALVE, piston (CA:2.0)	1	
16	13581 - 36212	.PLATE	1	
17	13573 - 35400	.SPRING	1	
18	13268 - 43200	.SPRING	1	
19	13267 - 43200	.SCREW, stop	1	
20	13373 - 46710	.PLATE	1	
21	02112 - 03066	.SCREW	1	
22	13247 - 43200	.SCREW, plug	1	
23	13249 - 43200	.GASKET	1	
24	13418 - 43200	.HOLDER, guide	1	
25	13417 - 01010	.SPRING	1	
26	13411 - 01010	.PLUNGER	1	
27	13278 - 02330	.O RING	1	

FIG.5

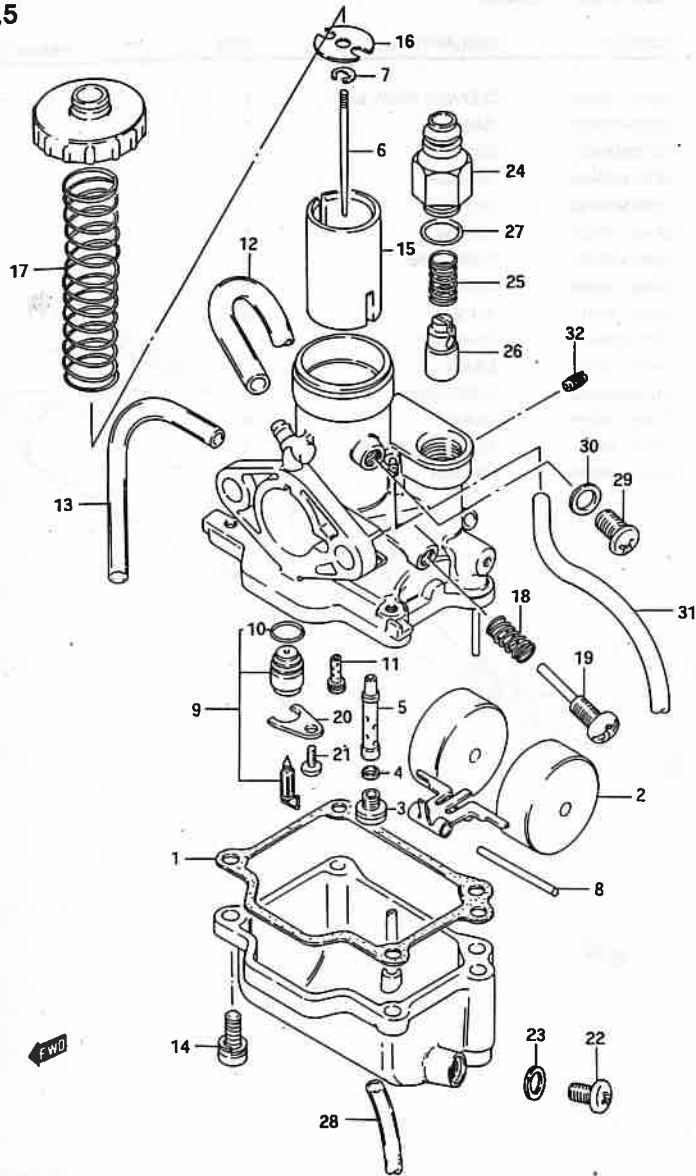
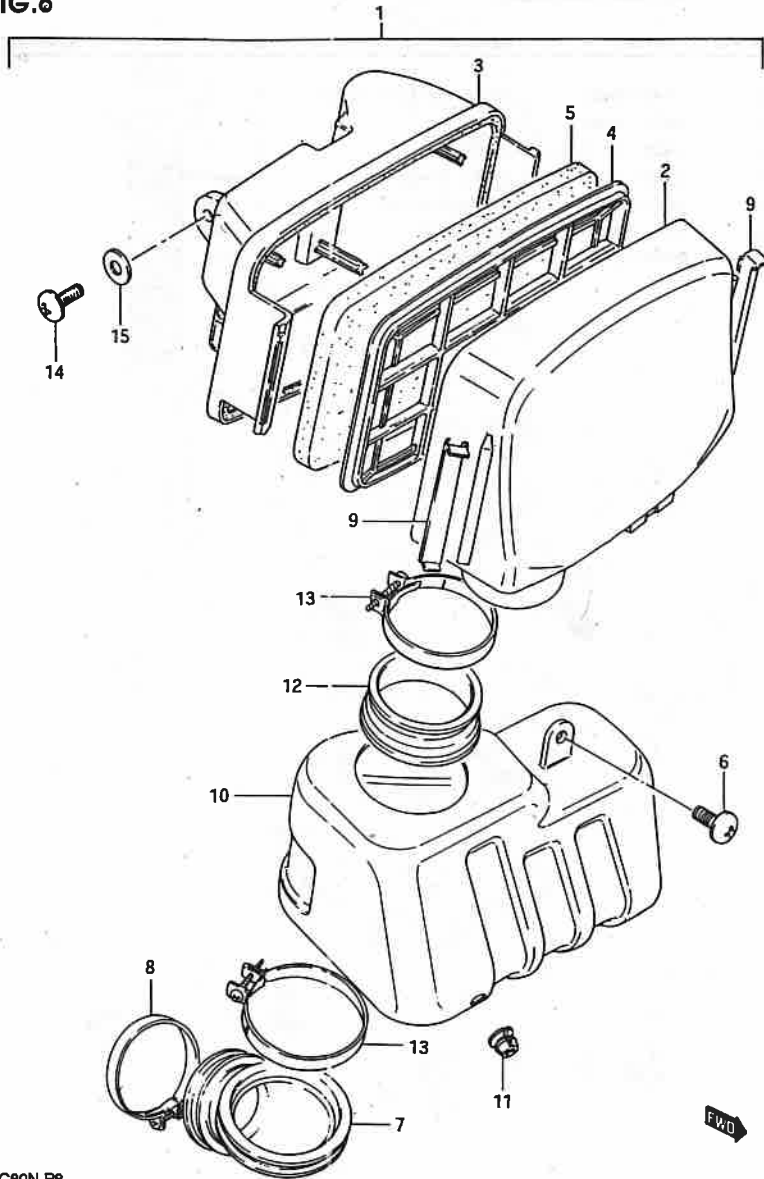


FIG.5 (B-8) CARBURETOR

REF.NO.	PART NO.	DESCRIPTION	QTY.	REMARKS
28	13683 - 35430	.HOSE, over flow (2.5x250)	1	
29	02112 - 05066	.SCREW	1	
30	13523 - 46110	.GASKET	1	
31	13683 - 36A00	.HOSE, air vent No. 2	1	model N
32-1	09493 - 28006	.JET, pilot air (1.4)	1	model G/J
32-2	09493 - 26004	.JET, pilot air (1.3)	1	model K/L
32-3	09493 - 24007	.JET, pilot air (1.2)	1	OPT

FIG.6



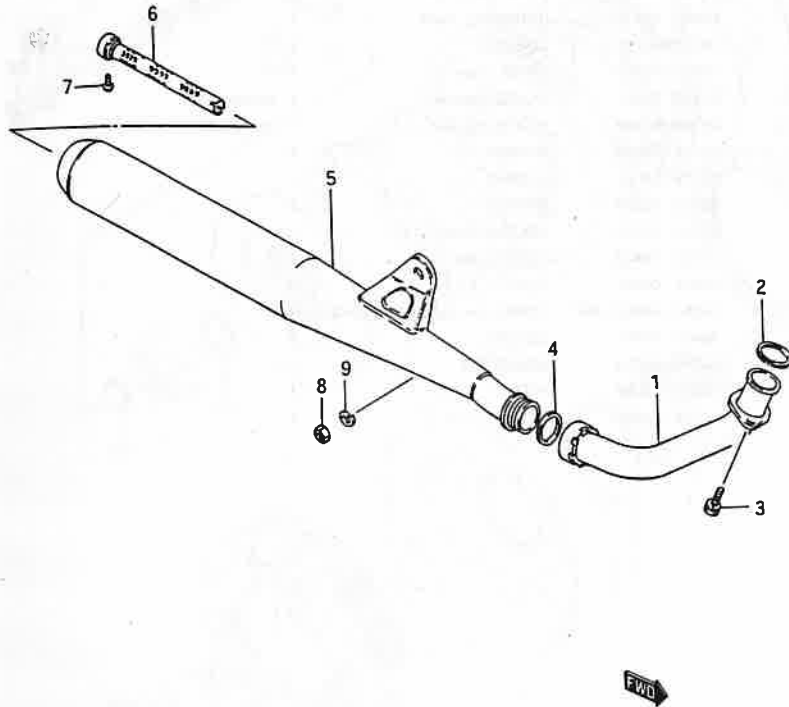
RC80N P8

FIG.6 (B-9) AIR CLEANER

REF.NO.	PART NO.	DESCRIPTION	Q'TY	REMARKS
1	13700 - 35403	CLEANER ASSY, air	1	
2	13720M35402	.CASE	1	
3	13740M35401	.CAP	1	
4	13791M35400	.HOLDER	1	
5	13781M35400	.FILTER	1	
6	02142 - 06127	.SCREW	1	
7	13881M35401	.TUBE, outlet	1	
8	09402 - 40305	.CLAMP	1	
9	13821 - 00011	.SLIDER	2	
10	13711M35403	.CHAMBER	1	
11	13860 - 00010	.DRAIN	1	
12	13739M35400	.TUBE, joint	1	
13	09402 - 48208	.CLAMP	2	
14	02142 - 06167	SCREW	2	
15	09160 - 06006	WASHER	2	

FIG.7

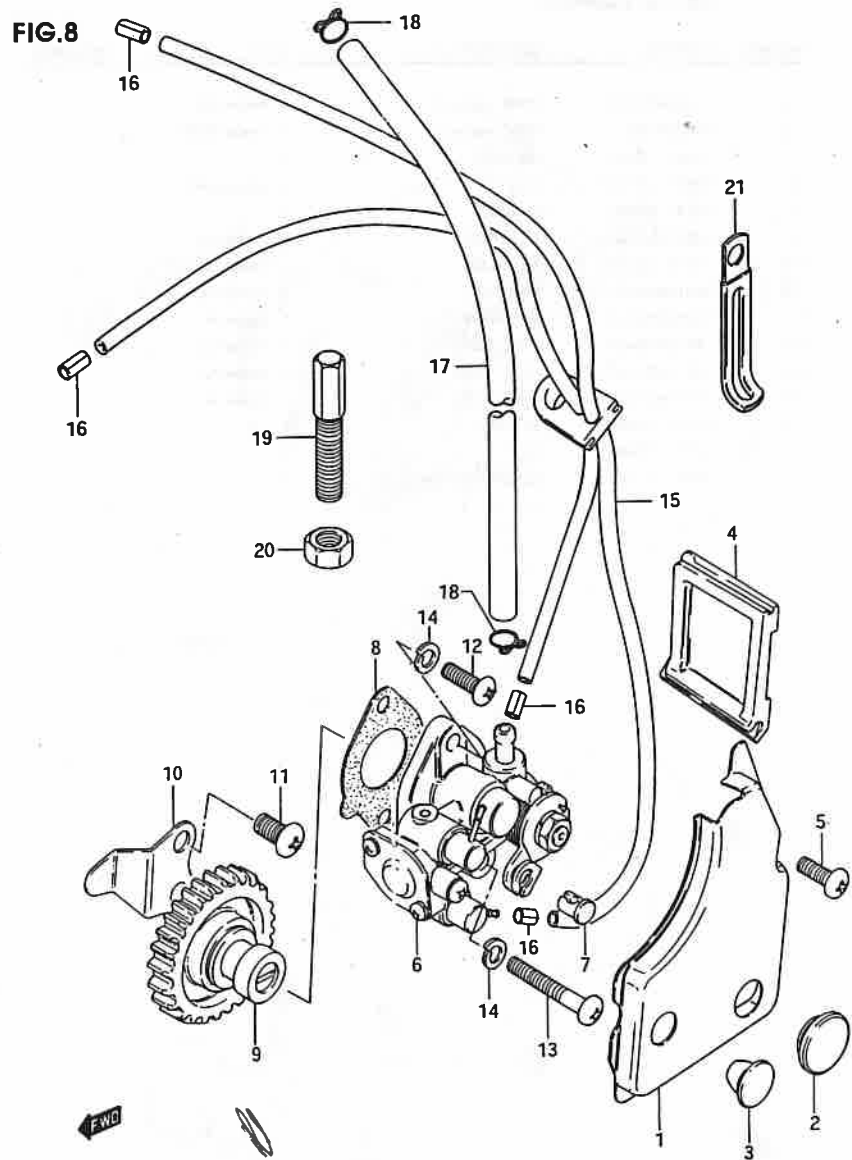
FIG.7 (B-10) MUFFLER



REF.NO.	PART NO.	DESCRIPTION	Q'TY	REMARKS
1-1	14105M35441	PIPE, exhaust	1	model G/J
1-2	14105M09C00	PIPE, exhaust	1	model K/L/N
2	14181 - 35400	GASKET	1	
3	09137 - 08002	BOLT	2	Local parts
4	14181 - 35400	GASKET	1	
5-1	14310M35441	MUFFLER	1	model G/J
5-2	14310 - 35430	MUFFLER	1	model G/J, OPT
5-3	14310M09C01	MUFFLER	1	model K/L
5-4	14310M09C20	MUFFLER	1	model N
6-1	14510M35401	PIPE, baffle	1	model G/J
6-2	14510M31C00	PIPE, baffle	1	model K/L
6-3	14510M09C20	PIPE, baffle	1	model N
7	02112 - 05068	SCREW	1	
8	08310 - 12088	NUT	1	
9	08321 - 21088	LOCK WASHER	1	

2

2



RC80N P8

FIG.8 (B-11) OIL PUMP

REF.NO.	PART NO.	DESCRIPTION	Q'TY	REMARKS
1-1	11385 - 35403	CAP, oil pump inspection	1	W/09321-09001
1-2	11385M35404	CAP, oil pump inspection	1	W/O 09321-09001
2	09250 - 12009	CAP	1	
3	09321 - 09001	PLUG	1	
4	11387 - 35401	SEAL	1	
5	02112 - 05108	SCREW	2	
6	16100 - 35403	PUMP ASSY, oil	1	
7	16292 - 03112	TERMINAL, cable	1	
8	16731M03101	GASKET	1	
9	16320 - 35401	GEAR, drive	1	
10-1	16329 - 35401	PLATE, stopper	1	model G/J/K
10-2	16329M35402	PLATE, stopper	1	model L/N
11	02112 - 06128	SCREW	2	
12	02112 - 05168	SCREW	1	
13	02112 - 05308	SCREW	1	
14	08321 - 21057	LOCK WASHER	2	
15	16820 - 35403	HOSE, outlet	1	
16	09401 - 04401	CLIP	4	
17	09354 - 45853 - 600	HOSE, inlet (L:600 → 240)	1	
18	09401 - 08401	CLAMP	2	
19	09119 - 08014	ADJUSTER	1	
20	08310 - 12088	NUT	1	
21	09404 - 06402	CLAMP	1	

FIG.9

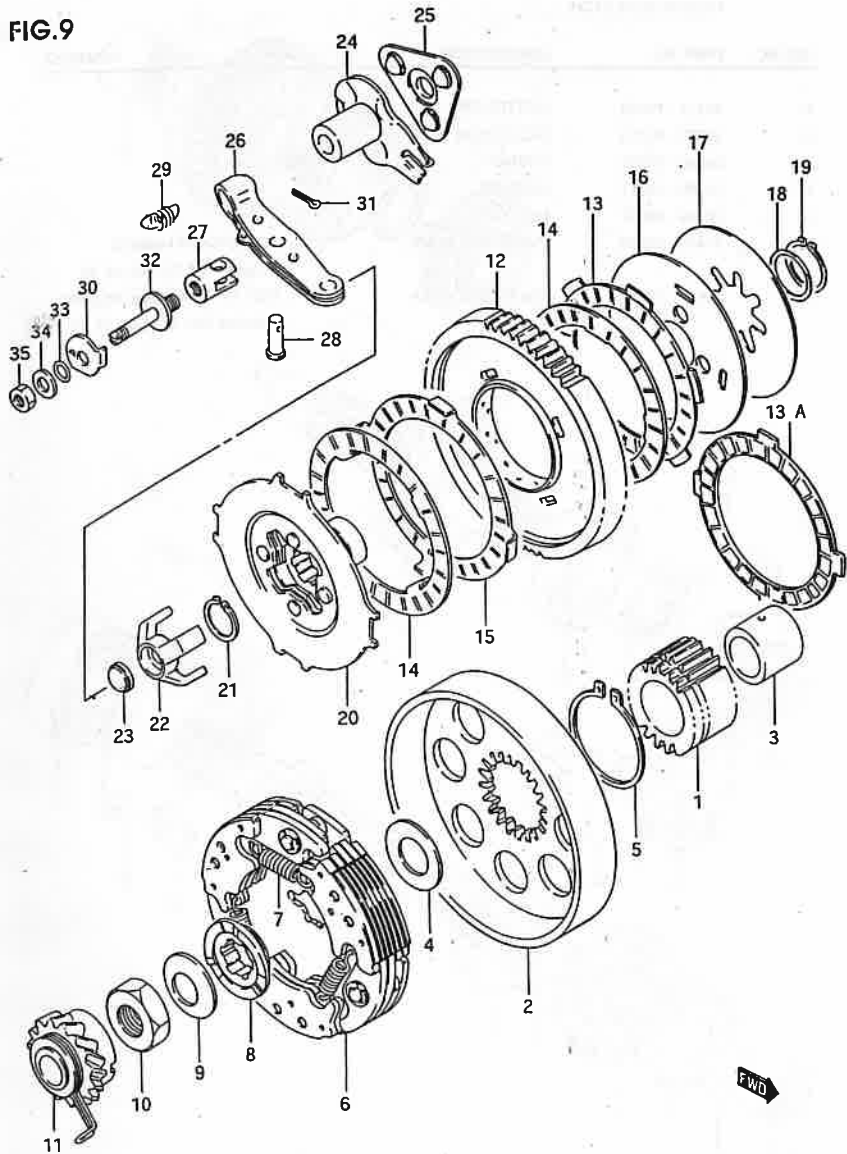


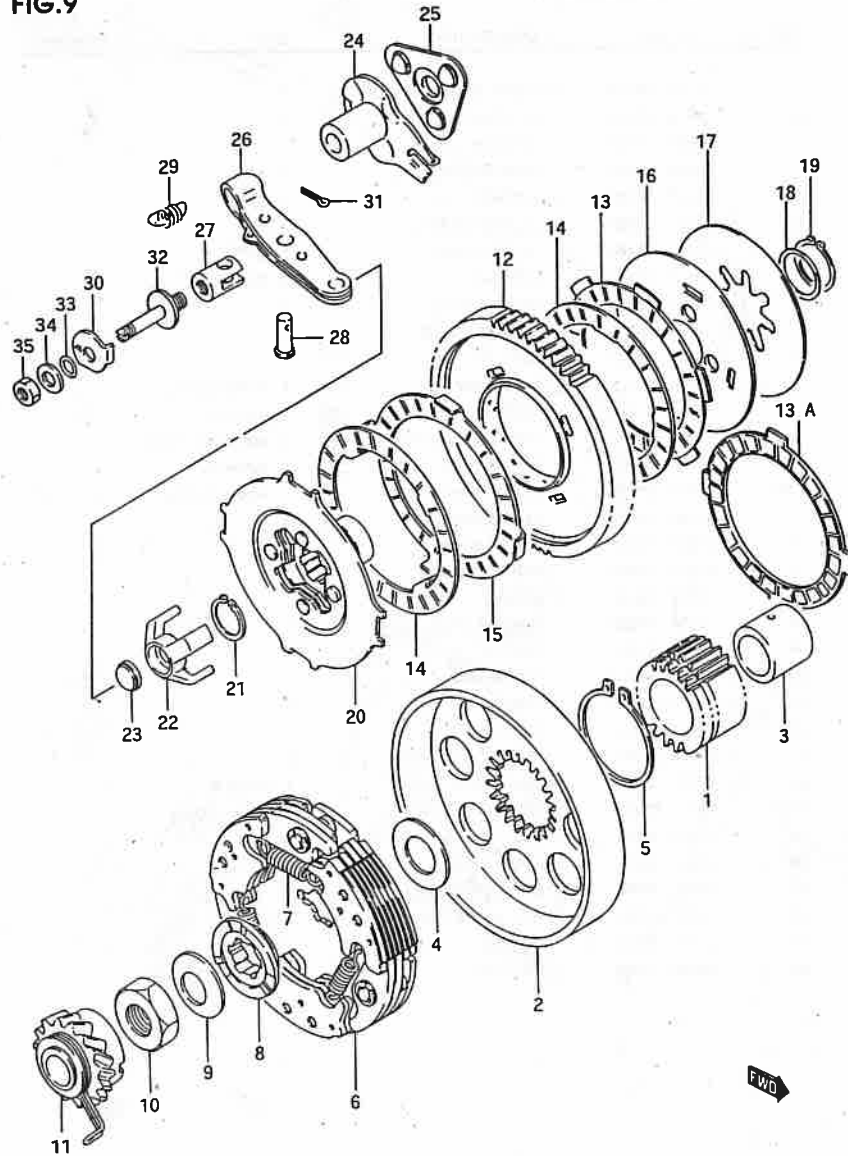
FIG.9 (C- 2) CLUTCH

REF.NO.	PART NO.	DESCRIPTION	Q'TY	REMARKS
1	21111 - 35404	GEAR, primary drive (NT: 20)	1	
2	2F112 - 35402	HOUSING, clutch	1	
3	09180 - 19007	SPACER	1	
4	09160 - 17032	THRUST WASHER	1	
5	08331 - 31383	CIRCLIP	1	
6-1	21501 - 35423	CLUTCH ASSY	1	
6-2	21501 - 35440	CLUTCH ASSY	1	OPT
7	09443 - 09025	SPRING	3	OPT
8	26231 - 35403	STARTER, kick	1	
9	09164 - 14011	LOCK WASHER	1	
10	09140 - 14022	NUT	1	
11-1	26280 - 35402	GEAR, kick driven	1	model G/J/K/L
11-2	26280 - 31C00	GEAR, kick driven	1	model N
12	21210 - 35503	GEAR, primary driven (NT:65)	1	with 21441-35510
13	21441 - 04400	PLATE, drive	1	model G
13A	21441 - 35510	PLATE, drive	1	model J/K/L/N
14	21451 - 35401	PLATE, driven	2	
15	21452 - 35401	PLATE, driven, No. 2	1	
16	21461 - 35402	PLATE, pressure	1	
17	09164 - 22004	SPRING	1	
18	09180 - 22033	SPACER (T:4)	1	
19	08331 - 31216	CIRCLIP	1	
20	21410 - 35412	HUB, sleeve	1	
21	08331 - 31176	CIRCLIP	1	
22	23121 - 35410	PIECE, push	1	
23	09266 - 16002	THRUST BEARING	1	
24-1	23230 - 35401	BALL GUIDE, outer	1	model G
24-2	23230 - 35410	BALL GUIDE, outer	1	model J/K/L/N
25	23250 - 35401	BALL, release	1	
26	23221 - 35403	ARM, release	1	
27	23222 - 09400	BOSS, release arm	1	
28	09200 - 07005	PIN, release arm	1	
29	09443 - 06053	SPRING	1	
30	09169 - 06046	WASHER	1	

2

2

FIG.9



RC80N P8

FIG.9 (C-3) CLUTCH

REF.NO.	PART NO.	DESCRIPTION	Q'TY	REMARKS
31	04111 - 16158	COTTER PIN	1	
32	23223 - 35413	BOLT, adjust	1	
33	09280 - 06005	O RING	1	
34	09160 - 06017	WASHER	1	
35	08310 - 22067	NUT	1	
36-1	21400 - 35820	PLATE SET, clutch	1	NOT SHOWN Model G includes Ref. No. 13, 14, 15
36-2	21400 - 35850	PLATE SET, clutch	1	NOT SHOWN Model J/K/L/N includes Ref. No. 13A, 14, 15

FIG.10

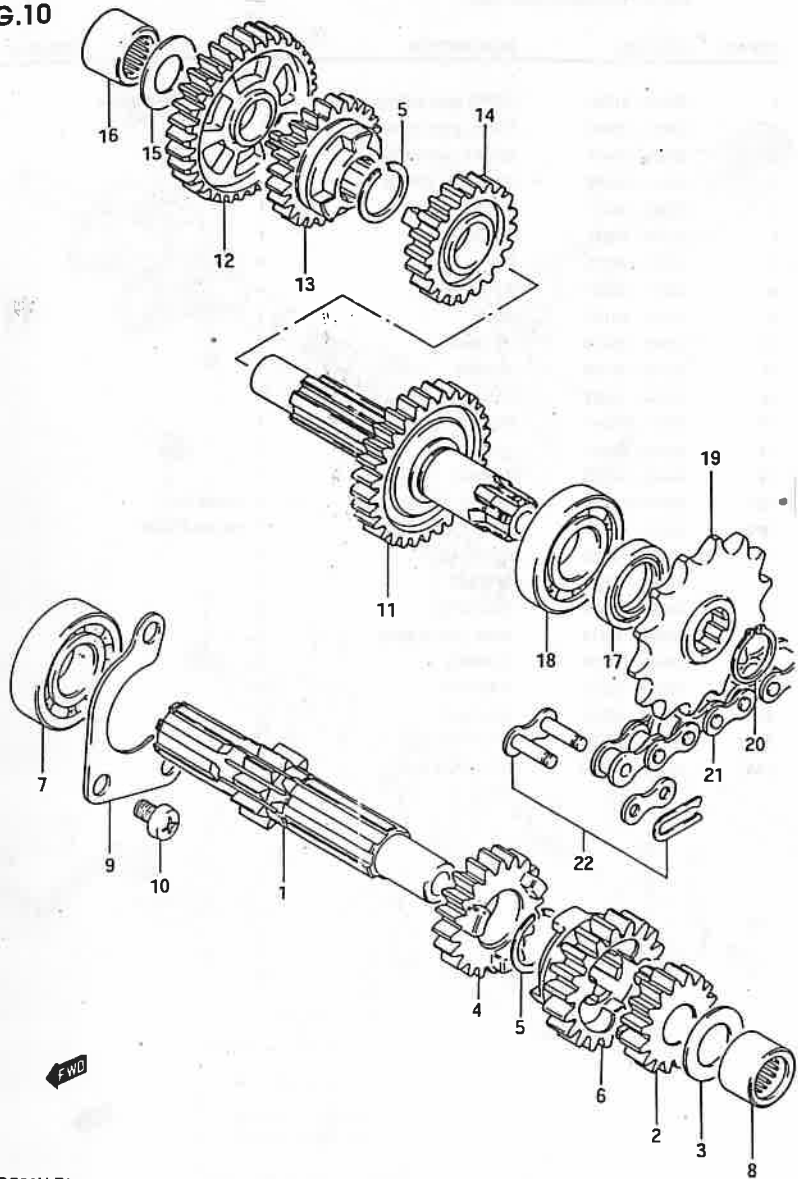
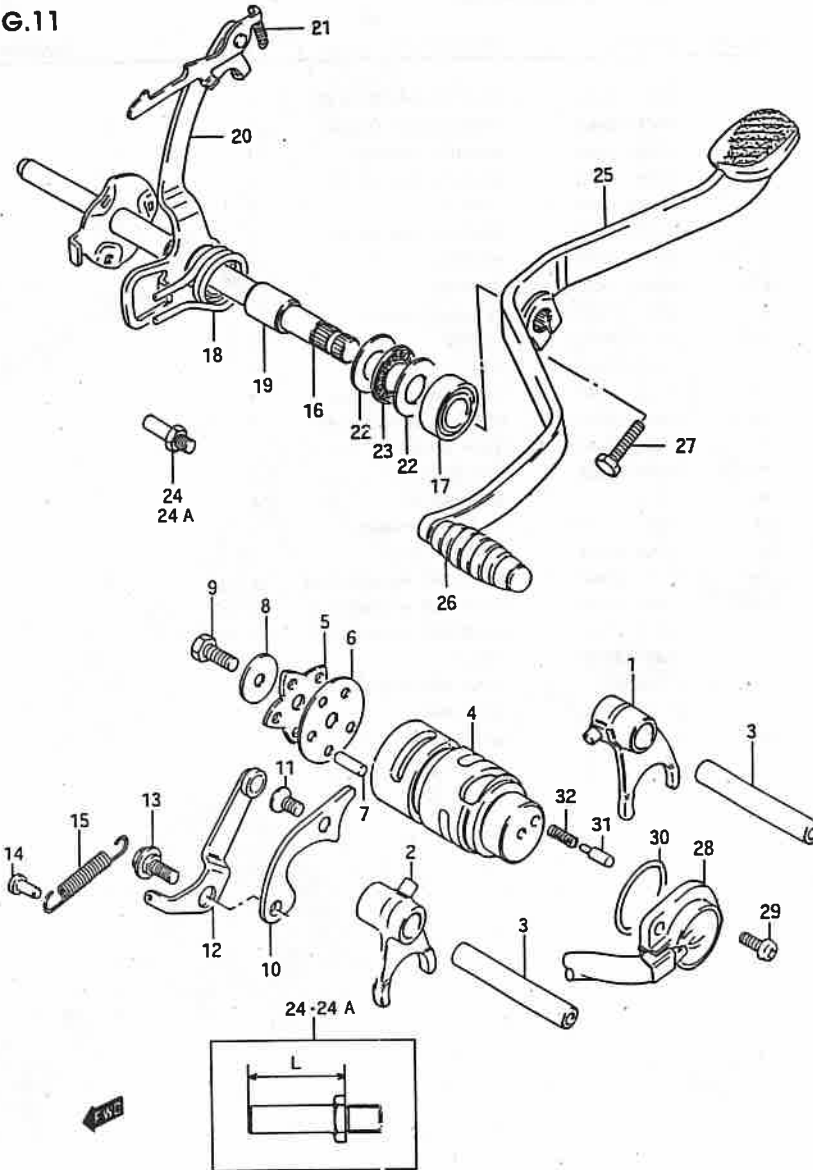


FIG.10 (C-4) TRANSMISSION

REF.NO.	PART NO.	DESCRIPTION	Q'TY	REMARKS
1	24121 - 35406	COUNTERSHAFT (NT:10)	1	
2	24220 - 02A00	GEAR, 2nd drive (NT:16)	1	
3	09160 - 13006	WASHER (13x24x1)	1	
4	24231 - 35403	GEAR, 3rd drive (NT:20)	1	
5	09380 - 17007	CIRCLIP	2	
6	24241 - 35404	GEAR, 4th drive (NT:19)	1	
7	08110 - 62030	BEARING, RH	1	
8	09263 - 13001	BEARING, LH	1	
9	24741 - 35400	RETAINER, bearing	1	
10	02112 - 06108	SCREW	3	
11	24130 - 35402	SHAFT, drive (NT:29)	1	
12	24310 - 30A00	GEAR, 1st driven (NT:34)	1	
13	24331 - 35403	GEAR, 3rd driven (NT:24)	1	
14	24341 - 35404	GEAR, 4t driven (NT:20)	1	
15	09160 - 13006	WASHER (13x24x1)	1	
16	09263 - 13001	BEARING, RH	1	
17	09283 - 17014	OIL SEAL (17x28x6)	1	
18	09262 - 17023	BEARING, LH	1	
19-1	27511 - 27401	SPROCKET, engine (NT:14)	1	
19-2	27511 - 46000	SPROCKET, engine (NT:13)	1	OPT
19-3	27511 - 27410	SPROCKET, engine (NT:15)	1	OPT
20	08331 - 31166	CIRCLIP	1	
21	27600M07612	CHAIN, drive (428x102LE)	1	
22-1	27620 - 05220	JOINT (RK)	1	
22-2	27620 - 20910	JOINT (DID)	1	

3

FIG.11



3

FIG.11 (C-5) GEAR SHIFTING

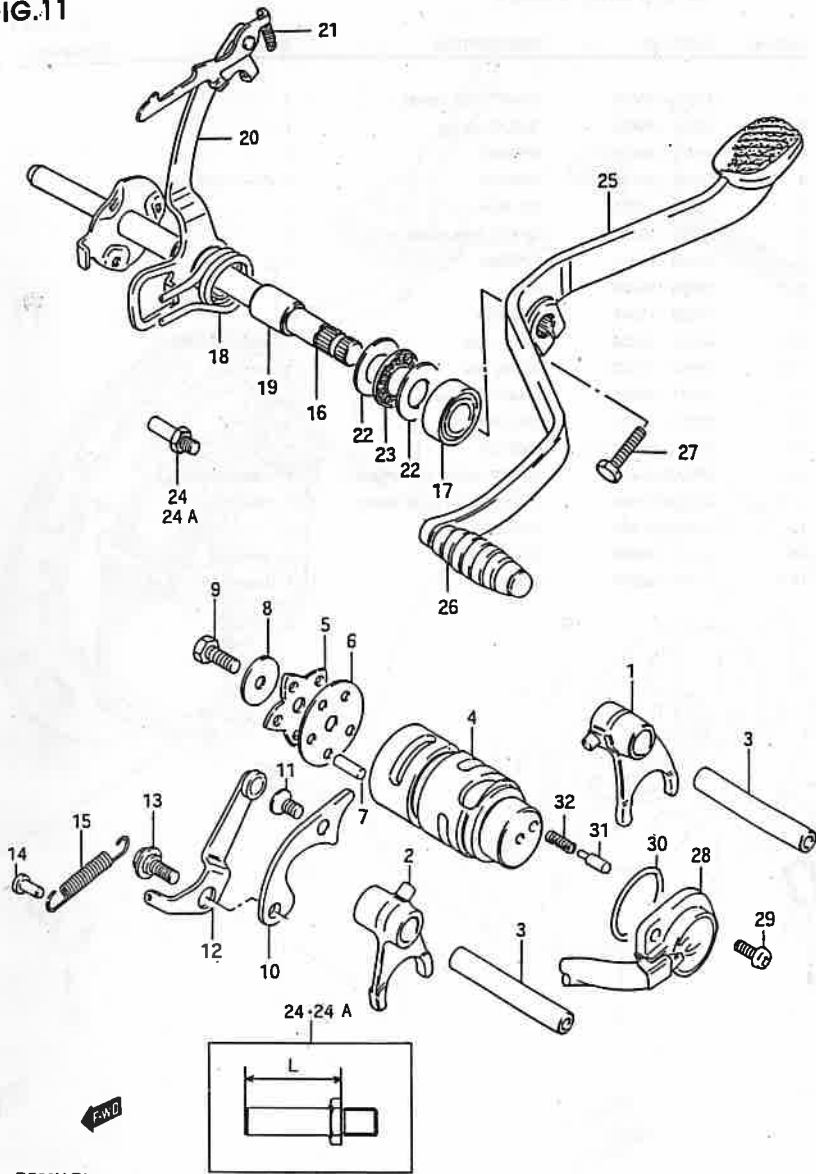
REF.NO.	PART NO.	DESCRIPTION	Q'TY	REMARKS
1	25210 - 31C01	FORK, gear shifting, No. 1	1	← 25211 - 35400
2	25221 - 35400	FORK, gear shifting, No. 2	1	
3	25421 - 35401	SHAFT, gear shifting	2	
4	25311 - 35413	CAM, gear shifting	1	
5	25381 - 35411	PLATE, stopper	1	
6	25382 - 35411	GUIDE, pin	1	
7	09261 - 04002	PIN	4	
8	08211 - 06221	STOPPER, pin	1	
9	01107 - 06167	BOLT	1	
10	25341 - 35400	RETAINER	1	
11	02122 - 06128	SCREW	1	
12	25350 - 35403	STOPPER, cam	1	
13	09111 - 06041	BOLT	1	
14	09223 - 04001	HOOK	1	
15	09443 - 07026	SPRING	1	
16-1	25510 - 35405	SHAFT, gear shifting	1	model G
16-2	25510 - 35411	SHAFT, gear shifting	1	model J/K/L/N
17	09285 - 12002	OIL SEAL	1	
18	09444 - 26021	SPRING	1	
19	09180 - 12036	SPACER	1	
20	25520 - 35415	ARM, gear shifting	1	
21	09443 - 09018	SPRING	1	
22	08211 - 12262	WASHER	2	
23	09263 - 12019	BEARING	1	
24	25671 - 35400	STOPPER, arm	1	L:28.5
24A	25671 - 31C00	STOPPER, arm	1	L:30.5

RC80N P8

FIG.11

FIG.11 (C-8) GEAR SHIFTING

REF.NO.	PART NO.	DESCRIPTION	Q'TY	REMARKS
25	25600M35450	LEVER ASSY, gear shifting	1	
26	25652M16500	.RUBBER	1	
27	01107 - 06207	BOLT	1	← 09100 - 06091
28	37720 - 35400	BODY, switch	1	
29	02112 - 05128	SCREW	2	
30	09280 - 26003	O RING	1	
31	09209 - 05011	CONTACT, switch	1	
32	09440 - 04010	SPRING	1	



3

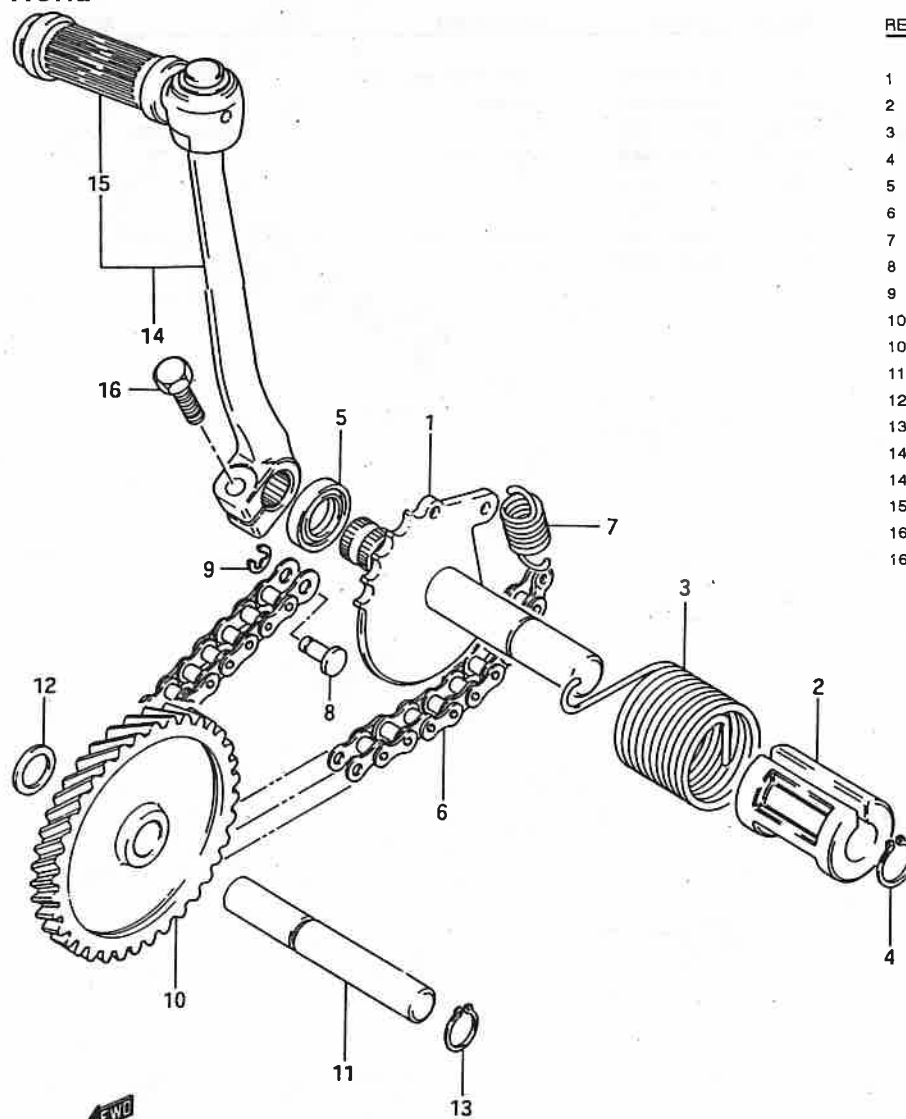
FWD

FC80N P8

FIG.12

FIG.12 (C-7) KICK STARTER

3



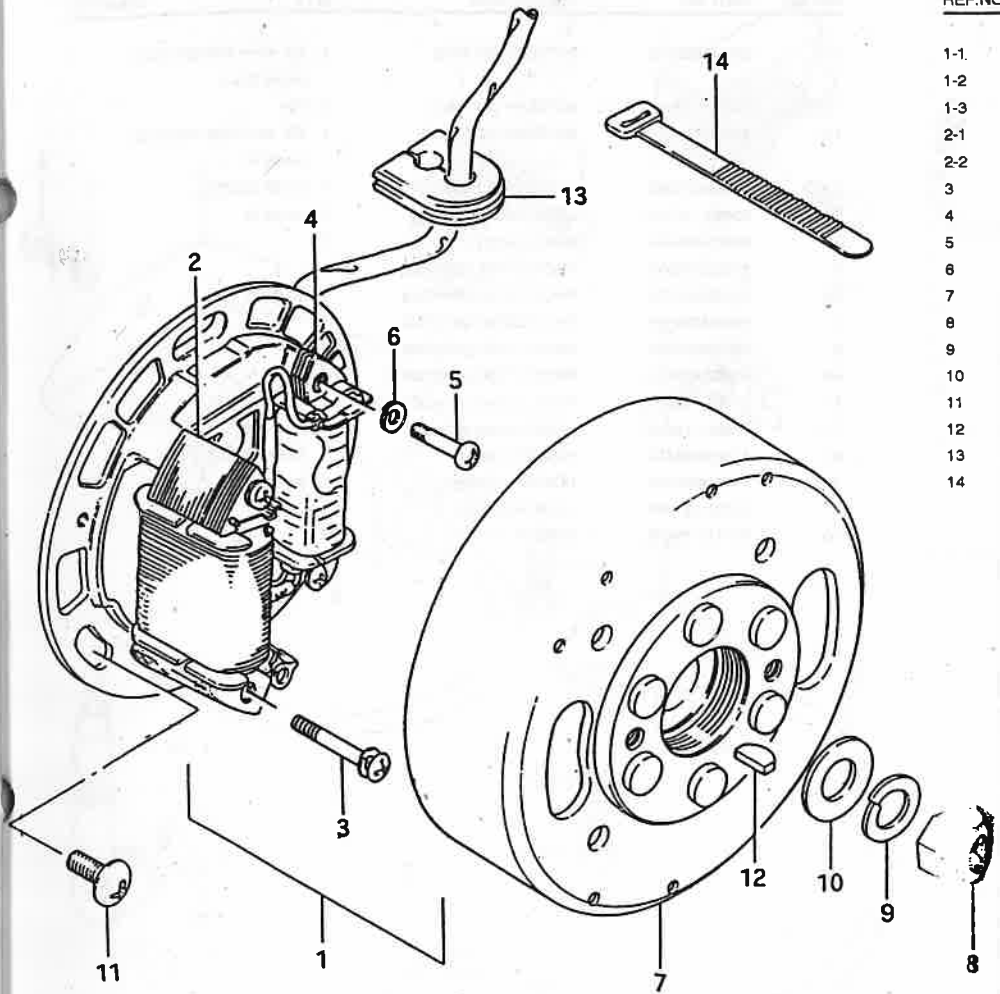
REF.NO.	PART NO.	DESCRIPTION	Q'TY	REMARKS
1	26210 - 35405	SHAFT, kick starter	1	
2	26221 - 35400	GUIDE, spring	1	
3	09448 - 39004	SPRING	1	
4	08331 - 31146	CIRCLIP	1 ←	08331 - 11149
5	09285 - 14001	OIL SEAL	1	
6	26240 - 35401	CHAIN, kick starter drive	1	
7	09443 - 13011	SPRING	1	
8	09208 - 05005	PIN	1	
9	08332 - 11046	E RING	1	
10-1	26261 - 35403	GEAR, idle	1	model G/J/K/L
10-2	26261 - 31C00	GEAR, idle	1	model N
11	26271 - 35401	SHAFT, idle gear	1	
12	08211 - 12181	WASHER	1	
13	08331 - 31126	CIRCLIP	1	
14-1	26300M35400	LEVER ASSY, kick starter	1	model G/J/K/L
14-2	26300M35440	LEVER ASSY, kick starter	1	model N
15	26352M01000	.RUBBER	1	
16-1	01107 - 06208	BOLT	1	model G
16-2	01107 - 06257	BOLT	1	model J/K/L/N

RC80N P8

FIG.13

FIG.13 (D-2) MAGNETO

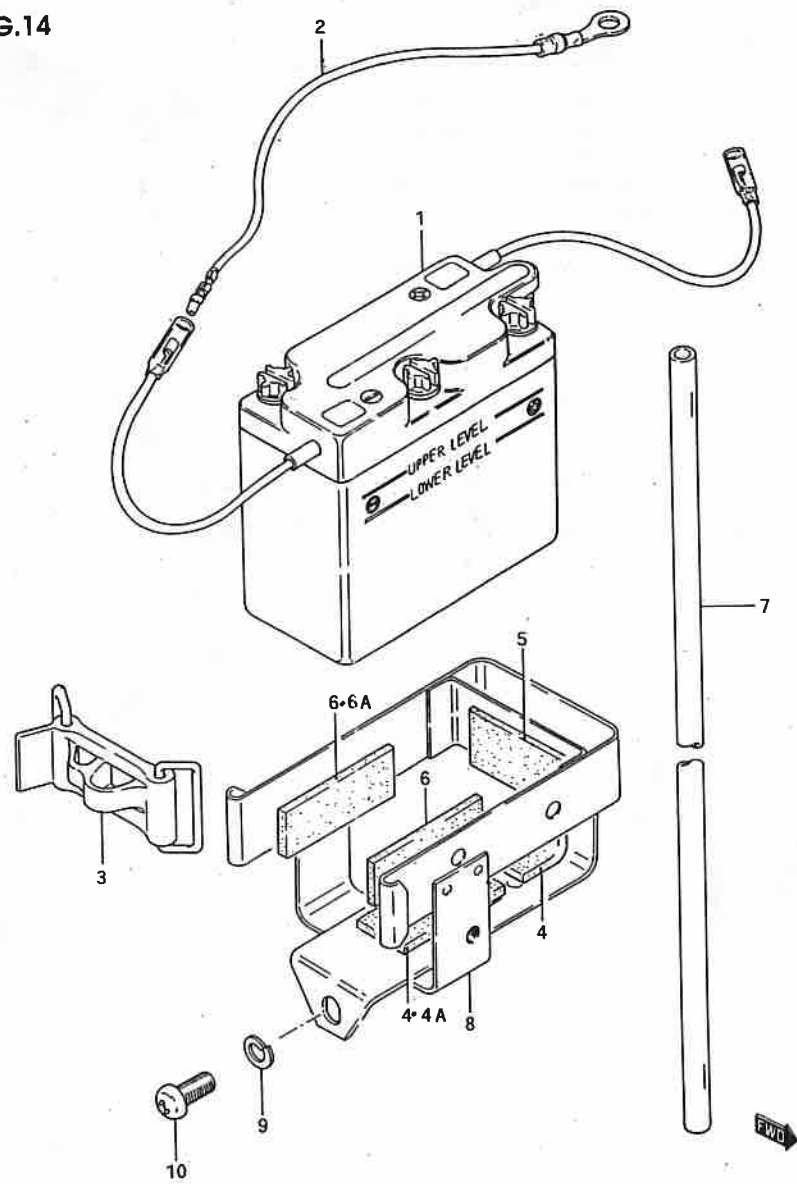
REF.NO.	PART NO.	DESCRIPTION	Q'TY	REMARKS
1-1	32101 - 35410	STATOR ASSY	2	model G/J
1-2	32101 - 34511	STATOR ASSY	1	model K/L
1-3	32101 - 35421	STATOR ASSY	1	model N
2-1	32120 - 35410	.COIL, lighting	1	model G/J/K/L
2-2	32120 - 35420	.COIL, lighting	1	model N
3	32351 - 39210	.SCREW	2	
4	32140 - 35410	.COIL, primary	1	
5	02112 - 04167	SCREW	2	
6	08321 - 21047	.LOCK WASHER	2	
7	32102 - 35410	ROTOR	1	
8	09140 - 10003	NUT	1	
9	08321 - 21107	LOCK WASHER	1	
10	08322 - 21108	WASHER	1	
11	02142 - 05128	SCREW	3	
12	08341 - 31039	KEY	1	
13	32372 - 35400	GROMMET	1	
14	09407 - 08401	CLAMP	1	model G



3

FIG.14

3



RC80N P8

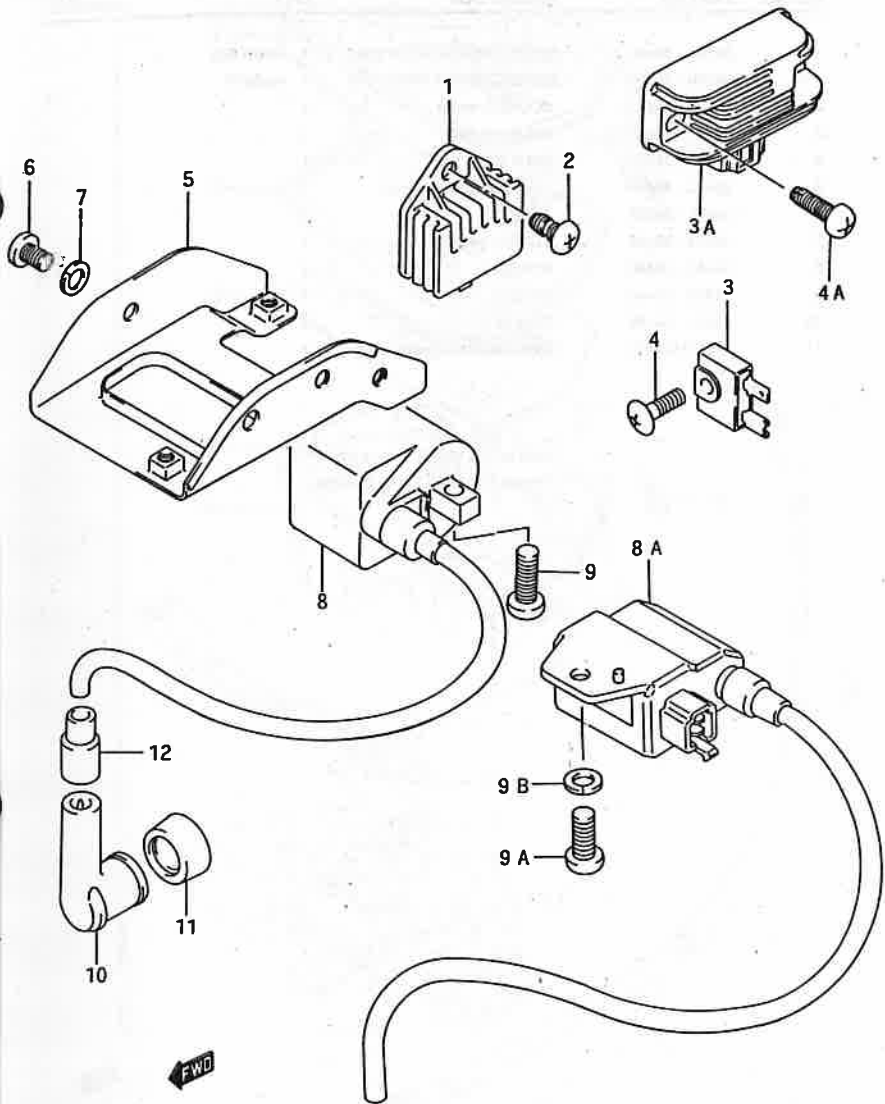
FIG.14 (D-3) BATTERY

REF.NO.	PART NO.	DESCRIPTION	Q'TY	REMARKS
1-1	33610M38010	BATTERY (6V,4AH)	1	YB ← 33610M03010 model G/J/K
1-2	33610 - 38020	BATTERY (6V, 4AH)	1	FB
1-3	33610M31C10	BATTERY (12V, 3AH)	1	YB ← 33610M31C00 model N
2-1	36862M27690	LEAD WIRE, battery (-)	1	model G/J/K/L
2-2	33860 - 31C10	LEAD WIRE, battery (-)	1	model N
3	33651M35400	BAND, battery	1	
4	33652M36000	PROTECTOR 930x50x3	2	
4A	33652M28C00	PROTECTOR (40x85x3)	1	model N
5	33652M39000	PROTECTOR (25x30x3)	1	
6	33652M35400	PROTECTOR (20x50x8)	2	
6A	33652M29100	PROTECTOR (20x90x3)	2	model N
7-1	33680 - 01400	HOSE, battery exhaust	1	model G/J/K/L
7-2	33680 - 14A00	HOSE, battery exhaust	1	model N
8-1	41540M35410	HOLDER, battery	1	model G/J/K/L
8-2	41540M35420	HOLDER, battery	1	model N
9	08321 - 21067	LOCK WASHER	1	
10	02112 - 06128	SCREW	1	

FIG.15

FIG.15 (D-4) ELECTRICAL

REF.NO.	PART NO.	DESCRIPTION	Q'TY	REMARKS
1	32500 - 02111	REGULATOR ASSY, voltage	1	
2	09129 - 06004	SCREW	1	
3	32800 - 19063	RECTIFIER ASSY	1	model G/J/K/L
3A	32800 - 35421	RECTIFIER ASSY	1	model N
4	09125 - 05043	SCREW	1	
4A	09129 - 06003	SCREW	2	
5	47410M35400	HOLDER, parts	1	model G/J
6	02112 - 06106	SCREW	2	model G/J
7	08321 - 21066	LOCK WASHER	2	model G/J
8	33410 - 35410	UNIT & COIL ASSY, ignition	1	model G/J
8A	33410 - 35450	UNIT & COIL ASSY, ignition	1	model J/K/L/N
9	02112 - 06206	SCREW	2	
9A	02112 - 06166	SCREW	1	
9B	08322 - 21066	WASHER	1	
10	33510 - 35410	CAP, spark plug	1	
11	33541 - 69010	SEAL, plug	1	
12	33542 - 35410	SEAL, high tension cord	1	



RC80N P8

3

FIG.16

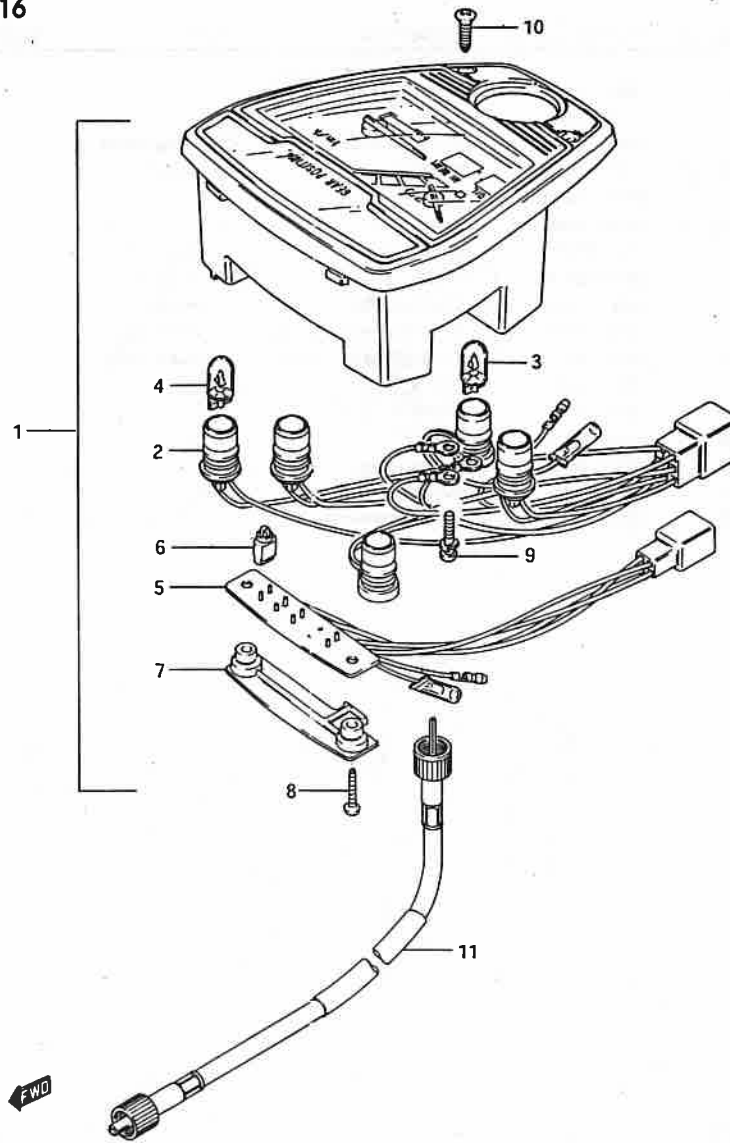


FIG.16 (D-5) SPEEDOMETER (model G/J/K)

REF.NO.	PART NO.	DESCRIPTION	Q'TY	REMARKS
1-1	34100 - 35440	SPEEDOMETER ASSY (kilo)	1	model G/J
1-2	34100 - 35590	SPEEDOMETER ASSY (kilo)	1	model K
2	34173 - 35441	SOCKET, meter	1	
3	09471 - 06053	BULB (6V,3W)	4	
4	09471 - 06052	BULB (6V,1.7W)	1	
5	36453 - 35440	SOCKET, gear indicator	1	
6	09471 - 06059	BULB	5	
7	36454 - 35440	COVER, gear indicator	1	
8	36457 - 35440	SCREW	2	
9	34383 - 09400	SCREW	3	
10	03231 - 04165	SCREW	2	
11	34910M35400	CABLE ASSY, speedometer	1	

Refer to FIG.16A(D-6) for model L
Refer to FIG.16B(D-7) for model N

FIG.16A

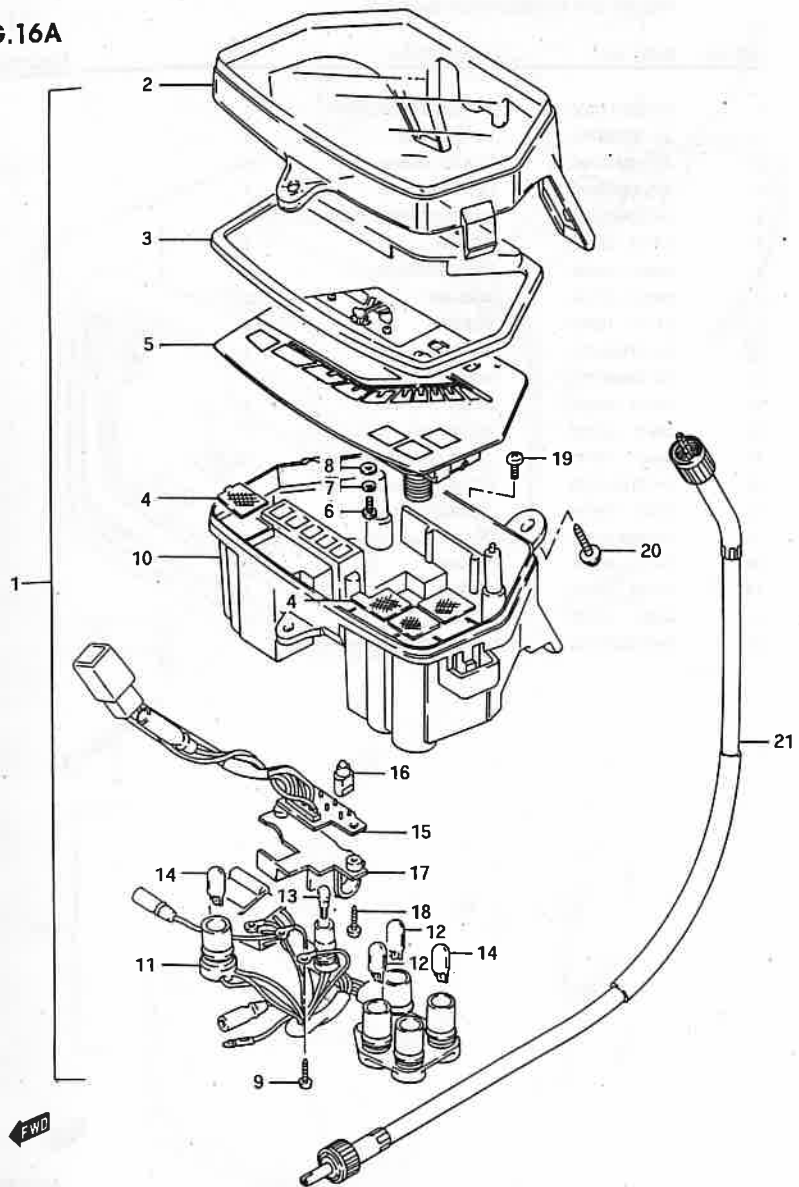


FIG.16A (D-6) SPEEDOMETER (model L)

REF.NO.	PART NO.	DESCRIPTION	QTY	REMARKS
1	34100 - 10C20	SPEEDOMETER ASSY	1	
2	34112 - 95700	.HOOD, meter	1	
3	34113 - 35780	.PLATE, window	1	
4	36300 - 35820	.LENS SET, pilot	1	
5	34120 - 09C60	.SPEEDOMETER (Kilo)	1	
6	02112 - 03106	.SCREW	2	
7	08321 - 21036	.LOCK WASHER	2	
8	08322 - 21036	.WASHER	2	
9	34125 - 16A00	.SCREW	3	
10	34111M35700	.CASE, meter	1	
11	34170 - 35700	.SOCKET, meter	1	
12	09471 - 06052	.BULB (6V,1.7W)	2	
13	09471 - 06062	.BULB (6V,1.7W)	1	
14	09471 - 06053	.BULB (6V,3W)	3	
15	34171M35700	.SOCKET, gear indicator	1	
16	09471 - 06059	.BULB (7V,1.1W)	5	
17	34193 - 35700	.PLATE, gear Indicator	1	
18	34183 - 35700	.SCREW	2	
19	03111 - 04126	.SCREW	1	
20	03251 - 04208	.SCREW	3	
21	34910M35400	CABLE ASSY, speedometer	1	

Refer to FIG 16B(d-7) for model N

4

FIG.16B

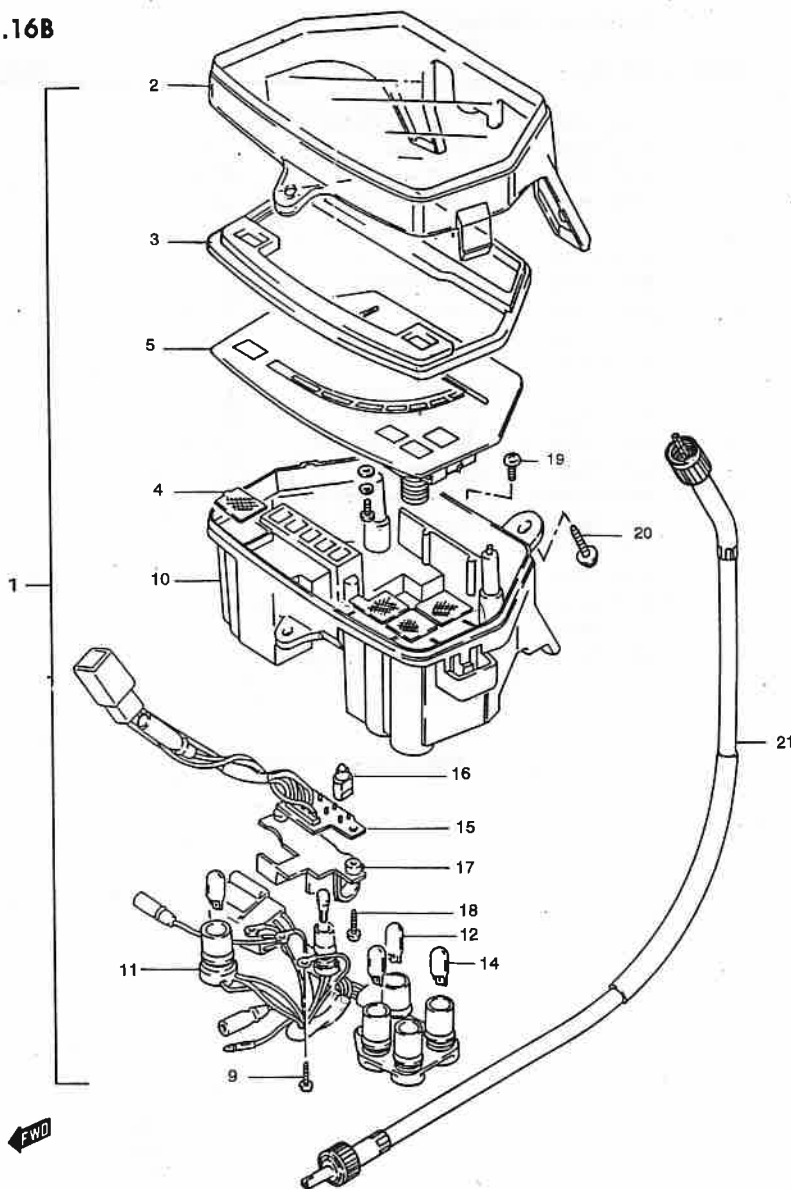


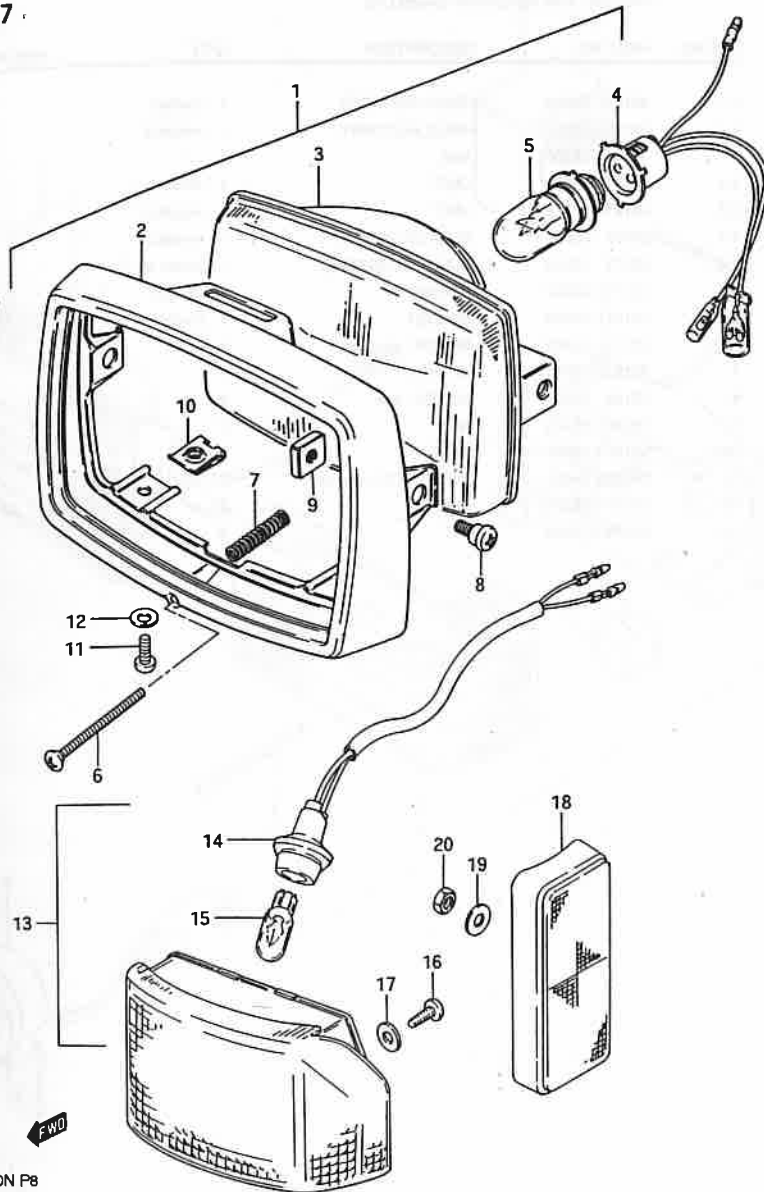
FIG.16B (D-7) SPEEDOMETER (model N)

REF.NO.	PART-NO.	DESCRIPTION	Q'TY	REMARKS
1	34100M10C30	SPEEDOMETER ASSY	1	
2	34112M35700	.HOOD, meter	1	
3	34113M35780	.PLATE, window	1	
4	36300M35820	.LENS SET, pilot	1	
5	34120M09C70	SPEEDOMETER (Kilo)	1	
6	02112 - 03106	.SCREW	2	
7	08321 - 21036	.LOCK WASHER	2	
8	08322 - 21036	.WASHER	2	
9	34125 - 16A00	.SCREW	3	
10	34111M35700	.CASE, meter	1	
11	34170M35700	.SOCKET, meter	1	
12	09471 - 06052	..BULB (6V,1.7W)	2	
13	09471 - 06062	..BULB (6V,1.7W)	1	
14	09471 - 06053	..BULB (6V,3W)	3	
15	34171M35700	.SOCKET, gear indicator	1	
16	09471 - 06059	..BULB (7V,1.1W)	5	
17	34193M35700	.PLATE, gear indicator	1	
18	34183 - 35700	.SCREW	2	
19	03111 - 04126	.SCREW	1	
20	03251 - 04208	.SCREW	3	
21	34910M35400	CABLE ASSY, speedometer	1	

RC80N P8

FIG.17

FIG.17 (D-8) HEADLAMP (model G/J/K)



REF.NO.	PART NO.	DESCRIPTION	Q'TY	REMARKS
1	35100 - 35482	HEADLAMP ASSY	1	
2	35111 - 09401	.RIM	1	
3	35121 - 35402	.UNIT	1	
4	35171 - 35300	.SOCKET	1	
5	09471 - 06015	.BULB (6V,25/25W)	1	
6	35151 - 35402	.SCREW, adjusting	1	
7	35154 - 49430	.SPRING	1	
8	35136 - 35400	.SCREW	2	
9	35135 - 35400	.NUT	2	
10	35135 - 35440	.NUT	2	
11	03212 - 04169	SCREW	2	
12	08322 - 21047	WASHER	2	
13	36120M35420	LAMP ASSY, front positon	1	
14	36118 - 35400	.SOCKET	1	
15	09471 - 06061	.BULB (6V, 5W)	1	
16	03212 - 04169	SCREW	2	
17	08322 - 21046	WASHER	2	
18	35950M35400	REFLEX REFLECTOR, front side	2	
19	08322 - 21056	WASHER	2	
20	08310 - 11056	NUT	2	

Refer to FIG.17A(D-9) for model L/N

RC80N P8

4

FIG.17A

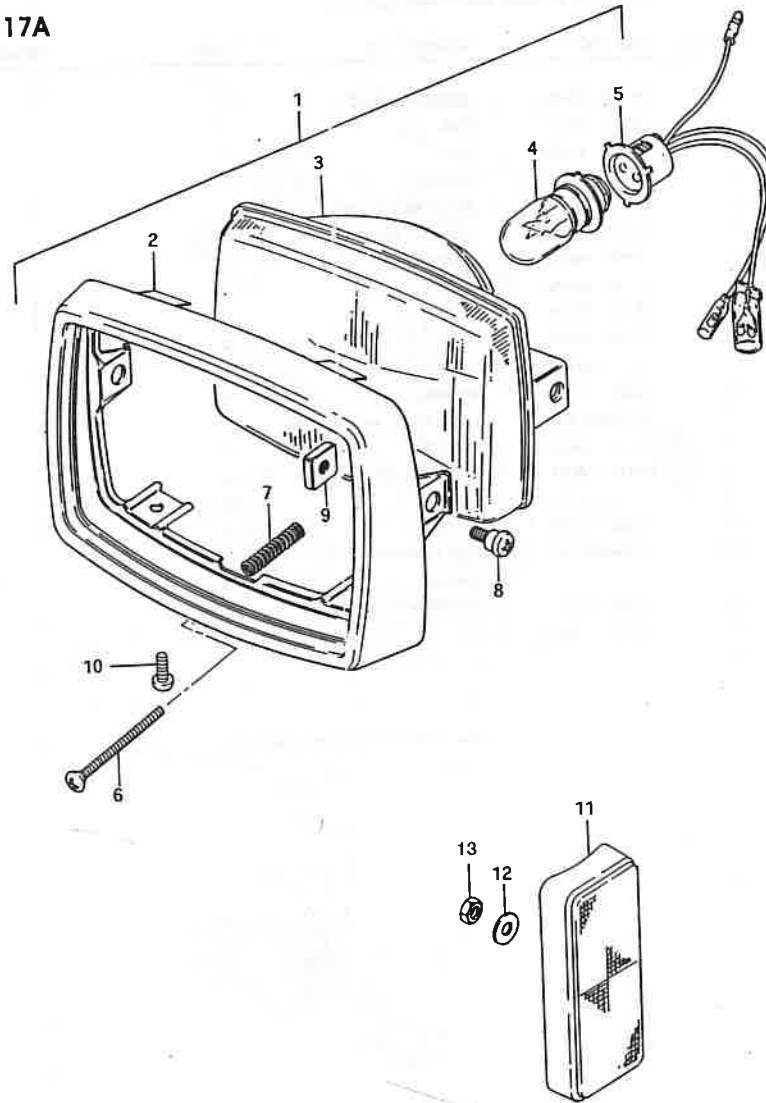
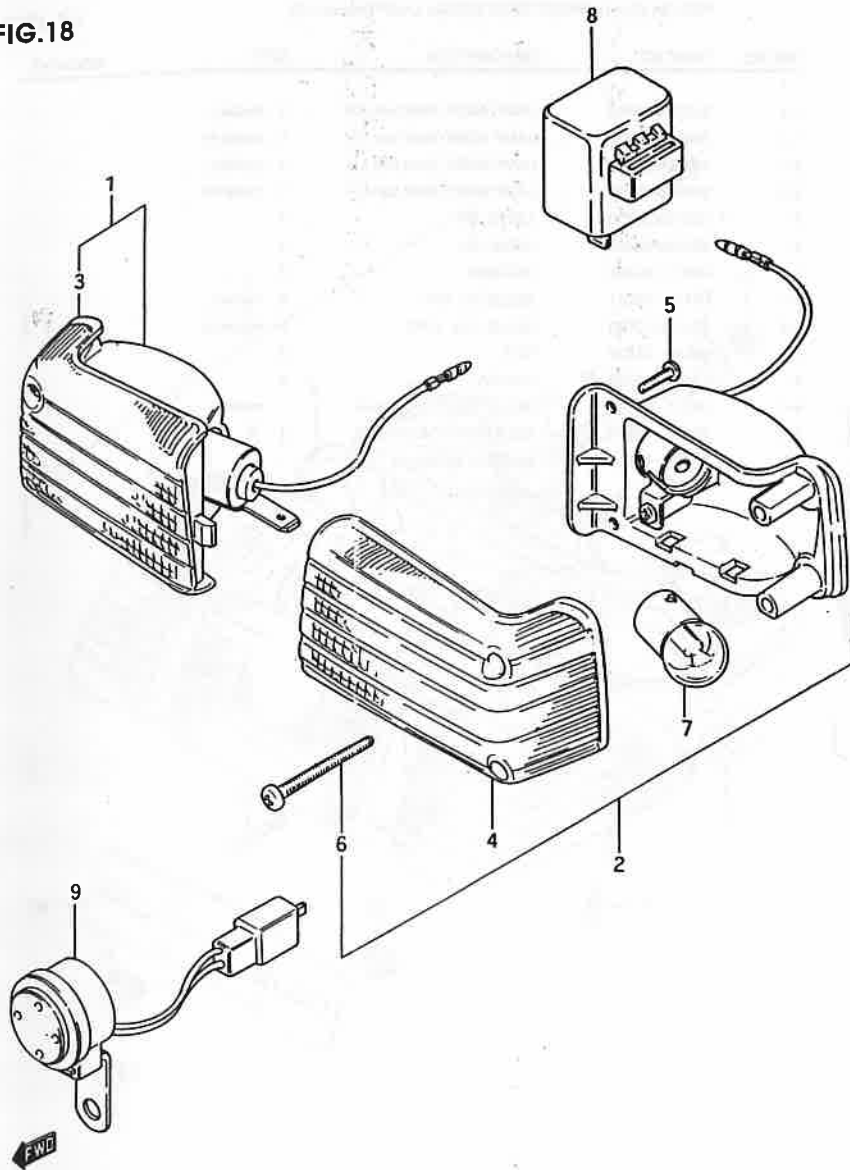


FIG.17A (D-9) HEADLAMP (model L/N)

REF.NO.	PART NO.	DESCRIPTION	QTY	REMARKS
1-1	35100 - 35590	HEADLAMP ASSY	1	model L
1-2	35100 - 10C00	HEADLAMP ASSY	1	model N
2	35111 - 35560	.RIM	1	
3-1	35121 - 35590	.UNIT	1	model L
3-2	35121 - 10C00	.UNIT	1	model N
4-1	09471 - 06015	.BULB (6V,25/25W)	1	model L
4-2	09471 - 12013	.BULB (12V,25/25W)	1	model N
5-1	35171 - 35300	.SOCKET	1	model L,
5-2	35171 - 43020	.SOCKET	1	model N
6	35151 - 35402	.SCREW, adjuster	1	
7	35154 - 13610	.SPRING	1	
8	35136 - 35400	.SCREW, side	2	
9	35135 - 35400	.NUT	2	
10	02112 - 05068	SCREW	2	
11	35950 - 35400	REFLECTOR, front side	2	
12	08322 - 21056	WASHER	2	
13	08310 - 11056	NUT	2	

FIG.18

FIG.18 (D-10) FRONT TURN SIGNAL LAMP (model G/J/K)



REF.NO.	PART NO.	DESCRIPTION	Q'TY	REMARKS
1	35601M35410 - 999	LAMP, front turn signal, RH	1	
2	35602M35410 - 999	LAMP, front turn signal, LH	1	
3	35612M35400	.LENS, RH	1	
4	35632M35400	.LENS, LH	1	
5	35625 - 47610	.SCREW	4	
6	03212 - 04359	.SCREW	4	
7	09471 - 06021	.BULB (6V,8W)	2	
8	38610 - 09400	RELAY, turn signal	1	
9	38790 - 02910	BUZZER, turn signal	1	

Refer to FIG.18A (D-11) for model L/N

4

FIG.18A

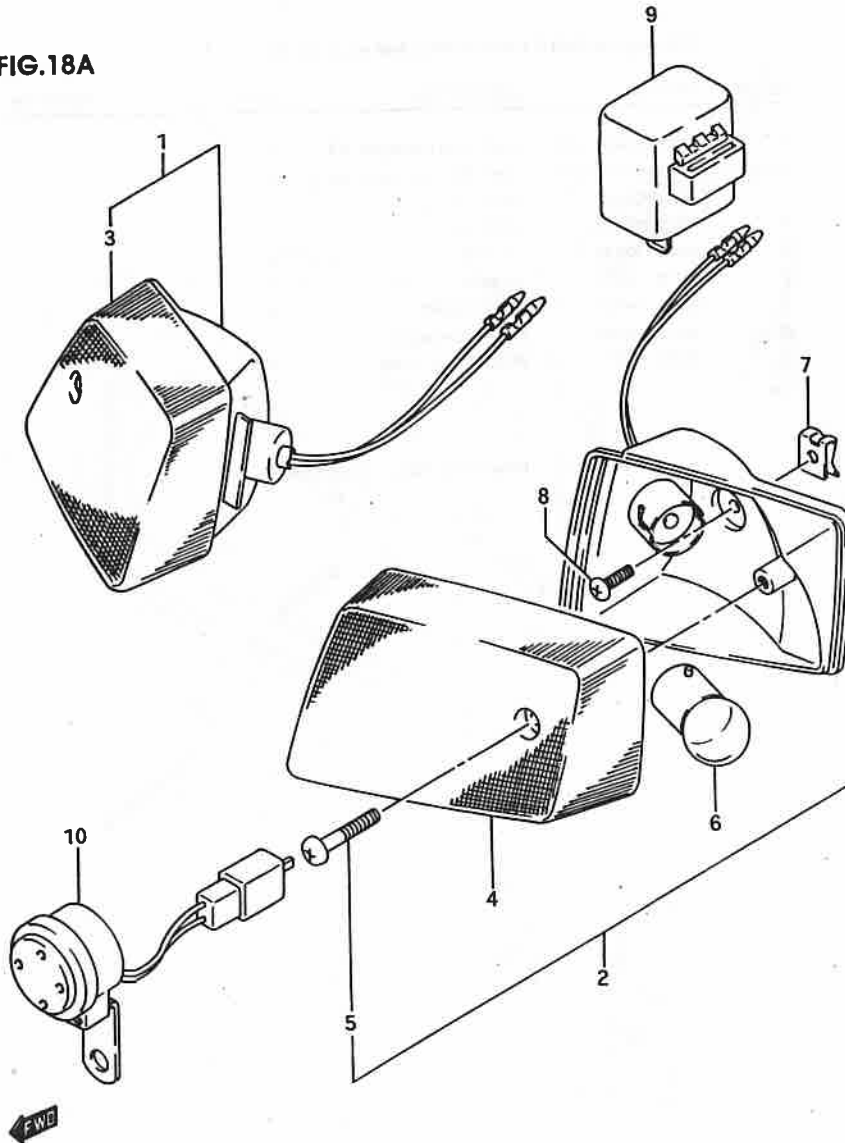
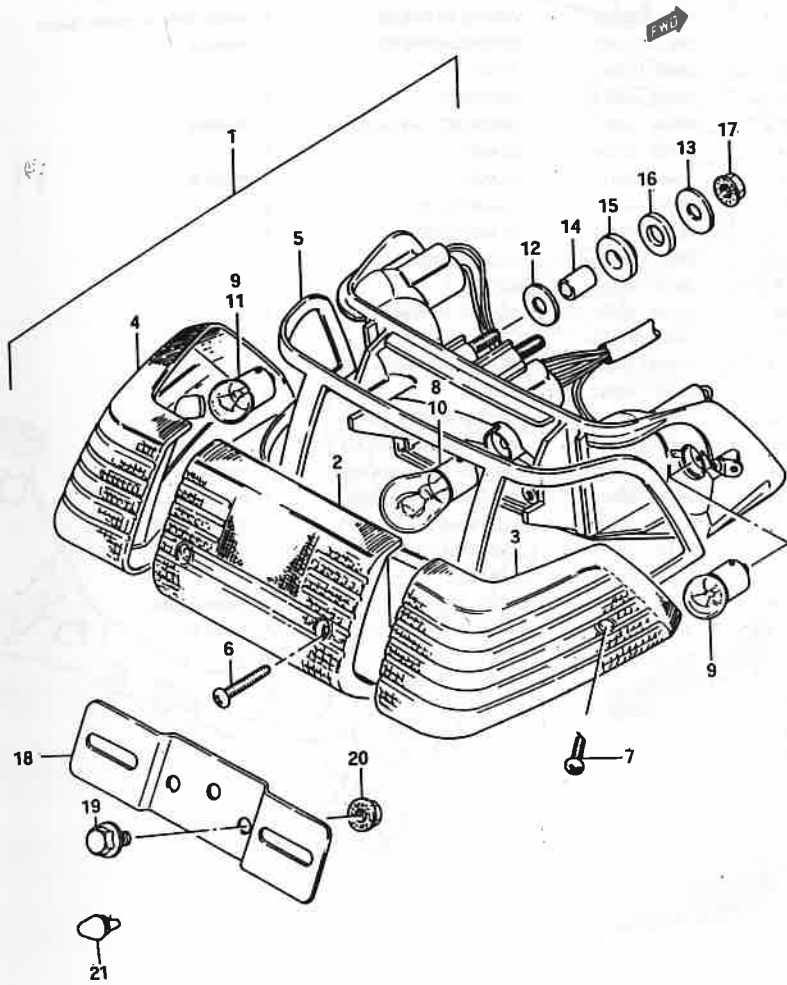


FIG.18A (D-11) FRONT TURN SIGNAL LAMP (model L/N)

REF.NO.	PART NO.	DESCRIPTION	Q'TY	REMARKS
1-1	35601M35450	LAMP ASSY, front turn RH	1	model L
1-2	35601M35460	LAMP ASSY, front turn RH	1	model N
2-1	35602M35450	LAMP ASSY, front turn LH	1	model L
2-2	35602M35460	LAMP ASSY, front turn LH	1	model N
3	35612M35450	.LENS, RH	1	
4	35632M35450	.LENS, LH	1	
5	03511 - 04206	.SCREW	2	
6-1	09471 - 06021	.BULB (6V, 8W)	2	model L
6-2	09471 - 12003	.BULB (12V, 10W)	2	model N
7	09148 - 05019	NUT	2	
8	03241 - 05126	SCREW	2	
9-1	38610 - 09400	RELAY ASSY, turnsignal	1	model L
9-2	38610 - 09410	RELAY ASSY, turnsignal	1	
10	38790 - 02910	BUZZER, turnsignal	1	

FIG.19

FIG.19 (D-12) REAR COMBINATION LAMP



REF.NO.	PART NO.	DESCRIPTION	Q'TY	REMARKS
1-1	35710M35411 - 999	LAMP ASSY, rear combination	1	model L
1-2	35710M35420	LAMP ASSY, rear combination	1	model N
2	35712M35420	.LENS, tail & stop	1	
3	35652M35420	.LENS, turn signal, RH	1	
4	35672M35420	.LENS, turn signal LH	1	
5	35713 - 35401	.GASKET	1	
6	03211 - 04258	.SCREW	2	
7	02112 - 04128	.SCREW	2	
8	09471 - 12008	.BULB (12V, 18/3W)	1	model N
9	09471 - 12003	.BULB (12V, 10W)	2	model N
10	09471 - 06008	BULB (6V, 10/3W)	1	model L
11	09471 - 06021	BULB (6V, 8W)	2	model L
12	09160 - 06057	WASHER (6.5x1.8x1.6)	3	
13	09160 - 06060	WASHER (6.5x2.0x1.2)	3	
14	09180 - 06084	SPACER	3	
15	09320 - 09003	CUSHION	3	
16	09320 - 09004	CUSHION	3	
17	08316 - 26066	NUT	3	
18	35927M35400	BRACKET, licence plate	1	
19	01514 - 06125	BOLT	2	
20	08316 - 26066	NUT	2	
21	09321 - 06023	CUSHION	1	

4

FIG. 20

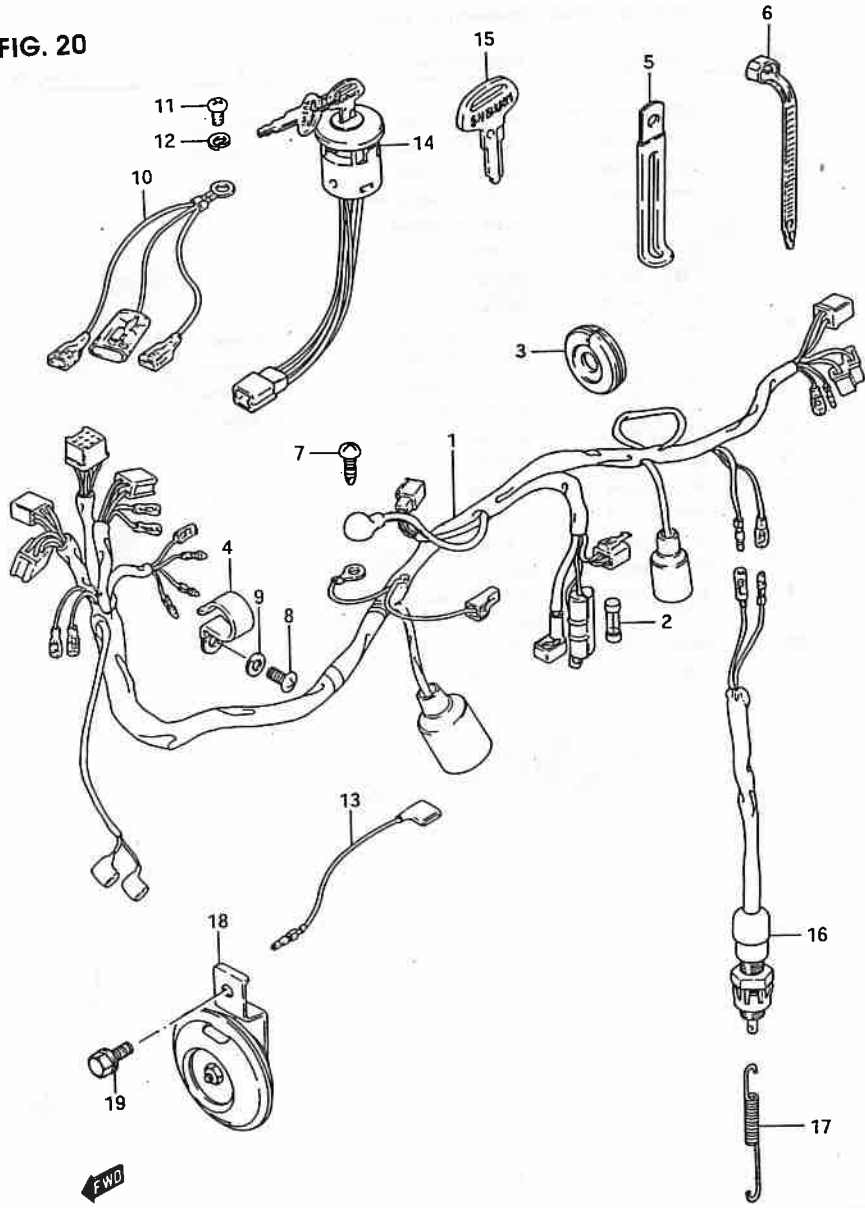


FIG.20 (D-13) WIRING HARNESS

REF.NO.	PART NO.	DESCRIPTION	Q'TY	REMARKS
1-1	36610M35430	WIRING HARNESS	1	model G
1-2	36610M35431	WIRING HARNESS	1	model J, for 33410-35410
1-3	36610M35432	WIRING HARNESS	1	model J/K/L, for 33410-35450
1-4	36610M35580	WIRING HARNESS	1	model N
2	09481 - 10001	.FUSE	1	
3-1	09308 - 10012	GROMMET	2	
3-2	09308 - 10017	GROMMET, rear fender	1	model N
4	09403 - 20301	CLAMP	1	
5	09404 - 06415	CLAMP	1	model G
6-1	09407 - 14403	CLAMP (L:125)	2	
6-2	09407 - 18402	CLAMP (L:165)	1	
6-3	09407 - 25401	CLAMP (L:235)	2	
7	09129 - 06004	SCREW	1	
8	02112 - 05125	SCREW, head pipe	1	
9	08321 - 21055	LOCK WASHER	1	
10	36853 - 35400	LEAD WIRE, handle earth	1	
11	02112 - 05087	SCREW	1	
12	08321 - 21057	LOCK WASHER	1	
13	36851 - 35410	WIRE, handle switch, LH	1	
14-1	37110 - 02471	SWITCH ASSY, ignition	1	model G
14-2	37110 - 35470	SWITCH ASSY, ignition	1	model J/K/L/N
15	37145 - 02400	KEY, blank	1	model G OPT
16	37740 - 48071	SWITCH ASSY, stop lamp	1	
17	09443 - 06032	SPRING	1	
18-1	38500 - 35401	HORN ASSY	1	model G/J/K/L
18-2	38500 - 35411	HORN ASSY	1	model N
19	01134 - 06126	BOLT	1	

4

RC80N P8

FIG.21

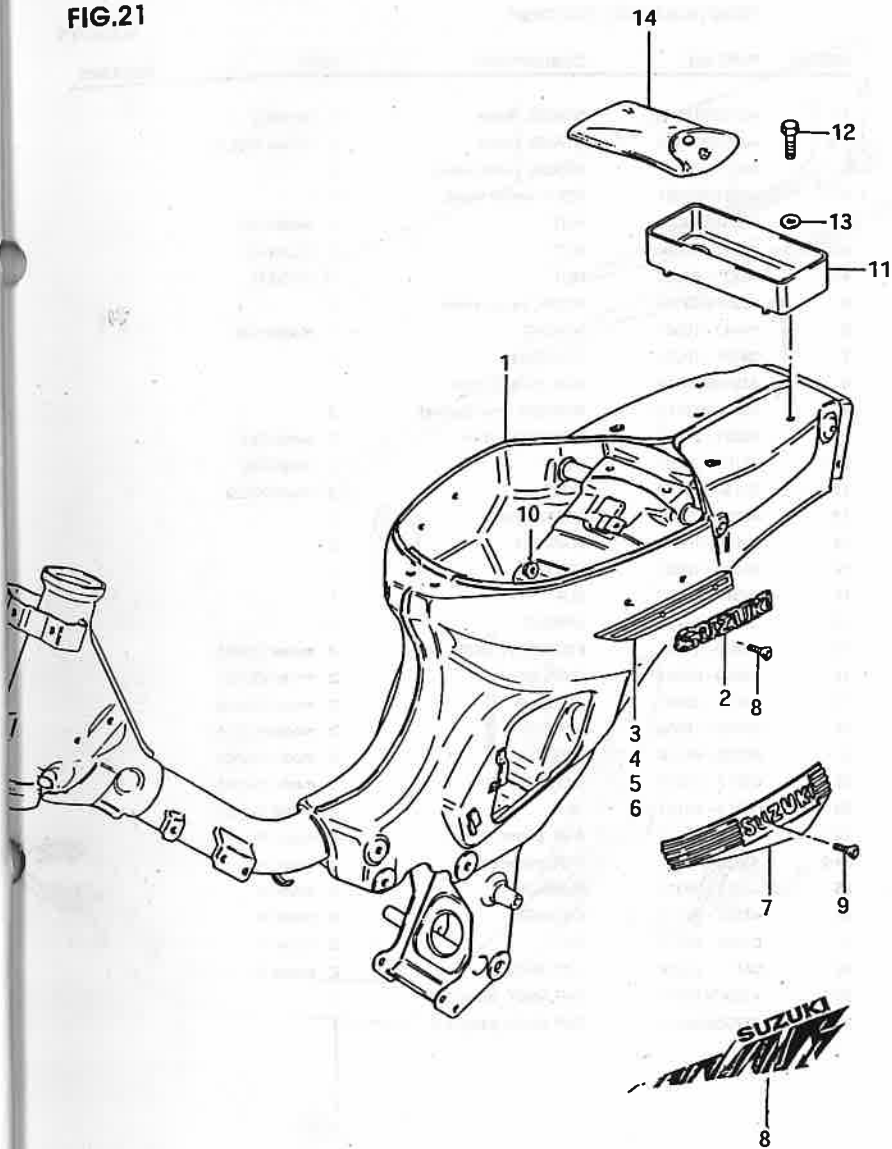
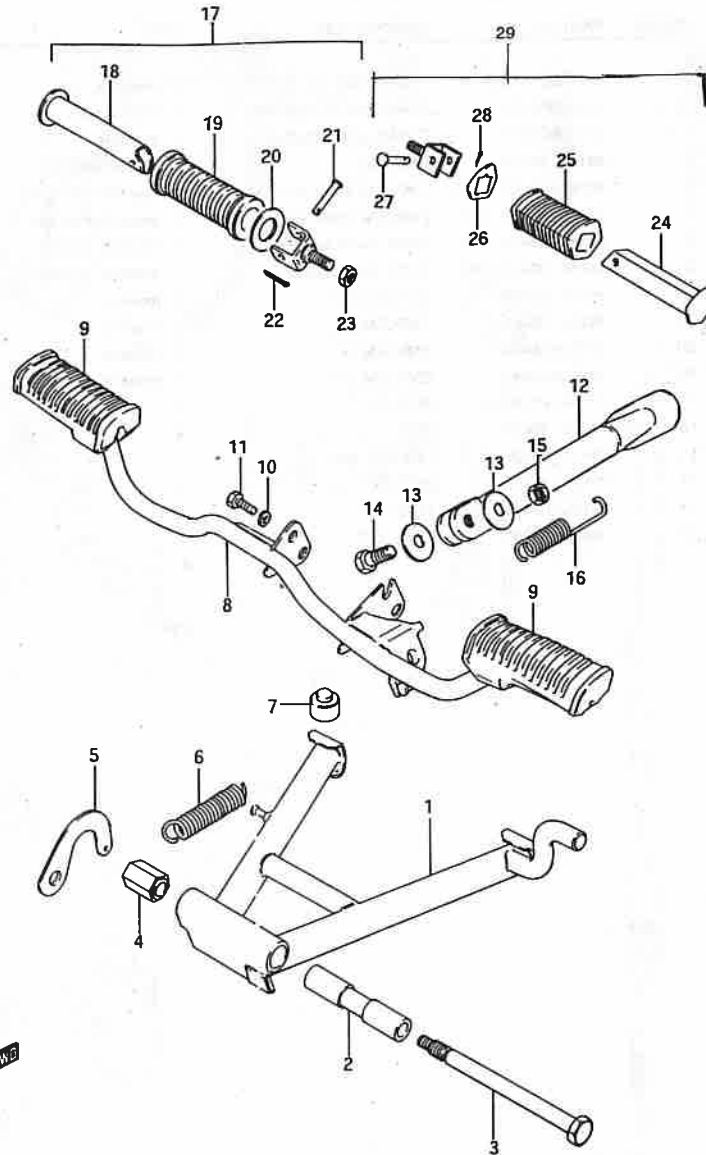


FIG.21 (E-2) FRAME

REF.NO.	PART NO.	DESCRIPTION	Q'TY	REMARKS
1-1	41100M35400	FRAME (ALL COLOURS)	1	model G
1-2	41100M35401	FRAME (ALL COLOURS)	1	model J/K/L
1-3	41100M35470	FRAME (ALL COLOURS)	1	model N
2	68183 - 35410	EMBLEM	1	model G/J/K
3	68185 - 35400 - 94G	EMBLEM, frame side RH	1	model G/J for 00J
4	68186 - 35400 - 94G	EMBLEM, frame side RH	1	model G/J for 00J
5	68185 - 35410 - 94G	TAPE, frame side RH	1	model K, for 00J
6	68186 - 35410 - 94G	TAPE, frame side LH	1	model K, for 00J
7-1	68183 - 35400	EMBLEM, RH	1	model L
7-2	68184 - 35400	EMBLEM, LH	1	model L
8-1	68183M35440	EMBLEM, RH	1	model N
8-2	68184M35440	EMBLEM, LH	1	model N
9	02132 - 03105	SCREW	4	
10	08316 - 26038	NUT	4	
11	47431M35400	HOLDER, tool	1	
12	02142 - 06207	SCREW	2	
13	09169 - 06028	WASHER	2	
14	09800 - 00283	TOOL SET	1	

4

FIG.22



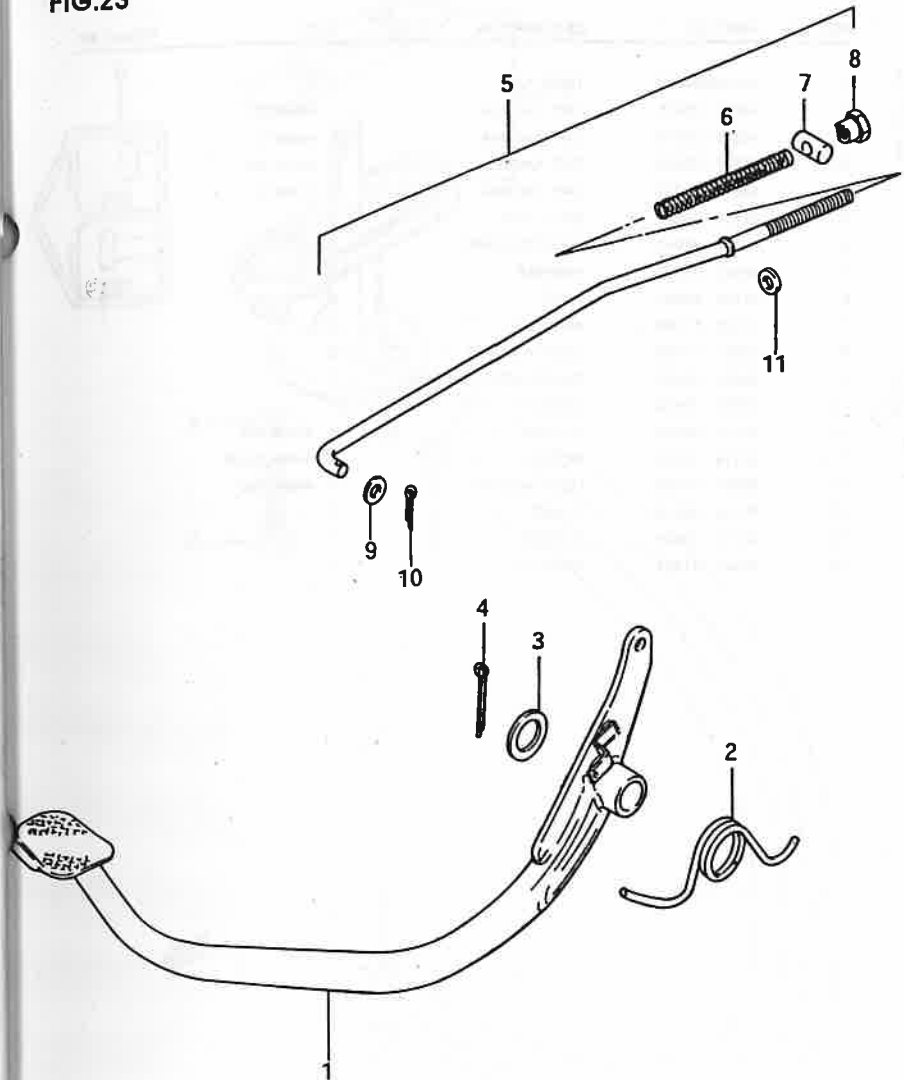
4

FIG.22 (E-3) STAND - FOOTREST

REF.NO.	PART NO.	DESCRIPTION	Q'TY	REMARKS
1-1	42100M190A1	STAND, center	1	model G
1-2	42100M35400	STAND, center	1	model J/K/L/N
2	42211 - 03001	SPACE, centre stand	1	
3	42221M03001	BOLT, center stand	1	
4-1	42231 - 09000	NUT	1	model G/J
4-2	42231 - 090A0	NUT	1	model K/L
4-3	42231 - 09000	NUT	1	model N
5	42251M03003	HOOK, center stand	1	
6	09443 - 16007	SPRING	1	modell G/J
7	09321 - 10001	CUSHION	1	
8	43510M35400	BAR, front footrest	1	
9	43551M39110	RUBBER, front footrest	2	
10	08321 - 21088	LOCK WASHER	2	model G/J
11-1	01107 - 08167	BOLT	2	model G/J
11-2	01137 - 08168	BOLT	2	model K/L/N
12	42310M35410	STAND, prop	1	
13	09160 - 10047	WASHER	2	
14	09100 - 10007	BOLT	1	
15	08310 - 22107	NUT	1	
16	09443 - 14022	SPRING	1	
17	43600 - 03001	FOOTREST ASSY, pillion	2	model G/J/K/L
18	43610 - 03001	.BAR, pillion	2	model G/J/K/L
19	43612 - 03001	.RUBBER	2	model G/J/K/L
20	09160 - 19006	.WASHER	2	model G/J/K/L
21	09200 - 06010	.PIN	2	model G/J/K/L
22	04111 - 20208	.COTTER PIN	2	model G/J/K/L
23	08310 - 22107	.NUT	2	model G/J/K/L
24-1	43610 - 39310	BAR, pillion RH	1	model N
24-2	43620 - 39310	BAR, pillion LH	1	model N
25	43612 - 39310	RUBBER	2	model N
26	43631 - 39310	WASHER	2	model N
27	09200 - 06010	PIN	2	model N
28	04111 - 20208	COTTER PIN	2	model N
29-1	43600M39310	BAR ASSY, pillion RH	1	
29-2	43700M39310	BAR ASSY, pillion LH	1	

FIG.23

FIG.23 (E-4) REAR BRAKE

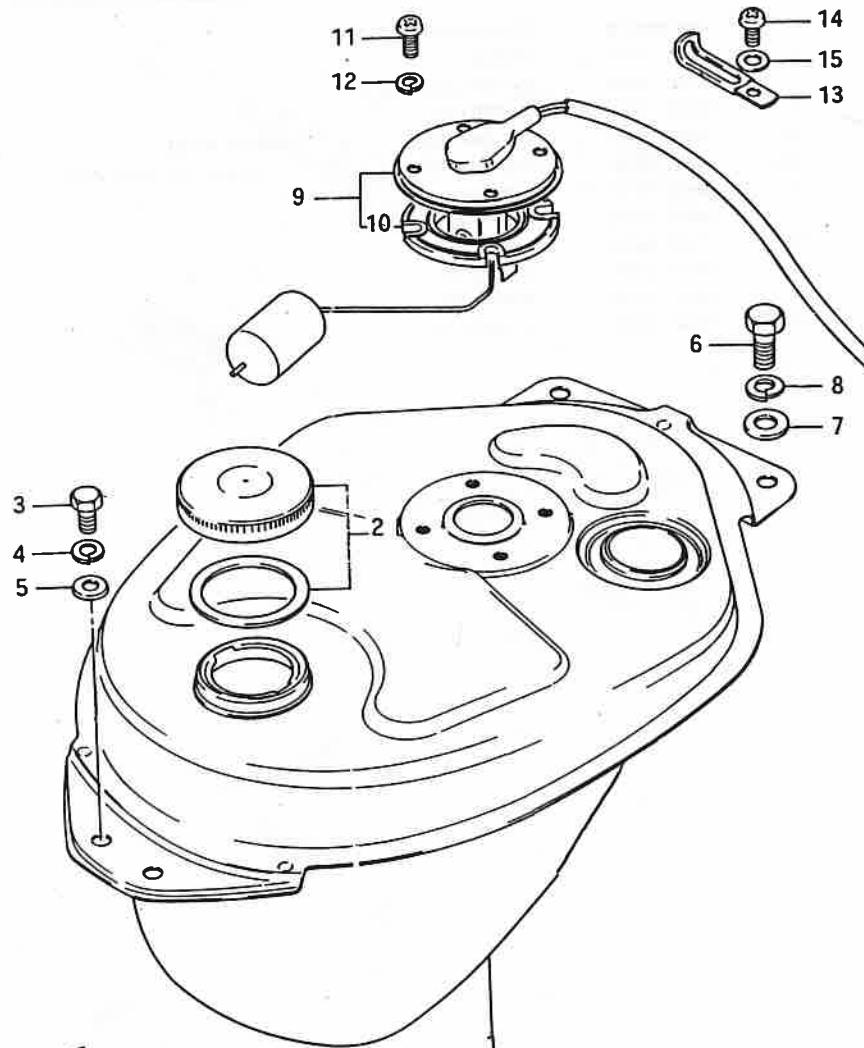


REF.NO.	PART NO.	DESCRIPTION	Q'TY	REMARKS
1	43110M35410	PEDAL, brake	1	
2	09448 - 31016	SPRING	1	
3	09180 - 15002	WASHER (15.5x26x2.3)	1	
4	04111 - 30308	COTTER PIN	1	
5-1	43300 - 35400	ROD ASSY, brake	1	model G/J/K/L
5-2	43300 - 35420	ROD ASSY, brake	1	model N ← 43300-31C00
6	09440 - 09004	.SPRING	1	
7	09209 - 11002	.PIN	1	
8	09150 - 06009	.NUT	1	
9	08322 - 21057	.WASHER	1	
10	04111 - 20208	.COTTER PIN	1	
11	08322 - 21067	.WASHER, rear	1	model N

4

FIG.24

4



FWO

RC80N P8

FIG.24 (E-5) FUEL TANK

REF.NO.	PART NO.	DESCRIPTION	Q'TY	REMARKS
1	44110M35400	TANK, fuel	1	
2-1	44210 - 35011	CAP, fuel tank	1	model G
2-2	44210 - 35012	CAP, fuel tank	1	model J
2-3	44210 - 35013	CAP, fuel tank	1	model K/L
2-4	44210 - 35014	CAP, fuel tank	1	model N
3	01107 - 08257	BOLT, front	2	
4	08321 - 21067	LOCK WASHER	2	
5	08322 - 21067	WASHER	2	
6	01107 - 08207	BOLT	2	
7	08322 - 11088	WASHER	2	
8	08321 - 21088	LOCK WASHER	2	
9	34810 - 35400	GAUGE ASSY, fuel level	1	
10	34825 - 02100	.GASKET	1	
11-1	02112 - 05126	SCREW	4	model G/J
11-2	02112 - 35126	SCREW	4	model K/L/N
12	08321 - 21056	LOCK WASHER	4	model G/J
13	09404 - 06416	CLAMP	1	
14	02112 - 06108	SCREW	1	
15	08321 - 21067	WASHER	1	

FIG.25

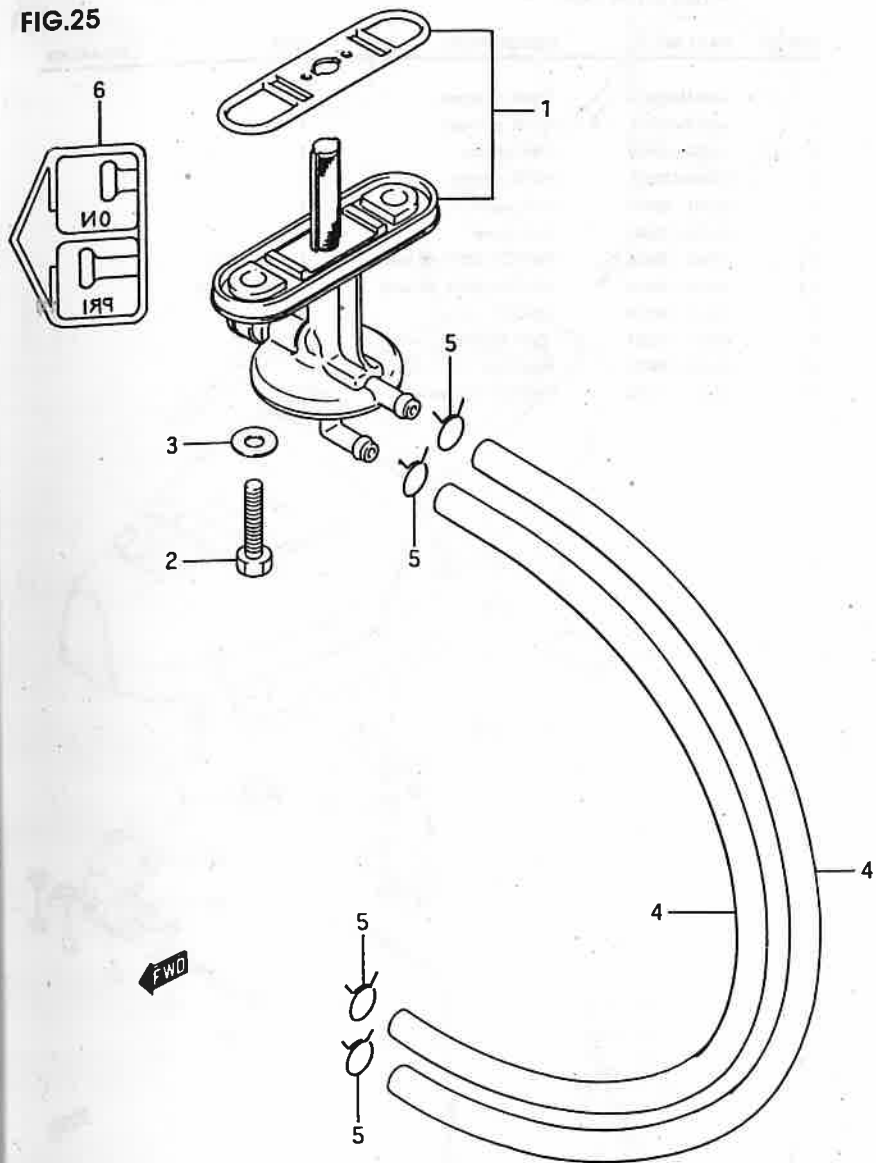


FIG.25 (E-8) FUEL COCK

REF.NO.	PART NO.	DESCRIPTION	Q'TY	REMARKS
1-1	44300 - 35400	COCK ASSY, fuel	1	model G/J
1-2	44300 - 35401	COCK ASSY, fuel	1	model K/L/N
2	09128 - 06006	BOLT	2	
3-1	09168 - 06010	GASKET	2	model G/J
3-2	09168 - 06026	GASKET	2	model K/L/N
4	09352 - 50823 - 00A	HOSE, fuel (L:1000 → 580)	2	
5	09401 - 08402	CLIP, fuel hose	4	
6	66622 - 35400	LABEL, fuel cock	1	

4

FIG.26

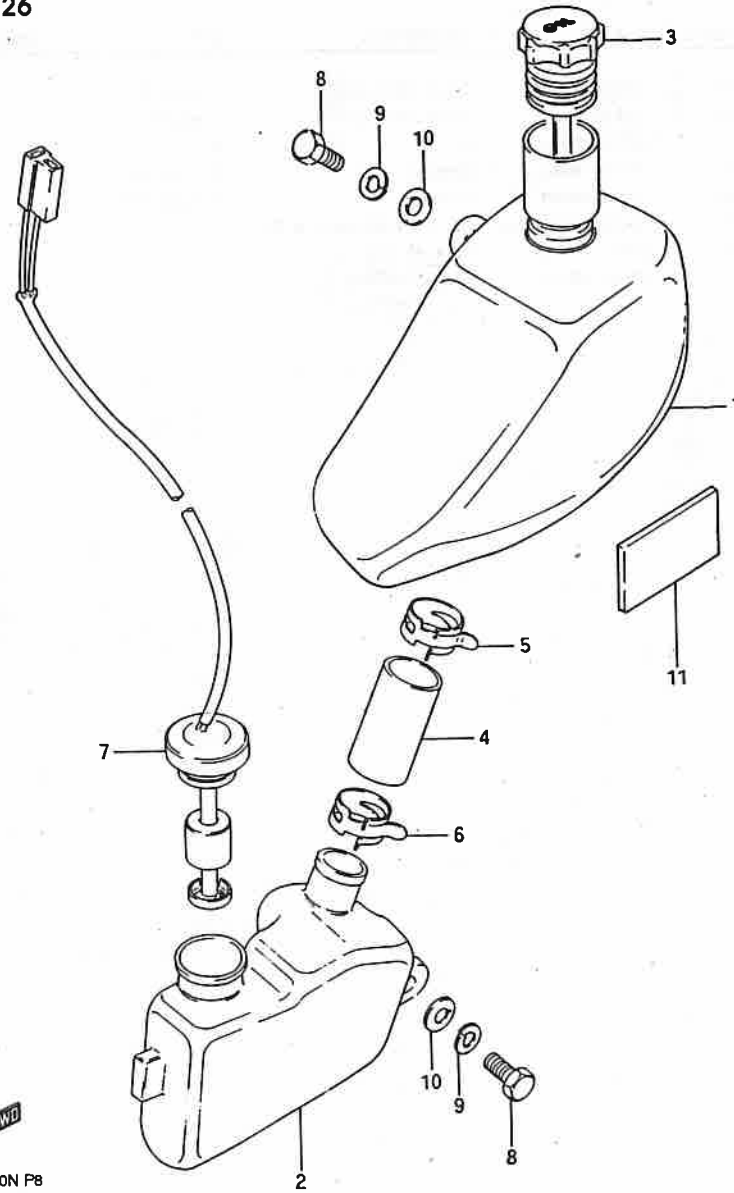


FIG.26 (E-7) OIL TANK

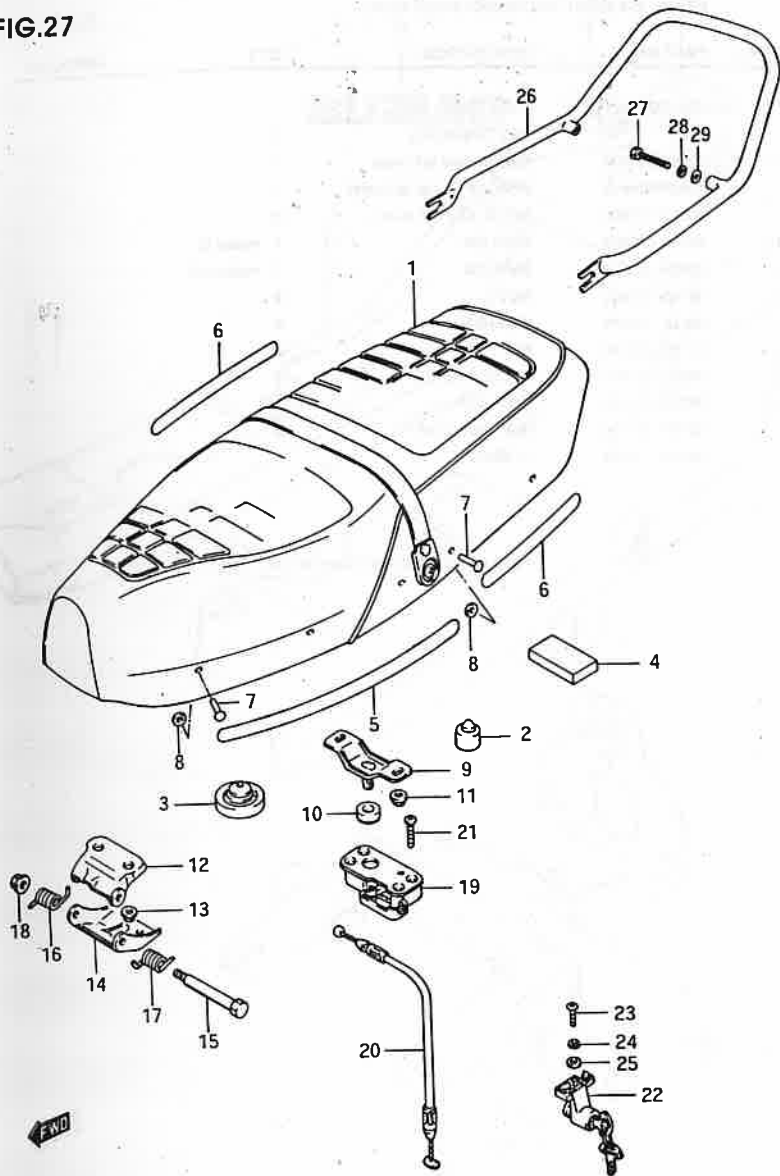
REF.NO.	PART.NO.	DESCRIPTION	Q'TY	REMARKS
1	44611M35400	TANK, oil upper	1	
2	44612M35401	TANK, oil lower	1	
3	44650 - 02300	CAP, oil tank	1	
4	09343M20001	HOSE, oil joint	1	
5	09401 - 22401	CLIP, upper	1	
6	09402 - 25502	CLIP, lower	1	
7-1	37880 - 35400	SWITCH ASSY, oil level	1	model G/J
7-2	37880 - 35410	SWITCH ASSY, oil level	1	model K/L/N
8	09128 - 06005	SCREW	3	
9	08321 - 21067	LOCK WASHER	3	
10	09160 - 06031	WASHER	3	
11	33651 - 37000	PROTECTOR, oil tank	1	

RC80N P8

FIG.27

FIG.27 (E-8) SEAT

REF.NO.	PART NO.	DESCRIPTION	Q'TY	REMARKS
1-1	45100M35445 - 48H	SEAT ASSY (Black)	1	model G/J/K/L
1-2	45100M35500 - 48H	SEAT ASSY (Black)	1	model N
2	45149M35400	.CUSHION	2	
3	09321M14005	.CUSHION	2	
4	94982 - 29400	.CUSHION, tool stopper	1	
5-1	45191M35400	.MOLD, seat front RH	1	
5-2	45192M35400	.MOLD, seat front LH	1	
6-1	45193M35400	.MOLD, seat rear RH	1	
6-2	45194M35400	.MOLD, seat rear LH	1	
7	09220 - 03002	.RIVET	10	
8	09148 - 03004	.NUT	10	
9	45210M35400	.STRIKER, seat lock	1	
10	45213 - 31300	.CUSHION, striker	1	
11	08316 - 26066	.NUT	2	
12	45210M02400	BRACKET, seat front	1	
13	08361 - 35066	NUT	2	
14	45285M35401	BRACKET, seat support, front	1	
15	09111 - 06001	BOLT	1	
16	45247 - 35400	SPRING, RH	1	
17	45248 - 35400	SPRING, LH	1	
18	08316 - 26066	NUT	2	
19	45220 - 35400	LOCK, seat striker	1	
20	45280 - 35400	CABLE, seat lock	1	
21	02122 - 06306	SCREW	4	
22-1	95700 - 13600 - KEY	LOCK, seat	1	model G
22-2	95700 - 35410 - KEY	LOCK, seat	1	model J/K
22-3	95700 - 35830	LOCK SET, seat	1	model L/N
23	02112 - 05106	SCREW	2	
24	08321 - 21056	LOCK WASHER	2	
25	08322 - 21056	WASHER	2	
26-1	46210M35420	HANDLE, pillion rider	1	model G/J/K
26-2	46210M35460	HANDLE, pillion rider	1	model L/N
27	01107 - 08506	BOLT	2	
28	08321 - 21086	LOCK WASHER	2	
29	08322 - 21086	WASHER	2	

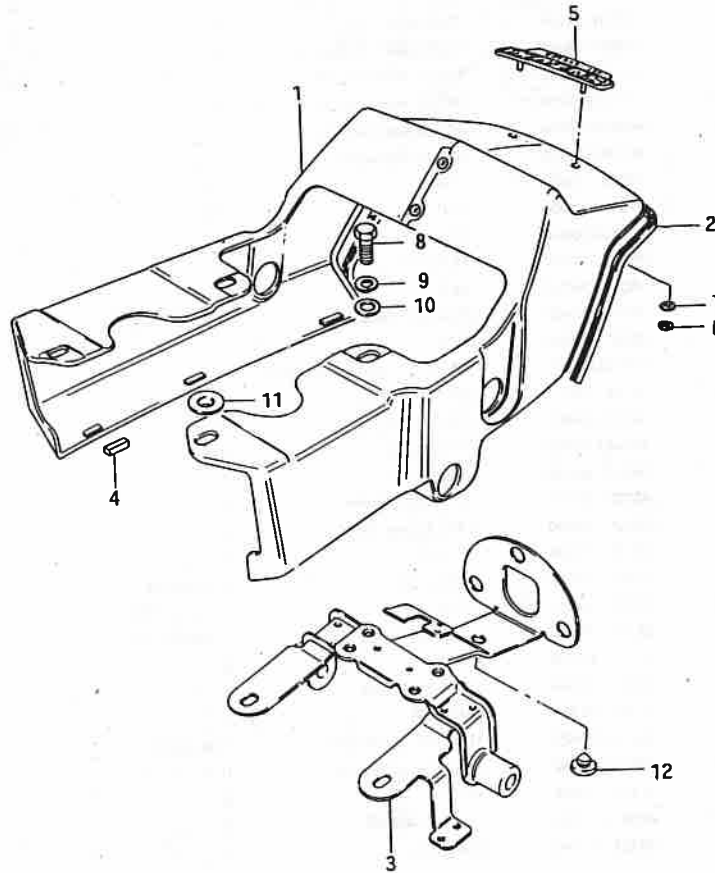


RC80N P8

FIG.28

FIG.28 (E-9) SEAT TAIL COVER (model G/J/K)

4



REF.NO.	PART NO.	DESCRIPTION	Q'TY	REMARKS
1	45510M35401	TAIL COVER, seat (ALL COLOURS)	1	
2	45516M35400	BRIND, seat tail cover	1	
3	45530M35400	BRACKET, seat tail cover	1	
4	45513 - 35400	MOLD, seat tail cover	6	
5-1	68234 - 35400	EMBLEM	1	model G
5-2	68234 - 35401	EMBLEM	1	model J/K
6	09148 - 03003	NUT	2	
7	09161 - 02001	WASHER	2	
8	01107 - 06166	BOLT	2	
9	08321 - 21066	LOCK WASHER	2	
10	08322 - 11066	WASHER	2	
11	09169 - 08036	WASHER, front	2	
12	09329 - 10001	CUSHION	1	

Refer to FIG.28A(E-10) for model L/N

FIG.28A

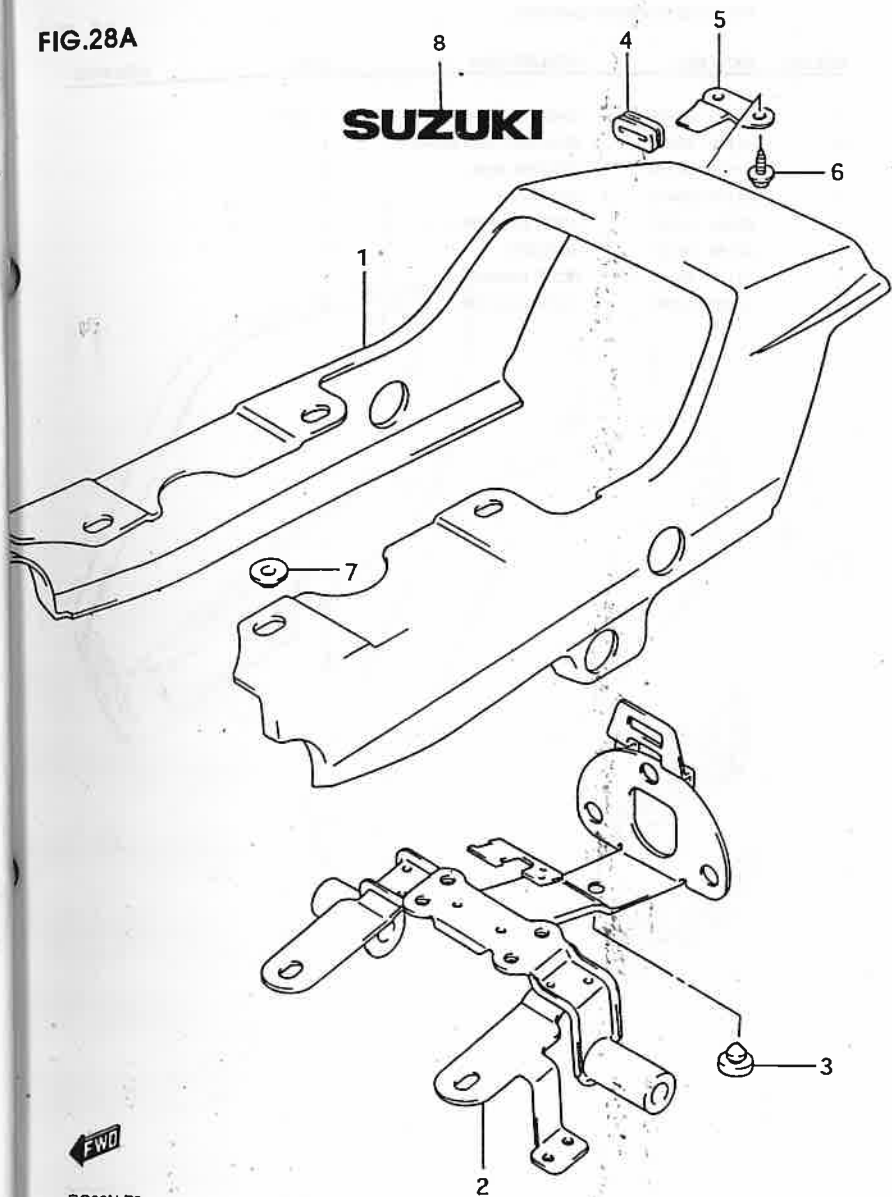


FIG.28A (E-10) SEAT TAIL COVER (model L/N)

REF.NO.	PART NO.	DESCRIPTION	Q'TY	REMARKS
1	45511M35430	COVER, seat tail (ALL COLOURS)	1	
2	45530M35430	BRACKET, tail cover	1	
3	45524M35410	PLATE, tail cover	1	
4	45528M35410	CUSHION	1	
5	09329 - 10001	CUSHION, bracket	1	
6	09169 - 09036	WASHER, front	2	
7	03551 - 04128	SCREW	2	
8	68234M35430	REFLECTIVE 'SUZUKI' LOGO	1	

4

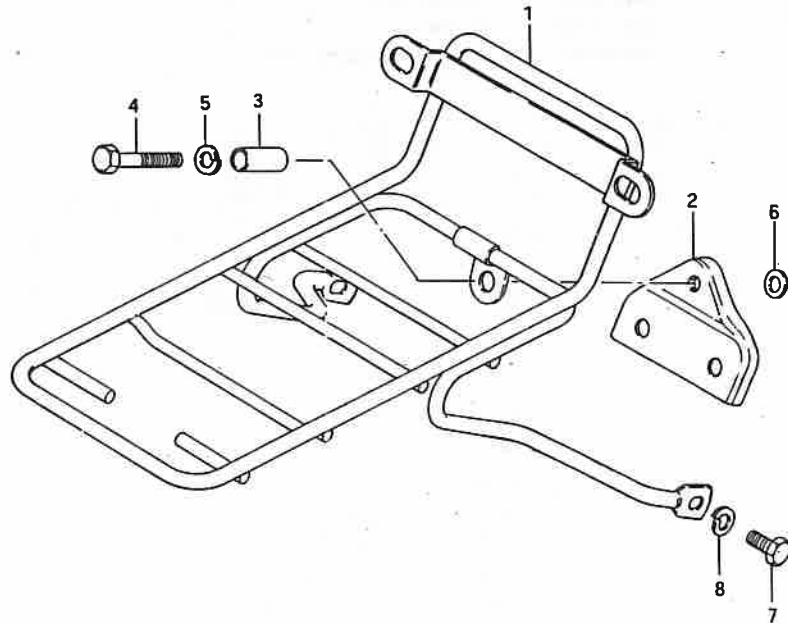


FC80N P8

FIG.29

FIG.29 (E-11) FRONT CARRIER

REF.NO.	PART NO.	DESCRIPTION	QTY	REMARKS
1	46410 - 35400	CARRIER, front	1	OPT
2	46440 - 35400	BRACKET, front carrier	1	
3	09180 - 06115	SPACER, front	1	
4	01107 - 06408	BOLT, front	1	
5	08321 - 21067	LOCK WASHER	1	
6	09160 - 06027	WASHER	1	
7	01107 - 06127	BOLT, bracket	2	
8	08321 - 21067	LOCK WASHER	2	



4

FIG.30

MARKS

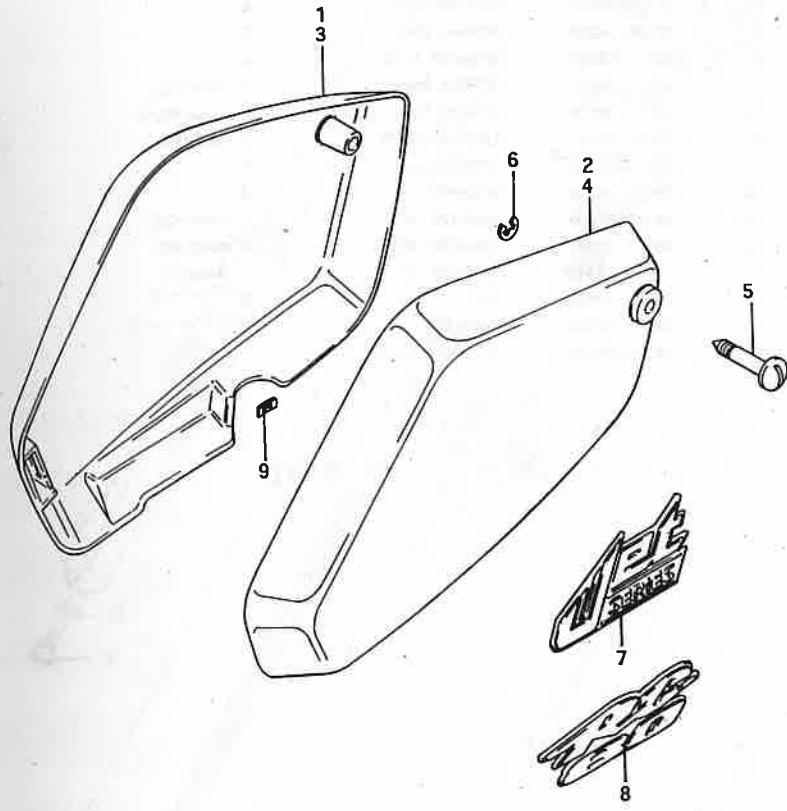


FIG.30 (E-12) FRAME COVER

REF.NO.	PART NO.	DESCRIPTION	Q'TY	REMARKS
1	47111M35420	COVER, frame RH	1	model G/J/K
2	47211M35420	COVER, frame LH	1	model G/J/K
3-1	47111M35400	COVER, frame RH	1	model L
3-2	47111M35430	COVER, frame RH	1	model N
4-1	47211M35400	COVER, frame LH	1	model L
4-2	47211M35430	COVER, frame LH	1	model N
5	47232 - 35401	KNOB, frame cover	2	
6	08332 - 11056	E RING	2	
7-1	68131M35431	EMBLEM, RH	1	model G/J/K/L
7-2	68141M35431	EMBLEM, LH	1	model G/J/K/L
8-1	68131M35440	EMBLEM, RH	1	model N
8-2	68141M35440	EMBLEM, LH	1	model N
9	09148 - 03003	NUT	4	

4

FIG.31

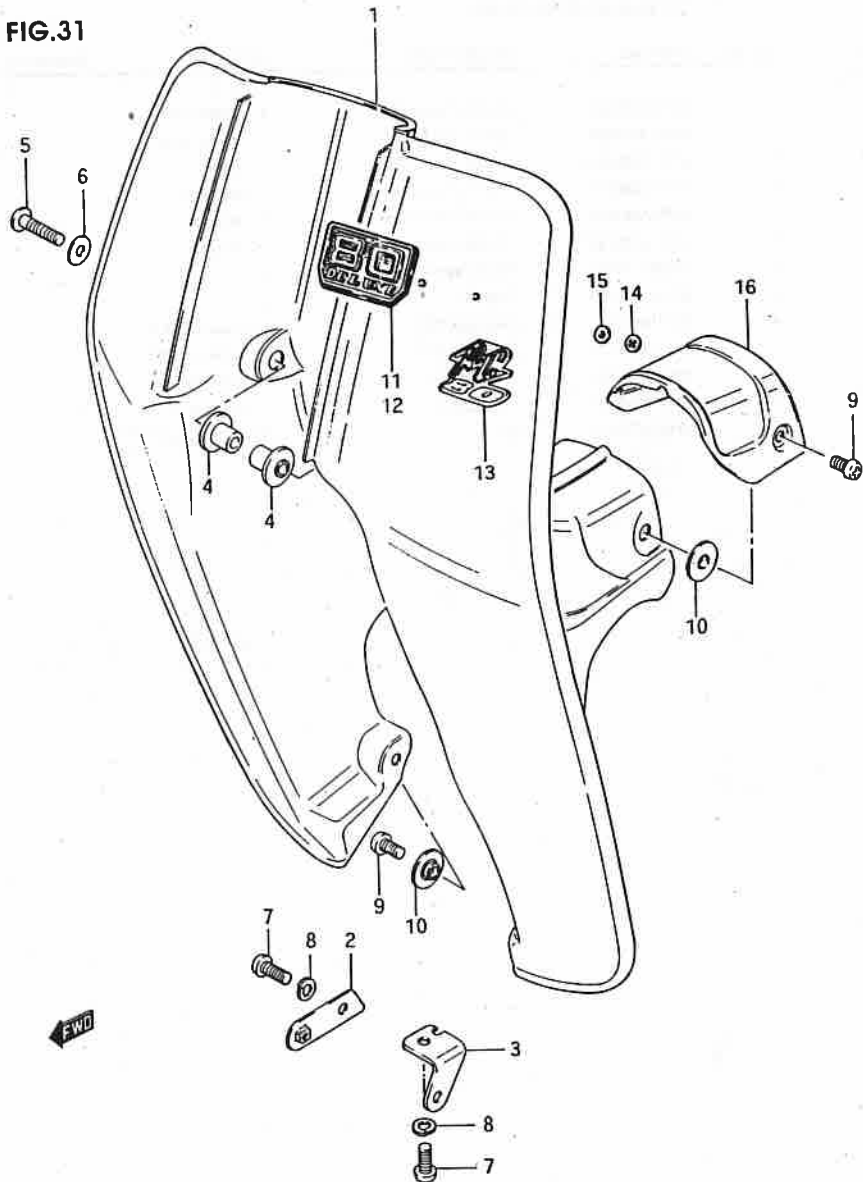
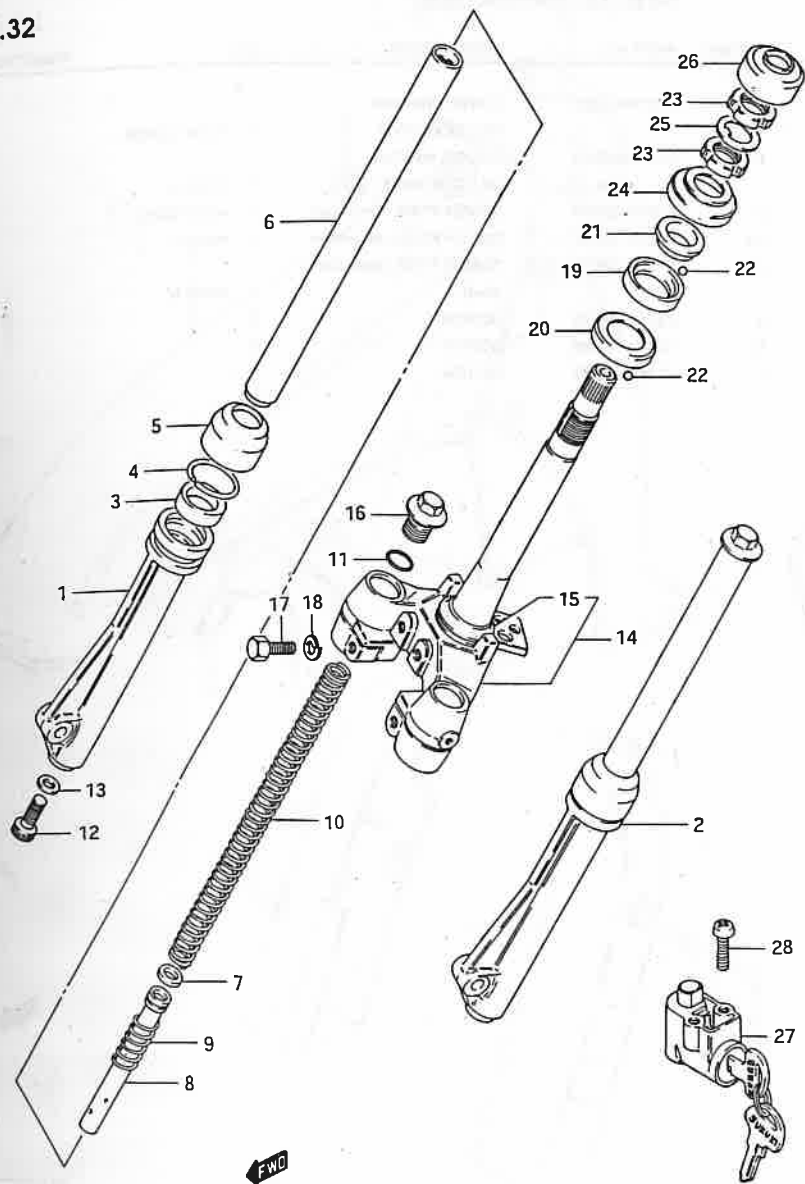


FIG.31 (E-13) LEG SHIELD

REF.NO.	PART NO.	DESCRIPTION	Q'TY	REMARKS
1	48111M35400 - 189	LEG SHIELD (White)	1	model G/J/K/L/N
2	48171M35400	BRACE, lower RH	1	
3	48181M35400	BRACE, lower LH	1	
4	48198M35400	SPACER, front	2	
5	09125 - 06027	SCREW, front	2	
6	09160 - 06027	WASHER, front	2	
7-1	02112 - 06167	SCREW, brace	2	model G/J
7-2	02112 - 36168	SCREW, brace	2	model K/L/N
8	08321 - 21067	LOCK WASHER	2	model G/J
9	09125 - 06050	SCREW, lower	2	
10	09169 - 06016	WASHER	2	
11	68161M35400	EMBLEM, "80"	1	model G/J
12	68161M35420	EMBLEM, "80"	1	model K/L
13	68161M35440	EMBLEM, "80"	1	model N
14	09148 - 03003	NUT	2	
15	09161 - 02001	WASHER	2	
16	48241M35410	MOLD, leg shield	1	

4

FIG.32



RC80N P8

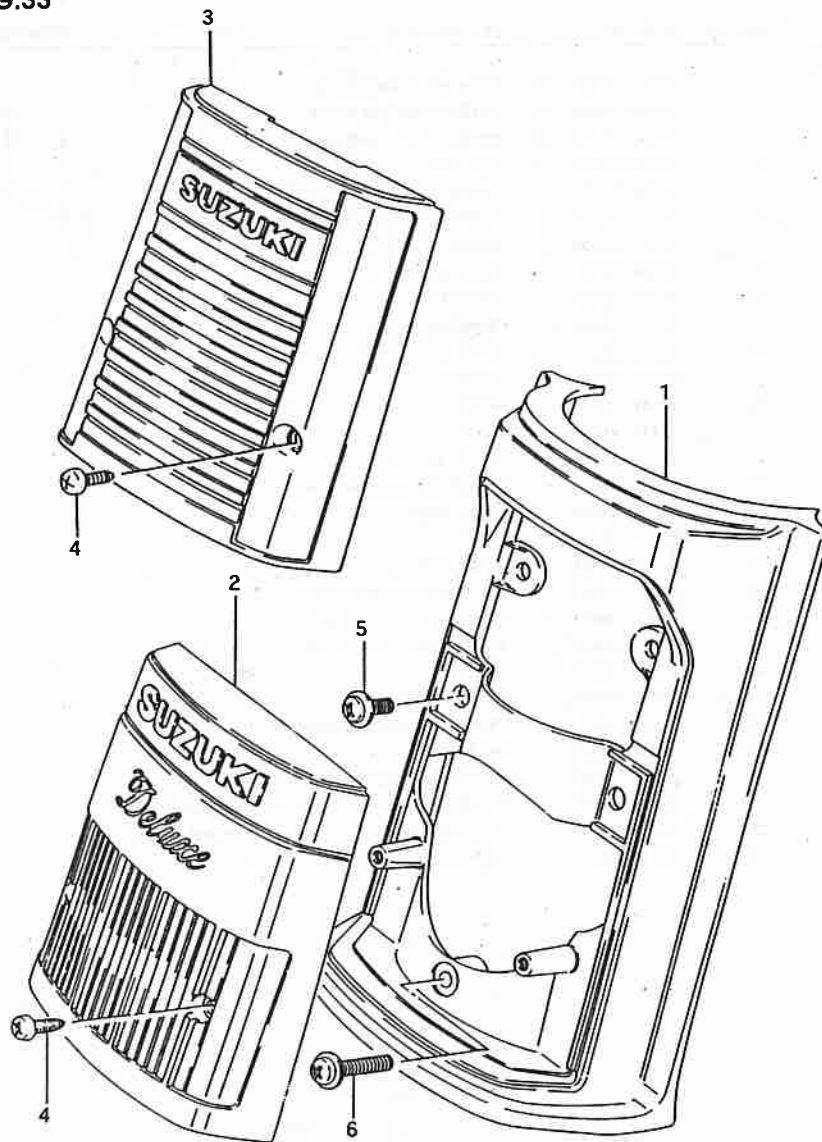


FIG.32 (F-2) FRONT FORK

REF.NO.	PART NO.	DESCRIPTION	Q'TY	REMARKS
	51100 - 35401 - 126	FORK ASSY, front (Silver)	1	
1	51130 - 35400 - 126	.OUTER TUBE, RH (Silver)	1	
2	51140 - 35400 - 126	.OUTER TUBE, LH (Silver)	1	
3	51153 - 02501	..OIL SEAL	2	
4	51156 - 43010	..RING	2	
5	51173 - 43210	.DUST SEAL	2	
6	51111 - 35400	.INNER TUBE	2	
7	51196 - 39140	.RING, piston	2	
8	51146 - 35420	.CYLINDER	2	
9	51177 - 35400	.SPRING	2	
10	51171 - 35400	.SPRING	2	
11	51181 - 23330	.O RING	2	
12	51147 - 16510	.BOLT	2	
13	51148 - 41310	.GASKET	2	
14	51410 - 35402	.STEM, steering	1	
15	51622 - 35400	..RACE, steering outer, lower	1	
16	51351 - 28B00	.BOLT, CAP	2	
17	01107 - 08307	.BOLT	2	
18	08321 - 31087	.LOCK WASHER	2	
19	51611 - 20002	RACE, steering inner, upper	1	
20	51612 - 35400	RACE, steering inner, lower	1	
21	51621 - 25000	RACE, steering outer, upper	1	
22	06111 - 06003	BALL	49	
23	51631 - 05000	NUT, steering stem	2	
24	51643 - 06001	DUST SEAL, steering, upper	1	
25	09166 - 24001	WASHER	1	
26	36618 - 02100	COVER, steering stem nut	1	
27-1	51910 - 25311	LOCK ASSY, steering	1	model G
27-2	51900 - 35820	LOCK SET, steering	1	model J/K/L/N
28	02112 - 35127	SCREW	2	

4

FIG.33



4

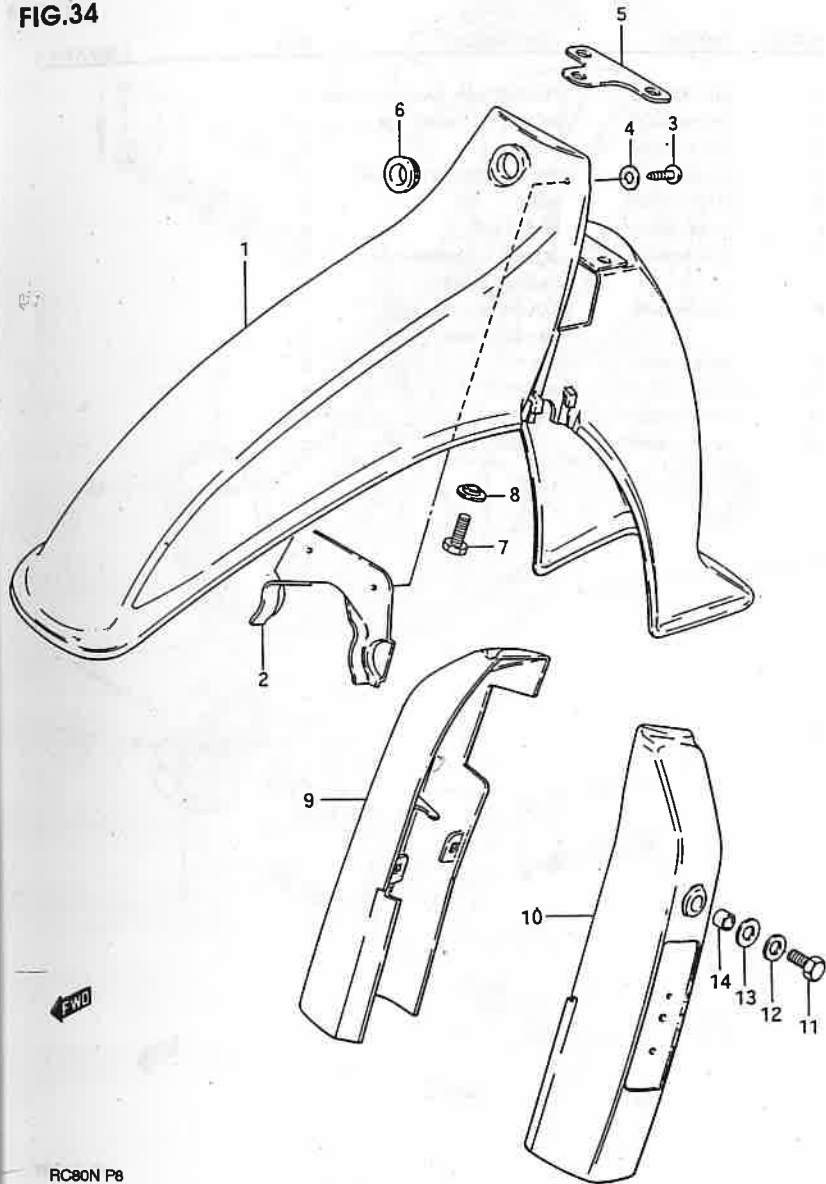
FIG.33 (F-3) FRONT FORK COVER

REF.NO.	PART NO.	DESCRIPTION	Q'ty	REMARKS
1-1	51871M35400	COVER, front fork (ALL COLOURS)	1	model G/J/K/M
1-2	51871M35410	COVER, front fork (ALL COLOURS)	1	model N
2	51875- 35400	COVER FORK, decoration	1	model G/J/K
3-1	51875 - 35420	COVER FORK, decoration	1	model L
3-2	51875 - 09C00 - 19A	COVER FORK, decoration (Red)	1	model N
4	03211 - 04165	SCREW	2	
5	02152 - 06108	SCREW	2	
6	02152 - 06207	SCREW	1	

RC80N P8

FIG.34

FIG.34 (F-4) FRONT FENDER (model G/J/K/L)



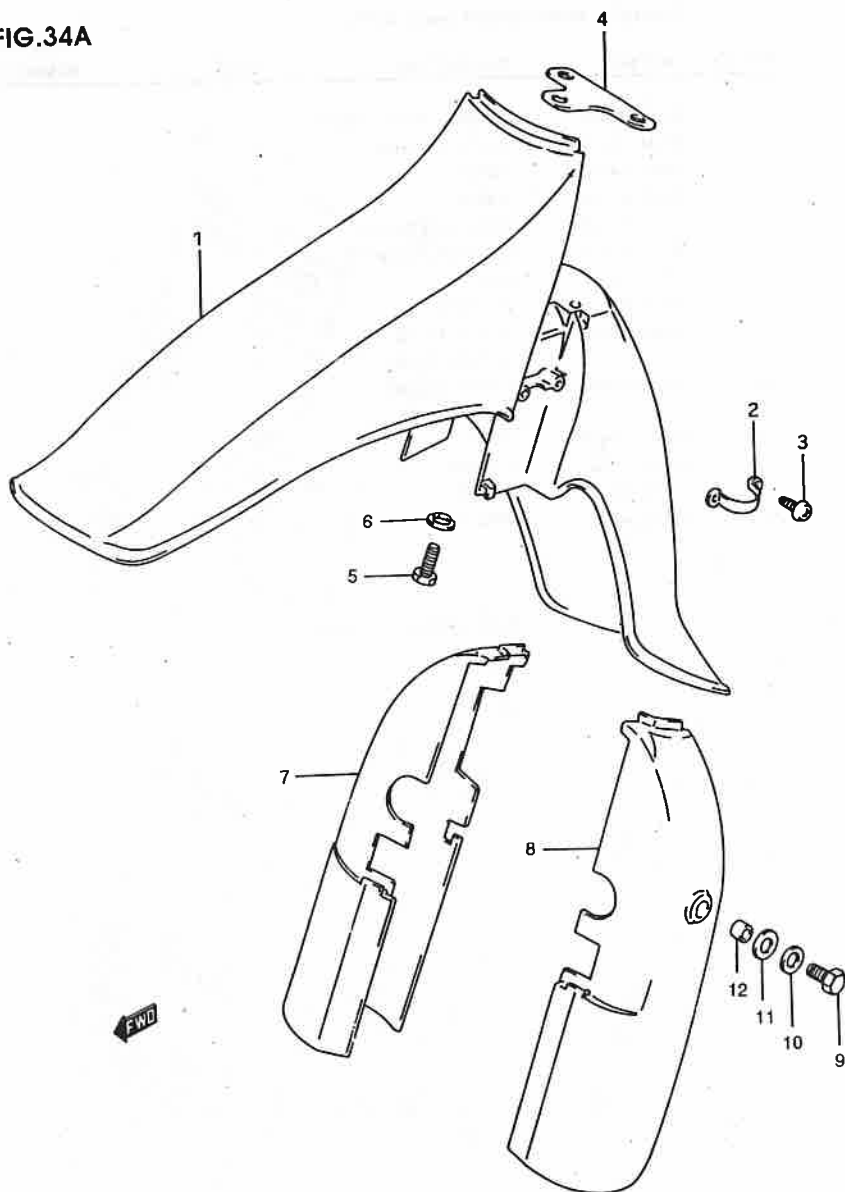
REF.NO.	PART NO.	DESCRIPTION	QTY	REMARKS
1	53111M35420	FENDER, front (ALL COLOURS)	1	
2	53134 - 35400	PLATE, front fender	1	
3	03211 - 04126	SCREW	2	
4	08322 - 21046	WASHER	2	
5	53124M35400	REINFORCEMENT	1	
6	09320 - 11010	CUSHION, front fender	1	
7	01107 - 06166	BOLT	3	
8	09169 - 06053	WASHER	3	
9	51881M35400	COVER, fork side RH (ALL COLOURS)	1	
10	51882M35400	COVER, fork side LH (ALL COLOURS)	1	
11	09100 - 06064	BOLT	2	
12	09160 - 06017	WASHER	2	
13	09160 - 06027	WASHER	2	
14	09180 - 06092	SPACER	2	

Refer to FIG.34A (F-5) for model N

4

FIG.34A

FIG.34A (F-5) FRONT FENDER (model N)



REF.NO.	PART NO.	DESCRIPTION	Q'TY	REMARKS
1	53111M35430	FENDER, front (ALLCOLOURS)	1	
2	53121M35430	BRACE, front fender side	2	
3	03511 - 05166	SCREW	4	
4	53124M35400	REINFORCEMENT, fender	1	
5	01107 - 06166	BOLT	3	
6	09169 - 06053	WASHER	3	
7	51881M35430	COVER, fork side RH (ALL COLOURS)	1	
8	51882M35430	COVER, fork side LH (ALL COLOURS)	1	
9	09100 - 06064	BOLT	2	
10	09160 - 06017	WASHER	2	
11	09160 - 06027	WASHER	2	
12	09180 - 06092	SPACER	2	

4

FWD

FIG.35

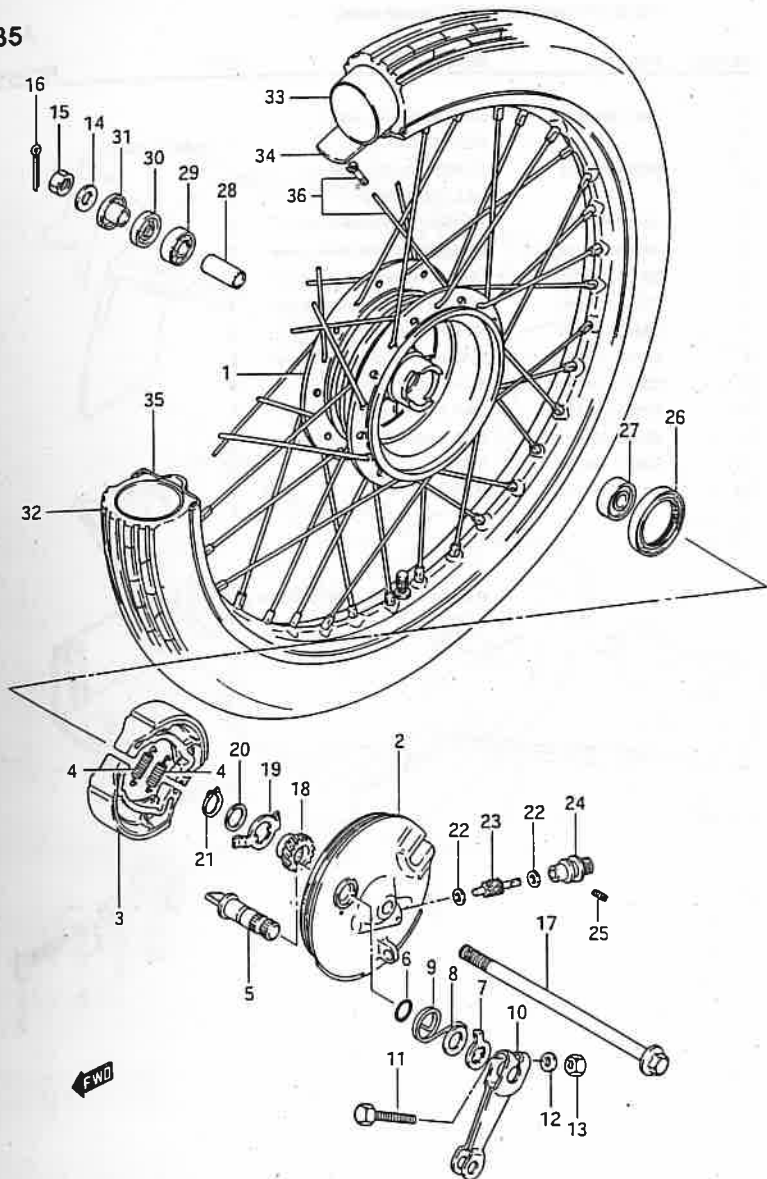


FIG.35 (F-6) FRONT WHEEL

REF.NO.	PART NO.	DESCRIPTION	Q'TY	REMARKS
1	54110M35400	HUB, front wheel	1	
2	54210M35400	PANEL, front hub	1	
3	54410 - 01010	SHOE, brake	2	
4	09443 - 07001	SPRING	2	
5	54441 - 35400	SHAFT, brake cam	1	
6	09280 - 14003	O RING	1	
7	54492 - 35400	PLATE, brake lining	1	
8	09160 - 14003	WASHER	1	
9	09448 - 30009	SPRING	1	
10	54451 - 35400	LEVER, brake cam	1	
11	09100 - 06078	BOLT	1	
12	08322 - 21067	WASHER	1	
13	08310 - 11067	NUT	1	
14	08322 - 11107	WASHER, axle	1	model G/J
15	08319 - 31107	NUT	1	
16	04111 - 20208	COTTER PIN	1	model G/J
17	54711 - 35411	AXLE, front	1	
18	54611 - 03601	GEAR, speedometer driven	1	
		NT: 23	1	
19	54661 - 03000	DRIVER, speedometer gear	1	
20	09160 - 16005	WASHER, 16x22x1	1	
21	08331 - 31156	CIRCLIP	1	
22	09160 - 05001	WASHER (5.1x9x0.4)	2	
23	54621 - 39202	GEAR, speedometer driven NT:9	1	
24	54632 - 01001	OUTER BUSHING, driven gear	1	
25	09134 - 03101	SCREW	1	
26	09285 - 43001	OIL SEAL	1	
27	08143 - 63007	BEARING,-LH	1	
28	09180 - 10091	SPACER, bearing	1	
29-1	08113 - 62007	BEARING, RH	1	model G/J
29-2	08123 - 62007	BEARING, RH	1	model K/L/N
30	09284 - 15001	OIL SEAL	1	
31	54740 - 26100	SPACER, axle RH	1	
32	55100M09401	TIRE, front (2.25-17-4PR)	1	FK/IRC
33	55200M01011	TUBE, inner	1	
34	55261M01010	PROTECTOR, inner tuber	1	
35	55311M01021	RIM, wheel (1.20x17)	1	
36	55320M01012	SPOKE ASSY, front	1	

4

FIG.36

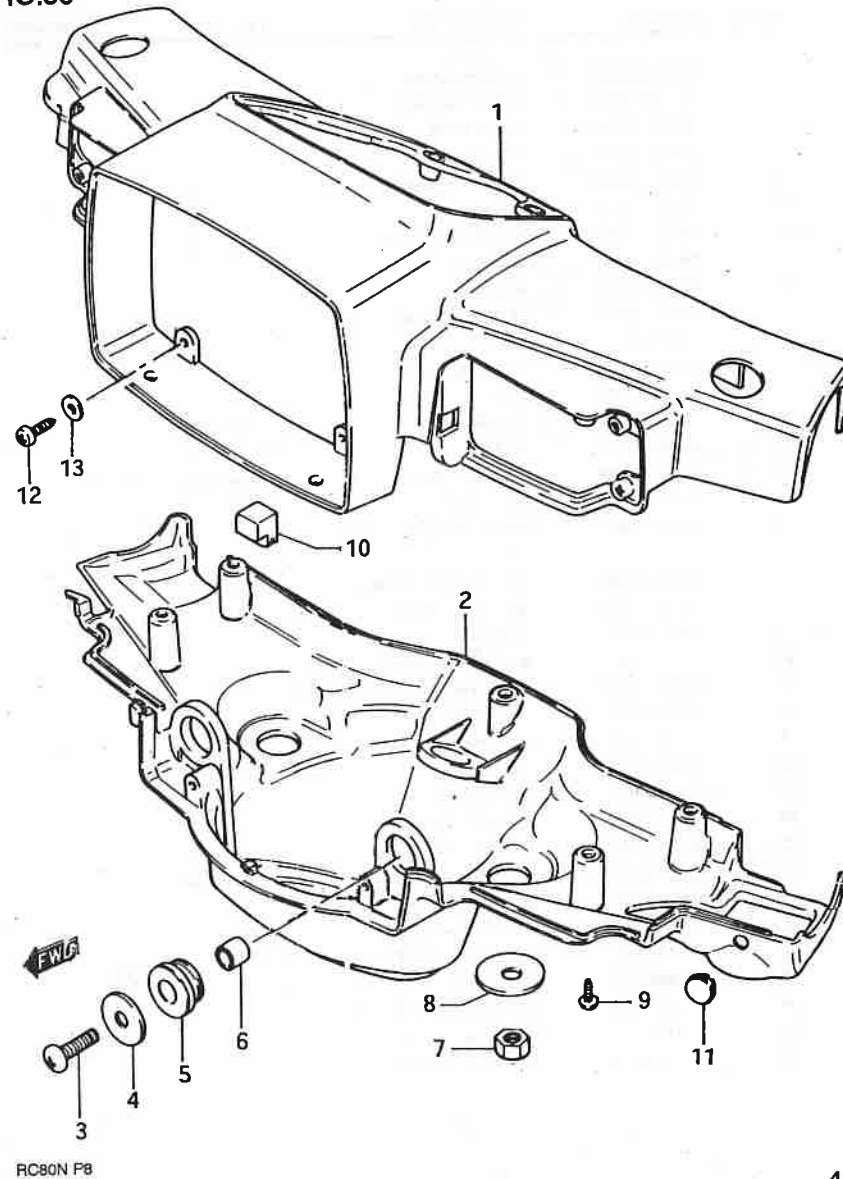


FIG.36 (F-7) HANDLE COVER (model G/J/K)

REF.NO.	PART NO.	DESCRIPTION	Q'TY	REMARKS
1	56311M35401	COVER, handle, upper (ALL COLOURS)	1	model G/J/K
2	56321M35401	COVER, handle lower (ALL COLOURS)	1	
3	02112 - 06208	SCREW, handle lower cover	3	
4	09160 - 06012	WASHER, handle lower cover	3	
5	09320 - 10005	CUSHION, handle lower cover	3	
6	09180 - 06030	SPACER, handle lower cover	3	
7	08310 - 22088	NUT, handle lower cover	2	
8	09160 - 08004	WASHER, handle lower cover	2	
9	03211 - 04128	SCREW, handle cover	5	
10	56325 - 35401	CAP, handle lower cover RH	1	
11	56326 - 35401	CAP, handle lower cover LH	1	
12	03511 - 04168	SCREW	2	
13	08322 - 21047	WASHER	2	

Refer to FIG.36A (F-8) for model L/N

FIG.36A

FIG.36A (F-8) HANDLE COVER (model L/N)

MARKS

REF.NO.	PART NO.	DESCRIPTION	Q'TY	REMARKS
1	56311M35450	COVER, handle, upper (ALL COLOURS)	1	
2	56321M35450	COVER, handle, lower (ALL COLOURS)	1	
3-1	02112 - 06207	SCREW, handle lower cover	3	model L
3-2	09136 - 06041	SCREW, handle lower cover	3	model N
4	09160 - 06012	WASHER, handle lower cover	3	model L
5	09320 - 10005	CUSHION, handle lower cover	3	
6	09180 - 06030	SPACER, handle lower cover	3	
7	03212 - 04129	SCREW, handle cover	5	

4

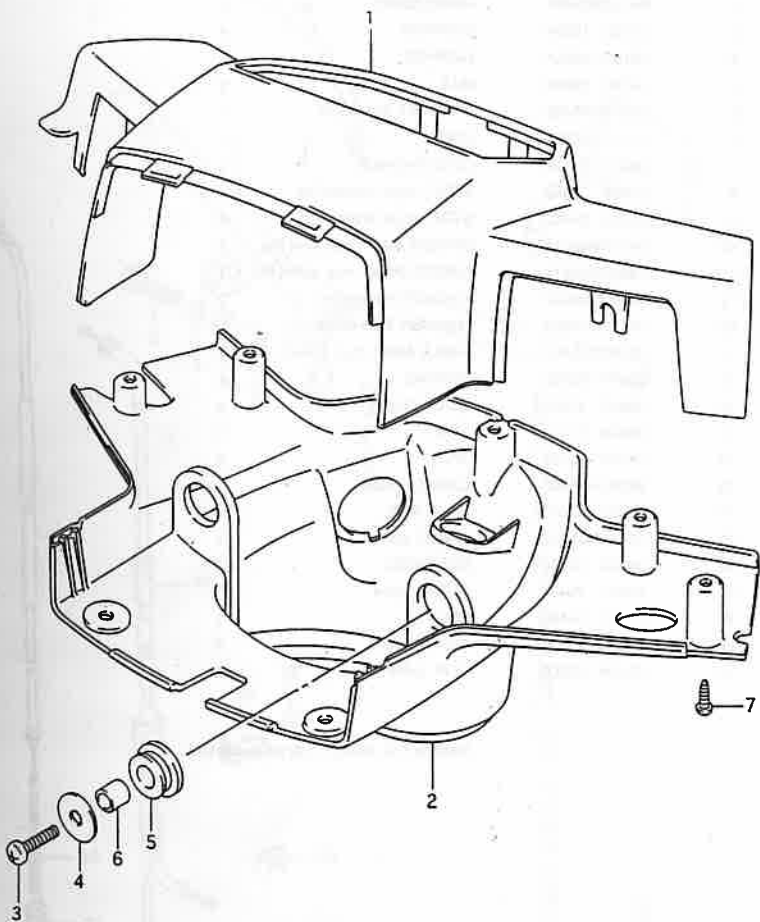
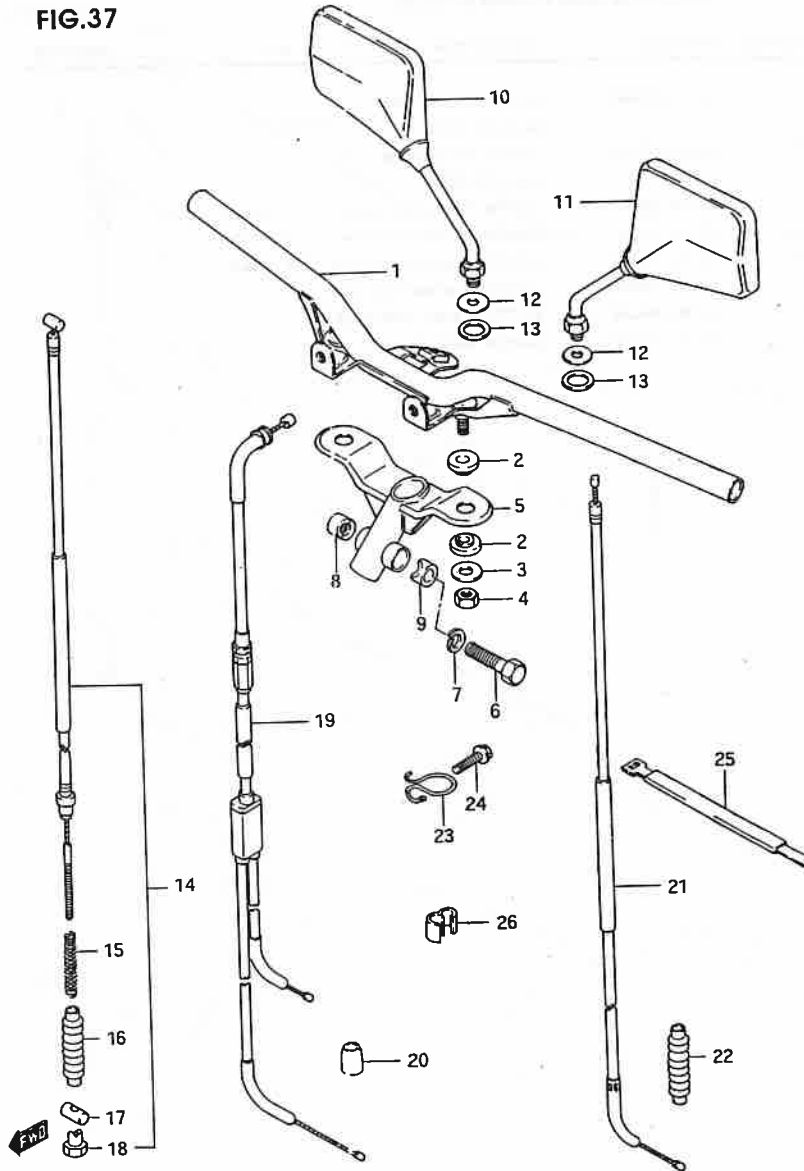


FIG.37



RC80N P8

FIG. 37 (F-9) HANDLEBAR (model G/J/K)

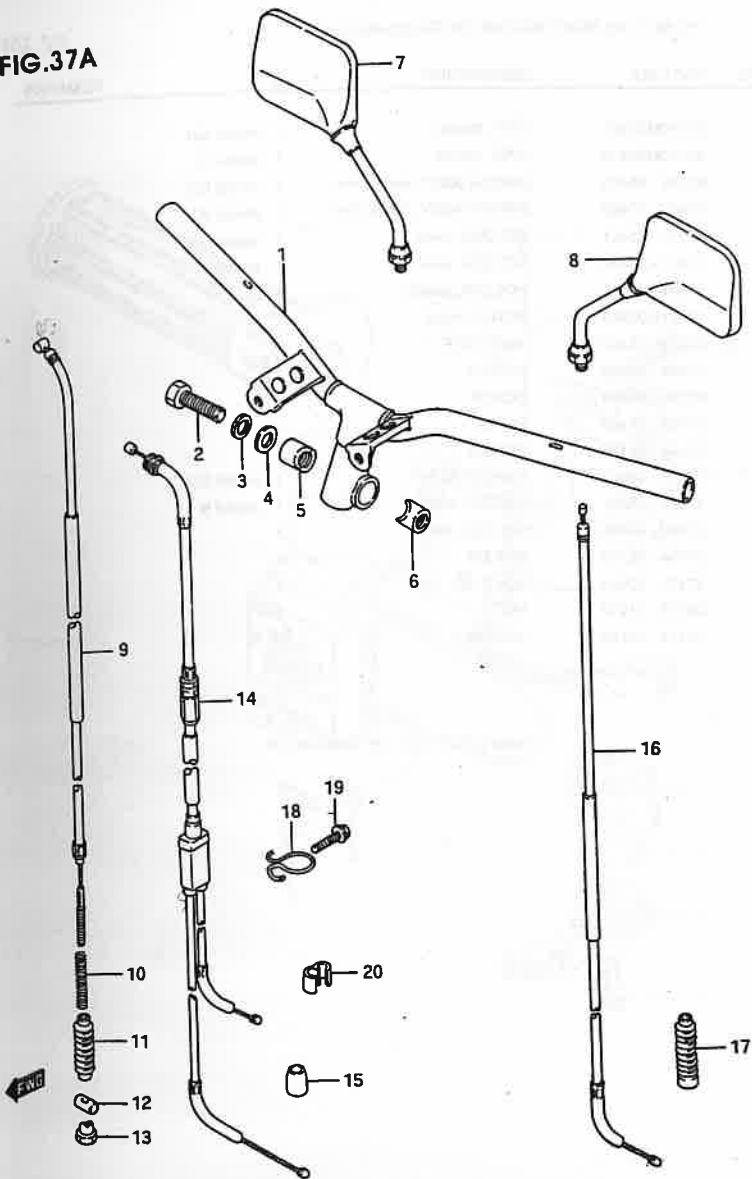
REF.NO.	PART NO.	DESCRIPTION	QTY	REMARKS
1	56110M35401	HANDLEBAR	1	
2	09320 - 10004	CUSHION	4	
3	09160 - 08004	WASHER	2	
4	08310 - 22088	NUT	2	
5	51310M35402	BRACKET, fork upper	1	
6	01107 - 12458	BOLT	1	
7	08321 - 21128	LOCK WASHER	1	
8	51358 - 35402	STOP, upper bracket RH	1	
9	51359 - 35402	STOP, upper bracket LH	1	
10	56500M02110	MIRROR ASSY, rear view RH	1	
11	56600M02110	MIRROR ASSY, rear view LH	1	
12	09160 - 08051	WASHER, view mirror	2	
13	09161 - 15003	WASHER, view mirror	2	
14	58100M35400	CABLE ASSY, front brake	1	
15	09440 - 06003	.SPRING	1	
16	09287 - 07001	.DUST SEAL	1	
17	09209 - 10001	.PIN	1	
18	09150 - 05101	.NUT	1	
19	58300M35403	CABLE, throttle	1	
20	09287 - 07002	DUST SEAL	1	
21	58410M35401	CABLE, starter	1	
22	58333 - 35400	DUST SEAL	2	
23	58621 - 35400	GUIDE, cable	1	
24	01517 - 06105	BOLT	1	
25	09407 - 25301	CLAMP, cable	2	
26	09408 - 00002	CLIP, cable	1	

Refer to FIG. 37A (F - 10) for model L/N

FIG.37A

FIG.37A (F-10) HANDLEBAR (model L/N)

REF.NO.	PART NO.	DESCRIPTION	Q'TY	REMARKS
1	58110M35410	HANDLEBAR	1	
2	09100 - 12081	BOLT	1	
3	08321 - 21128	LOCK WASHER	1	
4	08322 - 11126	WASHER	1	
5	51358 - 35410	STOP, upper bracket, RH	1	
6	51359 - 35402	STOP, upper bracket, LH	1	
7	56500M02110	MIRROR ASSY, rear view, RH	1	
8	56600M02110	MIRROR ASSY, rear view, LH	1	
9-1	58110M35410	CABLE ASSY, front brake	1	→ 58110 - 35411
9-2	58110M35411	CABLE ASSY, front brake	1	
10	09440 - 06003	SPRING	1	
11	09287 - 07001	DUST SEAL	1	
12	09208 - 10001	PIN	1	
13	09150 - 05101	NUT	1	
14	58300M35410	CABLE, throttle	1	
15	09287 - 07002	DUST SEAL	1	
16	58410M35410	CABLE, starter	1	
17	58333 - 35400	DUST SEAL	2	
18	58621 - 35400	GUIDE, cable	1	
19	01517 - 06105	BOLT	1	
20	09408 - 00002	CLIP, cable	1	

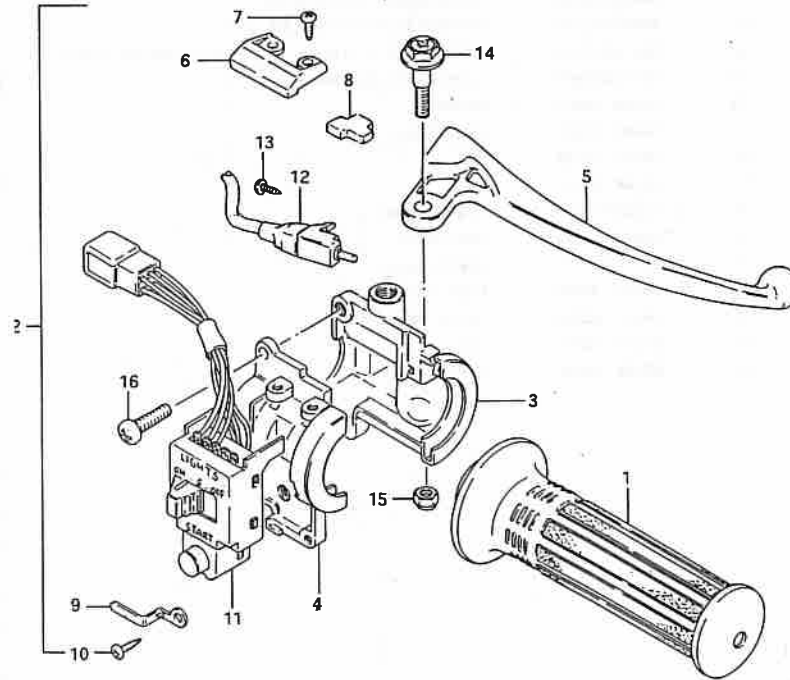


4

FIG.38

FIG.38 (F-11) RIGHT HANDLE SWITCH (model G/J/K)

4

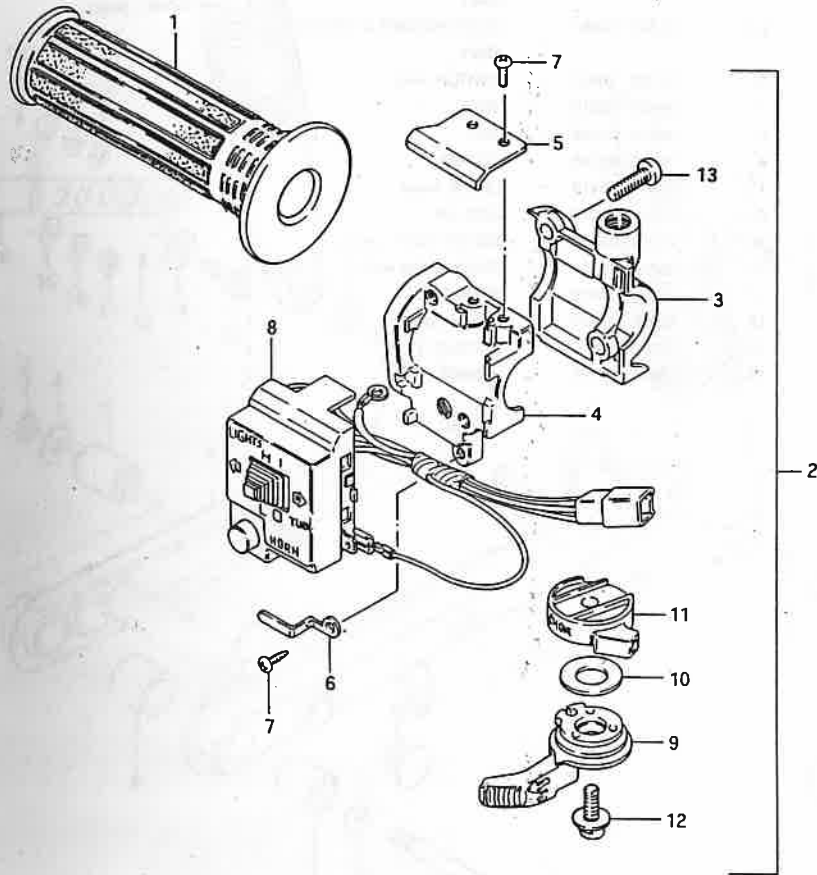


REF.NO.	PART NO.	DESCRIPTION	Q'TY	REMARKS
1-1	57110M35401	GRIP, throttle	1	model G/J
1-2	57110M35430	GRIP, throttle	1	model K
2-1	57300 - 35403	SWITCH ASSY, handle RH	1	model G/J
2-2	57300 - 35480	SWITCH ASSY, handle RH	1	model K
3-1	57311 - 35401	.HOLDER, lever	1	model G/J
3-2	57311 - 35480	.HOLDER, lever	1	model K
4	57361 - 35402	.HOLDER, switch	1	
5	57421M35400	.LEVER, brake	1	
6	57355 - 35400	.SET PIECE	1	
7	57394 - 35400	.SCREW	2	
8	57393 - 35400	.COVER	1	
9	57727 - 35400	.PLATE	1	
10	57464 - 02100	.SCREW	1	
11-1	57301 - 35400	.SWITCH ASSY	1	model G/J
11-2	57301 - 35401	.SWITCH ASSY	1	model K
12	57460 - 35401	.SWITCH, stop	1	
13	57464 - 02100	.SCREW	1	
14	57431 - 02910	.BOLT	1	
15	08319 - 21057	.NUT	1	
16	02112 - 05168	.SCREW	2	

Refer to FIG.39A(F-13) for model L/N

FIG.39

FIG.39 (F-12) LEFT HANDLE SWITCH (model G/J/K)



REF.NO.	PART NO.	DESCRIPTION	Q.TY	REMARKS
1	57211M35401	GRIP, LH	1	
2	57500 - 35401	SWITCH ASSY, LH	1	
3	57511 - 35410	.HOLDER	1	
4	57561 - 35400	.HOLDER, switch	1	
5	57714 - 35400	.PLATE	1	
6	57727 - 35400	.PLATE	1	
7	57585 - 01400	.SCREW	3	
8	57510 - 35400	.SWITCH ASSY	1	
9	58721 - 35400	.LEVER, choke	1	
10	58722 - 03010	.WASHER	1	
11	58711 - 13201	.BODY	1	
12	37574 - 49440	.SCREW	1	
13	02112 - 05168	.SCREW	2	

Refer to FIG.39A(F-13) for model L/N

4

FIG.39A

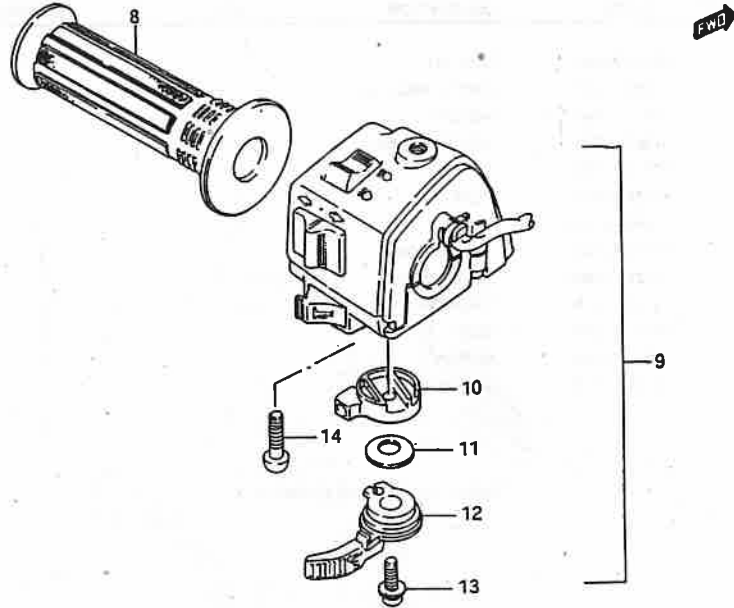
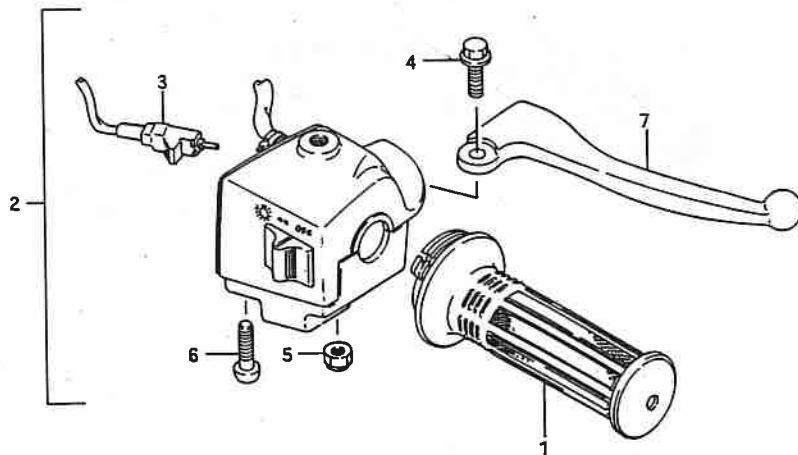


FIG.39A (F-13) HANDLE SWITCH (model L/N)

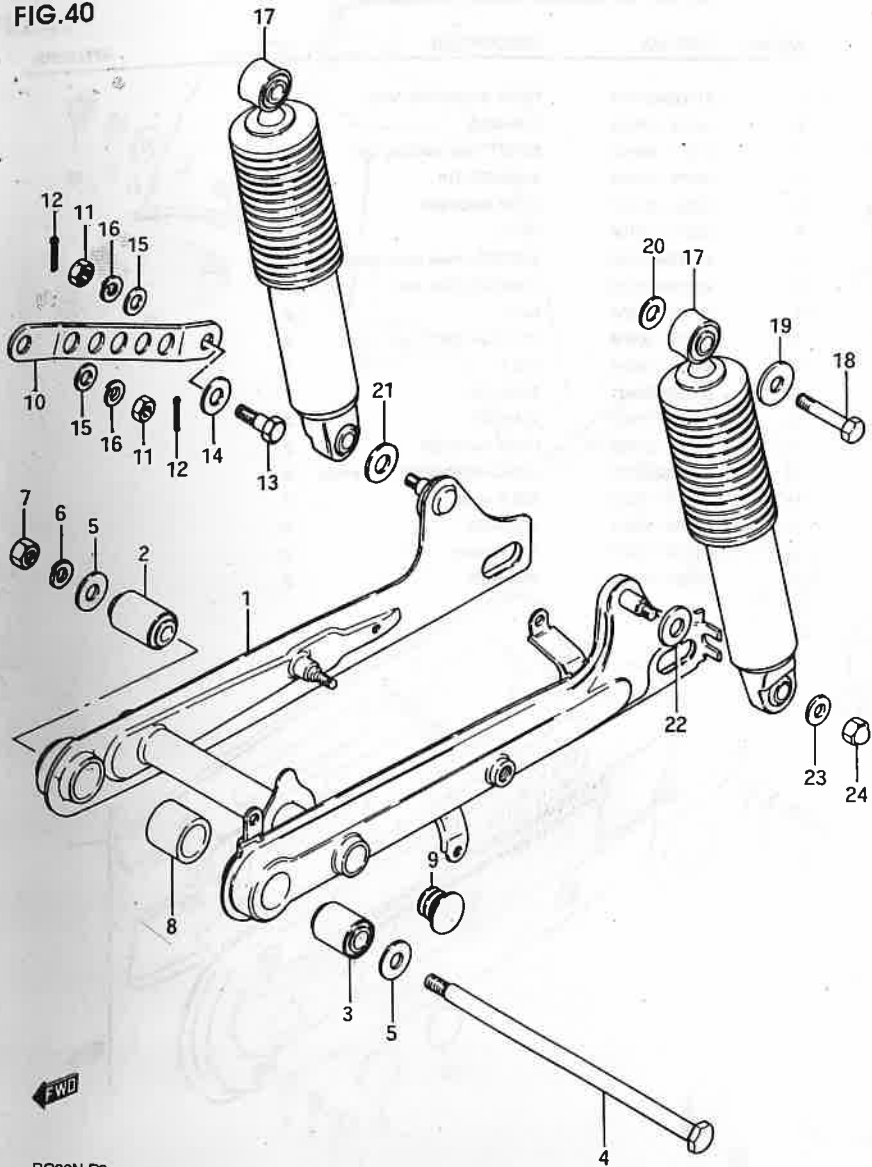
REF.NO.	PART NO.	DESCRIPTION	Q'TY	REMARKS
1	57110M31C00	GRIP, throttle	1	
2-1	57300 - 35460	LEVER HOLDER & SWITCH ASSY	1	→ 57300 - 35461
2-2	57300 - 35461	LEVER HOLDER & SWITCH ASSY	1	
3	57460 - 35401	.SWITCH, stop	1	
4	57431 - 02910	.BOLT	1	
5	08319 - 21055	.NUT	1	
6	09125 - 05065	.SCREW	2	
7	57421M35410	LEVER, brake	1	
8	57211M31C00	GRIP, LH	1	
9	37400M35400	SWITCH ASSY, LH	1	
10	58711 - 13201	.BODY, choke lever	1	
11	58722 - 03010	.WASHER	1	
12	58721 - 35400	.LEVER, choke	1	
13	37574 - 49440	.SCREW	1	
14	09125 - 05105	.SCREW	2	



RC80N P8

FIG.40

FIG.40 (G-2) REAR SWINGING ARM (model G/J/K/L)



REF.NO.	PART NO.	DESCRIPTION	Q'TY	REMARKS
1	61100M35402	SWINGING ARM, rear (ALL COLOURS)	1	← 61100M35822
2	09319 - 10009	BUSHING, RH	1	
3	09319 - 10043	BUSHING, LH	1	
4	61211 - 09400	SHAFT, rear swinging arm	1	
5	08322 - 21108	WASHER	2	
6	08321 - 21107	LOCK WASHER	1	
7	08310 - 12108	NUT	1	
8	09320 - 22001	CUSHION, housing	1	
9	09250M22002	CAP, swinging arm	1	
10	64311M09401	TORQUE LINK, rear	1	
11	09140 - 08008	NUT	2	
12	04111 - 20208	COTTER PIN	2	
13	09111 - 08016	BOLT	1	
14	64322M09401	CUSHION	1	
15	08322 - 21088	WASHER	2	
16	08321 - 21088	LOCK WASHER	2	
17-1	62100M35400	ABSORBER ASSY, rear shock	2	model G/J
17-2	62100M35401	ABSORBER ASSY, rear shock	2	model K
18-1	09104 - 10004	BOLT, shock absorber, upper	2	model G/J/K
18-2	09116 - 10024	BOLT, shock absorber, upper	2	model L
19	08322 - 21108	WASHER, upper	2	model G/J/K
20	09160 - 10001	WASHER, upper	2	
21	09160 - 12012	WASHER, lower RH	1	
22	09160 - 12061	WASHER, lower LH	1	
23	08322 - 21108	WASHER, lower	2	
24	08313 - 11107	NUT	2	

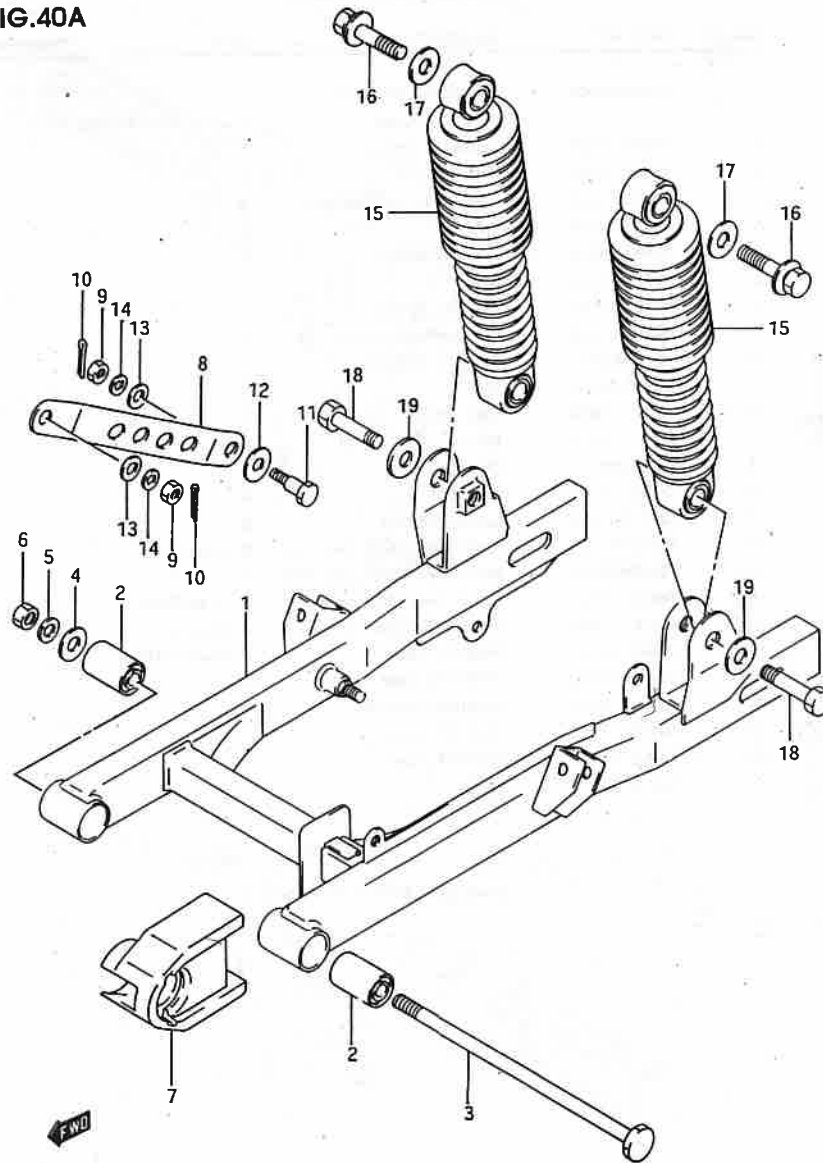
Refer to FIG.40A(G-3) for model N

4



FIG.40A

FIG.40A (G-3) REAR SWINGING ARM (model N)



REF.NO.	PART NO.	DESCRIPTION	QTY	REMARKS
1	61100M35410	REAR SWINGING ARM	1	
2	09319 - 10009	BUSHING	2	
3	61211 - 09410	SHAFT, rear swinging arm	1	
4	08322 - 21108	WASHER, RH	2	
5	08321 - 21107	LOCK WASHER	1	
6	08310 - 12108	NUT	1	
7	61273M31C00	BUFFER, chain touch defence	1	
8	64311M31C00	TORQUE LINK, rear	1	
9	09140 - 08008	NUT	2	
10	04111 - 20208	COTTER PIN	2	
11	09111 - 08016	BOLT	1	
12	64322M09401	CUSHION	1	
13	08322 - 21088	WASHER	2	
14	08321 - 21088	LOCK WASHER	2	
15	62100M35470	ABSORBER ASSY, rear shock	2	
16	09116 - 10024	BOLT, upper	2	
17	09160 - 10001	WASHER	2	
18	09100 - 10227	BOLT, lower	2	
19	08322 - 21108	WASHER	2	

4

RC80N P8

FIG.41

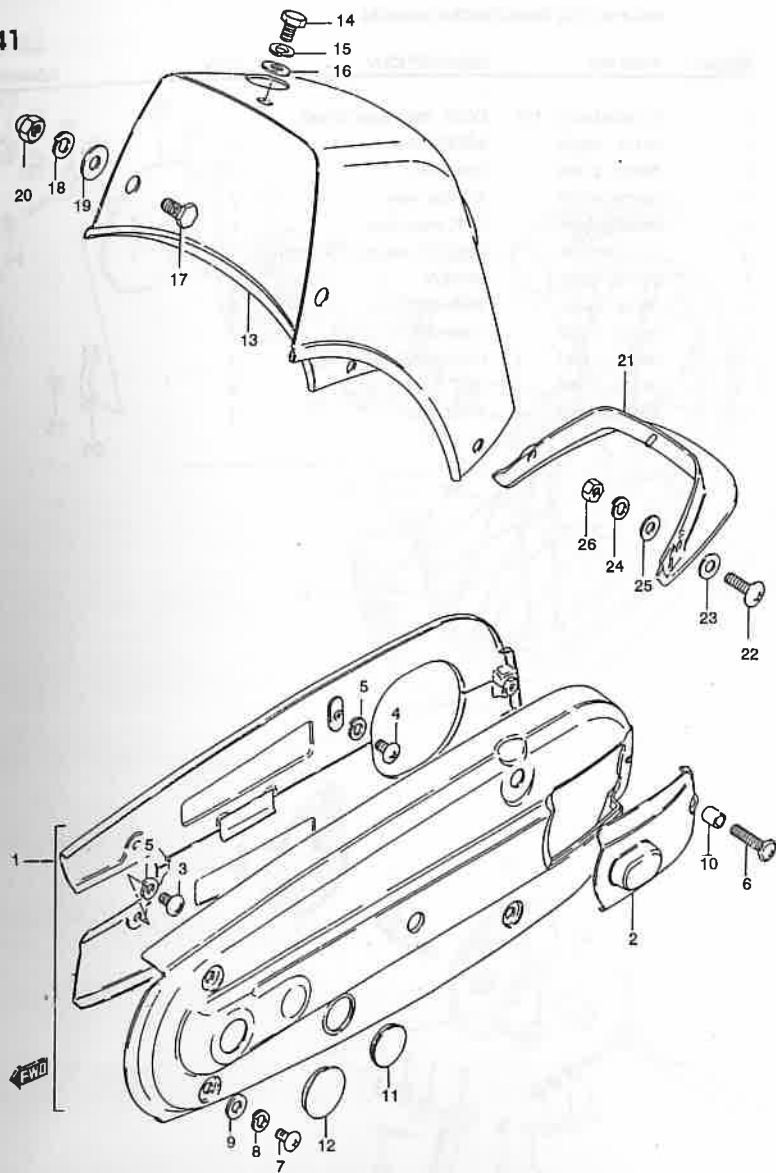


FIG.41 (G-4) REAR FENDER (model G/J/K/L)

REF.NO.	PART NO.	DESCRIPTION	Q'TY	REMARKS
1	61300M35870 - 126	CASE, chain lower (Silver)	1	
2	61332M35401 - 126	COVER, LH(Silver)	1	
3	02112 - 06087	SCREW, lower front, RH	1	
4	02112 - 06087	SCREW, lower rear, RH	2	
5	08321 - 21067	LOCK WASHER, RH	3	
6	02152 - 06207	SCREW, cover	1	
7-1	02112 - 06108	SCREW, LH	3	model G/J/K
7-2	02112 - 36108	SCREW, LH	3	model L
8	08321 - 21067	LOCK WASHER	3	model G/J/K
9	09160 - 06028	WASHER	3	
10	09180 - 06038	SPACER	1	
11	09250M30001	CAP, chain inspection	1	
12	61371 - 09400	CAP	1	
13	63111M35400	FENDER, rear	1	
14	01107 - 06127	BOLT, center	1	
15	08321 - 21067	LOCK WASHER	1	
16	09160 - 06019	WASHER	1	
17	09100 - 08143	BOLT, side (6x12)	2	
18	08321 - 21088	LOCK WASHER	2	
19	09160 - 08010	WASHER (6.5x16x1.2)	2	
20	08313 - 11087	NUT	2	
21	63311M35400	EXTENSION, rear fender	1	
22-1	02142 - 05125	SCREW	2	model G/J/K
22-2	02142 - 15125	SCREW	2	model L
23	08322 - 21055	WASHER	2	model G/J/K
24	08321 - 21056	LOCK WASHER	2	
25	08322 - 21056	WASHER	2	
26	08310 - 11056	NUT	2	

Refer to FIG.41A(G-5) for model N

4

FIG.41A

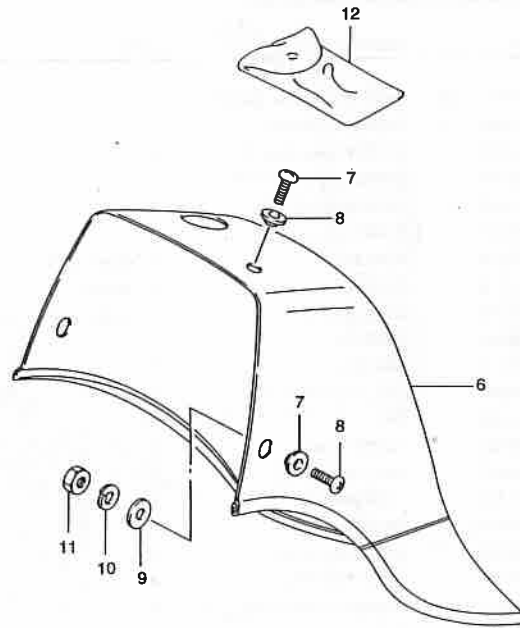
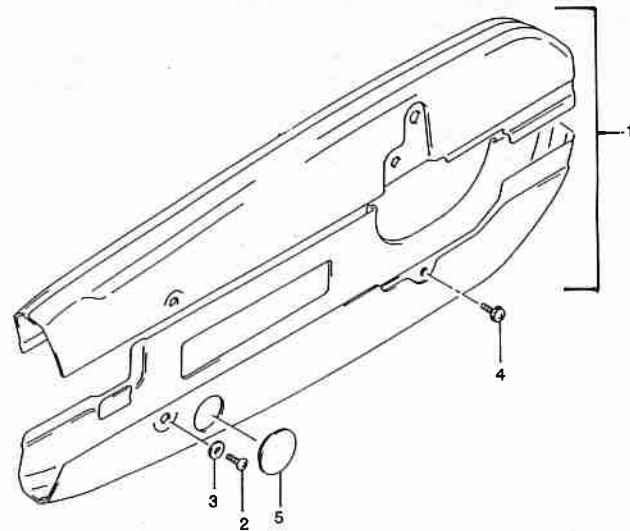


FIG.41A (G-5) REAR FENDER (model N)

REF.NO.	PART NO.	DESCRIPTION	QTY	REMARKS
1	61300M31C10 - 126	CASE, chain upper (Pearl)	1	
2	02112 - 06065	SCREW, front	2	
3	08322 - 21064	WASHER	2	
4	02112 - 16105	SCREW, rear	2	
5	09250M30001	CAP, chain case	1	
6	63111M35430	FENDER, rear (ALL COLOURS)	1	
7	02142 - 06167	SCREW	3	
8	09169 - 06028	WASHER	3	
9	08322 - 21067	WASHER	2	
10	08321 - 21067	LOCK WASHER	2	
11	08310 - 11068	NUT	2	
12	09800 - 00283	TOOL ASSY	1	

4



RC80N P8

FIG.42

FWD

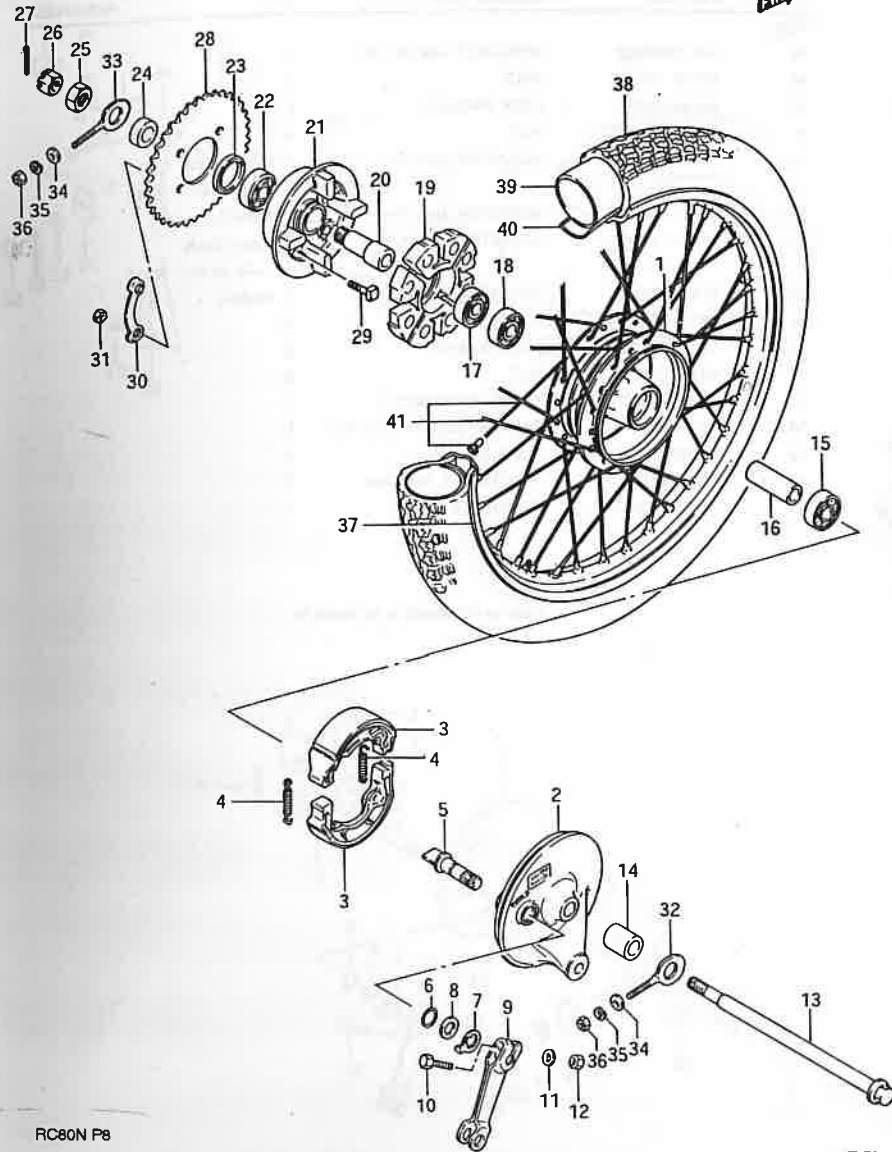


FIG.42 (G-6) REAR WHEEL (model G/J/K/L)

REF.NO.	PART NO.	DESCRIPTION	Q'TY	REMARKS
1	64110M35300	DRUM, rear hub	1	
2	64210M46003	PANEL, rear hub	1	
3	54410 - 01010	SHOE, brake	2	
4	09443 - 07001	SPRING	2	
5	54441 - 29304	SHAFT, brake cam	1	
6	09280 - 14003	O RING	1	
7	54492 - 3540C	PLATE, brake lining	1	
8	09160 - 14003	WASHER	1	
9	64451 - 43020	LEVER, brake cam	1	
10	09100 - 06078	BOLT	1	
11	08322 - 21067	WASHER	1	
12	08310 - 11067	NUT	1	
13	64711 - 35400	AXLE, rear	1	
14	09180 - 12005	SPACER, rear axle	1	
15	08143 - 63017	BEARING, RH	1	
16	09180 - 12084	SPACER, bearing	1	
17	08143 - 62017	BEARING, LH	1	
18	08113 - 62017	BEARINGA, inner LH	1	
19	64651M01001	ABSORBER, rear hub shock	1	
20	64761 - 01000	SHAFT, rear sprocket drum	1	
21	64611M01001	DRUM, sprocket mounting	1	
22	08113 - 62037	BEARING	1	
23	09285 - 25001	OIL SEAL (25x40x6)	1	
24	09180 - 17004	SPACER (17x25x10.5)	1	
25	09140 - 16005	NUT	1	
26	08314 - 31109	NUT	1	
27	04111 - 20208	COTTER PIN	1	

Refer to FIG.42A(G-6) for model N

4

FIG.42

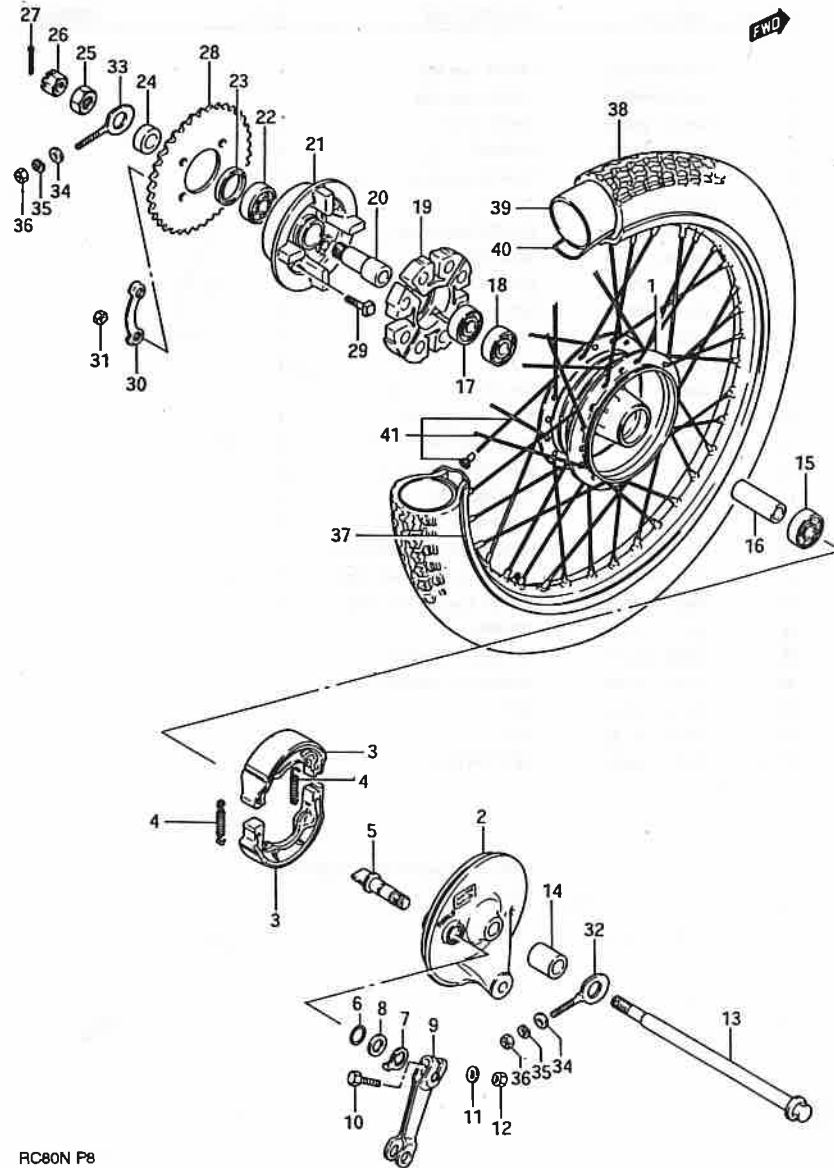


FIG.42 (G-7) REAR WHEEL (model G/J/K/M)

REF.NO.	PART NO.	DESCRIPTION	Q'TY	REMARKS
28	64511M35430	SPROCKET, rear (NT:36)	1	
29	09105 - 08008	BOLT	4	
30	09169 - 08011	LOCK WASHER	2	
31	08310 - 12088	NUT	4	
32-1	61411 - 35400	ADJUSTER, chain RH	1	model G/J/K
				→ 61411 - 35410
32-2	61411 - 35410	ADJUSTER, chain RH	1	model L
33-1	61421 - 35400	ADJUSTER, chain LH	1	model G/J/K
				→ 61421 - 35410
33-2	61421 - 35410	ADJUSTER, chain LH	1	model L
34	08322 - 21067	WASHER	2	
35	08321 - 21067	LOCK WASHER	2	
36	08310 - 11067	NUT	2	
37	55311M03021	WHEEL RIM (1.40x17)	1	
38	65100M03012	TIRE, rear (2.50-17-4PR) IRC	1	
39	55200M03600	TUBE, inner	1	
40	55261M01010	PROTECTOR, inner tube	1	
41	65320M03021	SPOKE SET	1	

Refer to FIG.42A(G-8) for model N

4

RC80N P8

58

FIG.42A

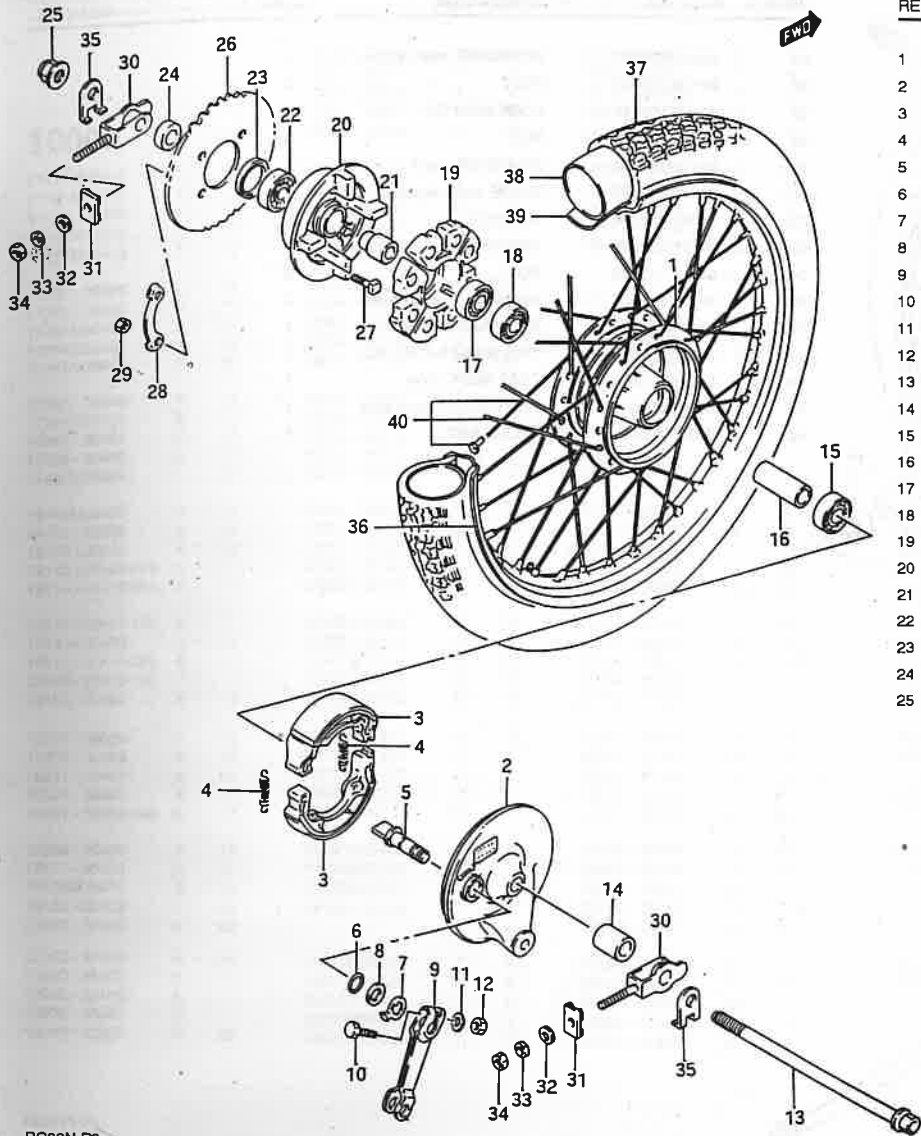


FIG.42A (G- 8) REAR WHEEL (model N)

REF.NO.	PART NO.	DESCRIPTION	Q'TY	REMARKS
1	64110M35300	DRUM, rear hub	1	
2	64210M46003	PANEL, rear hub	1	
3	54410 - 01010	SHOE, brake	2	
4	09443 - 07001	SPRING	2	
5	54441 - 29304	SHAFT, brake cam	1	
6	09280 - 14003	O RING	1	
7	54492 - 35400	PLATE, brake lining	1	
8	09160 - 14003	WASHER	1	
9	64451 - 43020	LEVER, brake cam	1	
10	09100 - 06078	BOLT	1	
11	08322 - 21067	WASHER	1	
12	08310 - 11067	NUT	1	
13	64711 - 28B00	AXLE, rear	1	
14	64731 - 31C00	SPACER, rear axle RH	1	
15	08143 - 63017	BEARING, RH	1	
16	09180 - 12084	SPACER, bearing	1	
17	08143 - 62017	BEARING, LH	1	
18	08113 - 62017	BEARING, inner LH	1	
19	64651M01001	ABSORBER, rear hub shock	1	
20	64611M01001	DRUM, sprocket mounting	1	
21	64733 - 43000	RETAINER, sprocket drum	1	
22	08113 - 62037	BEARING	1	
23	09285 - 25001	OIL SEAL	1	
24	64721M35500	SPACER, rear axle, LH	1	
25	08319 - 31128	NUT	1	

4

FIG.42A

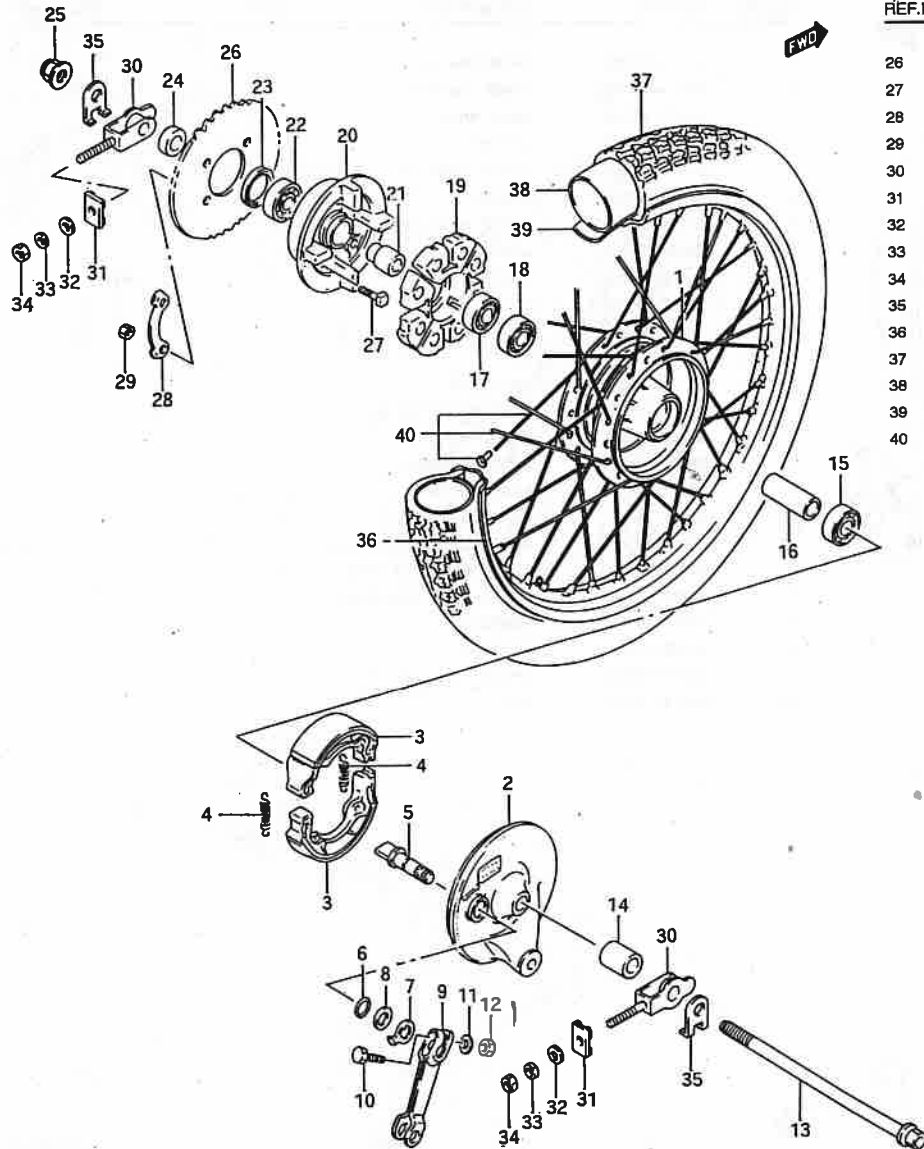


FIG.42A (G-9) REAR WHEEL (model N)

REF.NO.	PART NO.	DESCRIPTION	Q'TY	REMARKS
26	64511M35430	SPROCKET, rear (NT:36)	1	
27	09105 - 08008	BOLT	4	
28	09169 - 08011	LOCK WASHER	2	
29	08310 - 11088	NUT	4	
30	61410M35500	ADJUSTER, chain	2	
31	61420M31C20	GUIDE, chain adjuster	2	
32	08322 - 21088	WASHER	2	
33	08321 - 21088	WASHER, lock	2	
34	08310 - 11088	NUT	2	
35	64712 - 20900	WASHER, adjuster guide	2	
36	55311M03021	RIM, wheel (1.40ox17)	1	
37	65100M03012	TIRE (2.50-17-4PR) IRC	1	
38	55200M03600	TUBE ASSY, inner	1	
39	55281M01010	PROTECTOR, inner tube	1	
40	65320M03021	SPOKE SET	1	

REMARKS

PART NO.	FIG.NO.-REF.NO.	PART NO.	FIG.NO.-REF.NO.	PART NO.	FIG.NO.-REF.NO.	PART NO.	FIG.NO.-REF.NO.	PART NO.	FIG.NO.-REF.NO.	PART NO.	FIG.NO.-REF.NO.
		13249 - 43200	5 - 23	14510M31C00	7 - 6	24310 - 30A00	10 - 12	32101 - 35410	13 - 1		
		13250 - 35400	5 - 2	14510M35401	7 - 6	24331 - 35403	10 - 13	32101 - 35411	13 - 1	34171M35700	16B - 11
		13251 - 35400	5 - 1	16100 - 35403	8 - 6	24341 - 35404	10 - 14	32101 - 35421	13 - 1	34171M35700	16A - 15
		13254 - 20010	5 - 8	16292 - 03112	8 - 7	24741 - 35400	10 - 9	32102 - 35410	13 - 7	34173 - 35441	16B - 15
		13267 - 43200	5 - 19	16320 - 35401	8 - 9	24840 - 35400	2 - 18	32120 - 35410	13 - 2	34173 - 35441	16 - 2
										34183 - 35700	16A - 18
		13268 - 43200	5 - 18	16329 - 35401	8 - 10	25210 - 31C01	11 - 1	32120 - 35420	13 - 2		16B - 18
		13278 - 02330	5 - 27	16329M35402	8 - 10	25221 - 35400	11 - 2	32140 - 35410	13 - 4	34193 - 35700	16A - 17
		13332 - 35400	5 - 4	16731M03101	8 - 8	25311 - 35413	11 - 4	32351 - 39210	13 - 3	34193M35700	16B - 17
		13370 - 02421	5 - 9	16820 - 35403	8 - 15	25341 - 35400	11 - 10	32372 - 35400	13 - 13	34383 - 09400	16 - 9
		13370 - 03A40	5 - 9	16910 - 09C00	2 - 8	25350 - 35403	11 - 12	32500 - 02111	15 - 1	34810 - 35400	24 - 9
		13373 - 46710	5 - 20		2 - 35	25381 - 35411	11 - 5	32800 - 19063	15 - 3	34825 - 02100	24 - 10
		13374 - 46710	5 - 10	17110 - 35410	3 - 20	25382 - 35411	11 - 6	32800 - 35421	15 - 3A	34910M35400	16 - 11
		13383 - 35440	5 - 6	17131M35414	3 - 24	25421 - 35401	11 - 3	33410 - 35410	15 - 8		16A - 21
		13394 - 12110	5 - 7	17133N35412	3 - 28	25510 - 35405	11 - 16	33410 - 35450	15 - 8A		16B - 21
		13411 - 01010	5 - 26	17139 - 35412	3 - 31	25510 - 35411	11 - 16	33510 - 35410	15 - 10	35100 - 10C00	17A - 1
		13417 - 01010	5 - 25			25520 - 35415	11 - 20	33541 - 69010	15 - 11	35100 - 35482	17 - 1
		13418 - 43200	5 - 24			25600M35450	11 - 25	33542 - 35410	15 - 12	35100 - 35590	17A - 1
		13523 - 46110	5 - 30			25652M16500	11 - 26	33610M31C10	14 - 1	35111 - 09401	17 - 2
		13551 - 35410	5 - 15			25671 - 31C00	11 - 24A	33610M38010	14 - 1	35111 - 35560	17A - 2
		13573 - 35400	5 - 17			25671 - 35400	11 - 24	33610 - 38020	14 - 1	35121 - 10C00	17A - 3
		13581 - 36212	5 - 16	21111 - 35404	9 - 1	26210 - 35405	12 - 1	33651M35400	14 - 3	35121 - 35402	17 - 3
		13601 - 04148	5 - 14	21112 - 35402	9 - 2	26221 - 35400	12 - 2	33651 - 37000	26 - 11	35121 - 35590	17A - 3
		13683 - 35420	5 - 12	21210 - 35503	9 - 12	26231 - 35403	9 - 8	33652M28C00	14 - 4A	35135 - 35400	17 - 9
		13683 - 35430	5 - 28	21400 - 35820	9 - 36	26240 - 35401	12 - 6	33652M29100	14 - 6A		17A - 9
		13683 - 36A00	5 - 31	21400 - 35850	9 - 36	26261 - 31C00	12 - 10	33652M35400	14 - 6	35135 - 35440	17 - 10
		13683 - 37420	5 - 13	21410 - 35412	9 - 20	26261 - 35403	12 - 10	33652M36000	14 - 4	35136 - 35400	17 - 8
		13700 - 35403	6 - 1	21441 - 04400	9 - 13	26271 - 35401	12 - 11	33652M39000	14 - 5		17A - 8
		13711M35403	6 - 10	21441 - 35510	9 - 13A	26280 - 31C00	9 - 11	33680 - 01400	14 - 7	35151 - 35402	17 - 6
		13720M35402	6 - 2	21451 - 35401	9 - 14	26280 - 35402	9 - 11	33680 - 14A00	14 - 7		17A - 6
		13739M35400	6 - 12	21452 - 35401	9 - 15	26300M35400	12 - 14	33860 - 31C10	14 - 2	35154 - 13610	17A - 7
		13740M35401	6 - 3	21461 - 35402	9 - 16	26300M35440	12 - 14	34100 - 10C20	16A - 1	35154 - 49430	17 - 7
		13781M35400	6 - 5	21501 - 35423	9 - 6	26352M01000	12 - 15	34100M10C30	16B - 1	35171 - 35300	17 - 4
		13791M35400	6 - 4	21501 - 35440	9 - 6	27511 - 27401	10 - 19	34100 - 35440	16 - 1		17A - 5
		13821 - 00011	6 - 9	23121 - 35410	9 - 22	27511 - 27410	10 - 19	34100 - 35590	16 - 1	35171 - 43020	17A - 5
		13860 - 00010	6 - 11	23221 - 35403	9 - 26	27511 - 46000	10 - 19	34111M35700	16A - 10	35601M35410-999	18 - 1
		13881M35401	6 - 7	23222 - 09400	9 - 27	27600M07612	10 - 21		16B - 10	35601M35450	18A - 1
		14105M09C00	7 - 1	23223 - 35413	9 - 32	27620 - 05220	10 - 22	34112 - 35700	16A - 2	35601M35460	18A - 1
		14105M35441	7 - 1	23230 - 35401	9 - 24	27620 - 20910	10 - 22	34112M35700	16B - 2	35602M35410-999	18 - 2
		14181 - 35400	7 - 2	23230 - 35410	9 - 24			34113 - 35780	16A - 3	35602M35450	18A - 2
				23250 - 35401	9 - 25			34113M35780	16B - 3	35602M35460	18A - 2
		14310M09C01	7 - 5	24121 - 35406	10 - 1			34120 - 09C60	16A - 5	35612M35400	18 - 3
		14310M09C20	7 - 5	24130 - 35402	10 - 11			34120M09C70	16B - 5	35612M35450	18A - 3
		14310 - 35430	7 - 5	24220 - 02A00	10 - 2			34125 - 16A00	16A - 9	35625 - 47610	18 - 5
		14310M35441	7 - 5	24231 - 35403	10 - 4				16B - 9	35632M35400	18 - 4
		14510M09C20	7 - 6	24241 - 35404	10 - 6			34170 - 35700	16A - 11	35632M35450	18A - 4

10000

20000

30000



PART NO.	FIG.NO.-REF.NO.	PART NO.	FIG.NO.-REF.NO.	PART NO.	FIG.NO.-REF.NO.	PART NO.	FIG.NO.-REF.NO.	PART NO.	FIG.NO.-REF.NO.	PART NO.	FIG.NO.-REF.NO.
35652M35420	19 - 3			45149M35400	27 - 2	51100 - 35401-126	32	54210M35400	35 - 2	57300 - 35403	38 - 2
35672M35420	19 - 4			45191M35400	27 - 5	51111 - 35400	32 - 6	54410 - 01010	35 - 3	57300 - 35460	39A - 2
35710M35411-999	19 - 1			45192M35400	27 - 5	51130 - 35400-126	32 - 1		42 - 3	57300 - 35461	39A - 2
35710M35420	19 - 1			45193M35400	27 - 6	51140 - 35400-126	32 - 2		41A - 3	57300 - 35480	38 - 2
35712M35420	19 - 2			45194M35400	27 - 6	51146 - 35420	32 - 8	54441 - 29304	42 - 5	57301 - 35400	38 - 11
		40000							42A - 5	57301 - 35401	38 - 11
35713 - 35401	19 - 5	41100M35400	21 - 1	45210M02400	27 - 12	51147 - 16510	32 - 12		35 - 5	57311 - 35401	38 - 3
35927 - 35400	19 - 18	41100M35401	21 - 1	45210M35400	27 - 9	51148 - 41310	32 - 13	54441 - 35400	35 - 10	57311 - 35480	38 - 3
35950M35400	17 - 18	-41100M35470	21 - 1	45213 - 31300	27 - 10	51153 - 02501	32 - 3	54451 - 35400	35 - 7	57355 - 35400	38 - 6
35950 - 35400	17A - 11	41540M35410	14 - 8	45220 - 35400	27 - 19	51156 - 43010	32 - 4	54492 - 35400	42 - 7	57361 - 35402	38 - 4
36120M35420	17 - 13	41540M35420	14 - 8	45247 - 35400	27 - 16	51171 - 35400	32 - 10				
									42A - 7	57393 - 35400	38 - 8
36118 - 35400	17 - 14	42100M190A1	22 - 1	45248 - 35400	27 - 17	51173 - 43210	32 - 5		35 - 18	57394 - 35400	38 - 7
36300 - 35820	16A - 4	42100M35400	22 - 1	45280 - 35400	27 - 20	51177 - 35400	32 - 9	54611 - 03601	35 - 23	57421M35400	38 - 5
36300M35820	16B - 4	42211 - 03001	22 - 2	45285M35401	27 - 14	51181 - 23330	32 - 11	54621 - 39202	35 - 24	57421M35410	39A - 7
36453 - 35440	16 - 5	42221M03001	22 - 3	45510M35401	28 - 1	51196 - 39140	32 - 7	54632 - 01001	35 - 19	57431 - 02910	38 - 14
36454 - 35440	16 - 7	42231 - 090A0	22 - 4	45511M35430	28A - 1	51310M35402	37 - 5	54661 - 03000			
									35 - 17		39A - 4
36457 - 35440	16 - 8	42231 - 09000	22 - 4	45513 - 35400	28 - 4	51351 - 28B00	32 - 16	54711 - 35411	35 - 31	57460 - 35401	38 - 12
36610M35430	20 - 1			45516M35400	28 - 2	51358 - 35402	37A - 8	54740 - 28100	35 - 32		39A - 3
36610M35431	20 - 1	42251M03003	22 - 5	45524M35410	28A - 3	51358 - 35410	37A - 5	55100M09401	35 - 33	57464 - 02100	38 - 10
36610M35432	20 - 1	42310M35410	22 - 12	45528M35410	28A - 4	51359 - 35402	37 - 9	55200M01011	42 - 39		38 - 13
36610M35580	20 - 1	43110M35410	23 - 1	45530M35400	28 - 3			55200M03600			
									42A - 38	57500 - 35401	39 - 2
36618 - 02100	32 - 26	43300 - 35400	23 - 5	45530M35430	28A - 2	51410 - 35402	32 - 14		35 - 34	57510 - 35400	39 - 8
36851 - 35410	20 - 13	43300 - 35420	23 - 5	46210M35420	27 - 26	51611 - 20002	32 - 19	55261M01010	42 - 40	57511 - 35410	39 - 3
36853 - 35400	20 - 10	43510M35400	22 - 8	46210M35460	27 - 26	51612 - 35400	32 - 20		42A - 39	57561 - 35400	39 - 4
36862M27690	14 - 2	43551M39110	22 - 9	46410 - 35400	29 - 1	51621 - 25000	32 - 21		35 - 35	57585 - 01400	39 - 7
37110 - 02471	20 - 14	43600 - 03001	22 - 17	46440 - 35400	29 - 2	51622 - 35400	32 - 15	55311M01021			
									42 - 37	57714 - 35400	39 - 5
37110 - 35470	20 - 14	43600M39310	22 - 29	47111M35400	30 - 3	51631 - 05000	32 - 23	55311M03021	42A - 36	57727 - 35400	38 - 9
37145 - 02400	20 - 15	43610 - 03001	22 - 18	47111M35420	30 - 1	51643 - 06001	32 - 24		35 - 36		39 - 6
37400M35400	39A - 9	43610 - 39310	22 - 24	47111M35430	30 - 3	51871M35400	33 - 1	55320M01012	37 - 1	58100M35400	37 - 14
37574 - 49440	39 - 12	43612 - 03001	22 - 19	47211M35400	30 - 4	51871M35410	33 - 1	56110M35401	37A - 1	58110M35410	37A - 9
	39A - 13	43612 - 39310	22 - 25	47211M35430	30 - 4	51875 - 09C00-19A	33 - 3	56110M35410			
									36 - 1	58110M35411	37A - 9
37720 - 35400	11 - 28	43620 - 39310	22 - 24	47211M35420	30 - 2	51875 - 35400	33 - 2	56311M35401	36A - 1	58300M35403	37 - 19
37740 - 48071	20 - 16	43631 - 39310	22 - 26	47232 - 35401	30 - 5	51875 - 35420	33 - 3	56321M35401	36 - 2	58300M35410	37A - 14
37880 - 35400	26 - 7	43700M39310	22 - 29	47410M35400	15 - 5	51881M35400	34 - 9	56321M35450	36A - 2	58333 - 35400	37 - 22
37880 - 35410	26 - 7	44110M35400	24 - 1	47431M35400	21 - 11	51881M35430	34A - 7	56325 - 35401	36 - 10		37A - 17
38500 - 35401	20 - 18	44210 - 35011	24 - 2	48111M35400-189	31 - 1	51882M35400	34 - 10				
									36 - 11	58410M35401	37 - 21
38500 - 35411	20 - 18	44210 - 35012	24 - 2	48171M35400	31 - 2	51882M35430	34A - 8	56326 - 35401	37 - 10	58410M35410	37A - 16
38610 - 09400	18 - 8	44210 - 35013	24 - 2	48181M35400	31 - 3	51900 - 35820	32 - 27	56500M02110	37A - 7	58621 - 35400	37 - 23
	18A - 9	44210 - 35014	24 - 2	48198M35400	31 - 4	51910 - 25311	32 - 27		37 - 11		37A - 18
38610 - 09410	18A - 9	44300 - 35400	25 - 1	48241M35410	31 - 16	53111M35420	34 - 1	56600M02110	37A - 8	58711 - 13201	39 - 11
38790 - 02910	18 - 9	44300 - 35401	25 - 1			53111M35430	34A - 1				
	18A - 10	44611M35400	26 - 1			53121 - 35430	34A - 2	57110M35401	38 - 1		39A - 10
		44612M35401	26 - 2			53124M35400	34 - 5	57110M31C00	39A - 1	58721 - 35400	39 - 9
		44650 - 02300	26 - 3				34A - 4	57110M35430	38 - 1		39A - 12
		45100M35445-48H	27 - 1			53134 - 35400	34 - 2	57211M35401	39 - 1	58722 - 03010	39 - 10
		45100M35500-48H	27 - 1			54110M35400	35 - 1	57211M31C00	39A - 8		39A - 11
				50000							

5

REF.NO.

PART NO. FIG.NO.-REF.NO. PART NO. FIG.NO.-REF.NO. PART NO. FIG.NO.-REF.NO. PART NO. FIG.NO.-REF.NO. PART NO. FIG.NO.-REF.NO.

60000

61100M35402 40 - 1
61100M35410 40A - 1
61211 - 09400 40 - 4
61211 - 09410 40A - 3
61273M31C00 40A - 7
61300M31C10-12641A - 1
61300M35870-126 41 - 1
61332M35401-126 41 - 2
61371 - 09400 41 - 12
61410 - 35500 42A - 30
61411 - 35400 42 - 32
61411 - 35410 42 - 32
61420M31C20 42A - 31
61421 - 35400 42 - 33
61421 - 35410 42 - 33
62100M35400 40 - 17
62100M35401 40 - 17
62100M35470 40A - 15
63111M35400 41 - 13
63111M35430 41A - 6
63311M35400 41 - 21
64110M35300 42 - 1
64210M46003 42A - 2
64311M09401 40 - 10
64311M31C00 40A - 8
64322M09401 40 - 14
64451 - 43020 40A - 12
64451 - 43020 42A - 9
64511M35430 42A - 9
64511M35430 42 - 28
64611M01001 42A - 26
64611M01001 42 - 21
64611M01001 42A - 20
64851M01001 42 - 19
64851M01001 42A - 19
64711 - 28B00 42A - 13
64711 - 35400 42 - 13
64712 - 20900 42A - 35

90000

00000

94982 - 28400 27 - 4
95700 - 13600-KEY27 - 22
95700 - 35410-KEY27 - 22
95700 - 35830 27 - 22

01107 - 06127 29 - 7
01107 - 06166 28 - 8
01107 - 06167 3 - 21
01107 - 06207 11 - 27
01107 - 06208 12 - 16
01107 - 06257 12 - 16
01107 - 06257 24 - 3
01107 - 06408 29 - 4
01107 - 08167 22 - 11
01107 - 08207 24 - 6
01107 - 08307 32 - 17
01107 - 08506 27 - 27
01107 - 12458 37 - 6
01134 - 06126 20 - 19
01137 - 08168 22 - 11
01514 - 06125 19 - 19
01517 - 06105 37 - 24
02112 - 03066 2 - 25
02112 - 03106 16A - 6
02112 - 04128 19 - 7
02112 - 04167 13 - 5
02112 - 05066 5 - 29
02112 - 05068 7 - 7
02112 - 05087 20 - 11
02112 - 05106 27 - 23
02112 - 05108 8 - 5
02112 - 05125 20 - 8
02112 - 05126 24 - 11
02112 - 05128 11 - 29
02112 - 05168 8 - 12
02112 - 05308 8 - 13
02112 - 06065 41A - 2
02112 - 06087 41 - 3
02112 - 06106 15 - 6

02112 - 06108 10 - 10
02112 - 06128 3 - 20
02112 - 06166 15 - 9A
02112 - 06167 1 - 5
02112 - 06206 2 - 27
02112 - 06207 3 - 4
02112 - 06208 36 - 3
02112 - 06257 2 - 3
02112 - 06308 3 - 26
02112 - 06357 2 - 4
02112 - 06407 3 - 6
02112 - 06457 3 - 7
02112 - 06507 2 - 5
02112 - 06558 2 - 6
02112 - 06608 2 - 7
02112 - 16105 41A - 4
02112 - 35126 24 - 11
02112 - 35127 32 - 28
02112 - 36108 41 - 7
02112 - 36168 31 - 7
02122 - 06128 11 - 11
02122 - 06306 27 - 21
02132 - 03105 21 - 9
02142 - 05125 41 - 22
02142 - 05128 13 - 11
02142 - 06127 6 - 6
02142 - 06167 6 - 14
02142 - 06207 21 - 12
02142 - 15125 41 - 22
02152 - 05088 3 - 29
02152 - 06108 33 - 5
02152 - 06207 33 - 6

03111 - 04126 41 - 6
03211 - 04126 34 - 3
03211 - 04128 36 - 9
03211 - 04165 33 - 4
03211 - 04258 19 - 6
03212 - 04129 36A - 7
03212 - 04169 17 - 11
03212 - 04359 18 - 6
03231 - 04165 16 - 10
03241 - 05126 18A - 8
03251 - 04208 16A - 20
03511 - 04168 36 - 12
03511 - 04206 18A - 5
03511 - 05166 34A - 3
03551 - 04128 28A - 7
04111 - 16158 9 - 31
04111 - 20208 22 - 22
04111 - 30308 23 - 4
04211 - 11189 1 - 6
06111 - 06003 32 - 22
07110 - 06208 2 - 33
08110 - 62030 10 - 7
08113 - 62007 35 - 29
08113 - 62017 42 - 18
08113 - 62037 42 - 22
08123 - 62007 35 - 29
08143 - 62017 4 - 19
08143 - 63007 35 - 27
08143 - 63017 42 - 15
08211 - 06221 11 - 8

08211 - 12181 12 - 12
08211 - 12262 11 - 22
08310 - 11056 17 - 20
08310 - 11056 17A - 13
08310 - 11067 41 - 26
08310 - 11067 35 - 13
08310 - 11068 42 - 12
08310 - 11068 42A - 36
08310 - 11068 42A - 12
08310 - 11068 41A - 11
03810 - 11088 42A - 29
08310 - 12088 42A - 34
08310 - 12088 7 - 8
08310 - 12088 8 - 20
08310 - 12088 16B - 20
08310 - 12108 40 - 7
08310 - 12108 40A - 6
08310 - 22067 2 - 34
08310 - 22067 9 - 35
08310 - 22088 36 - 7
08310 - 22107 37 - 4
08310 - 22107 22 - 15
08310 - 22107 22 - 23
08313 - 11087 41 - 20
08313 - 11107 40 - 24
08314 - 31108 42 - 26
08316 - 26038 21 - 10
08316 - 26066 19 - 17
08316 - 26066 19 - 20
08316 - 26066 27 - 11
08319 - 21055 27 - 18
08319 - 21055 39A - 5
08319 - 21057 38 - 15
08319 - 31087 2 - 13
08319 - 31107 35 - 15
08319 - 31128 42A - 25
08321 - 21036 2 - 26
08321 - 21036 16B - 7
08321 - 21036 16A - 7
08321 - 21047 13 - 6
08321 - 21055 20 - 9
08321 - 21056 24 - 12
08321 - 21047 13 - 6
08321 - 21055 20 - 9
08312 - 21056 24 - 12



5

PART NO.	FIG.NO.-REF.NO.	PART NO.	FIG.NO.-REF.NO.	PART NO.	FIG.NO.-REF.NO.	PART NO.	FIG.NO.-REF.NO.	PART NO.	FIG.NO.-REF.NO.	PART NO.	FIG.NO.-REF.NO.
	27 - 24	08322 - 21056	17 - 19	09100 - 10007	22 - 14	09150 - 06009	23 - 8	09166 - 24001	32 - 25	09181 - 25065	4 - 14
	41 - 24		17A - 12	09100 - 10227	40A - 18	09159 - 08074	1 - 10	09168 - 06001	3 - 8	09200 - 06010	22 - 21
08321 - 21057	8 - 14		27 - 25	09100 - 12061	37A - 2	09160 - 05001	35 - 22	09168 - 06010	25 - 3		22 - 27
	20 - 12		41 - 25	09103 - 08097	2 - 9	09160 - 06006	6 - 15	09168 - 06026	25 - 3	09200 - 07005	9 - 28
08321 - 21066	2 - 30	08322 - 21057	23 - 9	09103 - 08122	2 - 10	09160 - 06012	36 - 4	09168 - 14004	2 - 17	09200 - 20810	3 - 10
	15 - 7	08322 - 21064	41A - 3	09104 - 10004	40 - 18		36A - 4	09169 - 06016	31 - 10	09206 - 13001	2 - 2
	28 - 9	08322 - 21066	15 - 9B	09105 - 08008	42 - 29	09160 - 06017	9 - 34	09169 - 06028	21 - 13		3 - 3
08321 - 21067	3 - 22	08322 - 21067	3 - 23		42A - 27		34 - 12		41A - 8	09208 - 05005	12 - 8
	14 - 9		23 - 11	09108 - 06070	2 - 29		34A - 10	09169 - 06046	9 - 30	09209 - 05011	11 - 31
	24 - 4		24 - 5	09108 - 08113	1 - 8	09160 - 06019	41 - 16	09169 - 06053	34 - 8	09209 - 10001	37 - 17
	24 - 15		35 - 12	09108 - 08114	1 - 9	09160 - 06027	29 - 6		34A - 6		37A - 12
	26 - 9		41A - 9	09111 - 06001	27 - 15		31 - 6	09169 - 08011	42 - 30	09209 - 11002	23 - 7
	29 - 5		42 - 11	09111 - 06041	11 - 13		34 - 13		42A - 28	09220 - 03002	27 - 7
	29 - 8		42 - 34	09111 - 08016	40 - 13		34A - 11	09169 - 08036	28 - 11	09223 - 04001	11 - 14
	31 - 8		42A - 11		40A - 11	09160 - 06028	41 - 9		28A - 6	09247 - 14025	2 - 16
	41 - 5	08322 - 21086	27 - 29	09116 - 10024	40 - 18	09160 - 06031	3 - 14	09180 - 06030	36 - 6	09250 - 12009	8 - 2
	41 - 8	08322 - 21088	2 - 14		40A - 16		26 - 10		36A - 6	09250M22002	40 - 9
	41 - 15		40 - 15	09119 - 08014	8 - 19	09160 - 06057	19 - 12	09180 - 06038	41 - 10	09250M30001	41 - 11
	41A - 10		40A - 13	09125 - 05043	15 - 4	09160 - 06060	19 - 13	09180 - 06084	19 - 14		41A - 5
	42 - 35		42A - 32	09125 - 05065	39A - 6	09160 - 08004	36 - 8	09180 - 06092	34 - 14	09261 - 04002	11 - 7
08321 - 21086	27 - 28	08322 - 21108	13 - 10	09125 - 05105	39A - 14		37 - 3		34A - 12	09262 - 17023	10 - 18
08321 - 21088	7 - 9		40 - 5	09125 - 06050	31 - 9	09160 - 08010	41 - 19	09180 - 06115	29 - 3	09262 - 25070-0A0	4 - 16
	22 - 10		40 - 19	09125 - 06076	31 - 5	09160 - 08030	2 - 15	09180 - 06134	3 - 16	09263 - 12019	11 - 23
	24 - 8		40 - 23	09125 - 06004	3 - 9	09160 - 08051	37 - 12	09180 - 10091	35 - 28	09263 - 12023	4 - 4
	40 - 16		40A - 4	09128 - 06005	26 - 8	09160 - 10001	40 - 20	09180 - 12005	42 - 14	09263 - 13001	10 - 8
	40A - 14		40A - 19	09128 - 06006	25 - 2		40A - 17	09180 - 12036	11 - 19		10 - 16
	41 - 18	08331 - 31126	12 - 13	09129 - 06003	15 - 4A	09160 - 10047	22 - 13	09180 - 12084	42 - 16	09263 - 20052	4 - 11
	42A - 33	08331 - 31146	12 - 4	09129 - 06004	15 - 2	09160 - 12012	40 - 21		42A - 16	09266 - 16002	9 - 23
	13 - 9	08331 - 31156	35 - 21		20 - 7	09160 - 12061	40 - 22	09180 - 17004	42 - 24	09280 - 06005	9 - 33
08321 - 21107	4G - 6	08331 - 31166	10 - 20	09134 - 03101	35 - 25	09160 - 13006	10 - 3	09180 - 19007	9 - 3	09280 - 14003	35 - 6
	40A - 5	08331 - 31176	9 - 21	09136 - 06041	36A - 3		10 - 15	09180 - 22033	9 - 18		42 - 6
08321 - 21126	37A - 3	08331 - 31216	9 - 19	09137 - 06019	2 - 28	09160 - 14003	35 - 8	09181 - 25051	4 - 14	09280 - 20004	4 - 15
08321 - 21128	37 - 7	08331 - 31383	9 - 5	09137 - 08002	7 - 3		42 - 8	09181 - 25052	4 - 14	09280 - 26003	11 - 30
08321 - 31087	32 - 18	08332 - 11046	12 - 9	09140 - 08008	40 - 11		42A - 8	09181 - 25053	4 - 14	09283 - 17014	10 - 17
08322 - 11066	28 - 10	08332 - 11056	30 - 6		40A - 9	09160 - 15002	23 - 3	09181 - 25054	4 - 14		
	24 - 7	08341 - 31039	13 - 12	09140 - 10003	13 - 8	09160 - 18005	35 - 20	09181 - 25055	4 - 14	09283 - 25066	4 - 17
08322 - 11107	35 - 14	08361 - 35066	2 - 31	09140 - 14022	9 - 10	09160 - 17032	9 - 4	09181 - 25056	4 - 14	09284 - 15001	35 - 30
08322 - 11126	37A - 4		27 - 13	09140 - 16005	42 - 25	09160 - 19006	22 - 20	09181 - 25057	4 - 14	09285 - 12002	11 - 17
08322 - 21036	16A - 8	09100 - 06064	34 - 11	09148 - 03003	28 - 6	09160 - 20010	4 - 9	09181 - 25058	4 - 14	09285 - 14001	12 - 5
	16B - 8		34A - 10		30 - 9	09161 - 02001	28 - 7	09181 - 25059	4 - 14	09285 - 25001	42 - 23
	17 - 17	09100 - 06078	35 - 11		31 - 14		31 - 15	09181 - 25060	4 - 14		42A - 23
	34 - 4		42 - 10	09148 - 03004	27 - 8	09161 - 09003	3 - 15	09181 - 25061	4 - 14	09285 - 43001	35 - 26
08322 - 21047	17 - 12		42A - 10	09148 - 05019	18A - 7	09161 - 15003	37 - 13	09181 - 25062	4 - 14	09287 - 07001	37 - 16
	36 - 13	09100 - 08143	41 - 17	09150 - 05101	37 - 18	09164 - 14011	9 - 9	09181 - 25063	4 - 14		37A - 11
08322 - 21055	41 - 23	09100 - 08155	2 - 11		37A - 13	09164 - 22004	9 - 17	09181 - 25064	4 - 14	09287 - 07002	37 - 20

PART NO.	FIG.NO.-REF.NO.	PART NO.	FIG.NO.-REF.NO.	PART NO.	FIG.NO.-REF.NO.	PART NO.	FIG.NO.-REF.NO.	PART NO.	FIG.NO.-REF.NO.
09289 - 32003	37A - 15	09440 - 04010	11 - 32	09491 - 85008	5 - 3				
09308 - 10012	4 - 18	09440 - 06003	37 - 15	09492 - 22006	5 - 11				
09308 - 10017	20 - 3		37A - 10	09493 - 24007	5 - 32				
09319 - 08010	2 - 12	09440 - 09004	23 - 6	09493 - 26004	5 - 32				
09316 - 10009	40 - 2	09443 - 06032	20 - 17	09493 - 28006	5 - 32				
	40A - 2	09443 - 06053	9 - 29	09494 - 00525	5 - 5				
09319 - 10043	40 - 3	09443 - 07001	35 - 4	09800 - 00283	21 - 14				
09320 - 09003	19 - 15		42 - 4		41A - 12				
09320 - 09004	19 - 16	09443 - 07026	11 - 15						
09320 - 10004	37 - 2	09443 - 09018	11 - 21						
09320 - 10005	36 - 5	09443 - 09025	9 - 7						
	36A - 5	09443 - 13011	12 - 7						
09320 - 11010	34 - 6	09443 - 14022	22 - 16						
09320 - 22001	40 - 8	09443 - 16007	22 - 6						
09321 - 06023	19 - 21	09444 - 26021	11 - 18						
09321 - 09001	8 - 3	09448 - 30009	35 - 9						
09321 - 10001	22 - 7	09448 - 31018	23 - 2						
09321M14005	27 - 3	09448 - 39004	12 - 3						
09329 - 10001	28 - 12	09471 - 06008	19 - 10						
	28A - 5	09471 - 06015	17 - 5						
09343M20001	26 - 4		17A - 4						
09352 - 50823-00A	25 - 4	09471 - 06021	18 - 7						
09354 - 45853-600	8 - 17		18A - 6						
09380 - 17007	10 - 5		19 - 11						
09381 - 12001	4 - 5	09471 - 06052	16 - 4						
09401 - 04401	8 - 16		16A - 12						
09401 - 08401	8 - 18		16B - 12						
09401 - 08402	25 - 5	09471 - 06053	16 - 3						
09401 - 22401	26 - 5		16B - 14						
09402 - 25502	26 - 6		16A - 14						
09402 - 40305	6 - 8	09471 - 06059	16 - 6						
09402 - 48208	6 - 13		16A - 16						
09403 - 20301	20 - 4		16B - 16						
09404 - 06401	2 - 19	09471 - 06062	16B - 13						
09404 - 06402	8 - 21		16A - 13						
09404 - 06415	20 - 5	09471 - 06061	17 - 15						
09404 - 06416	24 - 13	09471 - 06062	16A - 13						
09407 - 08401	13 - 14	09471 - 12003	18A - 6						
09407 - 14403	20 - 6		19 - 9						
09407 - 18402	20 - 6	09471 - 12008	19 - 8						
09407 - 25301	37 - 25	09471 - 12013	17A - 4						
09407 - 25401	20 - 6	09481 - 10001	20 - 2						
09408 - 00002	37 - 28	09482M00105	1 - 11						
	37A - 20	09482 - 00106	1 - 11						

5