

SUZUKI

PARTS CATALOGUE

DL800DERCM3

(EM12D)

E14



2023-1

1ST EDITION

PREFACE

When it becomes necessary to replace parts on SUZUKI MOTORCYCLES, always use SUZUKI GENUINE PARTS which have passed a strict inspection which guarantees quality and performance.

This parts catalogue covers the list of all service parts for SUZUKI DL800DERCM3.

INSTRUCTIONS FOR QUOTING THE CATALOGUE

1. DIMENSIONS

Dimensions of the parts in this catalogue are indicated in unit millimeters.

2. ABBREVIATIONS

Abbreviations used in this catalogue are as follows:

AR	: As required	NT	: Number of teeth
ASSY	: Assembly	OPT	: Optional
E. NO.	: Engine number	OS	: Over size
F. NO.	: Frame number	STD	: Standard
D	: Diameter of material	T	: Thickness
ID	: Inside diameter	US	: Under size
OD	: Outside diameter	W	: Width
L	: Length		
LH	: Left hand side		
RH	: Right hand side		
~100045	: Up to F. NO. A100-100045		
100046~	: From F. NO. A100-100046		
12 x 34 x 5.6.....	Figures in the description column		
	show the dimensions of parts.		
ID OD T(or W, L)			

→12345-56781 (Parts No.) : indicates that the parts number was changed to 12345-56781 and the new parts are interchangeable with the former ones but the former ones are not interchangeable with new ones.

←12345-56781 (Parts No.) : indicates that the former and new parts are interchangeable with each other and both are usable.

3. INNER PARTS OF ASSEMBLY

Part name with a dot (.) in front as shown in the description column indicates the component of the assembly also available individually.

4. MODIFICATION NOTICE

A parts bulletin will be sent to you on all occasions when changes in parts occur, including interchangeable modifications between new parts and old ones.

5. NOTE

5-1. There are some different parts from those of production models among spare parts for the administrative reasons and common use of them with other models.

5-2. In respect of rubber hoses and vinyl tubes, please be sure to use them by cutting off according to the length mentioned on parts catalogue or what is actually required on the vehicle.

5-3. Note that the drawings on the illustration page are for ready reference of spare parts number, not to be used as an assembly manual.
When assembling, use "SUZUKI SERVICE MANUAL".

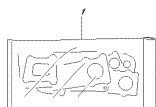
6. SPECIFICATION CODE

This catalogue contains the parts for the model designed for the following spec. ;
spec. code : E14.

7. SERIAL FRAME NUMBER

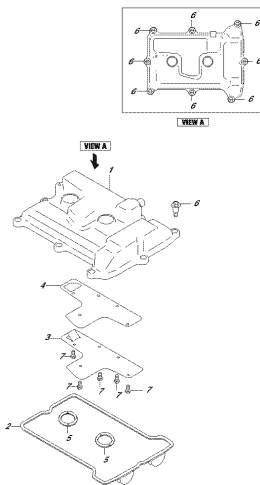
DL800DERCM3 : JS1EM12DZ07100001 ~

FIG. 101A



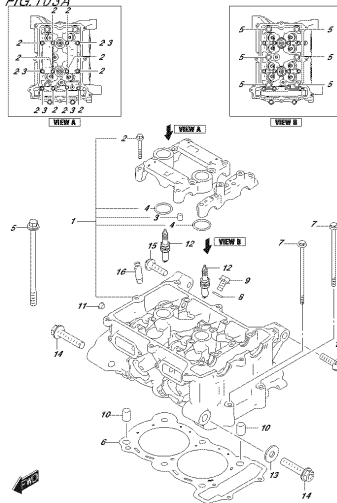
ЭЛСООДРОМЛ_ЭГ_101А
САНХҮҮГИЙТ

FIG. 102A



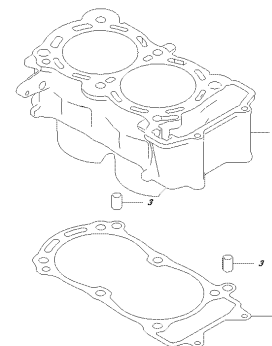
ЭЛСООДРОМЛ_ЭГ_102А
ӨГЛӨӨНХӨРЧӨМӨГ

FIG. 103A



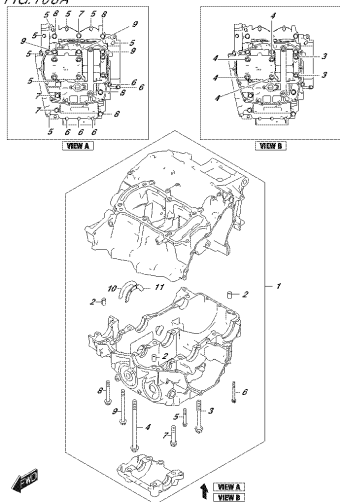
ЭЛСООДРОМЛ_ЭГ_103А
ӨГЛӨӨНХӨРЧӨМӨГ

FIG. 107A



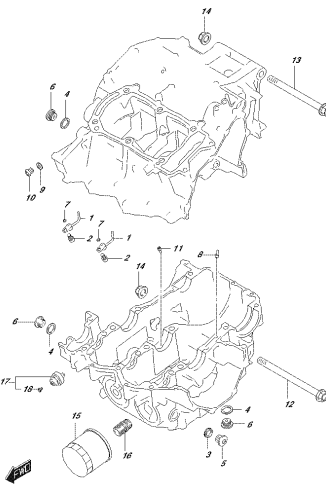
ЭЛСООДРОМЛ_ЭГ_107А
ӨГЛӨӨНХӨРЧӨМӨГ

FIG. 108A



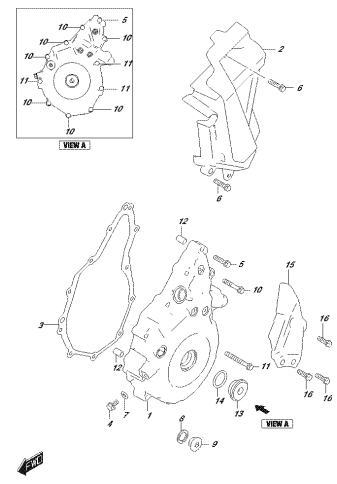
ЭЛСООДРОМЛ_ЭГ_108А
ӨГЛӨӨНХӨРЧӨМӨГ

FIG. 109A



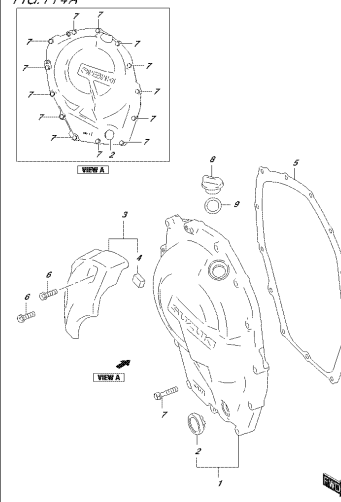
ЭЛСООДРОМЛ_ЭГ_109А
ӨГЛӨӨНХӨРЧӨМӨГ

FIG. 113A



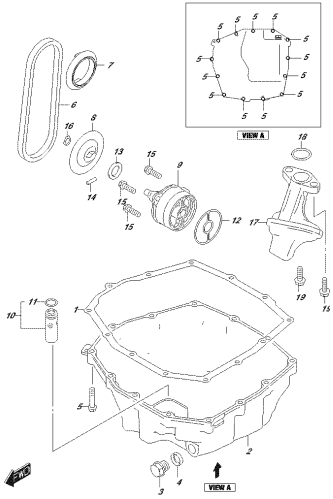
ЭЛСООДРОМЛ_ЭГ_113А
НАХИРХӨРЧӨМӨГ

FIG. 114A



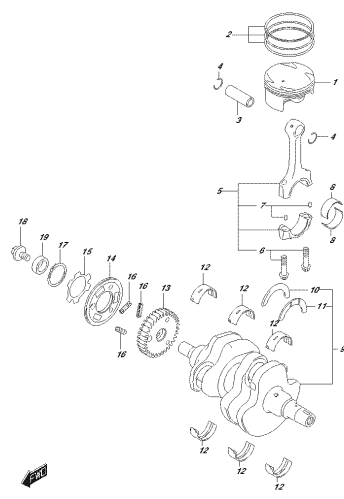
ЭЛСООДРОМЛ_ЭГ_114А
ӨГЛӨӨНХӨРЧӨМӨГ

FIG. 116A



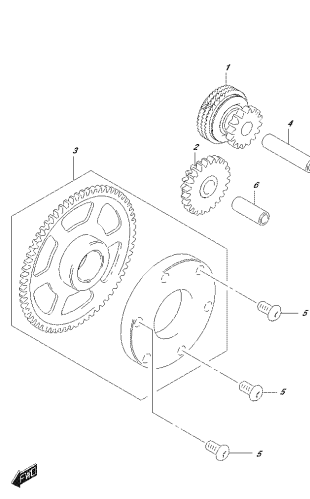
ELBOSOPRARI_EYE_116A
OIL PUMP

FIG. 120A



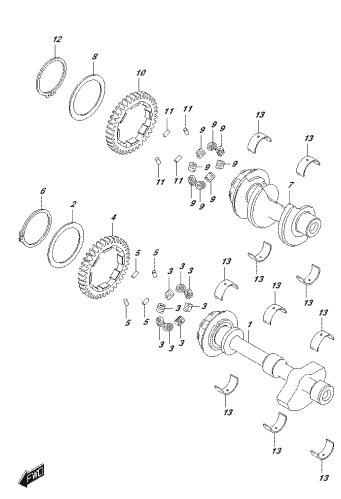
ELBOSOPRARI_EYE_120A
GEARSHAFT

FIG. 122A



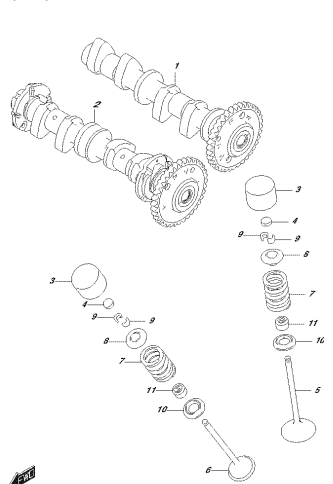
ELBOSOPRARI_EYE_122A
GEARSHAFT

FIG. 124A



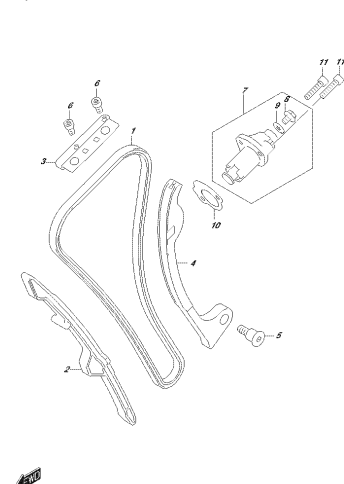
ELBOSOPRARI_EYE_124A
GEARSHAFT

FIG. 126A



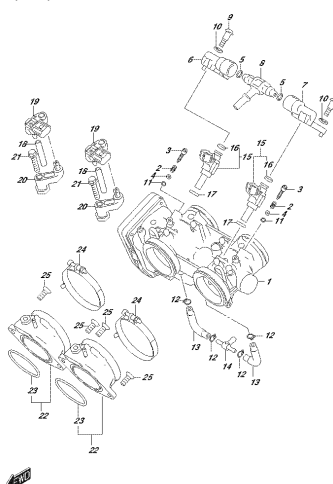
ELBOSOPRARI_EYE_126A
GEARSHAFT

FIG. 127A



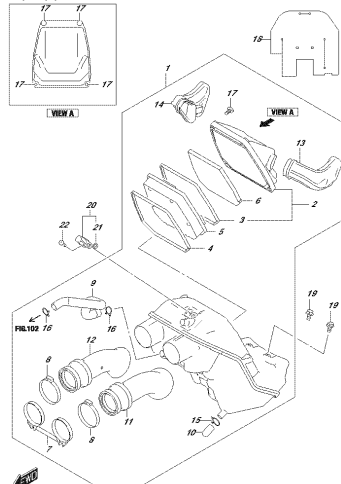
ELBOSOPRARI_EYE_127A
GEARSHAFT

FIG. 140A



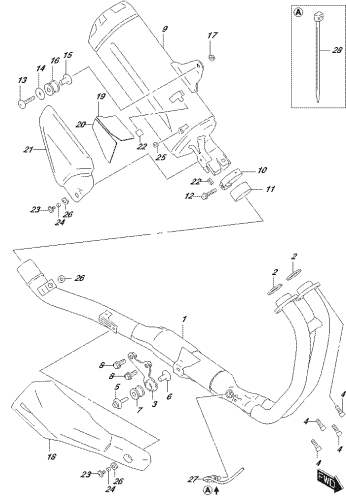
ELBOSOPRARI_EYE_140A
GEARSHAFT

FIG. 155A



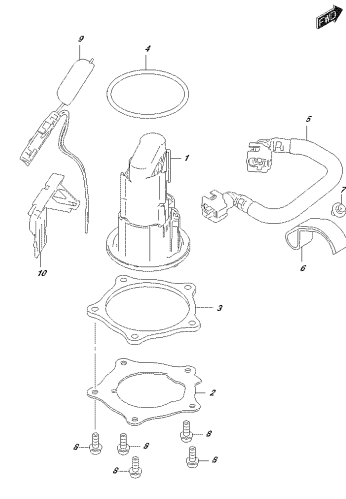
ELBOSOPRARI_EYE_155A
GEARSHAFT

FIG. 163A



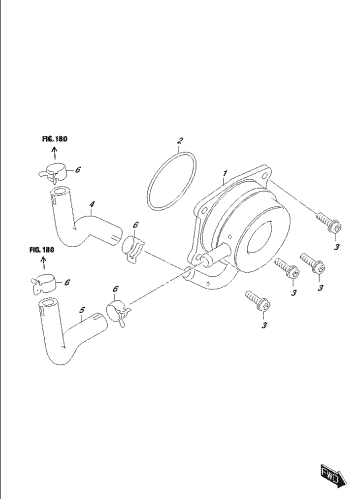
ELBOSOPRARI_E14_163A
SUFFLER

FIG. 172A



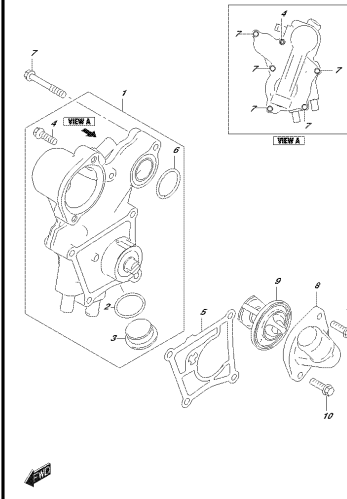
ELBOSOPRARI_E14_172A
FUELPUMP

FIG. 178A



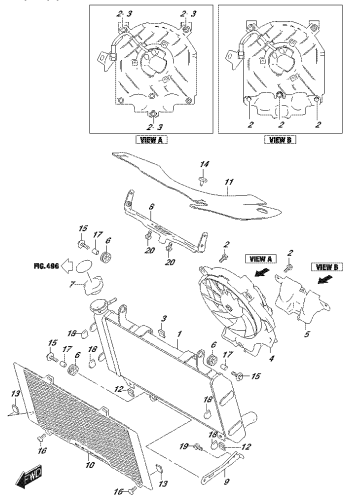
ELBOSOPRARI_E14_178A
DE COOLST

FIG. 180A



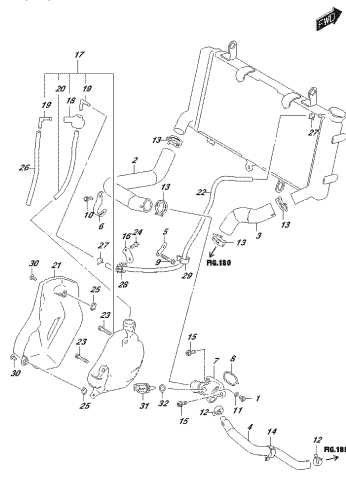
ELBOSOPRARI_E14_180A
WASSERPUMP

FIG. 185A



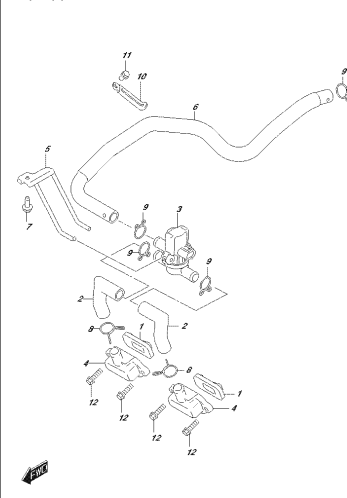
ELBOSOPRARI_E14_185A
PUMPTOPF

FIG. 187A



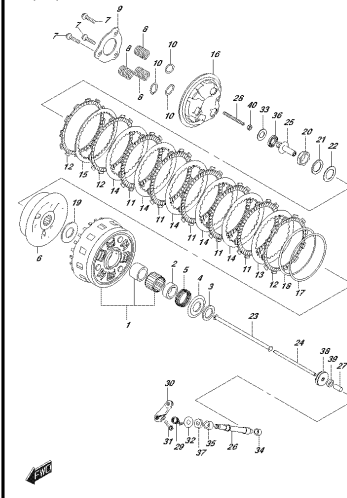
ELBOSOPRARI_E14_187A
PUMPTORNE

FIG. 189A



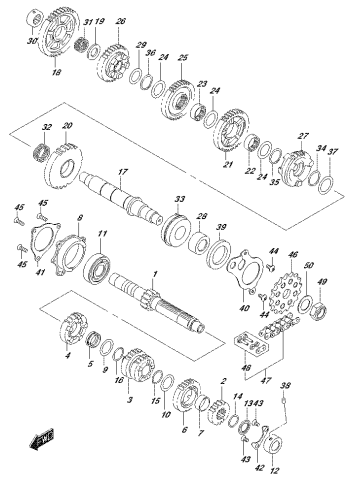
ELBOSOPRARI_E14_189A
3102-40F

FIG. 201A



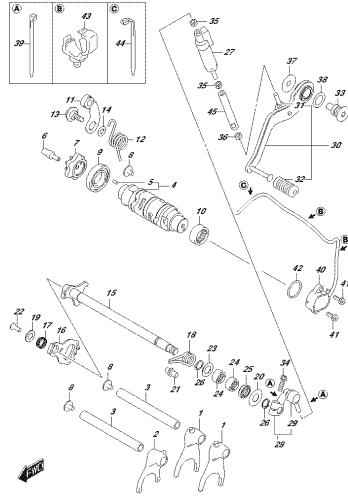
ELBOSOPRARI_E14_201A
GLITCH

FIG.206A



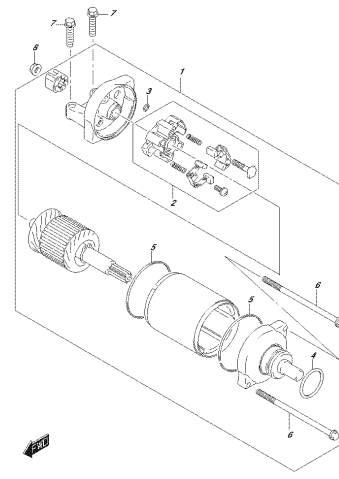
ELBROSPRAMEL_EYH_0104
ITEM#01000270

FIG.212A



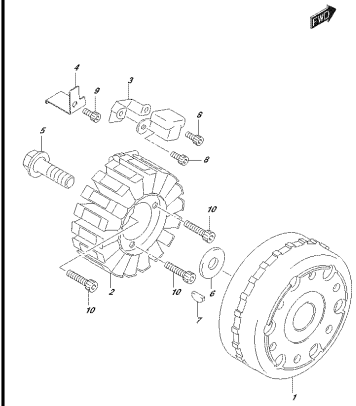
ELBROSPRAMEL_EYH_0104
ITEM#01001780

FIG.301A



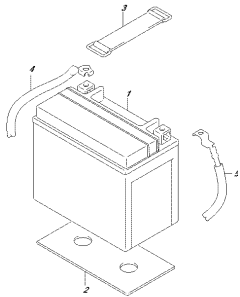
ELBROSPRAMEL_EYH_0104
ITEM#01001700

FIG.303A



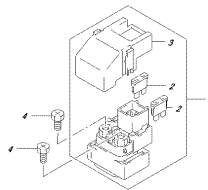
ELBROSPRAMEL_EYH_0104
ITEM#01001700

FIG.310A



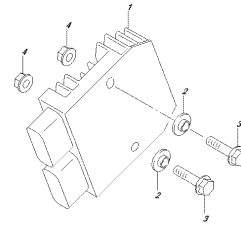
ELBROSPRAMEL_EYH_0104
ITEM#01001700

FIG.311A



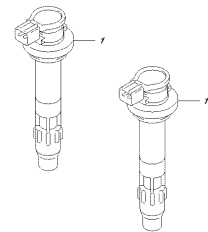
ELBROSPRAMEL_EYH_0114
ITEM#01001700

FIG.313A



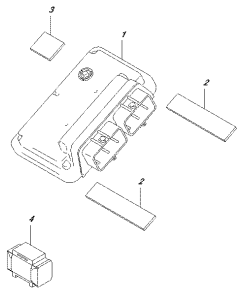
ELBROSPRAMEL_EYH_0104
ITEM#01001700

FIG.316A



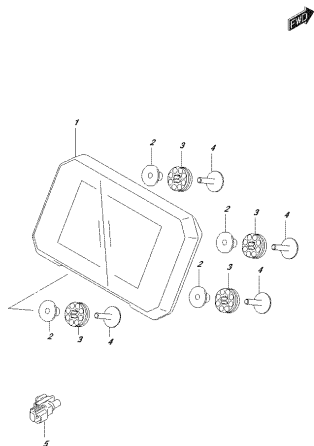
ELBROSPRAMEL_EYH_0104
ITEM#01001700

FIG.322A



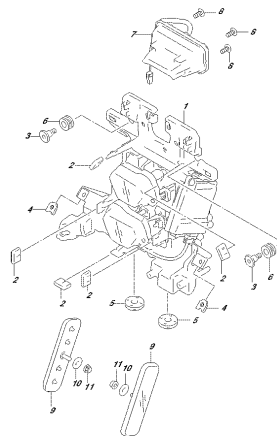
EL8000REAR_E14_0304
ELECTRONIC SHIFT CONTROL UNIT

FIG.330A



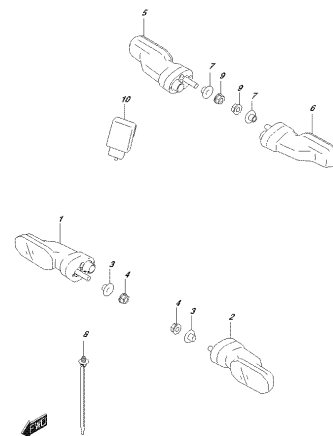
EL8000REAR_E14_0304
SPEEDOMETER

FIG.333A



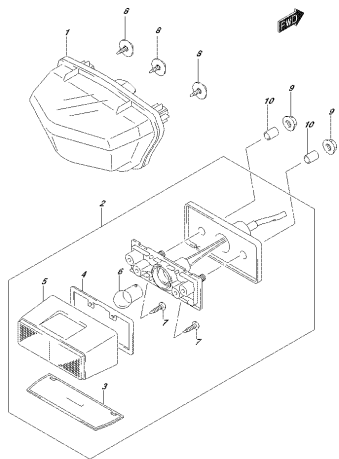
EL8000REAR_E14_0304
VEHICLE LAMP

FIG.334A



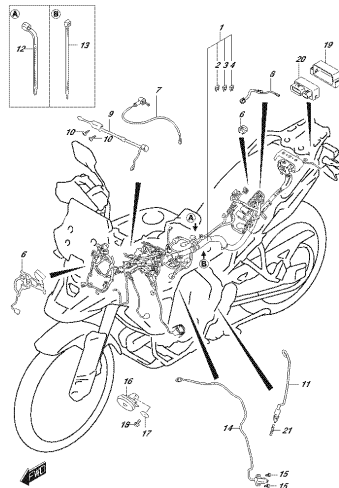
EL8000REAR_E14_0304
TURN SIGNAL LAMP

FIG.339A



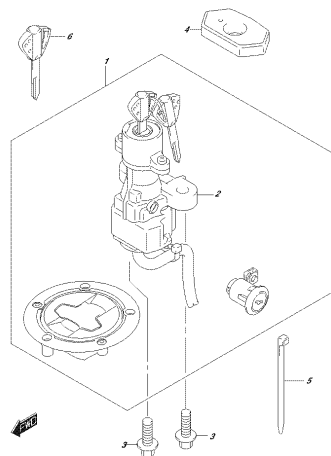
EL8000REAR_E14_0304
REAR COMBINATION LAMP

FIG.350A



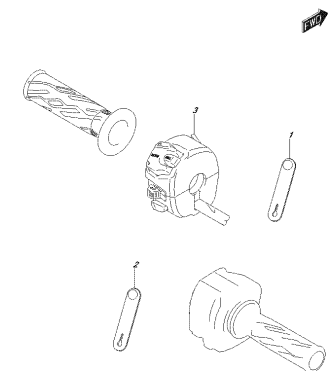
EL8000REAR_E14_0304
MIRROR/WINDRESS

FIG.352A



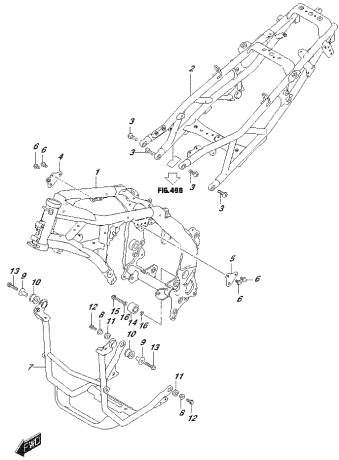
EL8000REAR_E14_0304
LOCK SET

FIG.355A



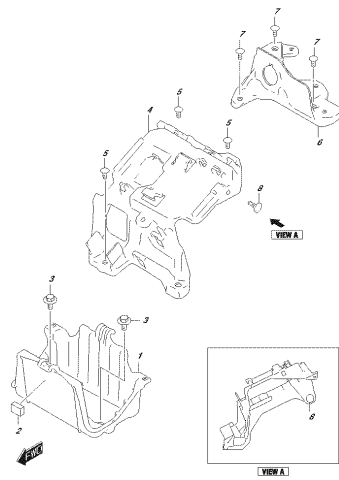
EL8000REAR_E14_0304
HANDLE SWITCH

FIG.401A



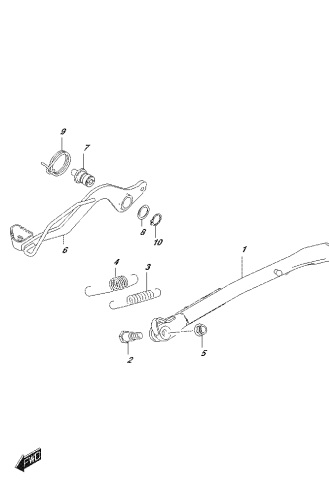
ELBROSSEPARTS_EYE_401A
SEATCASE

FIG.406A



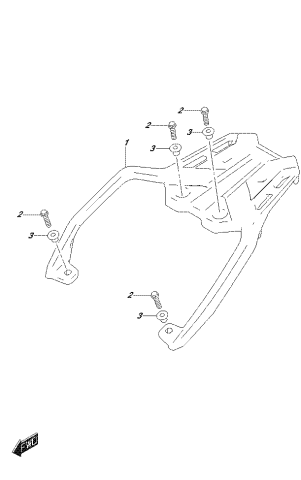
ELBROSSEPARTS_EYE_406A
HOLDSEAT

FIG.407A



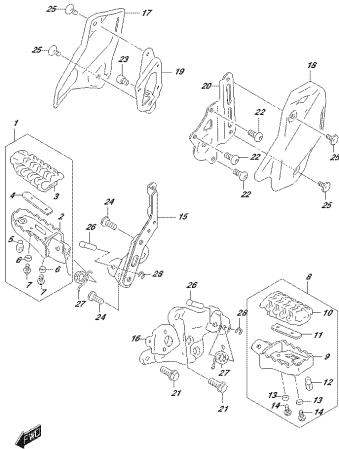
ELBROSSEPARTS_EYE_407A
SEATH2

FIG.412A



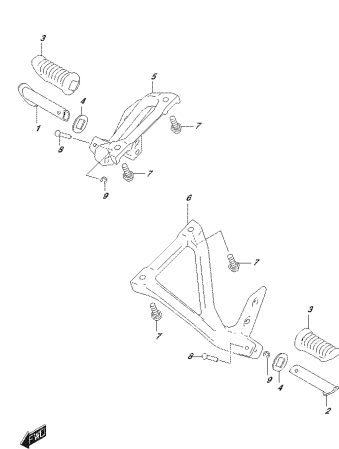
ELBROSSEPARTS_EYE_412A
CARPIREIN

FIG.415A



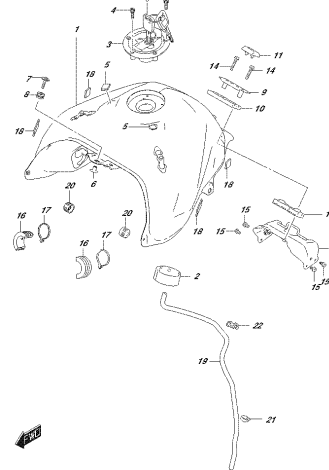
ELBROSSEPARTS_EYE_415A
FOOTREST

FIG.417A



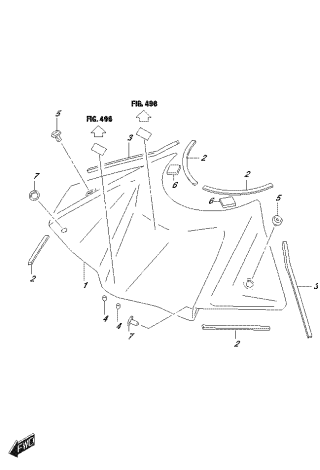
ELBROSSEPARTS_EYE_417A
PILKON FOOTREST

FIG.420A



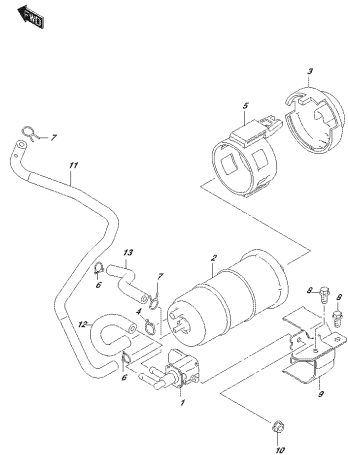
ELBROSSEPARTS_EYE_420A
FUELDRAW

FIG.423A



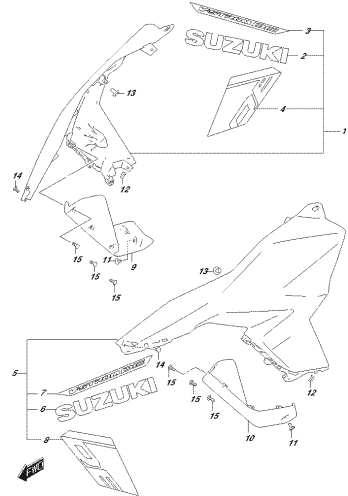
ELBROSSEPARTS_EYE_423A
FUELDRAW COVER

FIG.427A



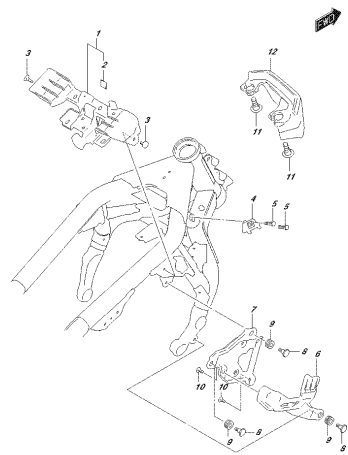
ELBROSPERAKI EYLE 4174
CAMP/510758

FIG.433A



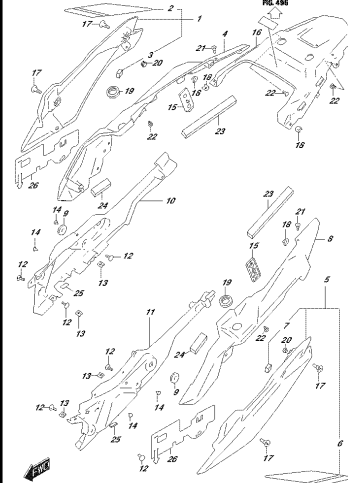
ELBROSPERAKI EYLE 4334
SIZ/CO457

FIG.444A



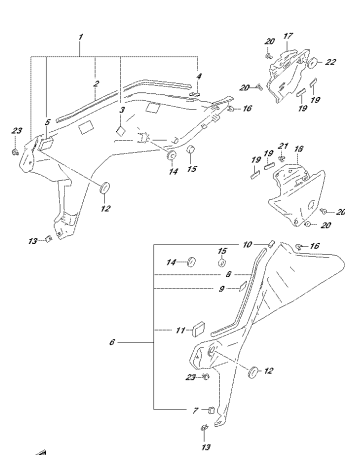
ELBROSPERAKI EYLE 4444
FRONT/3040007

FIG.445A



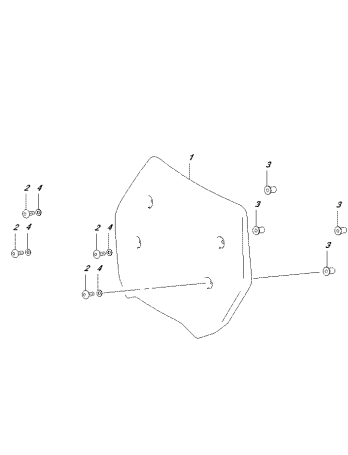
ELBROSPERAKI EYLE 4454
FRONT/300007

FIG.447A



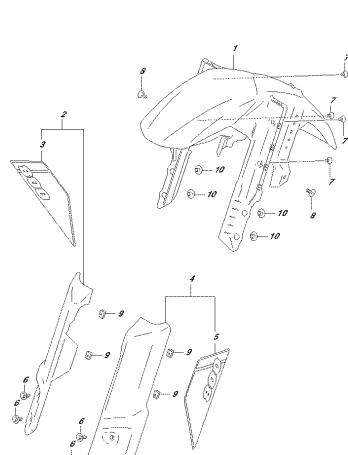
ELBROSPERAKI EYLE 4474
FRONT/300007

FIG.454A



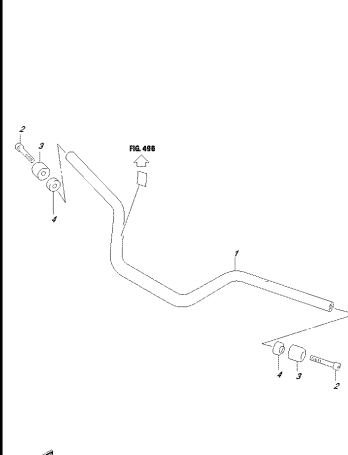
ELBROSPERAKI EYLE 4544
FRONT/300007

FIG.460A



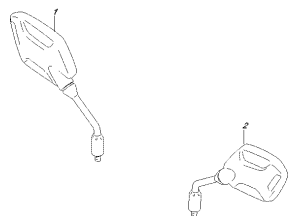
ELBROSPERAKI EYLE 4604
FRONT/300007

FIG.462A



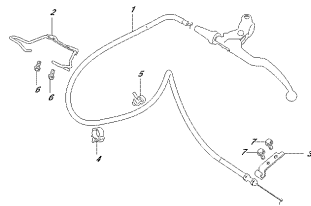
ELBROSPERAKI EYLE 4624
FRONT/300007

FIG.464A



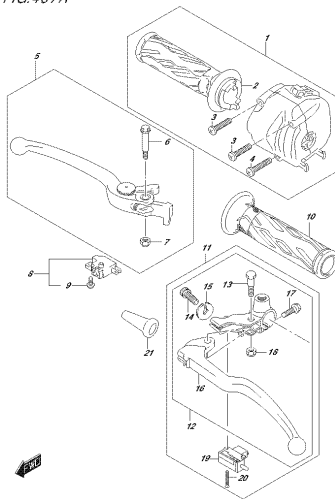
ELBOSOPREMI EYLE 464A
REARVIEW MIRROR

FIG.466A



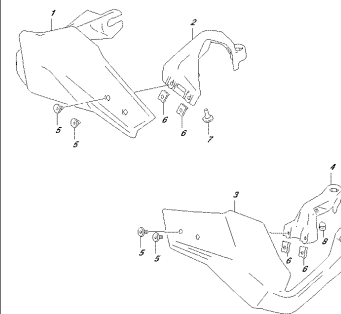
ELBOSOPREMI EYLE 466A
CONTROL CABLE

FIG.467A



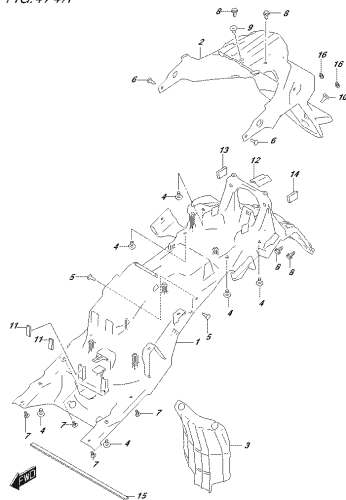
ELBOSOPREMI EYLE 467A
HANDLEBAR

FIG.472A



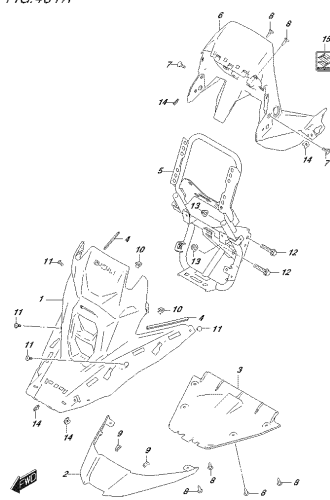
ELBOSOPREMI EYLE 472A
MULTIPLE CONTROL

FIG.474A



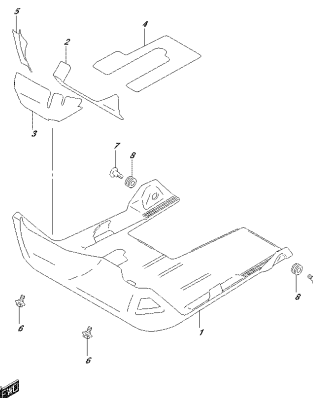
ELBOSOPREMI EYLE 474A
REAR FENDER

FIG.481A



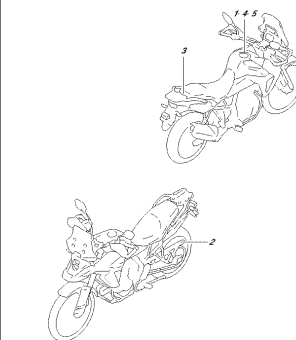
ELBOSOPREMI EYLE 481A
COMPLETE REAR FENDER

FIG.483A



ELBOSOPREMI EYLE 483A
UNDER COVER

FIG.496A



ELBOSOPREMI EYLE 496A
LABEL

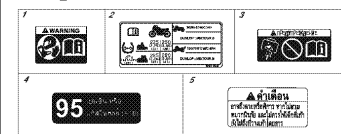
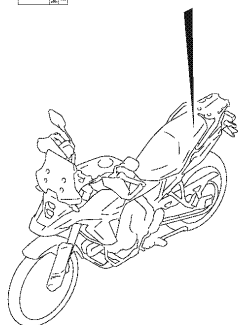
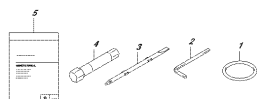
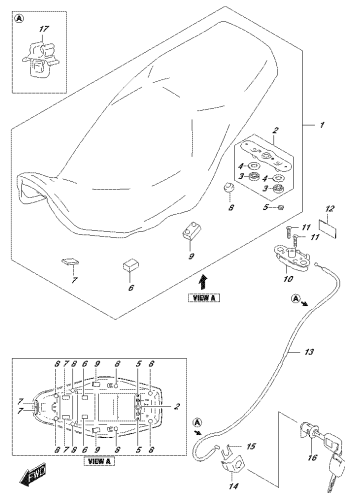


FIG.497A



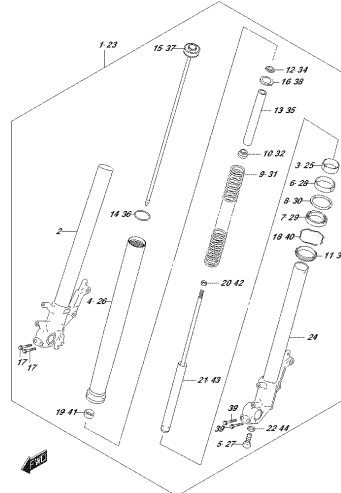
EL5000FRM1_E14_0174
HANDLEBARS

FIG.505A



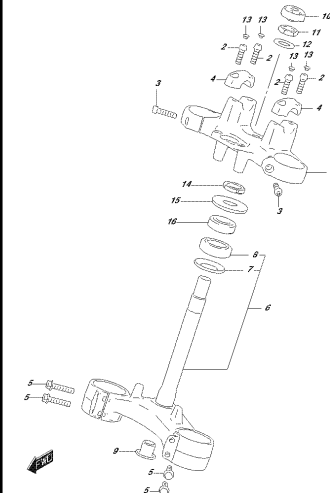
EL5000FRM1_E14_0184
FRONT FAIRING

FIG.521A



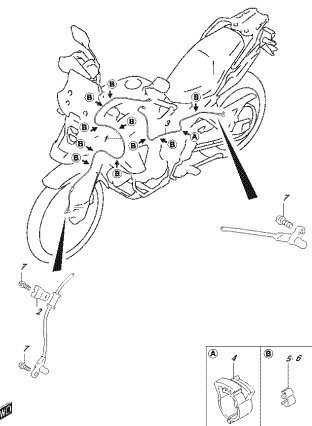
EL5000FRM1_E14_0214
FRONT FORK CHAMFER

FIG.524A



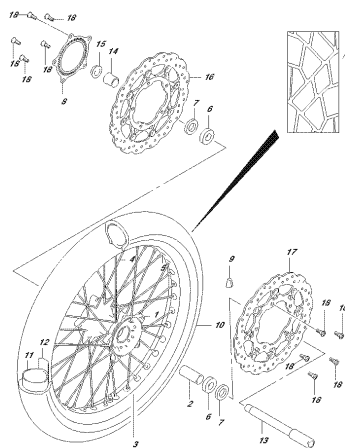
EL5000FRM1_E14_0214
STEERING STEM

FIG.526A



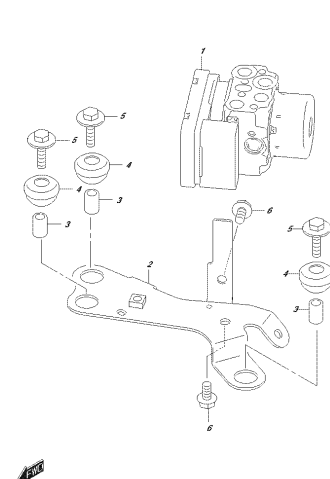
EL5000FRM1_E14_0204
SPEEDYRIDE

FIG.530A



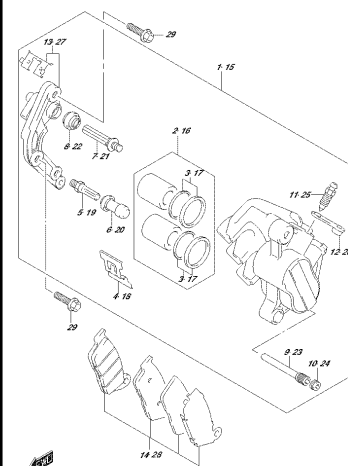
EL5000FRM1_E14_0204
FRONT WHEEL

FIG.533A



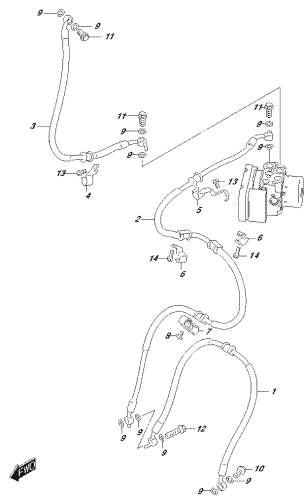
EL5000FRM1_E14_0204
HYDRAULIC CALIP

FIG.535A



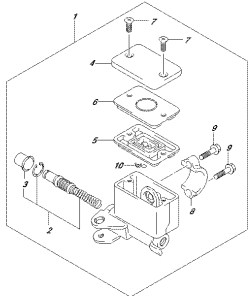
EL5000FRM1_E14_0204
FRONT CALIPER

FIG.536A



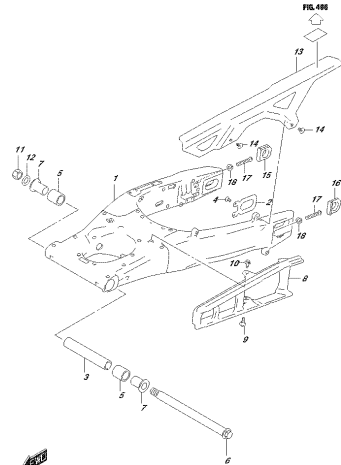
ELBRODIFRANK_E14_536A
REAR SUSPENSION

FIG.537A



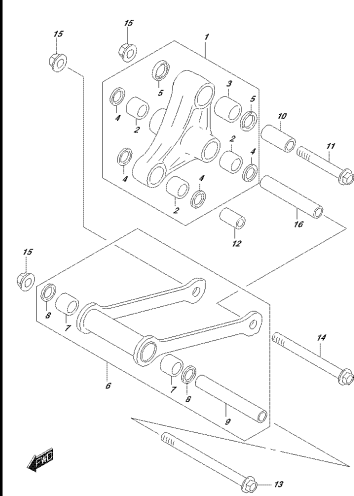
ELBRODIFRANK_E14_537A
REAR HUB/STEERING KNUCKLE

FIG.541A



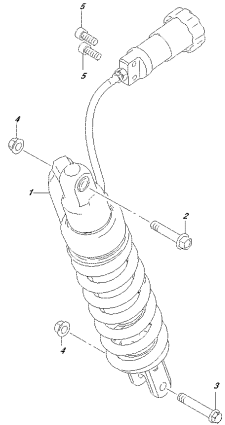
ELBRODIFRANK_E14_541A
REAR SWAYBAR/SHOCK

FIG.543A



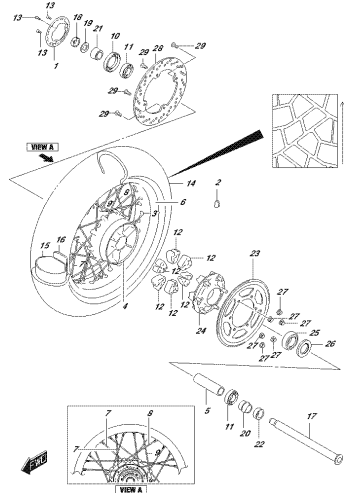
ELBRODIFRANK_E14_543A
REAR COIL-ON-LIFTER

FIG.545A



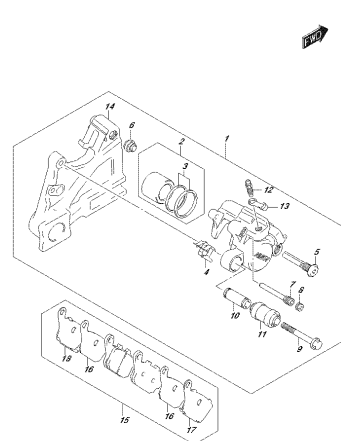
ELBRODIFRANK_E14_545A
REAR SWAYBAR ASSEMBLY

FIG.550A



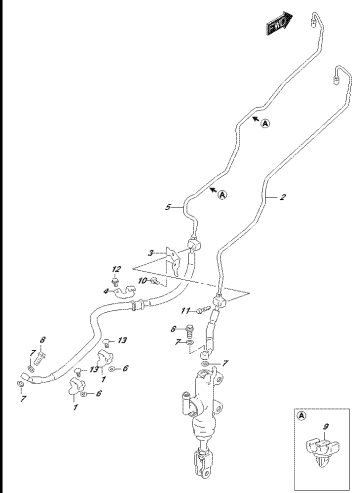
ELBRODIFRANK_E14_550A
REAR WHEEL

FIG.555A



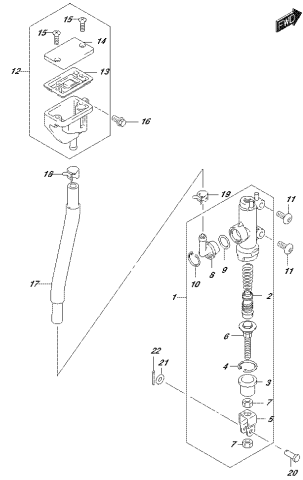
ELBRODIFRANK_E14_555A
REAR AXLE/PER

FIG.557A



ELBRODIFRANK_E14_557A
REAR SWAYBAR

FIG. 558A



CLASSIFICATION: FIG. 558A
REVISION: 001

FIG.101A

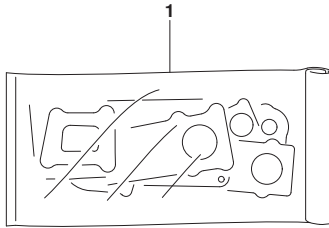
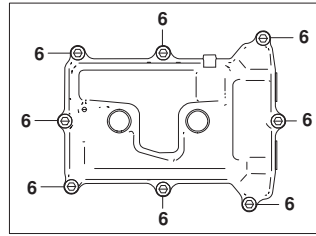


FIG.101A (1-B-2) GASKET SET

REF NO.	PART NO.	DESCRIPTION	Q'TY	REMARKS
1	11400-25820	GASKET SET	1	OPT
2	11141-25L10	.GASKET,CYLINDER HEAD	1	OPT,NOT ILLUSTRATED
3	11173-25L00	.GASKET,CYL HEAD COVER NO.1	1	OPT,NOT ILLUSTRATED
4	11177-25L00	.GASKET,BREATHER PLATE	1	OPT,NOT ILLUSTRATED
5	11178-33E00	.GASKET,CYL HEAD COVER NO.2	2	OPT,NOT ILLUSTRATED
6	11241-25L00	.GASKET,CYLINDER	1	OPT,NOT ILLUSTRATED
7	11482-25L00	.GASKET,CLUTCH COVER	1	OPT,NOT ILLUSTRATED
8	11483-25L00	.GASKET,MAGNETO COVER	1	OPT,NOT ILLUSTRATED
9	11489-25L00	.GASKET,OIL PAN	1	OPT,NOT ILLUSTRATED
10	12837-25L00	.GASKET,TENSIONER ADJUSTER	1	OPT,NOT ILLUSTRATED
11	14181-04K00	.GASKET,EXHAUST PIPE	2	OPT,NOT ILLUSTRATED
12	16611-48K00	.O-RING,OIL COOLER	1	OPT,NOT ILLUSTRATED
13	17421-25L00	.GASKET,WATER PUMP	1	OPT,NOT ILLUSTRATED
14	17431-25L00	.O-RING,WATER PUMP	1	OPT,NOT ILLUSTRATED
15	17861-25L00	.O-RING,WATER CONNECTOR	1	OPT,NOT ILLUSTRATED

FIG.102A



VIEW A

FIG.102A (1-B-3) CYLINDER HEAD COVER

REF NO.	PART NO.	DESCRIPTION	Q'TY	REMARKS
1	11170-25L00	COVER,CYLINDER HEAD	1	
2	11173-25L00	GASKET,CYL HEAD COVER NO.1	1	
3	11176-25L00	PLATE,BREATHER	1	
4	11177-25L00	GASKET,BREATHER PLATE	1	
5	11178-33E00	GASKET,CYL HEAD COVER NO.2	2	
6	11178-69L00	BOLT,CYLINDER HEAD COVER	8	
7	09100-05022	BOLT,BREATHER PLATE	5	

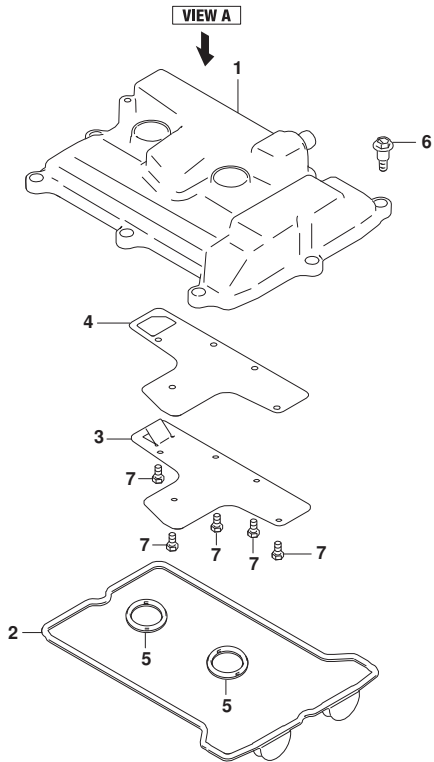
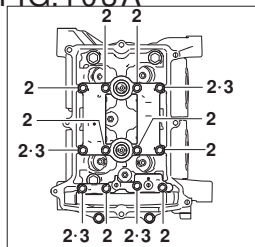
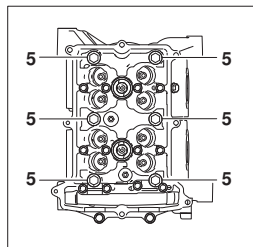


FIG.103A



VIEW A



VIEW B

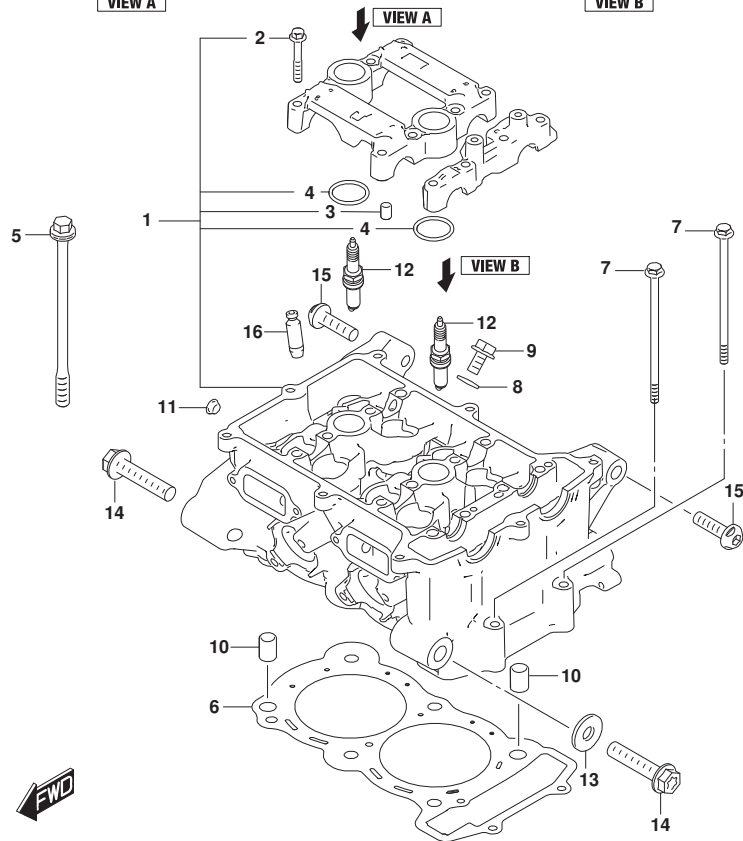


FIG.103A (1-B-4) CYLINDER HEAD

REF NO.	PART NO.	DESCRIPTION	Q'TY	REMARKS
1	11100-25L00	HEAD ASSY,CYLINDER	1	
2	09103-06266	.BOLT (6X40)	12	
3	09206-08001	.PIN (8X11)	4	
4	09280-26007	.O-RING (ID:25.7,DD:2.4)	2	
5	11117-44H00	BOLT,CYL HEAD (L:160)	6	
6	11141-25L10	GASKET,CYLINDER HEAD	1	
7	09103-06148	BOLT (6X120)	2	
8	09168-06023	GASKET (5.8X13X1.2)	1	
9	01550-0612A	BOLT	1	
10	04211-13189	PIN (10.4X13X18)	2	
11	09250-08012	CAP (OD:12)	1	
12	09482-00635	PLUG,SPARK (LMAR8BI-9)	2	
13	11611-25L00	WASHER,ENG MTG FR,L	1	
14	09103-12145	BOLT,ENG MTG HEAD	2	
15	09106-10102	BOLT,ENG MTG HEAD	2	
16	11115-25L70	GUIDE,VALVE OS 0.3	8	OPT

FIG.107A

FIG.107A (1-B-5) CYLINDER

REF NO.	PART NO.	DESCRIPTION	Q'TY	REMARKS
1	11210-25L00-0F0	CYLINDER	1	
2	11241-25L00	GASKET,CYLINDER	1	
3	04211-11169	PIN	2	

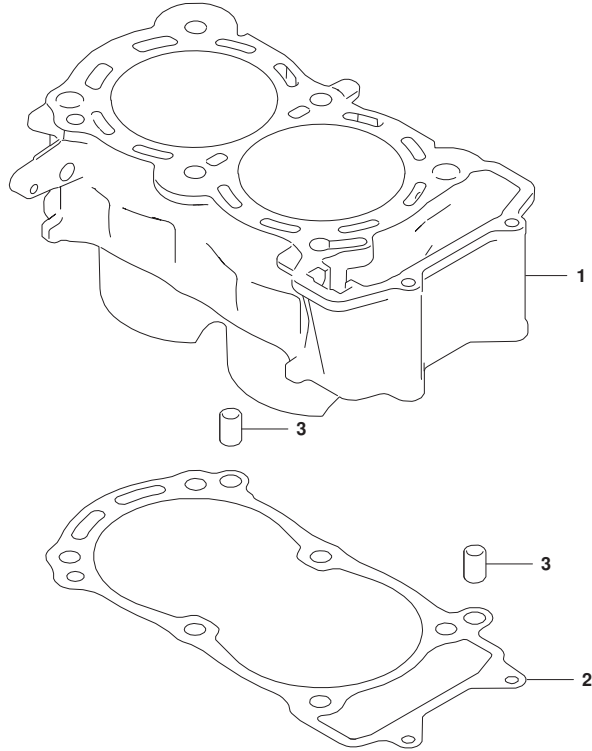


FIG.108A

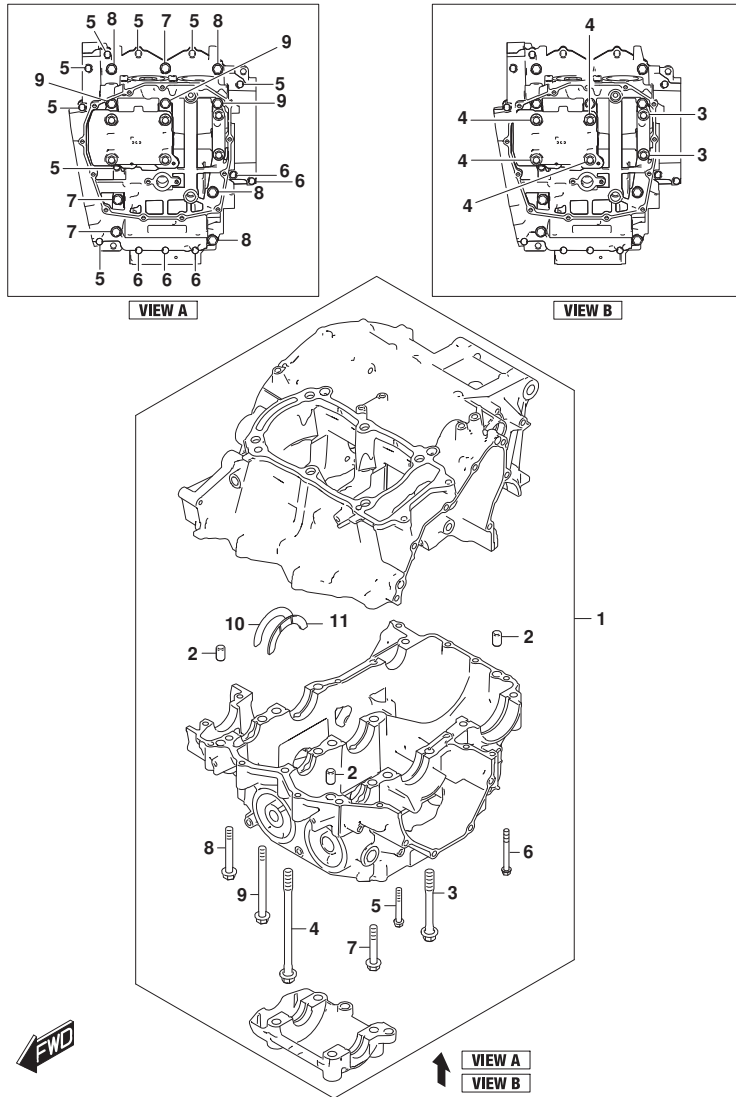


FIG.108A (1-B-6) CRANKCASE

REF NO.	PART NO.	DESCRIPTION	Q'TY	REMARKS
1	11300-25820	CRANKCASE SET	1	
2	11319-33E50	.PIN,CRANKCASE	5	
3	11322-25L00	.BOLT,CRANKCASE	2	
4	11323-25L00	.BOLT,CRANKCASE	4	
5	01547-0645A	.BOLT	8	
6	01547-0655A	.BOLT	5	
7	01550-0850A	.BOLT	3	
8	01550-0860A	.BOLT	4	
9	01550-0895A	.BOLT	3	
10	12228-24F00-0D0	.BEARING,CRANK THRUST (GREEN)	1	RH
11-1	12228-24F00-0A0	.BEARING,CRANK THRUST,L (RED)	1	
11-2	12228-24F00-0B0	.BEARING,CRANK THRUST,L (BLACK)	1	
11-3	12228-24F00-0C0	.BEARING,CRANK THRUST,L (BLUE)	1	
11-4	12228-24F00-0D0	.BEARING,CRANK THRUST (GREEN)	1	LH
11-5	12228-24F00-0E0	.BEARING,CRANK THRUST,L (YELLOW)	1	
11-6	12228-24F00-0F0	.BEARING,CRANK THRUST,L (WHITE)	1	

FIG.109A

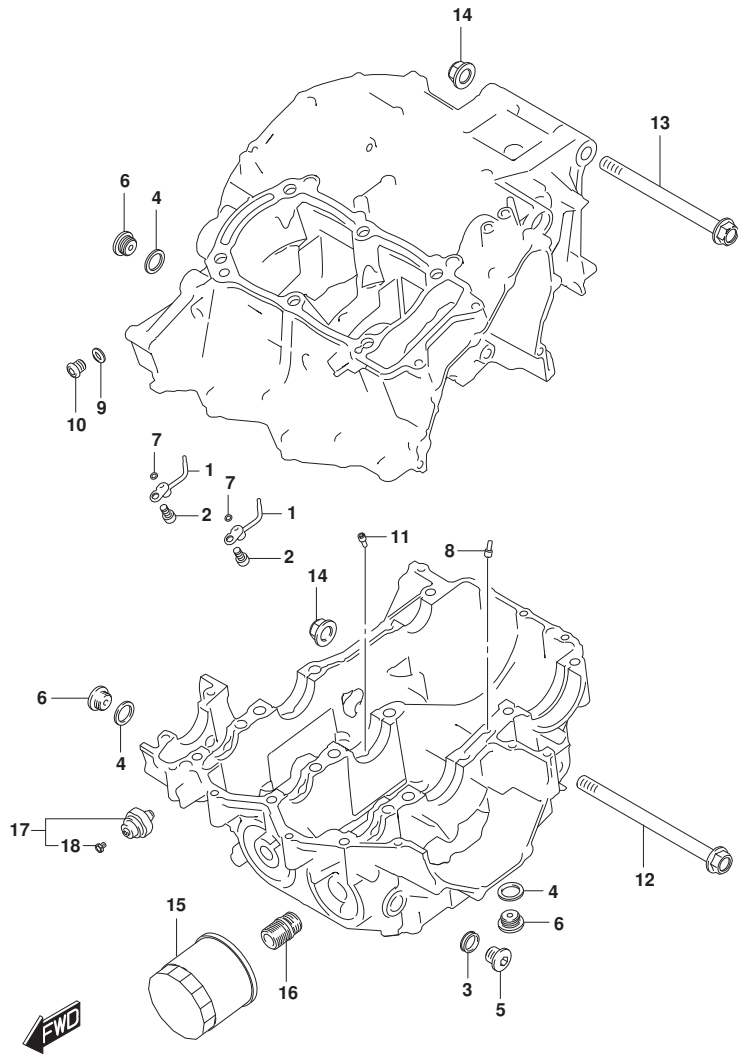


FIG.109A (1-B-7) CRANKCASE (2)

REF NO.	PART NO.	DESCRIPTION	Q'TY	REMARKS
1	11390-25L00	JET,PISTON COOLING	2	
2	09106-06075	BOLT (6X12)	2	
3	09168-14002	GASKET (13.8X18.8X4.8)	1	
4	09168-16002	GASKET (16X22X2)	3	
5	09248-14011	PLUG (14X12)	1	
6	09248-16012	PLUG (16X8)	3	
7	09280-04004	O-RING (D:1.2,ID:4)	2	
8	09493-28012	JET (#140)	1	
9	09168-10002	GASKET (10X14X3.6)	1	
10	09248-10010	PLUG (10X10)	1	
11	09493-22010	JET,AIR	1	
12	09103-12143	BOLT,ENG MTG	1	
13	09103-12144	BOLT,ENG MTG	1	
14	09159-12072	NUT	2	
15	16510-07J00	FILTER ASSY,ENGINE OIL (P1.0)	1	
16	16591-06B01	UNION,OIL STAND	1	
17	37820-33D11	SWITCH ASSY,OIL PRESSURE	1	
18	37822-33D00	.BOLT,OIL PRESSURE SWITCH	1	

FIG.113A

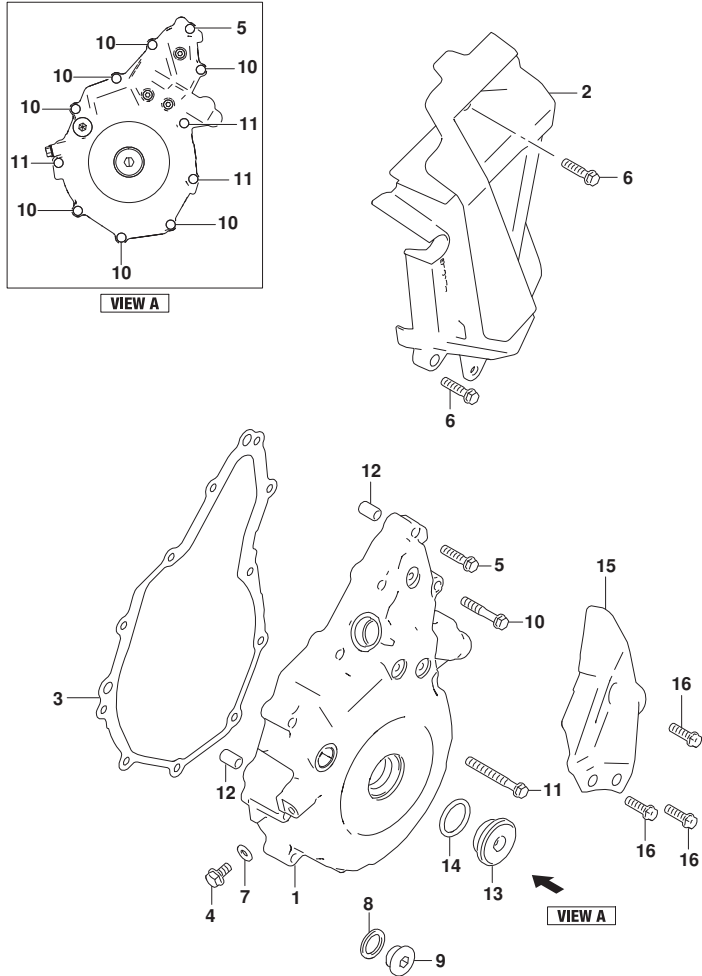
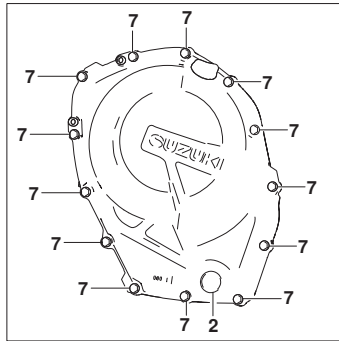


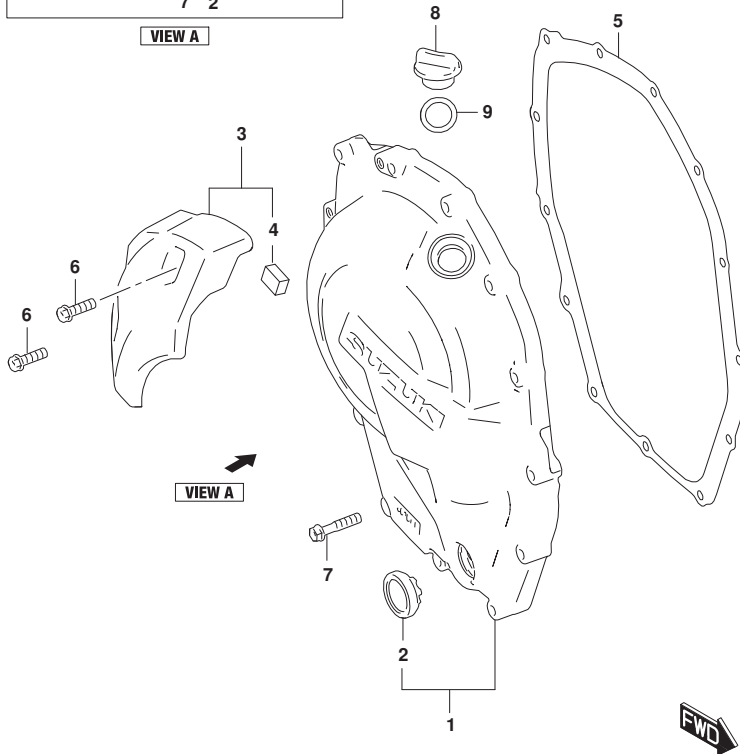
FIG.113A (1-B-8) MAGNETO COVER

REF NO.	PART NO.	DESCRIPTION	Q'TY	REMARKS
1	11351-25L00	COVER,MAGNETO	1	
2	11360-25L00	COVER,ENG SPROCKET	1	
3	11483-25L00	GASKET,MAGNETO COVER	1	
4	09103-06222	BOLT (6X12)	1	
5	09103-06528	BOLT (6X25)	1	
6	09135-06035	BOLT,SPROCKET COVER	2	
7	09168-06018	GASKET (6.2X13X1.2)	1	
8	09168-16002	GASKET (16X22X2)	1	
9	09248-16012	PLUG (16X8)	1	
10	09103-06530	BOLT (L:35)	7	
11	09103-06533	BOLT,CRANKCASE (6X50)	3	
12	04211-09149	PIN (8.5X18X2.3)	2	
13	09259-26012	PLUG	1	
14	09280-22008	O-RING (D:3.1,ID:22.7)	1	
15	11380-25L00	PROTECTOR,MAGNETO COVER	1	
16	09103-06527	BOLT (6X20)	3	

FIG.114A



VIEW A



VIEW A

FIG.114A (1-B-9) CLUTCH COVER

REF NO.	PART NO.	DESCRIPTION	Q'TY	REMARKS
1	11340-25L00	COVER,CLUTCH	1	
2	11971-48H00	.LENS,OIL LEVEL CHECK	1	
3	11370-25L00	PROTECTOR,CLUTCH COVER	1	
4	94531-20K00	.CUSHION,UNDER COWL	2	
5	11482-25L00	GASKET,CLUTCH COVER	1	
6	09103-06527	BOLT (6X20)	2	
7	09103-06529	BOLT (6X30)	13	
8	09259-20008-XC0	PLUG	1	
9	09280-17003	O-RING (D:3.1,ID:16.8)	1	

FIG.116A

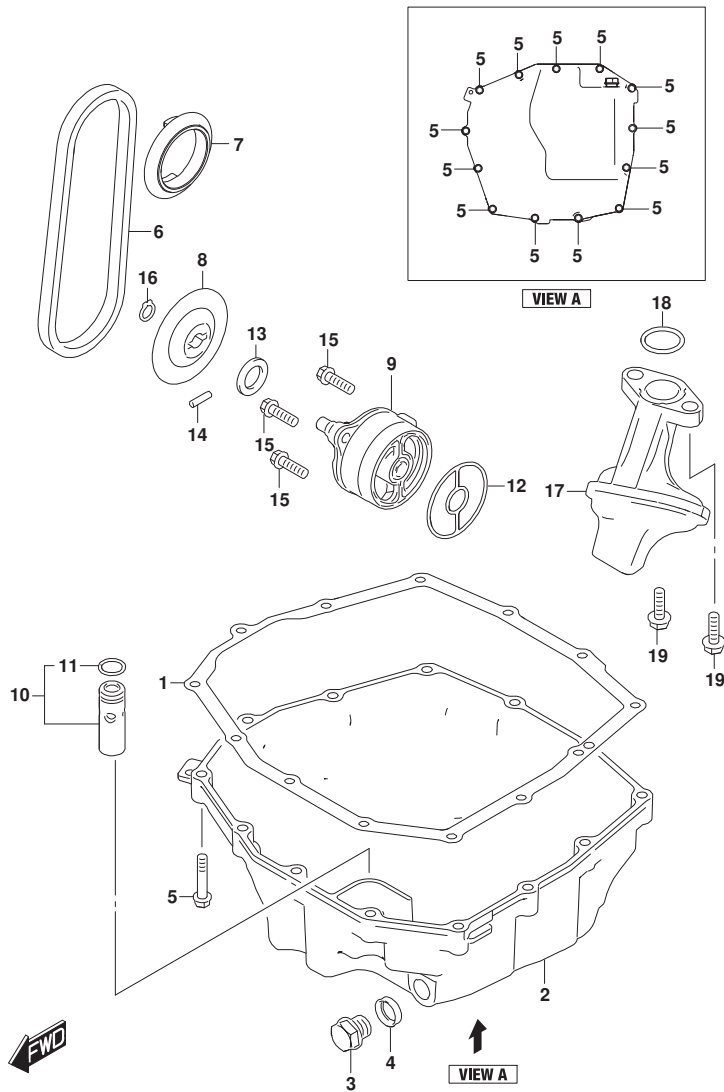


FIG.116A (1-B-10) OIL PAN/OIL PUMP

REF NO.	PART NO.	DESCRIPTION	Q'TY	REMARKS
1	11489-25L00	GASKET,OIL PAN	1	
2	11511-25L00	PAN,OIL	1	
3	09247-14036	PLUG (14X20)	1	OIL DRAIN
4	09168-14002	GASKET (13.8X18.8X4.8)	1	OIL DRAIN
5	01547-0630A	BOLT	13	
6	16310-25L00	CHAIN ASSY,OIL PUMP DRIVE	1	
7	16321-01H00	SPROCKET,OIL PUMP DRIVE (NT:27)	1	
8	16331-25L00	SPROCKET,OIL PUMP DRIVEN	1	
9	16400-25L00	PUMP ASSY,ENG OIL	1	
10	16440-24F00	VALVE ASSY,OIL RELIEF (7K)	1	
11	09280-13004	.O-RING (D:1.9,ID:13)	1	
12	16491-33E00	O-RING,OIL PUMP	1	
13	09181-10158	SHIM (10X18X0.5)	1	
14	09261-04009	PIN (4X15.8)	1	
15	01547-0620A	BOLT	3	
16	08331-31109	CIRCLIP	1	
17	16520-25L00	STRAINER,ENG OIL	1	
18	09280-22024	O-RING,OIL STRAINER	1	
19	01550-0620A	BOLT (6X20)	2	

FIG.120A

FIG.120A (1-B-11) CRANKSHAFT

REF NO.	PART NO.	DESCRIPTION	Q'TY	REMARKS
1	12111-25L00-0F0	PISTON	2	
2	12140-25L00	RING SET,PISTON	2	
3	12151-07D10	PIN,PISTON	2	
4	09381-18002	CIRCLIP (OD:20.5)	4	
5	12160-25L00	CONNROD ASSY	2	
6	12163-24F10	.BOLT,CONNECTING ROD	4	
7	04221-04089	.PIN (4X13.8)	4	
8-1	12164-46E10-0A0	BEARING,CRANK PIN (GREEN)	4	
8-2	12164-46E10-0B0	BEARING,CRANK PIN (BLACK)	4	
8-3	12164-46E10-0C0	BEARING,CRANK PIN (BROWN)	4	
8-4	12164-46E10-0D0	BEARING,CRANK PIN (YELLOW)	4	
9	12000-25810	CRANKSHAFT SET	1	
10	12228-24F00-0D0	BEARING,CRANK THRUST (GREEN)	1	
11-1	12228-24F00-0A0	BEARING,CRANK THRUST,L (RED)	1	
11-2	12228-24F00-0B0	BEARING,CRANK THRUST,L (BLACK)	1	
11-3	12228-24F00-0C0	BEARING,CRANK THRUST,L (BLUE)	1	
11-4	12228-24F00-0D0	BEARING,CRANK THRUST (GREEN)	1	
11-5	12228-24F00-0E0	BEARING,CRANK THRUST,L (YELLOW)	1	
11-6	12228-24F00-0F0	BEARING,CRANK THRUST,L (WHITE)	1	
12-1	12229-25L00-0A0	BEARING,CRANKSHAFT	6	
12-2	12229-25L00-0B0	BEARING,CRANKSHAFT	6	
12-3	12229-25L00-0C0	BEARING,CRANKSHAFT	6	
12-4	12229-25L00-0D0	BEARING,CRANKSHAFT	6	
12-5	12229-25L00-0E0	BEARING,CRANKSHAFT	6	
13	21111-25L00	GEAR,PRIMARY DRIVE	1	
14	21112-25L00	GEAR,PRIMARY DRIVE SCISSORS	1	
15	21114-25L00	WASHER,PRI DRIVE SCISSORS WAVE	1	
16	09440-07081	SPRING,PRI SCISSORS GEAR	1	
17	08331-31409	CIRCLIP	1	
18	09103-10338	BOLT (10X19)	1	
19	21121-25L00	SPACER,PRIMARY DRIVE GEAR	1	

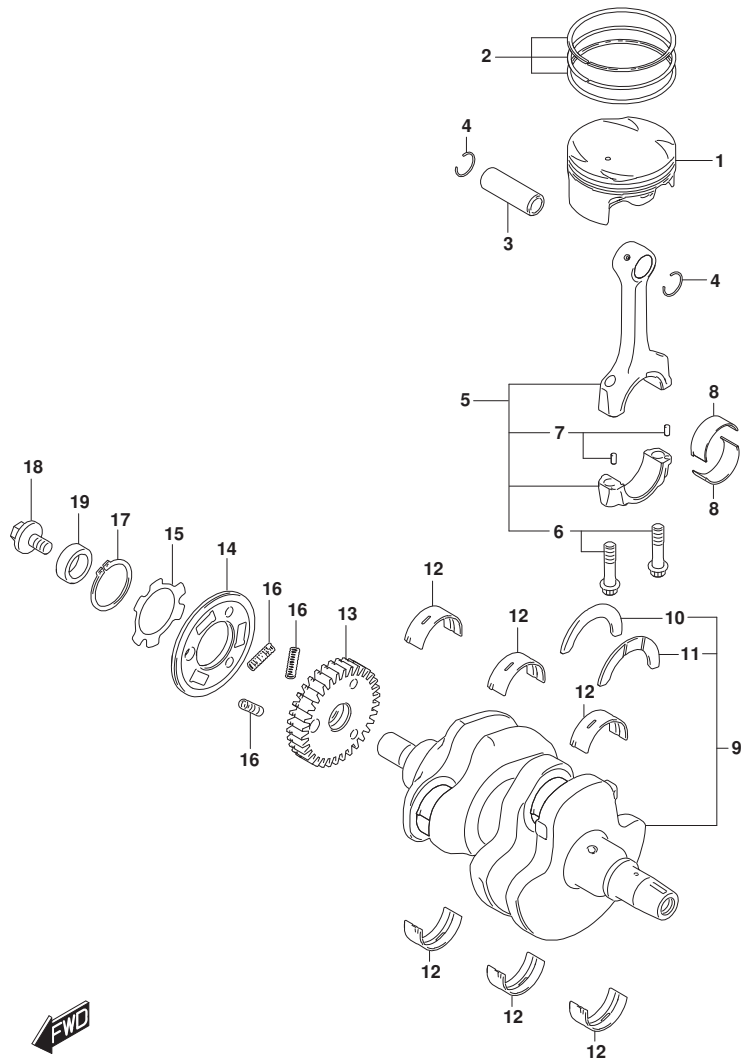


FIG.122A

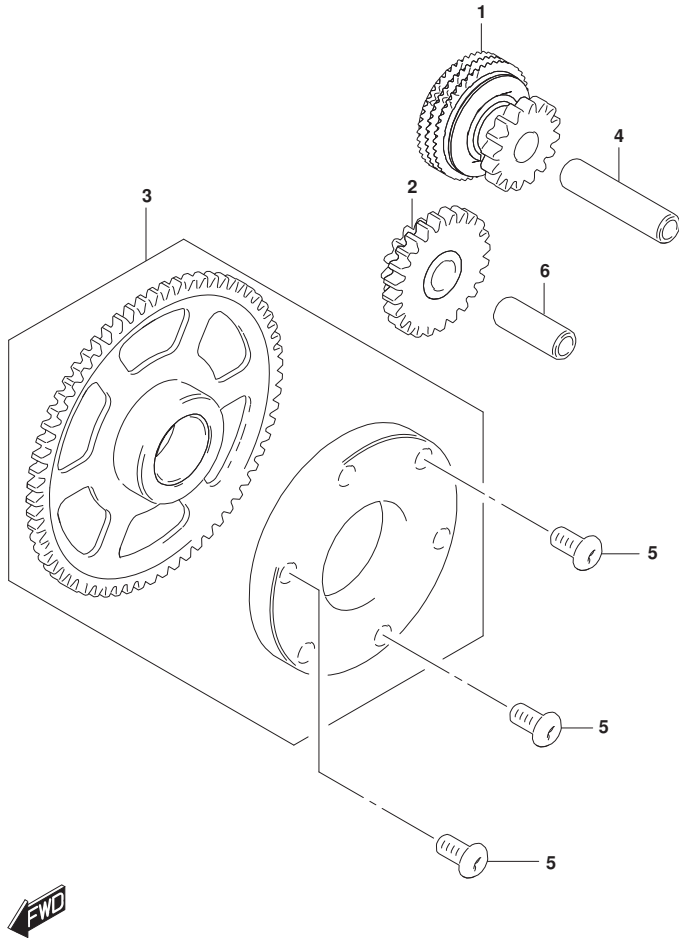


FIG.122A (1-B-12) STARTER CLUTCH

REF NO.	PART NO.	DESCRIPTION	Q'TY	REMARKS
1	12600-25L00	LIMITER ASSY,START ID GR NO.1	1	
2	12610-25L00	GEAR,STARTER IDLE NO.2	1	
3	12600-25830	CLUTCH SET,STARTER	1	
4	12615-24F00	PIN,STARTER IDLE GEAR NO.1	1	
5	12615-25L00	BOLT,STARTER CLUTCH	3	
6	09206-12007	PIN (8X12X33)	1	

FIG.124A

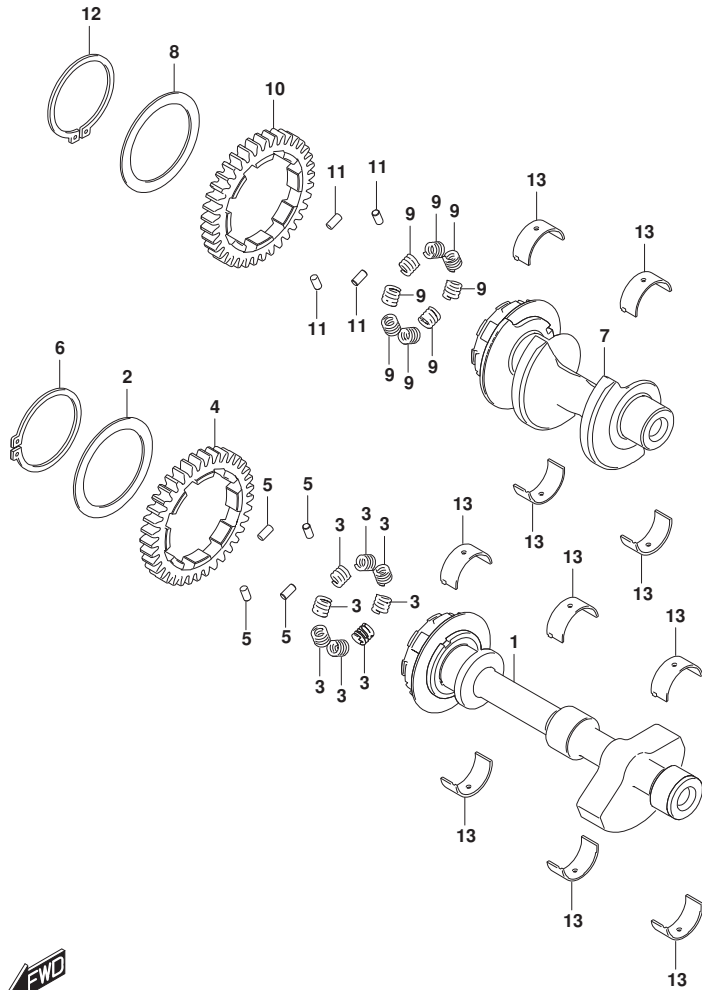


FIG.124A (1-B-13) CRANK BALANCER

REF NO.	PART NO.	DESCRIPTION	Q'TY	REMARKS
1	12601-25L00	BALANCER,CRANK NO.1	1	
2	12662-25L10	WASHER,CRK BAL DRIVEN GR NO.2	1	
3	12663-25L00	SPRING,CRANK BAL DRIVEN GEAR	8	
4	12666-25L00	GEAR,CRANK BALANCER DRIVEN	1	
5	09202-04017	PIN (4.5X9.5)	4	
6	08331-31529	CIRCLIP	1	
7	12602-25L00	BALANCER,CRANK NO.2	1	
8	12662-25L10	WASHER,CRK BAL DRIVEN GR NO.2	1	
9	12663-25L00	SPRING,CRANK BAL DRIVEN GEAR	8	
10	12666-25L00	GEAR,CRANK BALANCER DRIVEN	1	
11	09202-04017	PIN (4.5X9.5)	4	
12	08331-31529	CIRCLIP	1	
13-1	12229-25L10-0A0	BEARING,CRANK BALANCER	10	
13-2	12229-25L10-0B0	BEARING,CRANK BALANCER	10	
13-3	12229-25L10-0C0	BEARING,CRANK BALANCER	10	
13-4	12229-25L10-0D0	BEARING,CRANK BALANCER	10	

FIG.126A

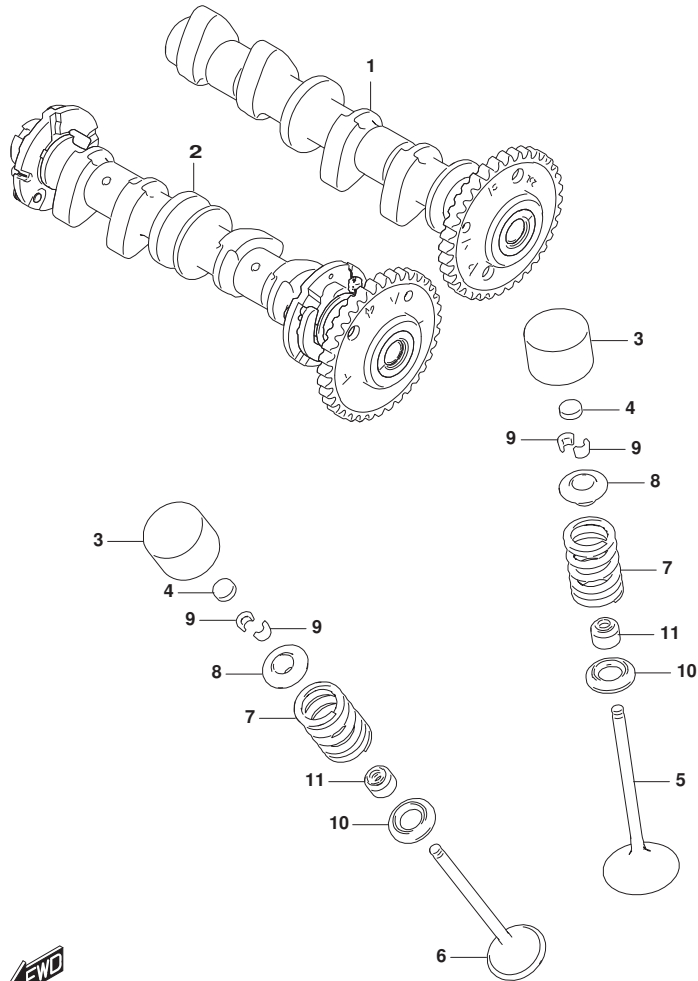


FIG.126A (1-B-14) CAMSHAFT/VALVE

REF NO.	PART NO.	DESCRIPTION	Q'TY	REMARKS
1	12701-25L00	CAMSHAFT,INTAKE	1	
2	12702-25L00	CAMSHAFT,EXHAUST	1	
3	12891-02F10	TAPPET	8	
4-1	12892-41C00-230	SHIM,TAPPET (T:2.30)	8	
4-2	12892-41C00-232	SHIM,TAPPET (T:2.32)	8	
4-3	12892-41C00-235	SHIM,TAPPET (T:2.35)	8	
4-4	12892-41C00-238	SHIM,TAPPET (T:2.38)	8	
4-5	12892-41C00-240	SHIM,TAPPET (T:2.40)	8	
4-6	12892-41C00-242	SHIM,TAPPET (T:2.42)	8	
4-7	12892-41C00-245	SHIM,TAPPET (T:2.45)	8	
4-8	12892-41C00-248	SHIM,TAPPET (T:2.48)	8	
4-9	12892-41C00-250	SHIM,TAPPET (T:2.50)	8	
4-10	12892-41C00-252	SHIM,TAPPET (T:2.52)	8	
4-11	12892-41C00-255	SHIM,TAPPET (T:2.55)	8	
4-12	12892-41C00-258	SHIM,TAPPET (T:2.58)	8	
4-13	12892-41C00-260	SHIM,TAPPET (T:2.60)	8	
4-14	12892-41C00-262	SHIM,TAPPET (T:2.62)	8	
4-15	12892-41C00-265	SHIM,TAPPET (T:2.65)	8	
4-16	12892-41C00-268	SHIM,TAPPET (T:2.68)	8	
4-17	12892-41C00-270	SHIM,TAPPET (T:2.70)	8	
4-18	12892-41C00-272	SHIM,TAPPET (T:2.72)	8	
4-19	12892-41C00-275	SHIM,TAPPET (T:2.75)	8	
4-20	12892-41C00-278	SHIM,TAPPET (T:2.78)	8	
4-21	12892-41C00-280	SHIM,TAPPET (T:2.80)	8	
4-22	12892-41C00-282	SHIM,TAPPET (T:2.82)	8	
4-23	12892-41C00-285	SHIM,TAPPET (T:2.85)	8	
4-24	12892-41C00-288	SHIM,TAPPET (T:2.88)	8	
4-25	12892-41C00-290	SHIM,TAPPET (T:2.90)	8	
4-26	12892-41C00-292	SHIM,TAPPET (T:2.92)	8	
4-27	12892-41C00-295	SHIM,TAPPET (T:2.95)	8	
4-28	12892-41C00-298	SHIM,TAPPET (T:2.98)	8	
4-29	12892-41C00-300	SHIM,TAPPET (T:3.00)	8	
4-30	12892-41C00-302	SHIM,TAPPET (T:3.02)	8	
4-31	12892-41C00-305	SHIM,TAPPET (T:3.05)	8	
4-32	12892-41C00-308	SHIM,TAPPET (T:3.08)	8	

FIG.126A

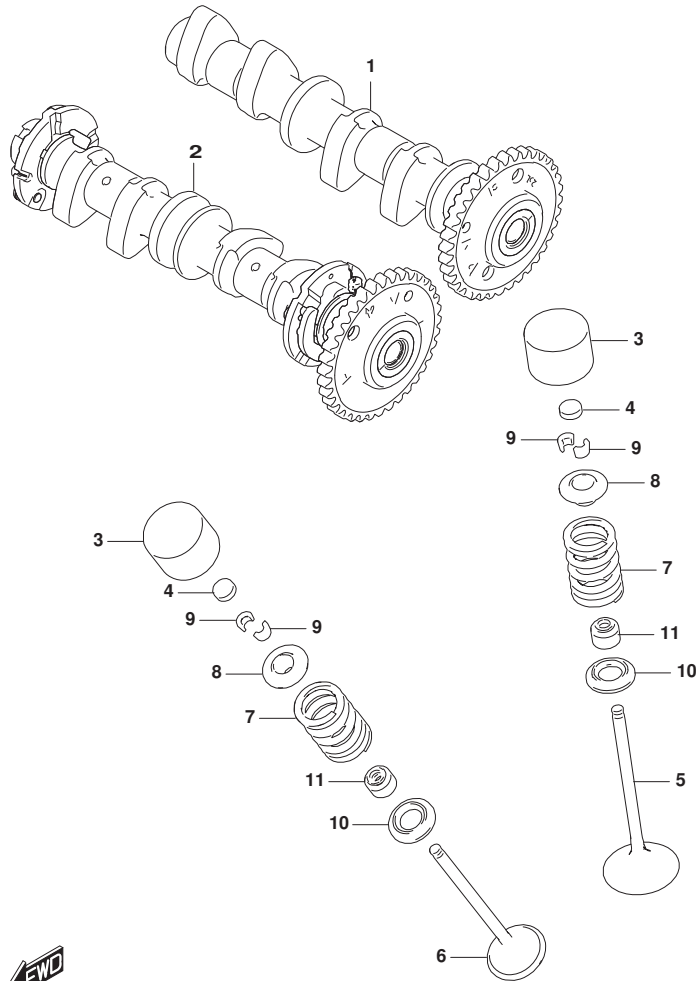


FIG.126A (1-B-15) CAMSHAFT/VALVE

REF NO.	PART NO.	DESCRIPTION	Q'TY	REMARKS
4-33	12892-41C00-310	SHIM,TAPPET (T:3.10)	8	
4-34	12892-41C00-312	SHIM,TAPPET (T:3.12)	8	
4-35	12892-41C00-315	SHIM,TAPPET (T:3.15)	8	
4-36	12892-41C00-318	SHIM,TAPPET (T:3.18)	8	
4-37	12892-41C00-320	SHIM,TAPPET (T:3.20)	8	
4-38	12892-41C00-322	SHIM,TAPPET (T:3.22)	8	
4-39	12892-41C00-325	SHIM,TAPPET (T:3.25)	8	
4-40	12892-41C00-328	SHIM,TAPPET (T:3.28)	8	
4-41	12892-41C00-330	SHIM,TAPPET (T:3.30)	8	
4-42	12892-41C00-332	SHIM,TAPPET (T:3.32)	8	
4-43	12892-41C00-335	SHIM,TAPPET (T:3.35)	8	
4-44	12892-41C00-338	SHIM,TAPPET (T:3.38)	8	
4-45	12892-41C00-340	SHIM,TAPPET (T:3.40)	8	
4-46	12892-41C00-342	SHIM,TAPPET (T:3.42)	8	
4-47	12892-41C00-345	SHIM,TAPPET (T:3.45)	8	
4-48	12892-41C00-348	SHIM,TAPPET (T:3.48)	8	
4-49	12892-41C00-350	SHIM,TAPPET (T:3.50)	8	
5	12911-25L00	VALVE,INTAKE	4	
6	12912-25L00	VALVE,EXHAUST	4	
7	12921-25L00	SPRING,VALVE	8	
8	12931-41K00	RETAINER,VALVE SPRING	8	
9	12932-27A00	COTTER,VALVE	16	
10	12933-25L00	SEAT,VALVE SPRING	8	
11	12934-69L00	SEAL,VALVE STEM	8	
12	12800-41810	SHIM SET,TAPPET (5PCS.EACH)	1	OPT,NOT ILLUSTRATED
13	99000-69471	.CASE,TAPPET SHIM	1	OPT,NOT ILLUSTRATED

FIG.127A

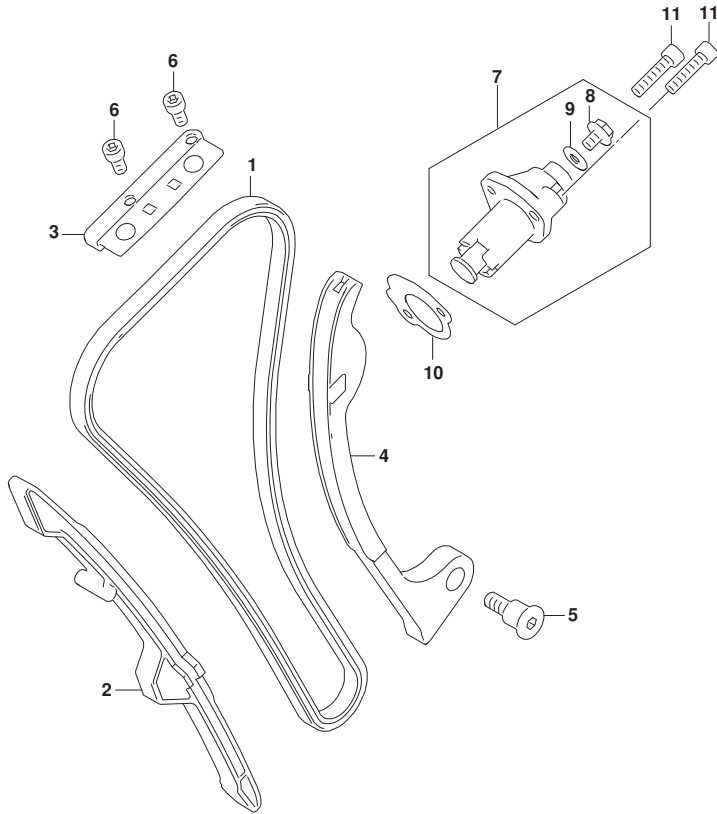


FIG.127A (1-B-16) CAM CHAIN

REF NO.	PART NO.	DESCRIPTION	Q'TY	REMARKS
1	12760-25L00	CHAIN,CAMSHAFT DRIVE	1	
2	12771-25L00	GUIDE,CAM CHAIN NO.1	1	
3	12782-25L00	GUIDE,CAM CHAIN NO.2	1	
4	12811-25L00	TENSIONER,CAM CHAIN	1	
5	12812-31G00	BOLT,CAM CHAIN TENSIONER	1	
6	07130-0612A	BOLT	2	
7	12830-25L00	ADJUSTER ASSY,TENSIONER	1	
8	12833-25L00	.PLUG,TENSIONER ADJUSTER	1	
9	12837-49H00	.GASKET, TENSIONER ADJUSTER	1	
10	12837-25L00	GASKET,TENSIONER ADJUSTER	1	
11	07130-0625B	BOLT	2	



FIG.140A

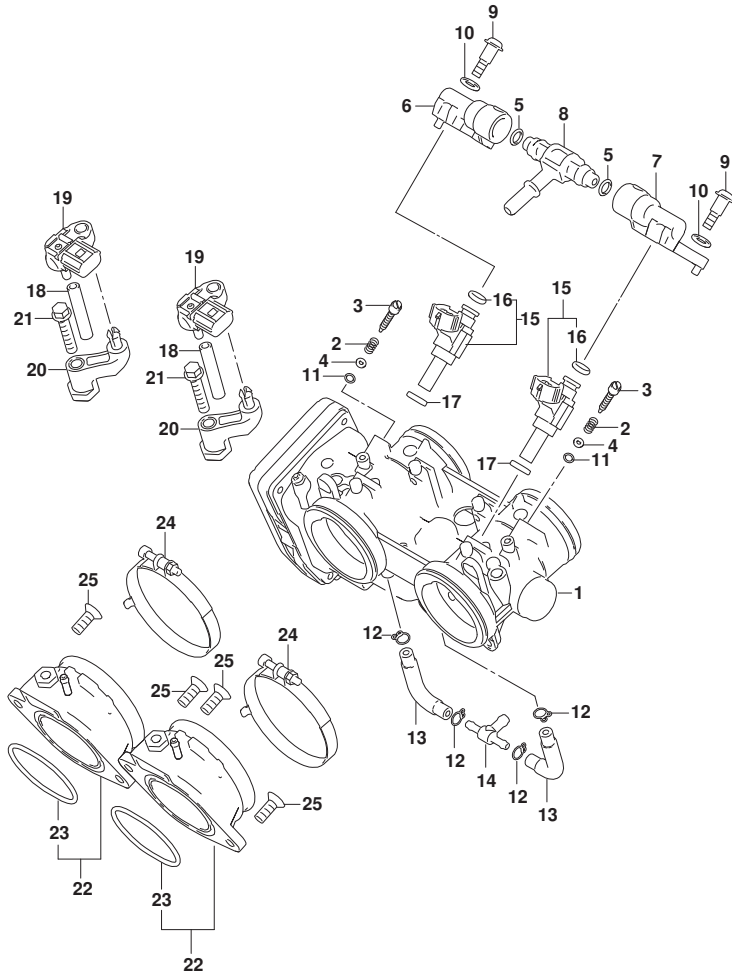


FIG.140A (1-C-2) THROTTLE BODY

REF NO.	PART NO.	DESCRIPTION	Q'TY	REMARKS
1	13400-25L00	THROTTLE BODY ASSY	1	
2	13268-48700	.SPRING,THROTTLE SCREW	2	
3	13269-33E00	.SCREW	2	
4	13295-29901	.O-RING	2	
5	13374-32G00	.O-RING	2	
6	13471-25L00	.DELIVERY PIPE	1	
7	13472-25L00	.DELIVERY PIPE	1	
8	13473-25L00	.NIPPLE	1	
9	13601-11J00	.SCREW	2	
10	13602-29G01	.PACKING	2	
11	13606-47A00	.WASHER	2	
12	13671-12C00	.CLIP	4	
13	13682-25L00	.HOSE	2	
14	13685-04F10	.NIPPLE	1	
15	15710-17K00	.INJECTOR ASSY	2	
16	15717-58B00	.O-RING	2	
17	15722-14J00	.SEAL	2	
18	09355-35007-030	HOSE,VACUUM	2	
19	18590-18K10	SENSOR,BOOST	2	
20	18596-25L00	BRACKET,AIR PRESSURE SENSOR	2	
21	01547-0630A	BOLT	2	
22	13101-25L00	PIPE ASSY,INTAKE	2	
23	13127-25L00	O-RING,INTAKE PIPE	2	
24	13170-25L00	CLAMP,INTAKE PIPE	2	
25	02122-0616A	SCREW	4	



FIG.155A

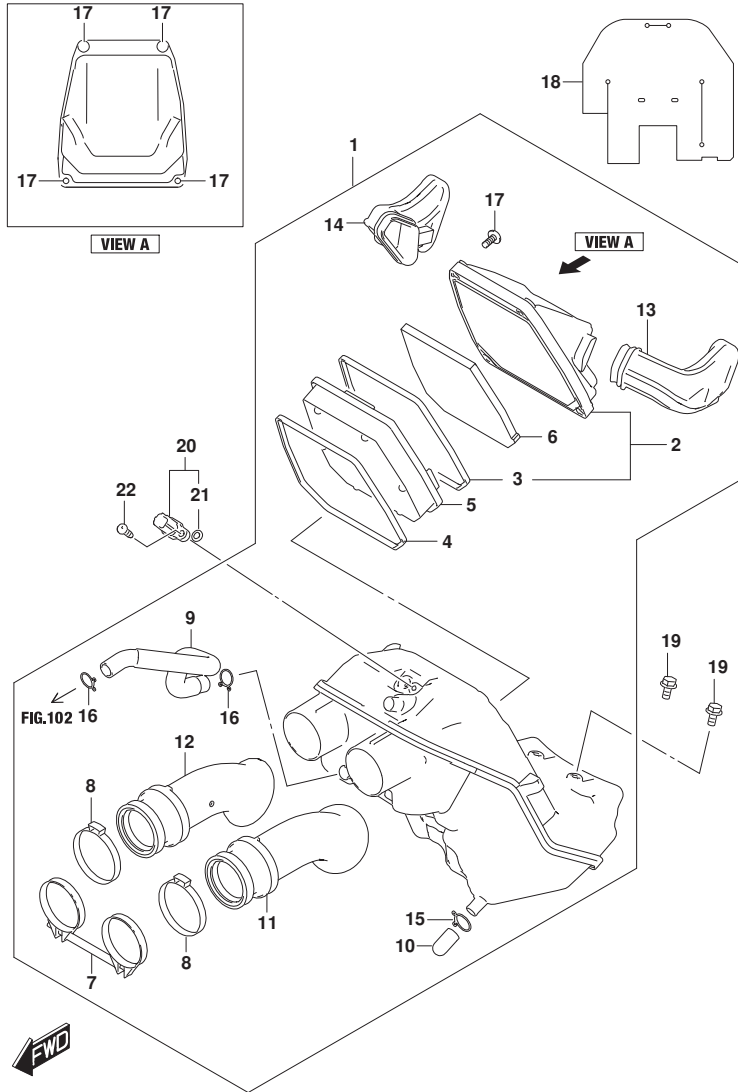


FIG.155A (1-C-3) AIR CLEANER

REF NO.	PART NO.	DESCRIPTION	Q'TY	REMARKS
1	13700-25L00	CLEANER ASSY,AIR	1	
2	13741-25L00	.CAP,AIR CLNR	1	
3	13746-25L00	.GASKET FILTER	1	
4	13746-25L00	.GASKET FILTER	1	
5	13780-25L00	.FILTER AIR CLNR	1	
6	13786-25L00	.PREFILTER	1	
7	13826-25L00	.CLAMP,AIR CLNR	1	
8	13827-25L00	.BAND,FRONT	2	
9	13853-25L00	.TUBE,BREATHER	1	
10	13878-10G01	.PLUG	1	
11	13881-25L00	.TUBE,OUTLET L	1	
12	13882-25L00	.TUBE,OUTLET R	1	
13	13891-25L00	.TUBE,INLET L	1	
14	13892-25L00	.TUBE,INLET R	1	
15	09401-14301	.CLIP	1	
16	09401-16401	.CLIP (ID:16.5)	2	
17	02142-0520A	.SCREW	4	
18	13841-25L00	SHEET,AIR CLEANER INLET	1	
19	01550-0612A	BOLT	2	
20	13650-41F10	SENSOR,AIR TEMP	1	
21	13655-41F10	O-RING	1	
22	03511-0516A	SCREW	1	

FIG.163A

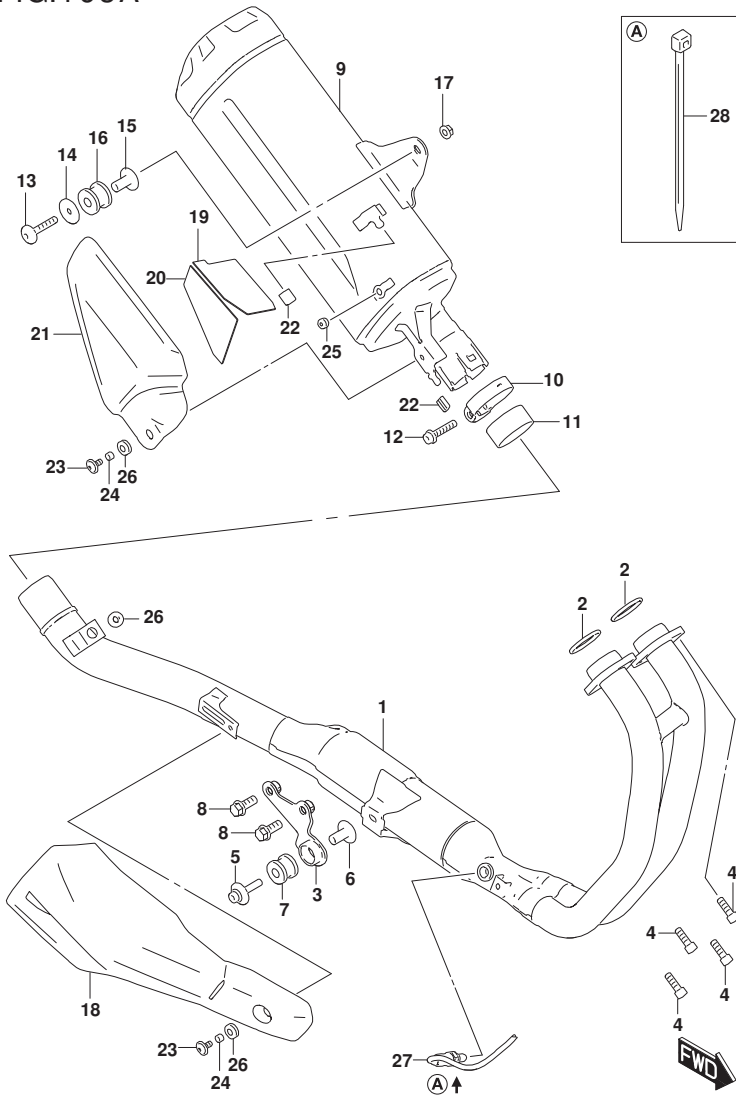


FIG.163A (1-C-4) MUFFLER

REF NO.	PART NO.	DESCRIPTION	Q'TY	REMARKS
1	14100-25LG0	EXHAUST	1	
2	14181-04K00	GASKET,EXHAUST PIPE	2	
3	14770-25LG0	BRACKET,EXH SPRT	1	
4	09106-08178	BOLT (8X25)	4	
5	09116-08176	BOLT,EXH CTR SPRT	1	
6	09180-08152	SPACER (8.6X12X24.2)	1	
7	09320-12077	CUSHION (12X30X24)	1	
8	01550-1025B	BOLT	2	
9	14310-25LG0	BODY,MUFFLER	1	
10	14459-47H00	CLAMP,MUFFLER CONNECTOR	1	
11	14771-24F10	CONNECTOR,MUFFLER	1	
12	09106-08162	BOLT (8X40)	1	
13	09106-08195	BOLT (8X45)	1	
14	09160-08162	WASHER (8.5X33X1.6)	1	
15	09180-08152	SPACER (8.6X12X24.2)	1	
16	09320-12049	CUSHION	1	
17	08316-1008B	NUT	1	
18	14761-25LG0	COVER,MUFFLER FR	1	
19	14765-25LG0	SHIELD,MUF COV HEAT	1	
20	14766-25LG0	SHIELD,MUF COV FR HEAT NO.2	1	
21	14780-25LG0	COVER,MUFFLER	1	
22	14795-10FA0	GROMMET	2	
23	09139-06240	SCREW,MUF COV	2	
24	09180-06256	SPACER (6.5X9X5.7)	2	
25	09320-04013	CUSHION (4X12X8)	1	
26	09320-08066	CUSHION (8.4X18X6)	3	
27	18213-25L40	SENSOR,OXYGEN	1	
28	09407-14407	CLAMP (L:145)	1	

FIG.172A

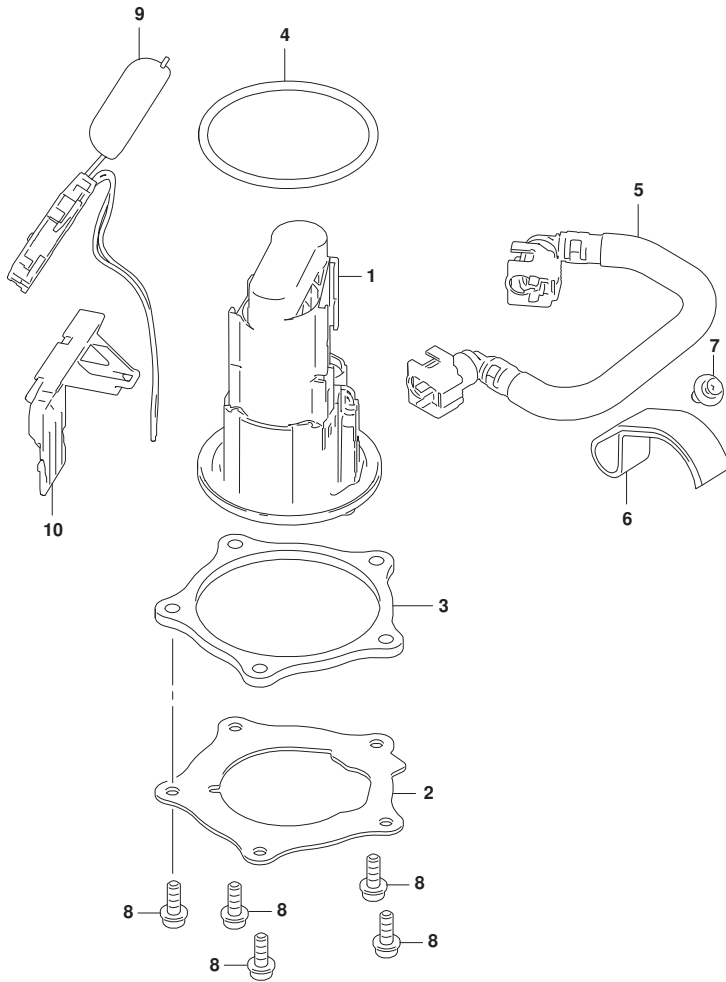


FIG.172A (1-C-5) FUEL PUMP

REF NO.	PART NO.	DESCRIPTION	Q'TY	REMARKS
1	15100-25L00	PUMP ASSY,FUEL	1	
2	15121-25L00	PLATE,FUEL PUMP OUTER	1	
3	15122-17K00	PLATE,FUEL PUMP INNER	1	
4	15201-07L00	O-RING	1	
5	15810-25L00	HOSE,FUEL	1	
6	15821-25L00	CLAMP,FUEL HOSE	1	
7	09409-06347	CLIP,FUEL HOSE CLAMP	1	
8	07120-0616A	BOLT	5	
9	34810-25L00	GAUGE ASSY,FUEL LEVEL SENDER	1	
10	34815-25L00	ATTACHMENT,FUEL LEVEL SENDER	1	

FIG.178A

FIG.178A (1-C-6) OIL COOLER

REF NO.	PART NO.	DESCRIPTION	Q'TY	REMARKS
1	16600-25L00	COOLER ASSY,OIL	1	
2	16611-48K00	O-RING,OIL COOLER	1	
3	07120-0620A	BOLT	4	
4	16461-25L00	HOSE,OIL COOLER WATER INLET	1	
5	16471-25L00	HOSE,OIL COOLER WATER OUTLET	1	
6	09401-16407	CLIP (ID:16.5)	4	

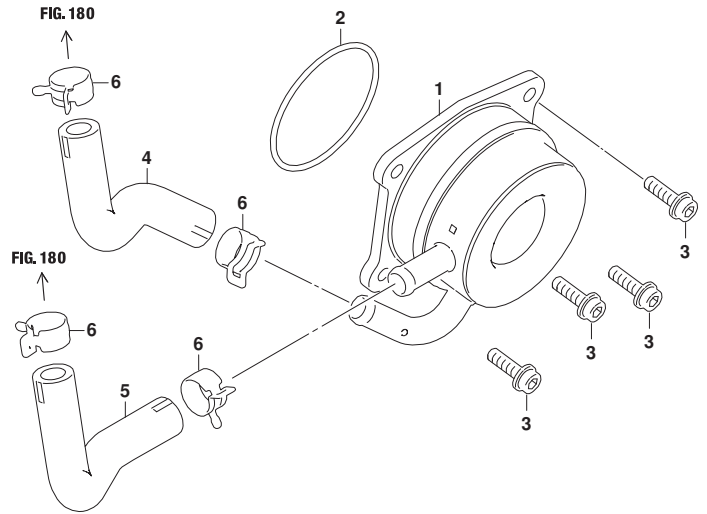


FIG.180A

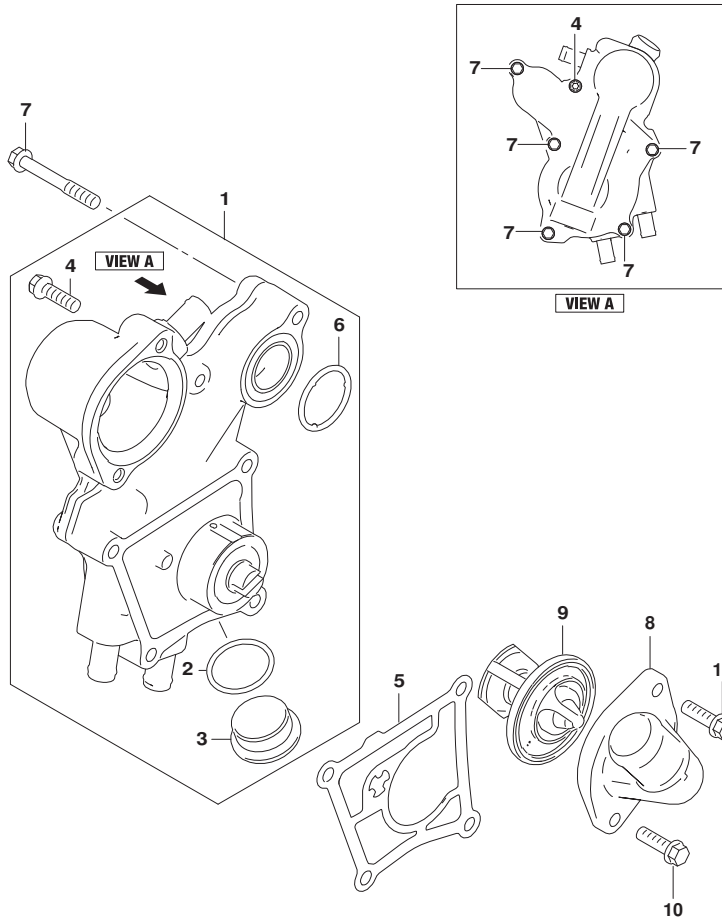


FIG.180A (1-C-7) WATER PUMP

REF NO.	PART NO.	DESCRIPTION	Q'TY	REMARKS
1	17400-25L00	PUMP ASSY,WATER	1	
2	11217-85FA0	.GASKET,PLUG (26.5X30.5X1)	1	
3	09248-26001	.PLUG (26X11)	1	
4	09103-06527	.BOLT (6X20)	1	
5	17421-25L00	GASKET,WATER PUMP	1	
6	17431-25L00	O-RING,WATER PUMP	1	
7	09103-06532	BOLT (L:45)	5	
8	17661-25L00	CAP,THERMOSTAT	1	
9	17670-81AB1	THERMOSTAT,WTR 82 DEG	1	
10	01547-0620A	BOLT	2	



FIG.185A

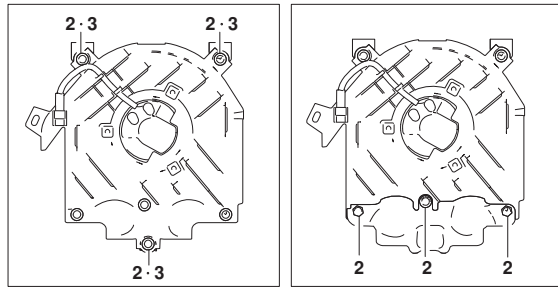


FIG.185A (1-C-8) RADIATOR

REF NO.	PART NO.	DESCRIPTION	Q'TY	REMARKS
1	17700-25LA0	RADIATOR COMP	1	
2	17711-14G00	BOLT,FAN ASSY	6	
3	17802-14F00	NUT,RADIATOR FAN	3	
4	17810-25L00	SHROUD FAN ASSY	1	
5	17812-25L00	PLATE	1	
6	09320-10051	CUSHION	3	
7	17730-14G00	CAP,RADIATOR (1.1)	1	
8	17740-25LA0	BRACKET,RADIATOR UPPER	1	
9	17750-25LA0	BRACKET,RADIATOR LOWER	1	
10	17760-25L00	GUARD,RADIATOR	1	
11	17771-25L00	SHIELD,RADIATOR HEAT	1	
12	17802-12K00	NUT	2	
13	47122-28K00	CUSHION,FRAME COVER FR RR	2	
14	94479-35F00	CLIP	1	
15	09118-06097	BOLT (6X25)	3	
16	09139-06214	SCREW (6X16)	2	
17	09180-06290	SPACER (6.5X10X12)	3	
18	09329-18001	CUSHION	4	
19	01550-0616A	BOLT	1	
20	02162-0612A	SCREW	2	

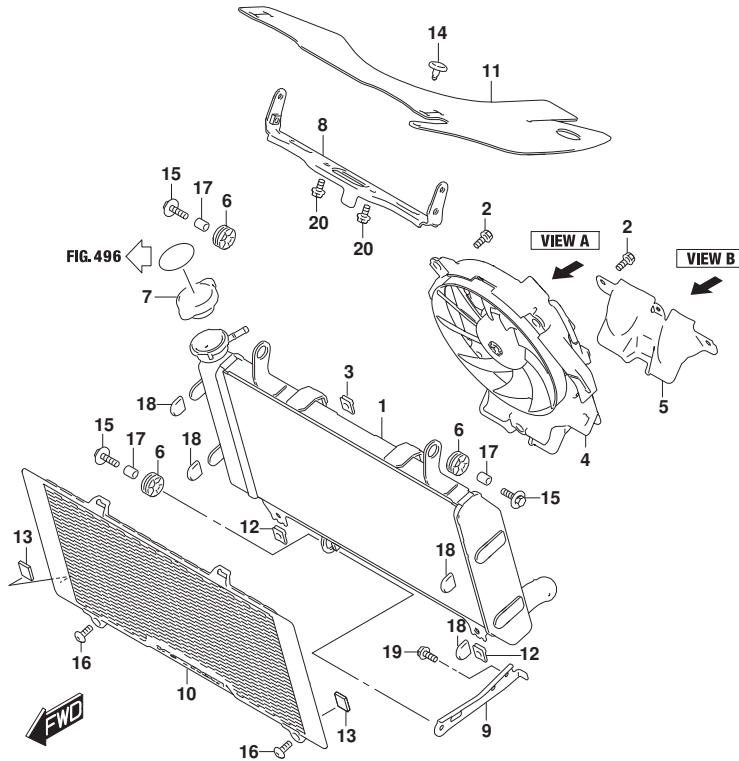


FIG.187A



FIG.187A (1-C-9) RADIATOR HOSE

REF NO.	PART NO.	DESCRIPTION	Q'TY	REMARKS
1	17568-50F00	UNION BOLT,AIR VENT	1	
2	17851-25LA0	HOSE,RDTR INLET	1	
3	17852-25LA0	HOSE,RDTR OUTLET	1	
4	17853-25L00	HOSE,WATER BYPASS	1	
5	17855-25L00	BRACKET,HOSE CLAMP	1	
6	17856-25L00	CLAMP,RDTR INLET HOSE	1	
7	17860-25L00	CONNECTOR,WATER OUTLET	1	
8	17861-25L00	O-RING,WATER CONNECTOR	1	
9	09103-06525	BOLT (6X12)	1	
10	09135-06034	BOLT,HOSE BRACKET	1	
11	09168-06026	GASKET (6.4X11.5X0.84)	1	
12	09401-16407	CLIP (ID:16.5)	2	
13	09401-29001	CLAMP	4	
14	09403-20307	CLAMP	1	
15	07120-0620A	BOLT	2	
16	17855-25L00	BRACKET,HOSE CLAMP	1	
17	17910-25L00	TANK ASSY,RESERVOIR	1	
18	17931-25L00	.CAP,WATER RESERVOIR TANK	1	
19	17934-25L00	.PIPE,RSVR TANK CAP	2	
20	17935-25L00	.HOSE,RSVR TANK CAP	1	
21	17913-25L00	COVER,RESERVOIR TANK	1	
22	17981-25L00	HOSE,RSVR TANK INLET	1	
23	09103-06525	BOLT (6X12)	1	
24	09135-06034	BOLT,HOSE BRACKET	2	
25	09148-05038	NUT (M5)	2	
26	09352-50901-600	HOSE (5X9X600)	1	
27	09401-08411	CLIP (ID:8.6)	2	
28	09403-11330	CLAMP,RSVR HOSE NO.2	1	
29	09403-17403	CLAMP	1	
30	03541-0512C	SCREW	2	
31	13650-49X00	SENSOR,TEMP	1	
32	09168-12017	GASKET (12X17X1)	1	

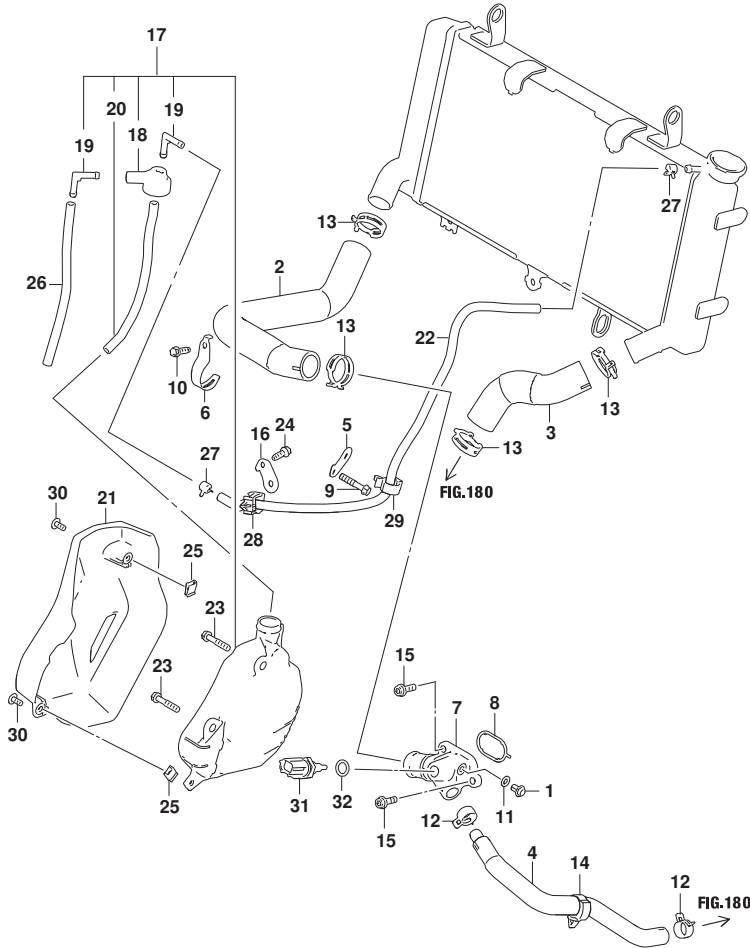


FIG.189A

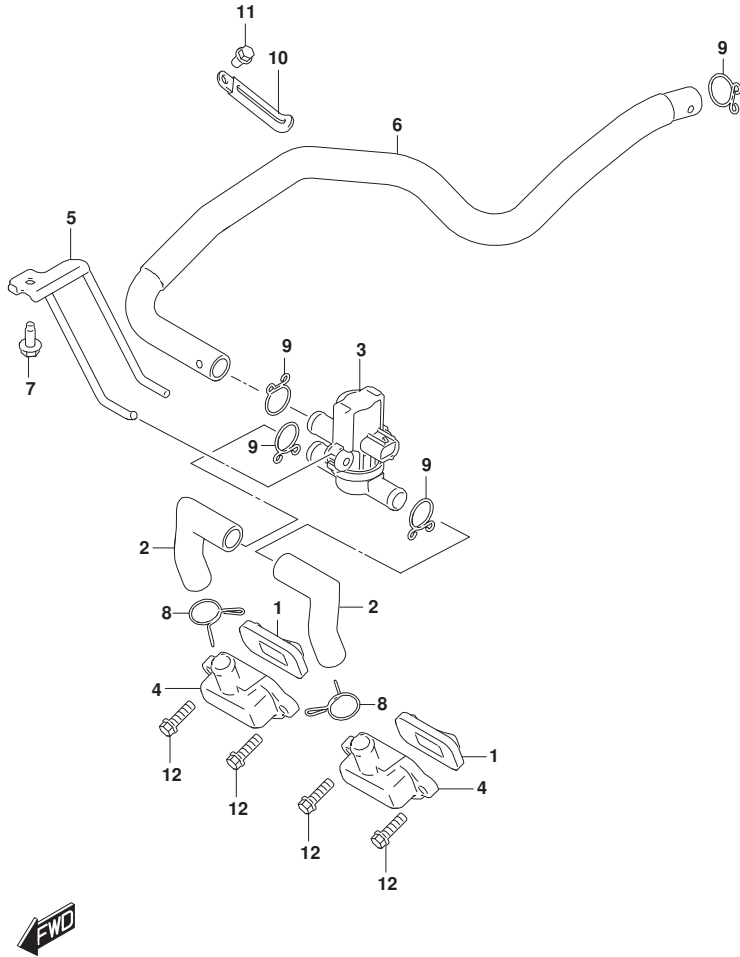


FIG.189A (1-C-10) 2ND AIR

REF NO.	PART NO.	DESCRIPTION	QTY	REMARKS
1	18450-28K00	VALVE ASSY,OIL REED	2	
2	18461-25L00	HOSE,2ND AIR VALVE	2	
3	18510-29G31	VALVE ASSY,AIR CUT	1	
4	18531-25L00	COVER,2ND AIR REED VALVE	2	
5	18610-25L00	BRACKET,2ND AIR VALVE	1	
6	18710-25L00	HOSE,2ND AIR CLNR	1	
7	09135-06027	BOLT (6X16)	1	
8	09401-17201	CLIP	2	
9	09401-18101	CLIP	4	
10	09404-06038	CLAMP (L:65)	1	
11	01547-0610A	BOLT	1	
12	01547-0620A	BOLT	4	

FIG.201A

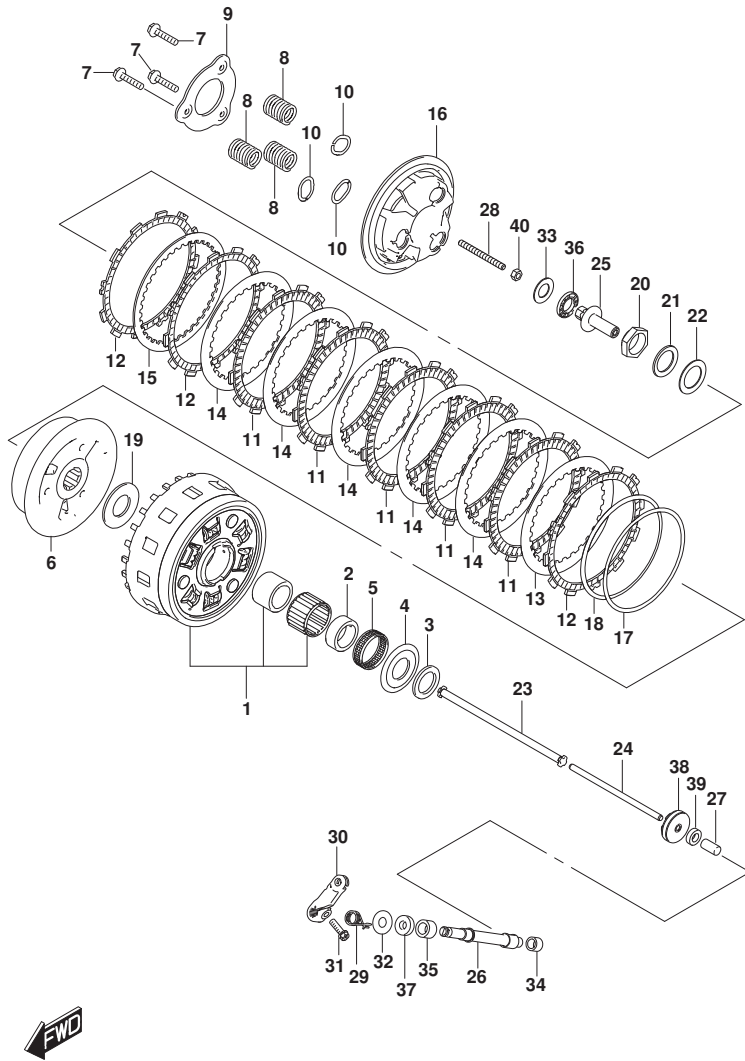


FIG.201A (1-C-11) CLUTCH

REF NO.	PART NO.	DESCRIPTION	Q'TY	REMARKS
1	21200-25810	GEAR ASSY,PRI DRIVEN	1	
2	21253-01H10	SPACER,OIL PUMP DRIVE SPROCKET	1	
3	09160-25036	WASHER,25X30X3 (25X30X3)	1	
4	09160-25073	WASHER (25X54X2.4)	1	
5	09263-35045	BEARING (35X40X12)	1	OIL PUMP DR SPROCKET
6	21411-25L00	HUB,CLUTCH SLEEVE	1	
7	21412-31J00	BOLT,CLUTCH SPRING	3	
8	21413-25L00	SPRING,CLUTCH	3	
9	21414-25L00	PLATE,STOPPER	1	
10	21415-31J00	SEAT,CLUTCH SPRING	3	
11	21441-36F50	PLATE,CLUTCH DRIVE NO.1 (T:2.8	5)
12	21442-41G20	PLATE,CLUTCH DRIVE NO.2 (T:2.8	3)
13	21451-25L10	PLATE,CLUTCH DRIVEN NO.2	1	
14	21451-41G30	PLATE,CLUTCH DRIVEN (T:1.6)	5	
15	21452-25L00	PLATE,CLUTCH DRIVEN NO.3	1	
16	21462-25L00	DISC,CLUTCH PRESSURE	1	
17	21471-41G00	SEAT,WAVE WASHER	1	
18	21472-41G20	WASHER,CLUTCH PLATE WAVE	1	
19	09160-25056	WASHER (25X50X2.5)	1	
20	09159-24010	NUT	1	
21	09164-24008	WASHER (24.2X35X2.7)	1	
22	09181-25223	SHIM (25X38X1)	1	
23	23110-38B00	ROD,CLUTCH PUSH,R	1	
24	23111-25L00	ROD,CLUTCH PUSH,L	1	
25	23121-25L00	PIECE,CLUTCH PUSH	1	
26	23122-25L00	CAMSHAFT,CLUTCH RELEASE	1	
27	23123-41G00	CAP,CLUTCH PUSH ROD	1	
28	23124-25L00	SCREW,CLUTCH PUSH ROD	1	
29	23125-44G00	SPRING,CLUTCH RELEASE RETURN	1	
30	23271-41G00	ARM,CLUTCH RELEASE	1	
31	09103-06527	BOLT (6X20)	1	
32	09160-10020	WASHER (10.5X24X1.0)	1	
33	09160-15045	WASHER (15.5X28X1)	1	

FIG.201A

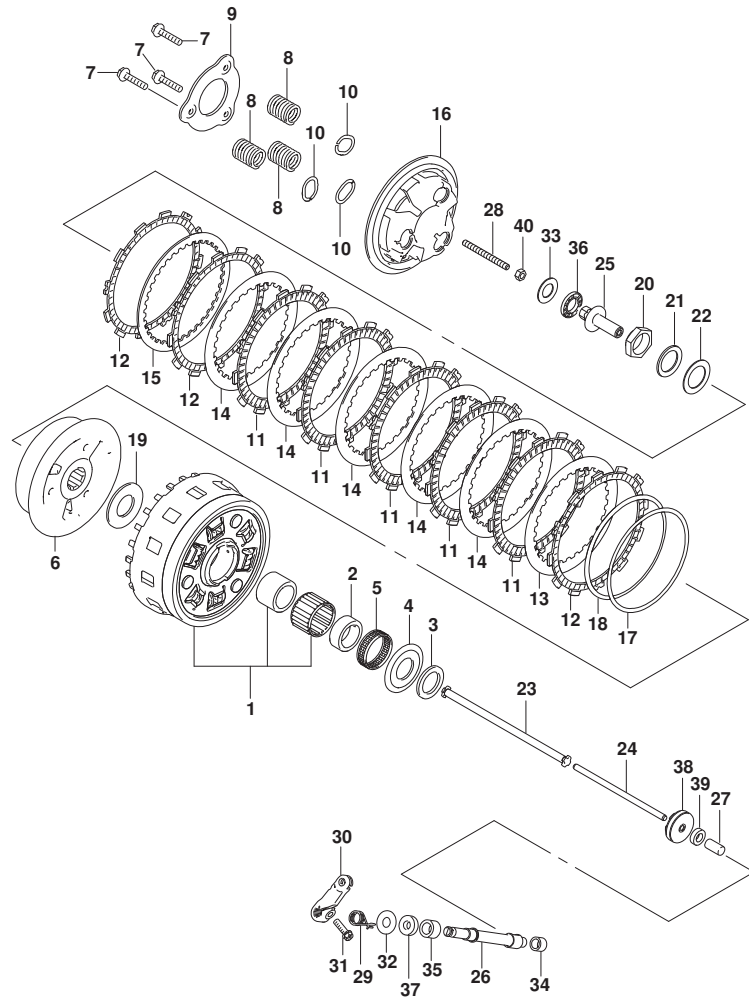


FIG.201A (1-C-12) CLUTCH

REF NO.	PART NO.	DESCRIPTION	Q'TY	REMARKS
34	09263-10014	BEARING (10X14X10)	1	
35	09263-12027	BEARING (12X18X12)	1	
36	09263-15003	BEARING (15X28X2)	1	
37	09282-10012	SEAL,OIL (10X20X6)	1	
38	09283-06013	SEAL,OIL	1	
39	09285-10004	SEAL,OIL (10X17X5)	1	
40	08310-0006A	NUT	1	

FIG.206A

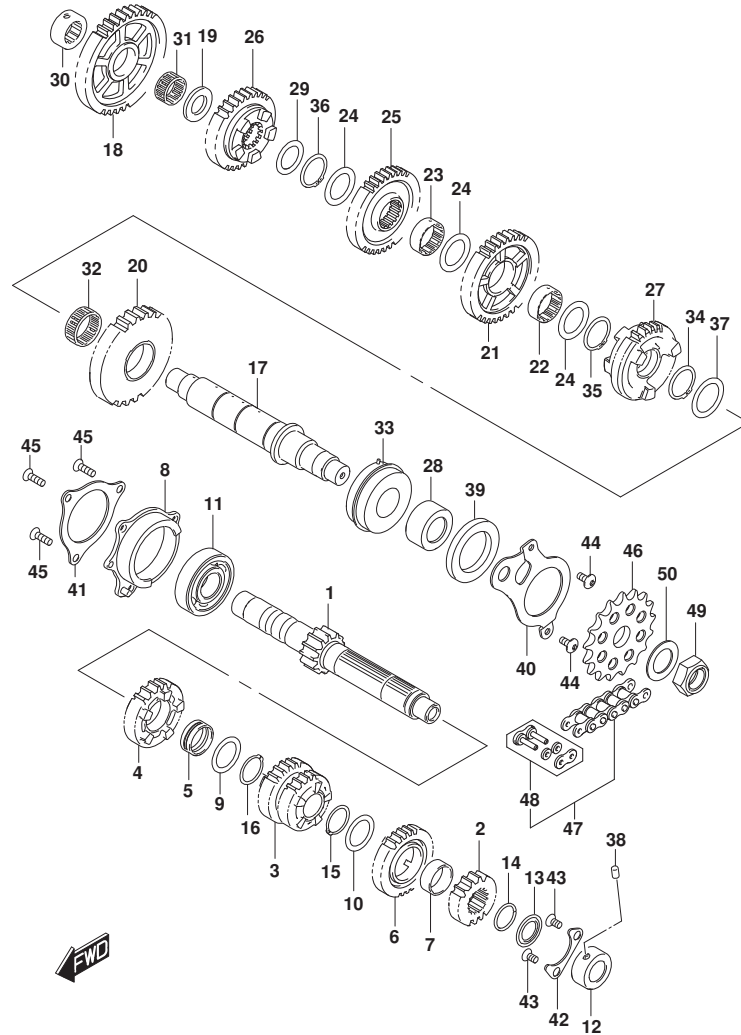


FIG.206A (1-C-13) TRANSMISSION

REF NO.	PART NO.	DESCRIPTION	Q'TY	REMARKS
1	24120-25L00	SHAFT,CNTR	1	
2	24221-25L00	GEAR,2ND DRIVE	1	
3	24231-25L00	GEAR,3RD & 4TH DRIVE	1	
4	24251-25L00	GEAR,5TH DRIVE	1	
5	24252-35F00	BUSH,5TH DRIVE GEAR	1	
6	24261-25L00	GEAR,6TH DRIVE	1	
7	24262-35F10	BUSH,6TH DRIVE GEAR	1	
8	24770-18H10	HOUSING,CNTR SHAFT BRG,R	1	
9	09160-27008	WASHER (27X36X1.0)	1	
10	09167-27001	WASHER (27X36X1)	1	
11	09262-25073	BEARING (25X62X17)	1	
12	09263-20123	BEARING	1	
13	09285-20006	SEAL,OIL (20X31.2X2.7)	1	
14	09380-27004	CIRCLIP	1	
15	09380-27006	CIRCLIP	1	
16	09380-27006	CIRCLIP	1	
17	24131-25L00	SHAFT,DRIVE	1	
18	24311-25L00	GEAR,1ST DRIVEN	1	
19	24315-25L00	SPACER,1ST DRIVEN GEAR,R	1	
20	24321-25L00	GEAR,2ND DRIVEN	1	
21	24331-25L00	GEAR,3RD DRIVEN	1	
22	24332-24F20	BUSH,3RD DRIVEN GEAR	1	
23	24332-24F20	BUSH,3RD DRIVEN GEAR	1	
24	24333-47H00	WASHER,3RD & 4TH DRIVEN GEAR	3	
25	24341-25L00	GEAR,4TH DRIVEN	1	
26	24351-25L00	GEAR,5TH DRIVEN	1	
27	24361-25L00	GEAR,6TH DRIVEN	1	
28	27531-25L00	SPACER,ENGINE SPROCKET	1	
29	09181-24005	SHIM (24X34X1)	1	
30	09263-20087	BEARING (20X34X13.5)	1	
31	09263-24030	BEARING (24X28X13)	1	
32	09263-30018	BEARING (30X35X12.8)	1	
33	09267-30011	BEARING (30X62X23.8)	1	
34	09380-30009	CIRCLIP	1	
35	09380-30009	CIRCLIP	1	

FIG.206A

FIG.206A (1-C-14) TRANSMISSION

REF NO.	PART NO.	DESCRIPTION	Q'TY	REMARKS
36	09380-30009	CIRCLIP	1	
37	09181-30167	SHIM,30X40X1 (30X40X1)	1	
38	09261-06003	PIN (6X10)	1	
39	09283-42018	SEAL,OIL (42X62X7)	1	
40	24741-25L00	RETAINER,CL PUSH ROD OIL SEAL	1	
41	24751-18H00	RETAINER,CNTR SHAFT BRG,R	1	
42	24751-25L00	RETAINER,COUNTER SHAFT BRG,L	1	
43	09126-06011	SCREW (6X12)	2	
44	09139-06153	SCREW (6X13)	2	
45	09139-06159	SCREW (6X20)	3	
46	27511-20A21	SPROCKET,ENGINE (NT:17)	1	
47	27600-17K00-126	CHAIN ASSY,DRIVE	1	
48	27620-17K00	.JOINT SET (DID525HV3)	1	
49	09159-20004	NUT	1	
50	09181-25268	SHIM (25X40X1.5)	1	

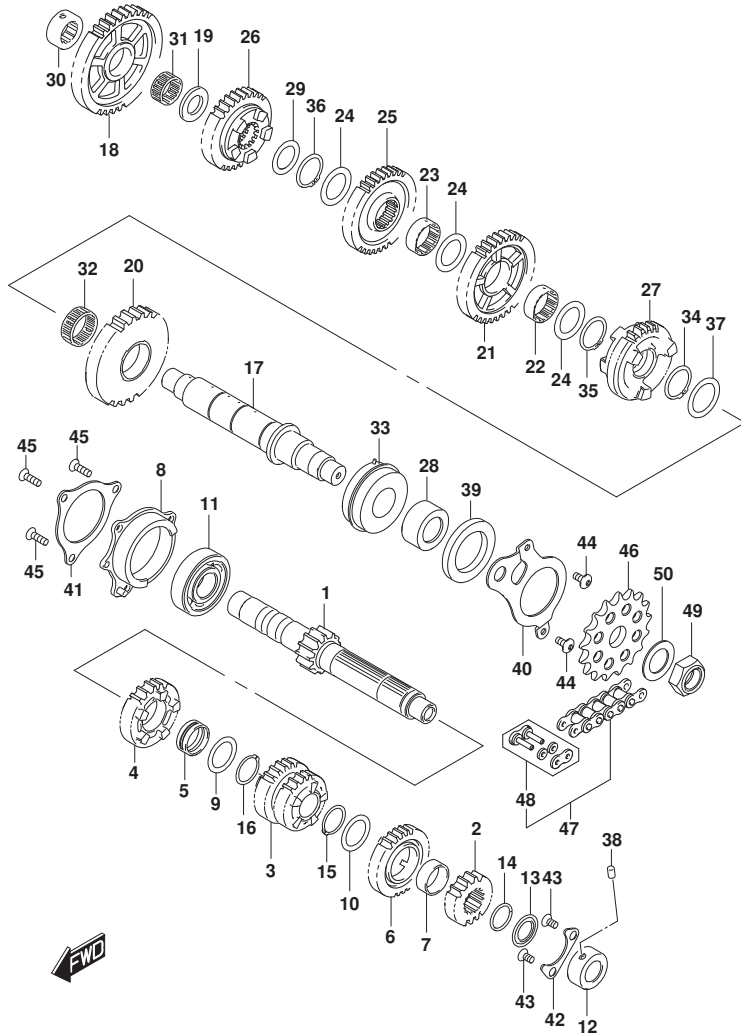


FIG.212A

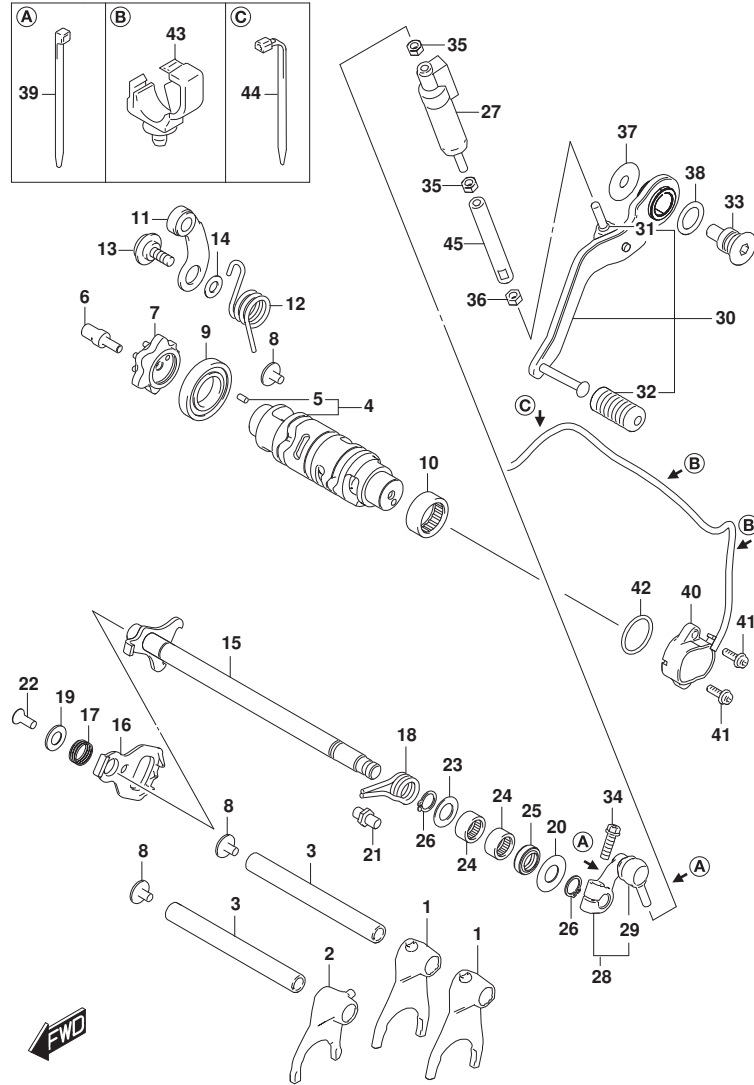


FIG.212A (1-C-15) GEAR SHIFTING

REF NO.	PART NO.	DESCRIPTION	Q'TY	REMARKS
1	25211-01H11	FORK,GEAR SHIFT NO.1	2	
2	25231-25L00	FORK,GEAR SHIFT NO.3	1	
3	25411-24F00	SHAFT,SHIFT FORK NO.2 (L:132)	2	
4	25310-25L00	CAM,GEAR SHIFT	1	
5	04221-04089	.PIN (4X13.8)	1	
6	25312-17K00	BOLT,GEAR SHIFT CAM PLATE	1	
7	25381-17K00	PLATE,GEAR SHIFT CAM	1	
8	09136-06147	SCREW (6X12)	3	
9	09262-25006	BEARING (25X47X8)	1	
10	09263-25018	BEARING (25X32X12)	1	
11	25350-06G00	STOPPER,SHIFT CAM	1	
12	25355-18H00	SPRING,GEAR SHIFT CAM STOPPER	1	
13	09111-06041	BOLT (6X14.3)	1	
14	08211-06141	WASHER	1	
15	25510-25L00	SHAFT,GEAR SHIFT	1	
16	25512-06G20	PLATE,GEAR SHIFT CAM DRIVE	1	
17	25518-01H00	SPRING,GEAR SHIFT PLATE RETURN	1	
18	25518-06L00	SPRING,GEAR SHIFT SHAFT RETURN	1	
19	25519-01H00	WASHER,GEAR SHIFT SHAFT END	1	
20	25519-25L00	WASHER,GEAR SHIFT SHAFT,L	1	
21	25671-01011	STOPPER,GEAR SHIFT ARM	1	
22	09126-06014	SCREW (6X16)	1	
23	09181-14195	SHIM (14X24X1)	1	
24	09263-14027	BEARING (14X20X12)	2	
25	09283-14005	SEAL,OIL (14X22X7.3)	1	
26	08331-3114A	CIRCLIP	2	
27	25500-25L00	SENSOR ASSY,GEAR SHIFT	1	
28	25520-25L10	ARM,GEAR SHIFT LINK	1	
29	25526-01H00	.DUST COVER	1	
30	25600-25L10	LEVER ASSY,GEAR SHIFT	1	
31	25526-01H00	.DUST COVER	1	
32	25652-20C00	.RUBBER,GEAR SHIFT PEDAL	1	
33	25617-18H00	BOLT,GEAR SHIFT LEVER	1	
34	09103-06527	BOLT (6X20)	1	
35	09140-06020	NUT	2	

FIG.212A

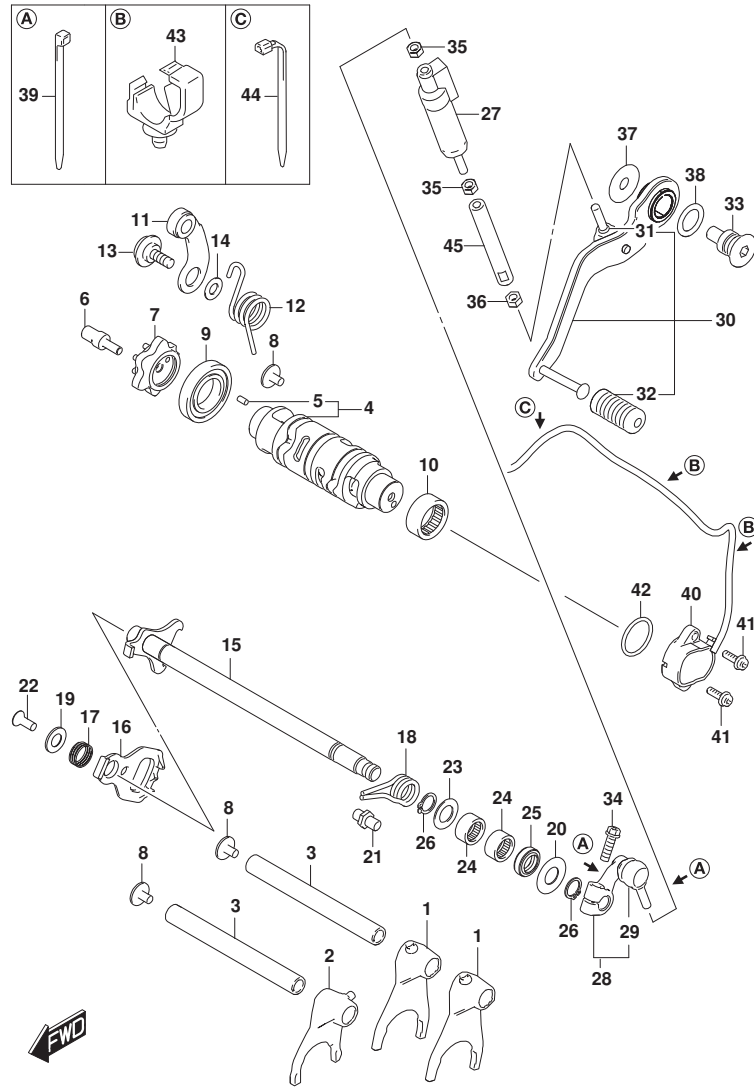


FIG.212A (1-C-16) GEAR SHIFTING

REF NO.	PART NO.	DESCRIPTION	Q'TY	REMARKS
36	09140-06025	NUT	1	
37	09160-10047	WASHER (10X30X1.0)	1	
38	09160-18037	WASHER,18X26X1 (18X26X1)	1	
39	09407-14407	CLAMP (L:145)	2	
40	37730-48K10	SENSOR ASSY,GEAR POSITION	1	
41	09106-05023	BOLT (5X16)	2	
42	09280-26005	O-RING (D:2.4,ID:26.2)	1	
43	09403-20311	CLAMP,GEAR SHIFT SW	2	
44	09407-14403	CLAMP (L:125)	1	
45	25525-25L10	ROD,GEAR SHIFT LINK	1	

FIG.301A

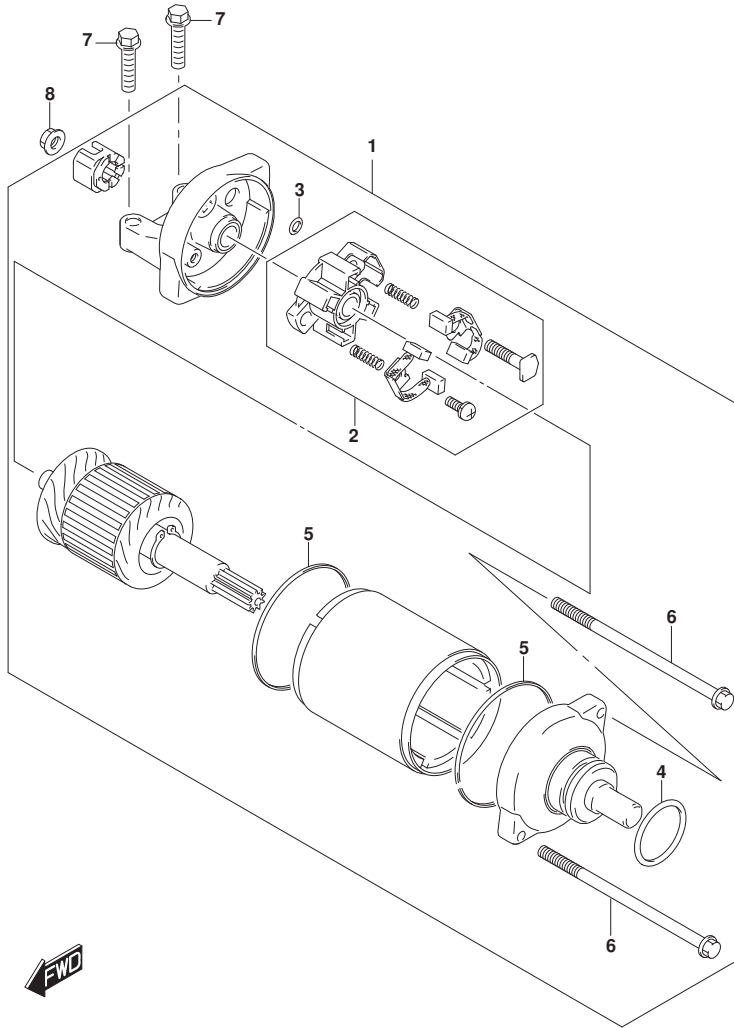


FIG.301A (1-D-2) STARTING MOTOR

REF NO.	PART NO.	DESCRIPTION	Q'TY	REMARKS
1	31100-25L00	MOTOR ASSY,STARTING	1	
2	31132-18H00	.BRUSH HOLDER SET	1	
3	31143-49040	.O-RING	1	
4	31156-98E00	.O-RING (D:3.1,ID:24.4)	1	
5	31264-38F10	.SQUARE RING	2	
6	31280-19F10	.BOLT SET	2	
7	01547-0625A	BOLT	2	
8	08361-3506A	NUT	1	

FIG.303A

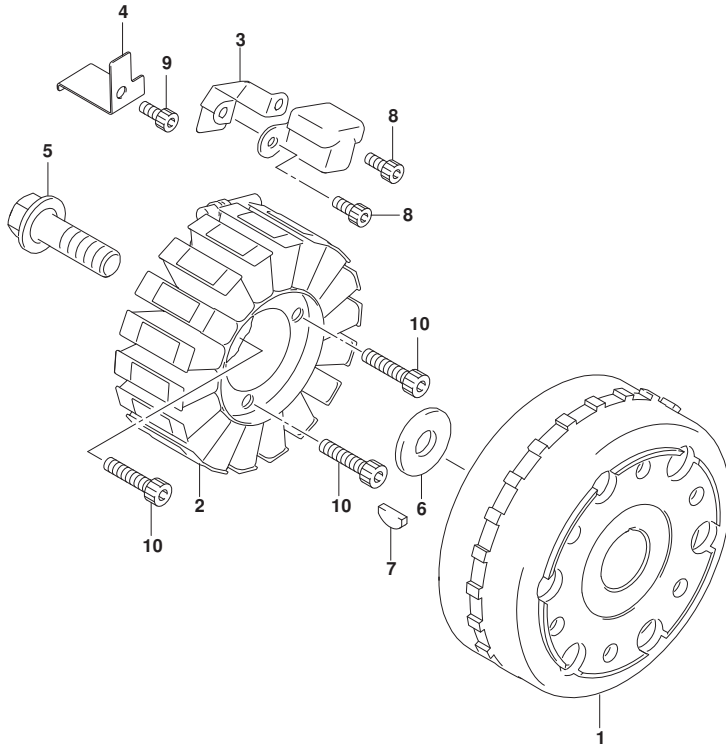


FIG.303A (1-D-3) MAGNETO

REF NO.	PART NO.	DESCRIPTION	Q'TY	REMARKS
1	32101-25L00	STATOR ASSY,MAGNETO	1	
2	32102-25L00	ROTOR ASSY,MAGNETO	1	
3	32155-25L00	CLAMP,PULSER COIL LEAD	1	
4	32371-25L00	CLAMP,MAGNETO LEAD	1	
5	09103-12146	BOLT,MAGNETO ROTOR	1	
6	09160-12036	WASHER (12X30X3.0)	1	
7	09420-04008	KEY (B:4,D:16,H6.5)	1	
8	07130-0512A	BOLT	2	
9	07130-0512A	BOLT	1	
10	07130-0635A	BOLT	3	

FIG.310A

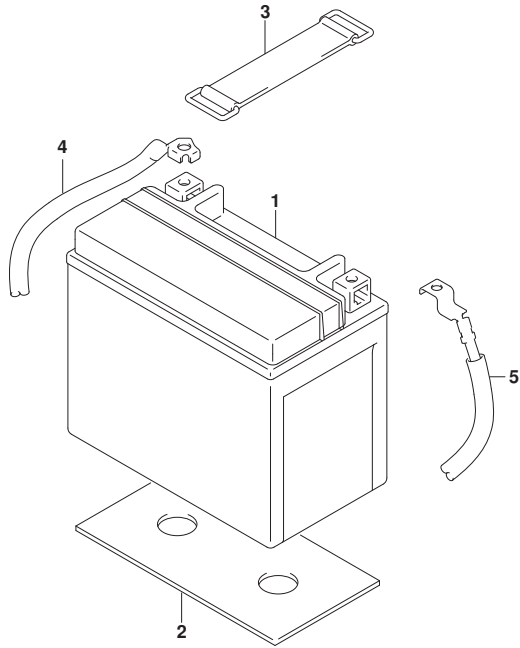


FIG.310A (1-D-4) BATTERY

REF NO.	PART NO.	DESCRIPTION	Q'TY	REMARKS
1	33630-33E30	BATTERY ASSY	1	
2	63113-15H10	CUSHION,BATTERY	1	
3	09462-00034	BAND	1	
4	33810-25LA0	WIRE,STARTER MOTOR LEAD	1	
5	33820-25LA0	WIRE,BATTERY PLUS LEAD	1	



FIG.311A

FIG.311A (1-D-5) STARTOR RELAY

REF NO.	PART NO.	DESCRIPTION	Q'TY	REMARKS
1	31800-06G02	RELAY ASSY,STARTING MOTOR	1	
2	09481-30101	.FUSE (30A)	2	
3	31861-47E00	.COVER	1	
4	09128-06013	SCREW (6X8)	2	

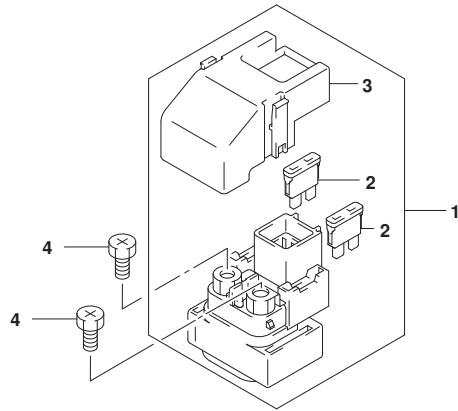


FIG.313A

FIG.313A (1-D-6) RECTIFIER

REF NO.	PART NO.	DESCRIPTION	Q'TY	REMARKS
1	32800-26J10	RECTIFIER ASSY	1	
2	09169-06032	WASHER	2	
3	01550-0625A	BOLT (6X25)	2	
4	08316-1006A	NUT (6X12)	2	

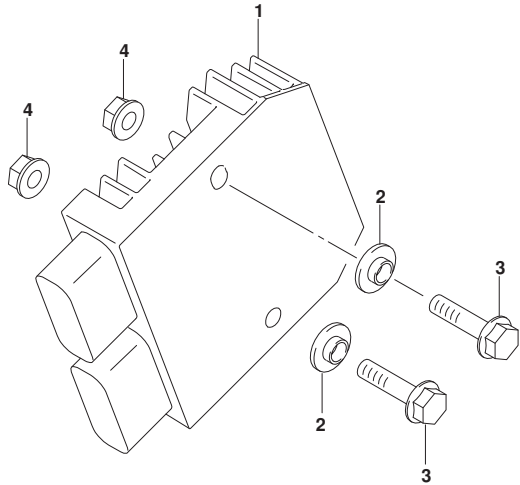


FIG.316A



FIG.316A (1-D-7) IGNITION COIL

REF NO.	PART NO.	DESCRIPTION	Q'TY	REMARKS
1	33410-38H10	COIL ASSY,IGNITION	2	

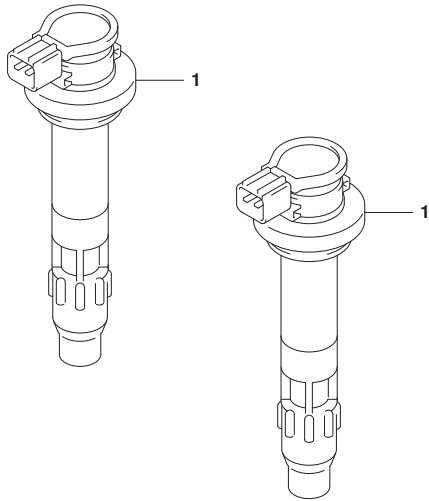


FIG.322A

FIG.322A (1-D-8) ELECTRIC POWER CONTROL UNIT

REF NO.	PART NO.	DESCRIPTION	Q'TY	REMARKS
1	32910-06L00	ECM,BLANK	1	
2	33651-37000	PROTECTOR (170X95X3.0)	2	
3	33652-39000	PROTECTOR,BATTERY (30X25X3)	1	
4	33960-25H01	SENSOR ASSY,FUEL CUT	1	

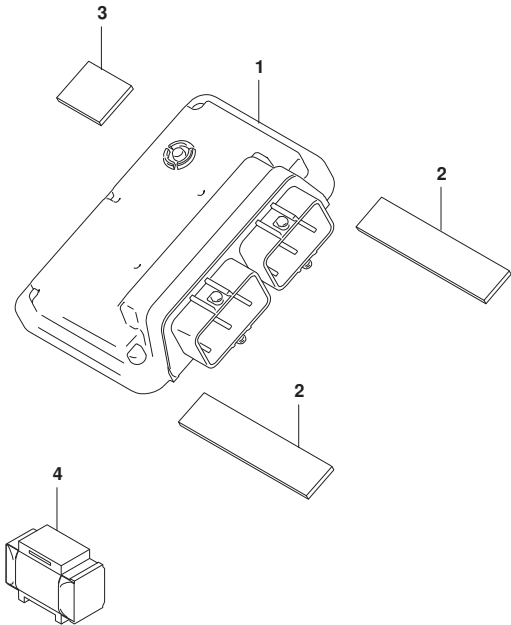


FIG.330A



FIG.330A (1-D-9) SPEEDOMETER

REF NO.	PART NO.	DESCRIPTION	Q'TY	REMARKS
1	34100-25LC0	SPEEDOMETER ASSY	1	
2	34187-48K01	SPACER,SPEEDOMETER	4	
3	34955-10L10	CUSHION,SPEEDOMETER	4	
4	09116-05030	BOLT,SPEEDOMETER	4	
5	#95643-58J00	SENSOR,AIR TEMP	1	

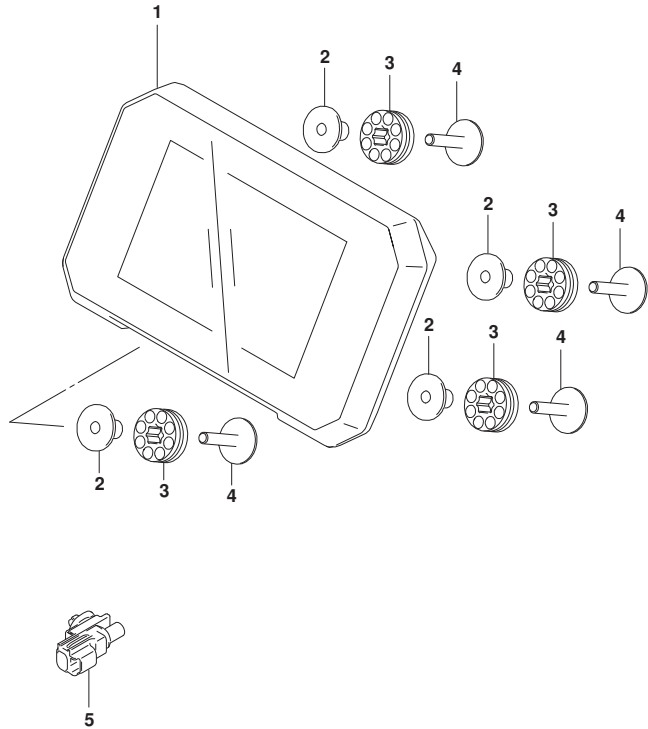


FIG.333A

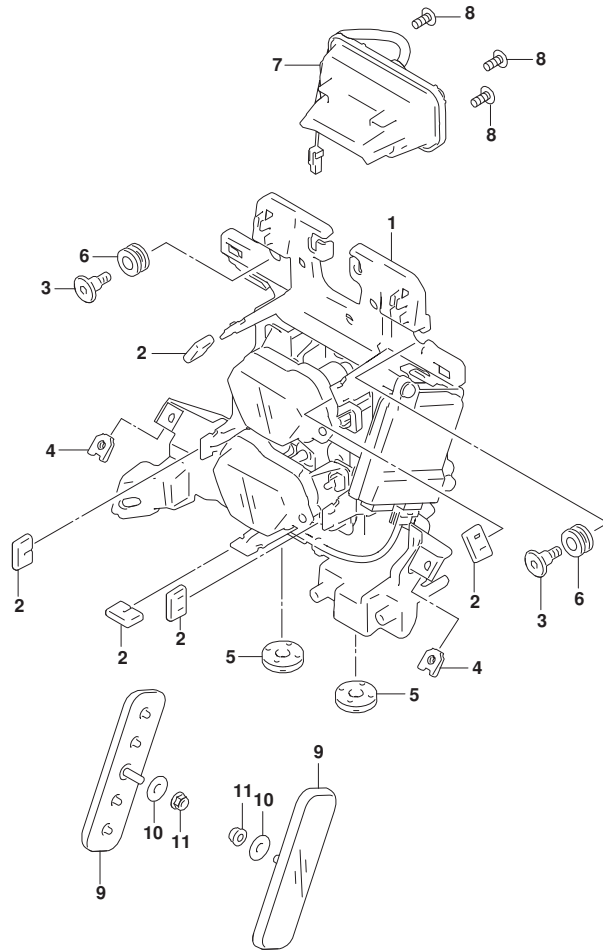


FIG.333A (1-D-10) HEADLAMP

REF NO.	PART NO.	DESCRIPTION	Q'TY	REMARKS
1	35100-25L00	HEADLAMP ASSY	1	
2	35781-17K00	CUSHION	4	
3	09139-06206	SCREW (6X20)	2	
4	09148-05045	NUT (M5)	2	
5	09320-08028	CUSHION (8X26X7)	2	
6	09320-09501	CUSHION (9X18X10)	2	
7	36110-48K00	LAMP ASSY,FRONT POSITION	1	
8	03541-0512A	SCREW	3	
9	35950-25L00	REFLEX REFLECTOR,FR SIDE	2	
10	09169-06076	WASHER	2	
11	08319-3105A	NUT	2	

FIG.334A

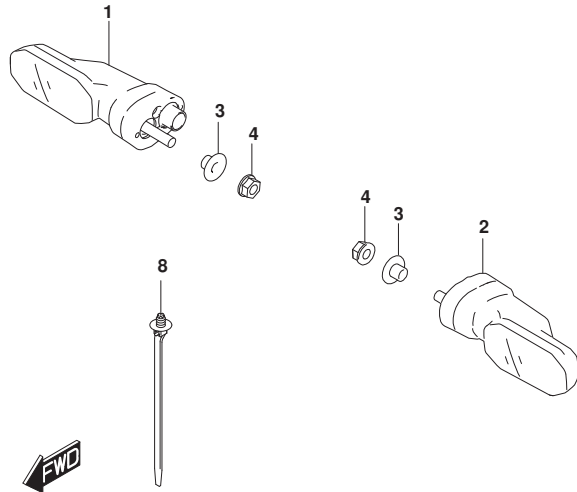
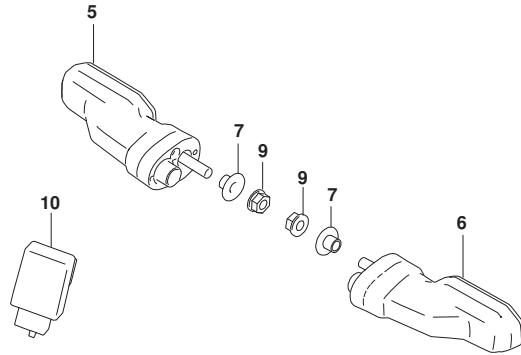


FIG.334A (1-D-11) TURNSIGNAL LAMP

REF NO.	PART NO.	DESCRIPTION	Q'TY	REMARKS
1	35601-48KA1	LAMP ASSY,FRONT TURNSIGNAL,R	1	
2	35602-48KA1	LAMP ASSY,FRONT TURNSIGNAL,L	1	
3	09169-06100	WASHER,FRONT TURNSIGNAL	2	
4	08316-1006A	NUT (6X12)	2	
5	35603-48KC0	LAMP ASSY,REAR TURNSIGNAL,R	1	
6	35604-48KC0	LAMP ASSY,REAR TURNSIGNAL,L	1	
7	09169-06100	WASHER,FRONT TURNSIGNAL	2	
8	09407-11402	CLAMP (L:90)	1	
9	08316-1006A	NUT (6X12)	2	
10	38610-06L00	RELAY ASSY,TURNSIGNAL	1	

FIG.339A

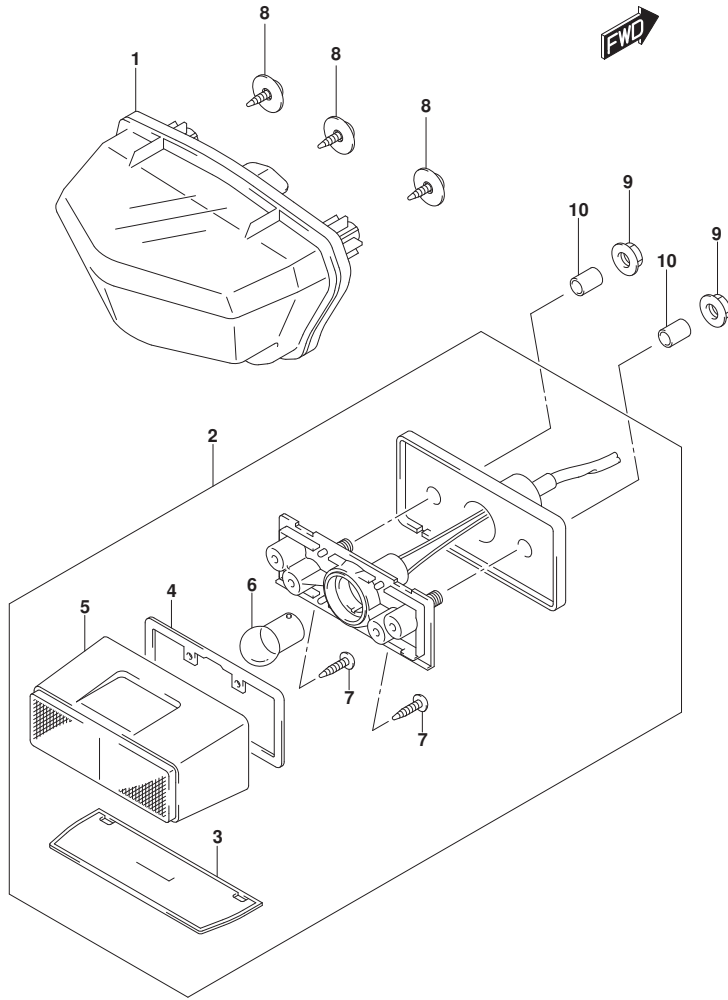


FIG.339A (1-D-12) REAR COMBINATION LAMP

REF NO.	PART NO.	DESCRIPTION	Q'TY	REMARKS
1	35710-31JA0	LAMP ASSY,REAR COMB	1	
2	35910-41G10	LAMP ASSY,LICENSE	1	
3	35912-41G01	.LENS,LICENSE	1	
4	35913-41G00	.GASKET	1	
5	35917-41G00	.COVER,LICENSE LAMP	1	
6	09471-12140	.BULB (12V5W)	1	
7	03211-0416A	.SCREW	2	
8	09136-05062	SCREW (5X15)	3	
9	09159-06096	NUT (M6)	2	
10	09180-06261	SPACER (6.5X9X8)	2	

FIG.350A

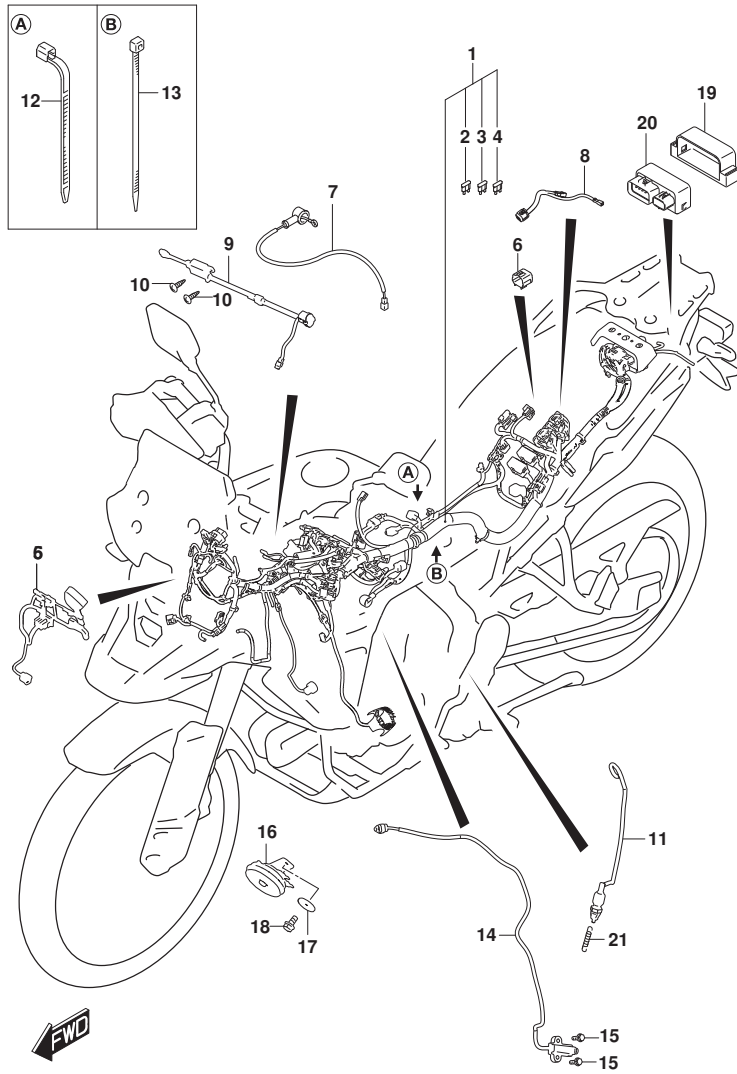


FIG.350A (1-D-13) WIRING HARNESS

REF NO.	PART NO.	DESCRIPTION	Q'TY	REMARKS
1	36610-25LB0	HARNESS,WIRING NO.1	1	
2	09481-10501	.FUSE (10A)	7	
3	09481-15501	.FUSE (15A)	4	
4	09481-20501	.FUSE (20A)	2	
5	36620-25LA0	HARNESS,WIRING NO.2	1	
6	36654-28K00	CAP,OBD CONNECTOR	1	
7	36851-25L00	WIRE,OIL PRESSURE SW LEAD	1	
8	36853-48KA0	WIRE,REAR COMB LAMP LEAD	1	
9	39105-25L00	SOCKET,USB	1	
10	03541-0412A	SCREW	2	
11	37740-25L00	SWITCH ASSY,STOP LAMP	1	
12	09407-10403	CLAMP (L:95)	2	
13	09407-14407	CLAMP (L:145)	1	
14	37840-25L00	SWITCH ASSY,SIDE STAND	1	
15	01550-0620B	BOLT	2	
16	38500-48H31	HORN ASSY	1	
17	09160-08159	WASHER,8.5X30X2.3 (8.5X30X2.3)	1	
18	01550-0816B	BOLT	1	
19	36744-06L00	HOLDER,RELAY	1	
20	38860-06L00	RELAY ASSY	1	
21	09443-06054	SPRING	1	

FIG.352A

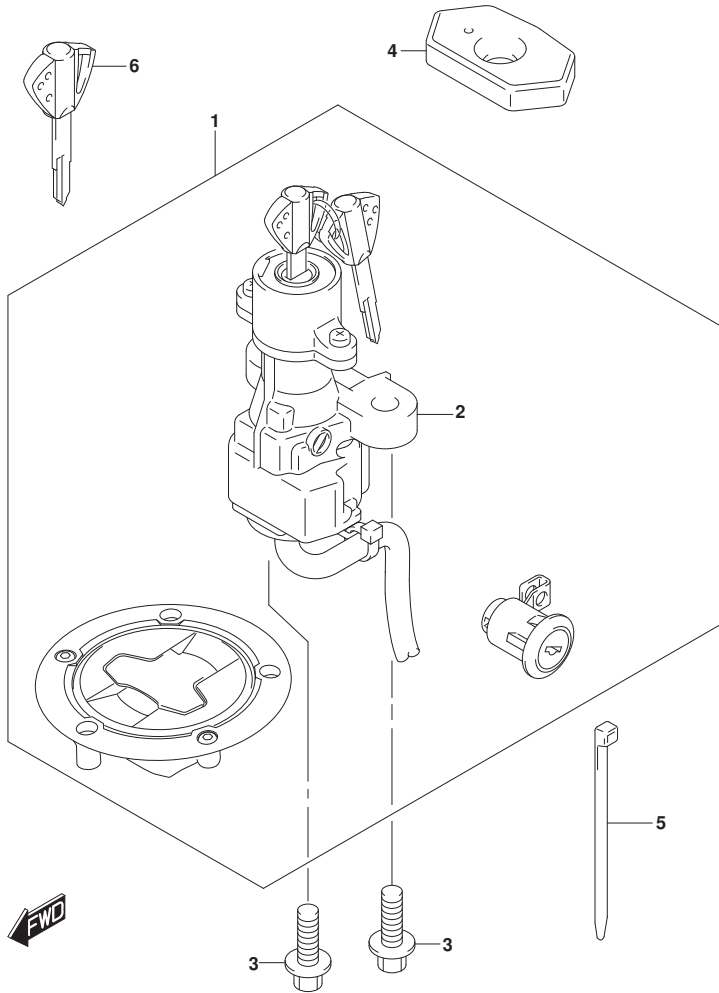


FIG.352A (1-D-14) LOCK SET

REF NO.	PART NO.	DESCRIPTION	Q'TY	REMARKS
1	37101-25840	LOCK SET	1	
2	37100-25L10	.LOCK ASSY,STEERING	1	
3	37152-17K00	BOLT,STEERING LOCK (8X20)	2	
4	37180-15HA0	COVER,STEERING LOCK	1	
5	09407-14407	CLAMP (L:145)	2	
6	37146-13K00	KEY,BLANK	1	

FIG.355A



FIG.355A (1-D-15) HANDLE SWITCH

REF NO.	PART NO.	DESCRIPTION	Q'TY	REMARKS
1	36990-06L00	CLAMP,HANDLE SWITCH (L:145)	1	
2	36990-06L00	CLAMP,HANDLE SWITCH (L:145)	1	
3	37400-25L10	SWITCH ASSY,HANDLE,L	1	

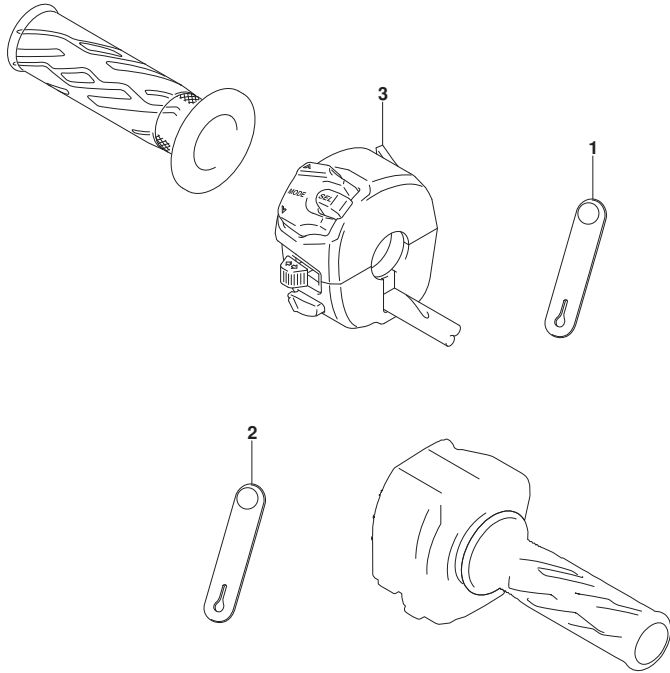


FIG.401A

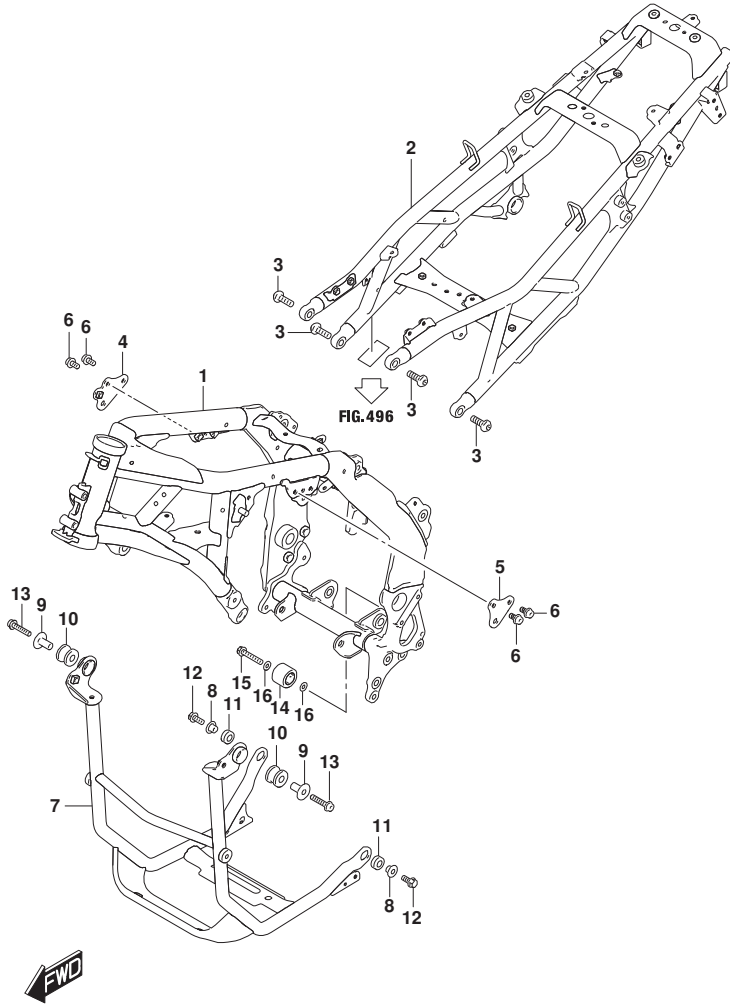


FIG.401A (1-D-16) FRAME

REF NO.	PART NO.	DESCRIPTION	Q'TY	REMARKS
1	41100-25LA0	FRAME	1	
2	41200-25LA0-YAP	RAIL,SEAT (BLACK)	1	
3	09106-10100	BOLT,SEAT RAIL	4	
4	41920-25L00	PLATE,ENG MTG,R	1	
5	41922-25L00	PLATE,ENG MTG,L	1	
6	07120-0816B	BOLT	4	
7	41160-25LB0	BRACKET,UNDER COVER	1	
8	09169-08054	WASHER	2	
9	09180-08152	SPACER (8.6X12X24.2)	2	
10	09320-12048	CUSHION (12X30X24)	2	
11	09320-12068	CUSHION (12X22X9.5)	2	
12	01550-0820B	BOLT	2	
13	07120-0840B	BOLT	2	
14	43910-37F00	ROLLER,CHAIN	1	
15	09103-08207	BOLT (8X45)	1	
16	09181-08167	SHIM (8X16X1)	2	

FIG.406A

FIG.406A (1-E-2) HOLDER

REF NO.	PART NO.	DESCRIPTION	Q'TY	REMARKS
1	47414-25LA0	HOLDER,BATTERY	1	
2	44253-13K00	CUSHION, TANK COVER SIDE NO.4	1	
3	09111-06262	BOLT (6X13.5)	2	
4	47431-25LA0	HOLDER,ELECTRIC PARTS NO.1	1	
5	03541-0512A	SCREW	3	
6	47441-25LA0	HOLDER,ELECTRIC PARTS NO.2	1	
7	03541-0512A	SCREW	3	
8	94479-35F00	CLIP	1	

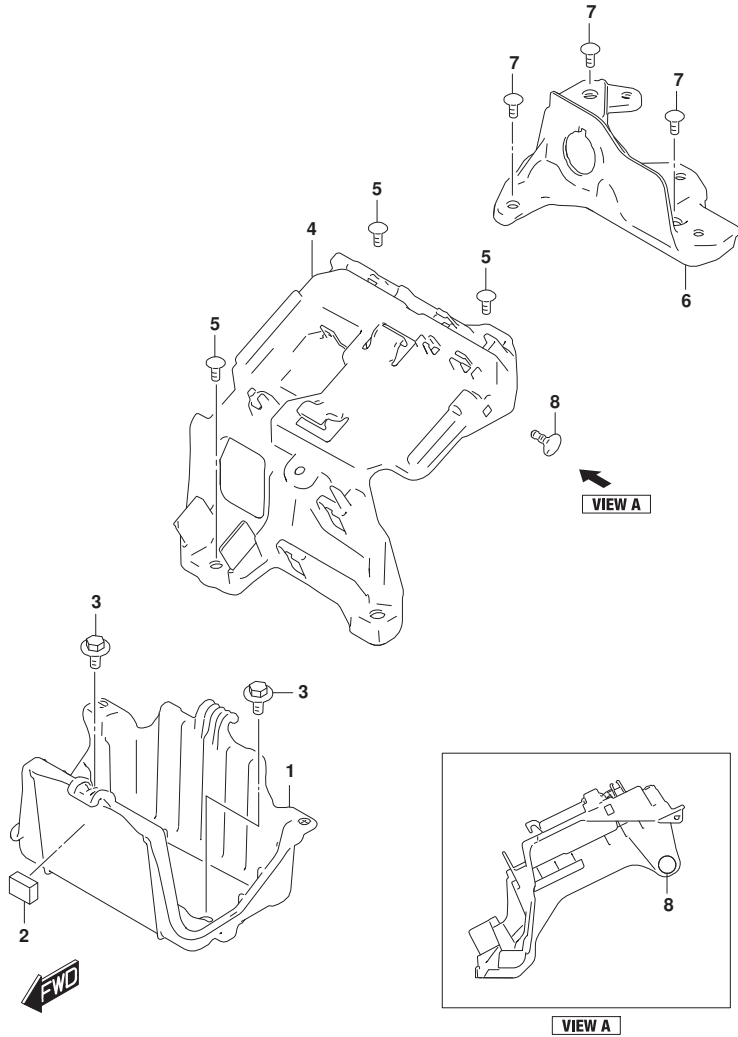


FIG.407A

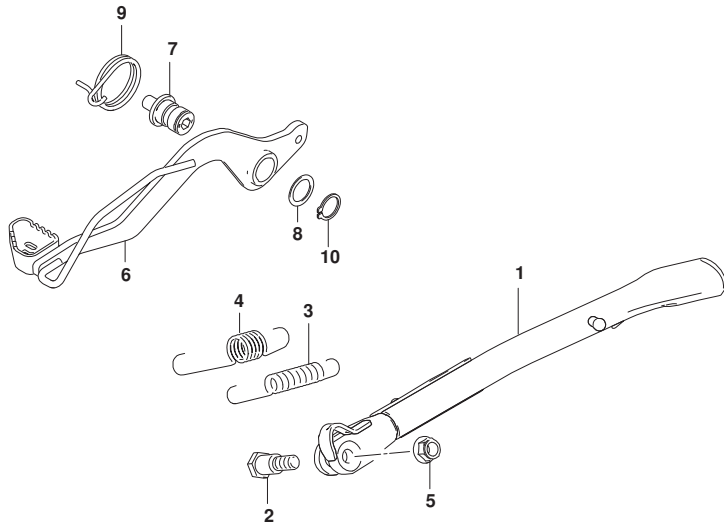


FIG.407A (1-E-3) STAND

REF NO.	PART NO.	DESCRIPTION	Q'TY	REMARKS
1	42310-25LB0	STAND,PROP	1	
2	09111-10059	BOLT (10X21)	1	
3	09443-14080	SPRING,PROP STAND NO.1	1	
4	09443-20007	SPRING,PROP STAND NO.2	1	
5	08319-3110A	NUT	1	
6	43110-25LA0	PEDAL,BRAKE	1	
7	43142-25L00	SHAFT,BRAKE PEDAL	1	
8	09160-18022	WASHER (18X24X1.0)	1	
9	09448-41006	SPRING,BRAKE PEDAL	1	
10	08331-3118A	CIRCLIP	1	



FIG.412A

FIG.412A (1-E-4) CARRIER

REF NO.	PART NO.	DESCRIPTION	Q'TY	REMARKS
1	46311-25LA0	CARRIER,SPORT	1	
2	09103-08568	BOLT,SPORT CARRIER	4	
3	09169-08053	WASHER,SPORT CARRIER	4	

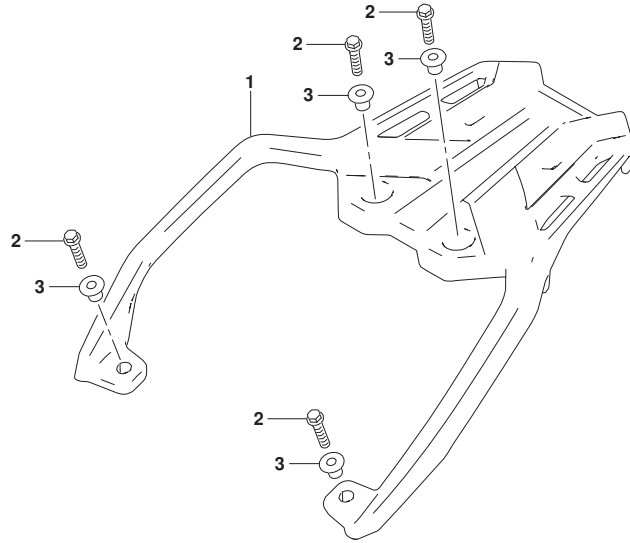


FIG.415A

FIG.415A (1-E-5) FOOTREST

REF NO.	PART NO.	DESCRIPTION	Q'TY	REMARKS
1	43501-25LA0	FOOTREST ASSY,FRONT,R	1	
2	43530-06L00	.BAR,FRONT FOOTREST RH	1	
3	43551-06L00	.RUBBER,FR FOOTREST	1	
4	43552-06L00	.PLATE,FR FOOTREST RUBBER	1	
5	43576-07D01	.BOLT,BANK SENSOR	1	
6	47512-28K00	.SPACER,FR FOOTREST RUBBER	2	
7	01550-0512A	.BOLT	2	
8	43502-25LA0	FOOTREST ASSY,FRONT,L	1	
9	43540-06L00	.BAR,FRONT FOOTREST LH	1	
10	43551-06L00	.RUBBER,FR FOOTREST	1	
11	43552-06L00	.PLATE,FR FOOTREST RUBBER	1	
12	43576-07D01	.BOLT,BANK SENSOR	1	
13	47512-28K00	.SPACER,FR FOOTREST RUBBER	2	
14	01550-0512A	.BOLT	2	
15	43510-25LB0	BRACKET,FR FOOTREST,R	1	
16	43520-25LB0	BRACKET,FR FOOTREST,L	1	
17	43571-25LB0	GUARD,FR FOOTREST,R	1	
18	43572-25LB0	GUARD,FR FOOTREST,L	1	
19	43580-25LB0	BRACKET,GUARD FOOTREST,R	1	
20	43590-25LB0	BRACKET,GUARD FOOTREST,L	1	
21	09103-10415	BOLT (10X25)	2	
22	09106-08167	BOLT (8X20)	3	
23	09106-08171	BOLT (8X12)	1	
24	09106-08206	BOLT,FRAME COVER UPPER	2	
25	09139-06221	SCREW (6X16)	4	
26	09208-08010	PIN (8X33.2)	2	
27	09448-20012	SPRING,FRONT FOOTREST	2	
28	08332-1106B	E-RING	2	

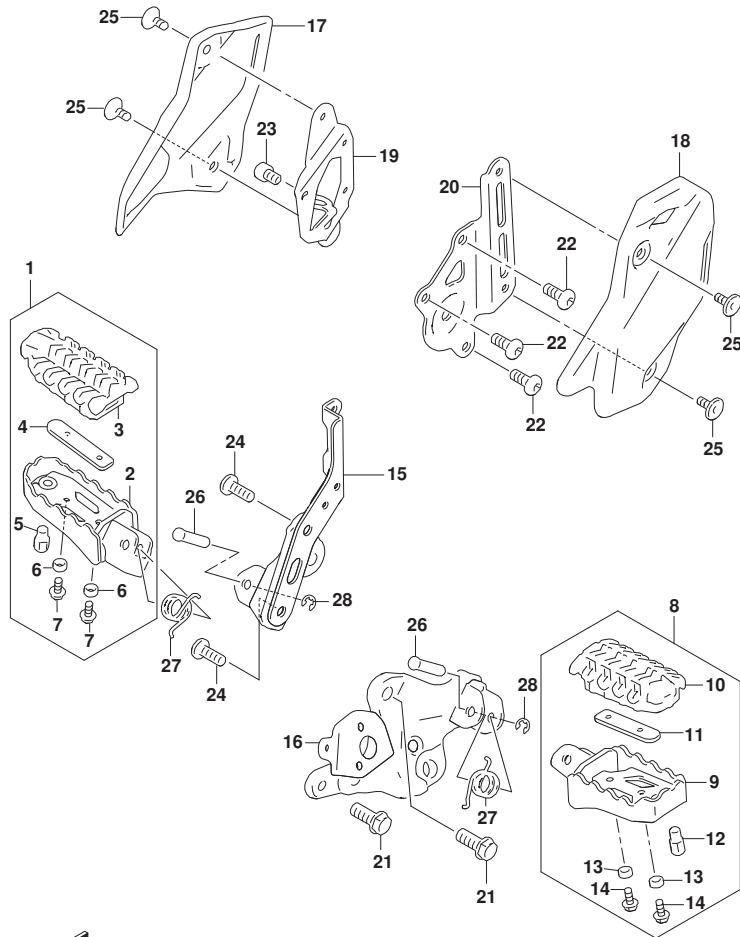


FIG.417A

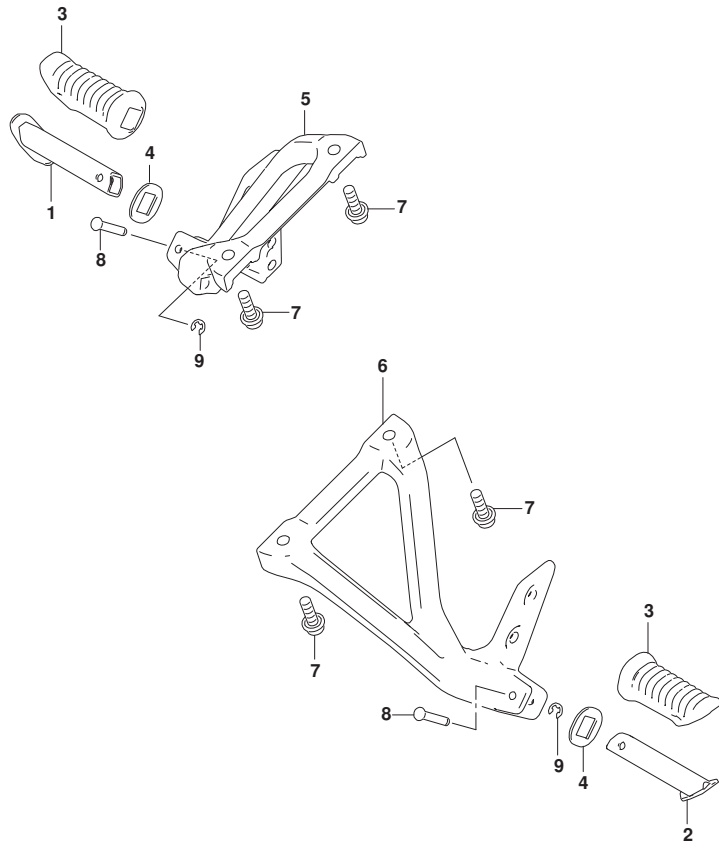


FIG.417A (1-E-6) PILLION FOOTREST

REF NO.	PART NO.	DESCRIPTION	Q'TY	REMARKS
1	43610-34A70	BAR,PILLION FOOTREST,R	1	
2	43710-34A70	BAR,PILLION FOOTREST,L	1	
3	43612-33G40	RUBBER,PILLION FOOTREST	2	
4	43631-34A01	WASHER,FOOTREST RUBBER	2	
5	43811-25LA0	BRACKET,PILLION FOOTREST,R	1	
6	43821-25LA0	BRACKET,PILLION FOOTREST,L	1	
7	09106-08151	BOLT (8X25)	4	
8	09208-06012	PIN,PILLION FOOTREST	2	
9	08332-1104B	E RING	2	



FIG.420A

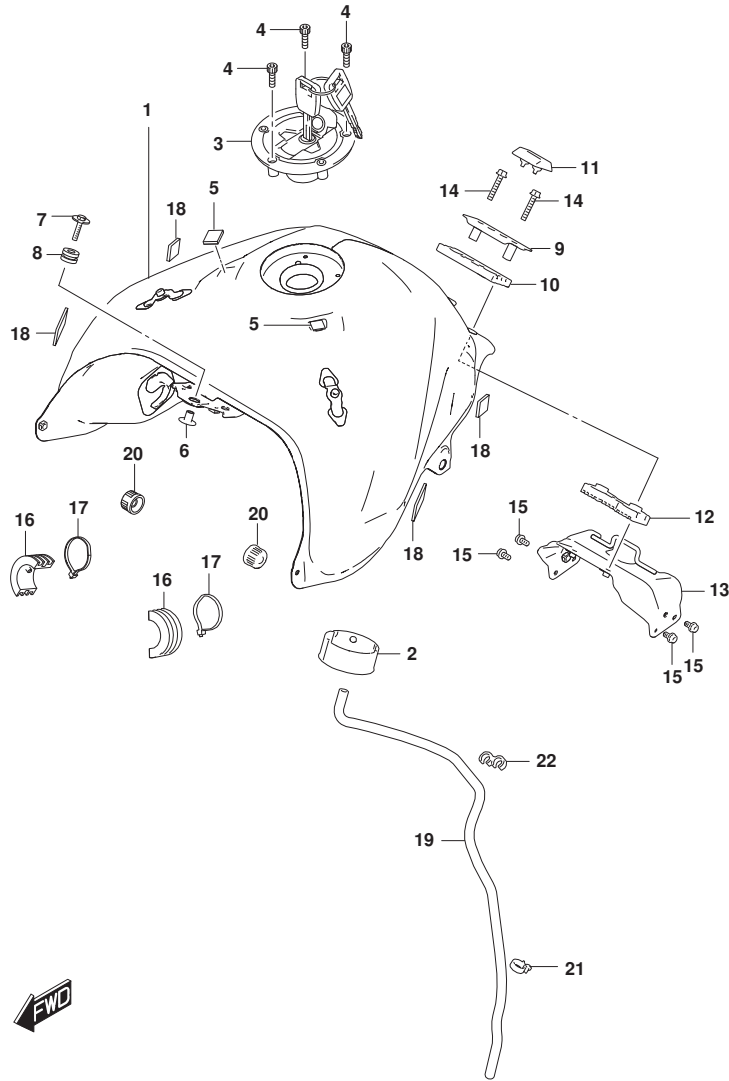


FIG.420A (1-E-7) FUEL TANK

REF NO.	PART NO.	DESCRIPTION	Q'TY	REMARKS
1-1	44100-25LA0-QT7	TANK ASSY,FUEL (GRAY)	1	BODY COLOR:QT7
1-2	44100-25LA0-YU1	TANK ASSY,FUEL (YELLOW)	1	BODY COLOR:YU1
1-3	44100-25LA0-YVB	TANK ASSY,FUEL (BLACK)	1	BODY COLOR:YVB
2	44121-07L00	VESSEL,FUEL TANK INNER	1	
3	44200-17840	CAP SET,FUEL TANK FILLER	1	
4	44244-11J00	BOLT,FUEL TANK FILLER CAP	3	
5	44572-44G00	FASTENER (20X15X2.6)	2	
6	44512-04K00	SPACER,FUEL TANK FRONT	1	
7	09116-06172	BOLT (6X30)	1	
8	09320-10050	CUSHION (10X22X13)	1	
9	44530-25LA0	BRACKET,FUEL TANK REAR UP	1	
10	44542-25LA0	CUSHION,FUEL TANK REAR UPPER	1	
11	44543-25LA0	CUSHION,FUEL TANK REAR BRKT	1	
12	44545-25LA0	CUSHION,FUEL TANK REAR LOWER	1	
13	44550-25LA0	BRACKET,FUEL TANK REAR	1	
14	01550-0635A	BOLT	2	
15	07120-0612A	BOLT	4	
16	44541-25L00	CUSHION,FUEL TANK SIDE	2	
17	09407-20405	CLAMP (L:202)	2	
18	44572-13G00	FASTENER (33X25X2.6)	4	
19	44423-25LA0	HOSE,FUEL TANK WATER DRAIN	1	
20	44542-25L00	CUSHION,FUEL TANK FRONT	2	
21	09403-16412	CLAMP	1	
22	09408-00043	CLAMP (ID:11.8X2)	1	

FIG.423A

FIG.423A (1-E-8) FUEL TANK COVER

REF NO.	PART NO.	DESCRIPTION	Q'TY	REMARKS
1-1	44291-25LA0-QT7	COVER,FUEL TANK FRONT (GRAY)	1	BODY COLOR:QT7
1-2	44291-25LA0-YU1	COVER,FUEL TANK FRONT (YELLOW)	1	BODY COLOR:YU1
1-3	44291-25LA0-YVB	COVER,FUEL TANK FRONT (BLACK)	1	BODY COLOR:YVB
2	44292-25LA0	CUSHION,FUEL TANK COVER NO.1	4	
3	44293-25LA0	CUSHION,FUEL TANK COVER NO.2	2	
4	44294-43H20	CUSHION,FUEL TANK COVER NO.4	2	
5	44513-07L10	SCREW,FUEL TANK COVER	2	
6	44572-44G00	FASTENER (20X15X2.6)	2	
7	09409-06328	CLIP	2	

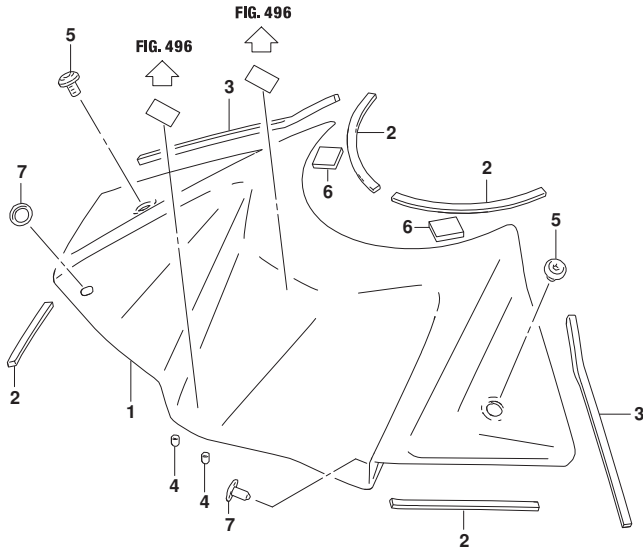


FIG.427A



FIG.427A (1-E-9) EVAP SYSTEM

REF NO.	PART NO.	DESCRIPTION	Q'TY	REMARKS
1	18114-74P00	VALVE,CANISTER PURGE	1	
2	18560-25L00	CANISTER ASSY, EVAP	1	
3	18565-25L00	COVER,CANISTER	1	
4	18568-25L00	CLIP, EVAP HOSE NO.1	1	
5	18572-25L00	CUSHION,CANISTER	1	
6	09401-10401	CLIP	2	
7	09401-11403	CLIP (ID:11)	3	
8	01547-0612A	BOLT	2	
9	18570-25L00	BRACKET,CANISTER	1	
10	08316-1006A	NUT (6X12)	1	
11	18561-25L00	HOSE,SURGE	1	
12	18562-25L00	HOSE,PURGE NO.1	1	
13	18563-25L00	HOSE,PURGE NO.2	1	

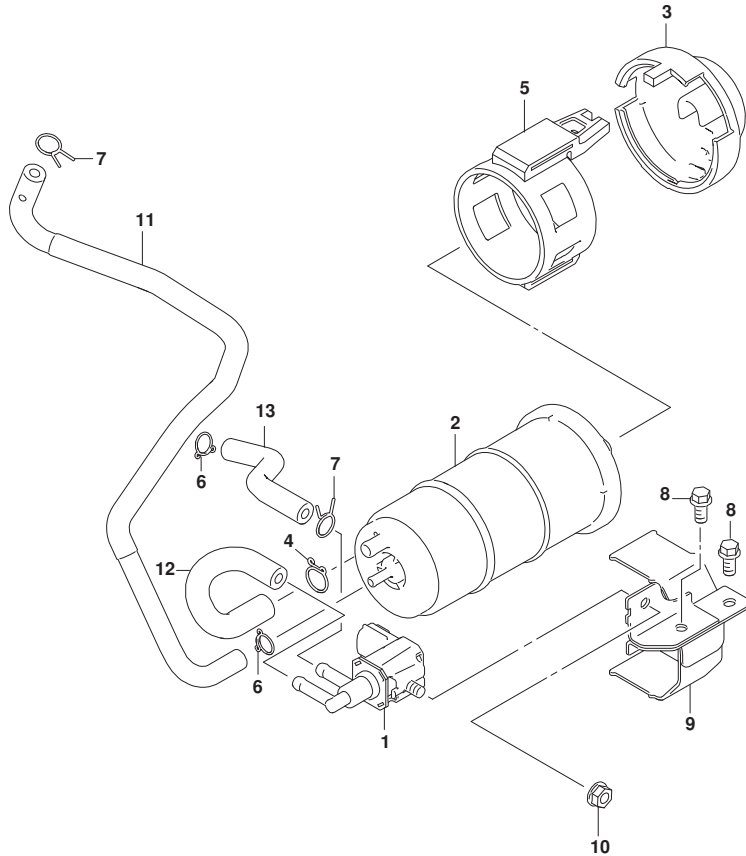


FIG.433A

FIG.433A (1-E-10) SIDE COVER

REF NO.	PART NO.	DESCRIPTION	Q'TY	REMARKS
1-1	94420-25L01-QT7	COVER,SIDE,R (GRAY)	1	BODY COLOR:QT7
1-2	94420-25L01-YU1	COVER,SIDE,R (YELLOW)	1	BODY COLOR:YU1
1-3	94420-25L01-YVB	COVER,SIDE,R (BLACK)	1	BODY COLOR:YVB
2-1	68111-47C10-YKV	EMBLEM,"SUZUKI" (BLACK)	1	BODY COLOR:QT7,YU1
2-2	68111-47C10-YLF	EMBLEM,"SUZUKI" (GRAY)	1	BODY COLOR:YVB
3-1	68271-25L00-CJ5	EMBLEM,SIDE COVER,R	1	BODY COLOR:QT7
3-2	68271-25L00-CJ6	EMBLEM,SIDE COVER,R	1	BODY COLOR:YU1
3-3	68271-25L00-CJ7	EMBLEM,SIDE COVER,R (GRAY,SILVER,BLACK)	1	BODY COLOR:YVB
4-1	68275-25L00-CJ5	.TAPE,SIDE COVER,R	1	BODY COLOR:QT7
4-2	68275-25L00-CJ6	.TAPE,SIDE COVER,R	1	BODY COLOR:YU1
4-3	68275-25L00-CJ7	.TAPE,SIDE COVER,R (GRAY,SILVER,BLACK)	1	BODY COLOR:YVB
5-1	94430-25L01-QT7	COVER,SIDE,L (GRAY)	1	BODY COLOR:QT7
5-2	94430-25L01-YU1	COVER,SIDE,L (YELLOW)	1	BODY COLOR:YU1
5-3	94430-25L01-YVB	COVER,SIDE,L (BLACK)	1	BODY COLOR:YVB
6-1	68111-47C10-YKV	EMBLEM,"SUZUKI" (BLACK)	1	BODY COLOR:QT7,YU1
6-2	68111-47C10-YLF	EMBLEM,"SUZUKI" (GRAY)	1	BODY COLOR:YVB
7-1	68281-25L00-CJ5	EMBLEM,SIDE COVER,L	1	BODY COLOR:QT7
7-2	68281-25L00-CJ6	EMBLEM,SIDE COVER,L	1	BODY COLOR:YU1
7-3	68281-25L00-CJ7	EMBLEM,SIDE COVER,L (GRAY,SILVER,BLACK)	1	BODY COLOR:YVB
8-1	68285-25L00-CJ5	.TAPE,SIDE COVER,L	1	BODY COLOR:QT7
8-2	68285-25L00-CJ6	.TAPE,SIDE COVER,L	1	BODY COLOR:YU1
8-3	68285-25L00-CJ7	.TAPE,SIDE COVER,L (GRAY,SILVER,BLACK)	1	BODY COLOR:YVB
9-1	94442-25LA0-YU1	GARNISH,SIDE COVER,R (YELLOW)	1	BODY COLOR:QT7
9-2	94442-25LA0-Y2W	GARNISH,SIDE COVER,R (BLUE)	1	BODY COLOR:YU1,YVB
10-1	94452-25LA0-YU1	GARNISH,SIDE COVER,L (YELLOW)	1	BODY COLOR:QT7
10-2	94452-25LA0-Y2W	GARNISH,SIDE COVER,L (BLUE)	1	BODY COLOR:YU1,YVB
11	09139-05091	SCREW (5X13)	2	
12	09409-08012	CLIP	4	
13	09409-10314	CLIP	2	
14	03541-0512A	SCREW	6	
15	03541-0516A	SCREW	6	

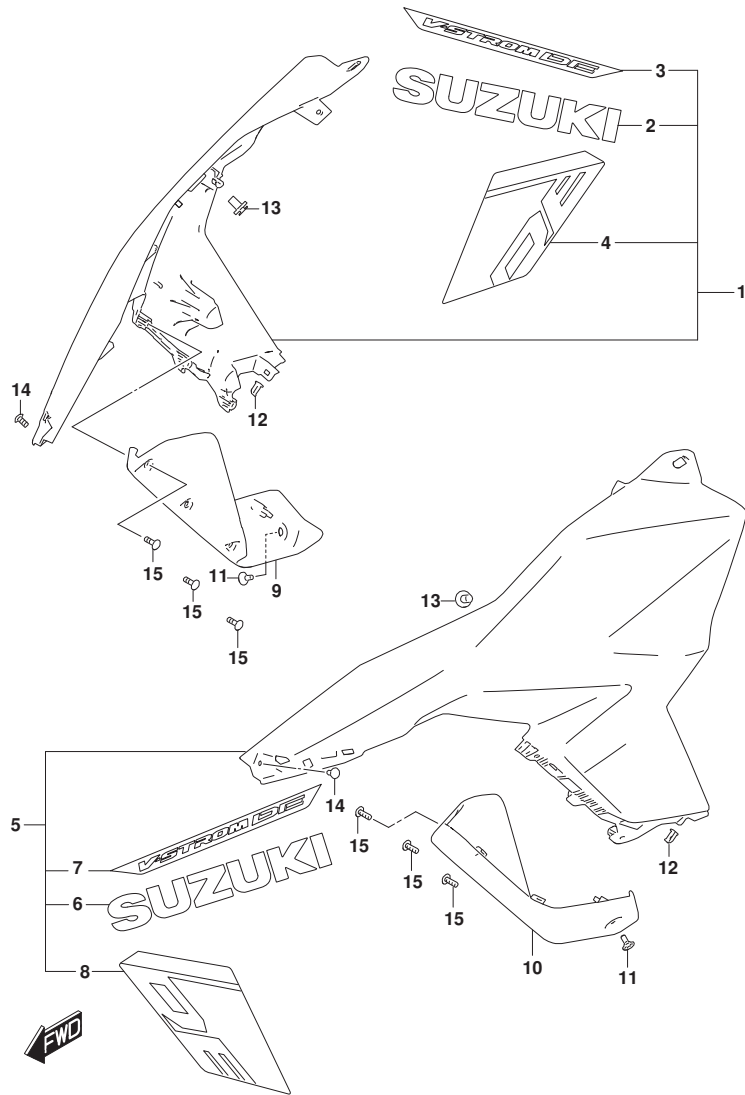


FIG.444A

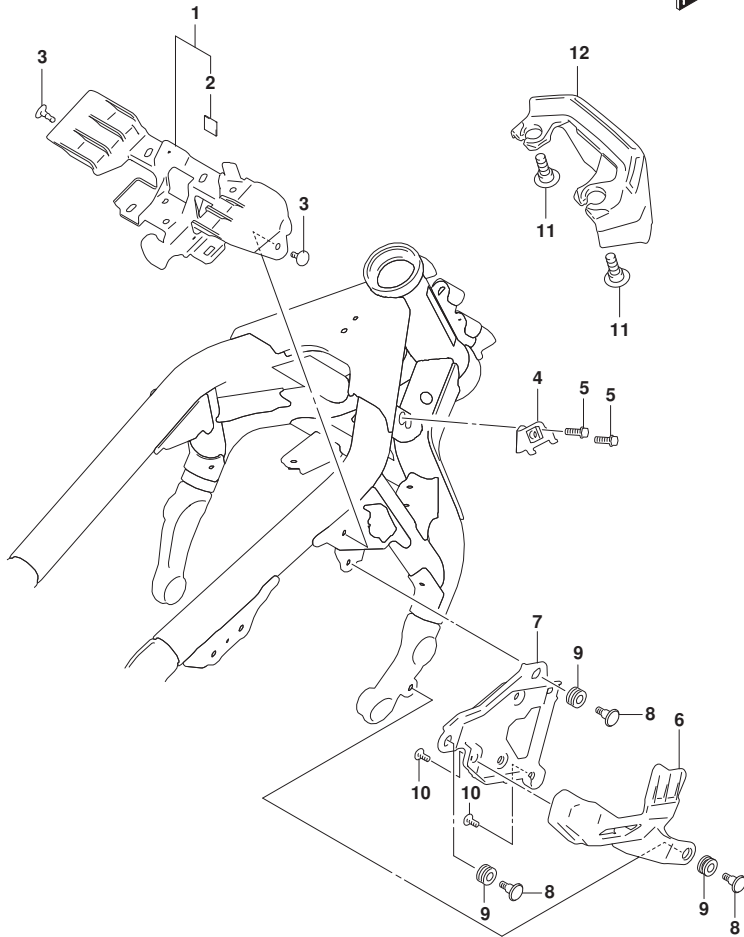


FIG.444A (1-E-11) FRONT BRACKET

REF NO.	PART NO.	DESCRIPTION	Q'TY	REMARKS
1	47430-25L00	BRACKET,COUPLER	1	
2	94429-20K00	.CUSHION (15X15X1)	4	
3	94479-35F00	CLIP	2	
4	46420-25L00	BRACKET,HORN	1	
5	01547-0616B	BOLT	2	
6	47436-25L00	GUARD,RECTIFIER	1	
7	47437-25L00	HOLDER,RECTIFIER	1	
8	09139-06211	SCREW (6X20)	3	
9	09320-09016	CUSHION (9X18X9.5)	3	
10	03541-0512A	SCREW	2	
11	09139-05073	BOLT (5X16)	2	
12	94415-25LA0	GUARD,KEY CYLINDER	1	

FIG.445A

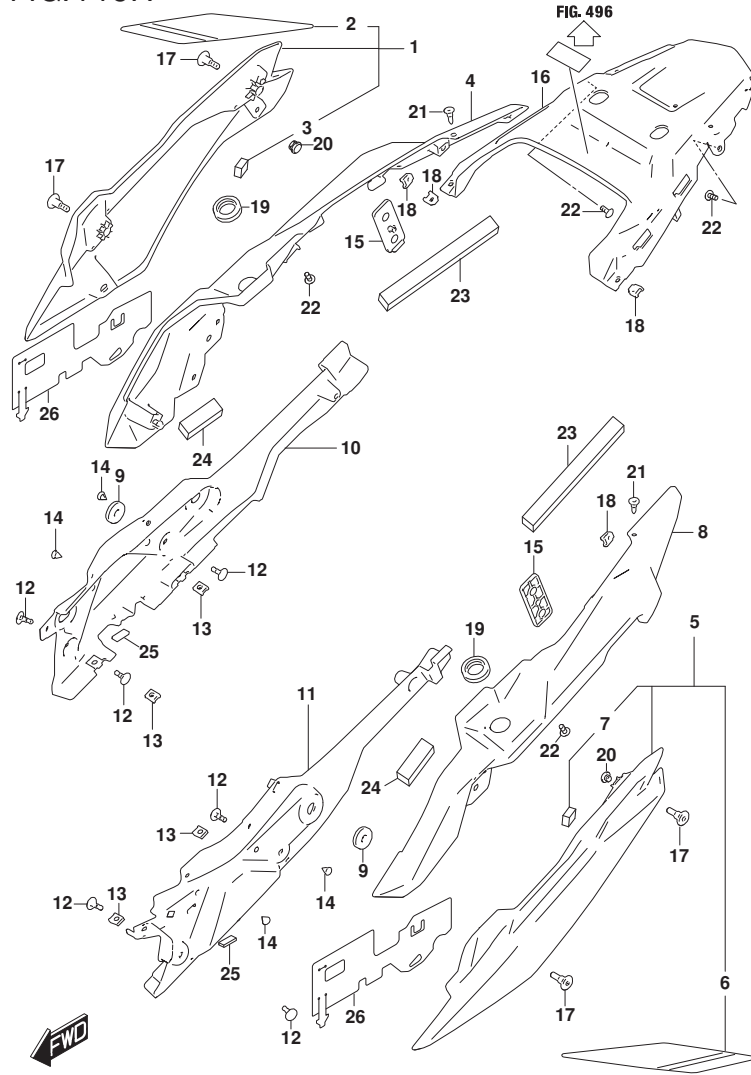


FIG.445A (1-E-12) FRAME COVER

REF NO.	PART NO.	DESCRIPTION	Q'TY	REMARKS
1-1	47410-25L00-019	COVER,FRAME SIDE,R (BLACK)	1	BODY COLOR:QT7
1-2	47410-25L00-Y2W	COVER,FRAME SIDE,R (BLUE)	1	BODY COLOR:YU1
1-3	47410-25L00-CTX	COVER,FRAME SIDE,R	1	BODY COLOR:YVB
2-1	68135-25L00-CJ2	.TAPE,FRAME COVER SIDE,R	1	BODY COLOR:QT7
2-2	68135-25L00-CJ3	.TAPE,FRAME COVER SIDE,R	1	BODY COLOR:YU1
2-3	68135-25L00-CJ4	.TAPE,FRAME COVER SIDE,R	1	BODY COLOR:YVB
3	47117-25LA0	.CUSHION	1	
4-1	47411-25LA0-QT7	COVER,FRAME REAR,R (GRAY)	1	BODY COLOR:QT7
4-2	47411-25LA0-YU1	COVER,FRAME REAR,R (YELLOW)	1	BODY COLOR:YU1
4-3	47411-25LA0-YVB	COVER,FRAME REAR,R (BLACK)	1	BODY COLOR:YVB
5-1	47510-25L00-019	COVER,FRAME SIDE,L (BLACK)	1	BODY COLOR:QT7
5-2	47510-25L00-Y2W	COVER,FRAME SIDE,L (BLUE)	1	BODY COLOR:YU1
5-3	47510-25L00-CTX	COVER,FRAME SIDE,L	1	BODY COLOR:YVB
6-1	68145-25L00-CJ2	.TAPE,FRAME COVER SIDE,L	1	BODY COLOR:QT7
6-2	68145-25L00-CJ3	.TAPE,FRAME COVER SIDE,L	1	BODY COLOR:YU1
6-3	68145-25L00-CJ4	.TAPE,FRAME COVER SIDE,L	1	BODY COLOR:YVB
7	47117-25LA0	.CUSHION	1	
8-1	47511-25LA0-QT7	COVER,FRAME REAR,L (GRAY)	1	BODY COLOR:QT7
8-2	47511-25LA0-YU1	COVER,FRAME REAR,L (YELLOW)	1	BODY COLOR:YU1
8-3	47511-25LA0-YVB	COVER,FRAME REAR,L (BLACK)	1	BODY COLOR:YVB
9	09320-08018	CUSHION (8X26X7)	2	
10	47311-25LA0	COVER,FRAME INNER,R	1	
11	47321-25LA0	COVER,FRAME INNER,L	1	
12	94479-35F00	CLIP	6	
13	09148-05038	NUT (M5)	4	
14	09250-06017	PLUG (OD:10)	4	
15	47510-28K00	SPACER,FRAME COVER	2	
16-1	47711-25LA0-YU1	COVER,FRAME REAR CTR (YELLOW)	1	BODY COLOR:QT7
16-2	47711-25LA0-Y2W	COVER,FRAME REAR CTR (BLUE)	1	BODY COLOR:YU1,YVB
17	47913-06L00	SCREW	4	
18	09148-05045	NUT (M5)	4	
19	09320-20011	CUSHION (20X32X9)	2	
20	09321-05023	CUSHION	2	
21	09409-06314	CLIP (5.9X20.5)	2	
22	03541-0512A	SCREW	4	

FIG.445A

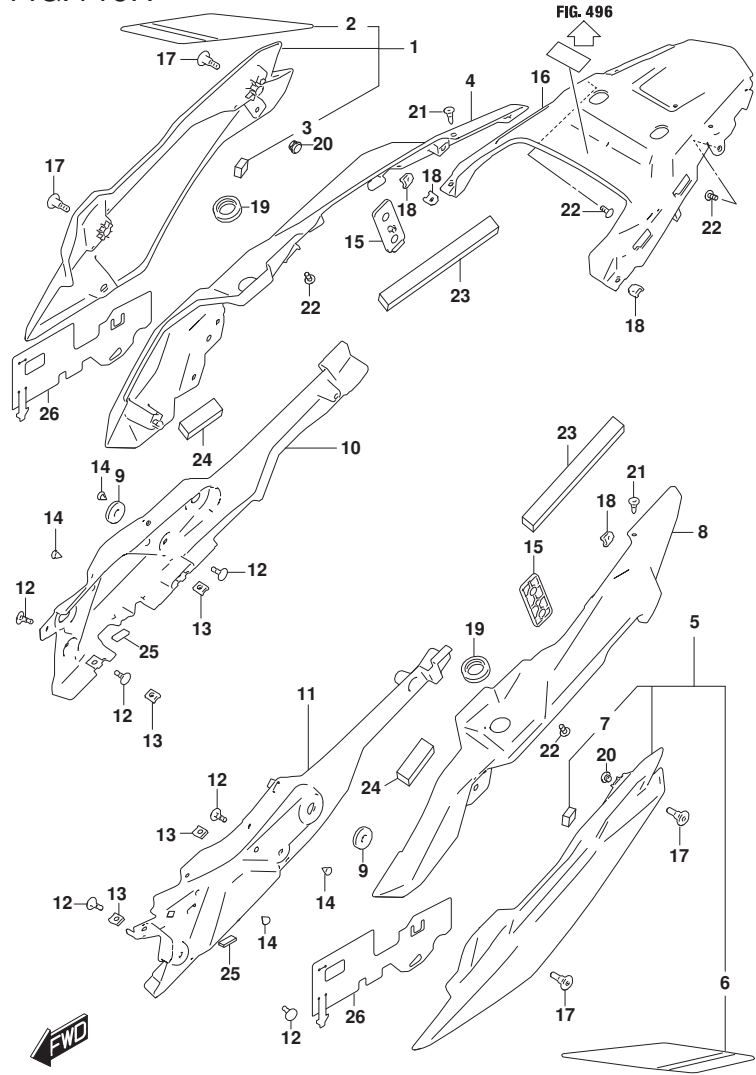


FIG.445A (1-E-13) FRAME COVER

REF NO.	PART NO.	DESCRIPTION	Q'TY	REMARKS
23	47213-25LA0	CUSHION,FRAME COVER REAR	2	
24	47215-25LA0	CUSHION,FRAME COVER REAR	2	
25	94413-08F00	CUSHION,CENTER PANEL,UPPER	2	
26	47166-25LA0	SHIELD,FRAME COVER	2	

FIG.447A

FIG.447A (1-E-14) FRAME BODY COVER

REF NO.	PART NO.	DESCRIPTION	Q'TY	REMARKS
1-1	47110-25LA0-019	COVER,FRAME,R (BLACK)	1	BODY COLOR:QT7
1-2	47110-25LA0-Y2W	COVER,FRAME,R (BLUE)	1	BODY COLOR:YU1,YVB
2	47118-25LA0	.CUSHION,FRAME COVER	1	
3	47123-17K00	.CUSHION (20X20X1)	1	
4	51827-18K00	.CUSHION,METER COVER (10X30X5)	1	
5	47119-25LA0	.CUSHION,FRAME COVER	1	
6-1	47210-25LA0-019	COVER,FRAME,L (BLACK)	1	BODY COLOR:QT7
6-2	47210-25LA0-Y2W	COVER,FRAME,L (BLUE)	1	BODY COLOR:YU1,YVB
7	33652-48E00	.CUSHION,REAR COMB	1	
8	47118-25LA0	.CUSHION,FRAME COVER	1	
9	47123-17K00	.CUSHION (20X20X1)	1	
10	51827-18K00	.CUSHION,METER COVER (10X30X5)	1	
11	47119-25LA0	.CUSHION,FRAME COVER	1	
12	94478-14J00	CUSHION	2	
13	09148-05052	NUT (M5)	2	
14	09320-08018	CUSHION (8X26X7)	2	
15	09329-14003	CUSHION (14X20X9)	2	
16	09409-08326	CLIP (10.5X14.3)	2	
17	47121-25LA0	COVER,FRAME LOWER,R	1	
18	47221-25LA0	COVER,FRAME LOWER,L	1	
19	94429-21E00	CUSHION,PIVOT COVER NO.2 (10X30X2)	4	
20	09139-06245	SCREW,FRAME COVER LOWER	4	
21	09409-08326	CLIP (10.5X14.3)	1	
22	09320-08029	CUSHION	1	
23	09111-06106	BOLT (6X12)	2	

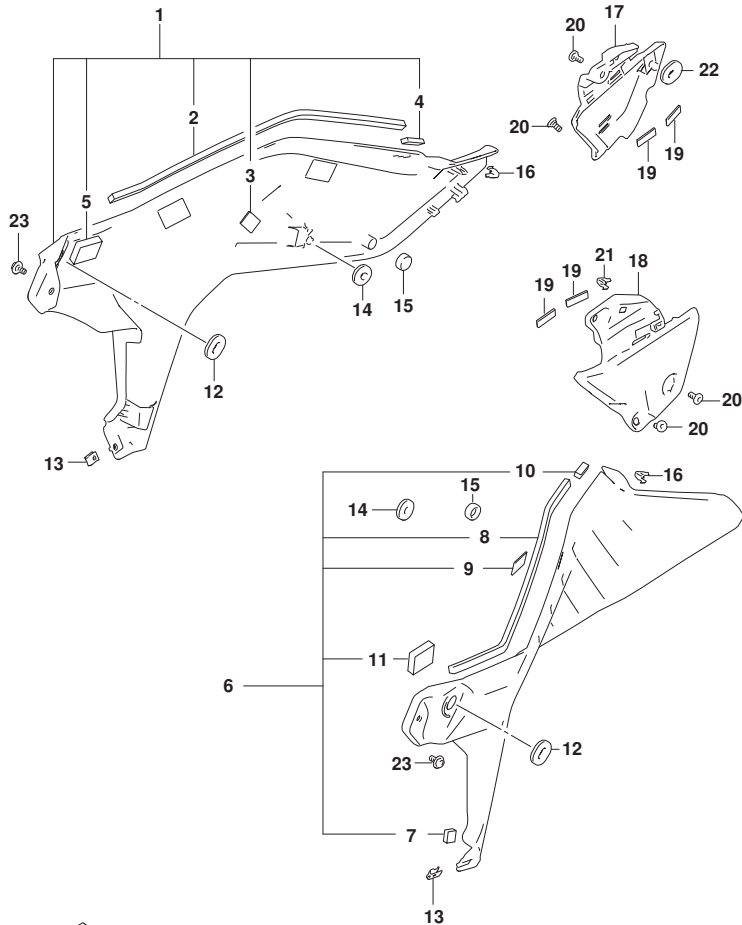


FIG.454A

FIG.454A (1-E-15) WINDSCREEN

REF NO.	PART NO.	DESCRIPTION	Q'TY	REMARKS
1	94611-25LA0	WINDSCREEN	1	
2	09139-05066	SCREW (5X18)	4	
3	09159-05048	NUT	4	
4	09161-05010	WASHER,5.2X11X1 (5.2X11.0X1.0)	4	

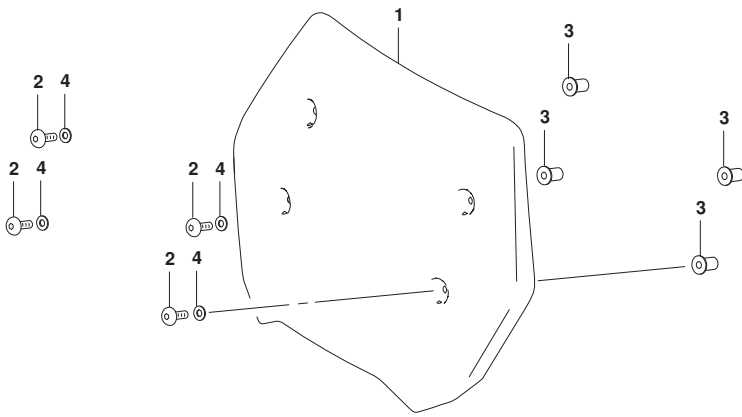


FIG.460A

FIG.460A (1-E-16) FRONT FENDER

REF NO.	PART NO.	DESCRIPTION	Q'TY	REMARKS
1	53111-25LA0	FENDER,FRONT	1	
2-1	53120-25L10-YU1	COVER,FRONT FENDER SIDE,R (YEL LOW)	1	BODY COLOR:QT7
2-2	53120-25L10-Y2W	COVER,FRONT FENDER SIDE,R (BLU E)	1	BODY COLOR:YU1
2-3	53120-25L10-CTX	COVER,FRONT FENDER SIDE,R	1	BODY COLOR:YVB
3-1	68155-25L00-CJ5	.TAPE,FRONT FENDER SIDE COVER, R	1	BODY COLOR:QT7
3-2	68155-25L00-CJ6	.TAPE,FRONT FENDER SIDE COVER, R	1	BODY COLOR:YU1
3-3	68155-25L00-CJ8	.TAPE,FRONT FENDER SIDE COVER, R	1	BODY COLOR:YVB
4-1	53130-25L10-YU1	COVER,FRONT FENDER SIDE,L (YEL LOW)	1	BODY COLOR:QT7
4-2	53130-25L10-Y2W	COVER,FRONT FENDER SIDE,L (BLU E)	1	BODY COLOR:YU1
4-3	53130-25L10-CTX	COVER,FRONT FENDER SIDE,L	1	BODY COLOR:YVB
5-1	68165-25L00-CJ5	.TAPE,FRONT FENDER SIDE COVER, L	1	BODY COLOR:QT7
5-2	68165-25L00-CJ6	.TAPE,FRONT FENDER SIDE COVER, L	1	BODY COLOR:YU1
5-3	68165-25L00-CJ8	.TAPE,FRONT FENDER SIDE COVER, L	1	BODY COLOR:YVB
6	09116-06188	BOLT (6X20)	4	
7	09139-05091	SCREW (5X13)	4	
8	09139-06221	SCREW (6X16)	2	
9	09148-05052	NUT (M5)	4	
10	09180-06086	SPACER,6X9.8X6 (6X9.8X6)	4	

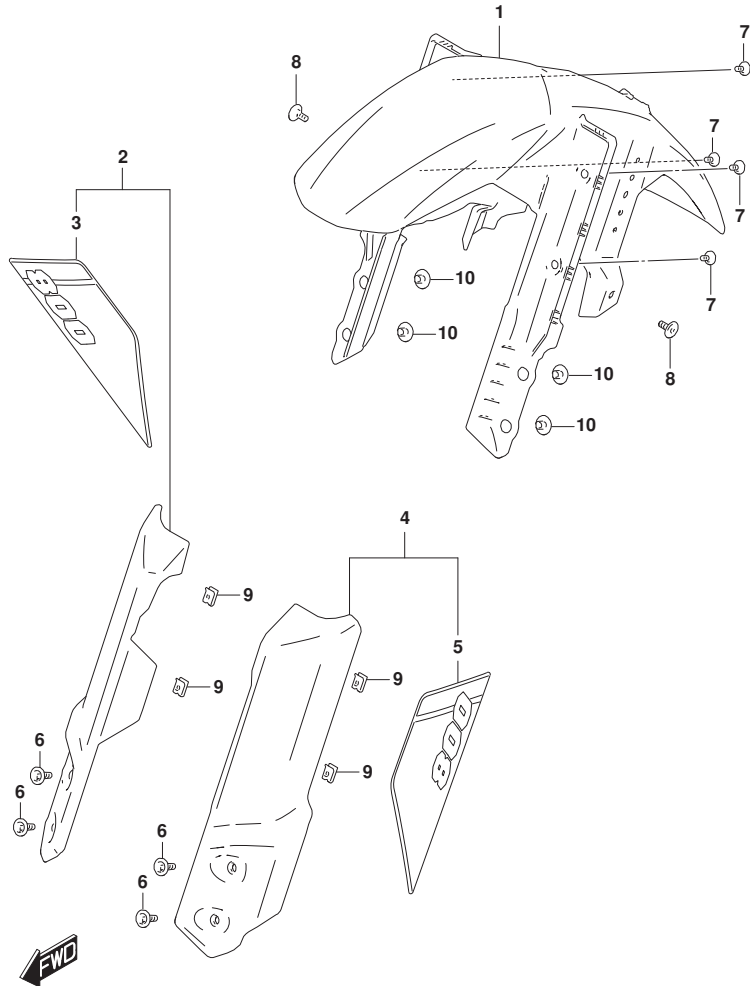


FIG.462A

FIG.462A (1-F-2) HANDLEBAR

REF NO.	PART NO.	DESCRIPTION	Q'TY	REMARKS
1	56111-25L10	HANDLEBAR	1	
2	56277-06L10	BOLT,BALANCER	2	
3	56278-25L00	BALANCER,HANDLEBAR	2	
4	57346-06L00	SPACER,BALANCER	2	

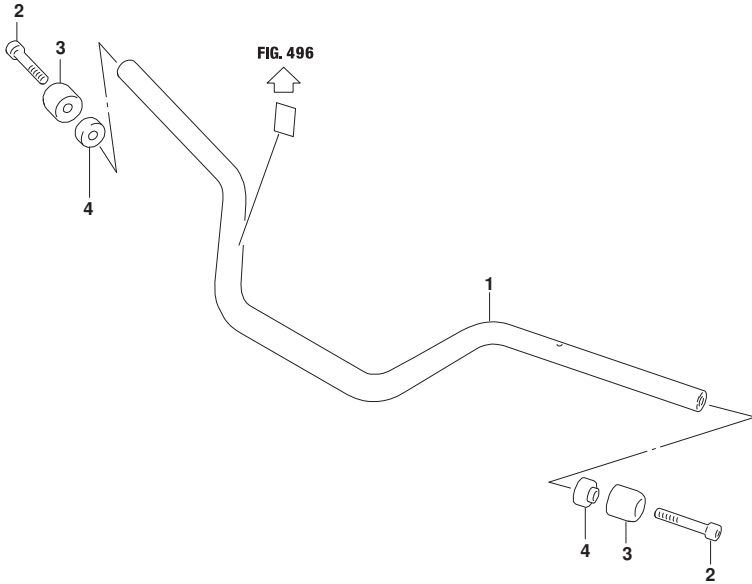


FIG.464A

FIG.464A (1-F-3) REAR VIEW MIRROR

REF NO.	PART NO.	DESCRIPTION	Q'TY	REMARKS
1	56500-06L30	MIRROR ASSY,REAR VIEW,R	1	
2	56600-06L30	MIRROR ASSY,REAR VIEW,L	1	

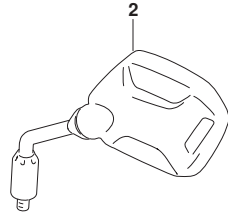
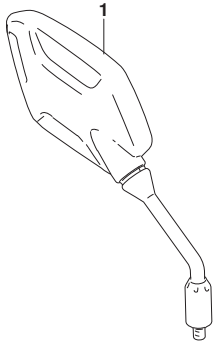


FIG.466A

FIG.466A (1-F-4) CONTROL CABLE

REF NO.	PART NO.	DESCRIPTION	Q'TY	REMARKS
1	58200-25L20	CABLE ASSY,CLUTCH	1	
2	58620-25L00	GUIDE,CLUTCH CABLE	1	
3	58634-25L00	STOPPER,CLUTCH CABLE	1	
4	09403-20311	CLAMP,GEAR SHIFT SW	1	
5	09407-17403	CLAMP (L:170)	1	
6	01547-0612A	BOLT	2	
7	01550-0616A	BOLT	2	

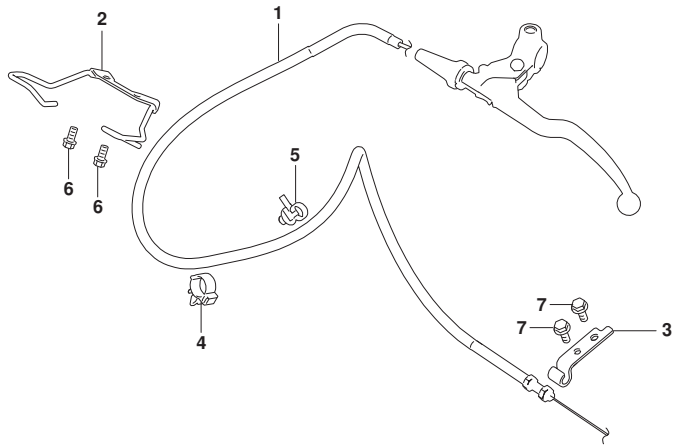


FIG.467A

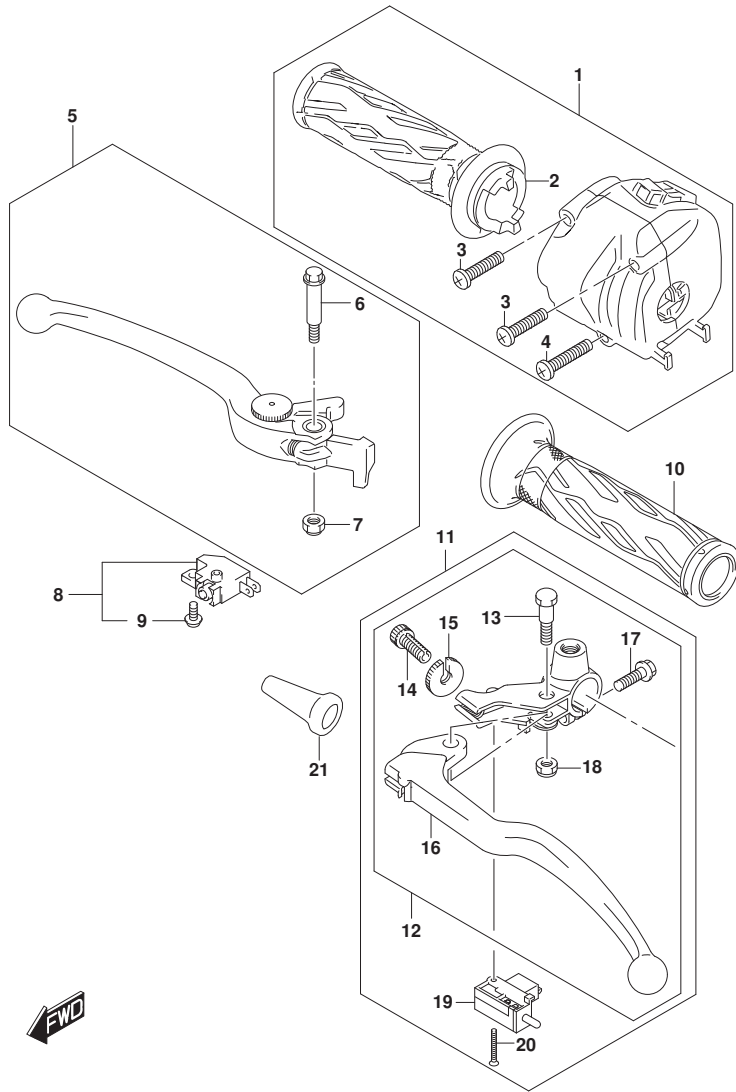


FIG.467A (1-F-5) HANDLE LEVER

REF NO.	PART NO.	DESCRIPTION	Q'TY	REMARKS
1	57100-06L70	GRIP ASSY, THROTTLE	1	
2	57110-06L00	.GRIP, THROTTLE	1	
3	02112-0530B	.SCREW	2	
4	02112-0540B	.SCREW	1	
5	57300-14G40	LEVER ASSY, BRAKE	1	
6	57431-17H02	.BOLT, LEVER PIVOT	1	
7	08319-2106A	.NUT	1	
8	57460-14J02	SWITCH ASSY, FR BRAKE	1	
9	57465-17C00	.SCREW, WITH WASHER (4X12)	1	
10	57211-21H01	GRIP, L	1	
11	57059-25D50	LEVER SET, CLUTCH	1	
12	57500-25D50	.LEVER ASSY, CLUTCH	1	
13	57431-21D11	..BOLT, LEVER PIVOT	1	
14	57441-25L00	..ADJUSTER, WIRE	1	
15	57442-08C01	..NUT, LOCK	1	
16	57621-25D10	..LEVER, CLUTCH	1	
17	01547-0620B	..BOLT	1	
18	08319-2106A	..NUT	1	
19	57560-05A00	..SWITCH, CLUTCH	1	
20	57562-41G01	.SCREW, CLUTCH SWITCH	1	
21	58273-31001	BOOT, CLUTCH CABLE	1	

FIG.472A

FIG.472A (1-F-6) KNUCKLE COVER

REF NO.	PART NO.	DESCRIPTION	Q'TY	REMARKS
1	57341-06L01	COVER,KNUCKLE RH	1	
2	57342-06L00	BRACKET,KNUCKLE COVER,R	1	
3	57541-06L01	COVER,KNUCKLE LH	1	
4	57542-48K30	BRACKET,KNUCKLE COVER,L	1	
5	09139-05092	SCREW (5X13)	4	
6	09148-05052	NUT (M5)	4	
7	09321-06026	CUSHION	1	
8	09321-06036	CUSHION	1	

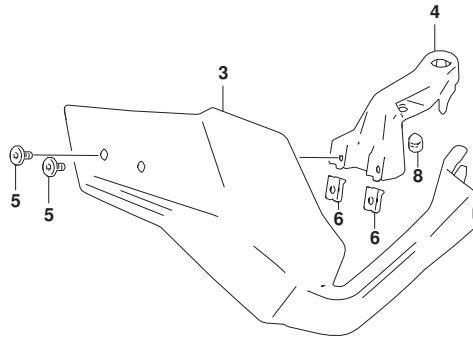
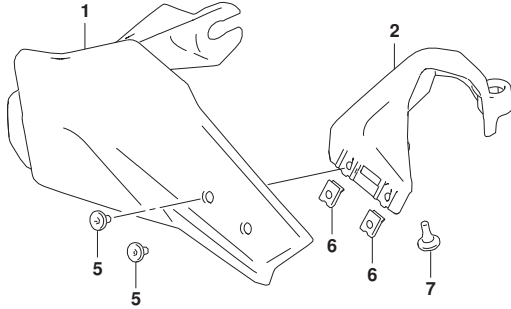


FIG.474A

FIG.474A (1-F-7) REAR FENDER

REF NO.	PART NO.	DESCRIPTION	Q'TY	REMARKS
1	63111-25LA0	FENDER,REAR FRONT	1	
2	63112-25LA0	FENDER,REAR REAR	1	
3	63311-25LA0	EXTENSION,REAR FENDER	1	
4	09111-06106	BOLT (6X12)	6	
5	09409-06314	CLIP (5.9X20.5)	2	
6	09409-06314	CLIP (5.9X20.5)	2	
7	03541-0512A	SCREW	4	
8	63118-25LA0	SCREW,REAR FENDER REAR	4	
9	09139-06225	SCREW (6X12)	1	
10	09321-06026	CUSHION	1	
11	94429-21E00	CUSHION,PIVOT COVER NO.2 (10X3 0X2)	2	
12	44555-33H00	CUSHION,TANK COVER LWR NO.1	1	
13	63119-25LA0	CUSHION,LAMP SIDE,R	1	
14	63219-25LA0	CUSHION,LAMP SIDE,L	1	
15	63117-25LA0	CUSHION,AIR CLEANER	1	
16	08322-0106B	WASHER	2	

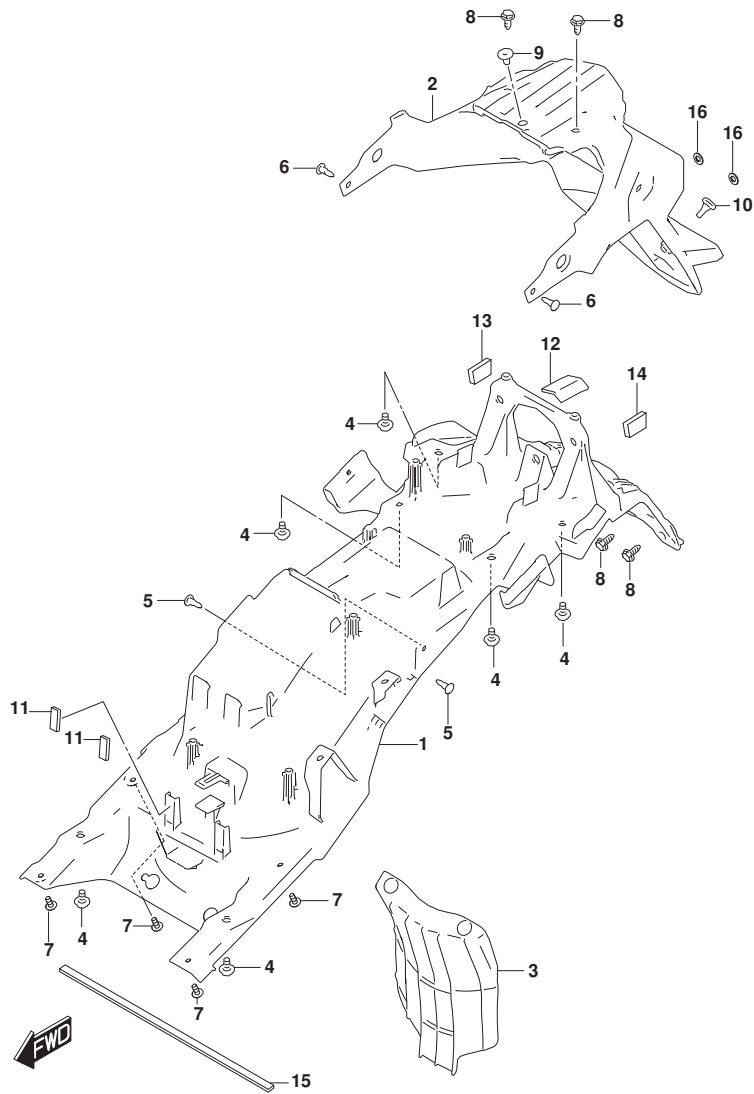


FIG.481A

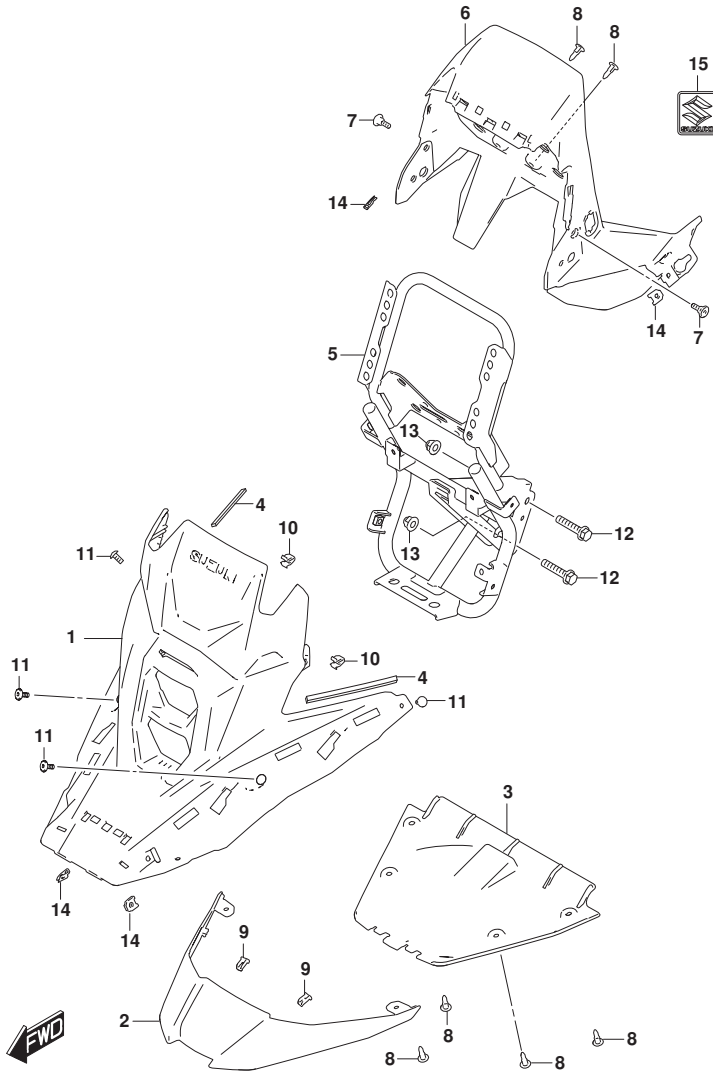


FIG.481A (1-F-8) COWLING BODY

REF NO.	PART NO.	DESCRIPTION	Q'TY	REMARKS
1	94411-25LA0	COWLING,BODY	1	
2-1	94413-25LA0-YU1	COWLING,BODY LOWER (YELLOW)	1	BODY COLOR:QT7
2-2	94413-25LA0-Y2W	COWLING,BODY LOWER (BLUE)	1	BODY COLOR:YU1,YVB
3	94414-25LA0	COWLING,BODY INNER	1	
4	94416-25LA0	CUSHION,COWLING BODY	2	
5	94510-25LA0	BRACE,COWLING	1	
6	94631-25LA0	PANEL,METER	1	
7	09139-05094	SCREW (5X18)	2	
8	09409-06314	CLIP (5.9X20.5)	8	
9	09409-08012	CLIP	2	
10	09409-08326	CLIP (10.5X14.3)	2	
11	03541-0512A	SCREW	4	
12	01550-0840A	BOLT	2	
13	08313-2008A	NUT	2	
14	09148-05045	NUT (M5)	4	
15	68281-47HA0	EMBLEM,S	1	

FIG.483A

FIG.483A (1-F-9) UNDER COWLING

REF NO.	PART NO.	DESCRIPTION	Q'TY	REMARKS
1	94491-25LA0	COVER,UNDER	1	
2	94492-25LA0	SHIELD,UNDER COVER HEAT NO.1	1	
3	94493-25LA0	SHIELD,UNDER COVER HEAT NO.2	1	
4	94494-25LA0	SHIELD,UNDER COVER HEAT NO.3	1	
5	94495-25LA0	SHIELD,UNDER COVER HEAT NO.4	1	
6	09111-06262	BOLT (6X13.5)	2	
7	09139-06206	SCREW (6X20)	2	
8	09320-09016	CUSHION (9X18X9.5)	2	

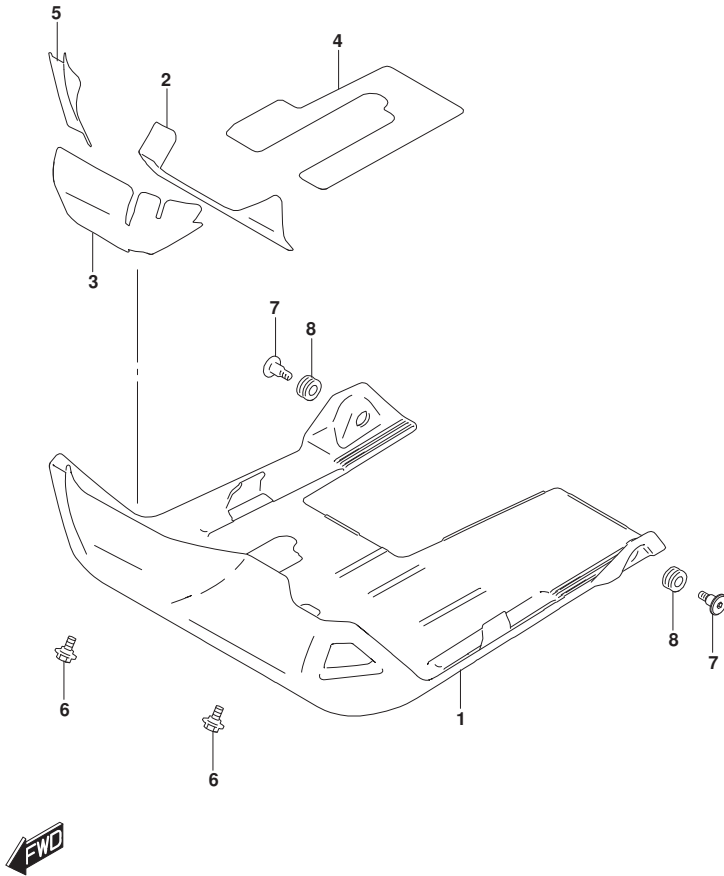


FIG.496A

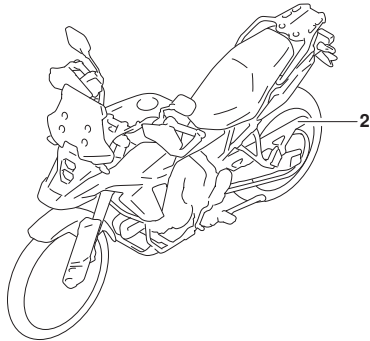
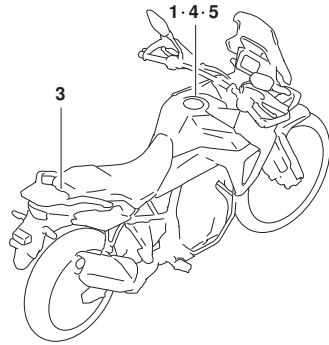


FIG.496A (1-F-10) LABEL

REF NO.	PART NO.	DESCRIPTION	Q'TY	REMARKS
1	68319-06L00	LABEL,GENERAL WARNING	1	
2	68332-25L60	LABEL,TIRE INFORMATION	1	
3	68391-06L00	LABEL,CARRIER WARNING	1	
4	11959-10L30	LABEL,GASOLINE	1	
5	68318-17KJ0	LABEL,HELMET	1	

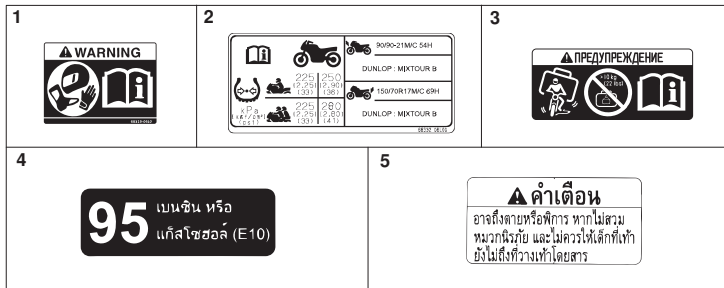


FIG.497A

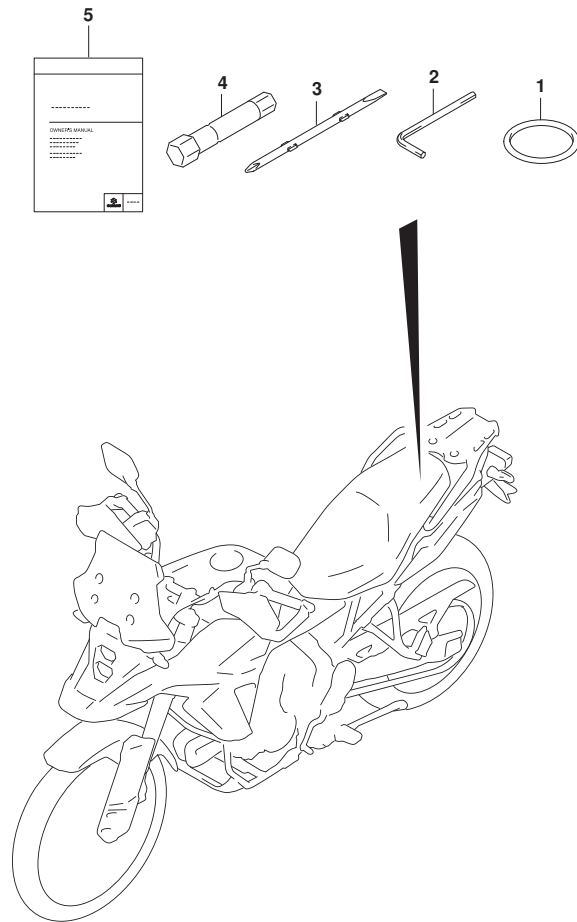


FIG.497A (1-F-11) MANUAL/TOOLS

REF NO.	PART NO.	DESCRIPTION	Q'TY	REMARKS
1	09280-63003	O-RING (D:3.5, ID:62.6)	1	
2	96514-17K00	SPANNER, HEXAGON (5)	1	
3	09814-00015	DRIVER	1	
4	09814-00016	GRIP, DRIVER	1	
5	99011-25L00-01A	MANUAL, OWNER'S	1	

FIG.505A

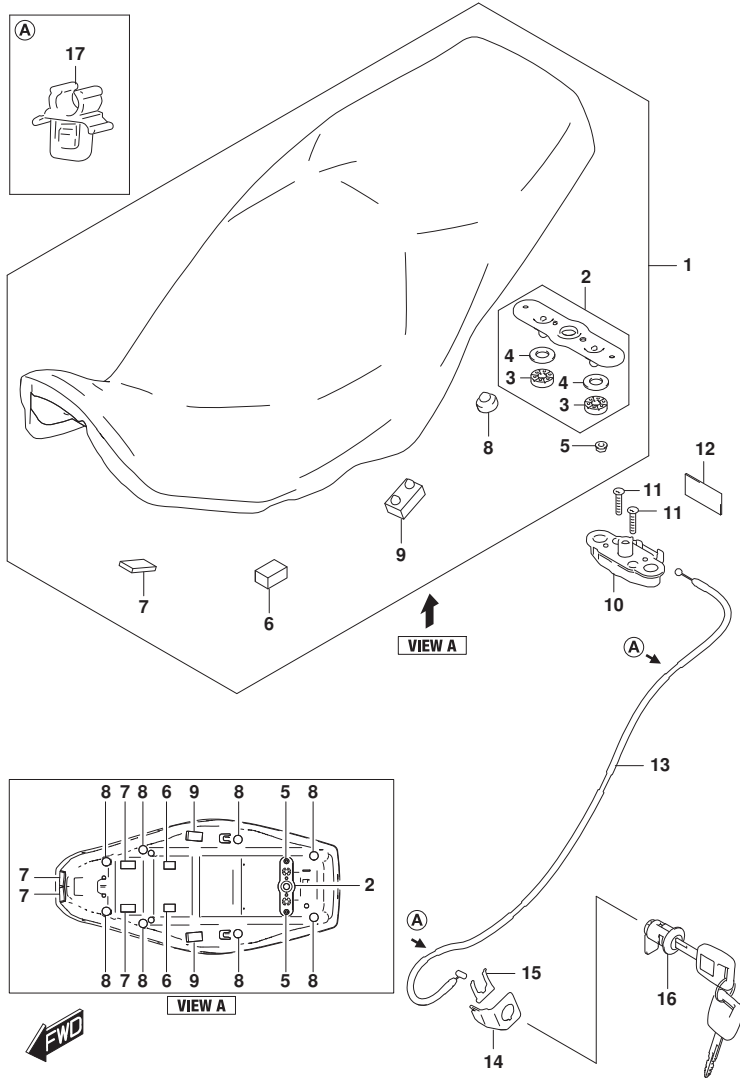


FIG.505A (1-F-12) SEAT

REF NO.	PART NO.	DESCRIPTION	Q'TY	REMARKS
1	45100-25LA0-CKA	SEAT ASSY	1	
2	45290-28D00	.STRIKER,SEAT LOCK	1	
3	45213-13601	..CUSHION,SEAT LOCK (10X22X6)	2	
4	08322-0110A	..WASHER	2	
5	08316-1006A	..NUT (6X12)	2	
6	17798-29E30	..CUSHION (20X30X15)	2	
7	33652-21G10	..CUSHION (40X20X5)	4	
8	45148-16700	..CUSHION,FRONT	8	
9	09321-08006	..CUSHION	2	
10	45220-47H00	BRACKET,SEAT SUPPORT	1	
11	09126-06019	SCREW,6X30 (6X30)	2	
12	44885-38A00	CUSHION	1	
13	45280-25LA0	CABLE,SEAT LOCK	1	
14	45288-14F00	GUIDE,SEAT LOCK CABLE	1	
15	45289-11F00	PLATE,SEAT LOCK ASSY	1	
16	95700-14810	LOCK SET,SEAT	1	
17	09403-05319	CLAMP	2	

FIG.521A

FIG.521A (1-F-13) FRONT FORK DAMPER

REF NO.	PART NO.	DESCRIPTION	Q'TY	REMARKS
1	51103-25L30	DAMPER ASSY,R	1	
2	51110-25L30	.TUBE,INNER,R	1	
3	51121-07J00	.BUSH,SLIDE	1	
4	51131-25L30	.TUBE,OUTER	1	
5	51147-25L30	.BOLT,CENTER	1	
6	51152-47H00	.BUSH,GUIDE	1	
7	51153-47H00	.SEAL,OIL	1	
8	51168-17C00	.SPACER,SEAL	1	
9	51171-25L30	.SPRING,FR	1	
10	51172-22D00	.JOINT,SPRING LWR	1	
11	51173-25L30	.SEAL,DUST	1	
12	51175-22D00	.GUIDE,SPRING,UPPER	1	
13	51176-25L30	.COLLAR SPRING	1	
14	51187-47H00	.O-RING	1	
15	51189-25L30	.BOLT,FORK	1	
16	51193-25L30	.SEAT,RUBBER	1	
17	51328-37F80	.BOLT	2	
18	51556-38B00	.RING,STOPPER	1	
19	51815-17D00	.PLATE,CENTERING	1	
20	51827-27E00	.NUT	1	
21	52110-25L30	.PISTON ROD	1	
22	09161-10009	.WASHER (10X15X1.5)	1	
23	51104-25L30	DAMPER ASSY,L	1	
24	51120-25L30	.TUBE,INNER,L	1	
25	51121-07J00	.BUSH,SLIDE	1	
26	51131-25L30	.TUBE,OUTER	1	
27	51147-25L30	.BOLT,CENTER	1	
28	51152-47H00	.BUSH,GUIDE	1	
29	51153-47H00	.SEAL,OIL	1	
30	51168-17C00	.SPACER,SEAL	1	
31	51171-25L30	.SPRING,FR	1	
32	51172-22D00	.JOINT,SPRING LWR	1	
33	51173-25L30	.SEAL,DUST	1	
34	51175-22D00	.GUIDE,SPRING,UPPER	1	
35	51176-25L30	.COLLAR SPRING	1	

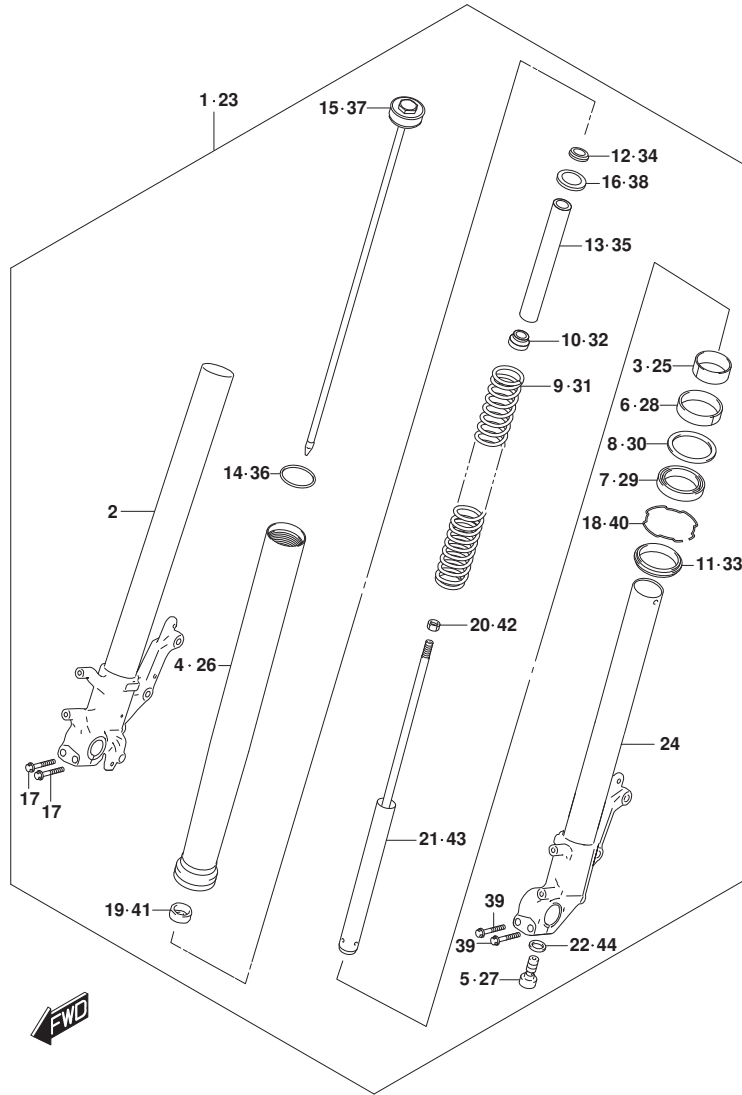


FIG.521A

FIG.521A (1-F-14) FRONT FORK DAMPER

REF NO.	PART NO.	DESCRIPTION	QTY	REMARKS
36	51187-47H00	.O-RING	1	
37	51189-25L30	.BOLT,FORK	1	
38	51193-25L30	.SEAT,RUBBER	1	
39	51328-37F80	.BOLT	2	
40	51556-38B00	.RING,STOPPER	1	
41	51815-17D00	.PLATE,CENTERING	1	
42	51827-27E00	.NUT	1	
43	52110-25L30	.PISTON ROD	1	
44	09161-10009	.WASHER (10X15X1.5)	1	

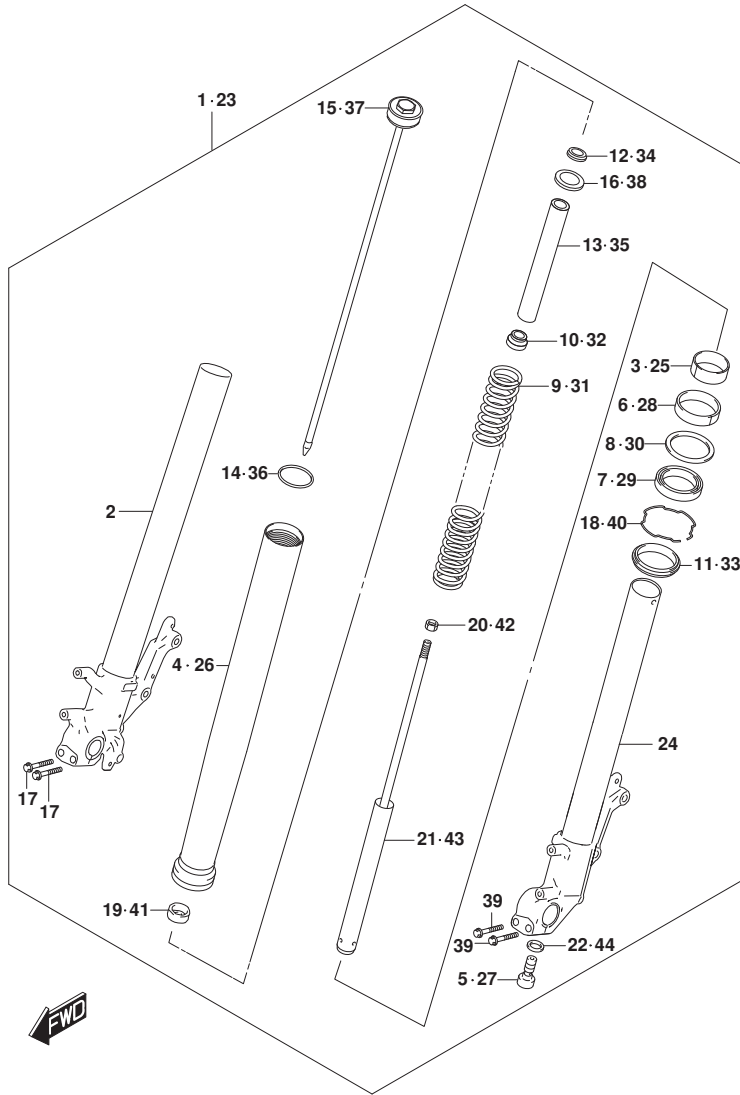


FIG.524A

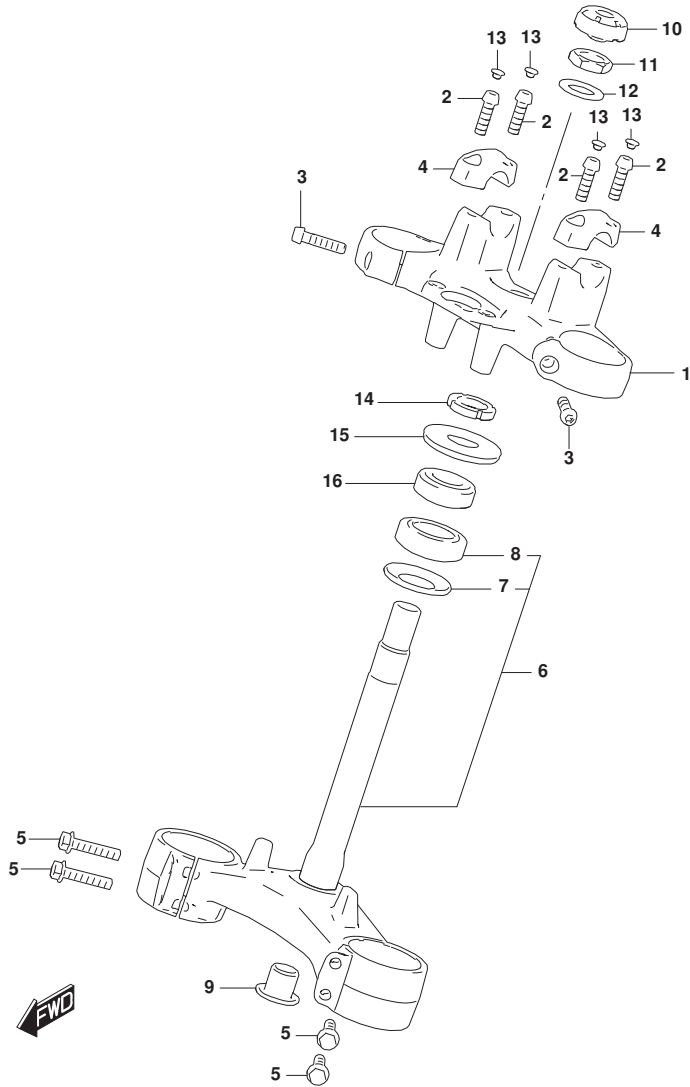


FIG.524A (1-F-15) STEERING STEM

REF NO.	PART NO.	DESCRIPTION	Q'TY	REMARKS
1	51311-25L30-291	BRACKET,UPPER (BLACK)	1	
2	51321-25L30	BOLT,HANDLE HOLDER	4	
3	51328-25L30	BOLT,UPPER BRACKET	2	
4	51331-25L30-291	HOLDER,HANDLE UPPER (BLACK)	2	
5	51328-44H00	BOLT	4	
6	51410-25L30-291	BRACKET,UNDER (BLACK)	1	
7	51644-12C00	.SEAL,STEERING LWR (30.1X56X4)	1	
8	09265-30020	.BEARING (30X55X17)	1	
9	51482-44H00	CAP	1	
10	51344-13K00	CAP,STEERING STEM	1	
11	51353-13K00	NUT	1	
12	51356-13K00	WASHER	1	
13	09250-06015	CAP (OD:10.5)	4	
14	51631-08D30	NUT,STEERING	1	
15	51643-01B10	SEAL,STEERING UPPER DUST	1	
16	09265-25038	BEARING (25X47X15)	1	

FIG.526A

FIG.526A (1-F-16) SPEED SENSOR

REF NO.	PART NO.	DESCRIPTION	Q'TY	REMARKS
1	55710-25L10	SENSOR,FR WHEEL SPEED	1	
2	55731-25L00	CLAMP,FR WHEEL SPEED SENSOR	1	
3	65710-25L10	SENSOR,RR WHEEL SPEED	1	
4	09408-00184	CLAMP	1	
5	09408-00266	CLAMP	7	
6	09408-00266	CLAMP	3	
7	01547-0616A	BOLT	3	

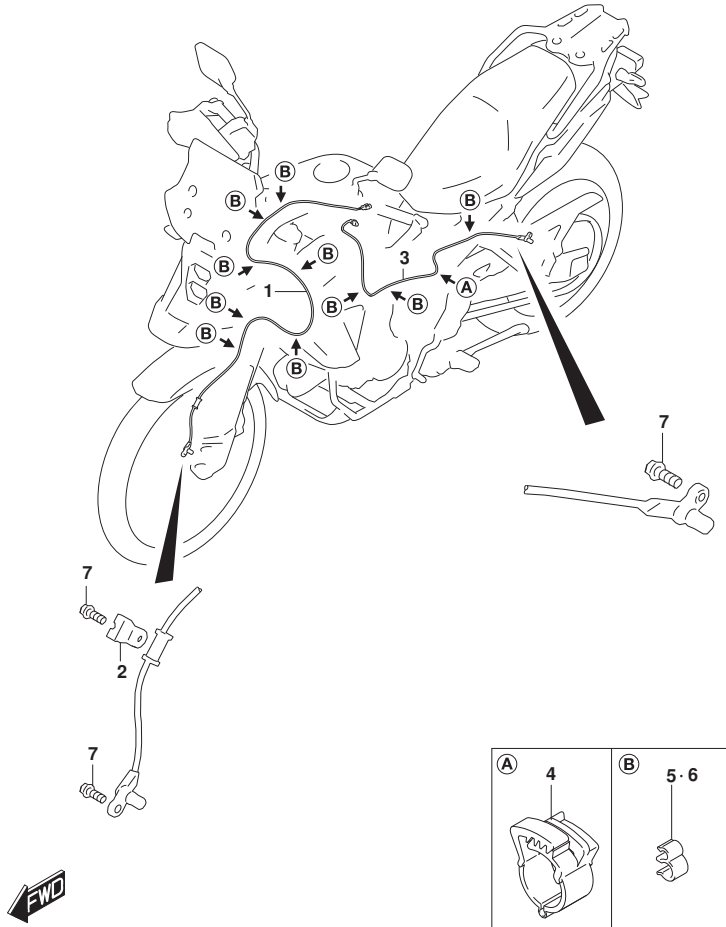


FIG.530A

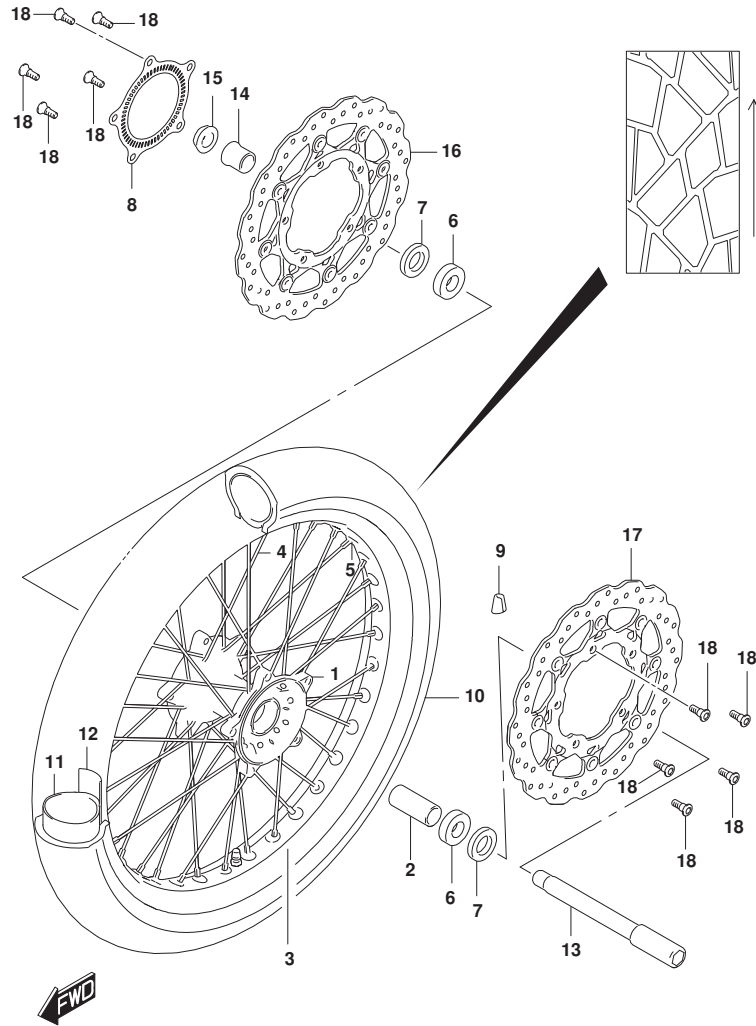


FIG.530A (1-G-2) FRONT WHEEL

REF NO.	PART NO.	DESCRIPTION	Q'TY	REMARKS
1	54111-25L20	HUB,FRONT	1	
2	54731-35G00	SPACER,FRONT HUB BEARING (20.5 X27.3X50)	1	
3-1	55311-25L00	RIM,FR WHEEL	1	GOLD BODY COLOR:YU1,YVB
3-2	55311-25L10	RIM,FR WHEEL	1	BLACK BODY COLOR:QT7
4	55321-25L00	SPOKE,FRONT WHEEL	36	
5	55326-25L00	NIPPLE,WHEEL	36	
6	09262-22049	BEARING	2	
7	09283-28028	SEAL,OIL	2	
8	54162-25L00	RING,SPEED SENSOR FR	1	
9	55412-41F00	BALANCER,WHEEL (20G)	AR	
10	55110-25L30	TIRE,FRONT	1	
11	#55200-29F00	TUBE ASSY,WHEEL INNER	1	
12	#55261-44AF0	PROTECTOR,WHEEL INNER TUBE	1	
13	54711-25L00	AXLE,FRONT	1	
14	54741-25L00	SPACER,FRONT AXLE,R	1	
15	62994-47H00	NUT,RR SHOCK ABS BRACKET	1	
16	59210-13K00	DISC, FRONT BRAKE RH	1	
17	59220-13K00	DISC, FRONT BRAKE LH	1	
18	09106-08212	BOLT,DISC	10	

FIG.533A

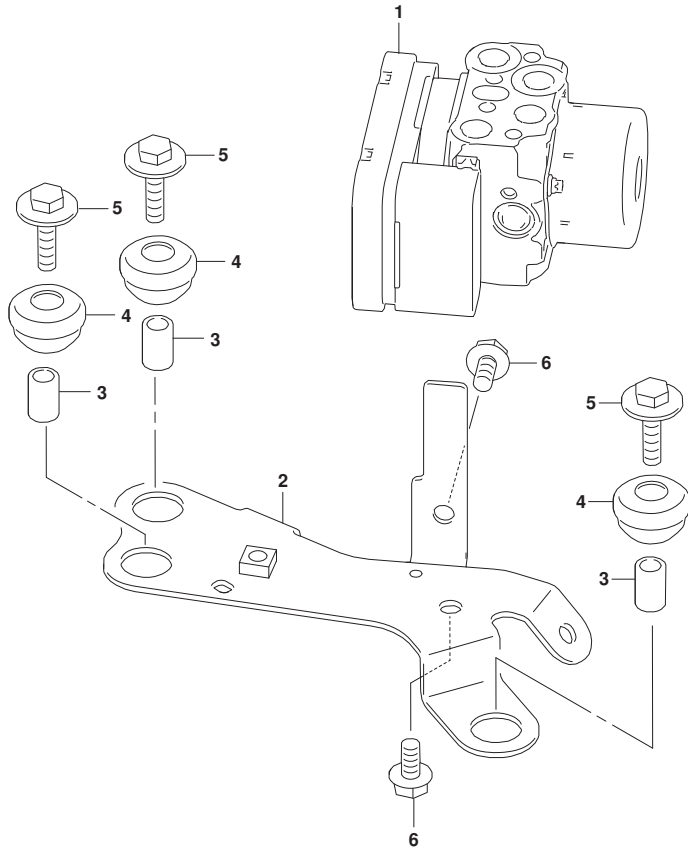


FIG.533A (1-G-3) HYDRAULIC UNIT

REF NO.	PART NO.	DESCRIPTION	Q'TY	REMARKS
1	55610-25L10	UNIT ASSY, HYDRAULIC ABS	1	
2	55650-25L00	HOLDER, HYDR UNIT ABS	1	
3	55662-10G00	SPACER, HYDR UNIT MTG (#05)	3	
4	55663-10G00	RUBBER, HYDR UNIT MTG	3	
5	09116-06150	BOLT (6X25)	3	
6	01550-0612A	BOLT	2	



FIG.535A

FIG.535A (1-G-4) FRONT CALIPER

REF NO.	PART NO.	DESCRIPTION	Q'TY	REMARKS
1	59100-26J20-999	CALIPER ASSY,FR,R	1	
2	59300-21810	.PISTON SET	1	
3	59300-21860	..SEAL SET,PISTON	1	
4	59115-21E10	.SPRING,PAD	1	
5	59382-14500	.PIN	1	
6	59386-13A00	.BOOT	1	
7	59187-21E10	.PIN	1	
8	59303-14500	.BOOT	1	
9	59145-21E10	.PIN,HANGER	1	
10	59146-08J00	.PIN PLUG	1	
11	59121-01A00	.BLEEDER	1	
12	59122-46H00	.CAP,BLEEDER	1	
13	59151-21E10	.BRACKET,R	1	
14	59101-26830	PAD SET (R)	1	
15	59300-26J20-999	CALIPER ASSY,FR,L	1	
16	59300-21810	.PISTON SET	1	
17	59300-21860	..SEAL SET,PISTON	1	
18	59115-21E10	.SPRING,PAD	1	
19	59382-14500	.PIN	1	
20	59386-13A00	.BOOT	1	
21	59187-21E10	.PIN	1	
22	59303-14500	.BOOT	1	
23	59145-21E10	.PIN,HANGER	1	
24	59146-08J00	.PIN PLUG	1	
25	59121-01A00	.BLEEDER	1	
26	59122-46H00	.CAP,BLEEDER	1	
27	59351-21E10	.BRACKET,L	1	
28	59101-26840	PAD SET (L)	1	
29	01550-0830A	BOLT	4	

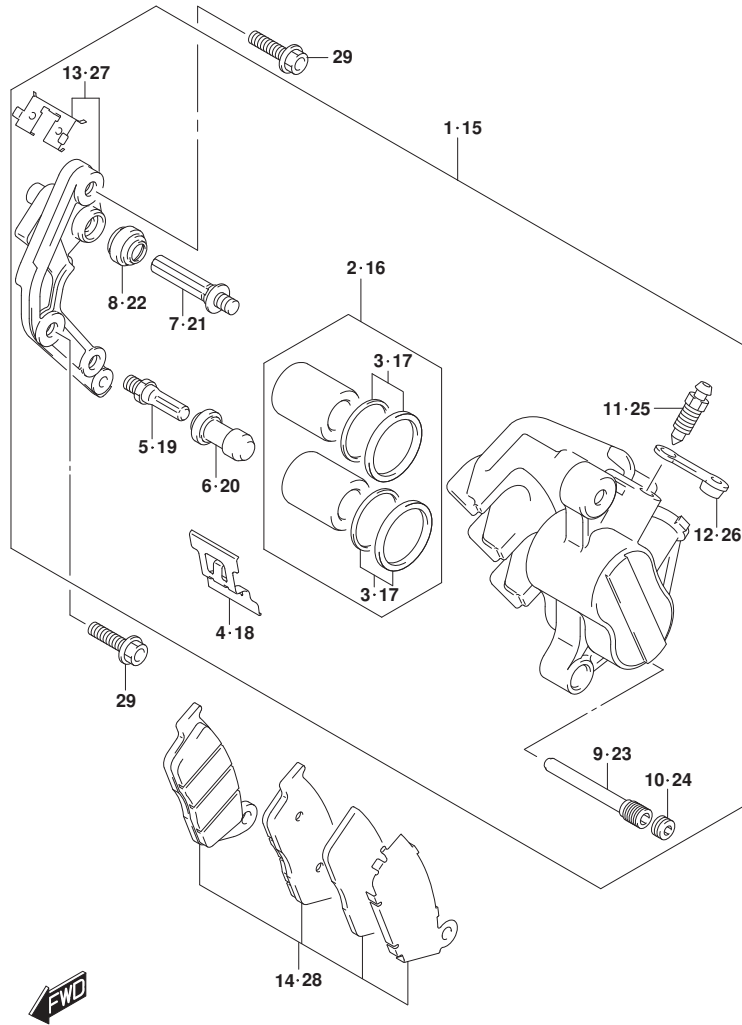


FIG.536A

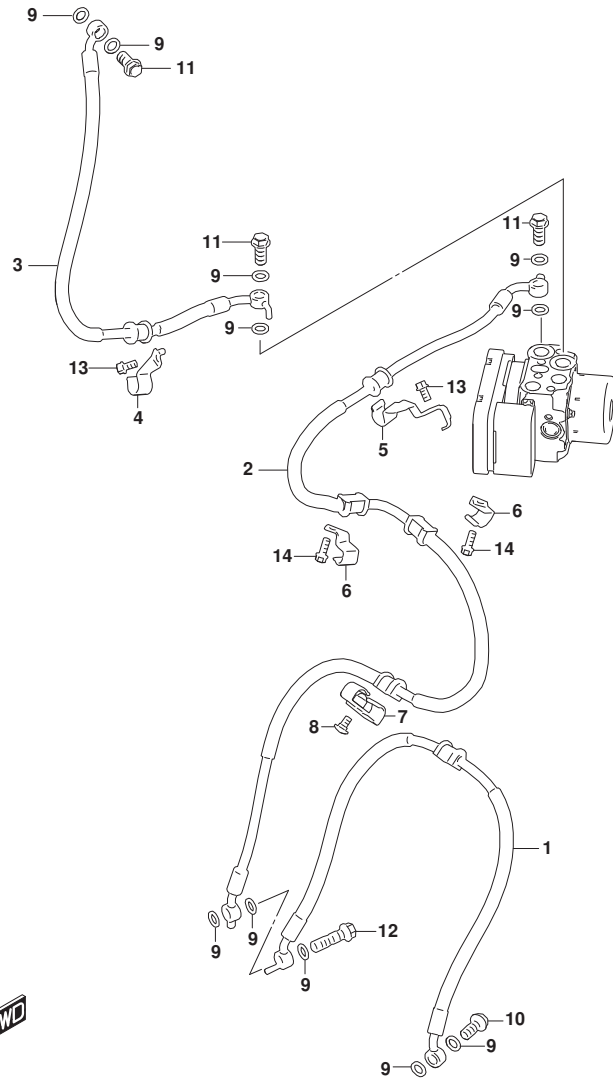


FIG.536A (1-G-5) FRONT BRAKE HOSE

REF NO.	PART NO.	DESCRIPTION	Q'TY	REMARKS
1	59240-25L30	HOSE,BK CLPR R TO CLPR L	1	
2	59440-25L30	HOSE,UNIT TO FR BK CLPR	1	
3	59480-25L30	HOSE,FR BK MASTER TO UNIT	1	
4	59261-25L30	CLAMP,BRAKE HOSE UPPER	1	
5	59263-25L30	CLAMP,FR BRAKE HOSE NO.1	1	
6	59264-25L30	CLAMP,FR BRAKE HOSE NO.2	2	
7	59270-25L30	CLAMP,BRAKE HOSE	1	
8	09139-06144	SCREW (6X12)	1	
9	09161-10009	WASHER (10X15X1.5)	11	
10	09360-10042	UNION (10X1.25X22)	1	
11	09360-10062	UNION (10X1.25X22)	3	
12	09360-10064	UNION (10X1.25X36)	1	
13	01547-0612A	BOLT	2	
14	01547-0616B	BOLT	2	

FIG.537A

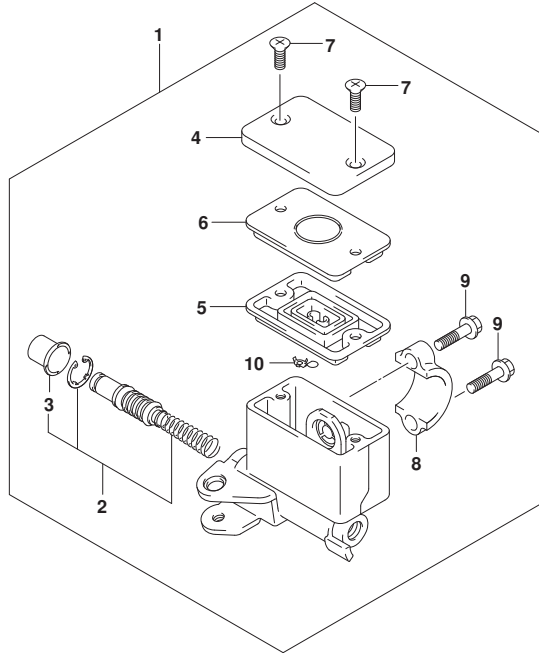


FIG.537A (1-G-6) FRONT MASTER CYLINDER

REF NO.	PART NO.	DESCRIPTION	Q'TY	REMARKS
1	59600-13G10	CYLINDER ASSY,FR MASTER	1	
2	59600-04810	.PISTON/CUP SET	1	
3	59666-44300	..BOOT	1	
4	59669-10G20	.CAP	1	
5	59667-49460	.DIAPHRAGM	1	
6	59668-41C00	.PLATE,DIAPHRAGM	1	
7	69689-49300	.SCREW	2	
8	59671-32F00	.HOLDER	1	
9	59675-02FA0	.BOLT (6X22)	2	
10	59664-32F00	.PROTECTOR	1	



FIG.541A

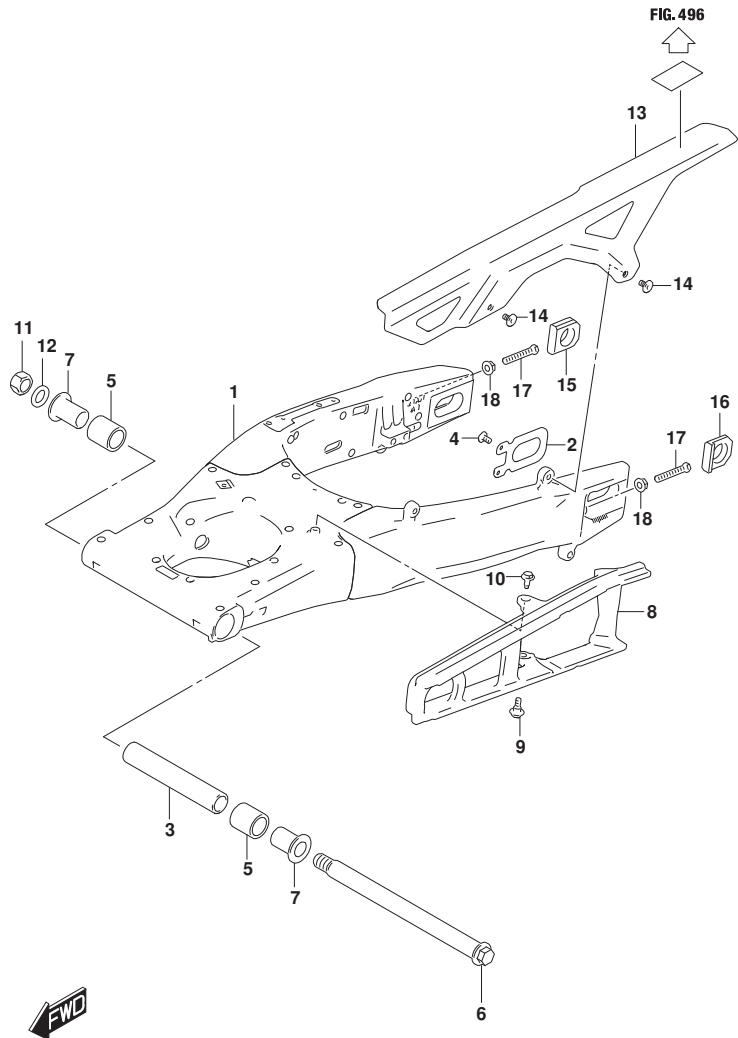


FIG.541A (1-G-7) REAR SWINGARM

REF NO.	PART NO.	DESCRIPTION	Q'TY	REMARKS
1	61100-25LA0	SWINGINGARM,REAR	1	
2	61124-44G00	PLATE,RR SWGARM BRKT	1	
3	61282-25L00	SPACER,RR SWGARM PIVOT CTR	1	
4	09122-66010	SCREW	1	
5	09263-25073	BEARING (25X33X35)	2	
6	61211-31E00	SHAFT,REAR SWINGINGARM PIVOT	1	
7	61251-31E00	SPACER,PIVOT BEARING	2	
8	61273-25LB0	BUFFER,CHAIN TOUCH DEFENSE	1	
9	09111-06072	BOLT (6X17.8)	1	
10	09116-06205	BOLT (6X16)	1	
11	09159-18007	NUT	1	
12	09160-18030	WASHER (18.5X28X2.6)	1	
13	61310-25L00	CASE,CHAIN	1	
14	09139-06225	SCREW (6X12)	2	
15	61445-28H11	WASHER,CHAIN ADJUSTER RH	1	
16	61446-35G01	WASHER,CHAIN ADJUSTER LH	1	
17	09100-08287	BOLT (8X50)	2	
18	08316-1008A	NUT	2	

FIG.543A

FIG.543A (1-G-8) REAR CUSHION LEVER

REF NO.	PART NO.	DESCRIPTION	Q'TY	REMARKS
1	62600-25810	LEVER SET,REAR CUSHION	1	
2	09263-17059	.BEARING	3	
3	09263-20053	.BEARING (20X27X25)	1	
4	09285-17007	.OIL SEAL (17X24X3)	4	
5	09285-20005	.SEAL,OIL (20X27X5)	2	
6	62600-25820	ROD SET,RR CUSHION	1	
7	09263-17059	.BEARING	2	
8	09285-17007	.OIL SEAL (17X24X3)	2	
9	09180-12163	.SPACER,REAR CUSHION ROD	1	
10	62646-37F10	SPACER,RR CUSHION LEVER LWR	1	
11	62658-37F10	BOLT,RR CUSHION LEVER UPPER	1	
12	62684-40A10	SPACER,RR CUSHION LEVER (10X17 X30)	1	
13	09103-12031	BOLT,12X155 (L:155)	1	
14	09103-12142	BOLT,RR CUSHION ROD REAR	1	
15	09159-12056	NUT	3	
16	09180-12162	SPACER,RR CUSHION LEVER CTR	1	

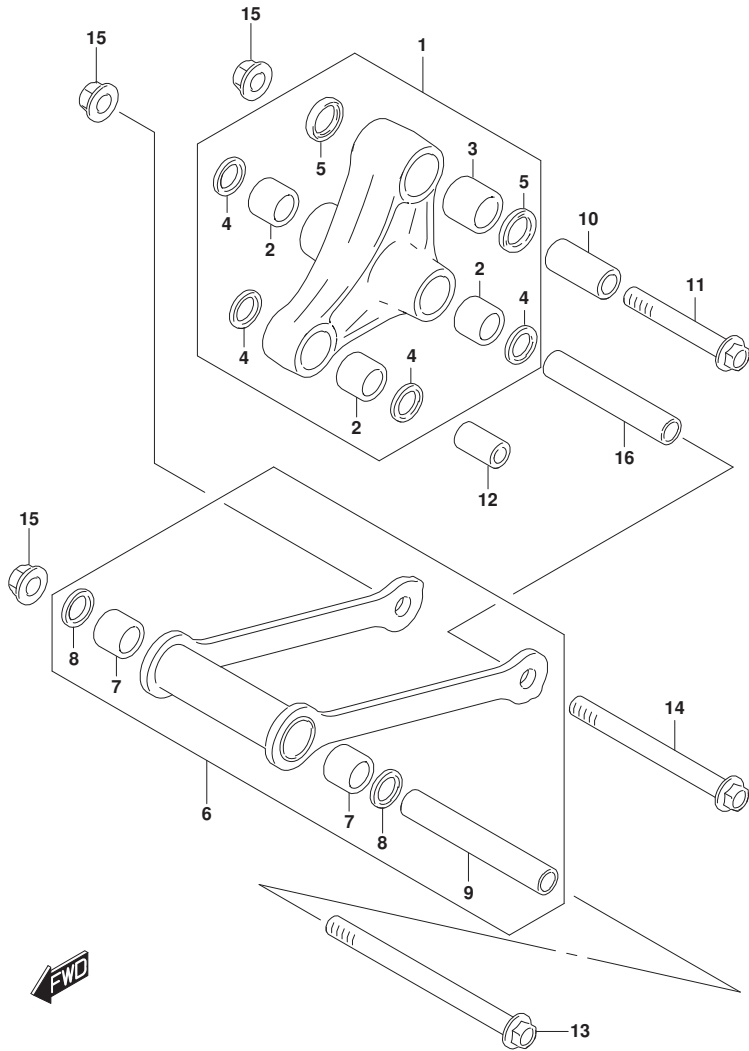


FIG.545A

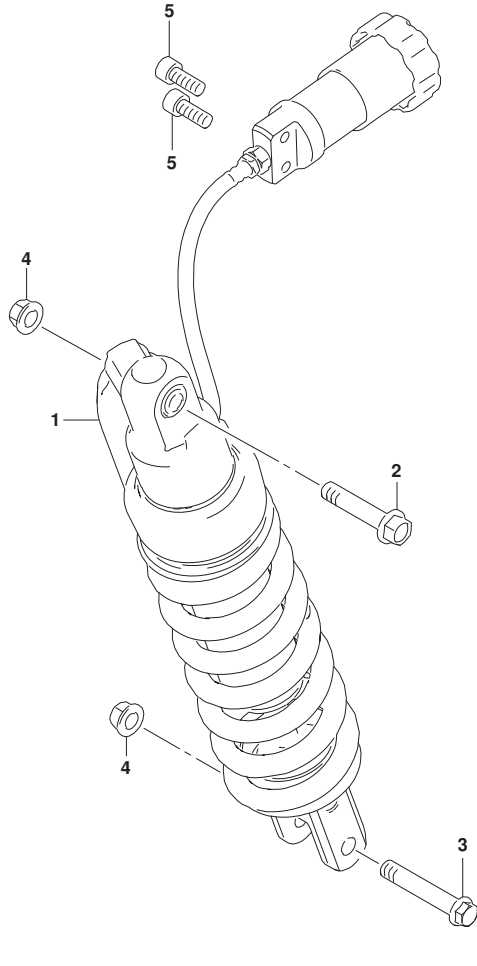


FIG.545A (1-G-9) REAR SHOCK ABSORBER

REF NO.	PART NO.	DESCRIPTION	QTY	REMARKS
1	62100-25L60-17U	ABSORBER ASSY,REAR SHOCK (GRAY)	1	
2	09103-10064	BOLT (10X50)	1	
3	09103-10428	BOLT (10X58)	1	
4	09159-10115	NUT (M10)	2	
5	07130-0820B	BOLT	2	

FIG.550A

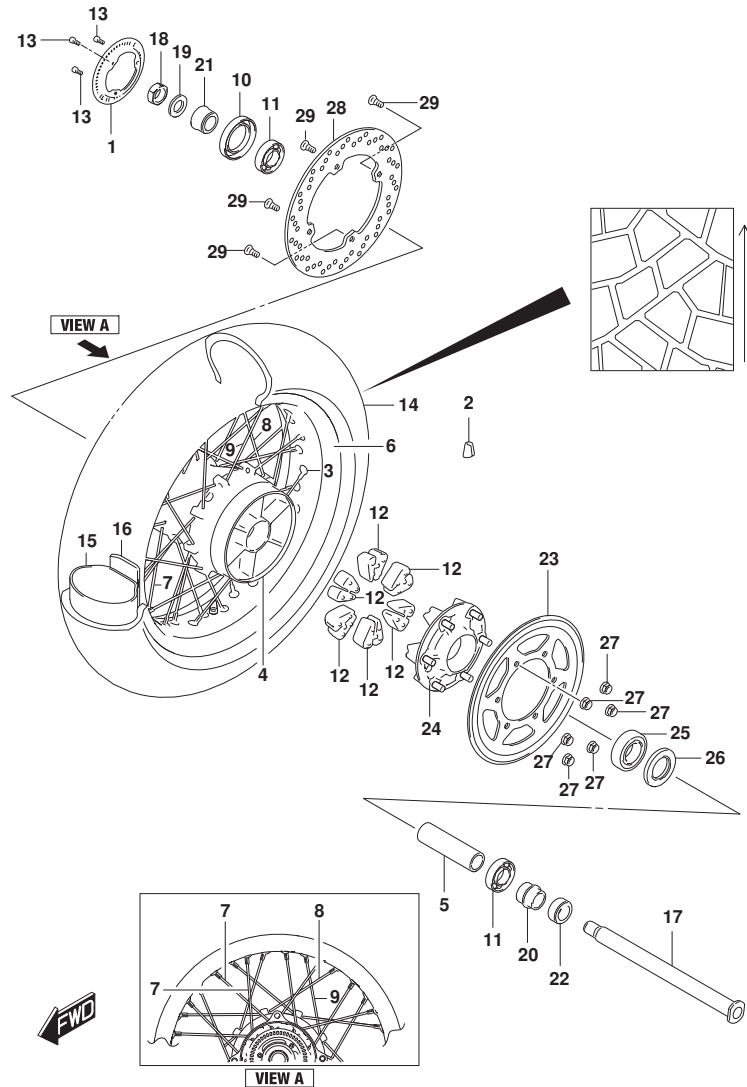


FIG.550A (1-G-10) REAR WHEEL

REF NO.	PART NO.	DESCRIPTION	Q'TY	REMARKS
1	54162-28K00	RING,SPEED SENSOR (50T)	1	
2	55412-41F00	BALANCER,WHEEL (20G)	AR	
3	55326-25L00	NIPPLE,WHEEL	36	
4	64111-25L20	HUB,REAR	1	
5	64731-25L00	SPACER,REAR WHEEL BEARING	1	
6-1	65311-25L00	RIM,RR WHEEL	1	GOLD
6-2	65311-25L10	RIM,RR WHEEL	1	BODY COLOR:YU1,YVB BLACK BODY COLOR:QT7
7	65321-25L00	SPOKE,REAR WHEEL,R	18	
8	65323-25L00	SPOKE,REAR WHEEL INNER,L	9	
9	65324-25L00	SPOKE,REAR WHEEL OUTER,L	9	
10	09284-37002	SEAL,OIL (37X52X8)	1	
11	08123-6205B	BEARING	2	
12	64651-47H10	ABSORBER,RR HUB SHOCK	6	
13	07130-0512A	BOLT	3	
14	65110-25L30	TIRE,REAR	1	
15	65200-25L00	TUBE ASSY,WHEEL INNER	1	
16	65261-25L00	PROTECTOR,WHEEL INNER TUBE	1	
17	64711-25L00	AXLE,REAR	1	
18	64721-13K00	NUT	1	
19	64723-25L00	WASHER,REAR AXLE	1	
20	64733-44G00	RETAINER,REAR SPROCKET DRUM	1	
21	64741-25L00	SPACER,REAR AXLE,R	1	
22	64751-44G00	SPACER,REAR AXLE LH	1	
23	64511-25L20	SPROCKET,REAR	1	
24	64610-47H00	DRUM,REAR SPROCKET	1	
25	09262-32024	BEARING (32X65X17)	1	
26	09285-39001	SEAL,OIL (39X65X7)	1	
27	08319-3110A	NUT	6	
28	69211-06L10	DISC,REAR BRAKE	1	
29	09106-08160	BOLT (8X21)	4	

FIG.555A

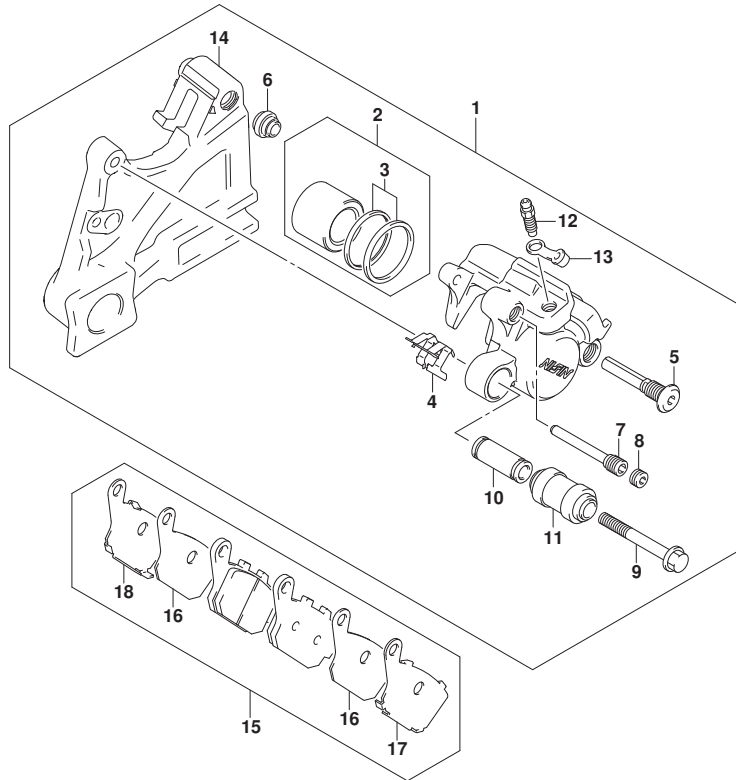


FIG.555A (1-G-11) REAR CALIPER

REF NO.	PART NO.	DESCRIPTION	Q'TY	REMARKS
1	69100-25L30-999	CALIPER ASSY,RR	1	
2	69100-04810	.PISTON SET	1	
3	69100-04820	..SEAL SET,PISTON	1	
4	69115-04F00	.SPRING,PAD	1	
5	59305-36E00	.PIN,BOLT	1	
6	59303-14500	.BOOT	1	
7	69141-40F00	.PIN,PAD	1	
8	59146-08J00	.PIN PLUG	1	
9	69182-04F00	.BOLT	1	
10	69185-04F00	.SLEEVE	1	
11	69186-04F00	.BOOT,SLEEVE	1	
12	59121-01A00	.BLEEDER	1	
13	59122-46H00	.CAP,BLEEDER	1	
14	69150-25L00	.BRACKET	1	
15	69100-08850	PAD&RETAINER SET	1	
16	69132-08J00	.INSULATOR	1	
17	69133-06G00	.RETAINER	1	
18	69134-06G00	.RETAINER	1	

FIG.557A

FIG.557A (1-G-12) REAR BRAKE HOSE

REF NO.	PART NO.	DESCRIPTION	Q'TY	REMARKS
1	61196-44H00	GUIDE,REAR BRAKE HOSE	2	
2	69200-25L00	HOSE ASSY,RR BK MASTER TO UNIT	1	
3	69261-25L00	CLAMP,RR BRAKE HOSE	1	
4	69268-25L30	CLAMP,RR BRAKE HOSE	1	
5	69400-25L30	HOSE ASSY,UNIT TO RR BK CLPR	1	
6	69486-31J00	WASHER,REAR BRAKE HOSE GUIDE	2	
7	09161-10009	WASHER (10X15X1.5)	4	
8	09360-10062	UNION (10X1.25X22)	2	
9	09403-07344	CLAMP	2	
10	01547-0612A	BOLT	1	
11	01547-0630A	BOLT	1	
12	01550-0612A	BOLT	1	
13	02142-0616B	SCREW	2	

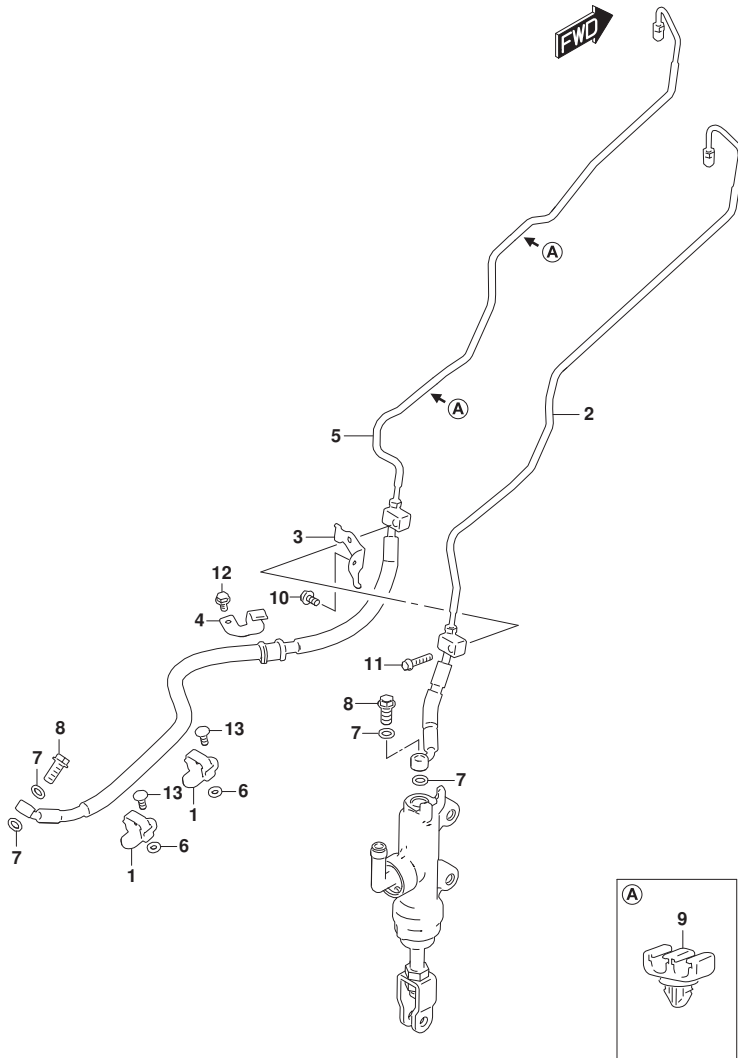


FIG.558A

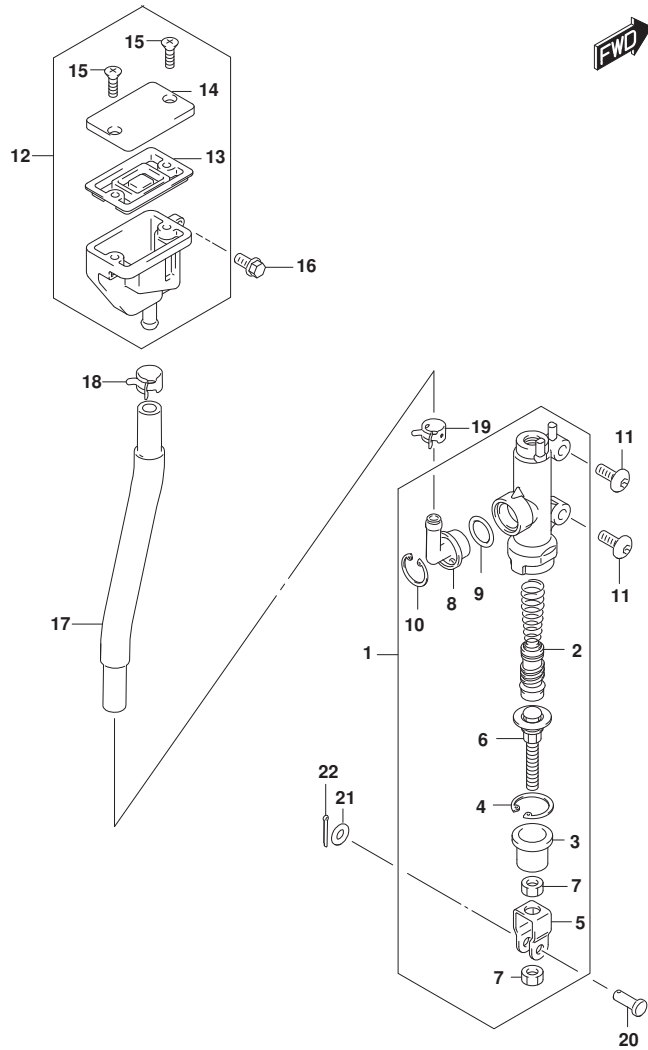


FIG.558A (1-G-13) REAR MASTER CYLINDER

REF NO.	PART NO.	DESCRIPTION	Q'TY	REMARKS
1	69600-47H10	CYLINDER ASSY,REAR MASTER	1	
2	69600-34810	.PISTON/CUP SET	1	
3	69691-00A00	.BOOT	1	
4	69665-47H00	.CIRCLIP	1	
5	69692-44H00	.YOKE	1	
6	69670-40A00	.ROD,PUSH	1	
7	69693-05A00	.NUT	2	
8	69672-00B20	.CONNECTOR	1	
9	69686-34200	.O-RING	1	
10	69674-00B20	.CIRCLIP	1	
11	09139-06139	SCREW (6X16)	2	
12	69740-01D02	TANK ASSY,RR RESERVOIR	1	
13	59667-04700	.DIAPHRAGM	1	
14	59669-05D00	.CAP	1	
15	69689-04A00	.SCREW	2	
16	01547-0612A	BOLT	1	
17	69730-25L30	HOSE,RR RESERVOIR TANK	1	
18	09401-13417	CLIP (ID:13.2)	1	
19	09401-12404	CLIP (ID:12)	1	
20	09200-06037	PIN (6X17.7)	1	
21	08322-0106A	WASHER	1	
22	04111-2015A	PIN	1	

PART NO.	FIG.NO.-REF.NO.	PART NO.	FIG.NO.-REF.NO.	PART NO.	FIG.NO.-REF.NO.	
10000		12164-46E10-0A0	120A-8-1	12837-25L00	101A-10	
		12164-46E10-0B0	120A-8-2		127A-10	
		12164-46E10-0C0	120A-8-3	12837-49H00	127A-9	
		12164-46E10-0D0	120A-8-4	12891-02F10	126A-3	
		12228-24F00-0A0	108A-11-1	12892-41C00-230	126A-4-1	
	11100-25L00	103A-1	120A-11-1	12892-41C00-232	126A-4-2	
	11115-25L70	103A-16	12228-24F00-0B0	108A-11-2	12892-41C00-235	126A-4-3
	11117-44H00	103A-5	120A-11-2	12892-41C00-238	126A-4-4	
	11141-25L10	101A-2	12228-24F00-0C0	108A-11-3	12892-41C00-240	126A-4-5
		103A-6	120A-11-3	12892-41C00-242	126A-4-6	
11170-25L00	102A-1	12228-24F00-0D0	108A-10	12892-41C00-245	126A-4-7	
11173-25L00	101A-3	108A-11-4	12892-41C00-248	126A-4-8		
	102A-2	120A-10	12892-41C00-250	126A-4-9		
11176-25L00	102A-3	120A-11-4	12892-41C00-252	126A-4-10		
11177-25L00	101A-4	12228-24F00-0E0	108A-11-5	12892-41C00-255	126A-4-11	
	102A-4	120A-11-5	12892-41C00-258	126A-4-12		
11178-33E00	101A-5	12228-24F00-0F0	108A-11-6	12892-41C00-260	126A-4-13	
	102A-5	120A-11-6	12892-41C00-262	126A-4-14		
11178-69L00	102A-6	12229-25L00-0A0	120A-12-1	12892-41C00-265	126A-4-15	
11210-25L00-0F0	107A-1	12229-25L00-0B0	120A-12-2	12892-41C00-268	126A-4-16	
11217-85FA0	180A-2	12229-25L00-0C0	120A-12-3	12892-41C00-270	126A-4-17	
11241-25L00	101A-6	12229-25L00-0D0	120A-12-4	12892-41C00-272	126A-4-18	
	107A-2	12229-25L00-0E0	120A-12-5	12892-41C00-275	126A-4-19	
11300-25820	108A-1	12229-25L00-0A0	124A-13-1	12892-41C00-278	126A-4-20	
11319-33E50	108A-2	12229-25L00-0B0	124A-13-2	12892-41C00-280	126A-4-21	
11322-25L00	108A-3	12229-25L00-0C0	124A-13-3	12892-41C00-282	126A-4-22	
11323-25L00	108A-4	12229-25L00-0D0	124A-13-4	12892-41C00-285	126A-4-23	
11340-25L00	114A-1	12600-25830	122A-3	12892-41C00-288	126A-4-24	
11351-25L00	113A-1	12600-25L00	122A-1	12892-41C00-290	126A-4-25	
11360-25L00	113A-2	12601-25L00	124A-1	12892-41C00-292	126A-4-26	
11370-25L00	114A-3	12602-25L00	124A-7	12892-41C00-295	126A-4-27	
11380-25L00	113A-15	12610-25L00	122A-2	12892-41C00-298	126A-4-28	
11390-25L00	109A-1	12615-24F00	122A-4	12892-41C00-300	126A-4-29	
11400-25820	101A-1	12615-25L00	122A-5	12892-41C00-302	126A-4-30	
11482-25L00	101A-7	12662-25L10	124A-2	12892-41C00-305	126A-4-31	
	114A-5		124A-8	12892-41C00-308	126A-4-32	
11483-25L00	101A-8	12663-25L00	124A-3	12892-41C00-310	126A-4-33	
	113A-3		124A-9	12892-41C00-312	126A-4-34	
11489-25L00	101A-9	12666-25L00	124A-4	12892-41C00-315	126A-4-35	
	116A-1		124A-10	12892-41C00-318	126A-4-36	
11511-25L00	116A-2	12701-25L00	126A-1	12892-41C00-320	126A-4-37	
11611-25L00	103A-13	12702-25L00	126A-2	12892-41C00-322	126A-4-38	
11959-10L30	496A-4	12760-25L00	127A-1	12892-41C00-325	126A-4-39	
11971-48H00	114A-2	12771-25L00	127A-2	12892-41C00-328	126A-4-40	
12000-25810	120A-9	12782-25L00	127A-3	12892-41C00-330	126A-4-41	
12111-25L00-0F0	120A-1	12800-41810	126A-12	12892-41C00-332	126A-4-42	
12140-25L00	120A-2	12801-25L00	127A-4	12892-41C00-335	126A-4-43	
12151-07D10	120A-3	12812-31G00	127A-5	12892-41C00-338	126A-4-44	
12160-25L00	120A-5	12830-25L00	127A-7	12892-41C00-340	126A-4-45	
12163-24F10	120A-6	12833-25L00	127A-8	12892-41C00-342	126A-4-46	

PART NO.	FIG.NO.-REF.NO.	PART NO.	FIG.NO.-REF.NO.	PART NO.	FIG.NO.-REF.NO.
12892-41C00-345	126A-4-47	14761-25L00	163A-18	17851-25L00	187A-2
12892-41C00-348	126A-4-48	14765-25L00	163A-19	17852-25L00	187A-3
12892-41C00-350	126A-4-49	14766-25L00	163A-20	17853-25L00	187A-4
12911-25L00	126A-5	14770-25L00	163A-3	17855-25L00	187A-5
12912-25L00	126A-6	14771-24F10	163A-11		187A-16
12921-25L00	126A-7	14780-25L00	163A-21	17856-25L00	187A-6
12931-41K00	126A-8	14795-10FA0	163A-22	17860-25L00	187A-7
12932-27A00	126A-9	15100-25L00	172A-1	17861-25L00	101A-15
12933-25L00	126A-10	15121-25L00	172A-2		187A-8
12934-69L00	126A-11	15122-17K00	172A-3	17910-25L00	187A-17
13101-25L00	140A-22	15201-07L00	172A-4	17913-25L00	187A-21
13127-25L00	140A-23	15710-17K00	140A-15	17931-25L00	187A-18
13170-25L00	140A-24	15717-58B00	140A-16	17934-25L00	187A-19
13268-48700	140A-2	15722-14J00	140A-17	17935-25L00	187A-20
13269-33E00	140A-3	15810-25L00	172A-5	17981-25L00	187A-22
13295-29901	140A-4	15821-25L00	172A-6	18114-74P00	427A-1
13374-32G00	140A-5	16310-25L00	116A-6	18213-25L40	163A-27
13400-25L00	140A-1	16321-01H00	116A-7	18450-28K00	189A-1
13471-25L00	140A-6	16331-25L00	116A-8	18461-25L00	189A-2
13472-25L00	140A-7	16400-25L00	116A-9	18510-29G31	189A-3
13473-25L00	140A-8	16440-24F00	116A-10	18531-25L00	189A-4
13601-11J00	140A-9	16461-25L00	178A-4	18560-25L00	427A-2
13602-29G01	140A-10	16471-25L00	178A-5	18561-25L00	427A-11
13606-47A00	140A-11	16491-33E00	116A-12	18562-25L00	427A-12
13650-41F10	155A-20	16510-07J00	109A-15	18563-25L00	427A-13
13650-49X00	187A-31	16520-25L00	116A-17	18565-25L00	427A-3
13655-41F10	155A-21	16591-06B01	109A-16	18568-25L00	427A-4
13671-12C00	140A-12	16600-25L00	178A-1	18570-25L00	427A-9
13682-25L00	140A-13	16611-48K00	101A-12	18572-25L00	427A-5
13685-04F10	140A-14		178A-2	18590-18K10	140A-19
13700-25L00	155A-1	17400-25L00	180A-1	18596-25L00	140A-20
13741-25L00	155A-2	17421-25L00	101A-13	18610-25L00	189A-5
13746-25L00	155A-3		180A-5	18710-25L00	189A-6
	155A-4	17431-25L00	101A-14		
13780-25L00	155A-5		180A-6		
13786-25L00	155A-6	17568-50F00	187A-1		
13826-25L00	155A-7	17661-25L00	180A-8		
13827-25L00	155A-8	17670-81AB1	180A-9		
13841-25L00	155A-18	17700-25L00	185A-1		
13853-25L00	155A-9	17711-14G00	185A-2		
13878-10G01	155A-10	17730-14G00	185A-7	21111-25L00	120A-13
13881-25L00	155A-11	17740-25L00	185A-8	21112-25L00	120A-14
13882-25L00	155A-12	17750-25L00	185A-9	21114-25L00	120A-15
13891-25L00	155A-13	17760-25L00	185A-10	21121-25L00	120A-19
13892-25L00	155A-14	17771-25L00	185A-11	21200-25810	201A-1
14100-25L00	163A-1	17798-29E30	505A-6	21253-01H10	201A-2
14181-04K00	101A-11	17802-12K00	185A-12	21411-25L00	201A-6
	163A-2	17802-14F00	185A-3	21412-31J00	201A-7
14310-25L00	163A-9	17810-25L00	185A-4	21413-25L00	201A-8
14459-47H00	163A-10	17812-25L00	185A-5	21414-25L00	201A-9

20000

PART NO.	FIG.NO.-REF.NO.	PART NO.	FIG.NO.-REF.NO.	PART NO.	FIG.NO.-REF.NO.
21415-31J00	201A-10	25518-01H00	212A-17	34810-25L00	172A-9
21441-36F50	201A-11	25518-06L00	212A-18	34815-25L00	172A-10
21442-41G20	201A-12	25519-01H00	212A-19	34955-10L10	330A-3
21451-25L10	201A-13	25519-25L00	212A-20	35100-25L00	333A-1
21451-41G30	201A-14	25520-25L10	212A-28	35601-48KA1	334A-1
21452-25L00	201A-15	25525-25L10	212A-45	35602-48KA1	334A-2
21462-25L00	201A-16	25526-01H00	212A-29	35603-48KC0	334A-5
21471-41G00	201A-17		212A-31	35604-48KC0	334A-6
21472-41G20	201A-18	25600-25L10	212A-30	35710-31JA0	339A-1
23110-38B00	201A-23	25617-18H00	212A-33	35781-17K00	333A-2
23111-25L00	201A-24	25652-20C00	212A-32	35910-41G10	339A-2
23121-25L00	201A-25	25671-01011	212A-21	35912-41G01	339A-3
23122-25L00	201A-26	27511-20A21	206A-46	35913-41G00	339A-4
23123-41G00	201A-27	27531-25L00	206A-28	35917-41G00	339A-5
23124-25L00	201A-28	27600-17K00-126	206A-47	35950-25L00	333A-9
23125-44G00	201A-29	27620-17K00	206A-48	36110-48K00	333A-7
23271-41G00	201A-30			36610-25LB0	350A-1
24120-25L00	206A-1			36620-25LA0	350A-5
24131-25L00	206A-17			36654-28K00	350A-6
24221-25L00	206A-2			36744-06L00	350A-19
24231-25L00	206A-3			36851-25L00	350A-7
24251-25L00	206A-4			36853-48KA0	350A-8
24252-35F00	206A-5			36990-06L00	355A-1
24261-25L00	206A-6				355A-2
24262-35F10	206A-7			37100-25L10	352A-2
24311-25L00	206A-18	31100-25L00	301A-1	37101-25840	352A-1
24315-25L00	206A-19	31132-18H00	301A-2	37146-13K00	352A-6
24321-25L00	206A-20	31143-49040	301A-3	37152-17K00	352A-3
24331-25L00	206A-21	31156-98E00	301A-4	37180-15HA0	352A-4
24332-24F20	206A-22	31264-38F10	301A-5	37400-25L10	355A-3
	206A-23	31280-19F10	301A-6	37730-48K10	212A-40
24333-47H00	206A-24	31800-06G02	311A-1	37740-25L00	350A-11
24341-25L00	206A-25	31861-47E00	311A-3	37820-33D11	109A-17
24351-25L00	206A-26	32101-25L00	303A-1	37822-33D00	109A-18
24361-25L00	206A-27	32102-25L00	303A-2	37840-25L00	350A-14
24741-25L00	206A-40	32155-25L00	303A-3	38500-48H31	350A-16
24751-18H00	206A-41	32371-25L00	303A-4	38610-06L00	334A-10
24751-25L00	206A-42	32800-26J10	313A-1	38860-06L00	330A-20
24770-18H10	206A-8	32910-06L00	322A-1	39105-25L00	350A-9
25211-01H11	212A-1	33410-38H10	316A-1		
25231-25L00	212A-2	33630-33E30	310A-1		
25310-25L00	212A-4	33651-37000	322A-2		
25312-17K00	212A-6	33652-21G10	505A-7		
25350-06G00	212A-11	33652-39000	322A-3		
25355-18H00	212A-12	33652-48E00	447A-7		
25381-17K00	212A-7	33810-25LA0	310A-4	41100-25LA0	401A-1
25411-24F00	212A-3	33820-25LA0	310A-5	41160-25LB0	401A-7
25500-25L00	212A-27	33960-25H01	322A-4	41200-25LA0-YAP	401A-2
25510-25L00	212A-15	34100-25LC0	330A-1	41920-25L00	401A-4
25512-06G20	212A-16	34187-48K01	330A-2	41922-25L00	401A-5

30000

40000

PART NO.	FIG.NO.-REF.NO.	PART NO.	FIG.NO.-REF.NO.	PART NO.	FIG.NO.-REF.NO.
42310-25LB0	407A-1	44572-13G00	420A-18	47511-25LA0-QT7	445A-8-1
43110-25LA0	407A-6	44572-44G00	420A-5	47511-25LA0-YU1	445A-8-2
43142-25L00	407A-7		423A-6	47511-25LA0-YVB	445A-8-3
43501-25LA0	415A-1	44885-38A00	505A-12	47512-28K00	415A-6
43502-25LA0	415A-8	45100-25LA0-CKA	505A-1		415A-13
43510-25LB0	415A-15	45148-16700	505A-8	47711-25LA0-Y2W	445A-16-2
43520-25LB0	415A-16	45213-13601	505A-3	47711-25LA0-YU1	445A-16-1
43530-06L00	415A-2	45220-47H00	505A-10	47913-06L00	445A-17
43540-06L00	415A-9	45280-25LA0	505A-13		
43551-06L00	415A-3	45288-14F00	505A-14		
	415A-10	45289-11F00	505A-15		
43552-06L00	415A-4	45290-28D00	505A-2		
	415A-11	46311-25LA0	412A-1		
43571-25LB0	415A-17	46420-25L00	444A-4		
43572-25LB0	415A-18	47110-25LA0-019	447A-1-1		
43576-07D01	415A-5	47110-25LA0-Y2W	447A-1-2	51103-25L30	521A-1
	415A-12	47117-25LA0	445A-3	51104-25L30	521A-23
43580-25LB0	415A-19		445A-7	51110-25L30	521A-2
43590-25LB0	415A-20	47118-25LA0	447A-2	51120-25L30	521A-24
43610-34A70	417A-1		447A-8	51121-07J00	521A-3
43612-33G40	417A-3	47119-25LA0	447A-5		521A-25
43631-34A01	417A-4		447A-11	51131-25L30	521A-4
43710-34A70	417A-2	47121-25LA0	447A-17		521A-26
43811-25LA0	417A-5	47122-28K00	185A-13	51147-25L30	521A-5
43821-25LA0	417A-6	47123-17K00	447A-3		521A-27
43910-37F00	401A-14		447A-9	51152-47H00	521A-6
44100-25LA0-QT7	420A-1-1	47166-25LA0	445A-26		521A-28
44100-25LA0-YU1	420A-1-2	47210-25LA0-019	447A-6-1	51153-47H00	521A-7
44100-25LA0-YVB	420A-1-3	47210-25LA0-Y2W	447A-6-2		521A-29
44121-07L00	420A-2	47213-25LA0	445A-23	51168-17C00	521A-8
44200-17840	420A-3	47215-25LA0	445A-24		521A-30
44244-11J00	420A-4	47221-25LA0	447A-18	51171-25L30	521A-9
44253-13K00	406A-2	47311-25LA0	445A-10		521A-31
44291-25LA0-QT7	423A-1-1	47321-25LA0	445A-11	51172-22D00	521A-10
44291-25LA0-YU1	423A-1-2	47410-25L00-019	445A-1-1		521A-32
44291-25LA0-YVB	423A-1-3	47410-25L00-CTX	445A-1-3	51173-25L30	521A-11
44292-25LA0	423A-2	47410-25L00-Y2W	445A-1-2		521A-33
44293-25LA0	423A-3	47411-25LA0-QT7	445A-4-1	51175-22D00	521A-12
44294-43H20	423A-4	47411-25LA0-YU1	445A-4-2		521A-34
44423-25LA0	420A-19	47411-25LA0-YVB	445A-4-3	51176-25L30	521A-13
44512-04K00	420A-6	47414-25LA0	406A-1		521A-35
44513-07L10	423A-5	47430-25L00	444A-1	51187-47H00	521A-14
44530-25LA0	420A-9	47431-25LA0	406A-4		521A-36
44541-25L00	420A-16	47436-25L00	444A-6	51189-25L30	521A-15
44542-25L00	420A-20	47437-25L00	444A-7		521A-37
44542-25LA0	420A-10	47441-25LA0	406A-6	51193-25L30	521A-16
44543-25LA0	420A-11	47510-25L00-019	445A-5-1		521A-38
44545-25LA0	420A-12	47510-25L00-CTX	445A-5-3	51311-25L30-291	524A-1
44550-25LA0	420A-13	47510-25L00-Y2W	445A-5-2	51321-25L30	524A-2
44555-33H00	474A-12	47510-28K00	445A-15	51328-25L30	524A-3

50000

PART NO.	FIG.NO.-REF.NO.	PART NO.	FIG.NO.-REF.NO.	PART NO.	FIG.NO.-REF.NO.
51328-37F80	521A-17	55731-25L00	526A-2	59220-13K00	530A-17
	521A-39	56111-25L10	462A-1	59240-25L30	536A-1
51328-44H00	524A-5	56277-06L10	462A-2	59261-25L30	536A-4
51331-25L30-291	524A-4	56278-25L00	462A-3	59263-25L30	536A-5
51344-13K00	524A-10	56500-06L30	464A-1	59264-25L30	536A-6
51353-13K00	524A-11	56600-06L30	464A-2	59270-25L30	536A-7
51356-13K00	524A-12	57059-25D50	467A-11	59300-21810	535A-2
51410-25L30-291	524A-6	57100-06L70	467A-1		535A-16
51482-44H00	524A-9	57110-06L00	467A-2	59300-21860	535A-3
51556-38B00	521A-18	57211-21H01	467A-10		535A-17
	521A-40	57300-14G40	467A-5	59300-26J20-999	535A-15
51631-08D30	524A-14	57341-06L01	472A-1	59303-14500	535A-8
51643-01B10	524A-15	57342-06L00	472A-2		535A-22
51644-12C00	524A-7	57346-06L00	462A-4		555A-6
51815-17D00	521A-19	57431-17H02	467A-6	59305-36E00	555A-5
	521A-41	57431-21D11	467A-13	59351-21E10	535A-27
51827-18K00	447A-4	57441-25L00	467A-14	59382-14500	535A-5
	447A-10	57442-08C01	467A-15		535A-19
51827-27E00	521A-20	57460-14J02	467A-8	59386-13A00	535A-6
	521A-42	57465-17C00	467A-9		535A-20
52110-25L30	521A-21	57500-25D50	467A-12	59440-25L30	536A-2
	521A-43	57541-06L01	472A-3	59480-25L30	536A-3
53111-25LA0	460A-1	57542-48K30	472A-4	59600-04810	537A-2
53120-25L10-CTX	460A-2-3	57560-05A00	467A-19	59600-13G10	537A-1
53120-25L10-Y2W	460A-2-2	57562-41G01	467A-20	59664-32F00	537A-10
53120-25L10-YU1	460A-2-1	57621-25D10	467A-16	59666-44300	537A-3
53130-25L10-CTX	460A-4-3	58200-25L20	466A-1	59667-04700	558A-13
53130-25L10-Y2W	460A-4-2	58273-31001	467A-21	59667-49460	537A-5
53130-25L10-YU1	460A-4-1	58620-25L00	466A-2	59668-41C00	537A-6
54111-25L20	530A-1	58634-25L00	466A-3	59669-05D00	558A-14
54162-25L00	530A-8	59100-26J20-999	535A-1	59669-10G20	537A-4
54162-28K00	550A-1	59101-26830	535A-14	59671-32F00	537A-8
54711-25L00	530A-13	59101-26840	535A-28	59675-02FA0	537A-9
54731-35G00	530A-2	59115-21E10	535A-4		
54741-25L00	530A-14		535A-18		
55110-25L30	530A-10	59121-01A00	535A-11		
55200-29F00	530A-11		535A-25		
55261-44AF0	530A-12		555A-12		
55311-25L00	530A-3-1	59122-46H00	535A-12		
55311-25L10	530A-3-2		535A-26		
55321-25L00	530A-4		555A-13	61100-25LA0	541A-1
55326-25L00	530A-5	59145-21E10	535A-9	61124-44G00	541A-2
	550A-3		535A-23	61196-44H00	557A-1
55412-41F00	530A-9	59146-08J00	535A-10	61211-31E00	541A-6
	550A-2		535A-24	61251-31E00	541A-7
55610-25L10	533A-1		555A-8	61273-25L00	541A-8
55650-25L00	533A-2	59151-21E10	535A-13	61282-25F00	541A-3
55662-10G00	533A-3	59187-21E10	535A-7	61310-25L00	541A-13
55663-10G00	533A-4		535A-21	61445-28H11	541A-15
55710-25L10	526A-1	59210-13K00	530A-16	61446-35G01	541A-16

60000

PART NO.	FIG.NO.-REF.NO.	PART NO.	FIG.NO.-REF.NO.	PART NO.	FIG.NO.-REF.NO.
62100-25L60-17U	545A-1	68165-25L00-CJ8	460A-5-3	69740-01D02	558A-12
62600-25810	543A-1	68271-25L00-CJ5	433A-3-1		
62600-25820	543A-6	68271-25L00-CJ6	433A-3-2		
62646-37F10	543A-10	68271-25L00-CJ7	433A-3-3		
62658-37F10	543A-11	68275-25L00-CJ5	433A-4-1		
62684-40A10	543A-12	68275-25L00-CJ6	433A-4-2		
62994-47H00	530A-15	68275-25L00-CJ7	433A-4-3		
63111-25LA0	474A-1	68281-25L00-CJ5	433A-7-1		
63112-25LA0	474A-2	68281-25L00-CJ6	433A-7-2		
63113-15H10	310A-2	68281-25L00-CJ7	433A-7-3		
63117-25LA0	474A-15	68281-47HA0	481A-15		
63118-25LA0	474A-8	68285-25L00-CJ5	433A-8-1		
63119-25LA0	474A-13	68285-25L00-CJ6	433A-8-2		
63219-25LA0	474A-14	68285-25L00-CJ7	433A-8-3		
63311-25LA0	474A-3	68318-17KJ0	496A-5		
64111-25L20	550A-4	68319-06L00	496A-1		
64511-25L20	550A-23	68332-25L60	496A-2		
64610-47H00	550A-24	68391-06L00	496A-3		
64651-47H10	550A-12	69100-04810	555A-2		
64711-25L00	550A-17	69100-04820	555A-3		
64721-13K00	550A-18	69100-08850	555A-15		
64723-25L00	550A-19	69100-25L30-999	555A-1		
64731-25L00	550A-5	69115-04F00	555A-4		
64733-44G00	550A-20	69132-08J00	555A-16		
64741-25L00	550A-21	69133-06G00	555A-17		
64751-44G00	550A-22	69134-06G00	555A-18		
65110-25L30	550A-14	69141-40F00	555A-7		
65200-25L00	550A-15	69150-25L00	555A-14		
65261-25L00	550A-16	69182-04F00	555A-9		
65311-25L00	550A-6-1	69185-04F00	555A-10		
65311-25L10	550A-6-2	69186-04F00	555A-11		
65321-25L00	550A-7	69200-25L00	557A-2		
65323-25L00	550A-8	69211-06L10	550A-28		
65324-25L00	550A-9	69261-25L00	557A-3		
65710-25L10	526A-3	69268-25L30	557A-4		
68111-47C10-YKV	433A-2-1	69400-25L30	557A-5		
	433A-6-1	69486-31J00	557A-6		
68111-47C10-YLF	433A-2-2	69600-34810	558A-2		
	433A-6-2	69600-47H10	558A-1		
68135-25L00-CJ2	445A-2-1	69665-47H00	558A-4		
68135-25L00-CJ3	445A-2-2	69670-40A00	558A-6		
68135-25L00-CJ4	445A-2-3	69672-00B20	558A-8		
68145-25L00-CJ2	445A-6-1	69674-00B20	558A-10		
68145-25L00-CJ3	445A-6-2	69686-34200	558A-9		
68145-25L00-CJ4	445A-6-3	69689-04A00	558A-15		
68155-25L00-CJ5	460A-3-1	69689-49300	537A-7		
68155-25L00-CJ6	460A-3-2	69691-00A00	558A-3		
68155-25L00-CJ8	460A-3-3	69692-44H00	558A-5		
68165-25L00-CJ5	460A-5-1	69693-05A00	558A-7		
68165-25L00-CJ6	460A-5-2	69730-25L30	558A-17		

90000

PART NO.	FIG.NO.-REF.NO.	PART NO.	FIG.NO.-REF.NO.	PART NO.	FIG.NO.-REF.NO.
00000		03211-0416A	339A-7	08322-0110A	505A-4
		03511-0516A	155A-22	08331-31109	116A-16
		03541-0412A	350A-10	08331-3114A	212A-26
		03541-0512A	333A-8	08331-3118A	407A-10
01547-0610A	189A-11		406A-5	08331-31409	120A-17
01547-0612A	427A-8		406A-7	08331-31529	124A-6
	466A-6		433A-14		124A-12
	536A-13		444A-10	08332-1104B	417A-9
	557A-10		445A-22	08332-1106B	415A-28
	558A-16		474A-7	08361-3506A	301A-8
01547-0616A	526A-7	03541-0512C	481A-11	09100-05022	102A-7
01547-0616B	444A-5	03541-0516A	187A-30	09100-08287	541A-17
	536A-14	04111-2015A	433A-15	09103-06148	103A-7
01547-0620A	116A-15	04211-09149	558A-22	09103-06222	113A-4
	180A-10	04211-11169	113A-12	09103-06266	103A-2
	189A-12	04211-13189	107A-3	09103-06525	187A-9
01547-0620B	467A-17	04221-04089	103A-10		187A-23
01547-0625A	301A-7		120A-7	09103-06527	113A-16
01547-0630A	116A-5	07120-0612A	212A-5		114A-6
	140A-21	07120-0616A	420A-15		180A-4
	557A-11	07120-0620A	172A-8		201A-31
01547-0645A	108A-5		178A-3		212A-34
01547-0655A	108A-6	07120-0816B	187A-15	09103-06528	113A-5
01550-0512A	415A-7	07120-0816B	401A-6	09103-06529	114A-7
	415A-14	07130-0840B	401A-13	09103-06530	113A-10
01550-0612A	103A-9	07130-0512A	303A-8	09103-06532	180A-7
	155A-19		303A-9	09103-06533	113A-11
	533A-6	07130-0612A	550A-13	09103-08207	401A-15
	557A-12	07130-0625B	127A-6	09103-08568	412A-2
01550-0616A	185A-19	07130-0635A	127A-11	09103-10064	545A-2
	466A-7	07130-0820B	303A-10	09103-10338	120A-18
01550-0620A	116A-19	08123-6205B	545A-5	09103-10415	415A-21
01550-0620B	350A-15	08211-06141	550A-11	09103-10428	545A-3
01550-0625A	313A-3	08310-0006A	212A-14	09103-12031	543A-13
01550-0635A	420A-14	08313-2008A	201A-40	09103-12142	543A-14
01550-0816B	350A-18	08316-1006A	481A-13	09103-12143	109A-12
01550-0820B	401A-12		313A-4	09103-12144	109A-13
01550-0830A	535A-29		334A-4	09103-12145	103A-14
01550-0840A	481A-12		334A-9	09103-12146	303A-5
01550-0850A	108A-7		427A-10	09106-05023	212A-41
01550-0860A	108A-8	08316-1008A	505A-5	09106-06075	109A-2
01550-0895A	108A-9	08316-1008B	541A-18	09106-08151	417A-7
01550-1025B	163A-8	08319-2106A	163A-17	09106-08160	550A-29
02112-0530B	467A-3		467A-7	09106-08162	163A-12
02112-0540B	467A-4		467A-18	09106-08167	415A-22
02122-0616A	140A-25	08319-3105A	333A-11	09106-08171	415A-23
02142-0520A	155A-17	08319-3110A	407A-5	09106-08178	163A-4
02142-0616B	557A-13		550A-27	09106-08195	163A-13
02162-0612A	185A-20	08322-0106A	558A-21	09106-08206	415A-24
		08322-0106B	474A-16	09106-08212	530A-18

PART NO.	FIG.NO.-REF.NO.	PART NO.	FIG.NO.-REF.NO.	PART NO.	FIG.NO.-REF.NO.
09106-10100	401A-3		445A-13	09180-06086	460A-10
09106-10102	103A-15	09148-05045	333A-4	09180-06256	163A-24
09111-06041	212A-13		445A-18	09180-06261	339A-10
09111-06072	541A-9		481A-14	09180-06290	185A-17
09111-06106	447A-23	09148-05052	447A-13	09180-08152	163A-6
	474A-4		460A-9		163A-15
09111-06262	406A-3		472A-6		401A-9
	483A-6	09159-05048	454A-3	09180-12162	543A-16
09111-10059	407A-2	09159-06096	339A-9	09180-12163	543A-9
09116-05030	330A-4	09159-10115	545A-4	09181-08167	401A-16
09116-06150	533A-5	09159-12056	543A-15	09181-10158	116A-13
09116-06172	420A-7	09159-12072	109A-14	09181-14195	212A-23
09116-06188	460A-6	09159-18007	541A-11	09181-24005	206A-29
09116-06205	541A-10	09159-20004	206A-49	09181-25223	201A-22
09116-08176	163A-5	09159-24010	201A-20	09181-25268	206A-50
09118-06097	185A-15	09160-08159	350A-17	09181-30167	206A-37
09122-66010	541A-4	09160-08162	163A-14	09200-06037	558A-20
09126-06011	206A-43	09160-10020	201A-32	09202-04017	124A-5
09126-06014	212A-22	09160-10047	212A-37		124A-11
09126-06019	505A-11	09160-12036	303A-6	09206-08001	103A-3
09128-06013	311A-4	09160-15045	201A-33	09206-12007	122A-6
09135-06027	189A-7	09160-18022	407A-8	09208-06012	417A-8
09135-06034	187A-10	09160-18030	541A-12	09208-08010	415A-26
	187A-24	09160-18037	212A-38	09247-14036	116A-3
09135-06035	113A-6	09160-25036	201A-3	09248-10010	109A-10
09136-05062	339A-8	09160-25056	201A-19	09248-14011	109A-5
09136-06147	212A-8	09160-25073	201A-4	09248-16012	109A-6
09139-05066	454A-2	09160-27008	206A-9		113A-9
09139-05073	444A-11	09161-05010	454A-4	09248-26001	180A-3
09139-05091	433A-11	09161-10009	521A-22	09250-06015	524A-13
	460A-7		521A-44	09250-06017	445A-14
09139-05092	472A-5		536A-9	09250-08012	103A-11
09139-05094	481A-7		557A-7	09259-20008-XC0	114A-8
09139-06139	558A-11	09164-24008	201A-21	09259-26012	113A-13
09139-06144	536A-8	09167-27001	206A-10	09261-04009	116A-14
09139-06153	206A-44	09168-06018	113A-7	09261-06003	206A-38
09139-06159	206A-45	09168-06023	103A-8	09262-22049	530A-6
09139-06206	333A-3	09168-06026	187A-11	09262-25006	212A-9
	483A-7	09168-10002	109A-9	09262-25073	206A-11
09139-06211	444A-8	09168-12017	187A-32	09262-32024	550A-25
09139-06214	185A-16	09168-14002	109A-3	09263-10014	201A-34
09139-06221	415A-25		116A-4	09263-12027	201A-35
	460A-8	09168-16002	109A-4	09263-14027	212A-24
09139-06225	474A-9		113A-8	09263-15003	201A-36
	541A-14	09169-06032	313A-2	09263-17059	543A-2
09139-06240	163A-23	09169-06076	333A-10		543A-7
09139-06245	447A-20	09169-06100	543A-3	09263-20053	543A-3
09140-06020	212A-35		334A-7	09263-20087	206A-30
09140-06025	212A-36	09169-08053	412A-3	09263-20123	206A-12
09148-05038	187A-25	09169-08054	401A-8	09263-24030	206A-31

SUZUKI DL800DERCM3 PARTS CATALOGUE

SUZUKI MOTOR CORPORATION All rights reserved

No part of this document may be reproduced or transmitted in any form or by any means, electronic or mechanical, for any purpose, without the express written permission of Suzuki Motor Corporation.

SUZUKI MOTOR CORPORATION

Service Material Development Group, Automobile & Motorcycle Service Engineering Dept.
300 Takatsuka, Minami, Hamamatsu, Japan

SUZUKI MOTOR CORPORATION