

SUZUKI

PARTS CATALOGUE

DL1050M3

(EF11A/EF13A)

DL1050RJ
DL1050RR

E21



2022-10

1ST EDITION

PREFACE

When it becomes necessary to replace parts on SUZUKI MOTORCYCLES, always use SUZUKI GENUINE PARTS which have passed a strict inspection which guarantees quality and performance.

This parts catalogue covers the list of all service parts for SUZUKI DL1050RJM3, DL1050RRM3.

INSTRUCTIONS FOR QUOTING THE CATALOGUE

1. DIMENSIONS

Dimensions of the parts in this catalogue are indicated in unit millimeters.

2. ABBREVIATIONS

Abbreviations used in this catalogue are as follows:

AR	: As required	NT	: Number of teeth
ASSY	: Assembly	OPT	: Optional
E. NO.	: Engine number	OS	: Over size
F. NO.	: Frame number	STD	: Standard
D	: Diameter of material	T	: Thickness
ID	: Inside diameter	US	: Under size
OD	: Outside diameter	W	: Width
L	: Length		
LH	: Left hand side		
RH	: Right hand side		
~100045	: Up to F. NO. 100045		
100046~	: From F. NO. 100046		
12 x 34 x 5.6 Figures in the description column		
	show the dimensions of parts.		
ID OD T	(or W, L)		

3. INNER PARTS OF ASSEMBLY

Part name with a dot (.) in front as shown in the description column indicates the component of the assembly also available individually.

4. MODIFICATION NOTICE

A parts bulletin will be sent to you on all occasions when changes in parts occur, including interchangeable modifications between new parts and old ones.

5. NOTE

- 5-1. There are some different parts from those of production models among spare parts for the administrative reasons and common use of them with other models.
- 5-2. In respect of rubber hoses and vinyl tubes, please be sure to use them by cutting off according to the length mentioned on parts catalogue or what is actually required on the vehicle.
- 5-3. Note that the drawings on the illustration page are for ready reference of spare parts number, not to be used as an assembly manual.
When assembling, use "SUZUKI SERVICE MANUAL".

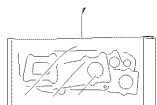
6. SPECIFICATION CODE

This catalogue contains the parts for the model designed for the following spec. ;
spec. code : E21.

7. SERIAL FRAME NUMBER

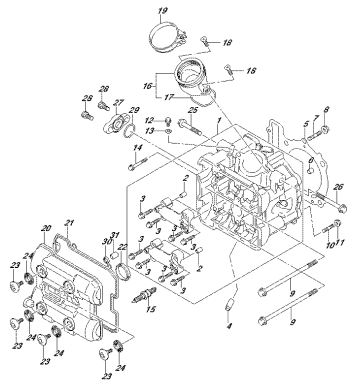
DL1000RJM3 : JS1EF13AZP7100043~
DL1000RRM3 : JS1EF11AZP7100016~

FIG. 101A



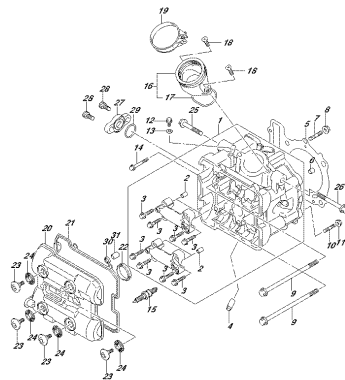
3X 1058PRM1_EPL_101A
GASKET SET

FIG. 104A



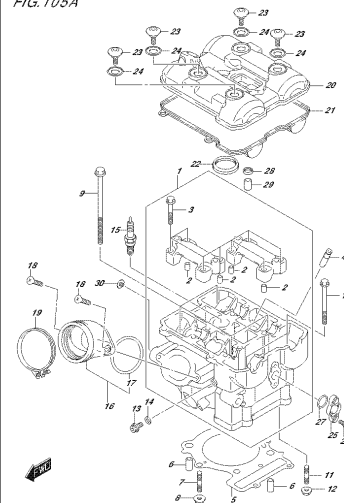
3X 1058PRM1_EPL_104A
CYLINDER HEAD/TIGHTEN

FIG. 104B



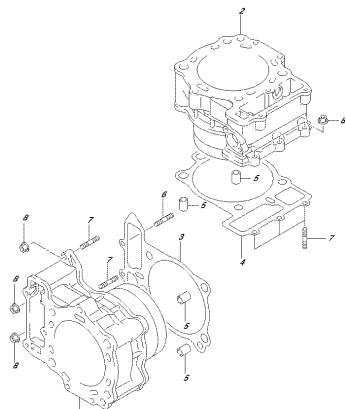
3X 1058PRM1_EPL_104B
CYLINDER HEAD/TIGHTEN

FIG. 105A



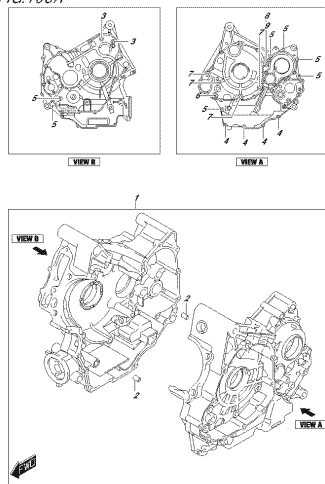
3X 1058PRM1_EPL_105A
CYLINDER HEAD/TIGHTEN

FIG. 107A



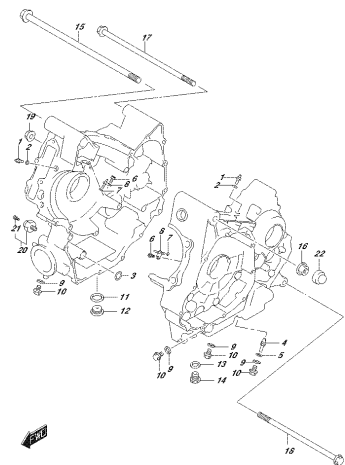
3X 1058PRM1_EPL_107A
CYLINDER

FIG. 108A



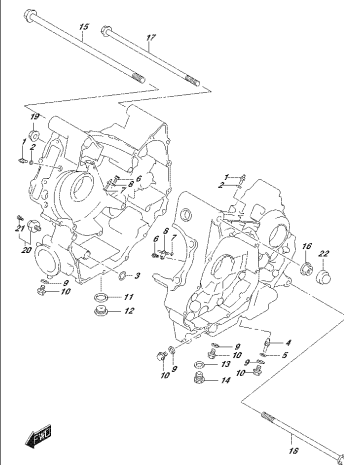
3X 1058PRM1_EPL_108A
CYLINDER

FIG. 109A



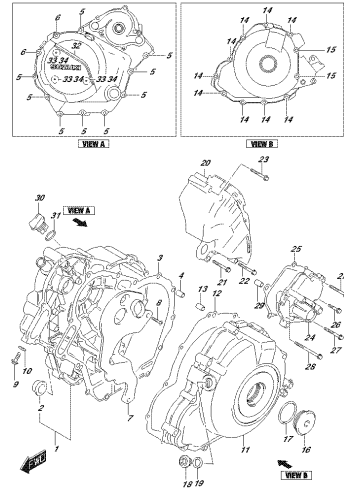
3X 1058PRM1_EPL_109A
CYLINDER

FIG. 109B



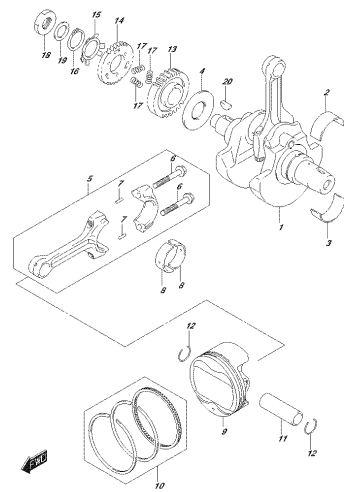
3X 1058PRM1_EPL_109B
CYLINDER

FIG. 112A



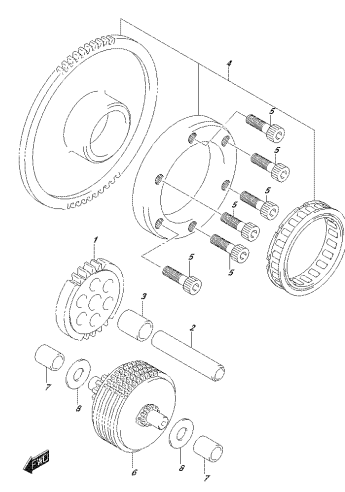
EX 100PRAMEL_EST_112A
CARBURATORE C/3507

FIG. 120A



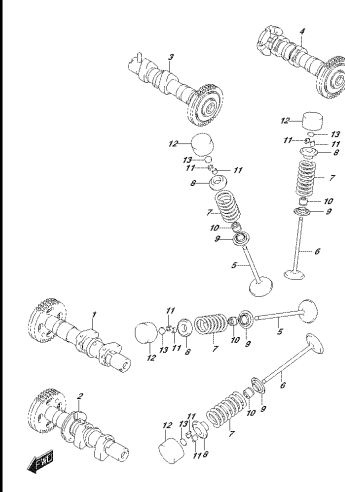
EX 100PRAMEL_EST_120A
STARTER CLUTCH

FIG. 122A



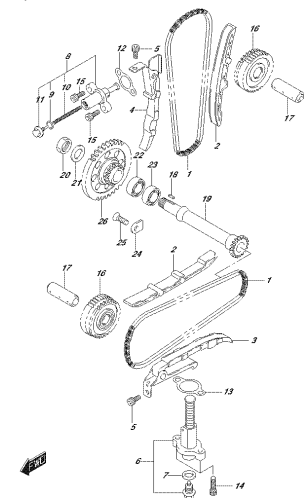
EX 100PRAMEL_EST_122A
STARTER CLUTCH

FIG. 126A



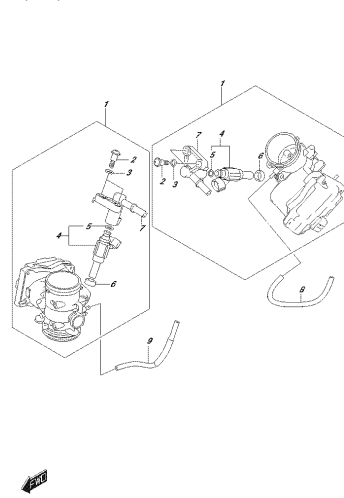
EX 100PRAMEL_EST_126A
CARBURATORE

FIG. 127A



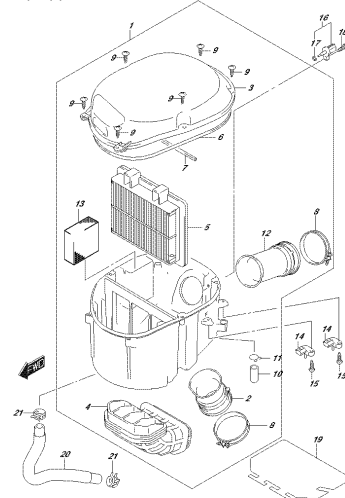
EX 100PRAMEL_EST_127A
CARBURATORE

FIG. 140A



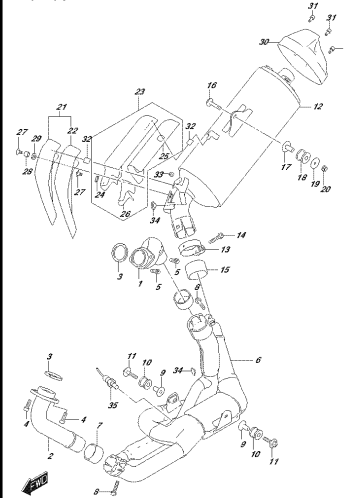
EX 100PRAMEL_EST_140A
CARBURATORE

FIG. 155A



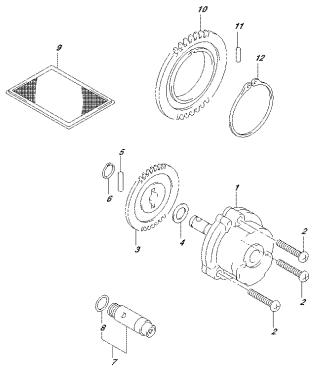
EX 100PRAMEL_EST_155A
AIR CLEANER

FIG. 163A



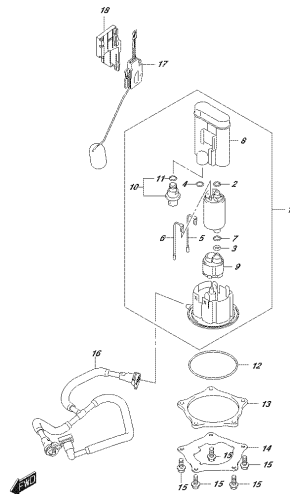
EX 100PRAMEL_EST_163A
FUEL FILTER

FIG. 170A



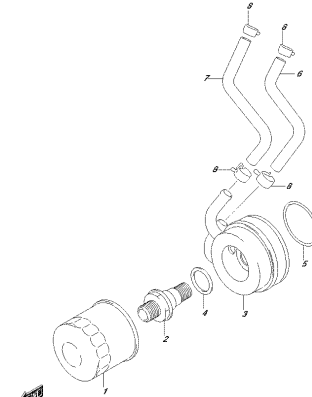
EX. 1028PRM/EST. 170A
CE. PUMP

FIG. 172A



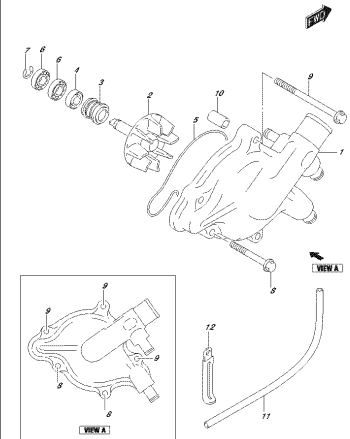
EX. 1028PRM/EST. 172A
FUELPUMP

FIG. 178A



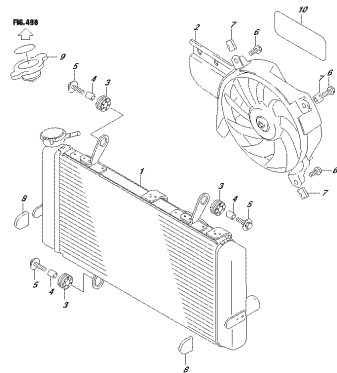
EX. 1028PRM/EST. 178A
CE. COOLP

FIG. 180A



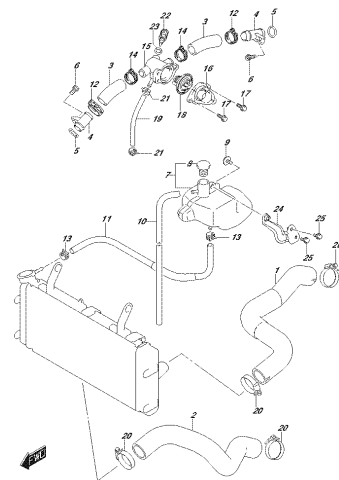
EX. 1028PRM/EST. 180A
WATERPUMP

FIG. 185A



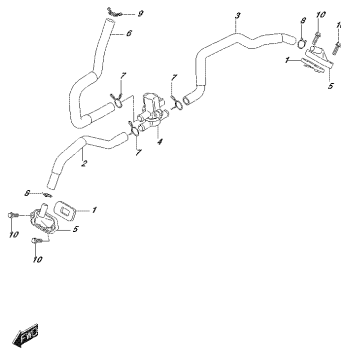
EX. 1028PRM/EST. 185A
RADIATOR

FIG. 187A



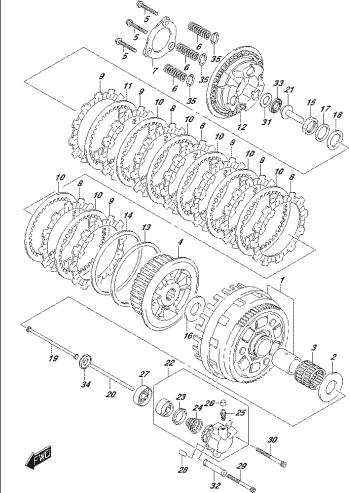
EX. 1028PRM/EST. 187A
RADIATORHOSE

FIG. 189A



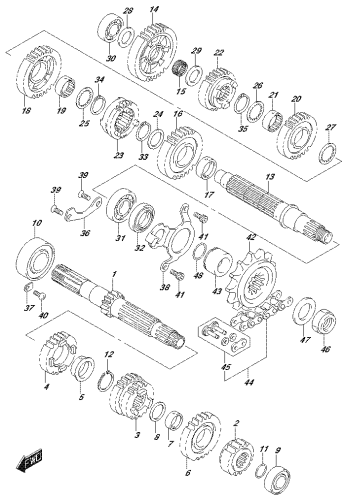
EX. 1028PRM/EST. 189A
RHD-RR

FIG. 201A



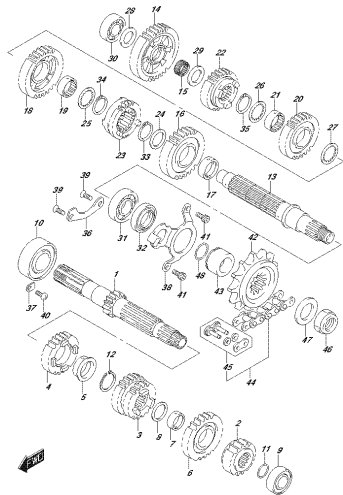
EX. 1028PRM/EST. 201A
CLUTCH

FIG.206A



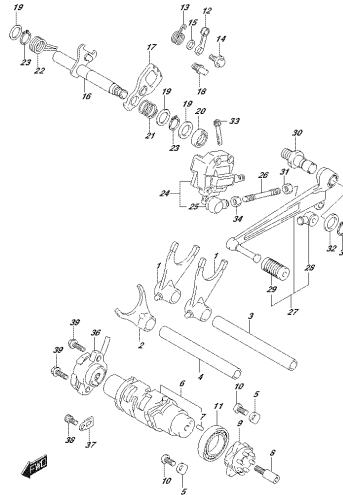
EX. 0208PRM01_EPL_2154
IT0445603201

FIG.206B



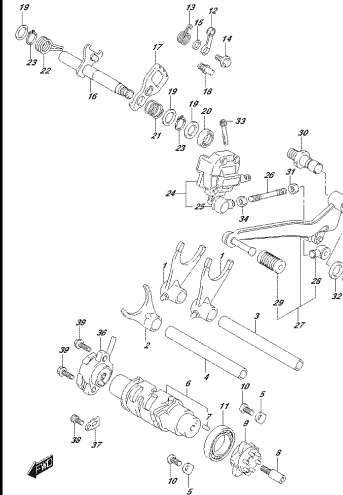
EX. 0208PRM01_EPL_2160
IT0445603201

FIG.212A



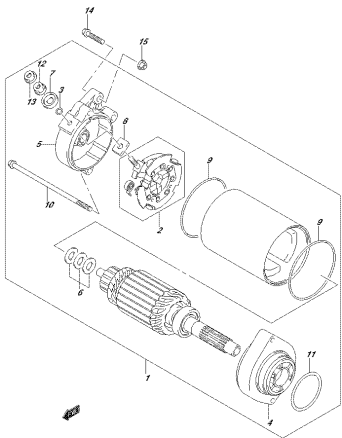
EX. 0208PRM01_EPL_2154
02040310770

FIG.212B



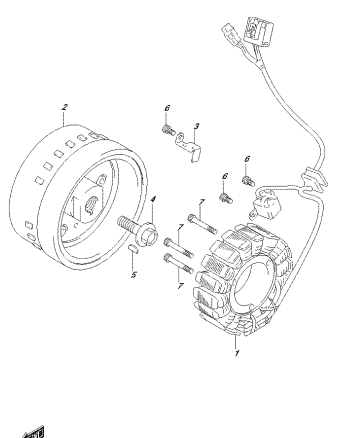
EX. 0208PRM01_EPL_2159
02040310770

FIG.301A



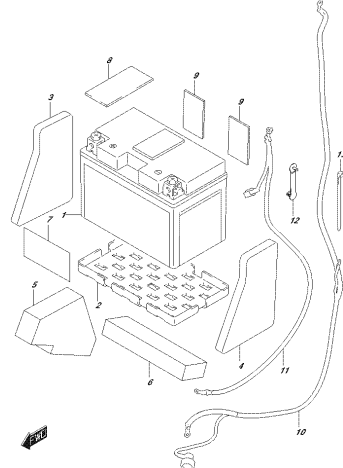
EX. 0208PRM01_EPL_3014
SARTRIO G107C1

FIG.303A



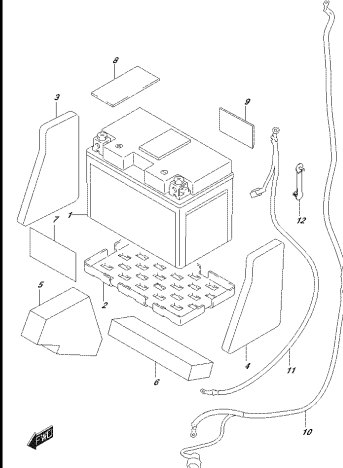
EX. 0208PRM01_EPL_3034
SARTRIO

FIG.310A



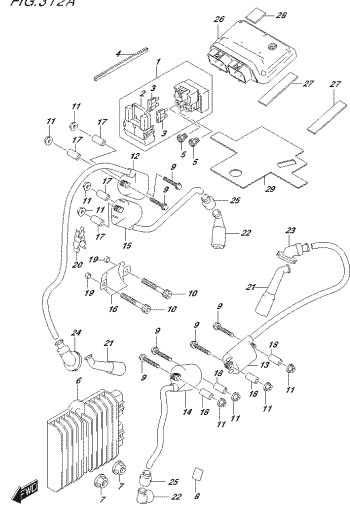
EX. 0208PRM01_EPL_3104
SARTRIO

FIG.310C



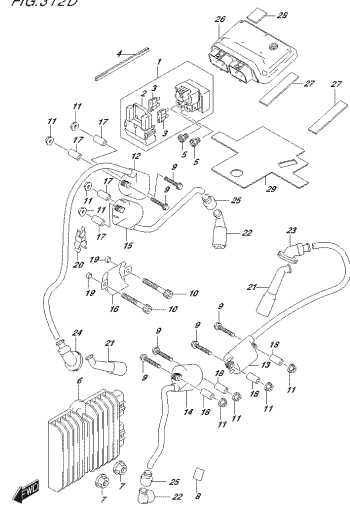
EX. 0208PRM01_EPL_310C
SARTRIO

FIG.312A



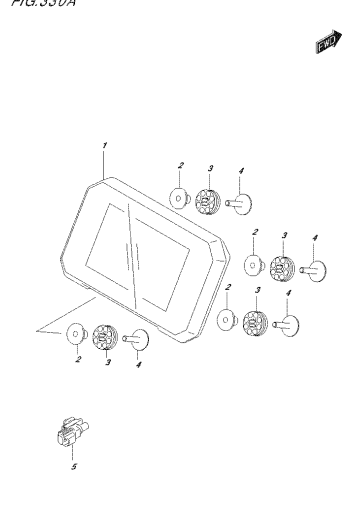
EX.1000PRM1_EPL_0104
ELECTRICAL

FIG.312D



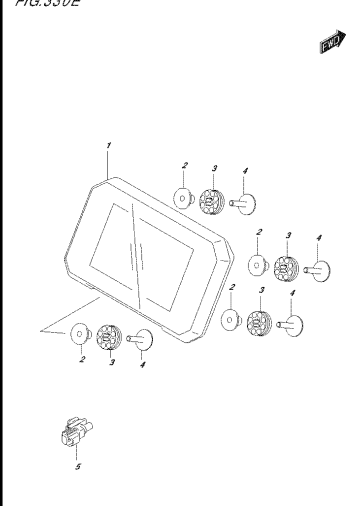
EX.1000PRM1_EPL_0107
ELECTRICAL

FIG.330A



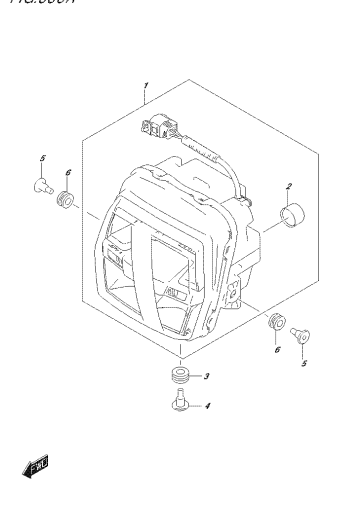
EX.1000PRM1_EPL_0304
SPEEDOMETER

FIG.330E



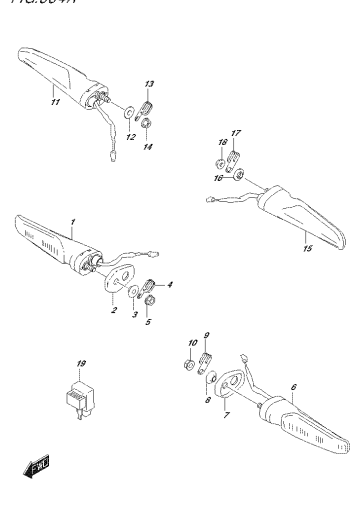
EX.1000PRM1_EPL_0306
SPEEDOMETER

FIG.333A



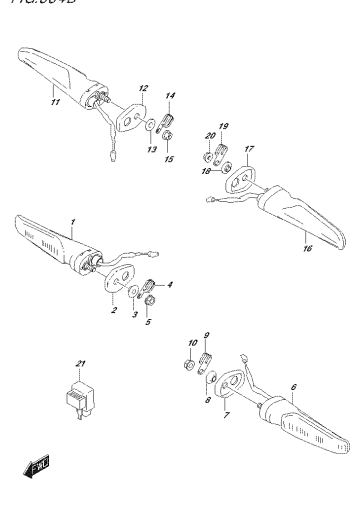
EX.1000PRM1_EPL_0304
HEADLAMP

FIG.334A



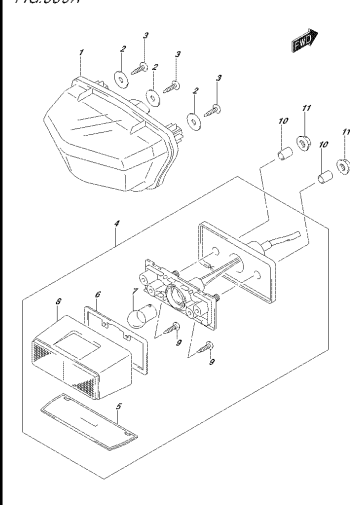
EX.1000PRM1_EPL_0304
TURN SIGNAL LAMP

FIG.334B



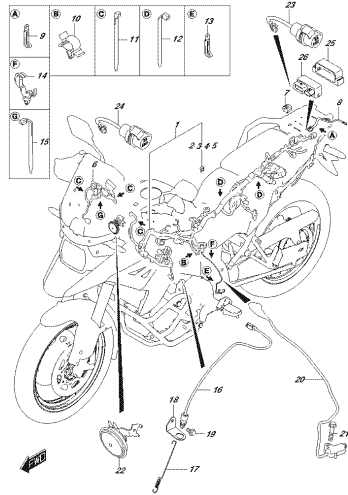
EX.1000PRM1_EPL_0307
TURN SIGNAL LAMP

FIG.339A



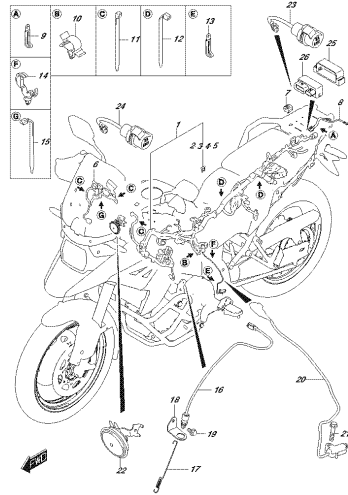
EX.1000PRM1_EPL_0304
REAR COMBINATION LAMP

FIG.350B



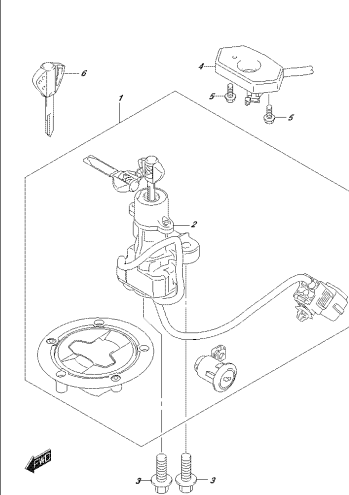
EX.1000PRM1_EST_350B
MOTORCYCLE

FIG.350E



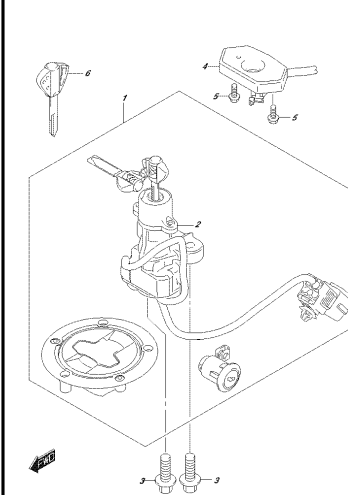
EX.1000PRM1_EST_350E
MOTORCYCLE

FIG.352A



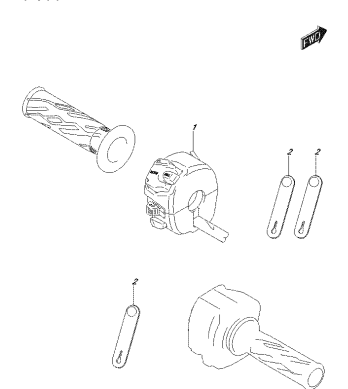
EX.1000PRM1_EST_352A
MOTORCYCLE

FIG.352C



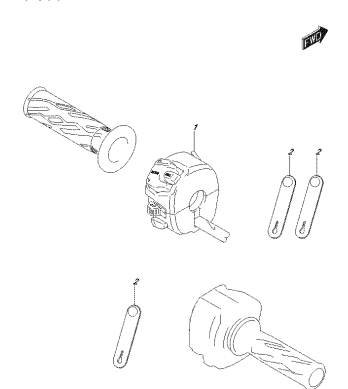
EX.1000PRM1_EST_352C
MOTORCYCLE

FIG.355A



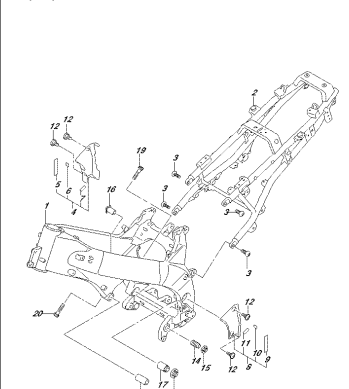
EX.1000PRM1_EST_355A
HANDLESWITCH

FIG.355B



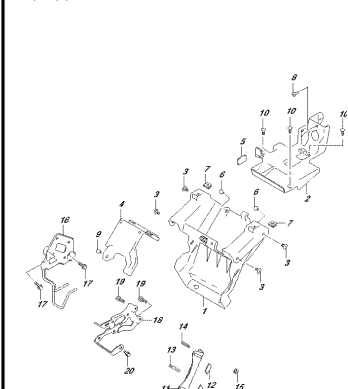
EX.1000PRM1_EST_355B
HANDLESWITCH

FIG.401A



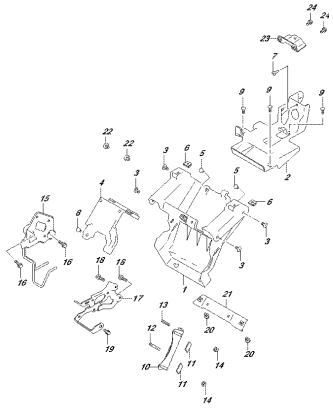
EX.1000PRM1_EST_401A
FRAME

FIG.406A



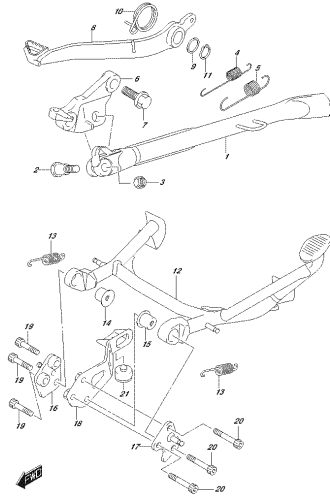
EX.1000PRM1_EST_406A
FRAME

FIG.406C



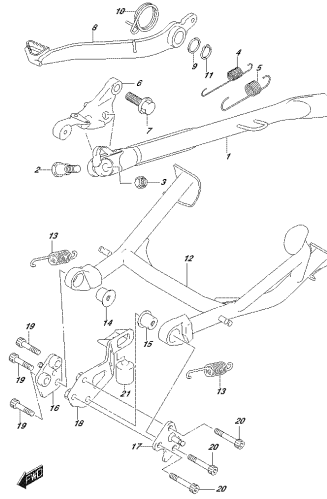
EX. 0203PRM1, EST. #1404
SEAT HOLDER

FIG.407A



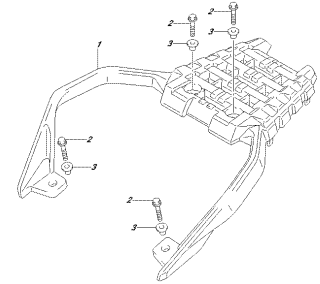
EX. 0203PRM1, EST. #1404
SEAT STAND

FIG.407C



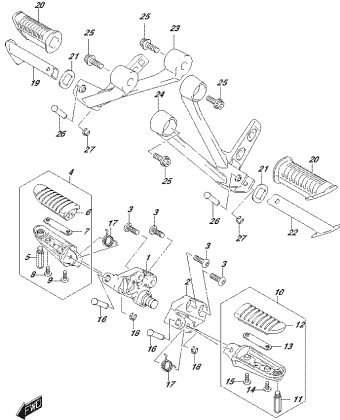
EX. 0203PRM1, EST. #1404
SEAT STAND

FIG.412A



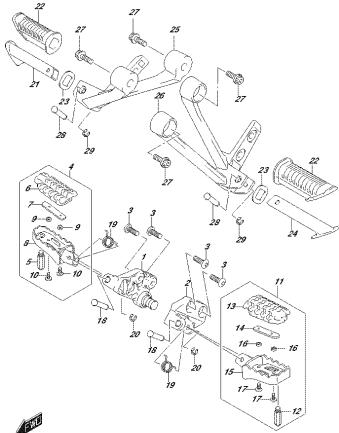
EX. 0203PRM1, EST. #1404
CARRIER

FIG.415A



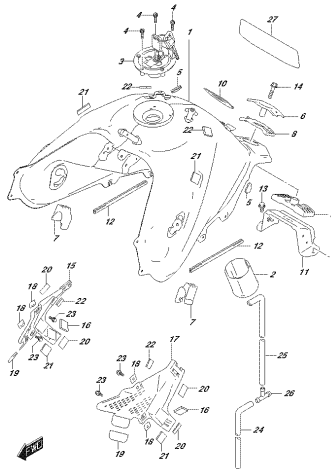
EX. 0203PRM1, EST. #1404
FOOTREST

FIG.415B



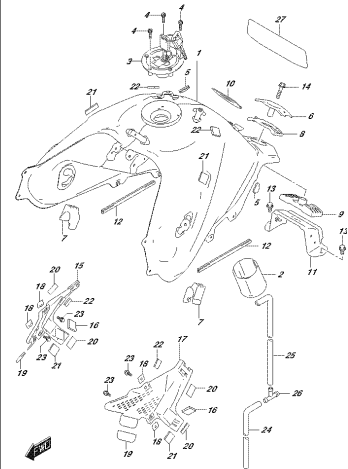
EX. 0203PRM1, EST. #1404
FOOTREST

FIG.420A



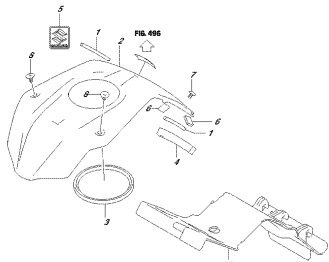
EX. 0203PRM1, EST. #1404
FUEL DRAW

FIG.420B



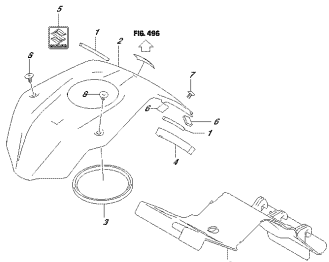
EX. 0203PRM1, EST. #1404
FUEL DRAW

FIG.423A



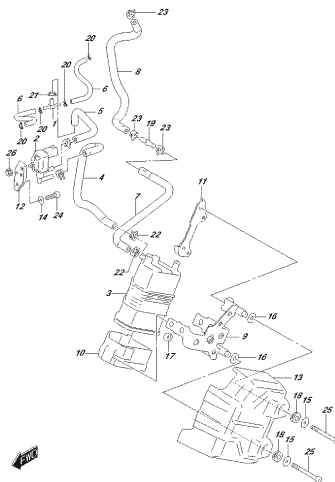
SUZUKI
SUZUKI PARTS DIV.
SUZUKI MOTOR CO. LTD.

FIG.423B



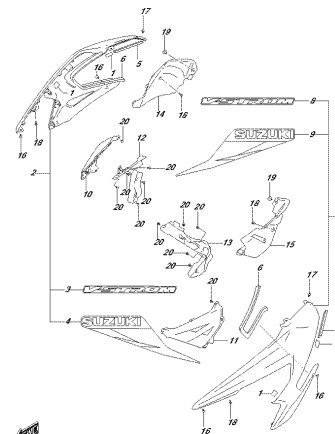
SUZUKI
SUZUKI PARTS DIV.
SUZUKI MOTOR CO. LTD.

FIG.427B



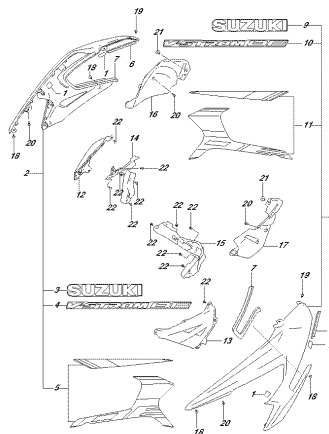
SUZUKI
SUZUKI PARTS DIV.
SUZUKI MOTOR CO. LTD.

FIG.433A



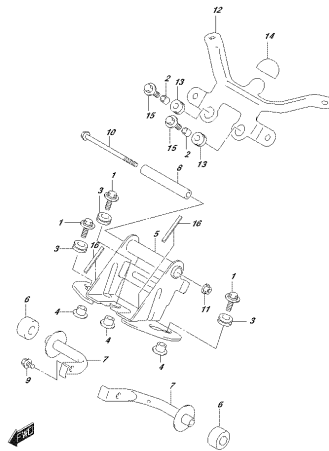
SUZUKI
SUZUKI PARTS DIV.
SUZUKI MOTOR CO. LTD.

FIG.433B



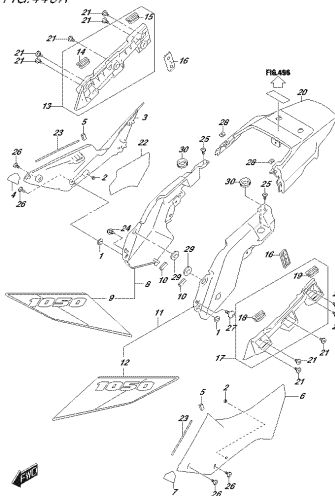
SUZUKI
SUZUKI PARTS DIV.
SUZUKI MOTOR CO. LTD.

FIG.444A



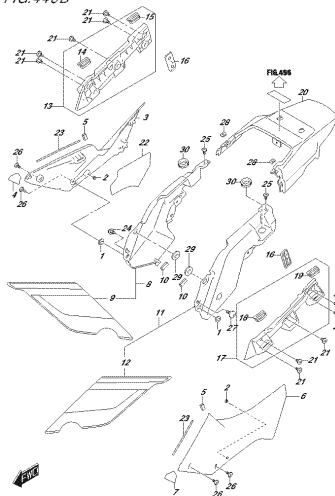
SUZUKI
SUZUKI PARTS DIV.
SUZUKI MOTOR CO. LTD.

FIG.445A



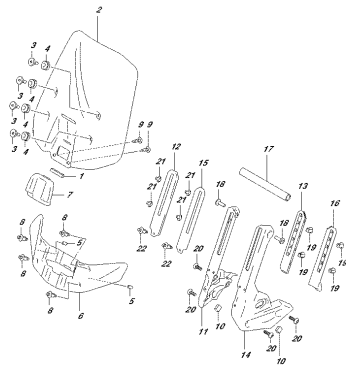
SUZUKI
SUZUKI PARTS DIV.
SUZUKI MOTOR CO. LTD.

FIG.445B



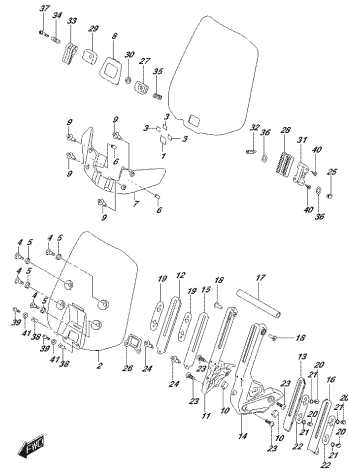
SUZUKI
SUZUKI PARTS DIV.
SUZUKI MOTOR CO. LTD.

FIG.454A



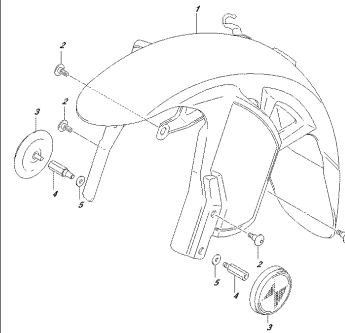
EL 100PRAMEL_ESTL_454A
HIFOCROKESI

FIG.454C



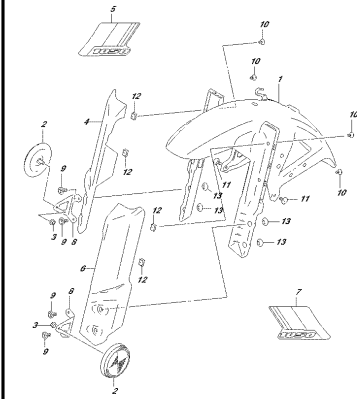
EL 100PRAMEL_ESTL_454C
HIFOCROKESI

FIG.460A



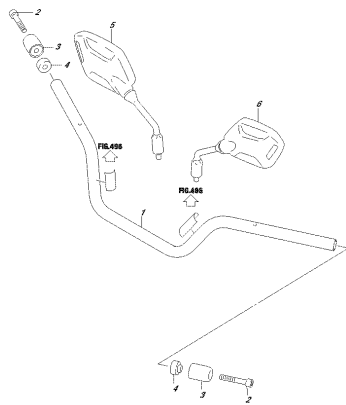
EL 100PRAMEL_ESTL_460A
FRONTTENDER

FIG.460B



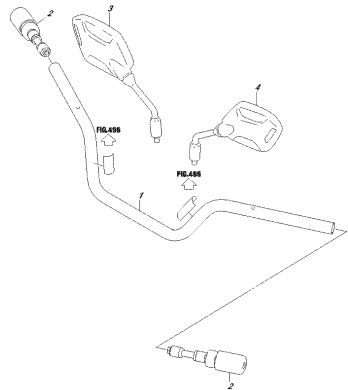
EL 100PRAMEL_ESTL_460B
FRONTTENDER

FIG.462A



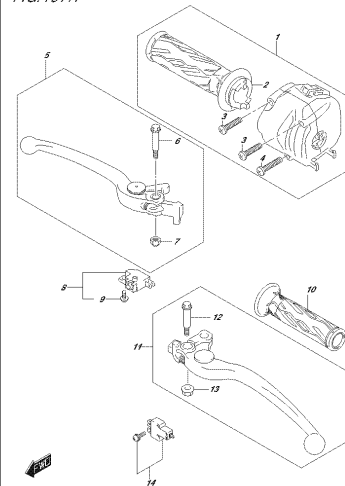
EL 100PRAMEL_ESTL_462A
HATKELLEBER

FIG.462B



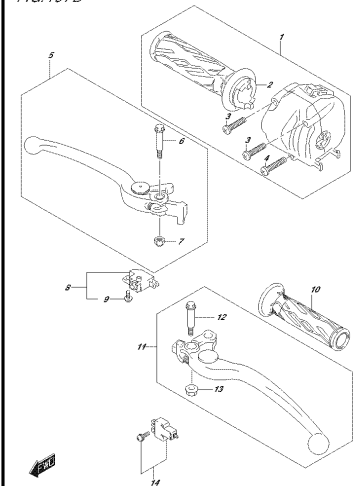
EL 100PRAMEL_ESTL_462B
HATKELLEBER

FIG.467A



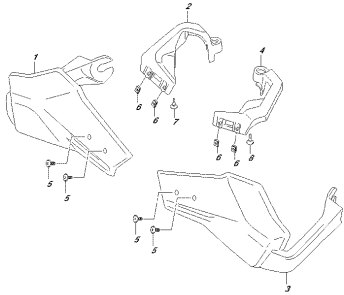
EL 100PRAMEL_ESTL_467A
HATKELLEBER

FIG.467B



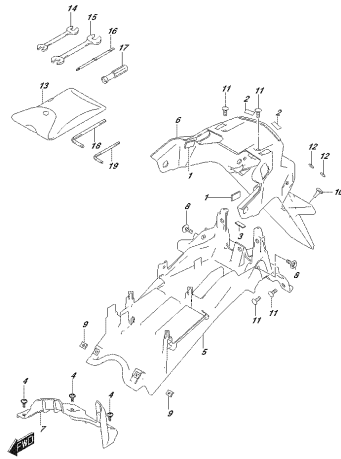
EL 100PRAMEL_ESTL_467B
HATKELLEBER

FIG.472A



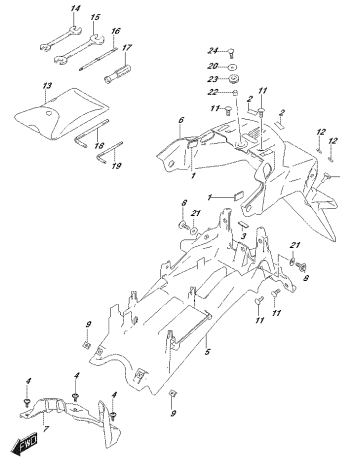
EX. 0203PRAMEL_EST_472A
HANDLE CONTROL

FIG.474A



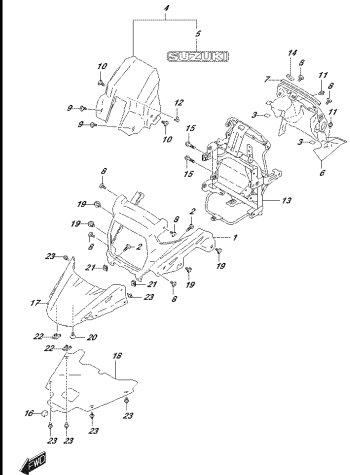
EX. 0203PRAMEL_EST_474A
REAR FENDER

FIG.474B



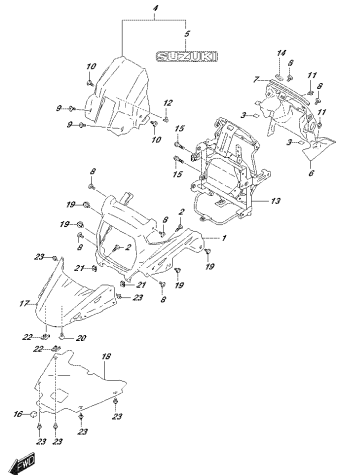
EX. 0203PRAMEL_EST_474B
REAR FENDER

FIG.481A



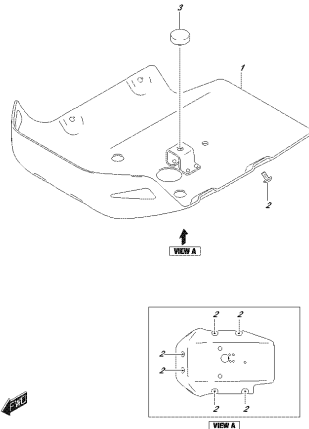
EX. 0203PRAMEL_EST_481A
COMPARABLE 227

FIG.481B



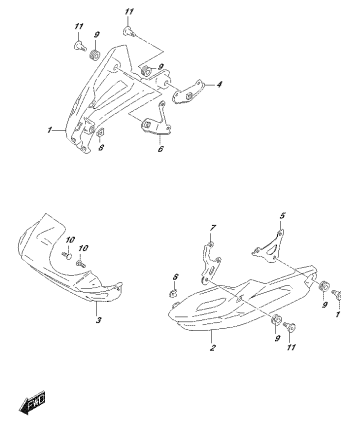
EX. 0203PRAMEL_EST_481B
COMPARABLE 227

FIG.483A



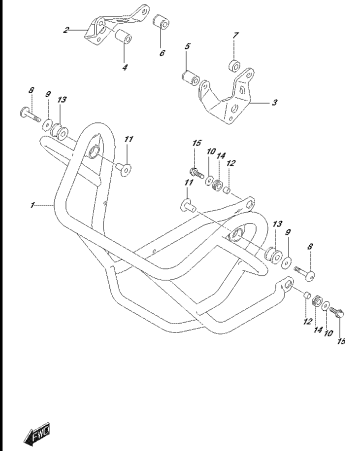
EX. 0203PRAMEL_EST_483A
LICENSE CONTROL

FIG.483B



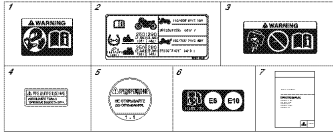
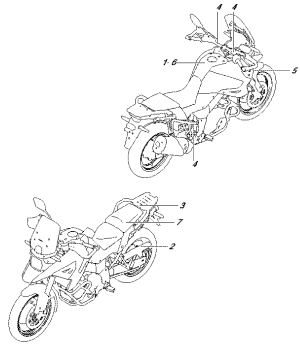
EX. 0203PRAMEL_EST_483B
LICENSE CONTROL

FIG.492A



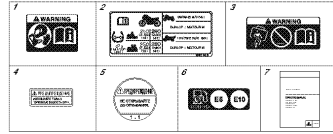
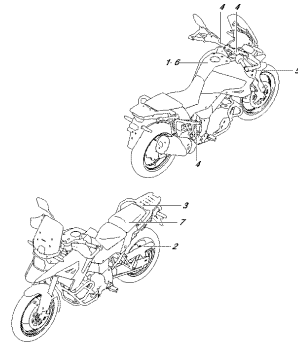
EX. 0203PRAMEL_EST_492A
FRONT FENDER

FIG.496E



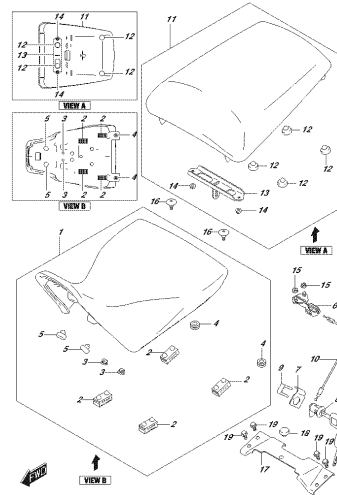
EX_T00PRM2L_EDL_4NF6
LARGE

FIG.496F



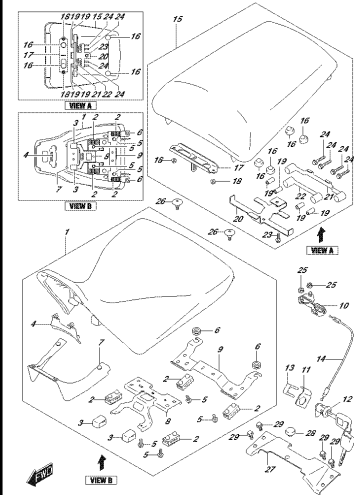
EX_T00PRM2L_EDL_4NF7
LARGE

FIG.505A



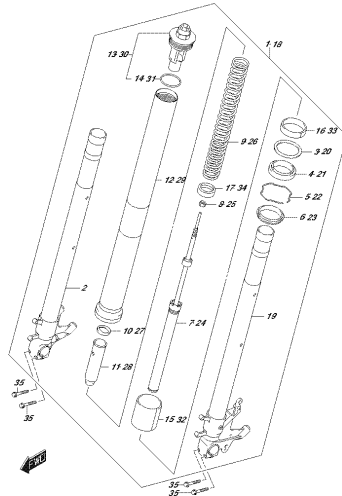
EX_T00PRM2L_EDL_505A
20x4

FIG.505B



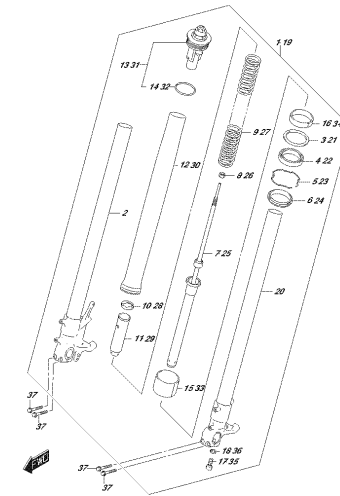
EX_T00PRM2L_EDL_505B
20x4

FIG.521A



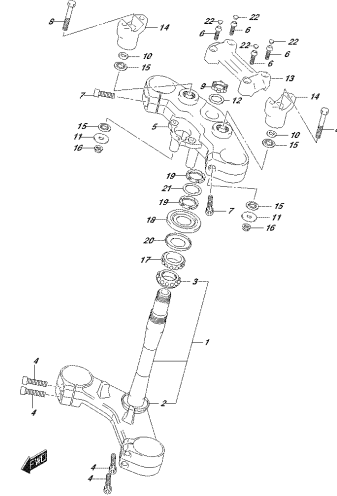
EX_T00PRM2L_EDL_521A
FRONT FORK CHAMBER

FIG.521B



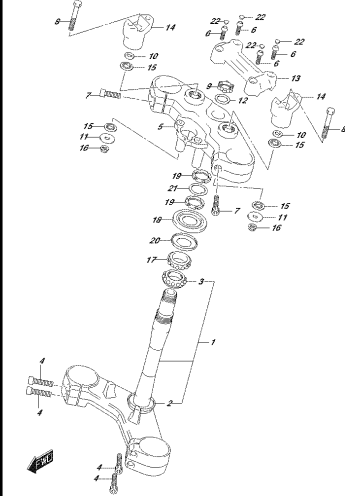
EX_T00PRM2L_EDL_521B
FRONT FORK CHAMBER

FIG.524A



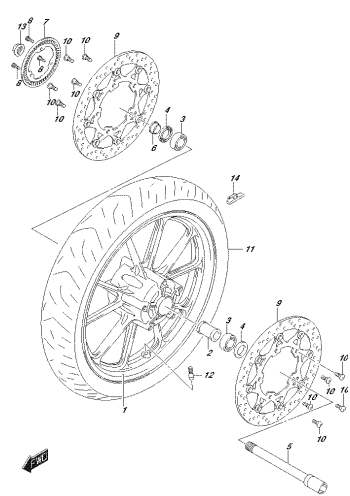
EX_T00PRM2L_EDL_524A
STEERING SYSTEM

FIG.524B



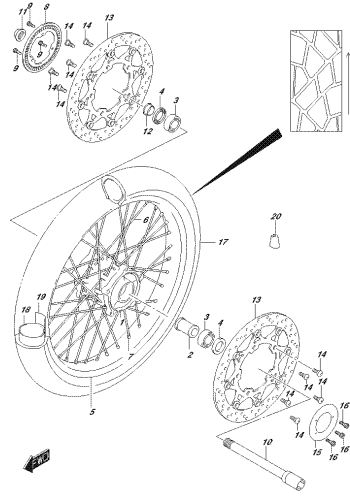
EX_T00PRM2L_EDL_524B
STEERING SYSTEM

FIG. 530A



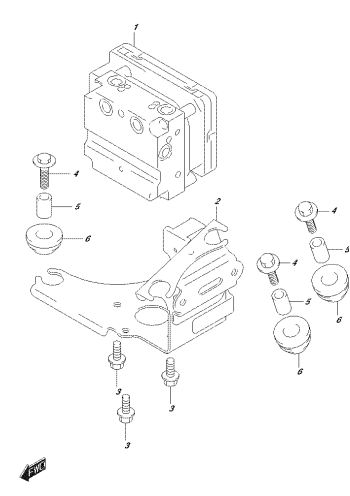
EX. 10209PARAL_EPI_S204
FRONT WHEEL

FIG. 530B



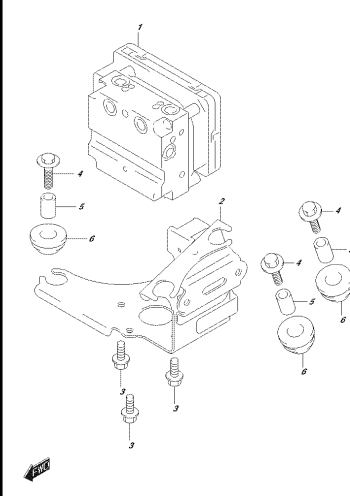
EX. 10209PARAL_EPI_S209
FRONT WHEEL

FIG. 533A



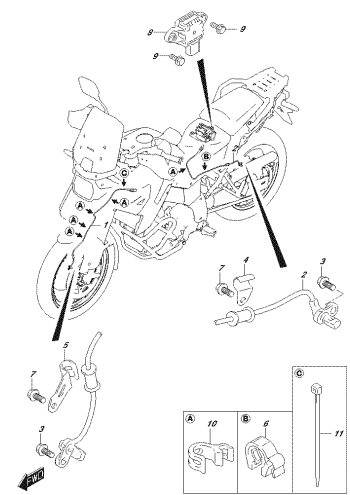
EX. 10209PARAL_EPI_S204
HYDRAULIC CALIP

FIG. 533B



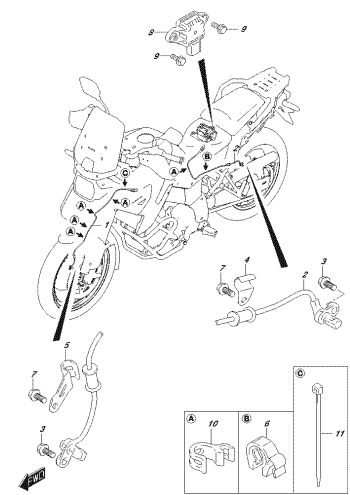
EX. 10209PARAL_EPI_S209
HYDRAULIC CALIP

FIG. 534A



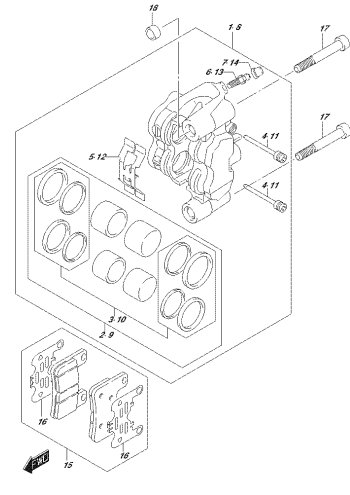
EX. 10209PARAL_EPI_S204
STOP ELECTRICAL

FIG. 534B



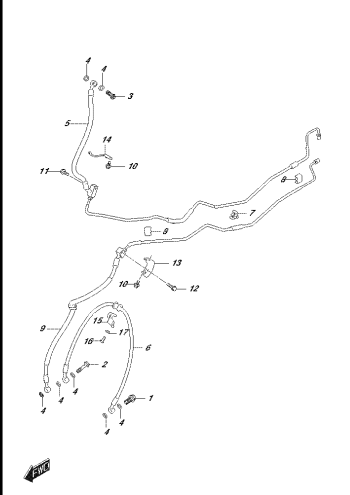
EX. 10209PARAL_EPI_S209
STOP ELECTRICAL

FIG. 535A



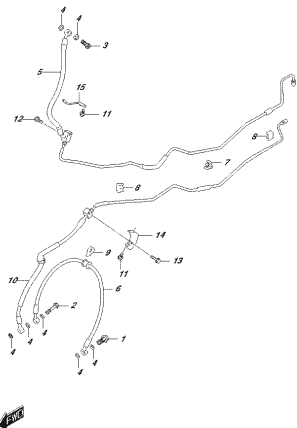
EX. 10209PARAL_EPI_S204
FRONT CALIPER

FIG. 536A



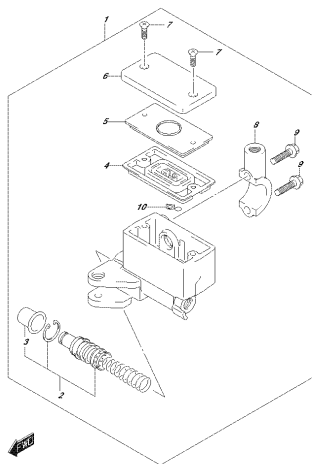
EX. 10209PARAL_EPI_S204
FRONT BRAKE HOSE

FIG.536B



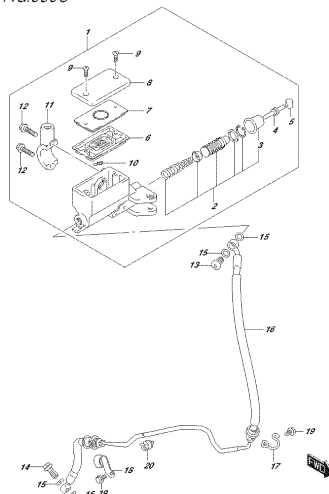
EL 100PRAM1_E51_S109
FRONT SWAYBAR SIDE

FIG.537B



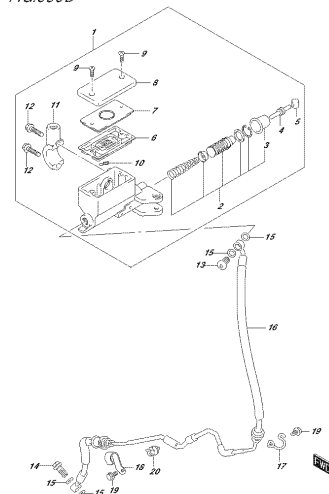
EL 100PRAM1_E51_S109
FRONT SWAYBAR CENTER

FIG.539C



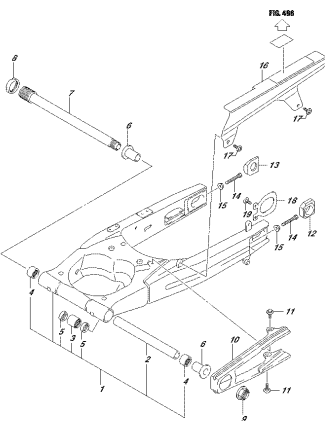
EL 100PRAM1_E51_S109
REAR SWAYBAR CENTER

FIG.539D



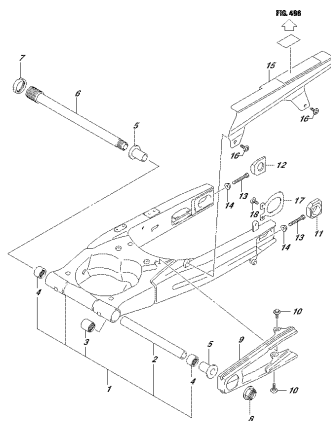
EL 100PRAM1_E51_S109
REAR SWAYBAR LAMBI

FIG.541A



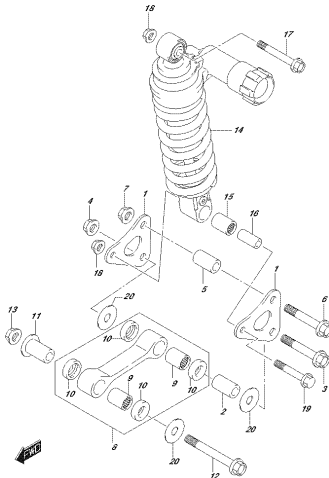
EL 100PRAM1_E51_S414
REAR SWAYBAR CENTER

FIG.541B



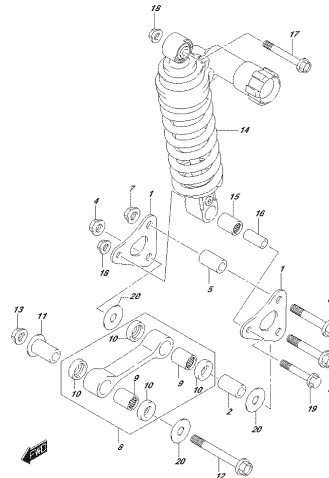
EL 100PRAM1_E51_S419
REAR SWAYBAR CENTER

FIG.543A



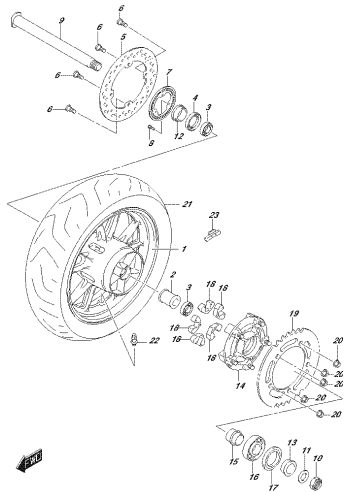
EL 100PRAM1_E51_S434
REAR SWAYBAR CENTER

FIG.543C



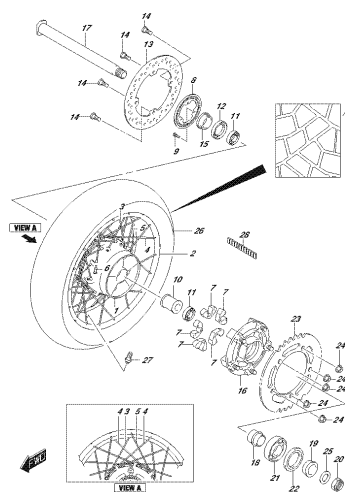
EL 100PRAM1_E51_S43C
REAR SWAYBAR CENTER

FIG.550A



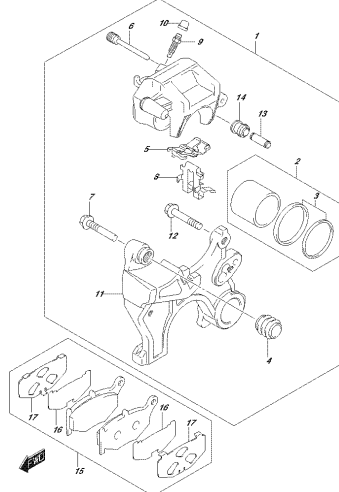
EX.1000PRM1L_EST_550A
REAR WHEEL SET

FIG.550B



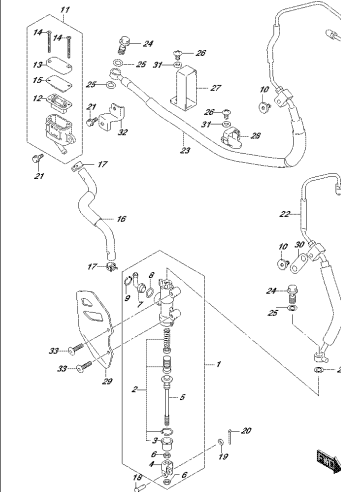
EX.1000PRM1L_EST_550B
REAR WHEEL SET

FIG.555A



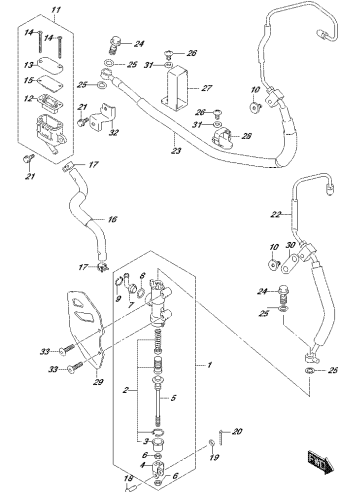
EX.1000PRM1L_EST_555A
REAR MASTER CYLINDER

FIG.558A



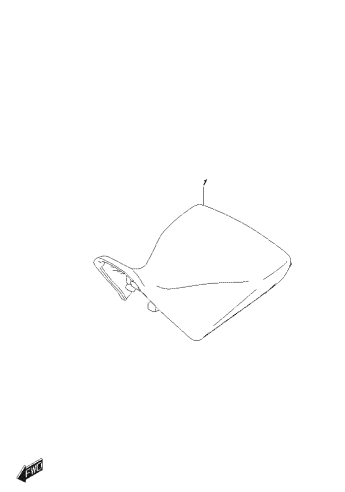
EX.1000PRM1L_EST_558A
REAR MASTER CYLINDER

FIG.558B



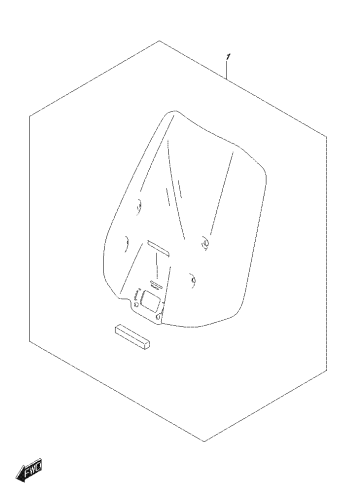
EX.1000PRM1L_EST_558B
REAR MASTER CYLINDER

FIG.970A



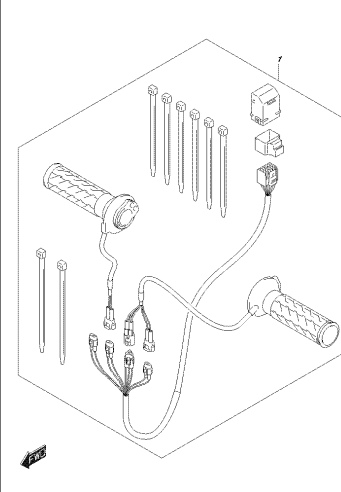
EX.1000PRM1L_EST_970A
OPTICAL

FIG.970B



EX.1000PRM1L_EST_970B
OPTICAL

FIG.970C



EX.1000PRM1L_EST_970C
OPTICAL

FIG.101A

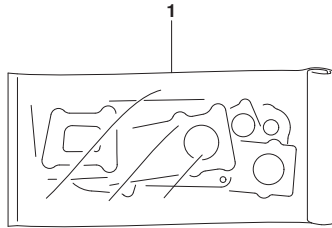


FIG.101A (1-B-2) GASKET SET

REF NO.	PART NO.	DESCRIPTION	Q'TY	REMARKS
1	11401-31850	GASKET SET	1	OPT
2	11141-31J00	.GASKET,CYLINDER HEAD	2	NOT ILLUSTRATED
3	11173-02F00	.GASKET,CYL HEAD COVER NO.1	2	NOT ILLUSTRATED
4	11178-17E00	.GASKET,CYL HEAD COVER NO.2	2	NOT ILLUSTRATED
5	11182-35F10	.GASKET,2ND AIR PASSAGE	2	NOT ILLUSTRATED
6	11241-31J00	.GASKET,CYLINDER FRONT	1	NOT ILLUSTRATED
7	11242-06L00	.GASKET,CYLINDER REAR	1	NOT ILLUSTRATED
8	11482-06G10	.GASKET,CLUTCH COVER	1	NOT ILLUSTRATED
9	11483-02F10	.GASKET,MAGNETO COVER	1	NOT ILLUSTRATED
10	11485-02F10	.GASKET,GEAR SHIFT COVER	1	NOT ILLUSTRATED
11	12837-19B10	.GASKET,TENSIONER ADJUSTER	1	NOT ILLUSTRATED
12	12837-24A10	.GASKET,TENSIONER ADJUSTER	1	NOT ILLUSTRATED
13	14181-31D00	.GASKET,EXH PIPE	2	NOT ILLUSTRATED
14	17435-02F00	.O RING,WATER PUMP CASE	1	NOT ILLUSTRATED
15	09280-33004	.O-RING (D:3.1,ID:32.7)	1	NOT ILLUSTRATED

FIG.104A

FIG.104A (1-B-3) CYLINDER HEAD (FRONT) (DL1050RJ)

REF NO.	PART NO.	DESCRIPTION	Q'TY	REMARKS
1	11100-31J20	HEAD ASSY,CYLINDER FRONT	1	
2	09206-08001	.PIN (8X11)	4	
3	09103-06266	.BOLT (6X40)	8	
4	11115-32E70	GUIDE, VALVE (OS:0.3)	8	
5	11141-31J00	GASKET,CYLINDER HEAD	1	
6	04211-13189	PIN (10.4X13X18)	2	
7	09108-08143	BOLT,STUD (L:35)	1	
8	08316-1008B	NUT	1	
9	11117-33H00	BOLT,CYLINDER HEAD,L165 (10X16 5)	4	
10	09108-06096	BOLT,STUD (6X30)	2	
11	08316-1006B	NUT	2	
12	01550-0612A	BOLT	1	
13	09168-06023	GASKET (5.8X13X1.2)	1	
14	09103-06220	BOLT (6X60)	2	
15	09482-00635	PLUG,SPARK (LMAR8BI-9)	4	
16	13101-06L00	PIPE ASSY,INTAKE FRONT	1	
17	09280-55005	.O-RING (D:2.4,ID:55.6)	1	
18	02122-0616B	SCREW	4	
19	13826-22H00	CLAMP	2	
20	11171-06L00	COVER,CYLINDER HEAD FRONT	1	
21	11173-02F00	GASKET,CYL HEAD COVER NO.1	2	
22	11178-17E00	GASKET,CYL HEAD COVER NO.2	2	
23	09106-07021	BOLT (7X17.5)	8	
24	11191-27E00	WASHER,CYL HEAD COVER (L:5.5)	8	
25	01550-1085B	BOLT,ENG MTG HEAD FRONT RH	1	
26	09103-10475	BOLT,ENG MTG HEAD FRONT LH	1	
27	11134-31J10	COVER,CYL HEAD NO.2	2	
28	09106-06075	BOLT (6X12)	4	
29	09280-19005	O-RING (D:2.4,ID:19)	2	
30	11182-35F10	GASKET,2ND AIR PASSAGE	2	
31	09206-10016	PIN (8.2X10X13)	2	

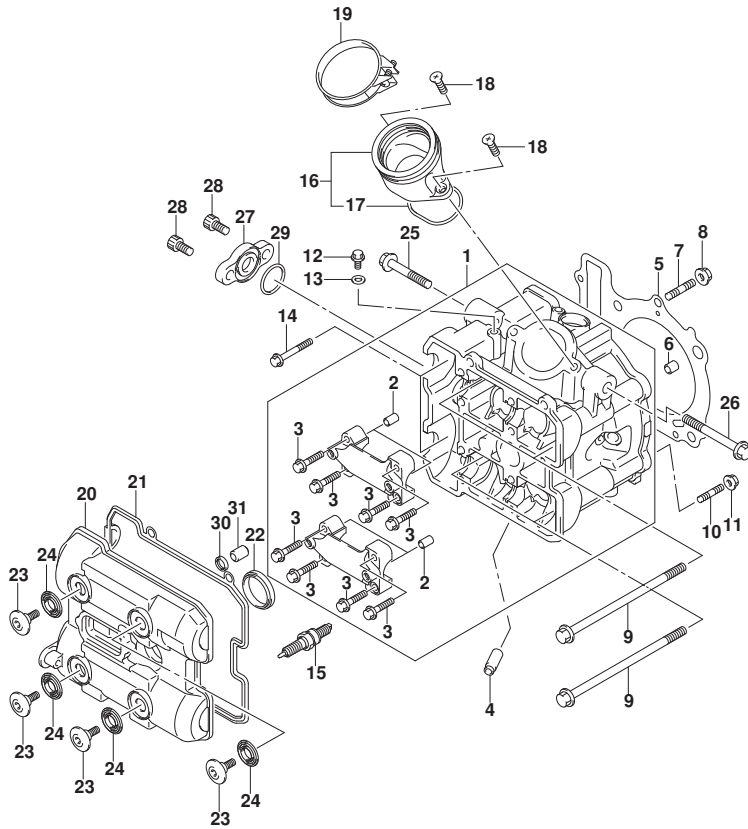


FIG.104B

FIG.104B (1-B-4) CYLINDER HEAD (FRONT) (DL1050RR)

REF NO.	PART NO.	DESCRIPTION	Q'TY	REMARKS
1	11100-31J20	HEAD ASSY,CYLINDER FRONT	1	
2	09206-08001	.PIN (8X11)	4	
3	09103-06266	.BOLT (6X40)	8	
4	11115-32E70	GUIDE, VALVE (OS:0.3)	8	
5	11141-31J00	GASKET,CYLINDER HEAD	1	
6	04211-13189	PIN (10.4X13X18)	2	
7	09108-08143	BOLT,STUD (L:35)	1	
8	08316-1008B	NUT	1	
9	11117-33H00	BOLT,CYLINDER HEAD,L165 (10X165)	4	
10	09108-06096	BOLT,STUD (6X30)	2	
11	08316-1006B	NUT	2	
12	01550-0612A	BOLT	1	
13	09168-06023	GASKET (5.8X13X1.2)	1	
14	09103-06220	BOLT (6X60)	2	
15	09482-00635	PLUG,SPARK (LMAR8BI-9)	4	
16	13101-06L00	PIPE ASSY,INTAKE FRONT	1	
17	09280-55005	.O-RING (D:2.4,ID:55.6)	1	
18	02122-0616B	SCREW	4	
19	13826-22H00	CLAMP	2	
20	11171-06L00	COVER,CYLINDER HEAD FRONT	1	
21	11173-02F00	GASKET,CYL HEAD COVER NO.1	2	
22	11178-17E00	GASKET,CYL HEAD COVER NO.2	2	
23	09106-07021	BOLT (7X17.5)	8	
24	11191-27E00	WASHER,CYL HEAD COVER (L:5.5)	8	
25	01550-1050A	BOLT	1	
26	01550-1070A	BOLT	1	
27	11134-31J10	COVER,CYL HEAD NO.2	2	
28	09106-06075	BOLT (6X12)	4	
29	09280-19005	O-RING (D:2.4,ID:19)	2	
30	11182-35F10	GASKET,2ND AIR PASSAGE	2	
31	09206-10016	PIN (8.2X10X13)	2	

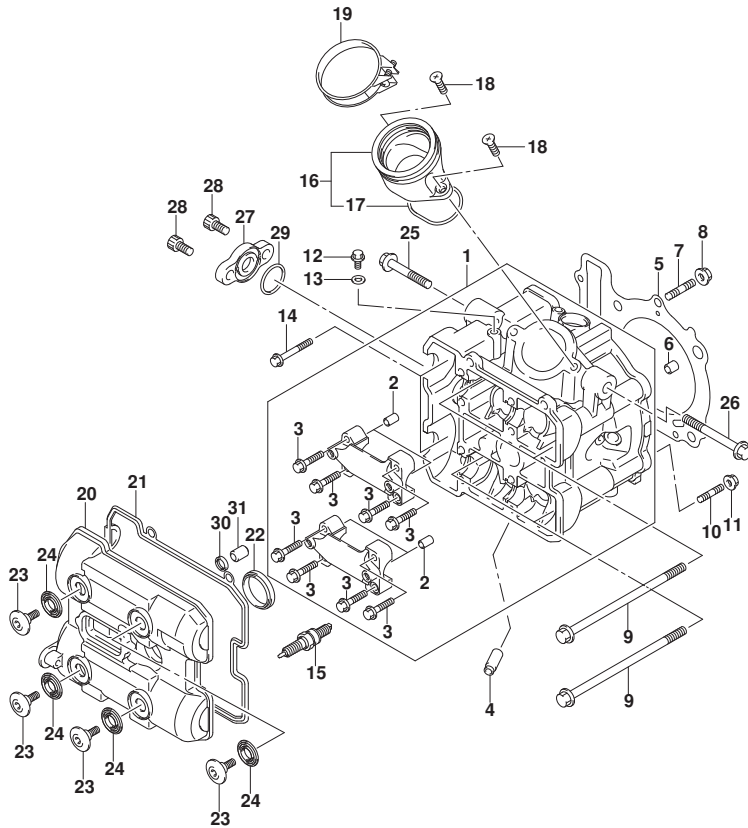


FIG.105A

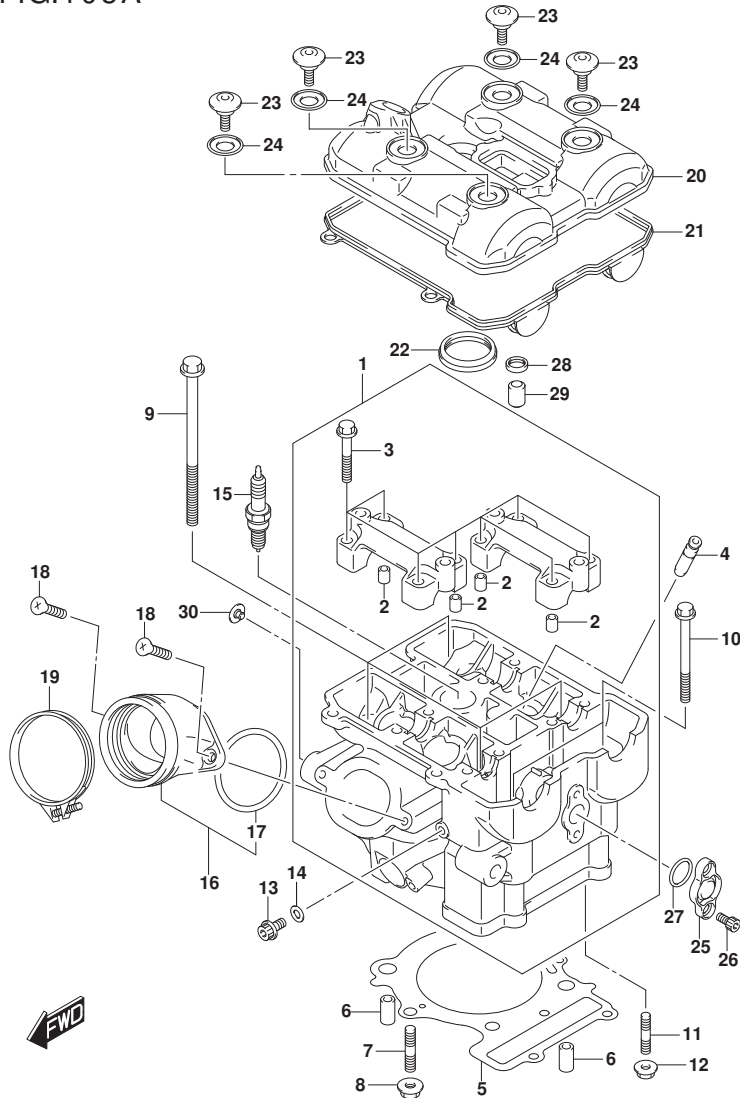


FIG.105A (1-B-5) CYLINDER HEAD (REAR)

REF NO.	PART NO.	DESCRIPTION	Q'TY	REMARKS
1	11100-31J10	HEAD ASSY,CYLINDER	1	
2	09206-08001	.PIN (8X11)	4	
3	09103-06266	.BOLT (6X40)	8	
4	11115-32E70	GUIDE, VALVE (OS:0.3)	8	
5	11141-31J00	GASKET,CYLINDER HEAD	1	
6	04211-13189	PIN (10.4X13X18)	2	
7	09108-08143	BOLT,STUD (L:35)	1	
8	08316-1008B	NUT	1	
9	11117-33H00	BOLT,CYLINDER HEAD,L165 (10X165)	4	
10	09103-06220	BOLT (6X60)	2	
11	09108-06096	BOLT,STUD (6X30)	2	
12	08316-1006B	NUT	2	
13	01550-0612A	BOLT	1	
14	09168-06023	GASKET (5.8X13X1.2)	1	
15	09482-00635	PLUG,SPARK (LMAR8BI-9)	4	
16	13102-06L00	PIPE ASSY,INTAKE REAR	1	
17	09280-55005	.O-RING (D:2.4,ID:55.6)	1	
18	02122-0616B	SCREW	4	
19	13826-22H00	CLAMP	2	
20	11172-31J10	COVER,CYLINDER HEAD REAR	1	
21	11173-02F00	GASKET,CYL HEAD COVER NO.1	2	
22	11178-17E00	GASKET,CYL HEAD COVER NO.2	2	
23	09106-07021	BOLT (7X17.5)	8	
24	11191-27E00	WASHER,CYL HEAD COVER (L:5.5)	8	
25	11134-31J10	COVER,CYL HEAD NO.2	2	
26	09106-06075	BOLT (6X12)	4	
27	09280-19005	O-RING (D:2.4,ID:19)	2	
28	11182-35F10	GASKET,2ND AIR PASSAGE	2	
29	09206-10016	PIN (8.2X10X13)	2	
30	11151-27G01	CAP,ENGINE MOUNTING RR RH	1	

FIG.107A

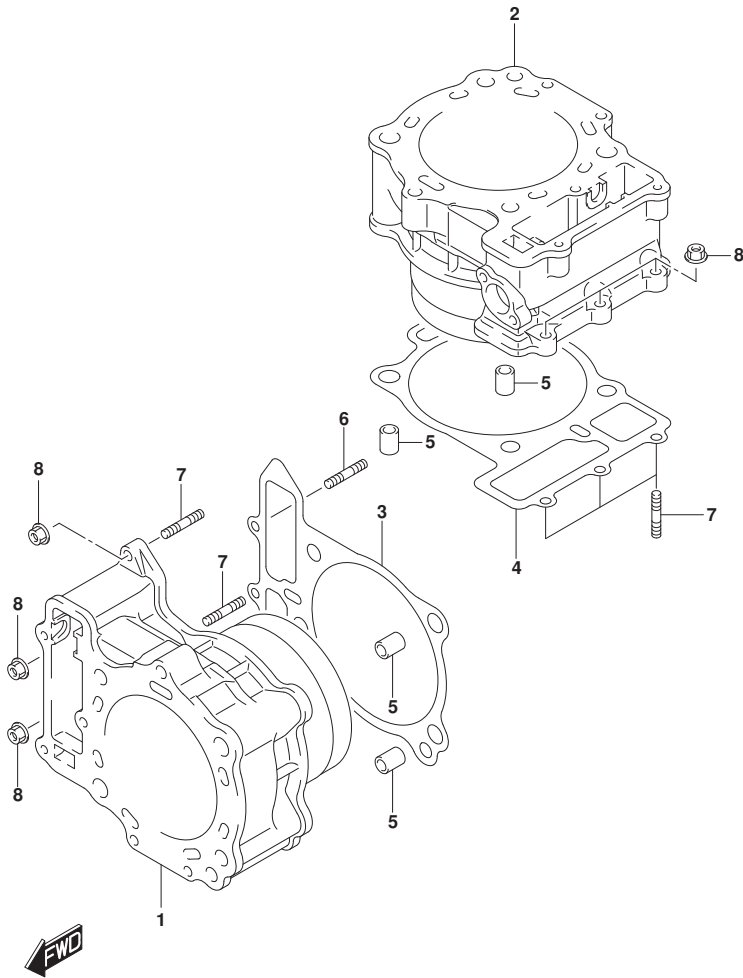


FIG.107A (1-B-6) CYLINDER

REF NO.	PART NO.	DESCRIPTION	Q'TY	REMARKS
1	11211-31J10-0F0	CYLINDER,FRONT	1	
2	11221-31J10-0F0	CYLINDER,REAR	1	
3	11241-31J00	GASKET,CYLINDER FRONT	1	
4	11242-06L00	GASKET,CYLINDER REAR	1	
5	04211-13189	PIN (10.4X13X18)	4	
6	09108-06124	BOLT,STUD (L:20)	1	
7	01421-0620A	BOLT,STUD	5	
8	08316-1006B	NUT	6	

FIG.108A

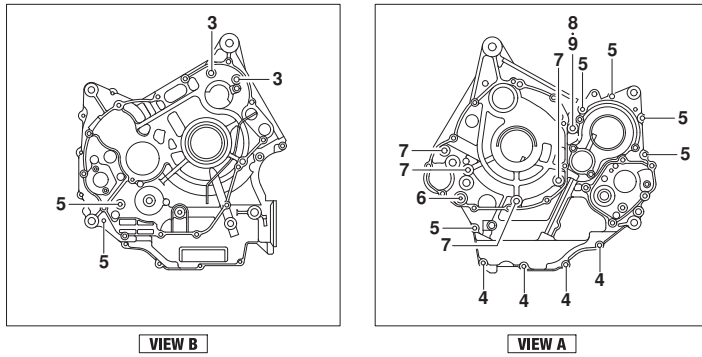


FIG.108A (1-B-7) CRANKCASE

REF NO.	PART NO.	DESCRIPTION	QTY	REMARKS
1	11306-06850	CRANKCASE SET	1	
2	11319-33E00	.PIN,CRANKCASE	2	
3	09106-08142	.BOLT (8X110)	2	
4	01547-0630A	.BOLT	4	
5	01547-0670A	.BOLT	7	
6	01547-0685A	.BOLT	1	
7	07120-0890A	.BOLT	4	
8	09106-08136	.BOLT (8X125)	1	
9	08322-0108A	.WASHER	1	

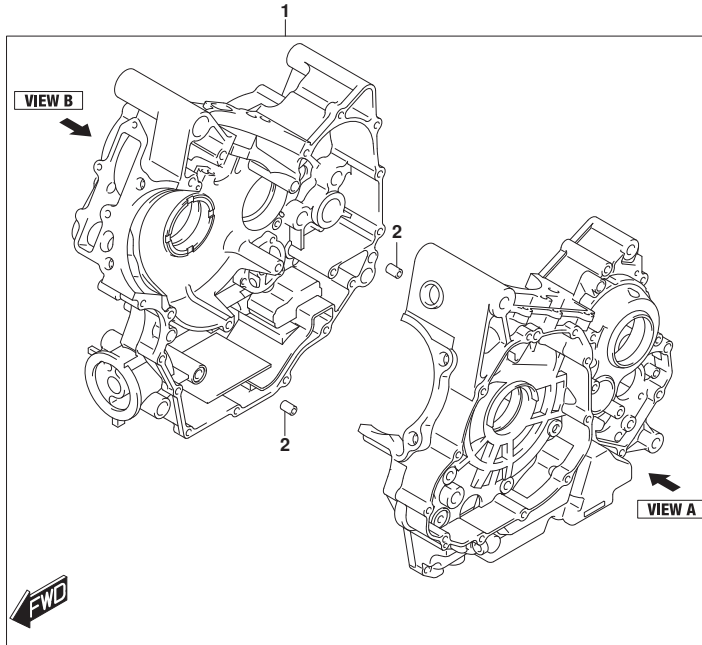


FIG.109A

FIG.109A (1-B-8) CRANKCASE (DL1050RJ)

REF NO.	PART NO.	DESCRIPTION	Q'TY	REMARKS
1	09493-28010	JET AIR (#14)	2	
2	09280-04004	O-RING (D:1.2,ID:4)	2	
3	09280-13007	O RING (D:1.9,ID:12.5)	1	
4	09493-20014	JET,T/M OIL GALLERY	1	
5	09280-04004	O-RING (D:1.2,ID:4)	1	
6	09106-06075	BOLT (6X12)	2	
7	09280-05007	O-RING (D:1.2,ID:4.7)	2	
8	11390-06G10	JET,PISTON COOLING	2	
9	09168-08016	GASKET (8.2X14X1)	4	
10	01550-0812A	BOLT	4	
11	09168-16002	GASKET (16X22X2)	1	
12	09248-16012	PLUG (16X8)	1	
13	09168-14002	GASKET (13.8X18.8X4.8)	1	OIL DRAIN
14	09247-14036	PLUG (14X20)	1	OIL DRAIN
15	09103-12141	BOLT,ENG MTG	1	
16	09159-12081	NUT	1	
17	09103-10205	BOLT (10X225)	1	
18	09103-10226	BOLT (10X260)	1	
19	08319-3110A	NUT	1	
20	37820-33D11	SWITCH ASSY,OIL PRESSURE	1	
21	37822-33D00	.BOLT,OIL PRESSURE SWITCH	1	
22	11611-06L00	CAP,ENG MTG NUT	1	

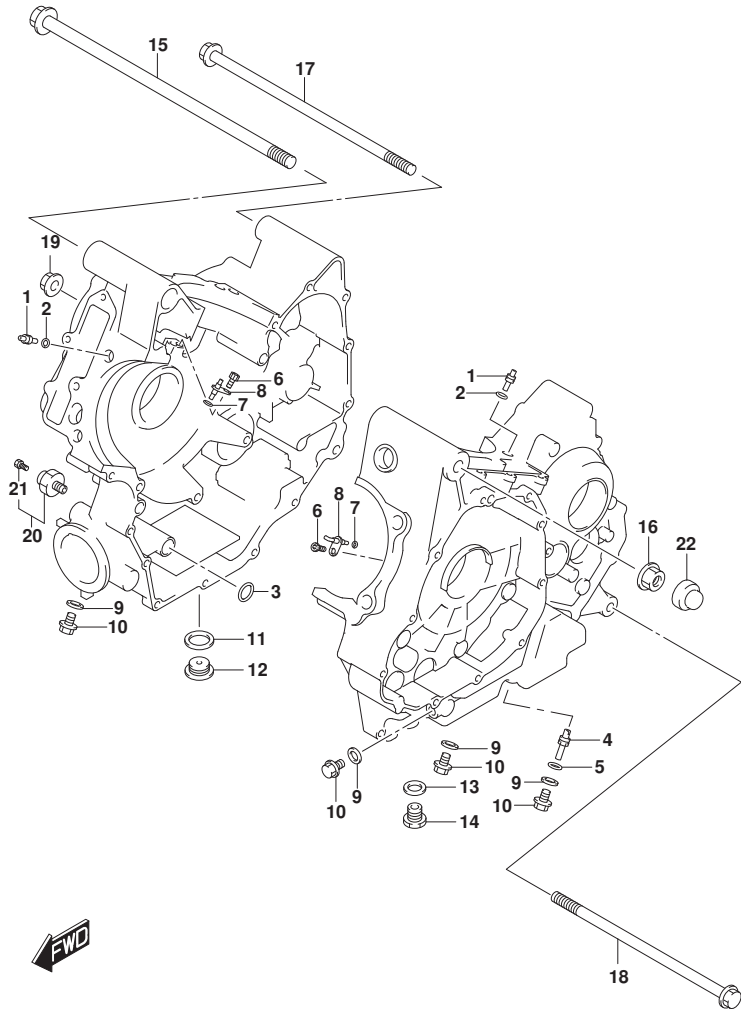


FIG.109B

FIG.109B (1-B-9) CRANKCASE (2) (DL1050RR)

REF NO.	PART NO.	DESCRIPTION	Q'TY	REMARKS
1	09493-28010	JET AIR (#14)	2	
2	09280-04004	O-RING (D:1.2,ID:4)	2	
3	09280-13007	O RING (D:1.9,ID:12.5)	1	
4	09493-20014	JET,T/M OIL GALLERY	1	
5	09280-04004	O-RING (D:1.2,ID:4)	1	
6	09106-06075	BOLT (6X12)	2	
7	09280-05007	O-RING (D:1.2,ID:4.7)	2	
8	11390-06G10	JET,PISTON COOLING	2	
9	09168-08016	GASKET (8.2X14X1)	4	
10	01550-0812A	BOLT	4	
11	09168-16002	GASKET (16X22X2)	1	
12	09248-16012	PLUG (16X8)	1	
13	09168-14002	GASKET (13.8X18.8X4.8)	1	OIL DRAIN
14	09247-14036	PLUG (14X20)	1	OIL DRAIN
15	09103-12016	BOLT (12X300)	1	
16	09159-12056	NUT	1	
17	09103-10205	BOLT (10X225)	1	
18	09103-10226	BOLT (10X260)	1	
19	08319-3110A	NUT	1	
20	37820-33D11	SWITCH ASSY,OIL PRESSURE	1	
21	37822-33D00	.BOLT,OIL PRESSURE SWITCH	1	
22	11611-06L00	CAP,ENG MTG NUT	1	

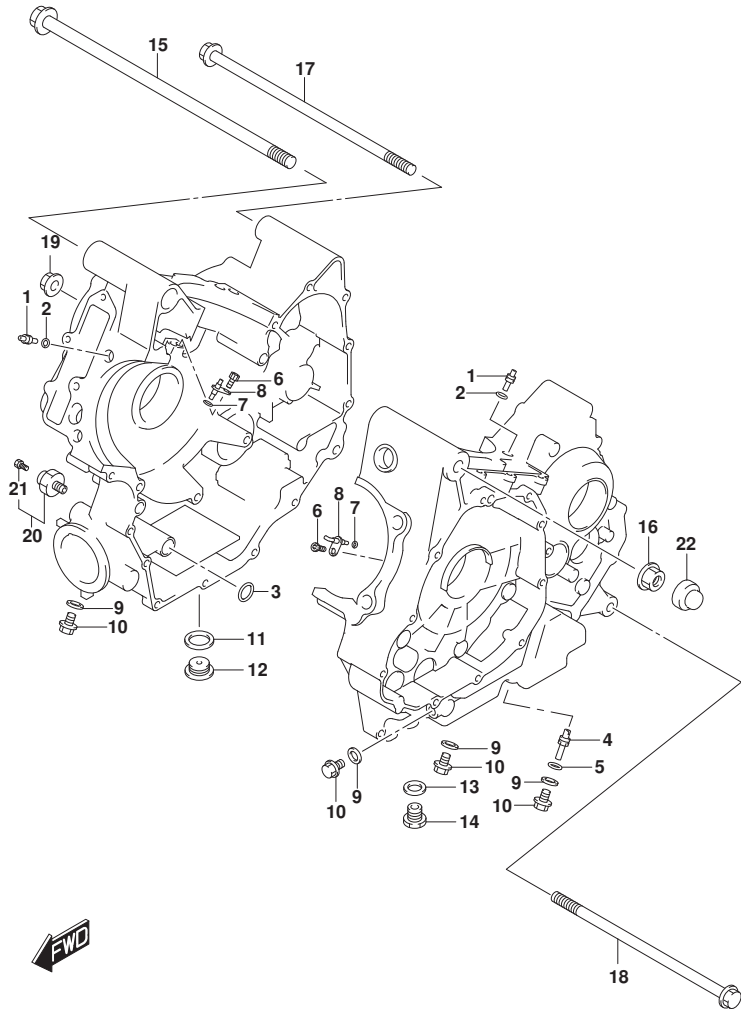


FIG.112A

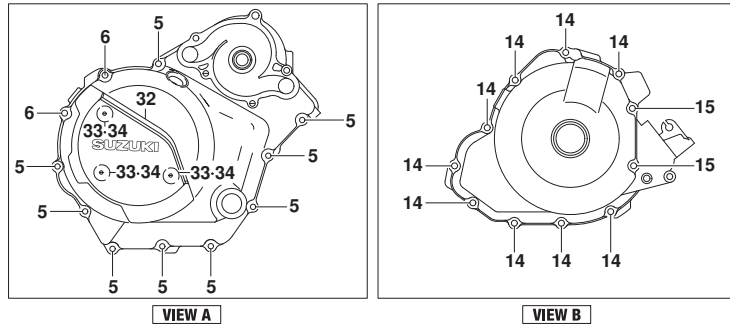


FIG.112A (1-B-10) CRANKCASE COVER

REF NO.	PART NO.	DESCRIPTION	Q'TY	REMARKS
1	11340-06L00	COVER,CLUTCH	1	
2	11971-33210	.LENS,OIL LEVEL CHECK	1	
3	11482-06G10	GASKET,CLUTCH COVER	1	
4	04211-09149	PIN (8.5X18X2.3)	2	
5	09103-06529	BOLT (6X30)	9	
6	09103-06538	BOLT,CLUTCH COVER (6X75)	2	
7	11342-06G00	SEPARATOR,OIL	1	
8	02112-0612A	SCREW	4	
9	01550-0610A	BOLT	1	
10	09168-06026	GASKET (6.4X11.5X0.84)	1	
11	11351-31J20	COVER,MAGNETO	1	
12	11483-02F10	GASKET,MAGNETO COVER	1	
13	04211-09149	PIN (8.5X18X2.3)	1	
14	09103-06530	BOLT (L:35)	9	
15	09103-06539	BOLT (6X80)	2	
16	09259-36021	PLUG (36X10)	1	
17	09280-33004	O-RING (D:3.1,ID:32.7)	1	
18	09248-14010	PLUG (L:12)	1	
19	09168-14002	GASKET (13.8X18.8X4.8)	1	
20	11360-06L00	COVER,ENG SPROCKET	1	
21	09103-06526	BOLT,CONNECTOR (6X16)	1	
22	09103-06529	BOLT (6X30)	1	
23	09103-06535	BOLT (6X60)	1	
24	11381-06L00	COVER,GEAR SHIFT	1	
25	11485-02F10	GASKET,GEAR SHIFT COVER	1	
26	09103-06314	BOLT (6X105)	1	
27	01547-0625A	BOLT	2	
28	01547-0635A	BOLT	2	
29	04211-09149	PIN (8.5X18X2.3)	2	
30	09259-20008-XC0	PLUG	1	
31	09280-17003	O-RING (D:3.1,ID:16.8)	1	
32	11383-06L00	PROTECTOR,CLUTCH COVER	1	
33	09139-05098	BOLT,CLUTCH COVER PROTECTOR	3	
34	09280-08012	O-RING (D:1.9,ID:7.8)	3	

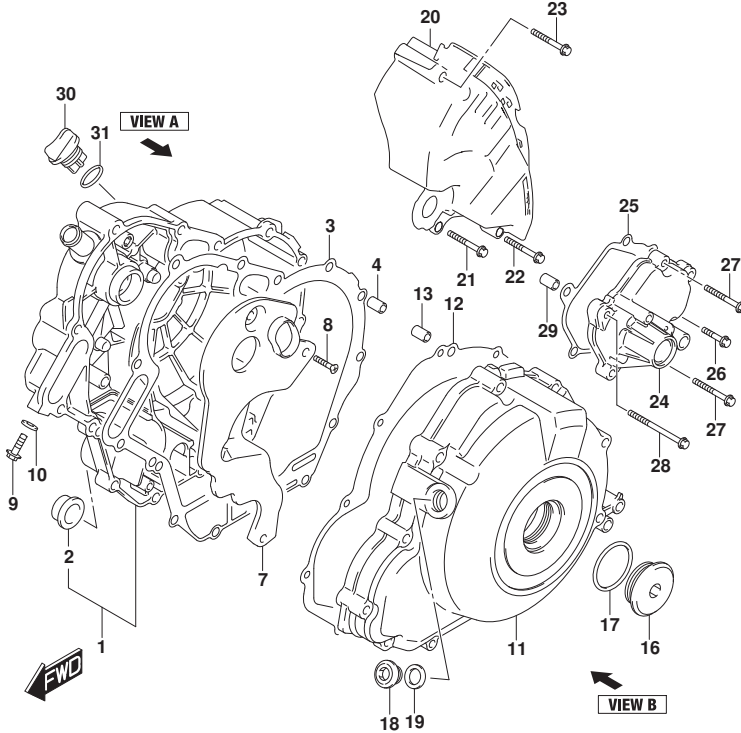


FIG.120A

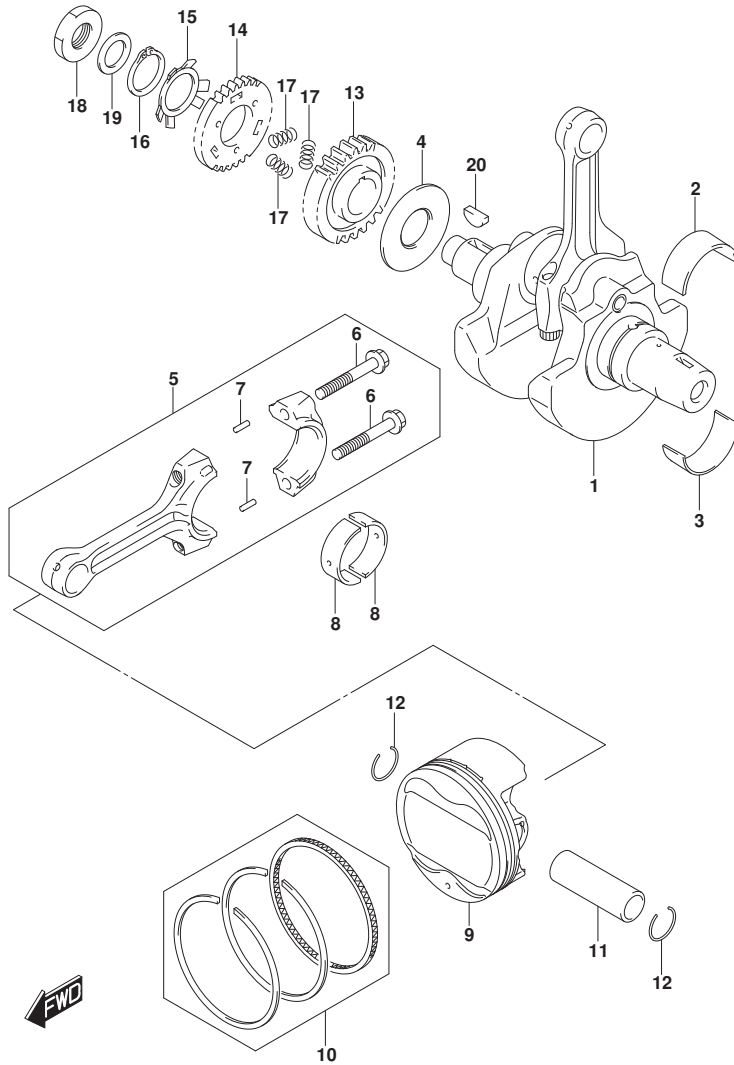


FIG.120A (1-B-11) CRANKSHAFT

REF NO.	PART NO.	DESCRIPTION	Q'TY	REMARKS
1	12220-31J00	CRANKSHAFT	1	
2-1	12229-31J00-0A0	BEARING, CRANKSHAFT	2	
2-2	12229-31J00-0B0	BEARING, CRANKSHAFT	2	
2-3	12229-31J00-0C0	BEARING, CRANKSHAFT	2	
3-1	12229-06L00-0A0	BEARING, CRANKSHAFT	2	
3-2	12229-06L00-0B0	BEARING, CRANKSHAFT	2	
3-3	12229-06L00-0C0	BEARING, CRANKSHAFT	2	
4	12652-38B00	WASHER, CRANK THRUST	1	
5	12160-06G10	CONNECTING ROD ASSY	2	
6	12163-06G00	.BOLT, CONNROD	4	
7	12165-27A50	.PIN, CONNROD	4	
8-1	12164-31J00-0A0	BEARING, CRANK PIN	4	
8-2	12164-31J00-0B0	BEARING, CRANK PIN	4	
8-3	12164-31J00-0C0	BEARING, CRANK PIN	4	
8-4	12164-31J00-0D0	BEARING, CRANK PIN	4	
9	12111-31J10-0F0	PISTON	2	
10	12140-31J00	RING SET, PISTON	2	
11	12151-02F10	PIN, PISTON	2	
12	09381-22002	CIRCLIP	4	
13	21111-02F11	GEAR, PRI DRIVE (NT:31)	1	
14	21112-02F00	GEAR, PRI DRIVE SCISSORS (NT:31)	1	
15	21114-02F00	WASHER, PRI DRIVE	1	
16	08331-31409	CIRCLIP	1	
17	09440-07001	SPRING	3	
18	09140-22012	NUT	1	
19	09164-22007	WASHER (22.2X35X2(3))	1	
20	09420-06001	KEY	1	

FIG.122A

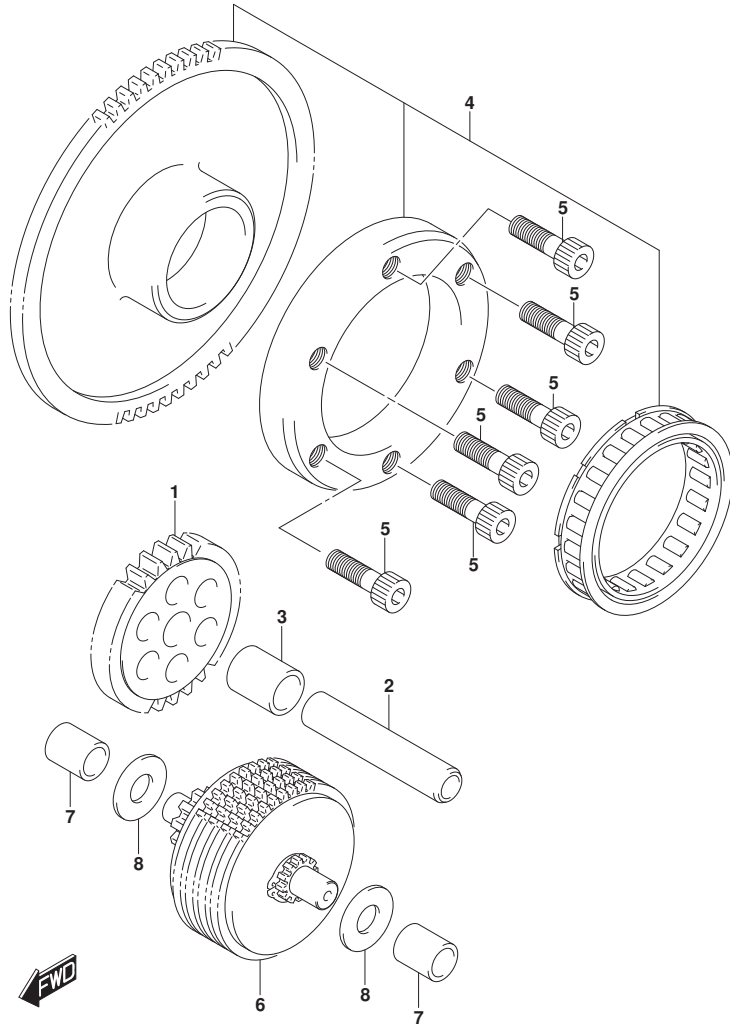


FIG.122A (1-B-12) STARTER CLUTCH

REF NO.	PART NO.	DESCRIPTION	Q'TY	REMARKS
1	12612-06G00	GEAR,STARTER IDLE NO.2 (NT:27)	1	
2	09206-12002	PIN (7X12X50.5)	1	
3	09180-12140	SPACER (12.5X19X17.5)	1	
4	12600-06811	CLUTCH SET,STARTER (NT:72)	1	
5	09106-08106	BOLT (8X20)	6	
6	12600-06G01	LIMITER ASSY,START ID GR NO.1 (NT:44)	1	
7	12618-31G00	BUSH,LIMITER GEAR SHAFT	2	
8	09181-10195	SHIM (10X20X1)	2	

FIG.126A

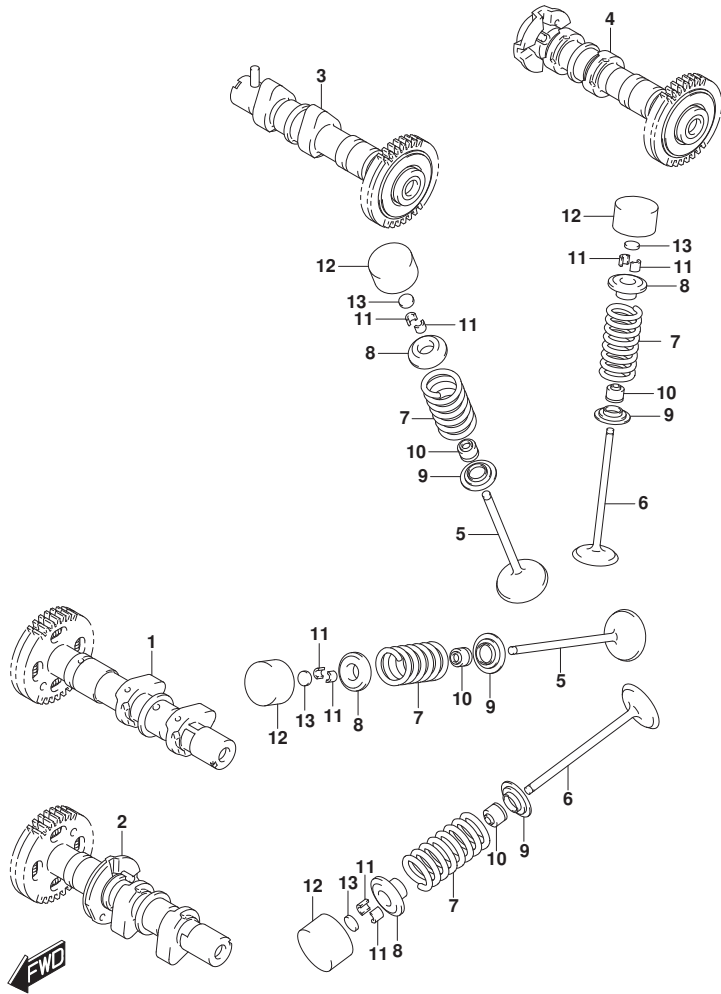


FIG.126A (1-B-13) CAMSHAFT/VALVE

REF NO.	PART NO.	DESCRIPTION	Q'TY	REMARKS
1	12701-06L00	CAMSHAFT ASSY,INTAKE FRONT	1	
2	12702-06L00	CAMSHAFT ASSY,EXHAUST FRONT	1	
3	12703-06L00	CAMSHAFT ASSY,INTAKE REAR	1	
4	12704-06L00	CAMSHAFT ASSY,EXHAUST REAR	1	
5	12911-16G00	VALVE,INTAKE	4	
6	12912-06L00	VALVE,EXHAUST	4	
7	12921-06G00	SPRING,VALVE	8	
8	12931-06G00	RETAINER,VALVE SPRING	8	
9	12933-06G00	SEAT,VALVE SPRING	8	
10	09289-05015	OIL SEAL (5.5X11X8.2)	8	
11	12932-24400	COTTER,VALVE	16	
12	12891-02F10	TAPPET	8	
13-1	12892-41C00-230	SHIM,TAPPET (T:2.30)	8	
13-2	12892-41C00-235	SHIM,TAPPET (T:2.35)	8	
13-3	12892-41C00-240	SHIM,TAPPET (T:2.40)	8	
13-4	12892-41C00-245	SHIM,TAPPET (T:2.45)	8	
13-5	12892-41C00-250	SHIM,TAPPET (T:2.50)	8	
13-6	12892-41C00-255	SHIM,TAPPET (T:2.55)	8	
13-7	12892-41C00-260	SHIM,TAPPET (T:2.60)	8	
13-8	12892-41C00-265	SHIM,TAPPET (T:2.65)	8	
13-9	12892-41C00-270	SHIM,TAPPET (T:2.70)	8	
13-10	12892-41C00-275	SHIM,TAPPET (T:2.75)	8	
13-11	12892-41C00-280	SHIM,TAPPET (T:2.80)	8	
13-12	12892-41C00-285	SHIM,TAPPET (T:2.85)	8	
13-13	12892-41C00-290	SHIM,TAPPET (T:2.90)	8	
13-14	12892-41C00-295	SHIM,TAPPET (T:2.95)	8	
13-15	12892-41C00-300	SHIM,TAPPET (T:3.00)	8	
13-16	12892-41C00-305	SHIM,TAPPET (T:3.05)	8	
13-17	12892-41C00-310	SHIM,TAPPET (T:3.10)	8	
13-18	12892-41C00-315	SHIM,TAPPET (T:3.15)	8	
13-19	12892-41C00-320	SHIM,TAPPET (T:3.20)	8	
13-20	12892-41C00-325	SHIM,TAPPET (T:3.25)	8	
13-21	12892-41C00-330	SHIM,TAPPET (T:3.30)	8	
13-22	12892-41C00-335	SHIM,TAPPET (T:3.35)	8	
13-23	12892-41C00-340	SHIM,TAPPET (T:3.40)	8	

FIG.126A

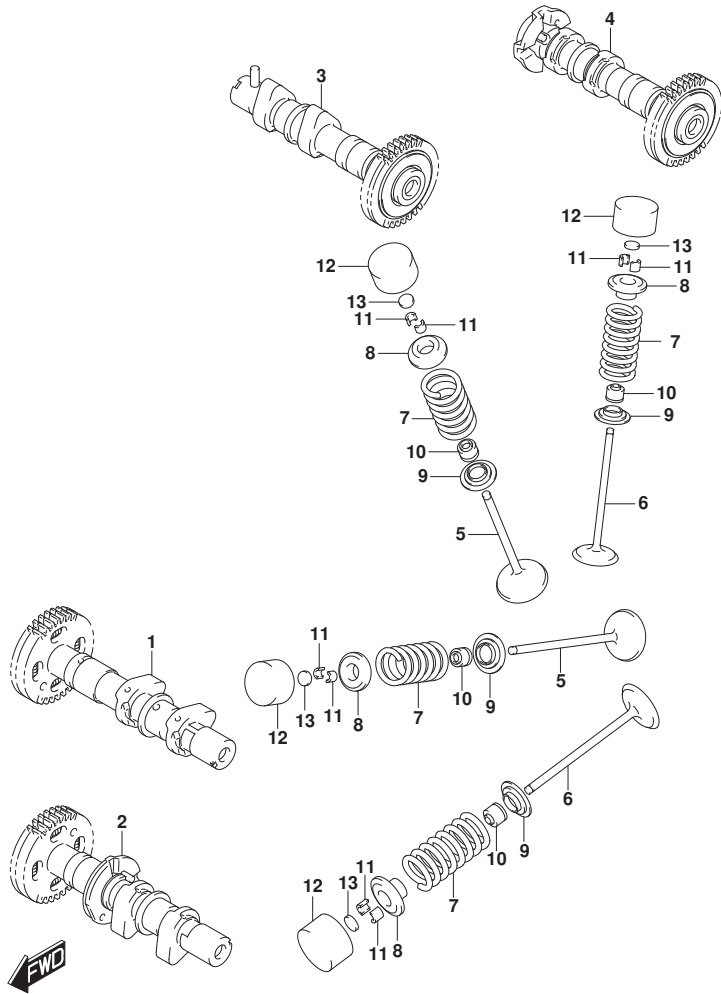


FIG.126A (1-B-14) CAMSHAFT/VALVE

REF NO.	PART NO.	DESCRIPTION	Q'TY	REMARKS
13-24	12892-41C00-345	SHIM,TAPPET (T:3.45)	8	
13-25	12892-41C00-350	SHIM,TAPPET (T:3.50)	8	
14	12800-41810	SHIM SET,TAPPET (5PCS.EACH)	1	OPT,NOT ILLUSTRATED
15	99000-69471	.CASE,TAPPET SHIM	1	OPT,NOT ILLUSTRATED

FIG.127A

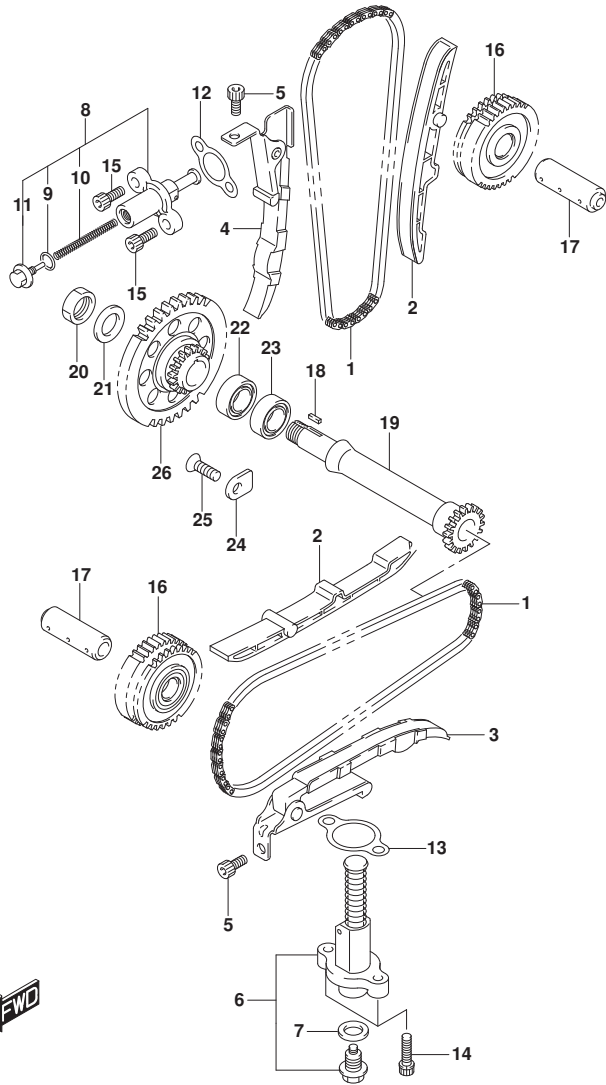


FIG.127A (1-B-15) CAM CHAIN

REF NO.	PART NO.	DESCRIPTION	Q'TY	REMARKS
1	12760-23F20	CHAIN,CAMSHAFT DRIVE	2	
2	12771-06G00	GUIDE,CAM CHAIN	2	
3	12810-06G00	TENSIONER,CAM CHAIN FR	1	
4	12815-06G00	TENSIONER,CAM CHAIN,REAR	1	
5	07120-0612A	BOLT	2	
6	12832-06L00	ADJUSTER ASSY,TENSIONER FRONT	1	
7	09168-12018	.GASKET (12X21X2)	1	
8	12830-30A01	ADJUSTER ASSY,TENSIONER	1	
9	12832-02A00	.O RING	1	
10	12833-30A01	.SPRING	1	
11	12834-02A00	.PLUG,ADJUSTER	1	
12	12837-19B10	GASKET,TENSIONER ADJUSTER	1	
13	12837-24A10	GASKET,TENSIONER ADJUSTER	1	
14	07130-0625A	BOLT	2	
15	07130-0620B	BOLT	2	
16	12750-31J10	GEAR,CAM CHAIN IDLER NO.2 (NT: 31/41)	2	
17	12755-31J00	SHAFT,IDLER NO.2	2	
18	09421-04012	KEY	1	
19	12716-06G00	SHAFT,IDLER	1	
20	09140-16001	NUT	1	
21	09181-16212	SHIM (16X26X1.5)	1	
22	08112-6303A	BEARING	1	
23	09262-25006	BEARING (25X47X8)	1	
24	24741-20A00	RETAINER	1	
25	09126-06011	SCREW (6X12)	1	
26	12731-06G01	SPROCKET,IDLER NO.1 (NT:36)	1	

FIG.140A

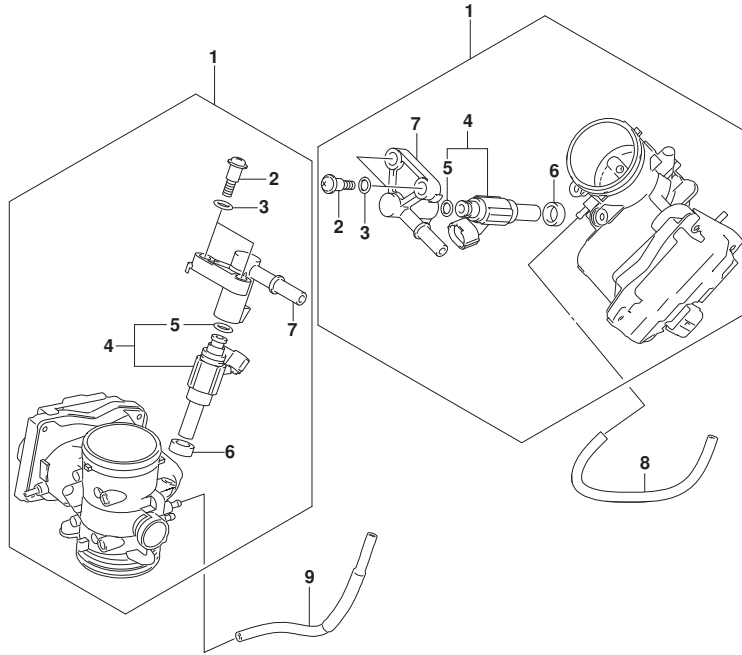


FIG.140A (1-B-16) THROTTLE BODY

REF NO.	PART NO.	DESCRIPTION	QTY	REMARKS
1	13400-06L00	BODY ASSY,THROTTLE	2	
2	13601-11J00	.SCREW,DELIVERY PIPE	4	
3	13602-29G01	.PACKING	4	
4	15710-31J00	.INJECTOR ASSY	2	
5	15717-58B00	..O-RING	2	
6	15722-14J00	.SEAL	2	
7	13471-06L00	.DELIVERY PIPE	2	
8	13683-06L00	HOSE,VACUUM	1	
9	13683-06L10	HOSE,VACUUM	1	



FIG.155A

FIG.155A (1-C-2) AIR CLEANER

REF NO.	PART NO.	DESCRIPTION	Q'TY	REMARKS
1	13700-06L01	CLEANER ASSY,AIR	1	
2	13881-06L00	.TUBE,OUTLET FR	1	
3	13741-31J00	.CAP, AIR CLEANER	1	
4	13891-31J00	.TUBE,INLET	1	
5	13780-31J00	.FILTER,AIR CLEANER	1	
6	13746-06L00	.GASKET,AIR CLEANER A	1	
7	13746-06L10	.GASKET,AIR CLEANER B	1	
8	13827-06L00	.CLAMP,OUTLET TUBE	2	
9	03541-0520A	.SCREW	6	
10	13878-10G01	.PLUG	1	
11	09401-14301	.CLIP	1	
12	13882-06L00	.TUBE,OUTLET RR	1	
13	13788-06L00	.FILTER,BRETHER	1	
14	18590-18K10	SENSOR,BOOST	2	
15	03541-0520A	SCREW	2	
16	13650-41F10	SENSOR,AIR TEMP	1	
17	13655-41F10	O-RING	1	
18	03511-0516A	SCREW	1	
19	13738-31J00	SHEET,AIR CLEANER INLET	1	
20	13850-31J00	TUBE,BREATHER	1	
21	09401-22405	CLIP	2	

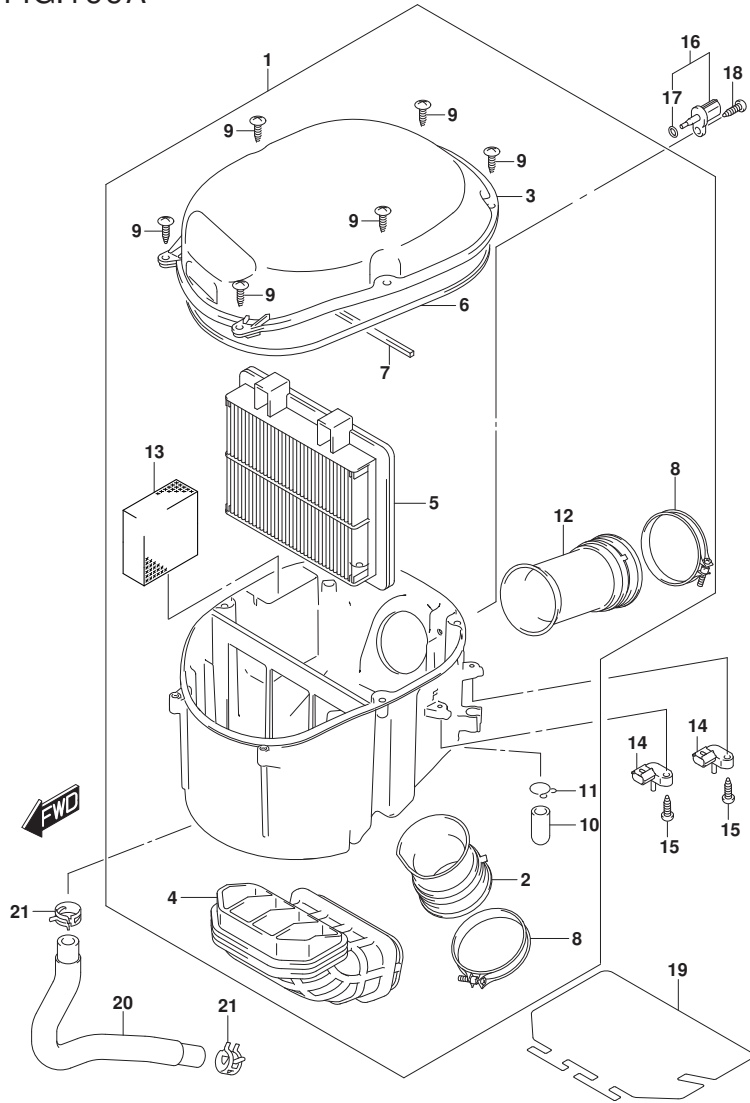


FIG.163A

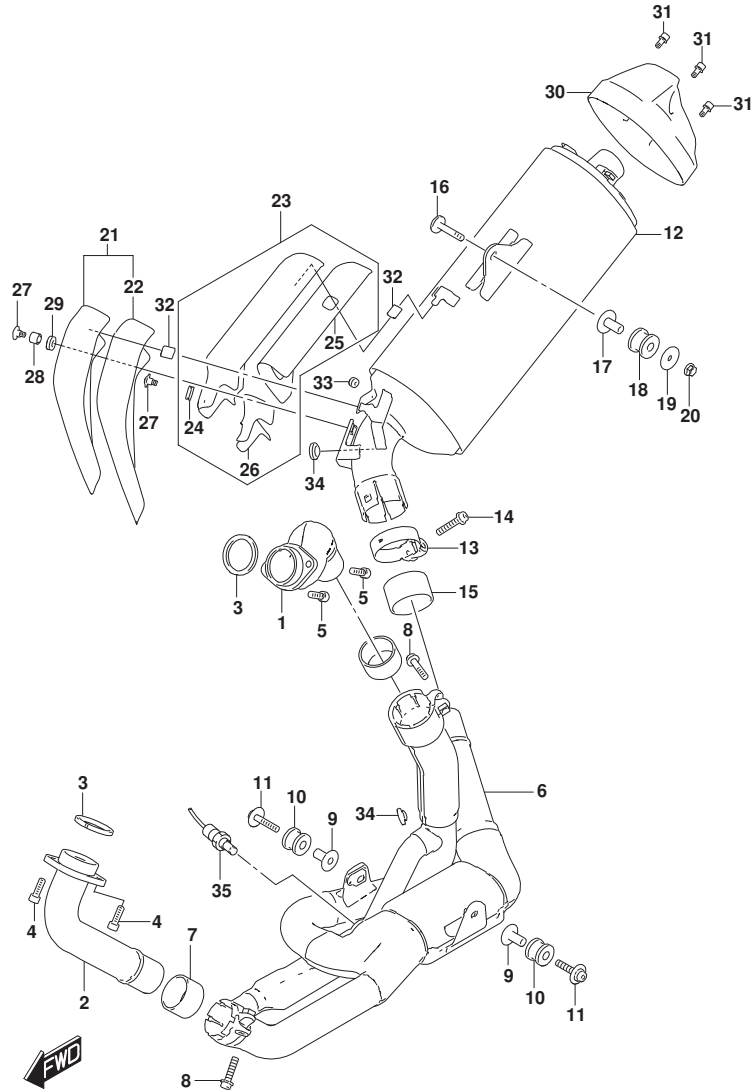


FIG.163A (1-C-3) MUFFLER

REF NO.	PART NO.	DESCRIPTION	Q'TY	REMARKS
1	14150-06L00	PIPE,EXH RR	1	
2	14160-06L00	PIPE,EXH FR	1	
3	14181-31D00	GASKET,EXH PIPE	2	
4	09106-08178	BOLT (8X25)	2	
5	07130-0825A	BOLT	2	
6	14205-06L10	PIPE,EXH CTR	1	
7	14771-42F50	CONNECTOR,JT	2	
8	09106-08197	BOLT (8X35)	2	
9	09180-08152	SPACER (8.6X12X24.2)	2	
10	09320-12077	CUSHION (12X30X24)	2	
11	09116-08176	BOLT,EXH CTR SPRT	2	
12	14310-06L20-H01	BODY,MUFFLER	1	
13	14459-31J10	CLAMP,MUF CONN	1	
14	09106-08162	BOLT (8X40)	1	
15	14771-18H00	CONNECTOR,MUF	1	
16	09106-08195	BOLT (8X45)	1	
17	09180-08156	SPACER (8.6X12X25.5)	1	
18	09320-12049	CUSHION	1	
19	09160-08162	WASHER (8.5X33X1.6)	1	
20	08316-1008B	NUT	1	
21	14760-06L00	COVER,MUF FR	1	
22	14762-06L00	.SHIELD,MUF COV FR HEAT NO.1	1	
23	14780-06L00	COVER,MUF	1	
24	09320-08066	.CUSHION (8.4X18X6)	1	
25	14784-06L00	.SHIELD,MUF COV HEAT	1	
26	14785-06L00	.SHIELD,MUF COV HEAT NO.2	1	
27	09139-06240	SCREW,MUF COV	2	
28	09180-06256	SPACER (6.5X9X5.7)	2	
29	09320-08066	CUSHION (8.4X18X6)	1	
30	14791-06L01	COVER,MUF RR	1	
31	09116-06528	BOLT	3	
32	14795-10FA0	GROMMET	2	
33	09320-04013	CUSHION (4X12X8)	1	
34	09321-10018	CUSHION	2	
35	18213-25L00	SENSOR,OXYGEN	1	

FIG.170A

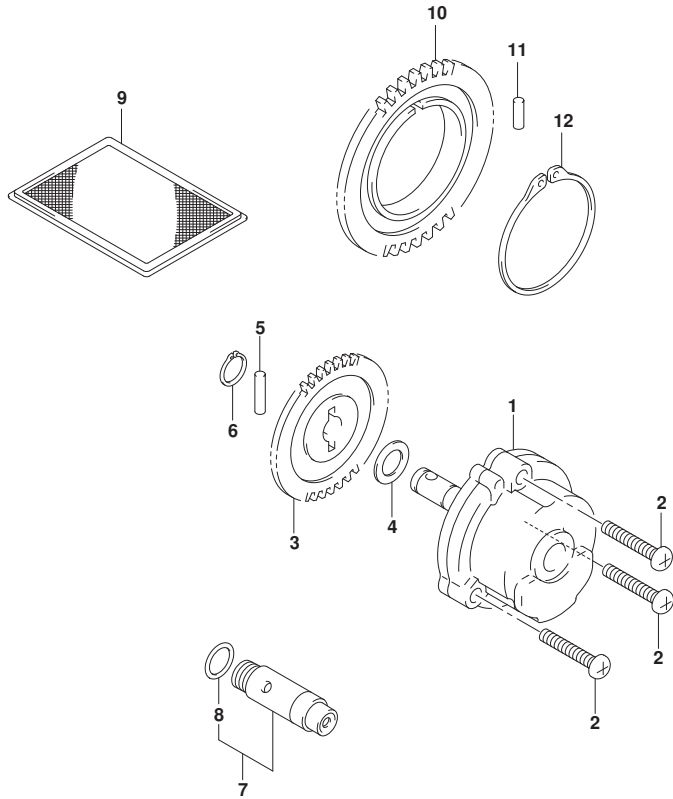


FIG.170A (1-C-4) OIL PUMP

REF NO.	PART NO.	DESCRIPTION	Q'TY	REMARKS
1	16400-02FB0	PUMP ASSY,ENG OIL	1	
2	07130-0625A	BOLT	3	
3	16331-02F00	GEAR,OIL PUMP DRIVEN (NT:29)	1	
4	09181-10158	SHIM (10X18X0.5)	1	
5	09261-04009	PIN (4X15.8)	1	
6	08331-31109	CIRCLIP	1	
7	16440-24F00	VALVE ASSY,OIL RELIEF (7K)	1	
8	09280-13004	.O-RING (D:1.9,ID:13)	1	
9	16520-32E01	STRAINER,ENG OIL	1	
10	16321-02F00	GEAR,ENG OIL PUMP DRIVE (NT:41)	1	
11	09261-06002	PIN (6X6)	1	
12	08331-31509	CIRCLIP	1	



FIG.172A

FIG.172A (1-C-5) FUEL PUMP

REF NO.	PART NO.	DESCRIPTION	Q'TY	REMARKS
1	15100-28K00	PUMP ASSY,FUEL	1	
2	15113-05H00	.O-RING	1	
3	15113-17K00	.O RING	1	
4	15113-35F00	.O-RING	1	
5	15114-17K00	.WIRE,EARTH	1	
6	15115-17K00	.WIRE,LEAD	1	
7	15116-17K00	.COLLAR	1	
8	15310-17K00	.FILTER	1	
9	15420-17K00	.STRAINER	1	
10	15610-17K00	.REGULATOR	1	
11	15113-48H00	..O-RING	1	
12	15201-07L00	O RING	1	
13	15122-17K00	PLATE,FUEL PUMP INNER	1	
14	15121-28K00	PLATE,FUEL PUMP OUTER	1	
15	07120-0616A	BOLT	5	
16	15810-06L00	HOSE,FUEL	1	
17	34810-06L00	GAUGE ASSY,FUEL LEVEL SENDER	1	
18	34815-06L00	ATTACHMENT,FUEL LEVEL GAUGE	1	

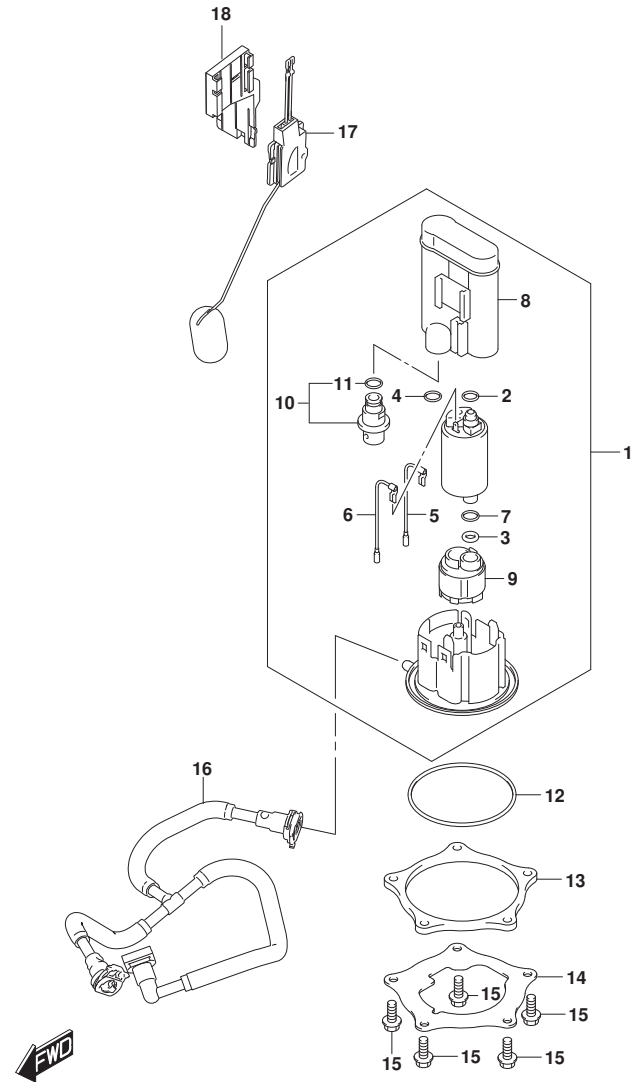


FIG.178A

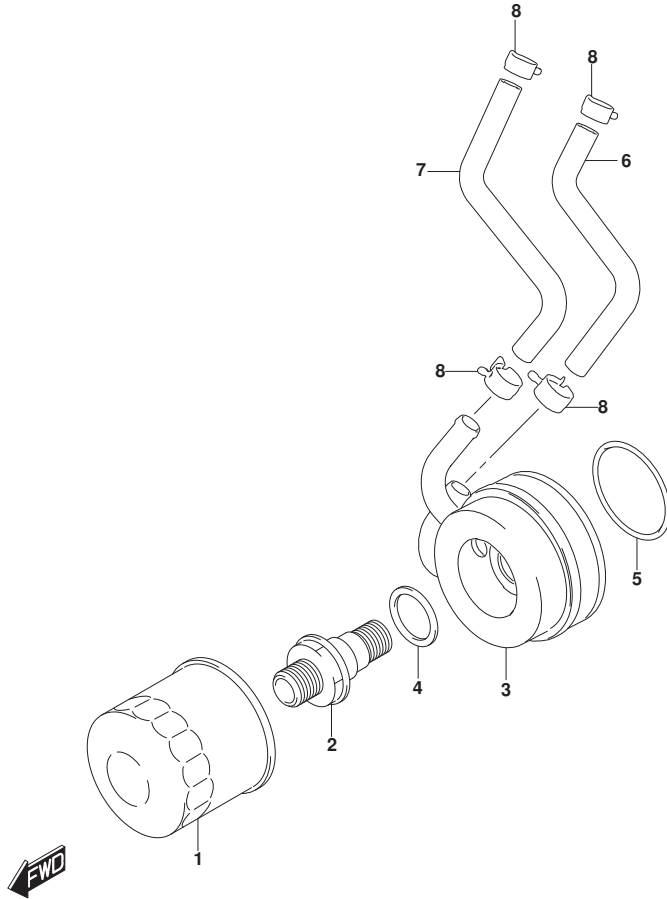


FIG.178A (1-C-6) OIL COOLER

REF NO.	PART NO.	DESCRIPTION	Q'TY	REMARKS
1	16510-07J00	FILTER ASSY,ENGINE OIL (P1.0)	1	
2	16591-06L00	BOLT,OIL COOLER UNION	1	
3	16600-06L00	COOLER ASSY,OIL	1	
4	09181-21002	SHIM (21X31X0.8)	1	
5	16611-48K00	O-RING,OIL COOLER	1	
6	16461-06L00	HOSE,OIL COOLER WATER INLET	1	
7	16471-06L00	HOSE,OIL COOLER WATER OUTLET	1	
8	09401-16407	CLIP (ID:16.5)	4	

FIG.180A

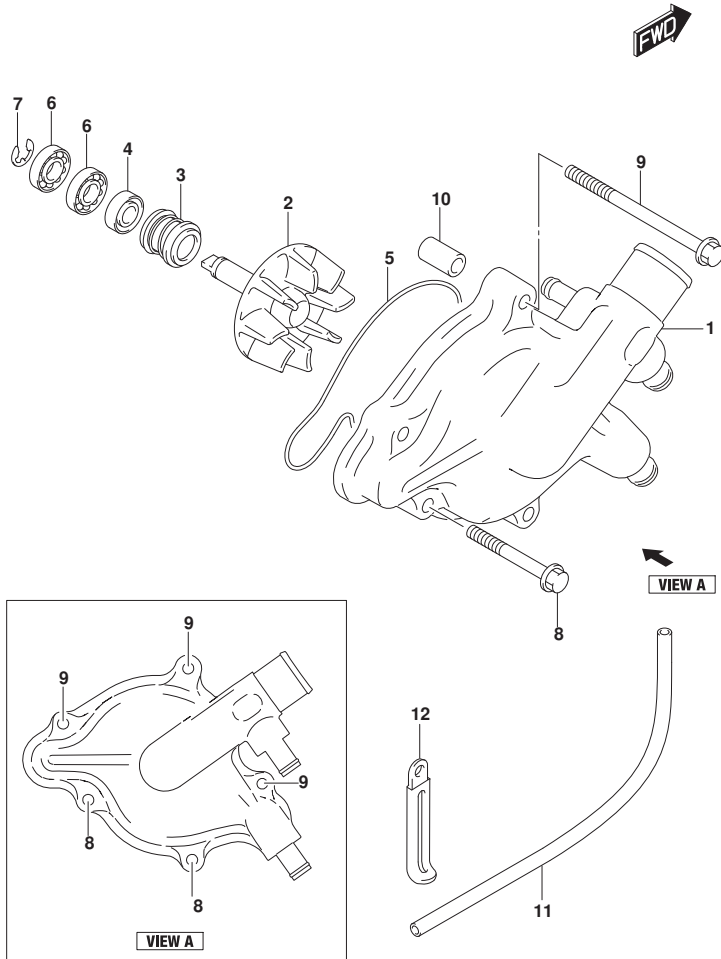


FIG.180A (1-C-7) WATER PUMP

REF NO.	PART NO.	DESCRIPTION	Q'TY	REMARKS
1	17410-06L00	CASE,WATER PUMP	1	
2	17491-16G00	IMPELLER,WATER PUMP	1	
3	17470-02F11	SEAL,WATER PUMP SHAFT MECH	1	
4	09283-10005	OIL SEAL (10X20X5)	1	
5	17435-02F00	O RING,WATER PUMP CASE	1	
6	09262-10016	BEARING (10X22X5)	2	
7	08332-1108A	E RING	1	
8	09103-06529	BOLT (6X30)	2	
9	09103-06536	BOLT,MAGNETO COVER (6X65)	3	
10	04211-09149	PIN (8.5X18X2.3)	1	
11	09352-42704-140	HOSE	1	
12	09404-06429	CLAMP (L:45)	1	

FIG.185A

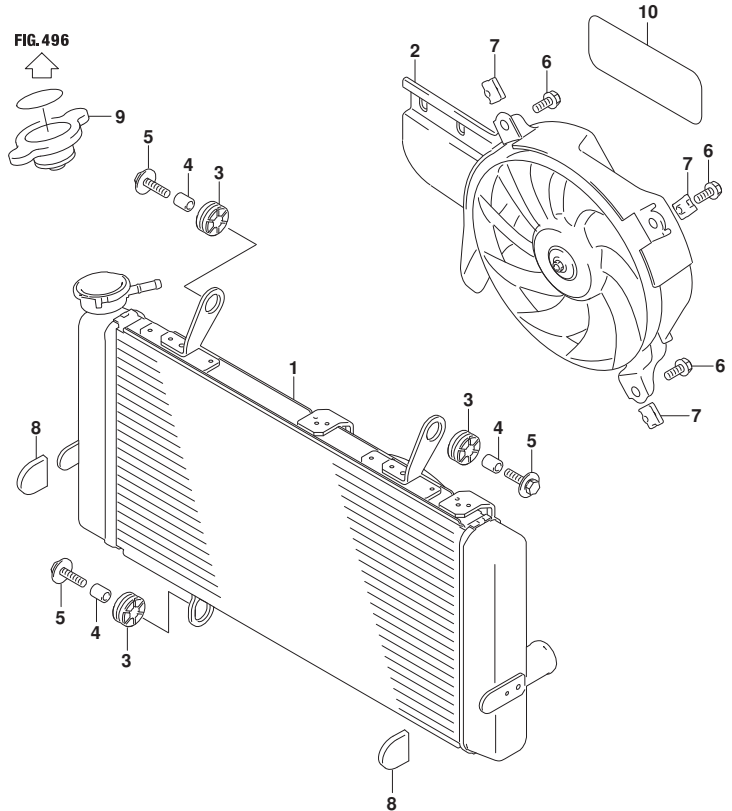


FIG.185A (1-C-8) RADIATOR

REF NO.	PART NO.	DESCRIPTION	Q'TY	REMARKS
1	17710-06L00	RADIATOR,WATER	1	
2	17800-06L10	FAN ASSY,RADIATOR	1	
3	09320-10051	CUSHION	3	
4	09180-06290	SPACER (6.5X10X12)	3	
5	09118-06097	BOLT (6X25)	2	
6	17711-07L00	BOLT,RADIATOR FAN	3	
7	17802-14F00	NUT,RADIATOR FAN	3	
8	09329-18001	CUSHION	2	
9	17730-08D10	CAP,RADIATOR (1.1)	1	
10	63131-10F00	TAPE,RR FENDER (30X75X0.2)	1	



FIG.187A

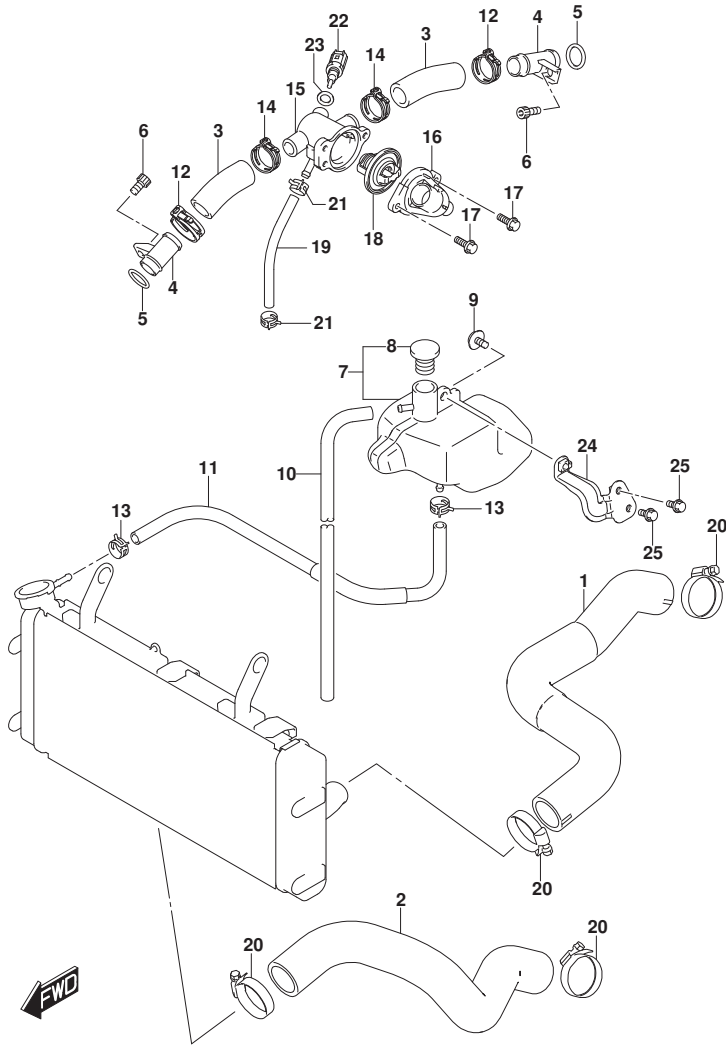


FIG.187A (1-C-9) RADIATOR HOSE

REF NO.	PART NO.	DESCRIPTION	Q'TY	REMARKS
1	17851-06L00	HOSE,RADIATOR INLET	1	
2	17852-06L00	HOSE,RADIATOR OUTLET	1	
3	17853-02F10	HOSE,CONNECTOR INLET	2	
4	17890-06G20	UNION,CONNECTOR HOSE	2	
5	09280-18008	O RING (D:3.2,ID:17.8)	2	
6	07130-0612A	BOLT	2	
7	17910-31J00	TANK ASSY,RESERVOIR	1	
8	17931-31J00	.CAP,WATER RESERVOIR TANK	1	
9	09111-06085	BOLT (6X12)	1	
10	17982-06L00	HOSE,RSVR TANK OVFL	1	
11	17981-06L00	HOSE,RSVR TANK INLET	1	
12	09401-24002	CLAMP	2	
13	09401-08411	CLIP (ID:8.6)	2	
14	09401-25001	CLAMP	2	
15	17662-02F11	CONNECTOR,THERMOSTAT,INLET	1	
16	17663-42E00	CAP,THERMOSTAT CONNECTOR	1	
17	01550-0616A	BOLT	2	
18	17670-06G51	THERMOSTAT,WATER	1	
19	17856-16G10	HOSE,WATER BYPASS	1	
20	09401-29001	CLAMP	4	
21	09401-12414	CLAMP	2	
22	13650-49X00	SENSOR,TEMP	1	
23	09168-12017	GASKET (12X17X1)	1	
24	17920-31J00	BRACKET,RSVR TANK	1	
25	01550-0610A	BOLT	2	

FIG.189A

FIG.189A (1-C-10) 2ND AIR

REF NO.	PART NO.	DESCRIPTION	Q'TY	REMARKS
1	18450-28K00	VALVE ASSY,OIL REED	2	
2	18461-06L00	HOSE,2ND AIR VALVE FR	1	
3	18471-06L00	HOSE,2ND AIR VALVE RR	1	
4	18510-29G31	VALVE ASSY,AIR CUT	1	
5	18531-06G01	COVER,2ND AIR	2	
6	18711-06L00	HOSE,2ND AIR CLNR	1	
7	09401-18101	CLIP	3	
8	09401-15101	CLIP (ID:15.5)	2	
9	09401-17201	CLIP	1	
10	01547-0620A	BOLT	4	

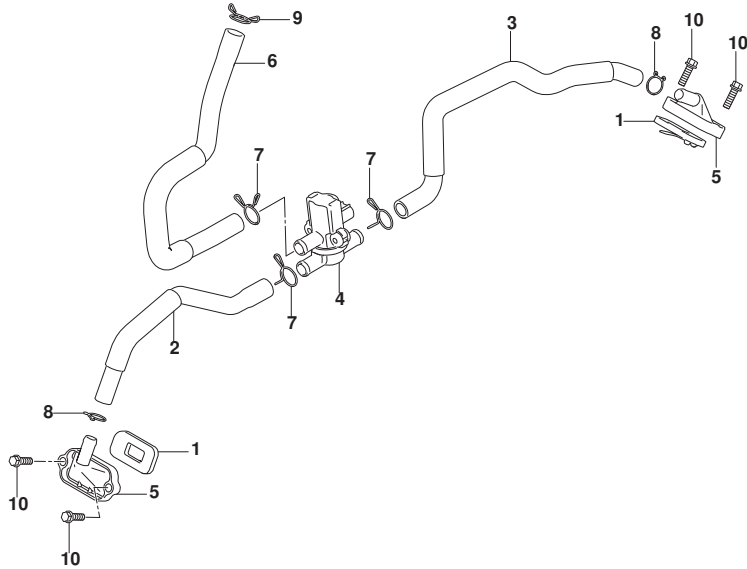


FIG.201A

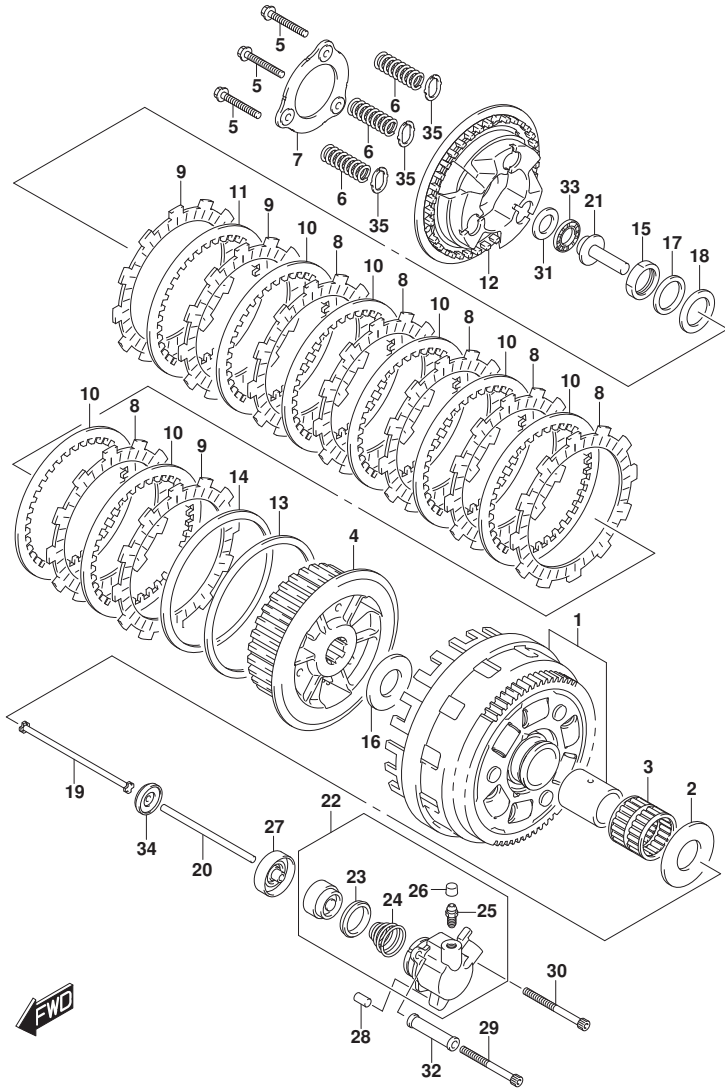


FIG.201A (1-C-11) CLUTCH

REF NO.	PART NO.	DESCRIPTION	Q'TY	REMARKS
1	21200-31Y20	GEAR ASSY,PRIMARY DRIVEN	1	
2	09160-25074	WASHER (25X52X2.5)	1	
3	09263-35013	BEARING (35X40X39.8)	1	
4	21411-31J10	HUB,CLUTCH SLEEVE	1	
5	21412-31J00	BOLT,CLUTCH SPRING	3	
6	21413-31J10	SPRING,CLUTCH	3	
7	21414-31J00	PLATE,STOPPER	1	
8	21441-31J10	PLATE,CLUTCH DRIVE NO.1	6	
9	21442-31J00	PLATE,CLUTCH DRIVE NO.2 (T:3.8	3	
10	21451-24F00	PLATE,CLUTCH DRIVEN NO.1 (T:2.0)	7	
11	21452-31J00	PLATE,CLUTCH DRIVEN NO.2 (T:2.0)	1	
12	21462-31J10	DISC,CLUTCH PRESSURE	1	
13	21471-24F00	SEAT,WAVE WASHER	1	
14	21472-24F00	WASHER,CLUTCH PLATE WAVE	1	
15	09159-24010	NUT	1	
16	09160-25056	WASHER (25X50X2.5)	1	
17	09164-24008	WASHER (24.2X35X2.7)	1	
18	09181-25223	SHIM (25X38X1)	1	
19	23110-27A00	ROD,CLUTCH (L:161)	1	
20	23111-26D00	ROD,CLUTCH PUSH,L (L:132.5)	1	
21	23121-31E00	PIECE,CLUTCH PUSH	1	
22	23160-06G21	CYLINDER,CLUTCH RELEASE	1	
23	23163-06B00	.CUP	1	
24	23164-05A00	.SPRING	1	
25	59121-01A00	.BLEEDER	1	
26	59122-01A00	.CAP,BLEEDER	1	
27	23166-06G10	COVER,DUST	1	
28	04221-08149	PIN	1	
29	07130-0665B	BOLT	1	
30	07130-0670B	BOLT	1	
31	09160-15045	WASHER (15.5X28X1)	1	
32	23171-06G00	SPACER,CL RLSE CYL	1	

FIG.201A

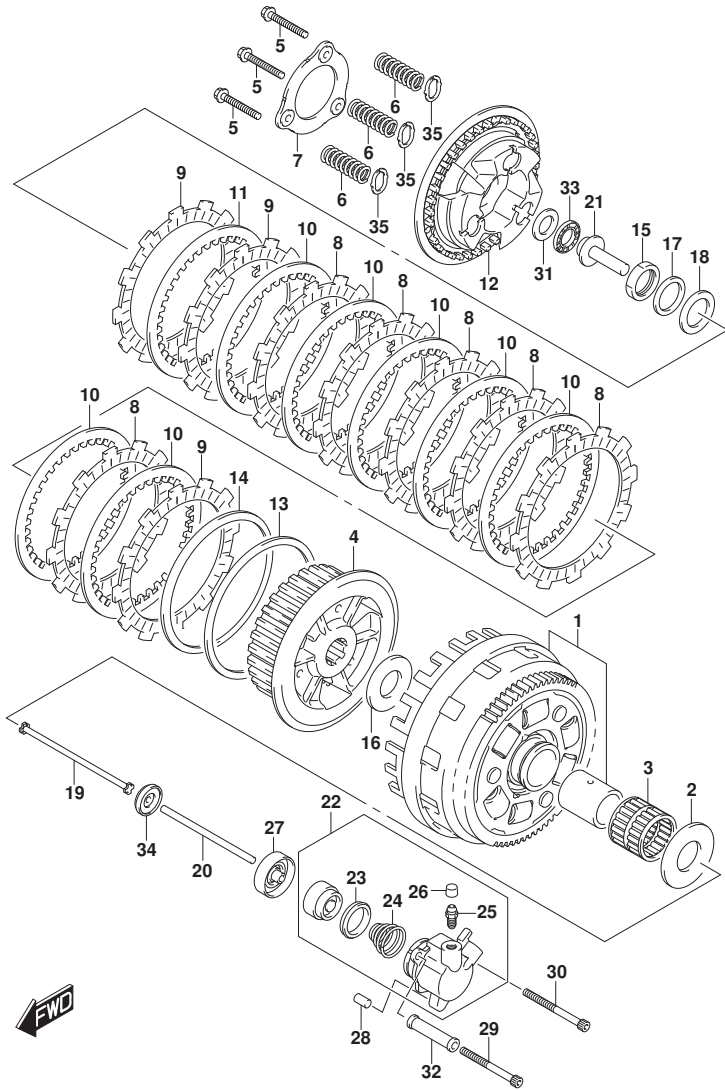


FIG.201A (1-C-12) CLUTCH

REF NO.	PART NO.	DESCRIPTION	Q'TY	REMARKS
33	09263-15003	BEARING (15X28X2)	1	
34	09283-06008	OIL SEAL (6X34X10.5)	1	
35	21415-31J00	SEAT,CLUTCH SPRING	3	

FIG.206A

FIG.206A (1-C-13) TRANSMISSION (DL1050RR)

REF NO.	PART NO.	DESCRIPTION	Q'TY	REMARKS
1	24120-06G10	SHAFT,COUNTER	1	
2	24221-02F01	GEAR,2ND DRIVE (NT:15)	1	
3	24231-02F40	GEAR,3RD & 4TH DRIVE	1	
4	24251-02F11	GEAR,5TH DRIVE (NT:23)	1	
5	24252-02F10	BUSH,5TH DRIVE GEAR	1	
6	24261-02F40	GEAR,6TH DRIVE	1	
7	24262-02F00	BUSH,6TH DRIVE GEAR	1	
8	09181-22167	SHIM (22X30X1.0)	1	
9	09262-20139	BEARING (20X47X14)	1	
10	09262-25073	BEARING (25X62X17)	1	
11	09280-17004	O-RING (D:1.9,ID:16.6)	1	
12	09380-27001	CIRCLIP	1	
13	24130-02F40	SHAFT,DRIVE	1	
14	24311-02F10	GEAR,1ST DRIVEN NT:32 (NT:32)	1	
15	09263-22068	BEARING (22X26X11)	1	
16	24321-02F30	GEAR,2ND DRIVEN	1	
17	24322-02F01	BUSH,2ND DRIVEN GEAR	1	
18	24331-02F30	GEAR,3RD DRIVEN	1	
19	24332-17E20	BUSH,3RD DRIVEN GEAR	1	
20	24341-02F40	GEAR,4TH DRIVEN	1	
21	24332-17E20	BUSH,3RD DRIVEN GEAR	1	
22	24351-02F20	GEAR,5TH DRIVEN (NT:25)	1	
23	24361-02F50	GEAR,6TH DRIVEN	1	
24	09160-27008	WASHER (27X36X1.0)	1	
25	24333-02F00	WASHER,3RD & 4TH DRIVEN	1	
26	24333-02F00	WASHER,3RD & 4TH DRIVEN	1	
27	24333-02F10	WASHER,3RD & 4TH DRIVEN GEAR	1	
28	09181-20251	SHIM (20X34X1)	1	
29	09181-22223	SHIM (22X34X1)	1	
30	09262-20082	BEARING (20X52X15)	1	
31	09262-28064	BEARING	1	
32	09283-38028	OIL SEAL (38X52X8)	1	
33	09380-27001	CIRCLIP	1	
34	09380-27001	CIRCLIP	1	
35	09380-27001	CIRCLIP	1	

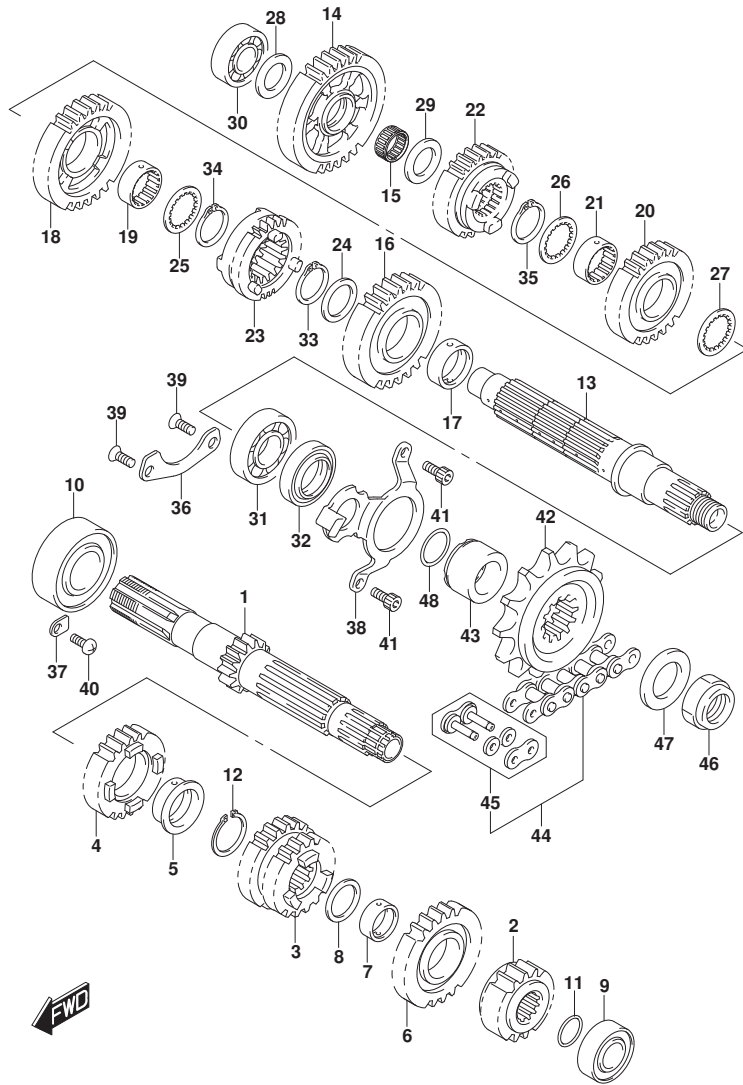


FIG.206A

FIG.206A (1-C-14) TRANSMISSION (DL1050RR)

REF NO.	PART NO.	DESCRIPTION	Q'TY	REMARKS
36	24741-06G00	RETAINER,DRIVE SHAFT BRG	1	
37	24741-21A00	RETAINER	1	
38	24751-06G00	RETAINER,DRIVE SHAFT OIL SEAL	1	
39	09126-06011	SCREW (6X12)	2	
40	02112-0612A	SCREW	1	
41	07130-0612A	BOLT	2	
42	27511-20A21	SPROCKET,ENGINE (NT:17)	1	
43	27531-31J00	SPACER,ENGINE SPROCKET	1	
44	27600-06G40-120	CHAIN ASSY,DRIVE (RK525SMOZ8)	1	
45	27620-06G40	JOINT SET,DRIVE CHAIN	1	
46	09159-20004	NUT	1	
47	09160-25009	WASHER (25X41X3)	1	
48	09280-24010	O RING (D:2.4,ID:23.7)	1	

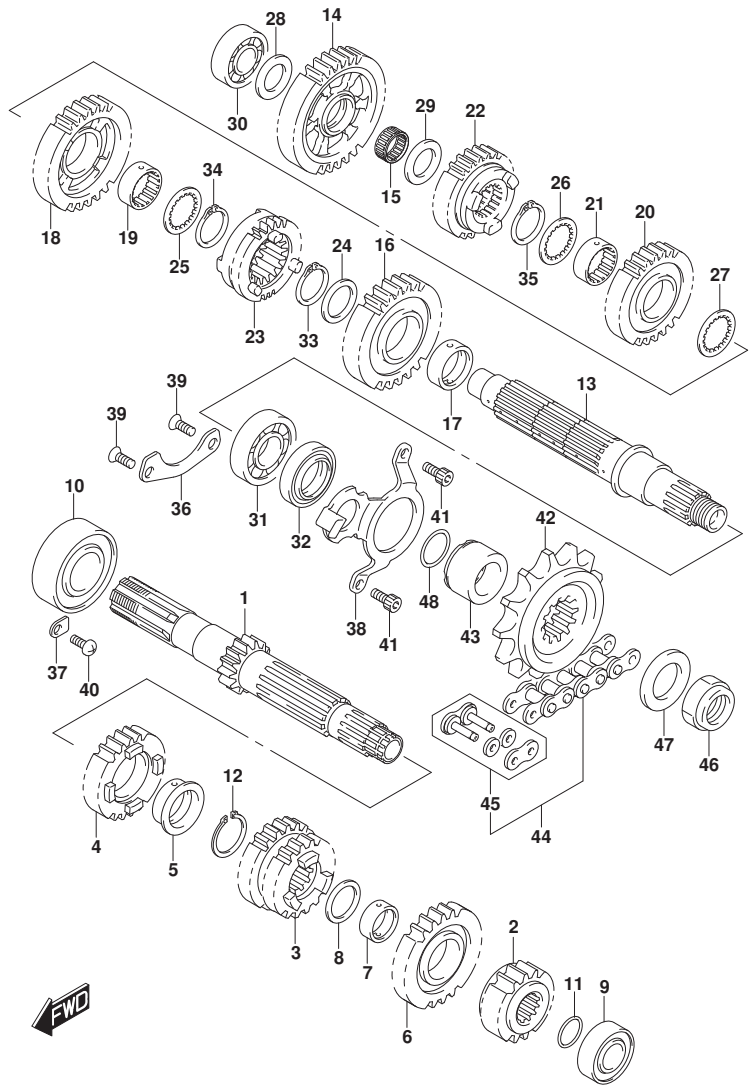


FIG.206B

FIG.206B (1-C-15) TRANSMISSION (DL1050RJ)

REF NO.	PART NO.	DESCRIPTION	Q'TY	REMARKS
1	24120-06G10	SHAFT,COUNTER	1	
2	24221-02F01	GEAR,2ND DRIVE (NT:15)	1	
3	24231-02F40	GEAR,3RD & 4TH DRIVE	1	
4	24251-02F11	GEAR,5TH DRIVE (NT:23)	1	
5	24252-02F10	BUSH,5TH DRIVE GEAR	1	
6	24261-02F40	GEAR,6TH DRIVE	1	
7	24262-02F00	BUSH,6TH DRIVE GEAR	1	
8	09181-22167	SHIM (22X30X1.0)	1	
9	09262-20139	BEARING (20X47X14)	1	
10	09262-25073	BEARING (25X62X17)	1	
11	09280-17004	O-RING (D:1.9,ID:16.6)	1	
12	09380-27001	CIRCLIP	1	
13	24130-02F40	SHAFT,DRIVE	1	
14	24311-02F10	GEAR,1ST DRIVEN NT:32 (NT:32)	1	
15	09263-22068	BEARING (22X26X11)	1	
16	24321-02F30	GEAR,2ND DRIVEN	1	
17	24322-02F01	BUSH,2ND DRIVEN GEAR	1	
18	24331-02F30	GEAR,3RD DRIVEN	1	
19	24332-17E20	BUSH,3RD DRIVEN GEAR	1	
20	24341-02F40	GEAR,4TH DRIVEN	1	
21	24332-17E20	BUSH,3RD DRIVEN GEAR	1	
22	24351-02F20	GEAR,5TH DRIVEN (NT:25)	1	
23	24361-02F50	GEAR,6TH DRIVEN	1	
24	09160-27008	WASHER (27X36X1.0)	1	
25	24333-02F00	WASHER,3RD & 4TH DRIVEN	1	
26	24333-02F00	WASHER,3RD & 4TH DRIVEN	1	
27	24333-02F10	WASHER,3RD & 4TH DRIVEN GEAR	1	
28	09181-20251	SHIM (20X34X1)	1	
29	09181-22223	SHIM (22X34X1)	1	
30	09262-20082	BEARING (20X52X15)	1	
31	09262-28064	BEARING	1	
32	09283-38028	OIL SEAL (38X52X8)	1	
33	09380-27001	CIRCLIP	1	
34	09380-27001	CIRCLIP	1	
35	09380-27001	CIRCLIP	1	

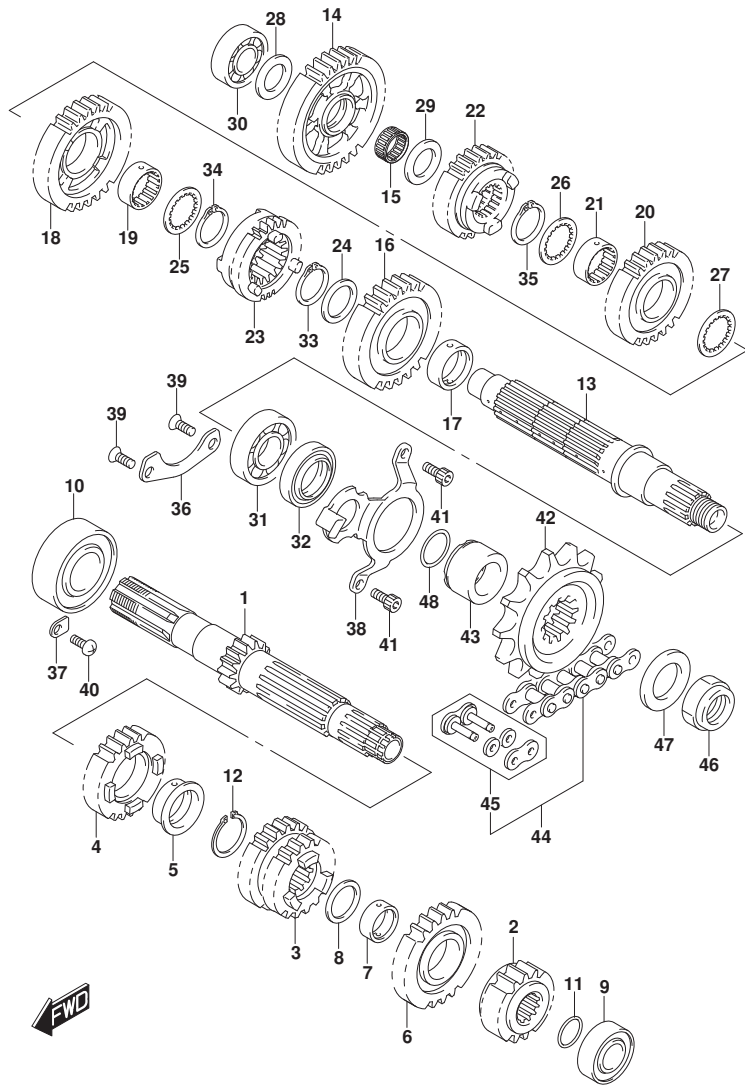


FIG.206B

FIG.206B (1-C-16) TRANSMISSION (DL1050RJ)

REF NO.	PART NO.	DESCRIPTION	Q'TY	REMARKS
36	24741-06G00	RETAINER,DRIVE SHAFT BRG	1	
37	24741-21A00	RETAINER	1	
38	24751-06G00	RETAINER,DRIVE SHAFT OIL SEAL	1	
39	09126-06011	SCREW (6X12)	2	
40	02112-0612A	SCREW	1	
41	07130-0612A	BOLT	2	
42	27511-20A21	SPROCKET,ENGINE (NT:17)	1	
43	27531-31J00	SPACER,ENGINE SPROCKET	1	
44	27600-06L00-120	CHAIN ASSY,DRIVE	1	
45	27620-06L00	JOINT SET CHAIN	1	
46	09159-20004	NUT	1	
47	09160-25009	WASHER (25X41X3)	1	
48	09280-24010	O RING (D:2.4,ID:23.7)	1	

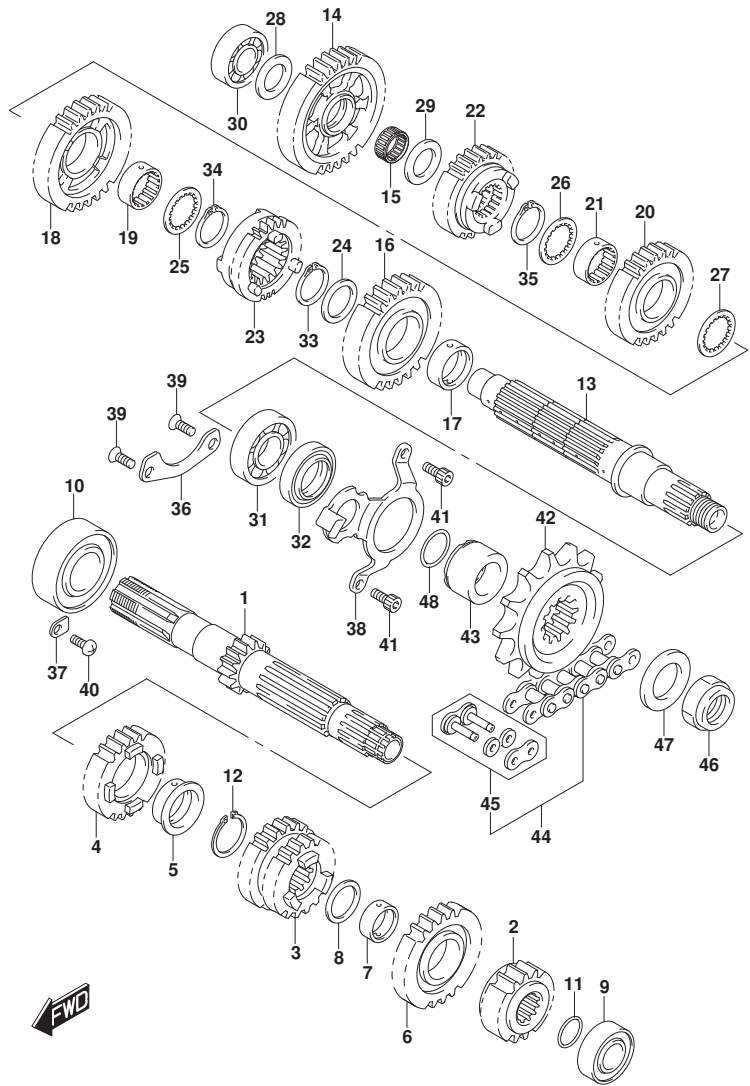


FIG.212A

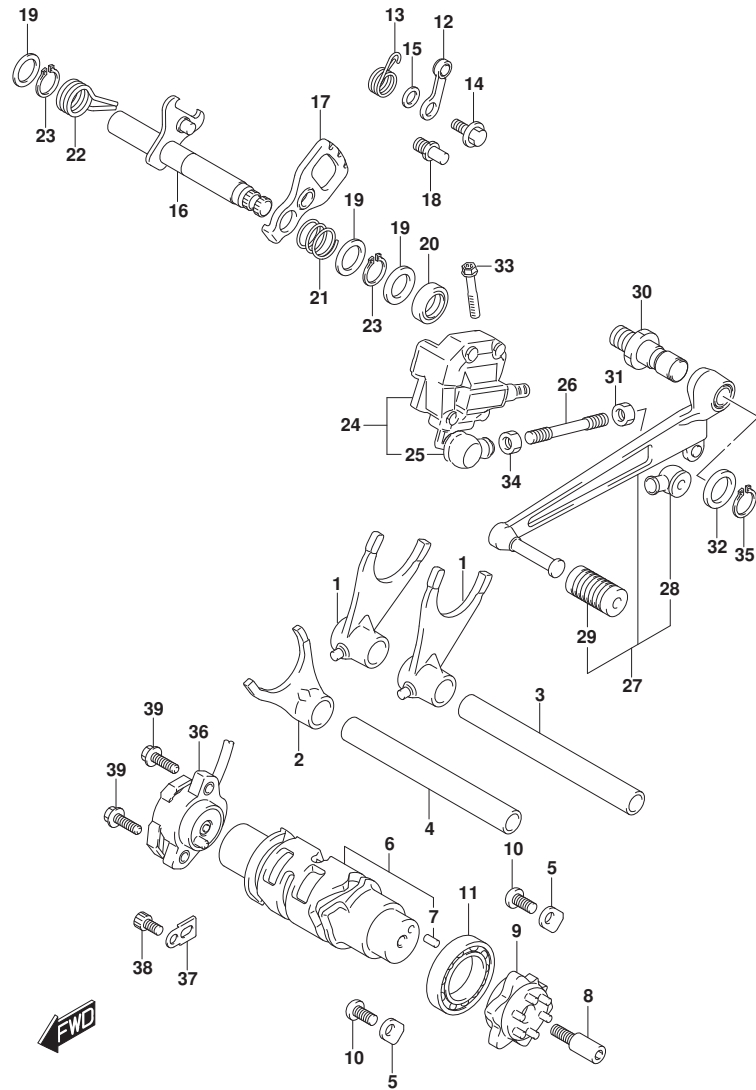


FIG.212A (1-D-2) GEAR SHIFTING (DL1050RR)

REF NO.	PART NO.	DESCRIPTION	Q'TY	REMARKS
1	25211-35F11	FORK,GEAR SHIFT NO.1	2	
2	25231-35F00	FORK,GEAR SHIFT,NO.3	1	
3	25411-02F20	SHIFT,GEAR SHIFT FORK	1	
4	25411-02F20	SHIFT,GEAR SHIFT FORK	1	
5	24741-21A00	RETAINER	2	
6	25310-31J10	CAM,GEAR SHIFT	1	
7	04221-04089	.PIN	1	
8	25312-17K00	BOLT,GEAR SHIFT CAM PLATE	1	
9	25381-17K00	PLATE,GEAR SHIFT CAM	1	
10	09125-06122	SCREW (6X12)	2	
11	08113-69050	BEARING	1	
12	25350-06G00	STOPPER,SHIFT CAM	1	
13	25355-38F00	SPRING,GEAR SHIFT CAM STOPPER	1	
14	09111-06041	BOLT (6X14.3)	1	
15	08211-06141	WASHER	1	
16	25510-06L00	SHAFT,GEAR SHIFT	1	
17	25512-06G20	PLATE,GEAR SHIFT CAM DRIVE	1	
18	25671-01011	STOPPER,GEAR SHIFT ARM	1	
19	09181-14167	SHIM (14X22X1.0)	3	
20	09283-14005	SEAL,OIL (14X22X7.3)	1	
21	09440-17009	SPRING	1	
22	25518-06L00	SPRING,GEAR SHIFT SHAFT RETURN	1	
23	08331-3114A	CIRCLIP	2	
24	25500-48K10	SENSOR ASSY,GEAR SHIFT	1	
25	25526-47001	.COVER,DUST	1	
26	25525-11C00	ROD,GEAR SHIFT LINK (L:90)	1	
27	25600-31J01	LEVER ASSY,GEAR SHIFT	1	
28	25526-47001	.COVER,DUST	1	
29	25652-20C00	.RUBBER,GEAR SHIFT PEDAL	1	
30	25617-03F10	SHAFT,GEAR SHIFT LEVER	1	
31	09140-06025	NUT	1	
32	09160-12011	WASHER (12.5X20X1.0)	1	
33	09103-06530	BOLT (L:35)	1	
34	09140-06020	NUT	1	
35	08331-3112A	CIRCLIP	1	

FIG.212A

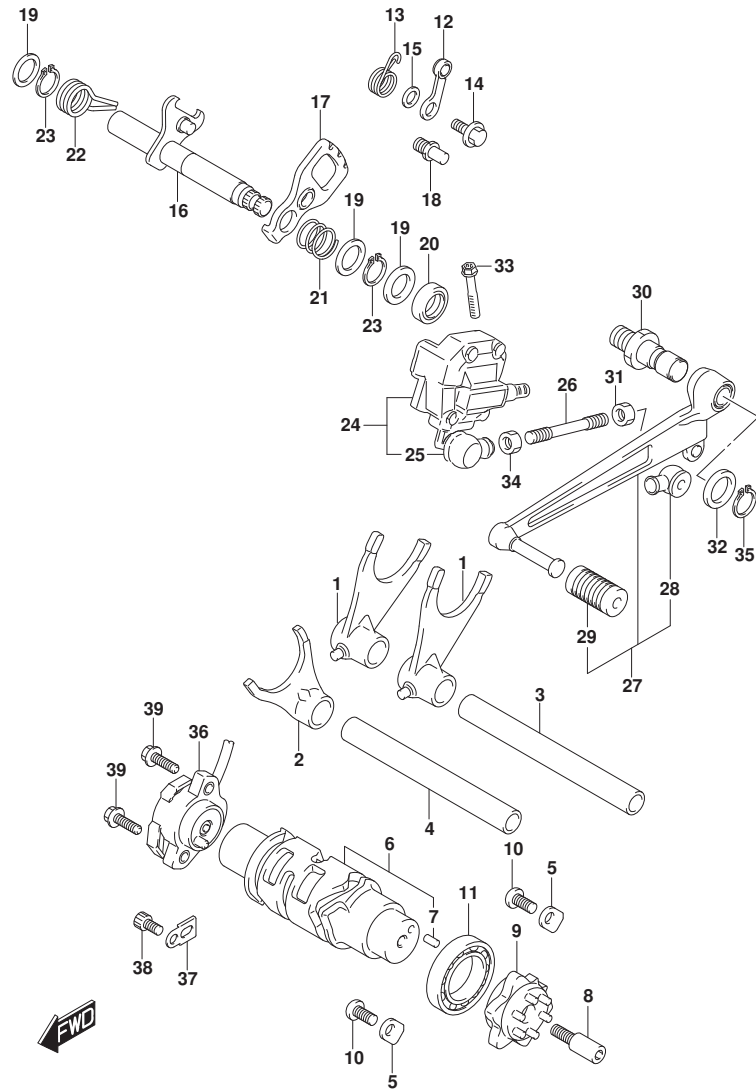


FIG.212A (1-D-3) GEAR SHIFTING (DL1050RR)

REF NO.	PART NO.	DESCRIPTION	Q'TY	REMARKS
36	37730-06L00	SENSOR ASSY, GEAR POSITION	1	
37	31497-45000	CLAMP, MAGNETO LEAD	1	
38	07130-0510A	BOLT	1	
39	09106-05023	BOLT (5X16)	2	

FIG.212B

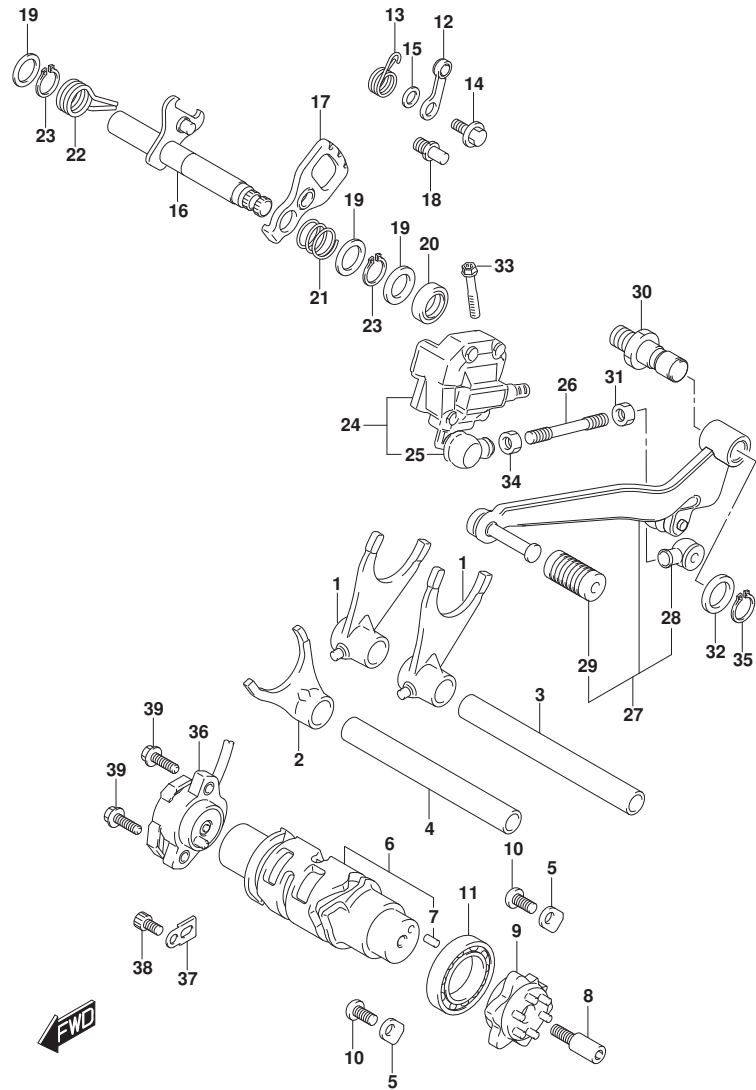


FIG.212B (1-D-4) GEAR SHIFTING (DL1050RJ)

REF NO.	PART NO.	DESCRIPTION	Q'TY	REMARKS
1	25211-35F11	FORK,GEAR SHIFT NO.1	2	
2	25231-35F00	FORK,GEAR SHIFT,NO.3	1	
3	25411-02F20	SHIFT,GEAR SHIFT FORK	1	
4	25411-02F20	SHIFT,GEAR SHIFT FORK	1	
5	24741-21A00	RETAINER	2	
6	25310-31J10	CAM,GEAR SHIFT	1	
7	04221-04089	.PIN	1	
8	25312-17K00	BOLT,GEAR SHIFT CAM PLATE	1	
9	25381-17K00	PLATE,GEAR SHIFT CAM	1	
10	09125-06122	SCREW (6X12)	2	
11	08113-69050	BEARING	1	
12	25350-06G00	STOPPER,SHIFT CAM	1	
13	25355-38F00	SPRING,GEAR SHIFT CAM STOPPER	1	
14	09111-06041	BOLT (6X14.3)	1	
15	08211-06141	WASHER	1	
16	25510-06L00	SHAFT,GEAR SHIFT	1	
17	25512-06G20	PLATE,GEAR SHIFT CAM DRIVE	1	
18	25671-01011	STOPPER,GEAR SHIFT ARM	1	
19	09181-14167	SHIM (14X22X1.0)	3	
20	09283-14005	SEAL,OIL (14X22X7.3)	1	
21	09440-17009	SPRING	1	
22	25518-06L00	SPRING,GEAR SHIFT SHAFT RETURN	1	
23	08331-3114A	CIRCLIP	2	
24	25500-48K10	SENSOR ASSY,GEAR SHIFT	1	
25	25526-47001	.COVER,DUST	1	
26	25525-11C00	ROD,GEAR SHIFT LINK (L:90)	1	
27	25600-06L10	LEVER ASSY,GEAR SHIFT	1	
28	25526-47001	.COVER,DUST	1	
29	25652-20C00	.RUBBER,GEAR SHIFT PEDAL	1	
30	25617-03F10	SHAFT,GEAR SHIFT LEVER	1	
31	09140-06025	NUT	1	
32	09160-12011	WASHER (12.5X20X1.0)	1	
33	09103-06530	BOLT (L:35)	1	
34	09140-06020	NUT	1	
35	08331-3112A	CIRCLIP	1	

FIG.212B

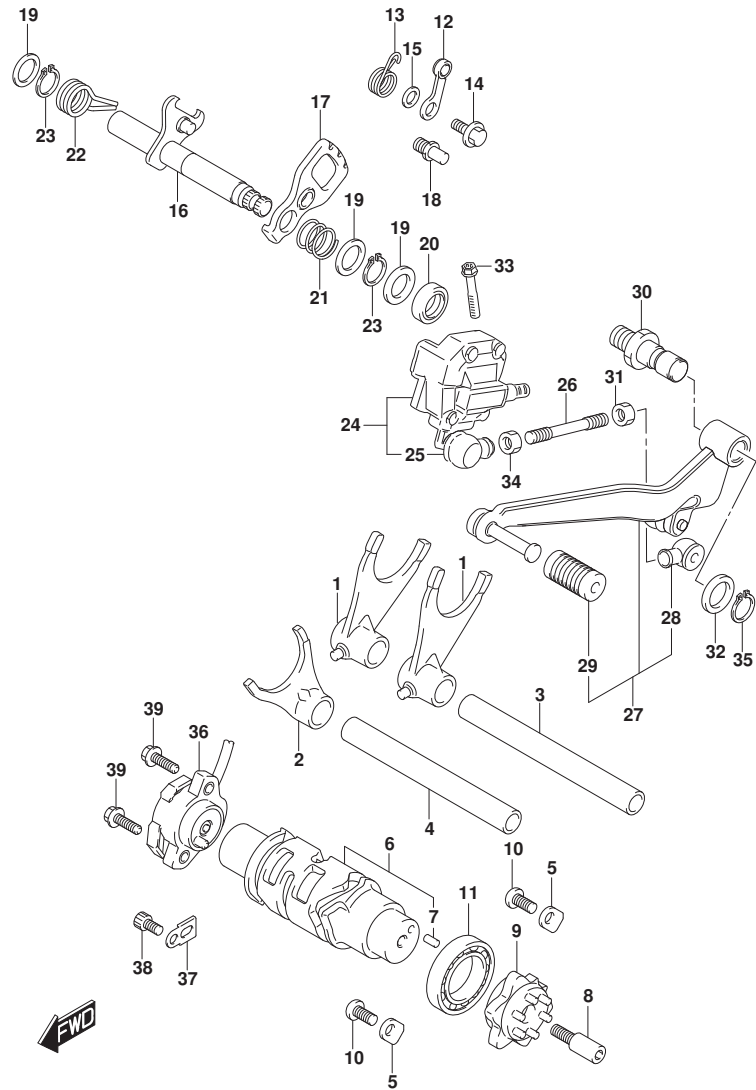


FIG.212B (1-D-5) GEAR SHIFTING (DL1050RJ)

REF NO.	PART NO.	DESCRIPTION	Q'TY	REMARKS
36	37730-06L00	SENSOR ASSY, GEAR POSITION	1	
37	31497-45000	CLAMP, MAGNETO LEAD	1	
38	07130-0510A	BOLT	1	
39	09106-05023	BOLT (5X16)	2	

FIG.301A

FIG.301A (1-D-6) STARTING MOTOR

REF NO.	PART NO.	DESCRIPTION	Q'TY	REMARKS
1	31100-06G01	MOTOR ASSY,STARTING	1	
2	31132-45C00	.HOLDER SET,BRUSH	1	
3	31143-38300	.O-RING	1	
4	31150-44B10	.HOUSING ASSY	1	
5	31170-02F10	.FRAME ASSY	1	
6	31170-43400	.SHIM SET	1	
7	31172-38300	.BUSHING	1	
8	31173-88C00	.BUSHING	1	
9	31264-44110	.O-RING	2	
10	31281-24B10	.BOLT	2	
11	31156-48B00	.O RING (D:2.1,ID:34.7)	1	
12	08310-00067	.NUT	1	
13	08361-3506A	.NUT	1	
14	01547-0625A	BOLT	2	
15	08361-3506A	NUT	1	

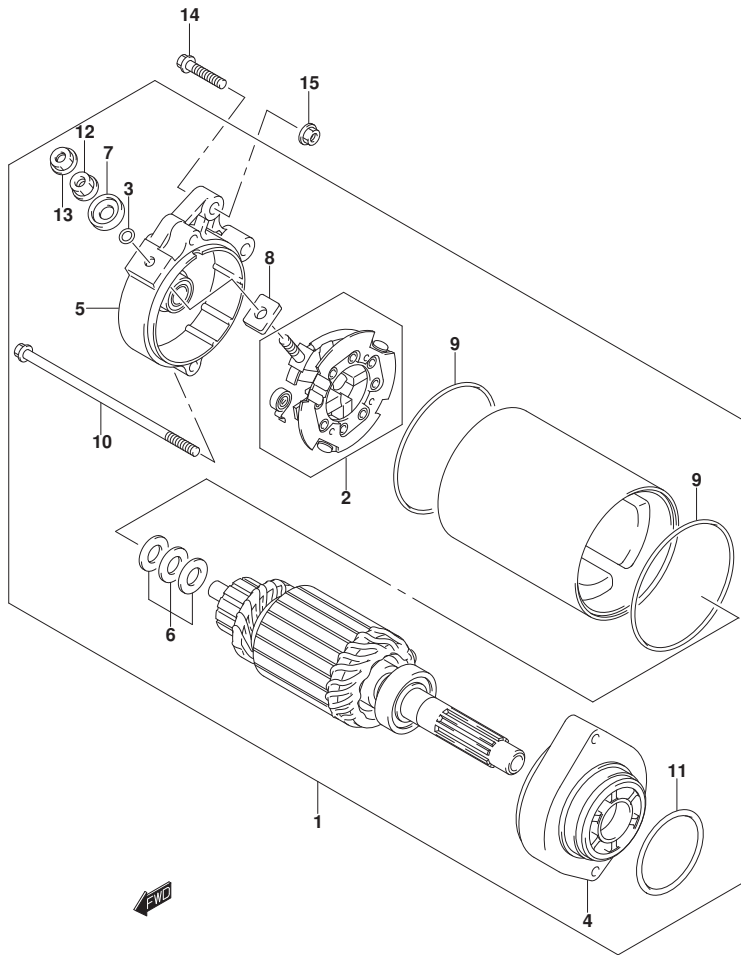


FIG.303A

FIG.303A (1-D-7) MAGNETO

REF NO.	PART NO.	DESCRIPTION	Q'TY	REMARKS
1	32101-06L00	STATOR ASSY,MAGNETO	1	
2	32102-06L00	ROTOR ASSY,MAGNETO	1	
3	32371-13E30	CLAMP,GENERATOR LEAD WIRE	1	
4	09103-14001	BOLT (14X43)	1	
5	09420-04008	KEY (B:4,D:16,H6.5)	1	
6	07130-0512A	BOLT	3	
7	09106-06120	BOLT (6X40)	3	

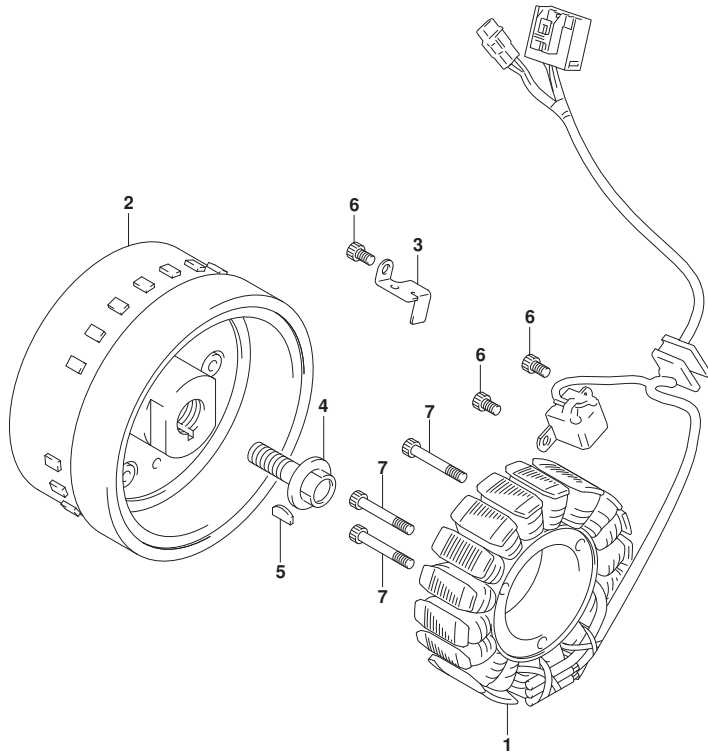


FIG.310A

FIG.310A (1-D-8) BATTERY (DL1050RR)

REF NO.	PART NO.	DESCRIPTION	Q'TY	REMARKS
1	33620-31J01	BATTERY ASSY (FTZ14S,12V/11.2A H)	1	
2	33652-16G00	PROTECTOR,BATTERY	1	
3	33652-06L10	CUSHION,BATTERY RH	1	
4	33652-06L00	CUSHION,BATTERY LH	1	
5	33652-06L20	CUSHION,BATTERY	1	
6	33652-06L30	CUSHION,BATTERY	1	
7	33652-28C00	PROTECTOR (40X85X3)	1	
8	33652-36000	CUSHION (30X50X3)	1	
9	51553-15D40	CUSHION (50X42X2.0)	2	
10	33810-06L00	WIRE,STARTER MOTOR LEAD	1	
11	33860-06L10	WIRE,BATTERY MINUS LEAD	1	
12	36651-06L00	CLAMP,LEAD WIRE	1	
13	09407-14407	CLAMP (L:145)	1	

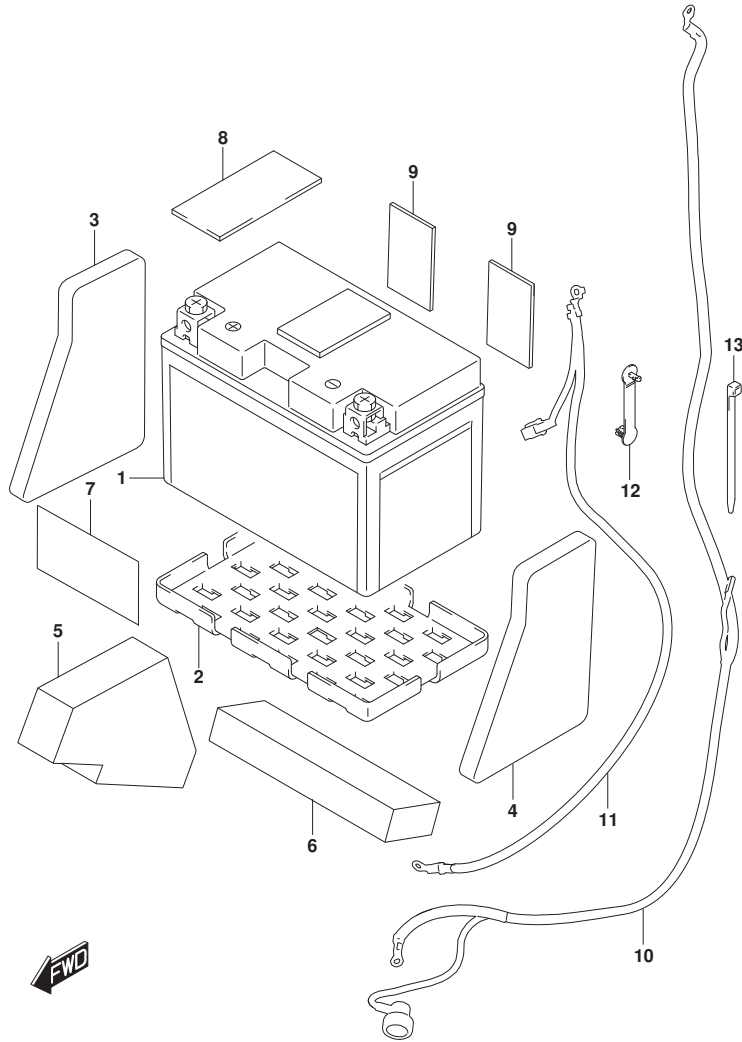


FIG.310C

FIG.310C (1-D-9) BATTERY (DL1050RJ)

REF NO.	PART NO.	DESCRIPTION	Q'TY	REMARKS
1	33620-31J01	BATTERY ASSY (FTZ14S,12V/11.2A H)	1	
2	33652-16G00	PROTECTOR,BATTERY	1	
3	33652-06L10	CUSHION,BATTERY RH	1	
4	33652-06L00	CUSHION,BATTERY LH	1	
5	33652-06L20	CUSHION,BATTERY	1	
6	33652-06L30	CUSHION,BATTERY	1	
7	33652-28C00	PROTECTOR (40X85X3)	1	
8	33652-36000	CUSHION (30X50X3)	1	
9	51553-15D40	CUSHION (50X42X2.0)	1	
10	33810-06LJ0	WIRE,STARTER MOTOR LEAD	1	
11	33860-06LJ0	WIRE,BATTERY MINUS LEAD	1	
12	36651-06L00	CLAMP,LEAD WIRE	1	

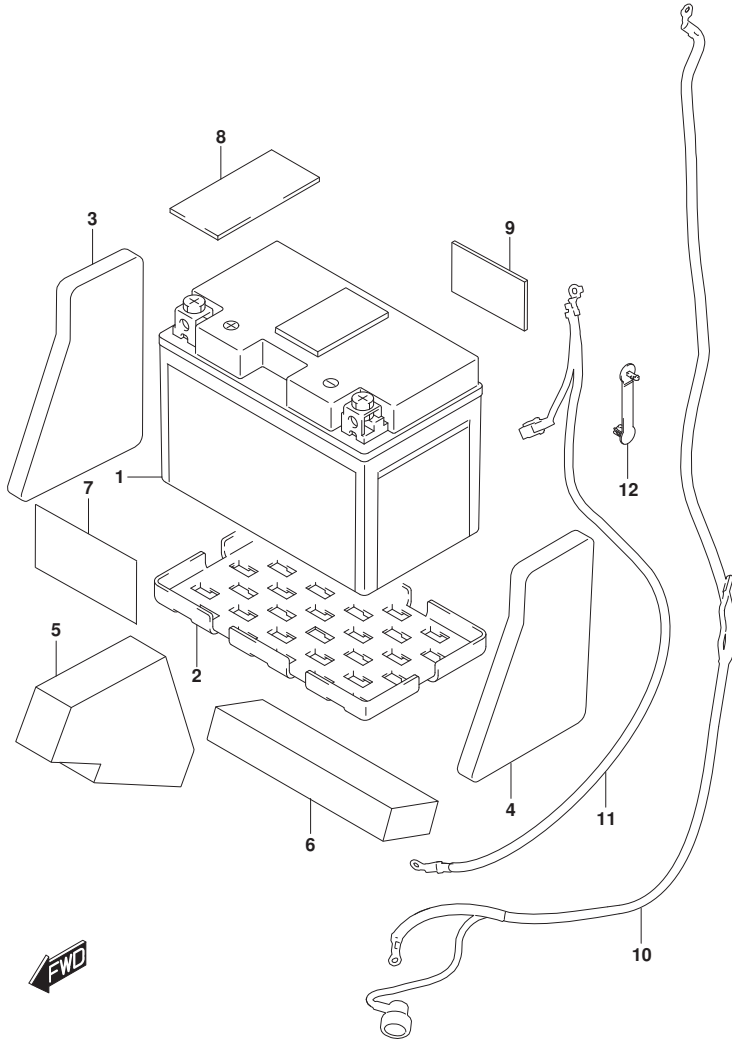


FIG.312A

FIG.312A (1-D-10) ELECTRICAL (DL1050RR)

REF NO.	PART NO.	DESCRIPTION	Q'TY	REMARKS
1	31800-06G02	RELAY ASSY,STARTING MOTOR	1	
2	31861-47E00	.COVER	1	
3	09481-30101	.FUSE (30A)	2	
4	44552-24B00	MOLDING,FUEL TANK (L:110)	1	
5	09128-06013	SCREW (6X8)	2	
6	32800-31J00	RECTIFIER ASSY	1	
7	08319-3106A	NUT	2	
8	45517-16G20	TAPE,FUEL TANK (30X40X0.2)	1	
9	09106-06088	BOLT (6X35)	6	
10	09106-06120	BOLT (6X40)	2	
11	09159-06096	NUT	8	
12	33410-06G01	COIL ASSY,IGNITION	1	
13	33410-06L00	COIL ASSY,IGNITION REAR	1	
14	33410-20H01	COIL ASSY,IGNITION	1	
15	33410-26G01	COIL ASSY,IGNITION	1	
16	13412-06L00	SHIELD,IGNITION COIL	1	
17	09180-06195	SPACER (6.4X10X18)	4	
18	09180-06198	SPACER (6.2X12X16)	4	
19	09180-06255	SPACER (6.5X9X3.8)	2	
20	09408-00235	CLAMP	1	
21	33510-31G00	CAP ASSY,SPARK PLUG	2	
22	33510-31G10	CAP ASSY,SPARK PLUG	2	
23	33542-06G00	SEAL,HT CORD RR	1	
24	33542-06G10	SEAL,HT CORD FR	1	
25	33542-38B00	SEAL,HIGH TENSION CORD (SIDE)	2	
26	32910-06L00	ECM,BLANK	1	
27	33651-37000	PROTECTOR (170X95X3.0)	2	
28	33652-39000	PROTECTOR,BATTERY (30X25X3)	1	
29	32943-06L00	SHEET,CONTROL UNIT FI	1	

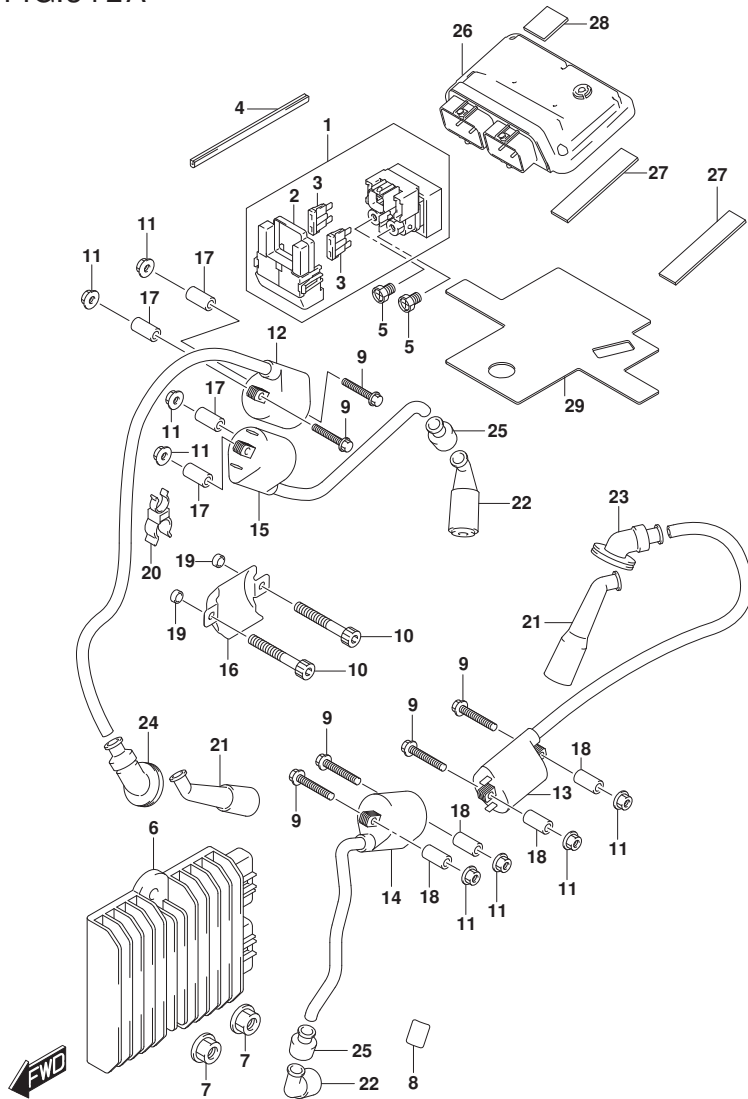


FIG.312D

FIG.312D (1-D-11) ELECTRICAL (DL1050RJ)

REF NO.	PART NO.	DESCRIPTION	Q'TY	REMARKS
1	31800-06G02	RELAY ASSY,STARTING MOTOR	1	
2	31861-47E00	.COVER	1	
3	09481-30101	.FUSE (30A)	2	
4	44552-24B00	MOLDING,FUEL TANK (L:110)	1	
5	09128-06013	SCREW (6X8)	2	
6	32800-31J00	RECTIFIER ASSY	1	
7	08319-3106A	NUT	2	
8	45517-16G20	TAPE,FUEL TANK (30X40X0.2)	1	
9	09106-06088	BOLT (6X35)	6	
10	09106-06120	BOLT (6X40)	2	
11	09159-06096	NUT	8	
12	33410-06G01	COIL ASSY,IGNITION	1	
13	33410-06L00	COIL ASSY,IGNITION REAR	1	
14	33410-20H01	COIL ASSY,IGNITION	1	
15	33410-26G01	COIL ASSY,IGNITION	1	
16	13412-06L00	SHIELD,IGNITION COIL	1	
17	09180-06195	SPACER (6.4X10X18)	4	
18	09180-06198	SPACER (6.2X12X16)	4	
19	09180-06255	SPACER (6.5X9X3.8)	2	
20	09408-00235	CLAMP	1	
21	33510-31G00	CAP ASSY,SPARK PLUG	2	
22	33510-31G10	CAP ASSY,SPARK PLUG	2	
23	33542-06G00	SEAL,HT CORD RR	1	
24	33542-06G10	SEAL,HT CORD FR	1	
25	33542-38B00	SEAL,HIGH TENSION CORD (SIDE)	2	
26	32910-06L00	ECM,BLANK	1	
27	33651-37000	PROTECTOR (170X95X3.0)	2	
28	11177-48G00	CUSHION,HEAD COVER CAP	1	
29	32943-06L00	SHEET,CONTROL UNIT FI	1	

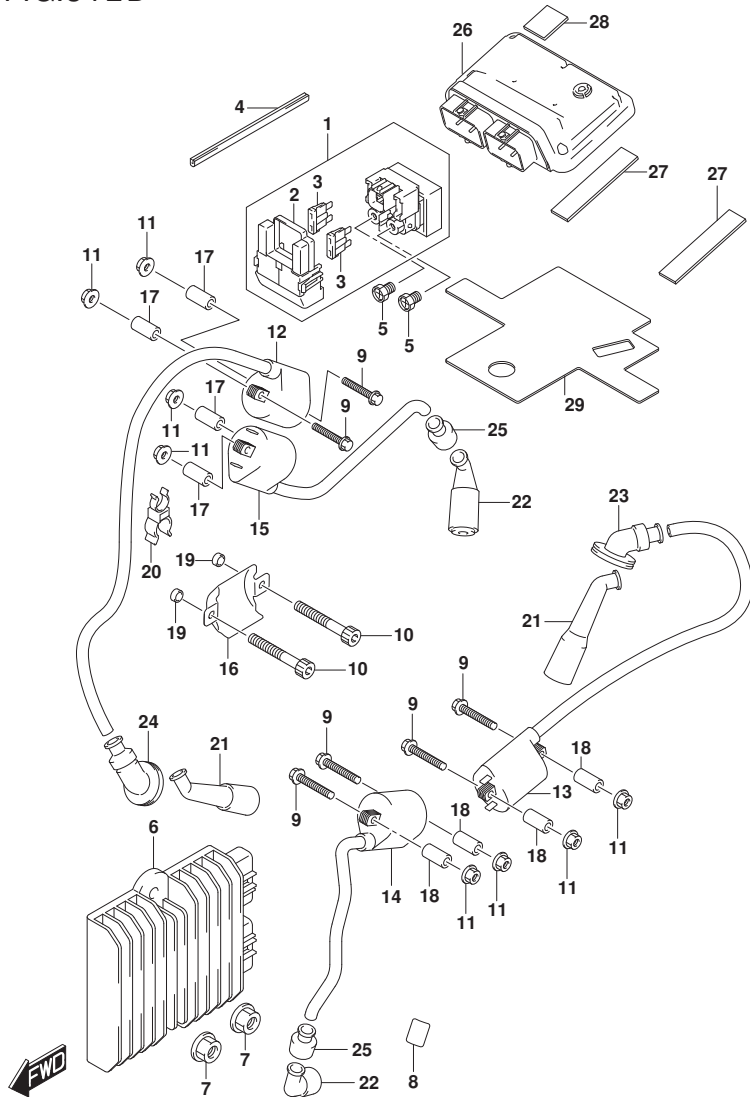


FIG.330A



FIG.330A (1-D-12) SPEEDOMETER (DL1050RR)

REF NO.	PART NO.	DESCRIPTION	Q'TY	REMARKS
1	34100-06LJ0	SPEEDOMETER ASSY	1	
2	34187-48K01	SPACER,SPEEDOMETER	4	
3	34955-10L10	CUSHION,SPEEDOMETER	4	
4	09116-05030	BOLT,SPEEDOMETER	4	
5	#95643-58J00	SENSOR,AIR TEMP	1	

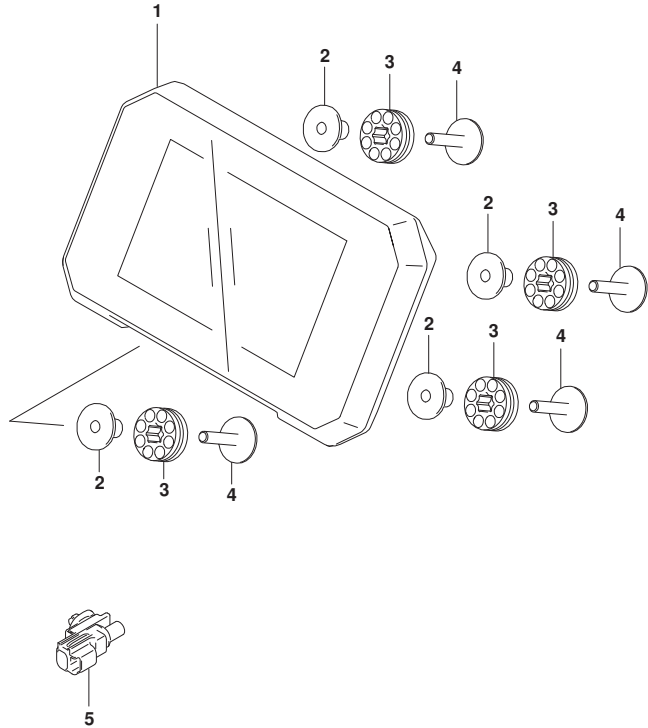


FIG.330E



FIG.330E (1-D-13) SPEEDOMETER (DL1050RJ)

REF NO.	PART NO.	DESCRIPTION	Q'TY	REMARKS
1	34100-06LN0	SPEEDOMETER ASSY	1	
2	34187-48K01	SPACER, SPEEDOMETER	4	
3	34955-10L10	CUSHION, SPEEDOMETER	4	
4	09116-05030	BOLT, SPEEDOMETER	4	
5	#95643-58J00	SENSOR, AIR TEMP	1	

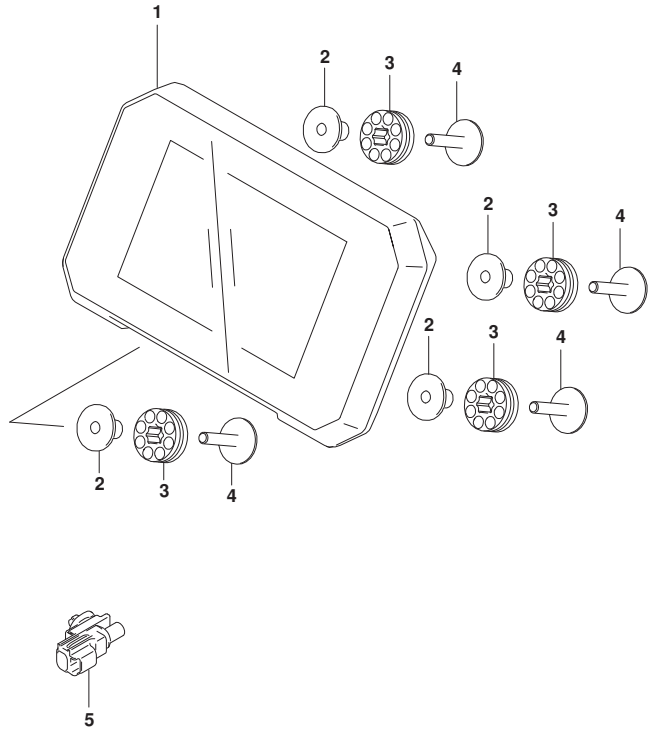


FIG.333A

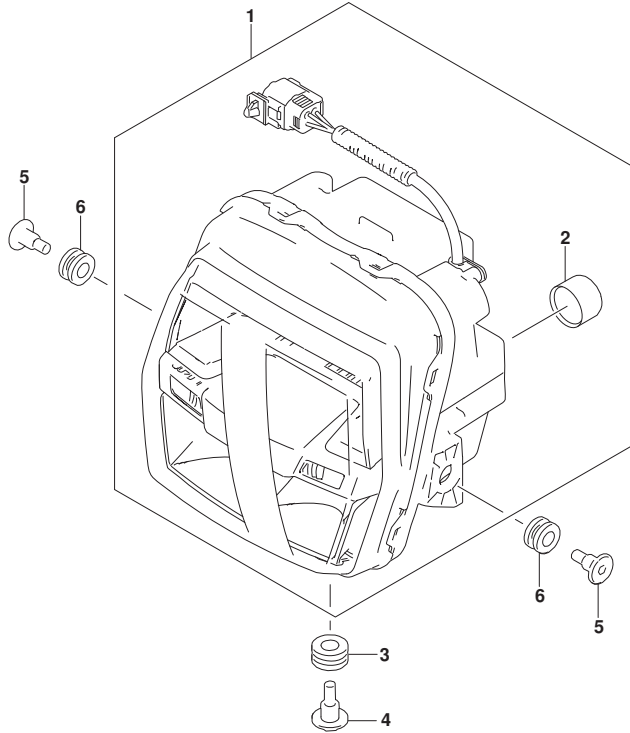


FIG.333A (1-D-14) HEADLAMP

REF NO.	PART NO.	DESCRIPTION	QTY	REMARKS
1	35100-07L11	HEADLAMP ASSY	1	
2	35529-77R00	.CAP	1	
3	09320-10078	CUSHION (10X20X10)	1	
4	09139-06231	BOLT,HEADLAMP	1	
5	09139-06232	BOLT,HEADLAMP	2	
6	09320-09501	CUSHION (9X18X10)	2	



FIG.334A

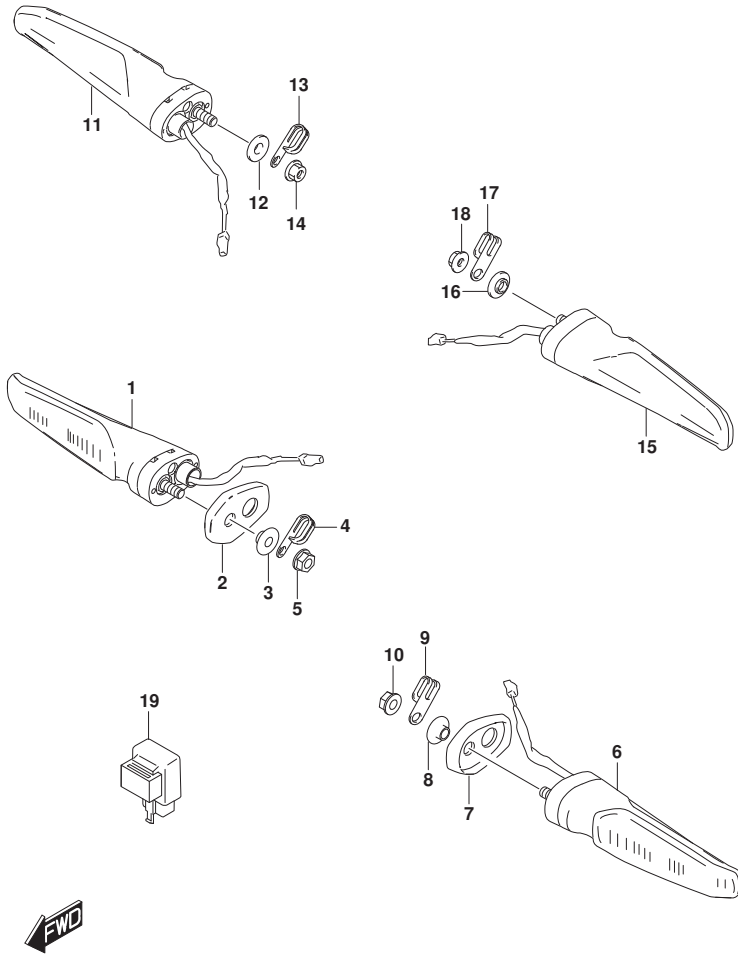


FIG.334A (1-D-15) TURNSIGNAL LAMP (DL1050RJ)

REF NO.	PART NO.	DESCRIPTION	Q'TY	REMARKS
1	35601-06LD0	LAMP ASSY,FRONT TURNSIGNAL,R	1	
2	35690-06L00	CUSHION,TURNSIGNAL	1	
3	09169-06098	WASHER	1	
4	09404-06429	CLAMP (L:45)	1	
5	08316-1006A	NUT (6X12)	1	
6	35602-06LD0	LAMP ASSY,FRONT TURNSIGNAL,L	1	
7	35690-06L00	CUSHION,TURNSIGNAL	1	
8	09169-06098	WASHER	1	
9	09404-06429	CLAMP (L:45)	1	
10	08316-1006A	NUT (6X12)	1	
11	35603-06LD0	LAMP ASSY,REAR TURNSIGNAL,R	1	
12	09169-06100	WASHER,FRONT TURNSIGNAL	1	
13	09404-06429	CLAMP (L:45)	1	
14	08316-1006A	NUT (6X12)	1	
15	35604-06LD0	LAMP ASSY,REAR TURNSIGNAL,L	1	
16	09169-06100	WASHER,FRONT TURNSIGNAL	1	
17	09404-06429	CLAMP (L:45)	1	
18	08316-1006A	NUT (6X12)	1	
19	38610-06L00	RELAY ASSY,TURNSIGNAL	1	



FIG.334B

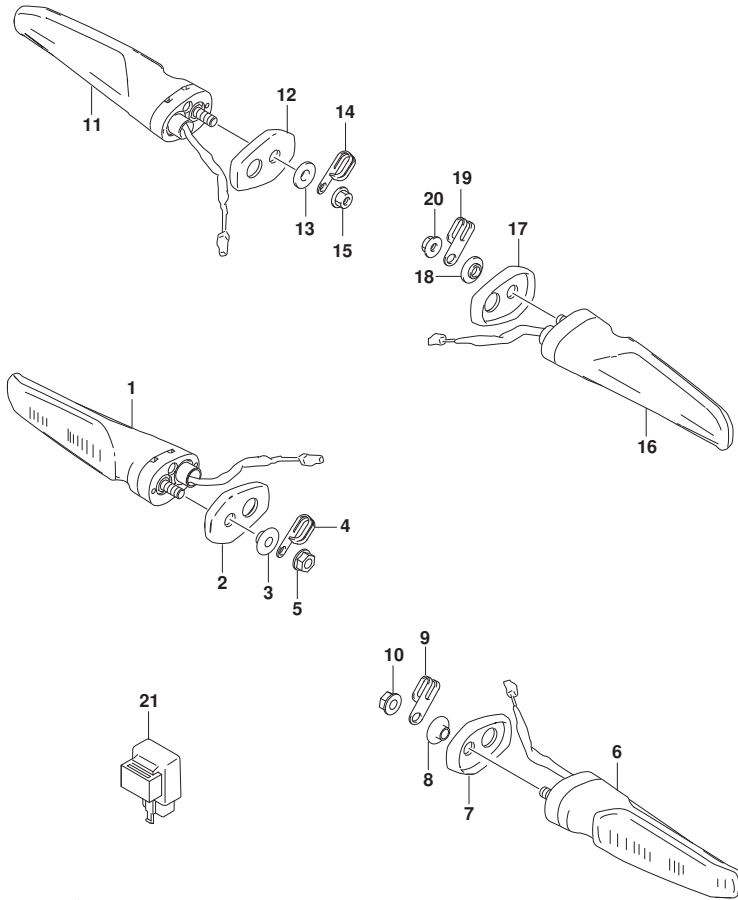


FIG.334B (1-D-16) TURNSIGNAL LAMP (DL1050RR)

REF NO.	PART NO.	DESCRIPTION	Q'TY	REMARKS
1	35601-06LD0	LAMP ASSY,FRONT TURNSIGNAL,R	1	
2	35690-06L00	CUSHION,TURNSIGNAL	1	
3	09169-06098	WASHER	1	
4	09404-06429	CLAMP (L:45)	1	
5	08316-1006A	NUT (6X12)	1	
6	35602-06LD0	LAMP ASSY,FRONT TURNSIGNAL,L	1	
7	35690-06L00	CUSHION,TURNSIGNAL	1	
8	09169-06098	WASHER	1	
9	09404-06429	CLAMP (L:45)	1	
10	08316-1006A	NUT (6X12)	1	
11	35603-06LD0	LAMP ASSY,REAR TURNSIGNAL,R	1	
12	35690-06L00	CUSHION,TURNSIGNAL	1	
13	09169-06098	WASHER	1	
14	09404-06429	CLAMP (L:45)	1	
15	08316-1006A	NUT (6X12)	1	
16	35604-06LD0	LAMP ASSY,REAR TURNSIGNAL,L	1	
17	35690-06L00	CUSHION,TURNSIGNAL	1	
18	09169-06098	WASHER	1	
19	09404-06429	CLAMP (L:45)	1	
20	08316-1006A	NUT (6X12)	1	
21	38610-06L00	RELAY ASSY,TURNSIGNAL	1	



FIG.339A

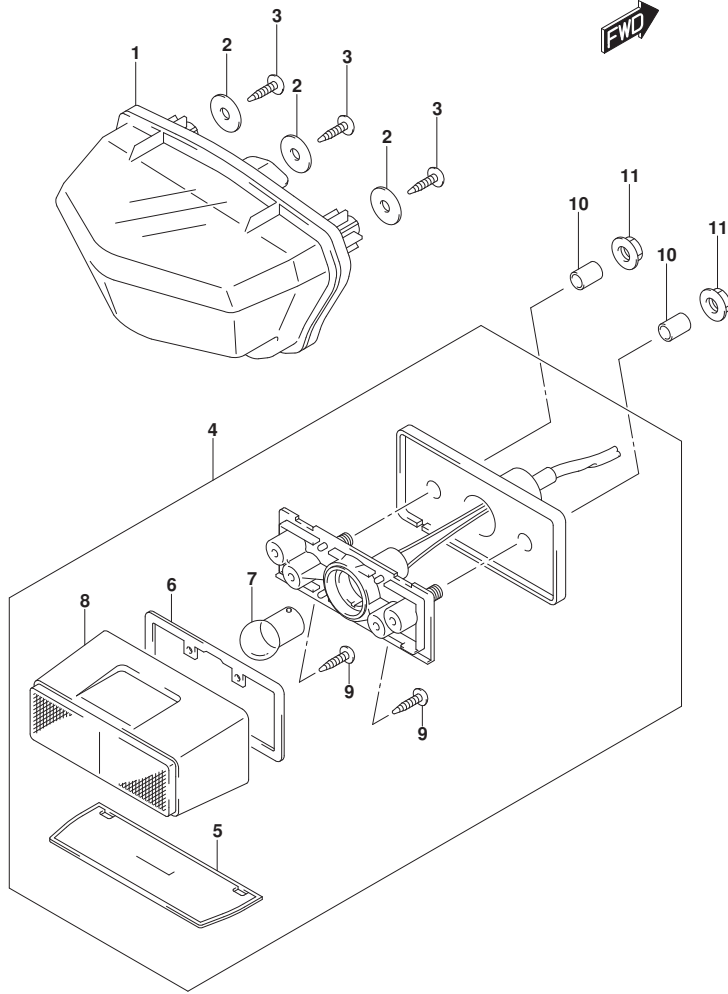


FIG.339A (1-E-2) REAR COMBINATION LAMP

REF NO.	PART NO.	DESCRIPTION	Q'TY	REMARKS
1	35710-31JA0	LAMP ASSY,REAR COMB	1	
2	09160-05501	WASHER (5.5X20X1.2)	3	
3	03541-0516A	SCREW	3	
4	35910-41GB2	LAMP ASSY,LICENSE	1	
5	35912-41G01	.LENS,LICENSE	1	
6	35913-41G00	.GASKET	1	
7	09471-12140	.BULB (12V5W)	1	
8	35917-41G00	.COVER,LICENSE LAMP	1	
9	03211-0416A	.SCREW	2	
10	09180-06263	SPACER (6.5X9X9)	2	
11	09159-06096	NUT	2	

FIG.350B

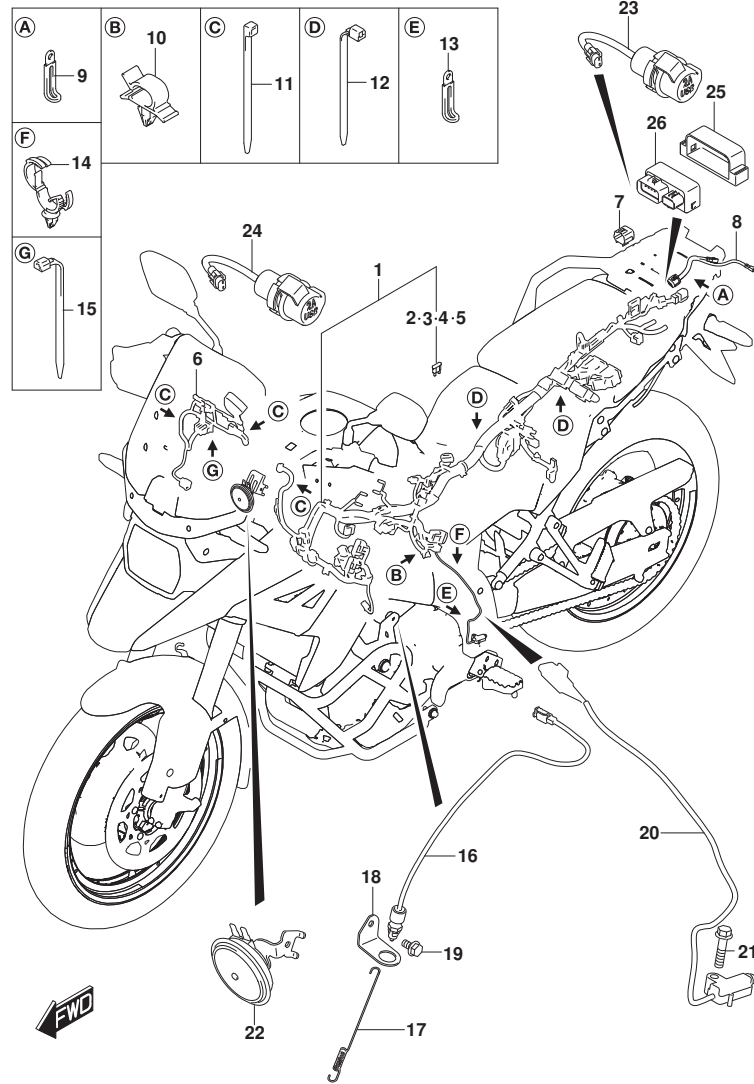


FIG.350B (1-E-3) WIRING HARNESS (DL1050RR)

REF NO.	PART NO.	DESCRIPTION	Q'TY	REMARKS
1	36610-06L50	HARNESS,WIRING	1	
2	09481-05501	.FUSE (5A)	1	
3	09481-10504	.FUSE (10A)	5	
4	09481-15504	.FUSE (15A)	3	
5	09481-30504	.FUSE (30A)	1	
6	36620-06L10	HARNESS,WIRING NO.2	1	
7	36654-28K00	CAP,OBD CONNECTOR	1	
8	36856-06L00	WIRE,REAR TURN SIGNAL LEAD	1	
9	09404-06429	CLAMP (L:45)	1	
10	09403-10319	CLAMP	1	
11	09407-14407	CLAMP (L:145)	8	
12	09407-19401	CLAMP (L:190)	2	
13	09404-08211	CLAMP (L:45)	1	
14	09403-13311	CLAMP	1	
15	09407-14403	CLAMP (L:125)	1	
16	37740-06L00	SWITCH ASSY,STOP LAMP	1	
17	43259-31J00	SPRING,STOP LAMP SWITCH	1	
18	43251-31J00	BRACKET,STOP LAMP SWITCH	1	
19	01550-0612A	BOLT	1	
20	37840-06L00	SWITCH ASSY,SIDE STAND	1	
21	09103-08357	BOLT (8X35)	1	
22	38500-06L00	HORN ASSY	1	
23	38850-31J00	TERMINAL,POWER SOURCE	1	
24	39105-06L00	SOCKET,USB	1	
25	36744-06L10	HOLDER,RELAY	1	
26	38860-06L00	RELAY ASSY	1	

FIG.350E

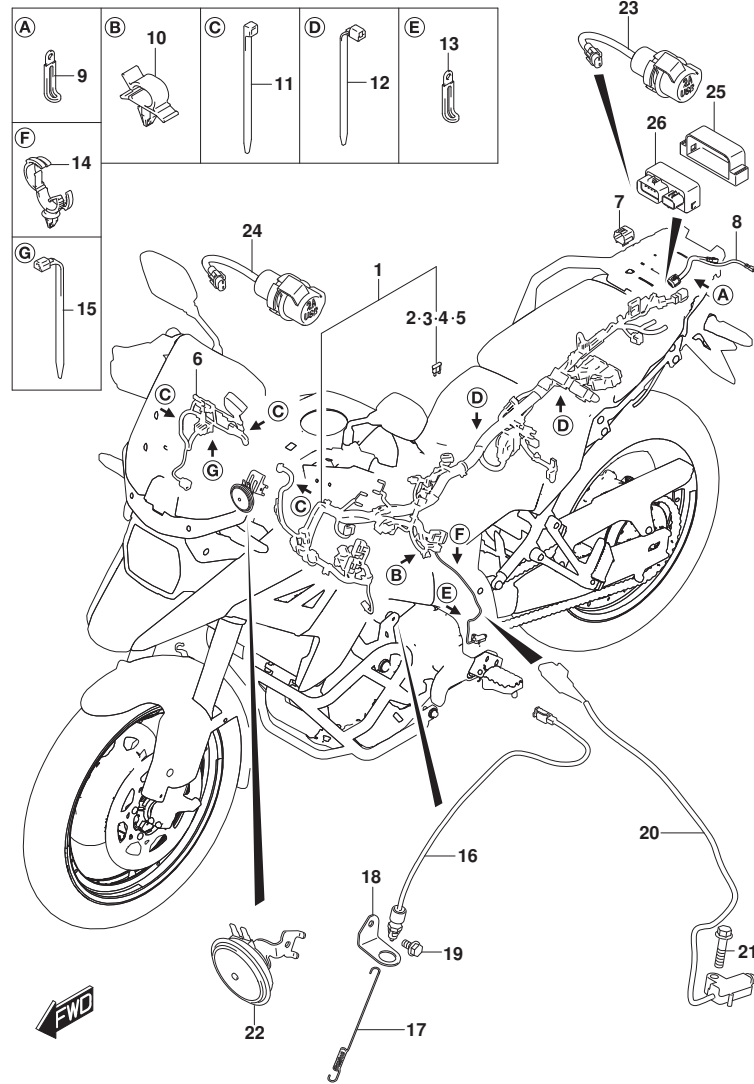


FIG.350E (1-E-4) WIRING HARNESS (DL1050RJ)

REF NO.	PART NO.	DESCRIPTION	Q'TY	REMARKS
1	36610-06LK0	HARNESS,WIRING	1	
2	09481-05501	.FUSE (5A)	1	
3	09481-10504	.FUSE (10A)	5	
4	09481-15504	.FUSE (15A)	3	
5	09481-30504	.FUSE (30A)	1	
6	36620-06L10	HARNESS,WIRING NO.2	1	
7	36654-28K00	CAP,OBD CONNECTOR	1	
8	36856-06LJ0	WIRE,REAR TURN SIGNAL LEAD	1	
9	09404-06429	CLAMP (L:45)	1	
10	09403-10319	CLAMP	1	
11	09407-14407	CLAMP (L:145)	8	
12	09407-19401	CLAMP (L:190)	2	
13	09404-08211	CLAMP (L:45)	1	
14	09403-13311	CLAMP	1	
15	09407-14403	CLAMP (L:125)	1	
16	37740-06L00	SWITCH ASSY,STOP LAMP	1	
17	43259-31J00	SPRING,STOP LAMP SWITCH	1	
18	43251-31J00	BRACKET,STOP LAMP SWITCH	1	
19	01550-0612A	BOLT	1	
20	37840-06L00	SWITCH ASSY,SIDE STAND	1	
21	09103-08357	BOLT (8X35)	1	
22	38500-06L00	HORN ASSY	1	
23	38850-31J00	TERMINAL,POWER SOURCE	1	
24	39105-06L00	SOCKET,USB	1	
25	36744-06L10	HOLDER,RELAY	1	
26	38860-06L00	RELAY ASSY	1	

FIG.352A

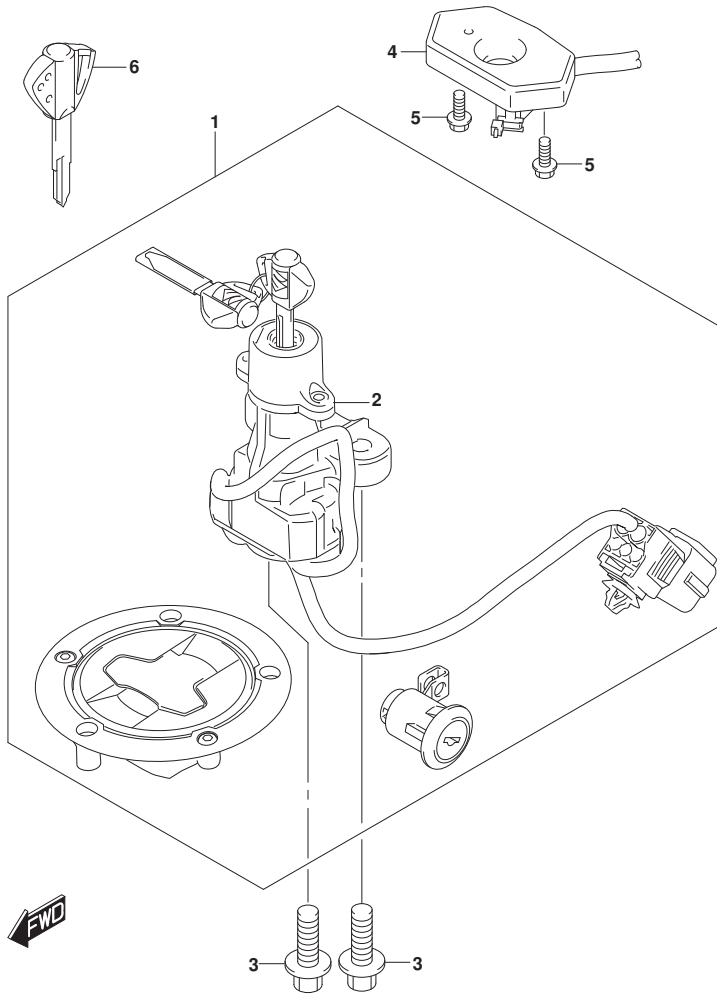


FIG.352A (1-E-5) LOCK SET (DL1050RR)

REF NO.	PART NO.	DESCRIPTION	Q'TY	REMARKS
1	37101-06811	LOCK SET	1	
2	37100-06L01	.LOCK ASSY,STEERING	1	
3	37152-17K00	BOLT,STEERING LOCK (8X20)	2	
4	37180-06L22	ANTENNA ASSY,IMMOBILIZER	2	
5	01547-0512B	BOLT	2	
6	37146-13K00	KEY,BLANK	2	OPT

FIG.352C

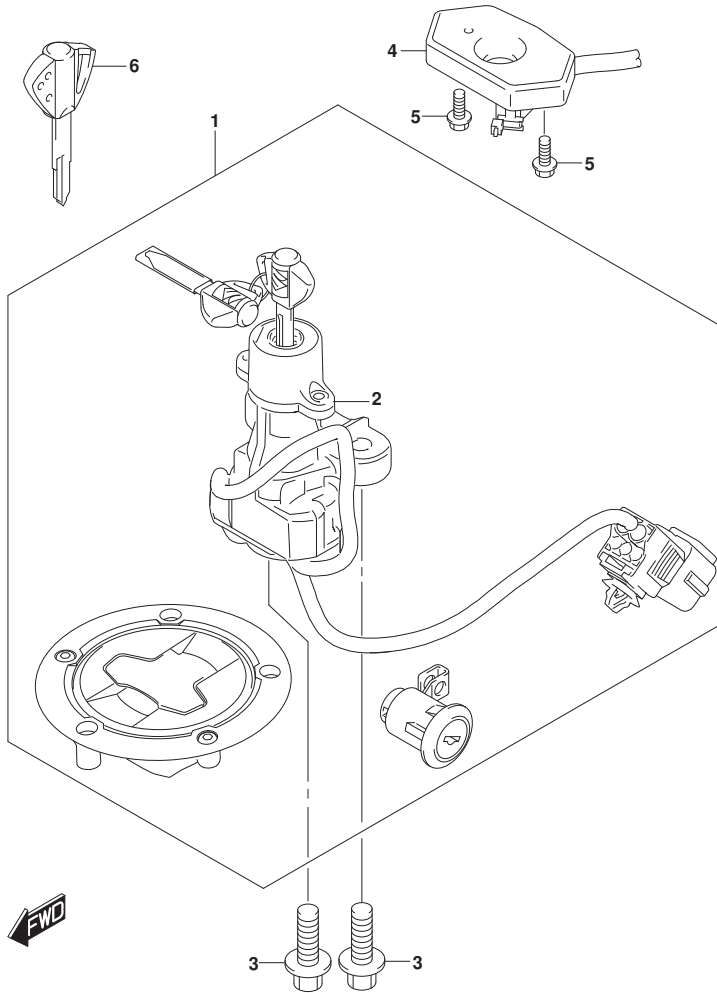


FIG.352C (1-E-6) LOCK SET (DL1050RJ)

REF NO.	PART NO.	DESCRIPTION	Q'TY	REMARKS
1	37101-06811	LOCK SET	1	
2	37100-06L01	.LOCK ASSY,STEERING	1	
3	37152-17K00	BOLT,STEERING LOCK (8X20)	2	
4	37180-06L22	ANTENNA ASSY,IMMOBILIZER	2	
5	01547-0512B	BOLT	2	
6	37146-13K00	KEY,BLANK	4	OPT

FIG.355A



FIG.355A (1-E-7) HANDLE SWITCH (DL1050RR)

REF NO.	PART NO.	DESCRIPTION	Q'TY	REMARKS
1	37400-06L01	SWITCH ASSY,HANDLE,L	1	
2	36990-06L00	CLAMP,HANDLE SWITCH (L:145)	3	

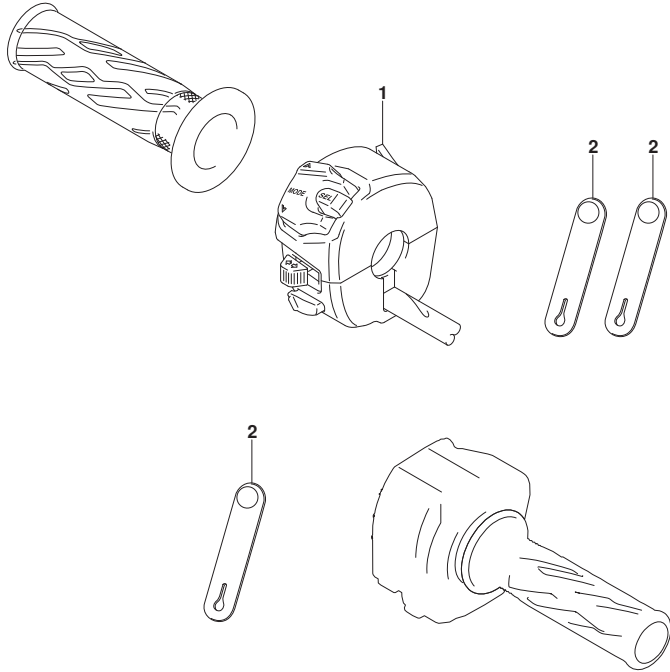


FIG.355B



FIG.355B (1-E-8) HANDLE SWITCH (DL1050RJ)

REF NO.	PART NO.	DESCRIPTION	Q'TY	REMARKS
1	37400-06L20	SWITCH ASSY,HANDLE,L	1	
2	36990-06L00	CLAMP,HANDLE SWITCH (L:145)	3	

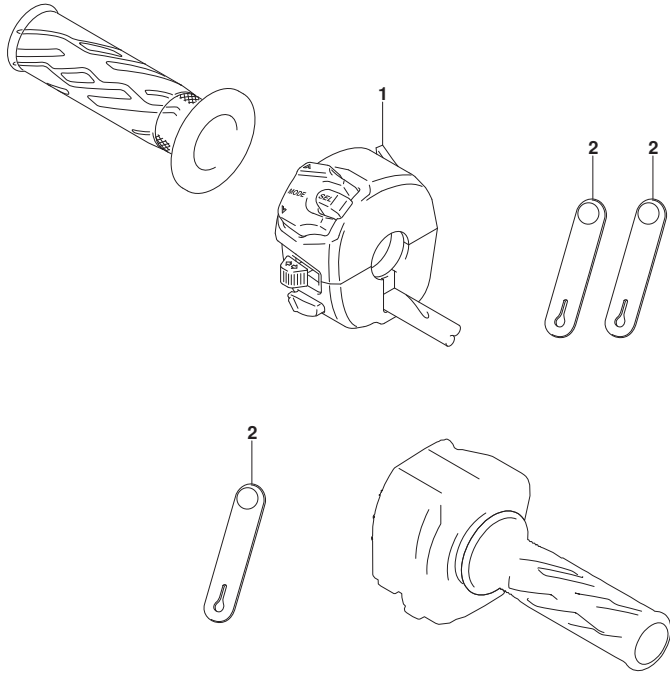


FIG.401A

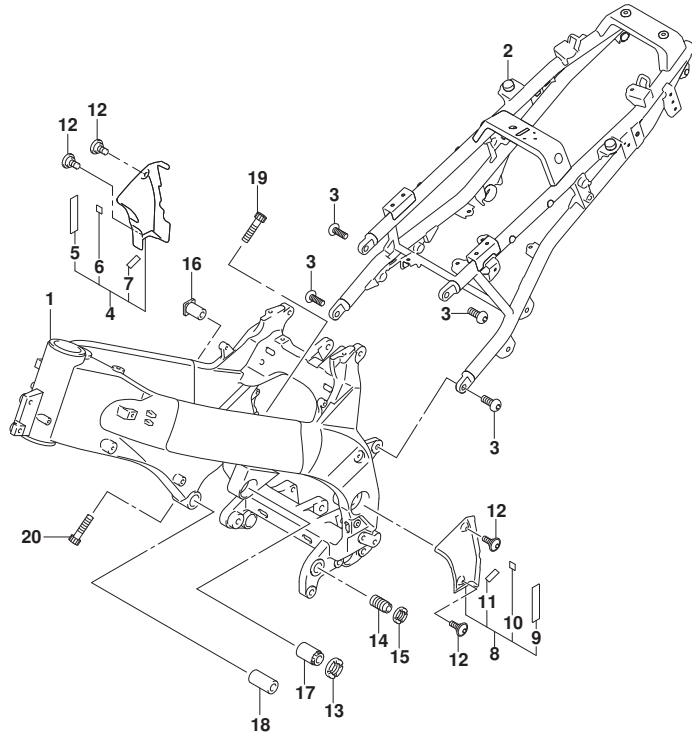


FIG.401A (1-E-9) FRAME

REF NO.	PART NO.	DESCRIPTION	Q'TY	REMARKS
1	41100-31J30-YAP	FRAME (BLACK)	1	
2	41200-31J40-YAP	RAIL,SEAT (BLACK)	1	
3	09139-10006	BOLT,SEAT RAIL	4	
4	43580-31J00	COVER,PIVOT RH	1	
5	33652-38A10	.PROTECTOR (20X90X2.0)	1	
6	63115-37H00	.CUSHION (10X10X1)	1	
7	94429-21E00	.CUSHION,PIVOT COVER NO.2 (10X30X2)	1	
8	43590-31J00	COVER,PIVOT LH	1	
9	33652-38A10	.PROTECTOR (20X90X2.0)	1	
10	63115-37H00	.CUSHION (10X10X1)	1	
11	94429-21E00	.CUSHION,PIVOT COVER NO.2 (10X30X2)	1	
12	09139-05092	SCREW (5X13)	4	
13	41922-19F20	NUT,CRANK CASE ADJUST CTR	1	
14	41921-16G10	BOLT,CRANK CASE ADJUST LWR	1	
15	41922-33E20	NUT,CRANK CASE ADJUST LWR	1	
16	41921-47H00	BOLT,CRANK CASE ADJUST	1	
17	41941-19F01	SPACER,MOUNTING REAR UPPER RH	1	
18	41942-02F00	SPACER,ENG HEAD MTG,RR LH	1	
19	07130-0840B	BOLT	1	
20	07130-0840B	BOLT	1	



FIG.406A

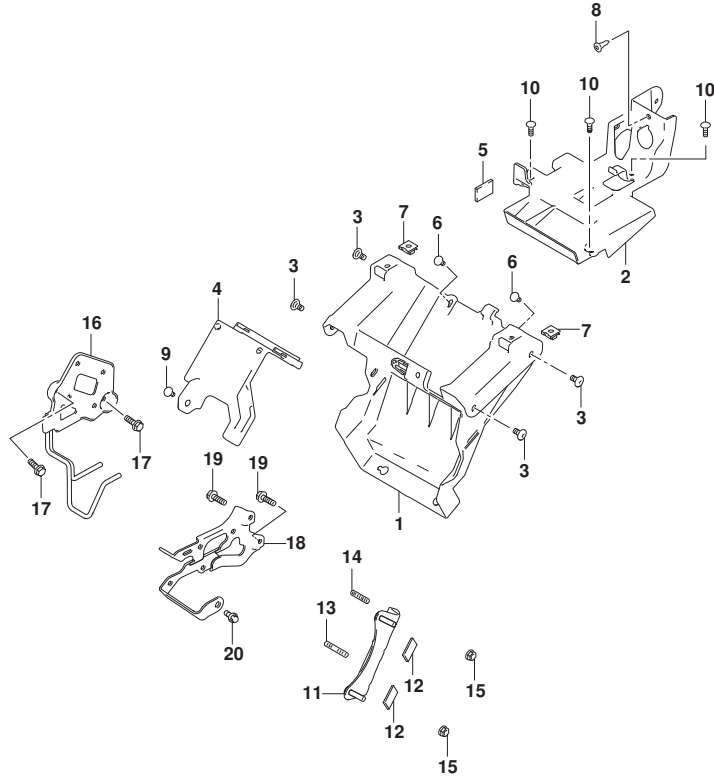


FIG.406A (1-E-10) HOLDER (DL1050RR)

REF NO.	PART NO.	DESCRIPTION	Q'TY	REMARKS
1	47414-06L00	HOLDER,BATTERY	1	
2	47415-06L00	HOLDER,ELECTRIC PARTS	1	
3	47416-06L00	BOLT,BATTERY HOLDER	4	
4	47431-06L00	LID,BATTERY HOLDER	1	
5	47512-10D00	CUSHION (20X20X2)	1	
6	47912-31J00	SCREW (5X13)	2	
7	09148-06018	NUT	2	
8	09409-06314	CLIP (5.9X20.5)	1	
9	03541-0512B	SCREW	1	
10	03541-0516A	SCREW	3	
11	47410-06L00	BRACKET,RECTIFIER	1	
12	48128-14FA0	CUSHION (10X24X1)	2	
13	01421-0616A	BOLT,STUD	1	
14	01421-0625B	BOLT,STUD	1	
15	08316-1006A	NUT (6X12)	2	
16	47420-06L00	BRACKET,IGNITION COIL RH	1	
17	01550-0620A	BOLT	2	
18	47420-06L10	BRACKET,IGNITION COIL LH	1	
19	01550-0620A	BOLT	2	
20	01550-0620B	BOLT	1	



FIG.406C

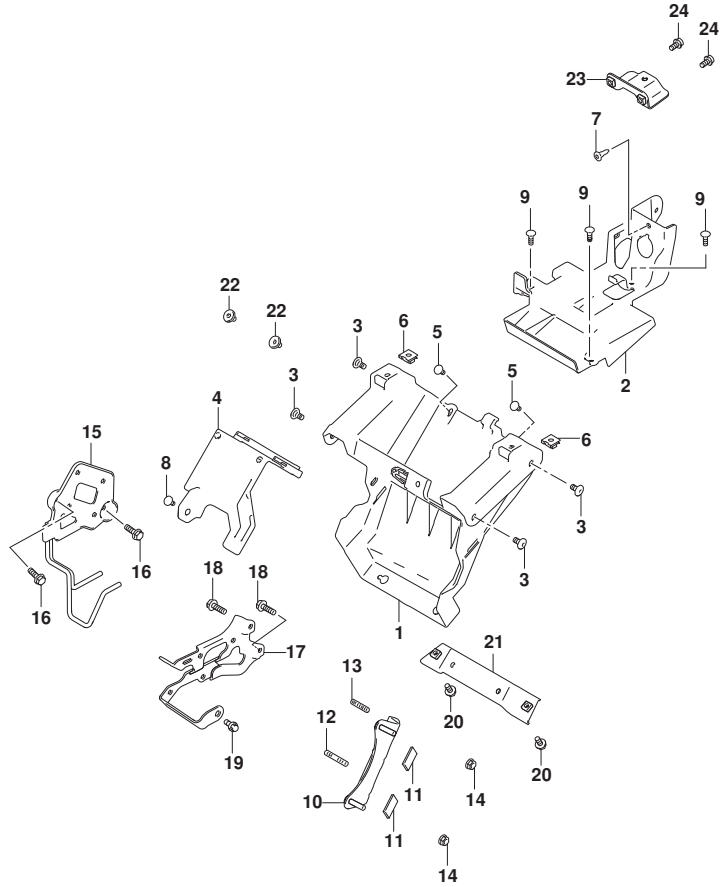


FIG.406C (1-E-11) HOLDER (DL1050RJ)

REF NO.	PART NO.	DESCRIPTION	Q'TY	REMARKS
1	47414-06L10	HOLDER,BATTERY	1	
2	47415-06L10	HOLDER,ELECTRIC PARTS	1	
3	47416-06L00	BOLT,BATTERY HOLDER	4	
4	47431-06L00	LID,BATTERY HOLDER	1	
5	47912-31J00	SCREW (5X13)	2	
6	09148-06018	NUT	2	
7	09409-06314	CLIP (5.9X20.5)	1	
8	03541-0512B	SCREW	1	
9	03541-0516A	SCREW	3	
10	47410-06L00	BRACKET,RECTIFIER	1	
11	48128-14FA0	CUSHION (10X24X1)	2	
12	01421-0616A	BOLT,STUD	1	
13	01421-0625B	BOLT,STUD	1	
14	08316-1006A	NUT (6X12)	2	
15	47420-06L00	BRACKET,IGNITION COIL RH	1	
16	01550-0620A	BOLT	2	
17	47420-06L10	BRACKET,IGNITION COIL LH	1	
18	01550-0620A	BOLT	2	
19	01550-0620B	BOLT	1	
20	01550-0612B	BOLT	2	
21	47440-06L10	BRACKET,BATTERY HOLDER	1	
22	09139-06225	SCREW (6X12)	2	
23	63120-06L10	BRACKET,REAR FENDER	1	
24	07120-0612A	BOLT	2	



FIG.407A

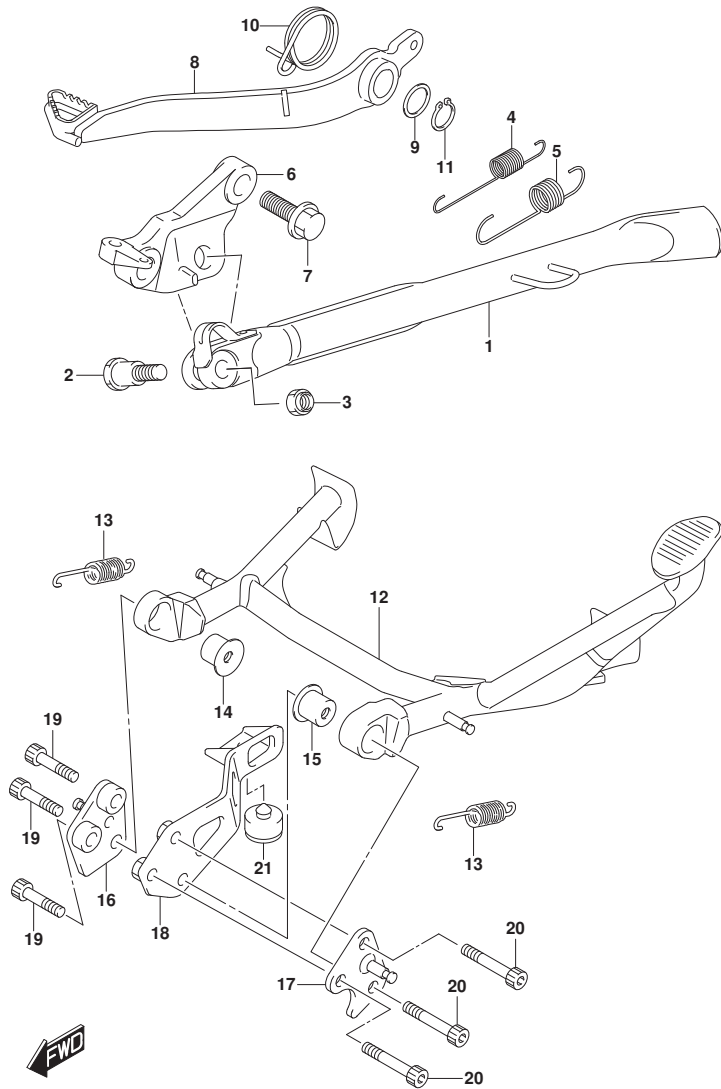


FIG.407A (1-E-12) STAND (DL1050RR)

REF NO.	PART NO.	DESCRIPTION	Q'TY	REMARKS
1	42310-31J01	STAND,PROP	1	
2	09111-10058	BOLT (10X37.5)	1	
3	42321-03FK0	NUT,PROP STAND	1	
4	09443-14058	SPRING	1	
5	09443-19011	SPRING	1	
6	42330-31J00	BRACKET,PROP STAND	1	
7	01550-1235B	BOLT,PROP STAND BRACKET	2	
8	43111-06L10	PEDAL,BRAKE	1	
9	09160-18022	WASHER (18X24X1.0)	1	
10	09448-41005	SPRING	1	
11	08331-3118A	CIRCLIP	1	
12	42100-31J11	STAND,CENTER	1	
13	42241-06L00	SPRING,CENTER STAND	2	
14	42253-31J10	SPACER,CENTER STAND RH	1	
15	42254-31J10	SPACER,CENTER STAND LH	1	
16	42260-06L10	PLATE,CENTER STAND RH	1	
17	42270-31J20	PLATE,CENTER STAND LH	1	
18	42290-31J10	PLATE,CENTER STAND	1	
19	01550-1035B	BOLT	3	
20	42221-06L00	BOLT,CENTER STAND LH	3	
21	09321-10046	CUSHION,CENTER STAND	1	

FIG.407C

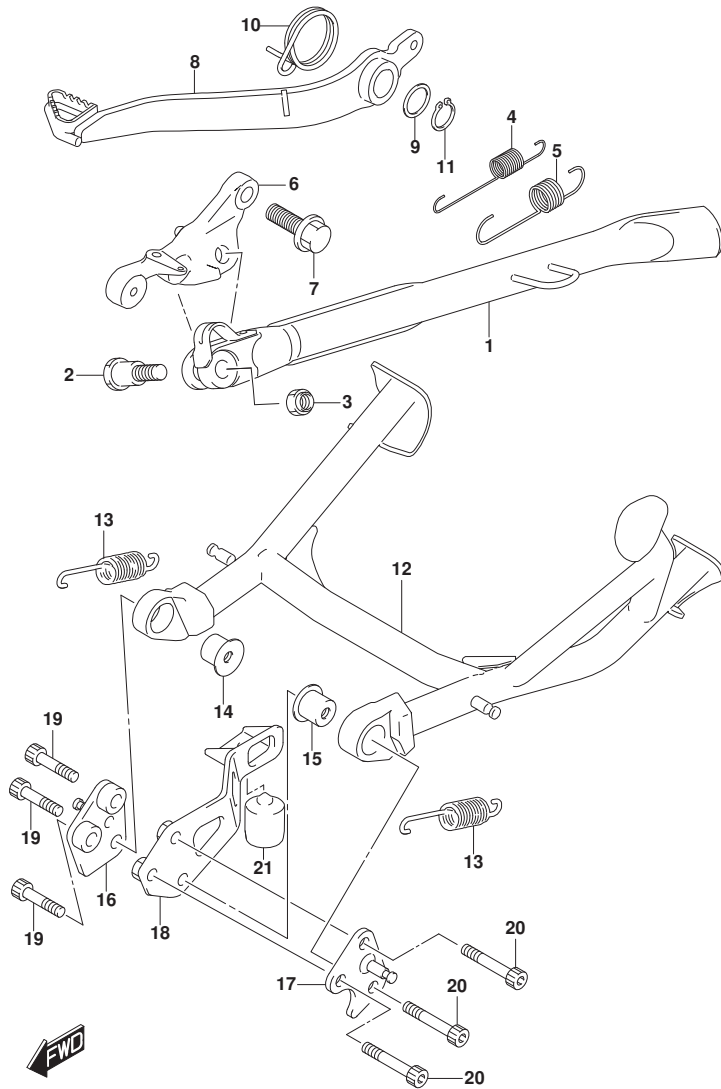


FIG.407C (1-E-13) STAND (DL1050RJ)

REF NO.	PART NO.	DESCRIPTION	Q'TY	REMARKS
1	42310-31J20	STAND,PROP	1	
2	09111-10058	BOLT (10X37.5)	1	
3	42321-03FK0	NUT,PROP STAND	1	
4	09443-14058	SPRING	1	
5	09443-19011	SPRING	1	
6	42330-06L00	BRACKET,PROP STAND	1	
7	01550-1235B	BOLT,PROP STAND BRACKET	2	
8	43111-06L00	PEDAL,BRAKE	1	
9	09160-18022	WASHER (18X24X1.0)	1	
10	09448-41006	SPRING,BRAKE PEDAL	1	
11	08331-3118A	CIRCLIP	1	
12	42100-06L00	STAND,CENTER	1	
13	42241-06L00	SPRING,CENTER STAND	2	
14	42253-31J10	SPACER,CENTER STAND RH	1	
15	42254-31J10	SPACER,CENTER STAND LH	1	
16	42260-06L10	PLATE,CENTER STAND RH	1	
17	42270-31J20	PLATE,CENTER STAND LH	1	
18	42290-31J10	PLATE,CENTER STAND	1	
19	01550-1035B	BOLT	3	
20	42221-06L00	BOLT,CENTER STAND LH	3	
21	09321-10051	CUSHION,CENTER STAND	1	

FIG.412A

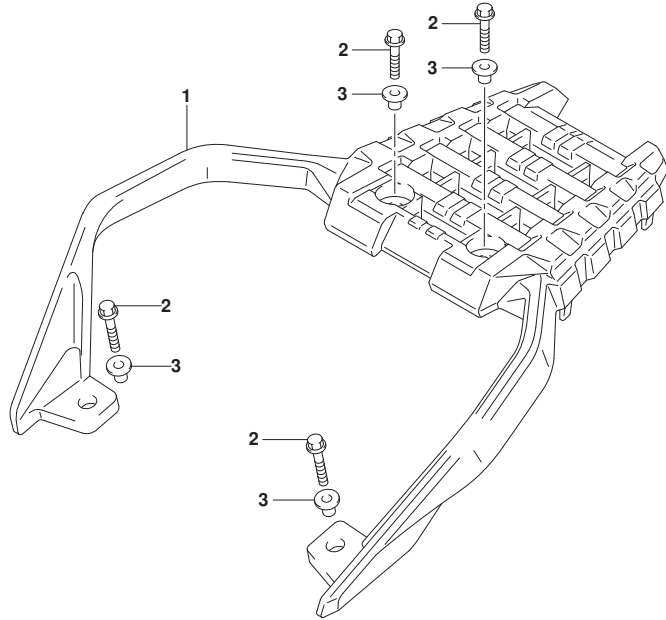


FIG.412A (1-E-14) CARRIER

REF NO.	PART NO.	DESCRIPTION	Q'TY	REMARKS
1	46311-31J20	CARRIER,SPORT	1	
2	09103-08568	BOLT,SPORT CARRIER	4	
3	09169-08053	WASHER,SPORT CARRIER	4	



FIG.415A

FIG.415A (1-E-15) FOOTREST (DL1050RR)

REF NO.	PART NO.	DESCRIPTION	Q'TY	REMARKS
1	43510-06G10-YAP	BRACKET,FR FOOTREST RH (BLACK)	1	
2	43521-06G10-YAP	BRACKET,FR FOOTREST LH (BLACK)	1	
3	09106-08200	BOLT (8X23)	4	
4	43501-31J00	FOOTREST ASSY,FRONT RH	1	
5	43576-31J00	.SENSOR,FOOTREST	1	
6	43551-06G00	.RUBBER,FOOTREST	1	
7	43552-06G00	.PLATE,FR FOOTREST RUBBER	1	
8	02142-0516A	.SCREW	1	
9	02142-0520A	.SCREW	1	
10	43502-31J00	FOOTREST ASSY,FRONT LH	1	
11	43576-31J00	.SENSOR,FOOTREST	1	
12	43551-06G00	.RUBBER,FOOTREST	1	
13	43552-06G00	.PLATE,FR FOOTREST RUBBER	1	
14	02142-0516A	.SCREW	1	
15	02142-0520A	.SCREW	1	
16	09208-08019	PIN	2	
17	09448-18022	SPRING	2	
18	08332-1106A	E-RING	2	
19	43610-34A70	BAR,PILLION FOOTREST,R	1	
20	43612-33G40	RUBBER,PILLION FOOTREST	2	
21	43631-34A01	WASHER,FOOTREST RUBBER	2	
22	43710-34A70	BAR,PILLION FOOTREST,L	1	
23	43811-31J00-YAP	BRKT,PILLION FOOTREST RH (BLAC K)	1	
24	43821-31J00-YAP	BRKT,PILLION FOOTREST LH (BLAC K)	1	
25	09106-08131	BOLT (8X30)	4	
26	09208-06010	PIN,PILLION FOOTREST	2	
27	08332-1104B	E RING	2	

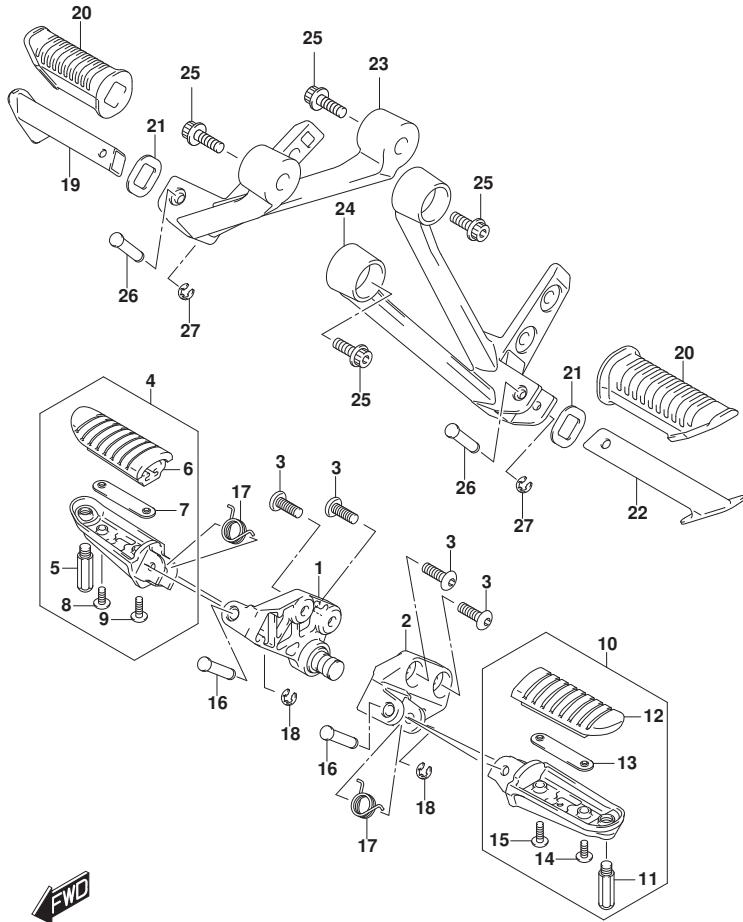


FIG.415B

FIG.415B (1-E-16) FOOTREST (DL1050RJ)

REF NO.	PART NO.	DESCRIPTION	Q'TY	REMARKS
1	43510-06G10-YAP	BRACKET,FR FOOTREST RH (BLACK)	1	
2	43521-06G10-YAP	BRACKET,FR FOOTREST LH (BLACK)	1	
3	09106-08200	BOLT (8X23)	4	
4	43501-06L10	FOOTREST ASSY,FRONT,R	1	
5	43576-48B50	.BOLT,BANK SENSOR	1	
6	43551-06L00	.RUBBER,FR FOOTREST	1	
7	43552-06L00	.PLATE,FR FOOTREST RUBBER	1	
8	43530-06L00	.BAR,FRONT FOOTREST RH	1	
9	47512-28K00	.SPACER,FR FOOTREST RUBBER	2	
10	07120-0512A	.BOLT	2	
11	43502-06L10	FOOTREST ASSY,FRONT,L	1	
12	43576-48B50	.BOLT,BANK SENSOR	1	
13	43551-06L00	.RUBBER,FR FOOTREST	1	
14	43552-06L00	.PLATE,FR FOOTREST RUBBER	1	
15	43540-06L00	.BAR,FRONT FOOTREST LH	1	
16	47512-28K00	.SPACER,FR FOOTREST RUBBER	2	
17	07120-0512A	.BOLT	2	
18	09208-08023	PIN,FRONT FOOTREST	2	
19	09448-20012	SPRING,FRONT FOOTREST	2	
20	08332-1106B	E RING	2	
21	43610-34A70	BAR,PILLION FOOTREST,R	1	
22	43612-33G40	RUBBER,PILLION FOOTREST	2	
23	43631-34A01	WASHER,FOOTREST RUBBER	2	
24	43710-34A70	BAR,PILLION FOOTREST,L	1	
25	43811-31J00-YAP	BRKT,PILLION FOOTREST RH (BLAC K)	1	
26	43821-31J00-YAP	BRKT,PILLION FOOTREST LH (BLAC K)	1	
27	09106-08131	BOLT (8X30)	4	
28	09208-06010	PIN,PILLION FOOTREST	2	
29	08332-1104B	E RING	2	

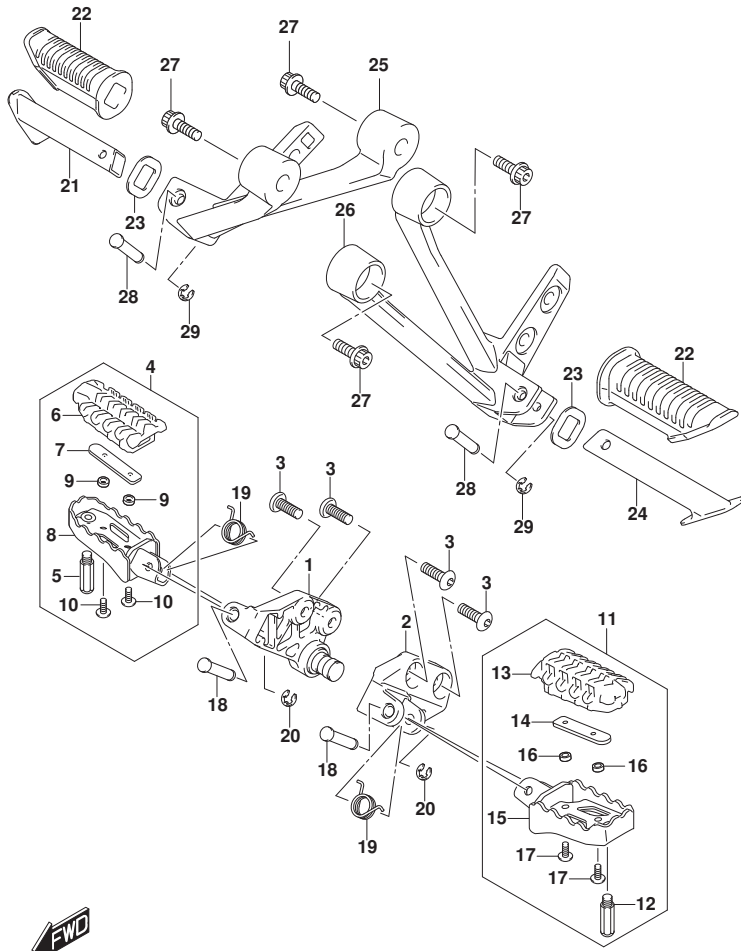


FIG.420A

FIG.420A (1-F-2) FUEL TANK (DL1050RR)

REF NO.	PART NO.	DESCRIPTION	Q'TY	REMARKS
1	44100-06L00-YKV	TANK ASSY,FUEL (BLACK)	1	
2	44121-06L00	VESSEL,FUEL TANK INNER	1	
3	44200-17840	CAP SET,FUEL TANK FILLER	1	
4	44244-11J00	BOLT,FUEL TANK FILLER CAP	3	
5	44276-21H01	CUSHION,FUEL TANK COVER	2	
6	44530-06G00	BRACKET,FUEL TANK REAR UP	1	
7	44541-31J00	CUSHION,FUEL TANK SIDE	2	
8	44542-06G00	CUSHION,FUEL TANK RR UPR	1	
9	44545-06G00	CUSHION,FUEL TANK RR LWR	1	
10	44545-06L10	CUSHION,FUEL TANK REAR	1	
11	44550-31J00	BRACKET,FUEL TANK REAR	1	
12	44552-24B00	MOLDING,FUEL TANK (L:110)	2	
13	01550-0816A	BOLT	2	
14	01550-0835A	BOLT (8X35)	1	
15	44179-06L00	BRKT,FUEL TANK COVER SIDE RH	1	
16	44183-23H00	CUSHION,TANK SIDE COVER	2	
17	44189-06L00	BRKT,FUEL TANK COVER SIDE LH	1	
18	44523-47H00	NUT (M6)	4	
19	44542-31J00	CUSHION,FUEL TANK COVER BRKT	2	
20	44556-33H10	CUSHION,TANK COVER BRKT NO.1	4	
21	44572-02F01	FASTENER (25X33X2.6)	4	
22	47163-10FA0	CUSHION (15X23X4)	4	
23	09103-06285	BOLT (6X12)	4	
24	44423-31J13	HOSE,FUEL TANK DRAIN NO.2	1	
25	44423-31J21	HOSE,FUEL TANK DRAIN NO.1	1	
26	09367-08005	3 WAY	1	
27	44283-06L00	PROTECTOR,FUEL TANK	1	

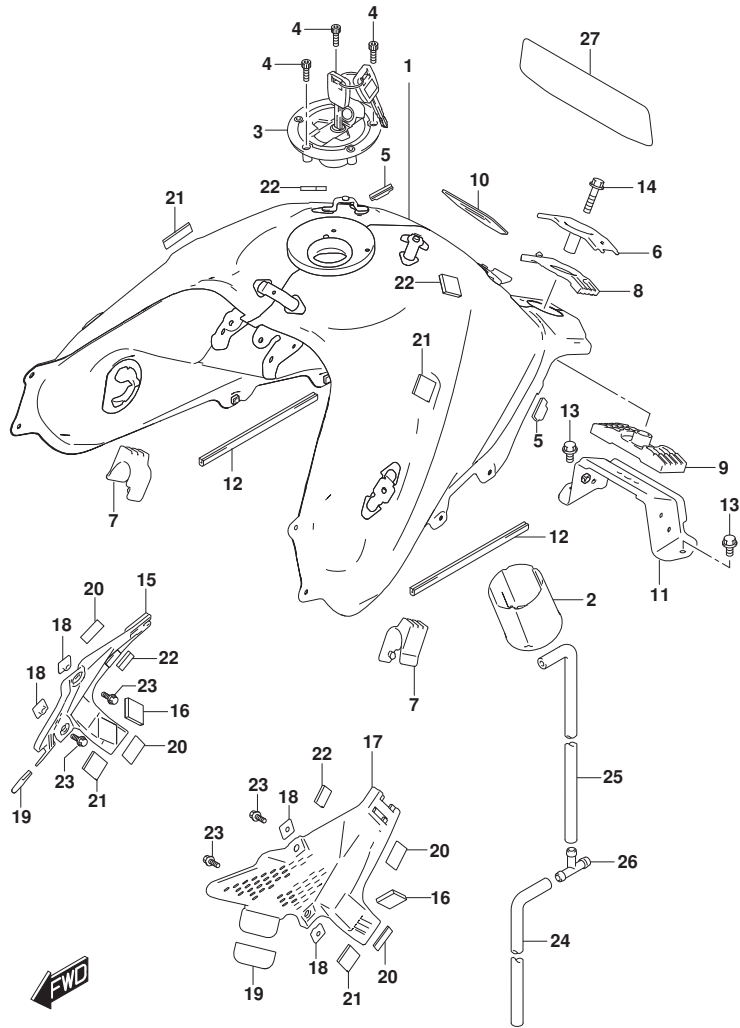


FIG.420B

FIG.420B (1-F-3) FUEL TANK (DL1050RJ)

REF NO.	PART NO.	DESCRIPTION	Q'TY	REMARKS
1-1	44100-06L00-QKA	TANK ASSY,FUEL (SILVER)	1	BODY COLOR:CD8
1-2	44100-06L00-YUH	TANK ASSY,FUEL (WHITE)	1	BODY COLOR:JWN
1-3	44100-06L00-YKV	TANK ASSY,FUEL (BLACK)	1	BODY COLOR:KGL
2	44121-06L00	VESSEL,FUEL TANK INNER	1	
3	44200-17840	CAP SET,FUEL TANK FILLER	1	
4	44244-11J00	BOLT,FUEL TANK FILLER CAP	3	
5	44276-21H01	CUSHION,FUEL TANK COVER	2	
6	44530-06G00	BRACKET,FUEL TANK REAR UP	1	
7	44541-31J00	CUSHION,FUEL TANK SIDE	2	
8	44542-06G00	CUSHION,FUEL TANK RR UPR	1	
9	44545-06G00	CUSHION,FUEL TANK RR LWR	1	
10	44545-06L10	CUSHION,FUEL TANK REAR	1	
11	44550-31J00	BRACKET,FUEL TANK REAR	1	
12	44552-24B00	MOLDING,FUEL TANK (L:110)	2	
13	01550-0816A	BOLT	2	
14	01550-0835A	BOLT (8X35)	1	
15	44179-06L00	BRKT,FUEL TANK COVER SIDE RH	1	
16	44183-23H00	CUSHION,TANK SIDE COVER	2	
17	44189-06L00	BRKT,FUEL TANK COVER SIDE LH	1	
18	44523-47H00	NUT (M6)	4	
19	44542-31J00	CUSHION,FUEL TANK COVER BRKT	2	
20	44556-33H10	CUSHION,TANK COVER BRKT NO.1	4	
21	44572-02F01	FASTENER (25X33X2.6)	4	
22	47163-10FA0	CUSHION (15X23X4)	4	
23	09103-06285	BOLT (6X12)	4	
24	44423-31J13	HOSE,FUEL TANK DRAIN NO.2	1	
25	44423-31J21	HOSE,FUEL TANK DRAIN NO.1	1	
26	09367-08005	3 WAY	1	
27	44283-06L00	PROTECTOR,FUEL TANK	1	

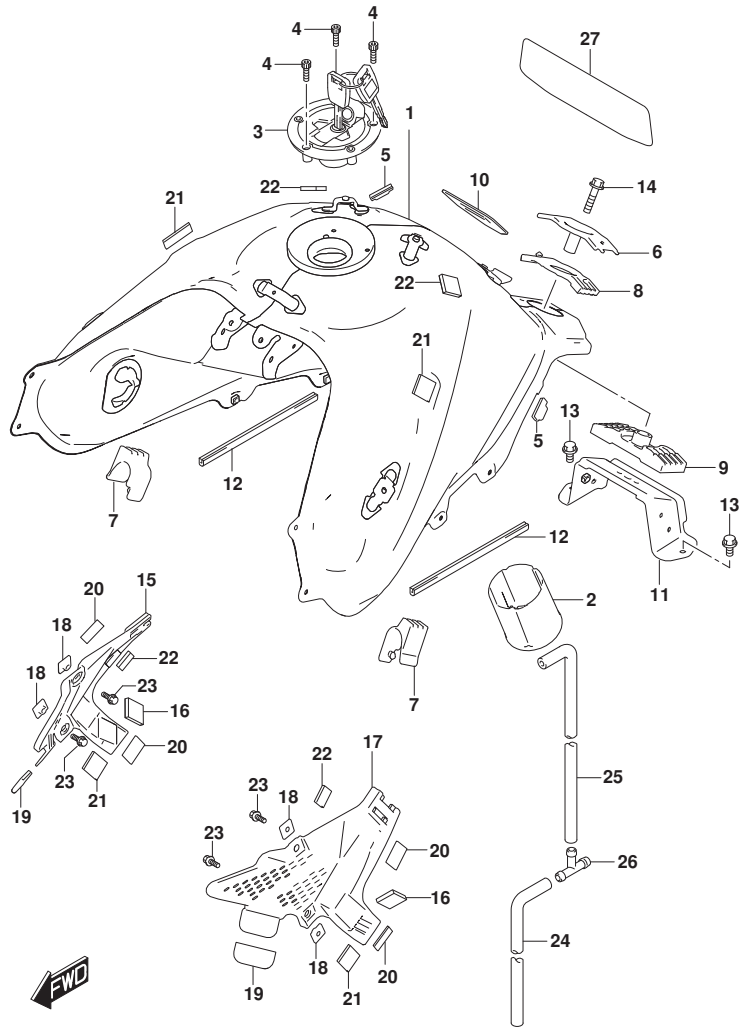


FIG.423A

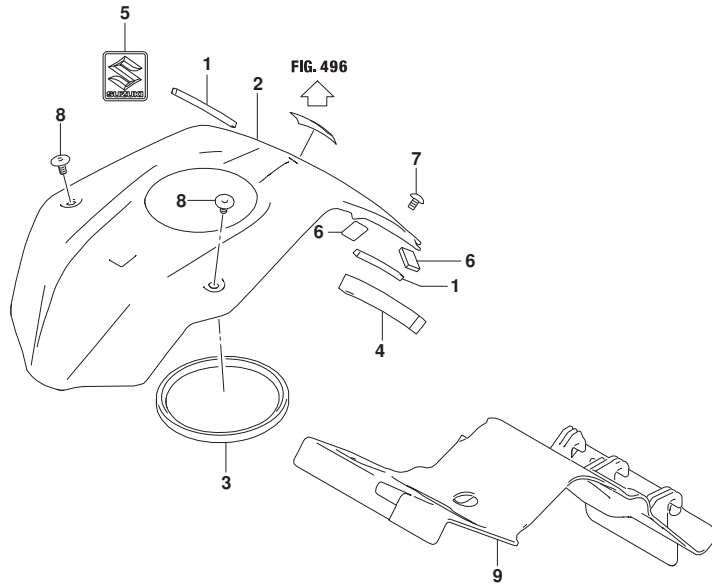


FIG.423A (1-F-4) FUEL TANK COVER (DL1050RR)

REF NO.	PART NO.	DESCRIPTION	Q'TY	REMARKS
1	44277-06L00	CUSHION,FUEL TANK COVER CTR	2	
2	44291-06L00-YKV	COVER,FUEL TANK CTR (BLACK)	1	
3	44295-07L01	RUBBER,FUEL TANK COVER	1	
4	44292-06L00	CUSHION,FUEL TANK REAR	1	
5	68281-47HA0	EMBLEM,S	1	
6	94642-10GA0	CUSHION (15X15X2)	2	
7	09139-06172	SCREW (6X10)	1	
8	09139-06229	SCREW (6X13)	2	
9	44271-06L10	SHEET,HEAT SHIELD RUBBER	1	



FIG.423B

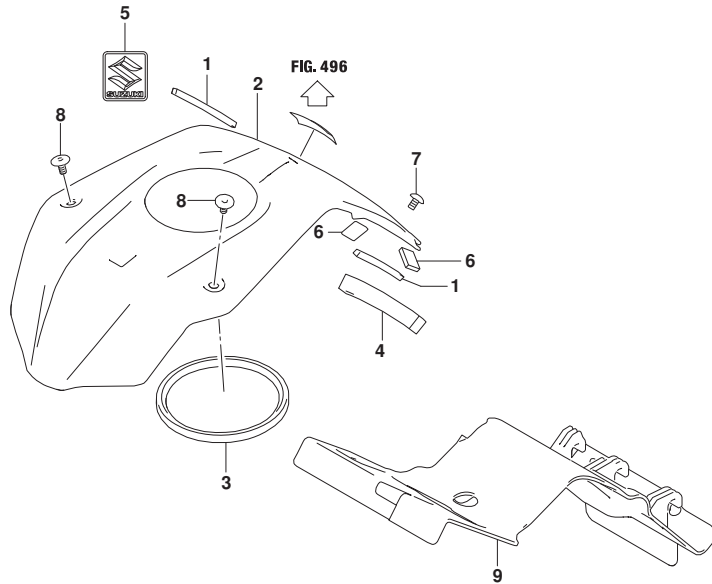


FIG.423B (1-F-5) FUEL TANK COVER (DL1050RJ)

REF NO.	PART NO.	DESCRIPTION	Q'TY	REMARKS
1	44277-06L00	CUSHION,FUEL TANK COVER CTR	2	
2	44291-06L00-YKV	COVER,FUEL TANK CTR (BLACK)	1	
3	44295-07L01	RUBBER,FUEL TANK COVER	1	
4	44292-06L00	CUSHION,FUEL TANK REAR	1	
5	68281-47HA0	EMBLEM,S	1	
6	94642-10GA0	CUSHION (15X15X2)	2	
7	09139-06172	SCREW (6X10)	1	
8	09139-06229	SCREW (6X13)	2	
9	44271-06L20	SHEET,HEAT SHIELD RUBBER	1	



FIG.427B

FIG.427B (1-F-6) EVAP SYSTEM

REF NO.	PART NO.	DESCRIPTION	Q'TY	REMARKS
1	13685-06L00	JOINT,3 WAY	1	
2	18114-74P00	VALVE,CANISTER PURGE	1	
3	18560-04K01	CANISTER ASSY,CHARCOAL	1	
4	18561-06L00	HOSE,CSTR PURGE NO.1	1	
5	18561-06L10	HOSE,CSTR PURGE NO.2	1	
6	18562-06L00	HOSE,CSTR PURGE NO.3	2	
7	18563-06L10	HOSE,CSTR SURGE NO.2	1	
8	18563-06L20	HOSE,CSTR SURGE NO.1	1	
9	18572-06L00	BRACKET,CANISTER NO.1	1	
10	18572-13K00	CUSHION, CANISTER	1	
11	18573-06L00	BRACKET,CANISTER NO.2	1	
12	18575-06L00	BRACKET,PURGE VALVE	1	
13	18576-06L00	COVER,CANISTER	1	
14	09160-06125	WASHER (6.5X14X1.6)	1	
15	09160-06151	WASHER (6.5X18X1)	2	
16	09160-08114	WASHER (8.5X18X1.6)	2	
17	09320-06027	CUSHION (6.5X14X6)	1	
18	09320-08515	CUSHION (8.4X18X6)	2	
19	09367-06009	JOINT	1	
20	09401-06101	CLIP (ID:6.5)	4	
21	09401-10401	CLIP	1	
22	09401-10409	CLIP (ID:10.5,H:8)	2	
23	09401-11413	CLIP (ID:11,H:8)	5	
24	07130-0620A	BOLT	1	
25	07130-0660B	BOLT	2	
26	08316-1006A	NUT (6X12)	1	

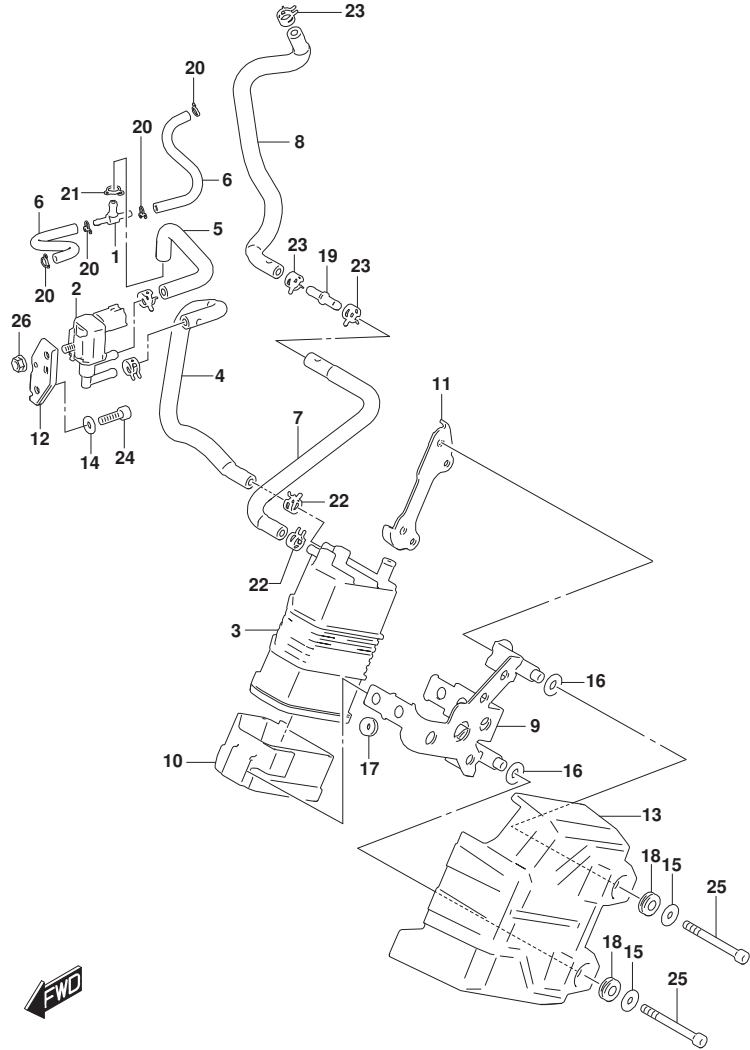


FIG.433A

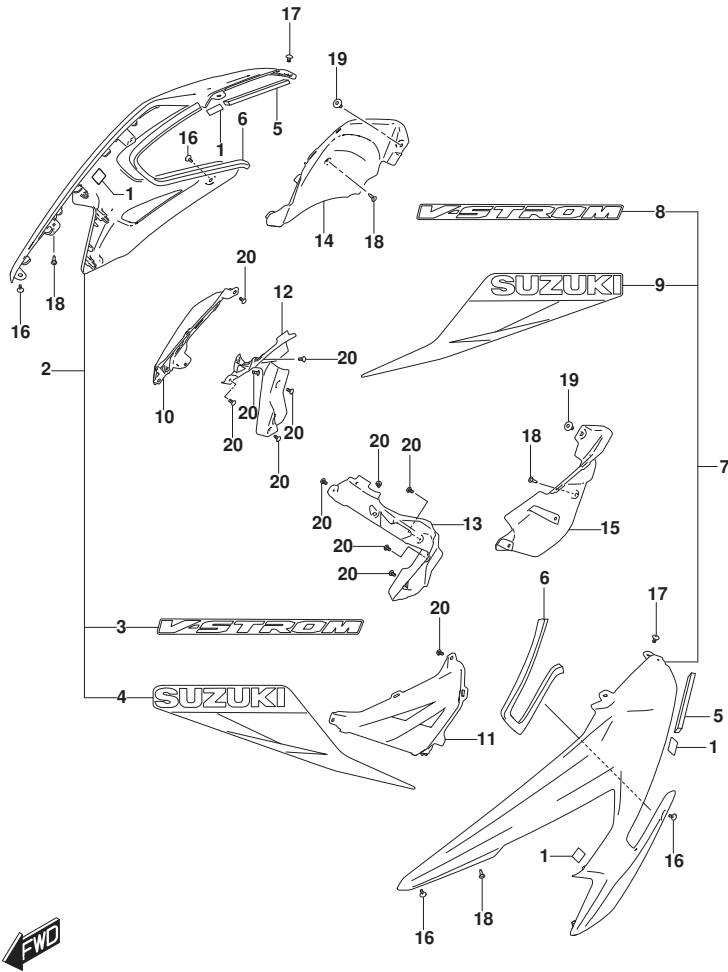


FIG.433A (1-F-7) SIDE COVER (DL1050RR)

REF NO.	PART NO.	DESCRIPTION	Q'TY	REMARKS
1	44572-13G10	FASTENER,REAR COMB LAMP (33X25)	4	
2-1	94420-06L20-QT7	COVER,SIDE,R (GRAY)	1	BODY COLOR:CB8
2-2	94420-06L20-YYG	COVER,SIDE,R (RED)	1	BODY COLOR:BNR
2-3	94420-06L20-QT8	COVER,SIDE,R (BLUE)	1	BODY COLOR:CGG
2-4	94420-06L20-YVB	COVER,SIDE,R (BLACK)	1	BODY COLOR:KGL
3-1	68271-06L10-CHL	.EMBLEM,SIDE COVER,R	1	BODY COLOR:CB8
3-2	68271-06L10-CEB	.EMBLEM,SIDE COVER,R (WHITE,RE D)	1	BODY COLOR:BNR
3-3	68271-06L10-CHM	.EMBLEM,SIDE COVER,R	1	BODY COLOR:CGG
3-4	68271-06L10-BD7	.EMBLEM,SIDE COVER,R (GRAY,BLA CK)	1	BODY COLOR:KGL
4-1	68275-06L10-CGV	.TAPE,COVER SIDE,R	1	BODY COLOR:CB8
4-2	68275-06L10-CGW	.TAPE,COVER SIDE,R	1	BODY COLOR:BNR
4-3	68275-06L10-CHD	.TAPE,COVER SIDE,R	1	BODY COLOR:CGG
4-4	68275-06L10-CHK	.TAPE,COVER SIDE,R	1	BODY COLOR:KGL
5	94425-06L00	CUSHION,SIDE COVER NO.1	2	
6	94426-06L00	CUSHION,SIDE COVER NO.2	2	
7-1	94430-06L20-QT7	COVER,SIDE,L (GRAY)	1	BODY COLOR:CB8
7-2	94430-06L20-YYG	COVER,SIDE,L (RED)	1	BODY COLOR:BNR
7-3	94430-06L20-QT8	COVER,SIDE,L (BLUE)	1	BODY COLOR:CGG
7-4	94430-06L20-YVB	COVER,SIDE,L (BLACK)	1	BODY COLOR:KGL
8-1	68281-06L10-CHL	.EMBLEM,SIDE COVER,L	1	BODY COLOR:CB8
8-2	68281-06L10-CEB	.EMBLEM,SIDE COVER,L (WHITE,RE D)	1	BODY COLOR:BNR
8-3	68281-06L10-CHM	.EMBLEM,SIDE COVER,L	1	BODY COLOR:CGG
8-4	68281-06L10-BD7	.EMBLEM,SIDE COVER,L (GRAY,BLA CK)	1	BODY COLOR:KGL
9-1	68285-06L10-CGV	.TAPE,COVER SIDE	1	BODY COLOR:CB8
9-2	68285-06L10-CGW	.TAPE,COVER SIDE	1	BODY COLOR:BNR
9-3	68285-06L10-CHD	.TAPE,COVER SIDE	1	BODY COLOR:CGG
9-4	68285-06L10-CHK	.TAPE,COVER SIDE	1	BODY COLOR:KGL
10	94441-06L00	COVER,SIDE NO.2 RH	1	
11	94451-06L00	COVER,SIDE NO.2 LH	1	
12	94463-06L00	COVER,SIDE INNER LWR RH	1	

FIG.433A

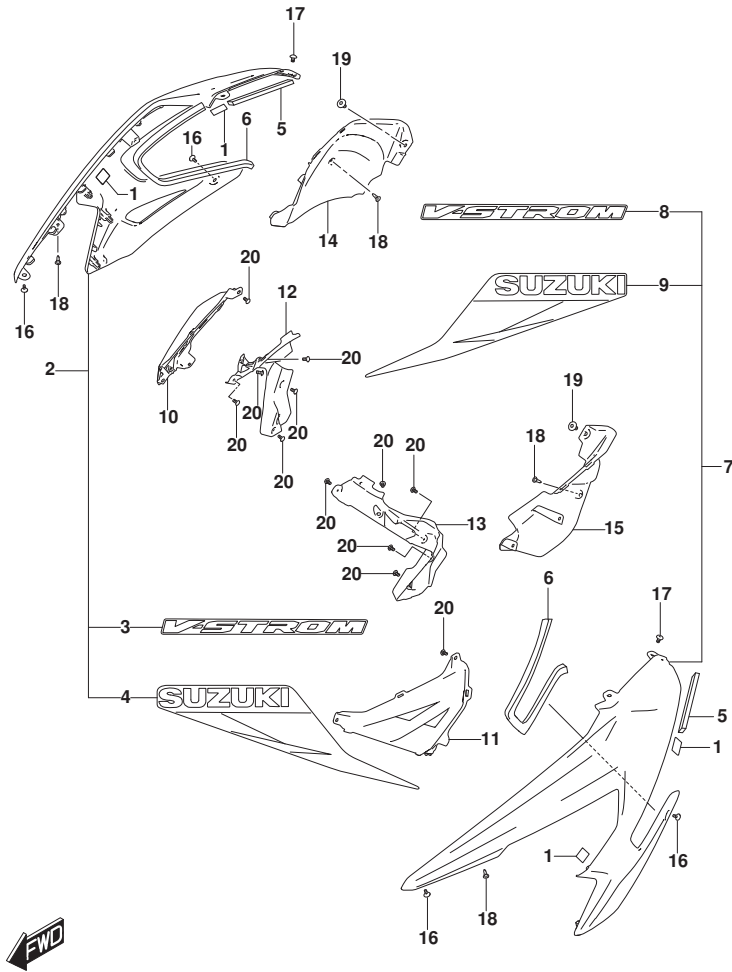


FIG.433A (1-F-8) SIDE COVER (DL1050RR)

REF NO.	PART NO.	DESCRIPTION	Q'TY	REMARKS
13	94464-06L00	COVER,SIDE INNER LWR LH	1	
14	94471-06L00	COVER,SIDE INNER UPR RH	1	
15	94481-06L00	COVER,SIDE INNER UPR LH	1	
16	09139-05091	SCREW (5X13)	4	
17	09139-06172	SCREW (6X10)	2	
18	09409-06314	CLIP (5.9X20.5)	4	
19	09409-07333	CLIP (D:2.4,ID:23.7)	2	
20	03541-0512B	SCREW	12	

FIG.433B

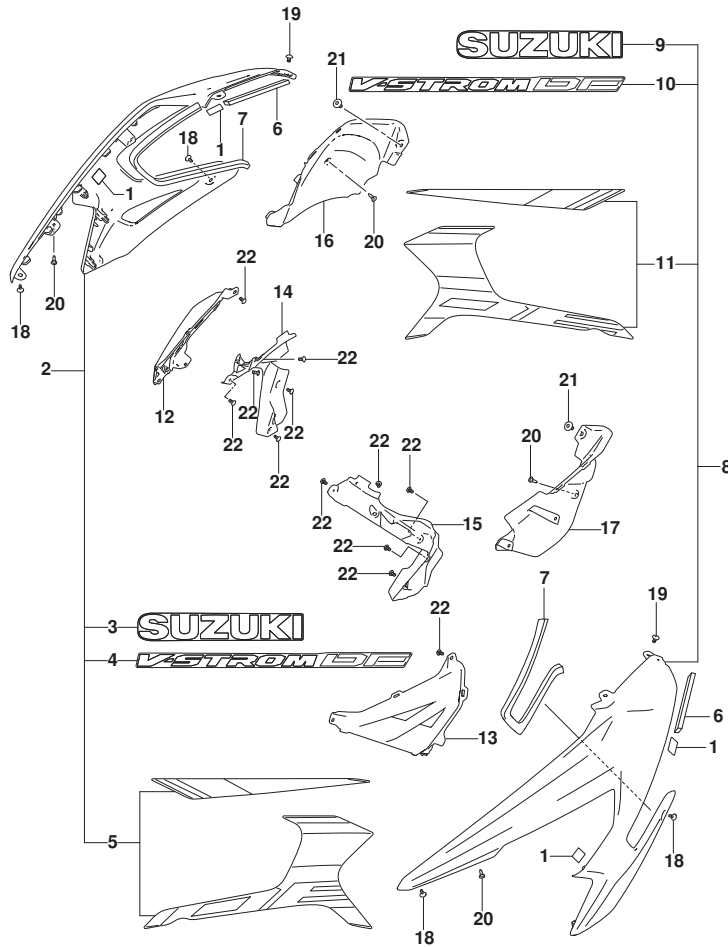


FIG.433B (1-F-9) SIDE COVER (DL1050RJ)

REF NO.	PART NO.	DESCRIPTION	Q'TY	REMARKS
1	44572-13G10	FASTENER,REAR COMB LAMP (33X25)	4	
2-1	94420-06L30-YU1	COVER,SIDE,R (YELLOW)	1	BODY COLOR:CD8
2-2	94420-06L30-YKY	COVER,SIDE,R (BLUE)	1	BODY COLOR:JWN
2-3	94420-06L30-YVB	COVER,SIDE,R (BLACK)	1	BODY COLOR:KGL
3-1	68181-06L00-BT1	.EMBLEM,"SUZUKI",R (YELLOW,BLACK)	1	BODY COLOR:CD8
3-2	68181-06L00-EBH	.EMBLEM,"SUZUKI",R	1	BODY COLOR:JWN
3-3	68181-06L00-AA3	.EMBLEM,"SUZUKI",R (GRAY,BLACK)	1	BODY COLOR:KGL
4-1	68271-06L20-CGQ	.EMBLEM,SIDE COVER,R	1	BODY COLOR:CD8
4-2	68271-06L20-CGR	.EMBLEM,SIDE COVER,R	1	BODY COLOR:JWN
4-3	68271-06L20-CGP	.EMBLEM,SIDE COVER,R	1	BODY COLOR:KGL
5-1	68270-06L00-CGM	.TAPE SET,SIDE COVER,R	1	BODY COLOR:CD8
5-2	68270-06L00-CGN	.TAPE SET,SIDE COVER,R	1	BODY COLOR:JWN
5-3	68270-06L00-CGP	.TAPE SET,SIDE COVER,R	1	BODY COLOR:KGL
6	94425-06L00	CUSHION,SIDE COVER NO.1	2	
7	94426-06L00	CUSHION,SIDE COVER NO.2	2	
8-1	94430-06L30-YU1	COVER,SIDE,L (YELLOW)	1	BODY COLOR:CD8
8-2	94430-06L30-YKY	COVER,SIDE,L (BLUE)	1	BODY COLOR:JWN
8-3	94430-06L30-YVB	COVER,SIDE,L (BLACK)	1	BODY COLOR:KGL
9-1	68191-06L00-BT1	.EMBLEM,"SUZUKI",L (YELLOW,BLACK)	1	BODY COLOR:CD8
9-2	68191-06L00-EBH	.EMBLEM,"SUZUKI",L	1	BODY COLOR:JWN
9-3	68191-06L00-AA3	.EMBLEM,"SUZUKI",L (GRAY,BLACK)	1	BODY COLOR:KGL
10-1	68281-06L20-CGQ	.EMBLEM,SIDE COVER,L	1	BODY COLOR:CD8
10-2	68281-06L20-CGR	.EMBLEM,SIDE COVER,L	1	BODY COLOR:JWN
10-3	68281-06L20-CGP	.EMBLEM,SIDE COVER,L	1	BODY COLOR:KGL
11-1	68280-06L00-CGM	.TAPE SET,SIDE COVER,L	1	BODY COLOR:CD8
11-2	68280-06L00-CGN	.TAPE SET,SIDE COVER,L	1	BODY COLOR:JWN
11-3	68280-06L00-CGP	.TAPE SET,SIDE COVER,L	1	BODY COLOR:KGL
12	94441-06L00	COVER,SIDE NO.2 RH	1	
13	94451-06L00	COVER,SIDE NO.2 LH	1	
14	94463-06L00	COVER,SIDE INNER LWR RH	1	

FIG.433B

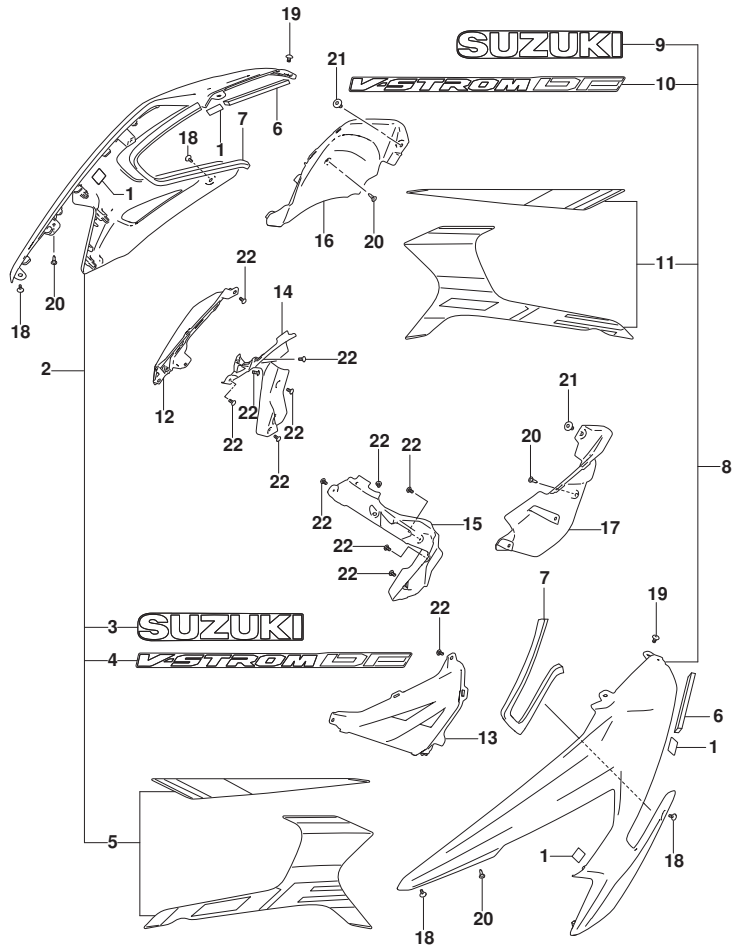


FIG.433B (1-F-10) SIDE COVER (DL1050RJ)

REF NO.	PART NO.	DESCRIPTION	Q'TY	REMARKS
15	94464-06L00	COVER,SIDE INNER LWR LH	1	
16	94471-06L00	COVER,SIDE INNER UPR RH	1	
17	94481-06L00	COVER,SIDE INNER UPR LH	1	
18	09139-05091	SCREW (5X13)	4	
19	09139-06172	SCREW (6X10)	2	
20	09409-06314	CLIP (5.9X20.5)	4	
21	09409-07333	CLIP (D:2.4,I D:23.7)	2	
22	03541-0512B	SCREW	12	

FIG.444A

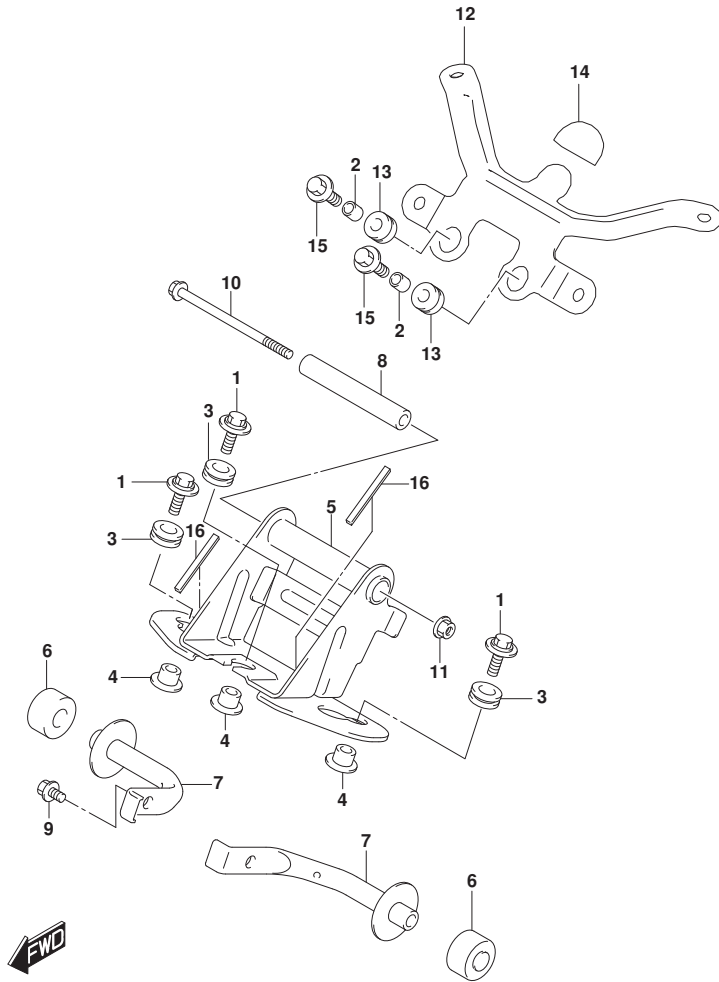


FIG.444A (1-F-11) FRONT BRACKET

REF NO.	PART NO.	DESCRIPTION	Q'TY	REMARKS
1	09118-06112	BOLT (6X30)	3	
2	09180-06264	SPACER (6.5X9X10.5)	2	
3	44511-16G01	CUSHION,FUEL TANK FRONT	3	
4	44512-16G00	SPACER,FUEL TANK,FR	3	
5	44520-31J01	BRACKET,FUEL TANK FRONT	1	
6	44543-31J01	CUSHION,FRONT SIDE BRKT	2	
7	44560-31J00	BRACKET,FRONT SIDE	2	
8	44561-35F00	SPACER,FUEL TANK REAR	1	
9	01550-0616A	BOLT	1	
10	01550-0695A	BOLT	1	
11	08319-3106A	NUT	1	
12	44160-06L00	BRACKET,FRONT COVER	1	
13	44164-31J01	CUSHION,FUEL TANK COVER BRKT	2	
14	44542-06L00	CUSHION,FR COVER BRKT	1	
15	09116-06009	BOLT (6X20)	2	
16	13623-48B00	MOLDING (L:48)	2	

FIG.445A

FIG.445A (1-F-12) FRAME COVER (DL1050RR)

REF NO.	PART NO.	DESCRIPTION	Q'TY	REMARKS
1	44173-14J00	CUSHION,FUEL TANK COVER SIDE	2	
2	45148-27J00	CUSHION,SEAT MOUNT	2	
3	47111-06L30	COVER,FRAME FRONT,R	1	
4	47121-06L00	PROTECTOR,FRAME COVER RH	1	FOR B1F
5	47131-06L00	CUSHION,FRAME COVER FR RR	2	
6	47211-06L30	COVER,FRAME FRONT,L	1	
7	47221-06L00	PROTECTOR,FRAME COVER LH	1	FOR B1F
8-1	47310-06L20-QT7	COVER,FRAME,R (GRAY)	1	BODY COLOR:CB8
8-2	47310-06L20-YYG	COVER,FRAME,R (RED)	1	BODY COLOR:BNR
8-3	47310-06L20-QT8	COVER,FRAME,R (BLUE)	1	BODY COLOR:CGG
8-4	47310-06L20-YVB	COVER,FRAME,R (BLACK)	1	BODY COLOR:KGL
9-1	68135-06L20-CGV	.TAPE,FRAME COVER,R	1	BODY COLOR:CB8
9-2	68135-06L20-CGW	.TAPE,FRAME COVER,R	1	BODY COLOR:BNR
9-3	68135-06L20-CHD	.TAPE,FRAME COVER,R	1	BODY COLOR:CGG
9-4	68135-06L20-CHH	.TAPE,FRAME COVER,R	1	BODY COLOR:KGL
10	47312-06L00	CUSHION,FRM COV SIDE NO.5	2	
11-1	47350-06L20-QT7	COVER,FRAME,L (GRAY)	1	BODY COLOR:CB8
11-2	47350-06L20-YYG	COVER,FRAME,L (RED)	1	BODY COLOR:BNR
11-3	47350-06L20-QT8	COVER,FRAME,L (BLUE)	1	BODY COLOR:CGG
11-4	47350-06L20-YVB	COVER,FRAME,L (BLACK)	1	BODY COLOR:KGL
12-1	68145-06L20-CGV	.TAPE,FRAME COVER,L	1	BODY COLOR:CB8
12-2	68145-06L20-CGW	.TAPE,FRAME COVER,L	1	BODY COLOR:BNR
12-3	68145-06L20-CHD	.TAPE,FRAME COVER,L	1	BODY COLOR:CGG
12-4	68145-06L20-CHH	.TAPE,FRAME COVER,L	1	BODY COLOR:KGL
13	47510-06L00	BRKT,SIDE CASE UPR RH	1	
14	47811-06L00	.BUSH,SIDE CASE BRKT FR RH	1	
15	47911-06L00	.BUSH,SIDE CASE BRKT RR RH	1	
16	47510-28K00	SPACER,FRAME COVER	2	
17	47610-06L00	BRKT,SIDE CASE UPR LH	1	
18	47812-06L00	.BUSH,SIDE CASE BRKT FR LH	1	
19	47912-06L00	.BUSH,SIDE CASE BRKT RR LH	1	
20-1	47711-06L00-QT7	COVER,FRAME CENTER (GRAY)	1	BODY COLOR:CB8
20-2	47711-06L00-YYG	COVER,FRAME CENTER (RED)	1	BODY COLOR:BNR
20-3	47711-06L00-QT8	COVER,FRAME CENTER (BLUE)	1	BODY COLOR:CGG
20-4	47711-06L00-YVB	COVER,FRAME CTR (BLACK)	1	BODY COLOR:KGL

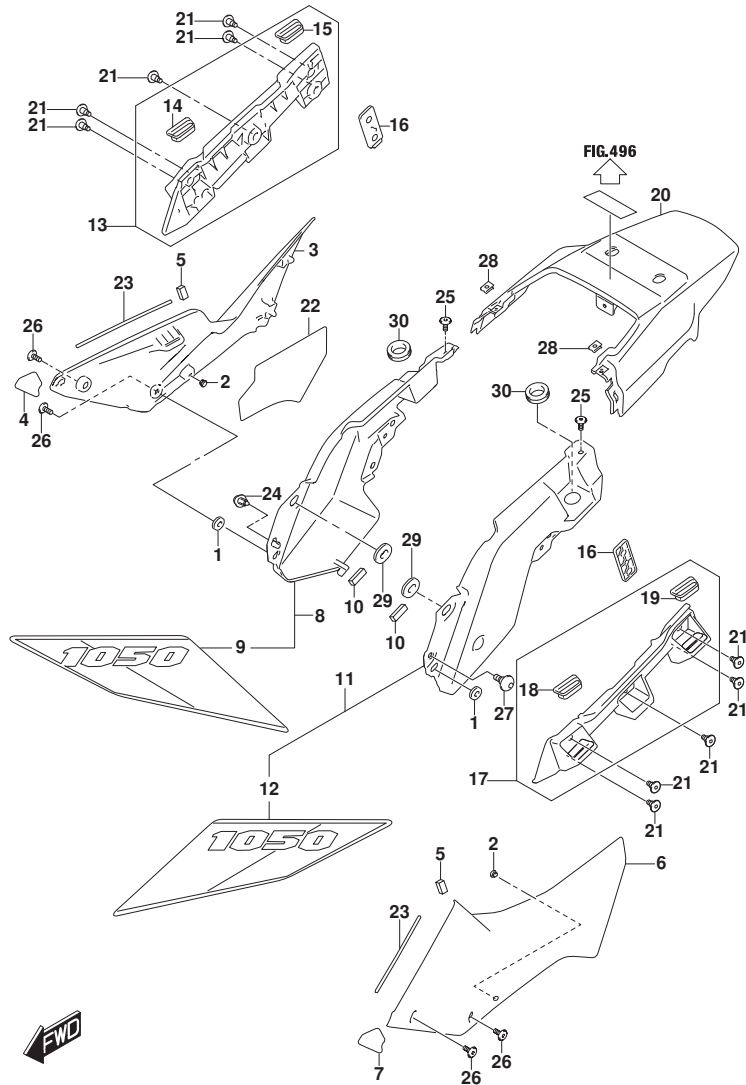


FIG.445A

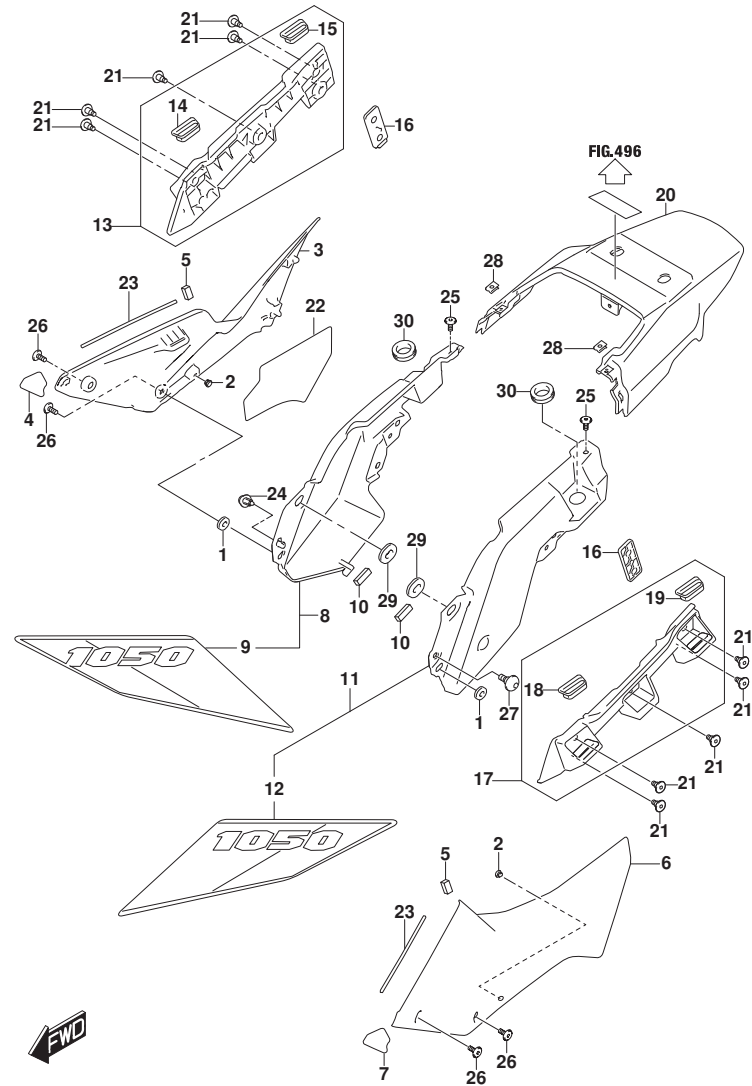


FIG.445A (1-F-13) FRAME COVER (DL1050RR)

REF NO.	PART NO.	DESCRIPTION	Q'TY	REMARKS
21	47913-06L00	SCREW	10	
22	47113-06L10	HEATSHIELD,FRAME COVER,R	1	
23	94417-24F00	CUSHION,FRAME COVER	2	
24	94479-35F00	CLIP	1	
25	09139-05091	SCREW (5X13)	2	
26	09139-05091	SCREW (5X13)	4	
27	09139-06169	SCREW (6X16)	1	
28	09148-05052	NUT (M5)	2	
29	09320-08029	CUSHION	2	
30	09320-20011	CUSHION (20X32X9)	2	

FIG.445B

FIG.445B (1-F-14) FRAME COVER (DL1050RJ)

REF NO.	PART NO.	DESCRIPTION	Q'TY	REMARKS
1	44173-14J00	CUSHION,FUEL TANK COVER SIDE	2	
2	45148-27J00	CUSHION,SEAT MOUNT	2	
3-1	47111-06L30	COVER,FRAME FRONT,R	1	BODY COLOR:CD8,KGL
3-2	47111-06L20-YUH	COVER,FRAME FRONT,R (WHITE)	1	BODY COLOR:JWN
4	47121-06L00	PROTECTOR,FRAME COVER RH	1	FOR B1F
5	47131-06L00	CUSHION,FRAME COVER FR RR	2	
6-1	47211-06L30	COVER,FRAME FRONT,L	1	BODY COLOR:CD8,KGL
6-2	47211-06L20-YUH	COVER,FRAME FRONT,L (WHITE)	1	BODY COLOR:JWN
7	47221-06L00	PROTECTOR,FRAME COVER LH	1	FOR B1F
8-1	47310-06L30-YU1	COVER,FRAME,R (YELLOW)	1	BODY COLOR:CD8
8-2	47310-06L30-YKY	COVER,FRAME,R (BLUE)	1	BODY COLOR:JWN
8-3	47310-06L30-YVB	COVER,FRAME,R (BLACK)	1	BODY COLOR:KGL
9-1	68135-06L30-CGM	.TAPE,FRAME COVER,R	1	BODY COLOR:CD8
9-2	68135-06L30-CGN	.TAPE,FRAME COVER,R	1	BODY COLOR:JWN
9-3	68135-06L30-CGP	.TAPE,FRAME COVER,R	1	BODY COLOR:KGL
10	47312-06L00	CUSHION,FRM COV SIDE NO.5	2	
11-1	47350-06L30-YU1	COVER,FRAME,L (YELLOW)	1	BODY COLOR:CD8
11-2	47350-06L30-YKY	COVER,FRAME,L (BLUE)	1	BODY COLOR:JWN
11-3	47350-06L30-YVB	COVER,FRAME,L (BLACK)	1	BODY COLOR:KGL
12-1	68145-06L30-CGM	.TAPE,FRAME COVER,L	1	BODY COLOR:CD8
12-2	68145-06L30-CGN	.TAPE,FRAME COVER,L	1	BODY COLOR:JWN
12-3	68145-06L30-CGP	.TAPE,FRAME COVER,L	1	BODY COLOR:KGL
13	47510-06L00	BRKT,SIDE CASE UPR RH	1	
14	47811-06L00	.BUSH,SIDE CASE BRKT FR RH	1	
15	47911-06L00	.BUSH,SIDE CASE BRKT RR RH	1	
16	47510-28K00	SPACER,FRAME COVER	2	
17	47610-06L00	BRKT,SIDE CASE UPR LH	1	
18	47812-06L00	.BUSH,SIDE CASE BRKT FR LH	1	
19	47912-06L00	.BUSH,SIDE CASE BRKT RR LH	1	
20-1	47711-06L00-YU1	COVER,FRAME CTR (YELLOW)	1	BODY COLOR:CD8
20-2	47711-06L00-YKY	COVER,FRAME CENTER (BLUE)	1	BODY COLOR:JWN
20-3	47711-06L00-YVB	COVER,FRAME CTR (BLACK)	1	BODY COLOR:KGL
21	47913-06L00	SCREW	10	
22	47113-06L10	HEATSHIELD,FRAME COVER,R	1	
23	94417-24F00	CUSHION,FRAME COVER	2	

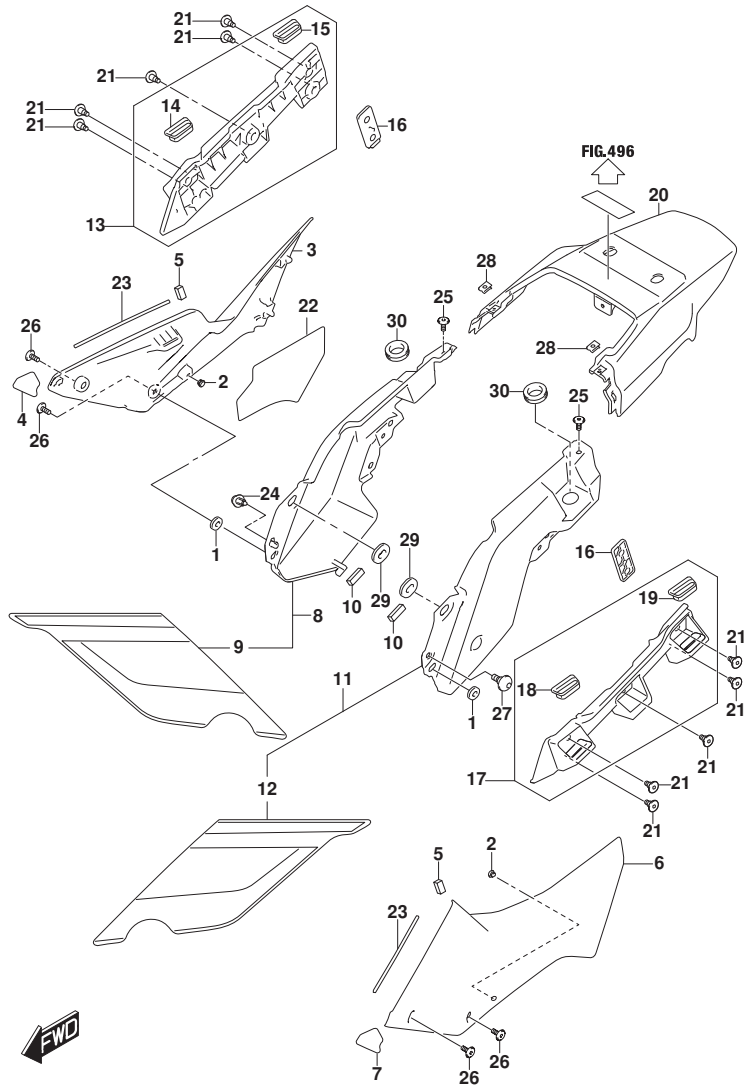


FIG.445B

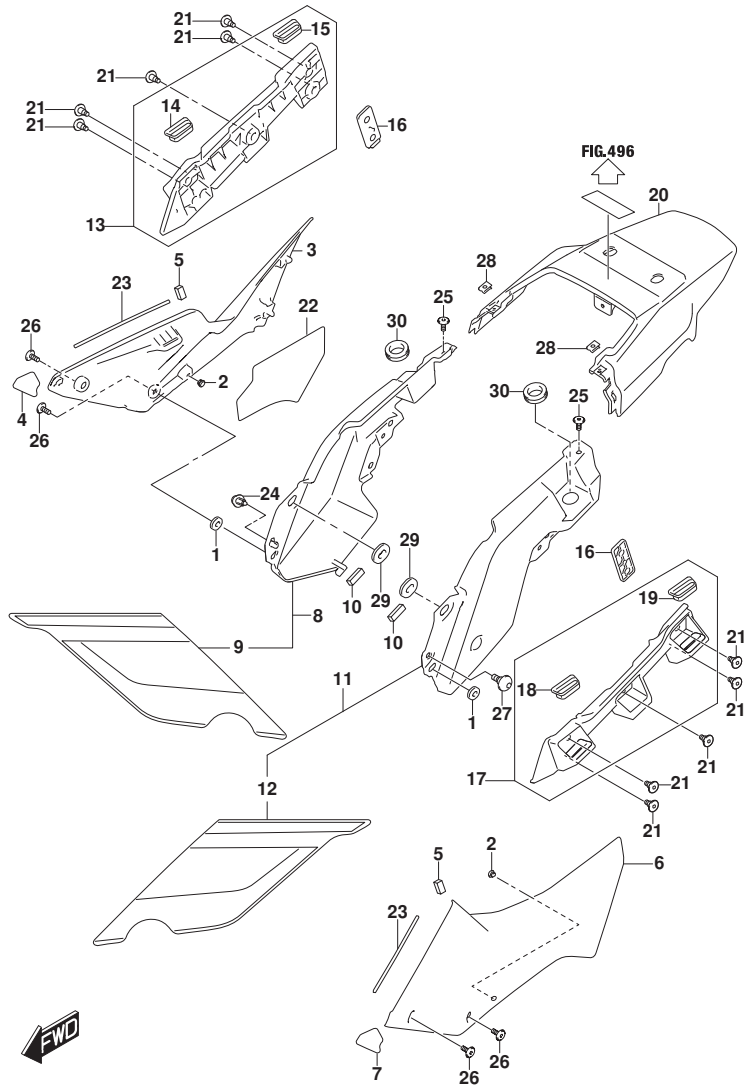


FIG.445B (1-F-15) FRAME COVER (DL1050RJ)

REF NO.	PART NO.	DESCRIPTION	Q'TY	REMARKS
24	94479-35F00	CLIP	1	
25	09139-05091	SCREW (5X13)	2	
26	09139-05091	SCREW (5X13)	4	
27	09139-06169	SCREW (6X16)	1	
28	09148-05052	NUT (M5)	2	
29	09320-08029	CUSHION	2	
30	09320-20011	CUSHION (20X32X9)	2	

FIG.454A

FIG.454A (1-F-16) WINDSCREEN (DL1050RJ)

REF NO.	PART NO.	DESCRIPTION	Q'TY	REMARKS
1	47122-17K00	CUSHION (8X50X8)	1	
2	48411-06L10	WINDSCREEN	1	
3	48415-06L00	SCREW,WINDSCREEN	4	
4	09320-09016	CUSHION (9X18X9.5)	4	
5	44294-43H11	CUSHION,FUEL TANK COVER	2	
6	48412-06L10	COVER,WINDSCREEN	1	
7	48413-06L10	COVER,LOCK WINDSCREEN	1	
8	09409-06329	CLIP	4	
9	03541-0512A	SCREW	2	
10	47161-26J00	CUSHION,FRAME COVER	2	
11	48421-06L20	BRACE,WINDSCREEN,R	1	
12	48422-06L00	SLIDER,WINDSCREEN FR RH	1	
13	48423-06L10	SLIDER,WINDSCREEN RR RH	1	
14	48431-06L20	BRACE,WINDSCREEN,L	1	
15	48432-06L00	SLIDER,WINDSCREEN FR LH	1	
16	48433-06L10	SLIDER,WINDSCREEN RR LH	1	
17	48440-06L10	ROD,WINDSCREEN BRACE	1	
18	48442-06L10	BOLT,WINDSCREEN BRACE ROD	2	
19	48452-06L00	NUT,WINDSCREEN	4	
20	48425-06L00	BOLT,WINDSCREEN BRACE	4	
21	09169-07007	WASHER	4	
22	09409-06329	CLIP	2	

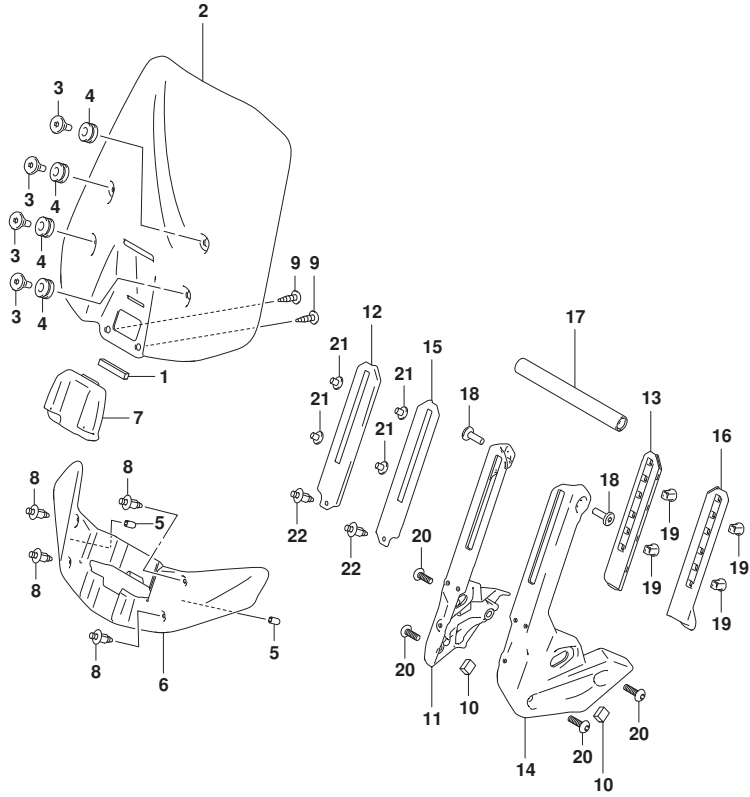


FIG.454C

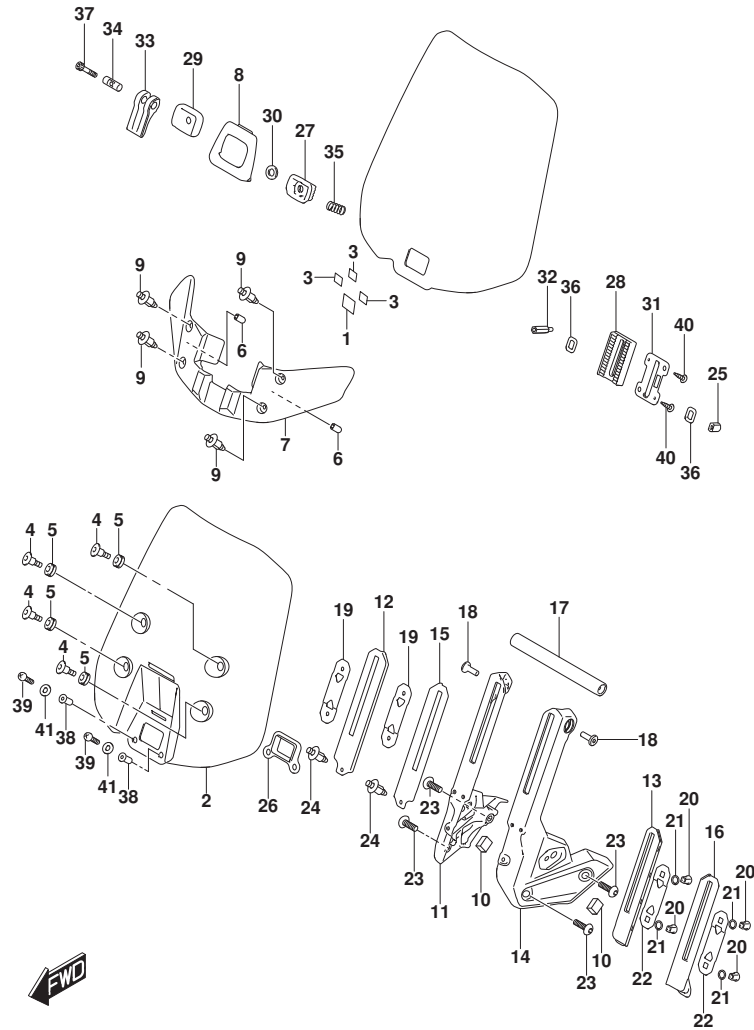


FIG.454C (1-G-2) WINDSCREEN (DL1050RR)

REF NO.	PART NO.	DESCRIPTION	Q'TY	REMARKS
1	44885-44AA0	CUSHION (30X30X2)	1	
2	48411-06L00	WINDSCREEN	1	
3	48416-06L00	CUSHION,WINDSCREEN NO.3	3	
4	09139-06206	SCREW (6X20)	4	
5	09320-09016	CUSHION (9X18X9.5)	4	
6	44294-43H11	CUSHION,FUEL TANK COVER	2	
7	48412-06L00	COVER,WINDSCREEN	1	
8	48413-06L00	COVER,LOCK WINDSCREEN	1	
9	09409-06329	CLIP	4	
10	47161-26J00	CUSHION,FRAME COVER	2	
11	48421-06L00	BRACE,WINDSCREEN RH	1	
12	48422-06L00	SLIDER,WINDSCREEN FR RH	1	
13	48423-06L00	SLIDER,WINDSCREEN REAR RH	1	
14	48431-06L00	BRACE,WINDSCREEN LH	1	
15	48432-06L00	SLIDER,WINDSCREEN FR LH	1	
16	48433-06L00	SLIDER,WINDSCREEN REAR LH	1	
17	48440-06L10	ROD,WINDSCREEN BRACE	1	
18	48442-06L10	BOLT,WINDSCREEN BRACE ROD	2	
19	48451-06L00	BRACKET,WINDSCREEN FRONT	2	
20	48452-06L00	NUT,WINDSCREEN	4	
21	48454-06L00	O-RING,WINDSCREEN	4	
22	48461-06L00	BRACKET,WINDSCREEN REAR	2	
23	48425-06L00	BOLT,WINDSCREEN BRACE	4	
24	09409-06329	CLIP	2	
25	48453-06L00	NUT,WINDSCREEN	1	
26	48462-06L00	STOPPER,LOCK SCREEN UPR NO.1	1	
27	48463-06L00	STOPPER,LOCK SCREEN UPR NO.2	1	
28	48464-06L00	STOPPER,LOCK SCREEN LWR	1	
29	48465-06L00	SLIDER,LOCK SCREEN	1	
30	48466-06L00	CUSHION,LOCK SCREEN	1	
31	48467-06L00	SLINDER,LOCK SCREEN LWR	1	
32	48471-06L00	BOLT,WINDSCREEN CTR	1	
33	48472-06L00	LEVER,WINDSCREEN	1	
34	48473-06L00	HINGE,WINDSCREEN LEVER	1	
35	48474-06L00	SPRING,WINDSCREEN	1	

FIG.454C

FIG.454C (1-G-3) WINDSCREEN (DL1050RR)

REF NO.	PART NO.	DESCRIPTION	Q'TY	REMARKS
36	48475-06L00	PLATE,WINDSCREEN	2	
37	09106-06090	BOLT (6X25)	1	
38	09159-05045	NUT	2	
39	02142-0520A	SCREW	2	
40	03541-0512A	SCREW	2	
41	08322-0105A	WASHER	2	

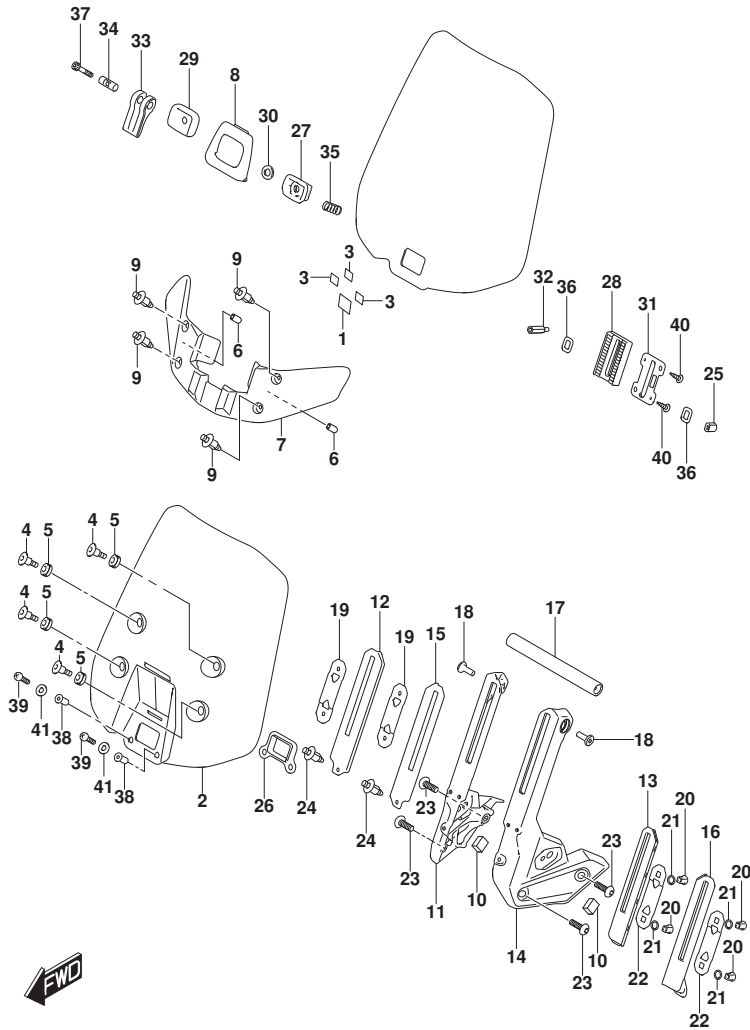


FIG.460A

FIG.460A (1-G-4) FRONT FENDER (DL1050RR)

REF NO.	PART NO.	DESCRIPTION	Q'TY	REMARKS
1	53110-31J01	FENDER,FRONT	1	
2	47915-31J00	SCREW (6X16)	4	
3	35950-13K01	REFLEX REFLECTOR ASSY,FR SIDE	2	
4	09119-06109	BOLT	2	
5	09160-08043	WASHER (8.5X18X1.0)	2	

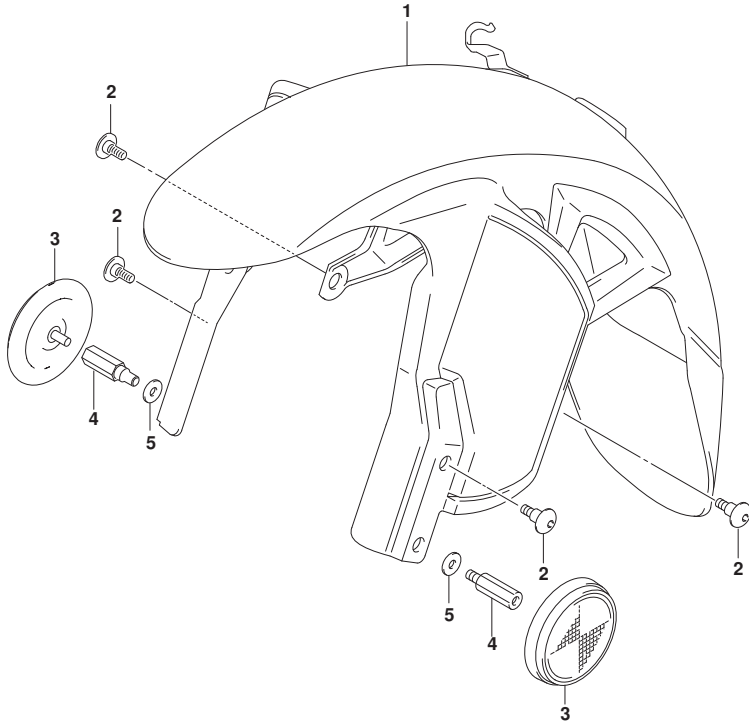


FIG.460B

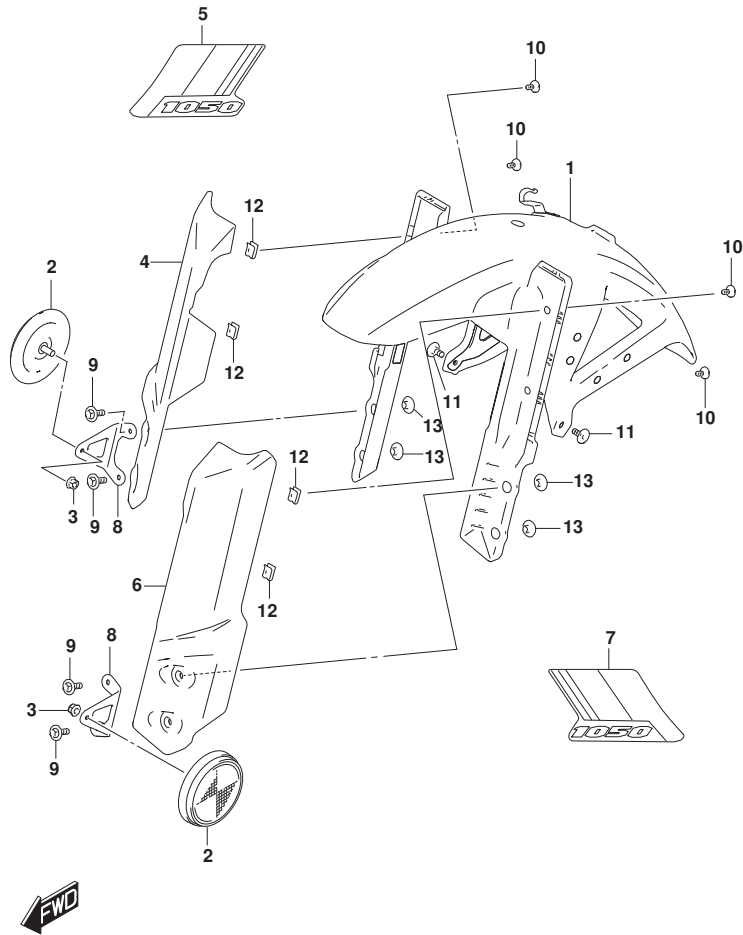


FIG.460B (1-G-5) FRONT FENDER (DL1050RJ)

REF NO.	PART NO.	DESCRIPTION	Q'TY	REMARKS
1	53110-06L00	FENDER,FRONT	1	
2	35950-13K01	REFLEX REFLECTOR ASSY,FR SIDE	2	
3	08319-3105B	NUT	2	
4-1	53120-06L00-YU1	COVER,FR FENDER SIDE,R (YELLOW)	1	BODY COLOR:CD8
4-2	53120-06L00-30H	COVER,FR FENDER SIDE,R (WHITE)	1	BODY COLOR:JWN
4-3	53120-06L00-019	COVER,FR FENDER SIDE,R (BLACK)	1	BODY COLOR:KGL
5-1	68151-06L00-CGS	.TAPE,FRONT FENDER,R	1	BODY COLOR:CD8
5-2	68151-06L00-BCN	.TAPE,FRONT FENDER,R (BLACK,BL UE,WHITE)	1	BODY COLOR:JWN
5-3	68151-06L00-CGT	.TAPE,FRONT FENDER,R	1	BODY COLOR:KGL
6-1	53130-06L00-YU1	COVER,FR FENDER SIDE,L (YELLOW)	1	BODY COLOR:CD8
6-2	53130-06L00-30H	COVER,FR FENDER SIDE,L (WHITE)	1	BODY COLOR:JWN
6-3	53130-06L00-019	COVER,FR FENDER SIDE,L (BLACK)	1	BODY COLOR:KGL
7-1	68161-06L00-CGS	.TAPE,FRONT FENDER,L	1	BODY COLOR:CD8
7-2	68161-06L00-BCN	.TAPE,FRONT FENDER,L (BLACK,BL UE,WHITE)	1	BODY COLOR:JWN
7-3	68161-06L00-CGT	.TAPE,FRONT FENDER,L	1	BODY COLOR:KGL
8	47451-06L00	BRACKET,FRONT SIDE RR	2	
9	09116-06188	BOLT (6X20)	4	
10	09139-05092	SCREW (5X13)	4	
11	09139-06221	SCREW (6X16)	2	
12	09148-05052	NUT (M5)	4	
13	09180-06349	SPACER	4	

FIG.462A

FIG.462A (1-G-6) HANDLEBAR (DL1050RJ)

REF NO.	PART NO.	DESCRIPTION	Q'TY	REMARKS
1	56111-06L10	HANDLEBAR	1	
2	56277-06L10	BOLT,BALANCER	2	
3	56278-06L00	BALANCER,HANDLEBAR	2	
4	57346-06L00	SPACER,BALANCER	2	
5	56500-06L00	MIRROR ASSY,REAR VIEW RH	1	
6	56600-06L00	MIRROR ASSY,REAR VIEW LH	1	

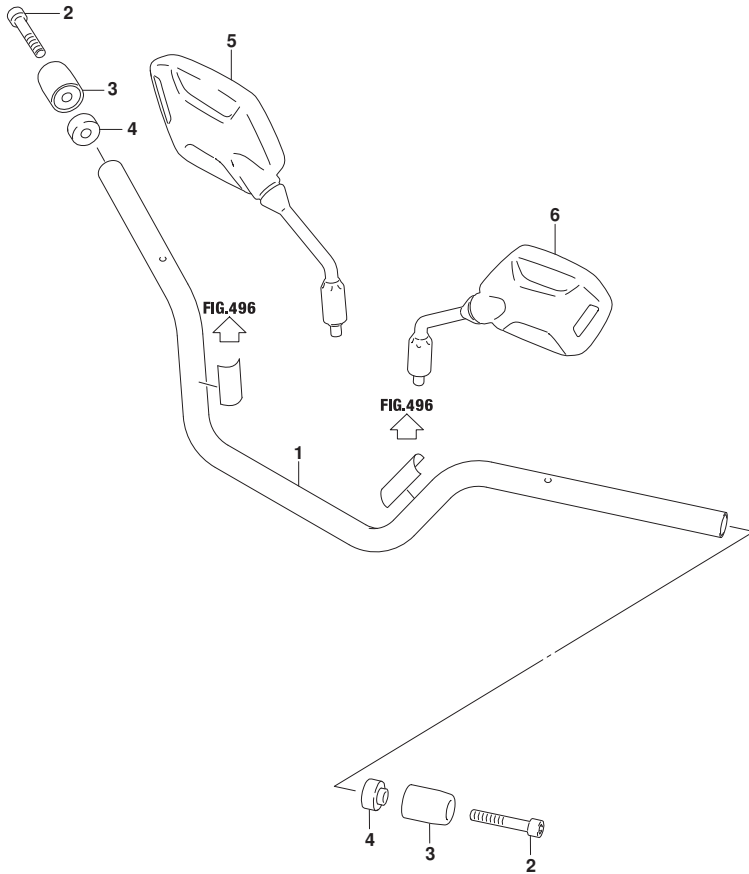


FIG.462B

FIG.462B (1-G-7) HANDLEBAR (DL1050RR)

REF NO.	PART NO.	DESCRIPTION	Q'TY	REMARKS
1	56111-06L00	HANDLEBAR	1	
2	56270-04FA1	BALANCER ASSY,HANDLEBAR	2	
3	56500-06L00	MIRROR ASSY,REAR VIEW RH	1	
4	56600-06L00	MIRROR ASSY,REAR VIEW LH	1	

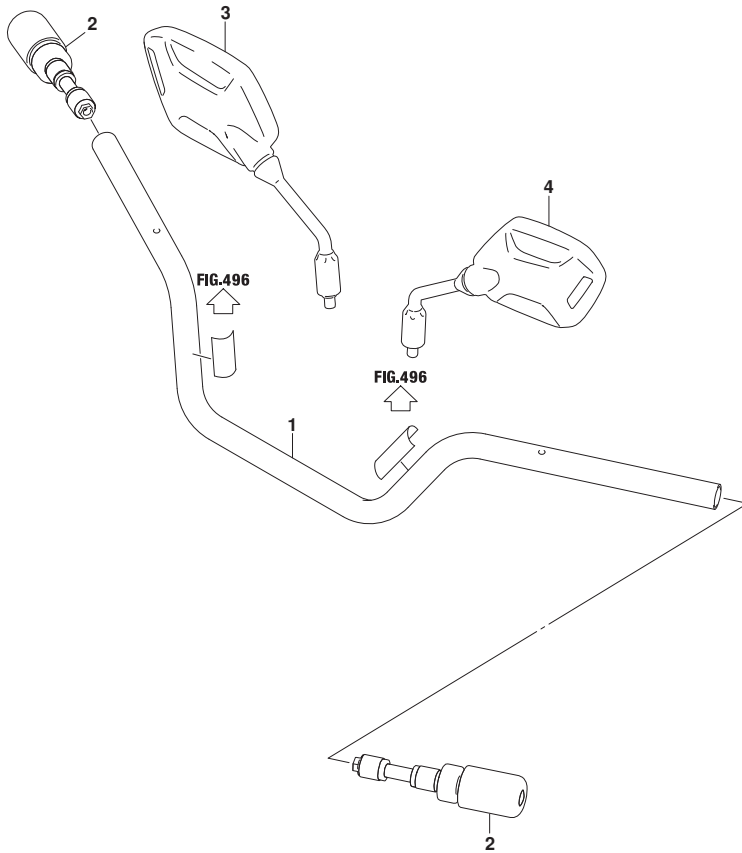


FIG.467A

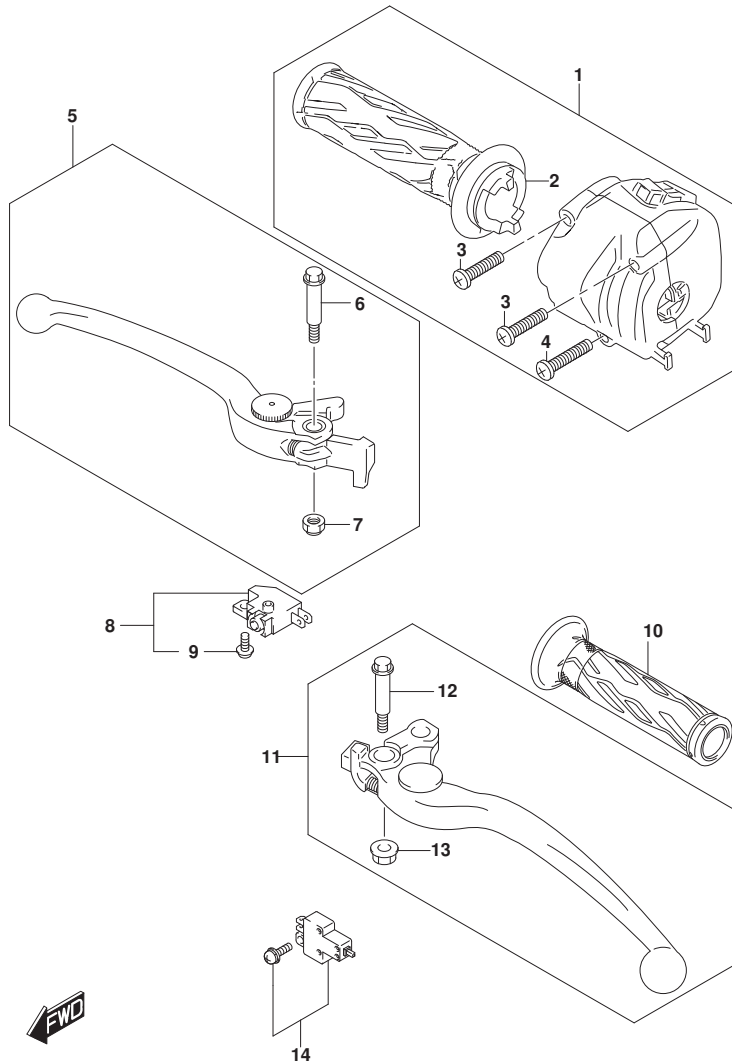


FIG.467A (1-G-8) HANDLE LEVER (DL1050RJ)

REF NO.	PART NO.	DESCRIPTION	Q'TY	REMARKS
1	57100-06L80	GRIP ASSY, THROTTLE	1	
2	57110-06L00	.GRIP, THROTTLE	1	
3	02112-0530B	.SCREW	2	
4	02112-0540B	.SCREW	1	
5	57300-10G40	LEVER ASSY, FRONT BRAKE	1	
6	57431-17H02	.BOLT, LEVER PIVOT	1	
7	08319-2106A	.NUT	1	
8	57460-14J02	SWITCH ASSY, FRONT BRAKE	1	
9	57465-17C00	.SCREW, WITH WASHER (4X12)	1	
10	57211-21H01	GRIP LH	1	
11	57500-24F40	LEVER ASSY, CLUTCH	1	
12	57431-17H02	.BOLT, LEVER PIVOT	1	
13	57442-14500	.NUT, LEVER PIVOT	1	
14	57560-02FA0	SWITCH ASSY, CLUTCH	1	

FIG.467B

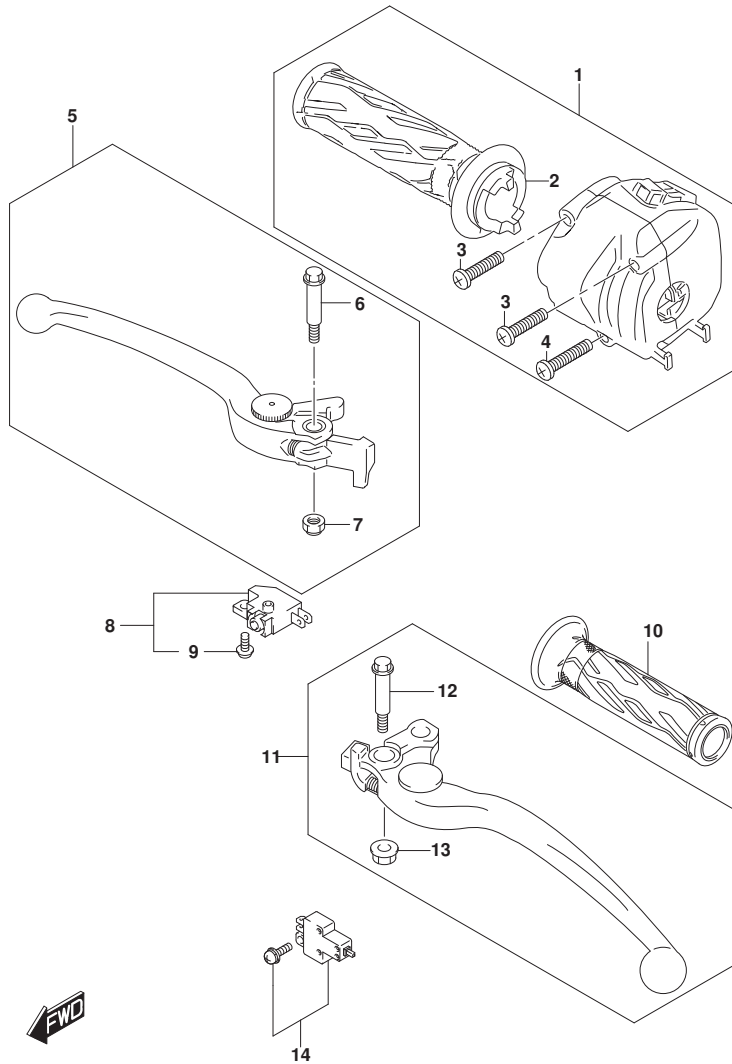


FIG.467B (1-G-9) HANDLE LEVER (DL1050RR)

REF NO.	PART NO.	DESCRIPTION	Q'TY	REMARKS
1	57100-06L90	GRIP ASSY, THROTTLE	1	
2	57110-06L00	.GRIP, THROTTLE	1	
3	02112-0530B	.SCREW	2	
4	02112-0540B	.SCREW	1	
5	57300-10G40	LEVER ASSY, FRONT BRAKE	1	
6	57431-17H02	.BOLT, LEVER PIVOT	1	
7	08319-2106A	.NUT	1	
8	57460-14J02	SWITCH ASSY, FRONT BRAKE	1	
9	57465-17C00	.SCREW, WITH WASHER (4X12)	1	
10	57211-21H01	GRIP LH	1	
11	57500-24F40	LEVER ASSY, CLUTCH	1	
12	57431-17H02	.BOLT, LEVER PIVOT	1	
13	57442-14500	.NUT, LEVER PIVOT	1	
14	57560-02FA0	SWITCH ASSY, CLUTCH	1	



FIG.472A

FIG.472A (1-G-10) KNUCKLE COVER

REF NO.	PART NO.	DESCRIPTION	Q'TY	REMARKS
1	57341-06L01	COVER,KNUCKLE RH	1	
2	57342-06L00	BRACKET,KNUCKLE COVER,R	1	
3	57541-06L01	COVER,KNUCKLE LH	1	
4	57542-06L00	BRACKET,KNUCKLE COVER,L	1	
5	09139-05108	SCREW,KNUCKLE COVER	4	
6	09148-05052	NUT (M5)	4	
7	09321-06026	CUSHION	1	
8	09321-06039	CUSHION,KNUCKLE COVER,L	1	

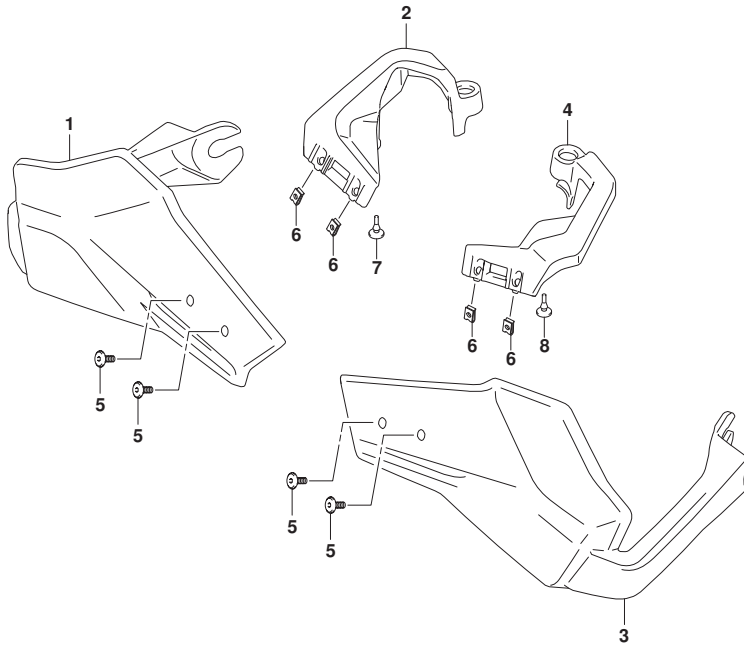


FIG.474A

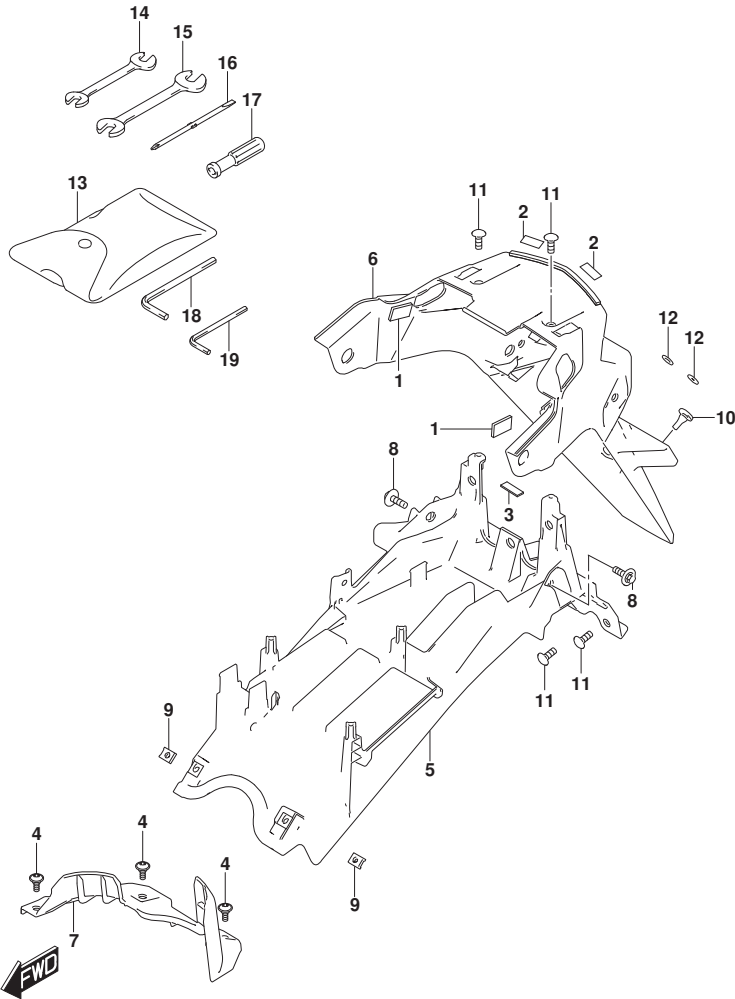


FIG.474A (1-G-11) REAR FENDER (DL1050RR)

REF NO.	PART NO.	DESCRIPTION	Q'TY	REMARKS
1	33652-21G00	CUSHION (10X20X5)	2	
2	36920-37H00	PROTECTOR, WIRING HARNESS (10X2 5X0.13)	2	
3	44281-18K01	CUSHION, TANK COVER (8X25X8)	1	
4	47912-31J00	SCREW (5X13)	3	
5	63111-06L00	FENDER, REAR FRONT	1	
6	63112-06L01	FENDER, REAR REAR	1	
7	63411-06L00	MUDGUARD, REAR FENDER	1	
8	09116-06165	BOLT (6X16)	2	
9	09148-05052	NUT (M5)	2	
10	09321-06026	CUSHION	1	
11	03541-0616B	SCREW	4	
12	08322-0106B	WASHER	2	
13	09811-00309	TOOL BAG	1	
14	09813-00030	SPANNER, OPEN (10X12)	1	
15	09813-00031	SPANNER, OPEN (14X17)	1	
16	09814-00015	DRIVER	1	
17	09814-00016	GRIP, DRIVER	1	
18	09816-00059	SPANNER, HEXAGON (5)	1	
19	09816-00103	SPANNER, HEXAGON (4)	1	

FIG.474B

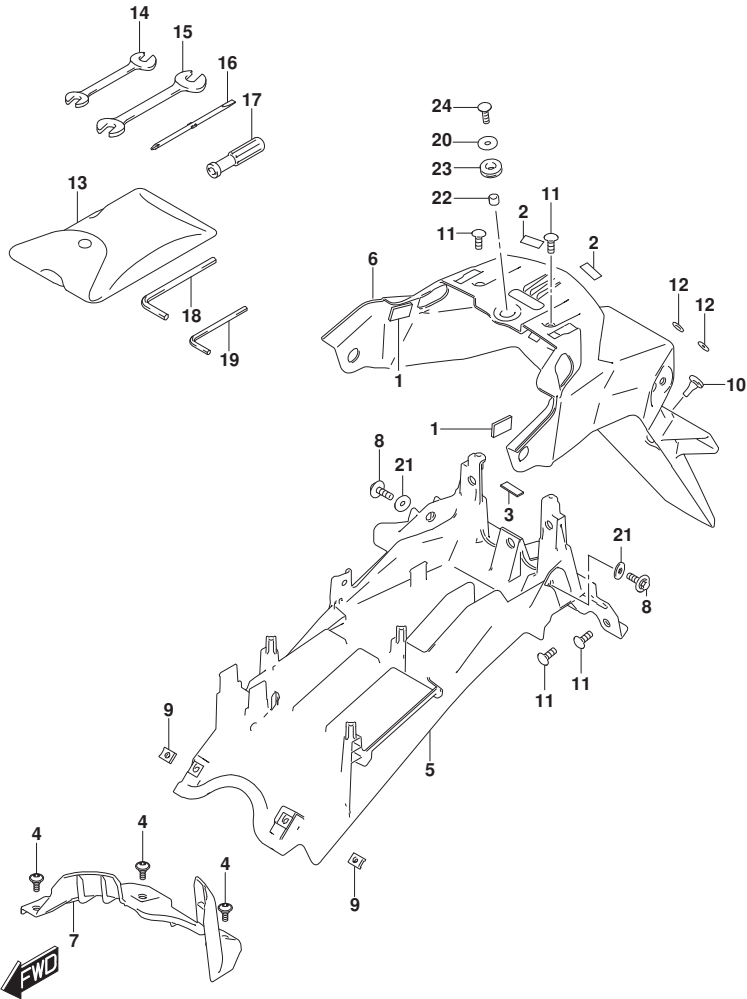


FIG.474B (1-G-12) REAR FENDER (DL1050RJ)

REF NO.	PART NO.	DESCRIPTION	Q'TY	REMARKS
1	33652-21G00	CUSHION (10X20X5)	2	
2	36920-37H00	PROTECTOR, WIRING HARNESS (10X2 5X0.13)	2	
3	44183-23H00	CUSHION, TANK SIDE COVER	1	
4	47912-31J00	SCREW (5X13)	3	
5	63111-06L10	FENDER, REAR FRONT	1	
6	63112-06L20	FENDER, REAR REAR	1	
7	63411-06L00	MUDGUARD, REAR FENDER	1	
8	01500-0612B	BOLT	2	
9	09148-05052	NUT (M5)	2	
10	09321-06026	CUSHION	1	
11	03541-0616B	SCREW	4	
12	08322-0106B	WASHER	2	
13	09811-00309	TOOL BAG	1	
14	09813-00030	SPANNER, OPEN (10X12)	1	
15	09813-00031	SPANNER, OPEN (14X17)	1	
16	09814-00015	DRIVER	1	
17	09814-00016	GRIP, DRIVER	1	
18	09816-00059	SPANNER, HEXAGON (5)	1	
19	09816-00103	SPANNER, HEXAGON (4)	1	
20	09160-06077	WASHER (6.5X20X1.2)	1	
21	09160-06132	WASHER (6.5X18X1.6)	2	
22	09180-06283	SPACER (6.5X10X7)	1	
23	09320-10059	CUSHION	1	
24	02142-0620A	SCREW	1	

FIG.481A

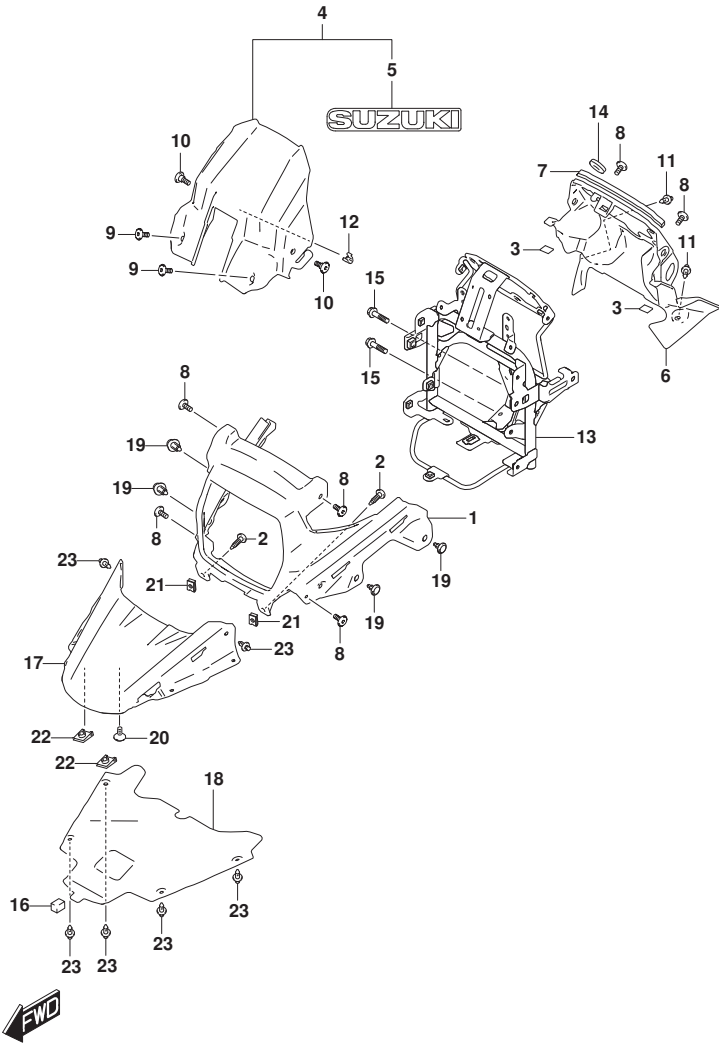


FIG.481A (1-G-13) COWLING BODY (DL1050RR)

REF NO.	PART NO.	DESCRIPTION	Q'TY	REMARKS
1	94411-06L00	COWLING,BODY	1	
2	03541-0516A	SCREW	2	
3	63115-37H00	CUSHION (10X10X1)	2	
4	94630-06L00-B5J	PANEL,METER FRONT (GRAY,BLACK)	1	
5	68721-13E00-B5J	.EMBLEM,"SUZUKI" (GRAY,BLACK)	1	
6	94632-06L10	PANEL,METER REAR	1	
7	94633-06L00	CUSHION,METER PANEL REAR	1	
8	09139-05091	SCREW (5X13)	6	
9	09139-05091	SCREW (5X13)	2	
10	09139-05109	SCREW,METER PANEL	2	
11	09409-06314	CLIP (5.9X20.5)	2	
12	09409-08326	CLIP (10.5X14.3)	1	
13	94510-06L10	BRACE,COWLING	1	
14	09320-08018	CUSHION (8X26X7)	1	
15	01550-0820A	BOLT	2	
16	33652-05G20	CUSHION,RR LAMP (17X17X12)	1	
17	94413-06L00-YKV	COWLING,BODY CTR (BLACK)	1	
18	94414-06L00	COWLING,BODY CTR LWR	1	
19	94479-35F00	CLIP	4	
20	09139-05091	SCREW (5X13)	1	
21	09148-05038	NUT (M5)	2	
22	09148-05052	NUT (M5)	2	
23	09409-06314	CLIP (5.9X20.5)	6	

FIG.481B

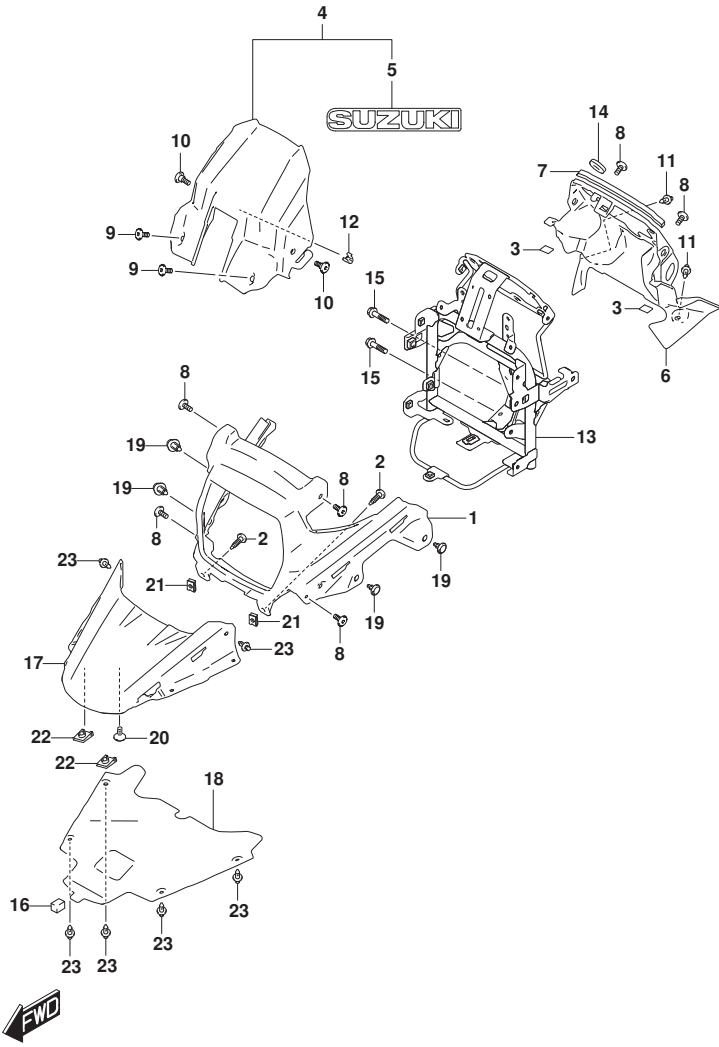


FIG.481B (1-G-14) COWLING BODY (DL1050RJ)

REF NO.	PART NO.	DESCRIPTION	Q'TY	REMARKS
1	94411-06L00	COWLING,BODY	1	
2	03541-0516A	SCREW	2	
3	63115-37H00	CUSHION (10X10X1)	2	
4	94630-06L00-B5J	PANEL,METER FRONT (GRAY,BLACK)	1	
5	68721-13E00-B5J	.EMBLEM,"SUZUKI" (GRAY,BLACK)	1	
6	94632-06L10	PANEL,METER REAR	1	
7	94633-06L00	CUSHION,METER PANEL REAR	1	
8	09139-05091	SCREW (5X13)	6	
9	09139-05091	SCREW (5X13)	2	
10	09139-05109	SCREW,METER PANEL	2	
11	09409-06314	CLIP (5.9X20.5)	2	
12	09409-08326	CLIP (10.5X14.3)	1	
13	94510-06L10	BRACE,COWLING	1	
14	09320-08018	CUSHION (8X26X7)	1	
15	01550-0820A	BOLT	2	
16	33652-05G20	CUSHION,RR LAMP (17X17X12)	1	
17	94413-06L00-YKV	COWLING,BODY CTR (BLACK)	1	
18	94414-06L00	COWLING,BODY CTR LWR	1	
19	94479-35F00	CLIP	4	
20	09139-05091	SCREW (5X13)	1	
21	09148-05038	NUT (M5)	2	
22	09148-05052	NUT (M5)	2	
23	09409-06314	CLIP (5.9X20.5)	6	

FIG.483A

FIG.483A (1-G-15) UNDER COWLING (DL1050RJ)

REF NO.	PART NO.	DESCRIPTION	Q'TY	REMARKS
1	42510-06L00	COVER,UNDER	1	
2	09139-06215	SCREW (6X12)	6	
3	09321-10050	CUSHION,UNDER COVER	1	

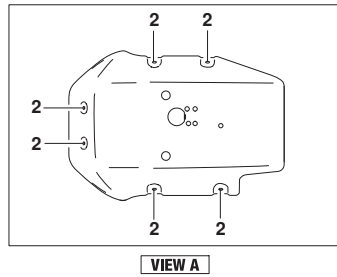
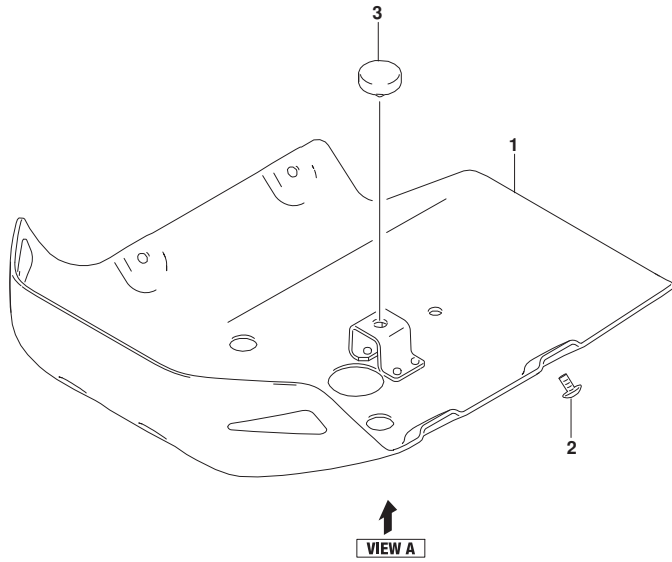


FIG.483B

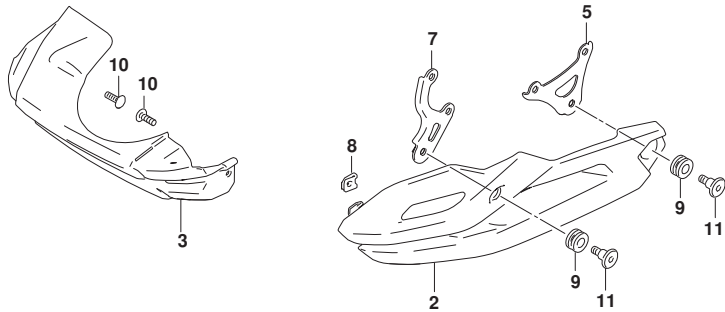
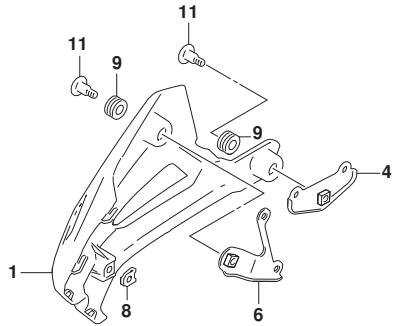


FIG.483B (1-G-16) UNDER COWLING (DL1050RR)

REF NO.	PART NO.	DESCRIPTION	Q'TY	REMARKS
1	94491-06L00	COWLING,UNDER,R	1	
2	94492-06L00	COWLING,UNDER,L	1	
3	94493-06L00	COWLING,UNDER CTR	1	
4	94530-06G10	BRACKET,UNDER COWL RR,R	1	
5	94540-06G10	BRACKET,UNDER COWL RR,L	1	
6	94550-06L00	BRACKET,UNDER COWL FR,R	1	
7	94560-06L00	BRACKET,UNDER COWL FR,L	1	
8	09148-05045	NUT (M5)	2	
9	09320-09016	CUSHION (9X18X9.5)	4	
10	03541-0516B	SCREW	2	
11	09139-06211	SCREW (6X20)	4	

FIG.492A

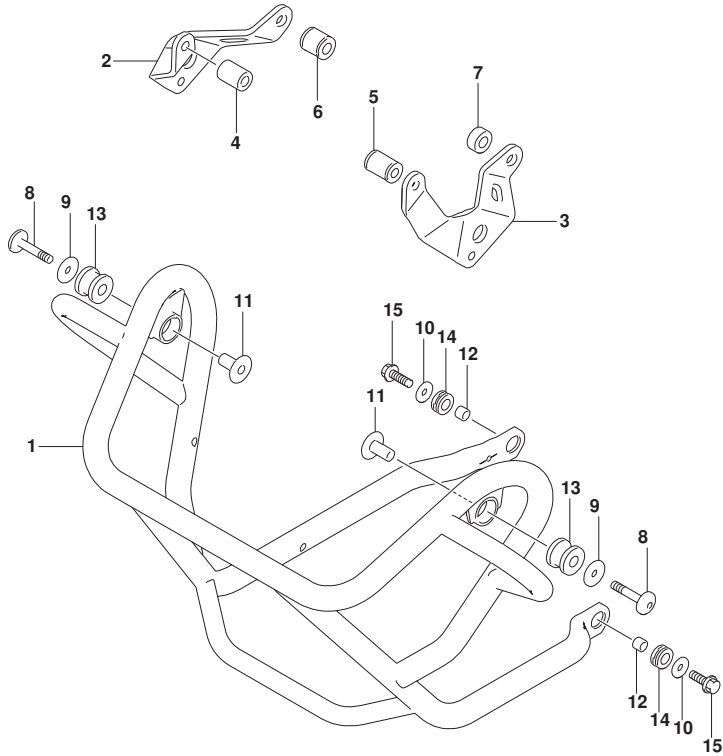


FIG.492A (1-H-2) FRONT BUMPER (DL1050RJ)

REF NO.	PART NO.	DESCRIPTION	Q'TY	REMARKS
1	94210-06L10	BAR,ACCESSORY	1	
2	94230-06L00	BRACKET,ACCESSORY BAR RH	1	
3	94240-06L00	BRACKET,ACCESSORY BAR LH	1	
4	94272-06L00	SPACER,FR RH	1	
5	94273-06L00	SPACER,FR LH	1	
6	94274-06L00	SPACER,RR RH	1	
7	94275-06L00	SPACER,RR LH	1	
8	09106-08207	BOLT,ACCESSORY BAR UPR	2	
9	09160-08157	WASHER (8.5X28X1.6)	2	
10	09160-08177	WASHER,ACCESSORY BAR LWR	2	
11	09180-08152	SPACER (8.6X12X24.2)	2	
12	09180-08230	SPACER,ACCESSORY BAR LWR	2	
13	09320-12048	CUSHION (12X30X24)	2	
14	09320-12068	CUSHION (12X22X9.5)	2	
15	01550-0830B	BOLT	2	



FIG.496E

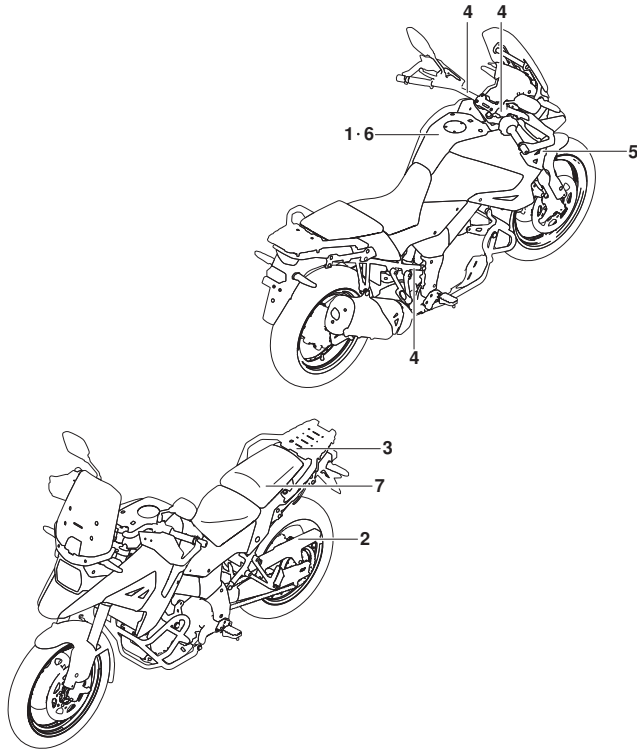


FIG.496E (1-H-3) LABEL (DL1050RR)

REF NO.	PART NO.	DESCRIPTION	Q'TY	REMARKS
1-1	68319-06L00	LABEL,GENERAL WARNING	1	ENGLISH
1-2	68319-06L20	LABEL,GENERAL WARNING	1	GERMAN
1-3	68319-06L30	LABEL,GENERAL WARNING	1	FRENCH
1-4	68319-06L40	LABEL,GENERAL WARNING	1	ITALIAN
1-5	68319-06L50	LABEL,GENERAL WARNING	1	SPANISH
1-6	68319-06L70	LABEL,GENERAL WARNING	1	DUTCH
1-7	68319-06L80	LABEL,GENERAL WARNING	1	PORTUGUESE
1-8	68319-06L90	LABEL,GENERAL WARNING	1	SWEDISH
1-9	68319-06LA0	LABEL,GENERAL WARNING	1	FINNISH
1-10	68319-06LB0	LABEL,GENERAL WARNING	1	NORWEGIAN
1-11	68319-06LP0	LABEL,GENERAL WARNING	1	RUSSIAN
2	68332-06L00	LABEL,TIRE INFORMATION	1	
3-1	68391-06L00	LABEL,CARRIER WARNING	1	
3-2	68391-06L10	LABEL,CARRIER WARNING	1	FOR RUSSIAN
4	68386-14J01	LABEL,BRAKE FLUID INFORMATION	3	FOR RUSSIAN
5	17995-14JP1	LABEL,RADIATOR CAP	1	FOR RUSSIAN
6	11959-10LB0	LABEL,GASOLINE	1	
7-1	99011-06L52-01A	MANUAL,OWNER'S	1	ENGLISH
7-2	99011-06L52-01E	MANUAL,OWNER'S	1	ITALIAN
7-3	99011-06L52-01F	MANUAL,OWNER'S	1	FRENCH
7-4	99011-06L52-01H	MANUAL,OWNER'S	1	DUTCH
7-5	99011-06L52-01K	MANUAL,OWNER'S	1	GERMAN
7-6	99011-06L52-01T	MANUAL,OWNER'S	1	DANISH
7-7	99011-06L52-01W	MANUAL,OWNER'S	1	SWEDISH
7-8	99011-06L52-029	MANUAL,OWNER'S	1	SPANISH
7-9	99011-06L52-070	MANUAL,OWNER'S	1	RUSSIAN

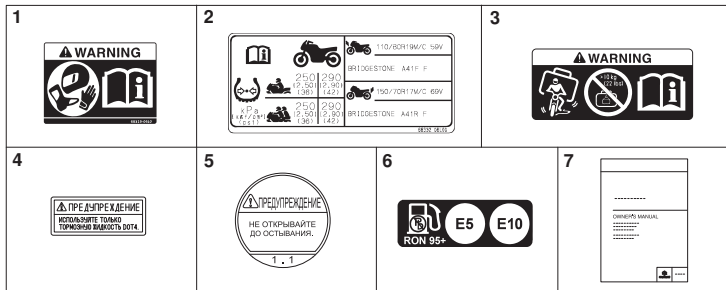


FIG.496F

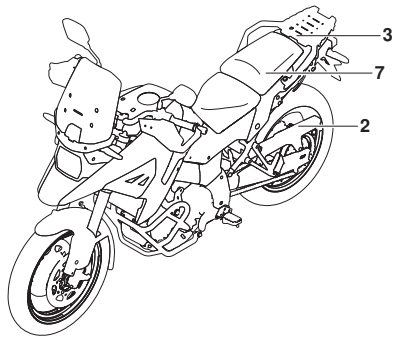
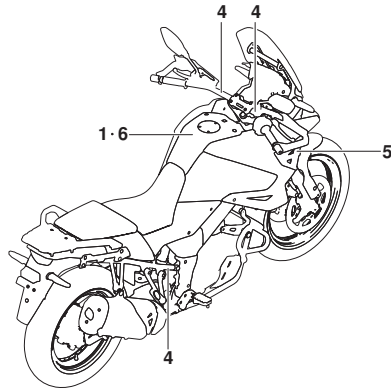


FIG.496F (1-H-4) LABEL (DL1050RJ)

REF NO.	PART NO.	DESCRIPTION	Q'TY	REMARKS
1-1	68319-06L00	LABEL,GENERAL WARNING	1	ENGLISH
1-2	68319-06L20	LABEL,GENERAL WARNING	1	GERMAN
1-3	68319-06L30	LABEL,GENERAL WARNING	1	FRENCH
1-4	68319-06L40	LABEL,GENERAL WARNING	1	ITALIAN
1-5	68319-06L50	LABEL,GENERAL WARNING	1	SPANISH
1-6	68319-06L70	LABEL,GENERAL WARNING	1	DUTCH
1-7	68319-06L80	LABEL,GENERAL WARNING	1	PORTUGUESE
1-8	68319-06L90	LABEL,GENERAL WARNING	1	SWEDISH
1-9	68319-06LA0	LABEL,GENERAL WARNING	1	FINNISH
1-10	68319-06LB0	LABEL,GENERAL WARNING	1	NORWEGIAN
1-11	68319-06LP0	LABEL,GENERAL WARNING	1	RUSSIAN
2	68332-06L20	LABEL,TIRE INFORMATION	1	
3-1	68391-06L00	LABEL,CARRIER WARNING	1	
3-2	68391-06L10	LABEL,CARRIER WARNING	1	FOR RUSSIAN
4	68386-14J01	LABEL,BRAKE FLUID INFORMATION	3	FOR RUSSIAN
5	17995-14JP1	LABEL,RADIATOR CAP	1	FOR RUSSIAN
6	11959-10LB0	LABEL,GASOLINE	1	
7-1	99011-06L52-01A	MANUAL,OWNER'S	1	ENGLISH
7-2	99011-06L52-01E	MANUAL,OWNER'S	1	ITALIAN
7-3	99011-06L52-01F	MANUAL,OWNER'S	1	FRENCH
7-4	99011-06L52-01H	MANUAL,OWNER'S	1	DUTCH
7-5	99011-06L52-01K	MANUAL,OWNER'S	1	GERMAN
7-6	99011-06L52-01T	MANUAL,OWNER'S	1	DANISH
7-7	99011-06L52-01W	MANUAL,OWNER'S	1	SWEDISH
7-8	99011-06L52-029	MANUAL,OWNER'S	1	SPANISH
7-9	99011-06L52-070	MANUAL,OWNER'S	1	RUSSIAN

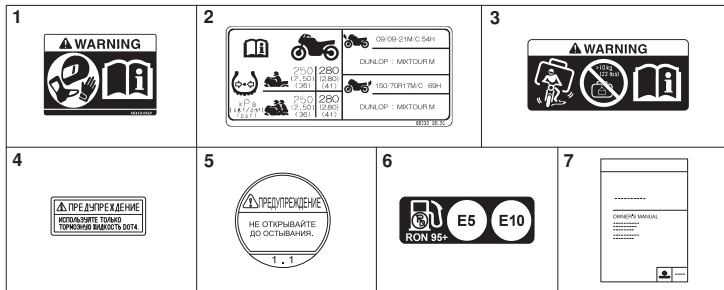


FIG.505A

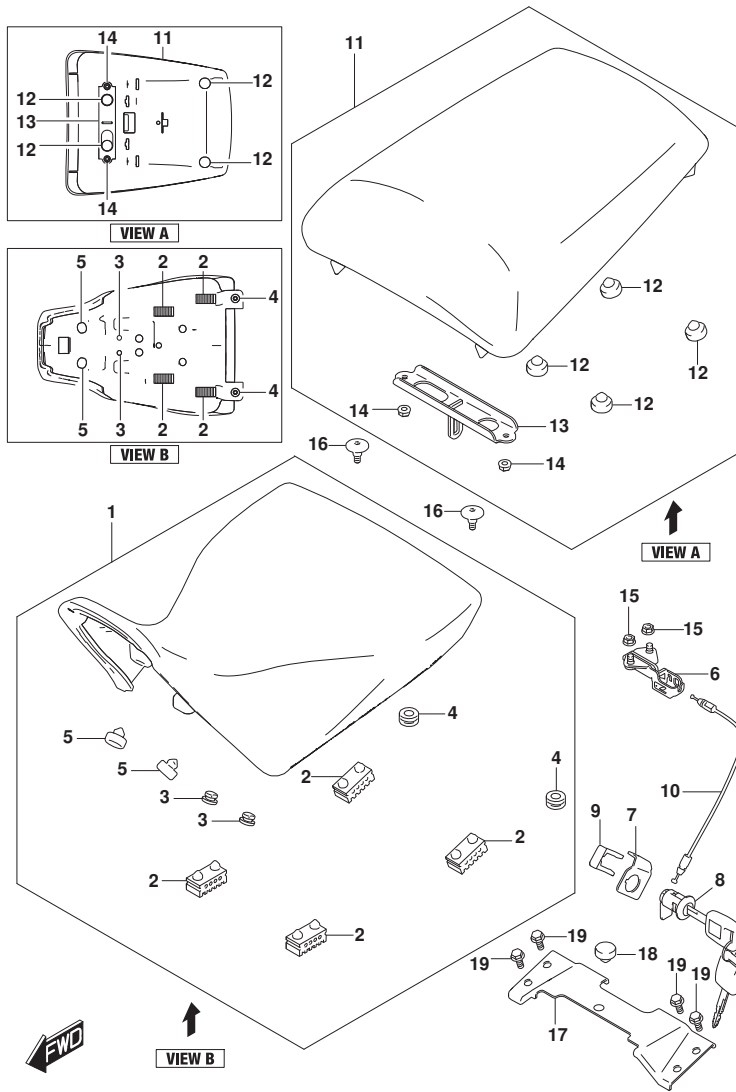


FIG.505A (1-H-5) SEAT (DL1050RJ)

REF NO.	PART NO.	DESCRIPTION	Q'TY	REMARKS
1-1	45100-06L20-CGL	SEAT ASSY	1	BODY COLOR:CD8,JWN
1-2	45100-06L20-B03	SEAT ASSY (GRAY,BLACK)	1	BODY COLOR:KGL
2	45149-31300	.CUSHION,SEAT (40X20X15)	4	
3	45148-27J00	.CUSHION,SEAT MOUNT	2	
4	09320-09501	.CUSHION (9X18X10)	2	
5	09321-10012	.CUSHION	2	
6	45220-04K20	BRACKET,STRIKER SUPPORT	1	
7	45288-14F00	GUIDE,SEAT LOCK CABLE	1	
8	95700-14810	LOCK SET,SEAT	1	
9	45289-11F00	PLATE,SEAT LOCK ASSY	1	
10	45280-06L00	CABLE,SEAT LOCK	1	
11-1	45300-06L00-CGL	SEAT ASSY,PILLION	1	BODY COLOR:CD8,JWN
11-2	45300-06L00-B03	SEAT ASSY,PILLION (GRAY,BLACK)	1	BODY COLOR:KGL
12	09321-10012	.CUSHION	4	
13	45290-17K00	.STRIKER,SEAT LOCK	1	
14	08316-1006A	.NUT (6X12)	2	
15	08316-1006A	NUT (6X12)	2	
16	09139-06206	SCREW (6X20)	2	
17	45121-06L10	BRIDGE,SEAT	1	
18	09321-10012	CUSHION	1	
19	01550-0616A	BOLT	4	

FIG.505B

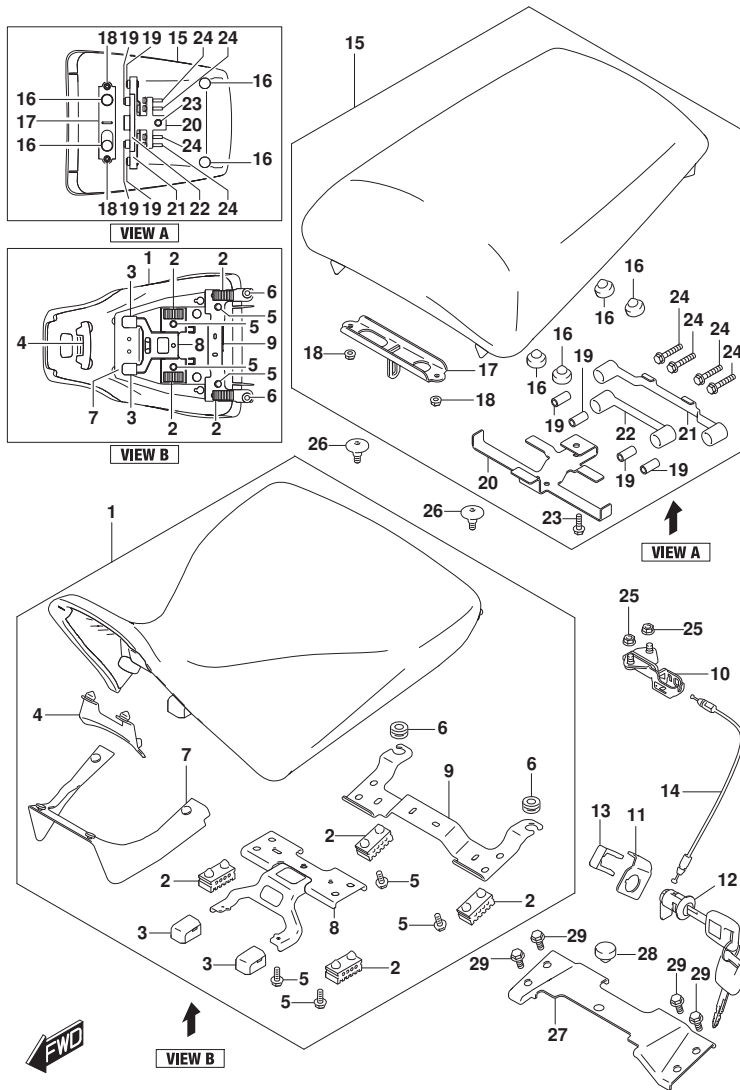


FIG.505B (1-H-6) SEAT (DL1050RR)

REF NO.	PART NO.	DESCRIPTION	Q'TY	REMARKS
1	45100-06L40-B03	SEAT ASSY (GRAY,BLACK)	1	
2	45149-31300	.CUSHION,SEAT (40X20X15)	4	
3	45141-06L00	.CUSHION,SEAT HOOK	2	
4	45154-06L00	.CUSHION,SEAT MOUNT	1	
5	01550-0616A	.BOLT	4	
6	09320-10069	.CUSHION	2	
7	45256-06L00	.SHEET,HEAT SHIELD	1	
8	45452-06L10	.FRAME,SEAT NO.2	1	
9	45451-06L10	.FRAME,SEAT NO.1	1	
10	45220-04K20	BRACKET,STRIKER SUPPORT	1	
11	45288-14F00	GUIDE,SEAT LOCK CABLE	1	
12	95700-14810	LOCK SET,SEAT	1	
13	45289-11F00	PLATE,SEAT LOCK ASSY	1	
14	45280-06L00	CABLE,SEAT LOCK	1	
15	45300-06L10-B03	SEAT ASSY,PILLION (GRAY,BLACK)	1	
16	09321-10012	.CUSHION	4	
17	45290-17K00	.STRIKER,SEAT LOCK	1	
18	08316-1006A	.NUT (6X12)	2	
19	09180-06314	.SPACER (6.5X12X21)	4	
20	45321-06L00	.PLATE,SEAT	1	
21	45312-06L00	.SPACER,SEAT NO.1	1	
22	45313-06L00	.SPACER,SEAT NO.2	1	
23	01550-0620A	.BOLT	1	
24	01550-0635A	.BOLT	4	
25	08316-1006A	NUT (6X12)	2	
26	09139-06193	SCREW (6X20)	2	
27	45121-06L10	BRIDGE,SEAT	1	
28	09321-10012	CUSHION	1	
29	01550-0616A	BOLT	4	

FIG.521A

FIG.521A (1-H-7) FRONT FORK DAMPER (DL1050RR)

REF NO.	PART NO.	DESCRIPTION	Q'TY	REMARKS
1	51103-06L00	DAMPER ASSY RH	1	
2	51110-31J21	.TUBE,INNER,R	1	
3	51158-14200	.WASHER	1	
4	51153-44G00	.SEAL,OIL	1	
5	51156-14200	.RING,STOPPER	1	
6	51173-02FA0	.SEAL,DUST	1	
7	51146-06L00	.CYLINDER	1	
8	51352-13A60	.NUT,ROD	1	
9	51171-31J00	.SPRING	1	
10	51158-40F30	.WASHER	1	
11	51176-48G10	.SPACER,SPRING	1	
12	51131-31J30	.TUBE,OUTER	1	
13	51351-31J30	.CAP	1	
14	62278-14100	..O RING	1	
15	51112-31J00	.PISTON	1	
16	51152-31J00	.METAL,SLIDE	1	
17	51178-31J00	.SEAT,SPRING	1	
18	51104-06L00	DAMPER ASSY LH	1	
19	51120-31J21	.TUBE,INNER,L	1	
20	51158-14200	.WASHER	1	
21	51153-44G00	.SEAL,OIL	1	
22	51156-14200	.RING,STOPPER	1	
23	51173-02FA0	.SEAL,DUST	1	
24	51146-06L00	.CYLINDER	1	
25	51352-13A60	.NUT,ROD	1	
26	51171-31J00	.SPRING	1	
27	51158-40F30	.WASHER	1	
28	51176-48G10	.SPACER,SPRING	1	
29	51131-31J30	.TUBE,OUTER	1	
30	51351-31J30	.CAP	1	
31	62278-14100	..O RING	1	
32	51112-31J00	.PISTON	1	
33	51152-31J00	.METAL,SLIDE	1	
34	51178-31J00	.SEAT,SPRING	1	
35	51166-24F60	BOLT	4	

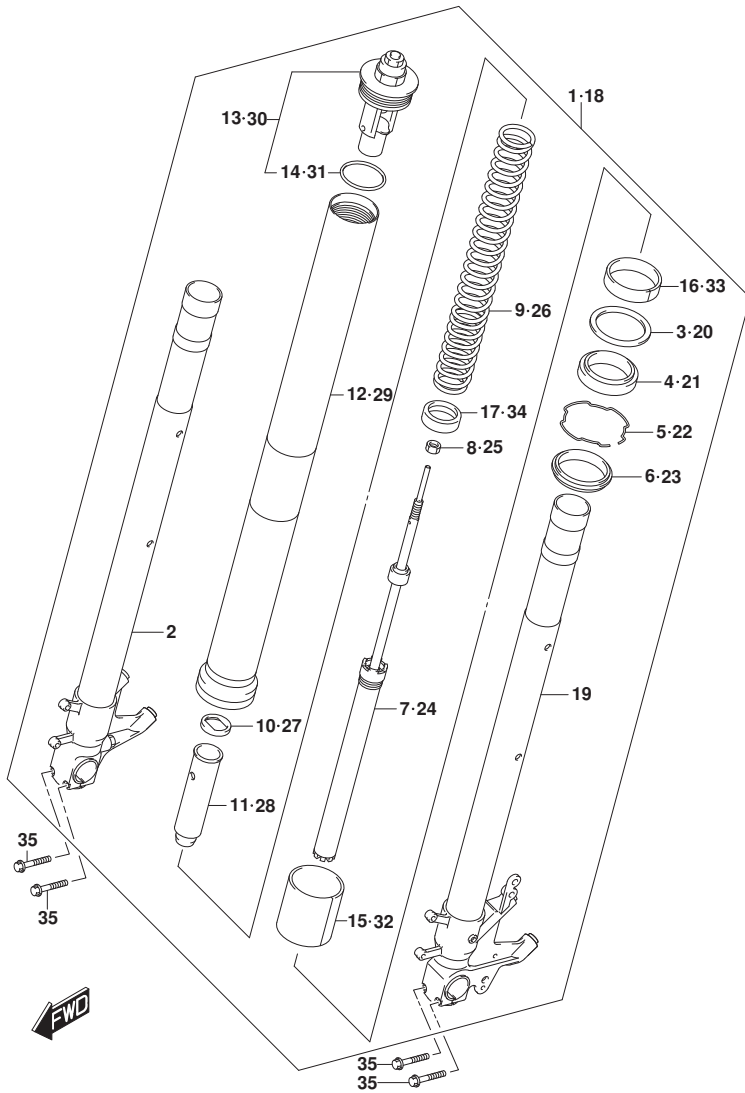


FIG.521B

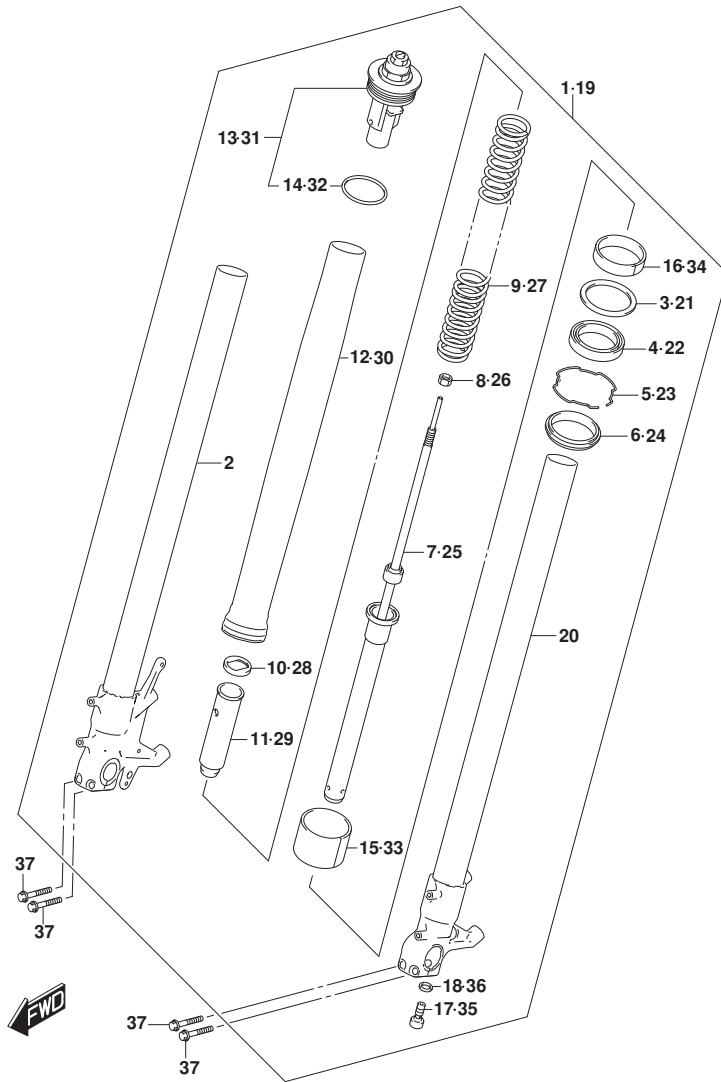


FIG.521B (1-H-8) FRONT FORK DAMPER (DL1050RJ)

REF NO.	PART NO.	DESCRIPTION	Q'TY	REMARKS
1	51103-06LA0	DAMPER ASSY,RH	1	
2	51110-06LA0	.TUBE,INNER,R	1	
3	51158-14200	.WASHER	1	
4	51153-44G00	.SEAL,OIL	1	
5	51156-14200	.RING,STOPPER	1	
6	51173-02FA0	.SEAL,DUST	1	
7	51146-06LA0	.CYLINDER	1	
8	51352-13A60	.NUT,ROD	1	
9	51171-06LA0	.SPRING	1	
10	51158-40F30	.WASHER	1	
11	51176-48G10	.SPACER,SPRING	1	
12	51131-06LA0	.TUBE,OUTER	1	
13	51351-48K00	.CAP	1	
14	62278-14100	.O RING	1	
15	51112-31J00	.PISTON	1	
16	51152-31J00	.METAL,SLIDE	1	
17	51147-24F50	.BOLT	1	
18	51148-41310	.GASKET	1	
19	51104-06LA0	DAMPER ASSY,LH	1	
20	51120-06LA0	.TUBE,INNER,L	1	
21	51158-14200	.WASHER	1	
22	51153-44G00	.SEAL,OIL	1	
23	51156-14200	.RING,STOPPER	1	
24	51173-02FA0	.SEAL,DUST	1	
25	51146-06LA0	.CYLINDER	1	
26	51352-13A60	.NUT,ROD	1	
27	51171-06LA0	.SPRING	1	
28	51158-40F30	.WASHER	1	
29	51176-48G10	.SPACER,SPRING	1	
30	51131-06LA0	.TUBE,OUTER	1	
31	51351-48K00	.CAP	1	
32	62278-14100	.O RING	1	
33	51112-31J00	.PISTON	1	
34	51152-31J00	.METAL,SLIDE	1	
35	51147-24F50	.BOLT	1	

FIG.521B

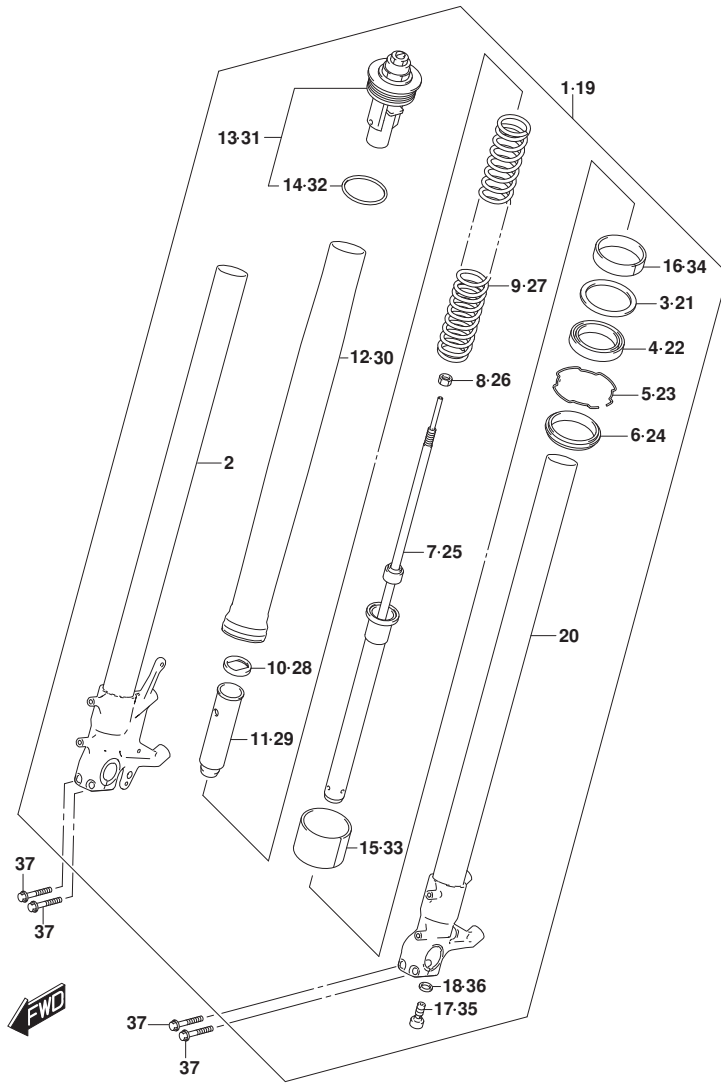


FIG.521B (1-H-9) FRONT FORK DAMPER (DL1050RJ)

REF NO.	PART NO.	DESCRIPTION	Q'TY	REMARKS
36	51148-41310	.GASKET	1	
37	51166-10G10	BOLT,AXLE STOPPER	4	

FIG.524A

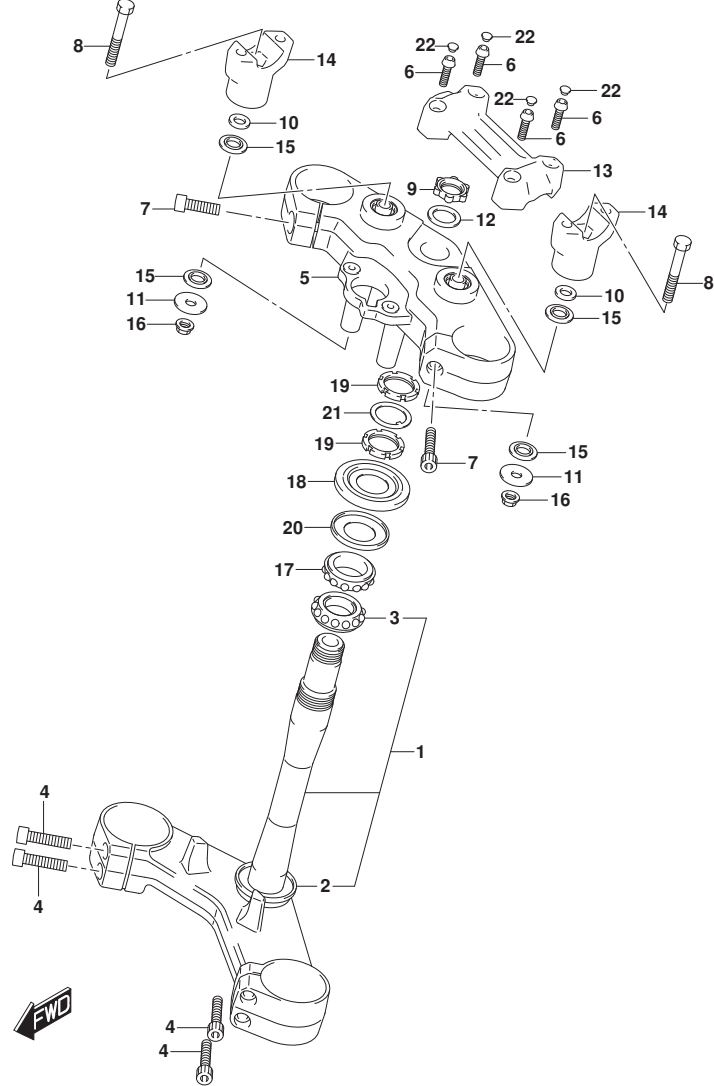


FIG.524A (1-H-10) STEERING STEM (DL1050RR)

REF NO.	PART NO.	DESCRIPTION	Q'TY	REMARKS
1	51410-31J00	BRACKET, UNDER	1	
2	51644-12C00	.SEAL, STEERING LOWER (30.1X56X4)	1	
3	09267-30010	.BEARING (30X55X17)	1	
4	51166-40H20	BOLT (8X40)	4	
5	51310-06L00-QSC	.BRACKET, UPPER (SILVER)	1	
6	51166-40H20	BOLT (8X40)	2	
7	51166-40H20	BOLT (8X40)	4	
8	51321-06L00	BOLT, HANDLE HOLDER LOWER	2	
9	51353-06L00	NUT	1	
10	51354-17H00	WASHER	2	
11	51355-16G00	WASHER	2	
12	51356-24F50	WASHER	1	
13	51331-06L00-QSC	HOLDER, HANDLE UPPER (SILVER)	1	
14	51332-06L00-QSC	HOLDER, HANDLE LOWER (SILVER)	2	
15	56245-31J00	RUBBER, HANDLE HOLDER	4	
16	08319-3110A	NUT	2	
17	09267-30010	BEARING (30X55X17)	1	
18	51643-41G00	COVER, STEERING UPR	1	
19	51631-33E00	NUT, STEERING STEM	2	
20	51644-12C00	SEAL, STEERING LOWER (30.1X56X4)	1	
21	51641-33E00	WASHER, STEERING STEM	1	
22	09250-06015	CAP (OD:10.5)	4	

FIG.524B

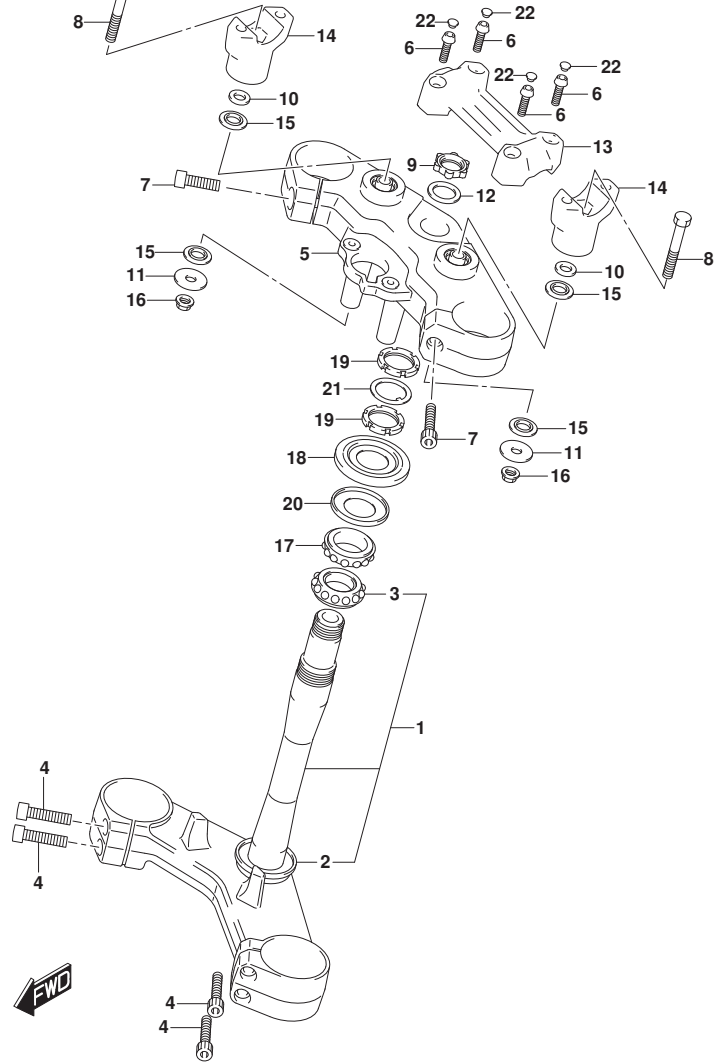


FIG.524B (1-H-11) STEERING STEM (DL1050RJ)

REF NO.	PART NO.	DESCRIPTION	Q'TY	REMARKS
1	51410-31J00	BRACKET, UNDER	1	
2	51644-12C00	.SEAL, STEERING LOWER (30.1X56X 4)	1	
3	09267-30010	.BEARING (30X55X17)	1	
4	51166-40H20	BOLT (8X40)	4	
5	51310-06L00-QSC	BRACKET, UPPER (SILVER)	1	
6	51166-40H20	BOLT (8X40)	2	
7	51166-40H20	BOLT (8X40)	4	
8	51321-06L00	BOLT, HANDLE HOLDER LOWER	2	
9	51353-24F00	NUT	1	
10	51354-17H00	WASHER	2	
11	51355-16G00	WASHER	2	
12	51356-24F50	WASHER	1	
13	51331-06L00-QSC	HOLDER, HANDLE UPPER (SILVER)	1	
14	51332-06L00-QSC	HOLDER, HANDLE LOWER (SILVER)	2	
15	56245-31J00	RUBBER, HANDLE HOLDER	4	
16	08319-3110A	NUT	2	
17	09267-30010	BEARING (30X55X17)	1	
18	51643-41G00	COVER, STEERING UPR	1	
19	51631-33E00	NUT, STEERING STEM	2	
20	51644-12C00	SEAL, STEERING LOWER (30.1X56X4)	1	
21	51641-33E00	WASHER, STEERING STEM	1	
22	09250-06015	CAP (OD:10.5)	4	

FIG.530A

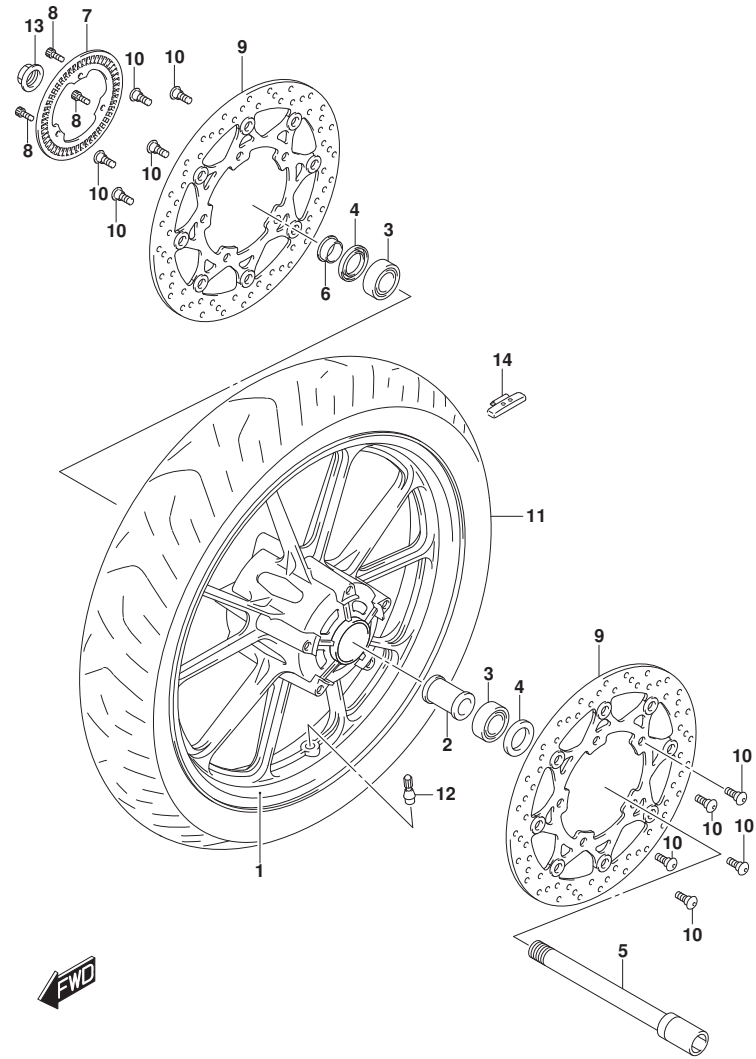


FIG.530A (1-H-12) FRONT WHEEL (DL1050RR)

REF NO.	PART NO.	DESCRIPTION	Q'TY	REMARKS
1-1	54111-31J01-QGY	WHEEL,FR (RED)	1	BODY COLOR:CB8,BNR
1-2	54111-31J01-019	WHEEL,FR (BLACK)	1	BODY COLOR:CGG
1-3	54111-31J01-YPU	WHEEL,FR (GOLD)	1	BODY COLOR:KGL
2	54731-33E20	SPACER,FR HUB BEARING	1	
3	09262-25191	BEARING (25X52X15)	2	
4	09285-32004	SEAL,OIL (32X52X7)	2	
5	54711-31J00	AXLE,FR	1	
6	54751-41G10	SPACER,FR AXLE,R	1	
7	54162-27G10	RING,SPEED SENSOR FR	1	
8	07130-0512A	BOLT	3	
9	59210-31J10	DISC,FRONT BRAKE	2	
10	09106-08208	BOLT,DISC	10	
11	55110-06L01	TIRE,FRONT	1	
12	#43130-24A00	VALVE ASSY,WHEEL RIM (TR412)	1	
13	54712-47H00	NUT,FR AXLE	1	
14-1	55411-22H00	BALANCER,WHEEL (10G)	AR	
14-2	55412-22H00	BALANCER,WHEEL (20G)	AR	
14-3	55413-22H00	BALANCER,WHEEL (30G)	AR	

FIG.530B

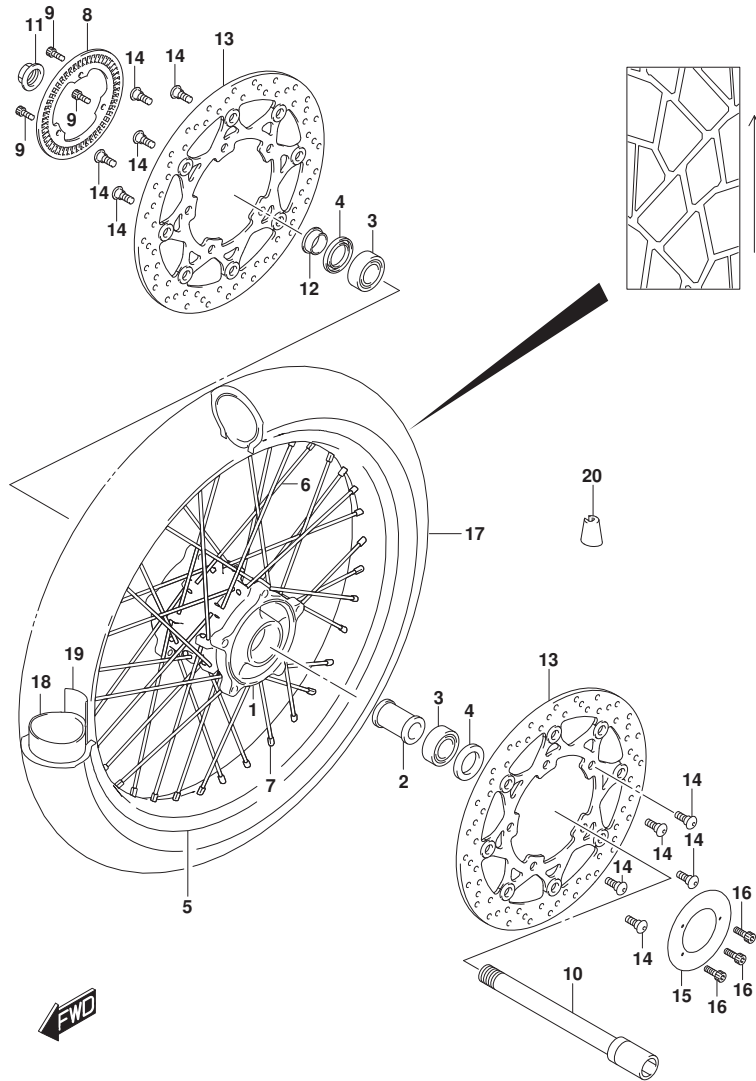


FIG.530B (1-H-13) FRONT WHEEL (DL1050RJ)

REF NO.	PART NO.	DESCRIPTION	Q'TY	REMARKS
1	54111-06L00	HUB,FRONT	1	
2	54731-33E20	SPACER,FR HUB BEARING	1	
3	09262-25191	BEARING (25X52X15)	2	
4	09285-32004	SEAL,OIL (32X52X7)	2	
5-1	55311-06L00	RIM,FRONT WHEEL	1	BLACK BODY COLOR:KGL
5-2	55311-06L10	RIM,FRONT WHEEL	1	GOLD BODY COLOR:CD8
5-3	55311-06L20	RIM,FRONT WHEEL	1	BLUE BODY COLOR:JWN
6	55321-06L00	SPOKE,FRONT WHEEL	36	
7	55326-06L00	NIPPLE,WHEEL SPOKE	36	
8	54162-27G10	RING,SPEED SENSOR FR	1	
9	07130-0512A	BOLT	3	
10	54711-31J00	AXLE,FR	1	
11	54712-47H00	NUT,FR AXLE	1	
12	54751-41G10	SPACER,FR AXLE,R	1	
13	59210-31J10	DISC,FRONT BRAKE	2	
14	09106-08208	BOLT,DISC	10	
15	54132-06L00	PLATE,FRONT HUB	1	
16	07130-0512A	BOLT	3	
17	55110-06L11	TIRE,FRONT	1	
18	#55200-29F00	TUBE ASSY,WHEEL INNER	1	
19	#55261-44AF0	PROTECTOR,WHEEL INNER TUBE	1	
20	55412-41F00	BALANCER,WHEEL (20G)	AR	

FIG.533A

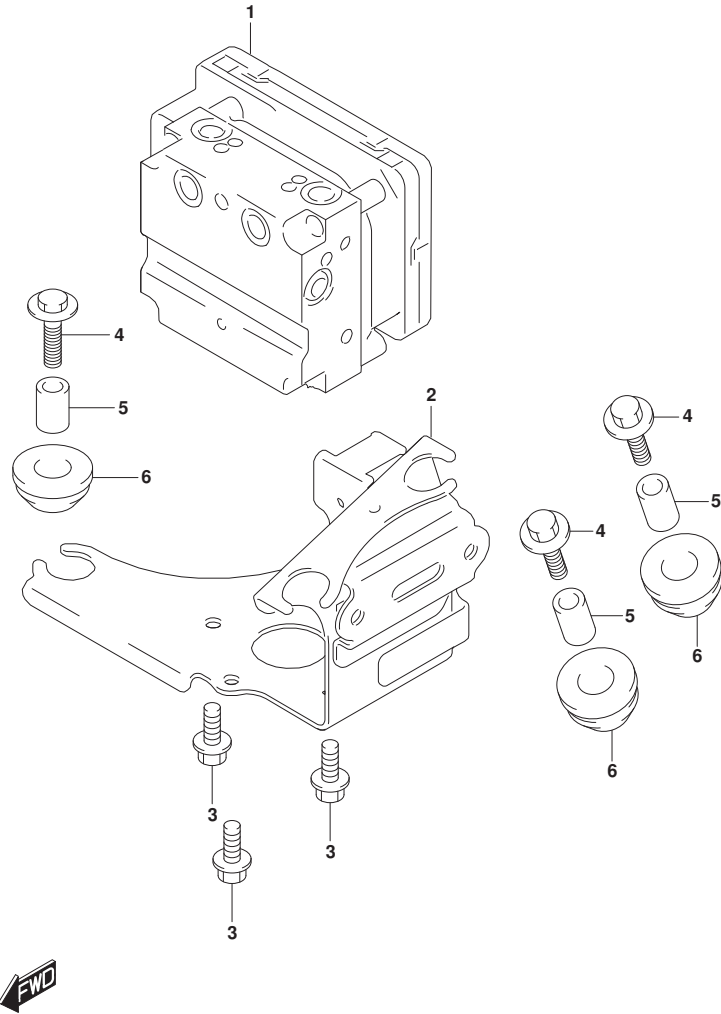


FIG.533A (1-H-14) HYDRAULIC UNIT (DL1050RR)

REF NO.	PART NO.	DESCRIPTION	Q'TY	REMARKS
1	55610-06L20	UNIT ASSY, HYDRAULIC ABS	1	
2	55660-06L20	HOLDER, HYDR UNIT ABS	1	
3	01550-0610A	BOLT	3	
4	55661-10G00	BOLT, HYDR UNIT MTG (6X25)	3	
5	55662-10G00	SPACER, HYDR UNIT MTG (#05)	3	
6	09320-10066	RUBBER	3	

FIG.533B

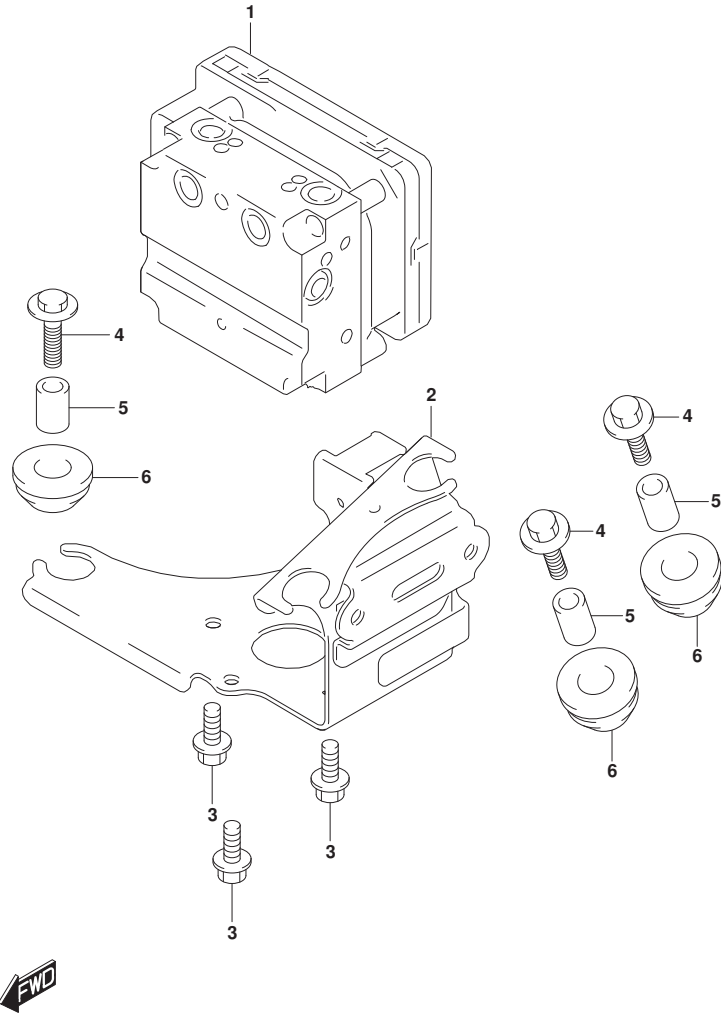


FIG.533B (1-H-15) HYDRAULIC UNIT (DL1050RJ)

REF NO.	PART NO.	DESCRIPTION	Q'TY	REMARKS
1	55610-06L30	UNIT ASSY, HYDRAULIC ABS	1	
2	55660-06L20	HOLDER, HYDR UNIT ABS	1	
3	01550-0610A	BOLT	3	
4	55661-10G00	BOLT, HYDR UNIT MTG (6X25)	3	
5	55662-10G00	SPACER, HYDR UNIT MTG (#05)	3	
6	09320-10066	RUBBER	3	

FIG.534A

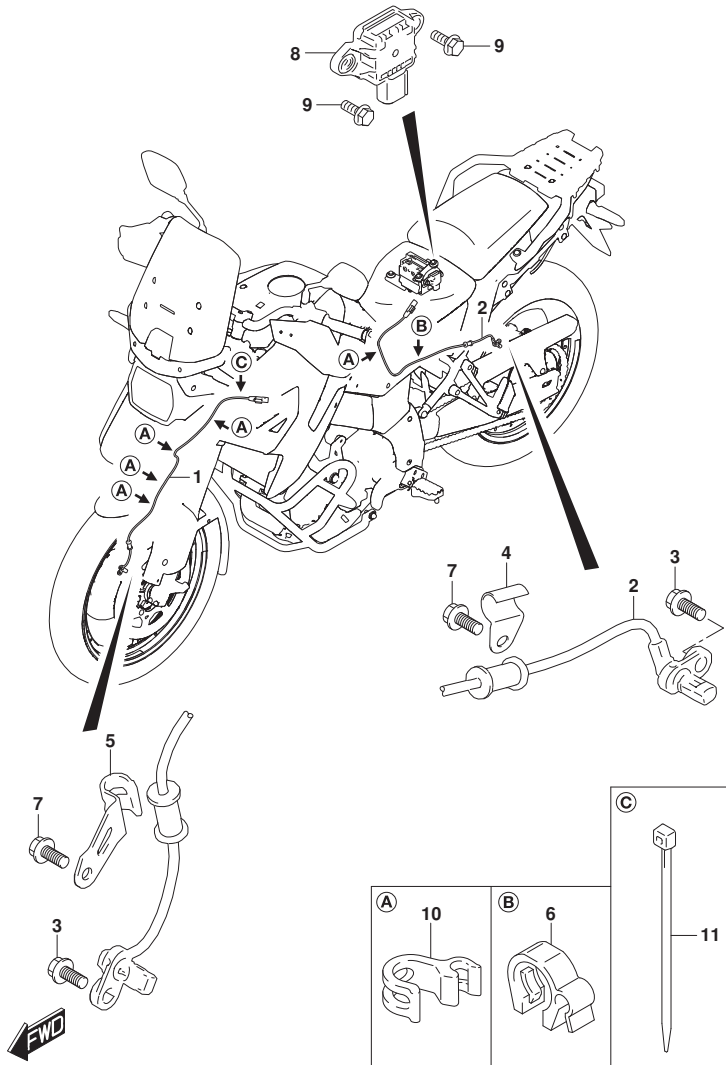


FIG.534A (1-H-16) BODY ELECTRICAL (DL1050RR)

REF NO.	PART NO.	DESCRIPTION	Q'TY	REMARKS
1	55710-06L20	SENSOR,FR WHEEL SPEED	1	
2	65710-06L00	SENSOR,RR WHEEL SPEED	1	
3	01547-0616B	BOLT	2	
4	55731-06L00	CLAMP,FR WHEEL SPEED SENSOR	1	
5	55731-23H00	CLAMP,ABS SENSOR FR	1	
6	09408-00307	CLAMP	1	
7	01547-0616B	BOLT	2	
8	55750-06L00	SENSOR,INERTIAL	1	
9	01550-0616A	BOLT	2	
10	55734-06L00	CLAMP,SENSOR LEAD	5	
11	09407-14407	CLAMP (L:145)	1	

FIG.534B

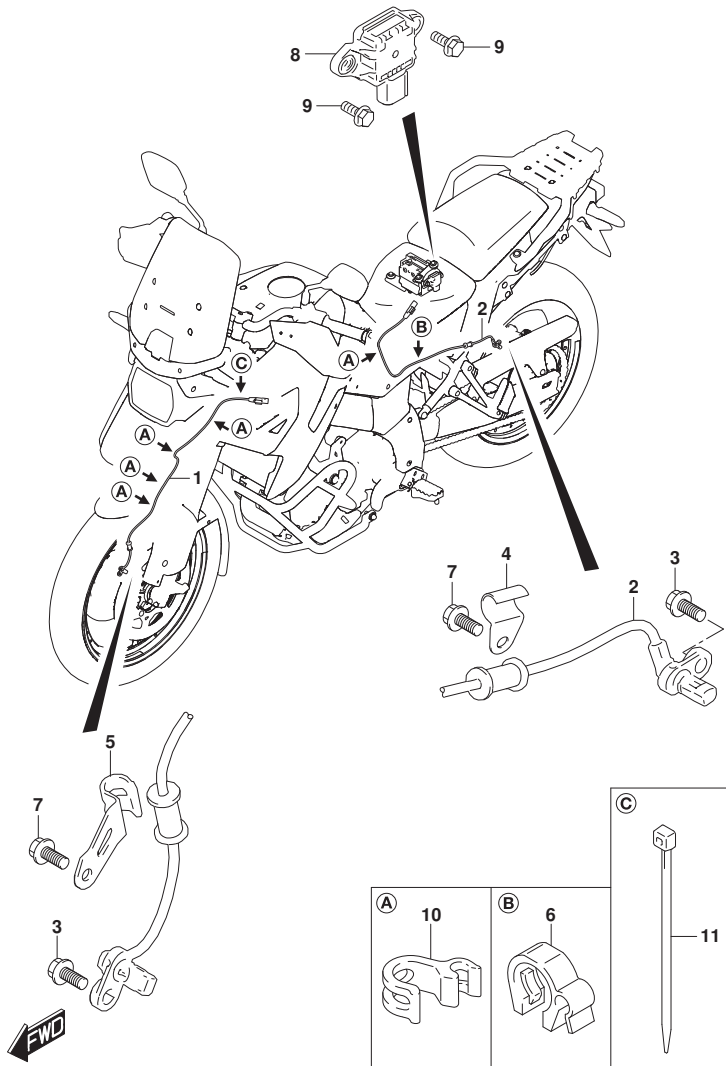


FIG.534B (1-1-2) BODY ELECTRICAL (DL1050RJ)

REF NO.	PART NO.	DESCRIPTION	Q'TY	REMARKS
1	55710-06L10	SENSOR,FR WHEEL SPEED	1	
2	65710-06L10	SENSOR,RR WHEEL SPEED	1	
3	01547-0616B	BOLT	2	
4	55731-06L00	CLAMP,FR WHEEL SPEED SENSOR	1	
5	55731-23H00	CLAMP,ABS SENSOR FR	1	
6	09408-00307	CLAMP	1	
7	01547-0616B	BOLT	2	
8	55750-06L00	SENSOR,INERTIAL	1	
9	01550-0616A	BOLT	2	
10	55734-06L00	CLAMP,SENSOR LEAD	5	
11	09407-14407	CLAMP (L:145)	1	

FIG.535A

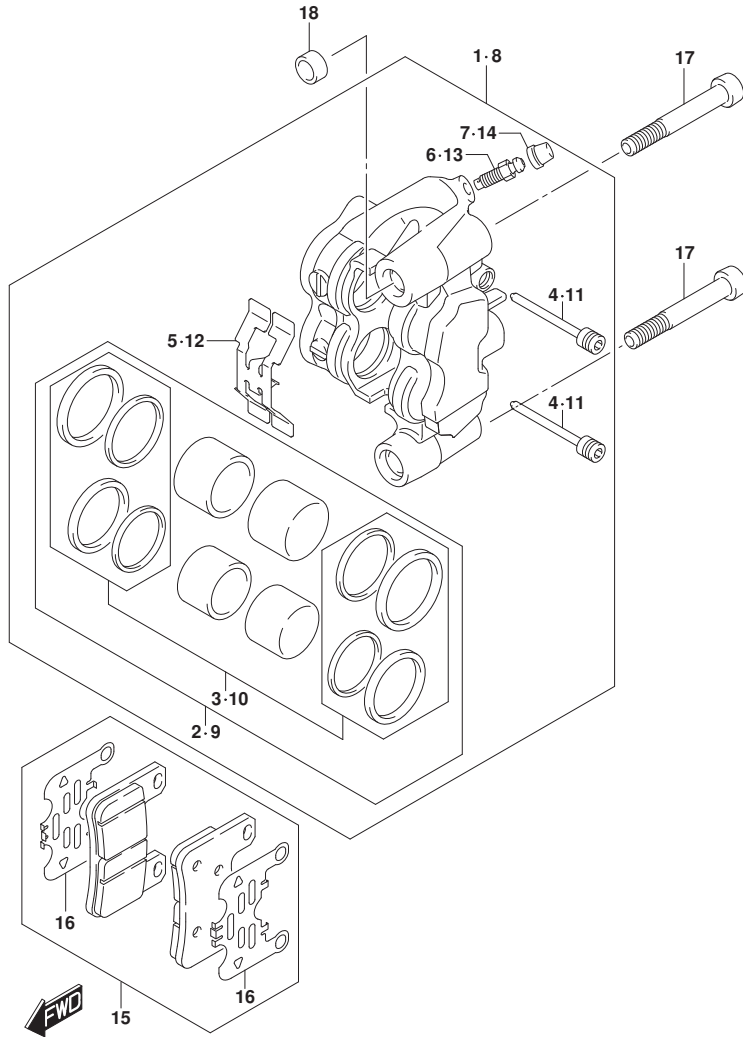


FIG.535A (1-1-3) FRONT CALIPER

REF NO.	PART NO.	DESCRIPTION	Q'TY	REMARKS
1	59100-31J00-999	CALIPER ASSY,FR RH	1	
2	59100-31810	.PISTON SET	1	
3	59101-47810	..SEAL SET,PISTON	1	
4	59141-41G10	.PIN	2	
5	59151-29G00	.SPRING,PAD	1	
6	59121-18410	.BLEEDER	1	
7	55156-66310	.CAP,BLEEDER PLUG (M10X1)	1	
8	59300-31J00-999	CALIPER ASSY,FR LH	1	
9	59100-31810	.PISTON SET	1	
10	59101-47810	..SEAL SET,PISTON	1	
11	59141-41G10	.PIN	2	
12	59151-29G00	.SPRING,PAD	1	
13	59121-18410	.BLEEDER	1	
14	55156-66310	.CAP,BLEEDER PLUG (M10X1)	1	
15	59100-31820	PAD & SHIM SET	2	
16	59171-31J00	.SHIM	4	
17	09106-10096	BOLT	4	
18	59151-41G00	PIN,CALIPER	4	

FIG.536A

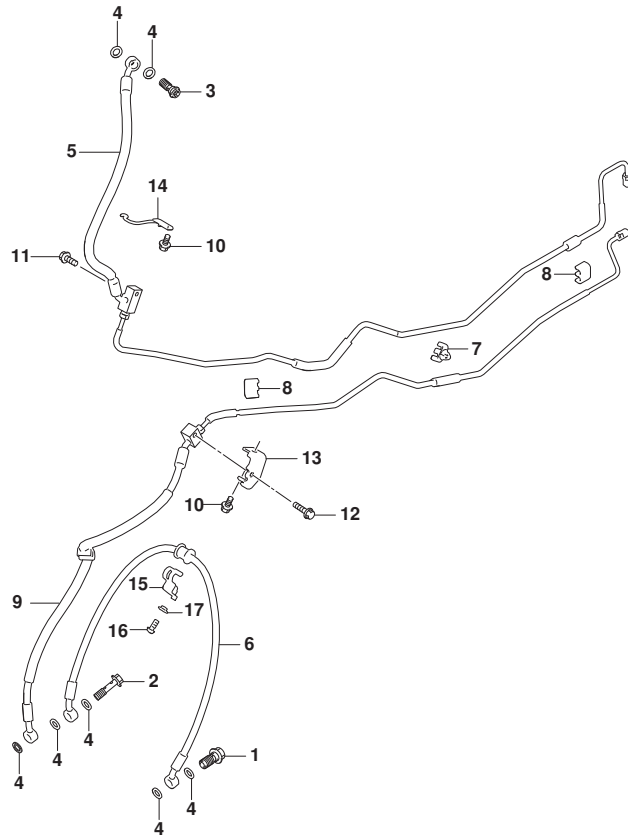


FIG.536A (1-1-4) FRONT BRAKE HOSE (DL1050RJ)

REF NO.	PART NO.	DESCRIPTION	Q'TY	REMARKS
1	09360-10042	UNION (10X1.25X22)	1	
2	09360-10069	UNION	1	
3	09360-10053	UNION (10X1.25X22)	1	
4	09161-10009	WASHER (10X15X1.5)	7	
5	59200-06L40	HOSE ASSY,FR BK MASTER TO UNIT	1	
6	59240-06L20	HOSE,FR BK CLPR TO CLPR	1	
7	09403-07344	CLAMP	1	
8	09403-06324	CLAMP	2	
9	59400-06L40	HOSE ASSY,FR UNIT TO BK CLPR	1	
10	01547-0612B	BOLT	2	
11	01547-0616B	BOLT	1	
12	01547-0625B	BOLT	1	
13	59261-06L00	CLAMP,FR BRAKE HOSE NO.1	1	
14	59260-06L00	GUIDE,FR BRAKE HOSE	1	
15	59270-15H00	CLAMP,FR BK HOSE NO.3	1	
16	09103-06281	BOLT (6X14)	1	
17	09169-06082	WASHER	1	

FIG.536B

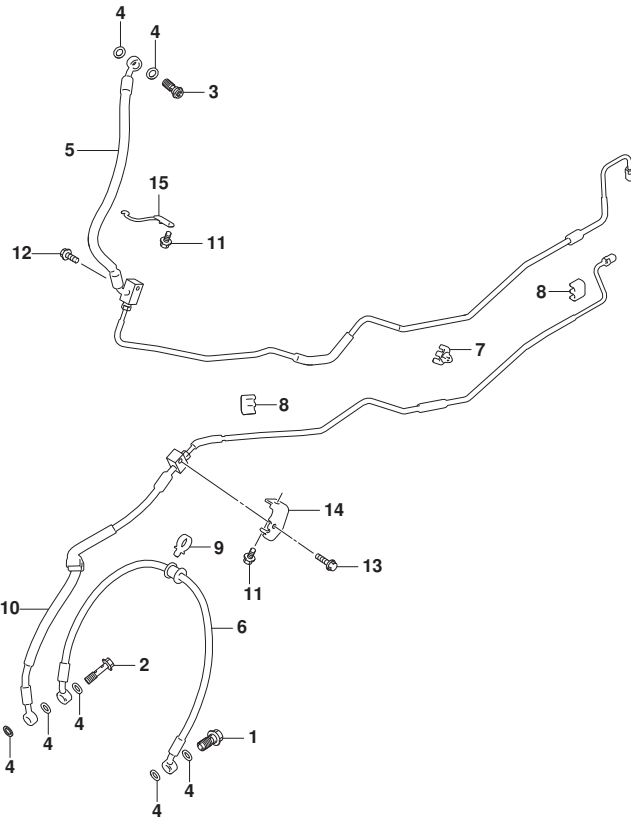


FIG.536B (1-1-5) FRONT BRAKE HOSE (DL1050RR)

REF NO.	PART NO.	DESCRIPTION	Q'TY	REMARKS
1	09360-10042	UNION (10X1.25X22)	1	
2	09360-10069	UNION	1	
3	09360-10053	UNION (10X1.25X22)	1	
4	09161-10009	WASHER (10X15X1.5)	7	
5	59200-06L60	HOSE ASSY,FR BK MASTER TO UNIT	1	
6	59240-06L00	HOSE,FR BK CLPR TO CLPR	1	
7	09403-07344	CLAMP	1	
8	09403-06324	CLAMP	2	
9	09403-16412	CLAMP	1	
10	59400-06L60	HOSE ASSY,FR UNIT TO BK CLPR	1	
11	01547-0612B	BOLT	2	
12	01547-0616B	BOLT	1	
13	01547-0625B	BOLT	1	
14	59261-06L00	CLAMP,FR BRAKE HOSE NO.1	1	
15	59260-06L00	GUIDE,FR BRAKE HOSE	1	



FIG.537B

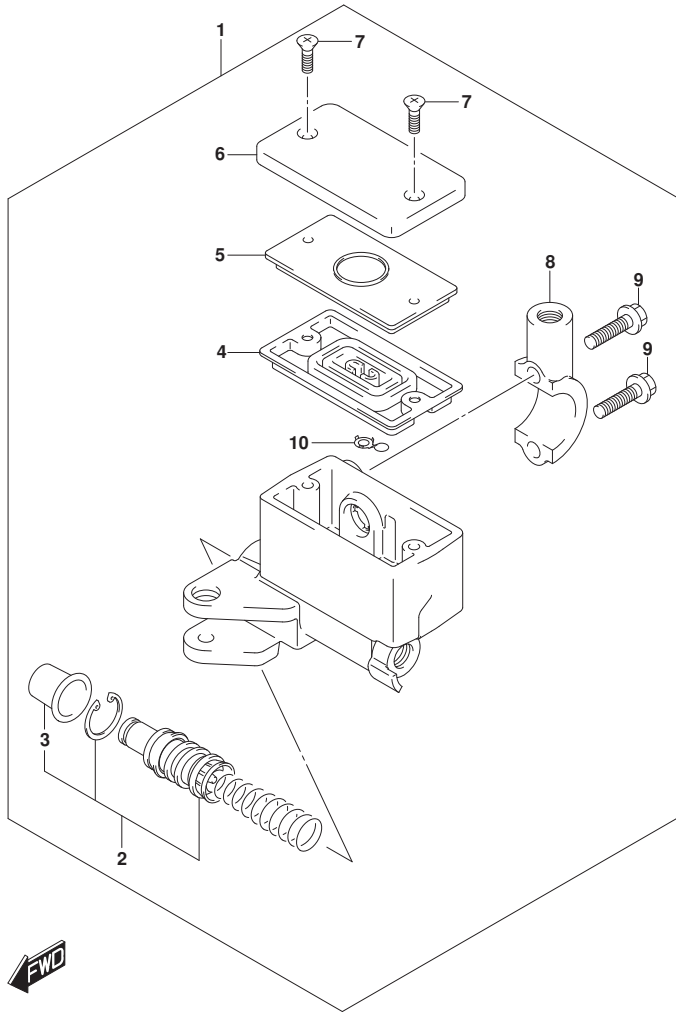


FIG.537B (1-I-6) FRONT MASTER CYLINDER

REF NO.	PART NO.	DESCRIPTION	Q'TY	REMARKS
1	59600-10G30	CYLINDER ASSY,FRONT MASTER	1	
2	59600-45870	.PISTON & CUP SET	1	
3	59666-44300	..BOOT	1	
4	59667-49460	.DIAPHRAGM	1	
5	59668-41C00	.PLATE,DIAPHRAGM	1	
6	59669-10G00	.CAP	1	
7	69689-49300	.SCREW,RESERVOIR CAP	2	
8	59671-32F00	.HOLDER	1	
9	59675-02FA0	.BOLT (6X22)	2	
10	59664-32F00	.PROTECTOR	1	



FIG.539C

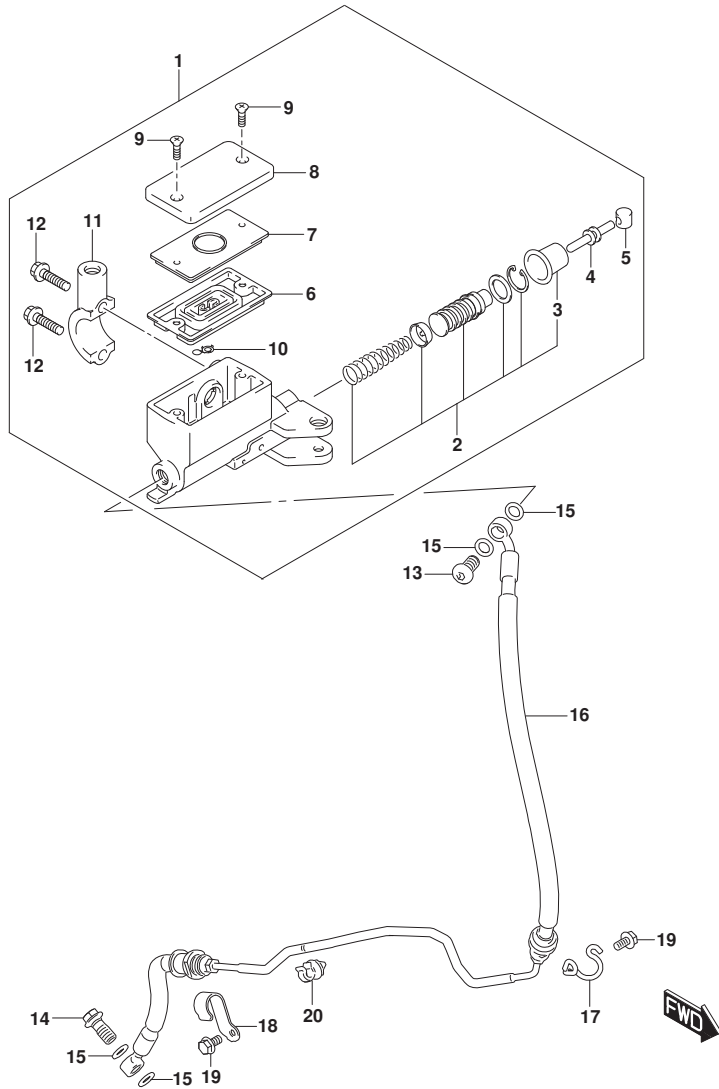


FIG.539C (1-I-7) CLUTCH MASTER CYLINDER (DL1050RR)

REF NO.	PART NO.	DESCRIPTION	Q'TY	REMARKS
1	59800-32F30	CYLINDER ASSY,CLUTCH MASTER	1	
2	59800-31810	.PISTON & CUP SET	1	
3	59866-23H00	.BOOT	1	
4	59871-23H10	.ROD,PUSH	1	
5	59892-08A00	.BUSH	1	
6	59667-49460	.DIAPHRAGM	1	
7	59668-41C00	.PLATE,DIAPHRAGM	1	
8	59669-10G00	.CAP	1	
9	69689-49300	.SCREW,RESERVOIR CAP	2	
10	59664-32F00	.PROTECTOR	1	
11	59671-32F00	.HOLDER	1	
12	59675-02FA0	.BOLT (6X22)	2	
13	09360-10053	UNION (10X1.25X22)	1	
14	09360-10042	UNION (10X1.25X22)	1	
15	09161-10009	WASHER (10X15X1.5)	4	
16	59900-06L00	HOSE ASSY,CLUTCH	1	
17	59915-06L00	CLAMP,CLUTCH HOSE NO.1	1	
18	59921-06L00	CLAMP,CLUTCH HOSE NO.2	1	
19	09403-07331	CLAMP	1	
20	07120-0612A	BOLT	2	

FIG.539D

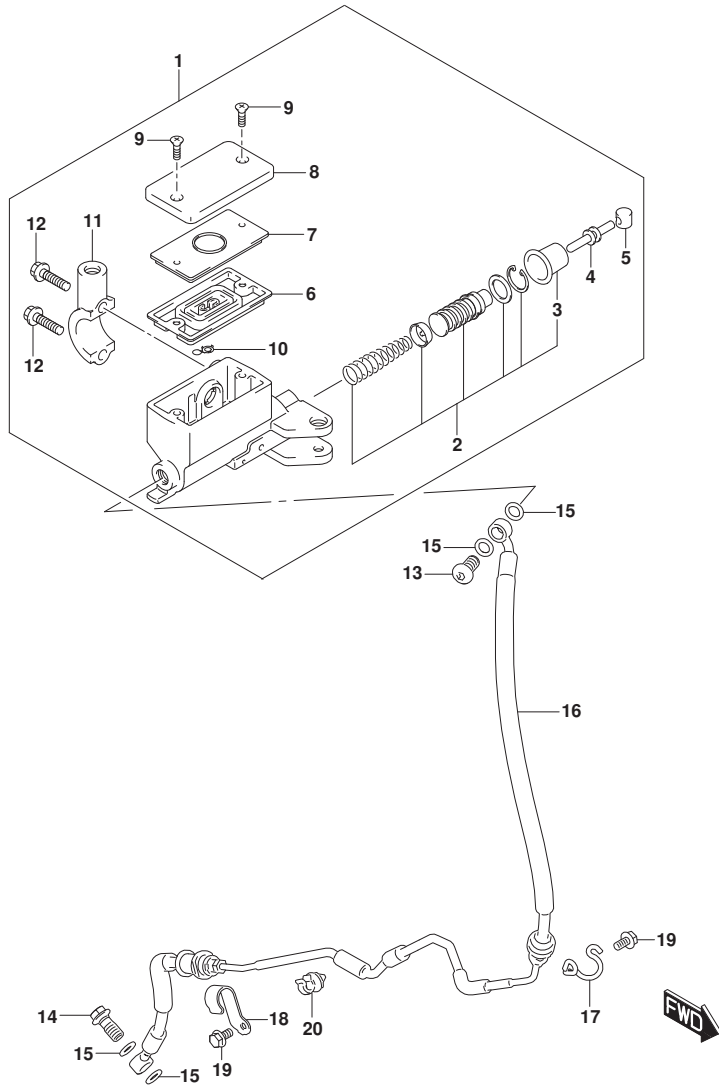


FIG.539D (1-1-8) CLUTCH MASTER CYLINDER (DL1050RJ)

REF NO.	PART NO.	DESCRIPTION	Q'TY	REMARKS
1	59800-32F30	CYLINDER ASSY,CLUTCH MASTER	1	
2	59800-31810	.PISTON & CUP SET	1	
3	59866-23H00	..BOOT	1	
4	59871-23H10	.ROD,PUSH	1	
5	59892-08A00	.BUSH	1	
6	59667-49460	.DIAPHRAGM	1	
7	59668-41C00	.PLATE,DIAPHRAGM	1	
8	59669-10G00	.CAP	1	
9	69689-49300	.SCREW,RESERVOIR CAP	2	
10	59664-32F00	.PROTECTOR	1	
11	59671-32F00	.HOLDER	1	
12	59675-02FA0	.BOLT (6X22)	2	
13	09360-10053	UNION (10X1.25X22)	1	
14	09360-10042	UNION (10X1.25X22)	1	
15	09161-10009	WASHER (10X15X1.5)	4	
16	59900-06L30	HOSE ASSY,CLUTCH	1	
17	59915-06L00	CLAMP,CLUTCH HOSE NO.1	1	
18	59921-06L00	CLAMP,CLUTCH HOSE NO.2	1	
19	09403-07331	CLAMP	1	
20	07120-0612A	BOLT	2	

FIG.541A

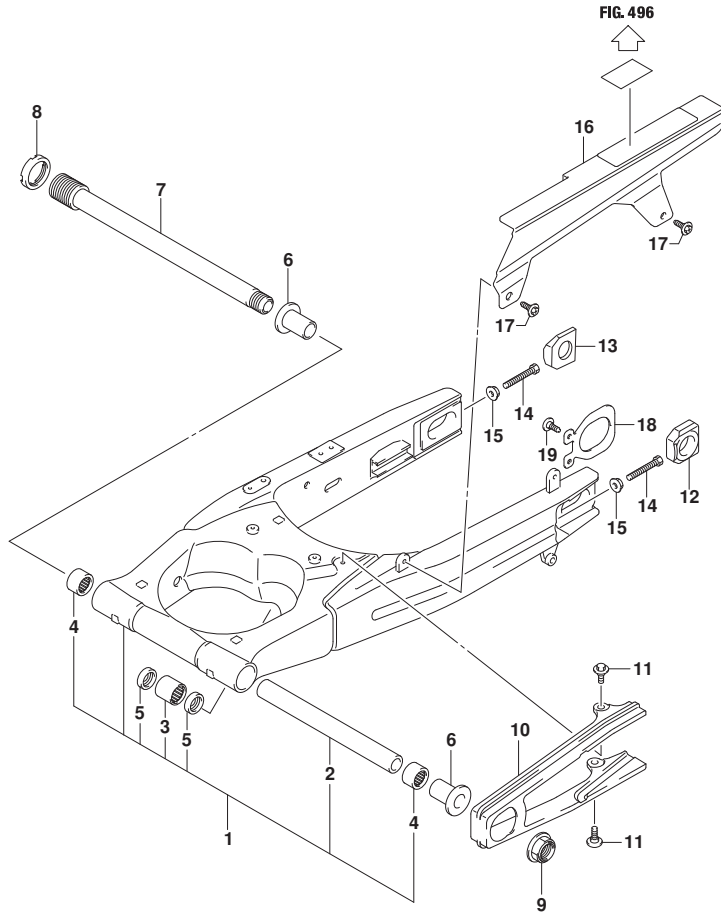


FIG.541A (1-I-9) REAR SWINGARM (DL1050RJ)

REF NO.	PART NO.	DESCRIPTION	Q'TY	REMARKS
1	61000-31J30-YAP	SWINGARM ASSY,REAR (BLACK)	1	
2	61281-31J00	.SPACER,RR SWGARM PIVOT CTR (2 0.8X27.2X196.7)	1	
3	09263-20122	.BEARING,RR CUSHION ROD	1	
4	09263-27015	.BEARING (27X35X35)	2	
5	09285-20005	.SEAL,OIL (20X27X5)	2	
6	61251-41G00	SPACER,RR SWGARM PIVOT BEARING	2	
7	61211-31J00	SHAFT,RR SWGARM PIVOT	1	
8	61214-42E10	NUT,RR SWGARM PIVOT BOLT	1	
9	09159-20006	NUT	1	
10	61273-31J10	BUFFER,CHAIN TOUCH DEFENSE	1	
11	09139-06226	SCREW (6X17.8)	2	
12	61446-40F00	ADJUSTER,CHAIN RH	1	
13	61445-40F00	ADJUSTER,CHAIN LH	1	
14	09100-08287	BOLT (8X50)	2	
15	08316-1008A	NUT	2	
16	61310-16G00	CASE,CHAIN	1	
17	09139-06225	SCREW (6X12)	2	
18	61124-33E00	PLATE,RR SWING ARM BRKT	1	
19	09125-06060	SCREW (6X12)	1	

FIG.541B

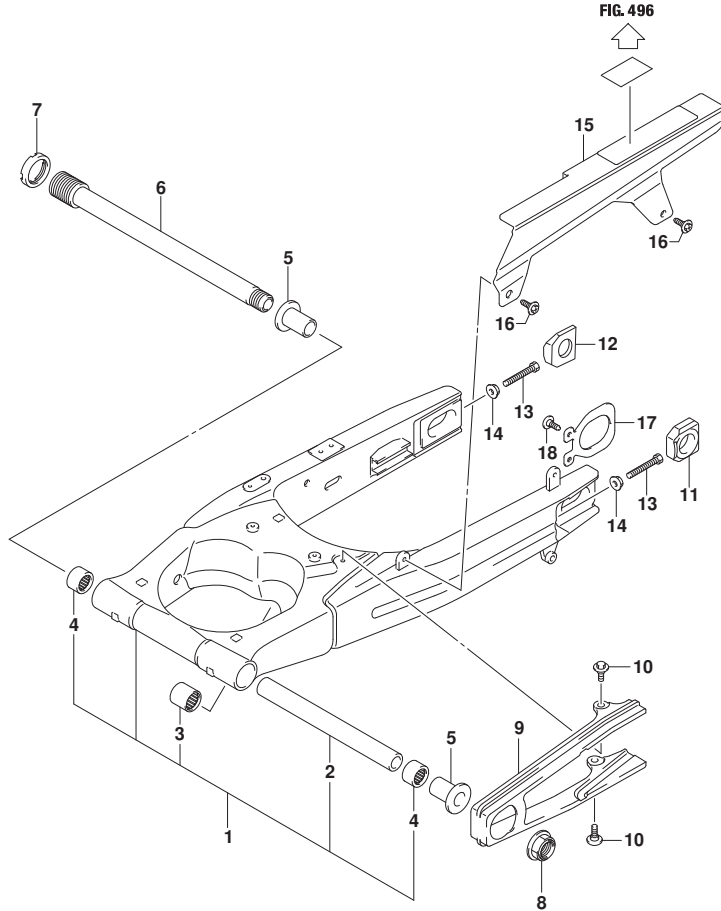


FIG.541B (1-I-10) REAR SWINGARM (DL1050RR)

REF NO.	PART NO.	DESCRIPTION	Q'TY	REMARKS
1	61000-31J40-YAP	SWINGARM ASSY,REAR (BLACK)	1	
2	61281-31J00	.SPACER,RR SWGARM PIVOT CTR (2	1	
		0.8X27.2X196.7)		
3	09263-20070	.BEARING (20X27X30)	1	
4	09263-27015	.BEARING (27X35X35)	2	
5	61251-41G00	SPACER,RR SWGARM PIVOT BEARING	2	
6	61211-31J00	SHAFT,RR SWGARM PIVOT	1	
7	61214-42E10	NUT,RR SWGARM PIVOT BOLT	1	
8	09159-20006	NUT	1	
9	61273-31J01	BUFFER,CHAIN TOUCH DEFENSE	1	
10	09139-06226	SCREW (6X17.8)	2	
11	61446-40F00	ADJUSTER,CHAIN RH	1	
12	61445-40F00	ADJUSTER,CHAIN LH	1	
13	09100-08287	BOLT (8X50)	2	
14	08316-1008A	NUT	2	
15	61310-16G00	CASE,CHAIN	1	
16	09139-06225	SCREW (6X12)	2	
17	61124-33E00	PLATE,RR SWING ARM BRKT	1	
18	09125-06060	SCREW (6X12)	1	

FIG.543A

FIG.543A (1-11) REAR CUSHION LEVER (DL1050RJ)

REF NO.	PART NO.	DESCRIPTION	Q'TY	REMARKS
1	62611-06LA0	LEVER,REAR CUSHION	2	
2	62317-27C10	SPACER,RR CUSHION LEVER FR (12 X20X34)	1	
3	62668-42A02	BOLT (12X62)	1	
4	09159-12056	NUT	1	
5	62317-44B00	SPACER,RR CUSHION LEVER FR	1	
6	62668-42A02	BOLT (12X62)	1	
7	09159-12056	NUT	1	
8	62600-06810	ROD SET,RR CUSHION	1	
9	09263-20063	.BEARING (20X27X20)	2	
10	09285-20005	.SEAL,OIL (20X27X5)	4	
11	62647-47H00	SPACER,RR CUSHION ROD FR	1	
12	62658-37F10	BOLT,RR CUSHION LEVER UPPER	1	
13	09159-12056	NUT	1	
14	62100-06LA0-17U	ABSORBER ASSY,REAR SHOCK (GRAY)	1	
15	09263-17046	BEARING (17X24X32)	1	
16	62317-47H00	SPACER,RR SHOCK ABS LWR	1	
17	09103-10033	BOLT (10X70)	1	
18	09159-10115	NUT (M10)	2	
19	09103-10428	BOLT (10X58)	1	
20	09160-12037	WASHER (12X34X1.0)	3	

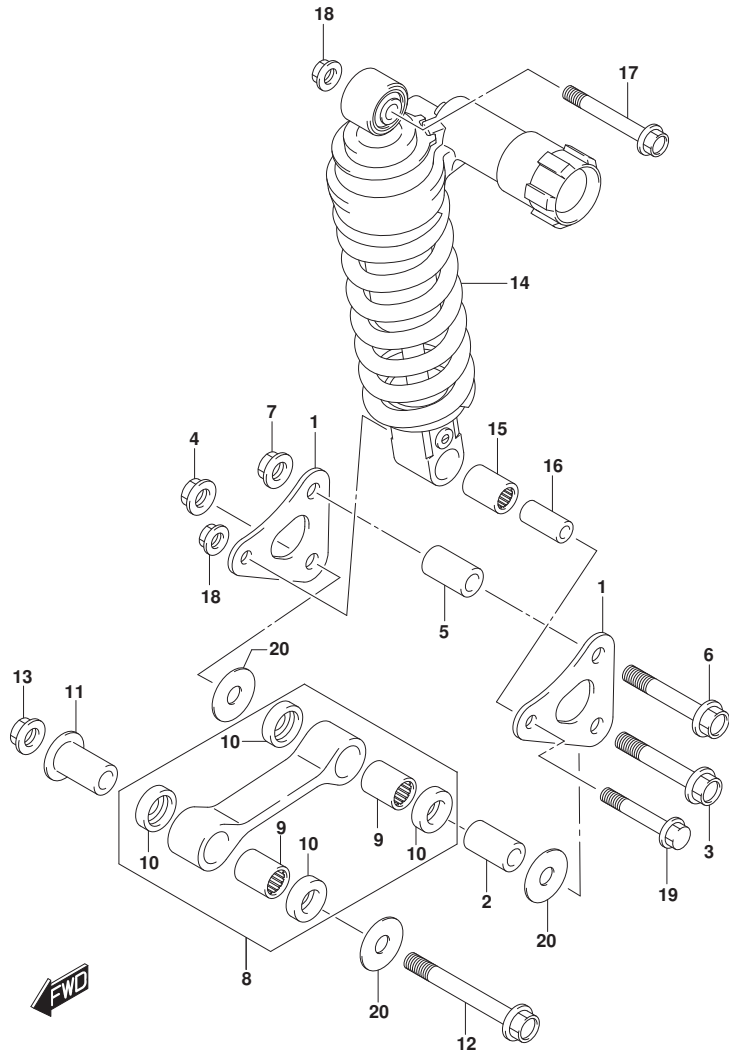


FIG.543C

FIG.543C (1-I-12) REAR CUSHION LEVER (DL1050RR)

REF NO.	PART NO.	DESCRIPTION	Q'TY	REMARKS
1	62611-31J00	LEVER,REAR CUSHION	2	
2	62317-27C10	SPACER,RR CUSHION LEVER FR (12 X20X34)	1	
3	62668-42A02	BOLT (12X62)	1	
4	09159-12056	NUT	1	
5	62317-44B00	SPACER,RR CUSHION LEVER FR	1	
6	62668-42A02	BOLT (12X62)	1	
7	09159-12056	NUT	1	
8	62600-31850	ROD SET,RR CUSHION	1	
9	09263-20063	.BEARING (20X27X20)	2	
10	09285-20005	.SEAL,OIL (20X27X5)	4	
11	62647-47H00	SPACER,RR CUSHION ROD FR	1	
12	62658-37F10	BOLT,RR CUSHION LEVER UPPER	1	
13	09159-12056	NUT	1	
14	62100-06L20-17U	ABSORBER ASSY,REAR SHOCK (GRAY)	1	
15	09263-17046	BEARING (17X24X32)	1	
16	62317-47H00	SPACER,RR SHOCK ABS LWR	1	
17	09103-10033	BOLT (10X70)	1	
18	09159-10115	NUT (M10)	2	
19	09103-10428	BOLT (10X58)	1	
20	09160-12037	WASHER (12X34X1.0)	3	

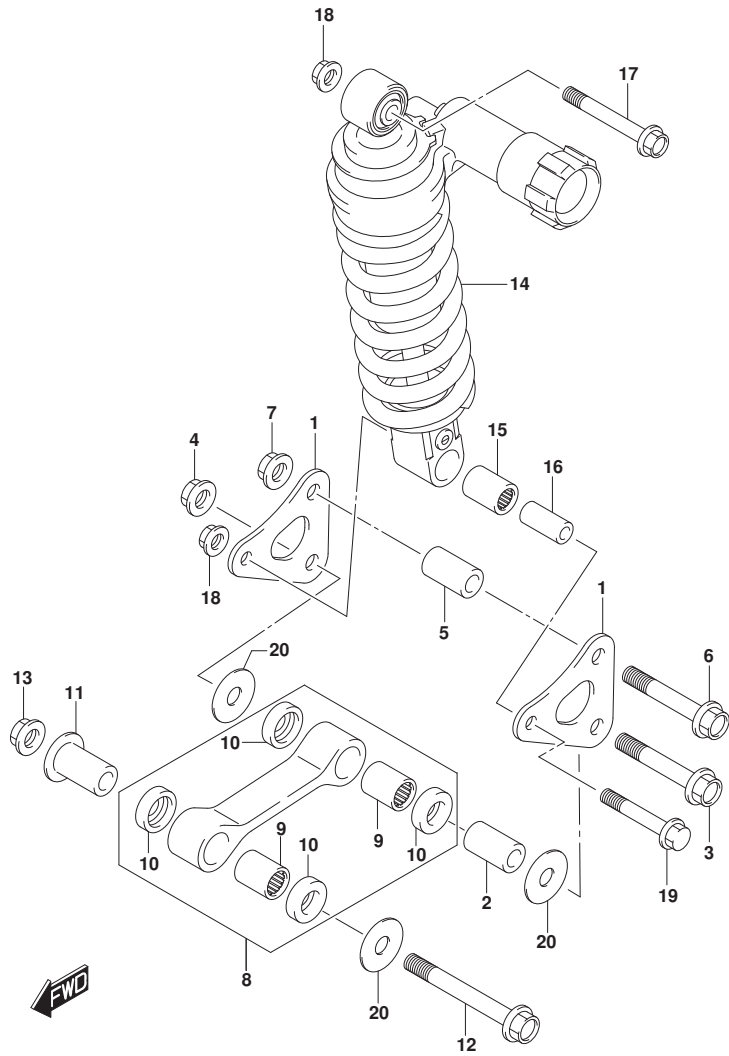


FIG.550A

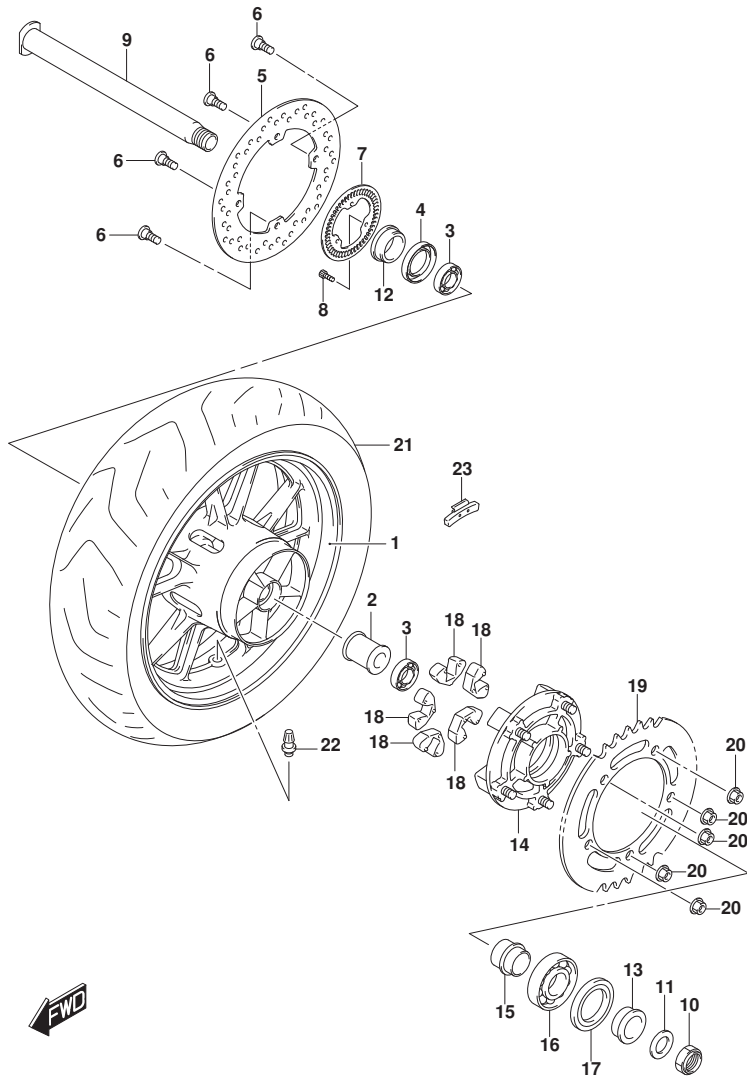


FIG.550A (1-1-13) REAR WHEEL (DL1050RR)

REF NO.	PART NO.	DESCRIPTION	Q'TY	REMARKS
1-1	64111-31J01-QGY	WHEEL,RR (RED)	1	BODY COLOR:CB8,BNR
1-2	64111-31J01-019	WHEEL,RR (BLACK)	1	BODY COLOR:CGG
1-3	64111-31J01-YPU	WHEEL,RR (GOLD)	1	BODY COLOR:KGL
2	64731-49G00	SPACER,REAR HUB BEARING (20.8X 27.2X124)	1	
3	09262-28062	BEARING (28X52X12)	2	
4	09284-37002	SEAL,OIL (37X52X8)	1	
5	69211-06G00	DISC,REAR BRAKE	1	
6	09106-08160	BOLT (8X21)	4	
7	64162-17G00	RING,SPEED SENSOR RR (50T)	1	
8	07130-0512A	BOLT	3	
9	64711-31J00	AXLE,RR	1	
10	64721-17K00	NUT,REAR AXLE	1	
11	09160-25070	WASHER (25.2X42X3.2)	1	
12	64741-35F10	SPACER,REAR AXLE,R	1	
13	64751-47H10	SPACER,REAR AXLE,L	1	
14	64610-35F30	DRUM,RR SPROCKET	1	
15	64733-35F00	RETAINER,RR SPROCKET DRUM	1	
16	09262-32024	BEARING (32X65X17)	1	
17	09285-39001	OIL SEAL (39X65X7)	1	
18	64651-35F30	ABSORBER,RR HUB SHOCK	5	
19	64511-39F00	SPROCKET,REAR,45T-525 (NT:45)	1	
20	08319-3110A	NUT	5	
21	65110-06L01	TIRE,REAR	1	
22	#43130-24A00	VALVE ASSY,WHEEL RIM (TR412)	1	
23-1	55411-22H00	BALANCER,WHEEL (10G)	AR	
23-2	55412-22H00	BALANCER,WHEEL (20G)	AR	
23-3	55413-22H00	BALANCER,WHEEL (30G)	AR	

FIG.550B

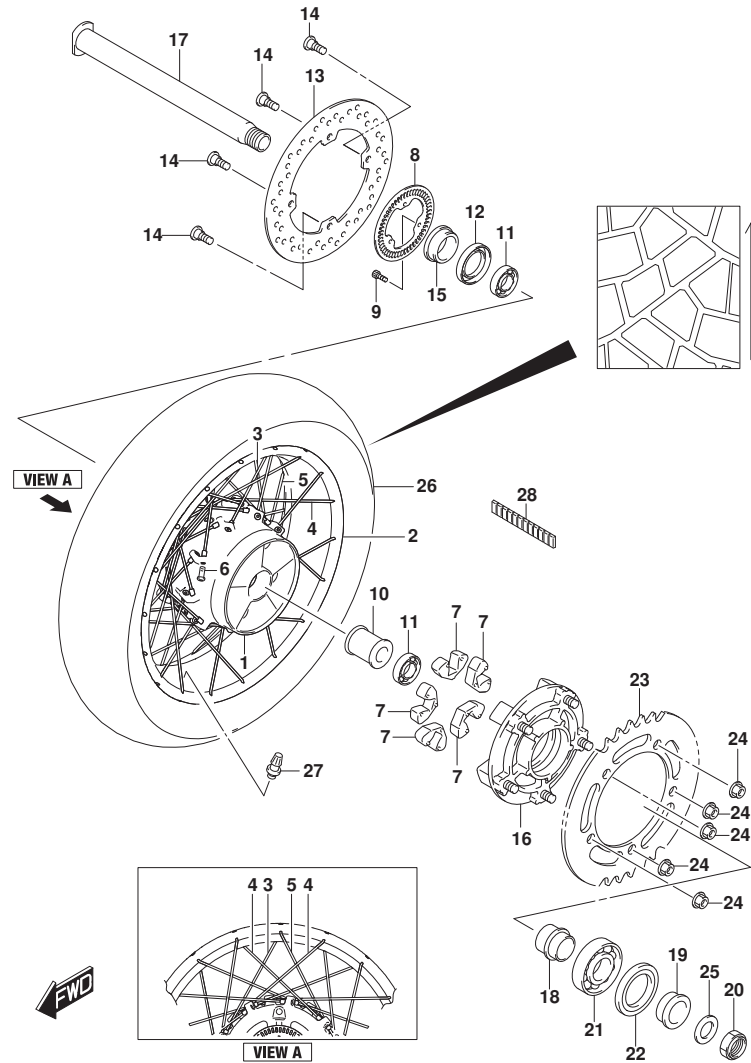


FIG.550B (1-14) REAR WHEEL (DL1050RJ)

REF NO.	PART NO.	DESCRIPTION	Q'TY	REMARKS
1	64111-06L00	HUB,REAR	1	
2-1	65311-06L00	RIM,REAR WHEEL	1	BLACK BODY COLOR:KGL
2-2	65311-06L10	RIM,REAR WHEEL	1	GOLD BODY COLOR:CD8
2-3	65311-06L20	RIM,REAR WHEEL	1	BLUE BODY COLOR:JWN
3	65321-06L00	SPOKE,REAR WHEEL INNER,R	9	
4	65323-06L00	SPOKE,REAR WHEEL INNER,L	18	
5	65324-06L00	SPOKE,REAR WHEEL OUTER,L	9	
6	65326-06L00	NIPPLE,WHEEL SPOKE	36	
7	64651-35F30	ABSORBER,RR HUB SHOCK	5	
8	64162-17G00	RING,SPEED SENSOR RR (50T)	1	
9	07130-0512A	BOLT	3	
10	64731-49G00	SPACER,REAR HUB BEARING (20.8X27.2X124)	1	
11	09262-28062	BEARING (28X52X12)	2	
12	09284-37002	SEAL,OIL (37X52X8)	1	
13	69211-06L00	DISC,REAR BRAKE	1	
14	09106-08160	BOLT (8X21)	4	
15	64741-35F10	SPACER,REAR AXLE,R	1	
16	64610-35F30	DRUM,RR SPROCKET	1	
17	64711-31J00	AXLE,RR	1	
18	64733-35F00	RETAINER,RR SPROCKET DRUM	1	
19	64751-47H10	SPACER,REAR AXLE,L	1	
20	64721-17K00	NUT,REAR AXLE	1	
21	09262-32024	BEARING (32X65X17)	1	
22	09285-39001	OIL SEAL (39X65X7)	1	
23	64511-39F00	SPROCKET,REAR,45T-525 (NT:45)	1	
24	08319-3110A	NUT	5	
25	09160-25070	WASHER (25.2X42X3.2)	1	
26	65110-06L11	TIRE,REAR	1	
27	#43130-24A00	VALVE ASSY,WHEEL RIM (TR412)	1	
28	55411-11J00	WEIGHT,WHEEL BALANCE (5GRM)	AR	

FIG.555A

FIG.555A (1-15) REAR CALIPER

REF NO.	PART NO.	DESCRIPTION	Q'TY	REMARKS
1	69100-31J00-999	CALIPER ASSY,RR	1	
2	69100-44890	.PISTON SET	1	
3	69102-05880	..SEAL SET,PISTON	1	
4	59112-44B00	.BOOT,AXLE	1	
5	69115-44G00	.SPRING,PAD	1	
6	59141-40F00	.PIN,PAD	1	
7	69105-44G00	.PIN,BOLT	1	
8	69116-44G00	.RETAINER	1	
9	59121-18410	.BLEEDER	1	
10	55156-66310	.CAP,BLEEDER PLUG (M10X1)	1	
11	69150-31J00	.BRACKET	1	
12	69182-44G00	.BOLT	1	
13	69185-44G00	.SLEEVE	1	
14	69186-44G00	.BOOT,SLEEVE	1	
15	69101-44890	PAD & SHIM SET	1	
16	69132-44G10	.INSULATOR	2	
17	69133-44G00	.SHIM	2	

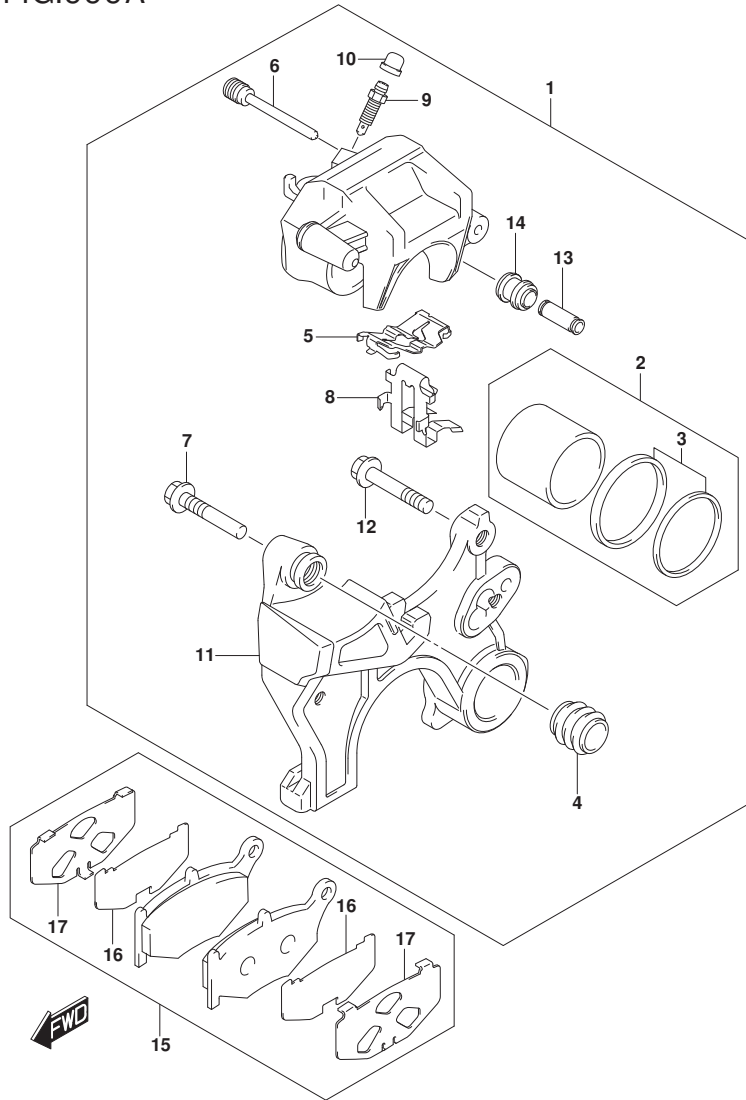


FIG.558A

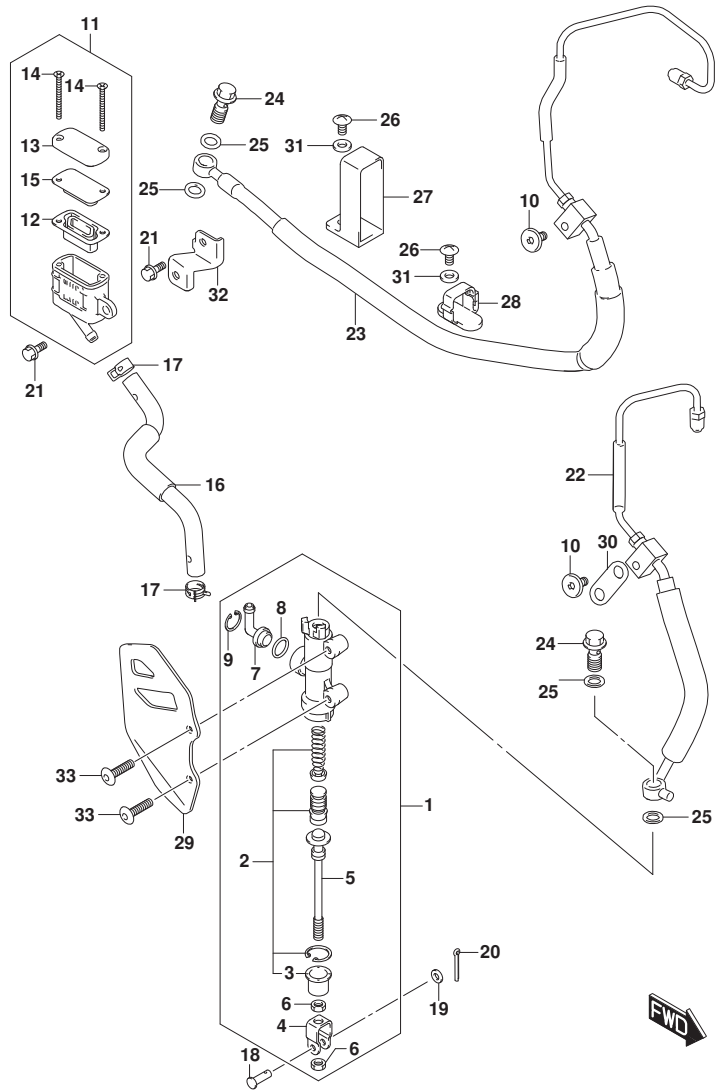


FIG.558A (1-1-16) REAR MASTER CYLINDER (DL1050RJ)

REF NO.	PART NO.	DESCRIPTION	Q'TY	REMARKS
1	69600-31J00	CYLINDER ASSY,REAR MASTER	1	
2	69600-34830	.PISTON/CUP SET	1	
3	69691-00A00	.BOOT	1	
4	69692-44H00	.YOKE	1	
5	69670-31J00	.ROD,PUSH	1	
6	69693-24A00	.NUT	2	
7	69672-00B20	.CONNECTOR	1	
8	69686-34200	.O-RING	1	
9	69674-00B20	.CIRCLIP	1	
10	09139-06221	SCREW (6X16)	2	
11	69740-06L00	TANK ASSY,RESERVOIR	1	
12	69667-01H00	.DIAPHRAGM	1	
13	69669-18K00	.CAP	1	
14	69689-01H00	.SCREW	2	
15	69668-01H00	.PLATE,DIAPHRAGM	1	
16	69730-06L20	HOSE,RR RESERVOIR TANK	1	
17	09401-12412	CLIP	2	
18	09200-06037	PIN (6X17.7)	1	
19	08322-0106A	WASHER	1	
20	04111-2015A	PIN	1	
21	01547-0612A	BOLT	2	
22	69200-06L40	HOSE ASSY,RR BK MASTER TO UNIT	1	
23	69400-06L40	HOSE ASSY,RR UNIT TO BK CLPR	1	
24	09360-10042	UNION (10X1.25X22)	2	
25	09161-10009	WASHER (10X15X1.5)	4	
26	02142-0616B	SCREW	2	
27	69243-16G00	GUIDE,RR BRAKE HOSE	1	
28	61196-44H00	GUIDE,REAR BRAKE HOSE	1	
29	69641-06L00	COVER,REAR MASTER CYLINDER	1	
30	69273-06L00	CUSHION,REAR BRAKE HOSE	1	
31	69486-31J00	WASHER,REAR BRAKE HOSE GUIDE	2	
32	69750-06L10	BRACKET,RR RSVR TANK	1	
33	09139-06192	SCREW (6X25)	2	

FIG.558B

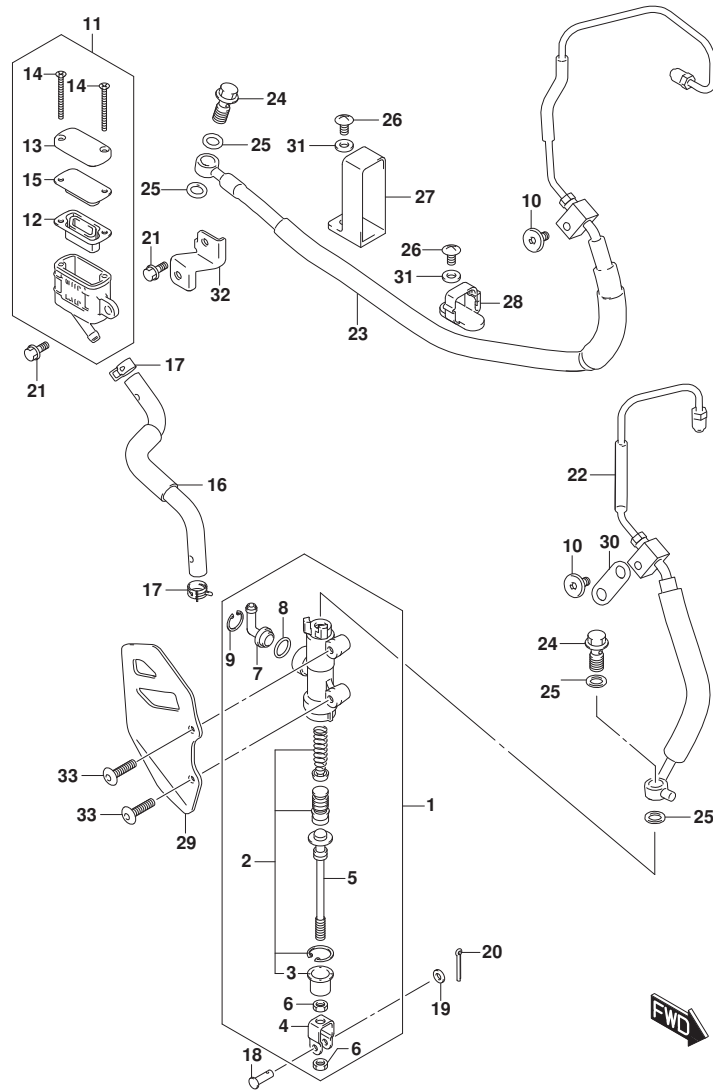


FIG.558B (1-J-2) REAR MASTER CYLINDER (DL1050RR)

REF NO.	PART NO.	DESCRIPTION	Q'TY	REMARKS
1	69600-31J00	CYLINDER ASSY,REAR MASTER	1	
2	69600-34830	.PISTON/CUP SET	1	
3	69691-00A00	.BOOT	1	
4	69692-44H00	.YOKE	1	
5	69670-31J00	.ROD,PUSH	1	
6	69693-24A00	.NUT	2	
7	69672-00B20	.CONNECTOR	1	
8	69686-34200	.O-RING	1	
9	69674-00B20	.CIRCLIP	1	
10	09139-06221	SCREW (6X16)	2	
11	69740-06L00	TANK ASSY,RESERVOIR	1	
12	69667-01H00	.DIAPHRAGM	1	
13	69669-18K00	.CAP	1	
14	69689-01H00	.SCREW	2	
15	69668-01H00	.PLATE,DIAPHRAGM	1	
16	69730-06L20	HOSE,RR RESERVOIR TANK	1	
17	09401-12412	CLIP	2	
18	09200-06037	PIN (6X17.7)	1	
19	08322-0106A	WASHER	1	
20	04111-2015A	PIN	1	
21	01547-0612A	BOLT	2	
22	69200-06L40	HOSE ASSY,RR BK MASTER TO UNIT	1	
23	69400-06L60	HOSE ASSY,RR UNIT TO BK CLPR	1	
24	09360-10042	UNION (10X1.25X22)	2	
25	09161-10009	WASHER (10X15X1.5)	4	
26	02142-0616B	SCREW	2	
27	69243-16G00	GUIDE,RR BRAKE HOSE	1	
28	61196-44H00	GUIDE,REAR BRAKE HOSE	1	
29	69641-06L00	COVER,REAR MASTER CYLINDER	1	
30	69273-06L00	CUSHION,REAR BRAKE HOSE	1	
31	69486-31J00	WASHER,REAR BRAKE HOSE GUIDE	2	
32	69750-06L10	BRACKET,RR RSVR TANK	1	
33	09139-06192	SCREW (6X25)	2	

FIG.970A

FIG.970A (1-J-3) OPTIONAL (DL1050RJ)

REF NO.	PART NO.	DESCRIPTION	Q'TY	REMARKS
1-1	45100-06L60-CGL	SEAT ASSY	1	
1-2	45100-06L60-B03	SEAT ASSY (GRAY,BLACK)	1	
1-3	45100-06L70-CGL	SEAT ASSY	1	
1-4	45100-06L70-B03	SEAT ASSY (GRAY,BLACK)	1	

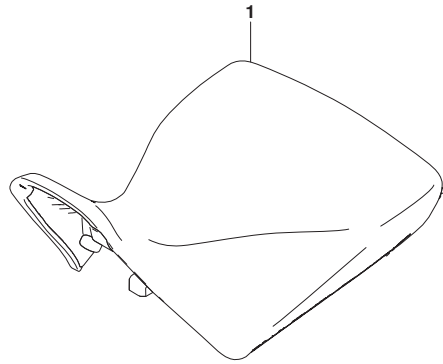


FIG.970B

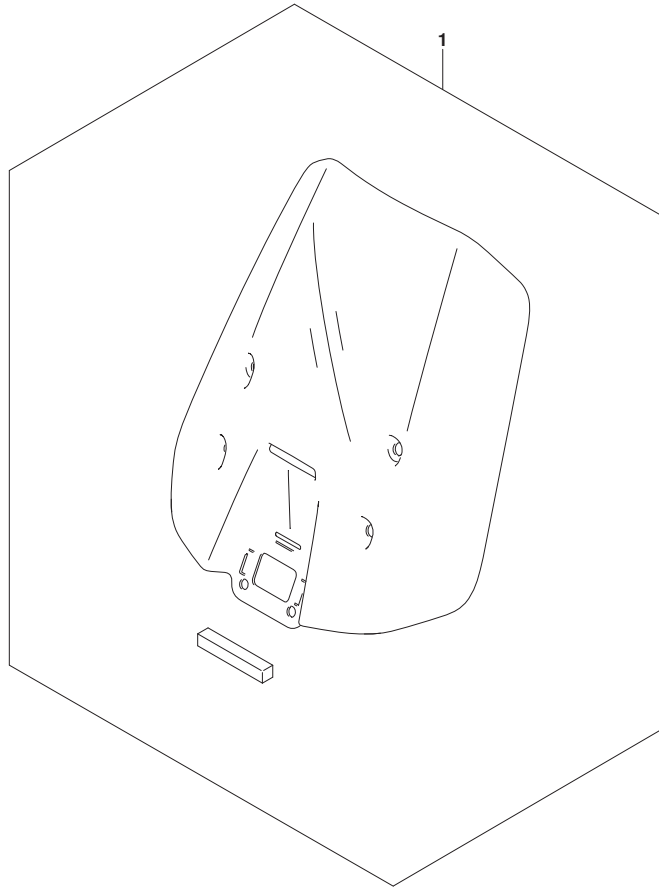


FIG.970B (1-J-4) OPTIONAL

REF NO.	PART NO.	DESCRIPTION	Q'TY	REMARKS
1	48400-06820	WINDSCREEN SET	1	

FIG.970C

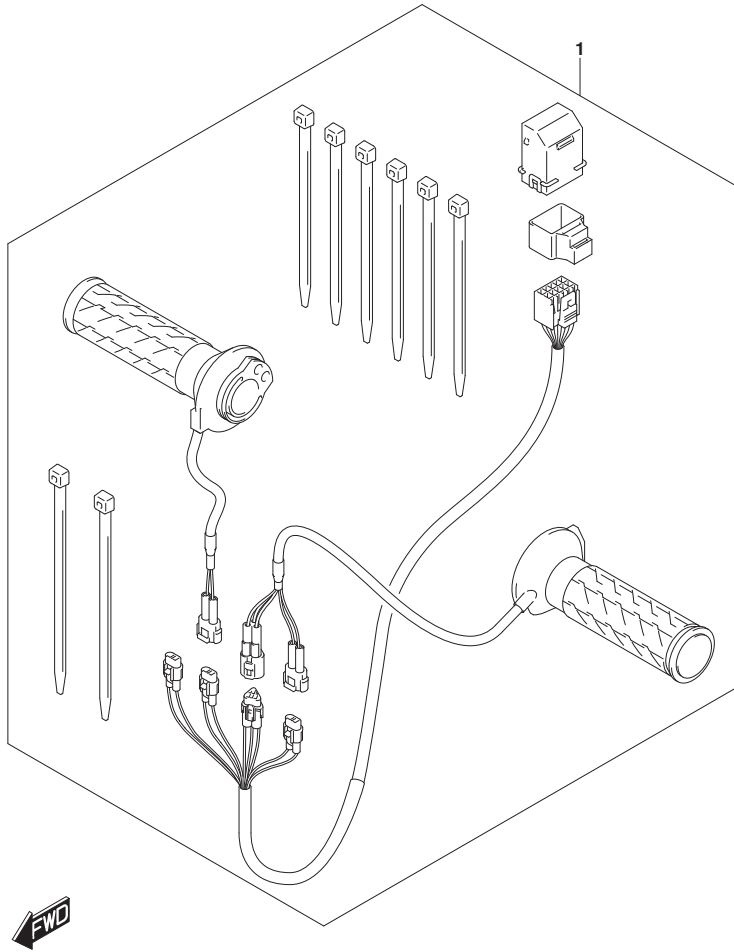


FIG.970C (1-J-5) OPTIONAL

REF NO.	PART NO.	DESCRIPTION	Q'TY	REMARKS
1	57100-06830	HEATER SET,GRIP	1	

PART NO.	FIG.NO.-REF.NO.	PART NO.	FIG.NO.-REF.NO.	PART NO.	FIG.NO.-REF.NO.		
24130-02F40	206B-1	25231-35F00	212A-2	30000			
	206A-13		212B-2				
	206B-13		212A-6				
24221-02F01	206A-2	25310-31J10	212B-6				
	206B-2		212A-8				
24231-02F40	206A-3	25312-17K00	212B-8			31100-06G01	301A-1
24251-02F11	206B-3	25350-06G00	212A-12			31132-45C00	301A-2
	206A-4		212B-12			31143-38300	301A-3
24252-02F10	206B-4	25355-38F00	212A-13			31150-44B10	301A-4
	206A-5		212B-13			31156-48B00	301A-11
24261-02F40	206B-5	25381-17K00	212A-9	31170-02F10	301A-5		
	206A-6		212B-9	31170-43400	301A-6		
24262-02F00	206B-6	25411-02F20	212A-3	31172-38300	301A-7		
	206A-7		212A-4	31173-88C00	301A-8		
24311-02F10	206B-7	25500-48K10	212B-3	31264-44110	301A-9		
	206A-14		212B-4	31281-24B10	301A-10		
24321-02F30	206B-14	25510-06L00	212A-24	31497-45000	212A-37		
	206A-16		212B-24		212B-37		
24322-02F01	206B-16	25512-06G20	212A-16	31800-06G02	312A-1		
	206A-17		212B-16		312D-1		
24331-02F30	206B-17	25518-06L00	212A-17	31861-47E00	312A-2		
	206A-18		212B-17		312D-2		
24332-17E20	206B-18	25525-11C00	212A-22	32101-06L00	303A-1		
	206A-19		212B-22	32102-06L00	303A-2		
24333-02F00	206A-21	25526-47001	212A-26	32371-13E30	303A-3		
	206B-19		212B-26	32800-31J00	312A-6		
24333-02F10	206B-21	25600-06L10	212A-25		312D-6		
	206A-25		212A-28	32910-06L00	312A-26		
24341-02F40	206A-26	25600-31J01	212B-25		312D-26		
	206B-25		212B-28	32943-06L00	312A-29		
24341-02F10	206B-26	25617-03F10	212B-27		312D-29		
	206A-27		212A-27	33410-06G01	312A-12		
24341-02F40	206B-27	25652-20C00	212A-30		312D-12		
	206A-20		212B-30	33410-06L00	312A-13		
24351-02F20	206B-20	25671-01011	212A-29		312D-13		
	206A-22		212B-29	33410-20H01	312A-14		
24361-02F50	206B-22	27511-20A21	212A-18		312D-14		
	206A-23		212B-18	33410-26G01	312A-15		
24741-06G00	206B-23	27531-31J00	206A-42		312D-15		
	206A-36		206B-42	33510-31G00	312A-21		
24741-20A00	206B-36	27600-06G40-120	206A-43		312D-21		
	127A-24		206B-43	33510-31G10	312A-22		
24741-21A00	206A-37	27600-06L00-120	206A-44		312D-22		
	206B-37		206B-44	33542-06G00	312A-23		
24751-06G00	212A-5	27620-06G40	206A-45		312D-23		
	212B-5		206B-45	33542-06G10	312A-24		
25211-35F11	206A-38	27620-06L00			312D-24		
	206B-38			33542-38B00	312A-25		
	212A-1				312D-25		
	212B-1				310A-1		

PART NO.	FIG.NO.-REF.NO.	PART NO.	FIG.NO.-REF.NO.	PART NO.	FIG.NO.-REF.NO.
33651-37000	310C-1	35710-31JA0	334B-12	30000	
	312A-27		334B-17		
	312D-27		339A-1		
33652-05G20	481A-16	35910-41GB2	339A-4		
	481B-16		339A-5		
33652-06L00	310A-4	35912-41G01	339A-6		
33652-06L10	310C-4	35913-41G00	339A-8		
	310A-3	35917-41G00	460A-3		
33652-06L20	310C-3	35950-13K01	460B-2		
	310A-5	36610-06L50	350B-1		
33652-06L30	310C-5	36610-06LK0	350E-1		
	310A-6	36620-06L10	350B-6		
33652-16G00	310C-6		350E-6		
	310A-2	36651-06L00	310A-12		
33652-21G00	310C-2		310C-12		
	474A-1	36654-28K00	350B-7		
33652-28C00	474B-1		350E-7		
	310A-7	36744-06L10	350B-25		
33652-36000	310C-7		350E-25		
	310A-8	36856-06L00	350B-8		
33652-38A10	310C-8	36856-06LJ0	350E-8		
	401A-5	36920-37H00	474A-2		
33652-39000	401A-9		474B-2		
	312A-28	36990-06L00	355A-2		
33810-06L00	310A-10		355B-2		
	310C-10	37100-06L01	352A-2		
33860-06L10	310A-11		352C-2		
	310C-11	37101-06811	352A-1		
34100-06LJ0	330A-1		352C-1		
	330E-1	37146-13K00	352A-6		
34187-48K01	330A-2		352C-6		
	330E-2	37152-17K00	352A-3		
34810-06L00	172A-17		352C-3		
	172A-18	37180-06L22	352A-4		
34955-10L10	330A-3		352C-4		
	330E-3	37400-06L01	355A-1		
35100-07L11	333A-1	37400-06L20	355B-1		
	333A-2	37730-06L00	212A-36		
35601-06LD0	334A-1		212B-36		
	334B-1	37740-06L00	350B-16		
35602-06LD0	334A-6		350E-16		
	334B-6	37820-33D11	109A-20		
35603-06LD0	334A-11		109B-20		
	334B-11	37822-33D00	109A-21		
35604-06LD0	334A-15		109B-21		
	334B-16	37840-06L00	350B-20		
35690-06L00	334A-2		350E-20		
	334A-7	38500-06L00	350B-22		
	334B-2		350E-22		
	334B-7	38610-06L00	334A-19		
			334A-19		
			334A-19		

40000

PART NO.	FIG.NO.-REF.NO.	PART NO.	FIG.NO.-REF.NO.	PART NO.	FIG.NO.-REF.NO.
43251-31J00	550B-27 350B-18 350E-18	44179-06L00	445B-1 420A-15 420B-15	44545-06L10	420A-10 420B-10 420A-11
43259-31J00	350B-17 350E-17	44183-23H00	420A-16 420B-16	44550-31J00	420B-11 312A-4
43501-06L10	415B-4	44189-06L00	474B-3	44552-24B00	312D-4
43501-31J00	415A-4	44200-17840	420A-17 420B-17		420A-12 420B-12
43502-06L10	415B-11		420A-3	44556-33H10	420A-20
43502-31J00	415A-10		420B-3		420B-20
43510-06G10-YAP	415A-1 415B-1	44244-11J00	420A-4 420B-4	44560-31J00	444A-7 444A-8
43521-06G10-YAP	415A-2 415B-2	44271-06L10	423A-9	44561-35F00	420A-21
43530-06L00	415B-8	44271-06L20	423B-9	44572-02F01	420B-21
43540-06L00	415B-15	44276-21H01	420A-5	44572-13G10	433A-1
43551-06G00	415A-6 415A-12	44277-06L00	420B-5		433B-1
43551-06L00	415B-6 415B-13	44281-18K01	423A-1	44885-44AA0	454C-1
43552-06G00	415A-7 415A-13	44283-06L00	423B-1	45100-06L20-B03	505A-1-2
43552-06L00	415B-7 415B-14	44291-06L00-YKV	474A-3	45100-06L20-CGL	505A-1-1
43576-31J00	415A-5 415A-11	44292-06L00	420A-27 420B-27	45100-06L40-B03	505B-1
43576-48B50	415B-5 415B-12	44294-43H11	423A-2	45100-06L60-B03	970A-1-2
43580-31J00	401A-4		423B-2	45100-06L60-CGL	970A-1-1
43590-31J00	401A-8		423A-4	45100-06L70-B03	970A-1-4
43610-34A70	415A-19 415B-21	44423-31J13	423A-4	45100-06L70-CGL	970A-1-3
43612-33G40	415A-20 415B-22	44423-31J21	423A-4	45121-06L10	505A-17
43631-34A01	415A-21 415B-23	44423-31J21	423A-4	45141-06L00	505B-27
43710-34A70	415A-22 415B-24	44520-31J01	454A-5	45148-27J00	505B-3
43811-31J00-YAP	415A-23 415B-25	44523-47H00	454C-6		445A-2
43821-31J00-YAP	415A-24 415B-26		454C-6		445B-2
44100-06L00-QKA	420B-1-1		454C-6		445B-2
44100-06L00-YKV	420A-1 420B-1-3		454C-6		445B-2
44100-06L00-YUH	420B-1-2		454C-6		445B-2
44121-06L00	420A-2		454C-6		445B-2
44160-06L00	444A-12		454C-6		445B-2
44164-31J01	444A-13		454C-6		445B-2
44173-14J00	445A-1		454C-6		445B-2

PART NO.	FIG.NO.-REF.NO.	PART NO.	FIG.NO.-REF.NO.	PART NO.	FIG.NO.-REF.NO.
45451-06L10	505B-9	47420-06L10	406A-18	48422-06L00	454A-12
45452-06L10	505B-8		406C-17		454C-12
45517-16G20	312A-8 312D-8	47431-06L00	406A-4 406C-4	48423-06L00	454C-13
46311-31J20	412A-1		406C-21	48423-06L10	454A-13
47111-06L20-YUH	445B-3-2	47440-06L10	460B-8	48425-06L00	454A-20
47111-06L30	445A-3	47451-06L00	445A-13		454C-23
	445B-3-1	47510-06L00	445B-13	48431-06L00	454C-14
47113-06L10	445A-22 445B-22		445A-16	48431-06L20	454A-14
	445A-4	47510-28K00	445B-16	48432-06L00	454A-15
47121-06L00	445B-4 445A-1		406A-5		454C-15
47122-17K00	445A-5	47512-10D00	415B-9	48433-06L00	454C-16
47131-06L00	445A-5	47512-28K00	415B-16	48433-06L10	454A-16
	445B-5	47610-06L00	445A-17	48440-06L10	454A-17
47161-26J00	454A-10 454C-10		445B-17		454C-17
47163-10FA0	420A-22 420B-22		445A-18	48442-06L10	454A-18
47211-06L20-YUH	445B-6-2	47711-06L00-QT7	445A-20-1		454C-18
47211-06L30	445A-6	47711-06L00-QT8	445A-20-3	48451-06L00	454C-19
	445B-6-1	47711-06L00-YKY	445B-20-2	48452-06L00	454A-19
47221-06L00	445A-7 445B-7	47711-06L00-YU1	445B-20-1		454C-20
	445A-8-1	47711-06L00-YVB	445A-20-4	48453-06L00	454C-25
47310-06L20-QT7	445A-8-3		445B-20-3	48454-06L00	454C-21
47310-06L20-QT8	445A-8-3		445A-20-2	48461-06L00	454C-22
47310-06L20-YVB	445A-8-4	47711-06L00-YYG	445A-14	48462-06L00	454C-26
47310-06L20-YYG	445A-8-2	47811-06L00	445B-14	48463-06L00	454C-27
47310-06L30-YKY	445B-8-2		445A-18	48464-06L00	454C-28
47310-06L30-YU1	445B-8-1	47911-06L00	445B-18	48465-06L00	454C-29
47310-06L30-YVB	445B-8-3		445A-15	48466-06L00	454C-30
47312-06L00	445A-10 445B-10	47912-06L00	445B-15	48467-06L00	454C-31
	445A-11-1		445A-19	48471-06L00	454C-32
47350-06L20-QT7	445A-11-1		445B-19	48472-06L00	454C-33
47350-06L20-QT8	445A-11-3	47912-31J00	406A-6	48473-06L00	454C-34
47350-06L20-YVB	445A-11-4		406C-5	48474-06L00	454C-35
47350-06L20-YYG	445A-11-2		445A-10	48475-06L00	454C-36
47350-06L30-YKY	445B-11-2		445B-10		
47350-06L30-YU1	445B-11-1		474A-4		
47350-06L30-YVB	445B-11-3		474B-4		
47410-06L00	406A-11	47913-06L00	445A-21		
	406C-10		445B-21		
47414-06L00	406A-1		460A-2		
47414-06L10	406C-1	47915-31J00	406A-12		
47415-06L00	406A-2	48128-14FA0	406C-11		
47415-06L10	406C-2		970B-1		
47416-06L00	406A-3	48400-06820	454C-2	51103-06L00	521A-1
	406C-3	48411-06L00	454A-2	51103-06LA0	521B-1
47420-06L00	406A-16 406C-15	48411-06L10	454C-7	51104-06L00	521A-18
		48412-06L00	454A-6	51104-06LA0	521B-19
		48413-06L00	454C-8	51110-06LA0	521B-2
		48413-06L10	454A-7	51110-31J21	521A-2
		48415-06L00	454A-3	51112-31J00	521A-15
		48416-06L00	454C-3		521A-32
		48421-06L00	454C-11		521B-15
		48421-06L20	454A-11		521B-33

50000

PART NO.	FIG.NO.-REF.NO.	PART NO.	FIG.NO.-REF.NO.	PART NO.	FIG.NO.-REF.NO.
51120-06LA0	521B-20	51176-48G10	521A-11	53130-06L00-30H	460B-6-2
51120-31J21	521A-19		521A-28	53130-06L00-YU1	460B-6-1
51131-06LA0	521B-12		521B-11	54111-06L00	530B-1
	521B-30		521B-29	54111-31J01-019	530A-1-2
51131-31J30	521A-12	51178-31J00	521A-17	54111-31J01-QGY	530A-1-1
	521A-29		521A-34	54111-31J01-YPU	530A-1-3
51146-06L00	521A-7	51310-06L00-QSC	524A-5	54132-06L00	530B-15
	521A-24		524B-5	54162-27G10	530A-7
51146-06LA0	521B-7	51321-06L00	524A-8		530B-8
	521B-25		524B-8	54711-31J00	530A-5
51147-24F50	521B-17	51331-06L00-QSC	524A-13		530B-10
	521B-35		524B-13	54712-47H00	530A-13
51148-41310	521B-18	51332-06L00-QSC	524A-14		530B-11
	521B-36		524B-14	54731-33E20	530A-2
51152-31J00	521A-16	51351-31J30	521A-13		530B-2
	521A-33		521A-30	54751-41G10	530A-6
	521B-16	51351-48K00	521B-13		530B-12
	521B-34		521B-31	55110-06L01	530A-11
51153-44G00	521A-4	51352-13A60	521A-8	55110-06L11	530B-17
	521A-21		521A-25	55156-66310	535A-7
	521B-4		521B-8		535A-14
	521B-22		521B-26		555A-10
51156-14200	521A-5	51353-06L00	524A-9	55200-29F00	530B-18
	521A-22	51353-24F00	524B-9	55261-44AF0	530B-19
	521B-5	51354-17H00	524A-10	55311-06L00	530B-5-1
	521B-23		524B-10	55311-06L10	530B-5-2
51158-14200	521A-3	51355-16G00	524A-11	55311-06L20	530B-5-3
	521A-20		524B-11	55321-06L00	530B-6
	521B-3	51356-24F50	524A-12	55326-06L00	530B-7
	521B-21		524B-12	55411-11J00	550B-28
51158-40F30	521A-10	51410-31J00	524A-1	55411-22H00	530A-14-1
	521A-27		524B-1		550A-23-1
	521B-10	51553-15D40	310A-9	55412-22H00	530A-14-2
	521B-28		310C-9		550A-23-2
51166-10G10	521B-37	51631-33E00	524A-19	55412-41F00	530B-20
51166-24F60	521A-35		524B-19	55413-22H00	530A-14-3
51166-40H20	524A-4	51641-33E00	524A-21		550A-23-3
	524A-6		524B-21	55610-06L20	533A-1
	524A-7	51643-41G00	524A-18	55610-06L30	533B-1
	524B-4		524B-18	55660-06L20	533A-2
	524B-6	51644-12C00	524A-2		533B-2
	524B-7		524A-20	55661-10G00	533A-4
51171-06LA0	521B-9		524B-2		533B-4
	521B-27		524B-20	55662-10G00	533A-5
51171-31J00	521A-9	53110-06L00	460B-1		533B-5
	521A-26	53110-31J01	460A-1	55710-06L10	534B-1
	521A-6	53120-06L00-019	460B-4-3	55710-06L20	534A-1
	521A-23	53120-06L00-30H	460B-4-2	55731-06L00	534A-4
	521B-6	53120-06L00-YU1	460B-4-1		534B-4
	521B-24	53130-06L00-019	460B-6-3	55731-23H00	534A-5

PART NO.	FIG.NO.-REF.NO.	PART NO.	FIG.NO.-REF.NO.	PART NO.	FIG.NO.-REF.NO.
	534B-5	59112-44B00	555A-4	59800-32F30	539C-1
55734-06L00	534A-10	59121-01A00	201A-25		539D-1
	534B-10		535A-6	59866-23H00	539C-3
55750-06L00	534A-8		535A-13		539D-3
	534B-8		555A-9	59871-23H10	539C-4
56111-06L00	462B-1	59122-01A00	201A-26		539D-4
56111-06L10	462A-1	59141-40F00	555A-6	59892-08A00	539C-5
56245-31J00	524A-15	59141-41G10	535A-4		539D-5
	524B-15		535A-11	59900-06L00	539C-16
56270-04FA1	462B-2	59151-29G00	535A-5	59900-06L30	539D-16
56277-06L10	462A-2		535A-12	59915-06L00	539C-17
56278-06L00	462A-3	59151-41G00	535A-18		539D-17
56500-06L00	462A-5	59171-31J00	535A-16	59921-06L00	539C-18
	462B-3	59200-06L40	536A-5		539D-18
56600-06L00	462A-6	59200-06L60	536B-5		
	462B-4	59210-31J10	530A-9		
57100-06830	970C-1		530B-13		
57100-06L80	467A-1	59240-06L00	536B-6		
57100-06L90	467B-1	59240-06L20	536A-6		
57110-06L00	467A-2	59260-06L00	536A-14		
	467B-2		536B-15	61000-31J30-YAP	541A-1
57211-21H01	467A-10	59261-06L00	536A-13	61000-31J40-YAP	541B-1
	467B-10		536B-14	61124-33E00	541A-18
57300-10G40	467A-5	59270-15H00	536A-15		541B-17
	467B-5	59300-31J00-999	535A-8	61196-44H00	558A-28
57341-06L01	472A-1	59400-06L40	536A-9		558B-28
57342-06L00	472A-2	59400-06L60	536B-10	61211-31J00	541A-7
57346-06L00	462A-4	59600-10G30	537B-1		541B-6
57431-17H02	467A-6	59600-45870	537B-2	61214-42E10	541A-8
	467A-12	59664-32F00	537B-10		541B-7
	467B-6		539C-10	61251-41G00	541A-6
	467B-12		539D-10		541B-5
57442-14500	467A-13	59666-44300	537B-3	61273-31J01	541B-9
	467B-13	59667-49460	537B-4	61273-31J10	541A-10
57460-14J02	467A-8		539C-6	61281-31J00	541A-2
	467B-8		539D-6		541B-2
57465-17C00	467A-9	59668-41C00	537B-5	61310-16G00	541A-16
	467B-9		539C-7		541B-15
57500-24F40	467A-11		539D-7	61445-40F00	541A-13
	467B-11	59669-10G00	537B-6		541B-12
57541-06L01	472A-3		539C-8	61446-40F00	541A-12
57542-06L00	472A-4		539D-8		541B-11
57560-02FA0	467A-14	59671-32F00	537B-8	62100-06L20-17U	543C-14
	467B-14		539C-11	62100-06LA0-17U	543A-14
59100-31810	535A-2		539D-11	62278-14100	521A-14
	535A-9	59675-02FA0	537B-9		521A-31
59100-31820	535A-15		539C-12		521B-14
59100-31J00-999	535A-1		539D-12		521B-32
59101-47810	535A-3	59800-31810	539C-2	62317-27C10	543A-2
	535A-10		539D-2		543C-2

60000

PART NO.	FIG.NO.-REF.NO.	PART NO.	FIG.NO.-REF.NO.	PART NO.	FIG.NO.-REF.NO.	
99011-06L52-01K	496F-7-4	01550-0612A	533B-3	02142-0520A	415A-14	
	496E-7-5		104A-12		415A-9	
	496F-7-5		104B-12		415A-15	
	496E-7-6		105A-13		454C-39	
99011-06L52-01T	496F-7-6	01550-0612B	350B-19	02142-0616B	558A-26	
	496E-7-7		350E-19		558B-26	
99011-06L52-01W	496F-7-7	01550-0616A	406C-20	02142-0620A	474B-24	
	496E-7-8		187A-17		03211-0416A	339A-9
	496F-7-8		444A-9		03511-0516A	155A-18
	496E-7-9		505A-19		03541-0512A	454A-9
99011-06L52-070	496F-7-9	01550-0620A	505B-5	03541-0512B	454C-40	
	496F-7-9		505B-29		406A-9	
			534A-9		406C-8	
			534B-9		433A-20	
00000		01550-0620B	406A-17	03541-0516A	433B-22	
			406A-19		339A-3	
			406C-16		406A-10	
			406C-18		406C-9	
01421-0616A	406A-13	01550-0635A	505B-24	03541-0516B	483B-10	
	406C-12		107A-7		03541-0520A	155A-9
	107A-7		01550-0695A		155A-15	
	01421-0625B		406A-14		109A-10	03541-0616B
01500-0612B	406C-13	01550-0812A	109B-10	04111-2015A	474B-11	
	474B-8		420A-13		558A-20	
	01547-0512B		352A-5		420B-13	558B-20
	01547-0612A		558A-21		481A-15	112A-4
01547-0612B	558B-21	01550-0820A	481B-15	04211-09149	112A-13	
	536A-10		492A-15		112A-29	
	536B-11		420A-14		180A-10	
	01547-0616B		534A-3		420B-14	104A-6
01547-0620A	534A-7	01550-1035B	407A-19	04211-13189	104B-6	
	534B-3		407C-19		105A-6	
	534B-7		01550-1050A		104B-25	107A-5
	536A-11		01550-1070A		104B-26	212A-7
01547-0625A	536B-12	01550-1085B	104A-25	04221-04089	212B-7	
	189A-10		01550-1235B		407A-7	201A-28
	112A-27		407C-7		07120-0512A	415B-10
	301A-14		467A-3		415B-17	
01547-0625B	301A-14	02112-0530B	467B-3	07120-0612A	127A-5	
	536A-12		467B-3		127A-5	
	536B-13		467A-4		406C-24	
	108A-4		467B-4		539C-20	
01547-0630A	108A-4	02112-0540B	112A-8	07120-0616A	539D-20	
01547-0635A	112A-28		206A-40		172A-15	
01547-0670A	108A-5		206B-40		07120-0890A	108A-7
01547-0685A	108A-6		02122-0616B		07130-0510A	212A-38
01550-0610A	112A-9	02142-0516A	104B-18	07130-0512A	212B-38	
	187A-25		105A-18		303A-6	
	533A-3		415A-8		530A-8	

PART NO.	FIG.NO.-REF.NO.	PART NO.	FIG.NO.-REF.NO.	PART NO.	FIG.NO.-REF.NO.	
07130-0612A	530B-9	08319-3105B	460B-3	08319-3106A	212B-33	
	530B-16		312A-7		09103-06535	112A-23
	550A-8		312D-7		09103-06536	180A-9
	550B-9		444A-11		09103-06538	112A-6
07130-0620A	187A-6	08319-3110A	109A-19	08322-0105A	09103-06539	
	206A-41		109B-19		09103-06537	112A-15
	206B-41		109B-19		09103-06539	350B-21
	427B-24		524A-16		09103-08568	350E-21
07130-0620B	127A-15	08322-0106A	524B-16	08322-0106B	412A-2	
	127A-14		550A-20		09103-10033	543A-17
	170A-2		550B-24		543C-17	
	427B-25		454C-41		09103-10205	109A-17
07130-0625A	201A-29	08322-0106A	558A-19	08322-0106B	109B-17	
	201A-30		558B-19		09103-10226	109A-18
	163A-5		474A-12		109B-18	
	401A-19		474B-12		09103-10428	543A-19
08112-6303A	401A-20	08322-0108A	108A-9	08331-31109	543C-19	
	127A-22		08331-31109		170A-6	09103-10475
	212A-11		08331-3112A		212A-35	09103-12016
	212B-11		08113-69050		212B-35	09103-12141
08211-06141	212A-15	08331-3114A	212A-23	08331-3114A	09103-14001	
	212B-15		212B-23		09106-05023	303A-4
	212B-15		407A-11		09106-06075	212A-39
	301A-12		407C-11		104A-28	212B-39
08316-1006A	334A-5	08331-31409	120A-16	08331-31409	104B-28	
	334A-10		170A-12		105A-26	
	334A-14		415A-27		109A-6	
	334A-18		415B-29		109B-6	
08316-1006B	334B-5	08332-1106A	415A-18	08332-1106B	09106-06088	
	334B-10		415B-20		312A-9	
	334B-15		180A-7		312D-9	
	334B-20		08332-1108A		09106-06090	454C-37
08316-1008A	406A-15	08361-3506A	301A-13	08361-3506A	09106-06120	
	406C-14		301A-15		312A-10	
	427B-26		541A-14		312D-10	
	505A-14		541B-13		104A-23	
08316-1008B	505A-15	09100-08287	104A-14	09100-08287	104B-23	
	505B-18		104B-14		105A-23	
	505B-25		105A-10		09106-08106	122A-5
	104A-11		104A-3		09106-08131	415A-25
08316-2106A	104B-11	09103-06266	104B-3	09103-06266	415B-27	
	105A-12		105A-3		09106-08136	108A-8
	107A-8		104B-3		09106-08142	108A-3
	541A-15		105A-3		09106-08160	550A-6
08316-2106B	541B-14	09103-06285	420B-23	09103-06285	550B-14	
	104A-8		112A-26		09106-08162	163A-14
	104B-8		09103-06314		09106-08178	163A-4
	105A-8		09103-06526		112A-21	09106-08195
08319-2106A	163A-20	09103-06529	112A-5	09103-06529	09106-08197	
	467A-7		112A-22		09106-08197	163A-8
	467B-7		180A-8		09106-08200	415A-3
			112A-14		415B-3	
	212A-33	09103-06530	212A-33	09103-06530	492A-8	

PART NO.	FIG.NO.-REF.NO.	PART NO.	FIG.NO.-REF.NO.	PART NO.	FIG.NO.-REF.NO.
09106-08208	530A-10	09139-05109	481A-10		312D-11
	530B-14		481B-10		339A-11
09106-10096	535A-17	09139-06169	445A-27	09159-10115	543A-18
09108-06096	104A-10		445B-27		543C-18
	104B-10	09139-06172	423A-7	09159-12056	109B-16
	105A-11		423B-7		543A-4
09108-06124	107A-6		433A-17		543A-7
09108-08143	104A-7		433B-19		543A-13
	104B-7	09139-06192	558A-33		543C-4
	105A-7		558B-33		543C-7
09111-06041	212A-14	09139-06193	505B-26		543C-13
	212B-14	09139-06206	454C-4	09159-12081	109A-16
09111-06085	187A-9		505A-16	09159-20004	206A-46
09111-10058	407A-2	09139-06211	483B-11		206B-46
	407C-2	09139-06215	483A-2	09159-20006	541A-9
09116-05030	330A-4	09139-06221	460B-11		541B-8
	330E-4		558A-10	09159-24010	201A-15
09116-06009	444A-15		558B-10	09160-05501	339A-2
09116-06165	474A-8	09139-06225	406C-22	09160-06077	474B-20
09116-06188	460B-9		541A-17	09160-06125	427B-14
09116-06528	163A-31		541B-16	09160-06132	474B-21
09116-08176	163A-11	09139-06226	541A-11	09160-06151	427B-15
09118-06097	185A-5		541B-10	09160-08043	460A-5
09118-06112	444A-1	09139-06229	423A-8	09160-08114	427B-16
09119-06109	460A-4		423B-8	09160-08157	492A-9
09125-06060	541A-19	09139-06231	333A-4	09160-08162	163A-19
	541B-18	09139-06232	333A-5	09160-08177	492A-10
09125-06122	212A-10	09139-06240	163A-27	09160-12011	212A-32
	212B-10	09139-10006	401A-3		212B-32
09126-06011	127A-25	09140-06020	212A-34	09160-12037	543A-20
	206A-39		212B-34		543C-20
	206B-39	09140-06025	212A-31	09160-15045	201A-31
09128-06013	312A-5		212B-31	09160-18022	407A-9
	312D-5	09140-16001	127A-20		407C-9
09139-05091	433A-16	09140-22012	120A-18	09160-25009	206A-47
	433B-18	09148-05038	481A-21		206B-47
	445A-25		481B-21	09160-25056	201A-16
	445A-26	09148-05045	483B-8	09160-25070	550A-11
	445B-25	09148-05052	445A-28		550B-25
	445B-26		445B-28	09160-25074	201A-2
481A-8	460B-12		460B-12	09160-27008	206A-24
481A-9	472A-6		472A-6		206B-24
481A-20	474A-9		474A-9	09161-10009	536A-4
481B-8	474B-9		474B-9		536B-4
481B-9	481A-22		481A-22		539C-15
	481B-20		481B-22		539D-15
09139-05092	401A-12	09148-06018	406A-7		558A-25
	460B-10		406C-6		558B-25
09139-05098	112A-33	09159-05045	454C-38	09164-22007	120A-19
09139-05108	472A-5	09159-06096	312A-11	09164-24008	201A-17

PART NO.	FIG.NO.-REF.NO.	PART NO.	FIG.NO.-REF.NO.	PART NO.	FIG.NO.-REF.NO.
09168-06023	104A-13	09181-22167	206A-8	09263-20070	541B-3
	104B-13		206B-8	09263-20122	541A-3
	105A-14	09181-22223	206A-29	09263-22068	206A-15
09168-06026	112A-10		206B-29		206B-15
09168-08016	109A-9	09181-25223	201A-18	09263-27015	541A-4
	109B-9	09200-06037	558A-18		541B-4
09168-12017	187A-23		558B-18	09263-35013	201A-3
09168-12018	127A-7	09206-08001	104A-2	09267-30010	524A-3
09168-14002	109A-13		104B-2		524A-17
	109B-13		105A-2		524B-3
	112A-19	09206-10016	104A-31		524B-17
09168-16002	109A-11		104B-31	09280-04004	109A-2
	109B-11		105A-29		109A-5
09169-06082	536A-17	09206-12002	122A-2		109B-2
09169-06098	334A-3	09208-06010	415A-26		109B-5
	334A-8		415B-28	09280-05007	109A-7
	334B-3	09208-08019	415A-16		109B-7
	334B-8	09208-08023	415B-18	09280-08012	112A-34
	334B-13	09247-14036	109A-14	09280-13004	170A-8
	334B-18		109B-14	09280-13007	109A-3
09169-06100	334A-12	09248-14010	112A-18		109B-3
	334A-16	09248-16012	109A-12	09280-17003	112A-31
09169-07007	454A-21		109B-12	09280-17004	206A-11
09169-08053	412A-3	09250-06015	524A-22		206B-11
09180-06195	312A-17		524B-22	09280-18008	187A-5
	312D-17	09259-20008-XCO	112A-30	09280-19005	104A-29
	312A-18	09259-36021	112A-16		104B-29
	312D-18	09261-04009	170A-5		105A-27
09180-06255	312A-19	09261-06002	170A-11	09280-24010	206A-48
	312D-19	09262-10016	180A-6		206B-48
09180-06256	163A-28	09262-20082	206A-30	09280-33004	101A-15
09180-06263	339A-10		206B-30		112A-17
09180-06264	444A-2	09262-20139	206A-9	09280-55005	104A-17
09180-06283	474B-22		206B-9		104B-17
09180-06290	185A-4	09262-25006	127A-23		105A-17
09180-06314	505B-19	09262-25073	206A-10	09283-06008	201A-34
09180-06349	460B-13		206B-10	09283-10005	180A-4
09180-08152	163A-9	09262-25191	530A-3	09283-14005	212A-20
	492A-11		530B-3		212B-20
09180-08156	163A-17	09262-28062	550A-3	09283-38028	206A-32
09180-08230	492A-12		550B-11		206B-32
09180-12140	122A-3	09262-28064	206A-31	09284-37002	550A-4
09181-10158	170A-4		206B-31		550B-12
09181-10195	122A-8	09262-32024	550A-16	09285-20005	541A-5
09181-14167	212A-19		550B-21		543A-10
	212B-19	09263-15003	201A-33		543C-10
09181-16212	127A-21	09263-17046	543A-15	09285-32004	530A-4
09181-20251	206A-28		543C-15		530B-4
	206B-28	09263-20063	543A-9	09285-39001	550A-17
09181-21002	178A-4		543C-9		550B-22

PART NO.	FIG.NO.-REF.NO.	PART NO.	FIG.NO.-REF.NO.	PART NO.	FIG.NO.-REF.NO.
09289-05015	126A-10		539C-13		334B-9
09320-04013	163A-33		539D-13		334B-14
09320-06027	427B-17	09360-10069	536A-2		334B-19
09320-08018	481A-14		536B-2		350B-9
	481B-14	09367-06009	427B-19		350E-9
09320-08029	445A-29	09367-08005	420A-26	09404-08211	350B-13
	445B-29		420B-26		350E-13
09320-08066	163A-24	09380-27001	206A-12	09407-14403	350B-15
	163A-29		206A-33		350E-15
09320-08515	427B-18		206A-34	09407-14407	310A-13
09320-09016	454A-4		206A-35		350B-11
	454C-5		206B-12		350E-11
	483B-9		206B-33		534A-11
09320-09501	333A-6		206B-34		534B-11
	505A-4		206B-35	09407-19401	350B-12
09320-10051	185A-3	09381-22002	120A-12		350E-12
09320-10059	474B-23	09401-06101	427B-20	09408-00235	312A-20
09320-10066	533A-6	09401-08411	187A-13		312D-20
	533B-6	09401-10401	427B-21	09408-00307	534A-6
09320-10069	505B-6	09401-10409	427B-22		534B-6
09320-10078	333A-3	09401-11413	427B-23	09409-06314	406A-8
09320-12048	492A-13	09401-12412	558A-17		406C-7
09320-12049	163A-18		558B-17		433A-18
09320-12068	492A-14	09401-12414	187A-21		433B-20
09320-12077	163A-10	09401-14301	155A-11		481A-11
09320-20011	445A-30	09401-15101	189A-8		481A-23
	445B-30	09401-16407	178A-8		481B-11
09321-06026	472A-7	09401-17201	189A-9		481B-23
	474A-10	09401-18101	189A-7	09409-06329	454A-8
	474B-10	09401-22405	155A-21		454A-22
09321-06039	472A-8	09401-24002	187A-12		454C-9
09321-10012	505A-5	09401-25001	187A-14		454C-24
	505A-12	09401-29001	187A-20	09409-07333	433A-19
	505A-18	09403-06324	536A-8		433B-21
	505B-16		536B-8	09409-08326	481A-12
	505B-28	09403-07331	539C-19		481B-12
09321-10018	163A-34		539D-19	09420-04008	303A-5
09321-10046	407A-21	09403-07344	536A-7		09420-06001
09321-10050	483A-3		536B-7		120A-20
09321-10051	407C-21	09403-10319	350B-10	09421-04012	127A-18
09329-18001	185A-8		350E-10	09440-07001	120A-17
09352-42704-140	180A-11	09403-13311	350B-14	09440-17009	212A-21
09360-10042	536A-1		350E-14		212B-21
	536B-1	09403-16412	536B-9	09443-14058	407A-4
	539C-14	09404-06429	180A-12		407C-4
	539D-14		334A-4	09443-19011	407A-5
	558A-24		334A-9		407C-5
	558B-24		334A-13	09448-18022	415A-17
09360-10053	536A-3		334A-17	09448-20012	415B-19
	536B-3		334B-4	09448-41005	407A-10
				09448-41006	407C-10

PART NO.	FIG.NO.-REF.NO.	PART NO.	FIG.NO.-REF.NO.	PART NO.	FIG.NO.-REF.NO.
09471-12140	339A-7				
09481-05501	350B-2				
	350E-2				
09481-10504	350B-3				
	350E-3				
09481-15504	350B-4				
	350E-4				
09481-30101	312A-3				
	312D-3				
09481-30504	350B-5				
	350E-5				
09482-00635	104A-15				
	104B-15				
	105A-15				
09493-20014	109A-4				
	109B-4				
09493-28010	109A-1				
	109B-1				
09811-00309	474A-13				
	474B-13				
09813-00030	474A-14				
	474B-14				
09813-00031	474A-15				
	474B-15				
09814-00015	474A-16				
	474B-16				
09814-00016	474A-17				
	474B-17				
09816-00059	474A-18				
	474B-18				
09816-00103	474A-19				
	474B-19				

SUZUKI **DL1050M3** PARTS CATALOGUE

SUZUKI MOTOR CORPORATION All rights reserved

No part of this document may be reproduced or transmitted in any form or by any means, electronic or mechanical, for any purpose, without the express written permission of Suzuki Motor Corporation.

SUZUKI MOTOR CORPORATION

Service Material Development Group, Automobile & Motorcycle Service Engineering Dept.
300 Takatsuka, Minami, Hamamatsu, Japan

SUZUKI MOTOR CORPORATION

PRINTED IN JAPAN

9900B-31999-000