



SUZUKI

RGV120

PARTS CATALOGUE

2001

FIG.1

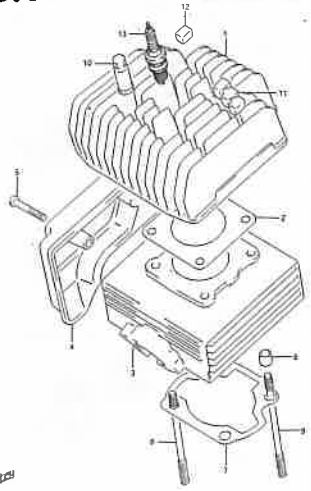


FIG.2

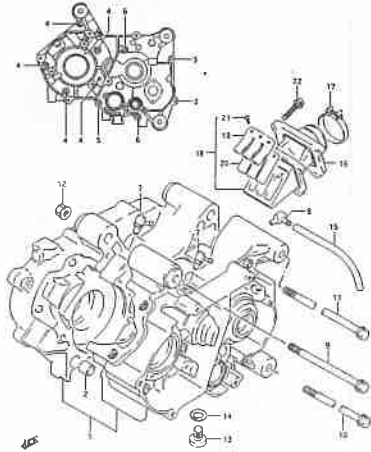


FIG.3

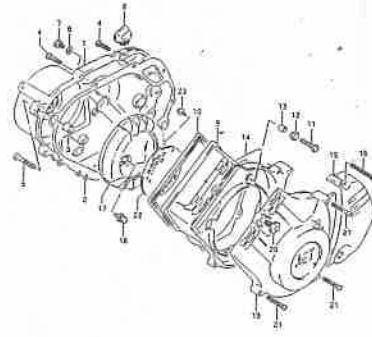


FIG.4

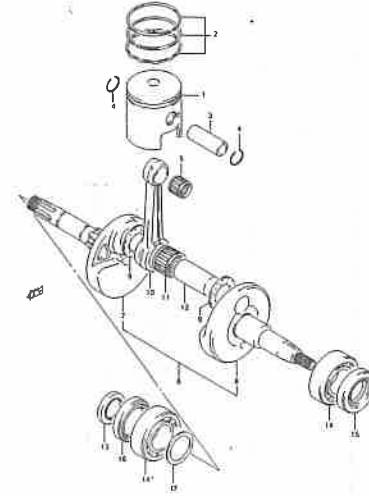


FIG.4

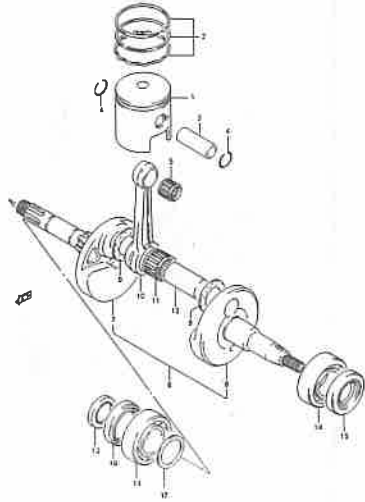


FIG.5

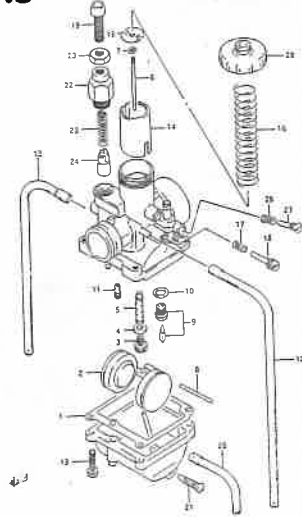


FIG.6

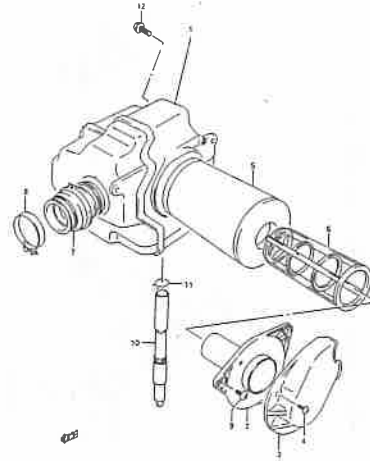


FIG.7

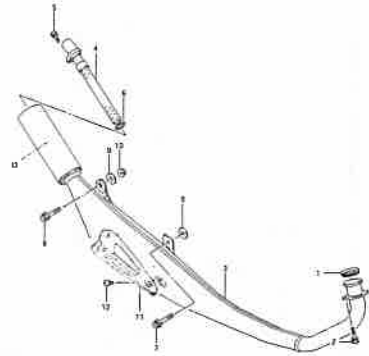


FIG.8

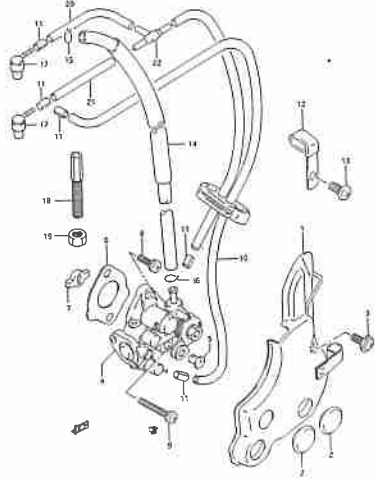


FIG.9

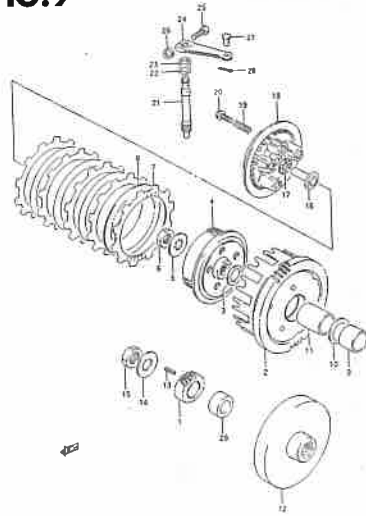


FIG.9

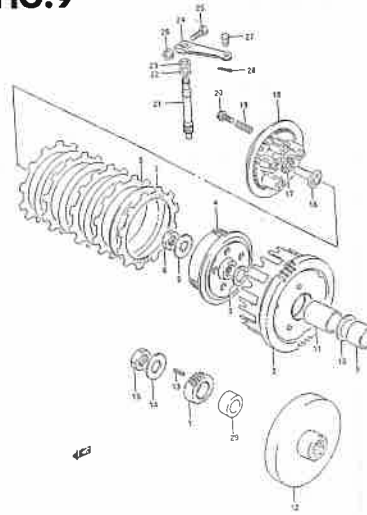


FIG.10

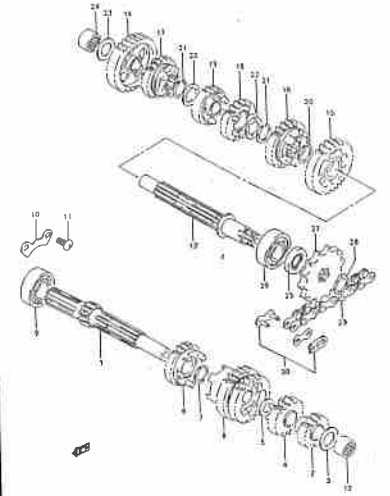


FIG.11

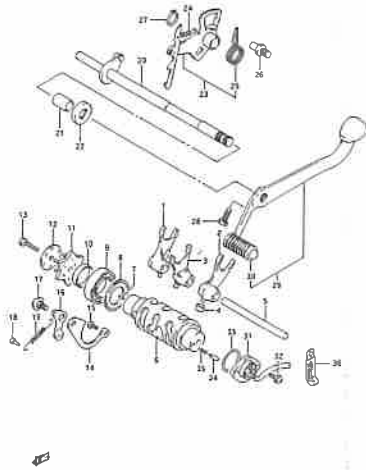


FIG.11

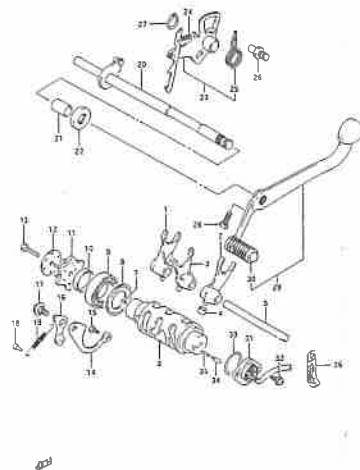


FIG.12

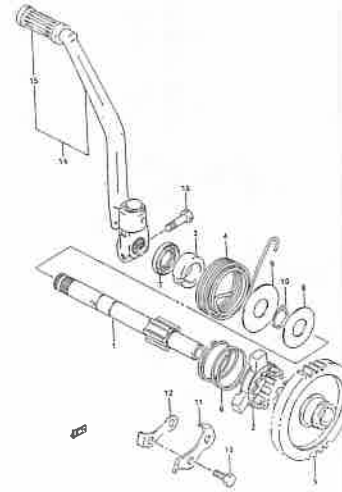


FIG.13

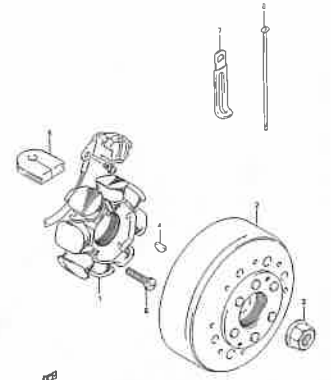


FIG.14

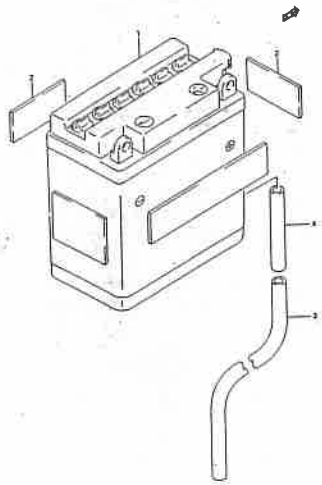


FIG.15

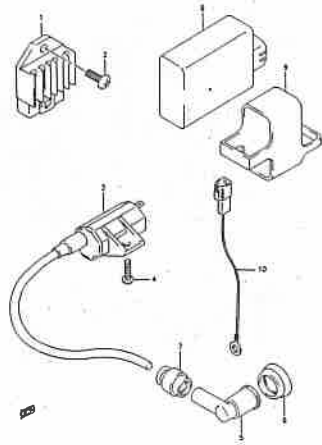


FIG.16

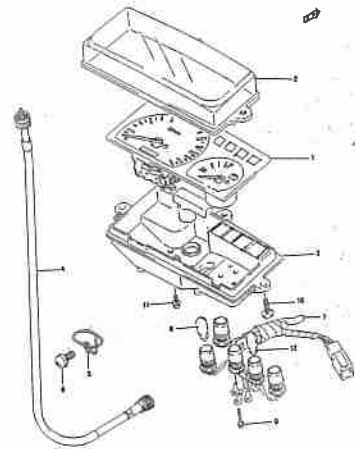


FIG.17

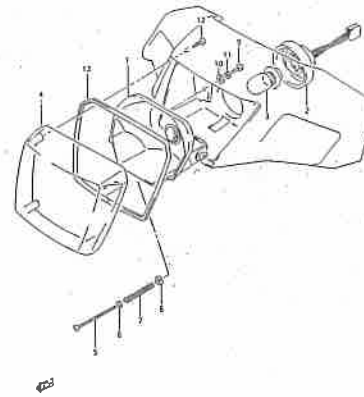


FIG.18

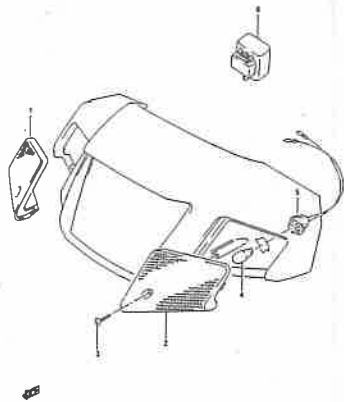


FIG.19

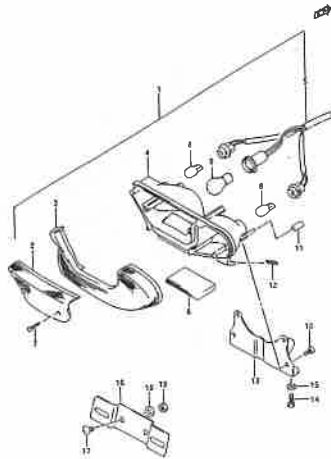


FIG.20

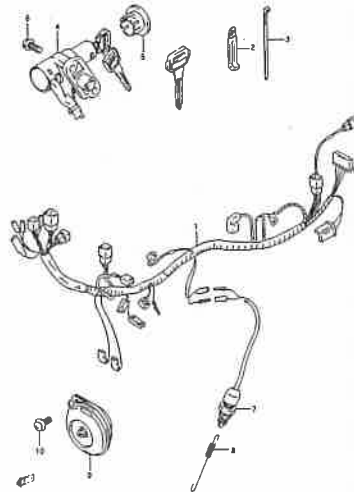


FIG.21

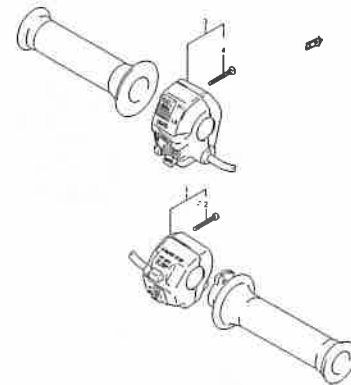


FIG.22

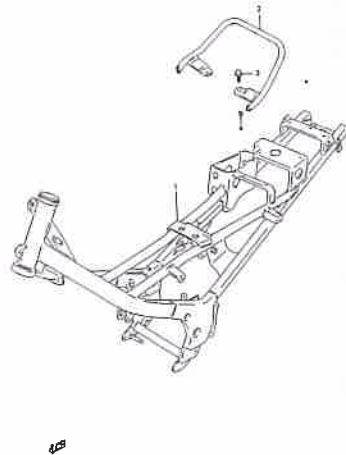


FIG.23

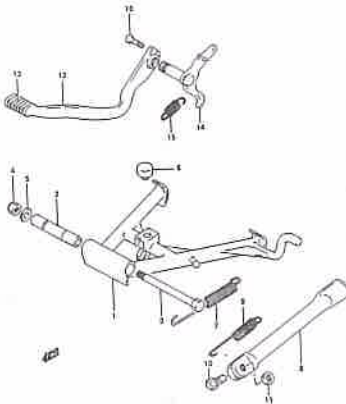


FIG.24

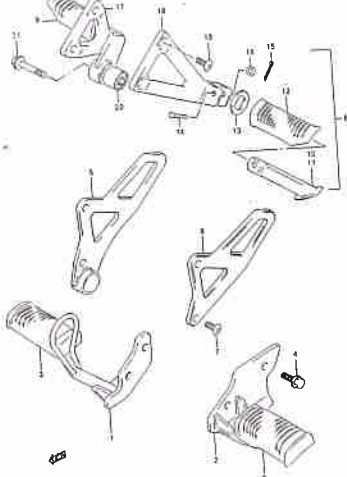


FIG.25

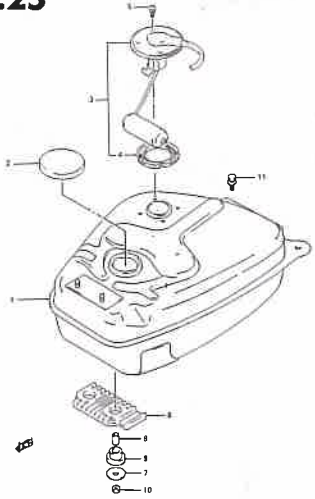


FIG.26

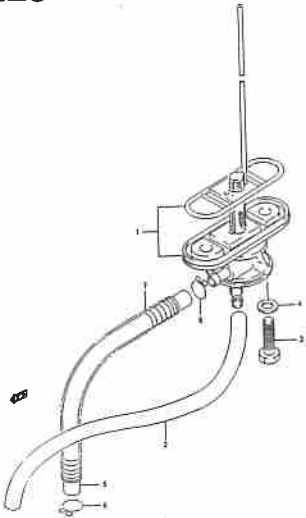


FIG.27

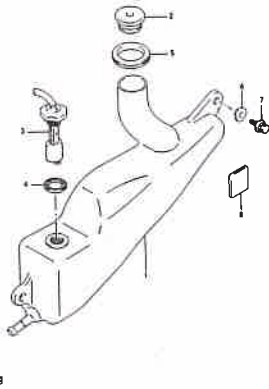


FIG.28

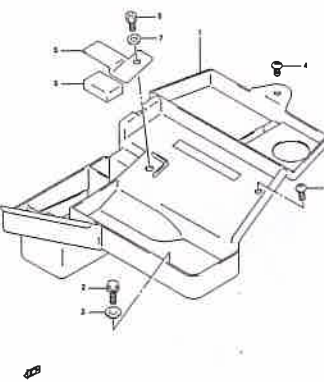


FIG.29

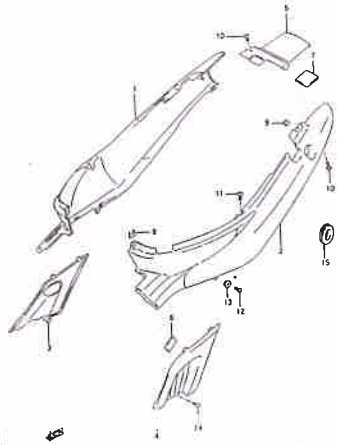


FIG.30

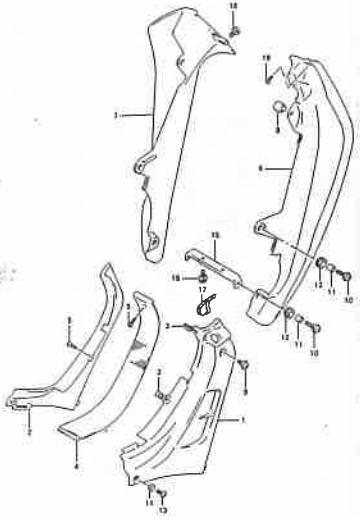


FIG.31

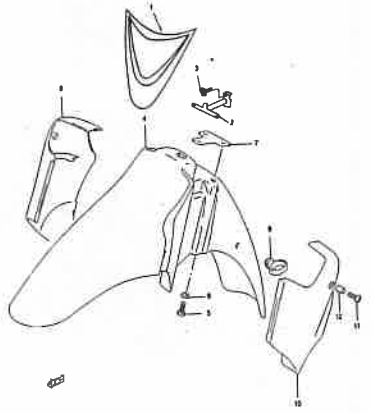


FIG.32

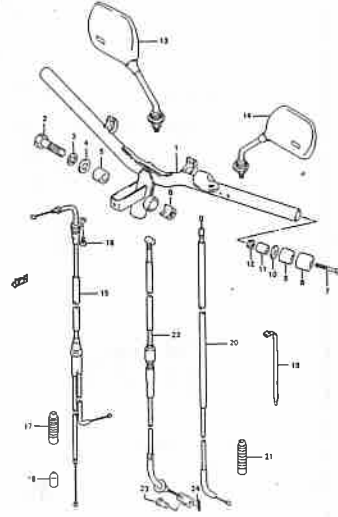


FIG.33

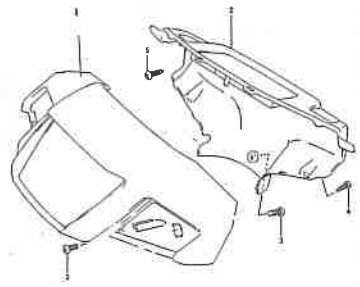


FIG.34

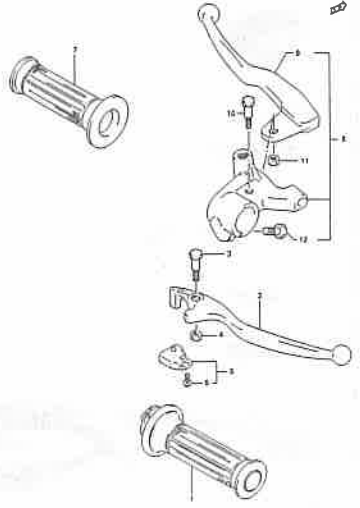


FIG.35

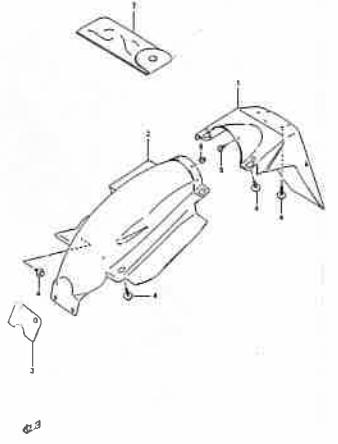


FIG.36

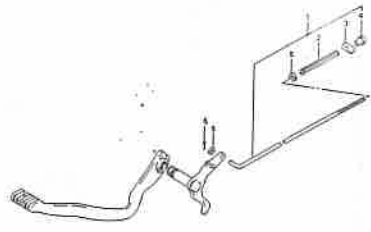


FIG.37



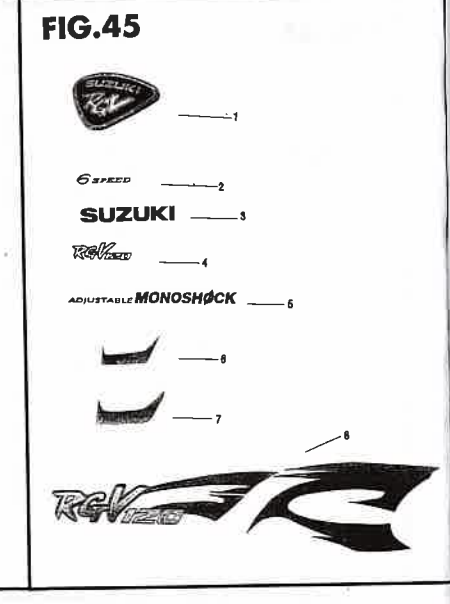
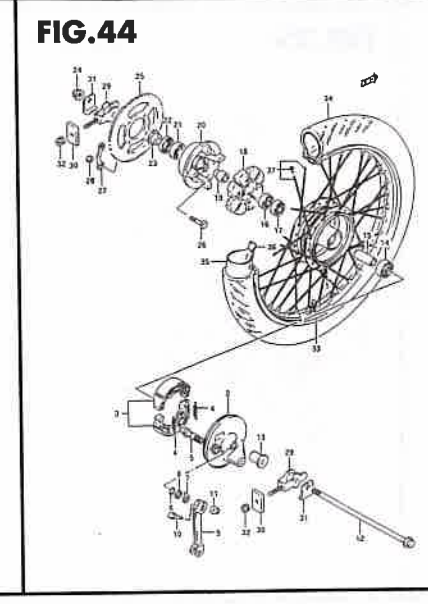
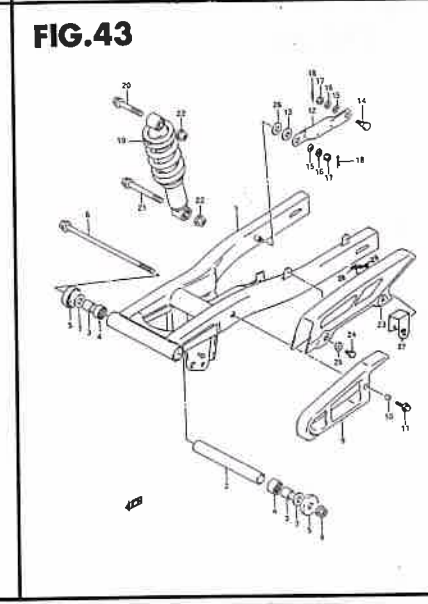
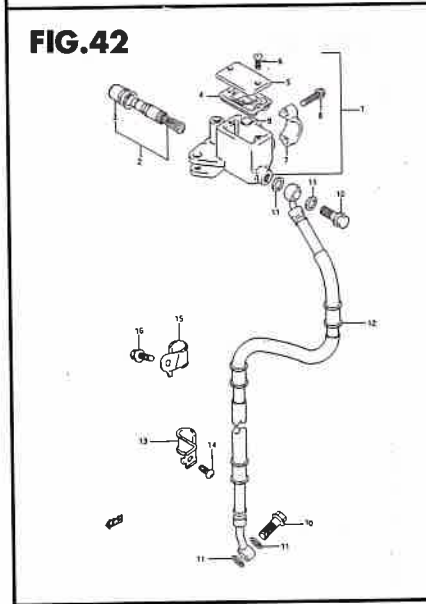
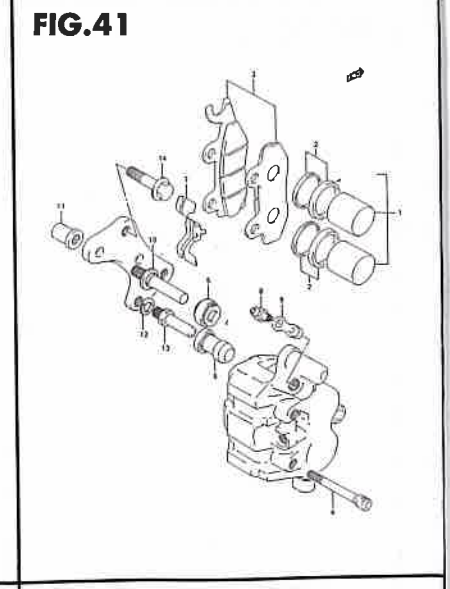
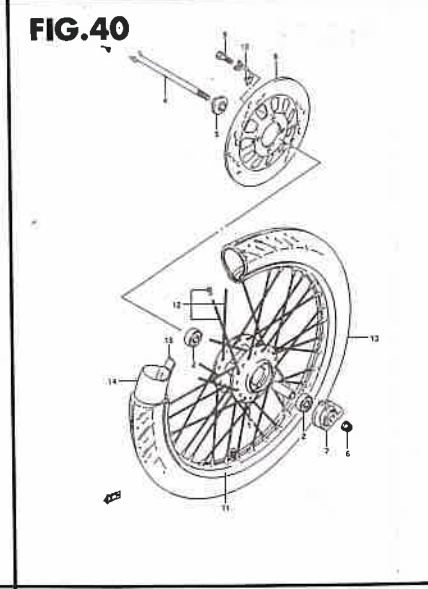
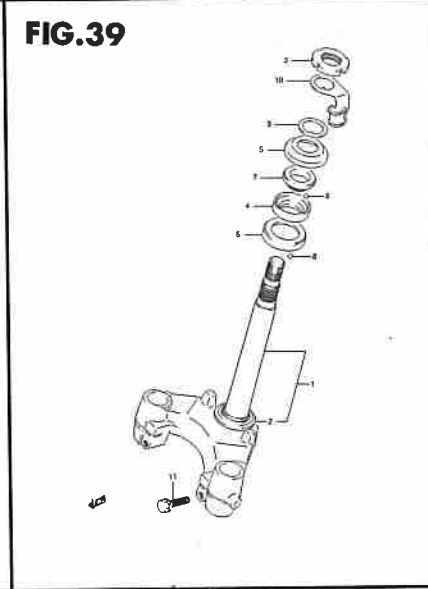
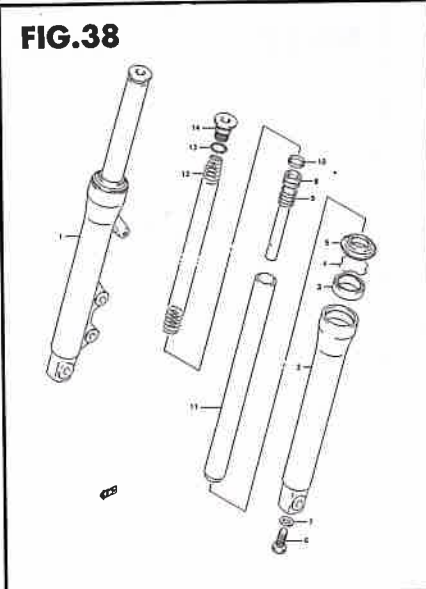


FIG. 1

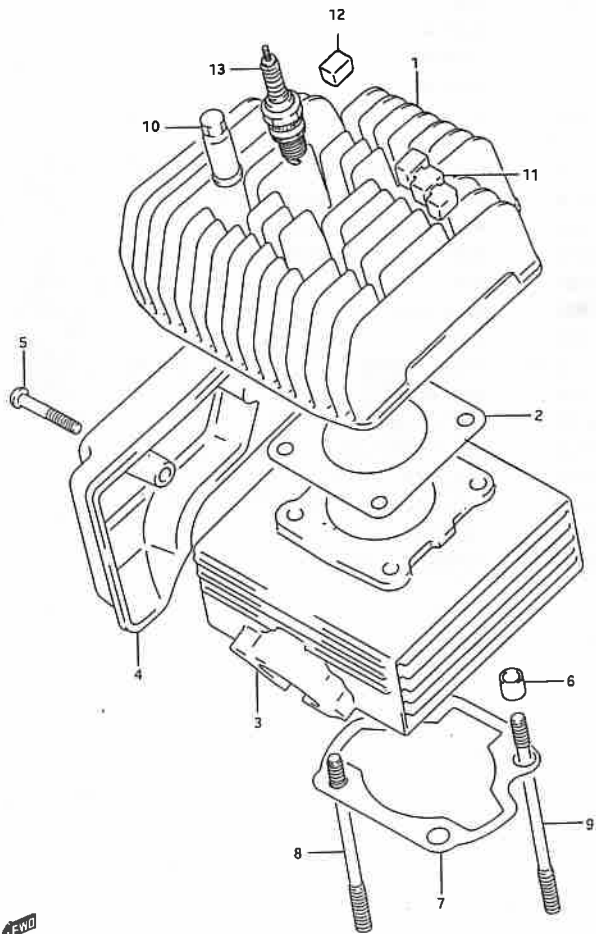


FIG. 1 (B-2) CYLINDER

REF. NO.	PART NO.	DESCRIPTION	Q'TY	REMARKS
1	1111M21D71	CYLINDER HEAD	1	
2	11141M21D70	GASKET, cylinder head	1	
3	11210M21D71-0F0	CYLINDER	1	
4	11271M-38D00	COVER, cylinder air	1	
5	02112-06353	SCREW	2	
6	04211-11189	PIN	2	
7	11241M38D01	GASKET, CYLINDER	1	
8	09108-08113	STUD BOLT (8x113)	2	
9	09108-08114	STUD BOLT (8X123)	2	
10	09159-08041	NUT	4	
11	11151-21D00	PAD, RUBBER (N4)	3	
12	11252-25000	PAD, RUBBER (N1)	17	
13-1	09482M00175	SPARK PLUG (NGK, BP8ES)	1	
13-2	09482-00176	SPARK PLUG (ND, W24EP)	1	

2

2

FIG. 2

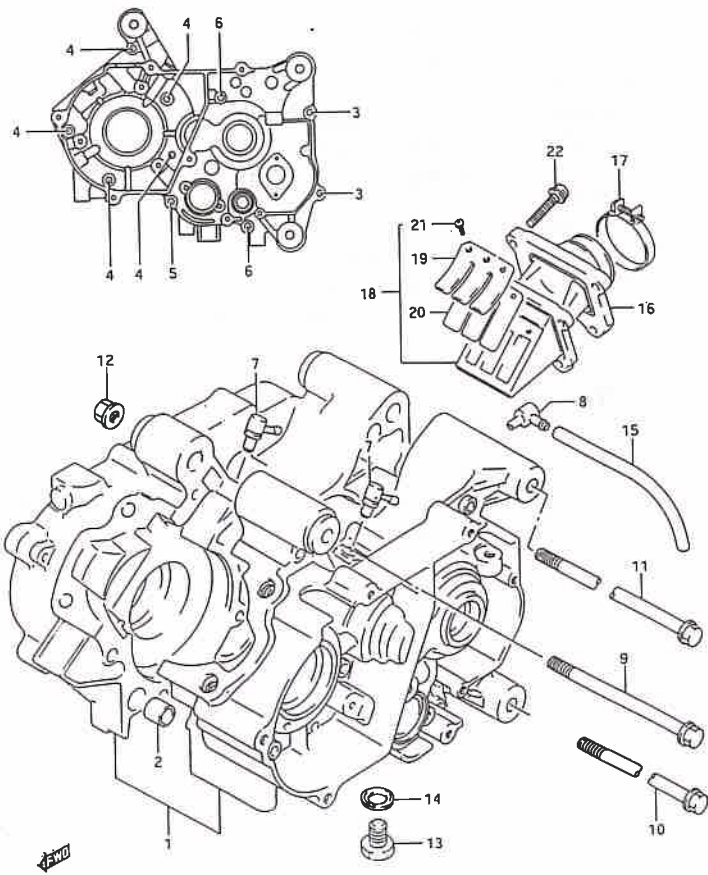


FIG. 2 (B-3) CRANKCASE

REF. NO.	PART NO.	DESCRIPTION	QTY	REMARKS
1	11300M21D41	CRANKCASE ASY	1	
2	04211-13189	.PIN	2	
3	02112-06403	.SCREW	2	
4	02112-06503	.SCREW	5	
5	02112-06603	.SCREW	1	
6	02112-06653	.SCREW	2	
7	16910-21D00	CHECK VALVE	2	
8	16190-09401	UNION, breather hose	1	
9	09103-08109	BOLT, engine mount (8x120)	1	
10	11611-21D01	BOLT, engine mount (8x190)	1	
11	09103-08278	BOLT, engine mount (8x225)	1	
12	08319-31087	NUT	3	
13	09247-14025	PLUG, drain	1	
14	09168-14002	GASKET	1	
15	09352-42703-600	HOSE, breather	1	600-135
16	13110-21D20	PIPE, intake	1	
17	09402-36306	CLAMP, intake pipe	1	
18	13150-21D00	VALVE ASSY, reed	1	
19	13152-35400	.STOPPER	2	
20	13153-31C01	.VALVE, reed	2	
21	13154-35400	.SCREW	6	
22	02112-36253	SCREW	4	

FIG. 3

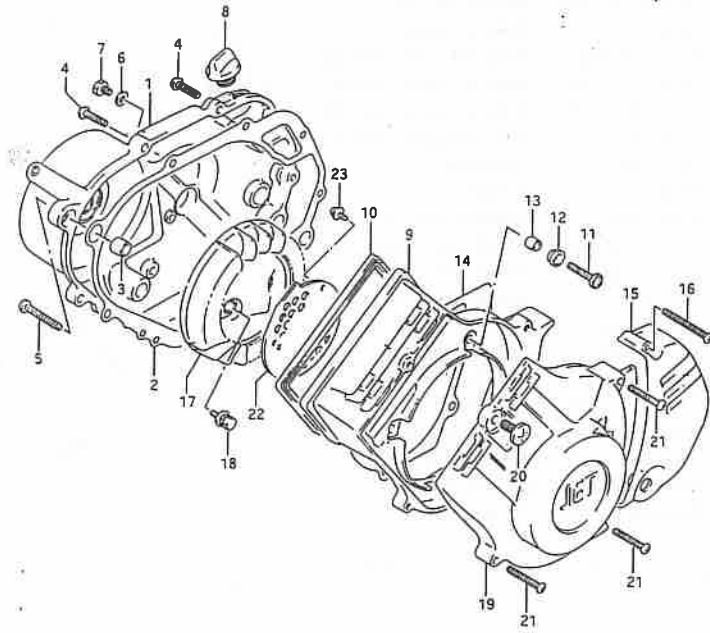


FIG. 3 (B-4) CRANKCASE COVER

REF. NO.	PART NO.	DESCRIPTION	Q'TY	REMARKS
1	11341M21D51	COVER, clutch	1	
2	11482M21D00	GASKET, clutch cover	1	
3	04211-13189	PIN	2	
4	02112-06253	SCREW	8	
5	02112-06453	SCREW	1	
6	09168-06004	GASKET	1	
7	09128-06044	PLUG, oil level	1	
8	09200-20810	PLUG, oil filler	1	
9	11351M21D01	COVER, magneto	1	
10	11389M21D00	CUSHION, magneto cover	1	
11	02112-16253	SCREW (L:25)	4	
12	09161-09006	WASHER	4	
13	09180-06266	SPACER	4	
14	11483M21D00	CUSHION, magneto cover No. 2	1	
15	11361M21D01	COVER, engine sprocket	1	
16	02112-06403	SCREW	2	
17	17110M31C00	FAN, cooling	1	
18	09118-06106	BOLT	2	
19	17131M21D01	COWLING, fan	1	
20	09139-06071	SCREW	1	
21	02112-06303	SCREW	3	
22	17133M35412	PLATE, fan cowling	1	
23	02142-05083	SCREW	3	

2

2

FIG. 4

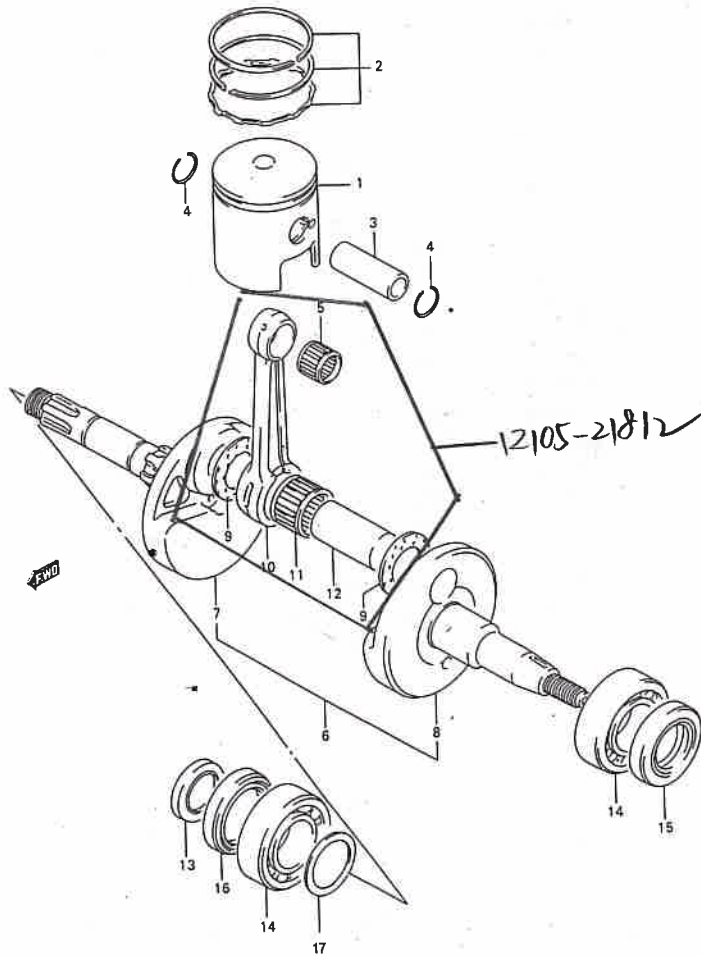


FIG. 4 (B-5) CRANKSHAFT

REF. NO.	PART NO.	DESCRIPTION	QTY	REMARKS
1-1	12110M21D71-0F0	.PISTON (STD)	1	
1-2	12110M21D71-025	.PISTON (OS:0.25)	1	
1-3	12110M21D71-050	.PISTON (OS:0.5)	1	
1-4	12110M21D71-075	.PISTON (OS:0.75)	1	
1-5	12110M21D71-100	.PISTON (OS:1.0)	1	
2-1	12140-19D10	.RING SET, piston (STD)	1	
2-2	12140-19D10-025	.RING SET, piston (OS:0.25)	1	
2-3	12140-19D10-050	.RING SET, piston (OS:0.5)	1	
2-4	12140-19D10-075	.RING SET, piston (OS:0.75)	1	
2-5	12140-19D10-100	.RING SET, piston (OS:1.0)	1	
3	12151-36A00	.PIN, piston	1	
4	09381-14001	.CIRCLIP	2	
5	09263-14030	BEARING, piston pin	1	
6	12200-21D80-0A0	CRANKSHAFT ASSY	1	
7	12221-21D80	.CRANKSHAFT, RH	1	
8	12261-21D70-0A0	.CRANKSHAFT, LH	1	
9	09160-20010	.WASHER	2	
10	12161-21D00	.ROD, connecting	1	
11	09263-20052	.BEARING	1	
12	12211-35401-0E0	.PIN, CRANK	1	
13	12359-21D00	SPACER, RH, NO. 1	1	
14	09262-25070-0A0	BEARING, LH/RH	2	
15	09283-25066	OIL SEAL, LH	1	
16	09289-32003	OIL SEAL, RH	1	
18	12105-21812	Connecting Rod Assy	1	

FIG. 4

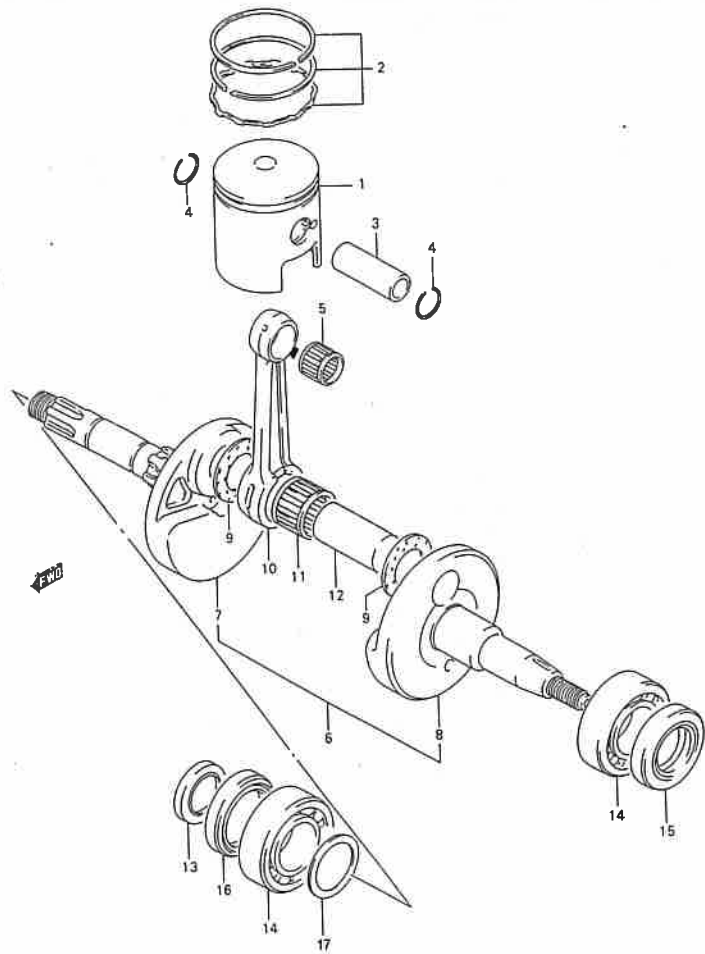


FIG. 4 (B-6) CRANKSHAFT

REF. NO.	PART NO.	DESCRIPTION	Q'TY	REMARKS
17-1	09181-25051	SHIM (T:0.60)	1	
17-2	09181-25052	SHIM (T:0.65)	1	
17-3	09181-25053	SHIM (T:0.70)	1	
17-4	09181-25054	SHIM (T:0.75)	1	
17-5	09181-25055	SHIM (T:0.80)	1	
17-6	09181-25056	SHIM (T:0.85)	1	
17-7	09181-25057	SHIM (T:0.90)	1	
17-8	09181-25058	SHIM (T:0.95)	1	
17-9	09181-25059	SHIM (T:1.00)	1	
17-10	09181-25060	SHIM (T:1.05)	1	
17-11	09181-25061	SHIM (T:1.10)	1	
17-12	09181-25062	SHIM (T:1.15)	1	
17-13	09181-25063	SHIM (T:1.20)	1	
17-14	09181-25179	SHIM (T:1.25)	1	
17-15	09181-25181	SHIM (T:1.30)	1	
18	12105-21811	ROD KIT, connecting	1	NOT SHOWN INCLUDED REF. NO. 5, 9, 10, 11 AND 12

2

FIG. 5

2

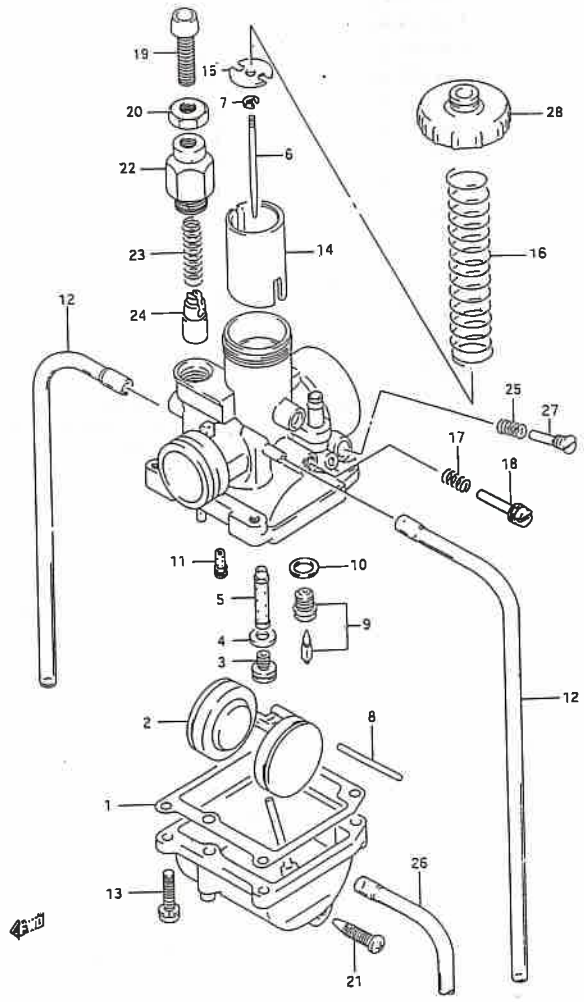
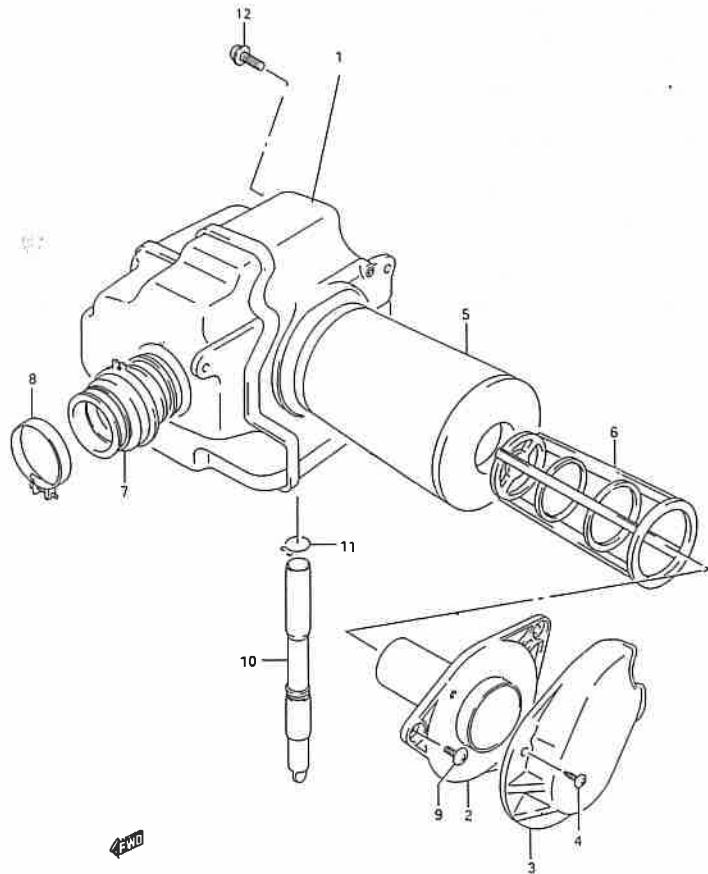


FIG. 5 (B-7) CARBURETOR

REF. NO.	PART NO.	DESCRIPTION	QTY	REMARKS
	13200-21DA0	CARBURETOR ASSY	1	
1	13251-23010	.GASKET, float chamber	1	
2	13250-04700	.FLOAT	1	
3	09491-90007	.JET, main (90)	1	
4	13332-44080	.GASKET	1	
5	09494-00543	.JET, needle (P-O)	1	
6	13383-21DA0	.NEEDLE, jet (90) <i>409-2</i>	1	
7	13394-10010	.E RING	1	
8	13254-01010	.PIN, float	1	
9	13370-21DA0	.VALVE ASSY, needle (1.8)	1	
10	13392-01010	.GASKET	1	
11	09492-17006	.JET, pilot (17.5)	1	
12	09351-30503-600	.HOSE, air vent	2	600-375
13	13601-04148	.SCREW	4	
14	13551-23400	.VALVE, piston (CA:1.5)	1	
15	13581-09210	.PLATE	1	
16	13573-36110	.SPRING	1	
17	13268-48700	.SPRING	1	
18	13267-01010	.SCREW, adjuster	1	
19	13577-22600	.ADJUSTER, cable	1	
20	13661-16600	.NUT	1	
21	13247-13A00	.PLUG, drain	1	
22	13418-03110	.HOLDER, guide	1	
23	13417-01010	.SPRING	1	
24	13411-01010	.PLUNGER	1	
25	13268-01010	.SPRING	1	
26	09351-30503-600	.HOSE, over flow (3x5x600)	1	600-225
27	13269-95110	.SCREW, air (1 1/4)	1	
28	13261-17400	.CAP ASSY	1	

FIG. 6

FIG. 6 (B-8) AIR CLEANER



REF. NO.	PART NO.	DESCRIPTION	QTY	REMARKS
1	13700M21D10	CASE CLEANER ASSY, air	1	Δ13700M×1D10 2M25.00
2	13740M21D00	.CAP	1	
3	13891-21D00	.TUBE, inlet	1	
4	03241-14103	.SCREW, tapping	3	
5	13780M21D00	.FILTER	1	
6	13791M21D00	.HOLDER	1	
7	13881M21D10	.TUBE, outlet	1	
8	09402-50208	.CLAMP	1	
9	02142-05103	.SCREW	3	
10	13872-00A00-010	.CAP, drain	1	
11	09401-13409	.CLIP, drain	1	
12	02112-16163	SCREW	3	

2

2

FIG. 7

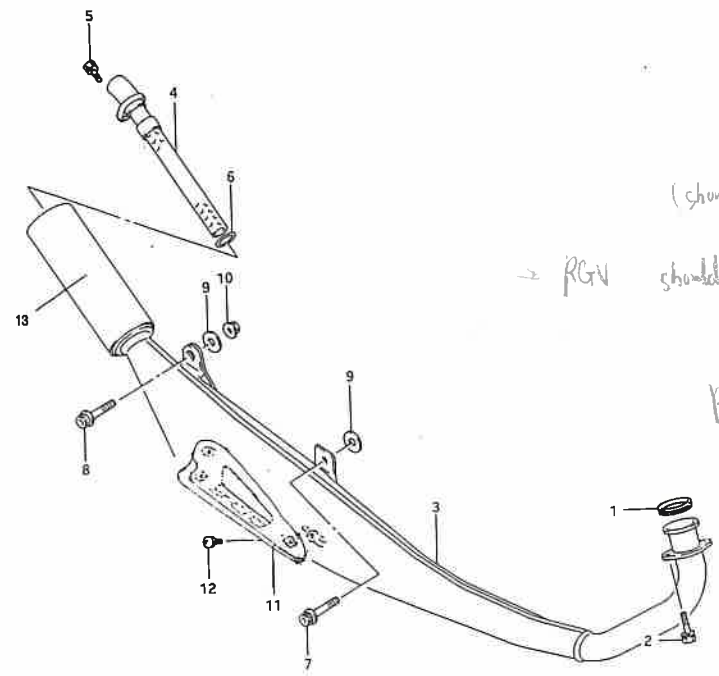


FIG. 7 (B-9) MUFFLER

REF. NO.	PART NO.	DESCRIPTION	QTY	REMARKS
1	14181M35410	GASKET, exhaust pipe	1	
2	09137-08007	BOLT	2	
3	14301M21D40	MUFFLER ASSY	1	
4	14510M21D21A	PIPE, baffle	1	
5	09137-05009	SCREW	1	
6	09280-22016	O RING	1	
7	07120-08357	BOLT	1	
8	07120-08357	BOLT	1	
9	08322-01083	WASHER	2	
10	08316-10082	NUT	1	
11	14780M-21D00A	PROTECTOR, muffler	1	
12	02112-36083	SCREW	3	
13	14781M21D70	COVER MUFFLER	1	

(should)

RGV should get Inbag

RGV no hole (sample testly)

RGV

FIG. 8

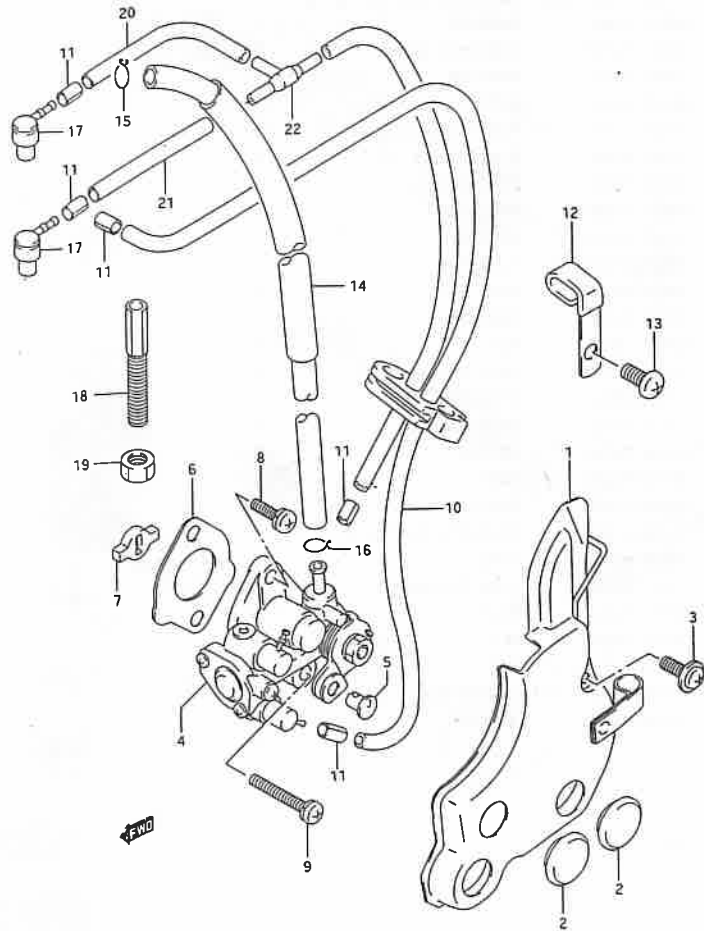


FIG. 8 (B-10) OIL PUMP

REF. NO.	PART NO.	DESCRIPTION	QTY	REMARKS
1	11385M21D00	CAP, oil pump inspection	1	
2	09250-12009	CAP	2	
3	02112-05103	SCREW	2	
4	16100-21D11	PUMP ASSY, oil	1	
5	16292-03112	TERMINAL, cable	1	
6	16731-03101	GASKET, oil pump	1	
7	16391-05031	PIECE, drive	1	
8	02112-35163	SCREW	1	
9	02112-35303	SCREW	1	
10	16820-21D02	HOSE, oil No. 2	1	
11	09401-04401	CLIP	5	
12	16816-21D00	CLAMP, oil hose No. 2	1	
13	02112-06123	SCREW	1	
14	16810-21D00	HOSE, oil No. 1	1	
15	09401-09101	CLIP, oil hose, upper	1	
16	09401-08401	CLIP, oil hose, lower	1	
17	16910-21D00	NIPPLE, oil hose No. 2	2	
18	16192M38D00	ADJUSTER	1	
19	08310-00083	NUT	1	
20	09352-20503-600	HOSE, oil No. 2 R	1	600-170
21	09352-20503-600	HOSE, oil No. 2 L	1	600-105
22	09367-03001	JOINT, oil hose No. 2	1	

2

2

FIG. 9

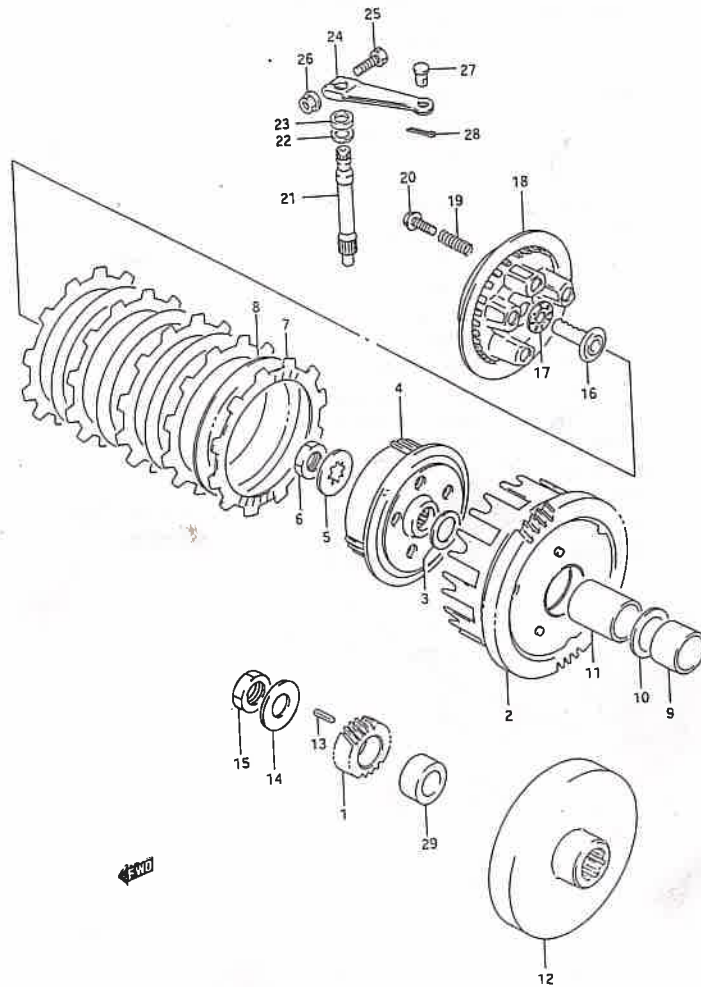
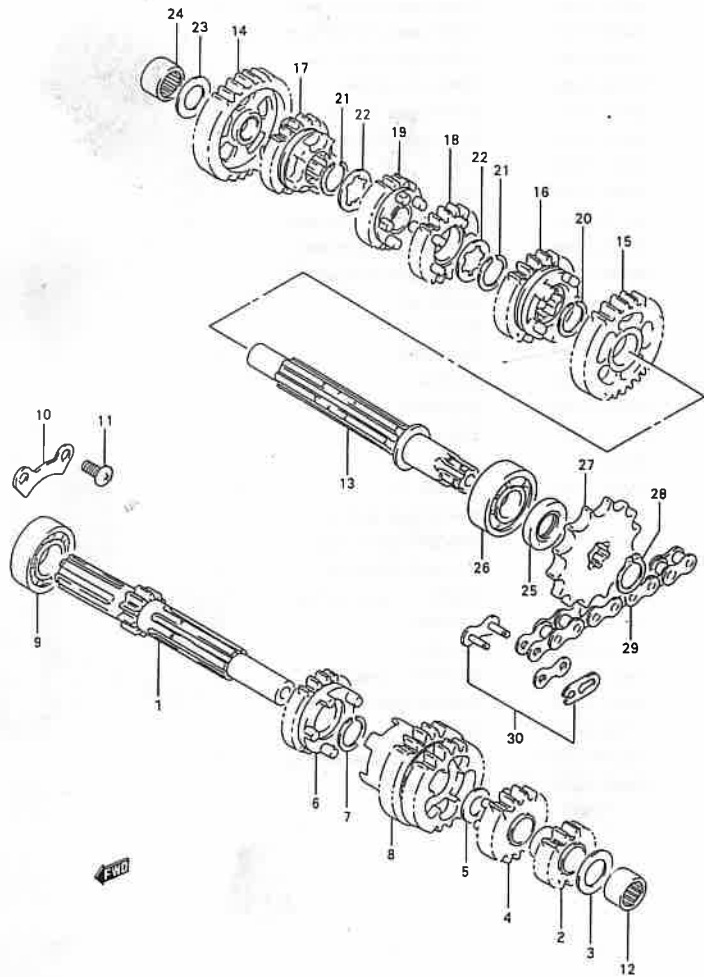


FIG. 9 (C-2) CLUTCH

REF. NO.	PART NO.	DESCRIPTION	QTY	REMARKS
1	21111-21D10	GEAR, primary drive	1	
2	21200-21D30	041 GEAR, primary driven <i>0.8</i>	1	
3	08211-17282	WASHER	1	
4	21411-21D30	HUB, clutch sleeve	1	
5	09167-17002	WASHER	1	
6	09140-16005	NUT	1	
7	21441-21D11	PLATE, drive <i>0.8</i>	5	
8	21451-22000	PLATE, driven	4	
9	09180-17100	SPACER	1	
10	08211-17282	WASHER	1	
11	21251-21D70	SPACER	1	
12	12656-21D10	FLYWHEEL	1	
13	09421-04004	KEY	1	
14	09164-16005	WASHER	1	
15	09140-16005	NUT	1	
16	23165-21D10	RACK, release	1	
17	09263-10002	BEARING	1	
18	21462-21D30	DISK, pressure	1	
19	09440-15008	SPRING	5	
20	09116-05003	BOLT	5	
21	23261-13A01	PINION, release	1	
22	09160-12086	WASHER (12.5x17x1.0)	1	
23	09285-10004	SEAL	1	
24	23271-28B00	ARM, RELEASE	1	
25	01500-06253	BOLT	1	
26	08316-10063	NUT	1	
27	09200-06004	PIN	1	
28	04111-20158	COTTER PIN	1	
29	21114-21D00	SPACER	1	

FIG. 10

FIG. 10 (C-3) TRANSMISSION

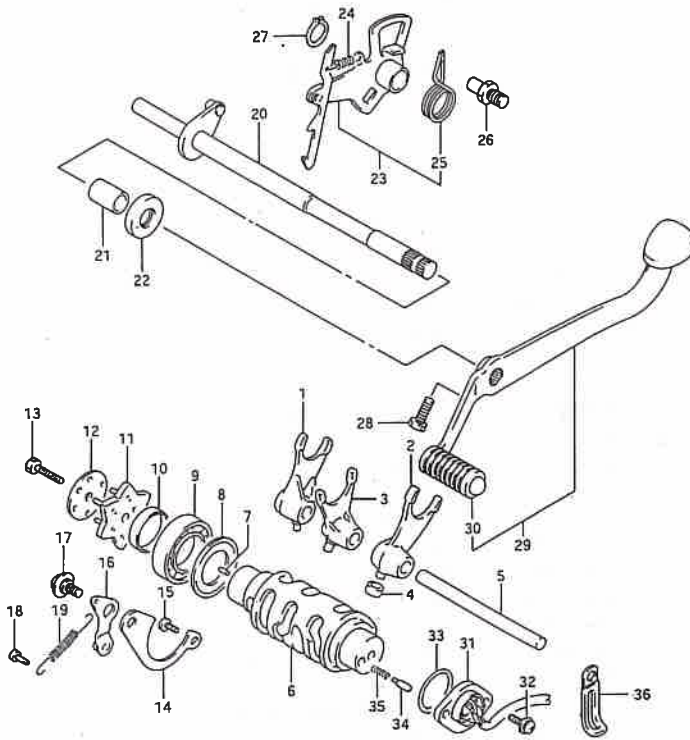


REF. NO.	PART NO.	DESCRIPTION	QTY	REMARKS
1	24121-21D11	COUNTERSHAFT (NT:11)	1	
2	24221-21D01	GEAR, 2nd drive (NT:14)	1	
3	09160-13006	WASHER (13x24x1.0)	1	
4	24230-38D00	GEAR, 3rd drive (NT:17)	1	Δ 20D10
5	09160-13012	WASHER (13x8x1.0)	1	
6	24241-21D00	GEAR, 4th drive (NT:19)	1	
7	09380-17007	CIRCLIP	1	
8	24251-21D11	GEAR, 5th & 6th drive (NT:20)	1	
9	08110-62030	BEARING, RH	1	
10	24741-21D00	RETAINER, bearing	1	
11	02112-06123	SCREW	2	
12	09263-13001	BEARING, LH	1	
13	24131-21D00	SHAFT, drive	1	
14	24310-21D00	GEAR, 1st driven (NT:32)	1	
15	24321-21D02	GEAR, 2nd driven (NT:24)	1	
16	24331-21D00	GEAR, 3rd driven (NT:22)	1	
17	24341-21D00	GEAR, 4th driven (NT:20)	1	
18	24351-21D00	GEAR, 5th driven (NT:18)	1	
19	24361-21D10	GEAR, 6th driven (NT:17)	1	
20	09380-17010	CIRCLIP	1	
21	09380-17010	CIRCLIP	2	
22	09167-17003	WASHER	2	
23	09160-13006	WASHER	1	
24	09263-13001	BEARING, RH	1	
25	09283-17014	OIL SEAL	1	
26	09262-17023	BEARING, LH	1	
27	27511-46000	SPROCKET, engine (NT:13)	1	
28	08331-31166	CIRCLIP	1	
29	27600-20910-126	CHAIN, drive (DID428, 126LE)	1	
30-1	27620-20910	JOINT (DID)	1	
30-2	27620-40220	JOINT (RK)	1	

2

2

FIG. 11



RGV 120

FIG. 11 (C-4) GEAR SHIFTING

REF. NO.	PART NO.	DESCRIPTION	Q'TY	REMARKS
1	25210-21D00	FORK, gear shifting, No. 1	1	
2	25220-21D00	FORK, gear shifting, No. 2	1	
3	25230-21D00	FORK, gear shifting, No. 3	1	
4	09180-06086	SPACER (6x9.8x6)	3	
5	25411-21D01	SHAFT, gear shifting	1	
6	25310-21D10	CAM, gear shifting	1	
7	04221-04089	.PIN	1	
8	25385-21D00	SEAL	1	
9	08113-69050	BEARING, gear shift cam	1	
10	09180-25097	SPACER, gear shift cam	1	
11	25380-21D10	PLATE, gear shift cam	1	
12	25384-21D00	GUIDE, pin	1	
13	01500-06253	BOLT	1	
14	25341-21D01	RETAINER	1	
15	02112-06123	SCREW	1	
16	25350-21D00	STOPPER, cam	1	
17	09111-06041	BOLT	1	
18	09223-04001	HOOK	1	
19	09443-07042	SPRING	1	09443-07042
20	25510-21D12	SHAFT, gear shifting	1	
21	25516-21D10	SPACER (12x18x14.8)	1	
22	09285-12002	OIL SEAL (12x22x9)	1	
23	25501-21D10	ARM ASSY, gear shifting	1	
24	09443-05020	.SPRING	1	
25	09443-23002	.SPRING	1	
26	25671-36A00	STOPPER, ARM	1	
27	08331-31146	CIRCLIP, gear shift arm	1	
28	01500-06203	BOLT	1	
29	25600M-21D10	LEVER ASS, gear shifting	1	
30	25652-20C00	.RUBBER, pedal	1	

FIG. 11

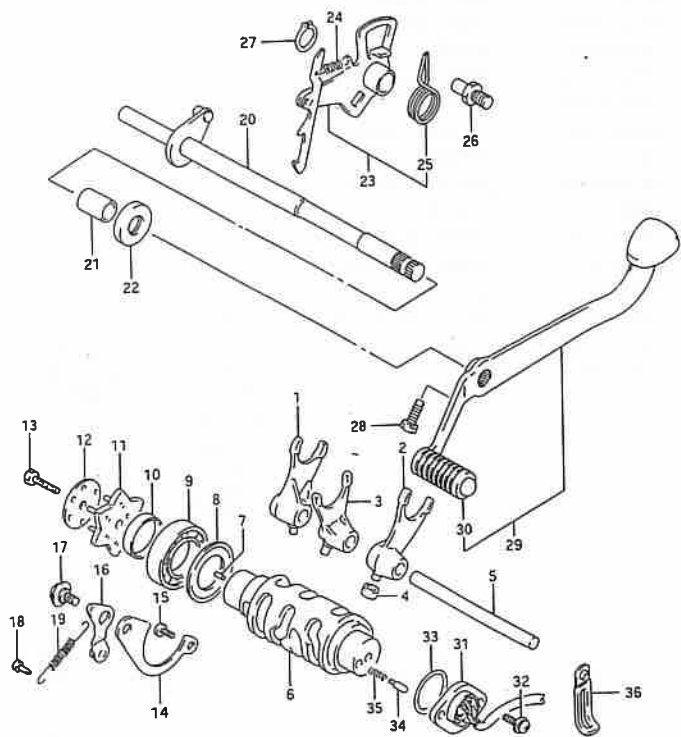


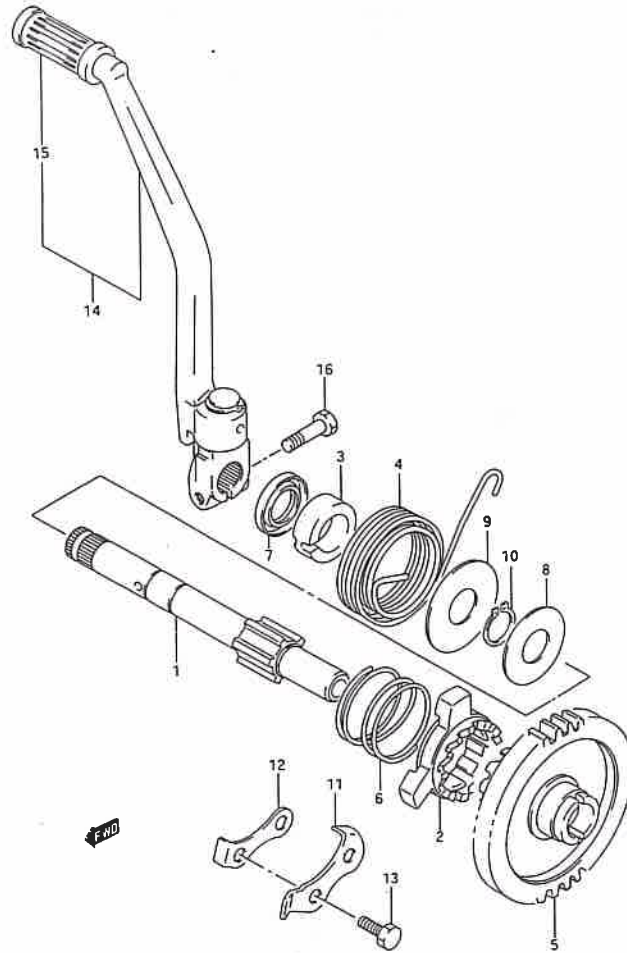
FIG. 11 (C-5) GEAR SHIFTING

REF. NO.	PART NO.	DESCRIPTION	Q'TY	REMARKS
31	37720-21D50	BASE ASSY, gear shift	1	
32	02142-05123	SCREW	2	
33	09280-26003	O RING (D2:2.4, ID:26.2)	1	
34	09209-05011	CONTACT, switch	1	
35	09440-04010	SPRING	1	
36	09404-06429	CLAMP (L:60)	2	

2

FIG. 12

2



RGV 120

FIG. 12 (C-6) KICK STARTER

REF. NO.	PART NO.	DESCRIPTION	Q'TY	REMARKS
1	26211-21D01	SHAFT, kick starter	1	
2	26231-21D01	STARTER, kick	1	
3	26221-21D00	GUIDE, spring	1	
4	09448-40007	SPRING	1	
5	26241-21D00	GEAR, drive (NT:35)	1	
6	09440-31002	SPRING	1	
7	09285-14001	OIL SEAL (14x24x6)	1	
8	08211-14321	WASHER	1	
9	09160-14042	WASHER (14x38x1)	1	
10	08331-31146	CIRCLIP	1	
11	26232-21D00	GUIDE, kick starter	1	
12	26233-35410	stopper, kick starter	1	
13	01500-06123	BOLT	2	
14	26300M21D30	LEVEL ASSY, kick starter	1	
15	26352-01000	COVER	1	
16	01500-06253	BOLT	1	

FIG. 13

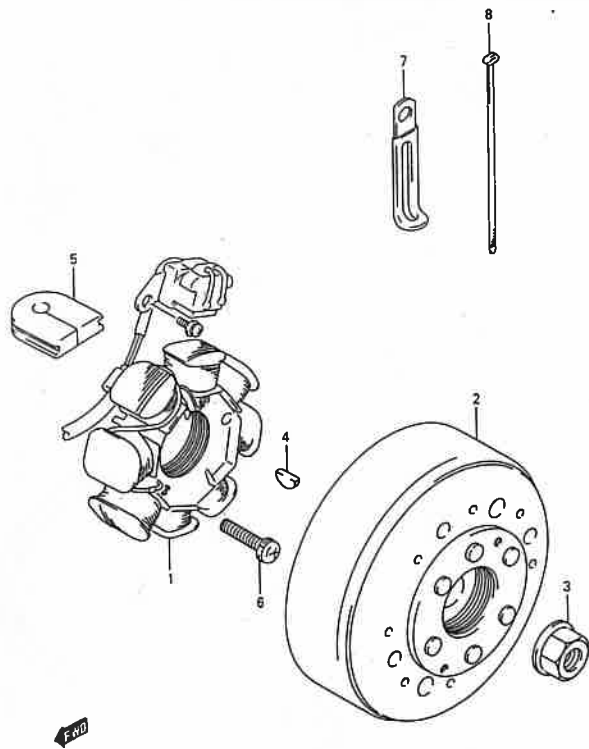
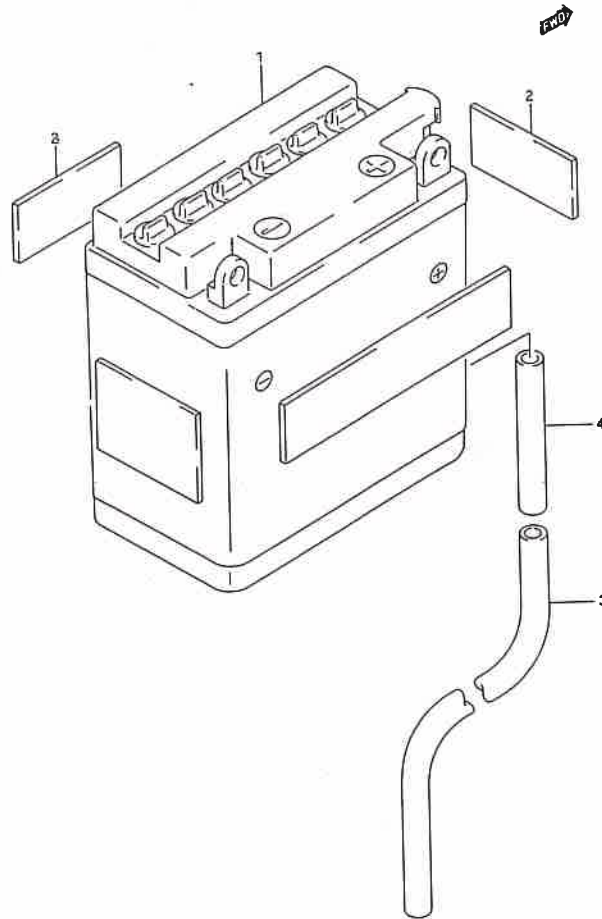


FIG. 13 (D-2) MAGNETO

REF. NO.	PART NO.	DESCRIPTION	QTY	REMARKS
1	32101-21D10	STATOR ASSY	1	
2	32102-21D10	ROTOR ASSY	1	
3	08316-10103	NUT	1	
4	08341-31039	KEY	1	
5	32372-21D00	GROMMET	1	
6	02142-05123	SCREW	3	
7	09404-06429	CLAMP (L:60)	1	
8	09407-14407	CLAMP (L:145)	1	

3

FIG. 14



3

FIG. 14 (D-3) BATTERY

REF. NO.	PART NO.	DESCRIPTION	Q'TY	REMARKS
1	33610M31C10	BATTERY (YB3L-B)	1	
2	33652M41D00	PROTECTOR (25x40x2)	2	
3	09352-50823-600	HOSE, battery exhaust (L:600)	1	
4	33681M21D00	HOSE, battery breather (L:50)	1	

FIG. 15

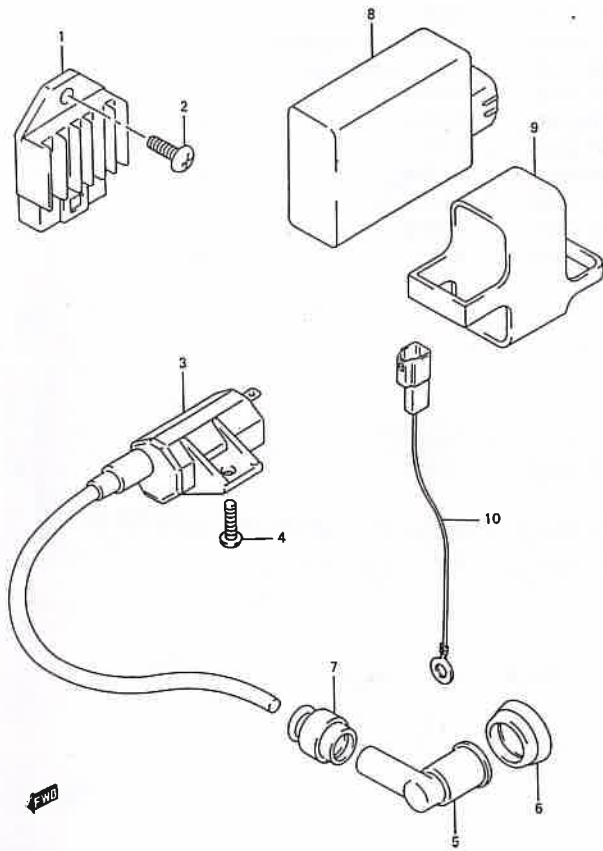


FIG. 15 (D-4) ELECTRICAL

REF. NO.	PART NO.	DESCRIPTION	QTY	REMARKS
1	32800-36C30	RECTIFIER ASSY, regulator	1	
2	02112-06163	SCREW	1	
3	33410-22A00	COIL ASSY, ignition	1	Δ - >> AV0
4	02142-06163	SCREW	1	
5	33510-35411	CAP, spark plug	1	
6	33541-69010	SEAL, plug	1	
7	33542-38B00	SEAL, high tension cord	1	
8	32900-21D10	CDI UNIT	1	Δ 21D12
9	32980M30D10	CUSHION, CDI Unit	1	
10	33860M21D00	WIRE, engine earh	1	

3

FIG. 16

3

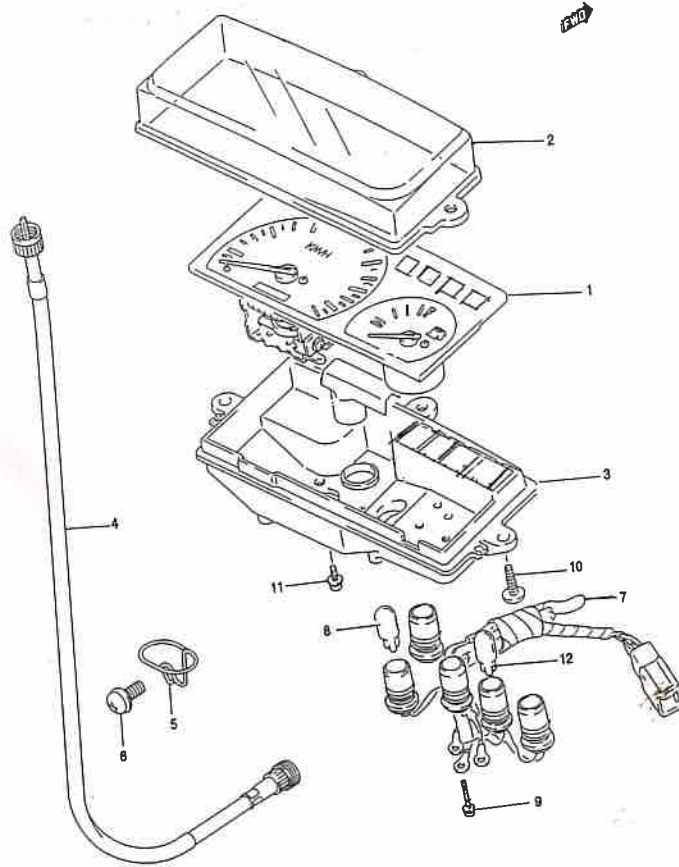


FIG. 16 (D-5) SPEEDOMETER

REF. NO.	PART NO.	DESCRIPTION	QTY	REMARKS
	34100M21D40 (RUX)	SPEEDOMETER ASSY	1	RUY ~ 21E90A
1	34120M21D40	METER	1	
2	34150M39C00	HOOD METER	1	
3	34111M21D40	CASE	1	
4	34910M21D11	CABLE ASSY, speedometer	1	
5	34938-21D01	GUIDE, speedometer	1	
6	02112-16123	SCREW	1	
7	3417321D20	SOCKET	1	
8	0947112018	BULB	1	
9	34383-09400	SCREW	3	
10	03541-05163	SCREW	3	
11	02112-74103	SCREW	2	
12	09471-12077	BULB	4	

(RG) RGV { 34100M21D20 = RG Sports
 34100M21D40 = RUX (No tach).
 (For RG) RGV { 34100M21E90A = RG Sports Conversion kit (with tach)
 34100M21E90A = RUY (= tach).

34100M21E99A = <dis con>
 34100M21E90 = <dis con>
 34100M21D90 = <dis con>

FIG. 17

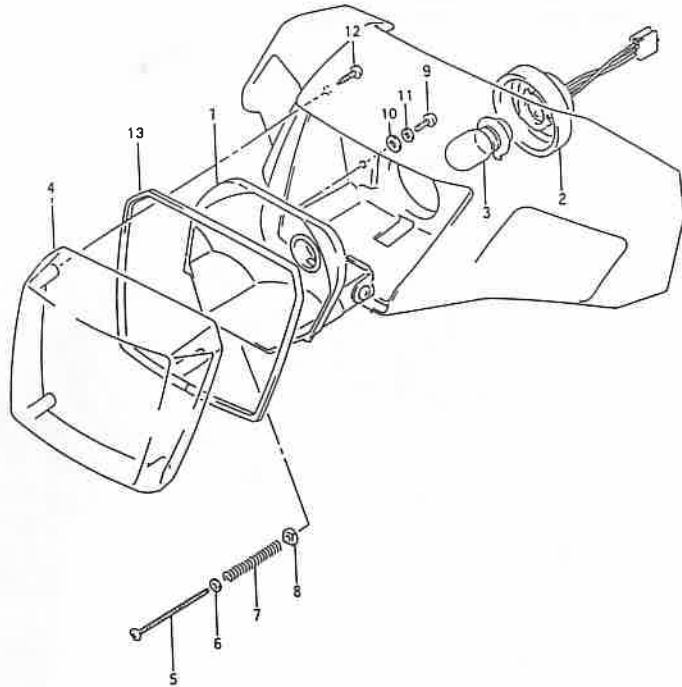


FIG. 17 (D-6) HEADLAMP

REF. NO.	PART NO.	DESCRIPTION	Q'TY	REMARKS
1	35120-31C00	REFLECTOR, headlamp	1	
2	35171-37B00	.SOCKET	1	
3	09471-12013	.BULB (12V, 25/25W)	1	
4	35124M21DM0	LENS, headlamp	1	
5	09125-04501	SCREW, adjuster (4x45)	1	
6	35128-37B00	WASHER	1	
7	35154-49200	SPRING	1	
8	35152-45600	NUT	1	
9	02112-05123	SCREW	2	
10	08321-01057	WASHER	2	
11	08322-01057	LOCK WASHER	2	
12	09132-04026	SCREW	4	
13	35125M21DM0	GASKET, lens	1	

3

FIG. 18

3

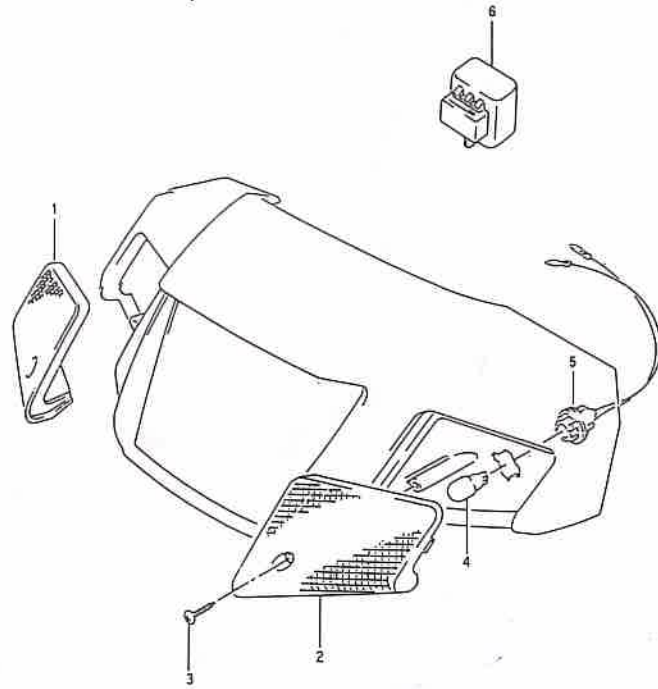


FIG. 18 (D-7) FRONT TURN SIGNAL LAMP

REF. NO.	PART NO.	DESCRIPTION	QTY	REMARKS
1	35612M21DM0	LENS, FR turnsignal RH	1	
2	35632M21DM0	LENS, FR turnsignal LH	1	
3	03511-04163	SCREW	2	
4	09471M12D99A	BULB (12V, 10W) <i>Orange</i>	2	
5	35618-37B00	SOCKET	2	
6	38610-09410	RELAY ASSY, turnsignal	1	

FIG. 19

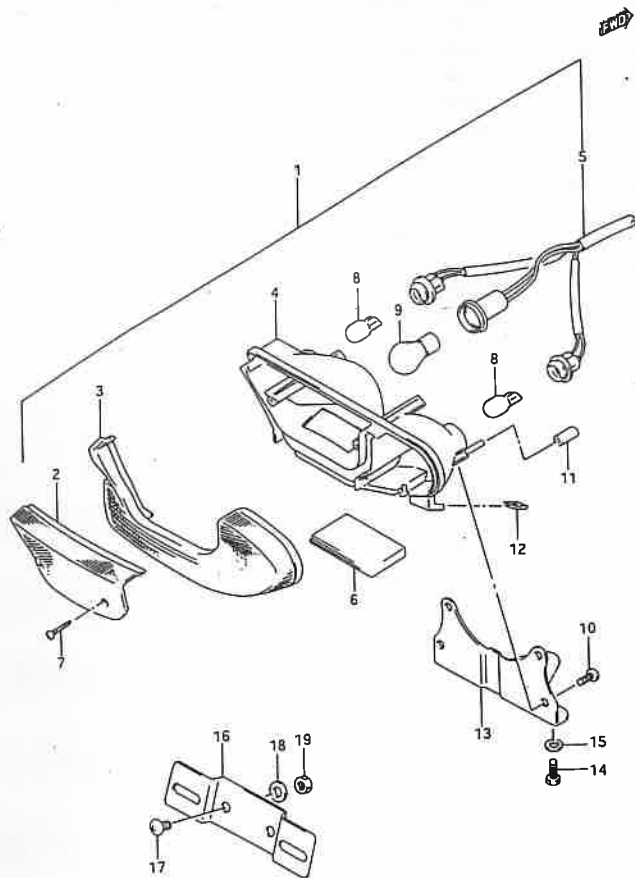


FIG. 19 (D-8) REAR COMBINATION LAMP

REF. NO.	PART NO.	DESCRIPTION	QTY	REMARKS
1	<i>RUX</i> 35710M21DM0	LAMP ASSY, rear combination	1	<i>RUY = 35710M 21E99A</i>
2	<i>RUT</i> 35712M21DM0	.LENS, tail	1	<i>RUY = 35712M 21E99</i>
3	35652M21DM0	.LENS, turnsignal	1	<i>RUY = 35652M 21E99</i>
4	35715M21D10	.HOUSING	1	
5	35718M21D10	.CORD	1	
6	35912M21D10	.LENS, license	1	
7	03511-04203	.TAPPING SCREW	2	
8	09471M12D99A	.BULB, turn <i>orange</i>	2	
9	09471-12119	.BULB, tail	1	
10	03541-05123	SCREW	4	
11	09352-45853-00B	CUSHION	2	L:100-15
12	09148-05004	NUT	8	
13	35730M21D00	BRACKET, tail lamp	1	<i>35730M 21E99A BLK</i>
14	01500-06163	BOLT	3	
15	09160-06126	WASHER (6.5x14x2)	3	
16	35927M36510	BRACKET, license plate	1	
17	02142-06123	SCREW	2	
18	09160-06093	WASHER (6.5x14x2.0)	2	
19	08310-00063	NUT	2	

3

FIG. 20

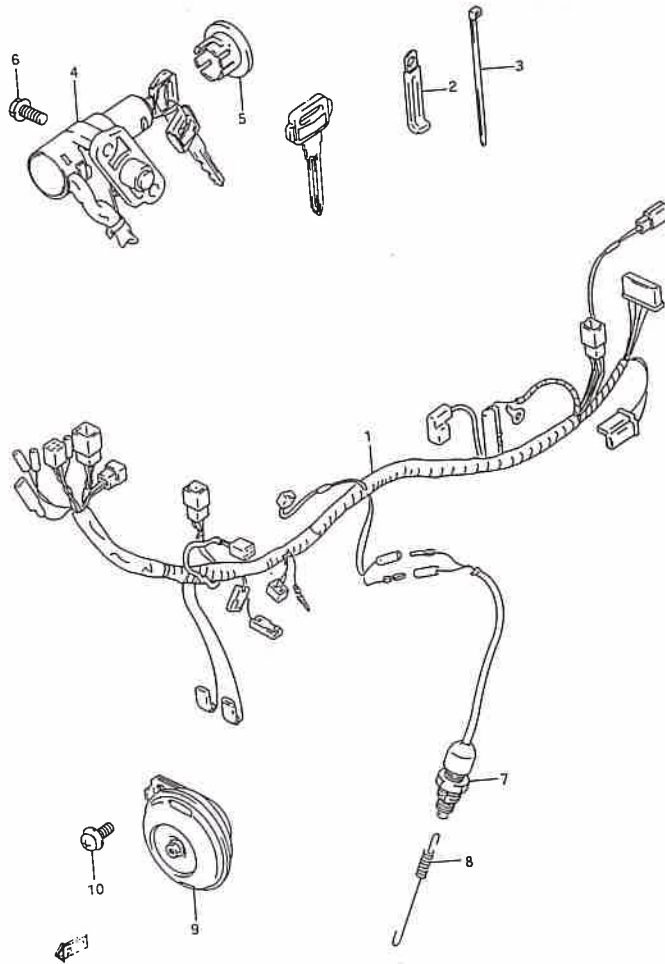


FIG. 20 (D-9) WIRING HARNESS

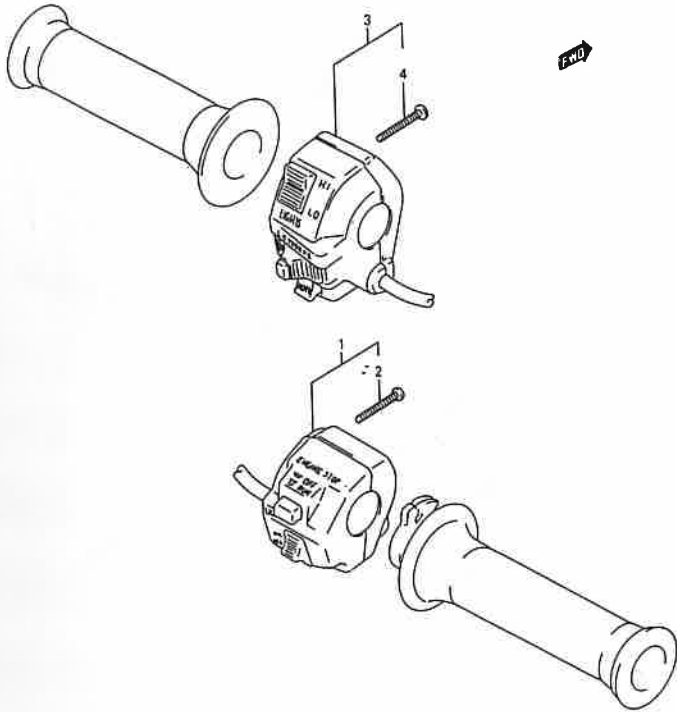
REF. NO.	PART NO.	DESCRIPTION	Q'TY	REMARKS
1	36610M21D70	HARNESS, wiring	1	Δ M21E99A → M21E99B
2	09404-06429	CLAMP (L:60)	1	
3-1	09407-11401	CLAMP (L:95)	1	
3-2	09407-14403	CLAMP (L:125)	3	
3-3	09407-18403	CLAMP (L:165)	4	
3-4	09407-25401	CLAMP (L:235)	1	
4	37100-31C01	LOCK ASSY, steering	1	
5	37155-31C00	CAP	1	
6	01550-06163	BOLT	2	
7	37740-04A10	SWITCH ASSY, stop lamp	1	
8	09443-06027	SPRING	1	
9	38500-21D11	HORN ASSY	1	
10	02112-16123	SCREW	1	

FIG. 21

MARKS
4E99B

FIG. 21 (D-10) HANDLE SWITCH

REF. NO.	PART NO.	DESCRIPTION	QTY	REMARKS
1	37200-21D30	SWITCH ASSY, handle RH	1	
2	02112-05305	.SCREW	2	
3	37400-21D10	SWITCH ASSY, handle LH	1	
4	02112-05305	.SCREW	2	



3

FIG. 22

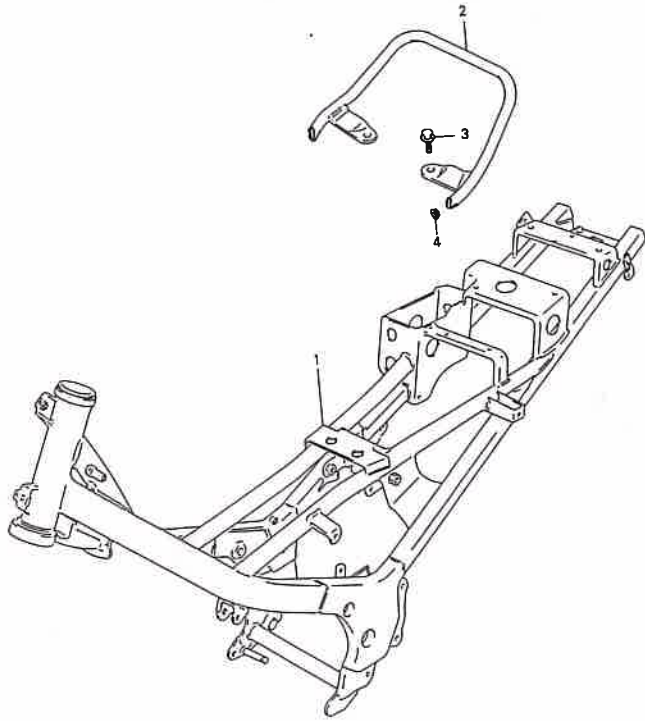


FIG. 22 (E-2) FRAME

REF. NO.	PART NO.	DESCRIPTION	QTY	REMARKS
1	41100M21D60	FRAME	1	
2	46210M21D10A	HANDLE, pillion rider	1	
3	46210M31C99A	PLUG	2	
4	01550-10203	BOLT	2	

4

FIG. 23

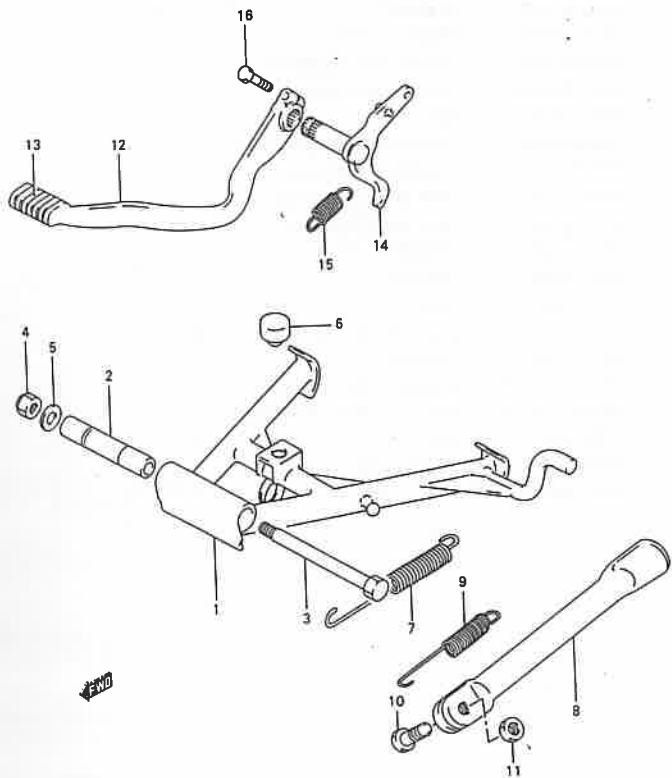


FIG. 23 (E-3) STAND - REAR BRAKE

REF. NO.	PART NO.	DESCRIPTION	QTY	REMARKS
1	42100M21D10	STAND, center	1	
2	42211M03001	SPACER, center stand	1	
3	42129-21D00	BOLT	1	
4	08319-21106	NUT	1	
5	09160-10005	WASHER	1	
6	09321-10001	CUSHION, center stand	1	
7	42191-21D00	SPRING	1	
8	42310M21D10	STAND, prop	1	
9	09443-14022	SPRING	1	
10	09100-10287	BOLT	1	
11	09140-10043	NUT	1	
12	43110M21D20	PEDAL, brake	1	
13	25652-49300	RUBBER	1	
14	43120M21D10	ARM, brake pedal	1	
15	09443-14025	SPRING, brake pedal	1	
16	01500-06253	BOLT	1	

4

FIG. 24

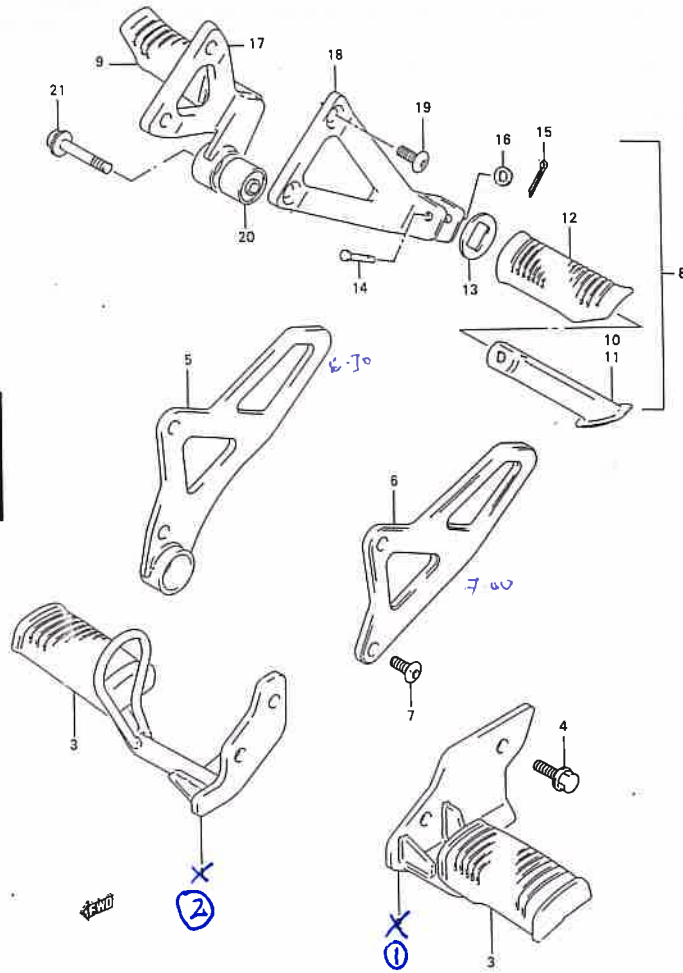


FIG. 24 (E-4) FOOTREST

REF. NO.	PART NO.	DESCRIPTION	Q'TY	REMARKS
1	43510M21D20 ^A	BAR, front RH LH	1	
2	43550M21D10	BAR, front LH RH	1	
3	43551M39110	RUBBER	2	
4	09103-08505	BOLT	2	
5	43580M21D10	GUARD, front footrest RH	1	
6	43591M21D10	GUARD, front footrest LH	1	
7	09106-08128	BOLT	4	
8	43600M21D00	FOOTREST ASSY, pillion RH	1	
9	43700M21D00	FOOTREST ASSY, pillion LH	1	
10	43610-34A00	BAR, pillion footrest RH	1	
11	43710-34A00	BAR, pillion footrest LH	1	
12	43612-21D00	RUBBER	2	
13	43631-34A01	WASHER	2	
14	09200-06057	PIN	2	
15	04111-25158	.COTTER PIN	2	
16	08322-01063	WASHER	2	
17	43810M21D10-126	BRACKET, pillion RH (silver)	1	
18	43820M21D10-126	BRACKET, pillion LH (silver)	1	
19	09106-08091	BOLT	4	
20	09319-08028	BUSH, muffler	1	
21	09103-08222	BOLT, muffler	1	

FIG. 25

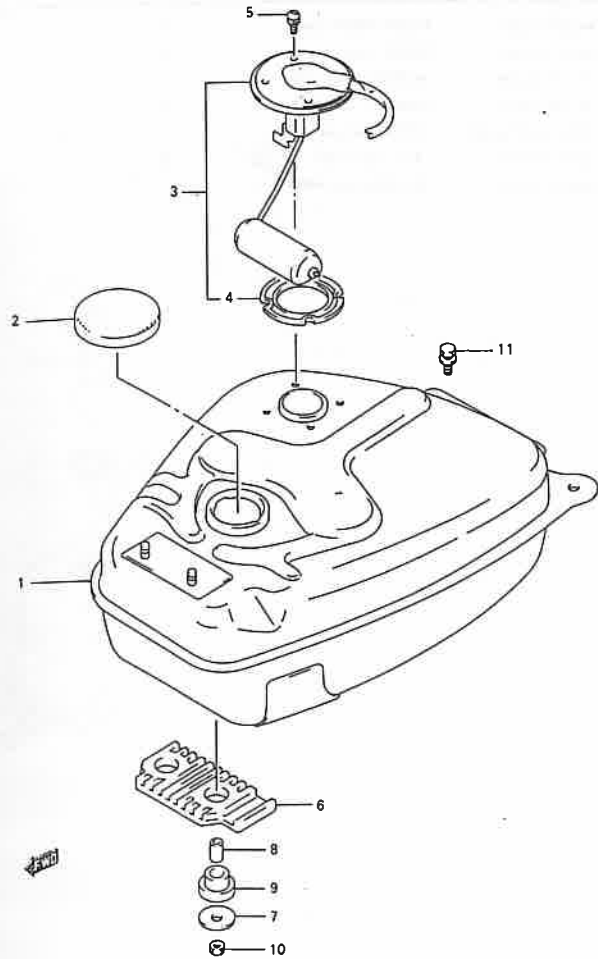


FIG. 25 (E-5) FUEL TANK

REF. NO.	PART NO.	DESCRIPTION	QTY	REMARKS
1	44110M21D10	TANK, fuel	1	4410-21D10L000
2	44210-24D10	CAP, fuel tank	1	44210-35D14
3	34810M21D02	GUAGE ASSY, fuel level	1	
4	34825-02100	.GASKET	1	
5	02112-35123	SCREW	4	
6	44542M21D00	CUSHION, fuel tank lower	1	
7	09160-06004	WASHER, fuel tank lower	2	
8	09180-06293	SPACER, fuel tank lower	2	
9	09320-10022	CUSHION, fuel tank lower No. 2	2	
10	08310-00063	NUT, fuel tank lower	2	
11	01550-06163	BOLT, rear	2	

4

FIG. 26

4

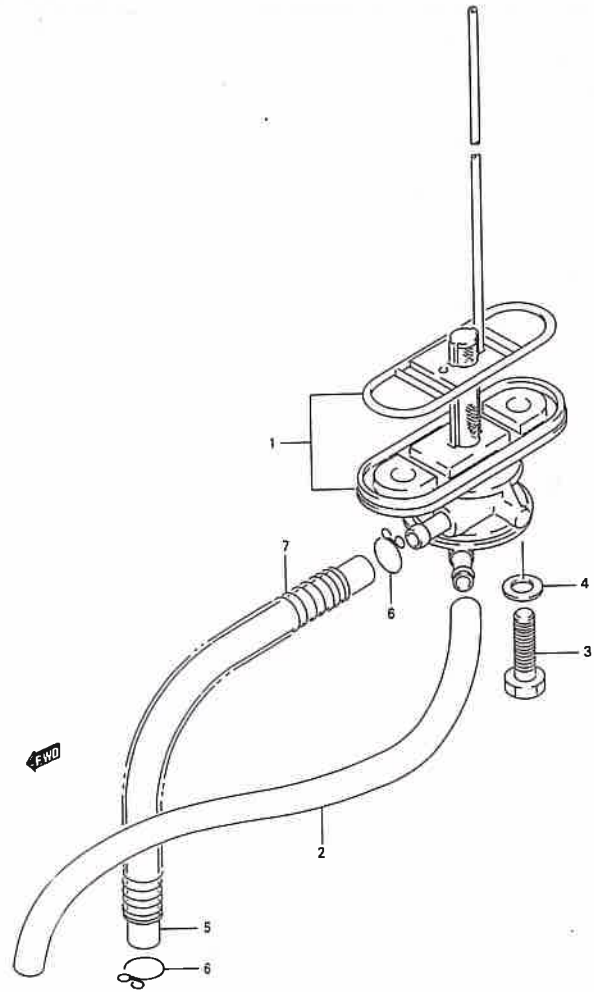


FIG. 26 (E-6) FUEL COCK

REF. NO.	PART NO.	DESCRIPTION	Q'TY	REMARKS
1	44300-21D00	COCK ASSY. fuel	1	
2	44421-21D00	HOSE, fuel	1	
3	09128-06035	SCREW, fuel cock	2	
4	09168-06026	GASKET, fuel cock	2	
5	09352-50823-440	HOSE, vacuum	1	
6	09401-08401	CLIP, fuel hose	2	
7	09440-10022	SPRING, fuel hose	1	

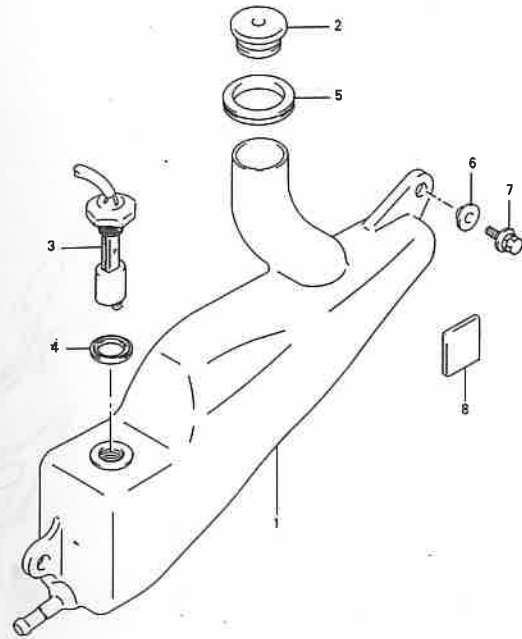
FIG. 27

FIG. 27 (E-7) OIL TANK

MARKS

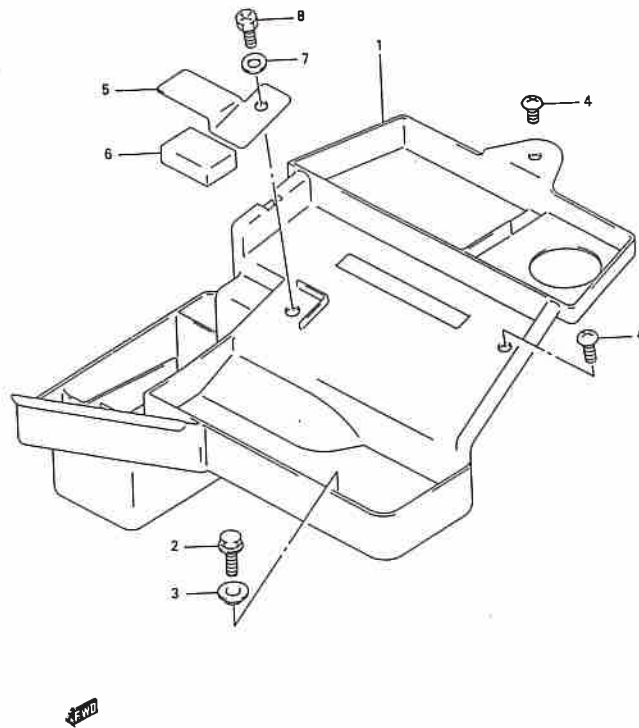
REF. NO.	PART NO.	DESCRIPTION	Q'TY	REMARKS
1	44611M21D10	TANK, oil	1	
2	44651-04701	CAP, oil tank filler	1	
3	37880-40D01	SWITCH ASSY, oil level	1	
4	44643-31000	GASKET, oil level switch	1	
5	44667-12900	RUBBER, oil tank inlet	1	
6	09169-06059	WASHER	2	
7	01500-06163	BOLT, oil tank	2	
8	44281-29C00	Cushion	2	

RGV120



4

FIG. 28



4

FIG. 28 (E-8) UPPER COVER

REF. NO.	PART NO.	DESCRIPTION	QTY	REMARKS
1	47341M21D10	COVER, upper	1	
2	02142-06123	SCREW	2	
3	09169-06033	WASHER, upper cover, front	2	
4	02142-06163	SCREW	2	
5	41561M21D10	PLATE, battery holder	1	
6	41579M21D10	CUSHION	1	
7	08322-01063	WASHER	1	
8	09128-06049	SCREW	1	

FIG. 29

REMARKS

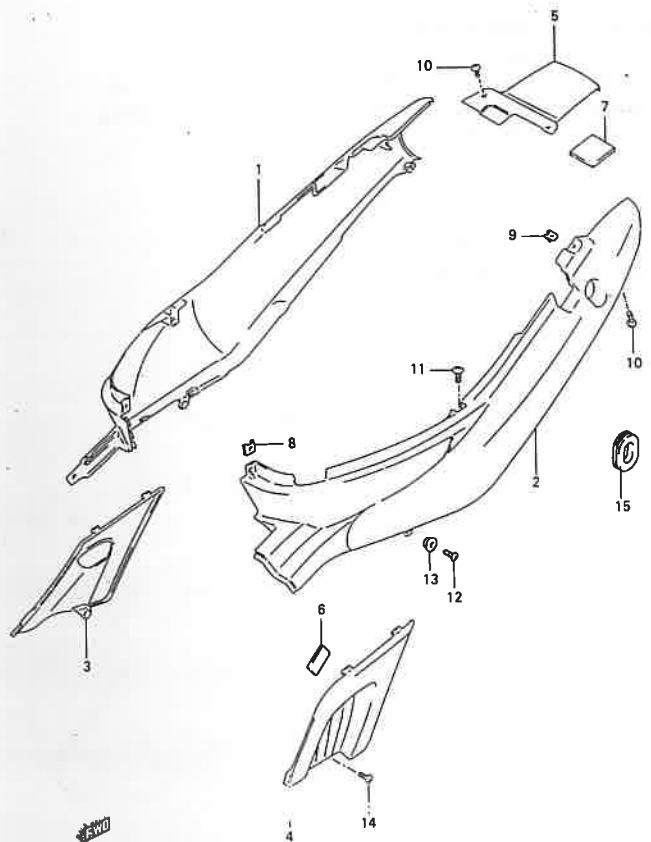
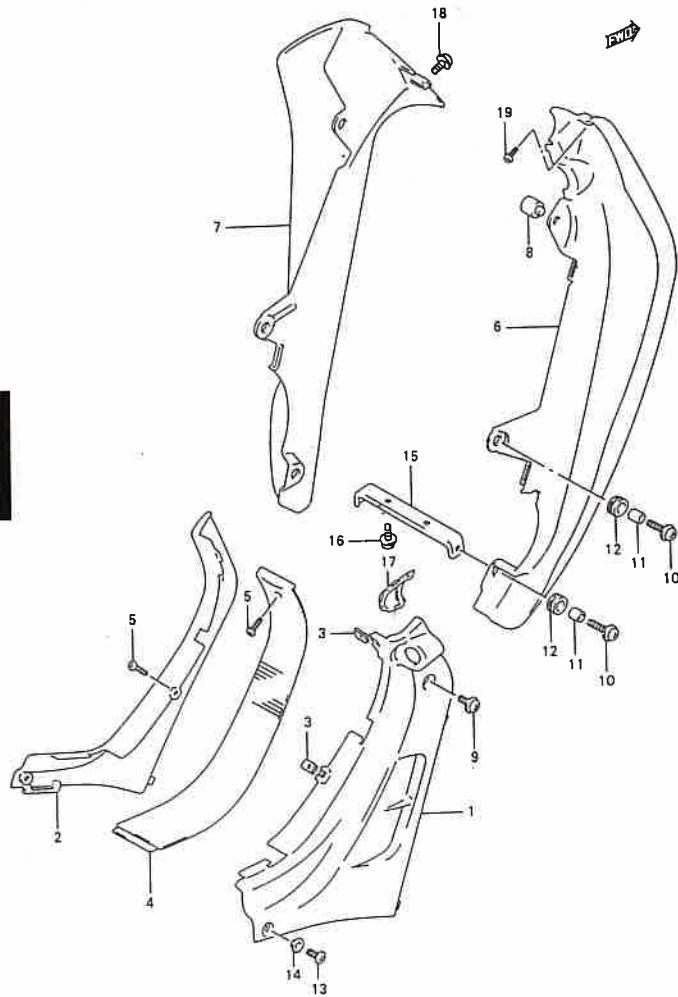


FIG. 29 (E-9) FRAME COVER

REF. NO.	PART NO.	DESCRIPTION	Q'TY	REMARKS
1	47111M21D90	COVER, frame RH	1	
2	47211M21D90	COVER, frame LH	1	
3	47131M21D90	COVER, side lower RH	1	
4	47231M21D90	COVER, side lower LH	1	
5	47311M21D10	COVER, side rear	1	
6	33652-35400	CUSHION, side lower LH	1	
7	33652-20000	CUSHION, rear	1	
8	09148-05004	NUT, front middle	1	
9	09148-05004	NUT, rear	2	
10	03241-05163	SCREW, rear	5	
11	02142-05163	SCREW, front upper	2	
12	02142-06123	SCREW, center lower	2	
13	09169-06033	WASHER, center lower	2	
14	02142-06163	SCREW, front lower	2	
15	48221-21D90	GROMMET, seat lock	1	

4

FIG. 30



4

RGV 120

FIG. 30 (E-10) LEG SHIELD

REF. NO.	PART NO.	DESCRIPTION	Q'TY	REMARKS
1	48111M21D10	LEG SHIELD ASSY, RH	1	
2	48121M21D10	LEG SHIELD ASSY, LH	1	
3	09148-04024	NUT, RH	2	
4	48131M21D10	LEG SHIELD, center	1	
5	03541-04203	SCREW center	2	
6	48161M21D00	SHIELD, leg lower RH	1	48161M21D90A
7	48171M21D00	SHIELD, leg lower LH	1	48171M21D90A
8	48198M21D00	SPACER, front	2	
9	09136-06113	SCREW, front	2	
10	09136-06009	SCREW, lower	4	
11	09180-06263	SPACER	4	
12	09320-09026	CUSHION	4	
13	02142-06123	SCREW, rear	2	
14	09169-06059	WASHER	2	
15	48180M21D00	BRACE, LEG SHIELD	1	
16	01570-06123	BOLT, BRACE	2	
17	48272M21D00	COVER, main switch	1	
18	09136-06017	SCREW, head tube	2	
19	03541-04123	SCREW, head cover	2	

FIG. 31

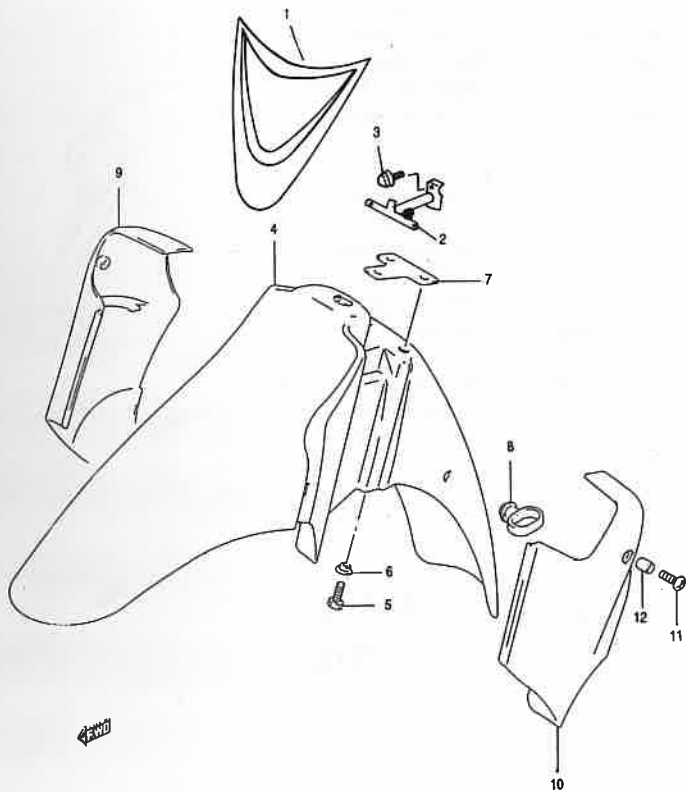


FIG. 31 (F-2) FRONT FENDER

REF. NO.	PART NO.	DESCRIPTION	QTY	REMARKS
1	51871M2+B90	COVER, frame head	1	△ 51871M 21E99A
2	51860M-21D90	BRACKET, head cover	1	
3	01550-06123	BOLT	1	
4	53111M21D90	FENDER, front	1	
5	01500-06163	BOLT	3	
6	09189-06060	WASHER	3	
7	53124M35400	REINFORCEMENT, front fender	1	
8	58621-21203	GUIDE, cable	1	
9	51881M21D90	COVER, front fork side RH	1	
10	51882M21D90	COVER, front fork side LH	1	
11	02142-06167	SCREW	2	
12	09180-06092	SPACER		

4

FIG. 32

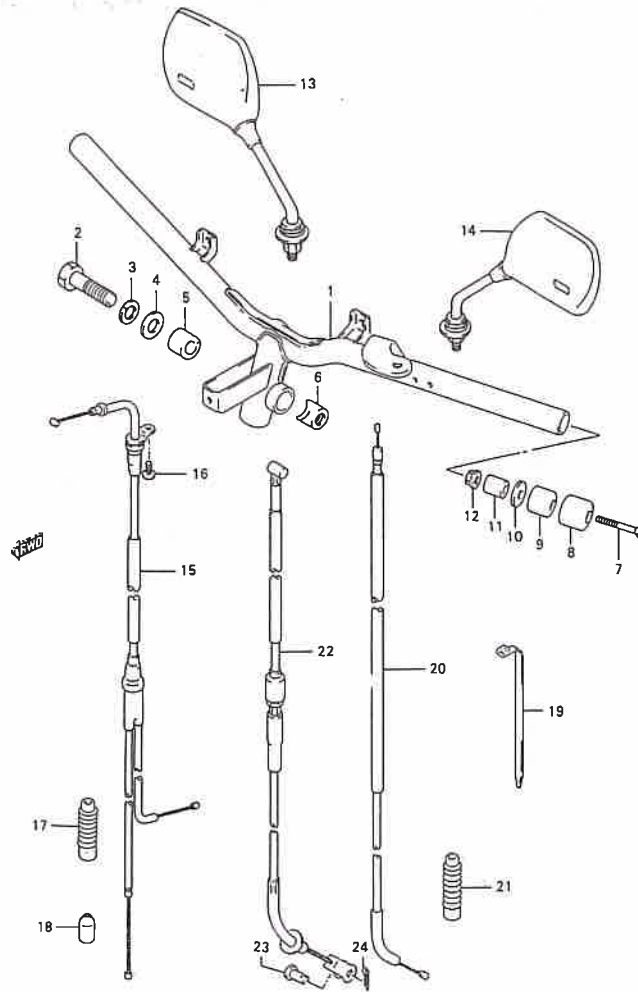


FIG. 32 (F-3) HANDLEBAR

REF. NO.	PART NO.	DESCRIPTION	QTY	REMARKS
1	56110M21D20	HANDLEBAR	1	
2	09100-12061	BOLT	1	
3	08321-01123	WASHER	1	
4	08322-01123	WASHER	1	
5	51358-35420	STOPPER, RH	1	
6	51350-35410	STOPPER, LH	1	
7	09127-06021	SCREW	2	
8	56274-21D10	CAP, balancer	2	
9	56271-21D10	BALANCER, handlebar	2	
10-1	56275-34401	SPACER, balancer	2	
10-2	56276-17D00	SPACER, balancer	2	
11-1	56272-44500	EXPANDER, balancer	2	
11-2	56272-21D00	EXPANDER, outer	2	
12	09159-06024	NUT	2	
13	56500M21D00	MIRROR ASSY, rear view, RH	1	
14	56600M21D00	MIRROR ASSY, rear view, LH	1	
15	58300M21D30	CABLE ASSY, throttle	1	
16	02112-05123	SCREW	1	
17	58333-35400	SEAL, throttle dust	1	
18	09287-07002	SEAL, dust	1	
19	09407-19401	CLAMP	2	
20	58410M21D30	CABLE, starter	1	
21	58333-35400	SEAL, starter dust	1	
22	58200M21D10	CABLE ASSY, clutch	1	
23	09200-06004	PIN	1	
24	04111-20158	PIN, cotter	1	

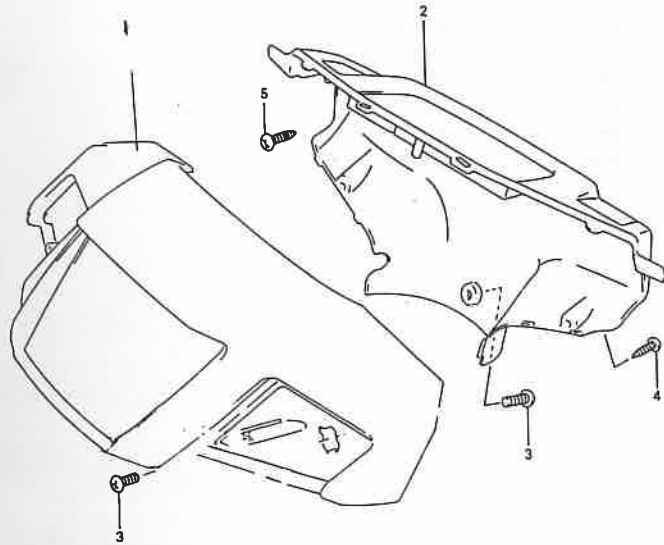
56500M21D00B000 A09L2
 56600M21D00B000 A09J6

FIG. 33

FIG. 33 (F-4) HANDLE COVER

EMARKS

REF. NO.	PART NO.	DESCRIPTION	Q'TY	REMARKS
1	56311M21D00 ^{RUX}	COVER, handle front	1	△ 56311M21E99A
2	56321M21D00	COVER, handle rear	1	△ 56321M21E99A
3	02142-05123	SCREW, FR/RR	2	
4	03511-04163	SCREW, side	2	
5	03511-05163	SCREW, upper	2	



4

FIG. 34

4

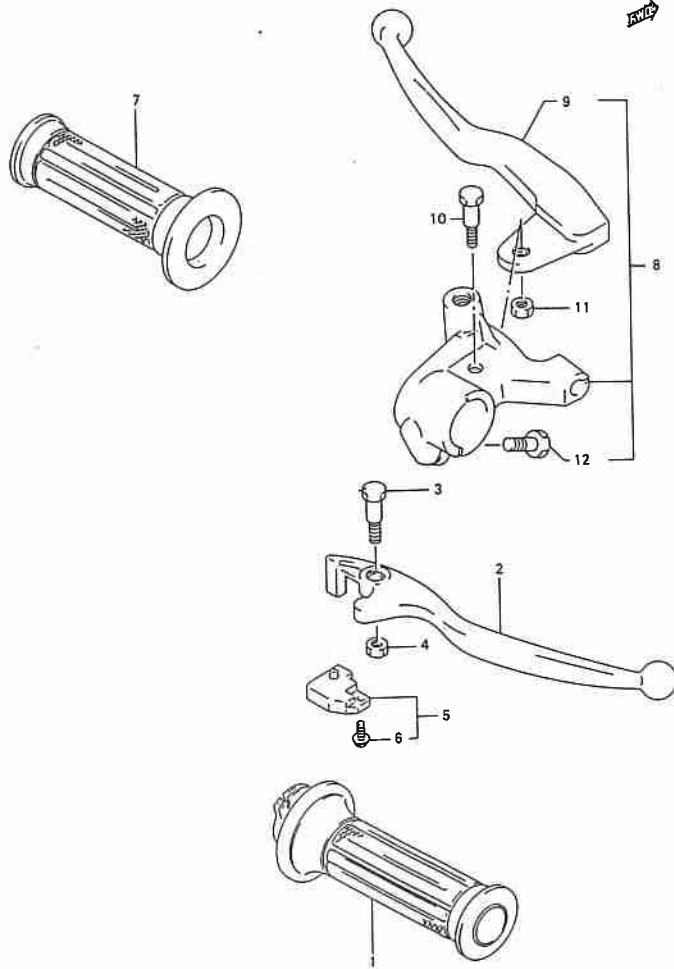


FIG. 34 (F-5) HANDLE LEVER

REF. NO.	PART NO.	DESCRIPTION	Q'TY	REMARKS
1	57110M35500	GRIP, throttle	1	
2	57421M21D10	LEVER, brake	1	
3	57431-21D00	BOLT, lever	1	
4	08319-21065	NUT	1	
5	57460-17C00	SWITCH ASSY, stop	1	
6	57465-17C00	.SCREW	1	
7	57211M34310	GRIP, LH	1	
8	57500M21D11	LEVER ASSY, clutch	1	
9	57621M21D10	.LEVER	1	
10	57431-45C00	.BOLT	1	
11	08319-21065	.NUT	1	
12	01547-06205	.BOLT	1	

FIG. 35

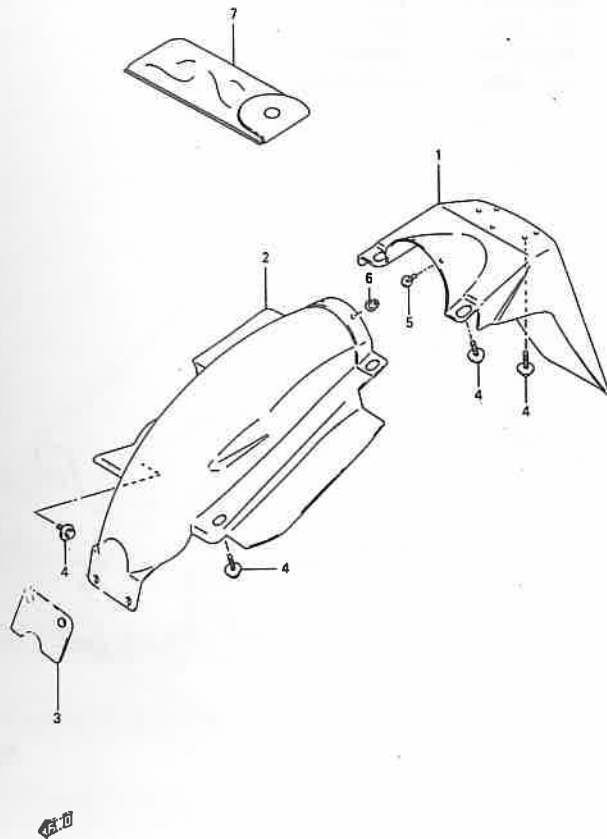
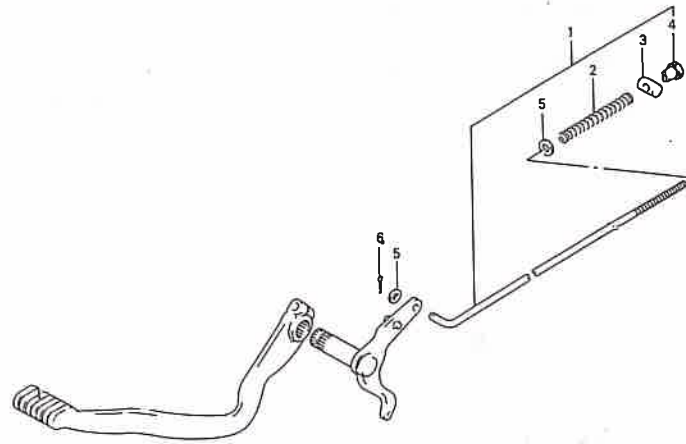


FIG. 35 (F-6) REAR FENDER

REF. NO.	PART NO.	DESCRIPTION	Q'TY	REMARKS
1	63111M21D10	BODY, rear fender rear	1	
2	63112M21D10	BODY, rear fender front	1	
3	63411M21D00	MUD GUARD, rear fender	1	
4	09116-06167	BOLT	6	
5	02142-05123	SCREW	2	
6	08316-10053	NUT	2	
7	09800-21026	TOOL ASSY	1	
8	99011-21D54-08A	MANUAL, owner's	1	Drawing not shown

4

FIG. 36



4

FIG. 36 (F-7) REAR BRAKE ROD

REF. NO.	PART NO.	DESCRIPTION	Q'TY	REMARKS
1	43300-21D10	ROD ASSY, rear brake	1	
2	09440-09035	.SPRING	1	
3	09209-11022	.PIN	1	
4	09150-06014	.NUT	1	
5	08322-01063	.WASHER	2	
6	04111-20208	.COTTER PIN	1	

FIG. 37

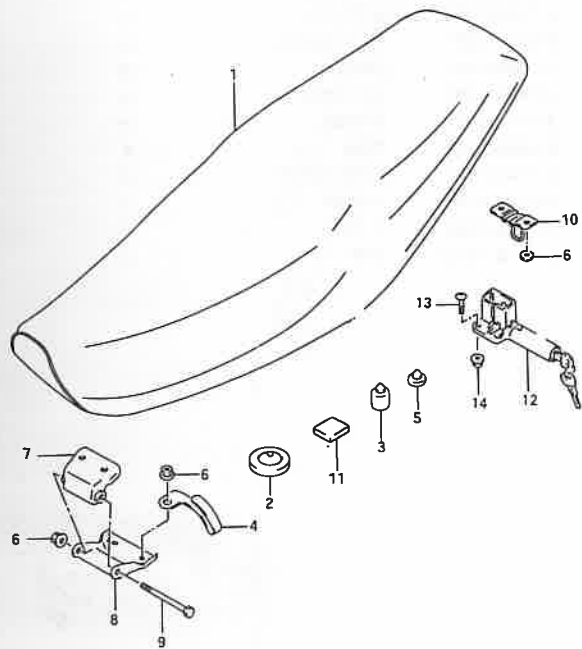


FIG. 37 (F-8) SEAT

REF. NO	PART NO.	DESCRIPTION	QTY	REMARKS
1	45100M21D10	SEAT ASSY	1	
2	09321-14005	.CUSHION	2	
3	45149M35410	.CUSHION, rear	4	
4	45283M21D10	.HOLDER, helmet	1	
5	09321-10012	.CUSHION	3	
6	08316-20063	.NUT	5	
7	45210M21D10	.BRACKET, seat support, front	1	
8	45280M21D10	.BRACKET, seat support, lower	1	
9	09111-06001	.BOLT	1	
10	45210M-21D00	.STRIKER, seat lock	1	
11	45181M21D10	.CUSHION, tool	1	
12	45700-21D01	LOCK, seat	1	△ 45700-21820
13	02112-06203	SCREW	2	
14	08316-20063	NUT	2	

13 45160m 21D00 - our Seat Cover RGV/RGV

4

FIG. 38

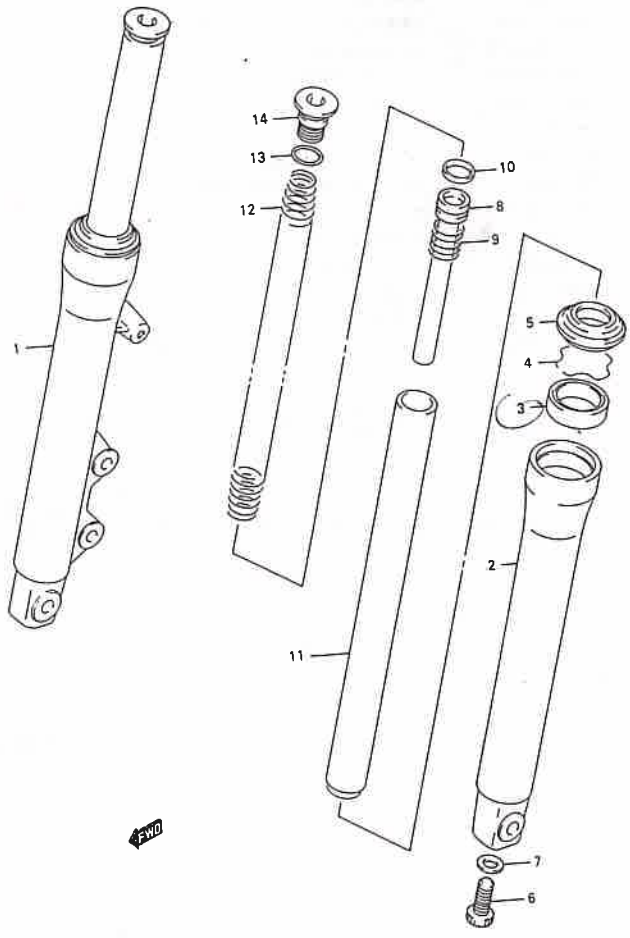


FIG. 38 (G-2) FRONT DAMPER

REF. NO.	PART NO.	DESCRIPTION	QTY	REMARKS
1	51103M21D11	DAMPER ASSY, front fork RH	1	
2	51104M21D11	DAMPER ASSY, front fork LH	1	
3	51130M21D11	.TUBE, outer RH	1	
4	51140M21D11	.TUBE, outer LH	1	
5	51153M39140	.OIL SEAL	2	
6	51156M39140	.RING, snap	2	
7	51173M21D00	.DUST SEAL	2	
8	51147M16510	.BOLT, cylinder	2	
9	51148M41310	.GASKET	2	
10	51146M21D00	.CYLINDER	2	
11	51177M35400	.SPRING	2	
12	51196M-39140	.RING	2	
13	51110M-21D10	.TUBE, INNER	2	
14	51171M-21D10	.SPRING	2	
15	51181M-37B00	.O. RING	2	
16	51351M-21D10	.CAP	2	

FIG. 39

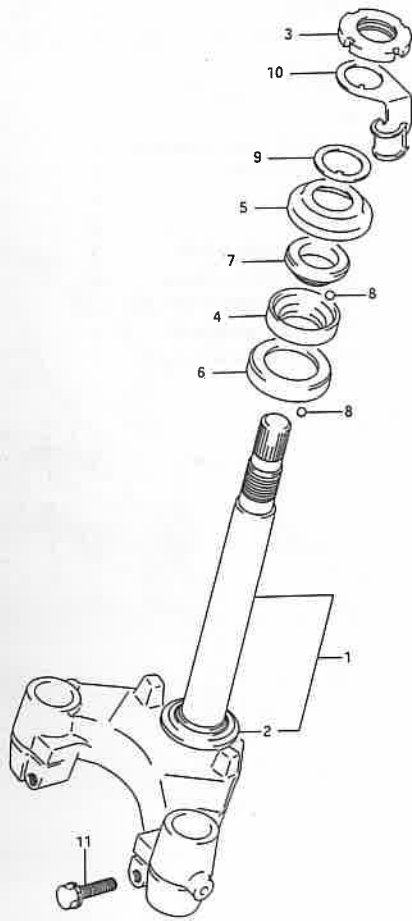
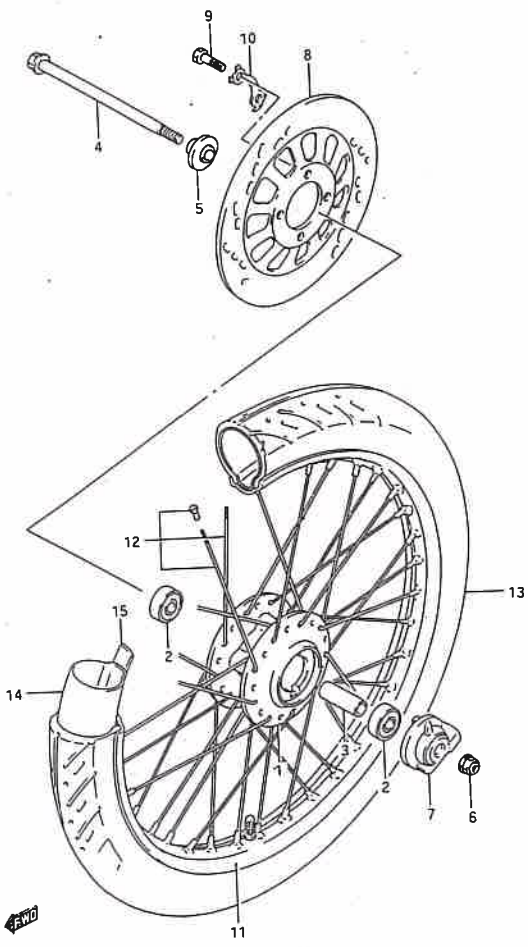


FIG. 39 (G-3) STEERING STEM

REF. NO.	PART NO.	DESCRIPTION	Q'TY	REMARKS
1	51410-21D11	STEM, steering	1	MZ1DH
2	51622-35400	.RACE	1	
3	51631-05000	NUT, steering stem	1	
4	51611-20002	RACE, inner upper	1	
5	51643-06001	DUST SEAL, upper	1	
6	51612-35400	RACE, inner lower	1	
7	51621-25000	RACE, outer upper	1	
8	06111-06003	BALL, steering steel	49	
9	09166-24001	WASHER	1	
10	59251M-21D10	CLAMP, hose	1	
11	01570-08307	BOLT, stem	2	

4

FIG. 40



4

FIG. 40 (G-4) FRONT WHEEL

REF. NO.	PART NO.	DESCRIPTION	QTY	REMARKS
1	54111M46100	HUB, front wheel	1	
2	08123-63007	BEARING	2	
3	09180-10148	SPACER, front hub (10.2x16x51)	1	
4	54711-13601	AXLE, front	1	
5	54750-46100	SPACER, front axle RH	1	
6	08319-31107	NUT	1	
7	54600-21D00	BOX, ASSY, speedometer gear	1	
8	59211-21D50	DISC, front brake	1	
9	09100-08094	BOLT (8x30)	4	
10	09169-08019	WASHER	2	
11	55311M46100	RIM, front wheel (17x40)	1	
12	55320M46100	SPORK ASSY, front wheel	1	
13	55110M38D00	TIRE, front (70/90-17 38P) IRC	1	
14	55200M-01011	TUBE ASSY, wheel inner	1	
15	55261-01010	PROTECTOR, wheel inner	1	

FIG. 41

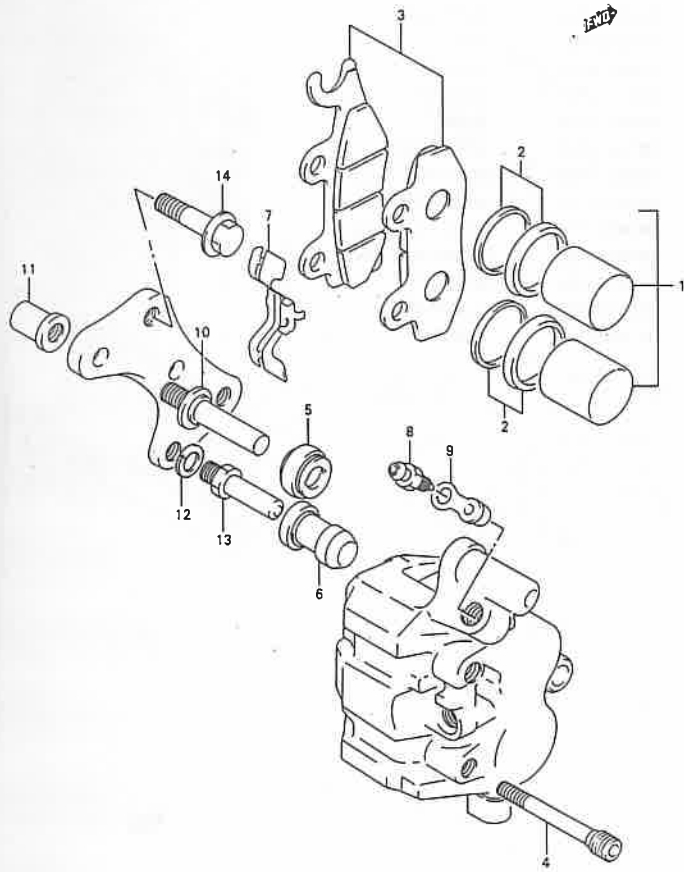
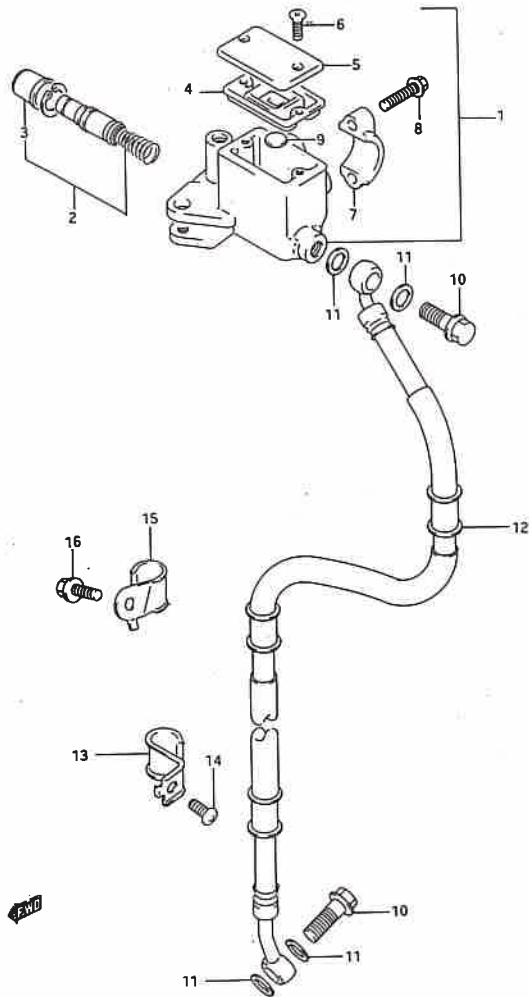


FIG. 41 (G-5) FRONT CALIPER

REF. NO.	PART NO.	DESCRIPTION	Q'TY	REMARKS
	59100-21D21	CALIPERS ASSY, front	1	
1	69100-31810	.PISTON SET	1	
2	59300-13820	..SEAL SET, piston	1	
3	59100M21850	.PAD SET	1	
4	59345-14600	.PIN	2	
5	59303-14500	.BOOT	1	
6	59386-13A00	.BOOT	1	
7	69115-31D10	.SPRING	1	
8	59121-01A00	.BLEEDER	1	
9	59122-01A00	.CAP, bleeder	1	
10	59387-00B20	.PIN	1	
11	59388-00B20	.NUT		
12	59314-13A00	.WASHER		
13	59382-13A00	.BOLT		
14	09103-08107	BOLT		

4

FIG. 42



4

FIG. 42 (G-6) FRONT MASTER CYLINDER

REF. NO.	PART NO.	DESCRIPTION	QTY	REMARKS
1	59600-21D10	CYLINDER ASSY, front master	1	
2	59600-21B10	.PISTON & CUP SET	1	
3	59666-44300	..BOOT	1	
4	59667-44B00	.DIAPHRAGM	1	
5	69669-24A01	.CAP	1	
6	69689-49300	.SCREW	2	
7	59671-36500	.HOLDER	1	
8	59675-19C00	.BOLT	2	
9	59748-14500	.SEPARATOR	1	
10	09360-10042	BOLT (10x1.25x22)	2	
11	09161-10009	WASHER (10x15x1.5)	4	
12	59480-21D10	HOSE, front brake	1	
13	59246M21D00	CLAMP, hose lower	1	
14	01550-06123	BOLT	1	
15	59241M21D10	CLAMP, hose	1	
16	02142-06123	SCREW	1	

FIG. 43

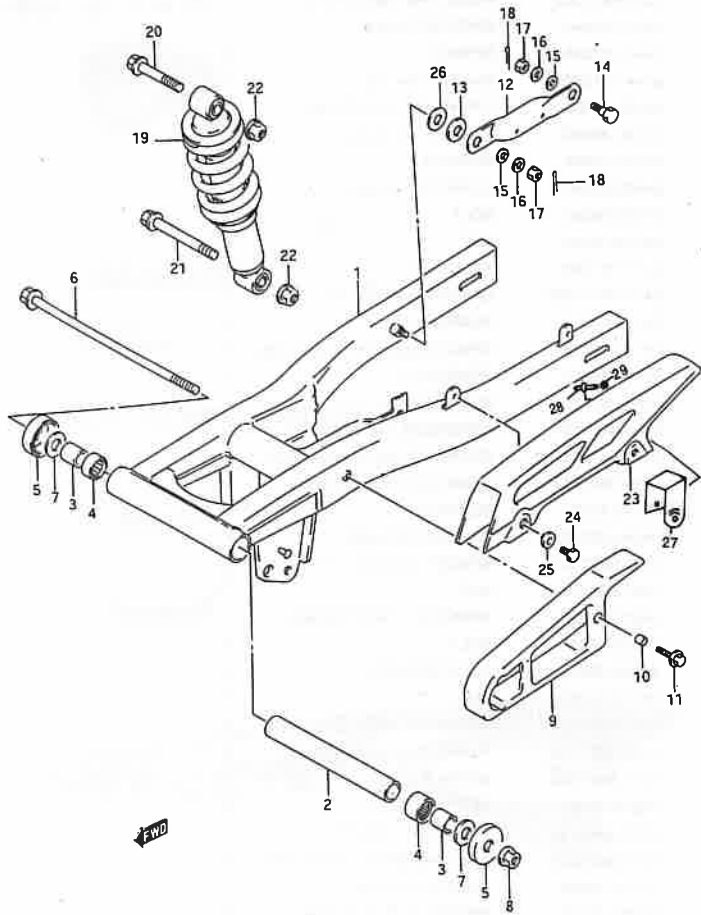
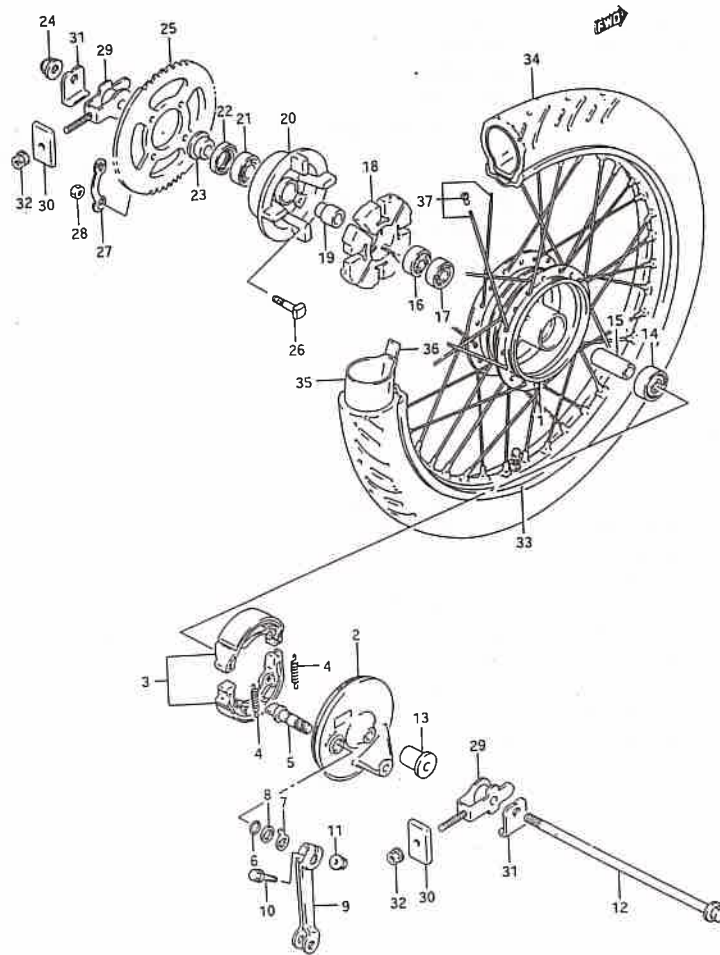


FIG. 43 (G-7) REAR SWINGING ARM

REF. NO.	PART NO.	DESCRIPTION	Q'TY	REMARKS
1	61100M21D21	SWINGING ARM, rear	1	
2	61282-21D01	SPACER, center	1	
3	61251-21D01	SPACER	2	
4	09263-170 27	BEARING (17x24x20)	2	
5	61262-21D00	DUST SEAL	2	
6	61211-21D00	SHAFT, rear swinging arm	1	
7	08211-12281	WASHER	2	
8	08319-31128	NUT	1	
9	61273M21D00	BUFFER, chain touch defense	1	
10	09180-06255	SPACER (6.5x9x3.80)	1	
11	09116-06111	BOLT (6x20)	1	
12	64311M21D20	TORQUE LINK, rear	1	
13	64322-09401	CUSHION, torque link	1	
14	09111-08013	BOLT (8x26.5)	1	
15	08322-01083	WASHER	2	
16	09162-08008	WASHER	2	
17	09140-08008	NUT	2	
18	04111-20208	PIN, cotter	2	
19	62100M21D20	ABSORBER ASSY, rear shock	1	
20	09103-10141	BOLT, upper (10x124) 125	1	
21	09103-10083	BOLT, lower (10x85)	1	
22	08319-31105	NUT	2	
23	61311M-21D00	CASE, chain	1	
24	01517-09105	BOLT (6x10)	2	
25	09169-06401	WASHER	2	
26	09160-10078	WASHER, front outer	1	
27	61311M21D99A	REINF, chain case	1	
28	09229M21D99A	RIVET, reinf, chain case	1	
29	08322M0103B	WASHER, reinf, chain case	1	

4

FIG. 44



4

FIG. 44 (G-8) REAR WHEEL

REF. NO.	PART NO.	DESCRIPTION	Q'TY	REMARKS
1	64110M-35301	DRUM, rear hub	1	Δ 64110M 35300-SIL
2	64210M21D00	PANEL, rear brake anchor	1	Δ 64210M 46005-SIL
3	54401-35840	SHOE SET, brake	1	
4	09443-07025	SPRING	2	
5	64441-21D00	SHAFT, brake cam	1	
6	09280-14003	O RING (ID: 13.8, D:2.40)	1	
7	54492-35400	PLATE, brake lining	1	
8	09160-14003	WASHER	1	
9	64451-21D01	LEVER, brake cam	1	
10	01550-06353	BOLT	1	
11	08316-10063	NUT	1	
12	64711-21D00	AXLE, rear	1	
13	64731M-21D00	SPACER, rear axle, RH	1	
14	08143-63017	BEARING, RH	1	
15	09180-12143	SPACER, bearing (12.5x19x48)	1	
16	08143-62017	BEARING, LH	1	
17	08113-62017	BEARING, inner LH	1	
18	64651M010B1	ABSORBER, rear hub shock	1	
19	64733-43000	RETAINER, rear sprocket drum	1	
20	64611M26500	DRUM, sprocket mounting	1	
21	08113-62037	BEARING	1	
22	09285-25003	OIL SEAL (25x40x6)	1	
23	64741M21D00	SPACER, rear axle, LH	1	
24	08319-31128	NUT	1	
25	64511-21D20	SPROCKET, REAR (NT:42)	1	
26	09105-08011	BOLT	4	
27	09169-08011	LOCK WASHER	2	
28	08310-00083	NUT	4	
29	61410-21D00	ADJUSTER, chain	2	
30	61421M21D00	PLATE, chain adjuster guide	2	
31	64712M21D00	WASHER	2	
32	08319-31087	NUT	2	
33	65311M46730	RIM, wheel (1.60x17)	1	
34	65110M38D00	TIRE, rear (80/90-17 44P) IRC	1	
35	55200-03600	TUBE ASSY, inner	1	
36	55261-01010	PROTECTOR, inner tube	1	
37	65320M03021	SPOKE SET, rear wheel	1	

FIG. 45

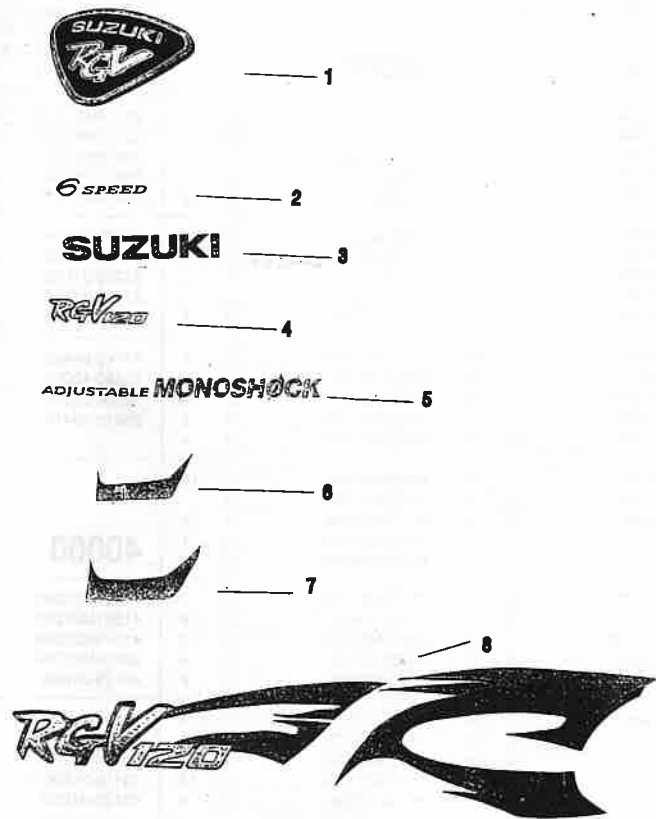


FIG. 45 - STICKER

REF. NO.	PART NO.	DESCRIPTION	QTY	REMARKS
1	68190M21E99A ✓	EMBLEM FRAME HEAD	1	
2	68132M21E97A	TAPE, 6 speed	2	
3	68131M21E98 ✓	TAPE SUZUKI	2	
4	68320M21E99A	TAPE, RGV	1	
5	68220M21E99A ✓	TAPE SET, monoshock AJ	1	
6	68151M21E99A	TAPE SET, legshield, upper (L/R)	1	
7	68152M21E98A ✓	TAPE SET, legshield, lower (L/R)	1	
8	68133M21E99A	TAPE SET, frame cover (R/L)	1	

4

x = diff for 165x

PART NO.	FIG. NO.	REF. NO.	PART NO.	FIG. NO.	REF. NO.	PART NO.	FIG. NO.	REF. NO.	PART NO.	FIG. NO.	REF. NO.	PART NO.	FIG. NO.	REF. NO.	PART NO.	FIG. NO.	REF. NO.	
10000			13110-21D20		2 - 16	14781M21D070		7 - 13	24341-21D00		10 - 17	30000			35632M21DM0		18 - 2	
			13150-21D00		2 - 18	16100-21D11		8 - 4	24351-21D00		10 - 18				35652M21DM0		21E99	19 - 3
			13152-35400		2 - 19	16192M38D00		8 - 18	24361-21D10		10 - 19				35710M21DM0		21E99A	19 - 1
			13153-31C01		2 - 20	16292-03112		8 - 5	24741-21D00		10 - 10				35712M21DM0		21E99	19 - 2
			13154-35400		2 - 21	16391-05031		8 - 7	25210-21D00		11 - 1				35715M21D10			19 - 4
11111M21D71	1	- 1	13200-21DA0		5	16731-03101		8 - 6	25220-21D00		11 - 2	32101-21D10		13 - 1	35718M21D10		19 - 5	
11141M21D70	1	- 2	13247-13A00		5 - 21	16810-21D00		8 - 14	25230-21D00		11 - 3	32102-21D10		13 - 2	35730M21D00		19 - 13	
11151M21D00	1	- 11	13250-04700		5 - 2	16816-21D00		8 - 12	25310-21D10		11 - 6	32372-21D00		13 - 5	35912M21D10		19 - 6	
11210M21D71-0F0	1	- 3	13251-23010		5 - 1	16820-21D02		8 - 10	25341-21D01		11 - 14	32800-36C30		15 - 1	35927-36510		19 - 16	
11241M38D01	1	- 7	13254-01010		5 - 8	16910-09401		2 - 8	25350-21D00		11 - 16	32900-21D10		15 - 8	36610M21D70		20 - 1	
11252M25000	1	- 12	13261-17400		5 - 28	16910-21D00		3 - 17	25380-21D10		11 - 11	32980M30D10		15 - 9	37100-31C01		20 - 4	
11271M38D00	1	- 4	13267-01010		5 - 18	17110M31C00		3 - 17	25384-21D00		11 - 12	33410-22A00		15 - 3	37155-31C00		20 - 5	
11300M21D41	2	- 1	13268-01010		5 - 25	17131M21D01		3 - 19	25385-21D00		11 - 8	33510-35411		15 - 5	37200-21D30		21 - 1	
11341M21D51	3	- 1	13268-48700		5 - 17	17133M35412		3 - 22	25411-21D01		11 - 5	33541-69010		15 - 6	37400-21D10		21 - 3	
11351M21D01	3	- 9	13269-95110		5 - 27				25501-21D10		11 - 23	33542-38B00		15 - 7	37720-21D50		11 - 31	
11361M21D01	3	- 15	13332-44080		5 - 4	20000			25510-21D12		11 - 20	33610M31C10		14 - 1	37740-04A10		20 - 7	
11385M21D00	8	- 1	13370-21DA0		5 - 9					25516-21D10		11 - 21	33652-20C00		29 - 7	37880-40D01		27 - 3
11389M21D00	3	- 10	13383-21DA0		5 - 6					25600M21D10		11 - 29	33652-35400		29 - 6	38500-21D11		20 - 9
11482M21D00	3	- 2	13392-01010		5 - 10					25652-20C00		11 - 30	33652M41D00		14 - 2	38610-09410		18 - 6
11483M21D00	3	- 14	13394-10010		5 - 7					25652-49300		23 - 13	33681M21D00		14 - 4			
11611-21D01	2	- 10	13411-01010		5 - 24	21111-21D10		9 - 1	25671-36A00		11 - 26	33860M21D00		15 - 10	40000			
12105-21811	4	- 18	13417-01010		5 - 23	21114-21D00		9 - 29	26211-21D01		12 - 1	34100M21D40		16				
12110M21D71-0F0	4	- 1	13418-03110		5 - 22	21200-21D30		9 - 2	26221-21D00		12 - 3	34111M21D40		16 - 3				
12110M21D71-025	4	- 1	13551-23400		5 - 14	21251-21D10		9 - 11	26231-21D01		12 - 2	34120M21D40		16 - 1				
12110M21D71-050	4	- 1	13573-36110		5 - 16	21411-21D30		9 - 4	26232-21D00		12 - 11	34150M39C00		16 - 2				
12110M21D71-075	4	- 1	13577-22600		5 - 19	21441-21D11		9 - 7	26233-35410		12 - 12	34173M21D70		16 - 7	41100M21D60		22 - 1	
12110M21D71-100	4	- 1	13581-09210		5 - 15	21451-22000		9 - 8	26241-21D00		12 - 5	34383-09400		16 - 9	41561M21D10		28 - 5	
12140-19D10	4	- 2	13601-04148		5 - 13	21462-21D30		9 - 18	26300M21D30		12 - 14	34810M21D02		25 - 3	41579M21D10		28 - 6	
12140-19D10-025	4	- 2	13661-16600		5 - 20	23165-21D10		9 - 16	26352-01000		12 - 15	34825-02100		25 - 4	42100M21D10		23 - 1	
12140-19D10-050	4	- 2	13700M21D10		6 - 1	23261-13A01		9 - 21	27511-46000		10 - 27	34910M21D11		16 - 4	42129-21D00		23 - 3	
12140-19D10-075	4	- 2	13740M21D00		6 - 2	23271-28B00		9 - 24	27600-20910-126		10 - 29	34938-21D01		16 - 5	42191-21D00		23 - 7	
12140-19D10-100	4	- 2	13780M21D00		6 - 5	24121-21D11		10 - 1	27620-20910		10 - 30	35120-31C00		17 - 1	42211-03001		23 - 2	
12151-36A00	4	- 3	13791M21D00		6 - 6	24131-21D00		10 - 13	27620-40220 X		10 - 30	35124M21DM0		17 - 4	42310-21D10		23 - 8	
12161-21D00	4	- 10	13872-00A00-010		6 - 10	24221-21D01		10 - 2				35125M21DM0		17 - 13	43110-21D20 M		23 - 12	
12200-21D80-0A0	4	- 6	13881M21D10		6 - 7	24230-38D00		10 - 4				35128-37B00		17 - 6	43120-21D10		23 - 14	
12211-35401-0E0	4	- 12	13891-21D00		6 - 3	24241-21D00		10 - 6				35152-45600		17 - 8	43300-21D10		36 - 1	
12221-21D80	4	- 7	14181M35410		7 - 1	24251-21D11		10 - 8				35154-49200		17 - 7	43510-21D20		24 - 1	
12261-21D70-0A0	4	- 8	14301M21D40		7 - 3	24310-21D00		10 - 14				35171-37B00		17 - 2	43550-21D10		24 - 2	
12359-21D00	4	- 13	14510M21D21A		7 - 4	24321-21D02		10 - 15				35612M21DM0		18 - 1	43551-39110		24 - 3	
12656-21D70	9	- 12	14780M21D00A		7 - 11	24331-21D00		10 - 16				35618-37B00		18 - 5	43580-21D10		24 - 5	

5

PART NO
43591-
43600-
43610-
43612-
43631-
43700-
43710-
43810M
43820M
44110M
44210-
44281-
44300-
44421-
44542-
44611-
44643-
44651-
44667-
45100M
45149-
45181-
45210-
45210-
45280-
45283-
45700-
46210-
46210-
47111-
47131-
47211-
47231-
47311-
47341-
48111-
48121-
48131-
48161-
48171-

EF. NO.
 2
 3
 1
 4
 5
 13
 6
 16
 1
 4
 5
 1
 3
 7
 3
 9
 6
 1
 5
 6
 1
 3
 7
 2
 8
 12
 14
 1
 1
 2
 3
 5

PART NO.	FIG. NO.	REF. NO.	PART NO.	FIG. NO.	REF. NO.	PART NO.	FIG. NO.	REF. NO.
43591-21D10	24	- 6	48180-21D00	30	- 15	53124-35400	31	- 7
43600-21D00	24	- 8	48198-21D00	305	- 8	54111M46100	40	- 1
43610-34A00 M	24	- 10	48221-21D90	29	- 15	54401-35840	44	- 3
43612-21D00	24	- 12	48272M21D00	30	- 17	54492-35400	44	- 7
43631-34A01	24	- 13				54600-21D00	40	- 7
43700-21D00	24	- 9				54711-13601	40	- 4
43710-34A00 M	24	- 11				54750-46100	40	- 5
43810M21D10-126	24	- 17				55110M38D00	40	- 13
43820M21D10-126	24	- 18				55200M01011	40	- 14
44110M21D10	25	- 1	50000			55200-03600	44	- 35
44210-24D10	25	- 2	51103M21D11	38		55261-01010	40	- 15
44281-29C00	27	- 8	51104M21D11	38		55311M46100	40	- 11
44300-21D00	26	- 1	51110M21D10	38	- 11	55320M46100	40	- 12
44421-21D00	26	- 2	51130M21D11	38	- 1	56110M21D20	32	- 1
44542-21D00	25	- 6	51140M21D11	38	- 2			
44611M21D10	27	- 1	51146M21D00	38	- 8	56272-21D10	32	- 9
44643-31000	27	- 4	51147M16510	38	- 6	56272-21D00	32	- 11
44651-04701	27	- 2	51148M41310	38	- 7	56272-44500	32	- 11
44667-12900	27	- 5	51153M39140	38	- 3	56274-21D10	32	- 8
45100M21D10	37	- 1	51156M39140	38	- 4	56275-34401	32	- 10
45149M35410	37	- 3	51171M21D10	38	- 12	56276-17D00	32	- 10
45181M21D10	37	- 11	51173M21D00	38	- 5	56311M21D99-21E99A	33	- 1
45210M21D00	37	- 10	51177M35400	38	- 9	56321M21D99-21E99A	33	- 2
45210M21D10	37	- 7	51181M37B00	38	- 13	56500M21D00	32	- 13
45280M21D10	37	- 8	51196M39140	38	- 10	56600M21D00	32	- 14
45283M21D10	37	- 4	51351M21D10	38	- 14	57110M35500	34	- 1
45700-21D01	37	- 12	51358-35420	32	- 5	57211M34310	34	- 7
46210M21D10A	22	- 2	51359-35410	32	- 6	57421M21D10	34	- 2
46210M31C99A	22	- 3	51410-21D11 M	39	- 1	57431-21D00	34	- 3
47111M21D90	29	- 1	51611-20002	39	- 4	57431-45C00	34	- 10
47131M21D90	29	- 3	51612-35400	39	- 6	57460-17C00	34	- 5
47211M21D90	29	- 2	51621-25000	39	- 7	57465-17C00	34	- 6
47231M21D90	29	- 4	51622-35400	39	- 2	57500M21D11	34	- 8
47311M21D10	29	- 5	51631-05000	39	- 3	57621M21D10	34	- 9
47341M21D10	28	- 1	51643-06001	39	- 5	58200M21D10	32	- 22
48111M21D10	30	- 1	51860M21D90	31	- 2	58300M21D30	32	- 15
48121M21D10	30	- 2	51871M21D90-21E99A	31	- 1	58333-35400	32	- 17
48131M21D10	30	- 4	51881M21D90	31	- 9	58321-21D00	32	- 21
48161M21D90A	30	- 6	51882M21D90	31	- 10	58410M21D30	32	- 20
48171M21D90A	30	- 7	53111M21D90	31	- 4	58621-21203	31	- 8

PART NO.	FIG. NO.	REF. NO.	PART NO.	FIG. NO.	REF. NO.	PART NO.	FIG. NO.	REF. NO.
59100-21D21	41		62100M21D20	43	- 19			
59100M21850	41	- 3	63111M21D10	35	- 1			
59121-01A00	41	- 8	63112M21D10	35	- 2			
59122-01A00	41	- 9	63411M21D00	35	- 3			
59211-21D50	40	- 8	64110M35301	44	- 1	90000		
59241M21D10	42	- 15	64210M21D00	44	- 2	99011-21D54-08A	35	- 8
59246M21D00	42	- 13	64311M21D20	43	- 12			
59251M21D10	39	- 10	64322-09401	43	- 13			
59300-13820	41	- 2	64441-21D00	44	- 5			
59303-14500	41	- 5	64451-21D01	44	- 9			
59314-1300	41	- 12	64511-21D20	44	- 25			
59345-14600	41	- 4	64611M26500	44	- 20			
59382-13A00	41	- 13	64651M010B1	44	- 18			
59386-13A00	41	- 6	64711-21D00	44	- 12	00000		
59387-00B20	41	- 10	64712M21D00	44	- 31			
59388-00B20	41	- 11	64731M-21D00	44	- 13	01500-06123	12	- 13
59480-21D10	42	- 12	64733-43000	44	- 19	01500-06163	19	- 14
59600-21D10	42	- 1	64741M21D00	44	- 23			
59600-21810	42	- 2	65110M38D00	44	- 34			
59666-44300	42	- 3	65311M46730	44	- 33	01500-06203	11	- 28
59667-44B00	42	- 4	55320M03021	44	- 37	01500-06253	9	- 25
59671-36500	42	- 7	68131M21E98	45	- 3			
59675-19C00	42	- 8	68132M21E97A	45	- 2			
59748-14500	42	- 9	68133M21E99A	45	- 8			
			68151M21E99A	45	- 6	01517-09105	43	- 24
			68152M21E98A	45	- 7	01547-06205	34	- 12
			68190M21E99A	45	- 1	01550-06123	31	- 3
			68220M21E99A	45	- 5			
			68230M21E99A	45	- 4	01550-06163	20	- 6
			69100-31810	41	- 1			
60000								
61100M-21D21	43	- 1	69115-31D10	41	- 7	01550-06353	44	- 10
61211-21D00	43	- 6	69669-24A01	42	- 5	01550-10203	22	- 4
61251-21D01	43	- 3	69689-49300	42	- 6	01570-06123	30	- 16
61262-21D00	43	- 5				01570-08307	39	- 11
61273M21D00	43	- 9				02112-05103	8	- 3
61282-21D01	43	- 2				02112-05123	17	- 9
61311M21D00	43	- 23						
6134M21D99A	43	- 27				02112-05305	21	- 2
61410-21D00	44	- 29						
61421M21D00	44	- 30				02112-06123	8	- 13

5

5

PART NO.	FIG. NO. REF. NO.	PART NO.	FIG. NO. REF. NO.	PART NO.	FIG. NO. REF. NO.	PART NO.	FIG. NO. REF. NO.	PART NO.	FIG. NO. REF. NO.	PART NO.	FIG. NO. REF. NO.	PART NO.	FIG. NO. REF. NO.	PART NO.	FIG. NO. REF. NO.
	10 - 11	03241-14103	6 - 4	08316-10103	13 - 3	09108-08114	1 - 9	09160-14042	12 - 9	09181-25060	4 - 17				
	11 - 15	03511-04163	18 - 3	08316-20063	37 - 6	09111-06001	37 - 9	09160-14003	44 - 8	09181-25061	4 - 17				
02112-06163	15 - 2		33 - 4		37 - 14	09111-06041	11 - 17	09160-20010	4 - 9	09181-25062	4 - 17				
02112-06203	37 - 13	03511-04203	19 - 7	08319-21065	34 - 4	09111-08013	43 - 14	09161-09006	3 - 12	09181-25063	4 - 17				
02112-06253	3 - 4	03511-05163	33 - 5		34 - 11	09116-05003	9 - 20	09161-10009	42 - 11	09181-25179	4 - 17				
02112-06303	3 - 21	03541-04123	30 - 19	08319-21106	23 - 4	09116-06111	43 - 11	09162-08008	43 - 16	09181-25181	4 - 17				
02112-06353	1 - 5	03541-04203	30 - 5	08319-31087	2 - 12	09116-06167	35 - 4	09164-16005	9 - 14	09200-06004	9 - 27				
02112-06403	2 - 3	03541-05123	19 - 10		44 - 32	09118-06106	3 - 18	09166-24001	39 - 9		32 - 23				
	3 - 16	03541-05163	16 - 10	08319-31105	43 - 22	09125-04501	17 - 5	09167-17002	9 - 5	09200-06057	24 - 14				
02112-06453	3 - 5	04111-20158	9 - 28	08319-3107	40 - 6	09127-06021	32 - 7	09167-17003	10 - 22	09200-20810	3 - 8				
02112-06503	2 - 4		32 - 24	08319-31128	43 - 8	09128-06035	26 - 3	09168-06004	3 - 6	09209-05011	11 - 34				
02112-06603	2 - 5	04111-20208	36 - 6		44 - 24	09128-06044	3 - 7	09168-06026	26 - 4	09209-11002	36 - 3				
02112-06653	2 - 6		43 - 18	08321-01057	17 - 10	09128-06049	28 - 8	09168-14002	2 - 14	09223-04001	11 - 18				
02112-16123	16 - 6	04111-25158	24 - 15	08321-01123	32 - 3	09132-04026	17 - 12	09169-06033	28 - 3	09229-21099A	43 - 28				
02112-16123	20 - 10	04211-11189	1 - 6	08322-01038	43 - 29	09136-06009	30 - 10		29 - 13	09247-14025	2 - 13				
02112-16163	6 - 12	04211-13189	2 - 2	08322-01057	17 - 11	09136-06017	30 - 18	09169-06041	43 - 25	09250-12009	8 - 2				
02112-16253	3 - 11		3 - 3	08322-01063	24 - 16	09136-06113	30 - 9	09169-06059	27 - 6	09262-17023	10 - 26				
02112-35123	25 - 5	04221-04089	11 - 7		28 - 7	09137-05009	7 - 5		30 - 14	09262-25070-0A0	4 - 14				
02112-35163	8 - 8	06111-06003	39 - 8		36 - 5	09137-08007	7 - 2	09169-06060	31 - 6	09263-10002	9 - 17				
02112-35303	8 - 9	07120-08357	7 - 7	08322-01083	43 - 15	09139-06071	3 - 20	09169-08011	44 - 27	09263-13001	10 - 12				
02112-36083	7 - 12		7 - 8	08322-01087	7 - 9	09140-08008	43 - 17	09169-08019	40 - 10		10 - 24				
02112-36253	2 - 22	08110-62030	10 - 9	08322-01123	32 - 4	09140-10043	23 - 11	09180-06086	11 - 4	09263-14030	4 - 5				
02112-74103	16 - 11	08113-62017	44 - 17	08331-31146	11 - 27	09140-16005	9 - 6	09180-06092	31 - 12	09263-17011	43 - 4				
02142-05083	3 - 23	08113-62037	44 - 21		12 - 10		9 - 15	09180-06255	43 - 10	09263-20052	4 - 11				
02142-05103	6 - 9	08113-69050	11 - 9	08331-31166	10 - 28	09148-04024	30 - 3	09180-06263	30 - 11	09280-14003	44 - 6				
02142-05123	11 - 32	08123-63007	40 - 2	08341-31039	13 - 4	09148-05004	19 - 12	09180-06266	3 - 13	09280-22016	7 - 6				
	13 - 6	08143-62017	44 - 16	09100-08094	40 - 9		29 - 8	09180-06293	25 - 8	09280-26003	11 - 33				
	33 - 3	08143-63017	44 - 14	0910-10287	23 - 10		29 - 9	09180-10148	40 - 3	09283-17014	10 - 25				
	35 - 5	08211-12281	43 - 7	09100-12061	32 - 2	09150-06014	36 - 4	09180-12143	44 - 15	09283-25066	4 - 15				
02142-05163	29 - 11	08211-14321	12 - 8	09103-08107	41 - 14	09159-06024	32 - 12	09180-17100	9 - 9	09285-10004	9 - 23				
02142-06123	19 - 17	08211-17282	9 - 3	09103-08109	2 - 9	09159-08041	1 - 10	09180-25097	11 - 10	09285-12002	11 - 22				
	28 - 2		9 - 10	09103-08222	24 - 21	09160-06004	25 - 7	09181-25051	4 - 17	09285-14001	12 - 7				
	29 - 12	08310-00063	19 - 19	09103-08278	2 - 11	09160-06093	19 - 15	09181-25052	4 - 17	09285-25003	44 - 22				
	30 - 13		25 - 10	09103-08505	24 - 4		19 - 18	09181-25053	4 - 17	09287-07002	32 - 18				
	42 - 16	08310-00083	8 - 19	09103-10083	43 - 21	09160-1005	23 - 5	09181-25054	4 - 17	09289-32003	4 - 16				
02142-06163	15 - 4		44 - 28	09103-10141	43 - 20	09160-10078	43 - 26	09181-25055	4 - 17	09319-08028	24 - 20				
	28 - 4	08316-10053	35 - 6	09105-08011	44 - 26	09160-12501	9 - 22	09181-25056	4 - 17	09320-09026	30 - 12				
	29 - 14	08316-10063	9 - 26	09106-08128	24 - 7	09160-13006	10 - 3	09181-25057	4 - 17	09320-10022	25 - 9				
02142-06167	31 - 11		44 - 11		24 - 19		10 - 23	09181-25058	4 - 17	09321-10001	23 - 6				
03241-05163	29 - 10	08316-10083	7 - 10	09108-08113	1 - 8	09160-13012	10 - 5	09181-25059	4 - 17	09321-10012	37 - 5				

REF. NO.	PART NO.	FIG. NO. REF. NO.	PART NO.	FIG. NO. REF. NO.	PART NO.	FIG. NO. REF. NO.	PART NO.	FIG. NO. REF. NO.	PART NO.	FIG. NO. REF. NO.
4 - 17	09321-14005	37 - 2	09443-07042	11 - 19						
4 - 17	09351-30503-600	5 - 12	09443-14022	23 - 9						
4 - 17		5 - 26	09442-14025	23 - 15						
4 - 17	09352-20503-600	8 - 20	09444-23002	11 - 25						
4 - 17		8 - 21	09448-40007	12 - 4						
4 - 17	09352-42703-600	2 - 15	09471-12013	17 - 3						
9 - 27	09352-45853-00B	19 - 11	09471M12D99A	18 - 4						
12 - 23	09352-50823-440	26 - 5		19 - 8						
14 - 14	09352-50823-600	14 - 3	09471-12028	16 - 8						
3 - 8	09360-10042	42 - 10	09471-12077	16 - 12						
1 - 34	09367-03001	8 - 22	09471-12119	19 - 9						
16 - 3	09380-17007	10 - 7	09482-00175	1 - 13						
1 - 18	09380-17010	10 - 20	09482-00176	1 - 13						
13 - 28		10 - 21	09491-90007	5 - 3						
2 - 13	09381-14001	4 - 4	09492-17006	5 - 11						
8 - 2	09401-04401	8 - 11	09494-00543	5 - 5						
0 - 26	09401-08401	8 - 16	09800-21026	35 - 7						
4 - 14		26 - 6								
9 - 17	09401-09101	8 - 15								
10 - 12	09401-13409	6 - 11								
10 - 24	09402-36306	2 - 17								
4 - 5	09402-50208	6 - 8								
13 - 4	09404-06429	11 - 36								
4 - 11		13 - 7								
14 - 6		20 - 2								
7 - 6	09407-11401	20 - 3								
11 - 33	09407-14403	20 - 3								
10 - 25	09407-14407	13 - 8								
4 - 15	09407-18403	20 - 3								
9 - 23	09407-19401	32 - 19								
11 - 22	09407-25401	20 - 3								
12 - 7	09421-04004	9 - 13								
14 - 22	09440-04010	11 - 35								
12 - 18	09440-09035	36 - 2								
4 - 16	09440-10022	26 - 7								
24 - 20	09440-15008	9 - 19								
10 - 12	09440-31002	12 - 6								
25 - 9	09443-05020	11 - 24								
23 - 6	09443-06027	20 - 8								
17 - 5	09443-07025	44 - 4								

5