



MODEL CODE UD 110 EE
 YEAR MAY 2012

1-TONE MOTORCYCLE COLOUR NAME & COLOUR CODE

COMBINATION COLOUR CODE			PARTS COLOUR CODE		
			YUH	PZ5	W9E
REF. NO	PART NAME	PART NO	BRILLIANT WHITE	PEARL FRASH GREEN	PEARL SAKURA PINK
0	BODY COVER SET	94400M09J00N	•	•	•
1	COVER FRAME, RH	47111B09J00N	•	•	•
2	COVER FRAME, LH	47211B09J00N	•	•	•
3	SHIELD LEG FRONT	48111B09J00N	•	•	•
4	FENDER FRONT	53111B09J00N	•	•	•
5	COVER HANDLE FRONT	56311B09J00N	•	•	•



BRILLIANT WHITE
(YUH)



PEARL FRASH GREEN
(PZ5)



PEARL SAKURA PINK
(W9E)



MODEL CODE UD 110 EE
YEAR MAY 2012

TAPE SET

REF. NO	PART NAME	PART NO	PARTS COLOUR CODE		
			BRILLIANT WHITE (YUH)	PEARL FRASH GREEN (PZ5)	PEARL SAKURA PINK (W9E)
0	TAPE SET	68000B09J00N	●	●	●
1	TAPE,FRAME COVER,R	68135B09J00N	●	●	●
2	TAPE,FRAME COVER,L	68145B09J00N	●	●	●
3	TAPE,LEG FRONT,R	68645B09J00N	●	●	●
4	TAPE,LEG FRONT,L	68655B09J00N	●	●	●
5	TAPE,LEG FRONT UPPER	68646B09J00N	●	●	●
6-1	EMBLEM,"S" (BRILLIANT WHITE)	68281B13HA0N	●	-	-
6-2	EMBLEM,"S" * (SAKURA PINK)		-	-	●
6-3	EMBLEM,"S" * (FRASH GREEN)		-	●	-

INFORMATION ILLUSTRATION INDEX	1
ENGINE TRANSMISSION	2
ELECTRICAL	3
BODY	4
PARTS NUMBER INDEX	5

PREFACE

When it becomes necessary to replace parts on SUZUKI MOTORCYCLES, always use SUZUKI GENUINE PARTS which have passed a strict inspection which guarantees quality and performance.

This parts catalogue covers the list of all service parts for SUZUKI UD110EEL3.

INSTRUCTIONS FOR QUOTING THE CATALOGUE

1. DIMENSIONS

Dimensions of the parts in this catalogue are indicated in unit millimeters.

2. ABBREVIATIONS

Abbreviations used in this catalogue are as follows:

AR	: As required	NT	: Number of teeth
ASSY	: Assembly	OPT	: Optional
E.NO.	: Engine number	OS	: Over size
F.NO.	: Frame number	STD	: Standard
D	: Diameter of material	T	: Thickness
ID	: Inside diameter	US	: Under size
OD	: Outside diameter	W	: Width

L : Length

LH : Left hand side

RH : Right hand side

~100045 : Up to F.NO.100045

100046~ : From F.NO.100046

12 x 34 x 5.6..... Figures in the description column

| | | show the dimensions of parts.

ID OD T(or W,L)

→ 12345-56781 (Parts No.) : indicates that the parts number was changed to 12345-56781 and the new parts are interchangeable with the former ones but the former ones are not interchangeable with new ones.

← 12345-56781 (Parts No.) : indicates that the former and new parts are interchangeable with each other and both are usable.

3. INNER PARTS OF ASSEMBLY

Part name with a dot (.) in front as shown in the description column indicates the component of the assembly also available individually.

4. MODIFICATION NOTICE

A parts bulletin will be sent to you on all occasions when changes in parts occur, including interchangeable modifications between new parts and old ones.

5. NOTE

5-1 There are some different parts from those of production models among spare parts for the administrative reasons and common use of them with other models.

5-2. In respect of rubber hoses and vinyl tubes, please be sure to use them by cutting off according to the length mentioned on parts catalogue or what is actually required on the vehicle.

5-3. Note that the drawings on the illustration page are for ready reference of spare parts number, not to be used as an assembly manual.
When assembling, use "SUZUKI SERVICE MANUAL".

6. SPECIFICATION CODE

This catalogue contains the parts for the model designed for the following spec.;

spec. code : P08.

7. SERIAL FRAME NUMBER

UD110EEL3 : PMSCE44B0DY A00001~

9900BC09J00C000

FIG. 1

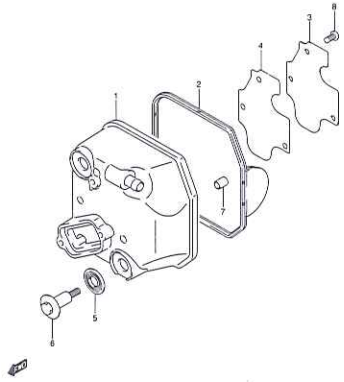


FIG. 2

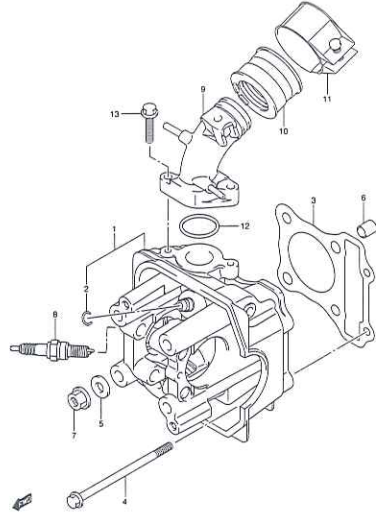


FIG. 3

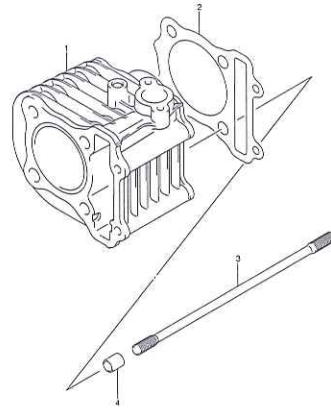


FIG. 4

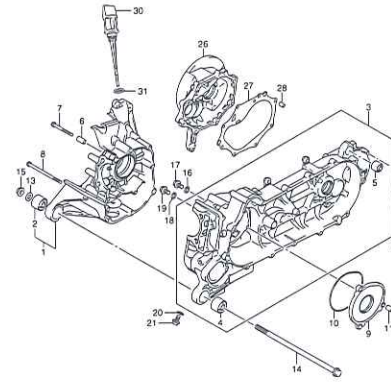


FIG. 5

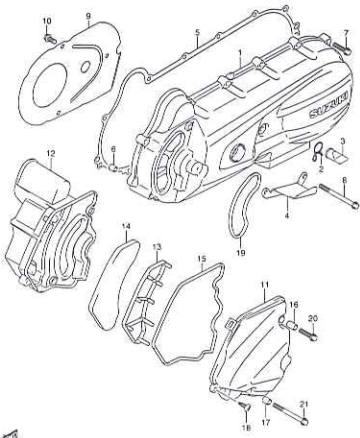


FIG. 6

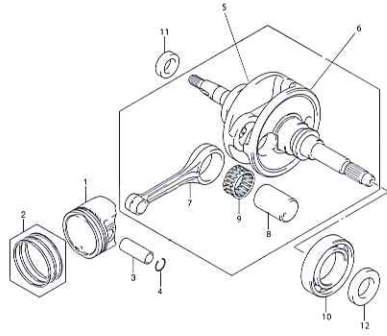


FIG. 7

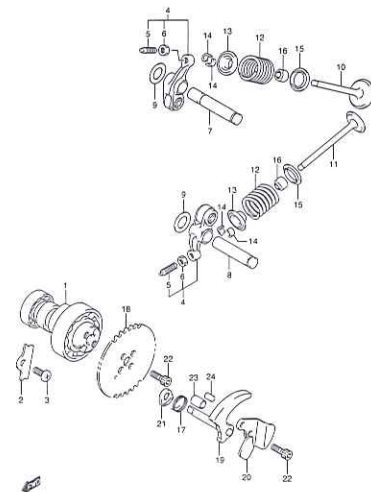
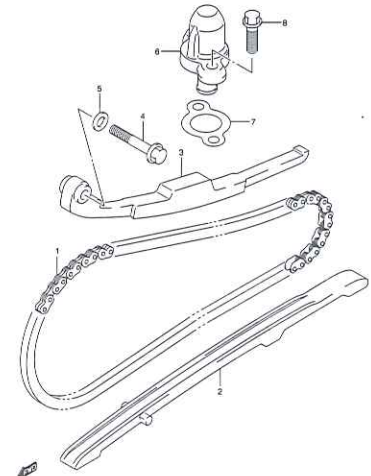


FIG. 8



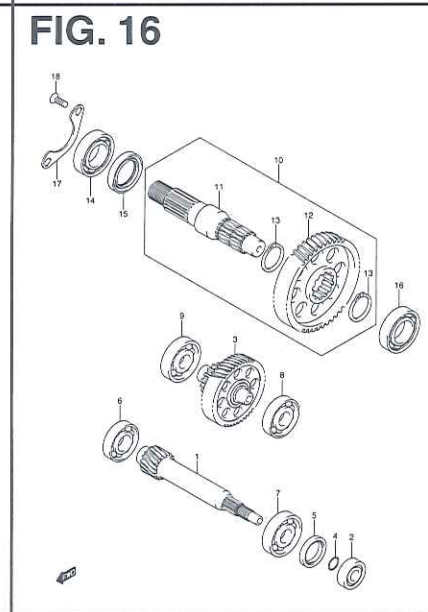
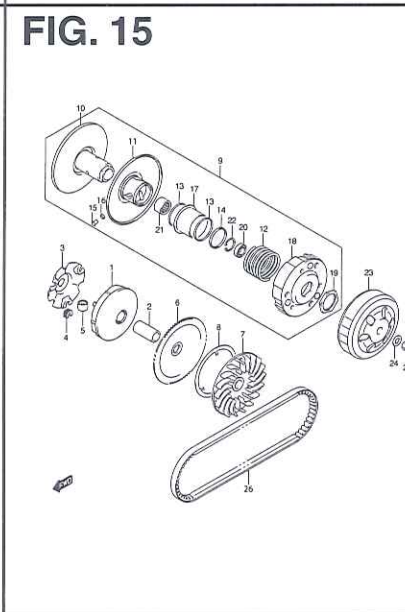
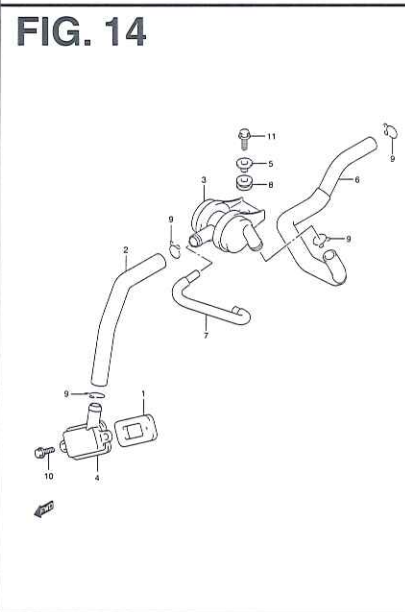
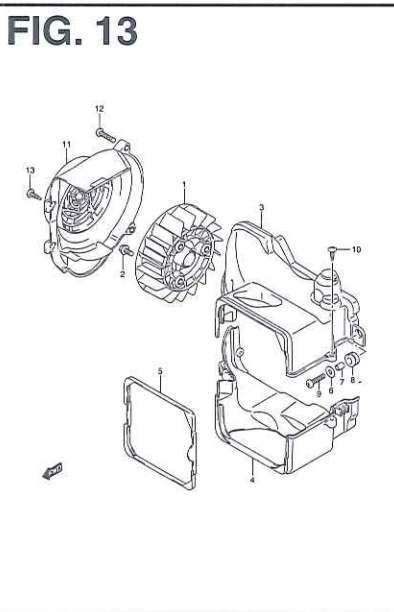
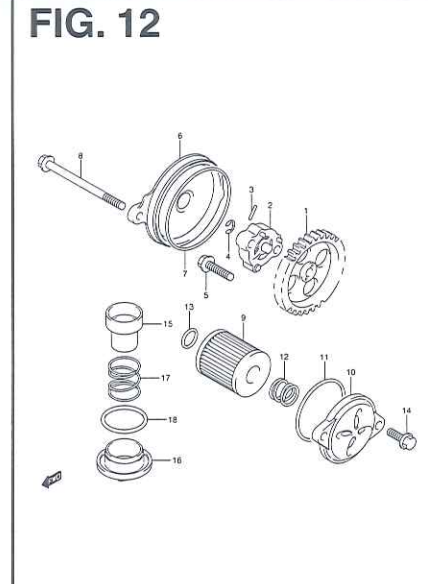
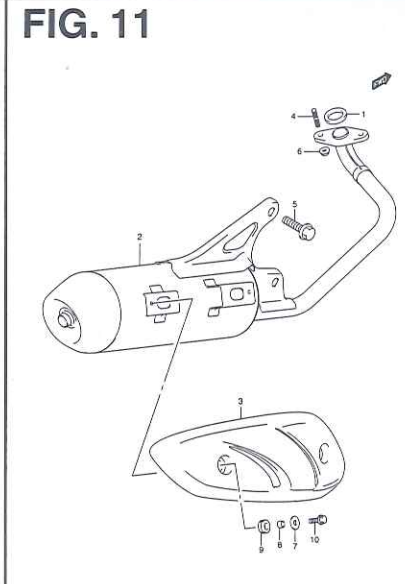
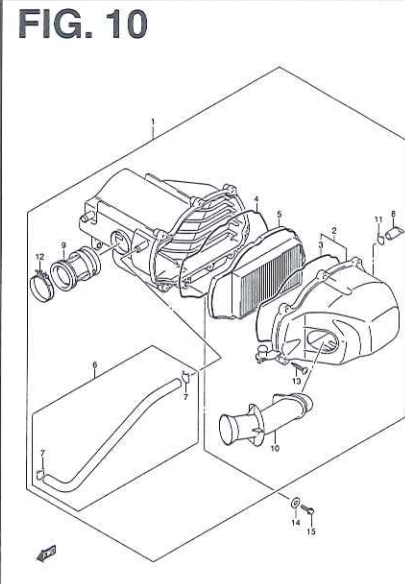
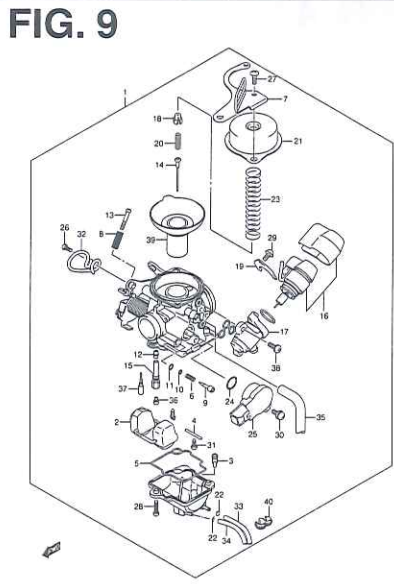


FIG. 17

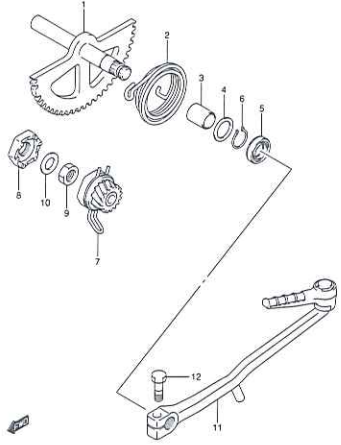


FIG. 18

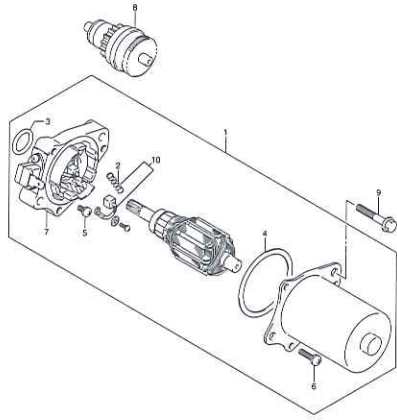


FIG. 19

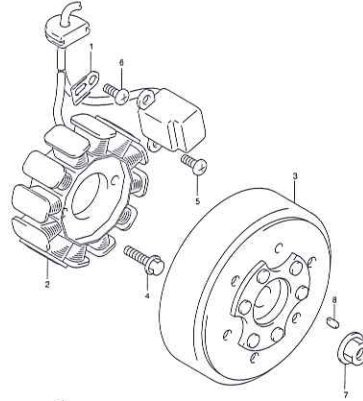
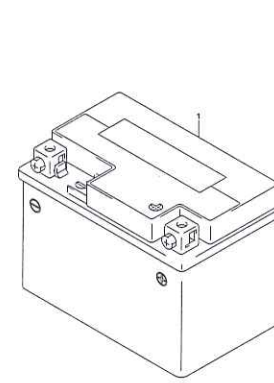


FIG. 20



1

FIG. 21

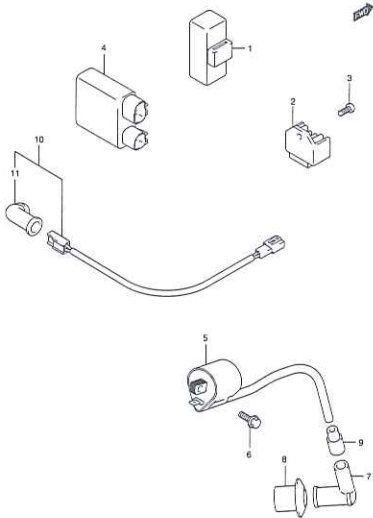


FIG. 22

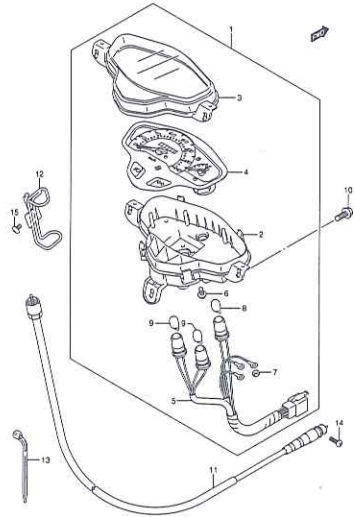


FIG. 23

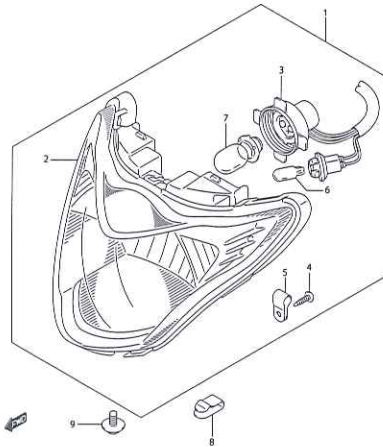
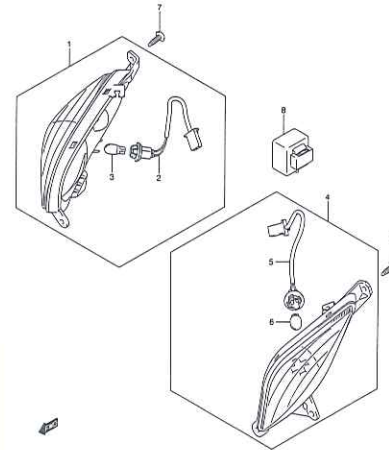


FIG. 24



1

FIG. 25

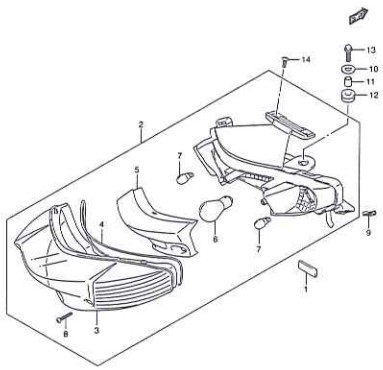


FIG. 26

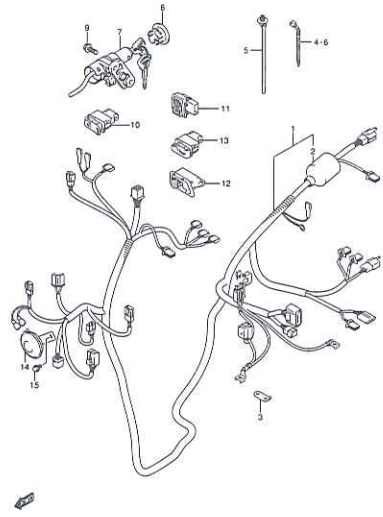


FIG. 27

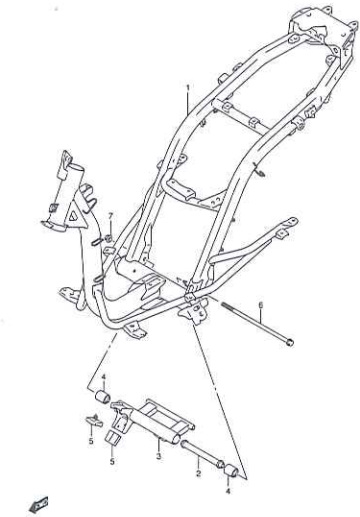


FIG. 28

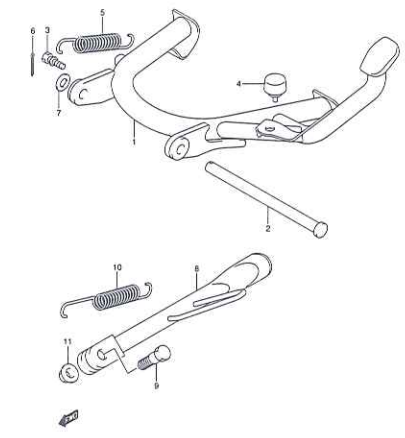


FIG. 29

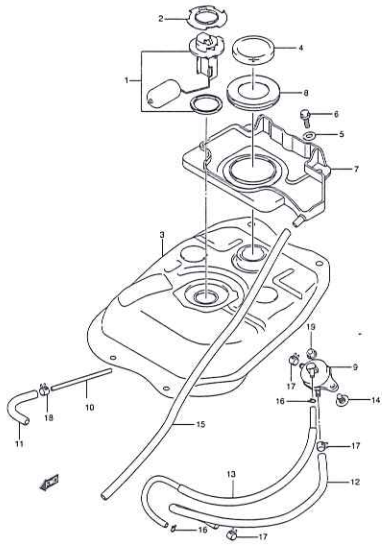


FIG. 30

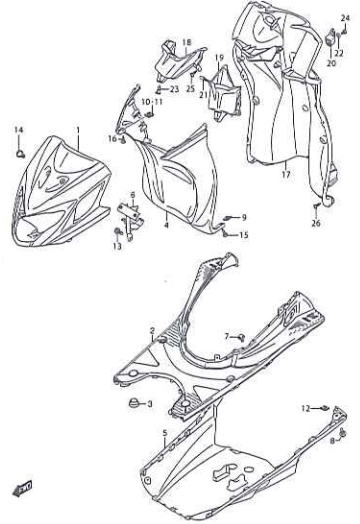


FIG. 31

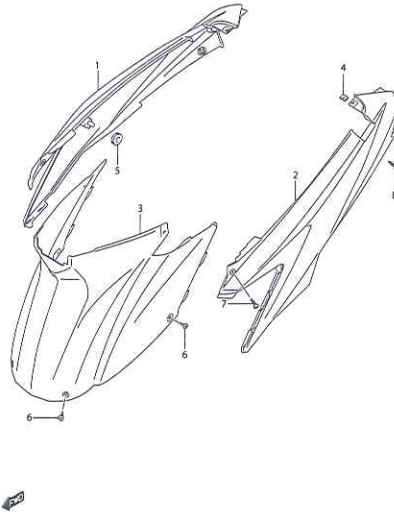
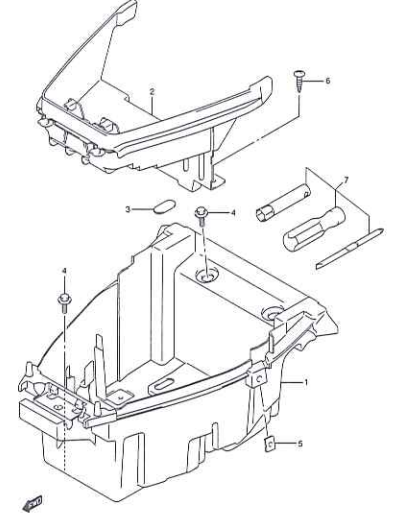


FIG. 32



9900BC09J00C000

FIG. 33

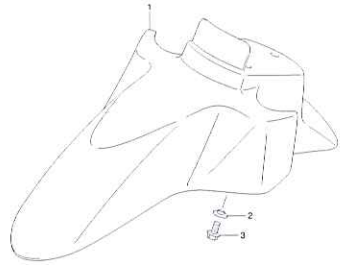


FIG. 34

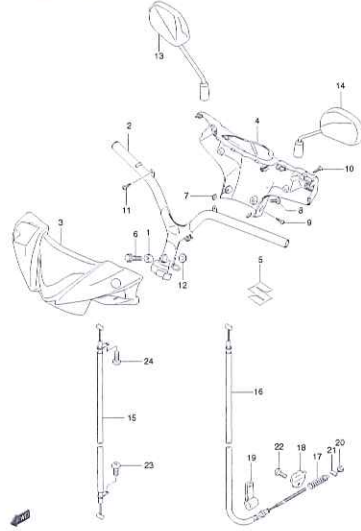


FIG. 35

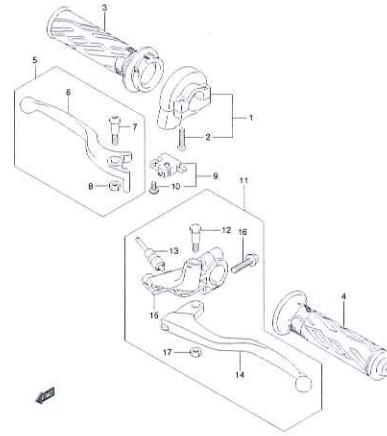


FIG. 36

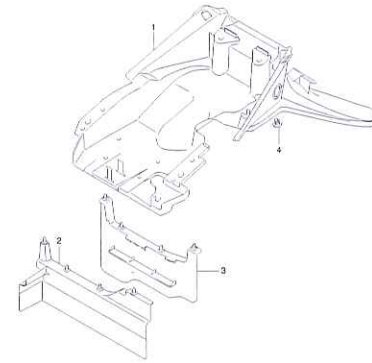


FIG. 37

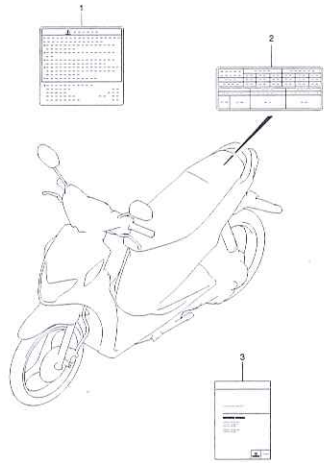


FIG. 38

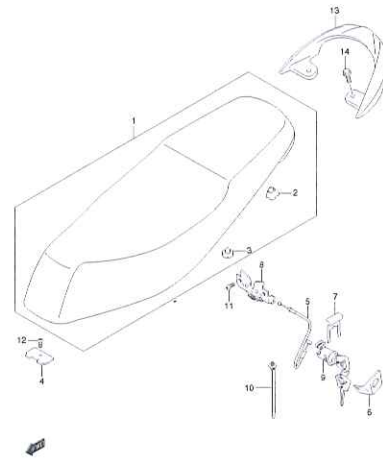


FIG. 39

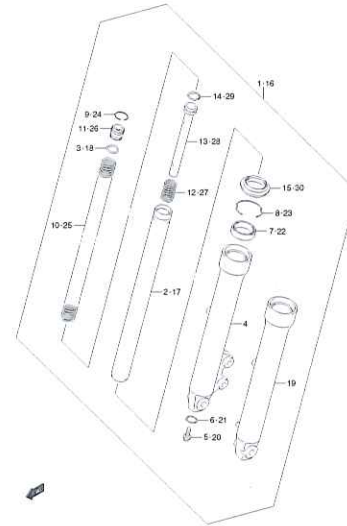
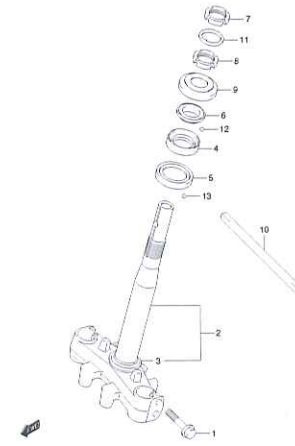


FIG. 40



1

FIG. 41

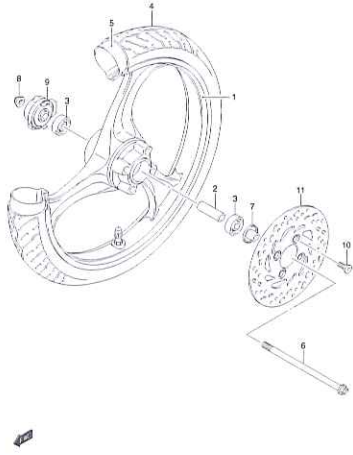


FIG. 42

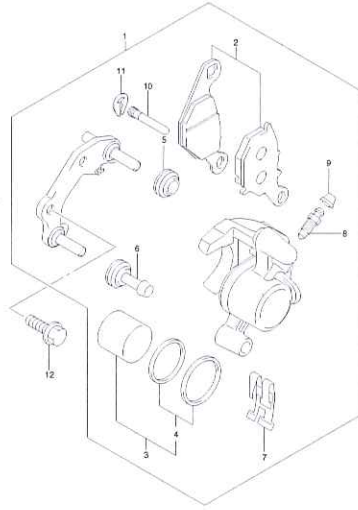


FIG. 43

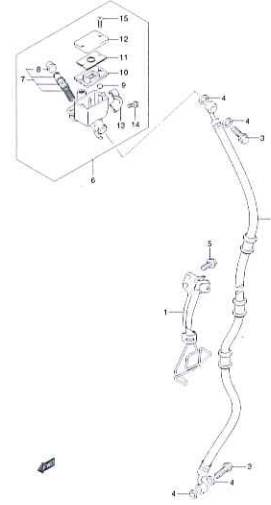


FIG. 44

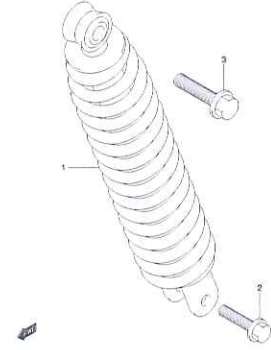


FIG. 45

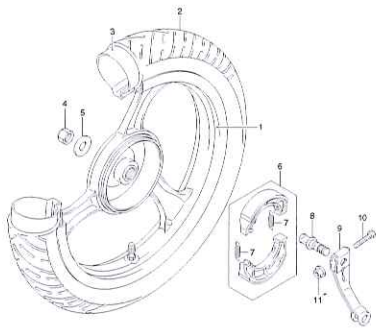


FIG. 46



FIG. 47

FIG. 48

FIG. 1

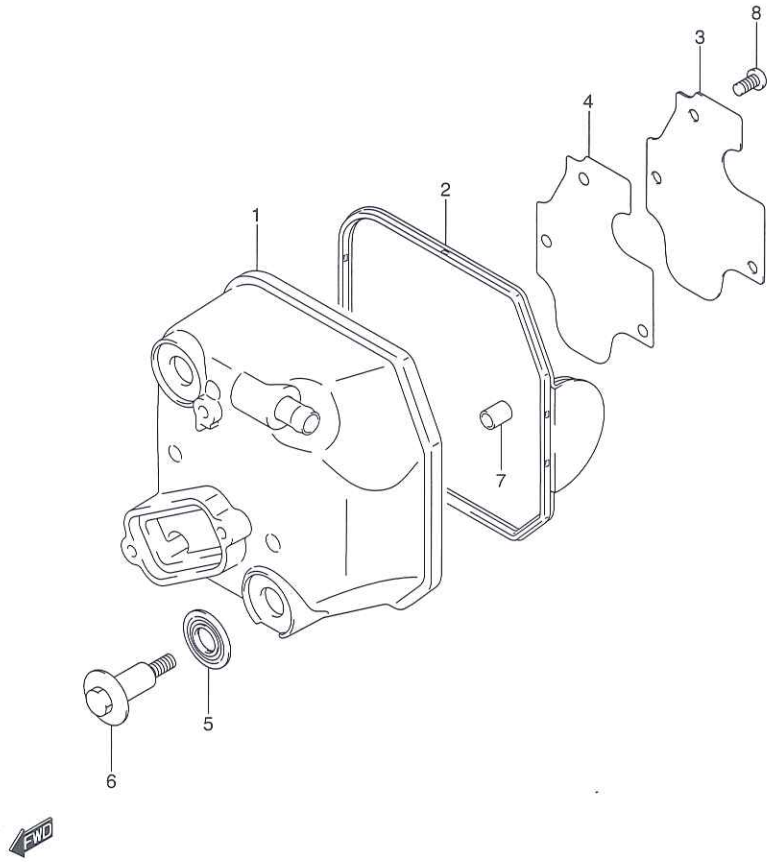


FIG. 1 CYLINDER HEAD COVER

REF NO.	PART NO.	DESCRIPTION	QTY	REMARKS
1	11170B09J00N000	COVER, CYLINDER HEAD	1	
2	11173B09J00N000	GASKET, CYL HEAD COVER	1	
3	11176B09J00N000	PLATE, BREATHER	1	
4	11177B09J00N000	GASKET, BREATHER PLATE	1	
5	11191B27E40N000	WASHER, HEAD COVER BOLT	2	
6	09119B06120N000	BOLT	2	
7	09206-08008-000	PIN (6.3X8X12)	1	
8	02112-0510A-000	SCREW	3	

2

9900BC09J00C000

11

FIG. 2

2

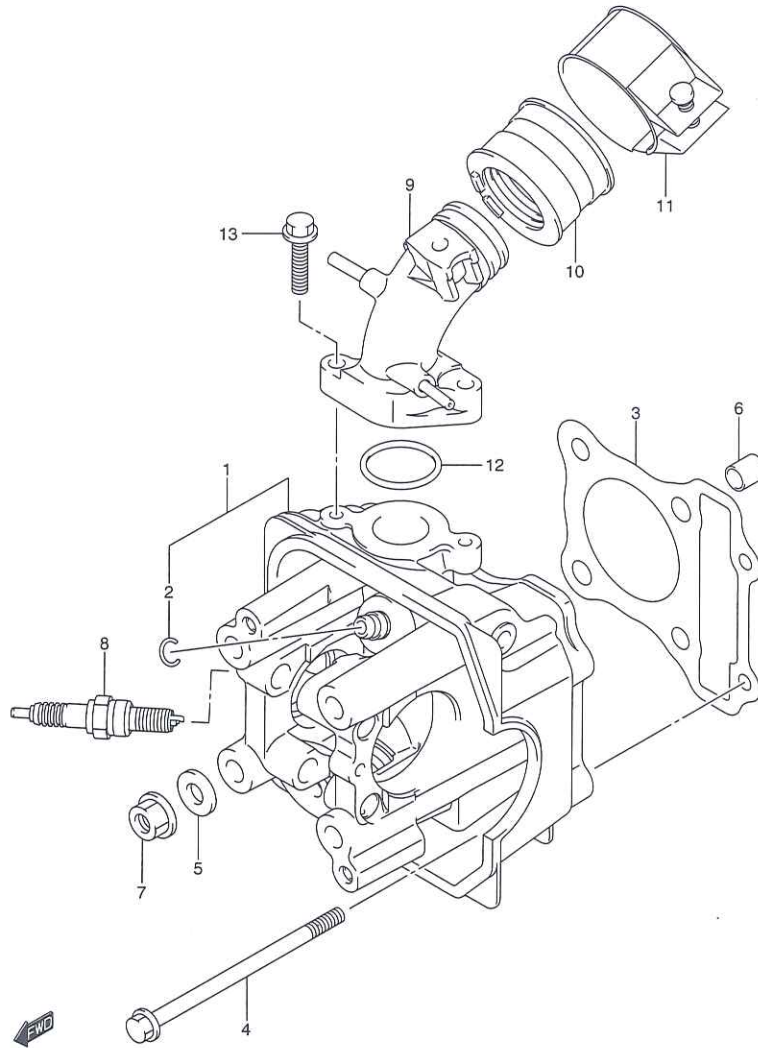


FIG. 2 CYLINDER HEAD COVER

REF NO.	PART NO.	DESCRIPTION	QTY	REMARKS
1	11110B09J00N000	HEAD, CYLINDER	1	
2	09381-10004-000	.SNAP RING	2	
3	11141B09J00N000	GASKET, CYLINDER HEAD	1	
4	09103-06501-000	BOLT (6X100)	2	
5	09160-08164-000	WASHER (8.5X18X2.3)	4	
6	09206-10016-000	PIN (8.2X10X13)	2	
7	08316-1008A-000	NUT	4	
8	09482B00621N000	PLUG, SPARK(NGK, CPR7EA-9)	1	
9	13110B09J00N000	PIPE, INTAKE NO.1	1	
10	13121B09J00N000	PIPE, INTAKE NO.2	1	
11	13170B09J00N000	CLAMP, INTAKE PIPE	1	
12	09280B26011N000	O RING INSULATOR(D:2.4,ID:25.7)	1	
13	01547-0625A-000	BOLT	2	

9900BC09J00C000

12

FIG. 3

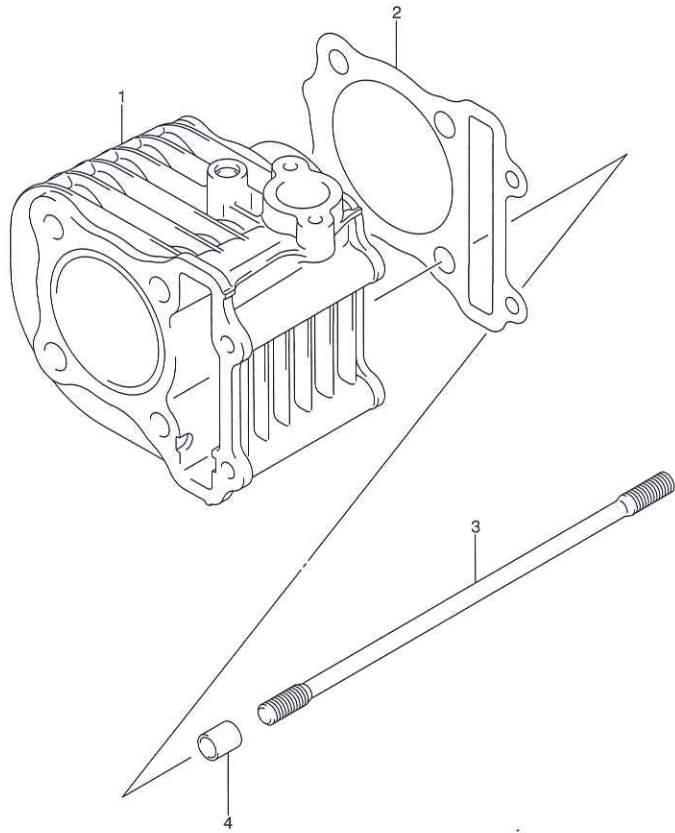


FIG. 3 CYLINDER

REF NO.	PART NO.	DESCRIPTION	QTY	REMARKS
1	11210B09J00N0F0	CYLINDER	1	
2	11241B09J00N000	GASKET, CYLINDER	1	
3	09108-08272-000	STUD BOLT	4	
4	09206-10016-000	PIN (8.2X10X13)	2	

2



9900BC09J00C000

FIG. 4

2

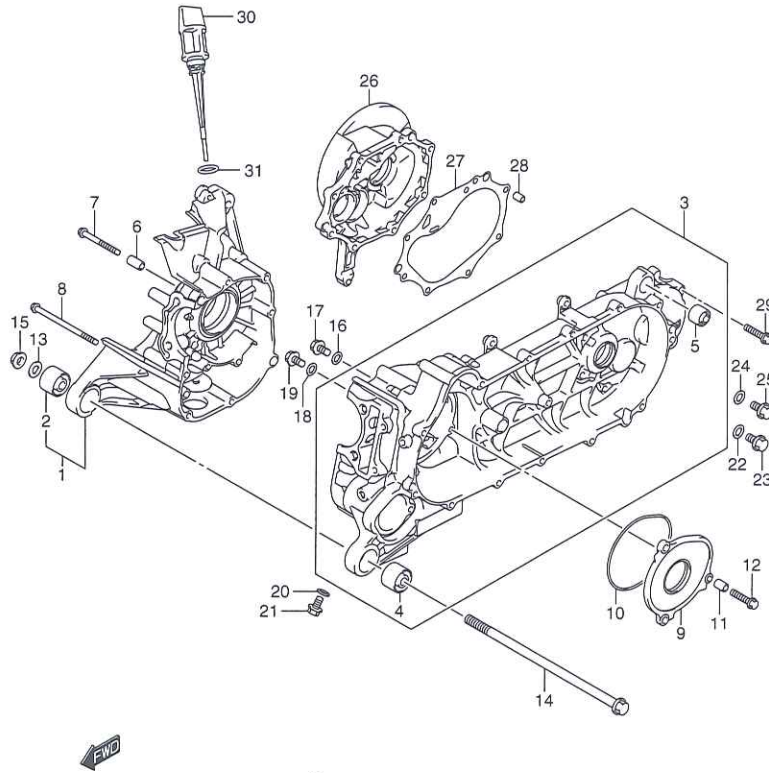


FIG. 4 CRANKCASE

REF NO.	PART NO.	DESCRIPTION	QTY	REMARKS
1	11310B09J00N000	CRANKCASE RH	1	
2	11315B09J00N000	.BUSH, ENGINE MTG	1	
3	11320B09J00N000	CRANKCASE LH	1	
4	11315B09J00N000	.BUSH, ENGINE MTG	1	
5	11316B09J00N000	.BUSH, REAR SHOCK ABS	1	
6	09206B10014N000	PIN (6.4X10X20)	2	
7	01547-0655A-000	BOLT	5	
8	01547B0695AN000	BOLT	2	
9	11323B09J00N000	CAP, CRANKCASE LH	1	
10	11324B09J00N000	O RING, CRANKCASE LH CAP	1	
11	09206-08008-000	PIN (6.3X8X12)	2	
12	01547-0625A-000	BOLT, AIR CLEANER REAR	3	
13	11362B09J00N000	WASHER, ENG MTG NUT	1	
14	09103B10084N000	BOLT (10X235)	1	
15	08316B1010AN000	NUT	1	
16	09168-08016-000	GASKET (8.2X14X1)	2	
17	01550-0812A-000	PLUG	2	
18	09168-08016-000	GASKET (8.2X14X1)	1	
19	01550-0812A-000	PLUG	1	
20	09168-08016-000	GASKET (8.2X14X1)	1	
21	01550-0812A-000	PLUG	1	
22	09168-08016-000	GASKET (8.2X14X1)	1	
23	01550-0812A-000	PLUG	1	
24	09168-08016-000	GASKET (8.2X14X1)	1	
25	01550-0812A-000	PLUG	1	
26	11431B09J00N000	COVER, GEAR BOX	1	
27	11484B09J00N000	GASKET, GEAR BOX COVER	1	
28	09206-08008-000	PIN (6.3X8X12)	2	
29	01547-0630A-000	BOLT	8	
30	11971B09J00N000	GAUGE, OIL LEVEL	1	
31	09280-17003-000	O RING (D:3.1,ID:16.8)	1	

9900BC09J00C000

14

FIG. 5

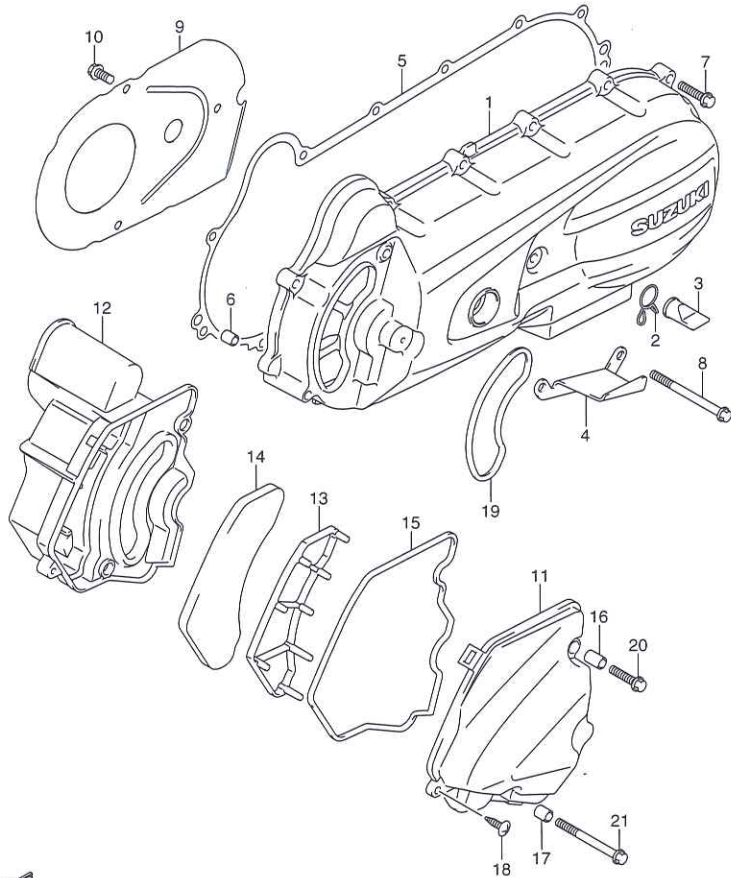


FIG. 5 CRANKCASE COVER

REF NO.	PART NO.	DESCRIPTION	QTY	REMARKS
1	11340B09J00N000	COVER, CLUTCH	1	
2	11344-13H00-000	CLIP	1	
3	11345-13H10-000	PLUG, WATER DRAIN	1	
4	11347B09J00N000	PLATE, CLUTCH COVER LOWER	1	
5	11482B09J00N000	GASKET, CLUTCH COVER(NA)	1	
6	09206-08008-000	PIN (6.3X8X12)	2	
7	01547-0625A-000	BOLT	2	
8	01547-0670A-000	BOLT	1	
9	11346B09J00-000	PLATE, CLUTCH COVER AIR INTAKE	1	
10	01547-0612A-000	BOLT	3	
11	11381B09J00N000	DUCT, BELT COOLING NO.1	1	
12	11382B09J00N000	DUCT, BELT COOLING NO.2	1	
13	11383B09J00N000	PLATE, BELT COOLING DUCT	1	
14	11384B09J00N000	FILTER, BELT COOLING	1	
15	11386B09J00N000	GASKET, BELT COOLING DUCT NO.2	1	
16	09180B06268N000	SPACER (6.5X9X13.5)	1	
17	09180-06307-000	SPACER (6.5X9X10)	1	
18	03541-0516A-000	SCREW	1	
19	11385B09J00N000	GASKET, BELT COOLING DUCT NO.1	1	
20	01547-0625A-000	BOLT	1	
21	01547-0660A-000	BOLT	1	

2

9900BC09J00C000

FIG. 6

2

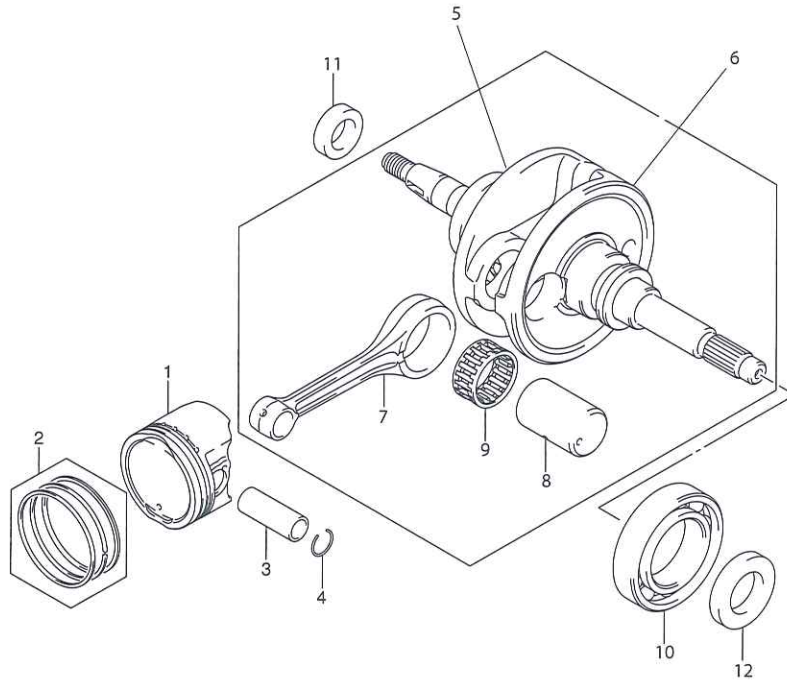


FIG. 6 CRANKSHAFT

REF NO.	PART NO.	DESCRIPTION	QTY	REMARKS
1-1	12111B09J00N0F0	PISTON	1	
1-2	12111B09J00N050	PISTON (OS 0.5)	1	OPT
2-1	12140B09J00N0F0	RING SET, PISTON	1	
2-2	12140B09J00N050	RING SET, PISTON (OS 0.5)	1	OPT
3	12151B09J00N000	PIN, PISTON	1	
4	09381B13001N000	CIRCLIP	2	
5	12220B09J00N000	CRANKSHAFT COMPR	1	
6	12260B09J00N000	CRANKSHAFT,L	1	
7	12161B09J00N0B0	.CONNROD	1	
8	12211B09J00N000	.PIN, CRANK	1	
9	09263B25070N0B0	.BEARING (25.1X30.1X13.8)	1	
10	09262-35088-000	BEARING (35X62X14)	1	LH
11	09283B16L01N000	SEAL (16X26X7)	1	RH
12	09283B22L02N000	SEAL (22X38X6)	1	LH



FIG. 7

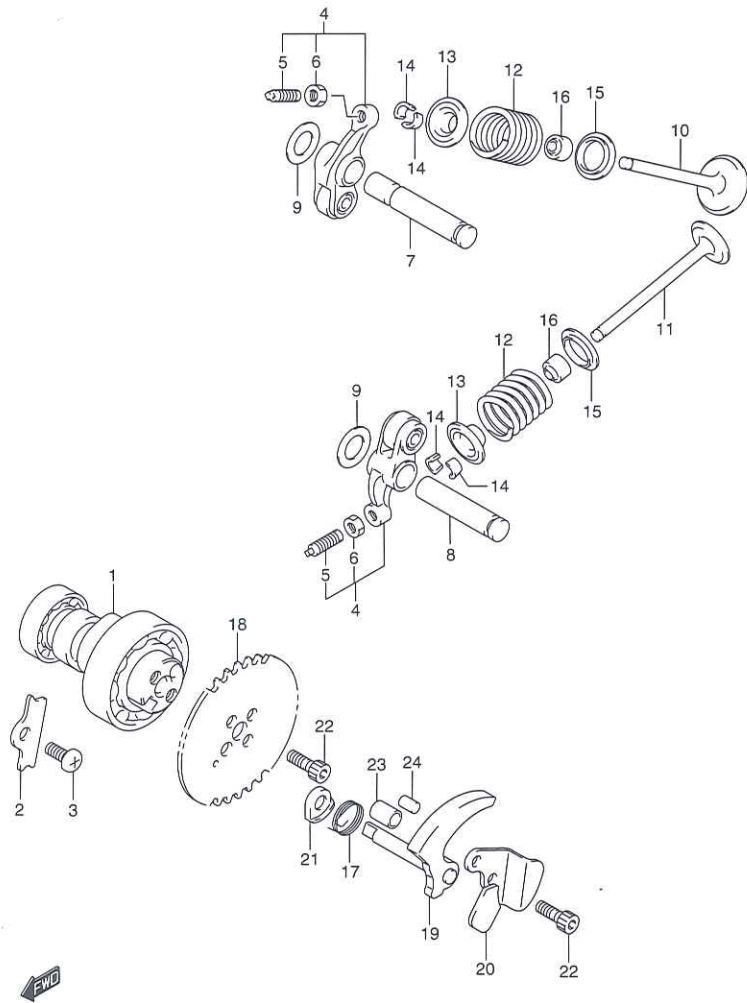


FIG. 7 CAM SHAFT/VALVE

REF NO.	PART NO.	DESCRIPTION	QTY	REMARKS
1	12710B09J00N000	CAMSHAFT COMP	1	
2	12862B09J00N000	RETAINER, CAMSHAFT	1	
3	02112-0612A-000	SCREW	1	
4	12840B09J00N000	ARM ASSY, VALVE ROCKER	2	
5	12842B09J00N000	.SCREW, TAPPET ADJUSTING	2	
6	12843-27A00-000	.NUT, TAPPET ADJUSTING	2	
7	12861B09J00N000	SHAFT, VALVE ROCKER ARM INTAKE	1	
8	12871B09J00N000	SHAFT, VALVE ROCKER ARM EXHAUST	1	
9	09164-10012-000	WASHER	2	
10	12911B09J00N000	VALVE, INTAKE	1	
11	12912B09J00N000	VALVE, EXHAUST	1	
12	12921B09J00N000	SPRING, VALVE	2	
13	12931-09G00-000	RETAINER, VALVE SPRING	2	
14	12932-09G00-000	COTTER, VALVE	4	
15	12933-09G00-000	SEAT, VALVE SPRING	2	
16	09289B05L01N000	SEAL (4.4X10.5X8.4)	2	
17	12725-20G00-000	SPRING, DECOMP CAM	1	
18	12741B09J00N000	SPROCKET, CAMSHAFT (NT:34)	1	
19	12950B09J00N000	CAM, DECOMPRESSION	1	
20	12954-09G10-000	STOPPER, DECOMP CAM	1	
21	12955-33G00-000	WASHER, DECOMP SHAFT	1	
22	09106-05028-000	BOLT (5X15)	2	
23	09206-08008-000	PIN (6.3X8X12)	1	
24	09261-05005-000	PIN (5X8)	1	

2

9900BC09J00C000

FIG. 8

2

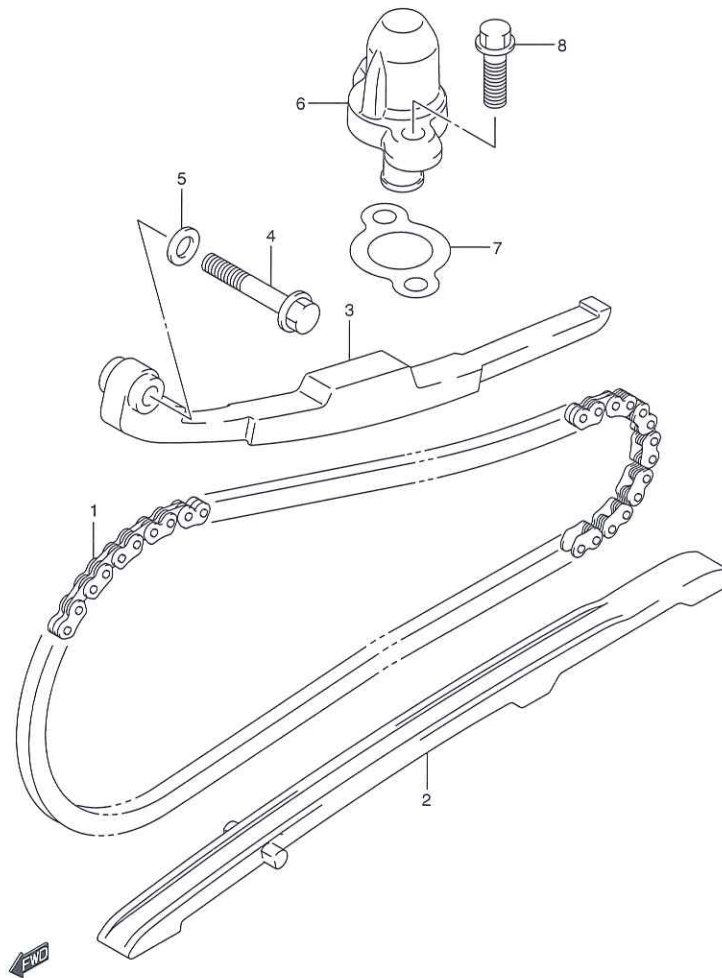


FIG. 8 CAM CHAIN

REF NO.	PART NO.	DESCRIPTION	QTY	REMARKS
1	12760B09J00N000	CHAIN, CAMSHAFT DRIVE	1	
2	12771B09J00N000	GUIDE, CAM CHAIN	1	
3	12811B09J00N000	TENSIONER, CAM CHAIN	1	
4	09103-06247-000	BOLT (6X32)	1	
5	09168-06004-000	GASKET (6.2X11X1.2)	1	
6	12830B32G02N000	ADJUSTER ASSY, TENSIONER	1	
7	12837B46G10N000	GASKET, TENSIONER ADJUSTER(NA)	1	
8	01547-0620A-000	BOLT	2	

9900BC09J00C000

FIG. 9

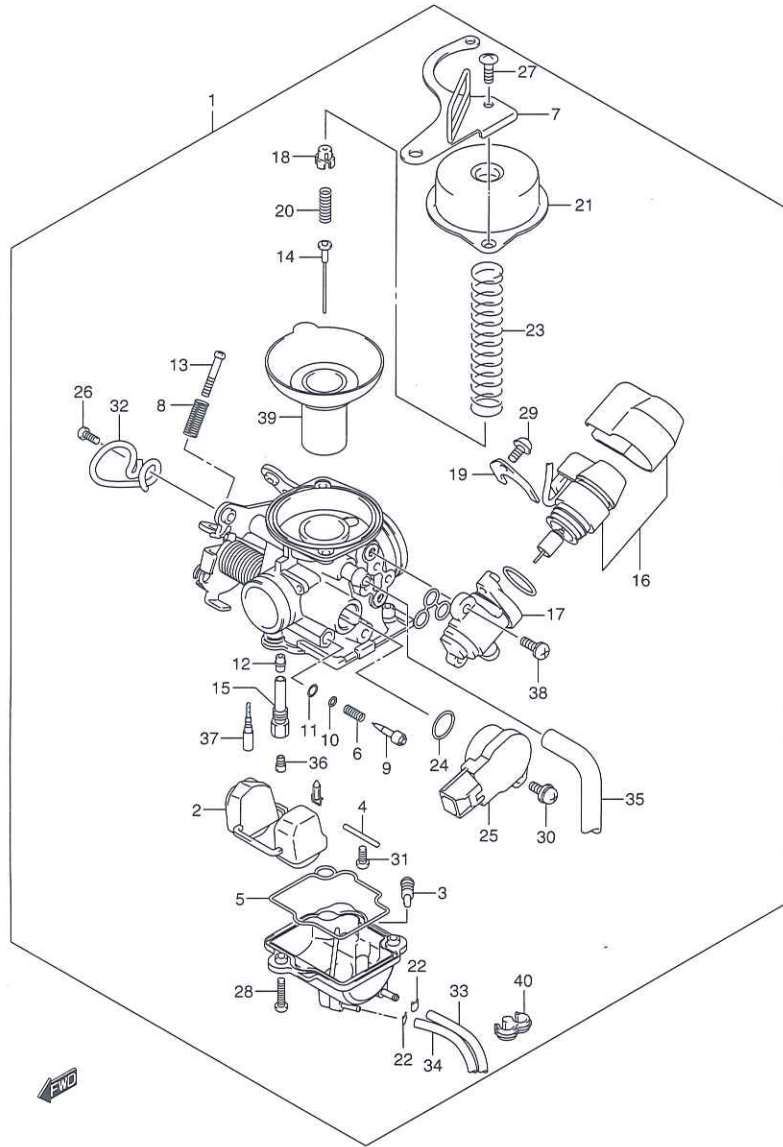


FIG. 9 CARBURETOR

REF NO.	PART NO.	DESCRIPTION	QTY	REMARKS
1	13200B09J00N000	CARBURETOR ASSY	1	
2	13240-47E00-000	.FLOAT ASSY	1	
3	13247-09G10-000	.SCREW	1	
4	13254-20010-000	.PIN, FLOAT	1	
5	13258-23F00-000	.O RING	1	
6	13268-47070-000	.SPRING	1	
7	13270B09J00N000	.PLATE ASSY	1	
8	13271-24D00-000	.SPRING	1	
9	13279B09J00N000	.ADJUSTER	1	
10	13291-29900-000	.WASHER	1	
11	13295-29900-000	.O RING	1	
12	13341B30H00N000	.JET, NEEDLE	1	
13	13374-85000-000	.SCREW	1	
14	13383B09J00N000	.NEEDLE, JET	1	
15	13385B09J00N000	.HOLDER, JET	1	
16	13411B09J00N000	.PLUNGER ASSY	1	
17	13412B09J00N000	.STARTER BODY ASSY	1	
18	13418-12F40-000	.HOLDER	1	
19	13421B41H00N000	.STAY	1	
20	13481B45H00N000	.SPRING	1	
21	13502B36H10N000	.COVER, DIAPHRAGM	1	
22	13529-98010-000	.CLIP	2	
23	13573B36H10N000	.SPRING	1	
24	13575-29G00-000	.O RING	1	
25	13580B09J00N000	.SENSOR	1	
26	13602-05088-000	.SCREW	1	
27	02112-05107-000	.SCREW	2	
28	13602-42A20-000	.SCREW	3	
29	13605-20C00-000	.SCREW	1	
30	13605B09J00N000	.SCREW	1	
31	13614B89J00N000	.SCREW	1	
32	13672B09J00N000	.CLIP	1	
33	13683B09J00N000	.HOSE	1	
34	13684B09J00N000	.HOSE	1	
35	13686B09J00N000	.HOSE	1	
36	09491-23012-000	.JET, MAIN (115)	1	
37	09492-12012-000	.JET, PILOT (12.5)	1	
38	02112-35127-000	.SCREW	2	
39	13500B36H10N000	.PISTON VALVE ASSY	1	
40	13692B09J00N000	.CLAMP	1	

2

9900BC09J00C000

FIG. 10

2

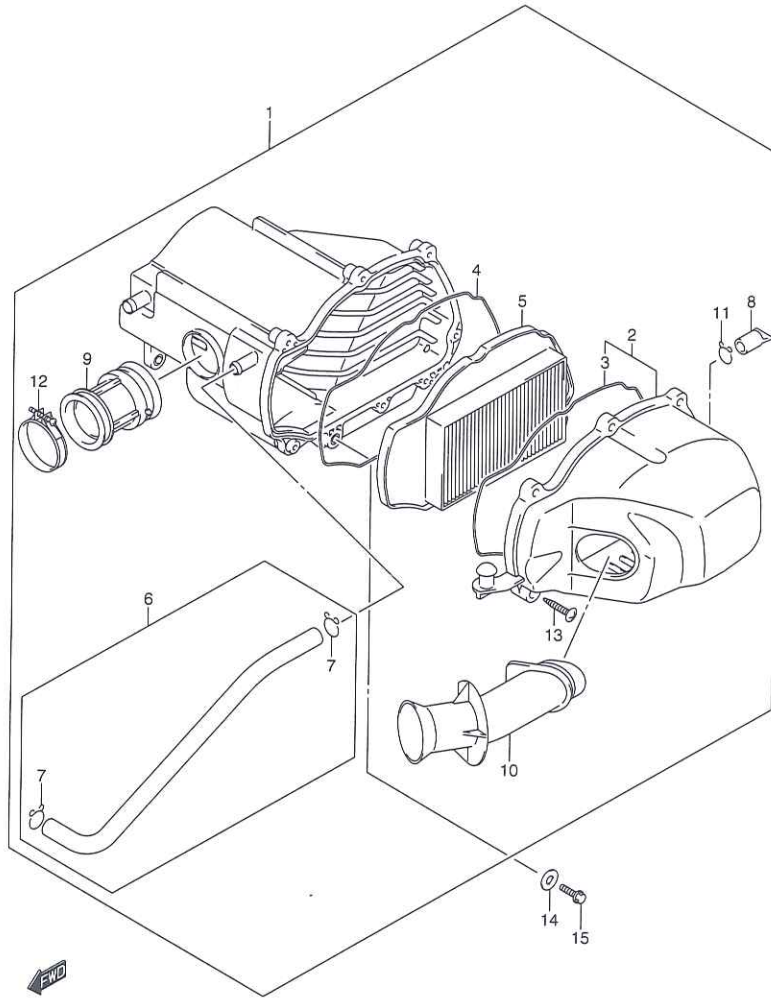


FIG. 10 AIR CLEANER

REF NO.	PART NO.	DESCRIPTION	QTY	REMARKS
1	13700B09J00N000	CLEANER ASSY, AIR	1	
2	13740B09J00N000	.CAP, AIR CLEANER	1	
3	13746B09J00N000	..GASKET	1	
4	13746B09J00N000	.GASKET	1	
5	13780B09J00N000	.FILTER ASSY, AIR CLEANER	1	
6	13850B09J00N000	.TUBE,BREATHER	1	
7	09401-13409-000	..CLIP	2	
8	13871-10J00-000	.PLUG, DRAIN	2	
9	13881B09J00N000	.TUBE, OUTLET	1	
10	13891B09J00N000	.TUBE,INLET	1	
11	09401-11101-000	.CLIP	2	
12	09402-44208-000	.CLAMP	1	
13	03541-0525A-000	.SCREW	7	
14	09160-06028-000	WASHER (6.5X18X1)	3	
15	01547-0620A-000	BOLT	3	

9900BC09J00C000

20

FIG. 11

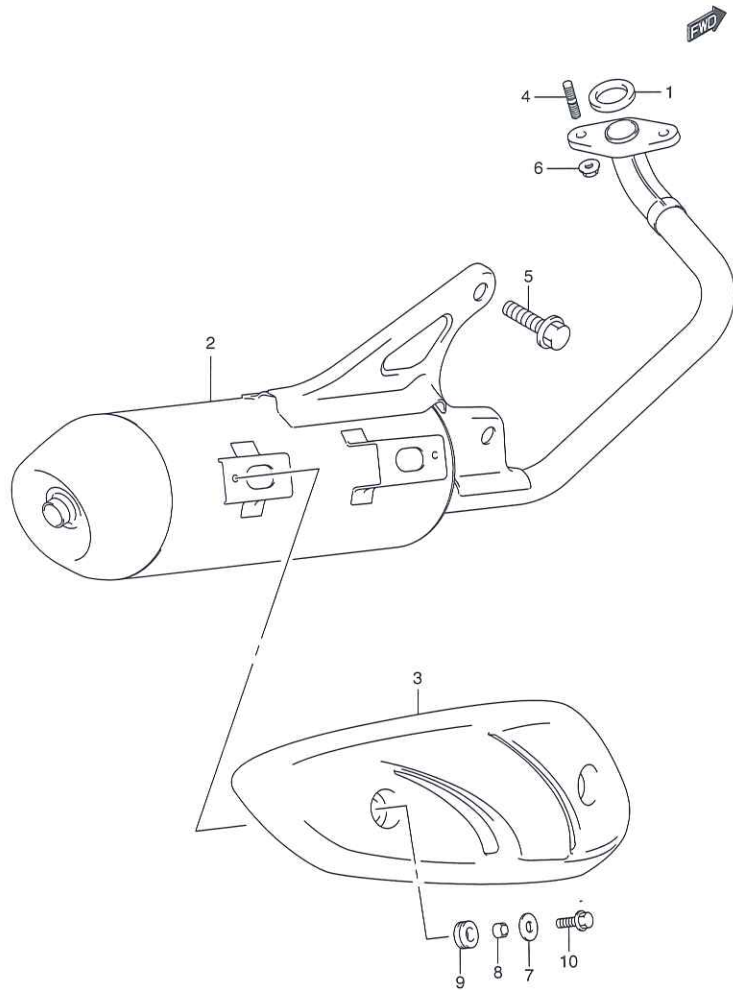


FIG. 11 MUFFLER

REF NO.	PART NO.	DESCRIPTION	QTY	REMARKS
1	14181B30A20N000	GASKET, EXH PIPE	1	
2	14310B09J00N000	BODY, MUFFLER	1	
3	14781B09J00N000	COVER, MUF	1	
4	01421-0616A-000	BOLT	2	
5	01550B1040AN000	BOLT	2	
6	08316-1006A-000	NUT	2	
7	09160-06028-000	WASHER (6.5X18X1)	2	
8	09180-06256-000	SPACER (6.5X9X5.7)	2	
9	09320-08051-000	CUSHION	2	
10	01550-0616A-000	BOLT	2	

2

FIG. 12

2

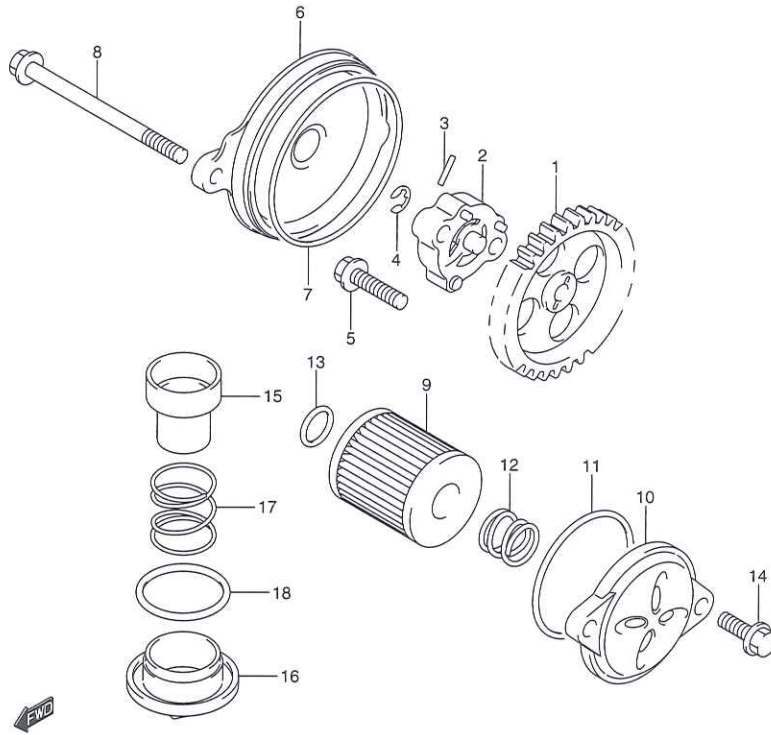


FIG. 12 OIL PUMP

REF NO.	PART NO.	DESCRIPTION	QTY	REMARKS
1	16331B09J00N000	GEAR, OIL PUMP DRIVEN (NT:43)	1	
2	16400B09J00N000	PUMP ASSY, ENGINE OIL	1	
3	16421-20E00-000	PIN, OIL PUMP DRIVEN	1	
4	16423-20E00-000	E-RING, OIL PUMP DRIVEN	1	
5	01547-0625A-000	BOLT	2	
6	16422B09J00N000	COVER, OIL PUMP	1	
7	16423B09J00N000	O-RING, OIL PUMP COVER	1	
8	01547-0680A-000	BOLT	2	
9	16510-16H11-000	FILTER, ENG OIL	1	
10	16512B09J00N000	CAP, OIL FILTER	1	
11	16518B09J00N000	O RING, OIL FILTER CAP	1	
12	16519B09J00N000	SPRING, OIL FILTER	1	
13	09280B13010N000	O RING (D:1.9, ID:12.5)	1	
14	01547-0616A-000	BOLT	2	
15	16520B09J00N000	STRAINER, ENG OIL	1	
16	16523B09J00N000	CAP, OIL STRAINER	1	
17	16524B09J00N000	SPRING, OIL STRAINER	1	
18	16525B09J00N000	O RING	1	

FIG. 13

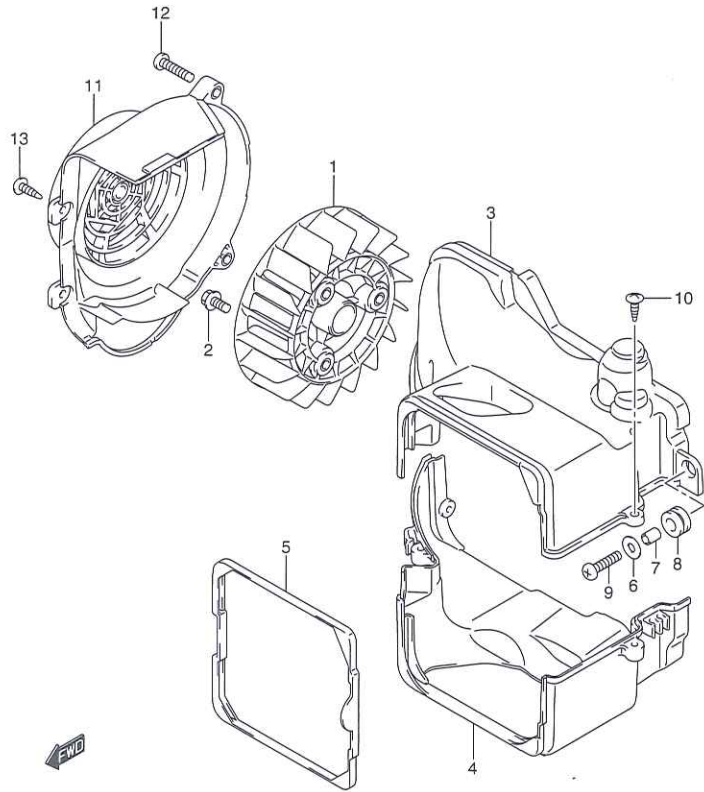


FIG. 13 COOLING FAN

REF NO.	PART NO.	DESCRIPTION	QTY	REMARKS
1	17110B09J00N000	FAN, COOLING	1	
2	01550-0612A-000	BOLT	3	
3	17121B09J00N000	COWLING, CYLINDER UPPER	1	
4	17122B09J00N000	COWLING, CYLINDER LOWER	1	
5	17123B09J00N000	MOLD, CYLINDER COWLING	1	
6	09160-06129-000	WASHER (6.5X16X1)	1	
7	09180-06307-000	SPACER (6.5X9X10)	1	
8	09320-09016-000	CUSHION	1	
9	02112B0625AN000	SCREW	1	
10	03541-0516A-000	SCREW	2	
11	17130B09J00N000	COWLING, FAN	1	
12	02112-1625A-000	SCREW	2	
13	03541-0516A-000	SCREW	2	

2

9900BC09J00C000

FIG. 14

2

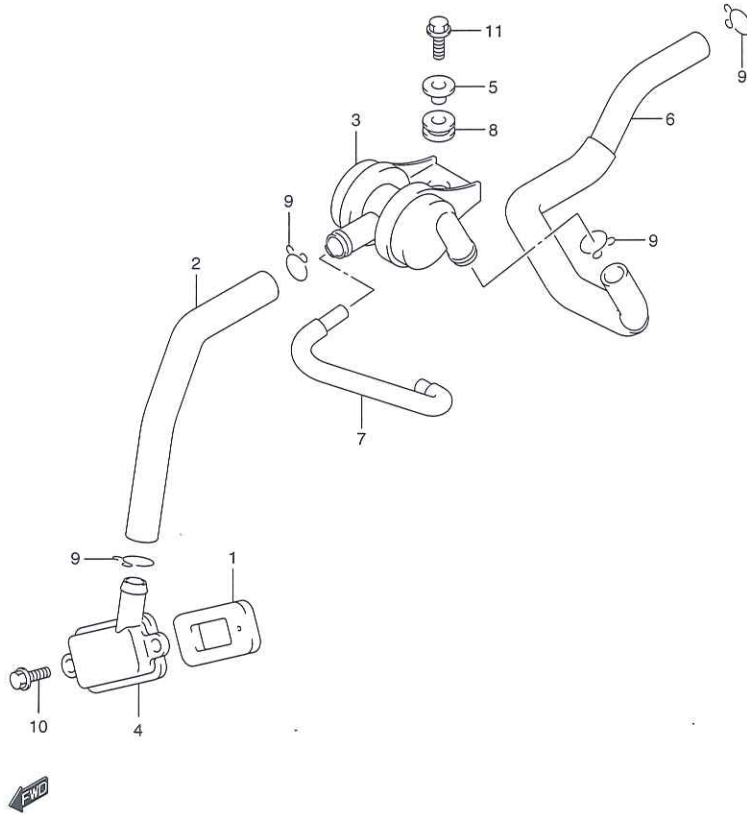


FIG. 14 2ND AIR

REF NO.	PART NO.	DESCRIPTION	QTY	REMARKS
1	18450B41H00N000	VALVE ASSY, 2ND AIR REED	1	
2	18461B09J00N000	HOSE, 2ND AIR VALVE	1	
3	18510B09J00N000	VALVE ASSY, AIR CUT	1	
4	18531B09J00N000	COVER, 2ND AIR REED VALVE	1	
5	18630B09J00N000	SPACER, 2ND AIR VALVE SPRT	1	
6	18711B09J00N000	HOSE, 2ND AIR CLNR	1	
7	18762B09J00N000	HOSE, 2ND AIR VALVE VACUUM	1	
8	09320-07014-000	CUSHION	1	
9	09401-15101-000	CLIP	4	
10	01547-0616A-000	BOLT	2	
11	01547-0620A-000	BOLT	1	

9900BC09J00C000

FIG. 15

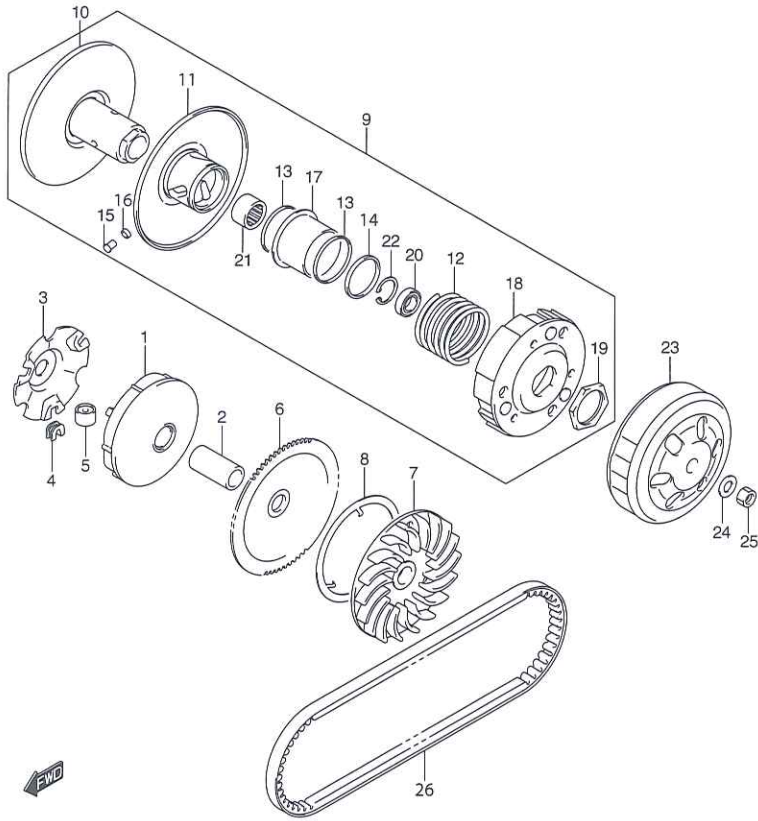


FIG. 15 TRANSMISSION (1)

REF NO.	PART NO.	DESCRIPTION	QTY	REMARKS
1	21120B09J00N000	FACE, MOVABLE DRIVE	1	
2	21125B09J00N000	SPACER, MOVABLE DRIVE	1	
3	21431B09J00N000	PLATE, MOVABLE DRIVE	1	
4	21481B09J00N000	DAMPER, MOVABLE DRIVE PLATE	3	
5	21650B09J00N000	ROLLER, MOVABLE DRIVE	6	
6	21111B09J00N000	FACE, FIXED DRIVE (NT:70)	1	
7	21113B09J00N000	FAN, FIXED DRIVE	1	
8	21114B09J00N000	PLATE, FIXED DRIVE	1	
9	21200B09J00N000	FACE ASSY, DRIVEN	1	
10	21210B09J00N000	FACE COMP, FIXED DRIVEN	1	
11	21240B09J00N000	.FACE, MOVABLE DRIVEN	1	
12	21243B09J00N000	.SPRING, MOVABLE DRIVEN	1	
13	21245B09J00N000	.O RING, MOVABLE DRIVEN	2	
14	21247B09J00N000	.SEAL, MOVABLE DRIVEN OIL	2	
15	21248-33G00-000	.PIN, MOVABLE DRIVEN	3	
16	21249-33G00-000	.SPACER, MOVABLE DRIVEN PIN	3	
17	21471B09J00N000	.SHEET, MOVABLE DRIVEN	1	
18	21501B09J00N000	.CLUTCH ASSY, SHOE(NA)	1	
19	21518B09J00N000	.NUT, SHOE CLUTCH	1	
20	09262B12018N000	.BEARING (12X24X6)	1	LH
21	09263B17042N000	.BEARING (17X25X18)	1	RH
22	09381-24L02-000	.CIRCLIP	1	
23	21220B09J00N000	HOUSING, CLUTCH	1	
24	21223B09J00N000	WASHER, CLUTCH HOUSING	1	
25	08310-0010A-000	NUT	1	
26	27601B09J00N000	V-BELT, DRIVE	1	

3

9900BC09J00C000

FIG. 16

3

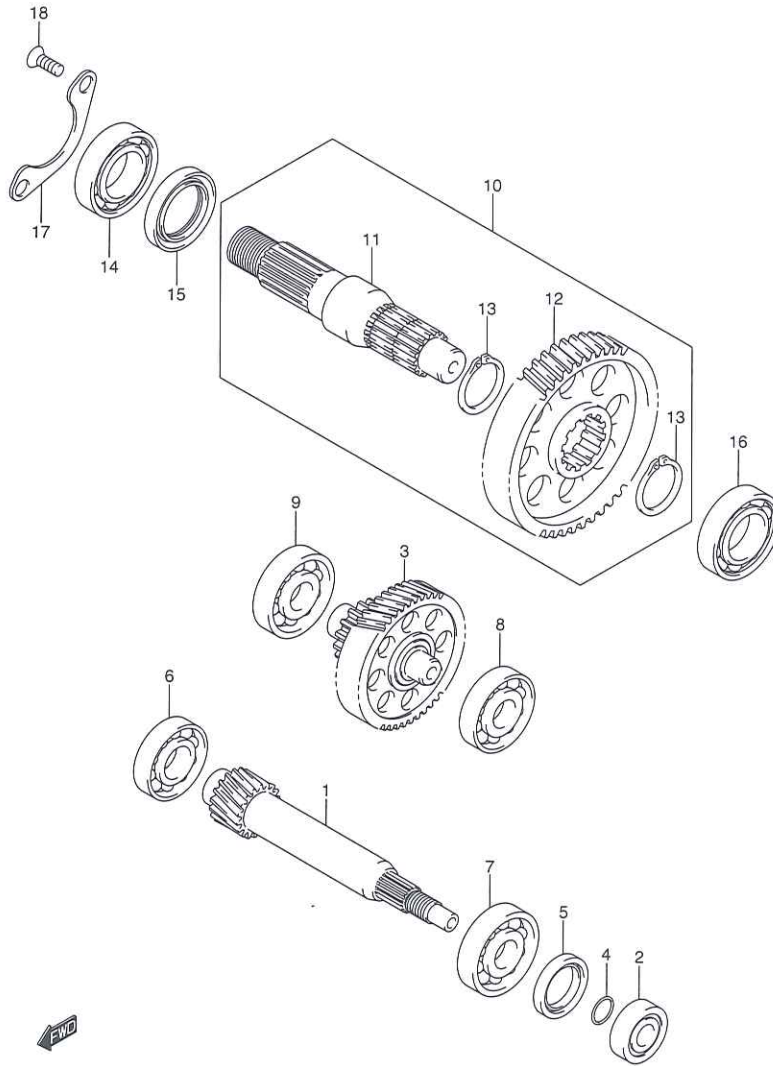


FIG. 16 TRANSMISSION (2)

REF NO.	PART NO.	DESCRIPTION	QTY	REMARKS
1	24131B09J00N000	SHAFT, DRIVE (NT:16)	1	
2	24132B09J00N000	BEARING, DRIVE SHAFT LH	1	
3	24150B09J00N000	SHAFT, IDLE (NT:44)	1	
4	09280B08L01N000	O RING (D:1.9,ID:7.8)	1	
5	09283B17L02N000	SEAL (17X28X5.5)	1	
6	08110-60020-000	BEARING	1	RH
7	08110-62030-000	BEARING	1	MIDDLE
8	08113-62017-000	BEARING	1	LH
9	08113-62027-000	BEARING	1	RH
10	24140B09J00N000	SHAFT, REAR AXLE	1	
11	24141B09J00N000	SHAFT, REAR AXLE	1	
12	24371B09J00N000	GEAR, FINAL DRIVEN (NT:45)	1	
13	08331-31249-000	CIRCLIP	2	
14	09262-22036-000	BEARING (22X50X14)	1	RH
15	09283B27L02N000	SEAL (27X40X6)	1	
16	08110-62030-000	BEARING	1	LH
17	24751-07900-000	RETAINER, AXLE SHAFT BEARING	1	
18	02122-0616A-000	SCREW	2	

9900BC09J00C000

26

FIG. 17

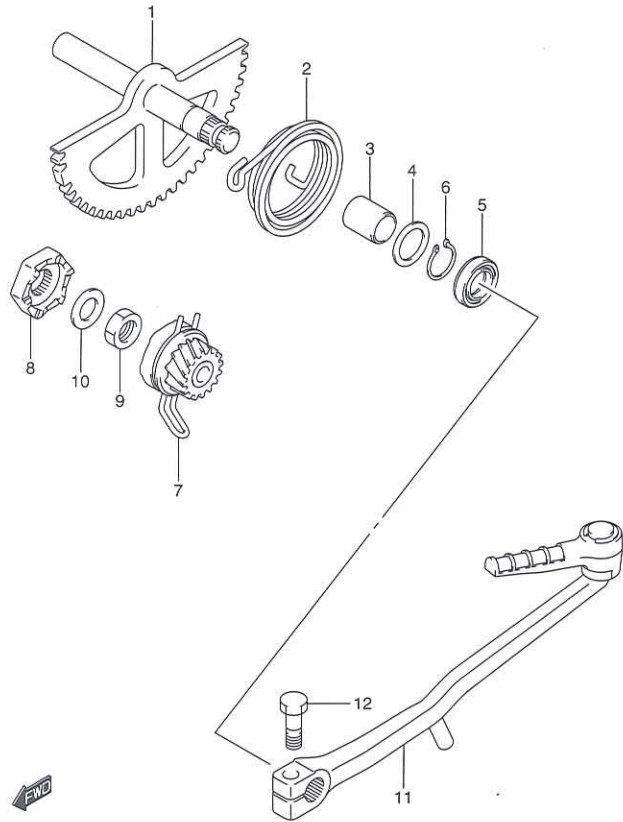


FIG. 17 KICK STARTER

REF NO.	PART NO.	DESCRIPTION	QTY	REMARKS
1	26210B09J00N000	SHAFT, KICK STARTER	1	
2	26212B46G00N000	SPRING, KICK STARTER SHAFT	1	
3	26213B09J00N000	BUSH, KICK SHAFT	1	
4	09160-14053-000	WASHER (14.5X22X0.8)	1	
5	09283-14L05-000	SEAL (14X24X6)	1	
6	08331-3114A-000	CIRCLIP	1	
7	26200B09J00N000	GEAR ASSY, KICK STARTER DRIVEN(NT:10)	1	
8	26231-33G00-000	STARTER, KICK, RH	1	
9	09140-12037-000	NUT	1	
10	09164-12020-000	WASHER (12.2X22X1.2)	1	
11	26300B09J00N000	LEVER ASSY, KICK STARTER	1	
12	26314-33G00-000	BOLT, KICK STARTER LEVER	1	

3

9900BC09J00C000

FIG. 18

3

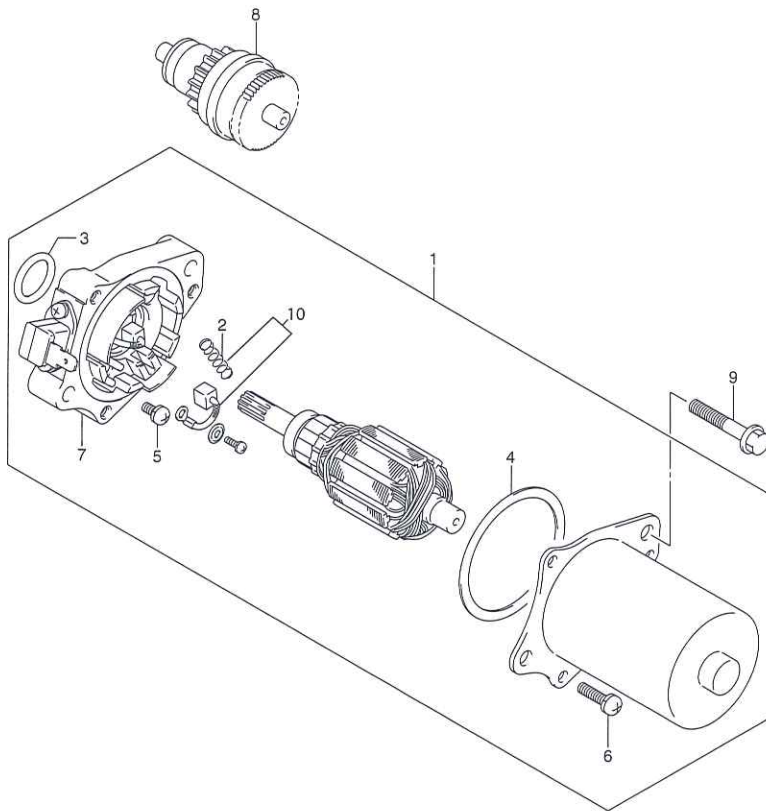


FIG. 18 STARTING MOTOR

REF NO.	PART NO.	DESCRIPTION	QTY	REMARKS
1	31100B09J00N000	MOTOR ASSY, STARTING	1	
2	31135-19D00-000	.SPRING	1	
3	31156B32G00N000	.O RING	1	
4	31157B32G00N000	.GASKET	1	
5	02112-3406A-000	.SCREW	1	
6	02112-3516A-000	.SCREW	3	
7	31130B32G00N000	.HOLDER ASSY, STARTING	1	
8	31370B32G00N000	PINION ASSY, STARTING MOTOR	1	
9	01547-0630A-000	BOLT	2	
10	31131B09J00N000	BRUSH SET	1	

FIG. 19

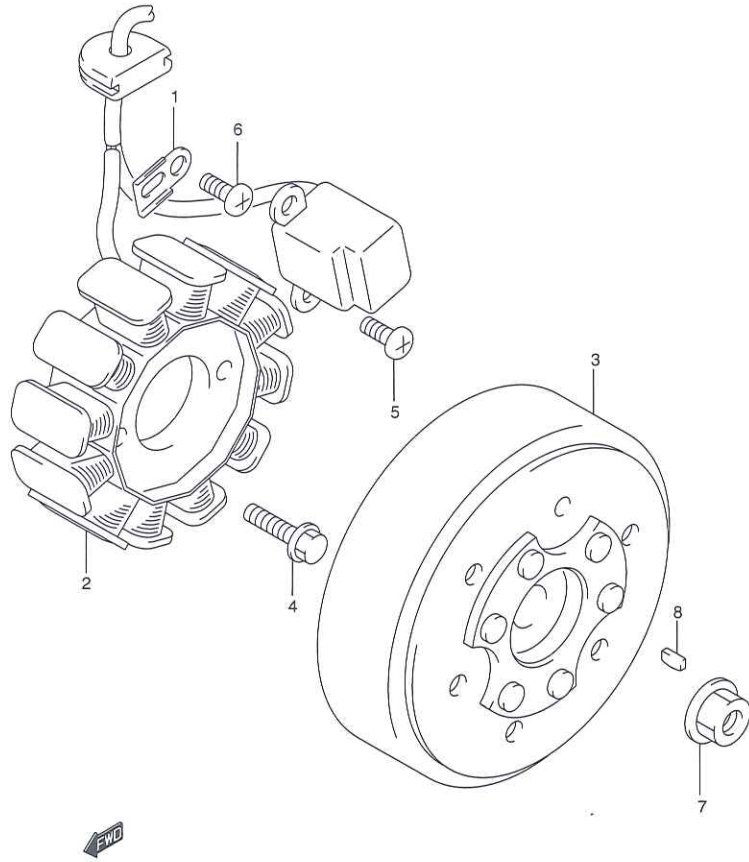


FIG. 19 MAGNETO

REF NO.	PART NO.	DESCRIPTION	QTY	REMARKS
1	31497-45000-000	CLAMP, MAGNETO LEAD	1	
2	32101B09J00N000	STATOR ASSY	1	
3	32102B09J00N000	ROTOR ASSY	1	
4	01547-0620A-000	BOLT	2	
5	02112-0512A-000	SCREW	2	
6	02112-0512A-000	SCREW	1	
7	08316B1010AN000	NUT	1	
8	08341-31039-000	KEY	1	

3

9900BC09J00C000

3

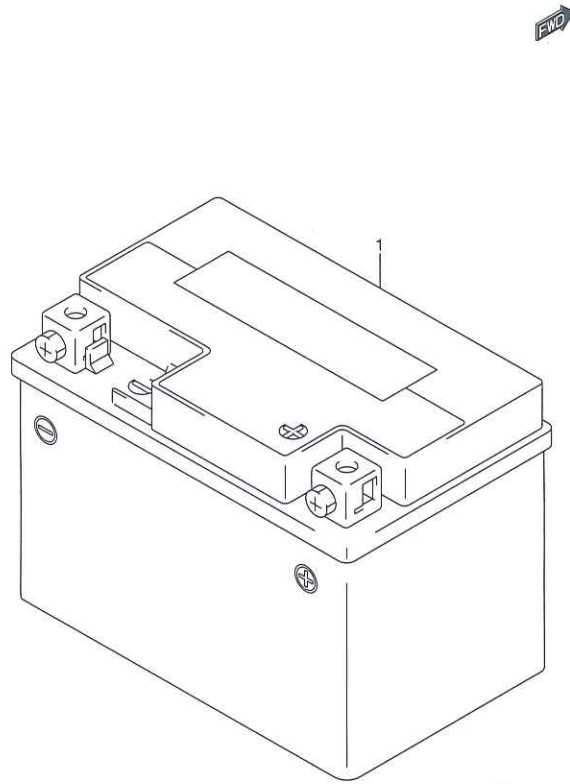
9900BC09J00C000

30

FIG. 20

FIG. 20 BATTERY

REF NO.	PART NO.	DESCRIPTION	QTY	REMARKS
1	33610-20GH0T000	BATTERY FTZ4V	1	



4

9900BC09J00C000

4

FIG. 21

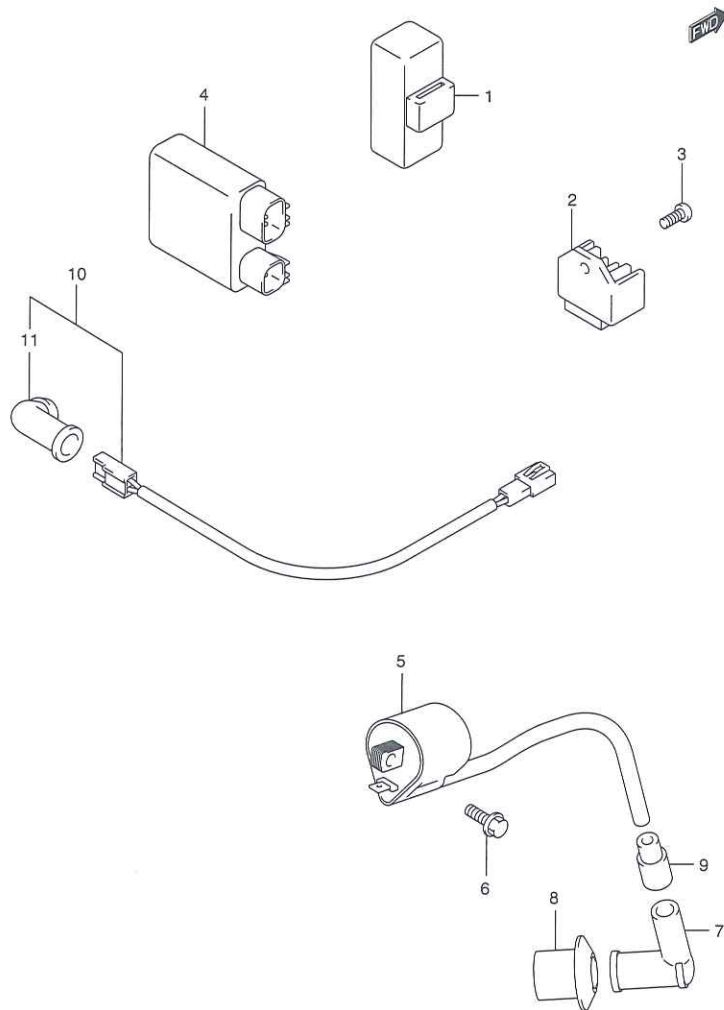


FIG. 21 ELECTRICAL

REF NO.	PART NO.	DESCRIPTION	QTY	REMARKS
1	31800B16H00N000	RELAY ASSY, STARTING MOTOR	1	
2	32800B09J00N000	RECTIFIER ASSY	1	
3	02112-0612A-000	SCREW	1	
4	32900B09J00N000	CDI UNIT	1	
5	33410B09J00N000	COIL ASSY, IGNITION	1	
6	01547-0620A-000	BOLT	2	
7	33510B09J00N000	CAP, SPARK PLUG	1	
8	33541B09J00N000	SEAL, SPARK PLUG	1	
9	33542B09J00N000	SEAL, HIGH TENSION CORD	1	
10	33810B09J00N000	WIRE, STARTER MOTOR	1	
11	31861-48B10-000	.CAP, STARTER MOTOR	1	

FIG. 22

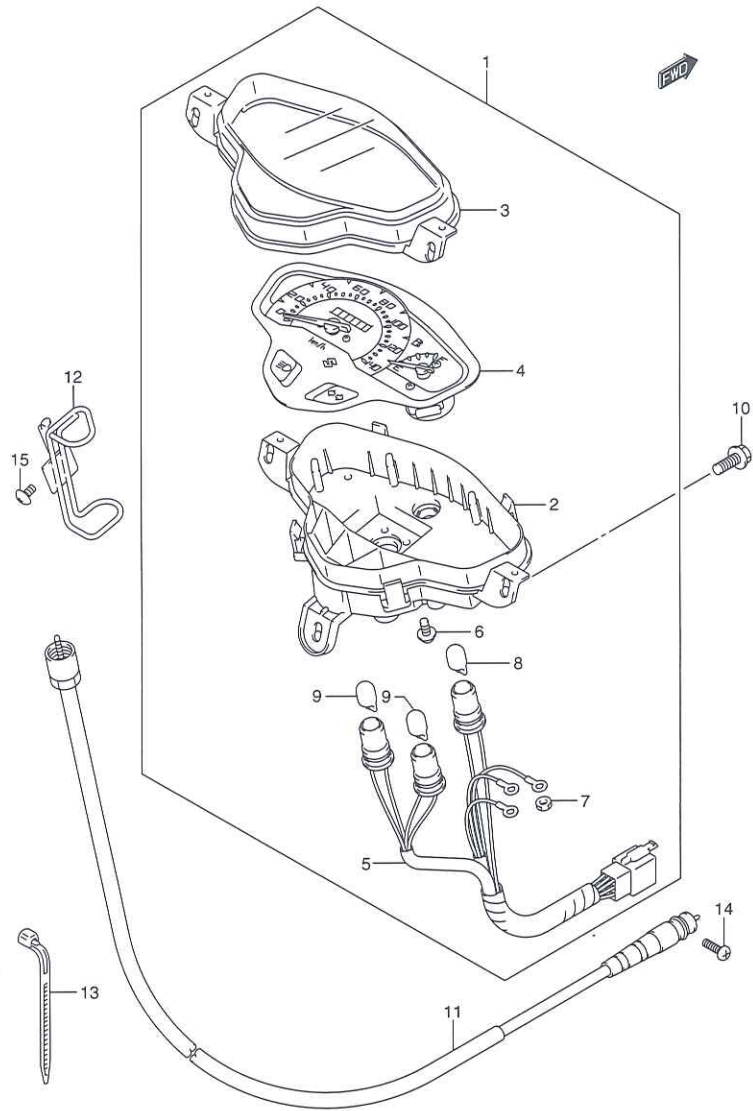


FIG. 22 SPEEDOMETER

REF NO.	PART NO.	DESCRIPTION	QTY	REMARKS
1	34100B09J20N000	SPEEDOMETER ASSY	1	
2	34111B09J00N000	.CASE	1	
3	34150B09J00N000	.LENS	1	
4	34120B09J20N000	.SPEEDOMETER	1	
5	34173B09J00N000	.CORD ASSY	1	
6	34186B09J00N000	.SCREW	2	
7	34382B09J00N000	.NUT	3	
8	09471-12092-000	.BULB (12V,3.4W)	1	
9	09471-12077-000	.BULB (12V,1.7W)	2	
10	03541-0516A-000	SCREW	3	
11	34910B45H20N000	CABLE ASSY, SPEEDOMETER	1	
12	34930B09J00N000	GUIDE, SPEEDOMETER CABLE	1	
13	09407-11401-000	CLAMP (L:95)	1	
14	02112-0516A-000	SCREW	1	
15	02142-0612A-000	SCREW	1	

4

9900BC09J00C000

FIG. 23

4

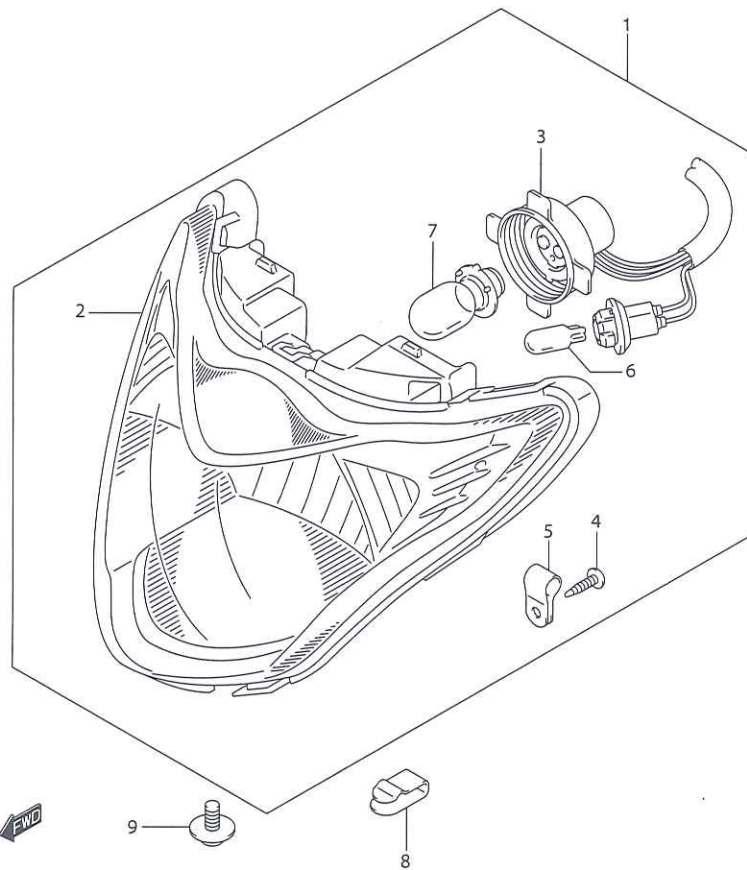


FIG. 23 HEADLAMP

REF NO.	PART NO.	DESCRIPTION	QTY	REMARKS
1	35100B09J00N000	HEADLAMP ASSY	1	
2	35121B09J00N000	.HEADLAMP UNIT	1	
3	35171B09J00N000	.SOCKET	1	
4	35187B10J00N000	.SCREW	1	
5	35328B10J00N000	.CLIP	1	
6	09471-12028-000	.BULB (12V,3.4W)	1	
7	09471-12028L000	.BULB (12V,3.4W)	1	
8	35194-23F00-000	CLIP, HEADLAMP	2	
9	09136-05051-000	SCREW (5X12)	1	

FIG. 24

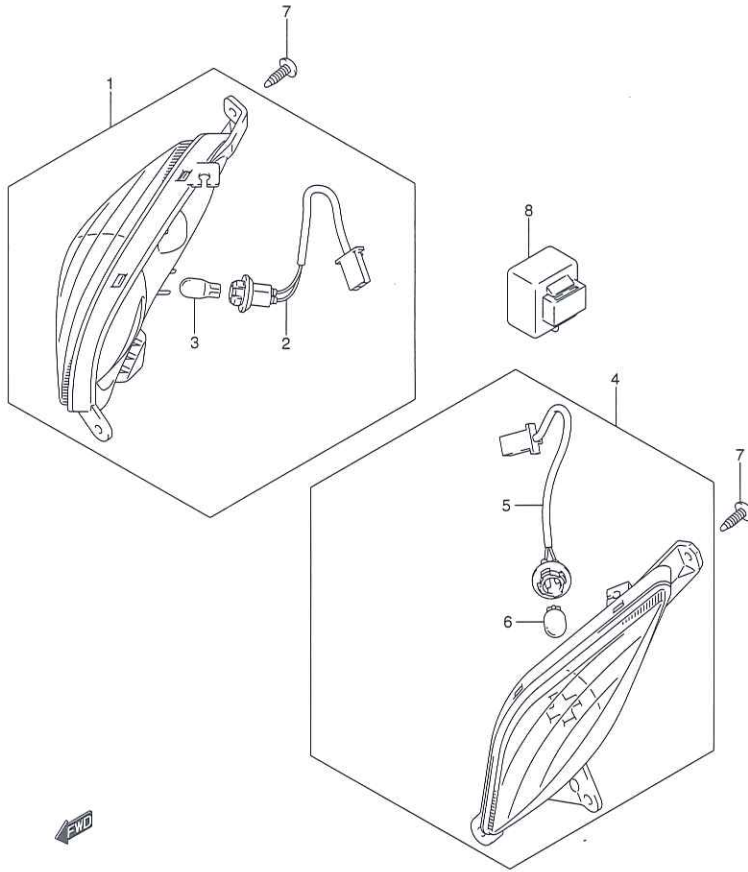


FIG. 24 FRONT TURNSIGNAL LAMP

REF NO.	PART NO.	DESCRIPTION	QTY	REMARKS
1	35601B09J00N000	LAMP ASSY, FRONT TURNSIGNAL RH	1	
2	35618B09J00N000	.HARNESS	1	
3	09471-12203-000	.BULB (12V10W)	1	
4	35602B09J00N000	LAMP ASSY, FRONT TURNSIGNAL LH	1	
5	35638B09J00N000	.HARNESS	1	
6	09471-12203-000	.BULB (12V10W)	1	
7	03541-0516A-000	SCREW	6	
8	38610B35491N001	RELAY ASSY,TURNSIGNAL	1	

4

9900BC09J00C000

4

FIG. 25

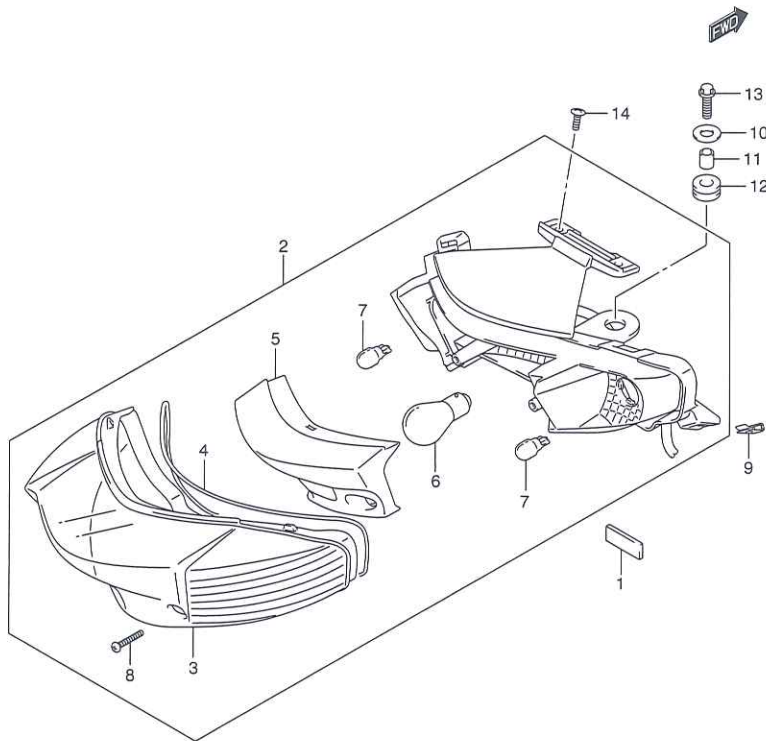


FIG. 25 REAR COMBINATION LAMP

REF NO.	PART NO.	DESCRIPTION	QTY	REMARKS
1	33652B32G20N000	CUSHION, REAR COMBINATION LAMP	2	
2	35710B09J00N000	LAMP ASSY, REAR COMBINATION	1	
3	35712B09J00N000	.LENS	1	
4	35713B09J00N000	.GASKET LENS	1	
5	35719B09J00N000	.INNER LENS	1	
6	09471-12119-000	.BULB (12V18/5W)	1	
7	09471-12203-000	.BULB (12V10W)	2	
8	03211-0420A-000	.SCREW	2	
9	09148-05038-000	NUT	2	
10	09160-06028-000	WASHER (6.5X18X1)	2	
11	09180-06350-000	SPACER (6.5X9X9.5)	2	
12	09320-09016-000	CUSHION	2	
13	01547-0620A-000	BOLT	2	
14	03541-0412A-000	SCREW	2	

FIG. 26

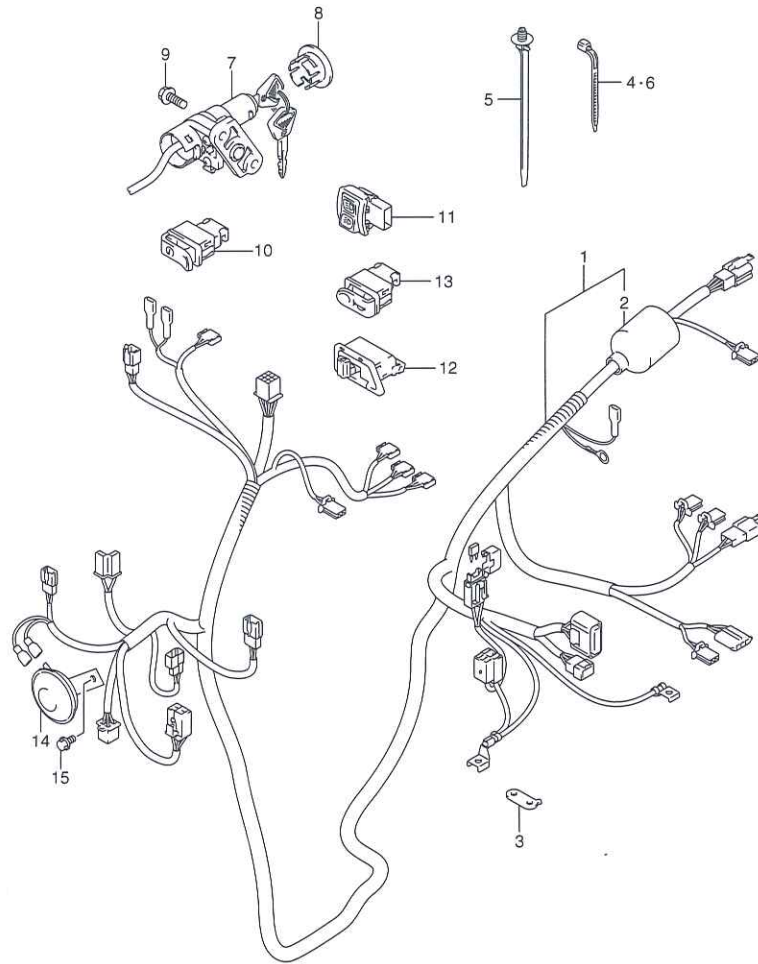


FIG. 26 WIRING HARNESS

REF NO.	PART NO.	DESCRIPTION	QTY	REMARKS
1	36610B09J00N000	HARNESS, WIRING	1	
2	36618B09J00N000	.BOOT, WIRING HARNESS	1	
3	36672B09J00N000	BRACKET, LEAD WIRE	1	
4	09407-14403L000	CLAMP,WIRING HARNESS	2	
5	09407B17403N000	CLAMP (L:154)	1	
6	09407-18402-000	CLAMP (L:165)	5	
7-1	37019B09G60N000	LOCK SET,STEERING	1	
7-2	37100-09G61-000	LOCK ASSY,STEERING	1	
8	37155-31C20-000	CAP, STEERING LOCK	1	
9	01550-0616A-000	BOLT	2	
10	37310-09G40-000	SWITCH ASSY, STARTER	1	MINDA
11	37420-09G21-000	SWITCH ASSY, DIMMER	1	MINDA
12	37510B10E30N000	SWITCH ASSY, TURNSIGNAL	1	MINDA
13	37520-09G30-000	SWITCH ASSY, HORN	1	
14	38500B09G11N000	HORN ASSY	1	
15	01550-0612B-000	BOLT	1	

4

9900BC09J00C000

FIG. 27

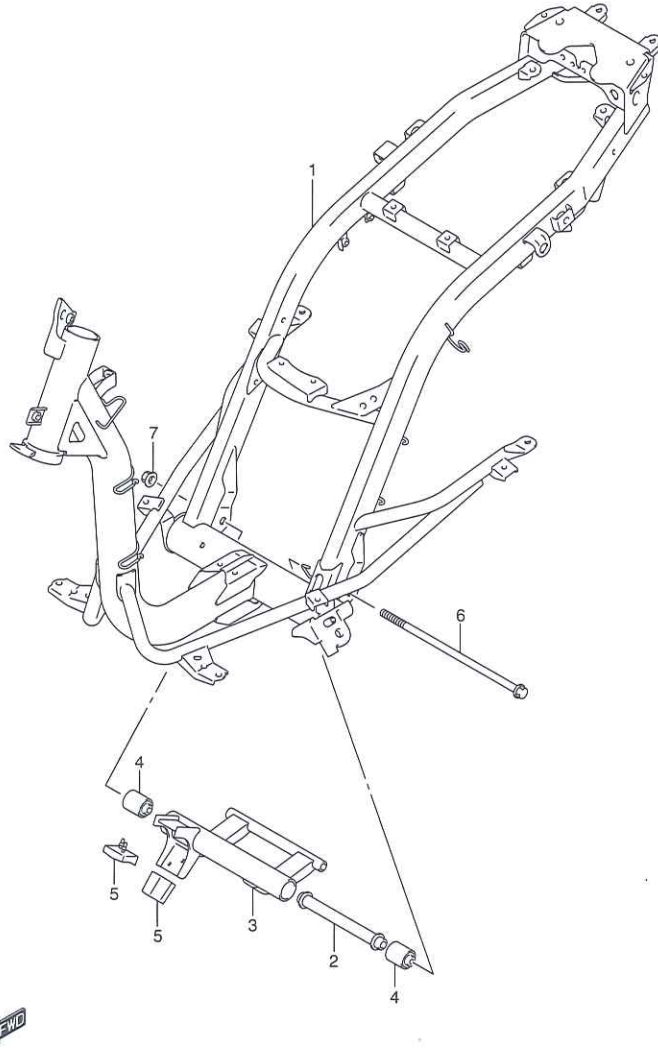


FIG. 27 FRAME

REF NO.	PART NO.	DESCRIPTION	QTY	REMARKS
1	41100B09J00N000	FRAME	1	
2	41170B09J00N000	SPACER, CRANKCASE BRACKET	1	
3	41180B09J00N000	BRACKET, CRANKCASE	1	
4	41184B09J00N000	BUSH, CRANKCASE BRACKET	2	
5	41185B09J00N000	CUSHION, SWING STOP	2	
6	09103B10449N000	BOLT (10X260)	1	
7	08319-3110A-000	NUT	1	

4

9900BC09J00C000

FIG. 28

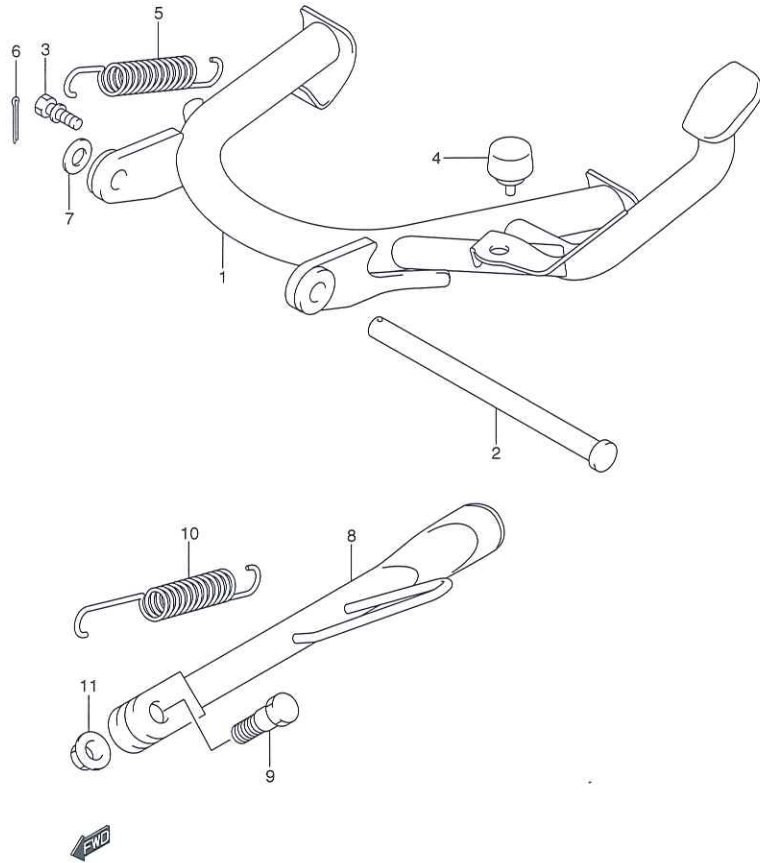


FIG. 28 STAND

REF NO.	PART NO.	DESCRIPTION	QTY	REMARKS
1	42100B09J00N000	STAND, CENTER	1	
2	42211B09J00N000	SHAFT, CENTER STAND	1	
3	42251-46G10-000	HOOK, CENTER STAND SPRING	1	
4	42272B09J00N000	CUSHION, CENTER STAND	1	
5	09443-17026-000	SPRING	1	
6	04111-3020A-000	PIN	1	
7	08322-0110B-000	WASHER	1	
8	42310B09J00N000	STAND, PROP	1	
9	42341B09G01N000	BOLT, PROP STAND	1	
10	42421B09J00N000	SPRING, PROP STAND	1	
11	08319-3110A-000	NUT	1	

4

9900BC09J00C000

39

FIG. 29

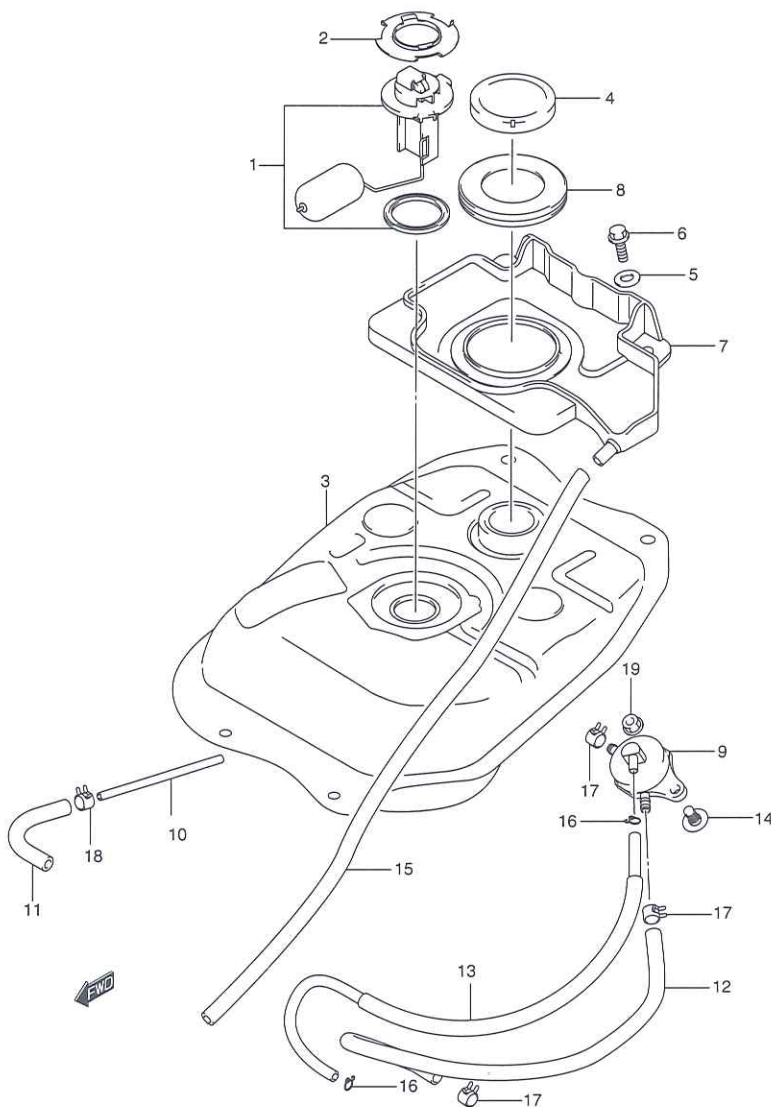


FIG. 29 FUEL TANK

REF NO.	PART NO.	DESCRIPTION	QTY	REMARKS
1	34810B09J00N000	GAUGE ASSY, FUEL LEVEL SENDER	1	
2	34886-03A00-000	PLATE, FUEL LEVEL SENDER GAUGE	1	
3	44110B09J00N000	TANK, FUEL	1	
4-1	44210B09J00N000	CAP, FUEL TANK FILLER	1	
5	44549B09J00N000	WASHER, FUEL TANK REAR	2	
6	01550-0616A-000	BOLT	2	
7	44261B09J00N000	TRAY, FUEL TANK INLET	1	
8	44261B41H10N000	RUBBER, FUEL TANK INLET	1	
9	44300-09G00-000	COCK ASSY, FUEL	1	
10	44322B09J00N000	FILTER, FUEL	1	
11	44421B09J00N000	HOSE, FUEL NO.1	1	
12	44424B09J00N000	HOSE, FUEL NO.3	1	
13	44425B09J00N000	HOSE, VACUUM	1	
14	09111-06102-000	BOLT (6X14.8)	1	
15	09352B70113N760	HOSE (7X11X2000)	1	L:2000->760
16	09401-06101-000	CLIP	2	
17	09401-09403-000	CLIP	3	
18	09401-11413-000	CLIP	1	
19	08316-1006A-000	NUT	1	

FIG. 30

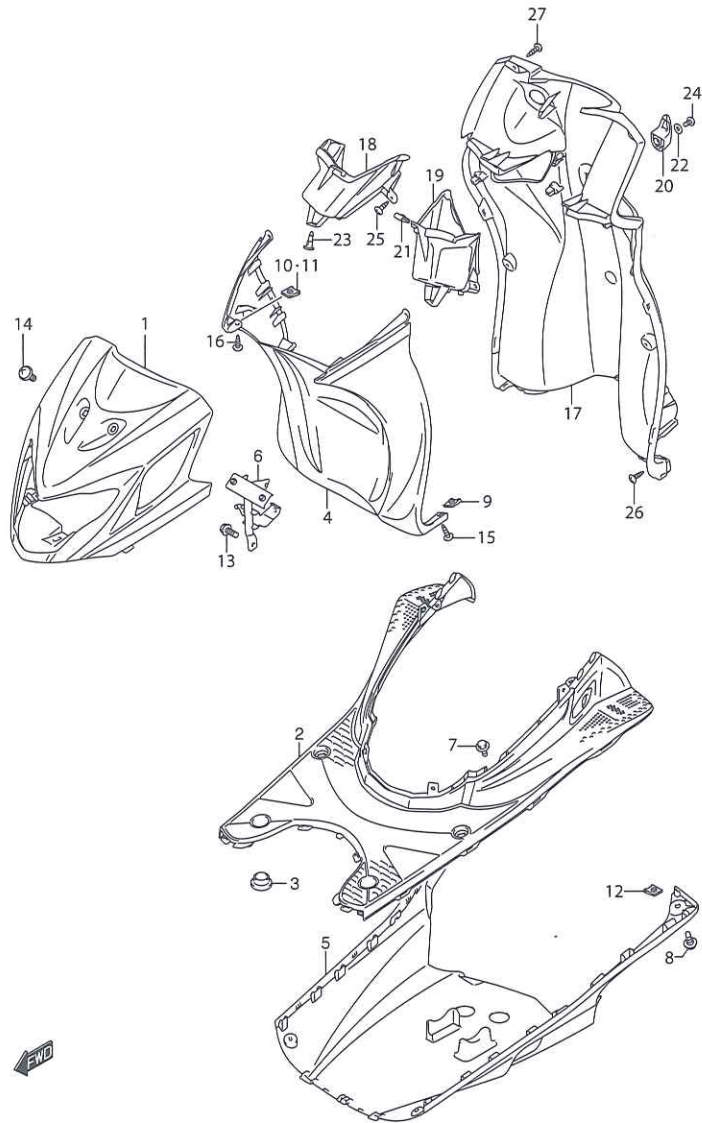


FIG. 30 LEG SHIELD

REF NO.	PART NO.	DESCRIPTION	QTY	REMARKS
1	48111B09J00N	SHIELD, LEG FRONT	1	COLOUR PART
2	48121B09J00N291	SHIELD, LEG REAR (BLACK)	1	
3	48127B09J00N000	CUSHION	1	
4	48137B09J00N291	SHIELD, LEG LOWER FRONT(BLACK)	1	
5	48138B09J00N291	SHIELD, LEG LOWER REAR (BLACK)	1	
6	48150B09J00N000	BRACE, LEG SHIELD	1	
7	09111-06102-000	BOLT (6X14.8)	4	
8	09111-06102-000	BOLT (6X14.8)	2	
9	09148B04L01N000	NUT	2	
10	09148B04L01N000	NUT	2	
11	09148B04L01N000	NUT	2	
12	09148B06017N000	NUT	2	
13	01550-0612A-000	BOLT	2	
14	51875-45H00-000	SCREW, HEAD COVER	2	
15	03541-0416B-000	SCREW	2	
16	03541-0416B-000	SCREW	2	
17	92111B09J00N291	COVER, LEG SHIELD (BLACK)	1	
18	92161B09J00N291	RACK, INNER RH (BLACK)	1	
19	92162B09J00N291	RACK, INNER LH (BLACK)	1	
20	92171-32G00-291	HOOK, LEG SHIELD (BLACK)	1	
21	09148B04L01N000	NUT	2	
22	09160-06153-000	WASHER (6.5X16X1.2)	1	
23	09409-06314-5PK	CLIP (BLACK)	2	
24	02142-0612B-000	SCREW	1	
25	03541-0416A-000	SCREW	6	
26	03541-0416A-000	SCREW	2	
27	03541-0416B-000	SCREW	6	

4

9900BC09J00C000

4

FIG. 31

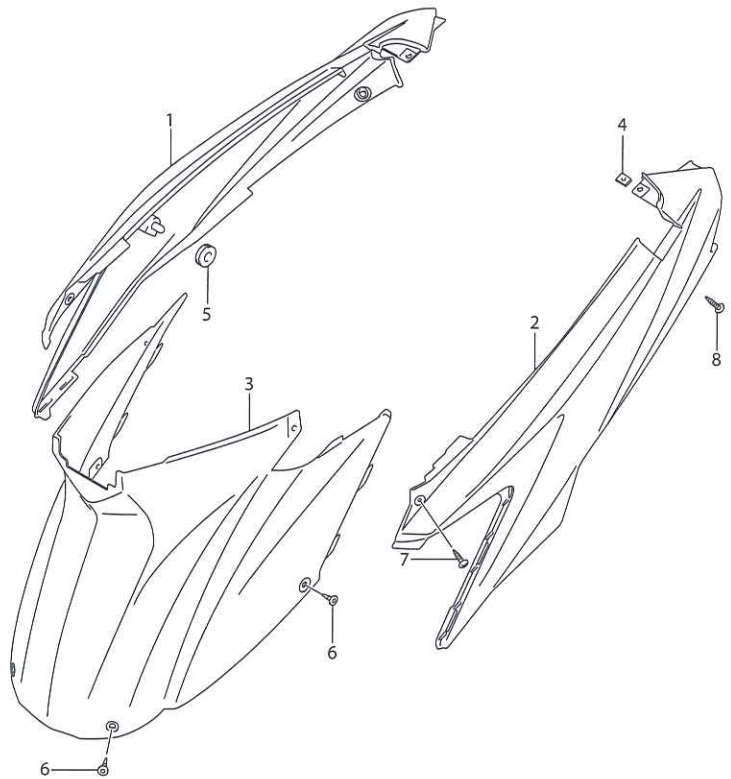


FIG. 31 FRAME COVER

REF NO.	PART NO.	DESCRIPTION	QTY	REMARKS
1	47111B09J00N	COVER, FRAME RH	1	COLOUR PART
2	47211B09J00N	COVER, FRAME LH	1	COLOUR PART
3	47131B09J00N291	COVER, FRAME FRONT (BLACK)	1	
4	09148B04L01N000	NUT	2	
5	09320-08018-000	CUSHION	2	
6	09409-06314-5PK	CLIP (BLACK)	4	
7	03541-0416A-000	SCREW	2	
8	03541-0516A-000	SCREW	2	

FIG. 32

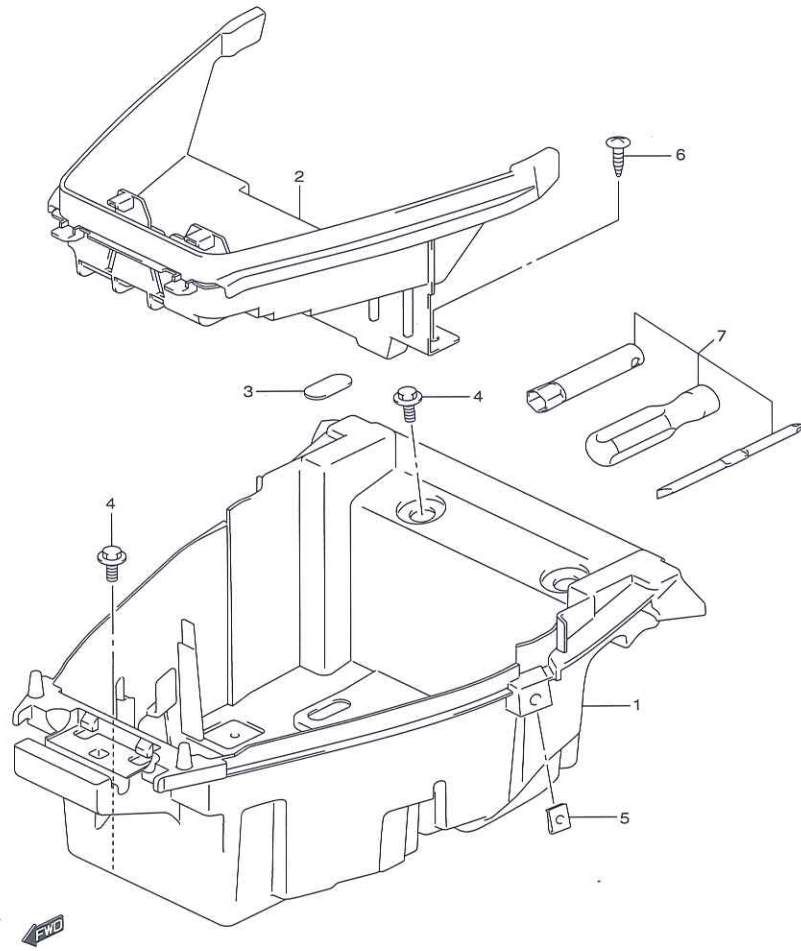


FIG. 32 LUGGAGE BOX

REF NO.	PART NO.	DESCRIPTION	QTY	REMARKS
1	92210B09J00N000	BOX, LUGGAGE	1	
2	92212B09J00N000	LID, BATTERY BOX	1	
3	92223-41H10-000	PLUG, LUGGAGE BOX	1	
4	09111B06109N000	BOLT (6X14.8)	4	
5	09148B04L01N000	NUT	2	
6	03541-0516A-000	SCREW	2	
7	96512-10J00-000	SPANNER, BOX(16)	1	

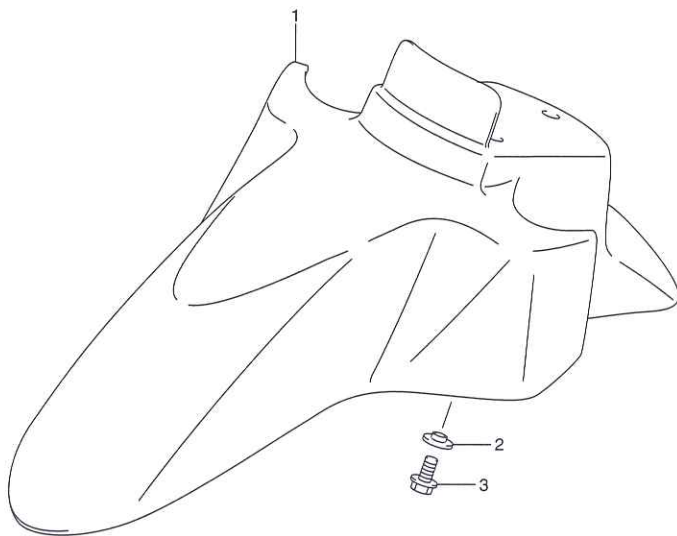
4

9900BC09J00C000

FIG. 33

FIG. 33 FRONT FENDER

REF NO.	PART NO.	DESCRIPTION	QTY	REMARKS
1	53111B09J00N	FENDER, FRONT	1	COLOUR PART
2	09169-06071-000	WASHER	3	
3	01550-0612A-000	BOLT	3	



4

9900BC09J00C000

FWD

FIG. 34

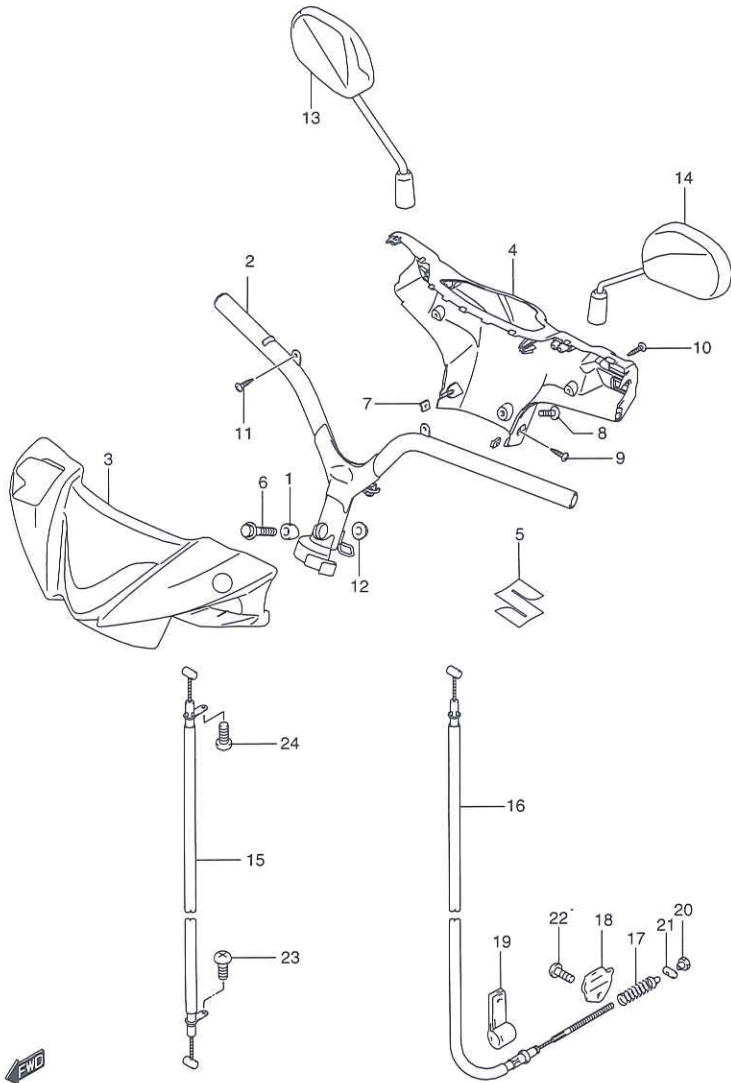


FIG. 34 HANDLE BAR

REF NO.	PART NO.	DESCRIPTION	QTY	REMARKS
1	51358-09G00T000	STOPPER, HANDLEBAR	1	
2	56110B09J00N000	HANDLEBAR	1	
3	56311B09J00N	COVER, HANDLE FRONT	1	COLOUR PART
4	56321B09J00N291	COVER, HANDLE REAR (BLACK)	1	
5-1	68281B13HA0NYUH	EMBLEM, "S" (GRAY/WHITE)	1	FOR YUH
5-2	68281B13HA0NW9E	EMBLEM, "S" (SILVER/PINK)	1	FOR W9E
5-3	68281B13HA0NPZ5	EMBLEM, "S" (SILVER/GREEN)	1	FOR PZ5
6	09103-10126-000	BOLT (10X48)	1	
7	09148-04034-000	NUT	2	
8	02142-0512B-000	SCREW	1	
9	03541-0416B-000	SCREW	2	
10	03541-0416B-000	SCREW	2	
11	03541-0516A-000	SCREW	2	
12	08319-3110A-000	NUT	1	
13	56500B09J10N000	MIRROR ASSY, REAR VIEW RH	1	
14	56600B09J10N000	MIRROR ASSY, REAR VIEW LH	1	
15	58300B09J10N000	CABLE ASSY, THROTTLE	1	
16	58510B09J10N000	CABLE, REAR BRAKE	1	
17	58562B09J00N000	SPRING, REAR BRAKE CABLE	1	
18	58575B09J00N000	PLATE, REAR BRAKE CABLE	1	
19	58577-46G30-000	CLAMP, RR BK CABLE CRKC FR	1	
20	09150-06010-000	NUT	1	
21	09209-11002-000	PIN (11X18)	1	
22	01547-0610A-000	BOLT	1	
23	02112B0510AN000	SCREW	1	
24	02112-0512A-000	SCREW	1	

4

9900BC09J00C000

FIG. 35

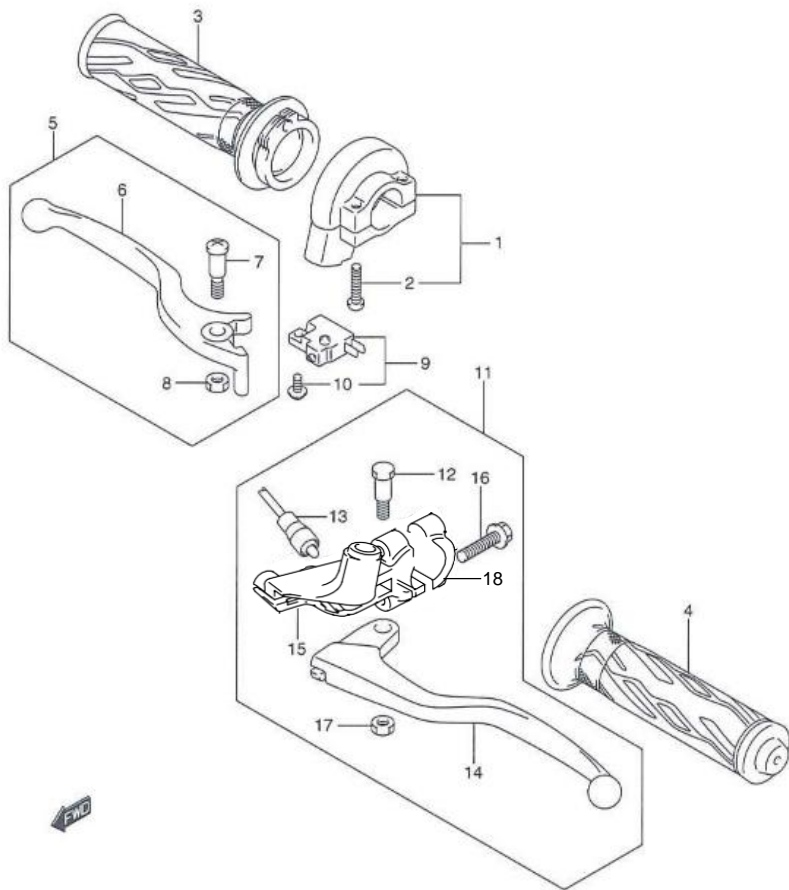


FIG. 35 HANDLE LEVER

REF NO.	PART NO.	DESCRIPTION	QTY	REMARKS
1	57100-09G11-000	CASE ASSY, THROTTLE	1	
2	02112-0520A-000	.SCREW	2	
3	57110B41H10N000	GRIP COMP,THROTTLE	1	
4	57211-41H00-000	GRIP LH	1	
5	57300B09J00N000	LEVER ASSY, BRAKE	1	
6	57421B09J00N000	.LEVER, BRAKE	1	
7	57431-29C20-000	.BOLT, BRAKE LEVER PIVOT	1	
8	08319-2106A-000	.NUT	1	
9	57460B09J00N000	SWITCH ASSY, STOP	1	
10	57465-17C00-000	.SCREW	1	
11	57500B09J10N000	LEVER ASSY, RR BRAKE & SWITCH	1	
12	57431-13H10-000	.BOLT, BRAKE LEVER PIVOT	1	
13	57470B10J10N000	.SWITCH ASSY, BRAKE	1	
14	57621B13H10N000	.LEVER, REAR BRAKE	1	
15	59671B09J10N000	.HOLDER	1	
16	01547-0625A-000	.BOLT	1	
17	08319-2106A-000	.NUT	1	
18	57511-09J20-000	HOLDER BRAKE LEVER L	1	

9900BC09J00C000

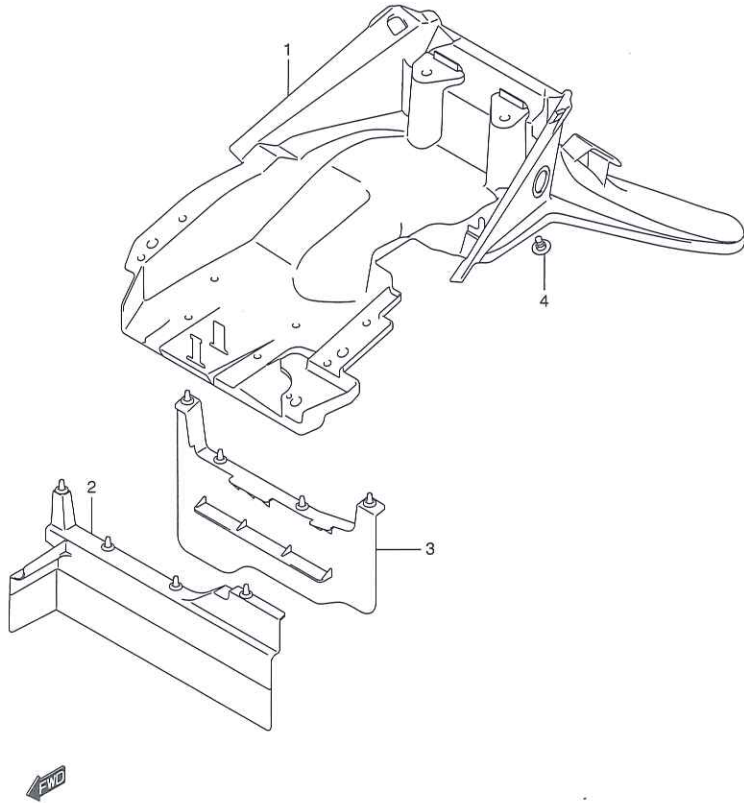
4

FINO

FIG. 36

FIG. 36 REAR FENDER

REF NO.	PART NO.	DESCRIPTION	QTY	REMARKS
1	63111B09J00N000	FENDER,REAR	1	
2	63411B09J00N000	MUDGUARD, REAR FENDER	1	
3	63412B09J00N000	MUDGUARD, REAR FENDER REAR	1	
4	09111-06106-000	BOLT (6X12)	4	



4

9900BC09J00C000

FIG. 37

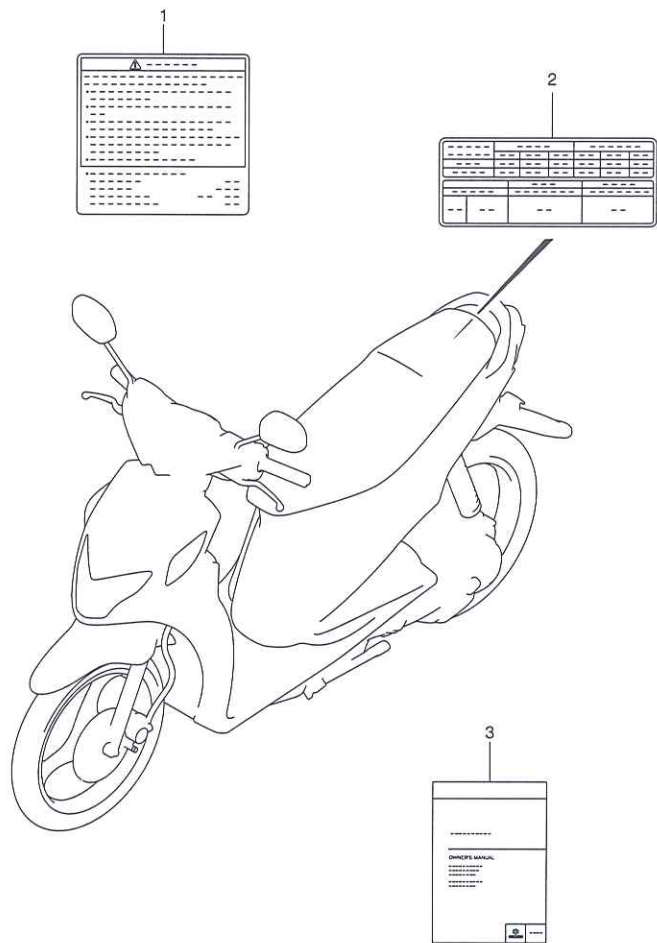


FIG. 37 LABEL

REF NO.	PART NO.	DESCRIPTION	QTY	REMARKS
1	68319B09J00N000	LABEL, GENERAL WARNING	1	
2	68332B09J30N000	LABEL, TIRE INFORMATION	1	
3	99011M09J50-08A	MANUAL, OWNER'S	1	

4

FIG. 38

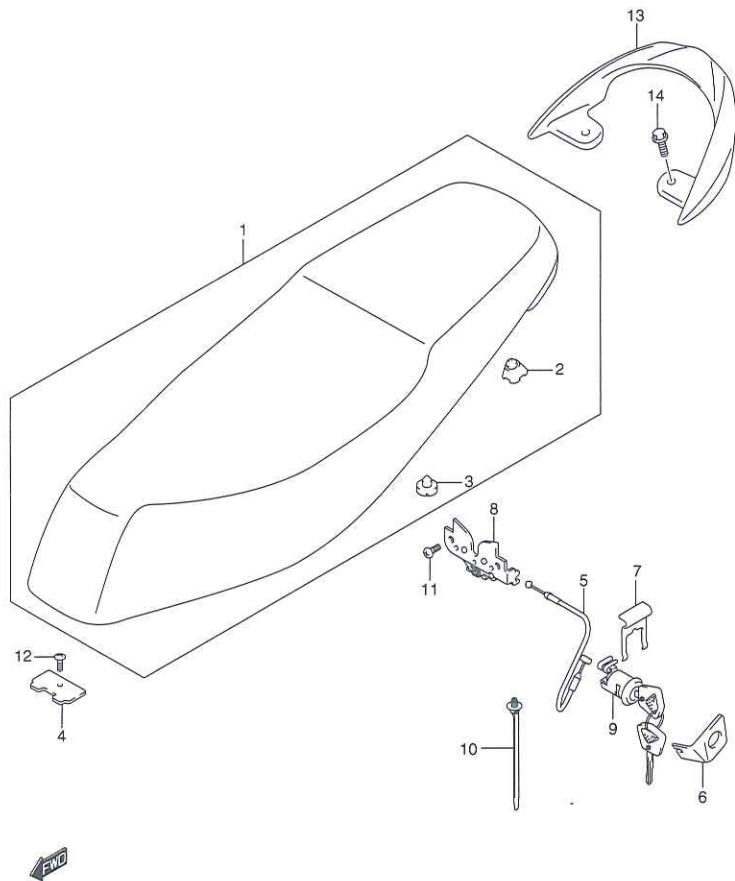


FIG. 38 SEAT

REF NO.	PART NO.	DESCRIPTION	QTY	REMARKS
1	45100B09J00NPR7	SEAT ASSY (BLACK)	1	
2	45148-13H30-000	.CUSHION, SEAT MOUNT	2	
3	45148B20G80N000	.CUSHION, SEAT MOUNT	2	
4	45271-41H00-000	PLATE, SEAT HINGE	1	
5	45280B09J00N000	CABLE, SEAT LOCK	1	
6	45288B41H00N000	GUIDE, SEAT LOCK CABLE	1	
7	45289-11F00-000	PLATE, SEAT LOCK ASSY	1	
8	45700B47G00N000	BRACKET, STRIKER SUPPORT	1	
9	95700B09G50N000	LOCK ASSY, SEAT	1	
10	09407B17403N000	CLAMP (L:154)	1	
11	02112-0610A-000	SCREW	2	
12	02142-0512A-000	SCREW	1	
13	46211B09J00N13L	HANDLE, PILLION RIDER (SILVER)	1	
14	01550-0825A-000	BOLT	2	

4

9900BC09J00C000

4

FIG. 39

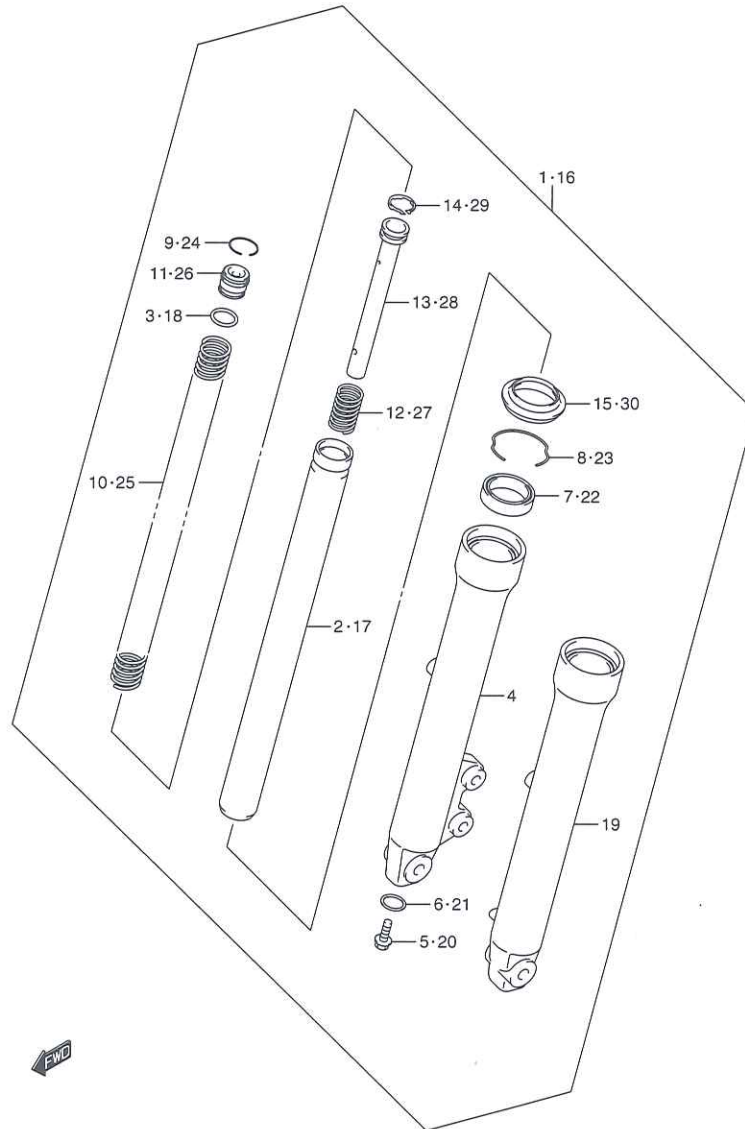


FIG. 39 FRONT FORK DAMPER

REF NO.	PART NO.	DESCRIPTION	QTY	REMARKS
1	51103B09J00N291	DAMPER ASSY, FRONT FORK RH	1	
2	51110B09J00N000	.TUBE, INNER	1	
3	51117-09G00-000	.O RING	1	
4	51131B09J00N291	.TUBE, OUTER RH	1	
5	51147-42AA0-000	.BOLT	1	
6	51148B31030N000	.GASKET	1	
7	51153-09G00-000	.OIL SEAL	1	
8	51156-09G00-000	.RING, SNAP	1	
9	51169-09G00-000	.RING, STOPPER	1	
10	51171B09J00N000	.SPRING, FRONT	1	
11	51175-09G00-000	.CAP	1	
12	51177B47E01N000	.SPRING, REBOUND	1	
13	51194B09J00N000	.CYLINDER	1	
14	51196-16H00-000	.RING, PISTON	1	
15	51571B09G00N000	.SEAL, DUST	1	
16	51104B09J00N291	DAMPER ASSY, FRONT FORK LH	1	
17	51110B09J00N000	.TUBE, INNER	1	
18	51117-09G00-000	.O RING	1	
19	51141B09J00N000	.TUBE, OUTER LH	1	
20	51147-42AA0-000	.BOLT	1	
21	51148B31030N000	.GASKET	1	
22	51153-09G00-000	.OIL SEAL	1	
23	51156-09G00-000	.RING, SNAP	1	
24	51169-09G00-000	.RING, STOPPER	1	
25	51171B09J00N000	.SPRING, FRONT	1	
26	51175-09G00-000	.CAP	1	
27	51177B47E01N000	.SPRING, REBOUND	1	
28	51194B09J00N000	.CYLINDER	1	
29	51196-16H00-000	.RING, PISTON	1	
30	51571B09G00N000	.SEAL, DUST	1	

FIG. 40

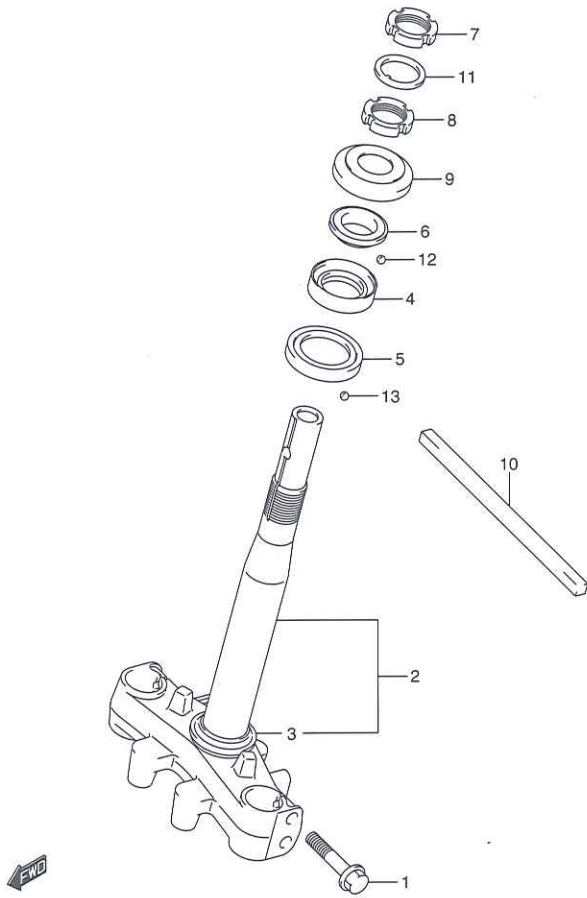


FIG. 40 STEERING STEM

REF NO.	PART NO.	DESCRIPTION	QTY	REMARKS
1	51166-41H00-000	BOLT	4	
2	51410B09J00N000	BRACKET, UNDER	1	
3	51622-41H00-000	RACE, STEERING OUTER LOWER	1	
4	51611-41H00-000	RACE, STEERING INNER UPPER	1	
5	51612-41H00-000	RACE, STEERING INNER LOWER	1	
6	51621-41H00-000	RACE, STEERING OUTER UPPER	1	
7	51631B05000N000	NUT, STEERING STEM LOCK	1	
8	51631B05000N000	NUT, STEERING STEM	1	
9	51643-06001L000	SEAL, STEERING DUST UPPER	1	
10	51645B41H00N000	CUSHION, DUST COVER LOWER	1	
11	09166-24001-000	WASHER (24.5X34X2.3)	1	
12	06111-06003-000	BALL	23	
13	06111-06003-000	BALL	28	

4

9900BC09J00C000

4

FIG. 41

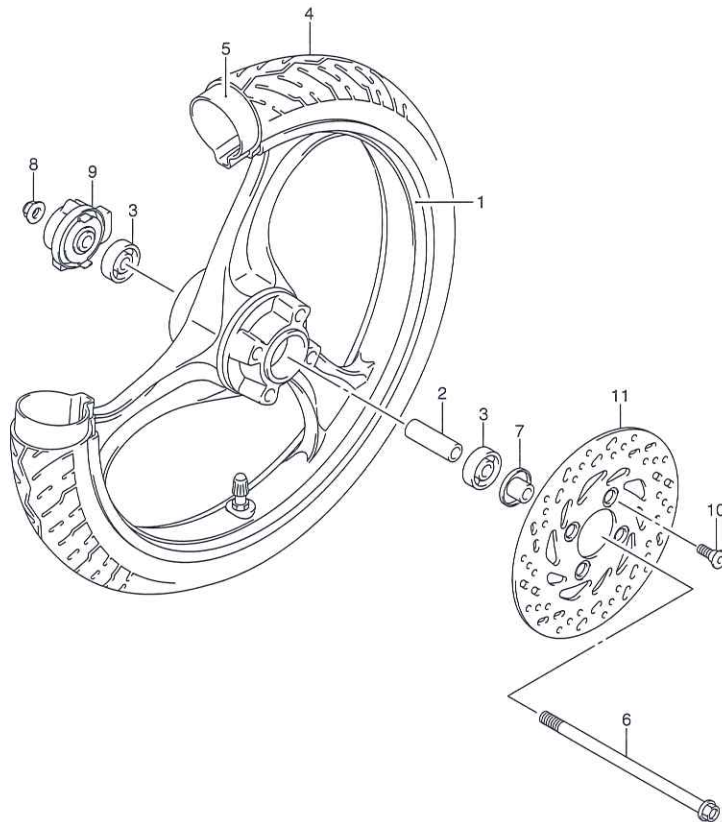


FIG. 41 FRONT WHEEL

REF NO.	PART NO.	DESCRIPTION	QTY	REMARKS
1	54111B09J00N291	WHEEL, FRONT (14X1.40) (BLACK)	1	
2	09180-10148-000	SPACER (10.1X16X51)	1	
3	08123-63007-000	BEARING	2	
4	55110-27J00-000	TIRE, FRONT (70/90-14M/C 34P)	1	
5	55200-46G00-000	TUBE ASSY, WHEEL INNER	1	
6	54711-04701-000	AXLE, FRONT	1	
7	54750-46100-000	SPACER, FRONT AXLE, RH	1	
8	08319-3110A-000	NUT	1	
9	54600B09J00N000	BOX ASSY, SPEEDOMETER GEAR	1	
10	59218B09G10N000	BOLT, FRONT BRAKE DISC	4	
11	59221B09J00N000	DISC, FRONT BRAKE	1	

FWD

FIG. 42

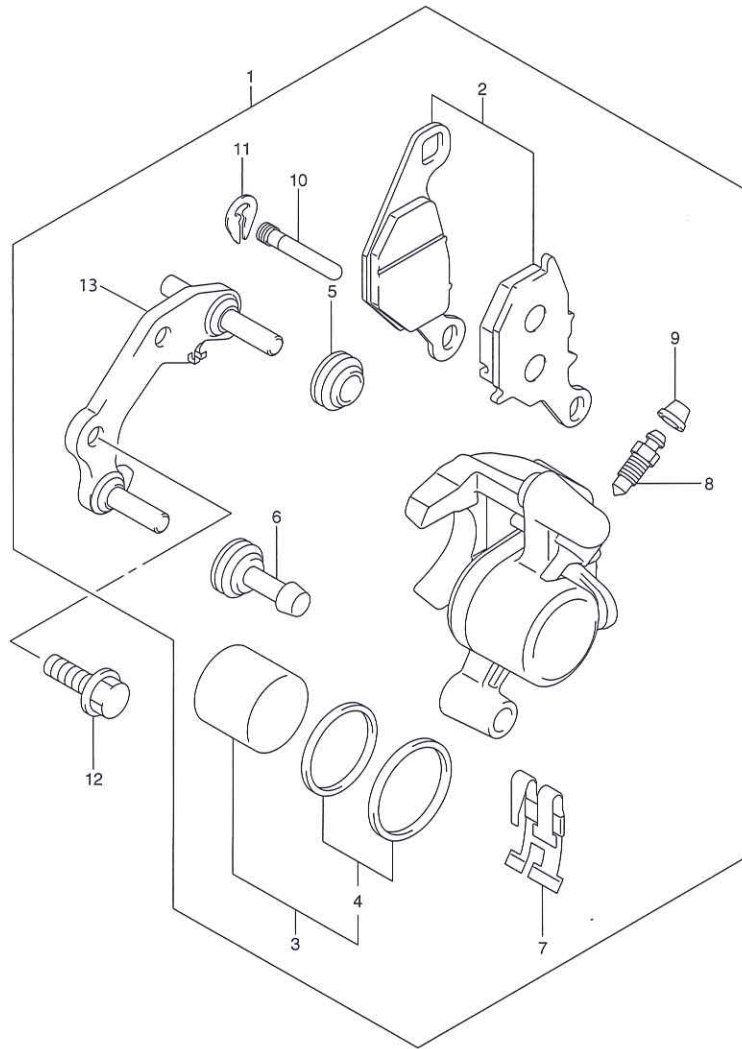


FIG. 42 FRONT CALIPER

REF NO.	PART NO.	DESCRIPTION	QTY	REMARKS
1	59300B09J00N000	CALIPER ASSY, FRONT	1	
2	59101B09810N000	.PAD SET	1	
3	59301B09810N000	.PISTON SET	1	
4	59300B10810N000	..SEAL SET	1	
5	59312B09J00N000	.BOOT	1	
6	59313B09J00N000	.BUSH	1	
7	59315B09J00N000	.SPRING	1	
8	59321B09J00N000	.BLEEDER	1	
9	59322B09J00N000	.CAP	1	
10	59335B09J00N000	.PIN	1	
11	59336B09J00N000	.U RETAINING RING	1	
12	01550-0825A-000	BOLT	2	

4

9900BC09J00C000

4

FIG. 43

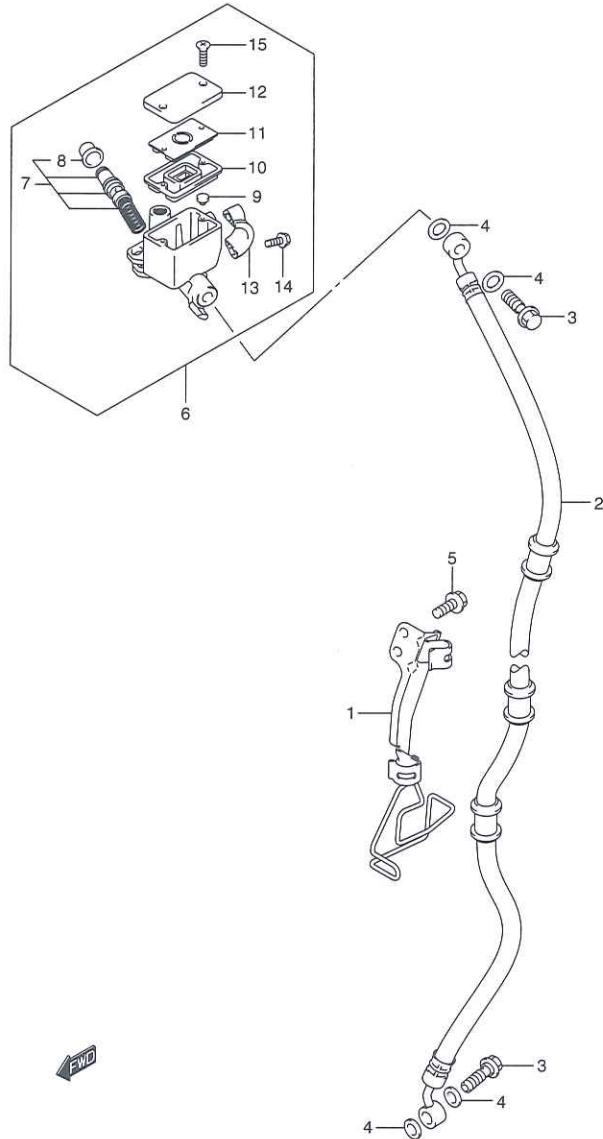


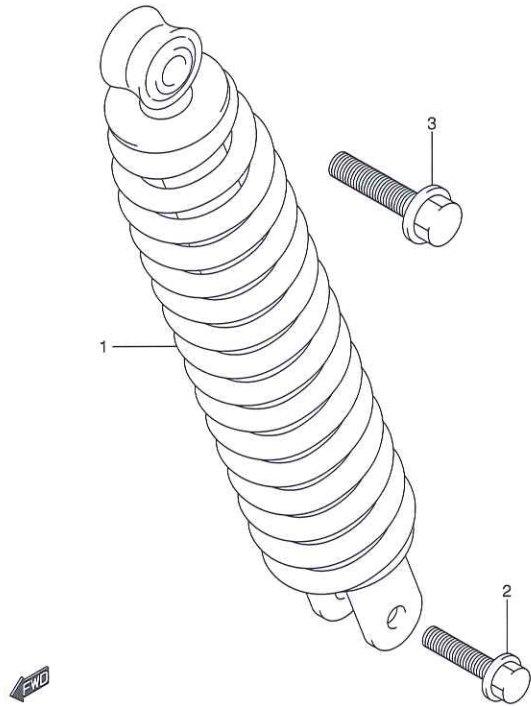
FIG. 43 FRONT MASTER CYLINDER

REF NO.	PART NO.	DESCRIPTION	QTY	REMARKS
1	59260B09J00N000	CLAMP, FR BRAKE HOSE	1	
2	59480B09J00N000	HOSE, FRONT BRAKE	1	
3	59492B09J00N000	BOLT, BRAKE FLUID	2	
4	59502B09J00N000	WASHER, BRAKE FLUID	4	
5	01547-0612B-000	BOLT	2	
6	59600B09J00N000	CYLINDER ASSY, FRONT MASTER	1	
7	59600B09810N000	.PISTON & CUP SET	1	
8	59666B09J00N000	..BOOT	1	
9	59664B09J00N000	.PROTECTOR	1	
10	59667B09J00N000	.DIAPHRAGM	1	
11	59668B09J00N000	.PLATE, DIAPHRAGM	1	
12	59669B09J00N000	.CAP	1	
13	59671B09J00N000	.HOLDER	1	
14	59675B09J00N000	.BOLT, HOLDER	2	
15	59691B09J00N000	.SCREW, CAP	2	

FIG. 44

FIG. 44 REAR SHOCK ABSORBER

REF NO.	PART NO.	DESCRIPTION	QTY	REMARKS
1	62100B09J00N019	ABSORBER ASSY,REAR SHOCK(BLACK)	1	
2	01550-0835A-000	BOLT	1	LOWER
3	01550B1040AN000	BOLT	1	UPPER



4

9900BC09J00C000

55

4

FIG. 45

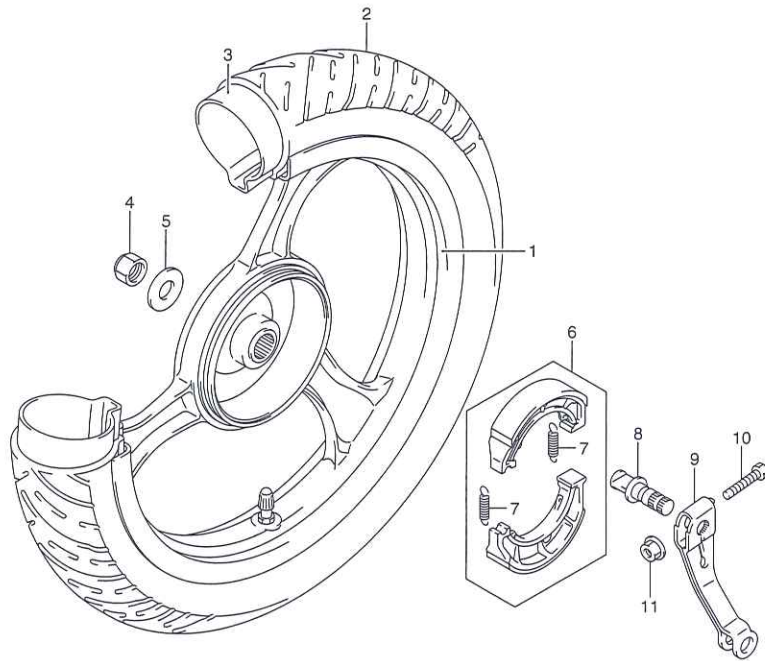


FIG. 45 REAR WHEEL

REF NO.	PART NO.	DESCRIPTION	QTY	REMARKS
1	64150B09J00N291	WHEEL, REAR (14X1.60) (BLACK)	1	
2	65110-27J00-000	TIRE, REAR (80/90-14M/C 46P)	1	
3	65200-46G00-000	TUBE ASSY, WHEEL INNER	1	
4	09159-16020-000	NUT	1	
5	09160-16051-000	WASHER (16.1X36X3.8)	1	
6	64400B09J00N000	SHOE SET, REAR BRAKE	1	
7	55421B20E00N000	.SPRING, REAR BRAKE SHOE	2	
8	64440B09J00N000	CAM, REAR BRAKE	1	
9	64451B09J00N000	LEVER, REAR BRAKE CAM	1	
10	09100B06139N000	BOLT (6X31)	1	
11	08316-1006A-000	NUT	1	



FIG. 46



FIG. 46 TAPE SET

REF NO.	PART NO.	DESCRIPTION	QTY	REMARKS
	68000B09J00NYUH	TAPE SET ,FLOWER PATTERN B. WHITE	1	
	68000B09J00NPZ5	TAPE SET ,FLOWER FRASH GREEN	1	
	68000B09J00NW9E	TAPE SET ,FLOWER SAKURA PINK	1	
1-1	68281B13HA0NPZ5	EMBLEM, "S" (SILVER/GREEN)	1	
1-2	68281B13HA0NW9E	EMBLEM, "S" (SILVER/PINK)	1	
1-3	68281B13HA0NYUH	EMBLEM, "S" (GRAY/WHITE)	1	
2-1	68646B09J00NPZ5	TAPE, LEG FRONT UPPER (GREEN)	1	
2-2	68646B09J00NW9E	TAPE, LEG FRONT UPPER (PINK)	1	
2-3	68646B09J00NYUH	TAPE, LEG FRONT UPPER (WHITE)	1	
3R-1	68645B09J00NPZ5	TAPE, LEG FRONT RH (GREEN)	1	
3R-2	68645B09J00NW9E	TAPE, LEG FRONT RH (PINK)	1	
3R-3	68645B09J00NYUH	TAPE, LEG FRONT RH (WHITE)	1	
3L-1	68655B09J00NPZ5	TAPE, LEG FRONT LH (GREEN)	1	
3L-2	68655B09J00NW9E	TAPE, LEG FRONT LH (PINK)	1	
3L-3	68655B09J00NYUH	TAPE, LEG FRONT LH (WHITE)	1	
4R-1	68135B09J00NPZ5	TAPE, FRAME COVER RH (GREEN)	1	
4R-2	68135B09J00NW9E	TAPE, FRAME COVER RH (PINK)	1	
4R-3	68135B09J00NYUH	TAPE, FRAME COVER RH (WHITE)	1	
4L-1	68145B09J00NPZ5	TAPE, FRAME COVER LH (GREEN)	1	
4L-2	68145B09J00NW9E	TAPE, FRAME COVER LH (PINK)	1	
4L-3	68145B09J00NYUH	TAPE, FRAME COVER LH (WHITE)	1	

4

PART NO.	FIG. NO. REF.NO.	PART NO.	FIG. NO. REF.NO.	PART NO.	FIG. NO. REF.NO.
00000		01550B1040AN000	11 - 5	08110-60020-000	16 - 6
		01550B1040AN000	44 - 3	08110-62030-000	16 - 7
		02112-05107-000	9 - 27	08110-62030-000	16 - 16
		02112-0510A-000	1 - 8	08113-62017-000	16 - 8
		02112-0512A-000	19 - 5	08113-62027-000	16 - 9
01421-0616A-000	11 - 4	02112-0512A-000	19 - 6	08123-63007-000	41 - 3
01547-0610A-000	34 - 22	02112-0512A-000	34 - 24	08310-0010A-000	15 - 25
01547-0612A-000	5 - 10	02112-0516A-000	22 - 14	08316-1006A-000	11 - 6
01547-0612B-000	43 - 5	02112-0520A-000	35 - 2	08316-1006A-000	29 - 19
01547-0616A-000	12 - 14	02112-0610A-000	38 - 11	08316-1006A-000	45 - 11
01547-0616A-000	14 - 10	02112-0612A-000	7 - 3	08316-1008A-000	2 - 7
01547-0620A-000	8 - 8	02112-0612A-000	21 - 3	08316B1010AN000	4 - 15
01547-0620A-000	10 - 15	02112-1625A-000	13 - 12	08316B1010AN000	19 - 7
01547-0620A-000	14 - 11	02112-3406A-000	18 - 5	08319-2106A-000	35 - 8
01547-0620A-000	19 - 4	02112-35127-000	9 - 38	08319-2106A-000	35 - 17
01547-0620A-000	21 - 6	02112-3516A-000	18 - 6	08319-3110A-000	27 - 7
01547-0620A-000	25 - 13	02112B0510AN000	34 - 23	08319-3110A-000	28 - 11
01547-0625A-000	2 - 13	02112B0625AN000	13 - 9	08319-3110A-000	34 - 12
01547-0625A-000	4 - 12	02122-0616A-000	16 - 18	08319-3110A-000	41 - 8
01547-0625A-000	5 - 7	02142-0512A-000	38 - 12	08322-0110B-000	28 - 7
01547-0625A-000	5 - 20	02142-0512B-000	34 - 8	08331-3114A-000	17 - 6
01547-0625A-000	12 - 5	02142-0612A-000	22 - 15	08331-31249-000	16 - 13
01547-0625A-000	35 - 16	02142-0612B-000	30 - 24	08341-31039-000	19 - 8
01547-0630A-000	4 - 29	03211-0420A-000	25 - 8	09100B06139N000	45 - 10
01547-0630A-000	18 - 9	03541-0412A-000	25 - 14	09103-06247-000	8 - 4
01547-0655A-000	4 - 7	03541-0416A-000	30 - 25	09103-06501-000	2 - 4
01547-0660A-000	5 - 21	03541-0416A-000	30 - 26	09103-10126-000	34 - 6
01547-0670A-000	5 - 8	03541-0416A-000	31 - 7	09103B10084N000	4 - 14
01547-0680A-000	12 - 8	03541-0416B-000	30 - 15	09103B10449N000	27 - 6
01547B0695AN000	4 - 8	03541-0416B-000	30 - 16	09106-05028-000	7 - 22
01550-0612A-000	13 - 2	03541-0416B-000	30 - 27	09108-08272-000	3 - 3
01550-0612A-000	30 - 13	03541-0416B-000	34 - 9	09111-06102-000	29 - 14
01550-0612A-000	33 - 3	03541-0416B-000	34 - 10	09111-06102-000	30 - 7
01550-0612B-000	26 - 15	03541-0516A-000	5 - 18	09111-06102-000	30 - 8
01550-0616A-000	11 - 10	03541-0516A-000	13 - 10	09111-06106-000	36 - 4
01550-0616A-000	26 - 9	03541-0516A-000	13 - 13	09111B06109N000	32 - 4
01550-0616A-000	29 - 6	03541-0516A-000	22 - 10	09119B06120N000	1 - 6
01550-0812A-000	4 - 17	03541-0516A-000	24 - 7	09136-05051-000	23 - 9
01550-0812A-000	4 - 19	03541-0516A-000	31 - 8	09140-12037-000	17 - 9
01550-0812A-000	4 - 21	03541-0516A-000	32 - 6	09148-04034-000	34 - 7
01550-0812A-000	4 - 23	03541-0516A-000	34 - 11	09148-05038-000	25 - 9
01550-0812A-000	4 - 25	03541-0525A-000	10 - 13	09148B04L01N000	30 - 9
01550-0825A-000	38 - 14	04111-3020A-000	28 - 6	09148B04L01N000	30 - 10
01550-0825A-000	42 - 12	06111-06003-000	40 - 12	09148B04L01N000	30 - 11
01550-0835A-000	44 - 2	06111-06003-000	40 - 13	09148B04L01N000	30 - 21

PART NO.	FIG. NO. REF.NO.	PART NO.	FIG. NO. REF.NO.	PART NO.	FIG. NO. REF.NO.
09148B04L01N000	31 - 4	09280B08L01N000	16 - 4	10000	
09148B04L01N000	32 - 5	09280B1301N000	12 - 13		
09148B06017N000	30 - 12	09280B26011N000	2 - 12		
09150-06010-000	34 - 20	09283-14L05-000	17 - 5		
09159-16020-000	45 - 4	09283B16L01N000	6 - 11		
09160-06028-000	10 - 14	09283B17L02N000	16 - 5	11110B09J00N000	2 - 1
09160-06028-000	11 - 7	09283B22L02N000	6 - 12	11141B09J00N000	2 - 3
09160-06028-000	25 - 10	09283B27L02N000	16 - 15	11170B09J00N000	1 - 1
09160-06129-000	13 - 6	09289B05L01N000	7 - 16	11173B09J00N000	1 - 2
09160-06153-000	30 - 22	09320-07014-000	14 - 8	11176B09J00N000	1 - 3
09160-08164-000	2 - 5	09320-08018-000	31 - 5	11177B09J00N000	1 - 4
09160-14053-000	17 - 4	09320-08051-000	11 - 9	11191B27E40N000	1 - 5
09160-16051-000	45 - 5	09320-09016-000	13 - 8	11210B09J00N0F0	3 - 1
09164-10012-000	7 - 9	09320-09016-000	25 - 12	11241B09J00N000	3 - 2
09164-12020-000	17 - 10	09352B70113N760	29 - 15	11310B09J00N000	4 - 1
09166-24001-000	40 - 11	09381-10004-000	2 - 2	11315B09J00N000	4 - 2
09168-06004-000	8 - 5	09381-24L02-000	15 - 22	11315B09J00N000	4 - 4
09168-08016-000	4 - 16	09381B13001N000	6 - 4	11316B09J00N000	4 - 5
09168-08016-000	4 - 18	09401-06101-000	29 - 16	11320B09J00N000	4 - 3
09168-08016-000	4 - 20	09401-09403-000	29 - 17	11323B09J00N000	4 - 9
09168-08016-000	4 - 22	09401-11101-000	10 - 11	11324B09J00N000	4 - 10
09168-08016-000	4 - 24	09401-11413-000	29 - 18	11340B09J00N000	5 - 1
09169-06071-000	33 - 2	09401-13409-000	10 - 7	11344-13H00-000	5 - 2
09180-06256-000	11 - 8	09401-15101-000	14 - 9	11345-13H10-000	5 - 3
09180-06307-000	5 - 17	09402-44208-000	10 - 12	11346B09J00-000	5 - 9
09180-06307-000	13 - 7	09407-11401-000	22 - 13	11347B09J00N000	5 - 4
09180-06350-000	25 - 11	09407-14403L000	26 - 4	11362B09J00N000	4 - 13
09180-10148-000	41 - 2	09407-18402-000	26 - 6	11381B09J00N000	5 - 11
09180B06268N000	5 - 16	09407B17403N000	26 - 5	11382B09J00N000	5 - 12
09206-08008-000	1 - 7	09407B17403N000	38 - 10	11383B09J00N000	5 - 13
09206-08008-000	4 - 11	09409-06314-5PK	30 - 23	11384B09J00N000	5 - 14
09206-08008-000	4 - 28	09409-06314-5PK	31 - 6	11385B09J00N000	5 - 19
09206-08008-000	5 - 6	09443-17026-000	28 - 5	11386B09J00N000	5 - 15
09206-08008-000	7 - 23	09471-12028-000	23 - 6	11431B09J00N000	4 - 26
09206-10016-000	2 - 6	09471-12028L000	23 - 7	11482B09J00N000	5 - 5
09206-10016-000	3 - 4	09471-12077-000	22 - 9	11484B09J00N000	4 - 27
09206B10014N000	4 - 6	09471-12092-000	22 - 8	11971B09J00N000	4 - 30
09209-11002-000	34 - 21	09471-12119-000	25 - 6	12111B09J00N050	6 - 1-2
09261-05005-000	7 - 24	09471-12203-000	24 - 3	12111B09J00N0F0	6 - 1-1
09262-22036-000	16 - 14	09471-12203-000	24 - 6	12140B09J00N050	6 - 2-2
09262-35088-000	6 - 10	09471-12203-000	25 - 7	12140B09J00N0F0	6 - 2-1
09262B12018N000	15 - 20	09482B00621N000	2 - 8	12151B09J00N000	6 - 3
09263B17042N000	15 - 21	09491-23012-000	9 - 36	12161B09J00N0B0	6 - 7
09263B25070N0B0	6 - 9	09492-12012-000	9 - 37	12211B09J00N000	6 - 8
09280-17003-000	4 - 31			12220B09J00N000	6 - 5

5

9900BC09J00C000



PART NO.	FIG. NO. REF.NO.	PART NO.	FIG. NO. REF.NO.	PART NO.	FIG. NO. REF.NO.	PART NO.	FIG. NO. REF.NO.	PART NO.	FIG. NO. REF.NO.	PART NO.	FIG. NO. REF.NO.
12260B09J00N000	6 - 6	13421B41H00N000	9 - 19	17121B09J00N000	13 - 3	24150B09J00N000	16 - 3	34173B09J00N000	22 - 5	42100B09J00N000	28 - 1
12710B09J00N000	7 - 1	13481B45H00N000	9 - 20	17122B09J00N000	13 - 4	24371B09J00N000	16 - 12	34186B09J00N000	22 - 6	42211B09J00N000	28 - 2
12725-20G00-000	7 - 17	13500B36H10N000	9 - 39	17123B09J00N000	13 - 5	24751-07900-000	16 - 17	34382B09J00N000	22 - 7	42251-46G10-000	28 - 3
12741B09J00N000	7 - 18	13502B36H10N000	9 - 21	17130B09J00N000	13 - 11	26200B09J00N000	17 - 7	34810B09J00N000	29 - 1	42272B09J00N000	28 - 4
12760B09J00N000	8 - 1	13529-98010-000	9 - 22	18450B41H00N000	14 - 1	26210B09J00N000	17 - 1	34886-03A00-000	29 - 2	42310B09J00N000	28 - 8
12771B09J00N000	8 - 2	13573B36H10N000	9 - 23	18461B09J00N000	14 - 2	26212B46G00N000	17 - 2	34910B45H20N000	22 - 11	42341B09G01N000	28 - 9
12811B09J00N000	8 - 3	13575-29G00-000	9 - 24	18510B09J00N000	14 - 3	26213B09J00N000	17 - 3	34930B09J00N000	22 - 12	42421B09J00N000	28 - 10
12830B32G02N000	8 - 6	13580B09J00N000	9 - 25	18531B09J00N000	14 - 4	26231-33G00-000	17 - 8	35100B09J00N000	23 - 1	44110B09J00N000	29 - 3
12837B46G10N000	8 - 7	13602-05088-000	9 - 26	18630B09J00N000	14 - 5	26300B09J00N000	17 - 11	35121B09J00N000	23 - 2	44210B09J00N000	29 - 4-1
12840B09J00N000	7 - 4	13602-42A20-000	9 - 28	18711B09J00N000	14 - 6	26314-33G00-000	17 - 12	35171B09J00N000	23 - 3	44261B09J00N000	29 - 7
12842B09J00N000	7 - 5	13605-20C00-000	9 - 29	18762B09J00N000	14 - 7	27601B09J00N000	15 - 26	35187B10J00N000	23 - 4	44261B41H10N000	29 - 8
12843-27A00-000	7 - 6	13605B09J00N000	9 - 30					35194-23F00-000	23 - 8	44300-09G00-000	29 - 9
12861B09J00N000	7 - 7	13614B88J00N000	9 - 31					35328B10J00N000	23 - 5	44322B09J00N000	29 - 10
12862B09J00N000	7 - 2	13672B09J00N000	9 - 32					35601B09J00N000	24 - 1	44421B09J00N000	29 - 11
12871B09J00N000	7 - 8	13683B09J00N000	9 - 33					35602B09J00N000	24 - 4	44424B09J00N000	29 - 12
12911B09J00N000	7 - 10	13684B09J00N000	9 - 34					35618B09J00N000	24 - 2	44425B09J00N000	29 - 13
12912B09J00N000	7 - 11	13686B09J00N000	9 - 35					35638B09J00N000	24 - 5	44549B09J00N000	29 - 5
12921B09J00N000	7 - 12	13692B09J00N000	9 - 40					35710B09J00N000	25 - 2	45100B09J00NPR7	38 - 1
12931-09G00-000	7 - 13	13700B09J00N000	10 - 1	20000		30000		35712B09J00N000	25 - 3	45148-13H30-000	38 - 2
12932-09G00-000	7 - 14	13740B09J00N000	10 - 2					35713B09J00N000	25 - 4	45148B20G80N000	38 - 3
12933-09G00-000	7 - 15	13746B09J00N000	10 - 3	21111B09J00N000	15 - 6	31100B09J00N000	18 - 1	35719B09J00N000	25 - 5	45271-41H00-000	38 - 4
12950B09J00N000	7 - 19	13746B09J00N000	10 - 4	21113B09J00N000	15 - 7	31130B32G00N000	18 - 7	36610B09J00N000	26 - 1	45280B09J00N000	38 - 5
12954-09G10-000	7 - 20	13780B09J00N000	10 - 5	21114B09J00N000	15 - 8	31131B09J00N000	18 - 10	36618B09J00N000	26 - 2	45288B41H00N000	38 - 6
12955-33G00-000	7 - 21	13850B09J00N000	10 - 6	21120B09J00N000	15 - 1	31135-19D00-000	18 - 2	36672B09J00N000	26 - 3	45289-11F00-000	38 - 7
13110B09J00N000	2 - 9	13871-10J00-000	10 - 8	21125B09J00N000	15 - 2	31156B32G00N000	18 - 3	37019B09G60N000	26 - 7-1	45700B47G00N000	38 - 8
13121B09J00N000	2 - 10	13881B09J00N000	10 - 9	21200B09J00N000	15 - 9	31157B32G00N000	18 - 4	37100-09G61-000	26 - 7-2	46211B09J00N13L	38 - 13
13170B09J00N000	2 - 11	13891B09J00N000	10 - 10	21210B09J00N000	15 - 10	31370B32G00N000	18 - 8	37155-31C20-000	26 - 8	47111B09J00N	31 - 1
13200B09J00N000	9 - 1	14181B30A20N000	11 - 1	21220B09J00N000	15 - 23	31497-45000-000	19 - 1	37310-09G40-000	26 - 10	47131B09J00N291	31 - 3
13240-47E00-000	9 - 2	14310B09J00N000	11 - 2	21223B09J00N000	15 - 24	31800B16H00N000	21 - 1	37420-09G21-000	26 - 11	47211B09J00N	31 - 2
13247-09G10-000	9 - 3	14781B09J00N000	11 - 3	21240B09J00N000	15 - 11	31861-48B10-000	21 - 11	37510B10E30N000	26 - 12	48111B09J00N	30 - 1
13254-20010-000	9 - 4	16331B09J00N000	12 - 1	21243B09J00N000	15 - 12	32101B09J00N000	19 - 2	37520-09G30-000	26 - 13	48121B09J00N291	30 - 2
13258-23F00-000	9 - 5	16400B09J00N000	12 - 2	21245B09J00N000	15 - 13	32102B09J00N000	19 - 3	38500B09G11N000	26 - 14	48127B09J00N000	30 - 3
13268-47070-000	9 - 6	16421-20E00-000	12 - 3	21247B09J00N000	15 - 14	32800B09J00N000	21 - 2	38610B35491N001	24 - 8	48137B09J00N291	30 - 4
13270B09J00N000	9 - 7	16422B09J00N000	12 - 6	21248-33G00-000	15 - 15	32900B09J00N000	21 - 4			48138B09J00N291	30 - 5
13271-24D00-000	9 - 8	16423-20E00-000	12 - 4	21249-33G00-000	15 - 16	33410B09J00N000	21 - 5			48150B09J00N000	30 - 6
13279B09J00N000	9 - 9	16423B09J00N000	12 - 7	21431B09J00N000	15 - 3	33510B09J00N000	21 - 7				
13291-29900-000	9 - 10	16510-16H11-000	12 - 9	21471B09J00N000	15 - 17	33541B09J00N000	21 - 8				
13295-29900-000	9 - 11	16512B09J00N000	12 - 10	21481B09J00N000	15 - 4	33542B09J00N000	21 - 9				
13341B30H00N000	9 - 12	16518B09J00N000	12 - 11	21501B09J00N000	15 - 18	33610-20GH0T000	20 - 1	40000		50000	
13374-85000-000	9 - 13	16519B09J00N000	12 - 12	21518B09J00N000	15 - 19	33652B32G20N000	25 - 1				
13383B09J00N000	9 - 14	16520B09J00N000	12 - 15	21650B09J00N000	15 - 5	33810B09J00N000	21 - 10	41100B09J00N000	27 - 1	51103B09J00N291	39 - 1
13385B09J00N000	9 - 15	16523B09J00N000	12 - 16	24131B09J00N000	16 - 1	34100B09J20N000	22 - 1	41170B09J00N000	27 - 2	51104B09J00N291	39 - 16
13411B09J00N000	9 - 16	16524B09J00N000	12 - 17	24132B09J00N000	16 - 2	34111B09J00N000	22 - 2	41180B09J00N000	27 - 3	51110B09J00N000	39 - 2
13412B09J00N000	9 - 17	16525B09J00N000	12 - 18	24140B09J00N000	16 - 10	34120B09J20N000	22 - 4	41184B09J00N000	27 - 4	51110B09J00N000	39 - 17
13418-12F40-000	9 - 18	17110B09J00N000	13 - 1	24141B09J00N000	16 - 11	34150B09J00N000	22 - 3	41185B09J00N000	27 - 5	51117-09G00-000	39 - 3

5

9900BC09J00C000

62