



**SUZUKI**

***FC110***

**PARTS CATALOGUE**

**2001**

---

FC110

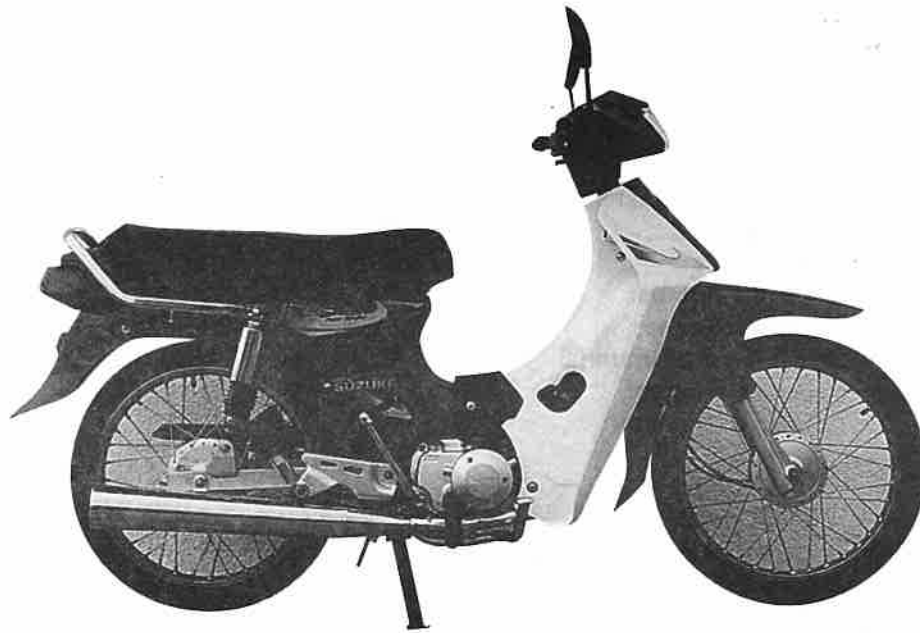


PHOTO : FC110

## PREFACE

When it becomes necessary to replace parts on SUZUKI MOTORCYCLES, always use SUZUKI GENUINE PARTS which have passed a strict inspection which guarantees quality and performance.

This parts catalogue covers the list of all service parts for SUZUKI FC110

### INSTRUCTIONS FOR QUOTING THE CATALOGUE

#### 1. DIMENSIONS

Dimension of the parts in this catalogue are indicated in unit millimeters.

#### 2. ABBREVIATIONS

Abbreviations used in this catalogue are as follows:

AR	: As required	NT	: Number
ASSY	: Assembly	OPT	: Optional
E.No.	: Engine number	OS	: Over size
F.No.	: Frame number	STD	: Standard
d	: Diameter of material	T	: Thickness
ID	: Inside diameter	US	: Under size
OD	: Outside diameter	W	: Width
L	: Length		
LH	: Left hand side		
RH	: Right hand side		
~ 100045	: Up to F.No.BE43A-100045		
100046 ~	: From F.No.BE43A-100046		

12 X 34 X 5.6 ----- Figures in the description column  
show the dimension of parts.

ID      OD      T(or W,L)

→ 12345-56781 (Part No.) : indicates that the parts number was changed to 12345-56781 and the new parts are interchangeable with the former ones but the former ones not interchangeable with new ones.

< 12345-56781 (Part no.) : indicates that the former and new parts are interchangeable with each other and both are usable.

INFORMATION  
ILLUSTRATION INDEX

1

ENGINE  
TRANSMISSION

2

ELECTRICAL

3

BODY

4

PARTS NUMBER INDEX

5

FIG. 1

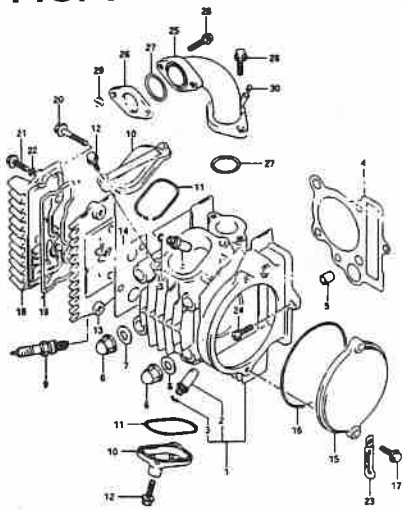


FIG. 2

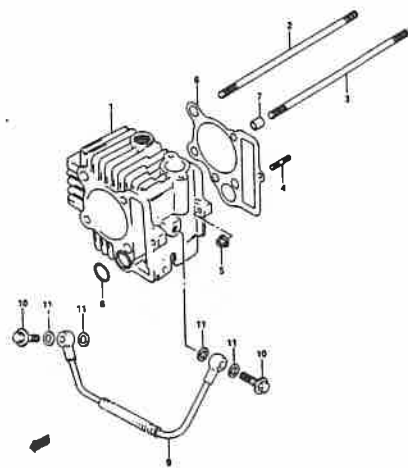


FIG. 3

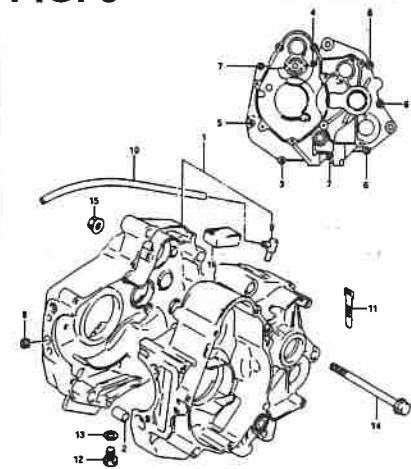


FIG. 4

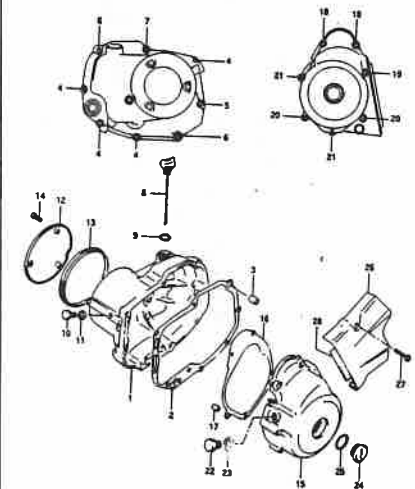


FIG. 5

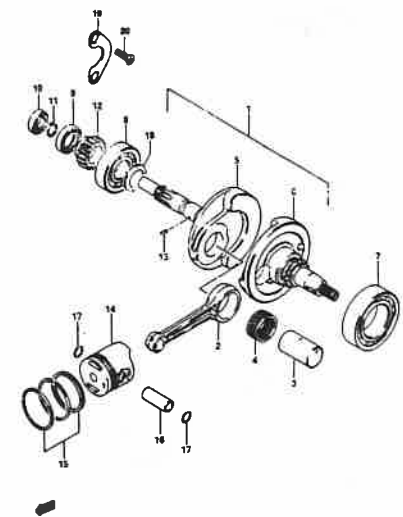


FIG. 6

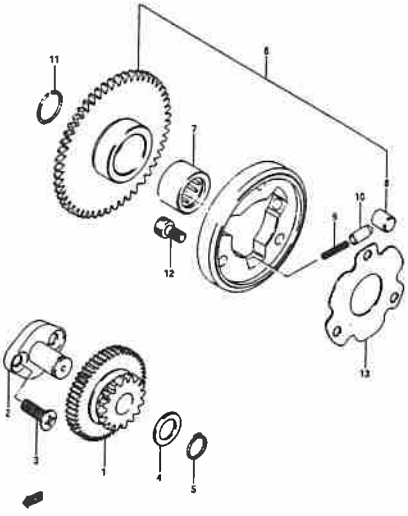


FIG. 7

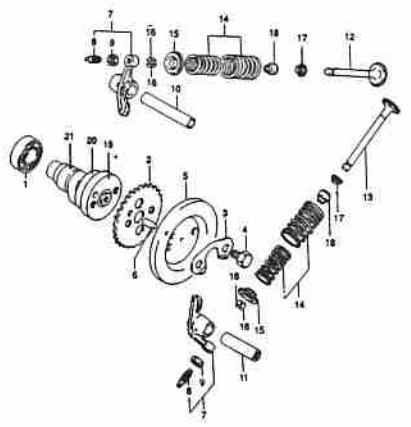
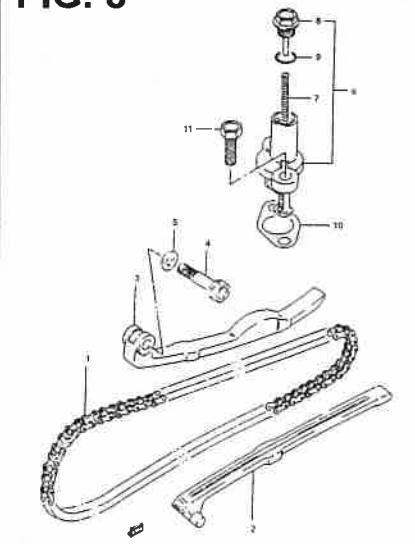
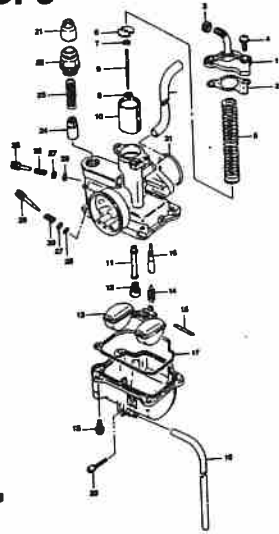


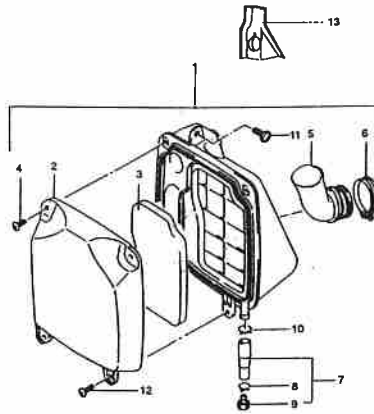
FIG. 8



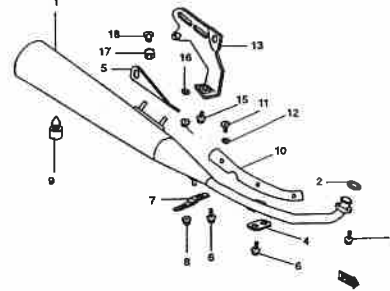
**FIG. 9**



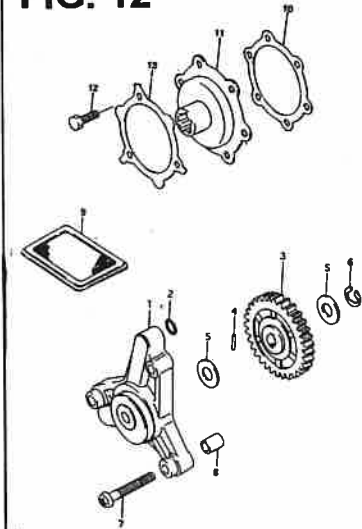
**FIG. 10**



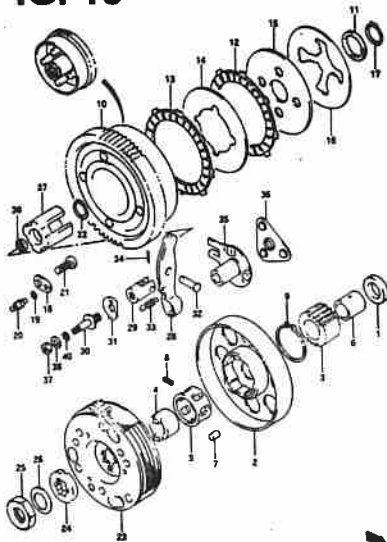
**FIG. 11**



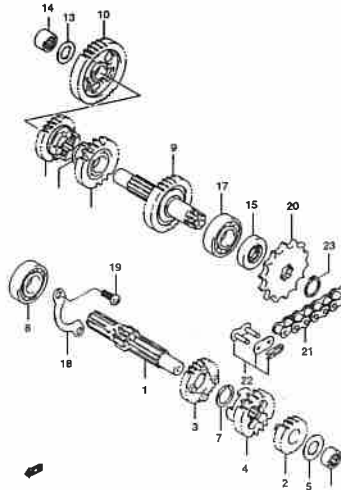
**FIG. 12**



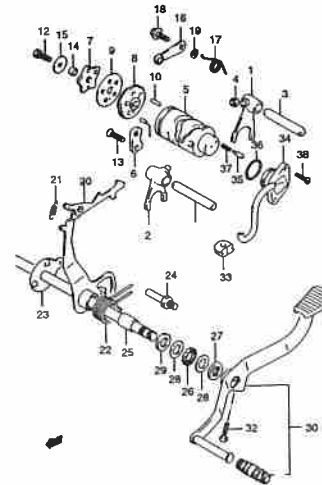
**FIG. 13**



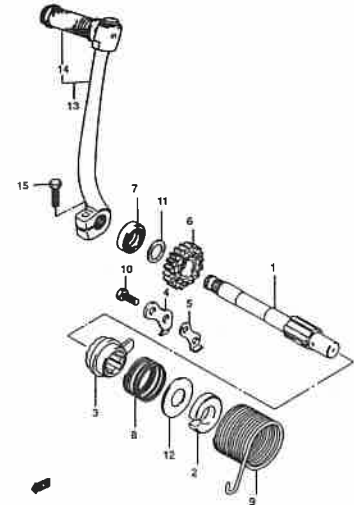
**FIG. 14**

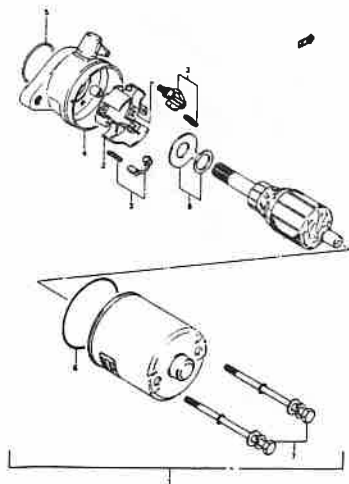
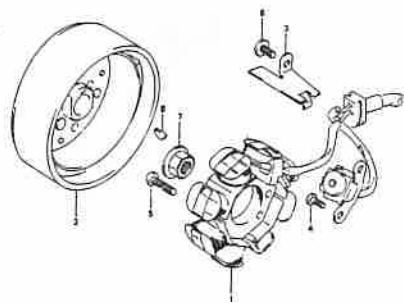
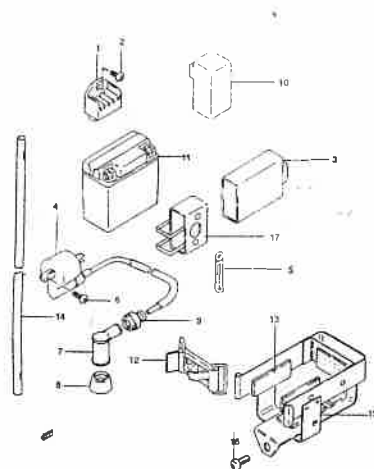
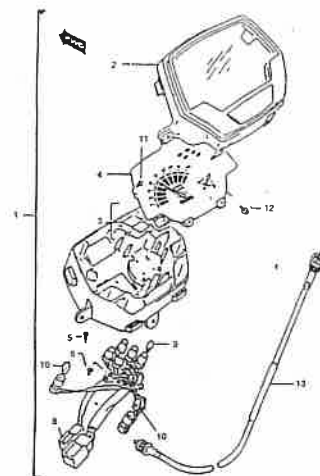
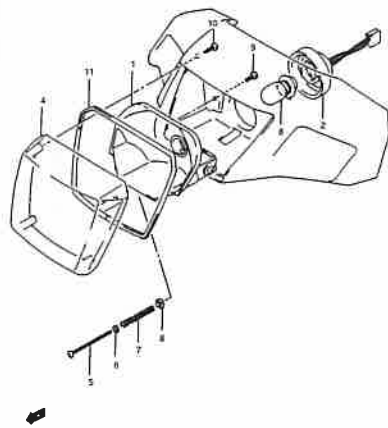
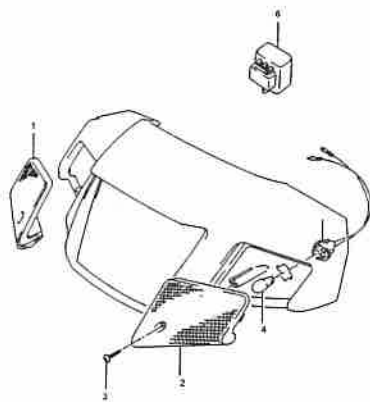
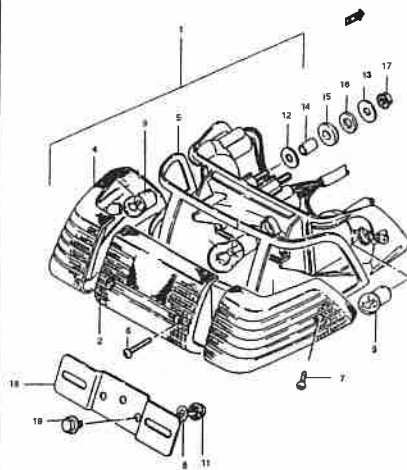
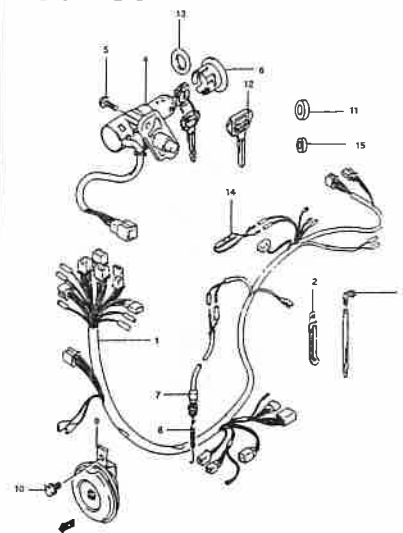


**FIG. 15**

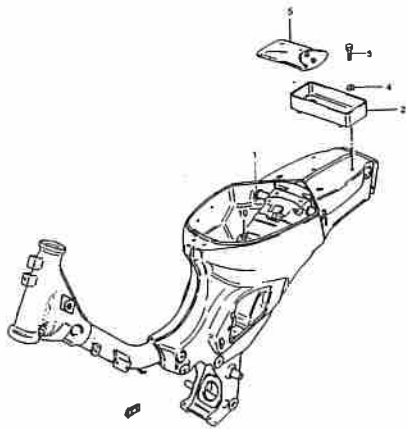


**FIG. 16**

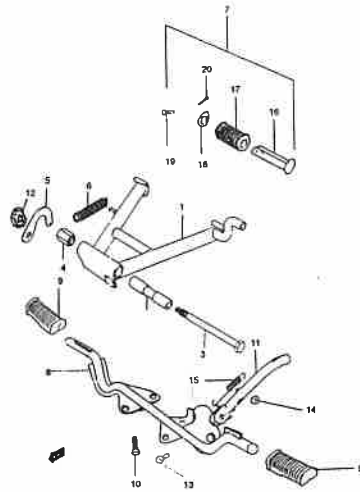


**FIG. 17****FIG. 18****FIG. 19****FIG. 20****FIG. 21****FIG. 22****FIG. 23****FIG. 24**

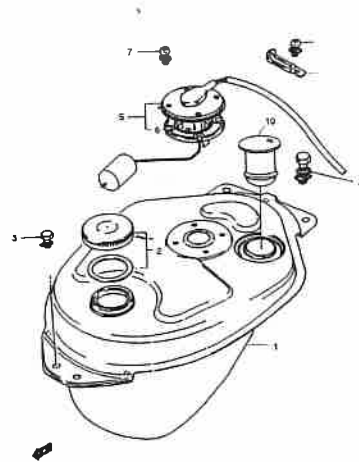
**FIG. 25**



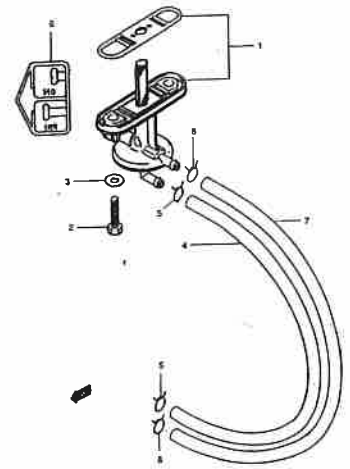
**FIG. 26**



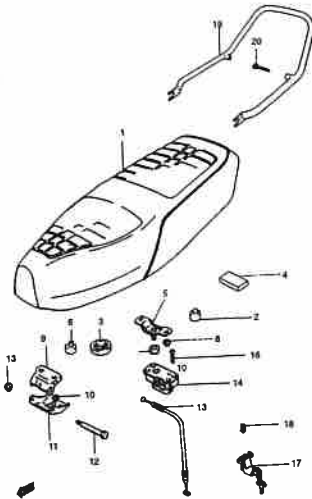
**FIG. 27**



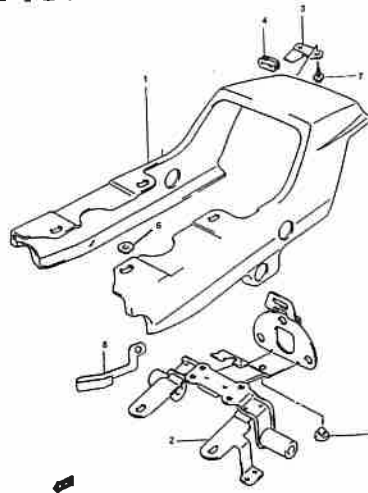
**FIG. 28**



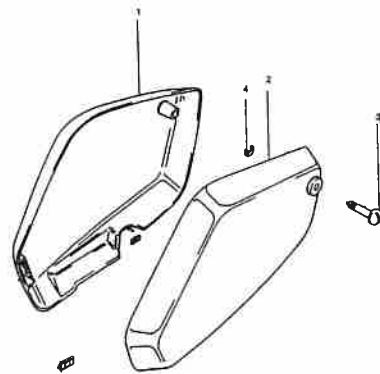
**FIG. 29**



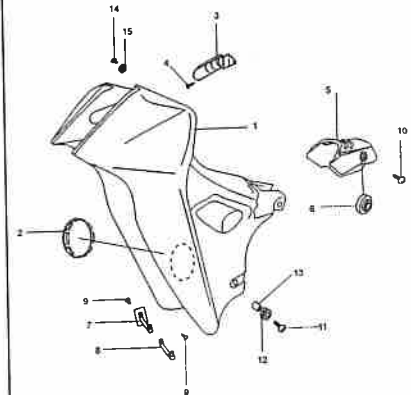
**FIG. 30**



**FIG. 31**



**FIG. 32**





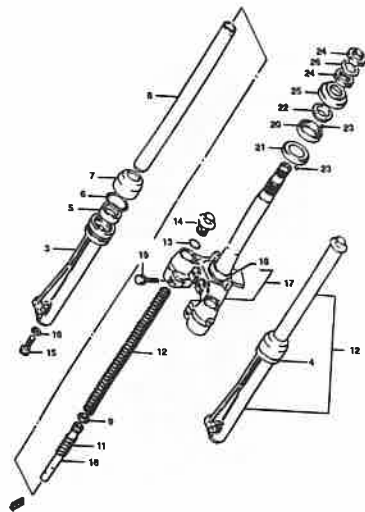
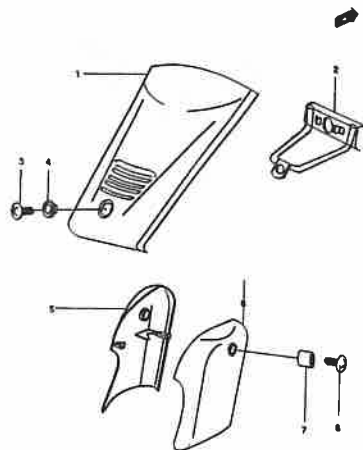
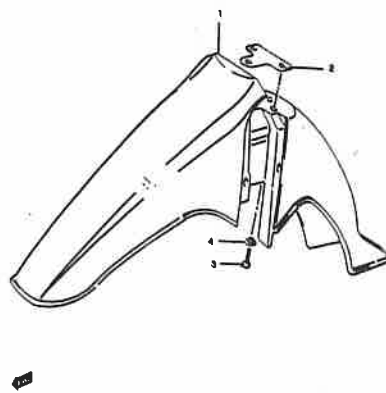
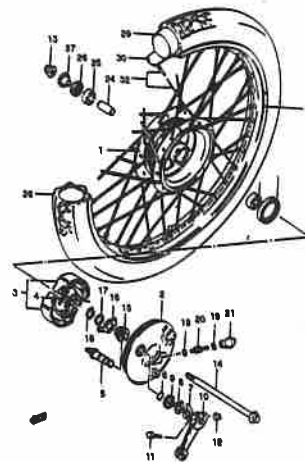
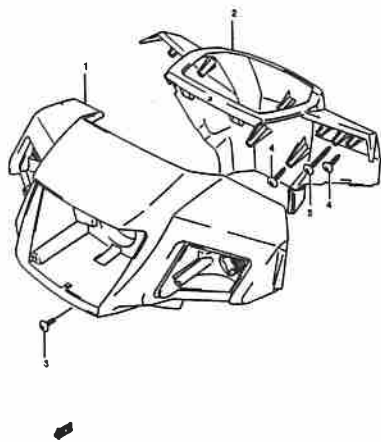
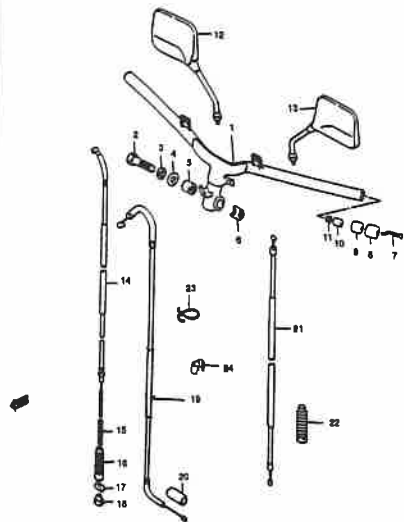
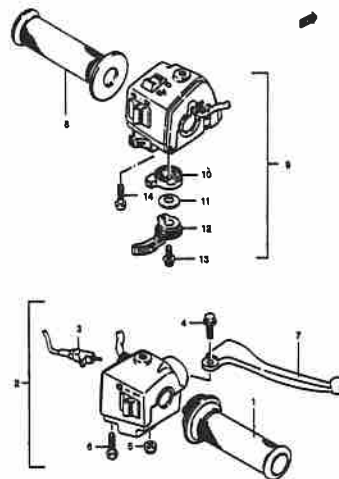
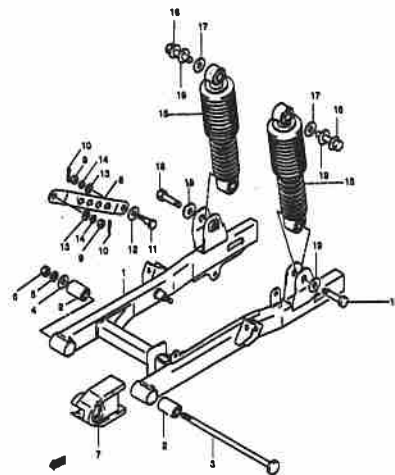
**FIG. 33****FIG. 34****FIG. 35****FIG. 36****FIG. 37****FIG. 38****FIG. 39****FIG. 40**

FIG. 41

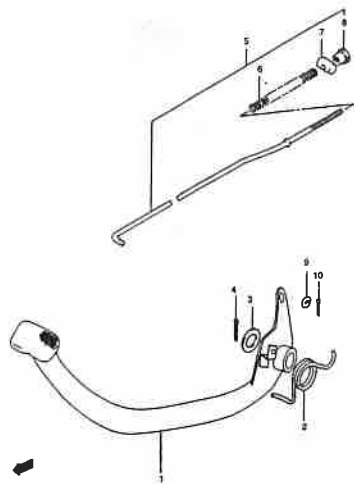


FIG. 42

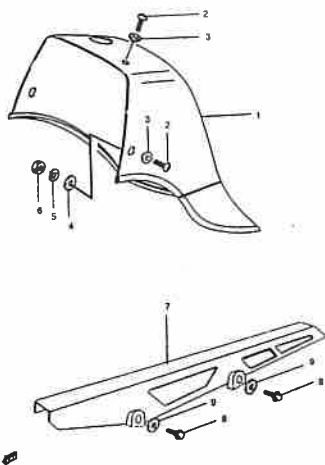


FIG. 43

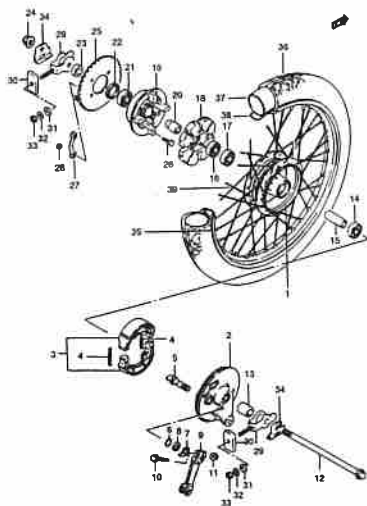


FIG. 44

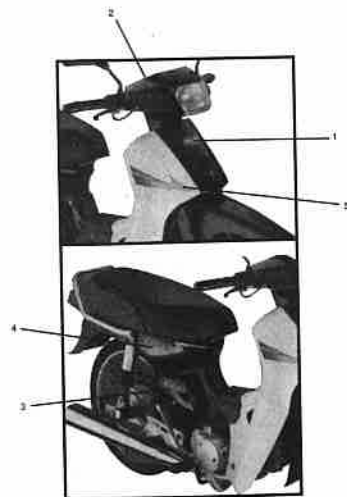


FIG. 1

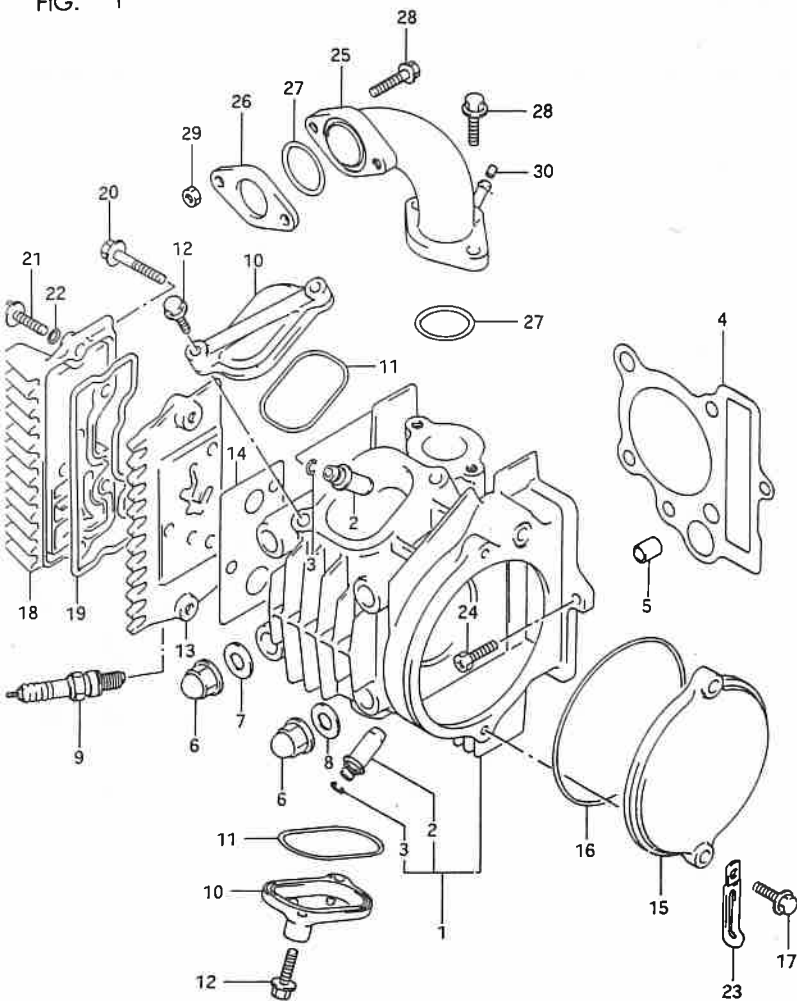


FIG. 1 ( B-2 ) CYLINDER HEAD

REF. NO.	PART NO.	DESCRIPTIONS	Q'TY	REMARKS
1	11110-30D01	HEAD, cylinder	1	
2	11115-30D70	.GUIDE, valve	2	
3	09381-10004	.RING	2	
4	11141-30D00	GASKET, cylinder head	1	
5	04211-11129	PIN	2	
6	09159-08049	NUT	4	
7	09168-08021	GASKET	1	
8	09160-08039	WASHER	3	
9	09482M00340	SPARK PLUG	1	
10	11175M09400	CAP, inspection	2	
11	09280-50007	O RING	2	
12	01550-08253	BOLT	4	
13	11134M09D01	COVER, cylinder head (RH)	1	
14	11135M09D00	GASKET, head cover	1	
15	11121M30A01	COVER, cylinder head (LH)	1	
16	09280-84002	O RING	1	
17	01550-08203	BOLT	2	
18	11149M09D01	COVER, cyl head cover No.2	1	
19	11144-09D00	O RING, cyl head cover No.2	1	
20	09103-08143	BOLT, cyl head cover No.2	2	
21	09103-08144	BOLT, cyl head cover No.2	3	
22	09168-08004	WASHER, cyl head cover No.2	1	
23	09404-08429	CLAMP (L:45)	1	
24	09128-08049	BOLT (8x16)	1	
25	13110-30D00	PIPE, intake	1	
26	13129-30A00	INSULATOR, carburetor	1	
27	09280-24005	O RING	2	
28	01547-08253	BOLT	4	
29	09140-08023	NUT	2	
30	13131-30D00	JET, boost hose	1	

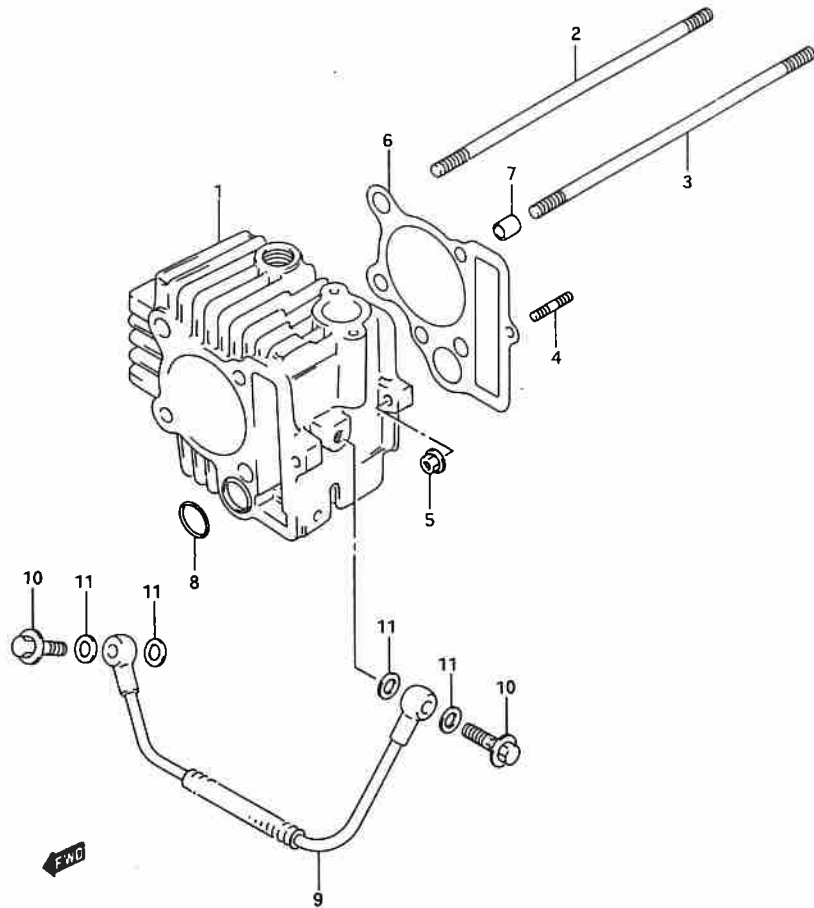
2



FC110

FIG. 2

2

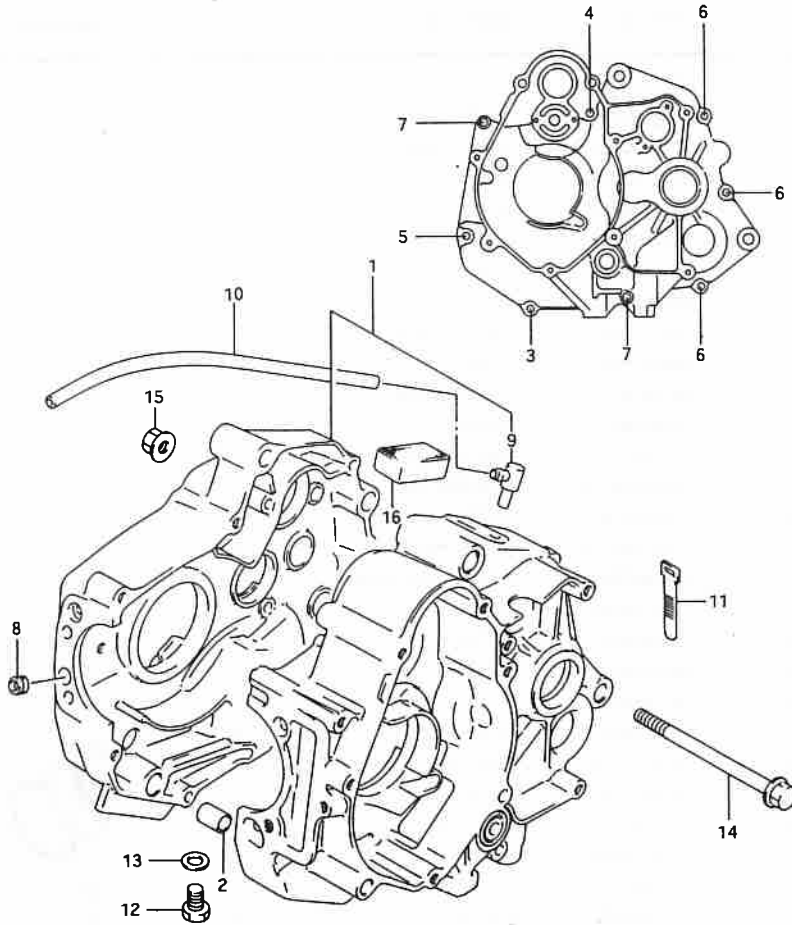


FC110

FIG. 2 (B-3) CYLINDER

REF. NO.	PART NO.	DESCRIPTIONS	QTY	REMARKS
1	11211M30D00-0F0	CYLINDER	1	
2	09108-08171	STUD BOLT (8X192)	2	
3	09108-08172	STUD BOLT (8X197)	2	
4	01421-06208	STUD BOLT	1	
5	08316-10063	NUT	1	
6	11241M30D00	GASKET, cylinder	1	
7	04211-11129	PIN	2	
8	09280-15014	O RING	1	
9	11280-30D00	PIPE, cylinder oil	1	
10	09360-08012	BOLT, union	2	
11	09168-08016	GASKET, oil pipe	4	

FIG. 3



FC110

FIG. 3 (B-4) CRANKCASE

REF. NO.	PART NO.	DESCRIPTIONS	Q'TY	REMARKS
1	11390M30D00	CRANKCASE ASSY	1	
2	04211-13189	.PIN	2	
3	02112-06303	.SCREW	1	
4	02112-06353	.SCREW	1	
5	02112-06403	.SCREW	1	
6	02112-06503	.SCREW	3	
7	02112-06753	.SCREW	2	
8	11329-30D00	.PLATE, oil jet	1	
9	16910-30D00	.UNION, breather hose	1	
10	09359-50823-600	HOSE	1	
11	09407-08401	CLAMP	1	
12	01500-10163	PLUG, oil drain	1	
13	09168-10002	GASKET	1	
14	09103-10087	BOLT (L:105)	2	
15	08319-31105	NUT	2	
16	11186-30D00	SEPARATOR, oil breather	2	

2

FIG. 4

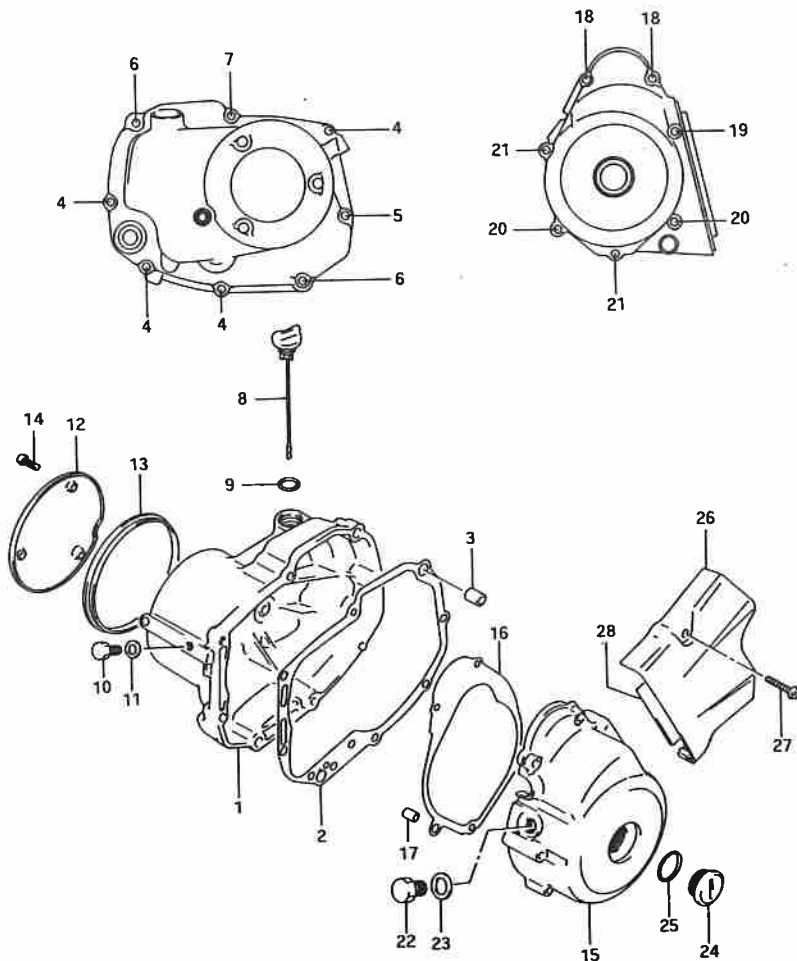
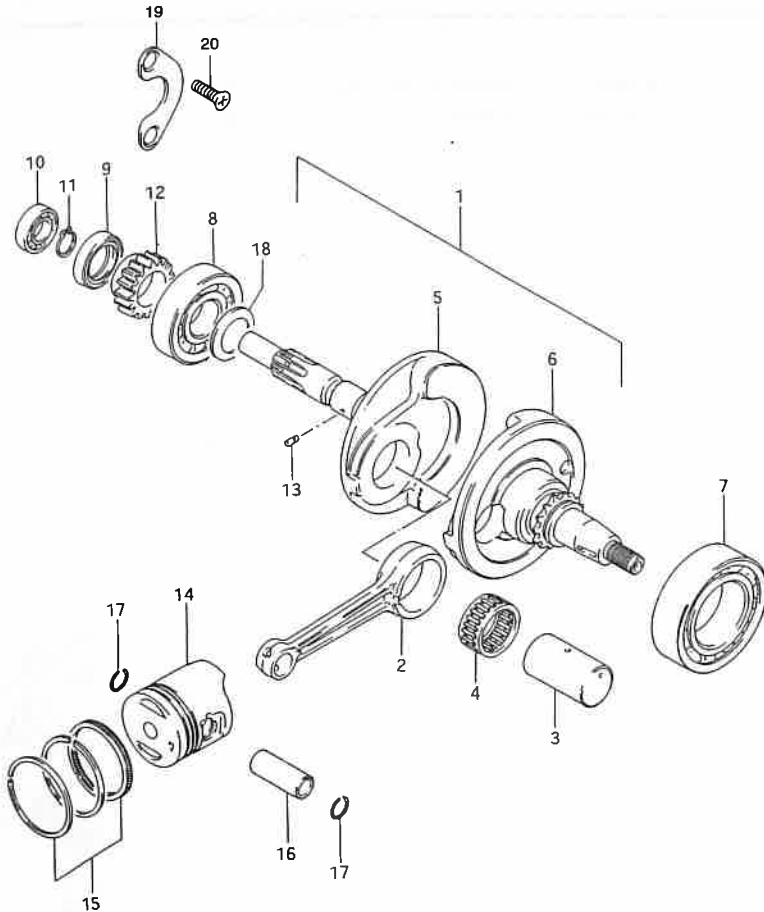


FIG. 4 ( B-5 ) CRANKCASE COVER

REF. NO.	PART NO.	DESCRIPTIONS	QTY	REMARKS
1	11340M30D10	COVER, clutch	1	
2	11482M30A10	GASKET, clutch cover	1	
3	04211-13189	PIN	2	
4	02112-06253	SCREW	4	
5	02112-06353	SCREW	1	
6	02112-06503	SCREW	2	
7	02112-06553	SCREW	1	
8	11971-09402	GAUGE, oil level	1	
9	09280-17003	O RING	1	
10	01500-08127	PLUG, oil check	1	
11	09168-08015	GASKET	1	
12	11383M30D10A	CAP, clutch cover	1	
13	11389M09D00	CUSHION, CAP	1	
14	02112-05163	SCREW, cap	3	
15	11351M30D10	COVER, magneto	1	
16	11483M30A10	GASKET, magneto cover	1	
17	04211-09129	PIN	2	
18	02112-06853	SCREW	2	
19	02112-06303	SCREW	1	
20	02112-06403	SCREW	2	
21	02112-06503	SCREW	2	
22	09247-12104	PLUG, top	1	
23	09168-12002	GASKET	1	
24	09259-26011	PLUG, hole	1	
25	09280-22008	O RING	1	
26	11361M30D10	COVER, engine sprocket	1	
27	02112-06303	SCREW	2	
28	11362M30D00	DAMPER, engine sprkt cover	1	

FIG. 5



FC110

FIG. 5 ( B-6 ) CRANKSHAFT

REF. NO.	PART NO.	DESCRIPTIONS	Q'TY	REMARKS
1	12200-30D03	CRANKSHAFT ASSY	1	
2	12161-30D01-0C0	.ROD, connecting	1	
3	12211-09D11-0A0	.PIN, crank	1	
4	09263-28029-0B0	.BEARING	1	
5	12220-30D02	.CRANKSHAFT, RH	1	
6	12260-30D03	.CRANKSHAFT, LH	1	
7	09262-35021-0A0	BEARING	1	
8	09262-25117	BEARING	1	
9	09282-20005	OIL SEAL	1	
10	09262-12001	BEARING	1	
11	08331-41286	CIRCLIP, crank brg, r	1	
12	16321-30A02	GEAR, oil pump drive	1	
13	04221-03059	PIN	1	
14-1	12111M30D03-0F0	PISTON	1	
14-2	12111M30D03-050	PISTON	1	
14-3	12111M30D03-100	PISTON	1	
15-1	12140-30D10	RING SET, piston	1	
15-2	12140-30D10-050	RING SET, piston	1	
15-3	12140-30D10-100	RING SET, piston	1	
16	12151-30D01	PIN, piston	1	
17	09381-14001	CIRCLIP	2	
18-1	09181-25051	SHIM (T:0.60)	1	
18-2	09181-25052	SHIM (T:0.65)	1	
18-3	09181-25053	SHIM (T:0.70)	1	
18-4	09181-25054	SHIM (T:0.75)	1	
18-5	09181-25055	SHIM (T:0.80)	1	
18-6	09181-25056	SHIM (T:0.85)	1	
18-7	09181-25057	SHIM (T:0.90)	1	
18-8	09181-25058	SHIM (T:0.95)	1	
18-9	09181-25059	SHIM (T:1.00)	1	
18-10	09181-25060	SHIM (T:1.10)	1	
18-11	09181-25061	SHIM (T:1.10)	1	
18-12	09181-25062	SHIM (T:1.15)	1	
18-13	09181-25061	SHIM (T:1.10)	1	

2

FIG. 5

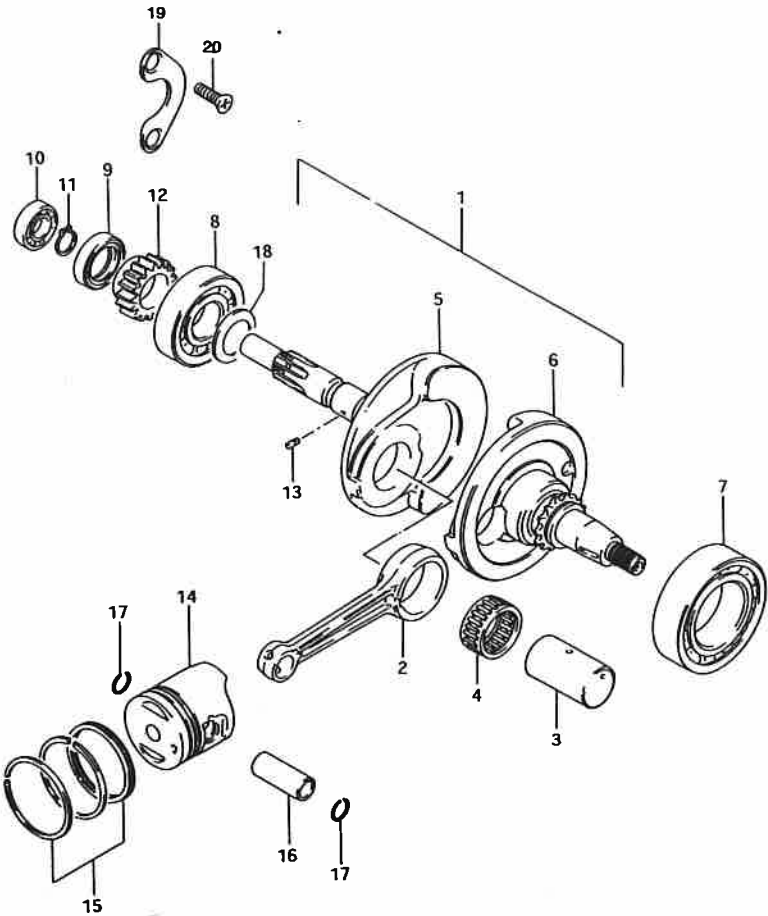


FIG. 5 ( B-7 ) CRANKSHAFT

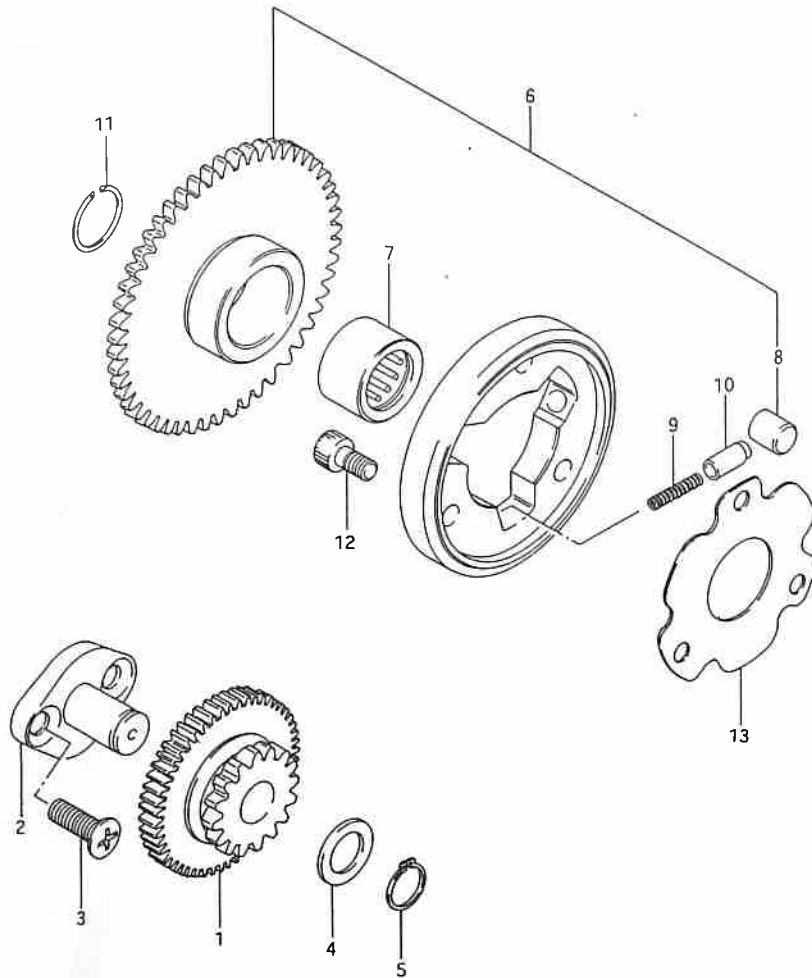
REF. NO.	PART NO.	DESCRIPTIONS	Q'TY	REMARKS
19	12548-09D00	RETAINER, shaft oil seal	1	
20	02122-05123	SCREW	2	

2

FC110



FIG. 6



FC110

FIG. 6 ( B-8 ) STARTER CLUTCH

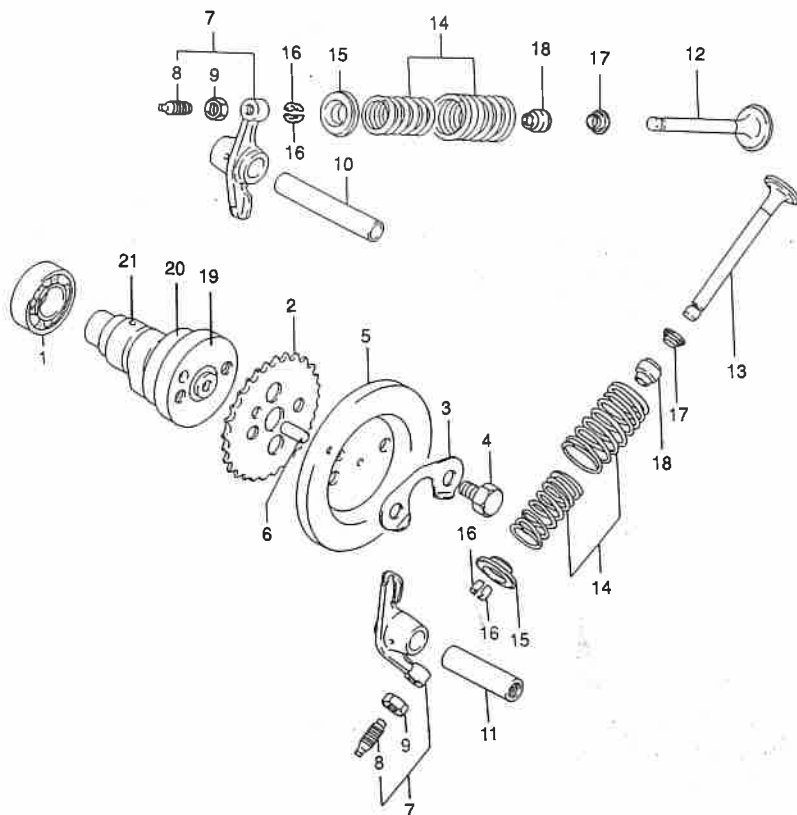
REF. NO.	PART NO.	DESCRIPTIONS	QTY	REMARKS
1	12611-30A00	GEAR, starter idle (NT:68/14)	1	
2	12612-09410	SHAFT, starter idle gear	1	
3	02122-06163	SCREW	2	
4	09160-13010	WASHER	1	
5	08331-31136	CIRCLIP	1	
6	12600-30851	Starter Clutch Set	1	
7	09263-25040	.BEARING	1	
8	09261-10003	.ROLLER	3	
9	09440-03004	.SPRING	3	
10	12633-05300	.PIECE, push	3	
11	09380-25010	CIRCLIP, starter clutch brg	1	
12	07130-06123	BOLT (6X10)	3	
13	12649-30D00	SHIM, clutch hub	1	

2

FIG. 7

FIG. 7 ( B-9 ) CAM SHAFT/VALVE

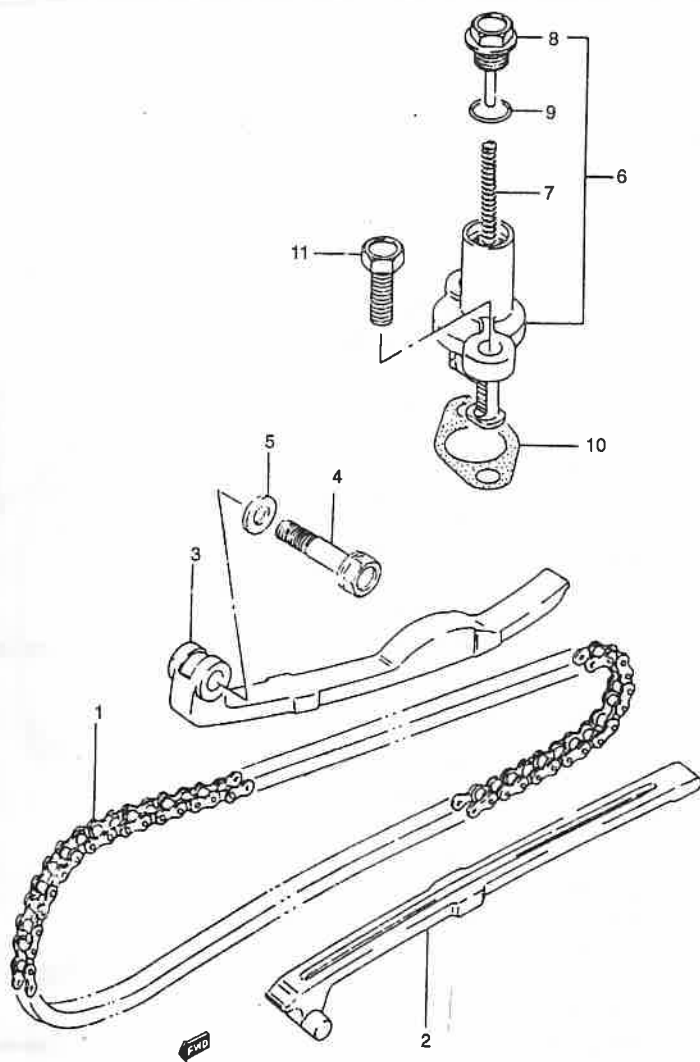
2



REF. NO.	PART NO.	DESCRIPTIONS	Q'TY	REMARKS
1	09262-15026	.BEARING Camshaft RH	1	
2	12741-30A10	SPROCKET, cam shaft	1	
3	12747-30D00	WASHER, sprocket	1	
4	09111-06053	BOLT	2	
5	12755-30A00	FLYWHEEL, cam shaft	1	
6	09261-05009	PIN, sprocket	1	
7	12840-09D01	ARM, valve locker	2	
8	12842-49201	.SCREW, adjusting	2	
9	12843-27A00	.NUT, adjusting	2	
10	12861-09D00	SHAFT, locker arm.IN	1	
11	12871-30A00	SHAFT, locker arm EX	1	
12	12911-30D00	VALVE, intake	1	
13	12912-30D00	VALVE, exhaust	1	
14	12920-30A01	SPRING SET, valve	2	
15	12931-09400	RETAINER, valve spring	2	
16	12932-27A00	COTTER, valve	4	
17	12933-39E00	SEAT, spring	2	
18	09289-05008	OIL SEAL	2	
19	12713-09401	FLANGE, Camshaft	1	
20	09262-17037	BEARING, Camshaft L	1	
21	12711-30D00	Camshaft	1	

FWD

FIG. 8



FC110

FIG. 8 (B-10) CAM CHAIN

REF. NO.	PART NO.	DESCRIPTIONS	Q'TY	REMARKS
1	27600M20910-098	CHAIN ASSY, DRIVE 98L	1	
2	12771-30A04	GUIDE, cam chain	1	
3	12811-30A02	TENSIONER, cam chain	1	
4	12812-30A00	BOLT, cam chain tensioner	1	
5	09168-06004	GASKET	1	
6	12830-30A01	ADJUSTER ASSY, tensioner	1	
7	12833-30A01	SPRING	1	
8	12834-02A00	PLUG, adjuster	1	
9	12832-02A00	O RING	1	
10	12837M19B10	GASKET, tensioner adjuster	1	
11	07120-06203	BOLT (6X20)	2	

2

FIG. 9

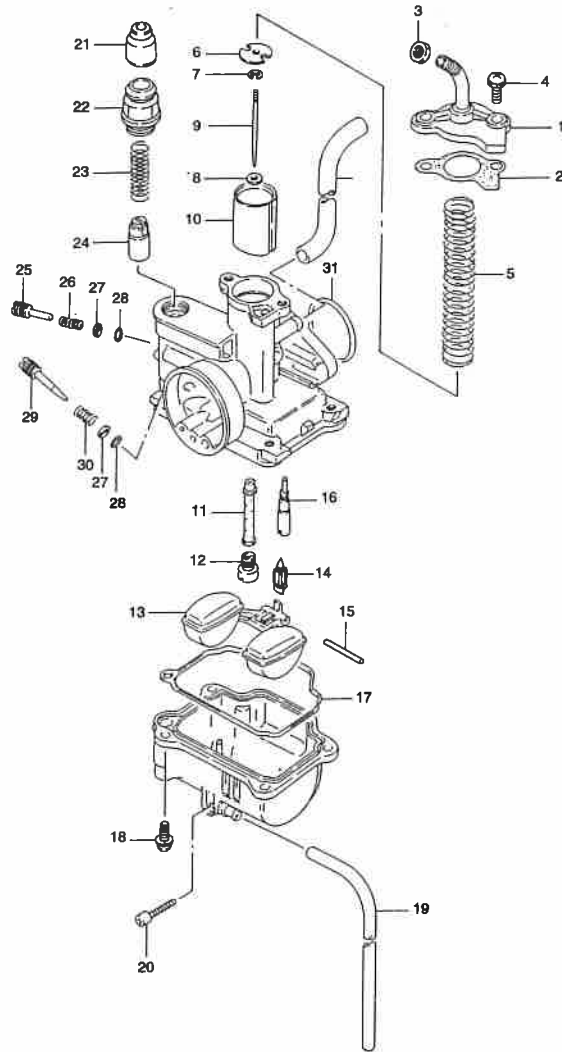


FIG. 9 ( C-2 ) CARBURETOR

REF. NO.	PART NO.	DESCRIPTIONS	Q'TY	REMARKS
	13200-30D20	CARBURETOR ASSY	1	
1	13261-30D00	.CAP	1	
2	13249-30A10	.GASKET	1	
3	13661-02B00	.NUT	1	
4	02112-34123	.SCREW	2	
5	13573-30D00	.SPRING	1	
6	13447-30A00	.PLATE	1	
7	13394-40D00	.CLIP	1	
8	13615-09400	.PACKING	1	
9	13383-30D00	.NEEDLE, jet (3DL2-3)	1	
10	13551-30D00	.VALVE, piston (CA:2.5)	1	
11	09494-00887	.JET, needle (D-9)	1	
12	09491-85005	.JET, main (85)	1	
13	13250-16A00	.FLOAT	1	
14	13370-09D00	.VALVE, needle	1	
15	13254-20010	.PIN	1	
16	09492-17012	.JET, pilot (17.5)	1	
17	13258-30A00	.O RING	1	
18	13601-04148	.SCREW	4	
19	09354-25703-600	.HOSE (2.5x7x600)	1	L:600-225
20	13247-13A00	.SCREW	1	
21	13681-04010	.CAP	1	
22	13418-43410	.HOLDER	1	
23	13417-01010	.SPRING	1	
24	13411-01010	.PLUNGER	1	
25	13267-09400	.SCREW, air ( 1 3/4)	1	
26	13494-09410	.SPRING	1	
27	13291-29900	.WASHER	2	
28	13295-29900	.O RING	2	
29	13267-47A00	.ADJUSTER	1	
30	13268-35010	.SPRING	1	
31	09280-24006	.O RING	1	
32	09352-40703-600	.HOSE (4x7x600)	1	L:600-400

FC110

FIG. 10

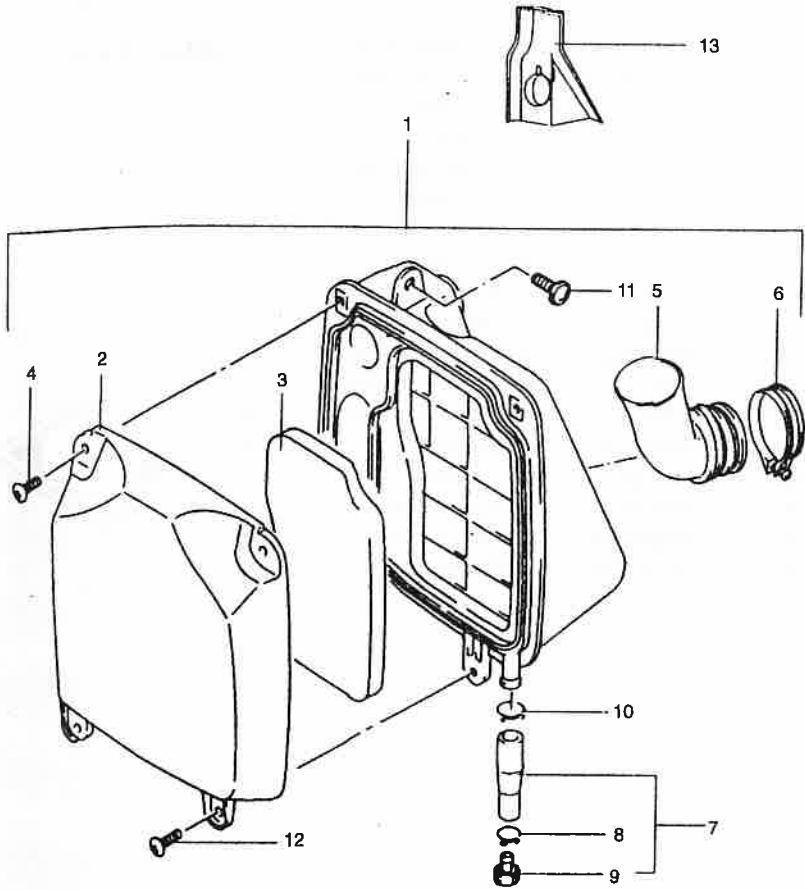


FIG. 10 (C-3) AIR CLEANER

REF. NO.	PART NO.	DESCRIPTIONS	Q'TY	REMARKS
1	13700M30D20	CLEANER ASSY, air	1	
2	13741M30D20	CAP AIR CLEANER	1	
3	13781M30D20	FILTER	1	
4	02142-05123	SCREW	2	
5	13881-30D20	TUBE OUTLET	1	
6	09402-40208	CLAMP	1	
7	13870-11078	TUBE COMP DRAIN	1	
8	13824-18910	CLIP DRAIN	1	
9	13877-38A00	STOPPER DRAIN	1	
10	13824-00A00	CLIP	1	
11	09136-06017	SCREW AIR CLEANER	2	
12	02142-05163	SCREW	2	
13	13892M30D20	BOOT INLET	1	

2

FIG. 11

2

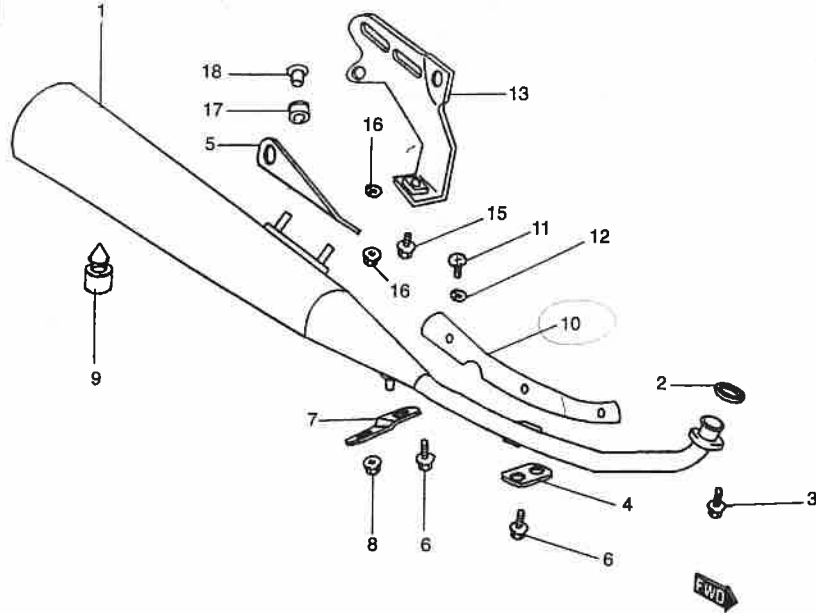
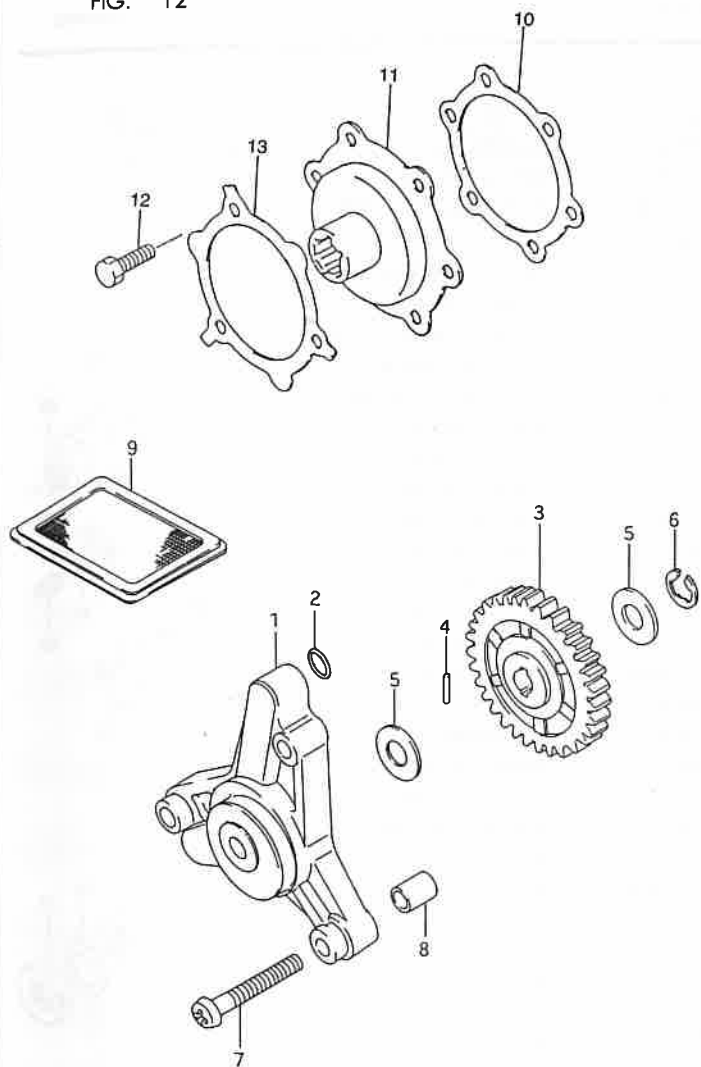


FIG. 11 (C-4) MUFFLER

REF. NO.	PART NO.	DESCRIPTIONS	Q'TY	REMARKS
1	14310M31D10A	BODY COMP MUFFLER	1	14310-30D10
2	14181M30A10	GASKET EXHAUST PIPE	1	
3	01570-06203	BOLT, EXH PIPE	2	
4	14411M30D00	BRKT EXH SPRT	1	
5	14410M30D98A	BRKT COMP MUF SPRT	1	
6	01550-08123	BOLT EXH SPRT	2	
7	14415M30D99A	PLATE EXH SPRT RR	1	
8	08319-31083	NUT, MUF SPRT	2	
9	09321M10D01	CUSHION CENTER STAND	1	
10	14180M30D10	COVER EXH PIPE	3	
11	02112M05057	SCREW EXH PIPE COVER	3	
12	08321M21056	WASHER EXH PIPE COVER	1	
13	43660M10C50	PLATE COMP MUF SPRT. R	2	
14	08319M21083	NUT, MUF SPRT	1	
15	01550-08303	BOLT, MUF SPRT	1	
16	09160-08032	WASHER, MUF SPRT	1	
17	09320M12058	CUSHION, MUF SPRT	1	
18	14773M41D00	SPACER, MUF SPRT	1	

FIG. 12



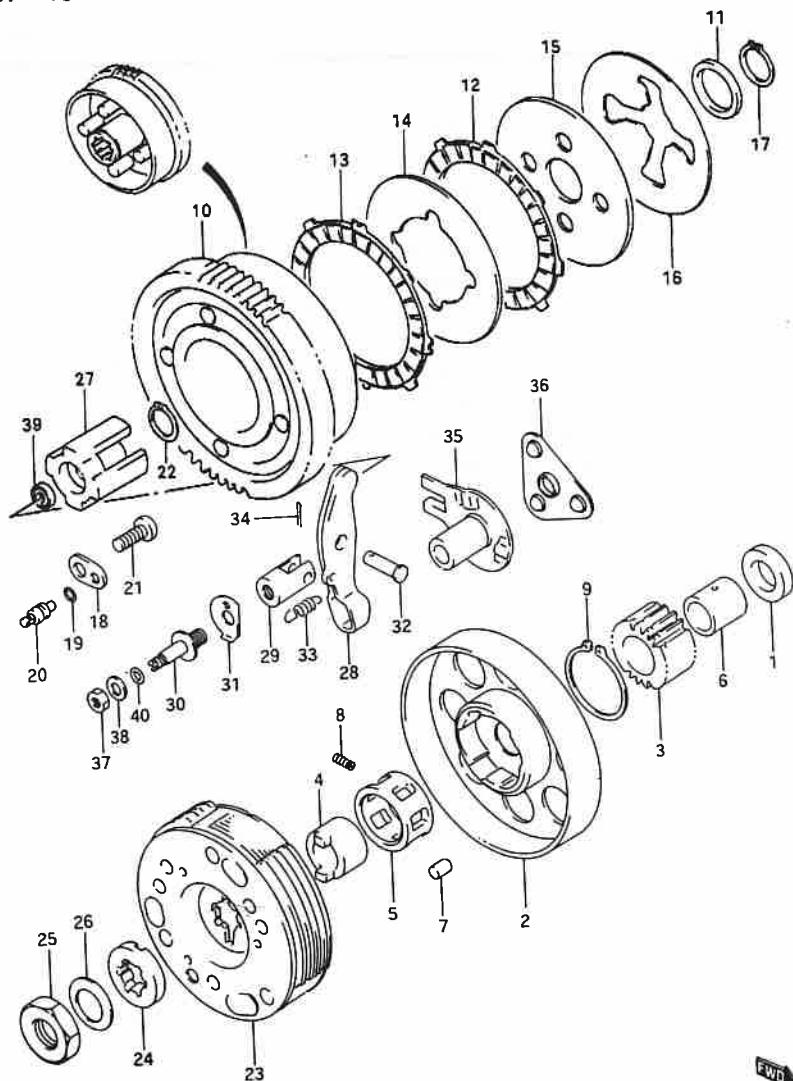
FC110

FIG. 12 ( C-5 ) OIL PUMP

REF. NO.	PART NO.	DESCRIPTIONS	QTY	REMARK
1	16400-09410	PUMP ASSY, engine oil	1	
2	09280-10015	O RING	2	
3	16331-09420	GEAR, oil pump driven (NT:31)	1	
4	09261-02008	ROLLER	1	
5	08211-08141	WASHER	2	
6	08332-11063	E RING	1	
7	02112-06353	SCREW	3	
8	04211-09129	PIN	2	
9	16520-30A00	STRAINER, engine oil	1	
10	16543-30D00	GASKET	1	
11	16540-30D00	COVER, engine oil filter	1	
12	09100-05019	BOLT	3	
13	16544-30D00	WASHER, oil filter cover	1	

2

FIG. 13



FC110

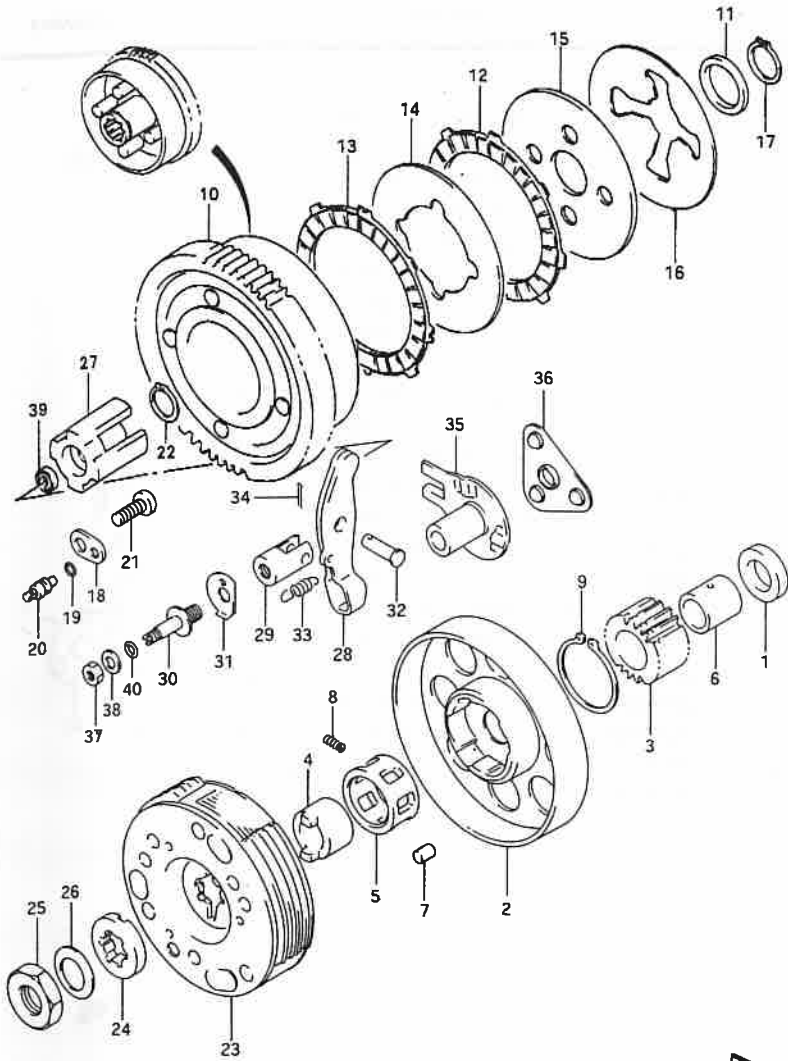


FIG. 13 (C-6) CLUTCH

REF. NO.	PART NO.	DESCRIPTIONS	Q'TY	REMARKS
1	16325-30D00	SPACER, oil pump drive gear	1	
2	21102-30A10	HOUSING, clutch	1	
3	21111-09D00	GEAR, primary drive	1	
4	21631-02A04	RACE, one way clutch INR	1	
5	21652-30D01	RETAINER, one way clutch	1	
6	09180-16045	SPACER, primary drive gear	1	
7	09261-07006	ROLLER, one way clutch	3	
8	09440-02003	SPRING, one way clutch	1	
9	08331-31346	CIRCLIP, primary drive	1	
10	21200-30D01	GEAR ASSY, primary driven	1	
11	21412-30D00	SPACER, clutch spring	1	
12	21441-21D20	PLATE, clutch drive	4	
13	21442-21D20	PLATE, clutch driven No.2	1	
14	21451-30D00	PLATE, clutch driven	1	
15	21461-30D00	PLATE, clutch pressure	1	
16	21481-21D20	SPRING, clutch	1	
17	08331-31216	CIRCLIP, clutch spring	1	
18	21499-30D00	RETAINER, clutch oil	1	
19	09280-40004	O RING, clutch oil	1	
20	09493-26007	JET, clutch oil	1	
21	02112-06163	SCREW, clutch oil	1	
22	09380-17010	CIRCLIP, gear shift clutch	1	
23	21501-30D00	CLUTCH ASSY, shoe	1	
24	21541-30D00	SPACER, clutch assy shoe	1	
25	09140-16025	NUT, clutch assy shoe	1	
26	09164-16004	WASHER, clutch assy	1	
27	23121-21D10	PIECE, clutch push	1	
28	23221-09D01	ARM, clutch release	1	
29	23222-09D01	BOSS, clutch release	1	
30	23223-09D00	BOLT, clutch release	1	
31	09169-08046	WASHER, CL release bolt	1	
32	09200-07005	PIN, clutch release arm	1	
33	09443-06053	SPRING, clutch release	1	
34	04111-16208	PIN, clutch release	1	
35	23230-30D01	GUIDE, release ball outer	1	



FIG. 13



FC110



FIG. 13 ( C-7 ) CLUTCH

REF. NO.	PART NO.	DESCRIPTIONS	Q'TY	REMARKS
36	23250-35402	BALL, clutch release	1	
37	09140-08019	NUT, clutch release	1	
38	09160-08092	WASHER, clutch release	1	
39	09266-16002	BEARING, PUSH, piece thrust	1	
40	09280-08012	O RING, release bolt	1	

2

FIG. 14

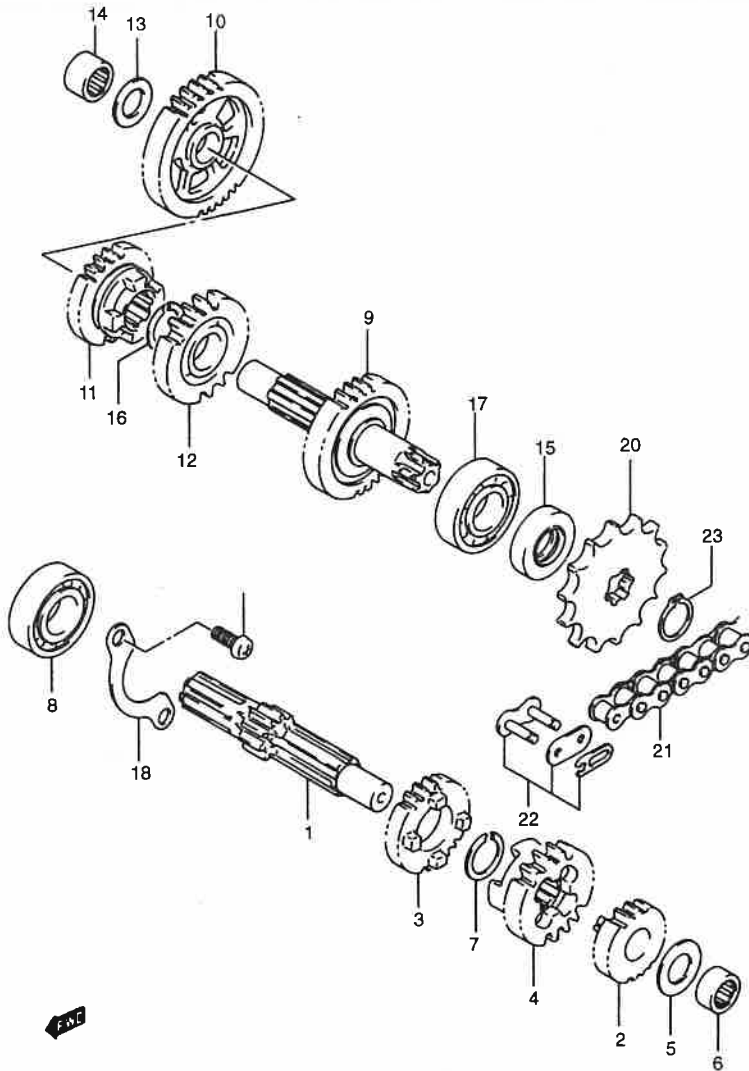
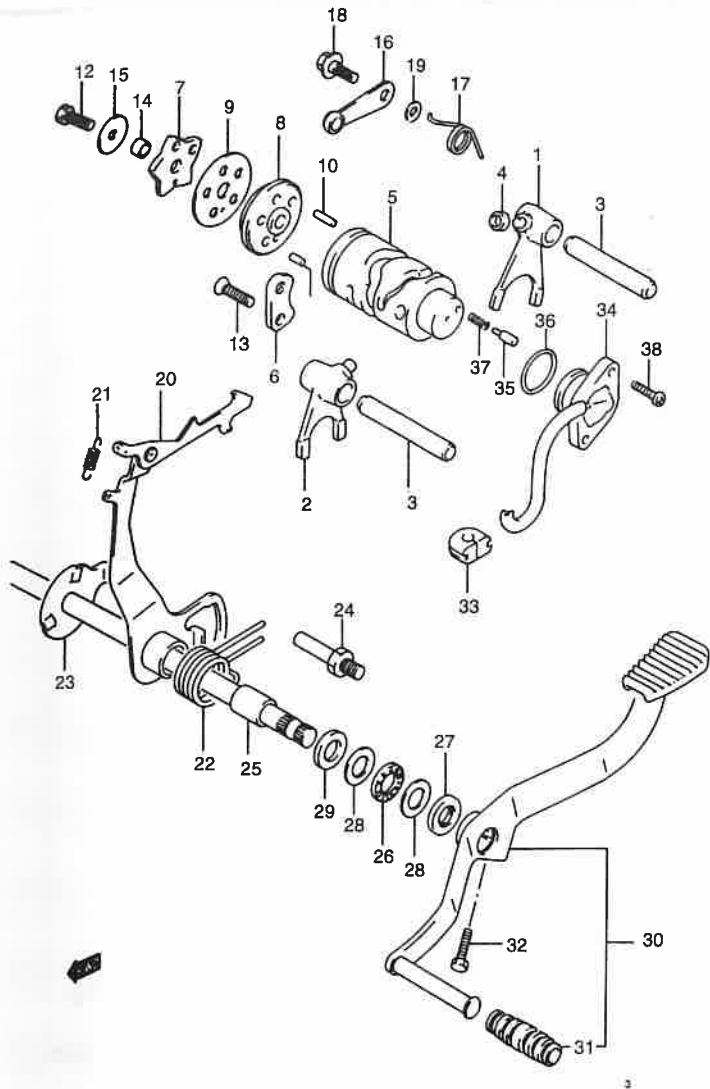


FIG. 14 (C-8) TRANSMISSION

REF. NO.	PART NO.	DESCRIPTIONS	QTY	REMARKS
1	24121-35511	SHAFT, counter	1	
2	24221-35422	GEAR, 2ND drive (NT:16)	1	
3	24231-30A10	GEAR, 3RD drive (NT:19)	1	
4	24241-30A10	GEAR, 4TH drive (NT:19)	1	
5	09160-13006	WASHER, 2ND drive thrust	1	
6	09263-13001	BEARING, counter shaft LH	1	
7	09380-17007	CIRCLIP, 3RD drive gear	1	
8	08110-62030	BEARING, counter shaft RH	1	
9	24130-30A20	SHAFT, drive	1	
10	24310-30A10	GEAR, 1ST driven (NT:33)	1	
11	24331-30A10	GEAR, 3RD driven (NT:26)	1	
12	24341-35420	GEAR, 4TH driven (NT:20)	1	
13	09160-13006	WASHER, 1ST driven gear	1	
14	09263-13001	BEARING, drive shaft RH	1	
15	09283-17025	SEAL, drive shaft oil	1	
16	09380-17007	CIRCLIP, 4TH driven gear	1	
17	08110-62030	BEARING, drive shaft LH	1	
18	24741-09401	RETAINER, counter shaft	1	
19	02112-06103	SCREW	2	
20	27511-26400	SPROCKET, engine (NT:14)	1	
21	27600M20910-098L	CHAIN ASSY, drive 98L	1	
22	27620-20910	JOINT, drive	1	
23	08331-31166	CIRCLIP, engine sprocket	1	

2

FIG. 15



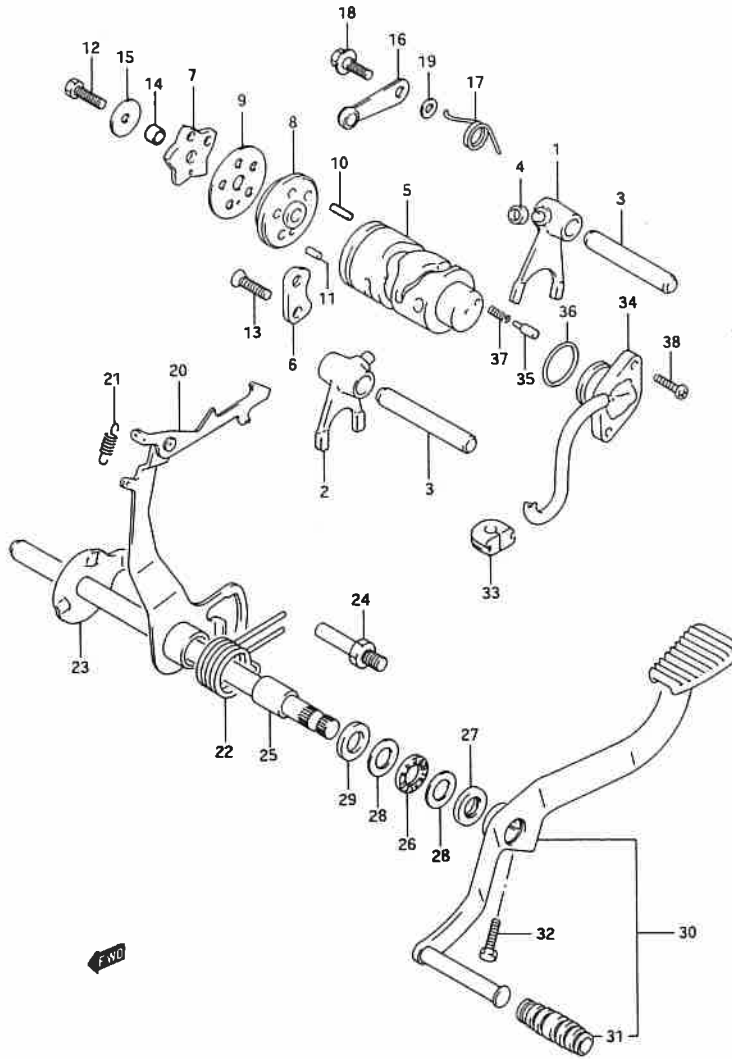
FC110

FIG. 15 (C-9) TRANSMISSION

REF. NO.	PART NO.	DESCRIPTIONS	QTY	REMARKS
1	25210-30A10	FORK, gear shift No. 1	1	
2	25220-30A10	FORK, gear shift No. 2	1	
3	25421-35403	SHAFT, shift fork	2	
4	09180-06086	SPACER, shift fork No.1	1	
5	25310-30A40	CAM, gear shift	1	
6	25341-09400	RETAINER, shift cam	1	
7	25381-30A20	PLATE, shift cam stopper	1	
8	25382-30A30	PLATE, shift cam No. 2	1	
9	25382M35411	GUIDE, GR SHF cam	1	
10	09261-04002	PIN, shift cam	2	
11	09261-04012	PIN, shift cam	2	
12	01500-06303	BOLT, shift cam pin	1	
13	02122-06163	SCREW, shift cam retainer	2	
14	04211-09109	PIN, stopper plate	1	
15	08211-06221	STOPPER, shift cam pin	1	
16	25350-09D00	STOPPER, shift cam	1	
17	25355-09400	SPRING, shift cam	1	
18	09111-06041	BOLT, shift cam	1	
19	08211-06121	WASHER, shift cam	1	
20	25520-09D03	ARM, gear shift	1	
21	09443-05019	SPRING, shift PAWL	1	
22	09444-25002	SPRING, shift arm return	1	
23	25510-30D00	SHAFT, gear shift	1	
24	25671-31C00	STOPPER, shift arm	1	
25	09180-12036	SPACER, shift arm	1	
26	09263-12019	BEARING, gear shift arm	1	
27	09285-12002	SEAL, shift shaft oil	1	
28	08211-12261	WASHER, shift shaft	1	
29	08211-20264	WASHER, shift shaft	1	
30	25600M30D000	LEVER ASSY, gear shift	1	
31	25652M16500	RUBBER, gear shift	1	
32	01500M06203	BOLT, shift level	1	
33	31482-47000	GROMMET, position SW	1	
34	37720-30D00	BASE ASSY, gear shift	1	
35	09209-05011	CONTACT, gear position	1	

2

FIG. 15



2

FIG. 15 ( C-10 ) GEAR SHIFTING

REF. NO.	PART NO.	DESCRIPTIONS	QTY	REMARK
36	09280-21008	O RING, gear shift	1	
37	09440-04010	SPRING, gear shift	1	
38	02112-05163	SCREW, gear shift	2	

FC110

FIG. 16

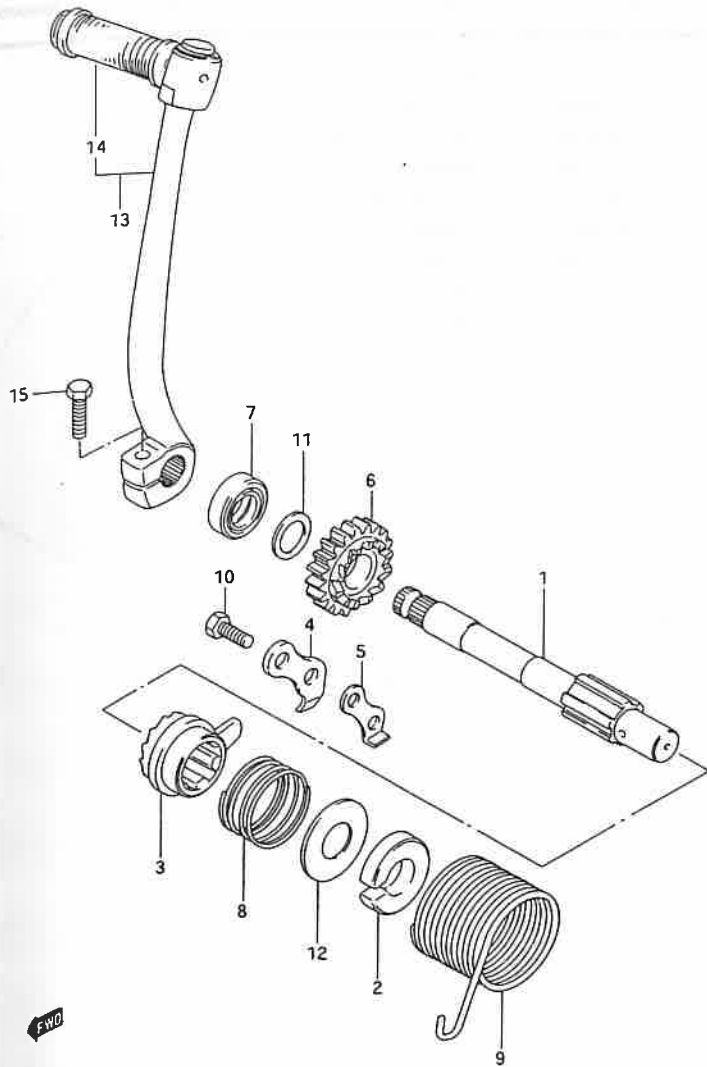


FIG. 16 ( C-11 ) KICK STARTER

REF. NO.	PART NO.	DESCRIPTIONS	Q'TY	REMARK
1	26211-09410	SHAFT, kick starter	1	
2	26221M30A00	GUIDE, kick starter SPR	1	
3	26231-09401	STARTER, kick	1	
4	26232-09401	GUIDE, kick starter	1	
5	26233-09400	STOPPER, kick starter	1	
6	26241-09410	GEAR, kick starter crive	1	
7	09285-14001	SEAL, kick starter	1	
8	09440-30007	SPRING, kick starter	1	
9	09448-38004	SPRING, kick shaft return	1	
10	01500-06123	BOLT, kick starter stopper	2	
11	08211-14221	WASHER, kick drive gear	1	
12	08211-14321	PLATE, kick starter SPR	1	
13	26300M30A21	LEVER ASSY, kick starter	1	
14	26352M01000	RUBBER, kick pedal	1	
15	01107M06235	BOLT, kick pedal	1	

2

FWD

FC110

FIG. 17

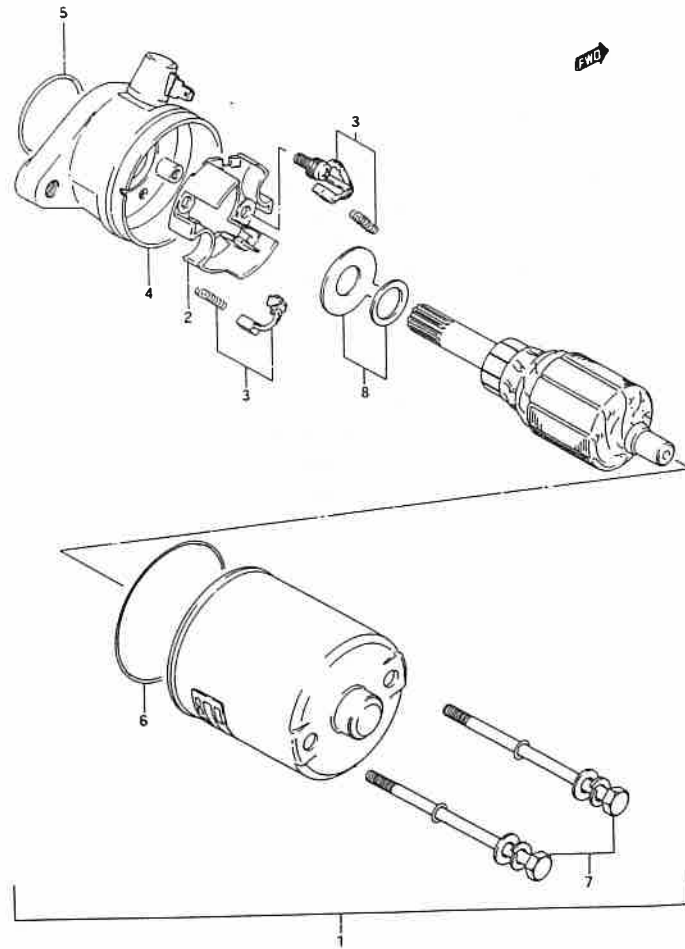


FIG. 17 (D-2) STARTER MOTOR

REF. NO.	PART NO.	DESCRIPTIONS	QTY	REMARK
1	31100-30D00	MOTOR ASSY, starting	1	
2	31130-35400	.HOLDER SET, brush	1	
3	31131-35400	.BRUSH SET	1	
4	31151-30D00	.HOUSING SET	1	
5	09280-25004	.0 RING	1	
6	31158-35400	.0 RING	1	
7	31280-31C00	.BOLT SET	1	
8	31170-43400	.SHIM SET	1	

FC110

FIG. 18

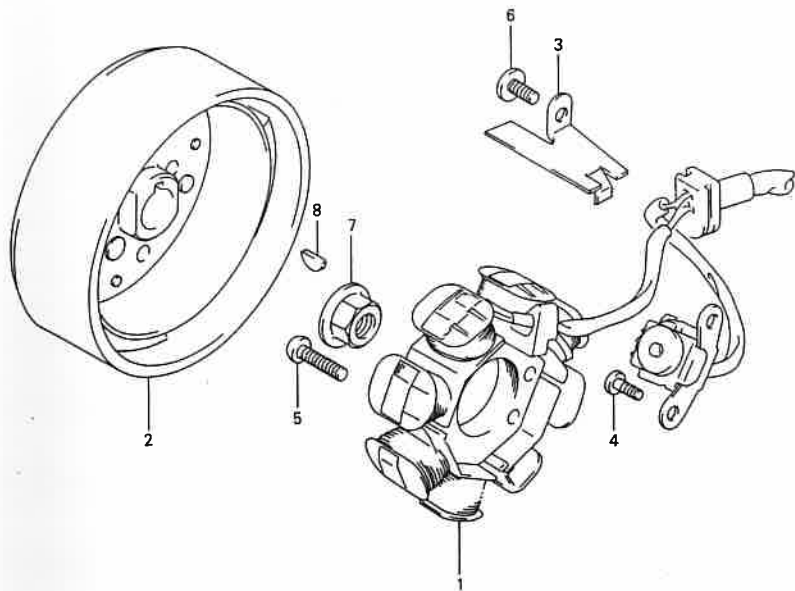


FIG. 18 ( D-3 ) MAGNETO

REF. NO.	PART NO.	DESCRIPTIONS	QTY	REMARK
1	32101-30D00	STATOR ASSY	1	
2	32102-30D00	ROTOR	1	
3	32371-30D00	CLAMP, MAGNETO LEAD	1	
4	02112-05103	SCREW, sensor	2	
5	02112-06203	SCREW, mangneto stator	2	
6	02142-06103	SCREW, magneto lead clamp	1	
7	08316-10123	NUT, magneto rotor	1	
8	08341-31039	KEY, magneto rotor	1	

3

FIG. 19

3

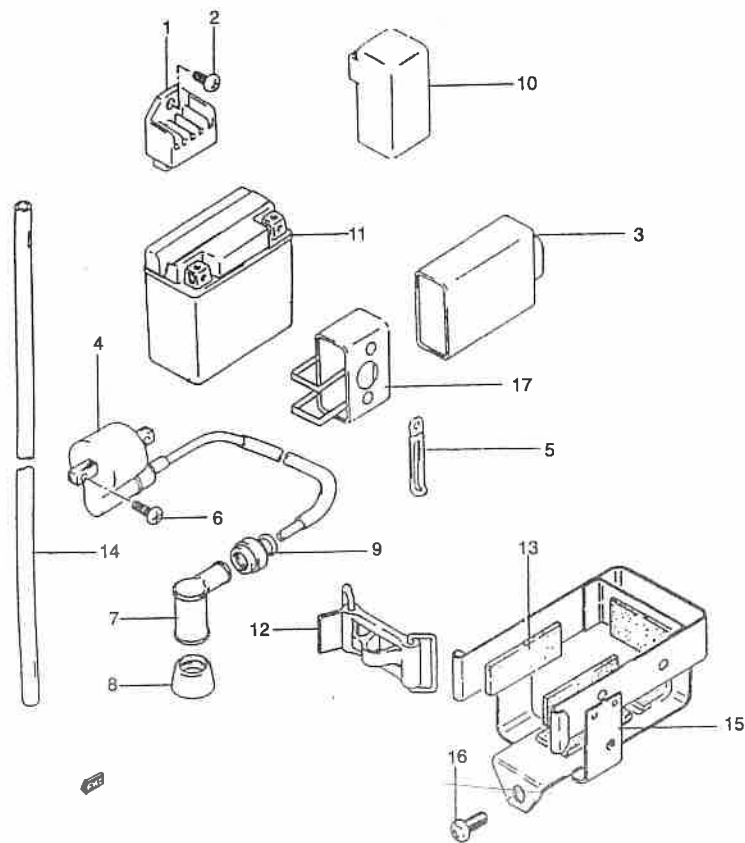


FIG. 19 (D-4) ELECTRICAL

REF. NO.	PART NO.	DESCRIPTIONS	Q'TY	REMARKS
1	32800-43E00	RECTIFIER ASSY	1	
2	02112-06123	SCREW	1	
3	32900M30D80	CDI UNIT	1	
4	33410-30D00	COIL ASSY, IGNITION	1	
5	09404-06429	CLAMP HIGH TENSION CORD	1	
6	02112-06163	SCREW, IGNITION COIL	2	
7	33510-22010	CAP SPARK PLUG	1	
8	33541-38210	SEAL SPARK PLUG	1	
9	33542-38B00	SEAL HIGH TENSION CORD	1	
10	31800-19D01	RELAY ASSY, STARTING MOTOR	1	
11	33610M35400	BATTERY ASSY	1	
12	33651M35400	BAND BATTERY	1	
13	33652M41D00	PROTECTOR BATTERY (40x25x2)	4	
14	33681-21D00	HOSE, BATT EXH	1	
15	41540M35420A	HOLDER COMP BATT	1	
16	02112-36123	SCREW	1	
17	32980M30D20	CUSHION CDI UNIT	1	



FIG. 20

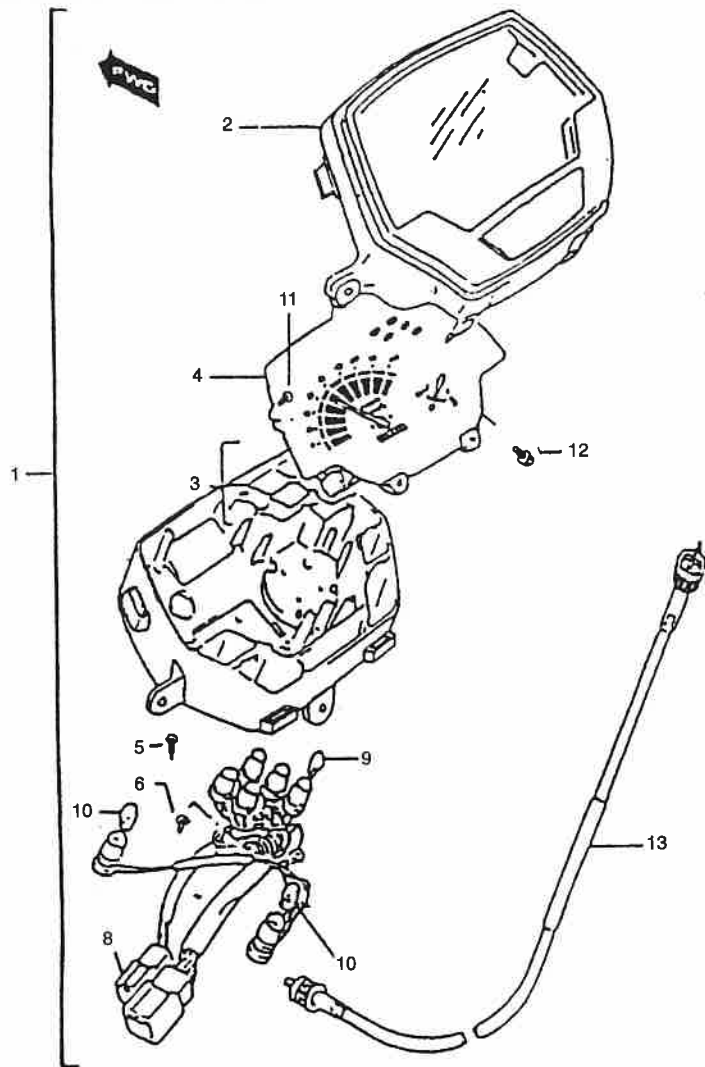
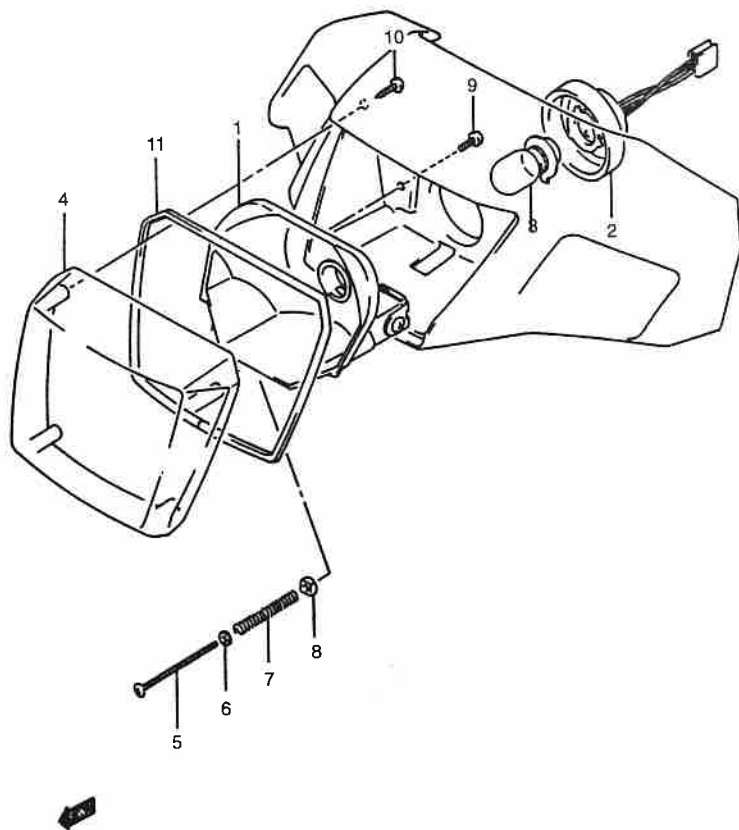


FIG. 20 (D-10) SPEEDOMETER

REF. NO.	PART NO.	DESCRIPTIONS	QTY	REMARKS
1	34100M10C50	SPEEDOMETER ASSY	1	
2	34112M30D20A	CASE, meter upper	1	
3	36300M31831	LENS SET, pilot	1	
4	34120M30D20	SPEEDOMETER (kilo)	1	
5	02112-73103	SCREW	2	
6	34182M12B00	SCREW, FUEL METER	3	
7	34111M31C00	CASE, meter lower	1	
8	34170M31C00	SOCKET, meter	1	
9	09471M12100	BULB (12V, 1.7W)	5	
10	09741M12077	BULB (12V, 1.7W)	2	
11	34148M31C00	SCREW, dial plate	2	
12	03541-04163	SCREW, speedometer	3	
13	34910M31C00A	CABLE ASSY, speedometer	1	

3

FIG. 21



3

FIG. 21 (D-11) HEADLAMP

REF. NO.	PART NO.	DESCRIPTIONS	Q'TY	REMARKS
1	35120M31C00	REFLECTOR, headlamp	1	
2	35171-37B00	SOCKET	1	
3	09471-12013	BULB (12V, 25/25W)	1	
4	35124-31C00	LENS, headlamp	1	
5	35151M31C00	SCREW, adjuster	1	
6	35128M37B00	WASHER	1	
7	35154M31C00	SPRING	1	
8	35152M45600	NUT	1	
9	02112M05123	SCREW	2	
10	09132M04026	SCREW	4	
11	35125M30D00	GASKET, lens	1	

FIG. 22

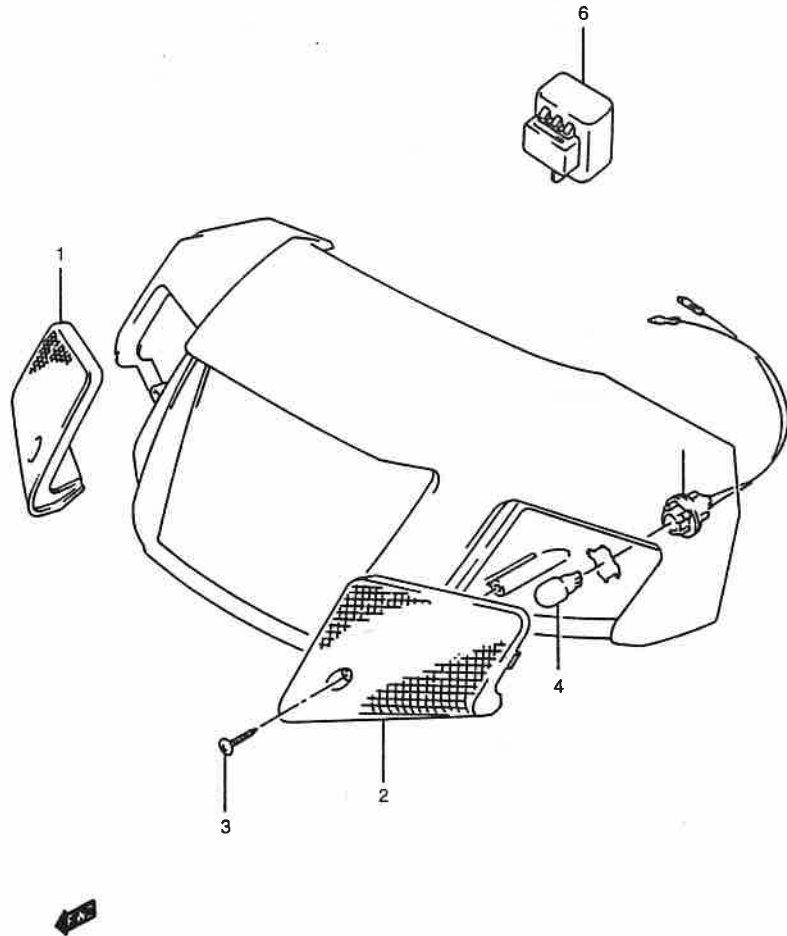


FIG. 22 (C-12) FRONT TURNSIGNAL LAMP

REF. NO.	PART NO.	DESCRIPTIONS	Q'TY	REMARKS
1	35612M31C10	LENS, front turnsignal lamp RH	1	
2	35632M31C10	LENS, front turnsignal lamp LH	2	
3	03511-04163	SCREW	2	
4	09471M12114	BULB (12V, 10W)	2	
5	35618M37B00	SOCKET, front turnsignal	2	
6	38610-09410	RELAY ASSY, turnsignal/buzzer	1	

3

FIG. 23

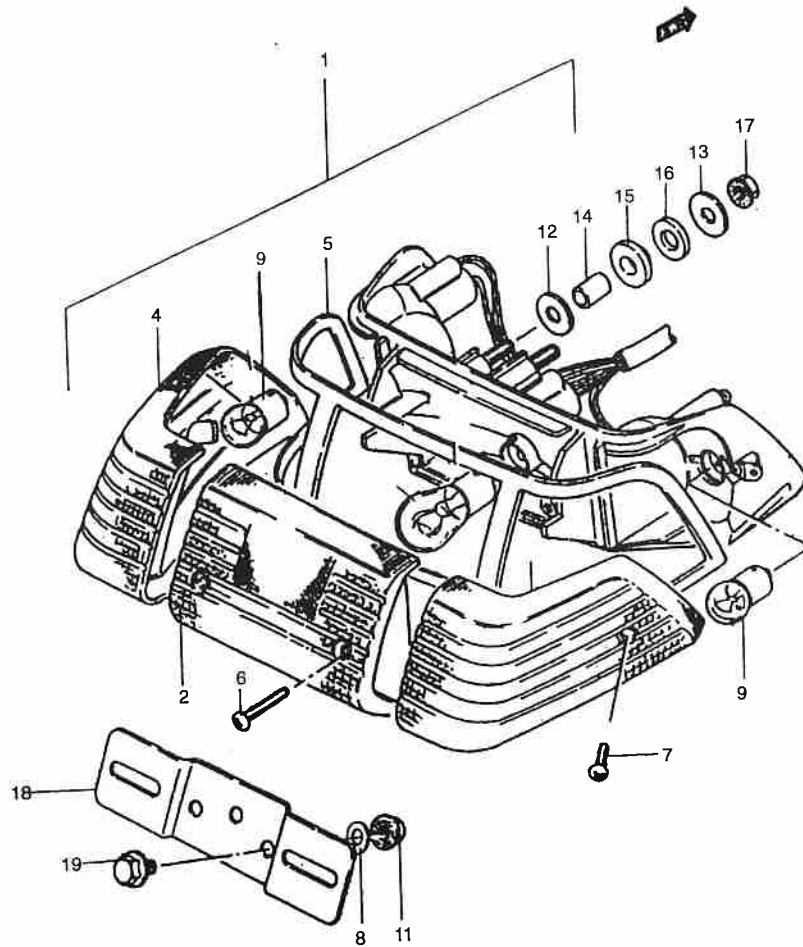


FIG. 23 (D-7) REAR COMBINATION LAMP

REF. NO.	PART NO.	DESCRIPTIONS	Q'TY	REMARKS
1	35710M10C50	LAMP ASSY, rear combination	1	
2	35712M10C50	LENS COMP RR LOMP LAMP	1	
3	35652M10C50	LENS, turn signal R	1	
4	35672M10C50	LENS, turn signal L	1	
5	35713M35401	GASKET, rear comp	1	
6	03211M04256	SCREW	2	
7	02112M04106	SCREW	2	
8	09169M06071A	WASHER, license plate BRKT	2	
9	09471M12003	BULB	2	
10	09471M12008	BULB (12V, 1013W)	1	
11	08310-00063	NUT, license plate BRKT	2	
12	09160-06109	WASHER	3	
13	09160-06077	WASHER	3	
14	09180M06084	SPACER	3	
15	09320-09003	CUSHION	3	
16	09320-09004	CUSHION	3	
17	08316-20063	NUT, RR comb lamp	3	
18	35927M36510	BRKT, license plate	1	
19	02142-06123	SCREW	2	

FIG. 24

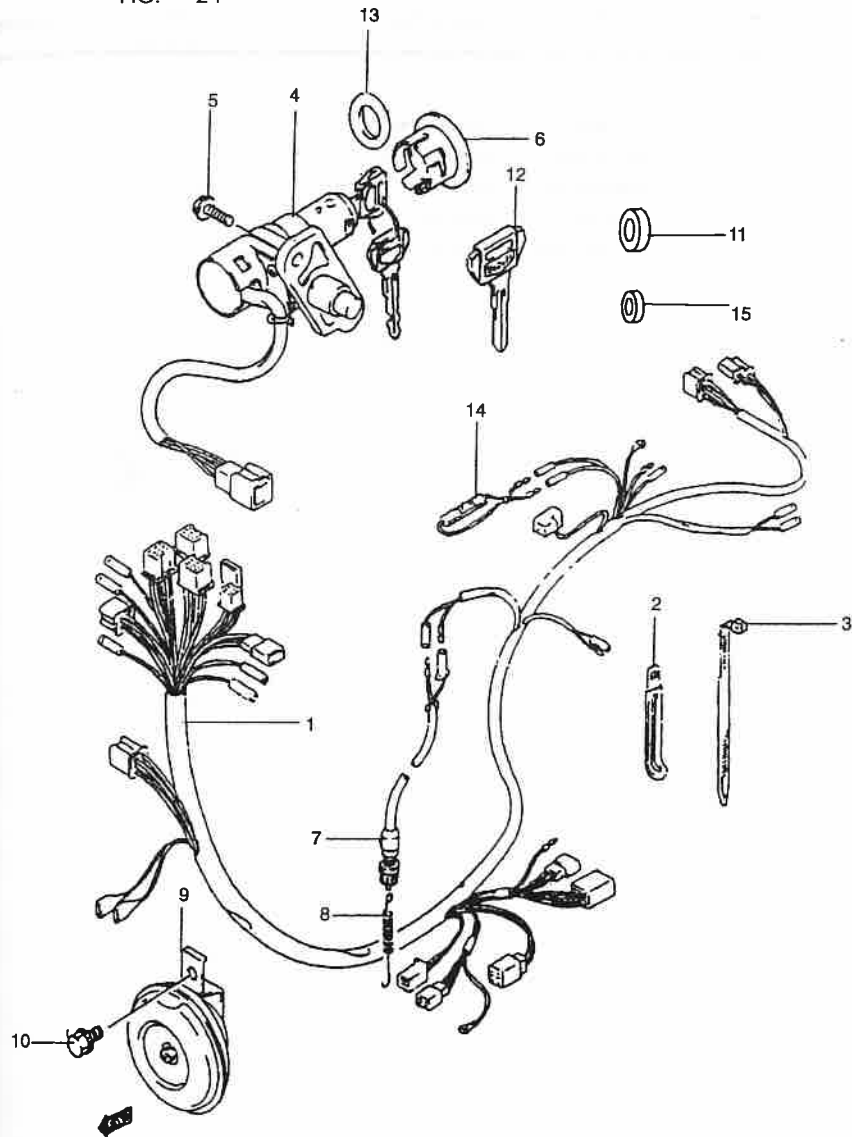
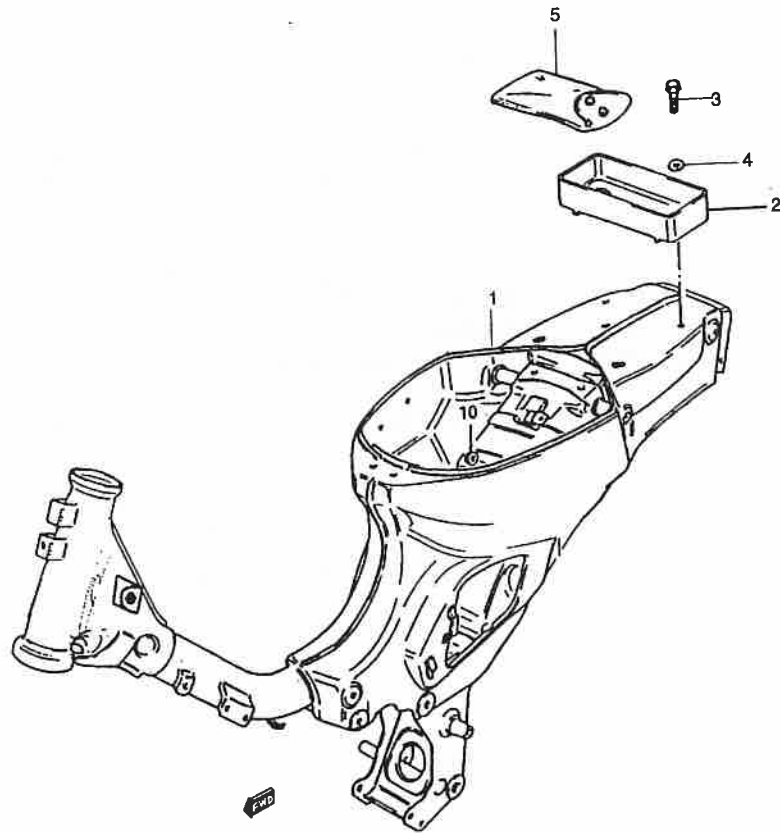


FIG. 24 (D-8) WIRING HARNESS

REF. NO.	PART NO.	DESCRIPTIONS	QTY	REMARKS
1	36610M10C50	HARNESS WIRING	1	14-40
2	09404-06429	CLAMP	2	14-41
3	09407-25401	CLAMP	5	14-43
4	37100-30D20	LOCK ASSY STEERING	1	13-1-6
5	01550-06163	SCREW	2	13-3
6	37155M31C00	CAP, STEERING LOCK	1	13-2
7	37740-04502	SWITCH ASSY, STOP LAMP	1	14-60-1
8	09443-06083	SPRING	1	14-60-2
9	38500-31C01	HORN ASSY	1	14-70
10	01550-08123	BOLT HORN	1	14-71
11	09308-10017	GROMMET, RR FENDER	1	14-34
12	37146-03A00	KEY, BLANK	1	
13	37159M31C00	SPACER, CAP STEERING LOCK	1	13-4
14	09481M10D01	FUSE (IDA)	1	
15	09308-10012	GROMMET FRAME	1	14-32

FIG. 25



4

FIG. 25 (D-2) FRAME

REF. NO.	PART NO.	DESCRIPTIONS	QTY	REMARKS
1	41100M10C50	FRAME COMP	1	
2	47431M35400	HOLDER TOOL	1	
3	02142M06203	BOLT TOOL HOLDER	2	
4	09169-06059	WASHER	2	
5	09800M21004A	TOOL ASSY	1	

FIG. 26

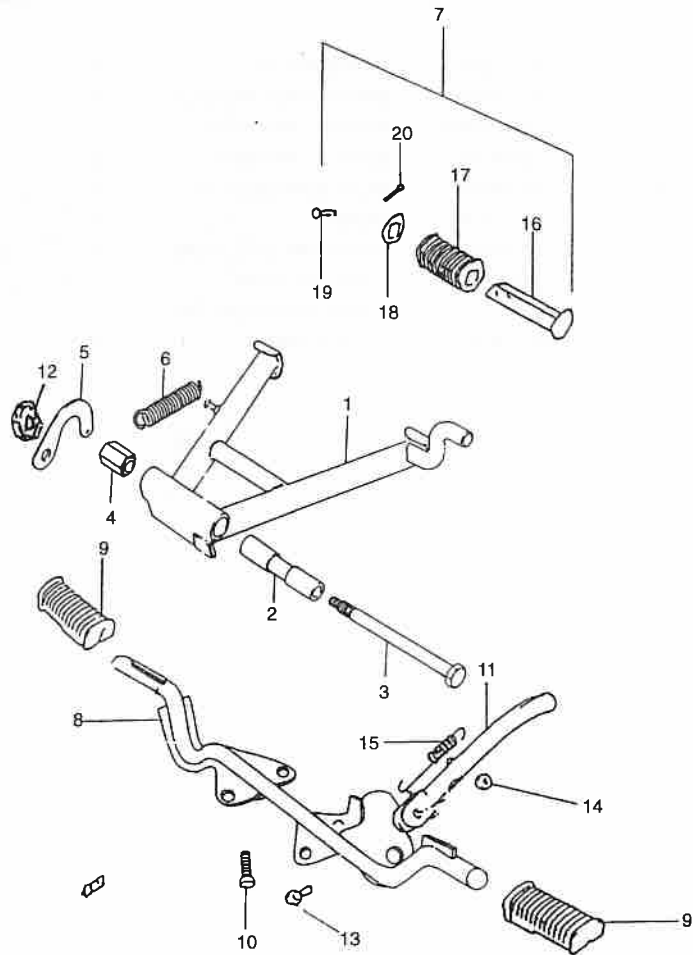


FIG. 26 STAND-FOOTREST

REF. NO.	PART NO.	DESCRIPTIONS	Q'TY	REMARKS
1	42100M30D99B	STAND COMP CENTER	1	
2	42211M03001	SPACER, center stand	1	
3	42221M03001	BOLT, center stand	1	
4	42231-31C00	NUT, center stand spring	1	
5	42251M03004	HOOK, center stand spring	1	
6	09443-16007	SPRING, center stand	1	
7-1	43610M31C99B	BAR COMP PILLION FIREST R	1	
7-2	43620M31C99A	BAR COMP PILLION FIREST L	1	
8	43510M30D00C	BAR COMP, front footrest	1	
9	43551M39110	RUBBER, front footrest	2	
10	01550-08163	BOLT, front footrest bar	4	
11	42310M30D00B	STAND, comp prop	1	
12	09140-10043	NUT, pillion footrest LWR	1	
13	09100M10007	BOLT PROP STAND	1	
14	09140-10043	NUT, prop stand	1	
15	09443M14022	SPRING PROP STAND	1	
16-1	43610M39310	BAR, pillion footrest RH	1	
16-2	43620M39310	BAR, pillion footrest LH	1	
17	43612M30D00B	RUBBER PILLION FOOTREST	2	
18	43631M39310	WASHER PILLION FOOTREST	2	
19	09200M06033	PIN PILLION FOOTREST	2	
20	04111-20158	PIN, COTTER	2	

4

FIG. 27

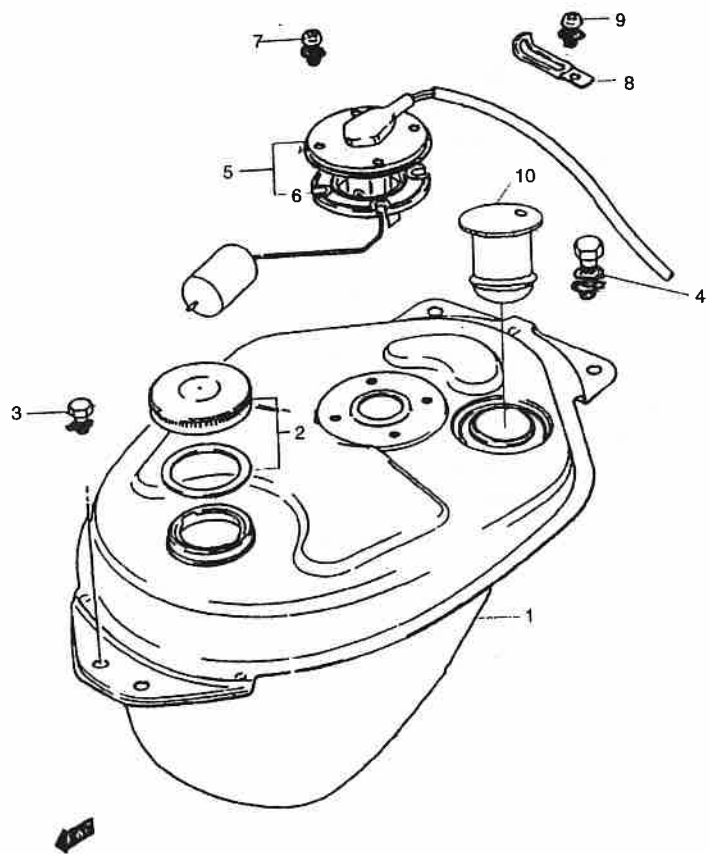


FIG. 27 (E-4) FUEL TANK

REF. NO.	PART NO.	DESCRIPTIONS	QTY	REMARKS
1	44110-35400	TANK COMP FUEL	1	
2	44210-35014	CAP COMP FUEL TANK FILLER	1	
3	01580M06253	BOLT FUEL TANK FRONT	2	
4	01580M08203	BOLT FUEL TANK REAR	2	
5	34810M35400	GAUSE ASSY FUEL LEVEL	1	
6	34825-02100	GASKET	1	
7	02112-35123	SCREW, FUEL LEVEL GAUSE	4	
8	09404-06429	CLAMP FUEL GAUSE	1	
9	02112-36103	SCREW FUEL GAUSE CLAMP	1	
10	44501M10C50	CAP, FUEL TANK	1	



FIG. 28

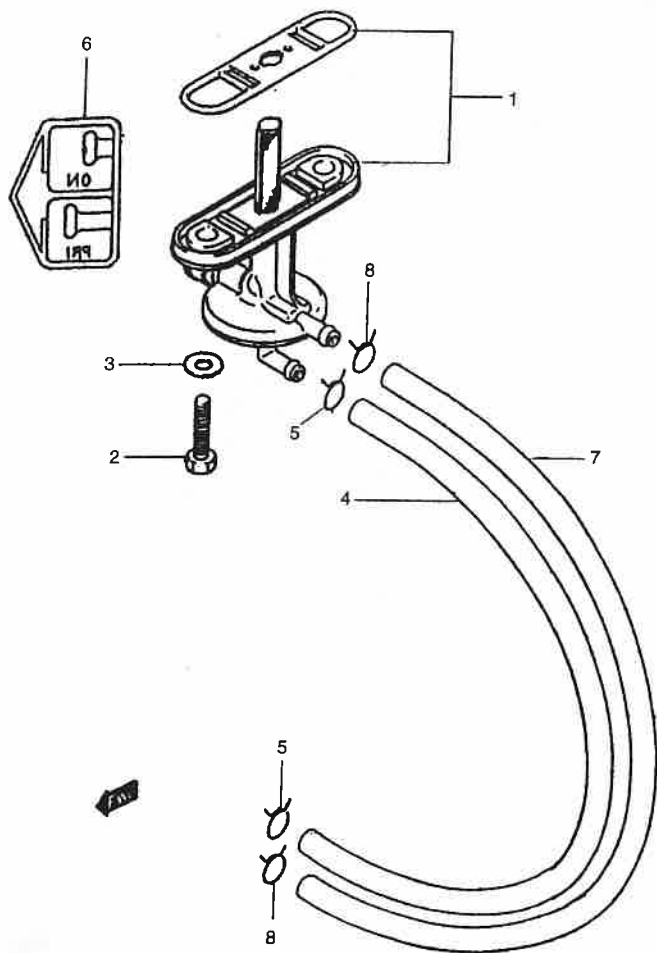
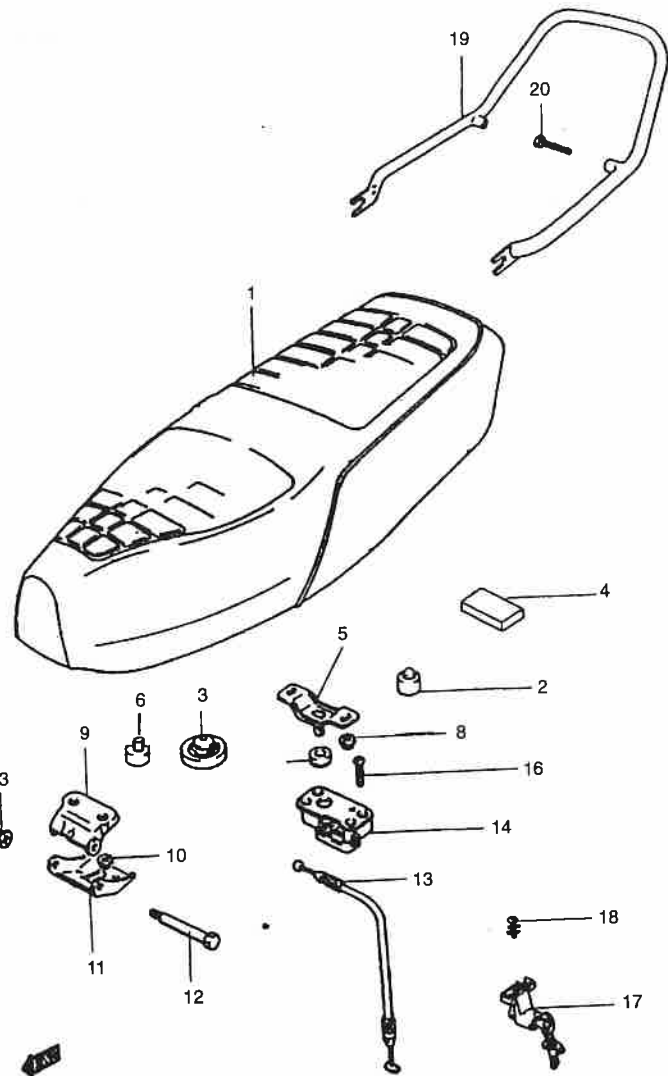


FIG. 28 (E-5) FUEL COCK

REF. NO.	PART NO.	DESCRIPTIONS	QTY	REMARKS
1	44300-21D00	COCK ASSY, FUEL	1	
2	09128M06006	BOLT	2	
3	09168-06026	GASKET	2	
4	09355-50105-645	HOSE, FUEL	1	
5	09401-09403	CLIP, FUEL HOSE	2	
6	68622-35400	LABEL, FUEL COCK OPERATING	1	
7	09325-50823-580	HOSE VACUUM	2	

4

FIG. 29



4

FIG. 29 SEAT

REF. NO.	PART NO.	DESCRIPTIONS	Q'TY	REMARKS
1	45100M35500	SEAT ASSY	1	
2	45149M35400	CUSHION, SEAT RR	2	
3	09321M10C99A	CUSHION, SEAT	2	
4	94982M29400	CUSHION, TOOL STOPPER	1	
5	45210-35400	STRIKER COMP SEAT LOCK	1	
6	09321M10C99A	CUSHION SEAT FR	2	
7	45213-31600	CUSHION, STRIKER	1	
8	08361-35066	NUT, seat lock striker	2	
9	45210M21D10	BRACKET COMP SEAT SPRT FR	1	
10	08316-35066	NUT, SEAT SPRT FR	2	
11	45285M35401A	BRACKET, SEAT SPRT FR	1	
12	09116-06001	BOLT, SEAT SUPPORT FR	1	
13	08316-35066	NUT, SEAT SUPPORT BRKT	1	
14	45220-35400	LOCK ASSY SEAT STRIKER	1	
15	45280M35400	CABLE, SEAT LOCK	1	
16	02122-06303	SCREW, LOCK ASSY SEAT STRIKER	1	
17	95705-35410	LOCK ASSY SEAT	1	
18	02112-75103	SCREW	2	
19	46210M35473	HANDLE PILLION RIDER	1	
20	01184M08506	BOLT PILLION RIDER HANDLE	2	

FIG. 30

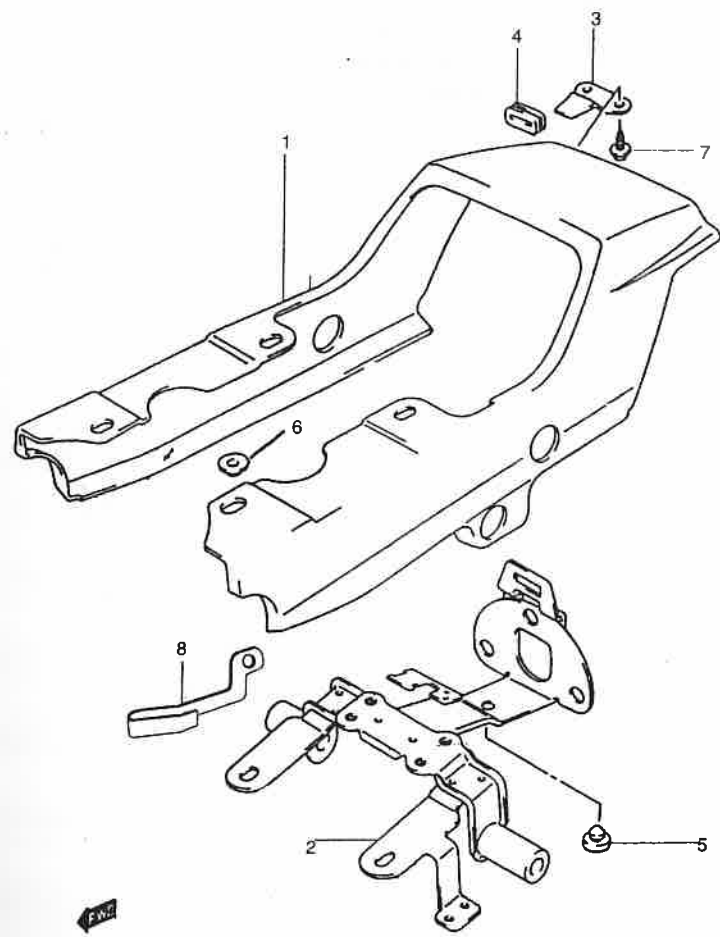


FIG. 30 (D-9) TAIL COVER

REF. NO.	PART NO.	DESCRIPTIONS	QTY	REMARKS
1	45511M35430	COVER, SEAT TAIL	1	
2	45530M35430	BRACKET COMP, SEAT TAIL COVER	1	
3	45524M35410	PLATE TAIL COVER	1	
4	45528M35410	CUSHION, SEAT TAIL COVER	1	
5	09329M10001	CUSHION, BRACKET SEAT TAIL	1	
6	09169-08036	WASHER SEAT TAIL FR	2	
7	03511-14123	SCREW, SEAT TAIL COVER	2	
8	95721M31C00	HOLDER HELMET	1	

4

FIG. 31

FIG. 31 (D-10) FRAME COVER

REF. NO.	PART NO.	DESCRIPTIONS	QTY	REMARKS
1	47111M35430B	COVER, SIDE RH	1	
2	47211M35430	COVER, SIDE LH	1	
3	47232-35401	SCREW, FRAME COVER P/L	2	
4	08332-11056	E-RING	2	

4

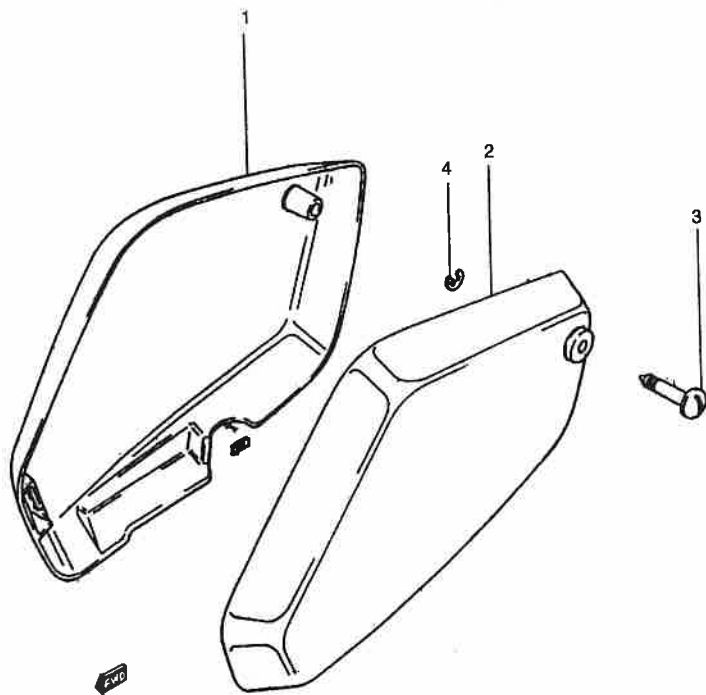
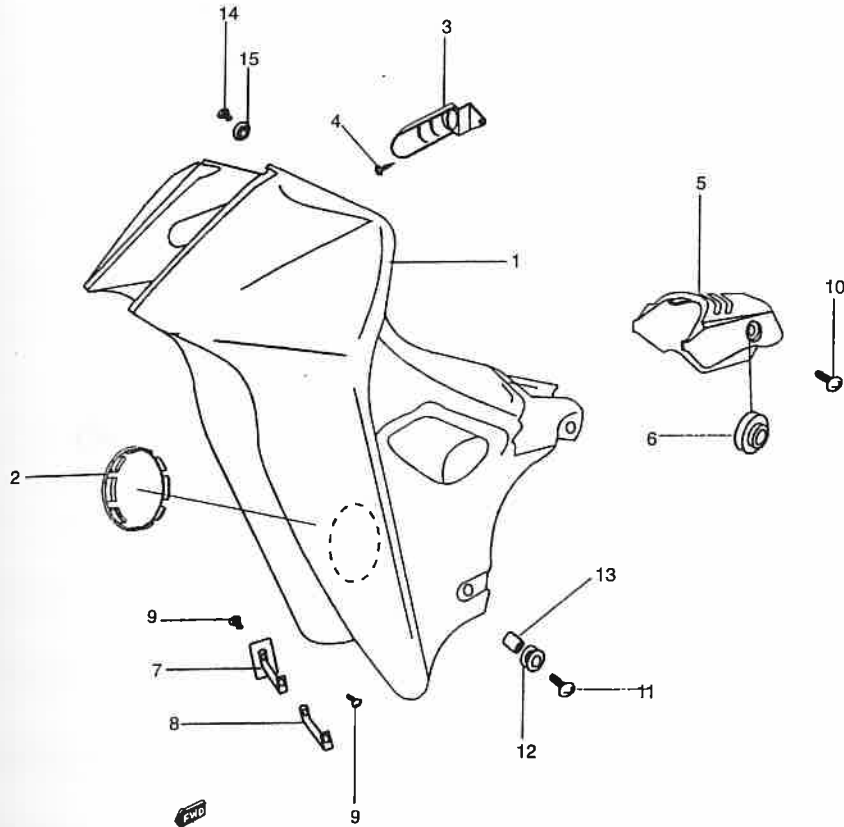


FIG. 32

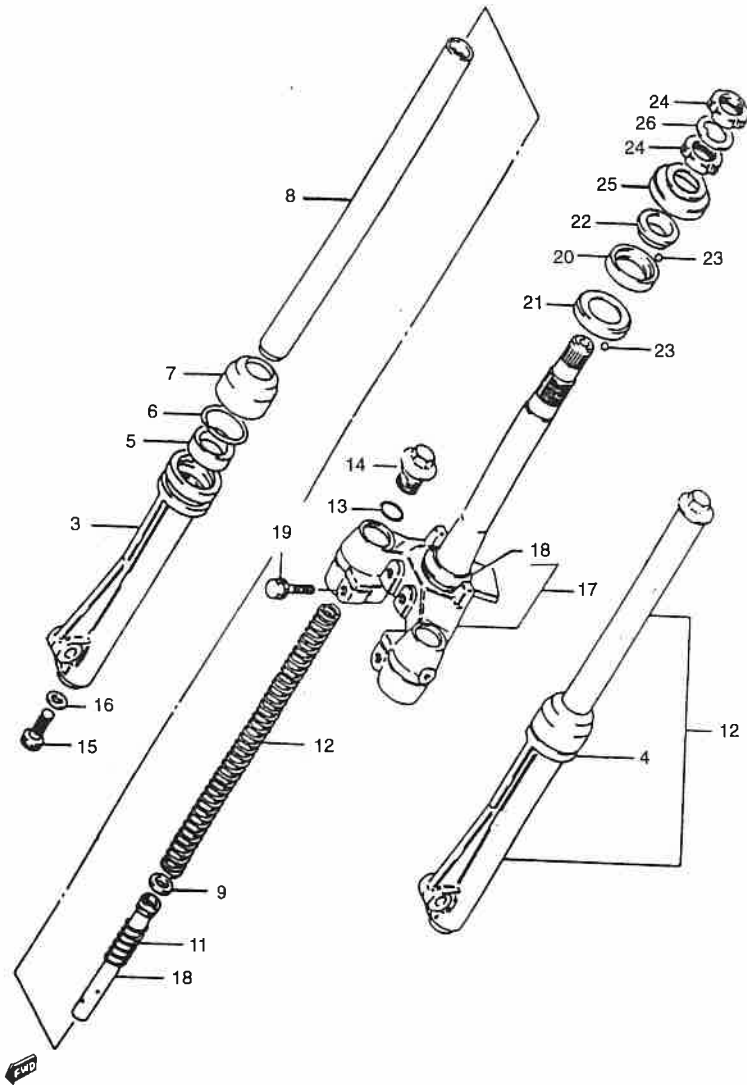
FIG. 32 (D-11) LEG SHIELD

REF. NO.	PART NO.	DESCRIPTIONS	Q'TY	REMARKS
1	48111M10C50A	SHIELD LEG	1	
2	48277M10C50	CAP, LEG SHIELD	1	
3	48272M10C50	COVER, MAIN SWITCH	1	
4	03541M04128	SCREW, COVER MAIN SWITCH	1	
5	48241M10C50	MOLDING, LEG SHIELD	1	
6	48248M10C50A	SPACER, LEG SHIELD MOLDING	1	
7	48140M30D99B	BRACE COMP, LEG SHIELD R	1	
8	48150M30D00B	BRACE COMP, LEG SHIELD L	1	
9	02112-36163	SCREW LEG SHIELD BRACE	2	
10	09136-06103	SCREW LEG SHIELD REAR	2	
11	09136-06009	SCREW LEG SHIELD LOWER BRACE	2	
12	09180M06263	SPACER, LEG SHIELD LOWER	2	
13	09320M09026	CUSHION, BRACE LEG SHIELD LOWER	2	
14	09136-06103	SCREW, LEG SHIELD FR	2	
15	09160-06066	WASHER, LEG SHIELD FR	2	



4

FIG. 33



FC110

FIG. 33 (F-2) FRONT FORK

REF. NO.	PART NO.	DESCRIPTIONS	Q'TY	REMARKS
1	51103M35400	DAMPER ASSY, front RH	1	
2	51104M35400	DAMPER ASSY, front LH	1	
3	51130M35400	OUTER TUBE, RH	1	
4	51140M35400	OUTER TUBE, LH	1	
5	51153-02501	OIL SEAL	2	
6	51156-43010	RING	2	
7	51173-43210	DUST SEAL	2	
8	51111M35400	INNER TUBE	2	
9	51196-39140	RING, piston	2	
10	51146-35420	CYLINDER	2	
11	51177-35400	SPRING	2	
12	51171-35400	SPRING	2	
13	09280-15007	O RING	2	
14	51351-03A00	BOLT, cap	2	
15	51147-16510	BOLT	2	
16	51148-41310	GASKET	2	
17	51410-31C01	STEM, steering	1	
18	51622M35400	RACE, steering outer, lower	1	
19	01147M08308	BOLT, under bracket	2	
20	51611-20002	RACE, steering inner, upper	1	
21	51612-35400	RACE, steering inner, lower	1	
22	51621-25000	RACE, steering inner, upper	1	
23	06111-06004	BALL	49	
24	51631-05000	NUT, steering stem	2	
25	51643M06001	DUST SEAL, steering, upper	1	
26	09166-24001	WASHER	1	

FIG. 34

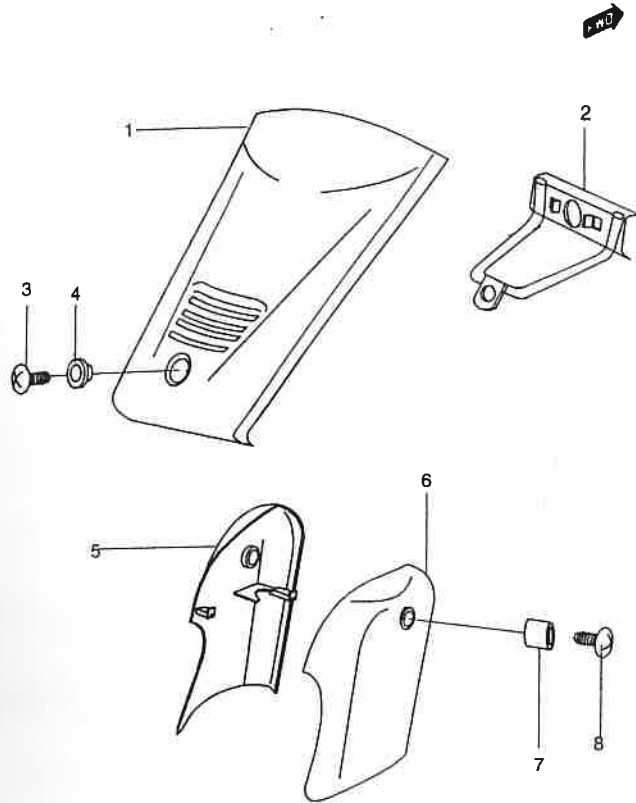


FIG. 34 (E-3) FRONT FORK COVER

REF. NO.	PART NO.	DESCRIPTIONS	QTY	REMARKS
1	51871M10C50B	COVER FRAME HEAD	1	
2	51860M10C50	BRACE COMP PRAME HEAD COVER	1	
3	02142M06017	SCREW, FRAME HEAD COVER	1	
4	09169-06010	WASHER, FRAME HEAD COVER	1	
5	51881M30D10	COVER, FRONT FORK SIDE RH	1	
6	51882M30D10	COVER, FRONT FORK SIDE LH	1	
7	09180M06089	SPACER	2	
8	02142M06167	SCREW	2	

4

FIG. 35

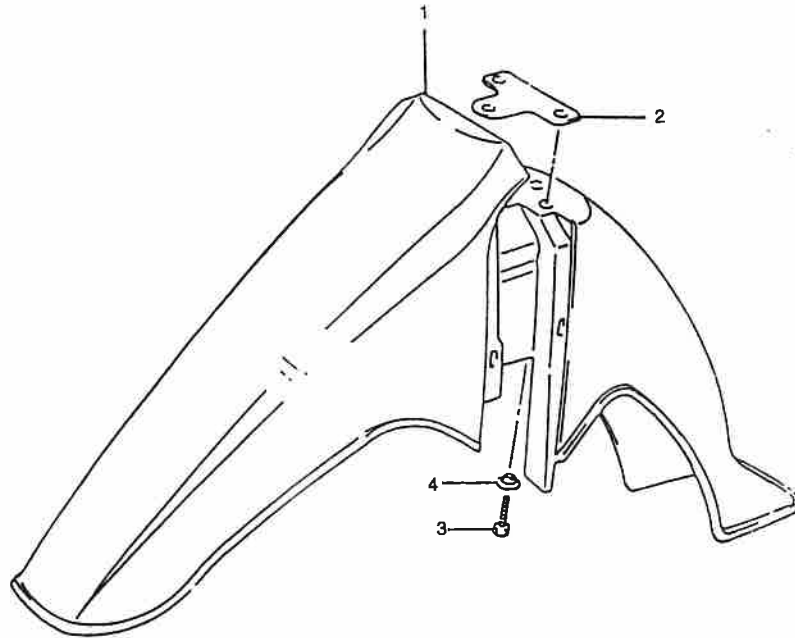


FIG. 35 (E-3) FRONT FORK COVER

REF. NO.	PART NO.	DESCRIPTIONS	Q'TY	REMARKS
1	53111M30D10	FENDER, front	1	
2	53124M35400	REINFORCEMENT, front fender	1	
3	01104M06166	BOLT, front fender	3	
4	09169-06060	WASHER, fender FB	3	

4

FWO



FIG. 36

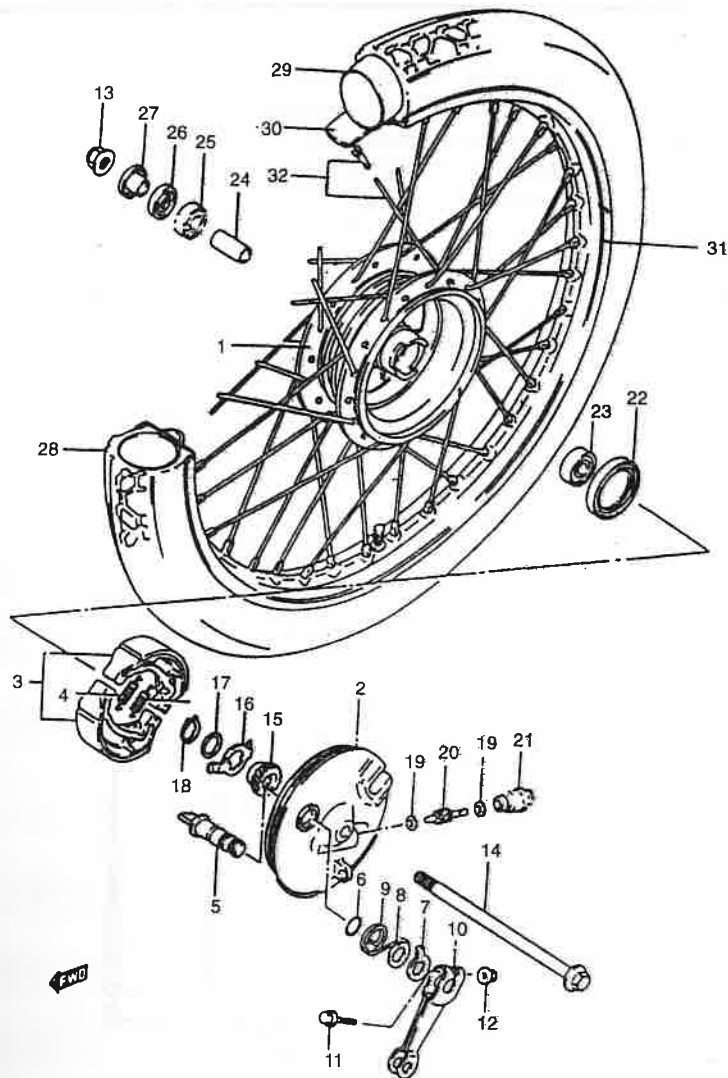


FIG. 36 (E-5) FRONT WHEEL

REF. NO.	PART NO.	DESCRIPTIONS	Q'TY	REMARKS
1	54110M35401	HUB COMP, front wheel	1	
2	54210M35402	PANEL COMP, front hub	1	
3	54410M35060	SHOE, comp FR brake	2	
4	09443M07025	SPRING	2	
5	54441-16D00	CAM, front brake	1	
6	09280-14003	O RING	1	
7	54492-35400	PLATE, brake lining	1	
8	09160-14054	WASHER	1	
9	09448-30009	SPRING, cam lever return	1	
10	54451-35400	LEVEL, brake cam	1	
11	09103-06045	BOLT, FR brake cam lever	1	
12	08316-10063	NUT, FR brake cam lever	1	
13	08319-31108	NUT, front axle	1	
14	54711-35411	AXLE, front	1	
15	54611-03601	GEAR, speedometer (NT:23)	1	
16	54661-03000	DRIVER, speedometer gear	1	
17	09160-16005	WASHER, 16X22X1	1	
18	08331-31156	CIRCLIP, speedometer gear	1	
19	09160-05001	WASHER, 5.1X8X0.4	2	
20	54621-39202	PINION, speedometer (NT:9)	1	
21	54632-02201	BUSHING, driven gear outer	1	
22	09285-43001	OIL SEAL	1	
23	08123M63007	BEARING, LH	1	
24	09180M10091	SPACER, bearing	1	
25	08123M62007	BEARING, RH	1	
26	09284-15001	OIL SEAL	1	
27	54740-26101	SPACER, comp FR axle RH	1	
28	55100M09401	TIRE, front, 60/100-17	1	
29	55200M01011	TUBE, Inner	1	
30	55261M01010	PROTECTOR, Inner tube	1	
31	55311M01021	RIM, FR wheel 1.20x17	1	
32	55320M01021	SPOKE ASSY, front	1	

4

FIG. 37

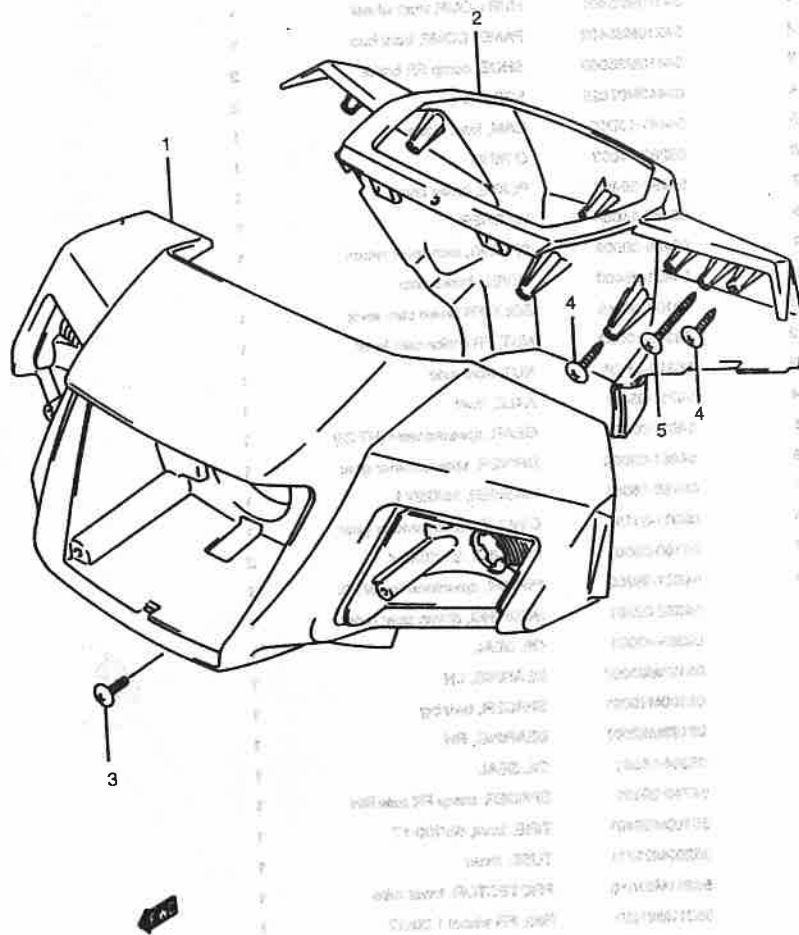


FIG. 37 (E-7) HANDLE COVER

REF. NO.	PART NO.	DESCRIPTIONS	QTY	REMARKS
1	56311M31C00	COVER, handle, front	1	
2	56321M31C00	COVER, handle, rear	1	
3	02142M05123	SCREW, front	1	
4	03541-05203	SCREW	4	
5	03451-05403	SCREW	2	

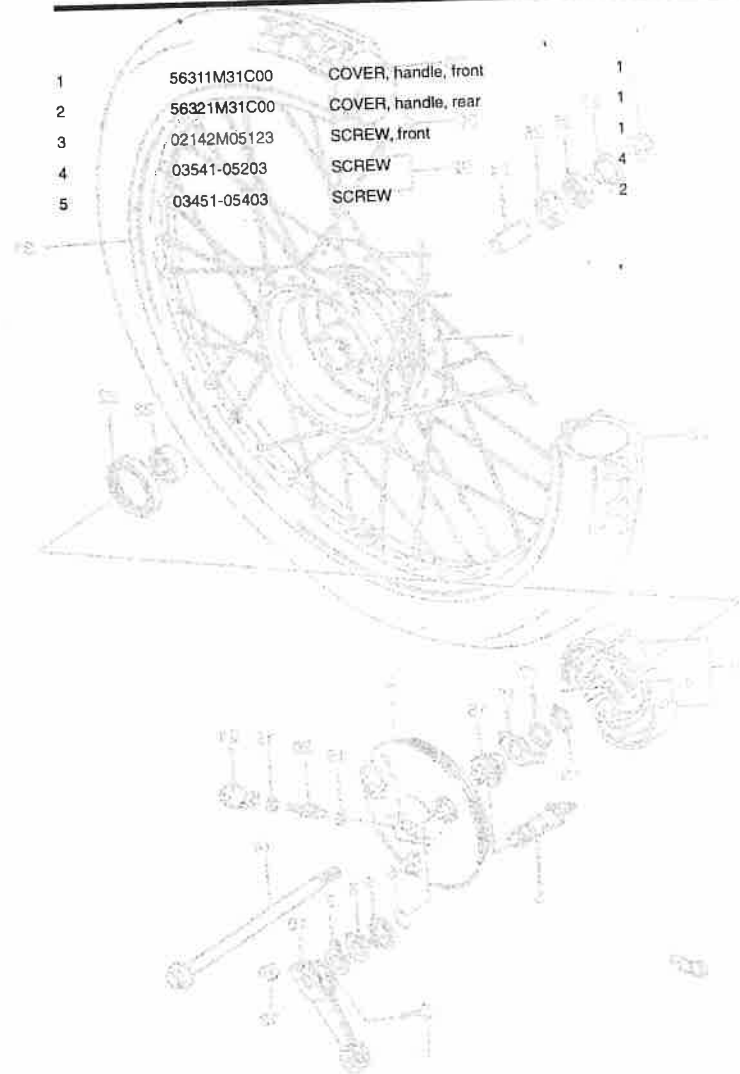


FIG. 38

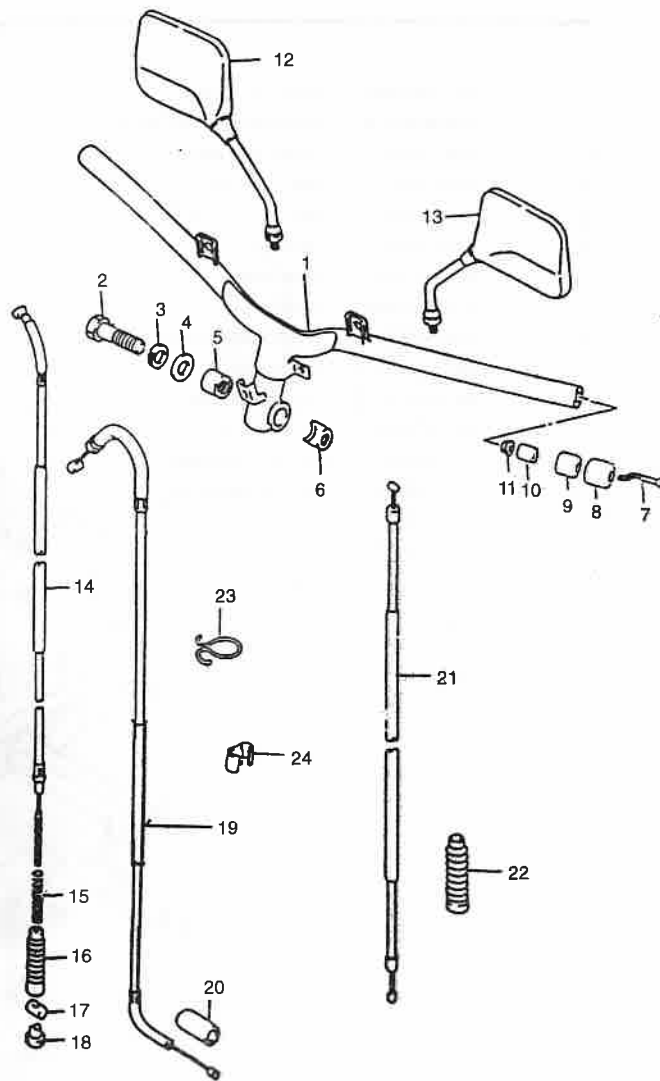
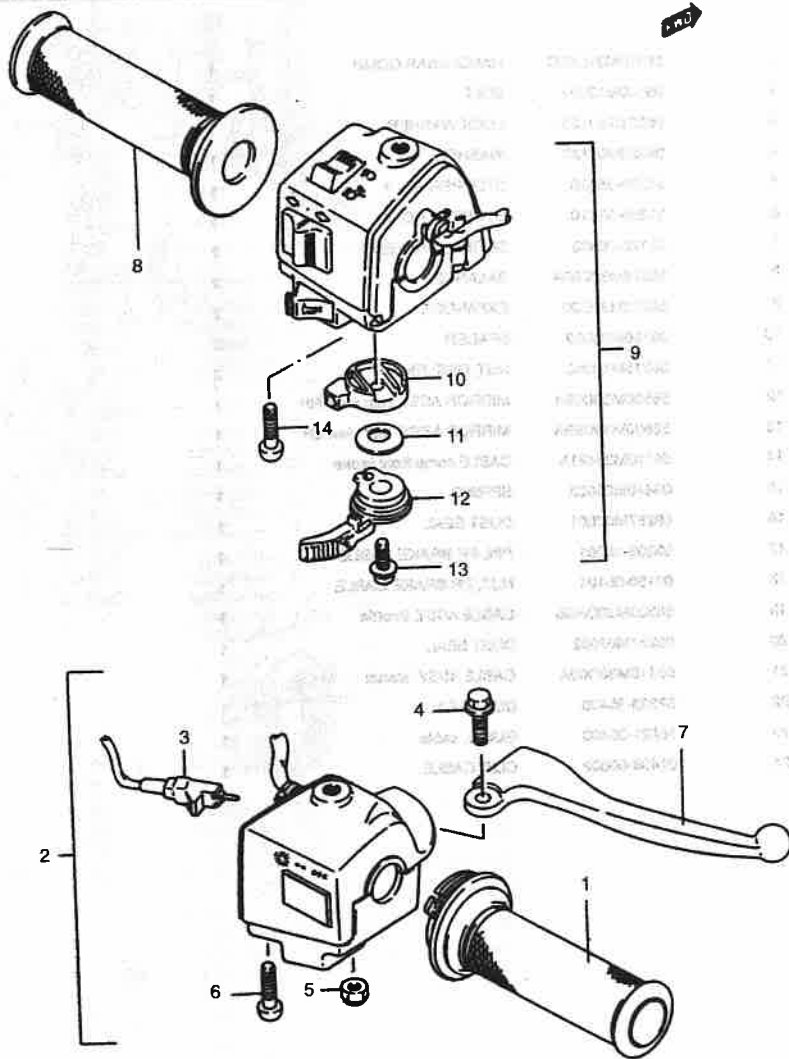


FIG. 38 (E-8) HANDLEBAR

REF. NO.	PART NO.	DESCRIPTIONS	Q'TY	REMARKS
1	56110M31C00C	HANDLEBAR COMP	1	
2	09100M12061	BOLT	1	
3	083210-01123	LOCK WASHER	1	
4	08322M01123	WASHER	1	
5	51358-35420	STOPPER NO. 1	1	
6	51359-35410	STOPPER NO. 2	1	
7	02122-06803	SCREW, GRID END	2	
8	56278M32E00A	BALANCER	2	
9	56272M31C00	EXPANDER	2	
10	09180M06069	SPACER	2	
11	08316M10063	NUT, GRIP END	2	
12	56500M30D99A	MIRROR ASSY, rear view RH	1	
13	56600M30D99A	MIRROR ASSY, rear view LH	1	
14	58110M35421A	CABLE comp front brake	1	
15	09440M06003	SPRING	1	
16	09287M07001	DUST SEAL	1	
17	09209-10001	PIN, FR BRAKE CABLE	1	
18	09150-05101	NUT, FR BRAKE CABLE	1	
19	58300M30DA0B	CABLE ASSY, throttle	1	
20	09287M07002	DUST SEAL	1	
21	58410M30D00A	CABLE ASSY, starter	1	
22	58333-35400	DUST SEAL	1	
23	58621-35400	GUIDE, cable	1	
24	09408-00002	CLIP, CABLE	1	

4

FIG. 39



4

FIG. 39 (E-9) HANDLE SWITCH

REF. NO.	PART NO.	DESCRIPTIONS	QTY	REMARKS
1	57110M30D00C	GRIP comp throttle	1	
2	57300M35471B	LEVER HOLDER & SWITCH ASSY	1	
3	57460-35401	STOP LAMP SW ASSY	1	
4	57431-02910	BOLT, lever set	1	
5	08319-21053	NUT	1	
6	09125-05065	SCREW	1	
7	57421M35410	LEVER, brake	1	
8	57211M30D00A	GRIP, LH	1	
9	37400M35401	SWITCH ASSY HANDLE LH	1	
10	58711T13201	BODY, STARTER	1	
11	58722-03011	WASHER, ADJUST	1	
12	58721-35400	LEVER, choke	1	
13	37574-49440	SCREW, choke lever	1	
14	09125-05065	SCREW, handle SW	2	

FIG. 40

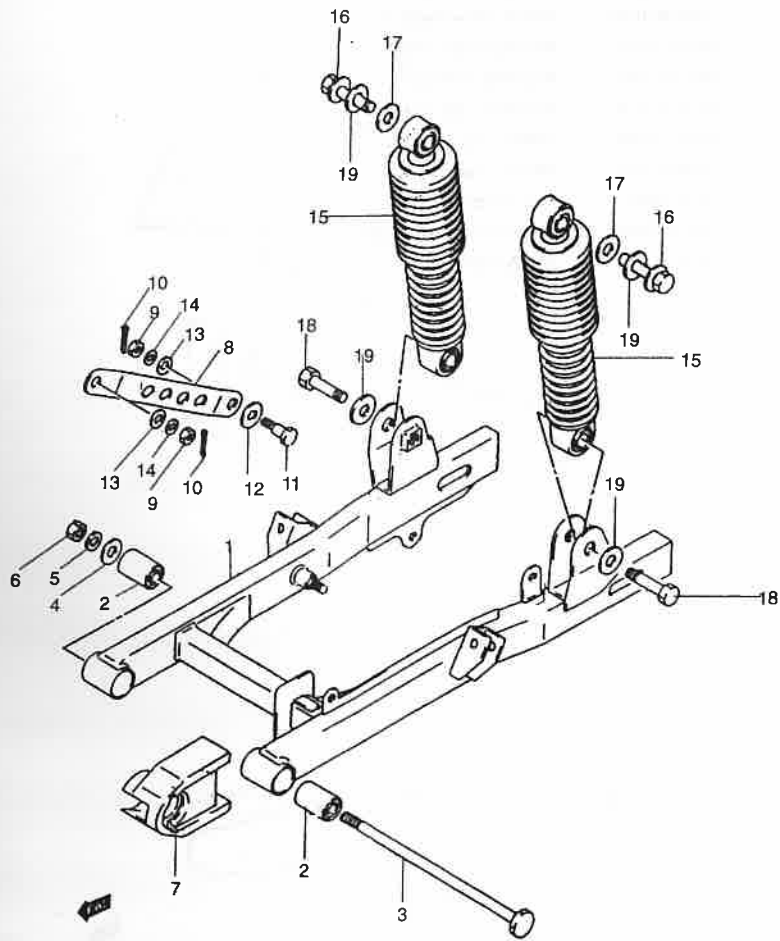


FIG. 40 (E-4) REAR SWINGING ARM

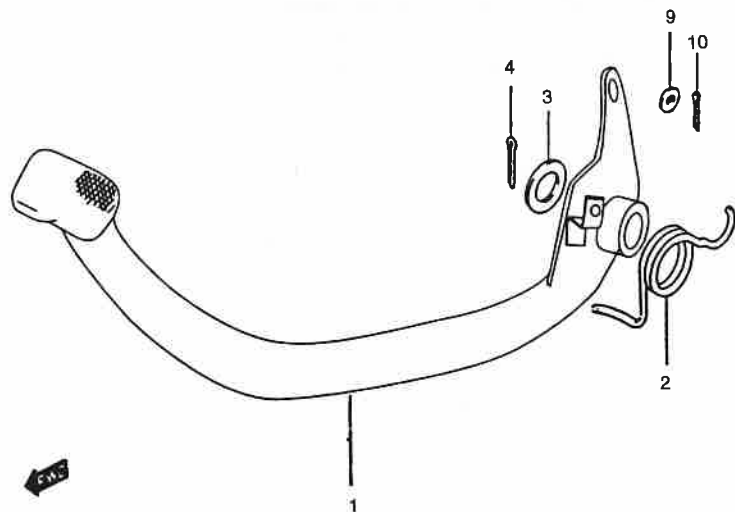
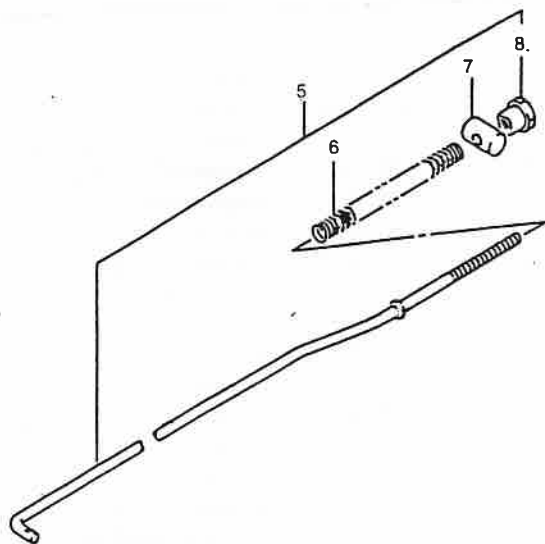
REF. NO.	PART NO.	DESCRIPTIONS	Q'TY	REMARKS
1	61100M10C50B	SWINGING ARM ASSY RR	1	
2	09319-10009	BUSHING	2	
3	61211-31C00	SHAFT, REAR SWINGING ARM	1	
4	08322-01107	WASHER, RH	2	
5	09162-10009	LOCK WASHER	1	
6	08310-00107	NUT	1	
7	61273M31C10	BUFFER, chain touch defence	1	
8	64311M31C10	TORQUE LINK REAR	1	
9	09140-08008	NUT	2	
10	04111-20208	Cotter PIN	2	
11	09111-08016	BOLT, RR brake anchor panel	1	
12	64322M09401	CUSHION	1	
13	08322-01083	WASHER	2	
14	09162-08008	LOCK WASHER	2	
15	62100M35480	ABSORBER ASSY RR SHOCK	2	
16	01500M10458	BOLT, RR shock ABS upper	2	
17	09160-10127	WASHER, RR shock ABS upper	2	
18	01557M10368	BOLT, RR shock ABS lower	2	
19	09160M10126	WASHER, RR shock ABS upper outer	2	

4

FIG. 41

FIG. 41 (E-11) REAR BRAKE

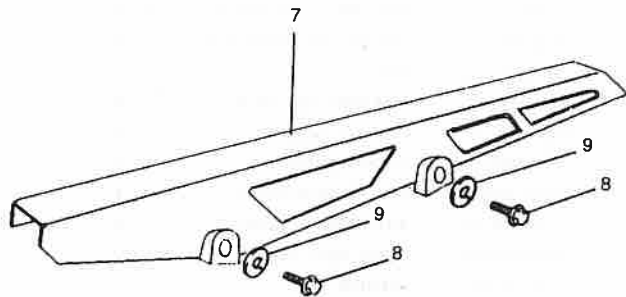
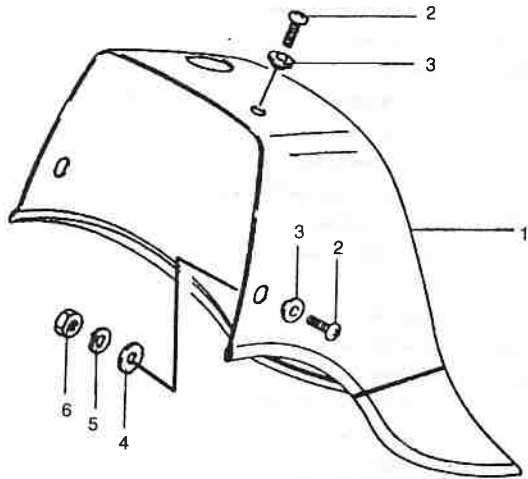
REF. NO.	PART NO.	DESCRIPTIONS	QTY	REMARKS
1	43110M30D00C	PEDAL, comp brake	1	
2	09448M31016	SPRING, brake pedal return	1	
3	09160-15002	WASHER, brake pedal	1	
4	04111-30258	PIN, brake pedal cott	1	
5	43300-31C10	ROD ASSY, rear brake	1	
6	09440-09004	SPRING, rear brake rod	1	
7	09209-11002	PIN, rear brake rod	1	
8	09105-06001	NUT, rear brake rod	1	
9	08322-01053	WASHER, RR brake rod FR	1	
10	04111-20208	PIN, RR brake rod	1	



4



FIG. 42



FWD

FIG. 42 (F-4) REAR FENDER

REF. NO.	PART NO.	DESCRIPTIONS	Q'TY	REMARKS
1	63111M35430	FENDER RR	1	
2	02142-06167	SCREW	3	
3	09169-06052	WASHER	3	
4	08322-01063	WASHER	2	
5	08321-01063	LOCK WASHER, RR fender side	2	
6	08310-00063	NUT, RR fender side	2	
7	61311M35512B	CASE, chain	1	
8	01517M06105	BOLT, chain case	2	
9	09169M06071A	WASHER, chain case	2	

4

FIG. 43

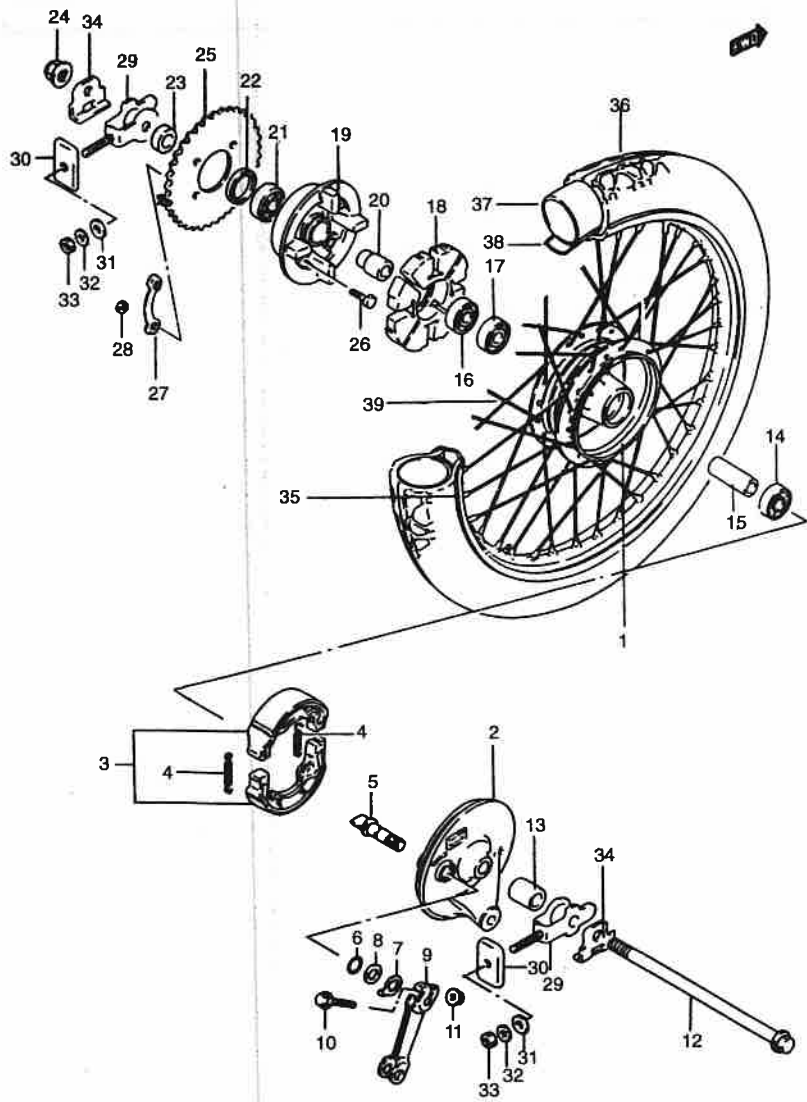


FIG. 43 (F-7) REAR WHEEL

REF. NO.	PART NO.	DESCRIPTIONS	QTY	REMARKS
1	64110M35301	HUB COMP, rear wheel	1	
2	64210M21D00A	PANEL, comp RR brake anchor	1	
3	54410M35060	SHOE, comp RR brake	2	
4	09443M07025	SPRING	2	
5	54441-29305	CAM RR BRAKE	1	
6	09280-14003	O RING, rear brake cam	1	
7	54492-35400	PLATE, brake lining	1	
8	09160-14054	WASHER, brake cam dust seal	1	
9	64451-43020	LEVEL, RR brake	1	
10	09103-06045	BOLT, RR cam lever	1	
11	08316-10063	NUT	1	
12	64711-31C20	AXLE, rear	1	
13	67431M31C20	SPACER, rear, exle, RH	1	
14	08143M63017	BEARING, rear hub R	1	
15	09180M12084	SPACER, rear, hub bearing	1	
16	08143M62017	BEARING, rear hub L	1	
17	08113M62017	BEARING, rear hub Linner	1	
18	64651M30D00A	SHOCK ABSORBER, rear hub shock	1	
19	64611M01001	DRUM, sprocket mounting	1	
20	64733-43000	RETAINER, sprocket mounting	1	
21	08113M62037	BEARING, RR sprocket drum	1	
22	09285-25003	SEAL, RR sprocket drum oil	1	
23	64721M35500	SPACER, rear sprocket drum	1	
24	08319-31128	NUT	1	
25	64511M31CC0	SPROCKET, rear (NT:38)	1	
26	64541-30D00	BOLT, rear sprocket	4	
27	09169M08011	LOCK WASHER	2	
28	08310-00083	NUT, RR sprocket comp	4	
29	61410M35500	ADJUSTER, comp chain	2	
30	61420M31C20	GUIDE, comp chain adjuster	2	
31	08322-01083	WASHER	2	
32	09162-08008	WASHER, lock	2	
33	08310-00083	NUT	2	

4



FIG. 43

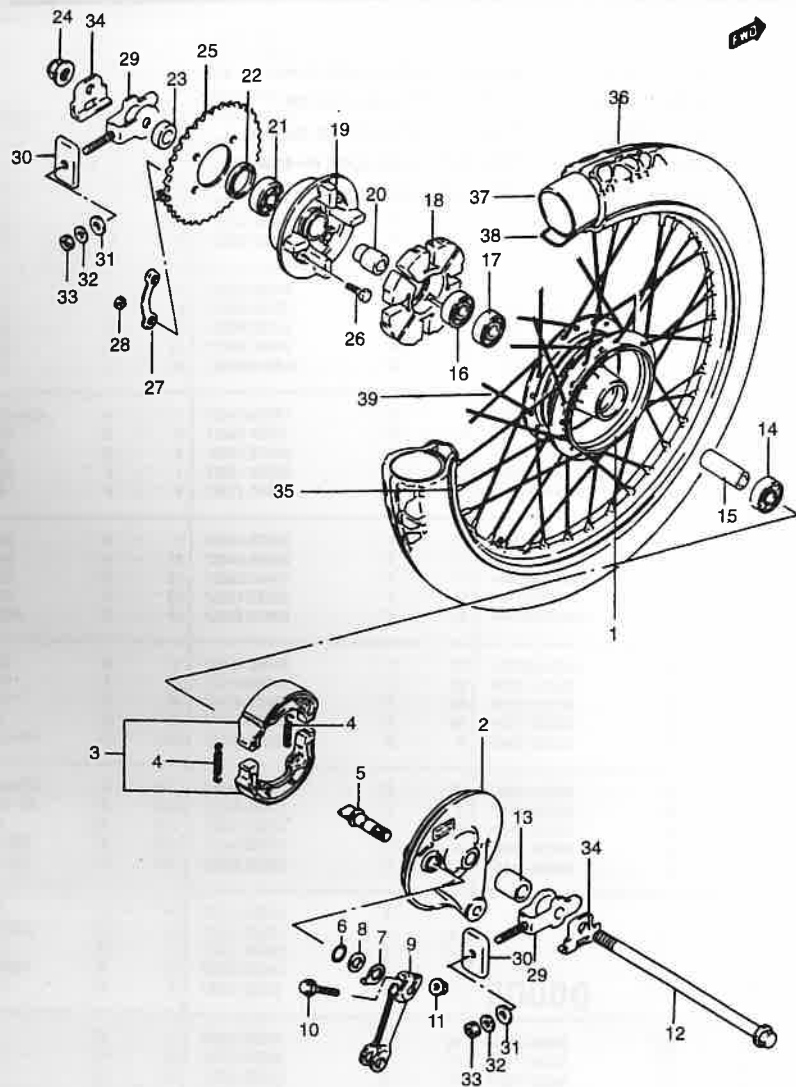


FIG. 43 (F-7) REAR WHEEL

REF. NO.	PART NO.	DESCRIPTIONS	Q'TY	REMARKS
34	64712M20900	WASHER, adjust guide	2	38-6
35	55311M46100A	RIM, wheel (1.40x17)	1	41-1
36	55110M38D00	TIRE (70/90-17)	1	46-10-1
37	55200M01011	TUBE ASSY, inner	1	46-10-2
38	55261M01010	PROTECTOR, inner tube	1	46-10-5
39	65320M03021	SPOKE SET, rear wheel	1	41-5

4

FIG. 44

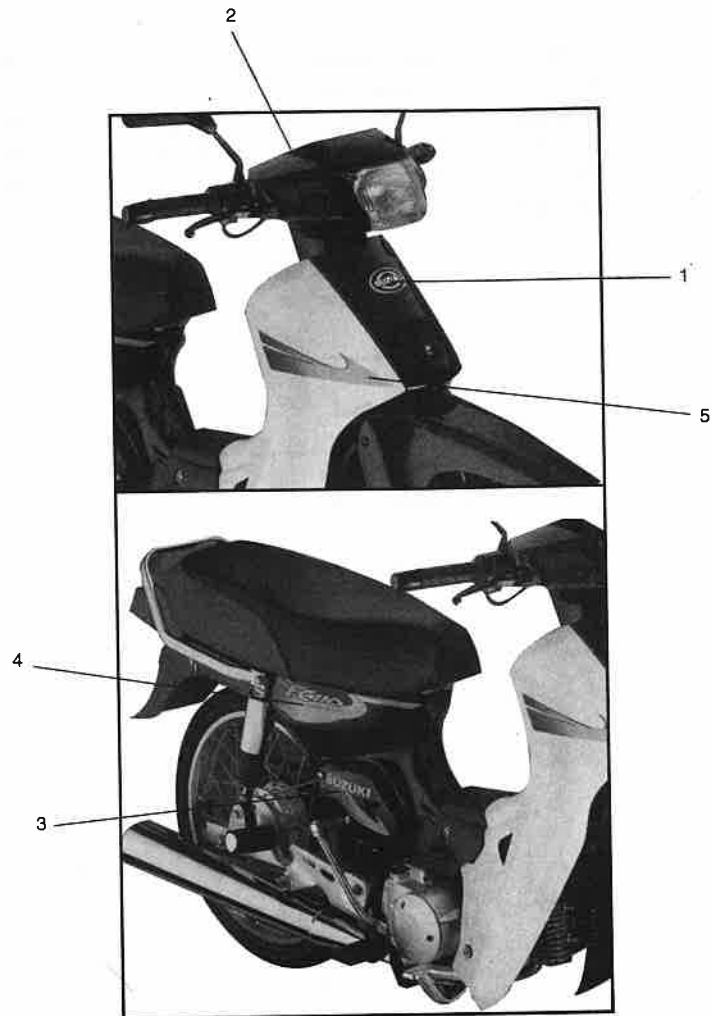


FIG. 44 (F-7) GRAPHIC DESIGN

REF. NO.	PART NO.	DESCRIPTIONS	Q'TY	REMARKS
1	68190MATE99A	EMBLEM, COVER FRAME HEAD	1	
2	68280M10C99A	TAPE, "FC110" SPEEDOMETER	1	
3	68131M10C99A	TAPE SET, FRAME COVER, RH & LH	1	
4	68391M10C99A	TAPE SET, FRAME BODY, RH & LH	1	
5	68151M10C99A	TAPE SET, LEG SHIELD, RH & LH	1	

PART NO.	FIG. NO.	REF. NO.	PART NO.	FIG. NO.	REF. NO.	PART NO.	FIG. NO.	REF. NO.
<b>10000</b>			12649-30D00	6	- 13	13417-01010	9	- 23
			12711-30D00	7	- 21	13418-43410	9	- 22
			12713-09401	7	- 19	13447-30A00	9	- 6
			12741-30A10	7	- 2	13494-09410	9	- 26
			12747-30D00	7	- 3	13551-30D00	9	- 10
11110-30D01	1	- 1	12755-30A00	7	- 5	13573-30D00	9	- 5
11115-30D70	1	- 1	12771-30A04	8	- 2	13601-04148	9	- 18
11121M30A01	1	- 15	12811-30A02	8	- 3	13615-09400	9	- 8
11134M09D01	1	- 13	12812-30A00	8	- 4	13661-02B00	9	- 3
11135M09D00	1	- 14	12830-30A01	8	- 6	13681-04010	9	- 21
11141-30D00	1	- 4	12832-02A00	8	- 9	13700M30D20	10	- 1
11144-09D00	1	- 19	12833-05300	6	- 10	13741M30D20	10	- 2
11149M09D01	1	- 18	12833-30A01	8	- 7	13781M30D20	10	- 3
11175M09A00	1	- 10	12834-02A00	8	- 8	13824-00A00	10	- 10
11186-30D00	3	- 16	12873M19B10	8	- 10	13824-18910	10	- 8
11211M30D00-0F0	2	- 1	12840-09D01	7	- 7	13870-11078	10	- 7
11241M30D00	2	- 6	12842-49201	7	- 8	13877-38A00	10	- 9
11280-30D00	2	- 9	12843-27A00	7	- 9	13881-30D20	10	- 5
11300M30D00	3	- 1	12861-09D00	7	- 10	13892M30D20	10	- 13
11329-30D00	3	- 6	12871-30A00	7	- 11	14180M30D10	11	- 10
11340M30D10	4	- 1	12911-30D00	7	- 12	14181M30A10	11	- 2
11351M30D10	4	- 15	12912-30D00	7	- 13	14310M31D10A	11	- 1
11362M30D00	4	- 28	12920-30A01	7	- 14	14410M30D98A	11	- 5
11381M30D10	4	- 26	12931-09400	7	- 15	14411M30D00	11	- 4
11383M30D10A	4	- 12	12932-27A00	7	- 16	14415M30D99A	11	- 7
11389M09D00	4	- 13	12933-39E00	7	- 17	14773M41D00	11	- 18
11482M30A10	4	- 2	13110-30D00	1	- 25	16321-30A02	5	- 12
11483M30A10	4	- 16	13129-30A00	1	- 26	16325-30D00	13	- 1
11971-09402	4	- 8	13131-30D00	1	- 30	16331-09420	12	- 3
12111M30D03-050	5	- 14.2	13200-30D20	9	- 0	16400-09410	12	- 1
12111M30D03-0F0	5	- 14.1	13247-13A00	9	- 20	16520-30A00	12	- 9
12111M30D03-100	5	- 14.3	13249-30A10	9	- 2	16540-30D00	12	- 11
12140-30D10	5	- 15.1	13250-16A00	9	- 13	16543-30D00	12	- 10
12140-30D10-050	5	- 15.2	13254-20010	9	- 15	16544-30D00	12	- 13
12140-30D10-100	5	- 15.3	13258-30A00	9	- 17	16910-30D00	3	- 9
12151-30D01	5	- 16	13261-30D00	9	- 1			
12161-30D01-0C0	5	- 2	13267-09400	9	- 25			
12200-30D03	5	- 1	13267-47A00	9	- 29			
12211-09D11-0A0	5	- 3	13268-35010	9	- 30			
12220-30D02	5	- 5	13291-29900	9	- 27			
12260-30D03	5	- 6	13295-29900	9	- 28	21102-30A10	13	- 2
12548-09D00	5	- 19	13370-09D00	9	- 14	21111-09D00	13	- 3
12600-30B51	6	- 6	13383-30D00	9	- 9	21200-30D01	13	- 10
12611-30A00	6	- 1	13394-40D00	9	- 7	21412-30D00	13	- 11
12612-09410	6	- 2	13411-01010	9	- 24	21441-21D20	13	- 12

**20000**

PART NO.	FIG. NO.	REF. NO.	PART NO.	FIG. NO.	REF. NO.	PART NO.	FIG. NO.	REF. NO.
21442-21D20	13	- 13	26300M30A21	16	- 13	34825-02100	27	- 6
21451-30D00	13	- 13	26352M01000	16	- 14	34910M31C00A	20	- 13
21461-30D00	13	- 15	27511-26400	14	- 20	35210M31C00	21	- 1
21481-21D20	13	- 16	27600M20910	8	- 1	35124-31C00	21	- 4
21499-30D00	13	- 18	27600M20910-098L	14	- 21	35125M30D00	21	- 11
21501-30D00	13	- 23	27620-20910	14	- 22	35128M37B00	21	- 6
21541-30D00	13	- 24				35151M31C00	21	- 5
21631-02A03	13	- 4				35152M45600	21	- 8
21651-30D01	13	- 5				35154M31C00	21	- 7
23121-21D10	13	- 27				35171-37B00	21	- 2
23221-09D01	13	- 28				35612M31C10	22	- 1
23222-09D01	13	- 29				35618M37B00	22	- 5
23223-09D00	13	- 30				35632M31C10	22	- 2
23230-30D01	13	- 35				35652M10C50	23	- 3
23250-35401	13	- 36				35672M10C50	23	- 4
24121-35511	14	- 1	31100-30D00	17	- 1	35710M10C50	23	- 1
24130-30A20	14	- 9	31130-35400	17	- 2	35713M35401	23	- 5
24221-35422	14	- 2	31131-35400	17	- 3	35712M10C50	23	- 2
24231-30A10	14	- 3	31151-30D00	17	- 4	35927M36510	23	- 18
24241-30A10	14	- 4	31158-35400	17	- 6	36300M31831	20	- 3
24310-30A10	14	- 10	31170-43400	17	- 8	36610M10C50	24	- 1
24331-30A10	14	- 11	31280-31C00	17	- 7	137100-30D20	24	- 4
24341-35420	14	- 12	31482-47000	15	- 30	37146-03A00	24	- 12
24741-09401	14	- 18	31800-19D01	19	- 10	37155M31C00	24	- 6
25210-30A10	15	- 1	32101-30D00	18	- 1	37159M31C00	24	- 13
25220-30A10	15	- 2	32102-30D00	18	- 2	37400M35401	39	- 9
25310-30A40	15	- 5	32371-30D00	18	- 3	37574-49440	39	- 13
25341-09400	15	- 6	32800-43E00	19	- 1	37720-30D00	15	- 34
25350-09D00	15	- 16	32900M30D80	19	- 3	37740-04502	24	- 7
25355-09400	15	- 17	33410-30D00	19	- 4	38500-31C01	24	- 9
25381-30A20	15	- 7	33510-22010	19	- 7	38610-09410	22	- 6
25382-30A30	15	- 8	33541-38210	19	- 8	32980M30D20	19	- 17
25382M35411	15	- 9	33542-38B00	19	- 9			
25421-35403	15	- 3	33610M35400	19	- 11			
25510-30D00	15	- 23	33651M35400	19	- 12			
25520-09D03	15	- 20	33652M42D00	19	- 13			
25600M30D00C	15	- 30	33681-21D00	19	- 14			
25652M16500	15	- 31	34100M31C50	20	- 1			
25671-31C00	15	- 24	34111M31C00	20	- 7			
26211-09140	16	- 1	34112M30D20A	20	- 2			
26221M30A00	16	- 2	34120M30D20A	20	- 4	41100M10C50	25	- 1
26231-09401	16	- 3	34148M31C00	20	- 11	41540M35420A	19	- 15
26232-09411	16	- 4	34170M31C00	20	- 8	42100M30D99B	26	- 1
26233-09400	16	- 5	34182M12B00	20	- 6	42211M03001	26	- 2
26241-09410	16	- 6	34810M35400	27	- 5	42221M03001	26	- 3

**30000**

**40000**



PART NO.	FIG. NO.	REF. NO.	PART NO.	FIG. NO.	REF. NO.	PART NO.	FIG. NO.	REF. NO.
42231-31C00	26	-	4	54621-39202	36	-	20	<b>50000</b>
42251M03004	26	-	5	54632-02201	36	-	21	
42310M30D00B	26	-	11	54661-03000	36	-	16	
43110M30D00C	41	-	1	54711-35411	36	-	14	
43300-31C10	41	-	5	54740-26101	36	-	27	
43510M30D00C	26	-	8	51103M35400	33	-	1	<b>50000</b>
43551M39110	26	-	9	51104M35400	33	-	2	
43610M31C99B	26	-	7.1	51111M35400	33	-	8	
43610M39310	26	-	16.1	51130M35400	33	-	3	
43612M30D00B	26	-	17	51140M35400	33	-	4	
43620M31C99A	26	-	7.2	51146-35420	33	-	10	<b>50000</b>
43620M39310	26	-	16.2	51147-16510	33	-	15	
43631M39310	26	-	18	51148-41310	33	-	16	
43660M10C50	11	-	13	51153-02501	33	-	5	
44110-35400	27	-	1	51156-43010	33	-	6	
44210-35014	27	-	2	51171-35400	33	-	12	<b>50000</b>
44300-21D00	28	-	1	51173-43210	33	-	7	
44501M10C50	27	-	10	51177-35400	33	-	11	
45100M35500	29	-	1	51196-39140	33	-	9	
45149M35400	29	-	2	51351-03A00	33	-	14	
45210-35400	29	-	5	51359-35410	38	-	6	<b>50000</b>
45210M21D10	29	-	9	51410-31C01	33	-	17	
45213-31600	29	-	7	51538-35420	38	-	5	
45220-35400	29	-	14	51611-20002	33	-	20	
45280M35400	29	-	15	51612-35400	33	-	21	
45285M35401A	29	-	11	51621-25000	33	-	22	<b>50000</b>
45511M35430	30	-	1	51622M35400	33	-	18	
45524M35410	30	-	3	51631-05000	33	-	24	
45528M35410	30	-	4	51643M06001	33	-	25	
45530M35430	30	-	2	51860M10C50	34	-	2	
46210M35470B	29	-	19	51871M10C50B	34	-	1	<b>50000</b>
47111M35430B	31	-	1	51881M30D10	34	-	5	
47211M35430	31	-	2	51882M30D10	34	-	6	
47232-35401	31	-	3	53111M30D10	35	-	1	
47431M35400	25	-	2	53124M35400	35	-	2	
48111M10C50A	32	-	1	54110M35401	36	-	1	<b>60000</b>
48140M30D99B	32	-	7	54210M35402	36	-	2	
48150M30D00B	32	-	8	54410M35060	36	-	3	
48241M10C50	32	-	5	54410M35060	43	-	3	
48248M10C50A	32	-	6	54441-16D00	36	-	5	
48272M10C50	32	-	3	54441-29305	43	-	5	<b>60000</b>
48277M10C50	32	-	2	54451-35400	36	-	10	
				54492-35400	36	-	7	
				54492-35600	43	-	7	
				54611-03601	36	-	15	
				61100M10C50B	40	-	1	<b>60000</b>
				61211-31C00	40	-	3	
				61273M31C10	40	-	7	
				61311M35512B	42	-	7	
				61410M35500	43	-	29	

PART NO.	FIG. NO.	REF. NO.	PART NO.	FIG. NO.	REF. NO.	PART NO.	FIG. NO.	REF. NO.	PART NO.	FIG. NO.	REF. NO.	
61420M31C20	43	-	30	01500-06303	15	-	14	02112-36123	19	-	16	<b>90000</b>
62100M35480	40	-	15	01500-08127	4	-	10	02112-36163	32	-	9	
63111M35430	42	-	1	01500-10163	3	-	12	02112-73103	20	-	5	
64110M35301	43	-	1	01500M06203	15	-	32	02112-75103	29	-	18	
64210M21D00A	43	-	2	01500M06203	16	-	15	02112M014106	23	-	7	
64311M31C10	40	-	8	01500M10458	40	-	16	02112M05057	11	-	11	<b>90000</b>
64322M09401	40	-	12	01517M06105	42	-	8	02112M05123	21	-	9	
64451-43020	43	-	9	01547-06253	1	-	28	02122-05123	5	-	20	
64511M31CC0	43	-	25	01550-06163	24	-	5	02122-06163	6	-	3	
64541-30D00	43	-	26	01550-06203	1	-	17	02122-06163	15	-	13	
64611M10101	43	-	19	01550-06253	1	-	12	02122-06303	29	-	16	<b>90000</b>
64651M30D00A	43	-	18	01550-08123	11	-	6	02122-06803	38	-	7	
64711-31C20	43	-	12	01550-08123	24	-	10	02142-05123	10	-	4	
64712M20900	43	-	34	01550-08163	26	-	10	02142-05163	10	-	12	
64721M35500	43	-	23	01550-08303	11	-	15	02142-06103	18	-	6	
64733-43000	43	-	20	01557M10368	40	-	18	02142-06123	23	-	19	<b>90000</b>
65320M03021	43	-	39	01570-06203	11	-	3	02142-06167	42	-	2	
67431M31C20	43	-	13	01580M06253	27	-	3	02142M05123	37	-	3	
68131M10C99A	44	-	3	01580M08203	27	-	4	02142M06017	34	-	3	
68151M10C99A	44	-	5	02112-05103	18	-	4	02142M06167	34	-	8	
68910M47E99A	44	-	1	02112-05163	15	-	38	02142M06203	25	-	3	<b>90000</b>
68280M10C99A	44	-	2	02112-05183	4	-	14	03211M04256	23	-	6	
68391M10C99A	44	-	4	02112-06103	14	-	19	03451-05403	37	-	5	
68622-35400	28	-	6	02112-06123	19	-	2	03511-04163	22	-	3	
				02112-06163	13	-	21	03511-14123	30	-	7	
				02112-06163	19	-	6	03541-04163	20	-	12	<b>90000</b>
				02112-06203	18	-	5	03541-05203	37	-	4	
				02112-06253	4	-	4	03541M04128	32	-	4	
				02112-06303	3	-	3	04111-16208	13	-	34	
				02112-06303	4	-	19	04111-20158	26	-	20	
94982M29400	29	-	4	02112-06303	4	-	27	04111-20208	40	-	10	<b>90000</b>
95705-35410	29	-	17	02112-06353	3	-	4	04111-20208	41	-	10	
95721M31C00	30	-	8	02112-06353	4	-	5	04111-30258	41	-	4	
				02112-06353	12	-	7	04211-09109	15	-	14	
				02112-06403	3	-	5	04211-09129	4	-	17	
				02112-06403	4	-	20	04211-09129	12	-	8	<b>90000</b>
				02112-06503	3	-	6	04211-11129	1	-	5	
				02112-06503	4	-	6	04211-11129	2	-	7	
				02112-06503	4	-	21	04211-13189	3	-	2	
				02112-06553	4	-	7	04211-13189	4	-	3	
01104M06166	35	-	3	02112-06753	3	-	7	04221-03059	5	-	13	<b>90000</b>
01147M08308	33	-	19	02112-06853	4	-	18	06111-06004	33	-	23	
01184M08506	29	-	10	02112-34123	9	-	4	07120-06203	8	-	11	
01421-06208	2	-	4	02112-35123	27	-	7	07130-06123	6	-	12	
01500-06123	16	-	10	02112-36103	27	-	9	08110-62030	14	-	8	
												<b>90000</b>

PART NO.	FIG. NO.	REF. NO.
08110-62030		
08113M62017		
08113M62037		
08123M62007		
08123M63007		
08143M62017		
08143M63017		
08211-06121		
08211-06221		
08211-08141		
08211-12261		
08211-14221		
08211-14321		
08211-20264		
08310-00063		
08310-00063		
08310-00083		
08310-00083		
08310-00107		
08316-10063		
08316-10063		
08316-10123		
08316-20063		
08316-20063		
08316-35066		
08316M10063		
08319-21053		
08319-31083		
08319-31105		
08319-31108		
08319-31128		
08319M21083		
08321-01063		
08321-01123		
08321M21056		
08322-01053		
08322-01063		
08322-01083		
08322-01083		
08322-01107		
08322M01123		
08331-31136		
08331-31156		
08331-31166		

PART NO.	FIG. NO.	REF. NO.	PART NO.	FIG. NO.	REF. NO.	PART NO.	FIG. NO.	REF. NO.
08110-62030	14	- 17	08331-31216	13	- 17	09160-08092	13	- 38
08113M62017	43	- 17	08331-31346	13	- 9	09160-10127	40	- 17
08113M62037	43	- 21	08331-41286	5	- 11	09160-13006	14	- 5
08123M62007	36	- 25	08332-11056	31	- 4	09160-13006	14	- 13
08123M63007	36	- 23	08332-11063	12	- 6	09160-13010	6	- 4
08143M62017	43	- 16	08341-31039	18	- 8	09160-14054	36	- 8
08143M63017	43	- 14	08361-35066	29	- 10	09160-14054	43	- 8
08211-06121	15	- 19	09100-05019	12	- 12	09160-15002	41	- 3
08211-06221	15	- 15	09100M10007	26	- 13	09160-16005	36	- 17
08211-08141	12	- 5	09100M12061	38	- 2	09160M10126	40	- 19
08211-12261	15	- 28	09103-06045	36	- 11	09162-08008	40	- 14
08211-14221	16	- 11	09103-06045	43	- 10	09162-08008	43	- 32
08211-14321	16	- 12	09103-06143	1	- 20	09162-10009	40	- 5
08211-20264	15	- 29	09103-06144	1	- 21	09146-16004	13	- 26
08310-00063	23	- 11	09103-10087	3	- 14	09166-24001	33	- 26
08310-00063	42	- 6	09105-06001	41	- 8	09168-06004	1	- 22
08310-00083	43	- 28	09108-08171	2	- 2	09168-06004	8	- 5
08310-00083	43	- 33	09108-08172	2	- 3	09168-06026	28	- 3
08310-00107	40	- 6	09111-06041	15	- 18	09168-08015	4	- 11
08316-10063	2	- 5	09111-06053	7	- 4	09168-08016	2	- 11
08316-10063	36	- 12	09111-08016	40	- 11	09168-08021	1	- 7
08316-10063	43	- 11	09116-06001	29	- 12	09168-10002	3	- 13
08316-10123	18	- 7	09125-05065	39	- 6	09168-12002	4	- 23
08316-20063	23	- 17	09125-05065	39	- 14	09169-06010	34	- 4
08316-20063	29	- 8	09128-06049	1	- 24	09169-06052	42	- 3
08316-35066	29	- 13	09128M06006	28	- 2	09169-06059	25	- 4
08316M10063	38	- 11	09132M04026	21	- 10	09169-06060	35	- 4
08319-21053	39	- 5	09136-06009	32	- 11	09169-08036	30	- 6
08319-31083	11	- 8	09136-06017	10	- 11	09169-08048	13	- 31
08319-31105	3	- 15	09136-06103	32	- 10	09169M06071A	23	- 8
08319-31108	36	- 13	09136-06103	32	- 14	09169M06071A	42	- 9
08319-31128	43	- 24	09140-06023	1	- 29	09169M08011	43	- 27
08319M21083	11	- 14	09140-08008	40	- 9	09180-06086	15	- 4
08321-01063	42	- 5	09140-08019	13	- 37	09180-12036	15	- 25
08321-01123	38	- 3	09140-10043	26	- 12	09180-16045	13	- 6
08321M21056	11	- 12	09140-10043	26	- 14	09180M06084	23	- 14
08322-01053	41	- 9	09140-16025	13	- 25	09180M06069	38	- 10
08322-01063	42	- 3	09150-05101	38	- 18	09180M06089	34	- 7
08322-01083	40	- 13	09159-08049	1	- 6	09180M06263	32	- 12
08322-01083	43	- 31	09160-05001	36	- 19	09180M10091	36	- 24
08322-01107	40	- 4	09160-06066	32	- 15	09180M12084	43	- 15
08322M01123	38	- 4	09160-06077	23	- 13	09181-25051	5	- 18.1
08331-31136	6	- 5	09160-06109	23	- 12	09181-25052	5	- 18.2
08331-31156	36	- 18	09160-08032	11	- 16	09181-25053	5	- 18.3
08331-31166	14	- 23	09160-08039	1	- 8	09181-25054	5	- 18.4

PART NO.	FIG. NO.	REF. NO.	PART NO.	FIG. NO.	REF. NO.	PART NO.	FIG. NO.	REF. NO.
09181-25055	5	- 18.5	09280-50007	1	- 11	09440-03004	6	- 9
09181-25056	5	- 18.6	09280-84002	1	- 16	09440-04010	15	- 37
09181-25057	5	- 18.7	09282-20005	5	- 9	09440-09004	41	- 6
09181-25058	5	- 18.8	09283-17025	14	- 15	09440-30007	16	- 8
09181-25059	5	- 18.9	09284-15001	36	- 26	09440M06003	38	- 15
09181-25060	5	- 18.10	09285-12002	15	- 27	09443-05019	15	- 21
09181-25061	5	- 18.11	09285-14001	16	- 7	09443-06053	13	- 33
09181-25061	5	- 18.13	09285-25003	43	- 22	09443-06083	24	- 8
09181-25062	5	- 18.12	09285-43001	36	- 22	09443-16007	26	- 6
09200-07005	13	- 32	09287M07001	38	- 16	09443M07025	36	- 4
09200M06033	26	- 19	09287M07002	38	- 20	09443M07025	43	- 4
09209-05011	15	- 35	09289-05008	7	- 18	09443M14022	26	- 15
09209-10001	38	- 17	09308-10012	24	- 15	09444-25002	15	- 22
09209-11002	41	- 7	09308-10017	24	- 11	09448-30009	36	- 9
09247-12104	4	- 22	09319-10009	40	- 2	09448-38004	16	- 9
09259-26011	4	- 24	09320-09003	23	- 15	09448M31016	41	- 2
09261-02008	12	- 4	09320-09004	23	- 16	09471-12013	21	- 3
09261-04002	15	- 10	09320M09026	32	- 13	09471M12003	23	- 9
09261-04012	15	- 11	09320M12058	11	- 17	09471M12008	23	- 10
09261-05009	7	- 6	09321M10C99A	29	- 3	09471M12077	20	- 10
09261-07006	13	- 7	09321M10C99A	29	- 6	09471M12100	20	- 9
09261-10003	6	- 8	09321M10D01	11	- 9	09471M12114	22	- 4
09262-12001	5	- 10	09325-50823-580	28	- 7	09481M10D01	24	- 14
09262-15026	7	- 1	09329M10001	30	- 5	09482M00340	1	- 9
09262-17037	7	- 20	09352-40703-600	9	- 32	09491-85005	9	- 12
09262-25117	5	- 8	09354-25703-600	9	- 19	09492-17012	9	- 16
09262-35021-0A0	5	- 7	09355-50105-645	28	- 4	09493-26007	13	- 20
09263-12019	15	- 26	09359-50823-600	3	- 10	09494-00887	9	- 11
09263-13001	14	- 6	09360-08012	2	- 10	09800M21004A	25	- 5
09263-13001	14	- 14	09380-17007	14	- 7	09280-14003	43	- 6
09263-25040	6	- 7	09380-17007	14	- 16			
09263-28029-0B0	5	- 4	09380-17010	13	- 22			
09266-16002	13	- 39	09380-25010	6	- 11			
09280-08012	13	- 40	09381-10004	1	- 3			
09280-10015	12	- 2	09381-14001	5	- 17			
09280-14003	36	- 6	09401-09403	28	- 5			
09280-15007	33	- 13	09402-40208	10	- 6			
09280-15014	2	- 8	09404-06429	1	- 23			
09280-17003	4	- 9	09404-06429	19	- 5			
09280-21008	15	- 36	09404-06429	24	- 2			
09260-22008	4	- 25	09404-06429	27	- 8			
09280-24005	1	- 27	09407-08401	3	- 11			
09280-24006	9	- 31	09407-25401	24	- 3			
09280-25004	17	- 5	09408-00002	38	- 24			
09280-40004	13	- 19	09440-02003	13	- 8			

5

