

# SUZUKI

PARTS CATALOGUE

## DL800DERCM4

(EM12A)

E01



2023-7

1<sup>ST</sup> EDITION

## PREFACE

When it becomes necessary to replace parts on SUZUKI MOTORCYCLES, always use SUZUKI GENUINE PARTS which have passed a strict inspection which guarantees quality and performance.

This parts catalogue covers the list of all service parts for SUZUKI DL800DERCM4.

### INSTRUCTIONS FOR QUOTING THE CATALOGUE

#### 1. DIMENSIONS

Dimensions of the parts in this catalogue are indicated in unit millimeters.

#### 2. ABBREVIATIONS

Abbreviations used in this catalogue are as follows:

AR	: As required	NT	: Number of teeth
ASSY	: Assembly	OPT	: Optional
E. NO.	: Engine number	OS	: Over size
F. NO.	: Frame number	STD	: Standard
D	: Diameter of material	T	: Thickness
ID	: Inside diameter	US	: Under size
OD	: Outside diameter	W	: Width
L	: Length		
LH	: Left hand side		
RH	: Right hand side		
~100045	: Up to F. NO. A100-100045		
100046~	: From F. NO. A100-100046		
12 x 34 x 5.6.....	Figures in the description column		
	show the dimensions of parts.		
ID OD T(or W, L)			

→12345-56781 (Parts No.) : indicates that the parts number was changed to 12345-56781 and the new parts are interchangeable with the former ones but the former ones are not interchangeable with new ones.

←12345-56781 (Parts No.) : indicates that the former and new parts are interchangeable with each other and both are usable.

#### 3. INNER PARTS OF ASSEMBLY

Part name with a dot (.) in front as shown in the description column indicates the component of the assembly also available individually.

#### 4. MODIFICATION NOTICE

A parts bulletin will be sent to you on all occasions when changes in parts occur, including interchangeable modifications between new parts and old ones.

#### 5. NOTE

5-1. There are some different parts from those of production models among spare parts for the administrative reasons and common use of them with other models.

5-2. In respect of rubber hoses and vinyl tubes, please be sure to use them by cutting off according to the length mentioned on parts catalogue or what is actually required on the vehicle.

5-3. Note that the drawings on the illustration page are for ready reference of spare parts number, not to be used as an assembly manual.  
When assembling, use "SUZUKI SERVICE MANUAL".

#### 6. SPECIFICATION CODE

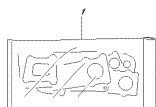
This catalogue contains the parts for the model designed for the following spec. ;  
spec. code : E01.

#### 7. SERIAL FRAME NUMBER

DL800DERCM4 : JS1EM12AZR7100004~

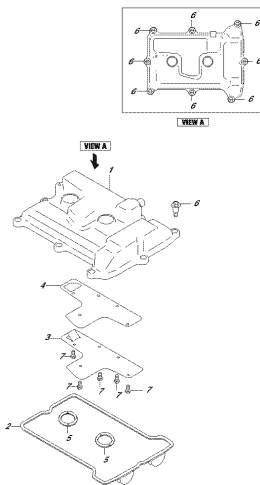


FIG.101A



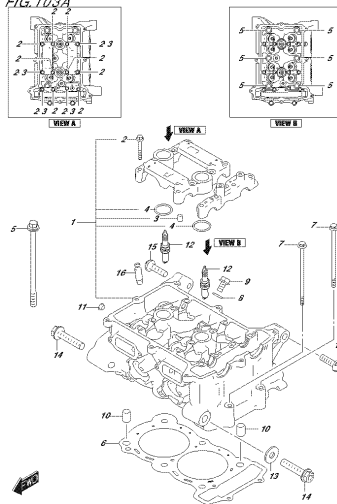
ЭЛСООДРОМ\_ЭДЛ\_101А  
ЭЛЭГЭЙНЭГЭЙ

FIG.102A



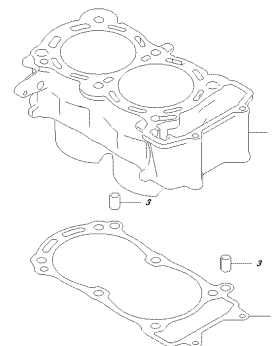
ЭЛСООДРОМ\_ЭДЛ\_102А  
ЭЛЭГЭЙНЭГЭЙ

FIG.103A



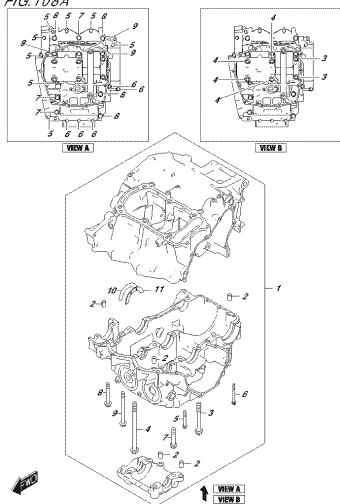
ЭЛСООДРОМ\_ЭДЛ\_103А  
ЭЛЭГЭЙНЭГЭЙ

FIG.107A



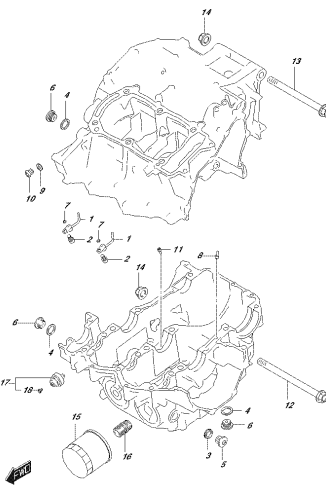
ЭЛСООДРОМ\_ЭДЛ\_107А  
ЭЛЭГЭЙ

FIG.108A



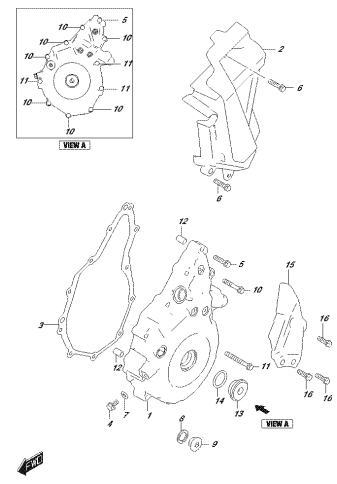
ЭЛСООДРОМ\_ЭДЛ\_108А  
ЭЛЭГЭЙНЭГЭЙ

FIG.109A



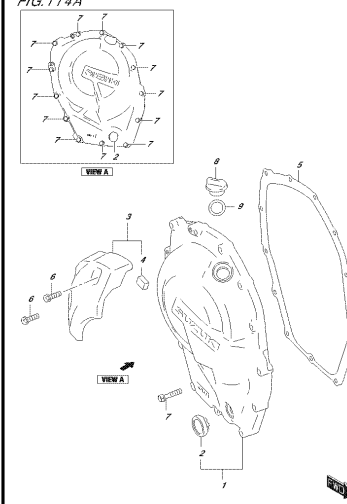
ЭЛСООДРОМ\_ЭДЛ\_109А  
ЭЛЭГЭЙНЭГЭЙ

FIG.113A



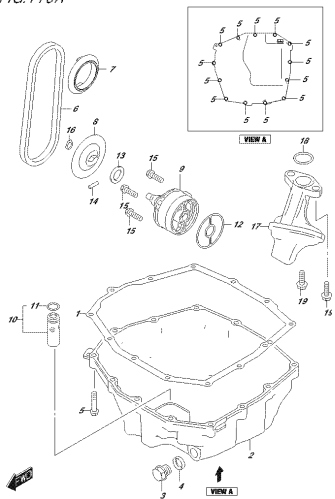
ЭЛСООДРОМ\_ЭДЛ\_113А  
ЭЛЭГЭЙНЭГЭЙ

FIG.114A



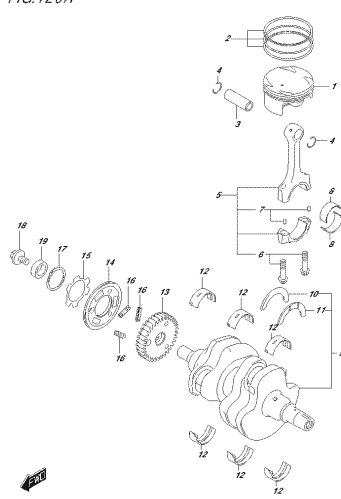
ЭЛСООДРОМ\_ЭДЛ\_114А  
ЭЛЭГЭЙНЭГЭЙ

FIG. 116A



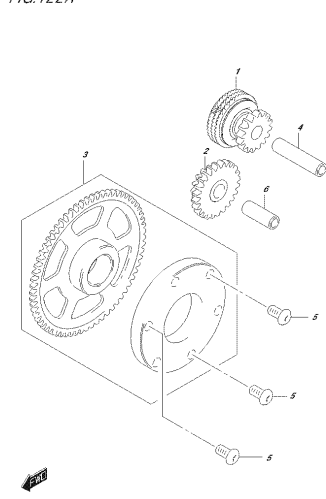
ELBOSPERM\_EB\_L\_116A  
 GE. INSIDE PUMP

FIG. 120A



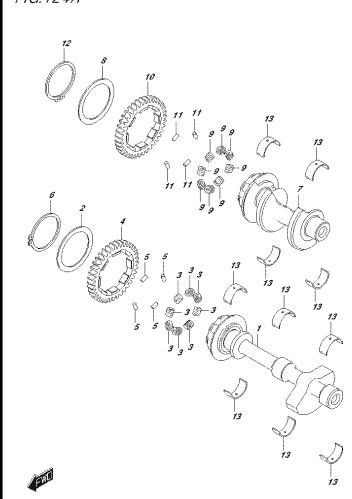
ELBOSPERM\_EB\_L\_120A  
 GE. MOTORHAUPT

FIG. 122A



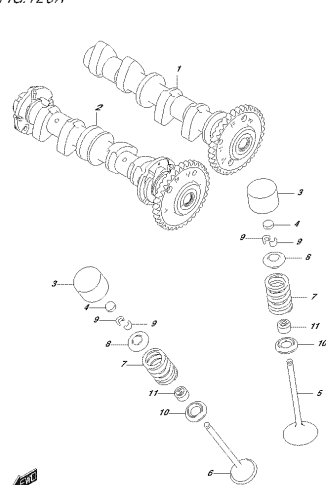
ELBOSPERM\_EB\_L\_122A  
 GE. MOTORHAUPT

FIG. 124A



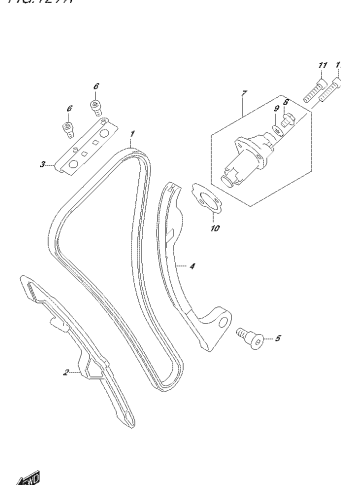
ELBOSPERM\_EB\_L\_124A  
 GE. MOTORHAUPT

FIG. 126A



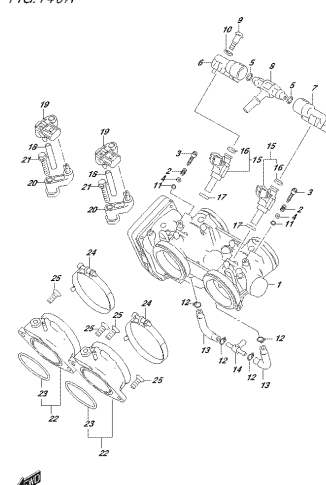
ELBOSPERM\_EB\_L\_126A  
 GE. MOTORHAUPT

FIG. 127A



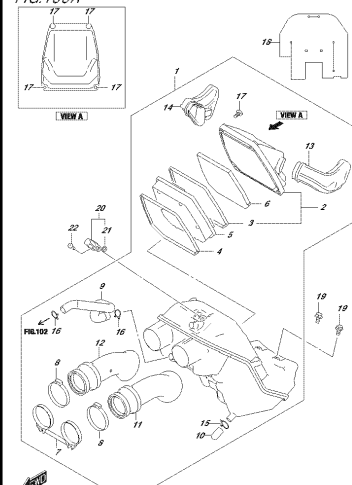
ELBOSPERM\_EB\_L\_127A  
 GE. MOTORHAUPT

FIG. 140A



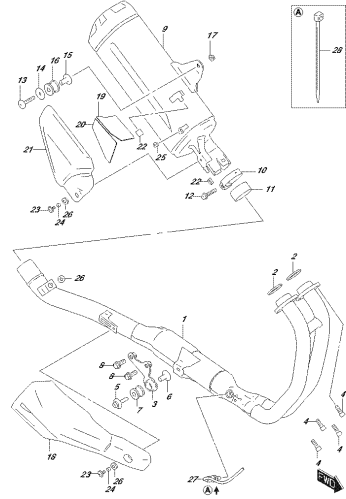
ELBOSPERM\_EB\_L\_140A  
 GE. MOTORHAUPT

FIG. 155A



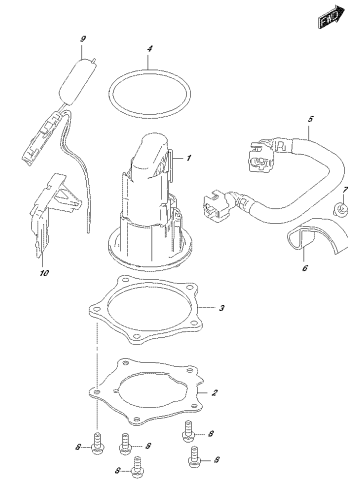
ELBOSPERM\_EB\_L\_155A  
 GE. MOTORHAUPT

FIG. 163A



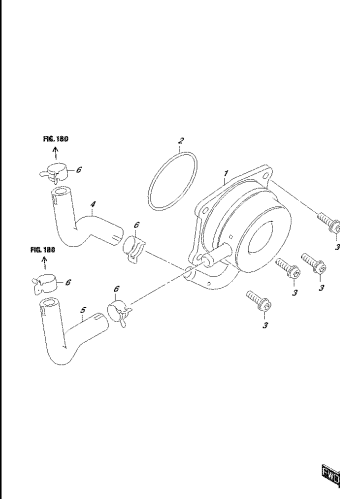
ELBOSOPREMA\_BD\_L\_163A  
FUELPUMP

FIG. 172A



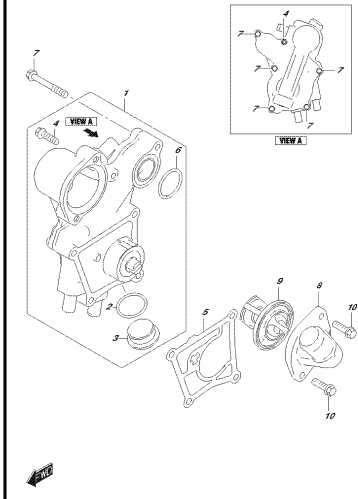
ELBOSOPREMA\_BD\_L\_172A  
FUELPUMP

FIG. 178A



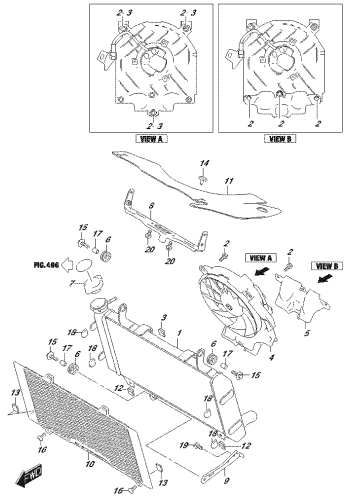
ELBOSOPREMA\_BD\_L\_178A  
OELCOCKST

FIG. 180A



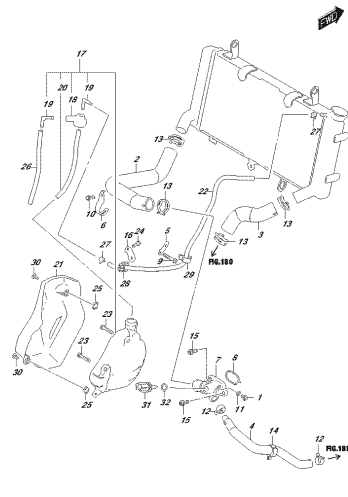
ELBOSOPREMA\_BD\_L\_180A  
HINTERFLAP

FIG. 185A



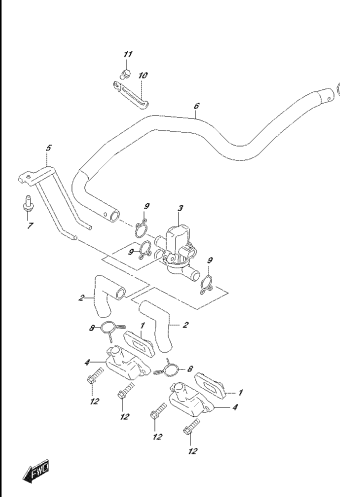
ELBOSOPREMA\_BD\_L\_185A  
PUMPER

FIG. 187A



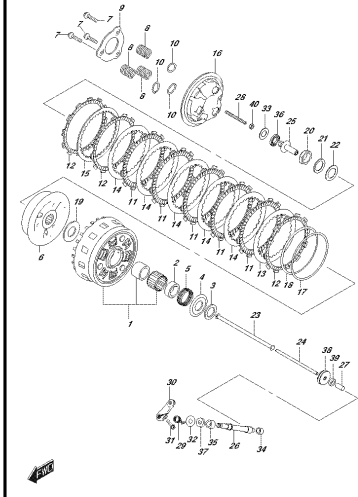
ELBOSOPREMA\_BD\_L\_187A  
PUMPERKORPER

FIG. 189A



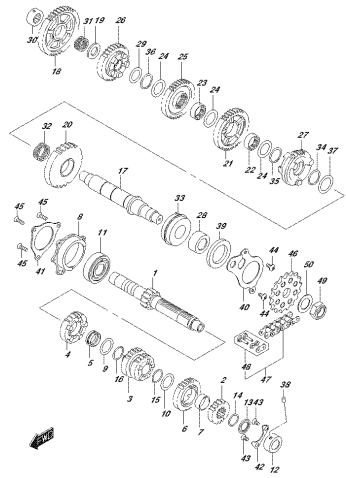
ELBOSOPREMA\_BD\_L\_189A  
DSD-ABF

FIG. 201A



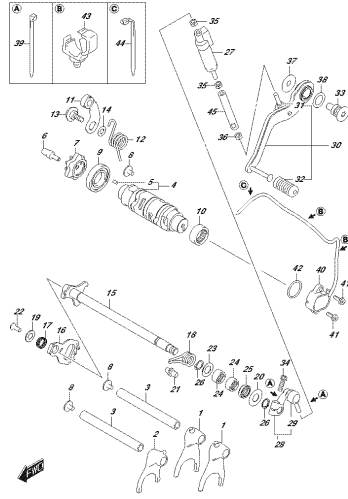
ELBOSOPREMA\_BD\_L\_201A  
GLITCH

FIG.206A



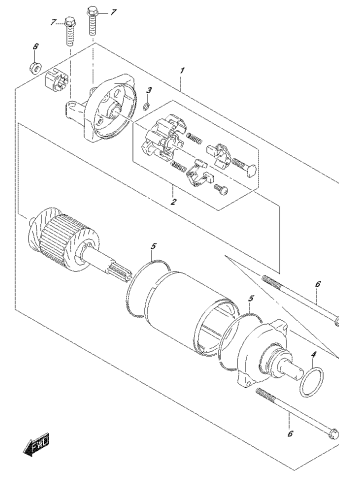
ELBROTEKRAM\_001\_0104  
17046500307

FIG.212A



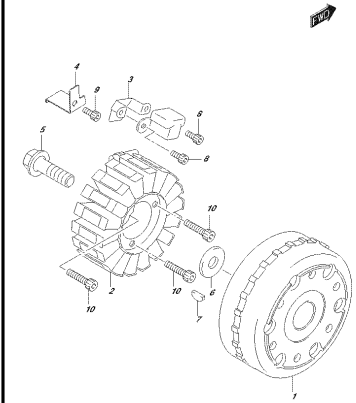
ELBROTEKRAM\_001\_0104  
020410107170

FIG.301A



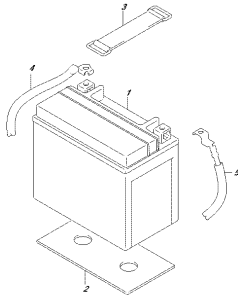
ELBROTEKRAM\_001\_0104  
02041010709

FIG.303A



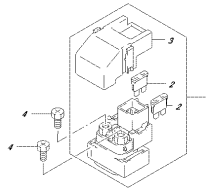
ELBROTEKRAM\_001\_0104  
040100107

FIG.310A



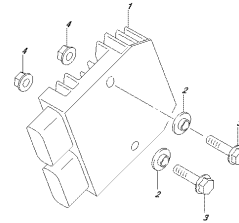
ELBROTEKRAM\_001\_0104  
040100107

FIG.311A



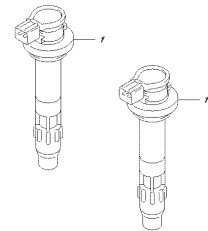
ELBROTEKRAM\_001\_0114  
02041010704

FIG.313A



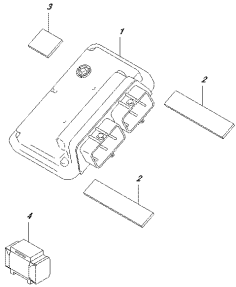
ELBROTEKRAM\_001\_0104  
020410107

FIG.316A



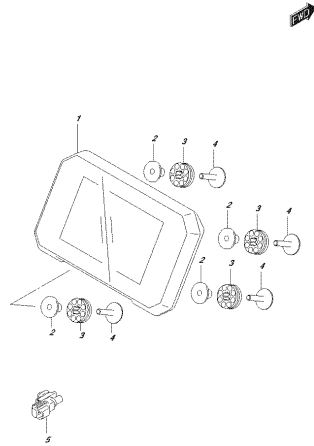
ELBROTEKRAM\_001\_0104  
040100107

FIG.322A



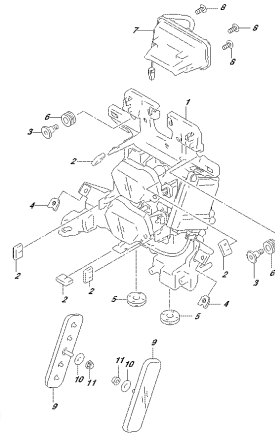
EL8000FRM1\_001\_0304  
ELECTRONIC MOTOR CONTROL UNIT

FIG.330A



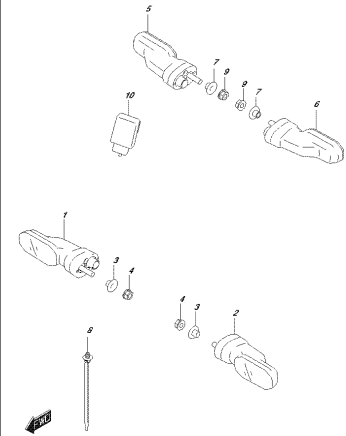
EL8000FRM1\_001\_0304  
SPEED SENSOR

FIG.333A



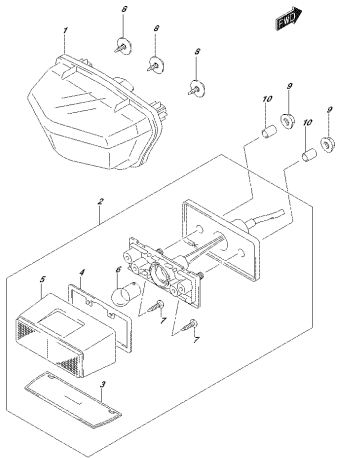
EL8000FRM1\_001\_0304  
VEHICLE LAMP

FIG.334A



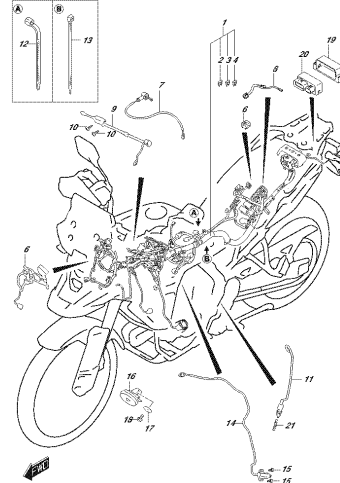
EL8000FRM1\_001\_0304  
TURN SIGNAL LAMP

FIG.339A



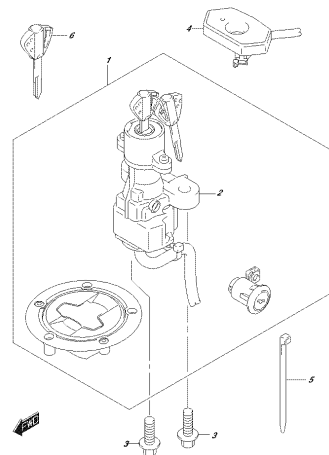
EL8000FRM1\_001\_0304  
REAR COMBINATION LAMP

FIG.350A



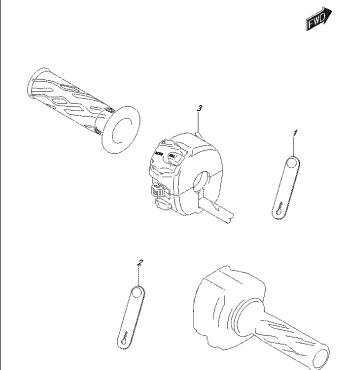
EL8000FRM1\_001\_0304  
MOTORLESS HYBRID

FIG.352A



EL8000FRM1\_001\_0304  
LOCK SET

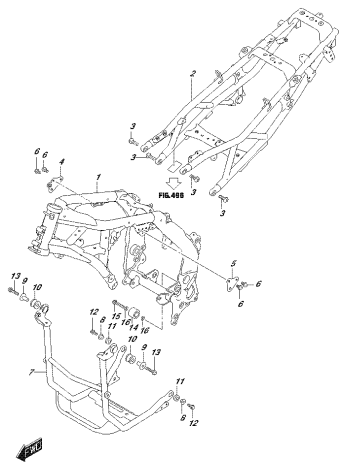
FIG.355A



EL8000FRM1\_001\_0304  
HANDLE SWITCH

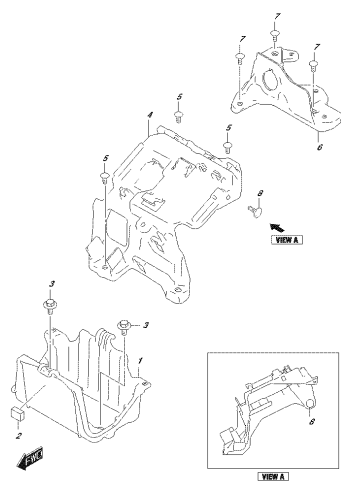


FIG.401A



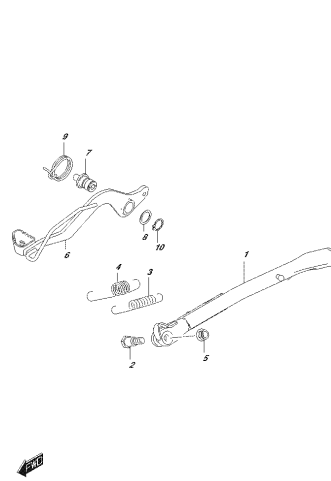
EL3000FRAM\_001\_401A  
STRAKE

FIG.406A



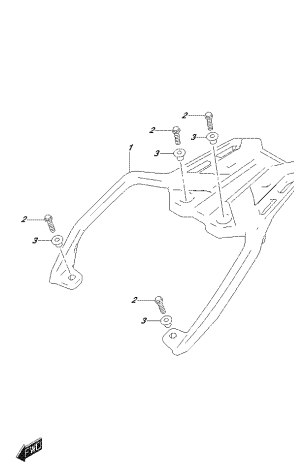
EL3000FRAM\_001\_406A  
HOLDERR

FIG.407A



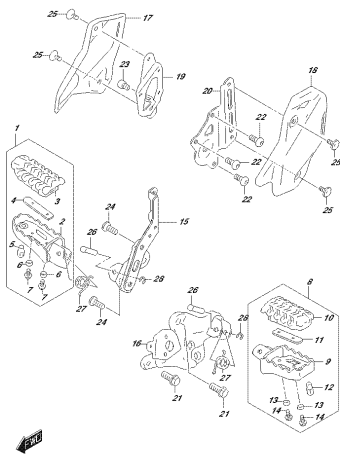
EL3000FRAM\_001\_407A  
STRALC

FIG.412A



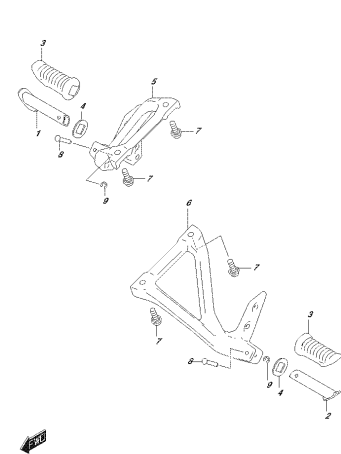
EL3000FRAM\_001\_412A  
CARPNER

FIG.415A



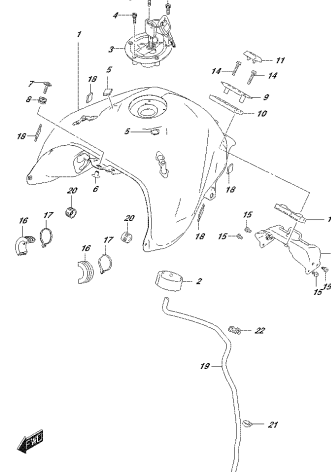
EL3000FRAM\_001\_415A  
FOOTREST

FIG.417A



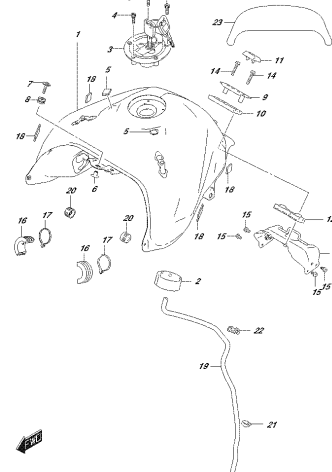
EL3000FRAM\_001\_417A  
PILKON FOOTREST

FIG.420A



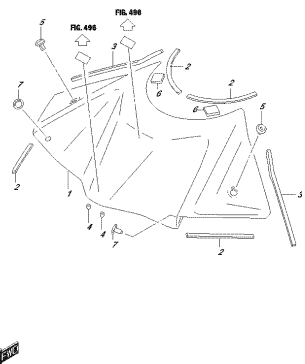
EL3000FRAM\_001\_420A  
FUELTANK

FIG.420B



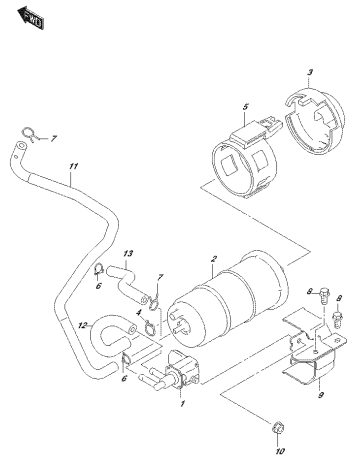
EL3000FRAM\_001\_420B  
FUELTANK

FIG.423A



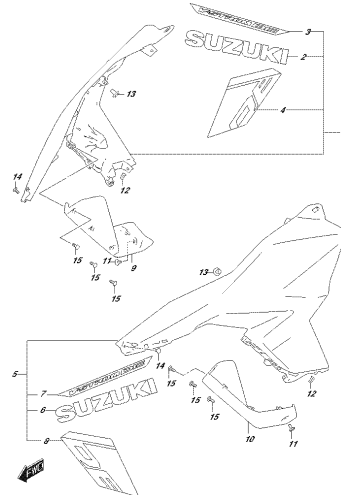
CLASSIFREEM, REF. 423A  
FRONTFAHRNER

FIG.427B



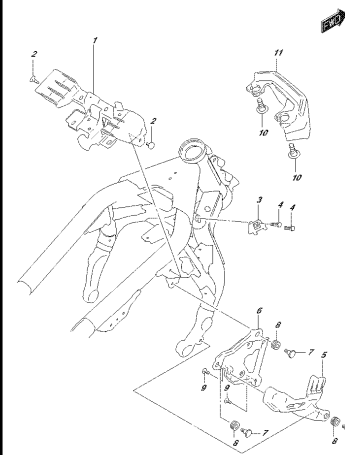
CLASSIFREEM, REF. 427B  
SMP/ST/ST/SM

FIG.433A



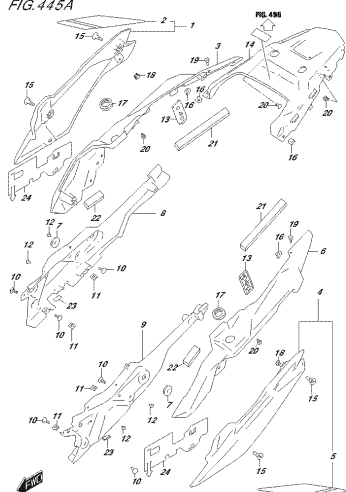
CLASSIFREEM, REF. 433A  
SZE/CS/ST

FIG.444A



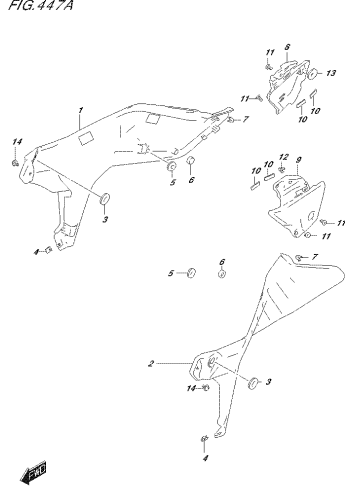
CLASSIFREEM, REF. 444A  
FRONTFAHRNER

FIG.445A



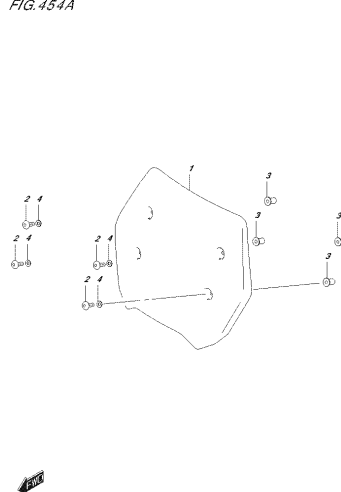
CLASSIFREEM, REF. 445A  
FRANZÖSISCHER

FIG.447A



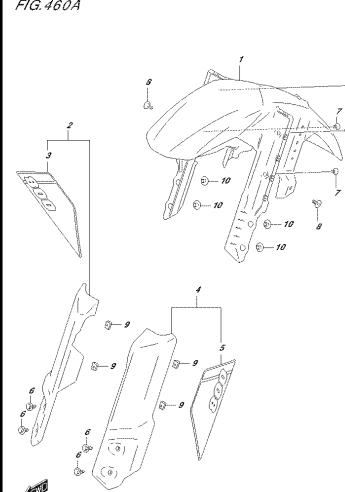
CLASSIFREEM, REF. 447A  
FRANZÖSISCHER

FIG.454A



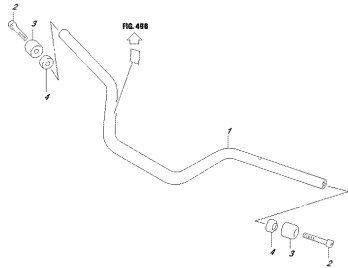
CLASSIFREEM, REF. 454A  
HOLLÄNDISCHER

FIG.460A



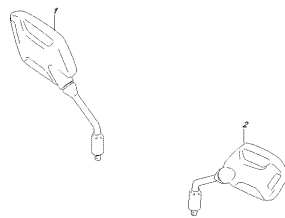
CLASSIFREEM, REF. 460A  
FRONTFAHRNER

FIG.462A



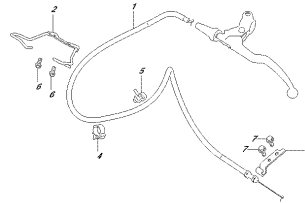
ELBROSTREMM, 801\_L\_462A  
HAKKELCENEF

FIG.464A



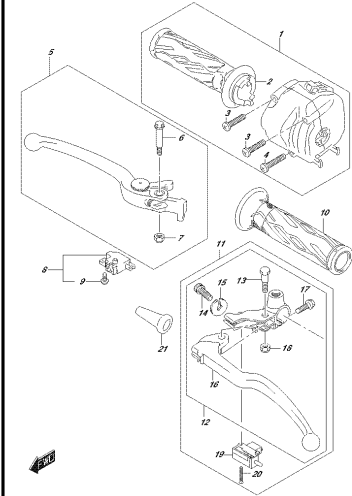
ELBROSTREMM, 801\_L\_464A  
REARVIEW MIRROR

FIG.466A



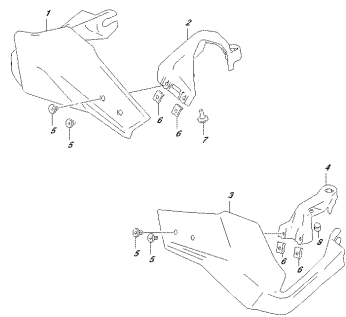
ELBROSTREMM, 801\_L\_466A  
CONTROL CABLE

FIG.467A



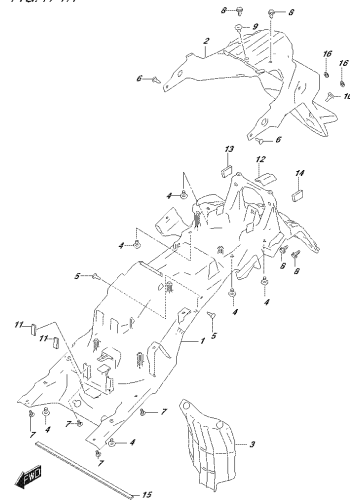
ELBROSTREMM, 801\_L\_467A  
HAKKELCENEF

FIG.472A



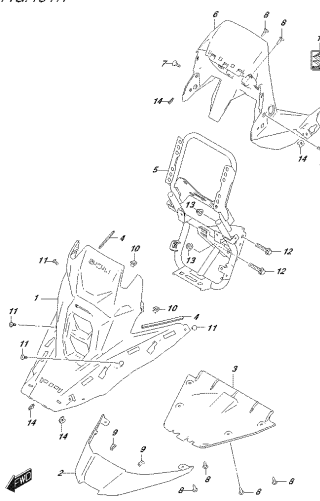
ELBROSTREMM, 801\_L\_472A  
HAKKELCENEF

FIG.474A



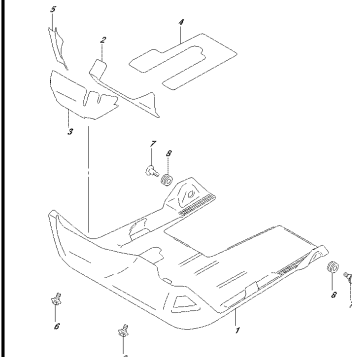
ELBROSTREMM, 801\_L\_474A  
REAR BUMPER

FIG.481A



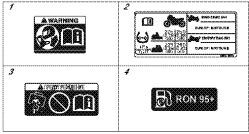
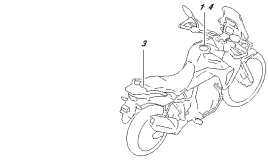
ELBROSTREMM, 801\_L\_481A  
COMPARIGIBEF

FIG.483A



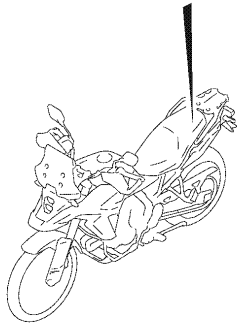
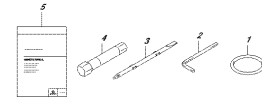
ELBROSTREMM, 801\_L\_483A  
UNDER COMPARIGIBEF

FIG.496B



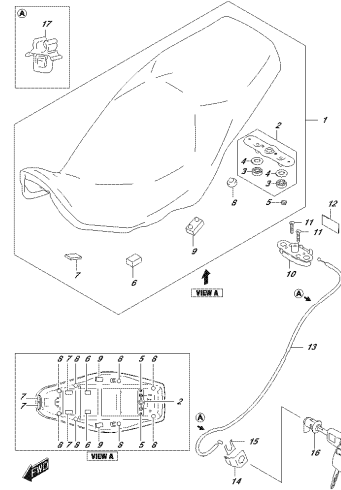
ELBRODIFRAM\_001\_4103  
LARGO

FIG.497A



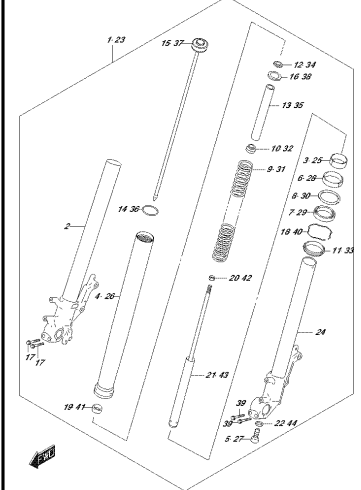
ELBRODIFRAM\_001\_4104  
GRANDE/PIZZE

FIG.505A



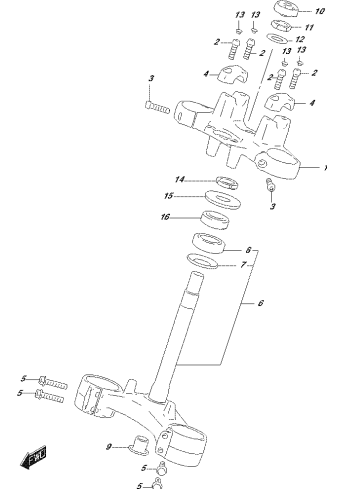
ELBRODIFRAM\_001\_505A  
20/4

FIG.521A



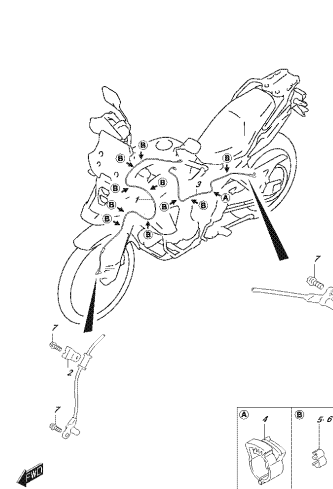
ELBRODIFRAM\_001\_521A  
FRONT FORK CHAMFER

FIG.524A



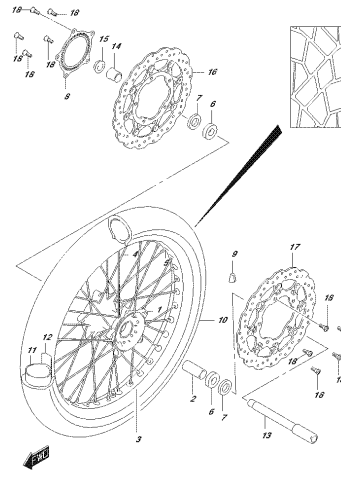
ELBRODIFRAM\_001\_524A  
STEERING STEM

FIG.526A



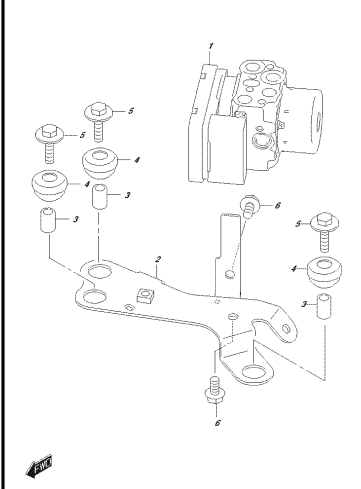
ELBRODIFRAM\_001\_526A  
SPEEDOMETER

FIG.530A



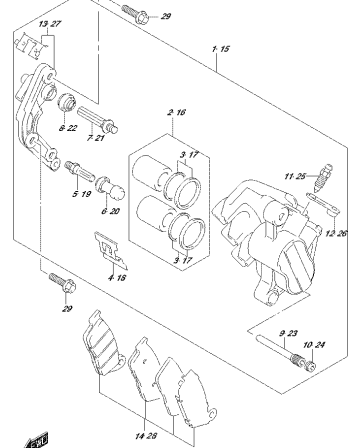
ELBRODIFRAM\_001\_530A  
FRONT WHEEL

FIG.533A



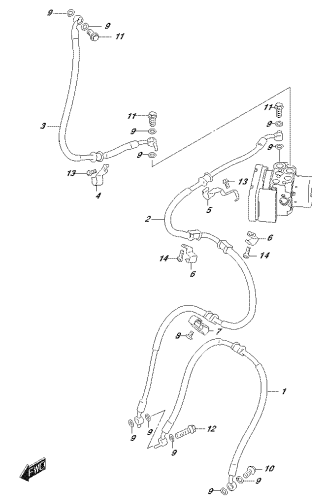
ELBRODIFRAM\_001\_533A  
HYDRAULIC UNIT

FIG.535A



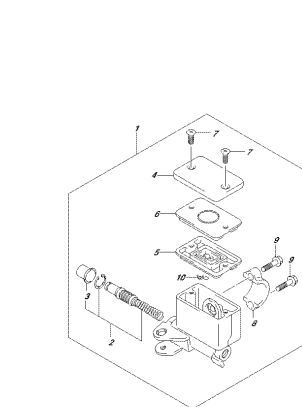
ELBÜSÖRFEMEL\_001\_535A  
 FRONTTÁRKÁNYKERET

FIG.536A



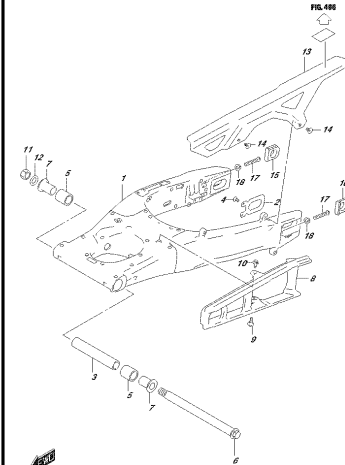
ELBÜSÖRFEMEL\_001\_536A  
 FRONTTÁRKÁNYKERET

FIG.537A



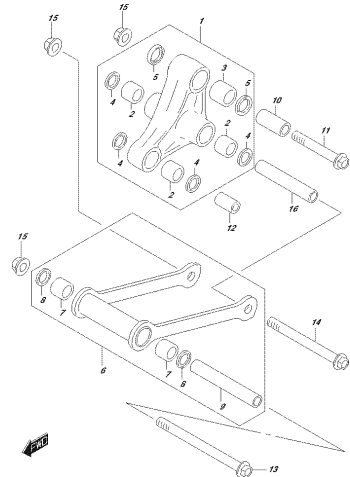
ELBÜSÖRFEMEL\_001\_537A  
 FRONTTÁRKÁNYKERET

FIG.541A



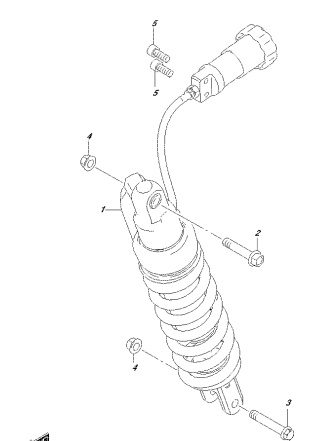
ELBÜSÖRFEMEL\_001\_541A  
 REAR TÁRKÁNYKERET

FIG.543A



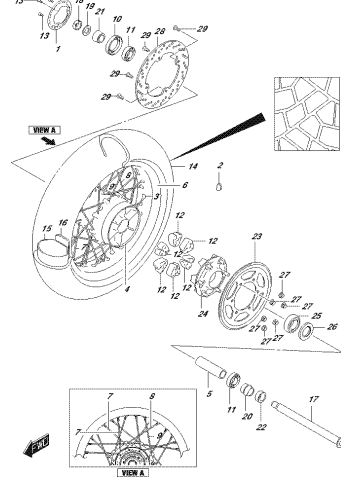
ELBÜSÖRFEMEL\_001\_543A  
 REAR TÁRKÁNYKERET

FIG.545A



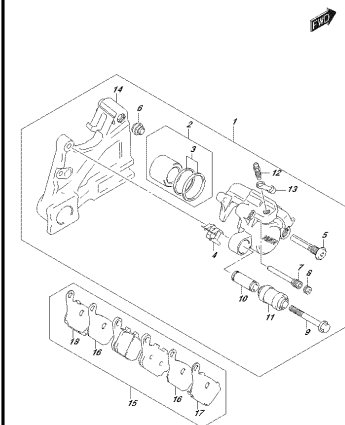
ELBÜSÖRFEMEL\_001\_545A  
 REAR TÁRKÁNYKERET

FIG.550A



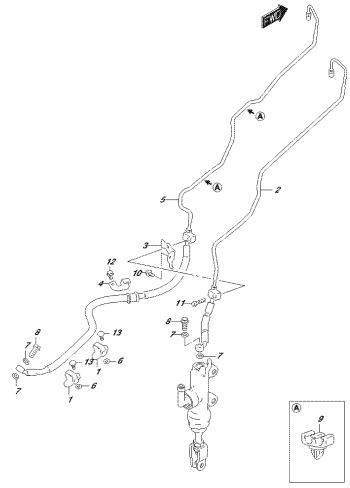
ELBÜSÖRFEMEL\_001\_550A  
 REAR KEREK

FIG.555A



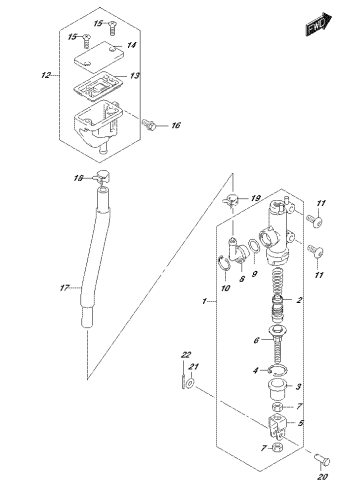
ELBÜSÖRFEMEL\_001\_555A  
 REAR KEREK

FIG. 557A



CLASSIFEMAC EP\_L\_557A  
PCAR557A4E3002

FIG. 558A



CLASSIFEMAC EP\_L\_558A  
PCAR558A3E310020

FIG.101A

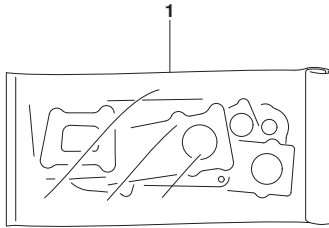
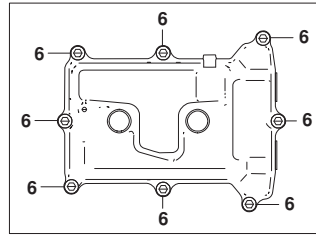


FIG.101A (1-B-2) GASKET SET

REF NO.	PART NO.	DESCRIPTION	Q'TY	REMARKS
1	11400-25821	GASKET SET	1	
2	11141-25L10	.GASKET,CYLINDER HEAD	1	OPT,NOT ILLUSTRATED
3	11173-25L00	.GASKET,CYL HEAD COVER NO.1	1	OPT,NOT ILLUSTRATED
4	11177-25L00	.GASKET,BREATHER PLATE	1	OPT,NOT ILLUSTRATED
5	11178-33E00	.GASKET,CYL HEAD COVER NO.2	2	OPT,NOT ILLUSTRATED
6	11241-25L10	.GASKET,CYLINDER	1	OPT,NOT ILLUSTRATED
7	11482-25L00	.GASKET,CLUTCH COVER	1	OPT,NOT ILLUSTRATED
8	11483-25L00	.GASKET,MAGNETO COVER	1	OPT,NOT ILLUSTRATED
9	11489-25L00	.GASKET,OIL PAN	1	OPT,NOT ILLUSTRATED
10	12837-25L00	.GASKET,TENSIONER ADJUSTER	1	OPT,NOT ILLUSTRATED
11	14181-04K00	.GASKET,EXHAUST PIPE	2	OPT,NOT ILLUSTRATED
12	16611-48K00	.O-RING,OIL COOLER	1	OPT,NOT ILLUSTRATED
13	17421-25L00	.GASKET,WATER PUMP	1	OPT,NOT ILLUSTRATED
14	17431-25L00	.O-RING,WATER PUMP	1	OPT,NOT ILLUSTRATED
15	17861-25L00	.O-RING,WATER CONNECTOR	1	OPT,NOT ILLUSTRATED

FIG.102A



VIEW A

FIG.102A (1-B-3) CYLINDER HEAD COVER

REF NO.	PART NO.	DESCRIPTION	Q'TY	REMARKS
1	11170-25L00	COVER,CYLINDER HEAD	1	
2	11173-25L00	GASKET,CYL HEAD COVER NO.1	1	
3	11176-25L00	PLATE,BREATHER	1	
4	11177-25L00	GASKET,BREATHER PLATE	1	
5	11178-33E00	GASKET,CYL HEAD COVER NO.2	2	
6	11178-69L00	BOLT,CYLINDER HEAD COVER	8	
7	09100-05022	BOLT	5	

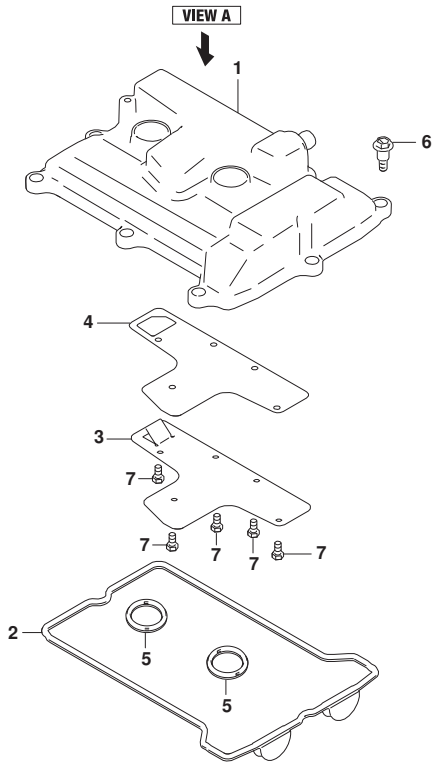
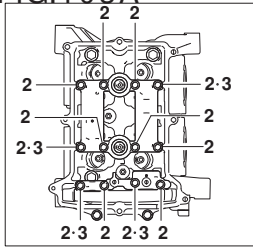
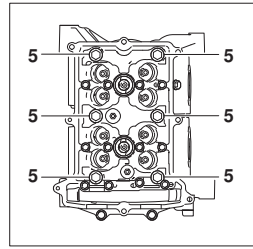




FIG.103A



VIEW A



VIEW B

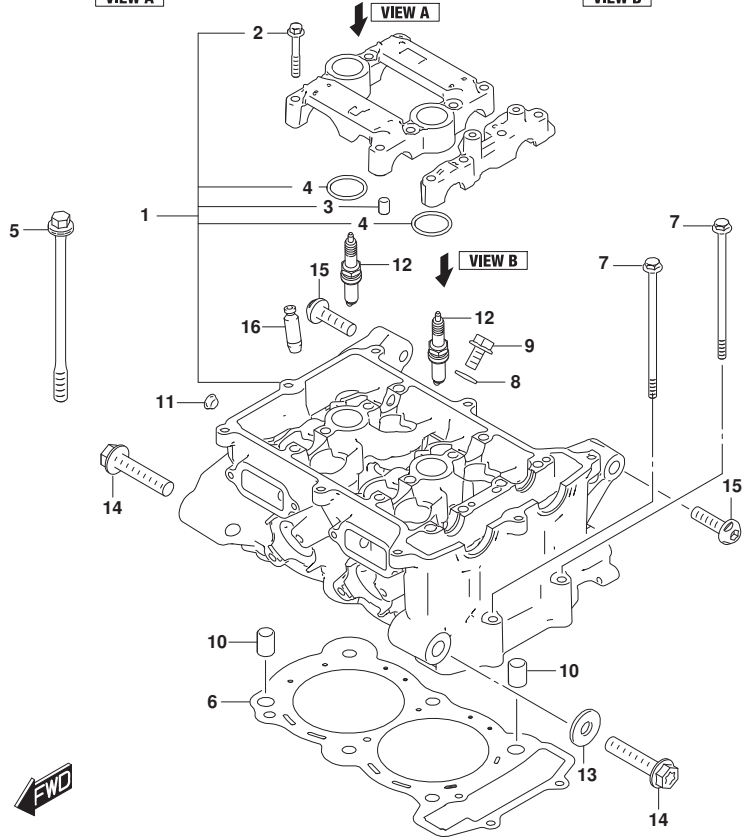


FIG.103A (1-B-4) CYLINDER HEAD

REF NO.	PART NO.	DESCRIPTION	Q'TY	REMARKS
1	11100-25L00	HEAD ASSY,CYLINDER	1	
2	09103-06266	.BOLT (6X40)	12	
3	09206-08001	.PIN (8X11)	4	
4	09280-26007	.O-RING (ID:25.7,DD:2.4)	2	
5	11117-44H00	BOLT,CYL HEAD (L:160)	6	
6	11141-25L10	GASKET,CYLINDER HEAD	1	
7	09103-06148	BOLT (6X120)	2	
8	09168-06023	GASKET (5.8X13X1.2)	1	
9	01550-0612A	BOLT	1	
10	04211-13189	PIN (10.4X13X18)	2	
11	09250-08012	CAP (OD:12)	1	
12	09482-00635	PLUG,SPARK (LMAR8BI-9)	2	
13	11611-25L00	WASHER,ENG MTG FR,L	1	
14	09103-12145	BOLT (L:55)	2	
15	09106-10102	BOLT (L:35)	2	
16	11115-25L70	GUIDE,VALVE OS 0.3	8	OPT

FIG.107A

FIG.107A (1-B-5) CYLINDER

REF NO.	PART NO.	DESCRIPTION	Q'TY	REMARKS
1	11210-25L00-0F0	CYLINDER	1	
2	11241-25L10	GASKET,CYLINDER	1	
3	04211-11169	PIN	2	

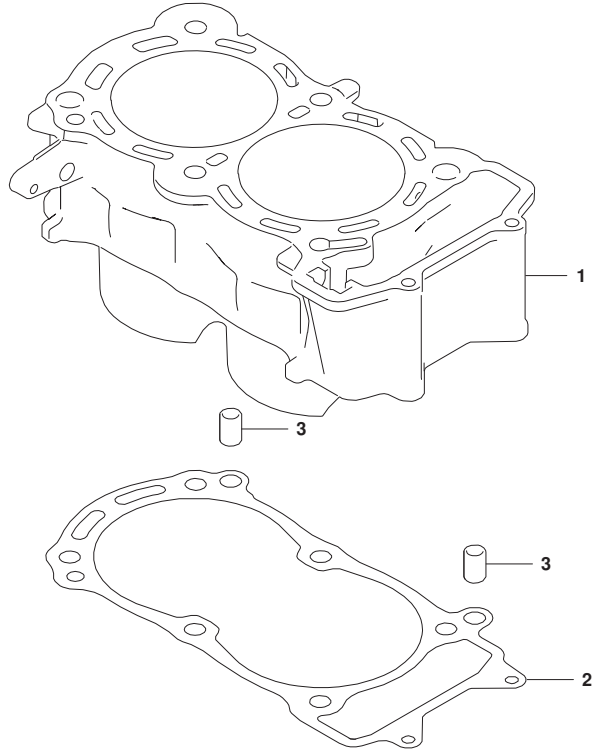


FIG.108A

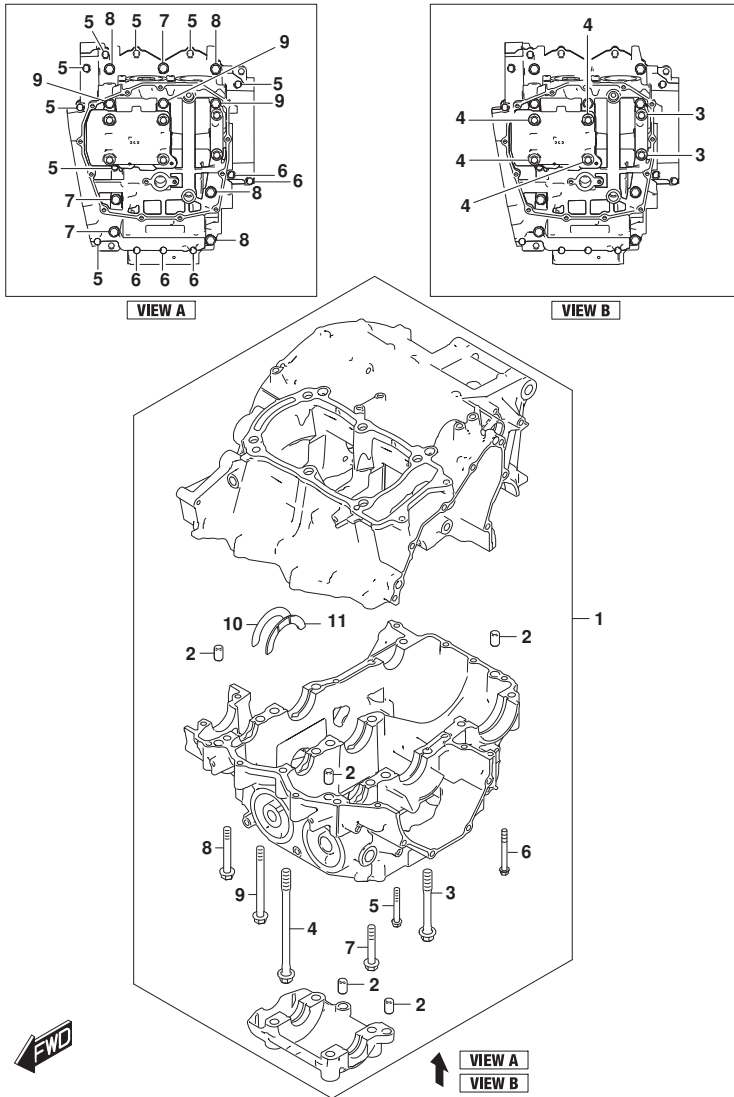


FIG.108A (1-B-6) CRANKCASE

REF NO.	PART NO.	DESCRIPTION	Q'TY	REMARKS
1	11300-25820	CRANKCASE SET	1	
2	11319-33E50	.PIN,CRANKCASE	5	
3	11322-25L00	.BOLT,CRANKCASE	2	
4	11323-25L00	.BOLT,CRANKCASE	4	
5	01547-0645A	.BOLT	8	
6	01547-0655A	.BOLT	5	
7	01550-0850A	.BOLT	3	
8	01550-0860A	.BOLT	4	
9	01550-0895A	.BOLT	3	
10	12228-24F00-0D0	.BEARING,CRANK THRUST (GREEN)	1	RH
11-1	12228-24F00-0A0	.BEARING,CRANK THRUST,L (RED)	1	
11-2	12228-24F00-0B0	.BEARING,CRANK THRUST,L (BLACK )	1	
11-3	12228-24F00-0C0	.BEARING,CRANK THRUST,L (BLUE)	1	
11-4	12228-24F00-0D0	.BEARING,CRANK THRUST (GREEN)	1	LH
11-5	12228-24F00-0E0	.BEARING,CRANK THRUST,L (YELLOW )	1	
11-6	12228-24F00-0F0	.BEARING,CRANK THRUST,L (WHITE )	1	

FIG.109A

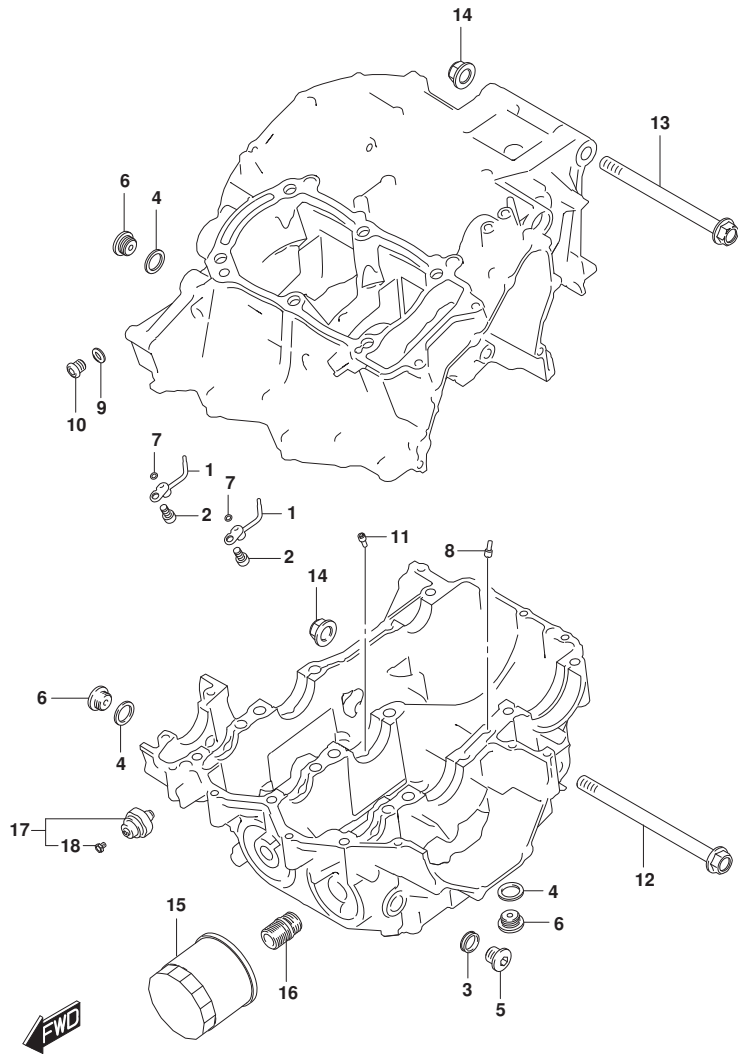


FIG.109A (1-B-7) CRANKCASE (2)

REF NO.	PART NO.	DESCRIPTION	Q'TY	REMARKS
1	11390-25L00	JET,PISTON COOLING	2	
2	09106-06075	BOLT (6X12)	2	
3	09168-14002	GASKET (13.8X18.8X4.8)	1	
4	09168-16002	GASKET (16X22X2)	3	
5	09248-14011	PLUG (14X12)	1	
6	09248-16012	PLUG (16X8)	3	
7	09280-04004	O-RING (D:1.2,ID:4)	2	
8	09493-28012	JET (#140)	1	
9	09168-10002	GASKET (10X14X3.6)	1	
10	09248-10010	PLUG (10X10)	1	
11	09493-22010	JET,AIR	1	
12	09103-12143	BOLT (L:165)	1	
13	09103-12144	BOLT (L:145)	1	
14	09159-12072	NUT	2	
15	16510-07J00	FILTER ASSY,ENGINE OIL (P1.0)	1	
16	16591-06B01	UNION,OIL STAND	1	
17	37820-33D11	SWITCH ASSY,OIL PRESSURE	1	
18	37822-33D00	.BOLT,OIL PRESSURE SWITCH	1	

FIG.113A

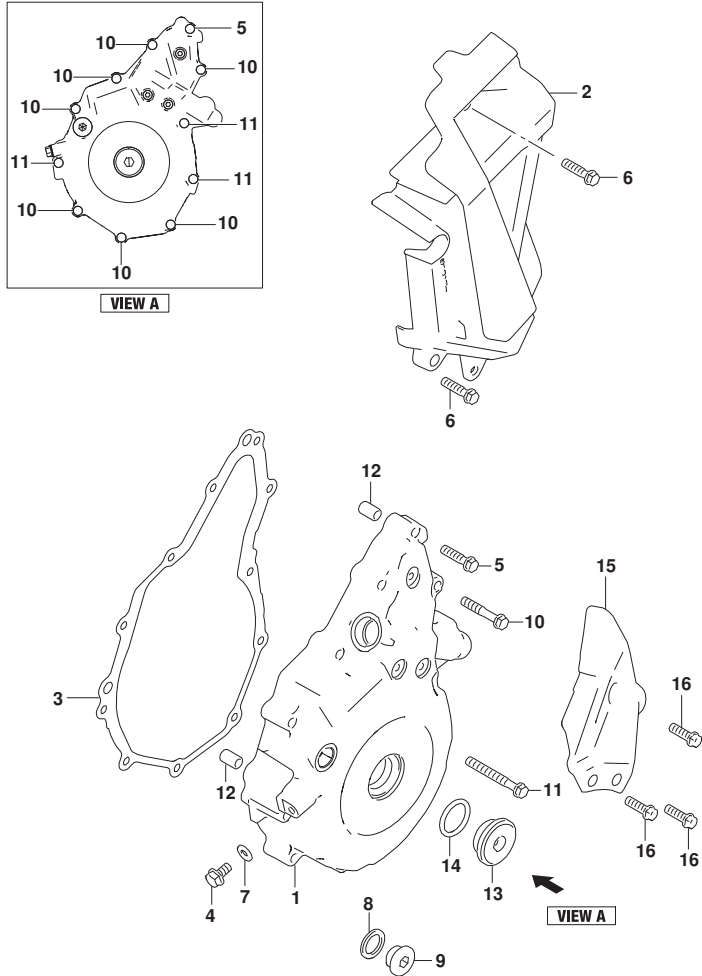
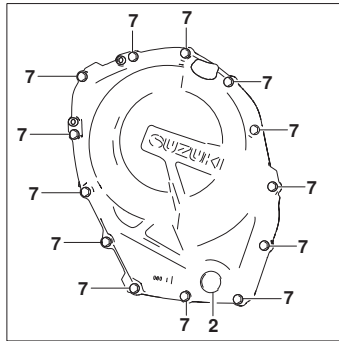


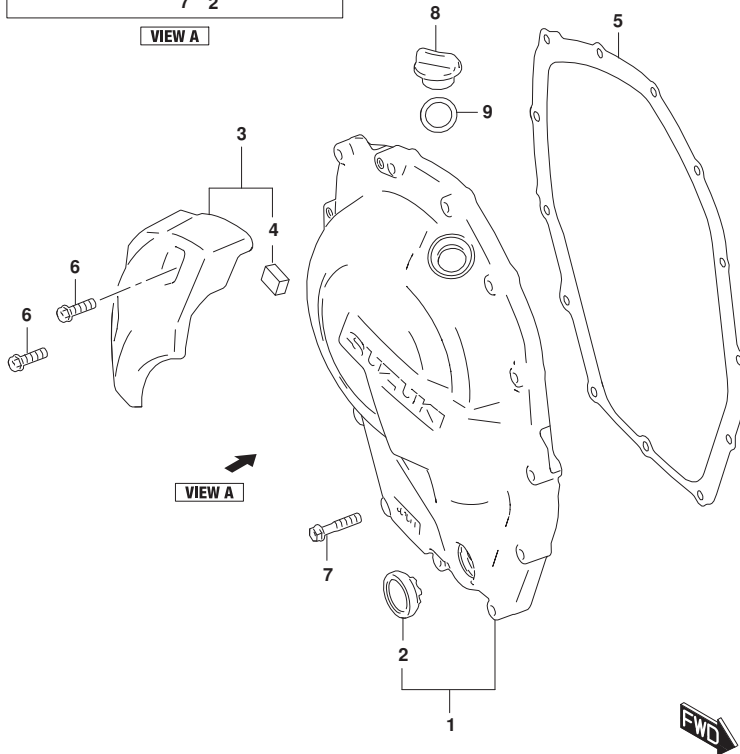
FIG.113A (1-B-8) MAGNETO COVER

REF NO.	PART NO.	DESCRIPTION	Q'TY	REMARKS
1	11351-25L00	COVER,MAGNETO	1	
2	11360-25L00	COVER,ENG SPROCKET	1	
3	11483-25L00	GASKET,MAGNETO COVER	1	
4	09103-06222	BOLT (6X12)	1	
5	09103-06528	BOLT (6X25)	1	
6	09135-06035	BOLT	2	
7	09168-06018	GASKET (6.2X13X1.2)	1	
8	09168-16002	GASKET (16X22X2)	1	
9	09248-16012	PLUG (16X8)	1	
10	09103-06530	BOLT (L:35)	7	
11	09103-06533	BOLT (6X50)	3	
12	04211-09149	PIN (8.5X18X2.3)	2	
13	09259-26012	PLUG	1	
14	09280-22008	O-RING (D:3.1,ID:22.7)	1	
15	11380-25L00	PROTECTOR,MAGNETO COVER	1	
16	09103-06527	BOLT (6X20)	3	

FIG.114A



VIEW A



VIEW A



FIG.114A (1-B-9) CLUTCH COVER

REF NO.	PART NO.	DESCRIPTION	QTY	REMARKS
1	11340-25L00	COVER,CLUTCH	1	
2	11971-48H00	.LENS,OIL LEVEL CHECK	1	
3	11370-25L00	PROTECTOR,CLUTCH COVER	1	
4	94531-20K00	.CUSHION,UNDER COWL	2	
5	11482-25L00	GASKET,CLUTCH COVER	1	
6	09103-06527	BOLT (6X20)	2	
7	09103-06529	BOLT (6X30)	13	
8	09259-20008-XC0	PLUG	1	
9	09280-17003	O-RING (D:3.1,ID:16.8)	1	

FIG.116A

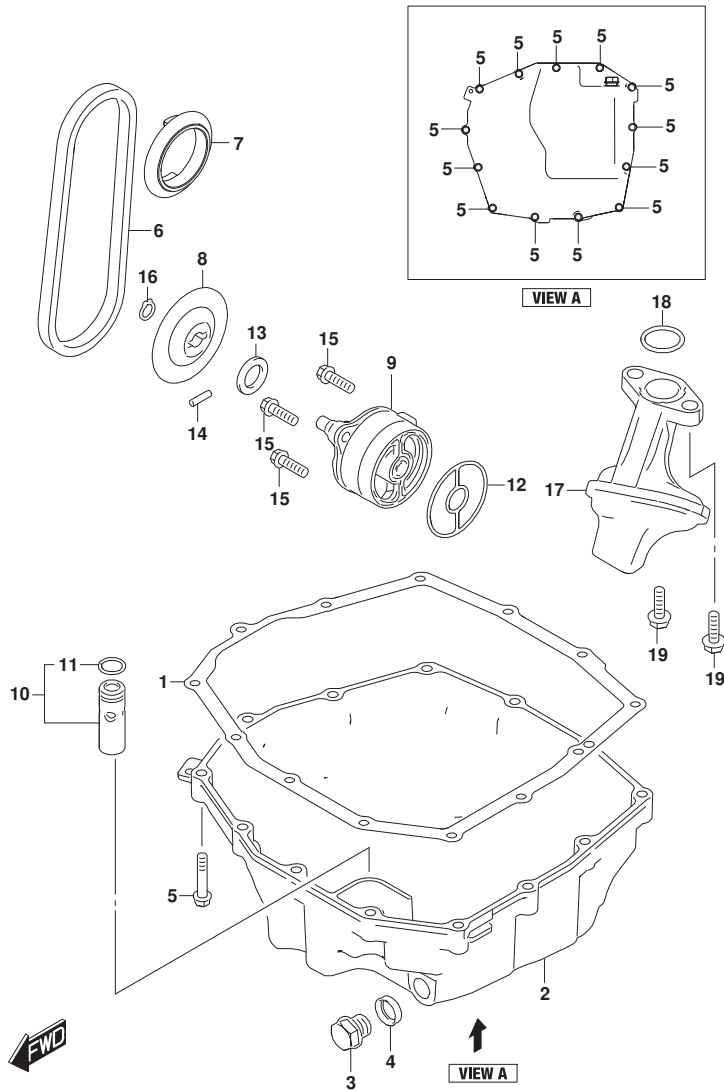


FIG.116A (1-B-10) OIL PAN/OIL PUMP

REF NO.	PART NO.	DESCRIPTION	Q'TY	REMARKS
1	11489-25L00	GASKET,OIL PAN	1	
2	11511-25L00	PAN,OIL	1	
3	09247-14036	PLUG (14X20)	1	OIL DRAIN
4	09168-14002	GASKET (13.8X18.8X4.8)	1	OIL DRAIN
5	01547-0630A	BOLT	13	
6	16310-25L00	CHAIN ASSY,OIL PUMP DRIVE	1	
7	16321-01H00	SPROCKET,OIL PUMP DRIVE (NT:27 )	1	
8	16331-25L00	SPROCKET,OIL PUMP DRIVEN	1	
9	16400-25L00	PUMP ASSY,ENG OIL	1	
10	16440-24F00	VALVE ASSY,OIL RELIEF (7K)	1	
11	09280-13004	.O-RING (D:1.9,ID:13)	1	
12	16491-33E00	O-RING	1	
13	09181-10158	SHIM (10X18X0.5)	1	
14	09261-04009	PIN (4X15.8)	1	
15	01547-0620A	BOLT	3	
16	08331-31109	CIRCLIP	1	
17	16520-25L00	STRAINER,ENG OIL	1	
18	09280-22024	O-RING	1	
19	01550-0620A	BOLT (6X20)	2	

FIG.120A

FIG.120A (1-B-11) CRANKSHAFT

REF NO.	PART NO.	DESCRIPTION	Q'TY	REMARKS
1	12111-25L00-0F0	PISTON	2	
2	12140-25L00	RING SET,PISTON	2	
3	12151-07D10	PIN,PISTON	2	
4	09381-18002	CIRCLIP (OD:20.5)	4	
5	12160-25L00	CONNROD ASSY	2	
6	12163-24F10	.BOLT,CONNECTING ROD	4	
7	04221-04089	.PIN (4X13.8)	4	
8-1	12164-46E10-0A0	BEARING,CRANK PIN (GREEN)	4	
8-2	12164-46E10-0B0	BEARING,CRANK PIN (BLACK)	4	
8-3	12164-46E10-0C0	BEARING,CRANK PIN (BROWN)	4	
8-4	12164-46E10-0D0	BEARING,CRANK PIN (YELLOW)	4	
9	12000-25810	CRANKSHAFT SET	1	
10	12228-24F00-0D0	BEARING,CRANK THRUST (GREEN)	1	
11-1	12228-24F00-0A0	BEARING,CRANK THRUST,L (RED)	1	
11-2	12228-24F00-0B0	BEARING,CRANK THRUST,L (BLACK)	1	
11-3	12228-24F00-0C0	BEARING,CRANK THRUST,L (BLUE)	1	
11-4	12228-24F00-0D0	BEARING,CRANK THRUST (GREEN)	1	
11-5	12228-24F00-0E0	BEARING,CRANK THRUST,L (YELLOW)	1	
11-6	12228-24F00-0F0	BEARING,CRANK THRUST,L (WHITE)	1	
12-1	12229-25L00-0A0	BEARING,CRANKSHAFT (GREEN)	6	
12-2	12229-25L00-0B0	BEARING,CRANKSHAFT (BLACK)	6	
12-3	12229-25L00-0C0	BEARING,CRANKSHAFT (BROWN)	6	
12-4	12229-25L00-0D0	BEARING,CRANKSHAFT (YELLOW)	6	
12-5	12229-25L00-0E0	BEARING,CRANKSHAFT (BLUE)	6	
13	21111-25L00	GEAR,PRIMARY DRIVE	1	
14	21112-25L00	GEAR,PRIMARY DRIVE SCISSORS	1	
15	21114-25L00	WASHER,PRI DRIVE SCISSORS WAVE	1	
16	09440-07081	SPRING	3	
17	08331-31409	CIRCLIP	1	
18	09103-10338	BOLT (10X19)	1	
19	21121-25L00	SPACER,PRIMARY DRIVE GEAR	1	

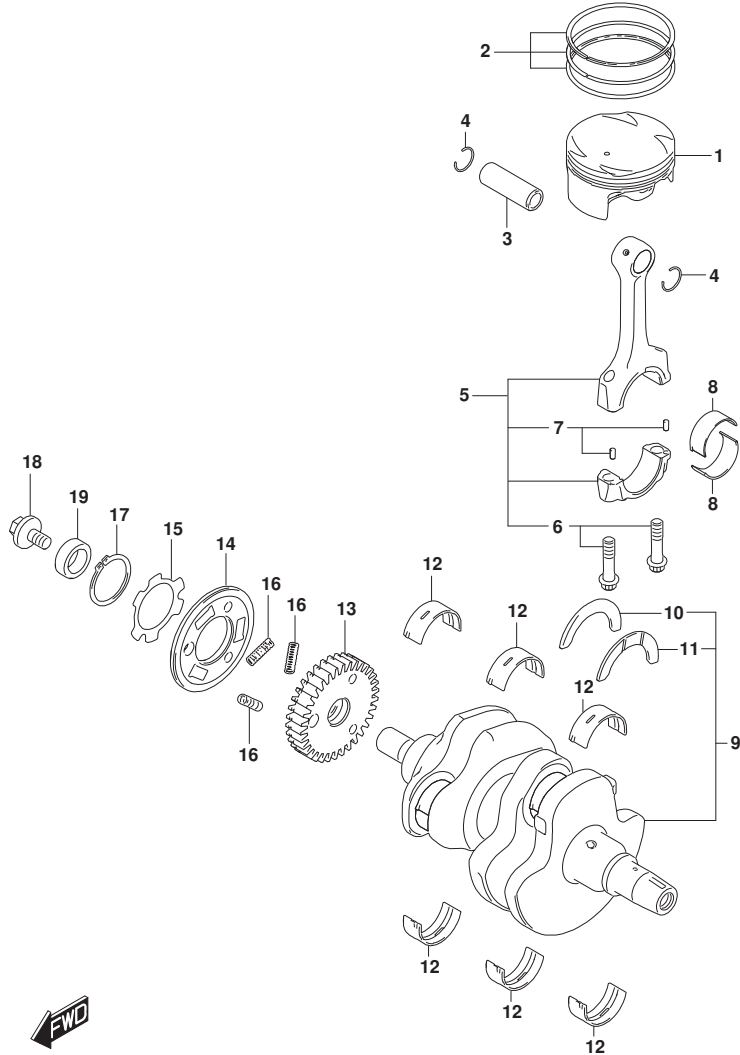




FIG.122A

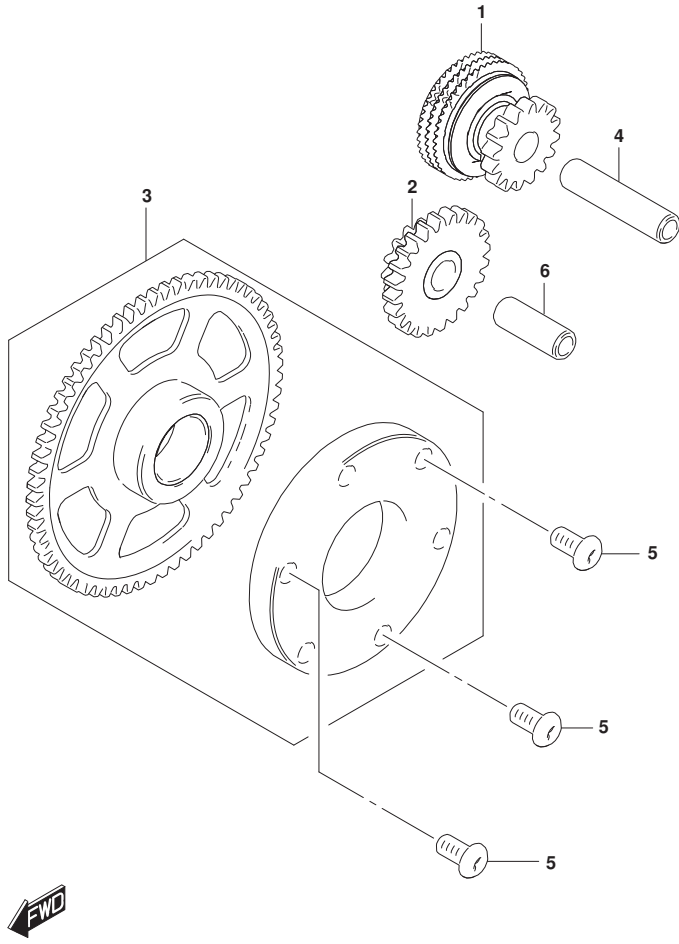


FIG.122A (1-B-12) STARTER CLUTCH

REF NO.	PART NO.	DESCRIPTION	Q'TY	REMARKS
1	12600-25L00	LIMITER ASSY,START ID GR NO.1	1	
2	12610-25L00	GEAR,STARTER IDLE NO.2 (NT:14)	1	
3	12600-25830	CLUTCH SET,STARTER	1	
4	12615-24F00	PIN,STARTER IDLE GEAR NO.1	1	
5	12615-25L00	BOLT,STARTER CLUTCH	3	
6	09206-12007	PIN (8X12X33)	1	

FIG.124A

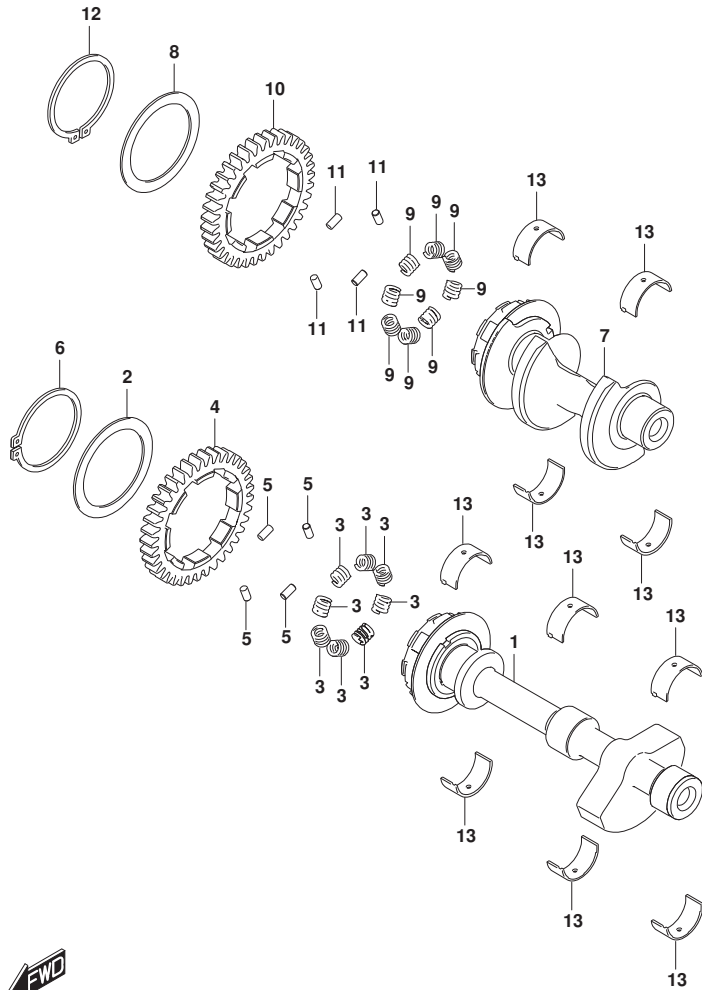


FIG.124A (1-B-13) CRANK BALANCER

REF NO.	PART NO.	DESCRIPTION	Q'TY	REMARKS
1	12601-25L10	BALANCER,CRANK NO.1	1	
2	12662-25L10	WASHER,CRK BAL DRIVEN GR NO.2	1	
3	12663-25L00	SPRING,CRANK BAL DRIVEN GEAR	8	
4	12666-25L00	GEAR,CRANK BALANCER DRIVEN (NT :37)	1	
5	09202-04017	PIN (4.5X9.5)	4	
6	08331-31529	CIRCLIP	1	
7	12602-25L10	BALANCER,CRANK NO.2	1	
8	12662-25L10	WASHER,CRK BAL DRIVEN GR NO.2	1	
9	12663-25L00	SPRING,CRANK BAL DRIVEN GEAR	8	
10	12666-25L00	GEAR,CRANK BALANCER DRIVEN (NT :37)	1	
11	09202-04017	PIN (4.5X9.5)	4	
12	08331-31529	CIRCLIP	1	
13-1	12229-25L10-0A0	BEARING,CRANK BALANCER	10	
13-2	12229-25L10-0B0	BEARING,CRANK BALANCER	10	
13-3	12229-25L10-0C0	BEARING,CRANK BALANCER	10	
13-4	12229-25L10-0D0	BEARING,CRANK BALANCER	10	

FIG.126A

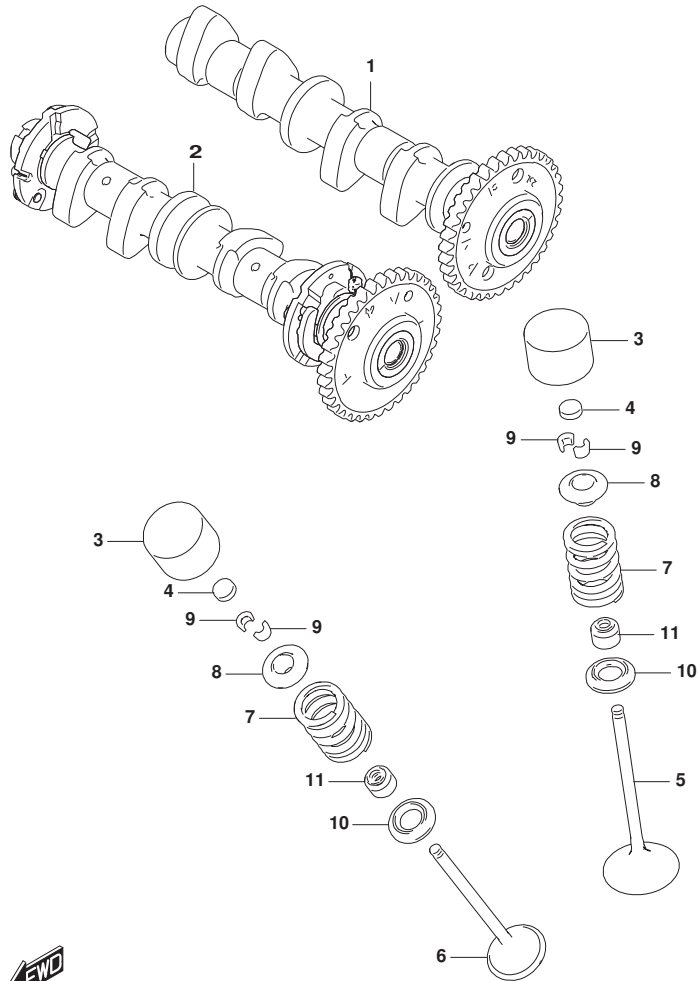


FIG.126A (1-B-14) CAMSHAFT/VALVE

REF NO.	PART NO.	DESCRIPTION	Q'TY	REMARKS
1	12701-25L00	CAMSHAFT,INTAKE	1	
2	12702-25L01	CAMSHAFT,EXHAUST	1	
3	12891-02F10	TAPPET	8	
4-1	12892-41C00-230	SHIM,TAPPET (T:2.30)	8	
4-2	12892-41C00-232	SHIM,TAPPET (T:2.32)	8	
4-3	12892-41C00-235	SHIM,TAPPET (T:2.35)	8	
4-4	12892-41C00-238	SHIM,TAPPET (T:2.38)	8	
4-5	12892-41C00-240	SHIM,TAPPET (T:2.40)	8	
4-6	12892-41C00-242	SHIM,TAPPET (T:2.42)	8	
4-7	12892-41C00-245	SHIM,TAPPET (T:2.45)	8	
4-8	12892-41C00-248	SHIM,TAPPET (T:2.48)	8	
4-9	12892-41C00-250	SHIM,TAPPET (T:2.50)	8	
4-10	12892-41C00-252	SHIM,TAPPET (T:2.52)	8	
4-11	12892-41C00-255	SHIM,TAPPET (T:2.55)	8	
4-12	12892-41C00-258	SHIM,TAPPET (T:2.58)	8	
4-13	12892-41C00-260	SHIM,TAPPET (T:2.60)	8	
4-14	12892-41C00-262	SHIM,TAPPET (T:2.62)	8	
4-15	12892-41C00-265	SHIM,TAPPET (T:2.65)	8	
4-16	12892-41C00-268	SHIM,TAPPET (T:2.68)	8	
4-17	12892-41C00-270	SHIM,TAPPET (T:2.70)	8	
4-18	12892-41C00-272	SHIM,TAPPET (T:2.72)	8	
4-19	12892-41C00-275	SHIM,TAPPET (T:2.75)	8	
4-20	12892-41C00-278	SHIM,TAPPET (T:2.78)	8	
4-21	12892-41C00-280	SHIM,TAPPET (T:2.80)	8	
4-22	12892-41C00-282	SHIM,TAPPET (T:2.82)	8	
4-23	12892-41C00-285	SHIM,TAPPET (T:2.85)	8	
4-24	12892-41C00-288	SHIM,TAPPET (T:2.88)	8	
4-25	12892-41C00-290	SHIM,TAPPET (T:2.90)	8	
4-26	12892-41C00-292	SHIM,TAPPET (T:2.92)	8	
4-27	12892-41C00-295	SHIM,TAPPET (T:2.95)	8	
4-28	12892-41C00-298	SHIM,TAPPET (T:2.98)	8	
4-29	12892-41C00-300	SHIM,TAPPET (T:3.00)	8	
4-30	12892-41C00-302	SHIM,TAPPET (T:3.02)	8	
4-31	12892-41C00-305	SHIM,TAPPET (T:3.05)	8	
4-32	12892-41C00-308	SHIM,TAPPET (T:3.08)	8	

FIG.126A

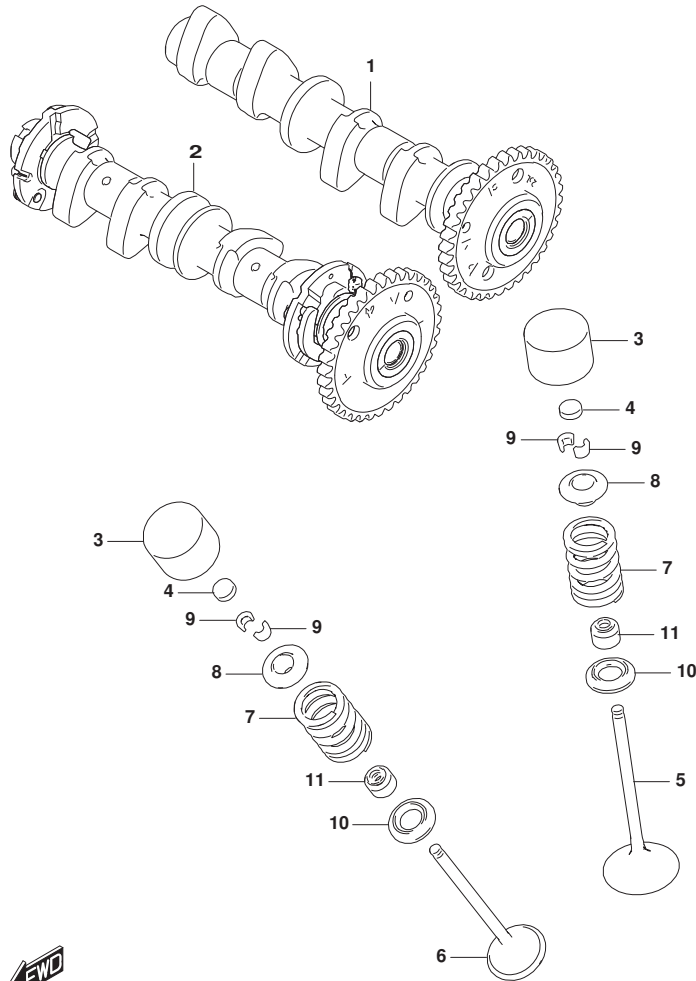


FIG.126A (1-B-15) CAMSHAFT/VALVE

REF NO.	PART NO.	DESCRIPTION	Q'TY	REMARKS
4-33	12892-41C00-310	SHIM,TAPPET (T:3.10)	8	
4-34	12892-41C00-312	SHIM,TAPPET (T:3.12)	8	
4-35	12892-41C00-315	SHIM,TAPPET (T:3.15)	8	
4-36	12892-41C00-318	SHIM,TAPPET (T:3.18)	8	
4-37	12892-41C00-320	SHIM,TAPPET (T:3.20)	8	
4-38	12892-41C00-322	SHIM,TAPPET (T:3.22)	8	
4-39	12892-41C00-325	SHIM,TAPPET (T:3.25)	8	
4-40	12892-41C00-328	SHIM,TAPPET (T:3.28)	8	
4-41	12892-41C00-330	SHIM,TAPPET (T:3.30)	8	
4-42	12892-41C00-332	SHIM,TAPPET (T:3.32)	8	
4-43	12892-41C00-335	SHIM,TAPPET (T:3.35)	8	
4-44	12892-41C00-338	SHIM,TAPPET (T:3.38)	8	
4-45	12892-41C00-340	SHIM,TAPPET (T:3.40)	8	
4-46	12892-41C00-342	SHIM,TAPPET (T:3.42)	8	
4-47	12892-41C00-345	SHIM,TAPPET (T:3.45)	8	
4-48	12892-41C00-348	SHIM,TAPPET (T:3.48)	8	
4-49	12892-41C00-350	SHIM,TAPPET (T:3.50)	8	
5	12911-25L00	VALVE,INTAKE	4	
6	12912-25L00	VALVE,EXHAUST	4	
7	12921-25L00	SPRING,VALVE	8	
8	12931-41K00	RETAINER,VALVE SPRING	8	
9	12932-27A00	COTTER,VALVE	16	
10	12933-25L00	SEAT,VALVE SPRING	8	
11	12934-69L00	SEAL,VALVE STEM	8	
12	12800-41810	SHIM SET,TAPPET (5PCS.EACH)	1	OPT,NOT ILLUSTRATED
13	99000-69471	.CASE,TAPPET SHIM	1	OPT,NOT ILLUSTRATED

FIG.127A

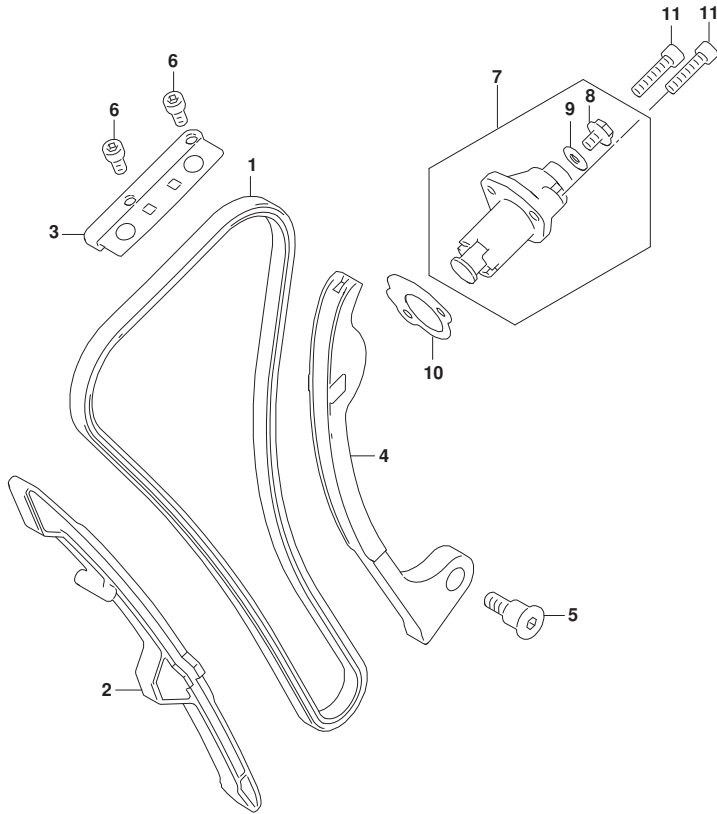


FIG.127A (1-B-16) CAM CHAIN

REF NO.	PART NO.	DESCRIPTION	Q'TY	REMARKS
1	12760-25L00	CHAIN,CAMSHAFT DRIVE	1	
2	12771-25L00	GUIDE,CAM CHAIN NO.1	1	
3	12782-25L00	GUIDE,CAM CHAIN NO.2	1	
4	12811-25L00	TENSIONER,CAM CHAIN	1	
5	12812-31G00	BOLT,CAM CHAIN TENSIONER	1	
6	07130-0612A	BOLT	2	
7	12830-25L00	ADJUSTER ASSY,TENSIONER	1	
8	12833-25L00	.PLUG,TENSIONER ADJUSTER	1	
9	12837-49H00	.GASKET,TENSIONER ADJUSTER	1	
10	12837-25L00	GASKET,TENSIONER ADJUSTER	1	
11	07130-0625B	BOLT	2	



FIG.140A

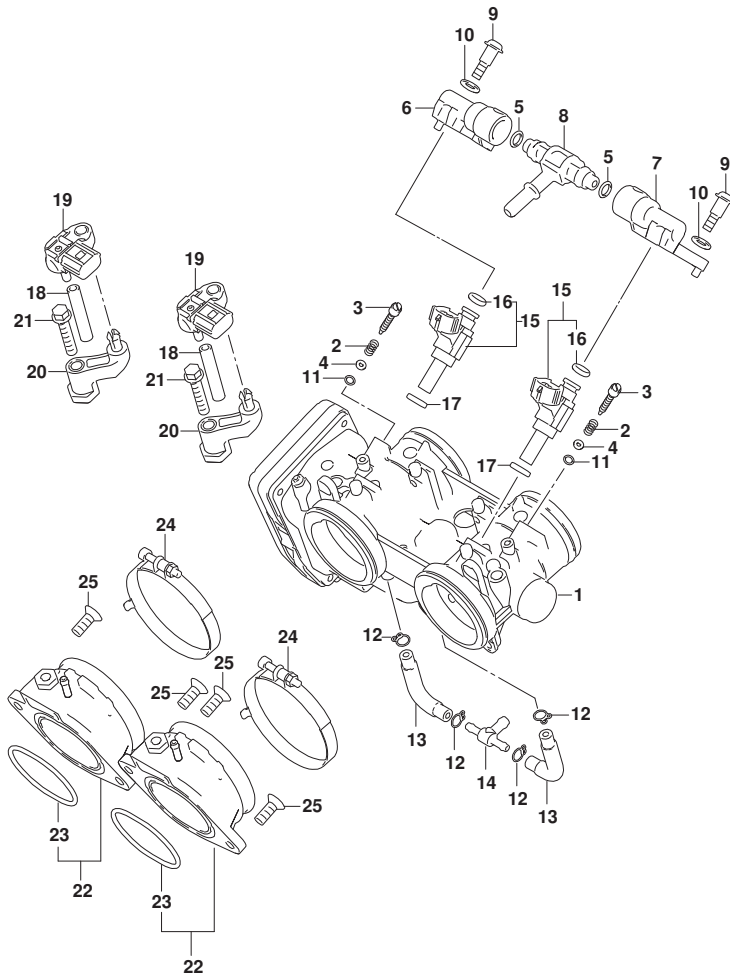


FIG.140A (1-C-2) THROTTLE BODY

REF NO.	PART NO.	DESCRIPTION	Q'TY	REMARKS
1	13405-25L00	MIXER ASSY	1	
2	13268-48700	SPRING,THROTTLE SCREW	2	
3	13269-33E00	SCREW	2	
4	13295-29901	O-RING	2	
5	13374-32G00	O-RING	2	
6	13471-25L00	DELIVERY PIPE	1	
7	13472-25L00	DELIVERY PIPE	1	
8	13473-25L00	NIPPLE	1	
9	13601-11J00	SCREW	2	
10	13602-29G01	PACKING	2	
11	13606-47A00	WASHER	2	
12	13671-12C00	CLIP	4	
13	13682-25L00	HOSE	2	
14	13685-04F10	NIPPLE	1	
15	15710-17K00	INJECTOR ASSY	2	
16	15717-58B00	.O-RING	2	
17	15722-14J00	SEAL	2	
18	09355-35007-030	HOSE	2	
19	18590-18K10	SENSOR,BOOST	2	
20	18596-25L00	BRACKET,AIR PRESSURE SENSOR	2	
21	01547-0630A	BOLT	2	
22	13101-25L00	PIPE ASSY,INTAKE	2	
23	13127-25L00	.O-RING,INTAKE PIPE	2	
24	13170-25L00	CLAMP,INTAKE PIPE	2	
25	02122-0616A	SCREW	4	



FIG.155A

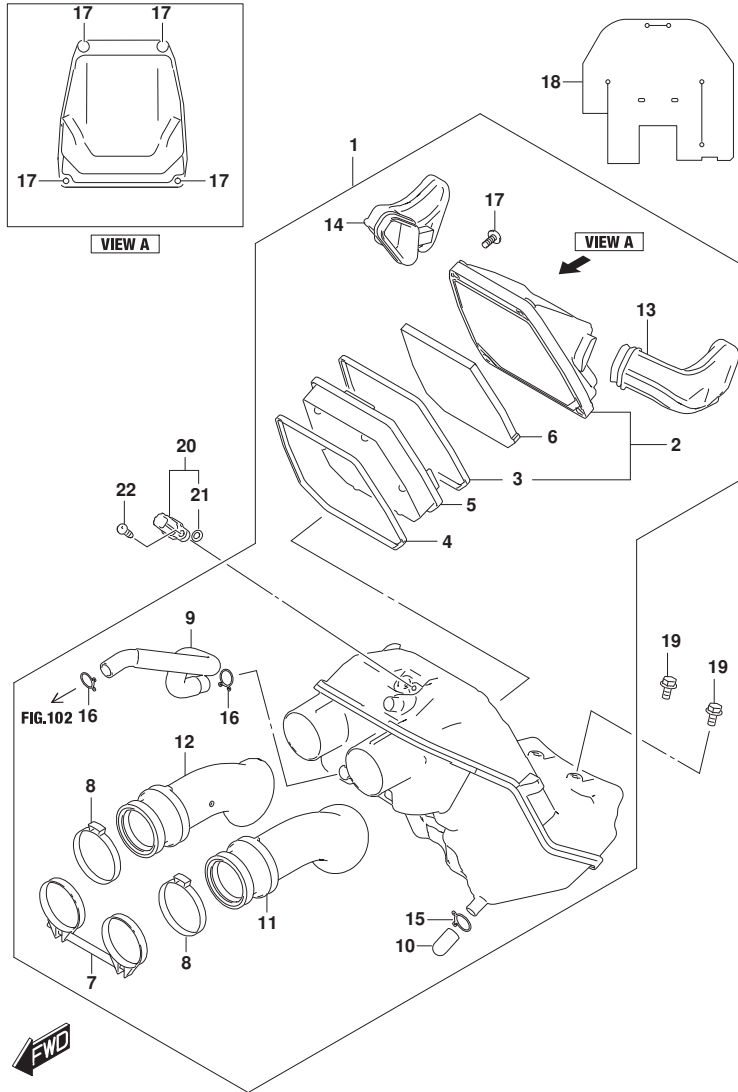


FIG.155A (1-C-3) AIR CLEANER

REF NO.	PART NO.	DESCRIPTION	Q'TY	REMARKS
1	13700-25L00	CLEANER ASSY,AIR	1	
2	13741-25L00	.CAP,AIR CLNR	1	
3	13746-25L00	.GASKET FILTER	1	
4	13746-25L00	.GASKET FILTER	1	
5	13780-25L00	.FILTER AIR CLNR	1	
6	13786-25L00	.PREFILTER	1	
7	13826-25L00	.CLAMP,AIR CLNR	1	
8	13827-25L00	.BAND,FRONT	2	
9	13850-25L00	.TUBE,BREATHER	1	
10	13878-10G01	.PLUG	1	
11	13881-25L00	.TUBE,OUTLET L	1	
12	13882-25L00	.TUBE,OUTLET R	1	
13	13891-25L00	.TUBE,INLET L	1	
14	13892-25L00	.TUBE,INLET R	1	
15	09401-14101	.CLIP (ID:14.5)	1	
16	09401-16401	.CLIP (ID:16.5)	2	
17	02142-0520A	.SCREW	4	
18	13841-25L00	SHEET,AIR CLEANER INLET	1	
19	01550-0612A	BOLT	2	
20	13650-41F10	SENSOR,AIR TEMP	1	
21	13655-41F10	.O-RING	1	
22	03511-0516A	SCREW	1	

FIG.163A

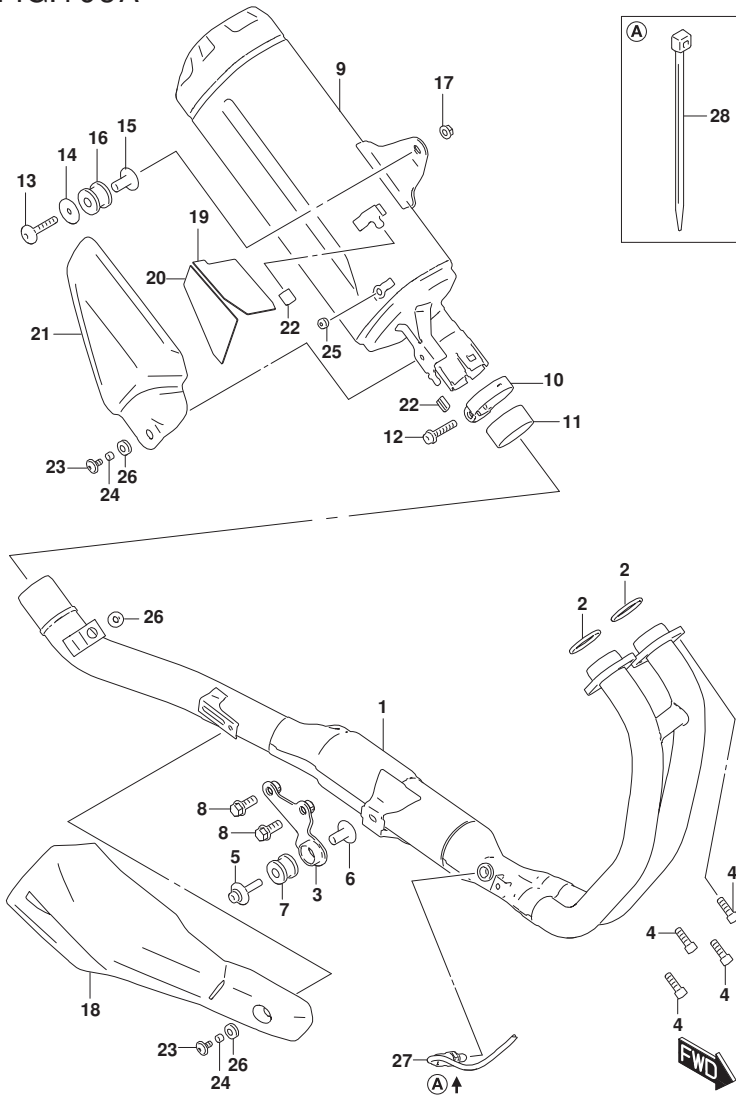


FIG.163A (1-C-4) MUFFLER

REF NO.	PART NO.	DESCRIPTION	Q'TY	REMARKS
1	14100-25LG0	EXHAUST	1	
2	14181-04K00	GASKET,EXHAUST PIPE	2	
3	14770-25LG0	BRACKET,EXH SPRT	1	
4	09106-08178	BOLT (8X25)	4	
5	09116-08176	BOLT	1	
6	09180-08152	SPACER (8.6X12X24.2)	1	
7	09320-12077	CUSHION (12X30X24)	1	
8	01550-1025B	BOLT	2	
9	14310-25LG0	BODY,MUFFLER	1	
10	14459-47H00	CLAMP,MUFFLER CONNECTOR	1	
11	14771-24F10	CONNECTOR,MUFFLER	1	
12	09106-08162	BOLT (8X40)	1	
13	09106-08195	BOLT (8X45)	1	
14	09160-08162	WASHER (8.5X33X1.6)	1	
15	09180-08152	SPACER (8.6X12X24.2)	1	
16	09320-12049	CUSHION	1	
17	08316-1008B	NUT	1	
18	14761-25LG0	COVER,MUFFLER FR	1	
19	14765-25LG0	SHIELD,MUF COV HEAT	1	
20	14766-25LG0	SHIELD,MUF COV FR HEAT NO.2	1	
21	14780-25LG0	COVER,MUFFLER	1	
22	14795-10FA0	GROMMET	2	
23	09139-06240	SCREW	2	
24	09180-06256	SPACER (6.5X9X5.7)	2	
25	09320-04013	CUSHION (4X12X8)	1	
26	09320-08066	CUSHION (8.4X18X6)	3	
27	18213-25L40	SENSOR,OXYGEN	1	
28	09407-14407	CLAMP (L:145)	1	



FIG.172A

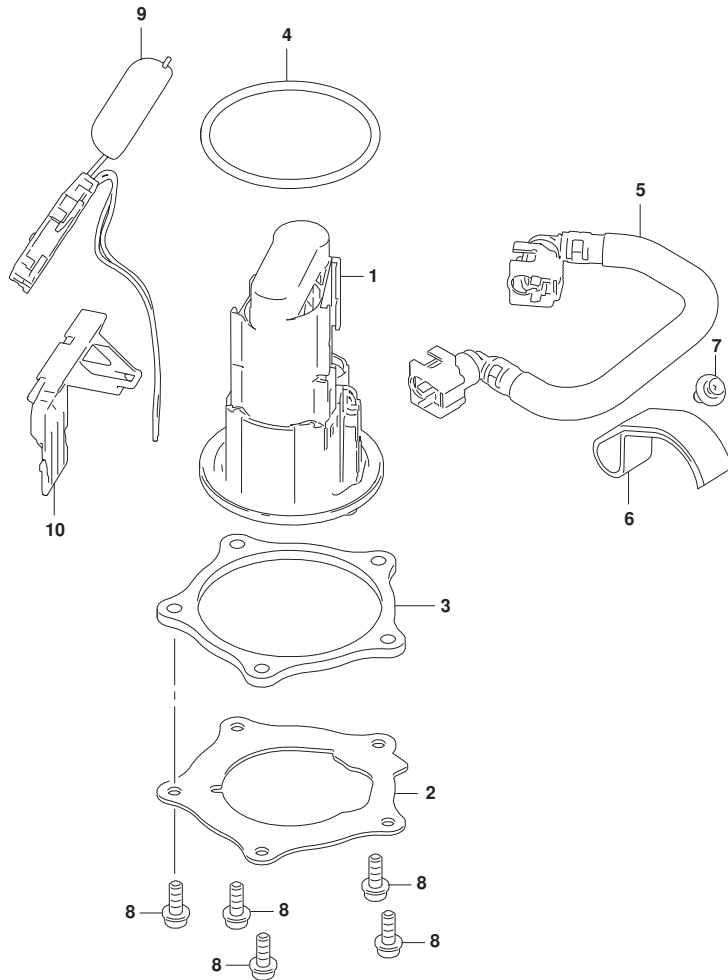


FIG.172A (1-C-5) FUEL PUMP

REF NO.	PART NO.	DESCRIPTION	Q'TY	REMARKS
1	15100-25L00	PUMP ASSY,FUEL	1	
2	15121-25L00	PLATE,FUEL PUMP OUTER	1	
3	15122-17K00	PLATE,FUEL PUMP INNER	1	
4	15201-07L00	O-RING,FUEL PUMP	1	
5	15810-25L00	HOSE,FUEL	1	
6	15821-25L00	CLAMP,FUEL HOSE	1	
7	09409-06347	CLIP	1	
8	07120-0616A	BOLT	5	
9	34810-25L00	GAUGE ASSY,FUEL LEVEL SENDER	1	
10	34815-25L00	ATTACHMENT,FUEL LEVEL SENDER	1	

FIG.178A

FIG.178A (1-C-6) OIL COOLER

REF NO.	PART NO.	DESCRIPTION	Q'TY	REMARKS
1	16600-25L00	COOLER ASSY,OIL	1	
2	16611-48K00	O-RING,OIL COOLER	1	
3	07120-0620A	BOLT	4	
4	16461-25L00	HOSE,OIL COOLER WATER INLET	1	
5	16471-25L00	HOSE,OIL COOLER WATER OUTLET	1	
6	09401-16407	CLIP (ID:16.5)	4	

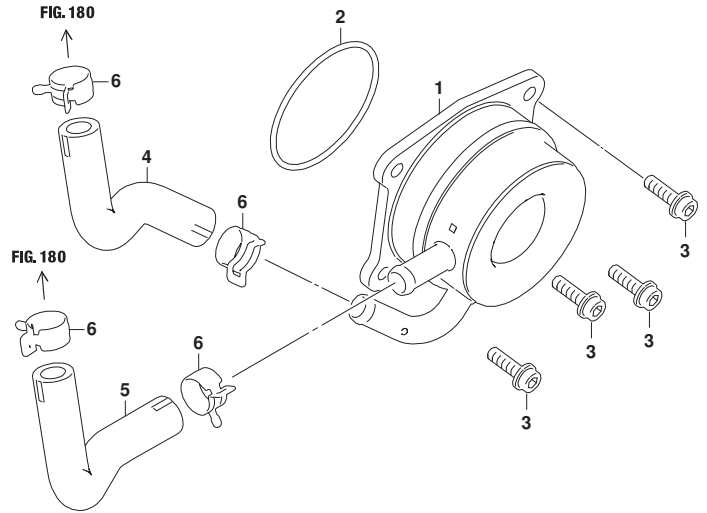


FIG.180A

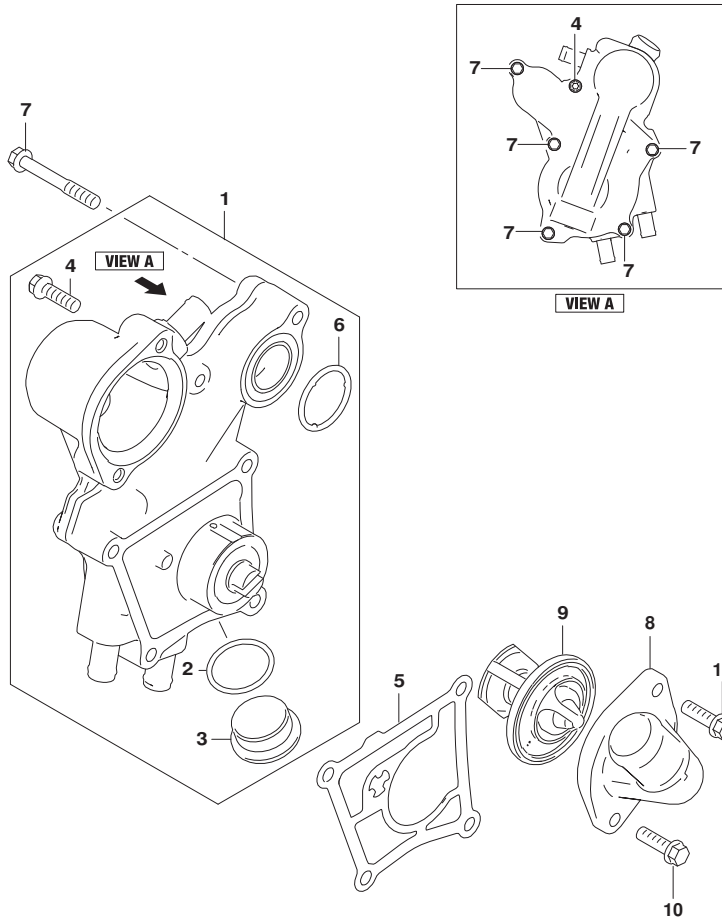


FIG.180A (1-C-7) WATER PUMP

REF NO.	PART NO.	DESCRIPTION	Q'TY	REMARKS
1	17400-25L00	PUMP ASSY,WATER	1	
2	11217-85FA0	.GASKET,PLUG (26.5X30.5X1)	1	
3	09248-26001	.PLUG (26X11)	1	
4	09103-06527	.BOLT (6X20)	1	
5	17421-25L00	GASKET,WATER PUMP	1	
6	17431-25L00	O-RING,WATER PUMP	1	
7	09103-06532	BOLT (L:45)	5	
8	17661-25L00	CAP,THERMOSTAT	1	
9	17670-81AB1	THERMOSTAT,WTR 82 DEG	1	
10	01547-0620A	BOLT	2	



FIG.185A

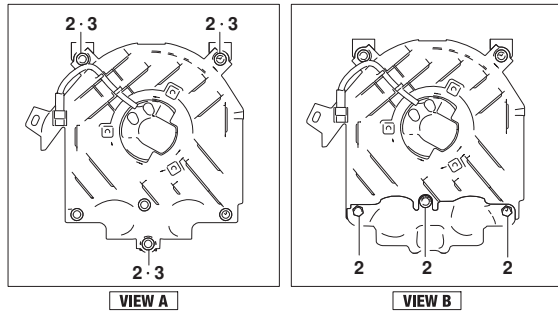


FIG.185A (1-C-8) RADIATOR

REF NO.	PART NO.	DESCRIPTION	Q'TY	REMARKS
1	17700-25LA0	RADIATOR COMP	1	
2	17711-14G00	BOLT,FAN ASSY	6	
3	17802-14F00	NUT,RADIATOR FAN	3	
4	17810-25L00	SHROUD FAN ASSY	1	
5	17812-25L00	PLATE	1	
6	09320-10051	CUSHION	3	
7	17730-14G00	CAP,RADIATOR (1.1)	1	
8	17740-25LA0	BRACKET,RADIATOR UPPER	1	
9	17750-25LA0	BRACKET,RADIATOR LOWER	1	
10	17760-25L00	GUARD,RADIATOR	1	
11	17771-25L00	SHIELD,RADIATOR HEAT	1	
12	17802-12K00	NUT	2	
13	47122-28K00	CUSHION,FRAME COVER FR RR	2	
14	94479-35F00	CLIP	1	
15	09118-06097	BOLT (6X25)	3	
16	09139-06214	SCREW (6X16)	2	
17	09180-06290	SPACER (6.5X10X12)	3	
18	09329-18001	CUSHION	4	
19	01550-0616A	BOLT	1	
20	02162-0612A	SCREW	2	

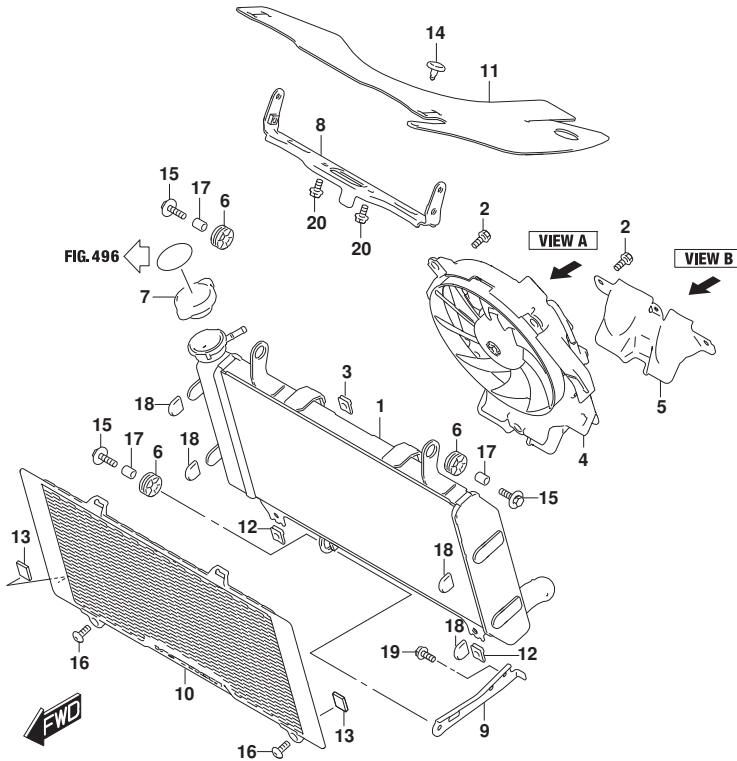


FIG.187A

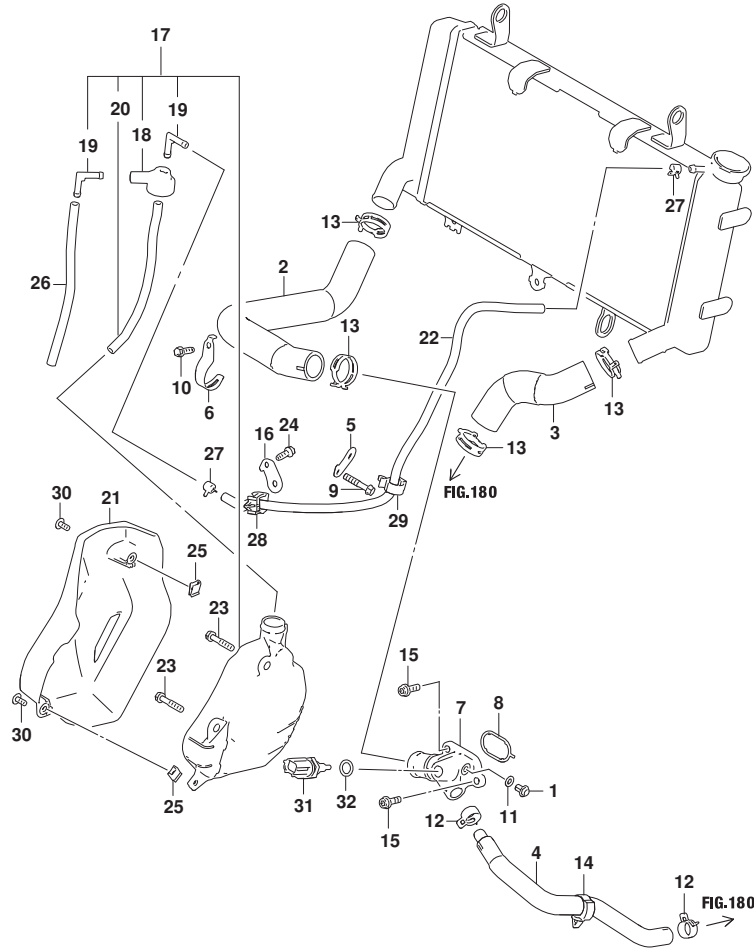


FIG.187A (1-C-9) RADIATOR HOSE

REF NO.	PART NO.	DESCRIPTION	Q'TY	REMARKS
1	17568-50F00	UNION BOLT,AIR VENT	1	
2	17851-25LA0	HOSE,RDTR INLET	1	
3	17852-25LA0	HOSE,RDTR OUTLET	1	
4	17853-25L00	HOSE,WATER BYPASS	1	
5	17855-25L00	BRACKET,HOSE CLAMP	1	
6	17856-25L00	CLAMP,RDTR INLET HOSE	1	
7	17860-25L00	CONNECTOR,WATER OUTLET	1	
8	17861-25L00	O-RING,WATER CONNECTOR	1	
9	09103-06525	BOLT (6X12)	1	
10	09135-06034	BOLT	1	
11	09168-06026	GASKET (6.4X11.5X0.84)	1	
12	09401-16407	CLIP (ID:16.5)	2	
13	09401-29001	CLAMP	4	
14	09403-20307	CLAMP	1	
15	07120-0620A	BOLT	2	
16	17855-25L00	BRACKET,HOSE CLAMP	1	
17	17910-25L00	TANK ASSY,RESERVOIR	1	
18	17931-25L00	.CAP,WATER RESERVOIR TANK	1	
19	17934-25L00	.PIPE,RSVR TANK CAP	2	
20	17935-25L00	.HOSE,RSVR TANK CAP	1	
21	17913-25L00	COVER,RESERVOIR TANK	1	
22	17981-25L00	HOSE,RSVR TANK INLET	1	
23	09103-06525	BOLT (6X12)	1	
24	09135-06034	BOLT	2	
25	09148-05038	NUT (M5)	2	
26	09352-50901-600	HOSE (5X9X600)	1	
27	09401-08411	CLIP (ID:8.6)	2	
28	09403-11330	CLAMP	1	
29	09403-17403	CLAMP	1	
30	03541-0512C	SCREW	2	
31	13650-49X00	SENSOR,TEMP	1	
32	09168-12017	GASKET (12X17X1)	1	

FIG.189A

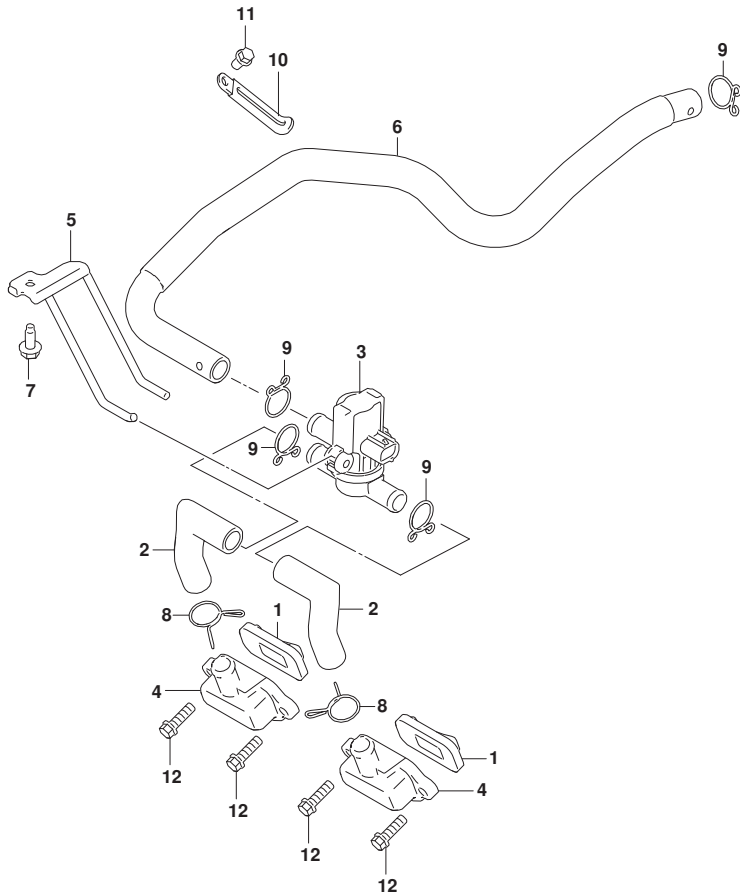


FIG.189A (1-C-10) 2ND AIR

REF NO.	PART NO.	DESCRIPTION	QTY	REMARKS
1	18450-28K00	VALVE ASSY,2ND AIR REED	2	
2	18461-25L00	HOSE,2ND AIR VALVE	2	
3	18510-29G31	VALVE ASSY,AIR CUT	1	
4	18531-25L00	COVER,2ND AIR REED VALVE	2	
5	18610-25L00	BRACKET,2ND AIR VALVE	1	
6	18710-25L00	HOSE,2ND AIR CLNR	1	
7	09135-06027	BOLT (6X16)	1	
8	09401-17201	CLIP	2	
9	09401-18101	CLIP	4	
10	09404-06043	CLAMP	1	
11	01547-0610A	BOLT	1	
12	01547-0620A	BOLT	4	



FIG.201A

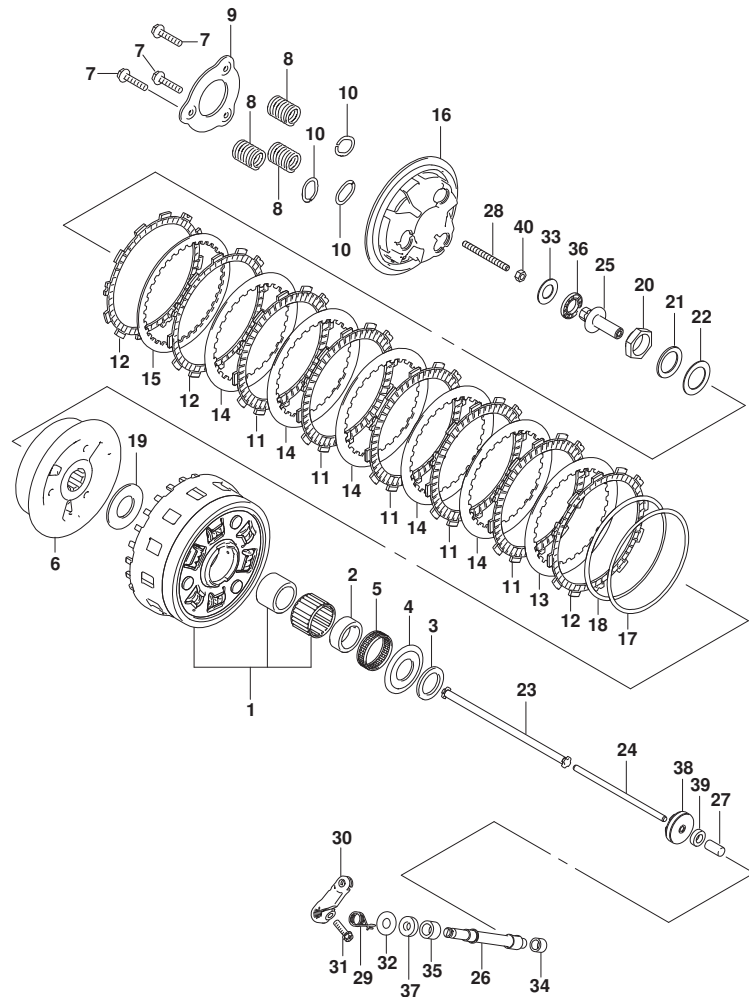


FIG.201A (1-C-11) CLUTCH

REF NO.	PART NO.	DESCRIPTION	Q'TY	REMARKS
1	21200-25810	GEAR ASSY,PRI DRIVEN (NT:62)	1	
2	21253-01H10	SPACER,OIL PUMP DRIVE SPROCKET	1	
3	09160-25036	WASHER (25X30X3)	1	
4	09160-25073	WASHER (25X54X2.4)	1	
5	09263-35045	BEARING (35X40X12)	1	OIL PUMP DR SPROCKET
6	21411-25L00	HUB,CLUTCH SLEEVE	1	
7	21412-31J00	BOLT,CLUTCH SPRING	3	
8	21413-25L00	SPRING,CLUTCH	3	
9	21414-25L00	PLATE,STOPPER	1	
10	21415-31J00	SEAT,CLUTCH SPRING	3	
11	21441-36F50	PLATE,CLUTCH DRIVE NO.1 (T:2.8	5	)
12	21442-41G20	PLATE,CLUTCH DRIVE NO.2 (T:2.8	3	)
13	21451-25L10	PLATE,CLUTCH DRIVEN NO.2 (T:1.6)	1	
14	21451-41G30	PLATE,CLUTCH DRIVEN (T:1.6)	5	
15	21452-25L00	PLATE,CLUTCH DRIVEN NO.3 (T:2.0)	1	
16	21462-25L00	DISC,CLUTCH PRESSURE	1	
17	21471-41G00	SEAT,WAVE WASHER	1	
18	21472-41G20	WASHER,CLUTCH PLATE WAVE	1	
19	09160-25056	WASHER (25X50X2.5)	1	
20	09159-24010	NUT	1	
21	09164-24008	WASHER (24.2X35X2.7)	1	
22	09181-25223	SHIM (25X38X1)	1	
23	23110-38B00	ROD,CLUTCH PUSH,R	1	
24	23111-25L00	ROD,CLUTCH PUSH,L	1	
25	23121-25L00	PIECE,CLUTCH PUSH	1	
26	23122-25L00	CAMSHAFT,CLUTCH RELEASE	1	
27	23123-41G00	CAP,CLUTCH PUSH ROD	1	
28	23124-25L00	SCREW,CLUTCH PUSH ROD	1	
29	23125-44G00	SPRING,CLUTCH RELEASE RETURN	1	
30	23271-41G00	ARM,CLUTCH RELEASE	1	
31	09103-06527	BOLT (6X20)	1	

FIG.201A

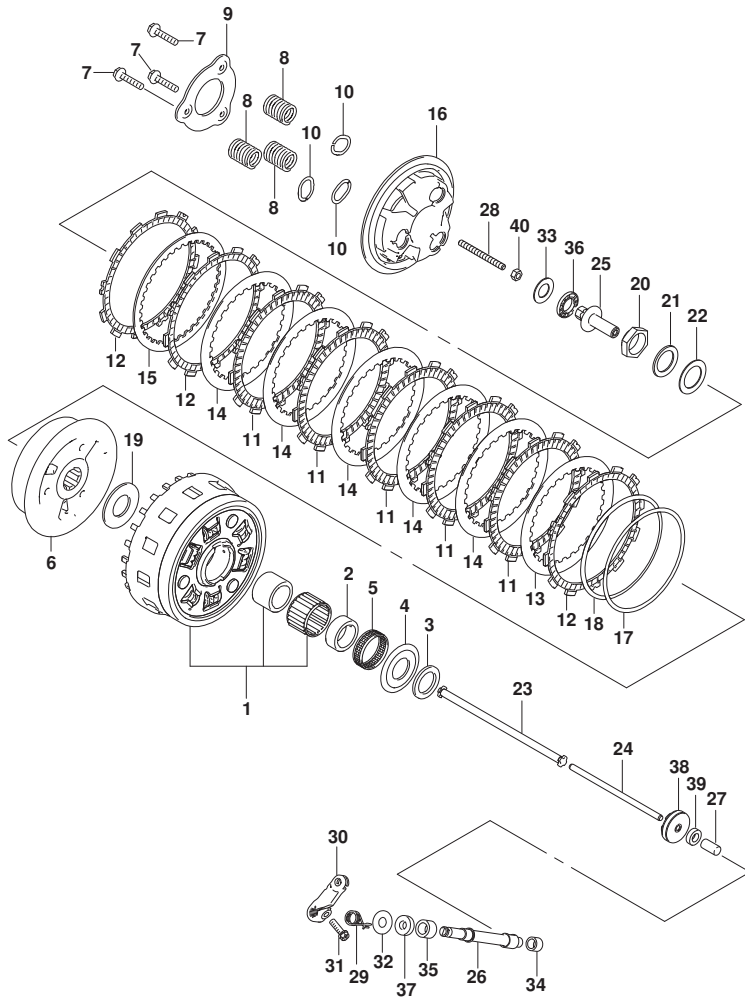
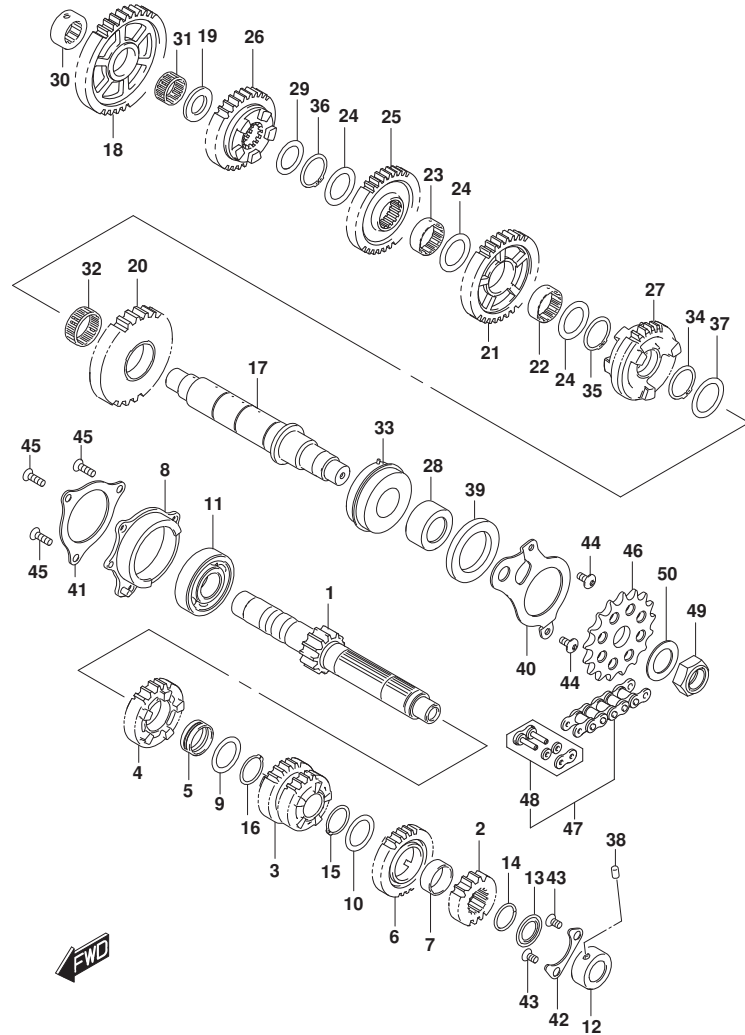


FIG.201A (1-C-12) CLUTCH

REF NO.	PART NO.	DESCRIPTION	Q'TY	REMARKS
32	09160-10020	WASHER (10.5X24X1.0)	1	
33	09160-15045	WASHER (15.5X28X1)	1	
34	09263-10014	BEARING (10X14X10)	1	
35	09263-12027	BEARING (12X18X12)	1	
36	09263-15003	BEARING (15X28X2)	1	
37	09282-10012	SEAL,OIL (10X20X6)	1	
38	09283-06013	SEAL,OIL	1	
39	09285-10004	SEAL,OIL (10X17X5)	1	
40	08310-0006A	NUT	1	



FIG.206A



DL800DERCM4\_E01\_206A  
TRANSMISSION

FIG.206A (1-C-13) TRANSMISSION

REF NO.	PART NO.	DESCRIPTION	Q'TY	REMARKS
1	24120-25L00	SHAFT,CNTR (NT:14)	1	
2	24221-25L00	GEAR,2ND DRIVE (NT:15)	1	
3	24231-25L00	GEAR,3RD & 4TH DRIVE (NT:20/24 )	1	
4	24251-25L00	GEAR,5TH DRIVE (NT:26)	1	
5	24252-35F00	BUSH,5TH DRIVE GEAR	1	
6	24261-25L00	GEAR,6TH DRIVE (NT:28)	1	
7	24262-35F10	BUSH,6TH DRIVE GEAR	1	
8	24770-18H10	HOUSING,CNTR SHAFT BRG,R	1	
9	09160-27008	WASHER (27X36X1.0)	1	
10	09167-27001	WASHER,LOCK (27X36X1)	1	
11	09262-25073	BEARING (25X62X17)	1	
12	09263-20123	BEARING	1	
13	09285-20006	SEAL,OIL (20X31.2X2.7)	1	
14	09380-27004	CIRCLIP	1	
15	09380-27006	CIRCLIP	1	
16	09380-27006	CIRCLIP	1	
17	24131-25L00	SHAFT,DRIVE	1	
18	24311-25L00	GEAR,1ST DRIVEN (NT:43)	1	
19	24315-25L00	SPACER,1ST DRIVEN GEAR,R	1	
20	24321-25L00	GEAR,2ND DRIVEN (NT:33)	1	
21	24331-25L00	GEAR,3RD DRIVEN (NT:34)	1	
22	24332-24F20	BUSH,3RD DRIVEN GEAR	1	
23	24332-24F20	BUSH,3RD DRIVEN GEAR	1	
24	24333-47H00	WASHER,3RD & 4TH DRIVEN GEAR	3	
25	24341-25L00	GEAR,4TH DRIVEN (NT:34)	1	
26	24351-25L00	GEAR,5TH DRIVEN (NT:32)	1	
27	24361-25L00	GEAR,6TH DRIVEN (NT:31)	1	
28	27531-25L00	SPACER,ENGINE SPROCKET	1	
29	09181-24005	SHIM (24X34X1)	1	
30	09263-20087	BEARING (20X34X13.5)	1	
31	09263-24030	BEARING (24X28X13)	1	
32	09263-30018	BEARING (30X35X12.8)	1	
33	09267-30011	BEARING (30X62X23.8)	1	
34	09380-30009	CIRCLIP	1	

DL800DERCM4\_E01

FIG.206A

FIG.206A (1-C-14) TRANSMISSION

REF NO.	PART NO.	DESCRIPTION	Q'TY	REMARKS
35	09380-30009	CIRCLIP	1	
36	09380-30009	CIRCLIP	1	
37	09181-30167	SHIM (30X40X1)	1	
38	09261-06003	PIN (6X10)	1	
39	09283-42018	SEAL,OIL (42X62X7)	1	
40	24741-25L00	RETAINER,CL PUSH ROD OIL SEAL	1	
41	24751-18H00	RETAINER,CNTR SHAFT BEARING,R	1	
42	24751-25L00	RETAINER,COUNTER SHAFT BRG.L	1	
43	09126-06011	SCREW (6X12)	2	
44	09139-06153	SCREW (6X13)	2	
45	09139-06159	SCREW (6X20)	3	
46	27511-20A21	SPROCKET,ENGINE (NT:17)	1	
47	27600-17K00-126	CHAIN ASSY,DRIVE	1	
48	27620-17K00	.JOINT SET (DID525HV3)	1	
49	09159-20004	NUT	1	
50	09181-25268	SHIM (25X40X1.5)	1	

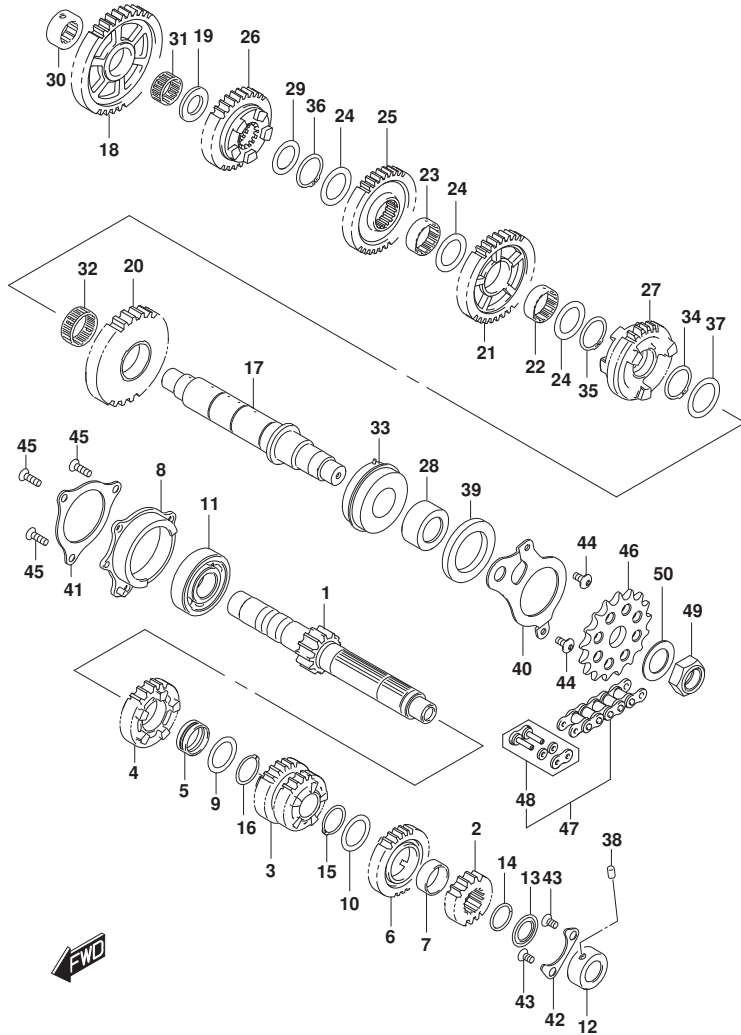


FIG.212A

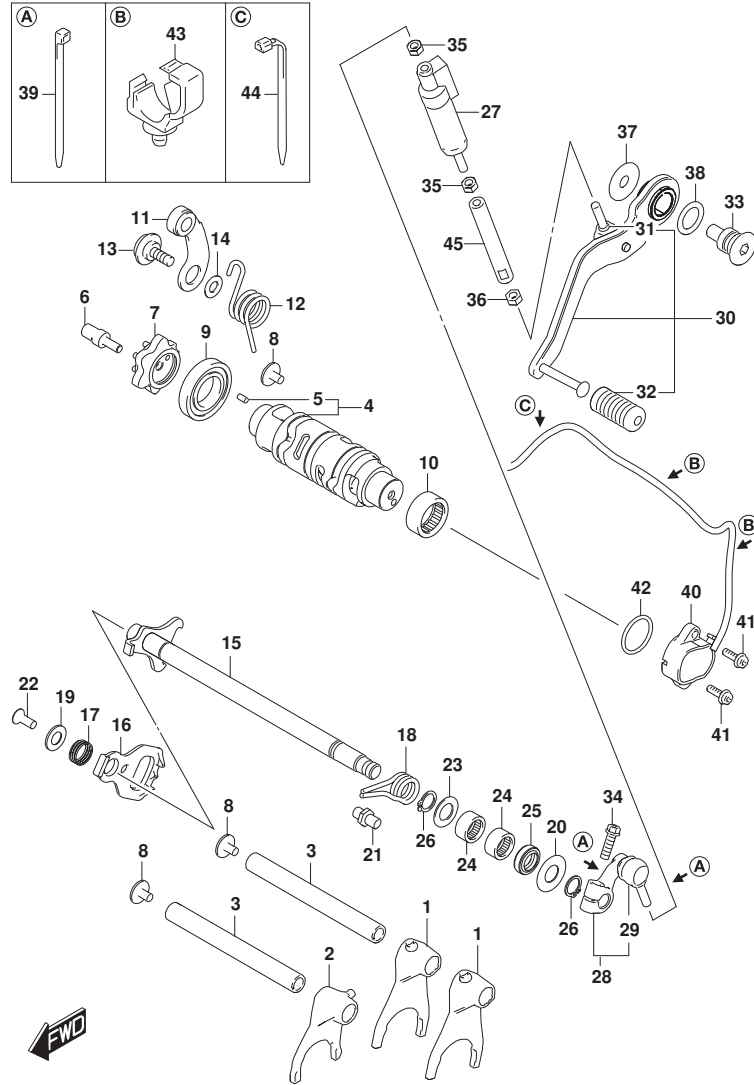


FIG.212A (1-C-15) GEAR SHIFTING

REF NO.	PART NO.	DESCRIPTION	Q'TY	REMARKS
1	25211-01H11	FORK,GEAR SHIFT NO.1	2	
2	25231-25L00	FORK,GEAR SHIFT NO.3	1	
3	25411-24F00	SHAFT,SHIFT FORK NO.2 (L:132)	2	
4	25310-25L00	CAM,GEAR SHIFT	1	
5	04221-04089	.PIN (4X13.8)	1	
6	25312-17K00	BOLT,GEAR SHIFT CAM PLATE	1	
7	25381-17K00	PLATE,GEAR SHIFT CAM	1	
8	09136-06147	SCREW (6X12)	3	
9	09262-25006	BEARING (25X47X8)	1	
10	09263-25018	BEARING (25X32X12)	1	
11	25350-06G00	STOPPER,SHIFT CAM	1	
12	25355-18H00	SPRING,GEAR SHIFT CAM STOPPER	1	
13	09111-06041	BOLT (6X14.3)	1	
14	08211-06141	WASHER	1	
15	25510-25L00	SHAFT,GEAR SHIFT	1	
16	25512-06G20	PLATE,GEAR SHIFT CAM DRIVE	1	
17	25518-01H00	SPRING,GEAR SHIFT PLATE RETURN	1	
18	25518-06L00	SPRING,GEAR SHIFT SHAFT RETURN	1	
19	25519-01H00	WASHER,GEAR SHIFT SHAFT END	1	
20	25519-25L00	WASHER,GEAR SHIFT SHAFT,L	1	
21	25671-01011	STOPPER,GEAR SHIFT ARM	1	
22	09126-06014	SCREW (6X16)	1	
23	09181-14195	SHIM (14X24X1)	1	
24	09263-14027	BEARING (14X20X12)	2	
25	09283-14005	SEAL,OIL (14X22X7.3)	1	
26	08331-3114A	CIRCLIP	2	
27	25500-25L00	SENSOR ASSY,GEAR SHIFT	1	
28	25520-25L10	ARM,GEAR SHIFT LINK	1	
29	25526-01H00	.DUST COVER	1	
30	25600-25L10	LEVER ASSY,GEAR SHIFT	1	
31	25526-01H00	.DUST COVER	1	
32	25652-20C00	.RUBBER,GEAR SHIFT PEDAL	1	
33	25617-18H00	BOLT,GEAR SHIFT LEVER	1	
34	09103-06527	BOLT (6X20)	1	
35	09140-06020	NUT	2	

FIG.212A

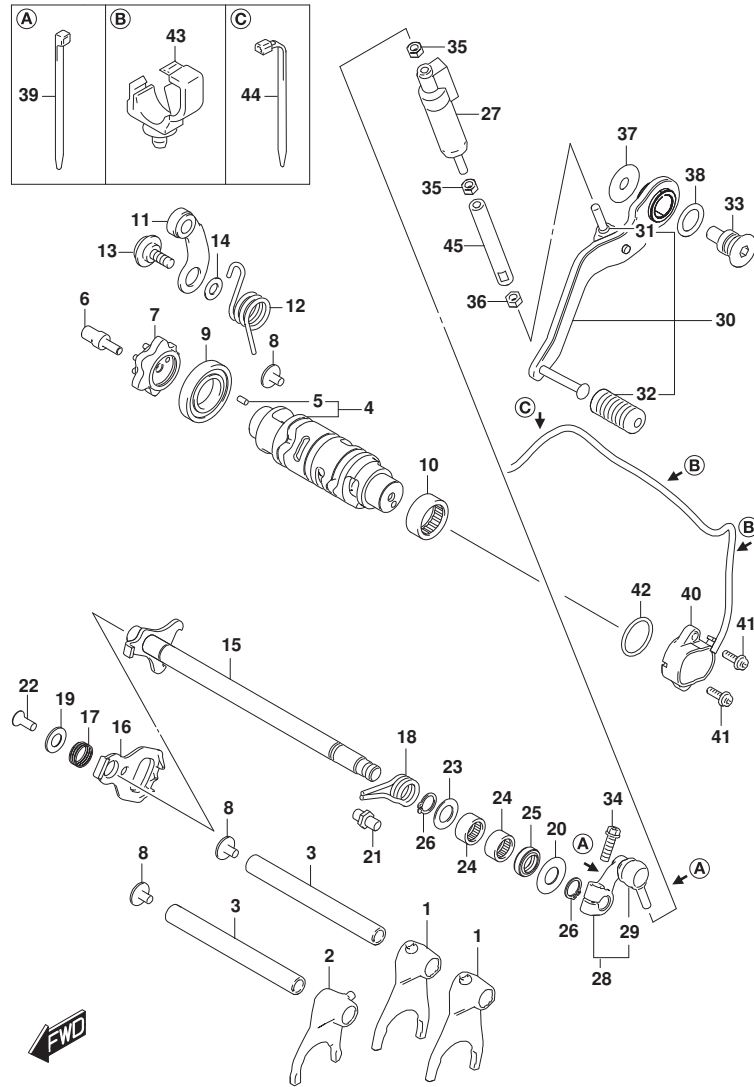


FIG.212A (1-C-16) GEAR SHIFTING

REF NO.	PART NO.	DESCRIPTION	Q'TY	REMARKS
36	09140-06025	NUT	1	
37	09160-10047	WASHER (10X30X1.0)	1	
38	09160-18037	WASHER (18X26X1)	1	
39	09407-14407	CLAMP (L:145)	2	
40	37730-48K10	SENSOR ASSY,GEAR POSITION	1	
41	09106-05023	BOLT (5X16)	2	
42	09280-26005	O-RING (D:2.4, ID:26.2)	1	
43	09403-20311	CLAMP	2	
44	09407-14403	CLAMP (L:125)	1	
45	25525-25L10	ROD,GEAR SHIFT LINK	1	

FIG.301A

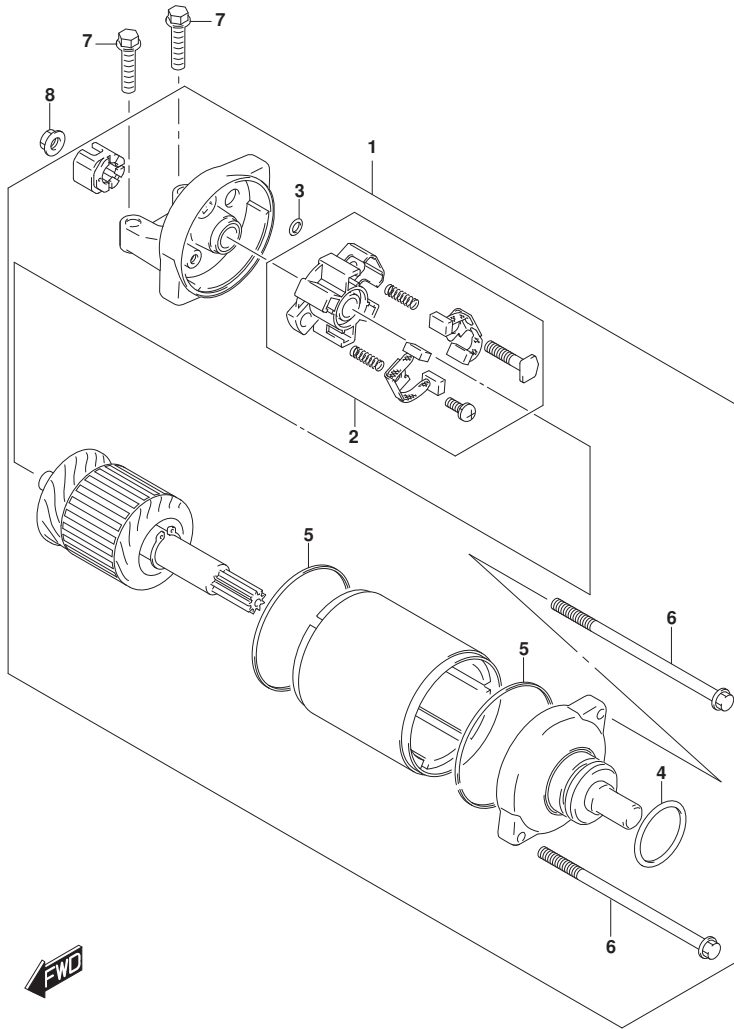


FIG.301A (1-D-2) STARTING MOTOR

REF NO.	PART NO.	DESCRIPTION	Q'TY	REMARKS
1	31100-25L00	MOTOR ASSY,STARTING	1	
2	31132-18H00	.BRUSH HOLDER SET	1	
3	31143-49040	.O-RING	1	
4	31156-98E00	.O-RING (D:3.1,ID:24.4)	1	
5	31264-38F10	.SQUARE RING	2	
6	31280-19F10	.BOLT SET	2	
7	01547-0625A	BOLT	2	
8	08361-3506A	NUT	1	

FIG.303A

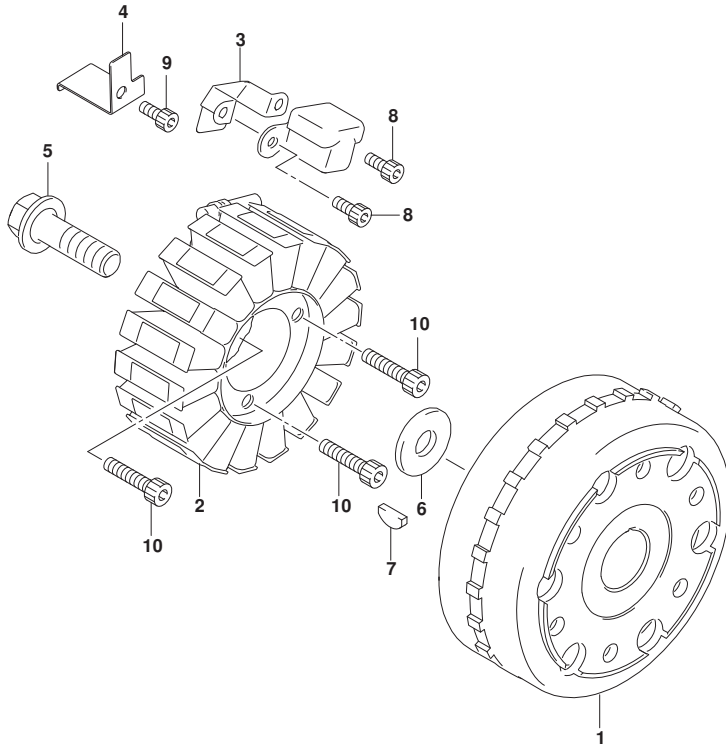


FIG.303A (1-D-3) MAGNETO

REF NO.	PART NO.	DESCRIPTION	Q'TY	REMARKS
1	32102-25L00	ROTOR ASSY,MAGNETO	1	
2	32101-25L00	STATOR ASSY,MAGNETO	1	
3	32155-25L00	CLAMP,PULSER COIL LEAD	1	
4	32371-25L00	CLAMP,MAGNETO LEAD	1	
5	09103-12146	BOLT	1	
6	09160-12036	WASHER (12X30X3.0)	1	
7	09420-04008	KEY (B:4,D:16,H6.5)	1	
8	07130-0512A	BOLT	2	
9	07130-0512A	BOLT	1	
10	07130-0635A	BOLT	3	

FIG.310A

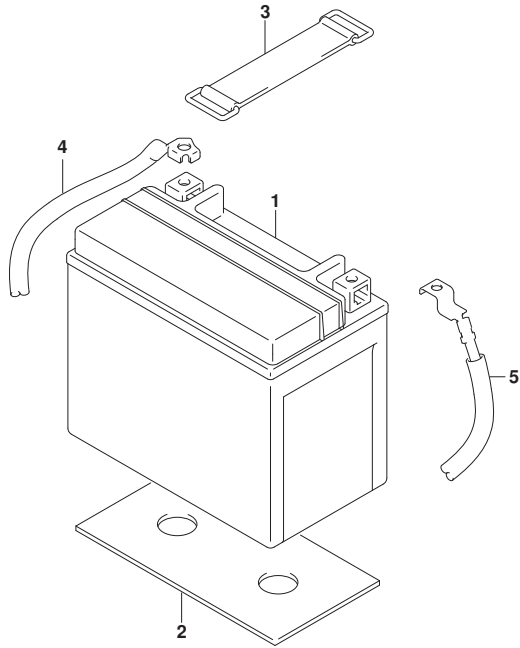


FIG.310A (1-D-4) BATTERY

REF NO.	PART NO.	DESCRIPTION	Q'TY	REMARKS
1	33630-33E01	BATTERY ASSY (FTX9-BS,12V8AH)	1	
2	63113-15H10	CUSHION,BATTERY	1	
3	09462-00034	BAND	1	
4	33810-25LA0	WIRE,STARTER MOTOR LEAD	1	
5	33820-25LA0	WIRE,BATTERY PLUS LEAD	1	



FIG.311A

**FIG.311A (1-D-5) STARTOR RELAY**

REF NO.	PART NO.	DESCRIPTION	Q'TY	REMARKS
1	31800-06G02	RELAY ASSY, STARTING MOTOR	1	
2	09481-30101	.FUSE (30A)	2	
3	31861-47E00	.COVER	1	
4	09128-06013	SCREW (6X8)	2	

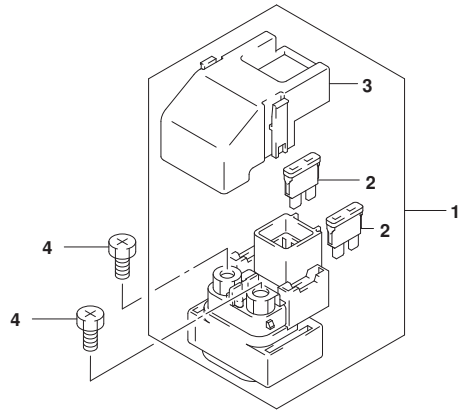




FIG.313A

FIG.313A (1-D-6) RECTIFIER

REF NO.	PART NO.	DESCRIPTION	Q'TY	REMARKS
1	32800-26J10	RECTIFIER ASSY	1	
2	09169-06032	WASHER	2	
3	01550-0625A	BOLT (6X25)	2	
4	08316-1006A	NUT (6X12)	2	

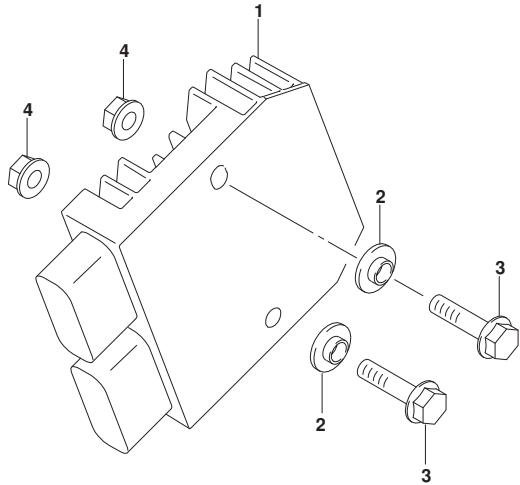


FIG.316A



**FIG.316A (1-D-7) IGNITION COIL**

REF NO.	PART NO.	DESCRIPTION	Q'TY	REMARKS
1	33410-38H10	COIL ASSY,IGNITION	2	

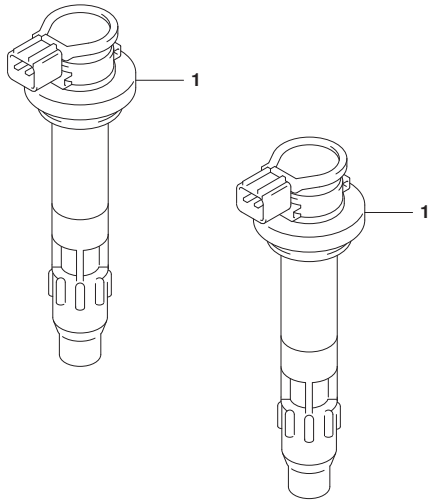


FIG.322A

FIG.322A (1-D-8) ELECTRIC POWER CONTROL UNIT

REF NO.	PART NO.	DESCRIPTION	Q'TY	REMARKS
1	32910-06L00	ECM,BLANK	1	
2	33651-37000	PROTECTOR (170X95X3.0)	2	
3	33652-39000	PROTECTOR,BATTERY (30X25X3)	1	
4	33960-25H01	SENSOR ASSY,FUEL CUT	1	

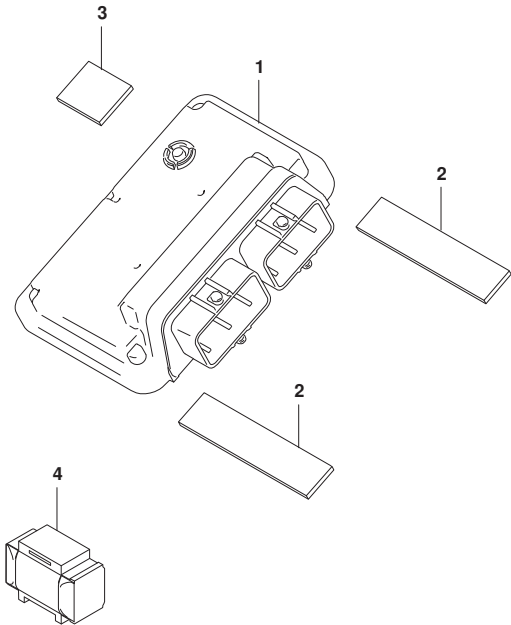


FIG.330A



FIG.330A (1-D-9) SPEEDOMETER

REF NO.	PART NO.	DESCRIPTION	Q'TY	REMARKS
1	34100-25LA1	SPEEDOMETER ASSY	1	
2	34187-48K01	SPACER,SPEEDOMETER	4	
3	34955-10L10	CUSHION,SPEEDOMETER	4	
4	09116-05030	BOLT	4	
5	#95643-58J00	SENSOR,AIR TEMP	1	

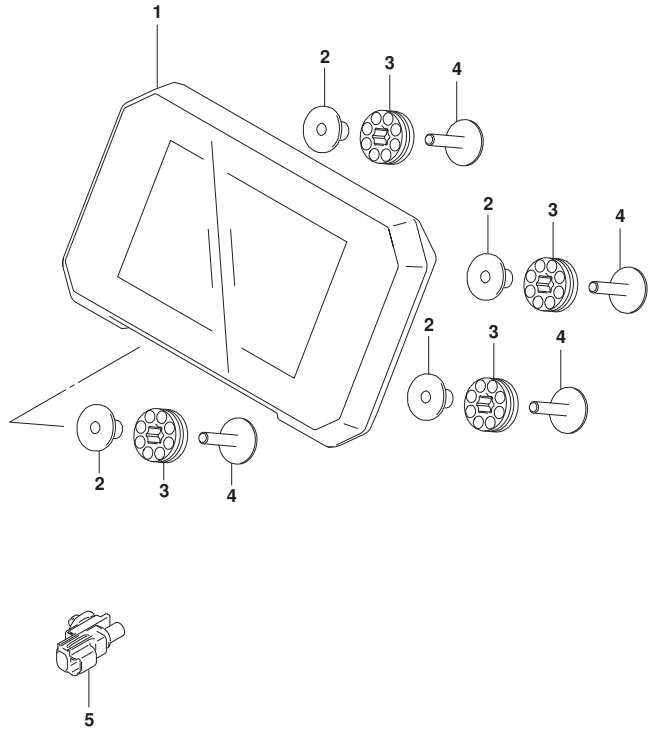


FIG.333A

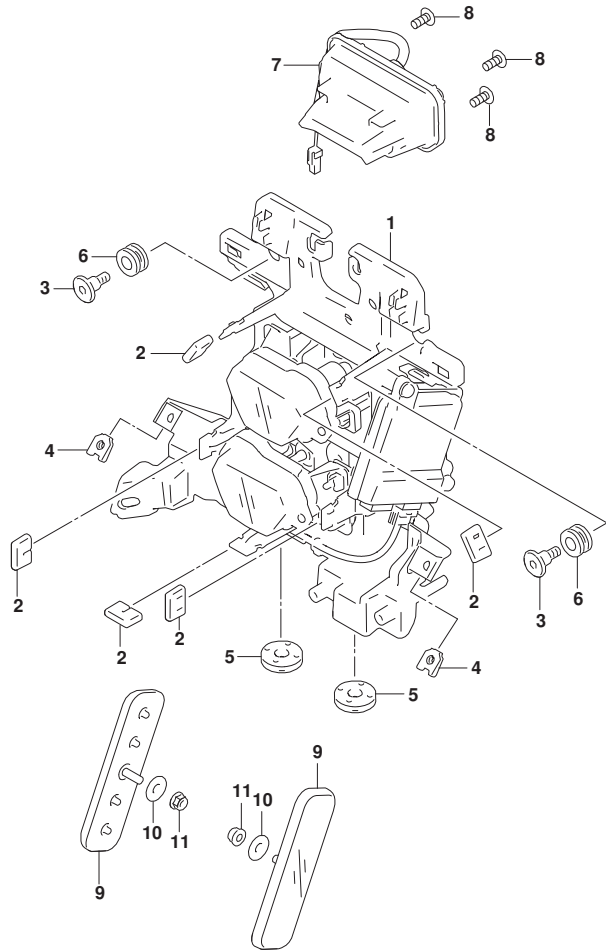


FIG.333A (1-D-10) HEADLAMP

REF NO.	PART NO.	DESCRIPTION	Q'TY	REMARKS
1	35100-25L00	HEADLAMP ASSY	1	
2	35781-17K00	CUSHION	4	
3	09139-06206	SCREW (6X20)	2	
4	09148-05045	NUT (M5)	2	
5	09320-08028	CUSHION (8X26X7)	2	
6	09320-09501	CUSHION (9X18X10)	2	
7	36110-48K00	LAMP ASSY,FRONT POSITION	1	
8	03541-0512A	SCREW	3	
9	35950-25L00	REFLEX REFLECTOR,FR SIDE	2	
10	09169-06076	WASHER	2	
11	08319-3105A	NUT	2	

FIG.334A

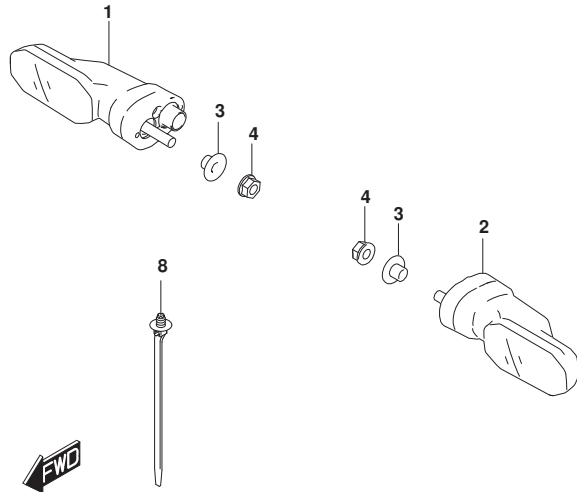
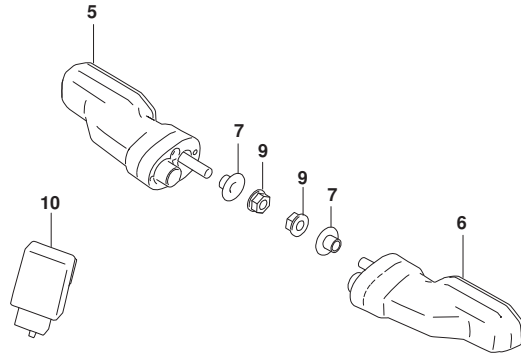


FIG.334A (1-D-11) TURNSIGNAL LAMP

REF NO.	PART NO.	DESCRIPTION	Q'TY	REMARKS
1	35601-48KA1	LAMP ASSY,FRONT TURNSIGNAL,R	1	
2	35602-48KA1	LAMP ASSY,FRONT TURNSIGNAL,L	1	
3	09169-06100	WASHER	2	
4	08316-1006A	NUT (6X12)	2	
5	35603-48KC0	LAMP ASSY,REAR TURNSIGNAL,R	1	
6	35604-48KC0	LAMP ASSY,REAR TURNSIGNAL,L	1	
7	09169-06100	WASHER	2	
8	09407-11402	CLAMP (L:90)	1	
9	08316-1006A	NUT (6X12)	2	
10	38610-06L00	RELAY ASSY,TURNSIGNAL	1	

FIG.339A

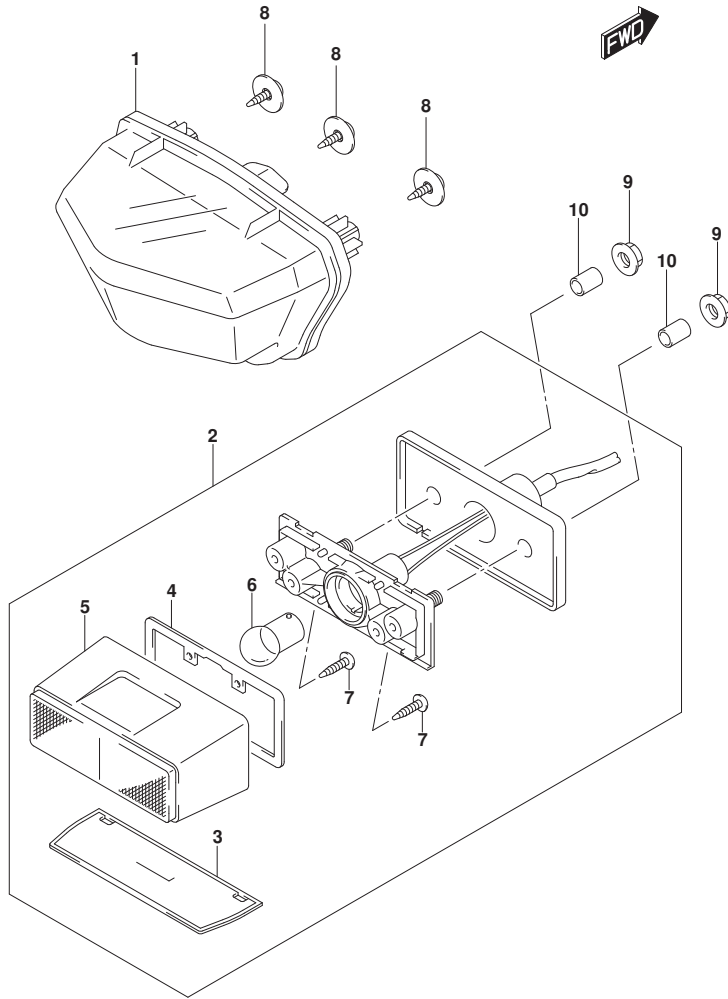


FIG.339A (1-D-12) REAR COMBINATION LAMP

REF NO.	PART NO.	DESCRIPTION	Q'TY	REMARKS
1	35710-31JA0	LAMP ASSY,REAR COMB	1	
2	35910-41G20	LAMP ASSY,LICENSE	1	
3	35912-41G01	.LENS,LICENSE LAMP	1	
4	35913-41G00	.GASKET	1	
5	35917-41G00	.COVER,LICENSE LAMP	1	
6	09471-12140	.BULB (12V5W)	1	
7	03211-0416A	.SCREW	2	
8	09136-05062	SCREW (5X15)	3	
9	09159-06096	NUT (M6)	2	
10	09180-06261	SPACER (6.5X9X8)	2	

FIG.350A

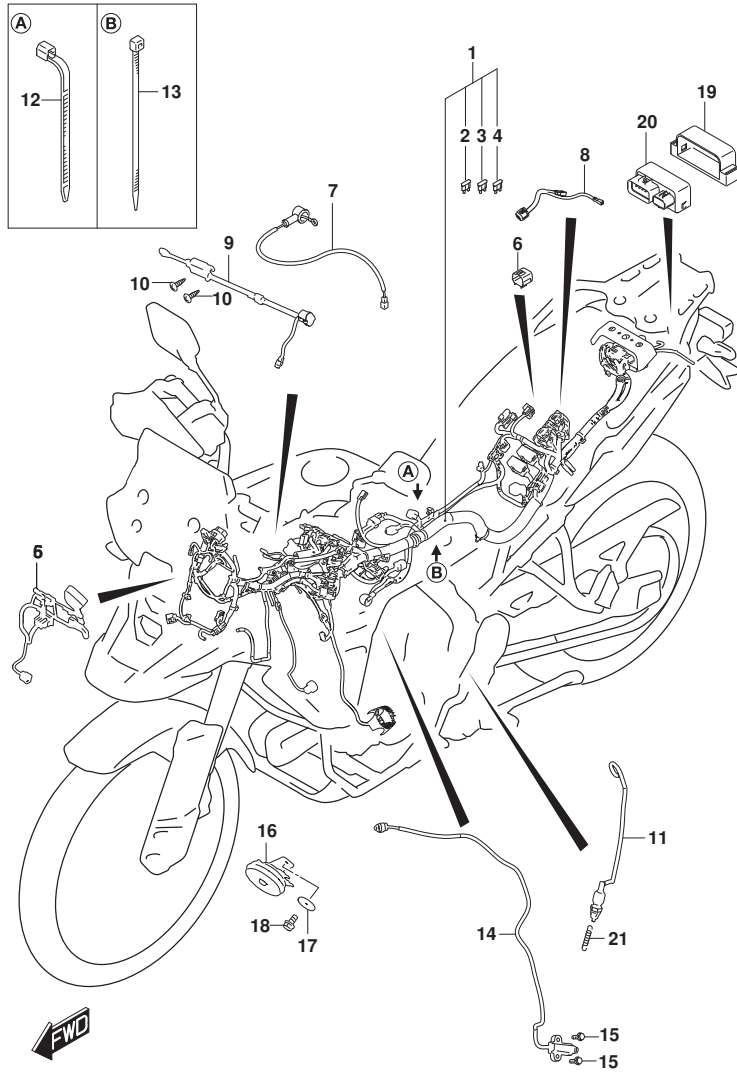


FIG.350A (1-D-13) WIRING HARNESS

REF NO.	PART NO.	DESCRIPTION	Q'TY	REMARKS
1	36610-25LA0	HARNESS,WIRING NO.1	1	
2	09481-10501	.FUSE (10A)	7	
3	09481-15501	.FUSE (15A)	4	
4	09481-20501	.FUSE (20A)	2	
5	36620-25LA0	HARNESS,WIRING NO.2	1	
6	36654-28K00	CAP,OBD CONNECTOR	1	
7	36851-25L00	WIRE,OIL PRESSURE SW LEAD	1	
8	36853-48KA0	WIRE,REAR COMB LAMP LEAD	1	
9	39105-25L00	SOCKET,USB	1	
10	03541-0412A	SCREW	2	
11	37740-25L00	SWITCH ASSY,STOP LAMP	1	
12	09407-10403	CLAMP (L:95)	2	
13	09407-14407	CLAMP (L:145)	1	
14	37840-25L00	SWITCH ASSY,SIDE STAND	1	
15	01550-0620B	BOLT	2	
16	38500-48H31	HORN ASSY	1	
17	09160-08159	WASHER (8.5X30X2.3)	1	
18	01550-0816B	BOLT	1	
19	36744-06L00	HOLDER,RELAY	1	
20	38860-06L00	RELAY ASSY	1	
21	09443-06054	SPRING	1	



FIG.352A

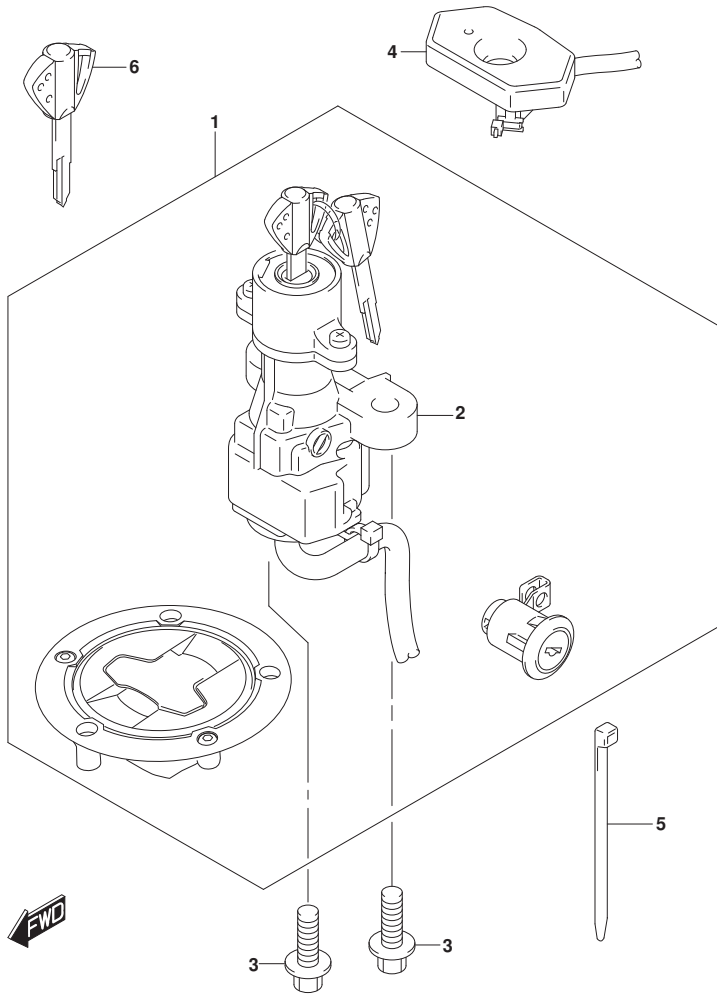


FIG.352A (1-D-14) LOCK SET

REF NO.	PART NO.	DESCRIPTION	Q'TY	REMARKS
1	37101-25831	LOCK SET	1	
2	37100-25L01	.LOCK ASSY,STEERING	1	
3	37152-17K00	BOLT,STEERING LOCK (8X20)	2	
4	37180-25L00	ANTENNA ASSY,IMMOBILIZER	1	
5	09407-14407	CLAMP (L:145)	2	
6	37146-13K00	KEY,BLANK	1	OPT

FIG.355A

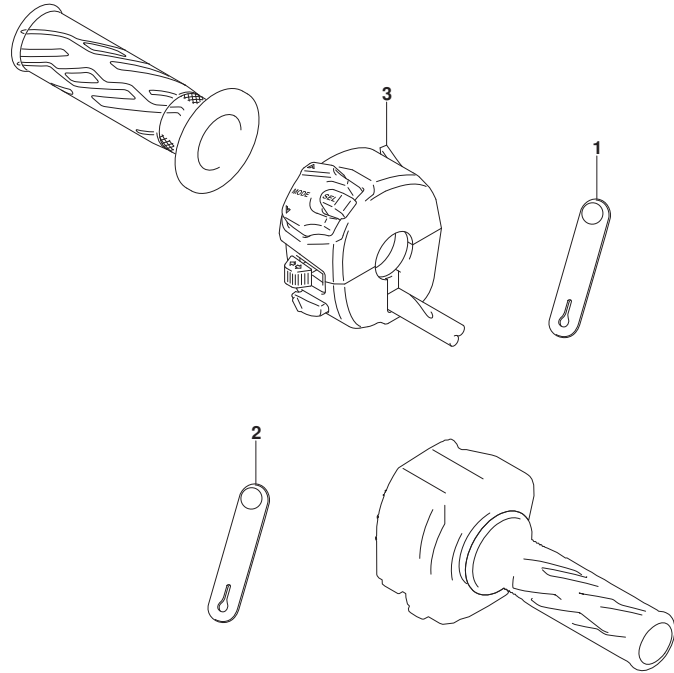


FIG.355A (1-D-15) HANDLE SWITCH

REF NO.	PART NO.	DESCRIPTION	Q'TY	REMARKS
1	36990-06L00	CLAMP,HANDLE SWITCH (L:145)	1	
2	36990-06L00	CLAMP,HANDLE SWITCH (L:145)	1	
3	37400-25L10	SWITCH ASSY,HANDLE,L	1	

FIG.401A

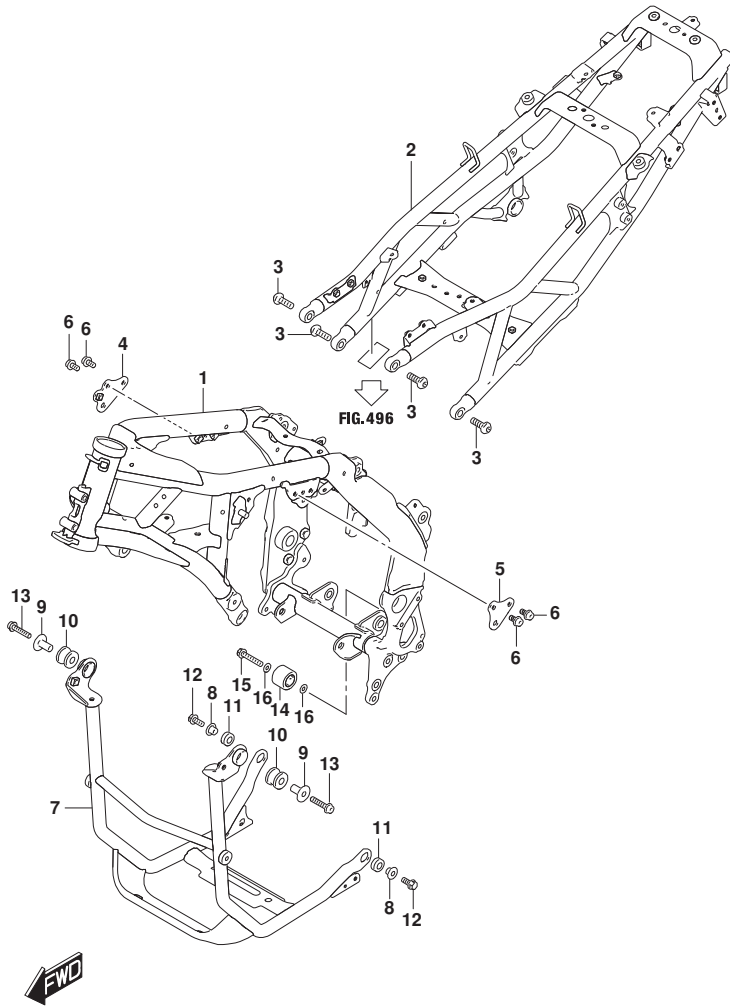


FIG.401A (1-D-16) FRAME

REF NO.	PART NO.	DESCRIPTION	Q'TY	REMARKS
1	41100-25LA0	FRAME	1	
2	41200-25LA0-YAP	RAIL,SEAT (BLACK)	1	
3	09106-10100	BOLT	4	
4	41920-25L00	PLATE,ENG MTG,R	1	
5	41922-25L00	PLATE,ENG MTG,L	1	
6	07120-0816B	BOLT	4	
7	41160-25LB0	BRACKET,UNDER COVER	1	
8	09169-08054	WASHER	2	
9	09180-08152	SPACER (8.6X12X24.2)	2	
10	09320-12048	CUSHION (12X30X24)	2	
11	09320-12068	CUSHION (12X22X9.5)	2	
12	01550-0820B	BOLT	2	
13	07120-0840B	BOLT	2	
14	43910-37F00	ROLLER,CHAIN	1	
15	09103-08207	BOLT (8X45)	1	
16	09181-08167	SHIM (8X16X1)	2	

FIG.406A

FIG.406A (1-E-2) HOLDER

REF NO.	PART NO.	DESCRIPTION	Q'TY	REMARKS
1	47414-25LA0	HOLDER,BATTERY	1	
2	44253-13K00	CUSHION,TANK COVER SIDE NO.4	1	
3	09111-06262	BOLT (6X13.5)	2	
4	47431-25LA0	HOLDER,ELECTRIC PARTS NO.1	1	
5	03541-0512A	SCREW	3	
6	47441-25LA0	HOLDER,ELECTRIC PARTS NO.2	1	
7	03541-0512A	SCREW	3	
8	94479-35F00	CLIP	1	

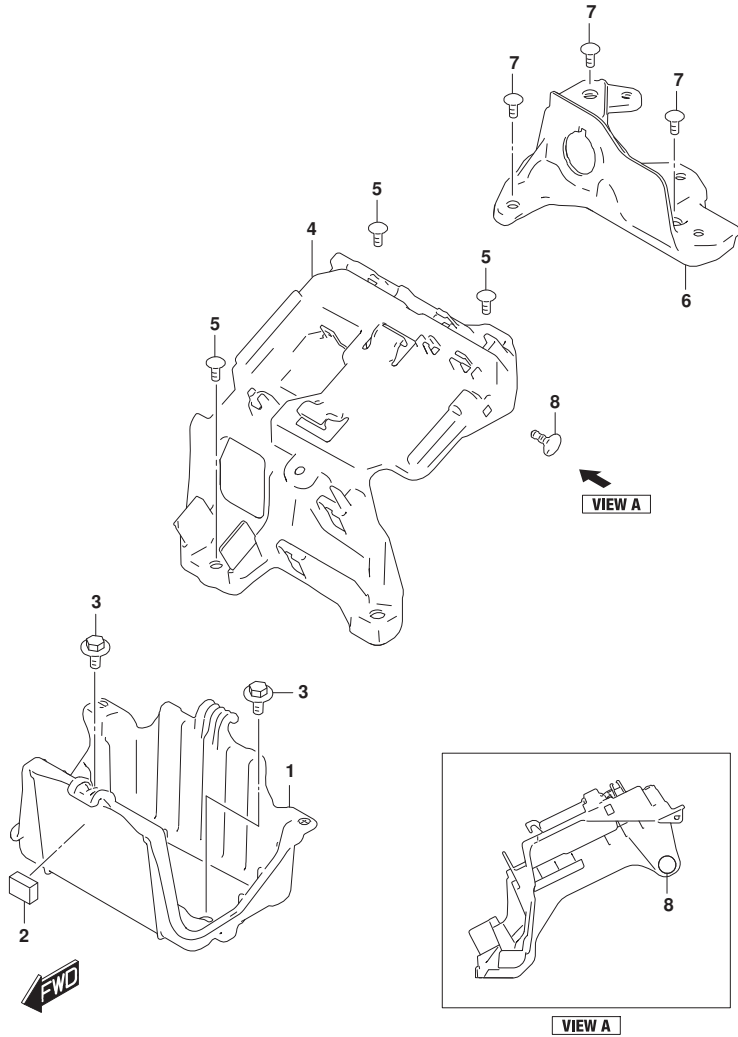


FIG.407A

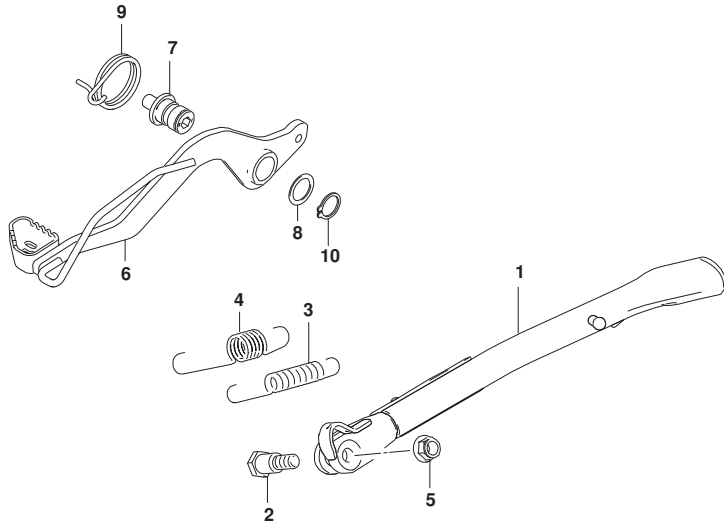


FIG.407A (1-E-3) STAND

REF NO.	PART NO.	DESCRIPTION	Q'TY	REMARKS
1	42310-25LB0	STAND,PROP	1	
2	09111-10059	BOLT (10X21)	1	
3	09443-14080	SPRING	1	
4	09443-20007	SPRING	1	
5	08319-3110A	NUT	1	
6	43110-25LA0	PEDAL,BRAKE	1	
7	43142-25L00	SHAFT,BRAKE PEDAL	1	
8	09160-18022	WASHER (18X24X1.0)	1	
9	09448-41006	SPRING	1	
10	08331-3118A	CIRCLIP	1	



FIG.412A

FIG.412A (1-E-4) CARRIER

REF NO.	PART NO.	DESCRIPTION	Q'TY	REMARKS
1	46311-25LA0	CARRIER,SPORT	1	
2	09103-08568	BOLT	4	
3	09169-08053	WASHER	4	

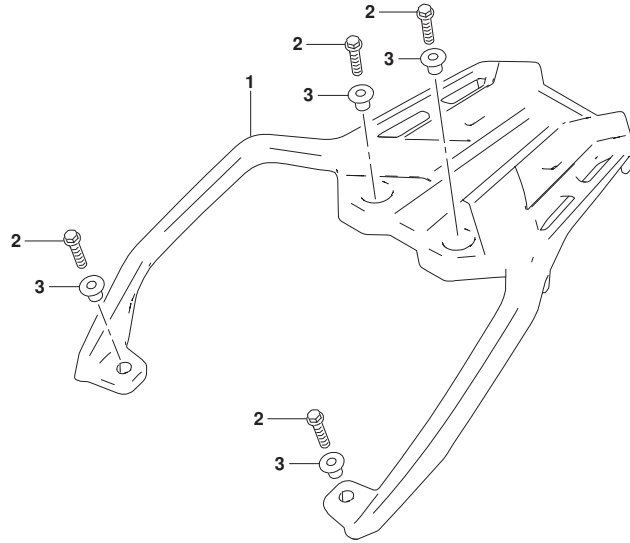


FIG.415A

FIG.415A (1-E-5) FOOTREST

REF NO.	PART NO.	DESCRIPTION	Q'TY	REMARKS
1	43501-25LA0	FOOTREST ASSY,FRONT,R	1	
2	43530-06L00	.BAR,FRONT FOOTREST RH	1	
3	43551-06L00	.RUBBER,FR FOOTREST	1	
4	43552-06L00	.PLATE,FR FOOTREST RUBBER	1	
5	43576-07D01	.BOLT,BANK SENSOR	1	
6	47512-28K00	.SPACER,FR FOOTREST RUBBER	2	
7	01550-0512A	.BOLT	2	
8	43502-25LA0	FOOTREST ASSY,FRONT,L	1	
9	43540-06L00	.BAR,FRONT FOOTREST LH	1	
10	43551-06L00	.RUBBER,FR FOOTREST	1	
11	43552-06L00	.PLATE,FR FOOTREST RUBBER	1	
12	43576-07D01	.BOLT,BANK SENSOR	1	
13	47512-28K00	.SPACER,FR FOOTREST RUBBER	2	
14	01550-0512A	.BOLT	2	
15	43510-25LB0	BRACKET,FR FOOTREST,R	1	
16	43520-25LB0	BRACKET,FR FOOTREST,L	1	
17	43571-25LB0	GUARD,FR FOOTREST,R	1	
18	43572-25LB0	GUARD,FR FOOTREST,L	1	
19	43580-25LB0	BRACKET,GUARD FOOTREST,R	1	
20	43590-25LB0	BRACKET,GUARD FOOTREST,L	1	
21	09103-10415	BOLT (10X25)	2	
22	09106-08167	BOLT (8X20)	3	
23	09106-08171	BOLT (8X12)	1	
24	09106-08206	BOLT	2	
25	09139-06221	SCREW (6X16)	4	
26	09208-08010	PIN (8X33.2)	2	
27	09448-20012	SPRING	2	
28	08332-1106B	E-RING	2	

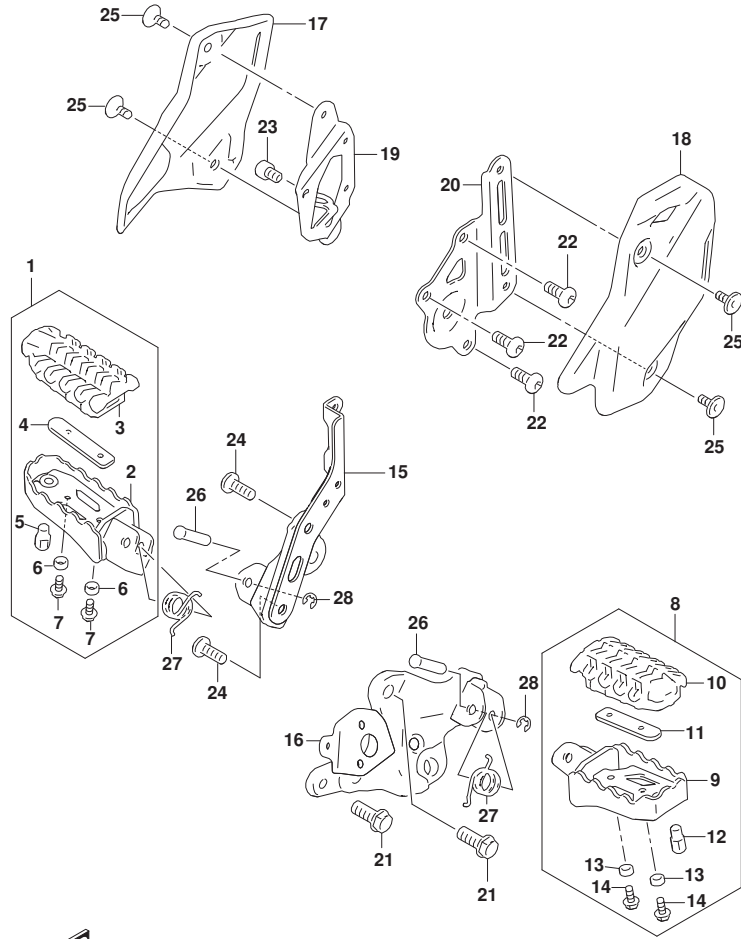


FIG.417A

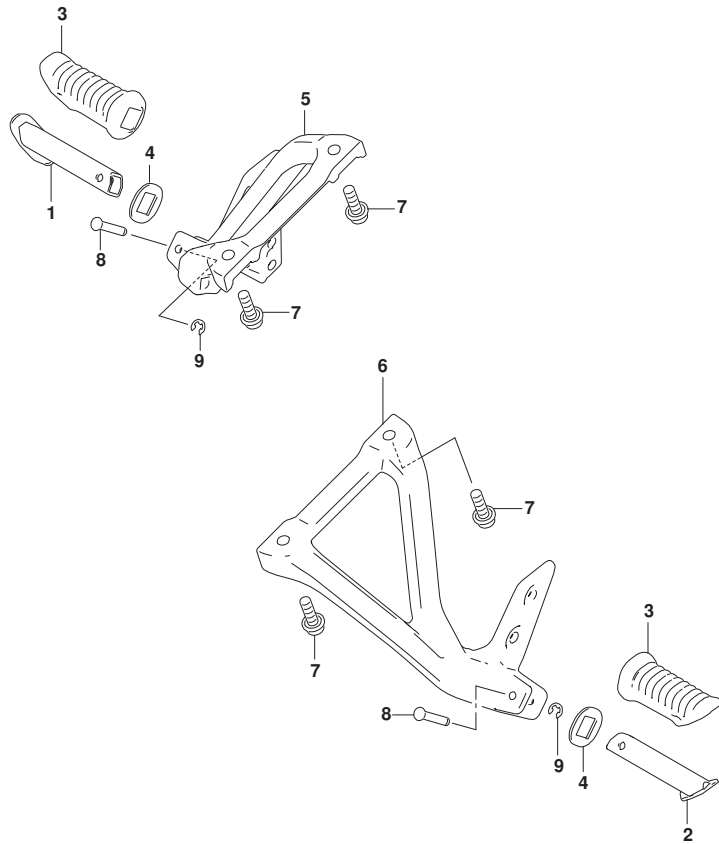


FIG.417A (1-E-6) PILLION FOOTREST

REF NO.	PART NO.	DESCRIPTION	Q'TY	REMARKS
1	43610-34A70	BAR,PILLION FOOTREST,R	1	
2	43710-34A70	BAR,PILLION FOOTREST,L	1	
3	43612-33G40	RUBBER,PILLION FOOTREST	2	
4	43631-34A01	WASHER,FOOTREST RUBBER	2	
5	43811-25LA0	BRACKET,PILLION FOOTREST,R	1	
6	43821-25LA0	BRACKET,PILLION FOOTREST,L	1	
7	09106-08151	BOLT (8X25)	4	
8	09208-06012	PIN	2	
9	08332-1104B	E-RING	2	





FIG.420A

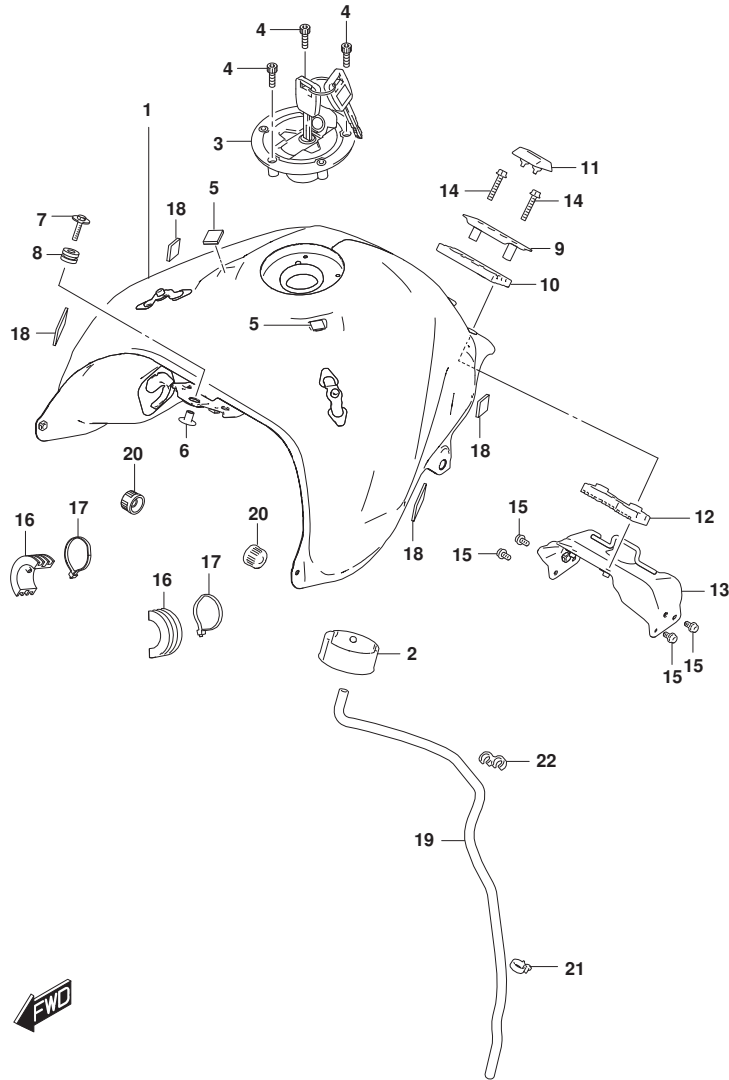


FIG.420A (1-E-7) FUEL TANK (SEE NOTE 1)

REF NO.	PART NO.	DESCRIPTION	Q'TY	REMARKS
1-1	44100-25LA0-YU1	TANK ASSY,FUEL (YELLOW)	1	BODY COLOR:YU1
1-2	44100-25LA0-QU2	TANK ASSY,FUEL (WHITE)	1	BODY COLOR:QU2
2	44121-07L00	VESSEL,FUEL TANK INNER	1	
3	44200-17840	CAP SET,FUEL TANK FILLER	1	
4	44244-11J00	BOLT,FUEL TANK FILLER CAP	3	
5	44572-44G00	FASTENER (20X15X2.6)	2	
6	44512-04K00	SPACER,FUEL TANK FRONT	1	
7	09116-06172	BOLT (6X30)	1	
8	09320-10050	CUSHION (10X22X13)	1	
9	44530-25LA0	BRACKET,FUEL TANK REAR UP	1	
10	44542-25LA0	CUSHION,FUEL TANK REAR UPPER	1	
11	44543-25LA0	CUSHION,FUEL TANK REAR BRKT	1	
12	44545-25LA0	CUSHION,FUEL TANK REAR LOWER	1	
13	44550-25LA0	BRACKET,FUEL TANK REAR	1	
14	01550-0635A	BOLT	2	
15	07120-0612A	BOLT	4	
16	44541-25L00	CUSHION,FUEL TANK SIDE	2	
17	09407-20405	CLAMP (L:202)	2	
18	44572-13G00	FASTENER (33X25X2.6)	4	
19	44423-25LA0	HOSE,FUEL TANK WATER DRAIN	1	
20	44542-25L00	CUSHION,FUEL TANK FRONT	2	
21	09403-16412	CLAMP	1	
22	09408-00043	CLAMP (ID:11.8X2)	1	

NOTE 1:  
FOR YU1,QU2

FIG.420B

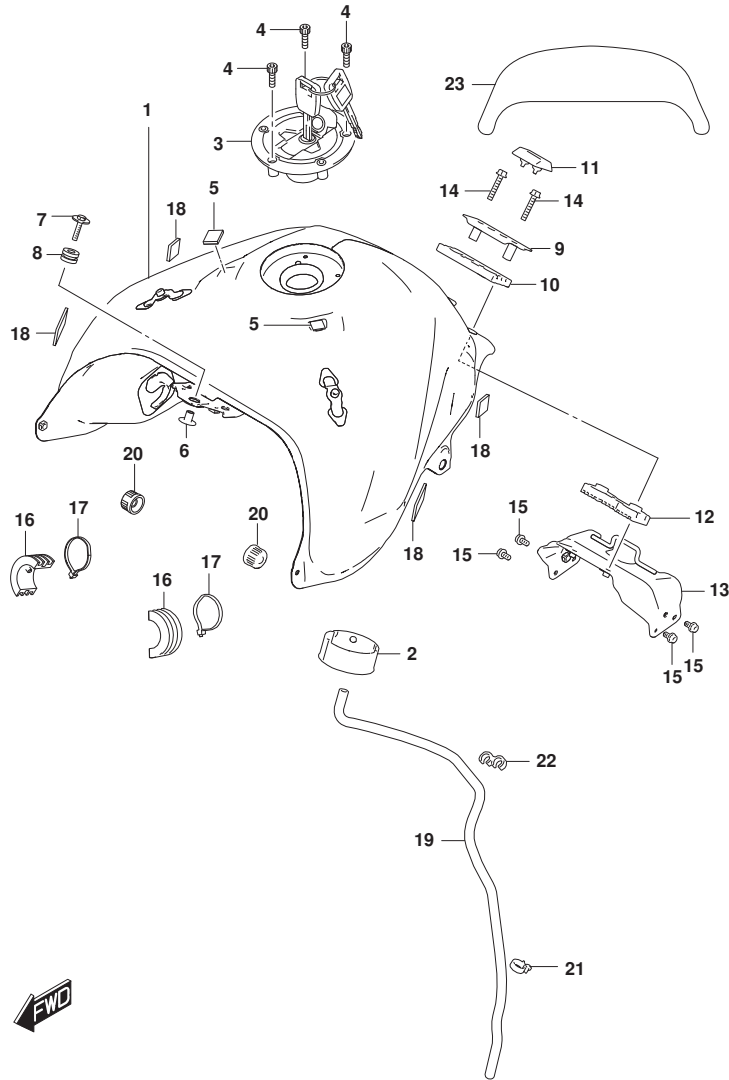


FIG.420B (1-E-8) FUEL TANK (SEE NOTE 1)

REF NO.	PART NO.	DESCRIPTION	Q'TY	REMARKS
1	44100-25LA0-QVP	TANK ASSY,FUEL (GREEN)	1	BODY COLOR:QVP
2	44121-07L00	VESSEL,FUEL TANK INNER	1	
3	44200-17840	CAP SET,FUEL TANK FILLER	1	
4	44244-11J00	BOLT,FUEL TANK FILLER CAP	3	
5	44572-44G00	FASTENER (20X15X2.6)	2	
6	44512-04K00	SPACER,FUEL TANK FRONT	1	
7	09116-06172	BOLT (6X30)	1	
8	09320-10050	CUSHION (10X22X13)	1	
9	44530-25LA0	BRACKET,FUEL TANK REAR UP	1	
10	44542-25LA0	CUSHION,FUEL TANK REAR UPPER	1	
11	44543-25LA0	CUSHION,FUEL TANK REAR BRKT	1	
12	44545-25LA0	CUSHION,FUEL TANK REAR LOWER	1	
13	44550-25LA0	BRACKET,FUEL TANK REAR	1	
14	01550-0635A	BOLT	2	
15	07120-0612A	BOLT	4	
16	44541-25L00	CUSHION,FUEL TANK SIDE	2	
17	09407-20405	CLAMP (L:202)	2	
18	44572-13G00	FASTENER (33X25X2.6)	4	
19	44423-25LA0	HOSE,FUEL TANK WATER DRAIN	1	
20	44542-25L00	CUSHION,FUEL TANK FRONT	2	
21	09403-16412	CLAMP	1	
22	09408-00043	CLAMP (ID:11.8X2)	1	
23	44285-25LA1	PROTECTOR,FUEL TANK	1	

NOTE 1:  
FOR QVP

FIG.423A

FIG.423A (1-E-9) FUEL TANK COVER

REF NO.	PART NO.	DESCRIPTION	Q'TY	REMARKS
1-1	44291-25LA0-YU1	COVER,FUEL TANK FRONT (YELLOW)	1	BODY COLOR:YU1
1-2	44291-25LA0-QU2	COVER,FUEL TANK FRONT (WHITE)	1	BODY COLOR:QU2
1-3	44291-25LA0-QVP	COVER,FUEL TANK FRONT (GREEN)	1	BODY COLOR:QVP
2	44292-25LA0	CUSHION,FUEL TANK COVER NO.1	4	
3	44293-25LA0	CUSHION,FUEL TANK COVER NO.2	2	
4	44294-43H20	CUSHION,FUEL TANK COVER NO.4	2	
5	44513-07L10	SCREW,FUEL TANK COVER	2	
6	44572-44G00	FASTENER (20X15X2.6)	2	
7	09409-06328	CLIP	2	

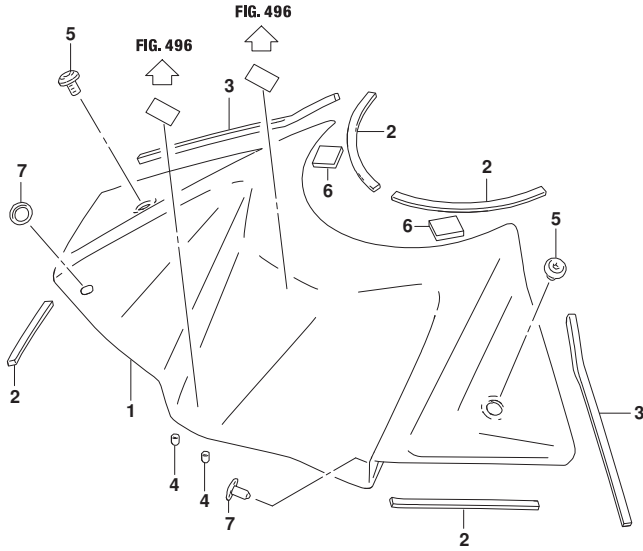


FIG.427B



FIG.427B (1-E-10) EVAP SYSTEM

REF NO.	PART NO.	DESCRIPTION	Q'TY	REMARKS
1	18114-74P00	VALVE,CANISTER PURGE	1	
2	18560-25L00	CANISTER ASSY, EVAP	1	
3	18565-25L00	COVER,CANISTER	1	
4	18568-25L00	CLIP, EVAP HOSE NO.1	1	
5	18572-25L00	CUSHION,CANISTER	1	
6	09401-10401	CLIP	2	
7	09401-11403	CLIP (ID:11)	3	
8	01547-0612A	BOLT	2	
9	18570-25L00	BRACKET,CANISTER	1	
10	08316-1006A	NUT (6X12)	1	
11	18561-25L00	HOSE,SURGE	1	
12	18562-25L00	HOSE,PURGE NO.1	1	
13	18563-25L00	HOSE,PURGE NO.2	1	

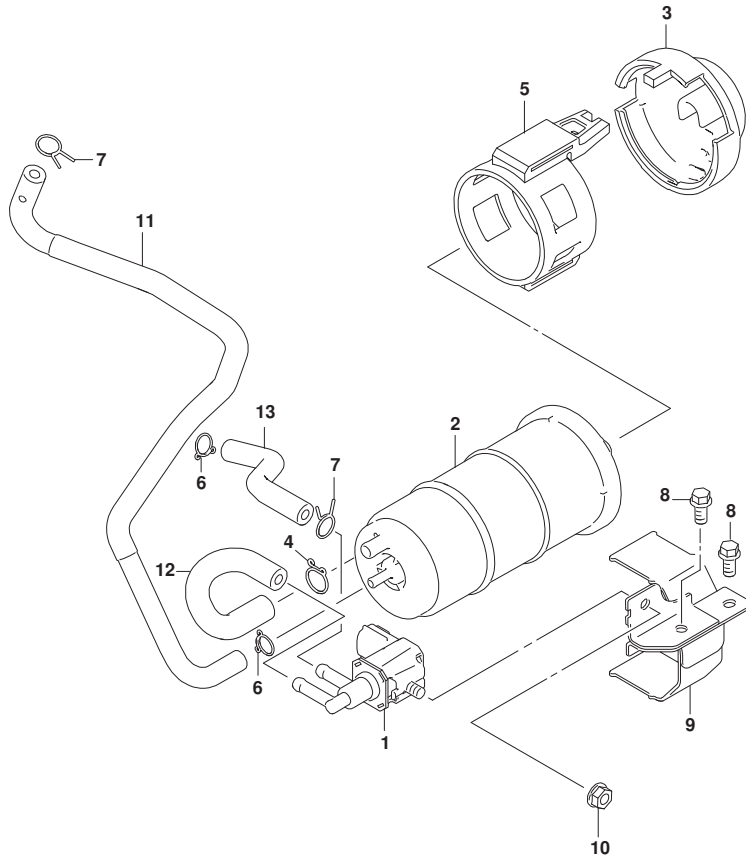


FIG.433A

FIG.433A (1-E-11) SIDE COVER

REF NO.	PART NO.	DESCRIPTION	Q'TY	REMARKS
1-1	94420-25L01-YU1	COVER,SIDE,R (YELLOW)	1	BODY COLOR:YU1
1-2	94420-25L01-QU2	COVER,SIDE,R (WHITE)	1	BODY COLOR:QU2
1-3	94420-25L01-QVP	COVER,SIDE,R (GREEN)	1	BODY COLOR:QVP
2-1	68111-47C10-YKV	.EMBLEM,"SUZUKI" (BLACK)	1	BODY COLOR:YU1,QU2
2-2	68111-47C10-YVB	.EMBLEM,SUZUKI (BLACK)	1	BODY COLOR:QVP
3-1	68271-25L00-CJ6	.EMBLEM,SIDE COVER,R	1	BODY COLOR:YU1
3-2	68271-25L00-CKD	.EMBLEM,SIDE COVER,R	1	BODY COLOR:QU2
3-3	68271-25L00-CKE	.EMBLEM,SIDE COVER,R	1	BODY COLOR:QVP
4-1	68275-25L00-CJ6	.TAPE,SIDE COVER,R	1	BODY COLOR:YU1
4-2	68275-25L00-CKD	.TAPE,SIDE COVER,R	1	BODY COLOR:QU2
4-3	68275-25L00-CKE	.TAPE,SIDE COVER,R	1	BODY COLOR:QVP
5-1	94430-25L01-YU1	COVER,SIDE,L (YELLOW)	1	BODY COLOR:YU1
5-2	94430-25L01-QU2	COVER,SIDE,L (WHITE)	1	BODY COLOR:QU2
5-3	94430-25L01-QVP	COVER,SIDE,L (GREEN)	1	BODY COLOR:QVP
6-1	68111-47C10-YKV	.EMBLEM,"SUZUKI" (BLACK)	1	BODY COLOR:YU1,QU2
6-2	68111-47C10-YVB	.EMBLEM,SUZUKI (BLACK)	1	BODY COLOR:QVP
7-1	68281-25L00-CJ6	.EMBLEM,SIDE COVER,L	1	BODY COLOR:YU1
7-2	68281-25L00-CKD	.EMBLEM,SIDE COVER,L	1	BODY COLOR:QU2
7-3	68281-25L00-CKE	.EMBLEM,SIDE COVER,L	1	BODY COLOR:QVP
8-1	68285-25L00-CJ6	.TAPE,SIDE COVER,L	1	BODY COLOR:YU1
8-2	68285-25L00-CKD	.TAPE,SIDE COVER,L	1	BODY COLOR:QU2
8-3	68285-25L00-CKE	.TAPE,SIDE COVER,L	1	BODY COLOR:QVP
9-1	94442-25LA0-Y2W	GARNISH,SIDE COVER,R (BLUE)	1	BODY COLOR:YU1,QU2
9-2	94442-25LA0-YU1	GARNISH,SIDE COVER,R (YELLOW)	1	BODY COLOR:QVP
10-1	94452-25LA0-Y2W	GARNISH,SIDE COVER,L (BLUE)	1	BODY COLOR:YU1,QU2
10-2	94452-25LA0-YU1	GARNISH,SIDE COVER,L (YELLOW)	1	BODY COLOR:QVP
11	09139-05091	SCREW (5X13)	2	
12	09409-08012	CLIP	4	
13	09409-10314	CLIP	2	
14	03541-0512A	SCREW	6	
15	03541-0516A	SCREW	6	

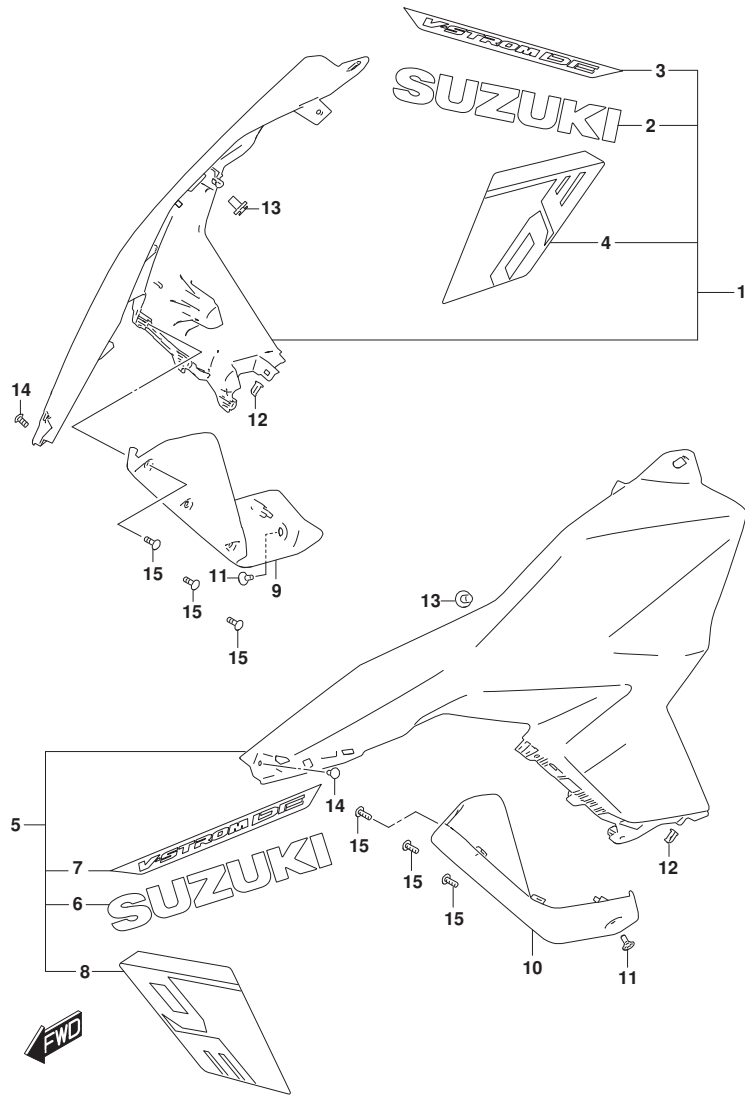


FIG.444A

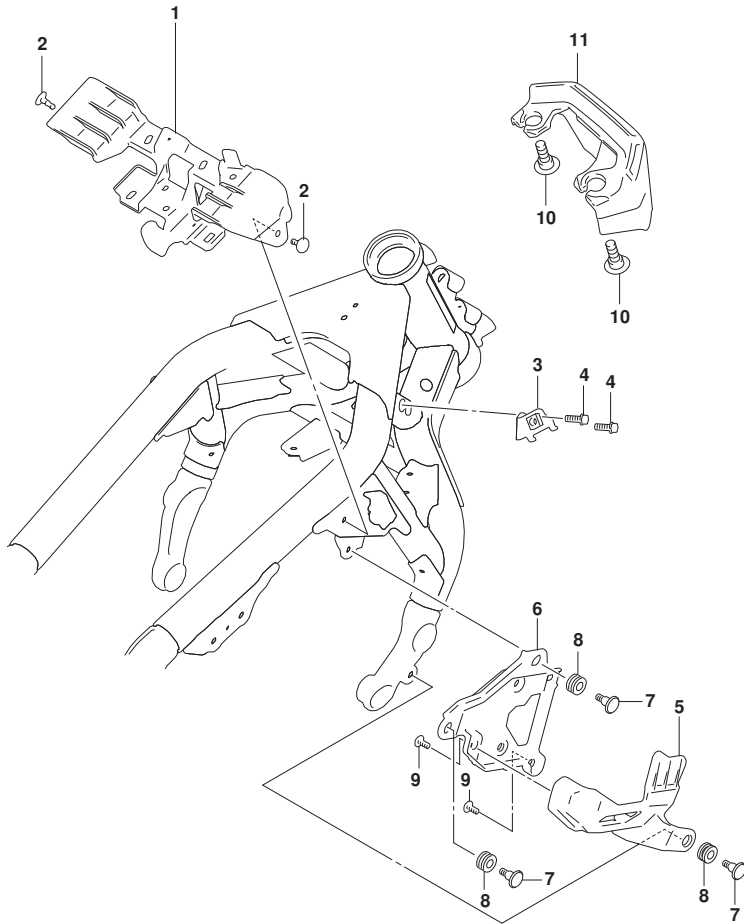


FIG.444A (1-E-12) FRONT BRACKET

REF NO.	PART NO.	DESCRIPTION	Q'TY	REMARKS
1	47430-25L00	BRACKET,COUPLER	1	
2	94479-35F00	CLIP	2	
3	46420-25L00	BRACKET,HORN	1	
4	01547-0616B	BOLT	2	
5	47436-25L00	GUARD,RECTIFIER	1	
6	47437-25L00	HOLDER,RECTIFIER	1	
7	09139-06211	SCREW (6X20)	3	
8	09320-09016	CUSHION (9X18X9.5)	3	
9	03541-0512A	SCREW	2	
10	09139-05073	BOLT (5X16)	2	
11	94415-25LA0	GUARD,KEY CYLINDER	1	

FIG.445A

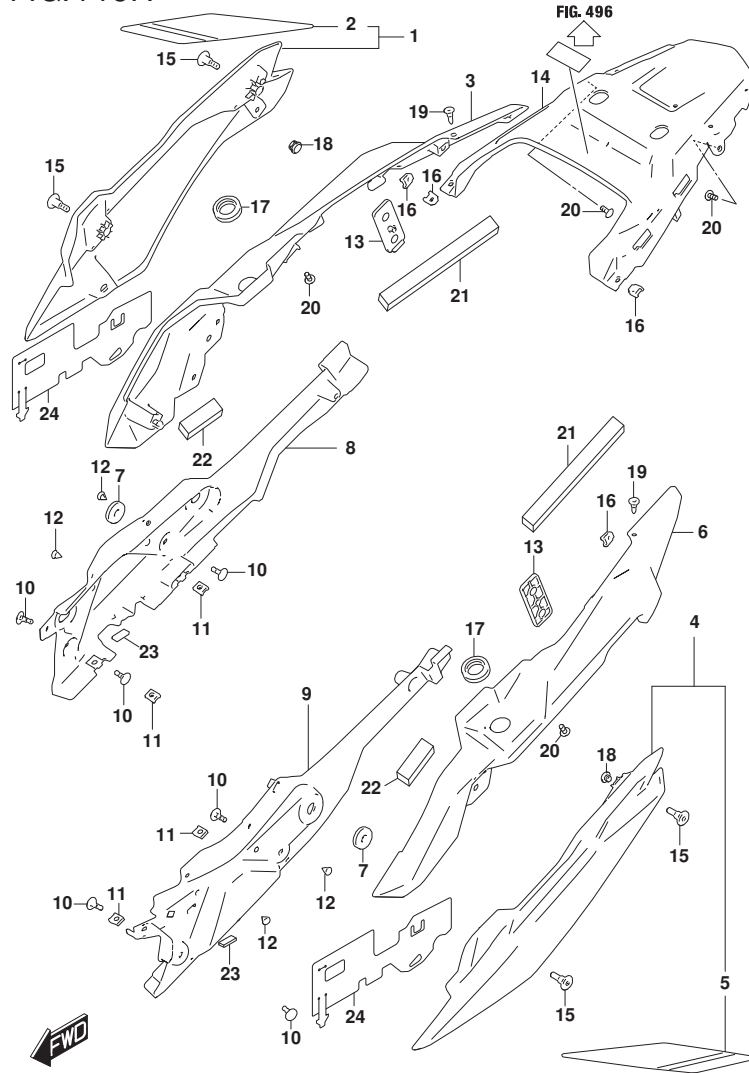


FIG.445A (1-E-13) FRAME COVER

REF NO.	PART NO.	DESCRIPTION	Q'TY	REMARKS
1-1	47410-25L00-Y2W	COVER,FRAME SIDE,R (BLUE)	1	BODY COLOR:YU1
1-2	47410-25L00-CUX	COVER,FRAME SIDE,R	1	BODY COLOR:QU2
1-3	47410-25L00-CVX	COVER,FRAME SIDE,R (BLACK)	1	BODY COLOR:QVP
2-1	68135-25L00-CJ3	.TAPE,FRAME COVER SIDE,R	1	BODY COLOR:YU1
2-2	68135-25L00-CKB	.TAPE,FRAME COVER SIDE,R	1	BODY COLOR:QU2
2-3	68135-25L00-CKC	.TAPE,FRAME COVER SIDE,R	1	BODY COLOR:QVP
3-1	47411-25LA0-YU1	COVER,FRAME REAR,R (YELLOW)	1	BODY COLOR:YU1
3-2	47411-25LA0-QU2	COVER,FRAME REAR,R (WHITE)	1	BODY COLOR:QU2
3-3	47411-25LA0-QVP	COVER,FRAME REAR,R (GREEN)	1	BODY COLOR:QVP
4-1	47510-25L00-Y2W	COVER,FRAME SIDE,L (BLUE)	1	BODY COLOR:YU1
4-2	47510-25L00-CUX	COVER,FRAME SIDE,L	1	BODY COLOR:QU2
4-3	47510-25L00-CVX	COVER,FRAME SIDE,L (BLACK)	1	BODY COLOR:QVP
5-1	68145-25L00-CJ3	.TAPE,FRAME COVER SIDE,L	1	BODY COLOR:YU1
5-2	68145-25L00-CKB	.TAPE,FRAME COVER SIDE,L	1	BODY COLOR:QU2
5-3	68145-25L00-CKC	.TAPE,FRAME COVER SIDE,L	1	BODY COLOR:QVP
6-1	47511-25LA0-YU1	COVER,FRAME REAR,L (YELLOW)	1	BODY COLOR:YU1
6-2	47511-25LA0-QU2	COVER,FRAME REAR,L (WHITE)	1	BODY COLOR:QU2
6-3	47511-25LA0-QVP	COVER,FRAME REAR,L (GREEN)	1	BODY COLOR:QVP
7	09320-08018	CUSHION (8X26X7)	2	
8	47311-25LA0	COVER,FRAME INNER,R	1	
9	47321-25LA0	COVER,FRAME INNER,L	1	
10	94479-35F00	CLIP	6	
11	09148-05038	NUT (M5)	4	
12	09250-06017	PLUG (OD:10)	4	
13	47510-28K00	SPACER,FRAME COVER	2	
14-1	47711-25LA0-Y2W	COVER,FRAME REAR CTR (BLUE)	1	BODY COLOR:YU1,QU2
14-2	47711-25LA0-YU1	COVER,FRAME REAR CTR (YELLOW)	1	BODY COLOR:QVP
15	47913-06L00	SCREW	4	
16	09148-05045	NUT (M5)	4	
17	09320-20011	CUSHION (20X32X9)	2	
18	09321-05023	CUSHION	2	
19	09409-06314	CLIP (5.9X20.5)	2	
20	03541-0512A	SCREW	4	
21	47213-25LA0	CUSHION,FRAME COVER REAR	2	
22	47215-25LA0	CUSHION,FRAME COVER REAR	2	

FIG.445A

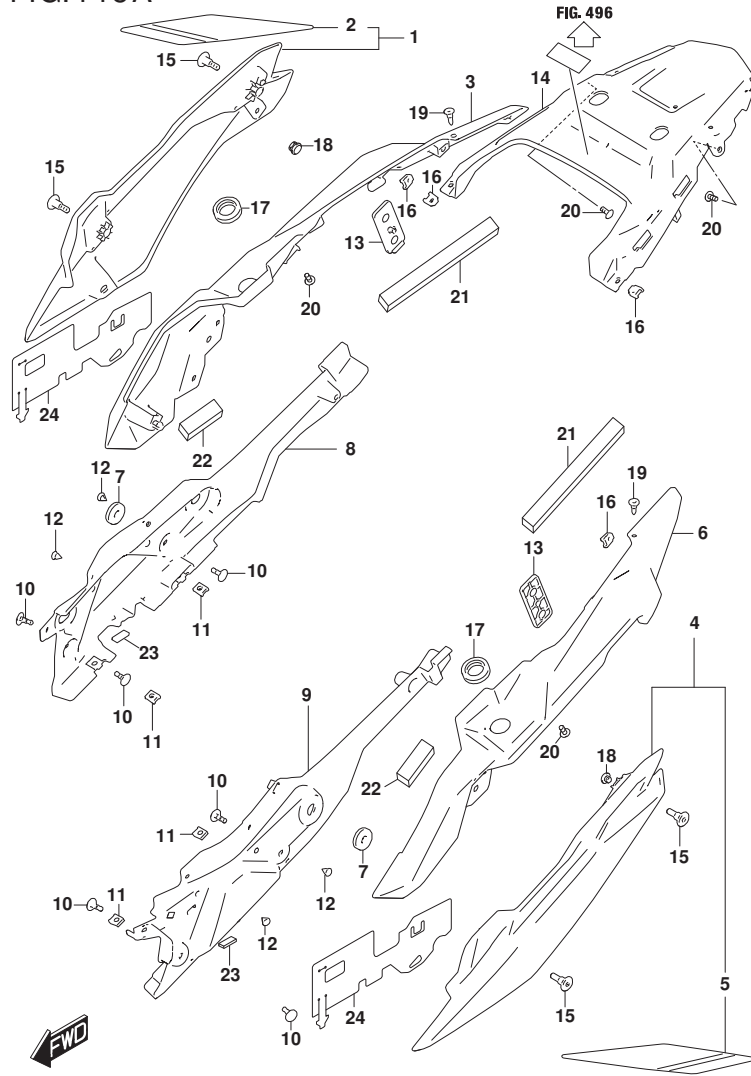


FIG.445A (1-E-14) FRAME COVER

REF NO.	PART NO.	DESCRIPTION	Q'TY	REMARKS
23	94413-08F00	CUSHION,CTR PANEL UPR	2	
24	47166-25LA0	SHIELD,FRAME COVER	2	



FIG.447A

FIG.447A (1-E-15) FRAME BODY COVER

REF NO.	PART NO.	DESCRIPTION	Q'TY	REMARKS
1-1	47110-25LA0-Y2W	COVER,FRAME,R (BLUE)	1	BODY COLOR:YU1,QU2
1-2	47110-25LA0-019	COVER,FRAME,R (BLACK)	1	BODY COLOR:QVP
2-1	47210-25LA0-Y2W	COVER,FRAME,L (BLUE)	1	BODY COLOR:YU1,QU2
2-2	47210-25LA0-019	COVER,FRAME,L (BLACK)	1	BODY COLOR:QVP
3	94478-14J00	CUSHION	2	
4	09148-05052	NUT (M5)	2	
5	09320-08018	CUSHION (8X26X7)	2	
6	09329-14003	CUSHION (14X20X9)	2	
7	09409-08326	CLIP (10.5X14.3)	2	
8	47121-25LA0	COVER,FRAME LOWER,R	1	
9	47221-25LA0	COVER,FRAME LOWER,L	1	
10	94429-21E00	CUSHION (10X30X2)	4	
11	09139-06245	SCREW	4	
12	09409-08326	CLIP (10.5X14.3)	1	
13	09320-08029	CUSHION	1	
14	09111-06106	BOLT (6X12)	2	

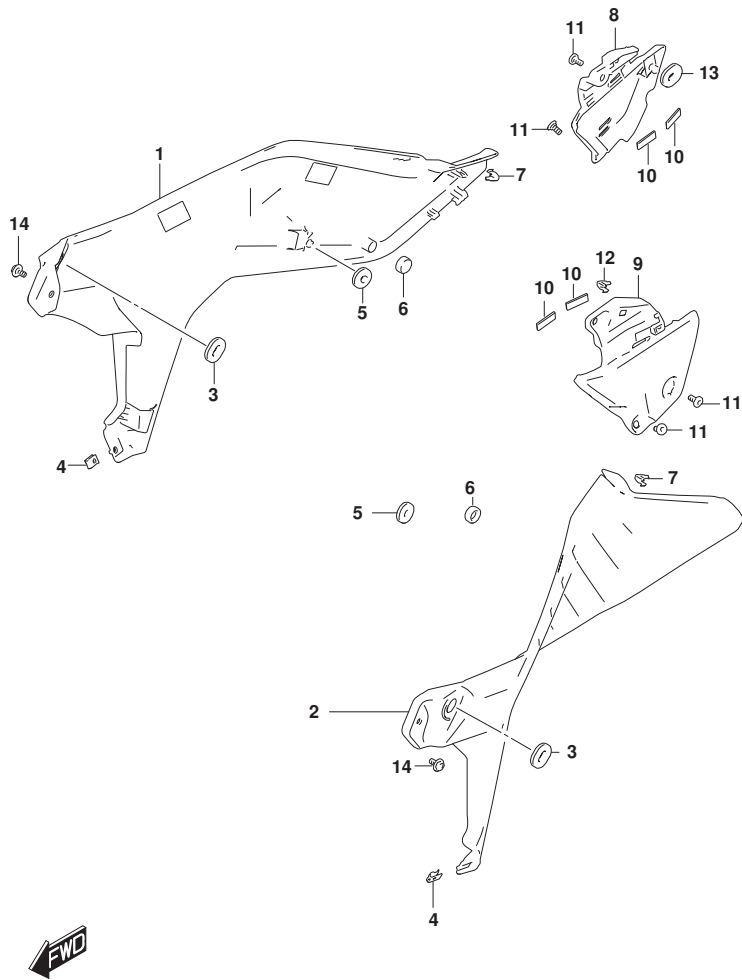


FIG.454A

FIG.454A (1-E-16) WINDSCREEN

REF NO.	PART NO.	DESCRIPTION	Q'TY	REMARKS
1	94611-25LA0	WINDSCREEN	1	
2	09139-05066	SCREW (5X18)	4	
3	09159-05048	NUT	4	
4	09161-05010	WASHER (5.2X11.0X1.0)	4	

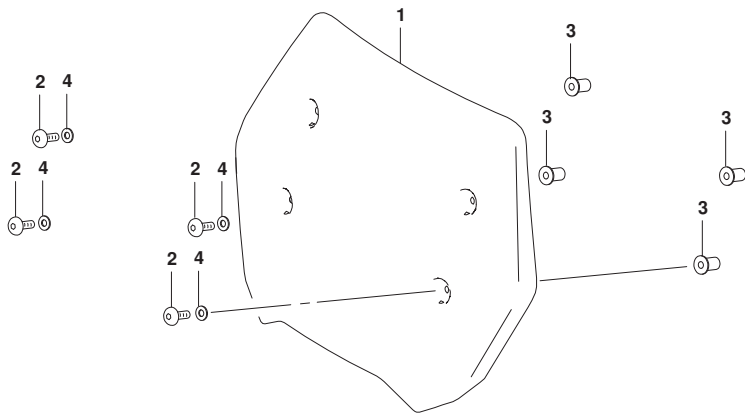


FIG.460A

FIG.460A (1-F-2) FRONT FENDER

REF NO.	PART NO.	DESCRIPTION	Q'TY	REMARKS
1	53111-25LA0	FENDER,FRONT	1	
2-1	53120-25L10-Y2W	COVER,FRONT FENDER SIDE,R (BLU E)	1	BODY COLOR:YU1
2-2	53120-25L10-CUX	COVER,FRONT FENDER SIDE,R	1	BODY COLOR:QU2
2-3	53120-25L10-B2X	COVER,FRONT FENDER SIDE,R (YEL LOW)	1	BODY COLOR:QVP
3-1	68155-25L00-CJ6	.TAPE,FRONT FENDER SIDE COVER, R	1	BODY COLOR:YU1
3-2	68155-25L00-CKD	.TAPE,FRONT FENDER SIDE COVER, R	1	BODY COLOR:QU2
3-3	68155-25L00-CKE	.TAPE,FRONT FENDER SIDE COVER, R	1	BODY COLOR:QVP
4-1	53130-25L10-Y2W	COVER,FRONT FENDER SIDE,L (BLU E)	1	BODY COLOR:YU1
4-2	53130-25L10-CUX	COVER,FRONT FENDER SIDE,L	1	BODY COLOR:QU2
4-3	53130-25L10-B2X	COVER,FRONT FENDER SIDE,L (YEL LOW)	1	BODY COLOR:QVP
5-1	68165-25L00-CJ6	.TAPE,FRONT FENDER SIDE COVER, L	1	BODY COLOR:YU1
5-2	68165-25L00-CKD	.TAPE,FRONT FENDER SIDE COVER, L	1	BODY COLOR:QU2
5-3	68165-25L00-CKE	.TAPE,FRONT FENDER SIDE COVER, L	1	BODY COLOR:QVP
6	09116-06188	BOLT (6X20)	4	
7	09139-05091	SCREW (5X13)	4	
8	09139-06221	SCREW (6X16)	2	
9	09148-05052	NUT (M5)	4	
10	09180-06086	SPACER,6X9.8X6 (6X9.8X6)	4	

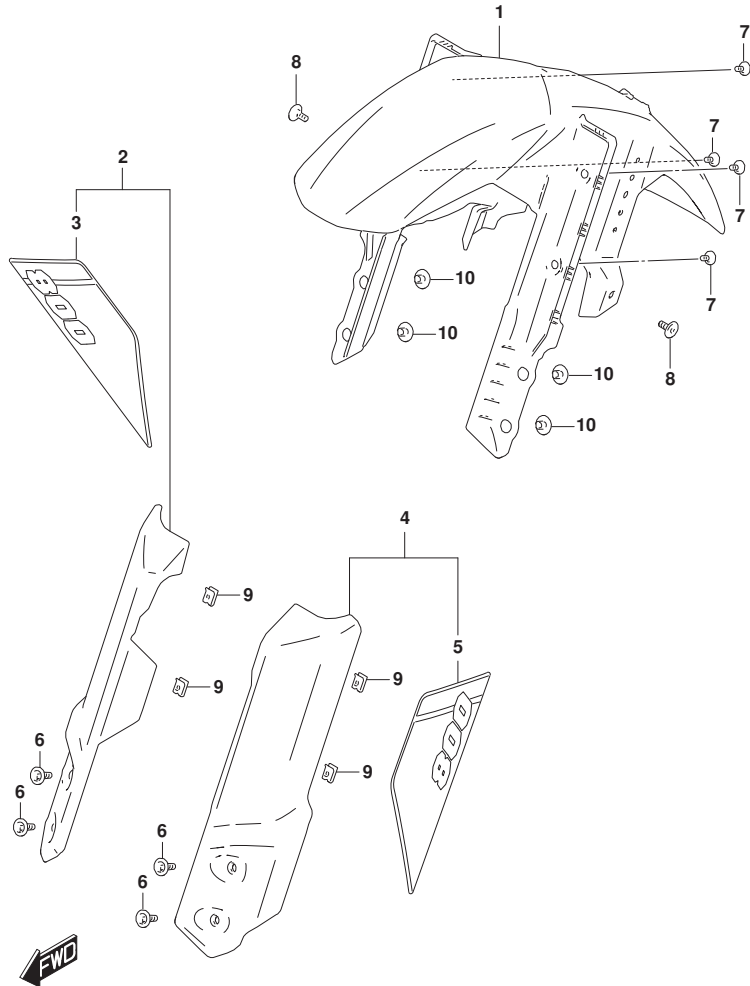


FIG.462A

FIG.462A (1-F-3) HANDLEBAR

REF NO.	PART NO.	DESCRIPTION	Q'TY	REMARKS
1	56111-25L10	HANDLEBAR	1	
2	56277-06L10	BOLT,BALANCER	2	
3	56278-25L00	BALANCER,HANDLEBAR	2	
4	57346-06L00	SPACER,BALANCER	2	

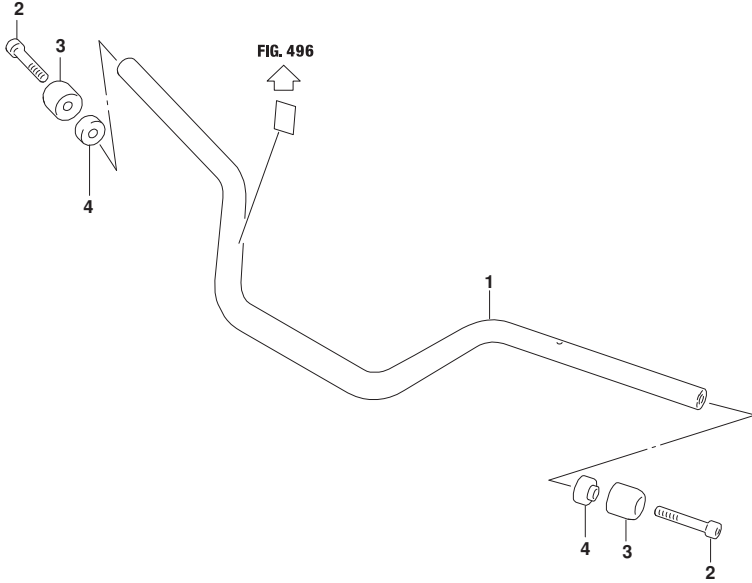


FIG.464A

**FIG.464A (1-F-4) REAR VIEW MIRROR**

REF NO.	PART NO.	DESCRIPTION	Q'TY	REMARKS
1	56500-06L30	MIRROR ASSY,REAR VIEW,R	1	
2	56600-06L30	MIRROR ASSY,REAR VIEW,L	1	

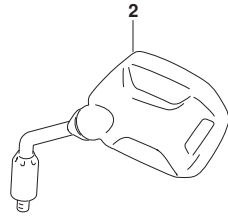
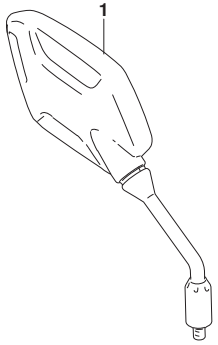


FIG.466A

FIG.466A (1-F-5) CONTROL CABLE

REF NO.	PART NO.	DESCRIPTION	Q'TY	REMARKS
1	58200-25L20	CABLE ASSY,CLUTCH	1	
2	58620-25L00	GUIDE,CLUTCH CABLE	1	
3	58634-25L00	STOPPER,CLUTCH CABLE	1	
4	09403-20311	CLAMP	1	
5	09407-17403	CLAMP (L:170)	1	
6	01547-0612A	BOLT	2	
7	01550-0616A	BOLT	2	

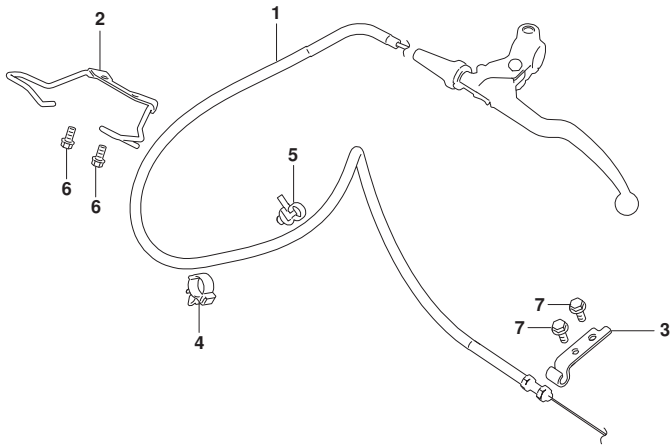


FIG.467A

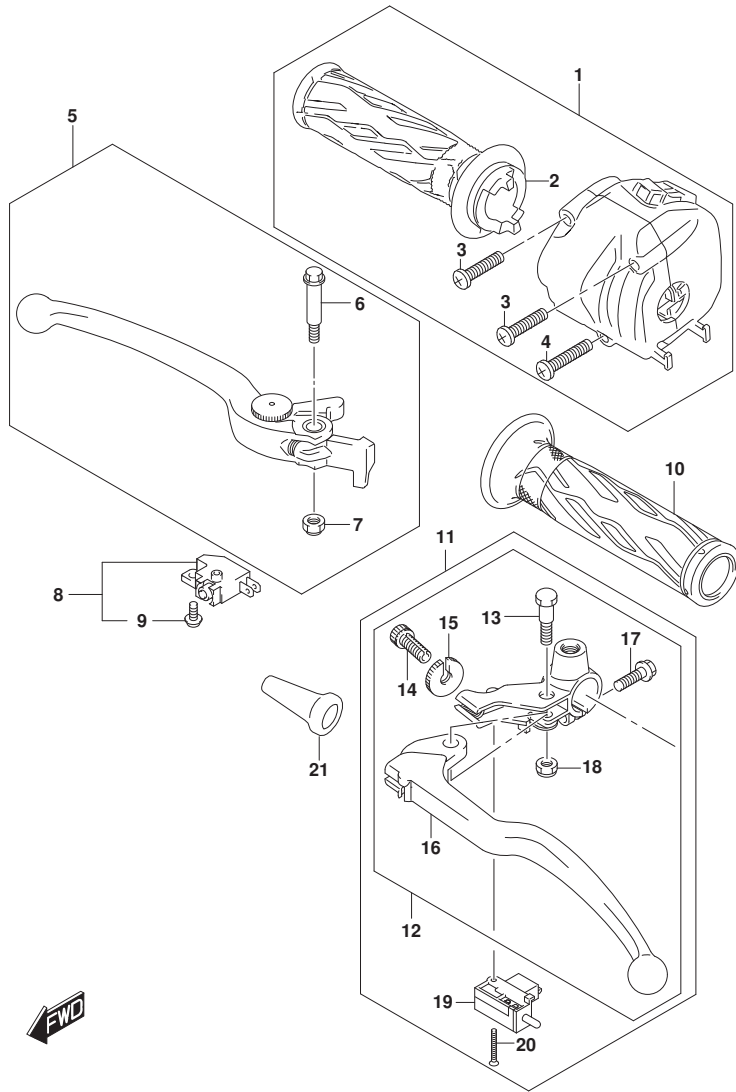


FIG.467A (1-F-6) HANDLE LEVER

REF NO.	PART NO.	DESCRIPTION	Q'TY	REMARKS
1	57100-06L70	GRIP ASSY, THROTTLE	1	
2	57110-06L00	.GRIP, THROTTLE	1	
3	02112-0530B	.SCREW	2	
4	02112-0540B	.SCREW	1	
5	57300-14G40	LEVER ASSY, BRAKE	1	
6	57431-17H02	.BOLT, LEVER PIVOT	1	
7	08319-2106A	.NUT	1	
8	57460-14J02	SWITCH ASSY, FR BRAKE	1	
9	57465-17C00	.SCREW, WITH WASHER (4X12)	1	
10	57211-21H01	GRIP, L	1	
11	57059-25D50	LEVER SET, CLUTCH	1	
12	57500-25D50	.LEVER ASSY, CLUTCH	1	
13	57431-21D11	..BOLT, LEVER PIVOT	1	
14	57441-25L00	..ADJUSTER, WIRE	1	
15	57442-08C01	..NUT, LOCK	1	
16	57621-25D10	..LEVER, CLUTCH	1	
17	01547-0620B	..BOLT	1	
18	08319-2106A	..NUT	1	
19	57560-05A00	.SWITCH, CLUTCH	1	
20	57562-41G01	.SCREW, CLUTCH SWITCH	1	
21	58273-31001	BOOT, CLUTCH CABLE	1	

FIG.472A

FIG.472A (1-F-7) KNUCKLE COVER

REF NO.	PART NO.	DESCRIPTION	Q'TY	REMARKS
1	57341-06L01	COVER,KNUCKLE RH	1	
2	57342-06L00	BRACKET,KNUCKLE COVER,R	1	
3	57541-06L01	COVER,KNUCKLE LH	1	
4	57542-48K30	BRACKET,KNUCKLE COVER,L	1	
5	09139-05092	SCREW (5X13)	4	
6	09148-05052	NUT (M5)	4	
7	09321-06026	CUSHION	1	
8	09321-06036	CUSHION	1	

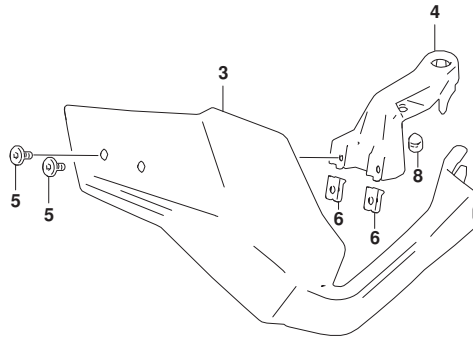
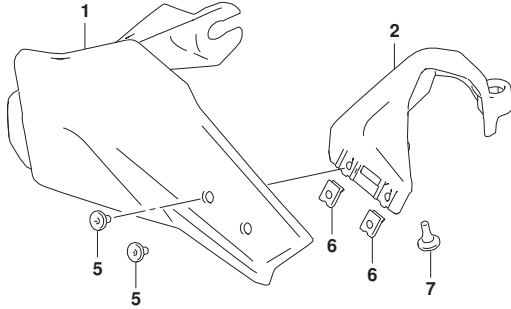




FIG.474A

FIG.474A (1-F-8) REAR FENDER

REF NO.	PART NO.	DESCRIPTION	Q'TY	REMARKS
1	63111-25LA0	FENDER,REAR FRONT	1	
2	63112-25LA0	FENDER,REAR REAR	1	
3	63311-25LA0	EXTENSION,REAR FENDER	1	
4	09111-06106	BOLT (6X12)	6	
5	09409-06314	CLIP (5.9X20.5)	2	
6	09409-06314	CLIP (5.9X20.5)	2	
7	03541-0512A	SCREW	4	
8	63118-25LA0	SCREW,REAR FENDER REAR	4	
9	09139-06225	BOLT (6X12)	1	
10	09321-06026	CUSHION	1	
11	94429-21E00	CUSHION (10X30X2)	2	
12	44555-33H00	CUSHION,TANK COVER LWR NO.1	1	
13	63119-25LA0	CUSHION,LAMP SIDE,R	1	
14	63219-25LA0	CUSHION,LAMP SIDE,L	1	
15	63117-25LA0	CUSHION,AIR CLEANER	1	
16	08322-0106B	WASHER	2	

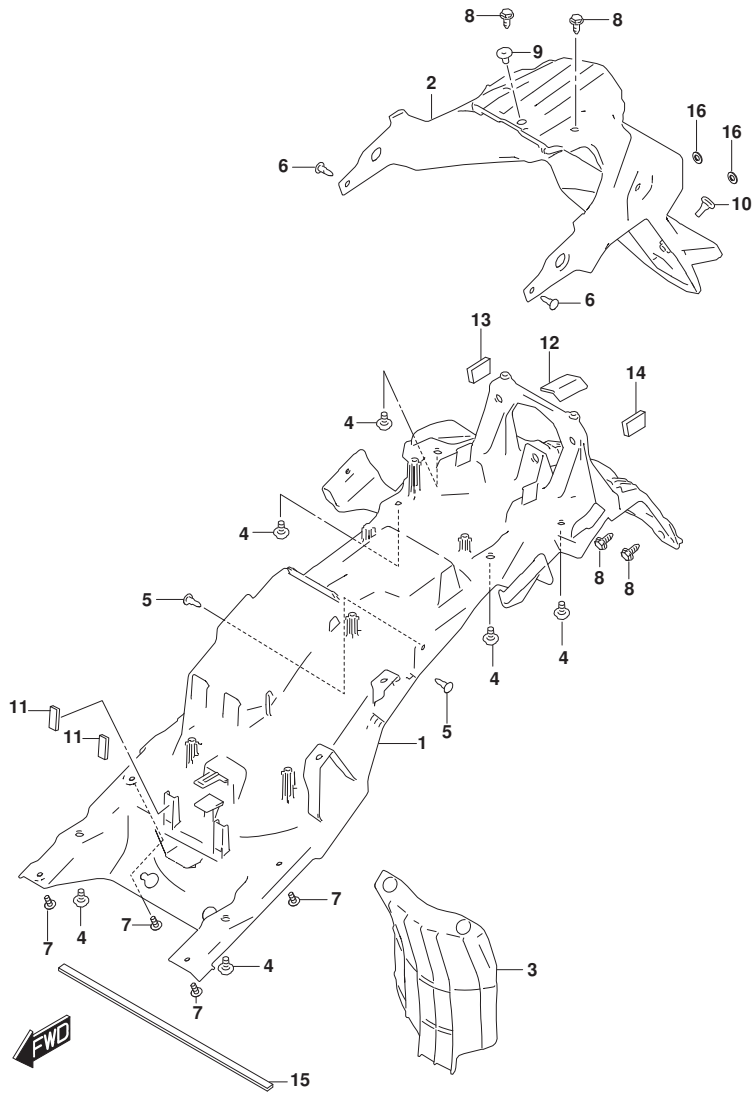


FIG.481A

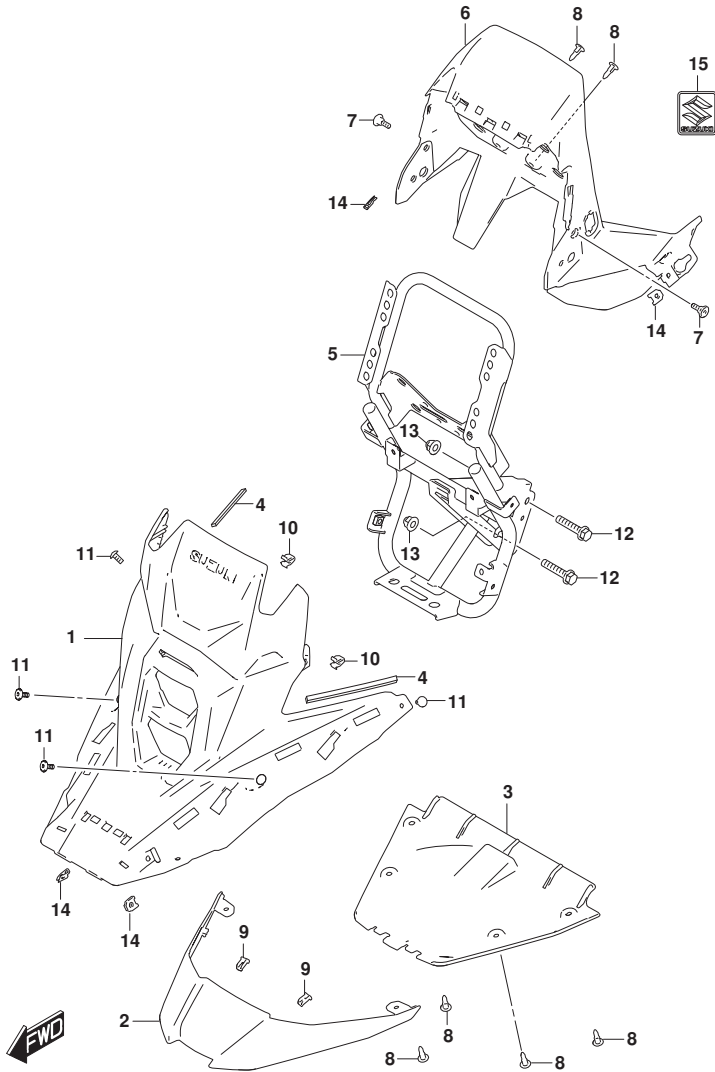


FIG.481A (1-F-9) COWLING BODY

REF NO.	PART NO.	DESCRIPTION	Q'TY	REMARKS
1	94411-25LA0	COWLING,BODY	1	
2-1	94413-25LA0-Y2W	COWLING,BODY LOWER (BLUE)	1	BODY COLOR:YU1,QU2
2-2	94413-25LA0-YU1	COWLING,BODY LOWER (YELLOW)	1	BODY COLOR:QVP
3	94414-25LA0	COWLING,BODY INNER	1	
4	94416-25LA0	CUSHION,COWLING BODY	2	
5	94510-25LA0	BRACE,COWLING	1	
6	94631-25LA0	PANEL,METER	1	
7	09139-05094	SCREW (5X18)	2	
8	09409-06314	CLIP (5.9X20.5)	8	
9	09409-08012	CLIP	2	
10	09409-08326	CLIP (10.5X14.3)	2	
11	03541-0512A	SCREW	4	
12	01550-0840A	BOLT	2	
13	08313-2008A	NUT	2	
14	09148-05045	NUT (M5)	4	
15	68281-47HA0	EMBLEM,S	1	

FIG.483A

FIG.483A (1-F-10) UNDER COWLING

REF NO.	PART NO.	DESCRIPTION	QTY	REMARKS
1	94491-25LA0	COVER,UNDER	1	
2	94492-25LA0	SHIELD,UNDER COVER HEAT NO.1	1	
3	94493-25LA0	SHIELD,UNDER COVER HEAT NO.2	1	
4	94494-25LA0	SHIELD,UNDER COVER HEAT NO.3	1	
5	94495-25LA0	SHIELD,UNDER COVER HEAT NO.4	1	
6	09111-06262	BOLT (6X13.5)	2	
7	09139-06206	SCREW (6X20)	2	
8	09320-09016	CUSHION (9X18X9.5)	2	

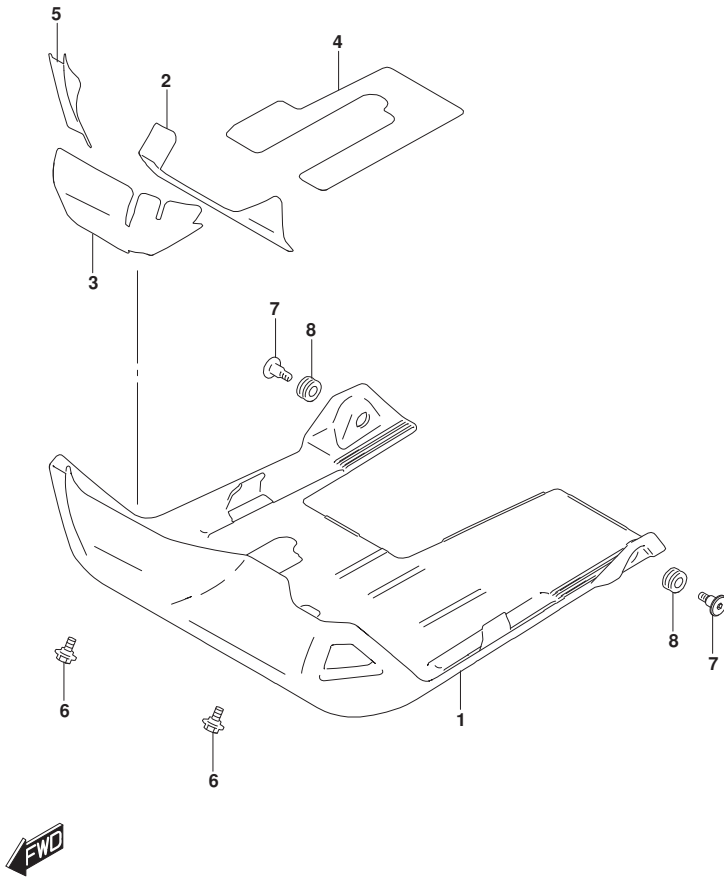


FIG.496B

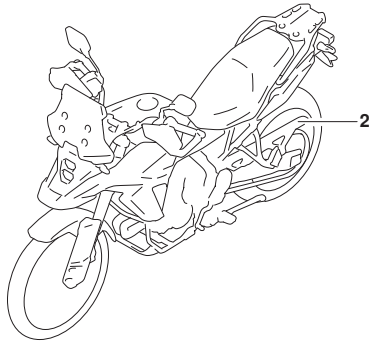
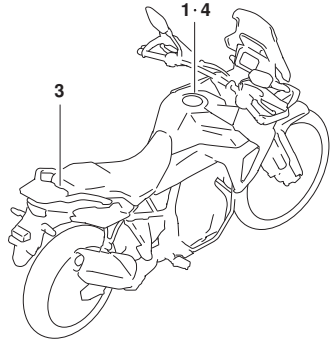


FIG.496B (1-F-11) LABEL

REF NO.	PART NO.	DESCRIPTION	Q'TY	REMARKS
1-1	68319-06L00	LABEL,GENERAL WARNING	1	ENGLISH
1-2	68319-06L20	LABEL,GENERAL WARNING	1	GERMAN
1-3	68319-06L30	LABEL,GENERAL WARNING	1	FRENCH
1-4	68319-06L40	LABEL,GENERAL WARNING	1	ITALIAN
1-5	68319-06L50	LABEL,GENERAL WARNING	1	SPANISH
1-6	68319-06L70	LABEL,GENERAL WARNING	1	DUTCH
1-7	68319-06L80	LABEL,GENERAL WARNING	1	PORTUGUESE
2	68332-25L60	LABEL,TIRE INFORMATION	1	
3	68391-06L00	LABEL,CARRIER WARNING	1	
4	11959-10L00	LABEL,GASOLINE	1	

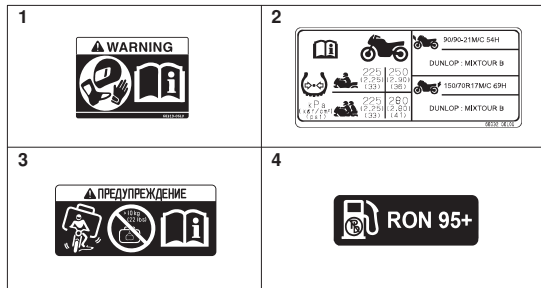


FIG.497A

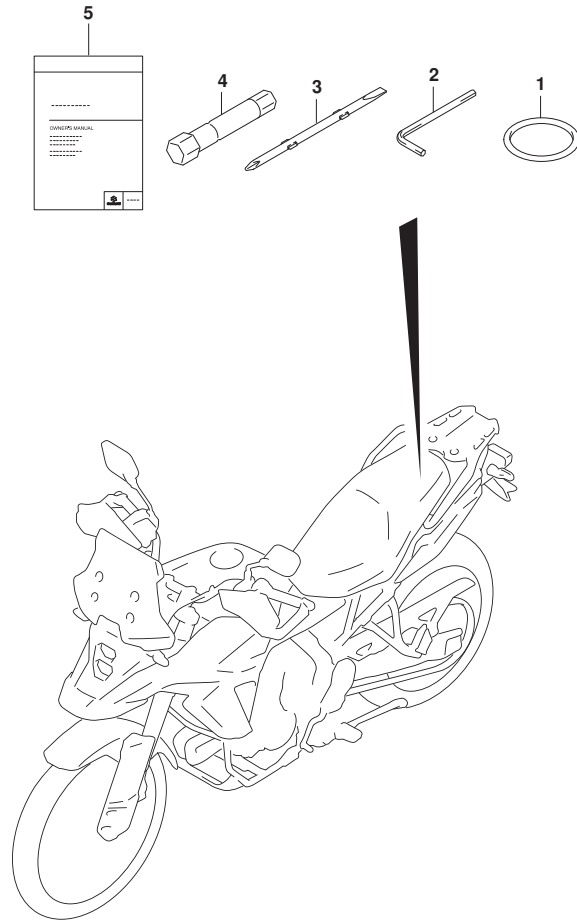


FIG.497A (1-F-12) MANUAL/TOOLS

REF NO.	PART NO.	DESCRIPTION	Q'TY	REMARKS
1	09280-63003	O-RING (D:3.5,ID:62.6)	1	
2	96514-17K00	SPANNER,HEXAGON (5)	1	
3	09814-00015	DRIVER	1	
4	09814-00016	GRIP,DRIVER	1	
5-1	99011-25L10-01A	MANUAL,OWNER'S	1	ENGLISH
5-2	99011-25L10-01E	MANUAL,OWNER'S	1	ITALIAN
5-3	99011-25L10-01F	MANUAL,OWNER'S	1	FRENCH
5-4	99011-25L10-01H	MANUAL,OWNER'S	1	DUTCH
5-5	99011-25L10-01K	MANUAL,OWNER'S	1	GERMAN
5-6	99011-25L10-029	MANUAL,OWNER'S	1	SPANISH

FIG.505A

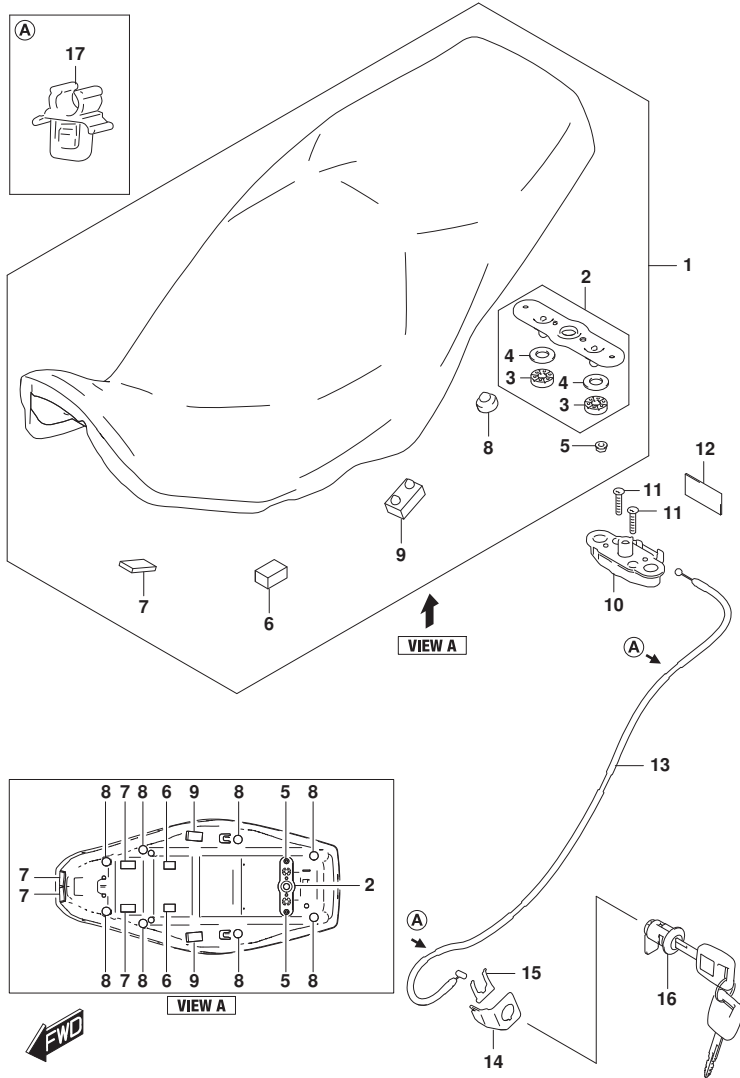


FIG.505A (1-F-13) SEAT

REF NO.	PART NO.	DESCRIPTION	Q'TY	REMARKS
1	45100-25LA0-CKA	SEAT ASSY (BLACK)	1	
2	45290-28D20	.STRIKER,SEAT LOCK	1	
3	45213-13601	..CUSHION,SEAT LOCK (10X22X6)	2	
4	08322-0110A	..WASHER	2	
5	08316-1006A	..NUT (6X12)	2	
6	17798-29E30	..CUSHION (20X30X15)	2	
7	33652-21G10	..CUSHION (40X20X5)	4	
8	45148-16700	..CUSHION,FR	8	
9	09321-08006	..CUSHION	2	
10	45220-47H00	BRACKET,SEAT SUPPORT	1	
11	09126-06019	SCREW (6X30)	2	
12	44885-38A00	CUSHION	1	
13	45280-25LA0	CABLE,SEAT LOCK	1	
14	45288-14F00	GUIDE,SEAT LOCK CABLE	1	
15	45289-11F00	PLATE,SEAT LOCK ASSY	1	
16	95700-14810	LOCK SET,SEAT	1	
17	09403-05319	CLAMP	2	

FIG.521A

FIG.521A (1-F-14) FRONT FORK DAMPER

REF NO.	PART NO.	DESCRIPTION	Q'TY	REMARKS
1	51103-25L30	DAMPER ASSY,R	1	
2	51110-25L30	.TUBE,INNER,R	1	
3	51121-07J00	.BUSH,SLIDE	1	
4	51131-25L30	.TUBE,OUTER	1	
5	51147-25L30	.BOLT,CENTER	1	
6	51152-47H00	.BUSH,GUIDE	1	
7	51153-47H00	.SEAL,OIL	1	
8	51168-17C00	.SPACER,SEAL	1	
9	51171-25L30	.SPRING,FR	1	
10	51172-22D00	.JOINT,SPRING LWR	1	
11	51173-25L30	.SEAL,DUST	1	
12	51175-22D00	.GUIDE,SPRING,UPPER	1	
13	51176-25L30	.COLLAR SPRING	1	
14	51187-47H00	.O-RING	1	
15	51189-25L30	.BOLT,FORK	1	
16	51193-25L30	.SEAT,RUBBER	1	
17	51328-37F80	.BOLT	2	
18	51556-38B00	.RING,STOPPER	1	
19	51815-17D00	.PLATE,CENTERING	1	
20	51827-27E00	.NUT	1	
21	52110-25L30	.PISTON ROD	1	
22	09161-10009	.WASHER (10X15X1.5)	1	
23	51104-25L30	DAMPER ASSY,L	1	
24	51120-25L30	.TUBE,INNER,L	1	
25	51121-07J00	.BUSH,SLIDE	1	
26	51131-25L30	.TUBE,OUTER	1	
27	51147-25L30	.BOLT,CENTER	1	
28	51152-47H00	.BUSH,GUIDE	1	
29	51153-47H00	.SEAL,OIL	1	
30	51168-17C00	.SPACER,SEAL	1	
31	51171-25L30	.SPRING,FR	1	
32	51172-22D00	.JOINT,SPRING LWR	1	
33	51173-25L30	.SEAL,DUST	1	
34	51175-22D00	.GUIDE,SPRING,UPPER	1	
35	51176-25L30	.COLLAR SPRING	1	

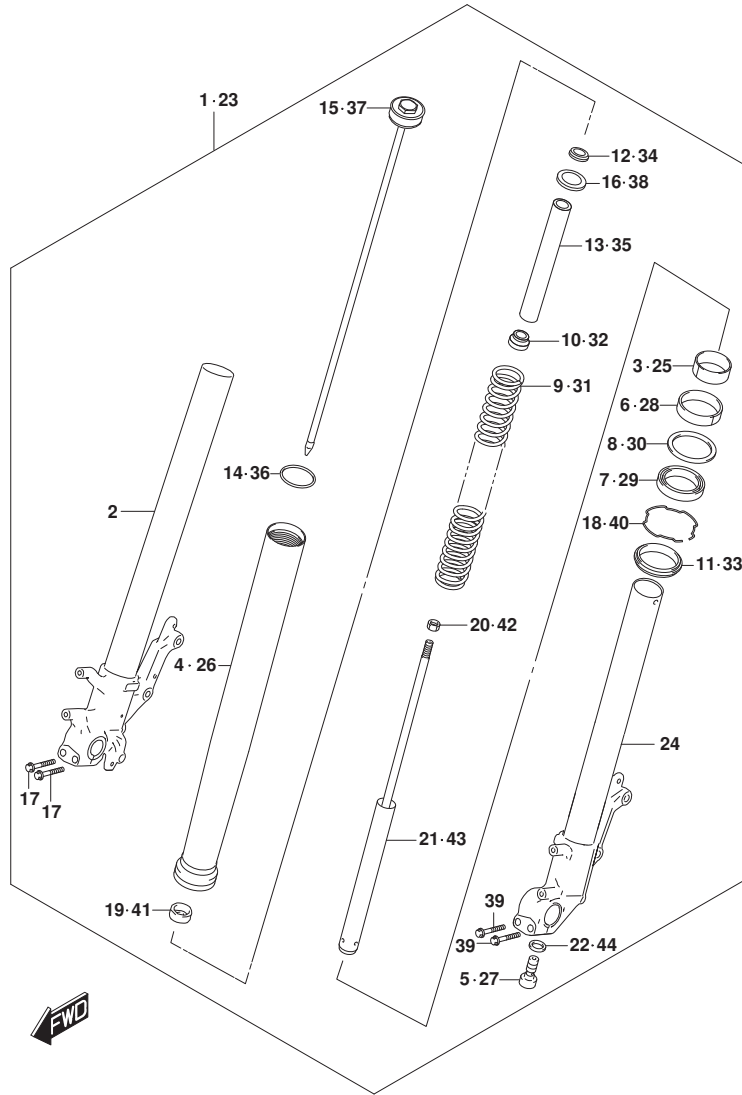


FIG.521A

FIG.521A (1-F-15) FRONT FORK DAMPER

REF NO.	PART NO.	DESCRIPTION	QTY	REMARKS
36	51187-47H00	.O-RING	1	
37	51189-25L30	.BOLT,FORK	1	
38	51193-25L30	.SEAT,RUBBER	1	
39	51328-37F80	.BOLT	2	
40	51556-38B00	.RING,STOPPER	1	
41	51815-17D00	.PLATE,CENTERING	1	
42	51827-27E00	.NUT	1	
43	52110-25L30	.PISTON ROD	1	
44	09161-10009	.WASHER (10X15X1.5)	1	

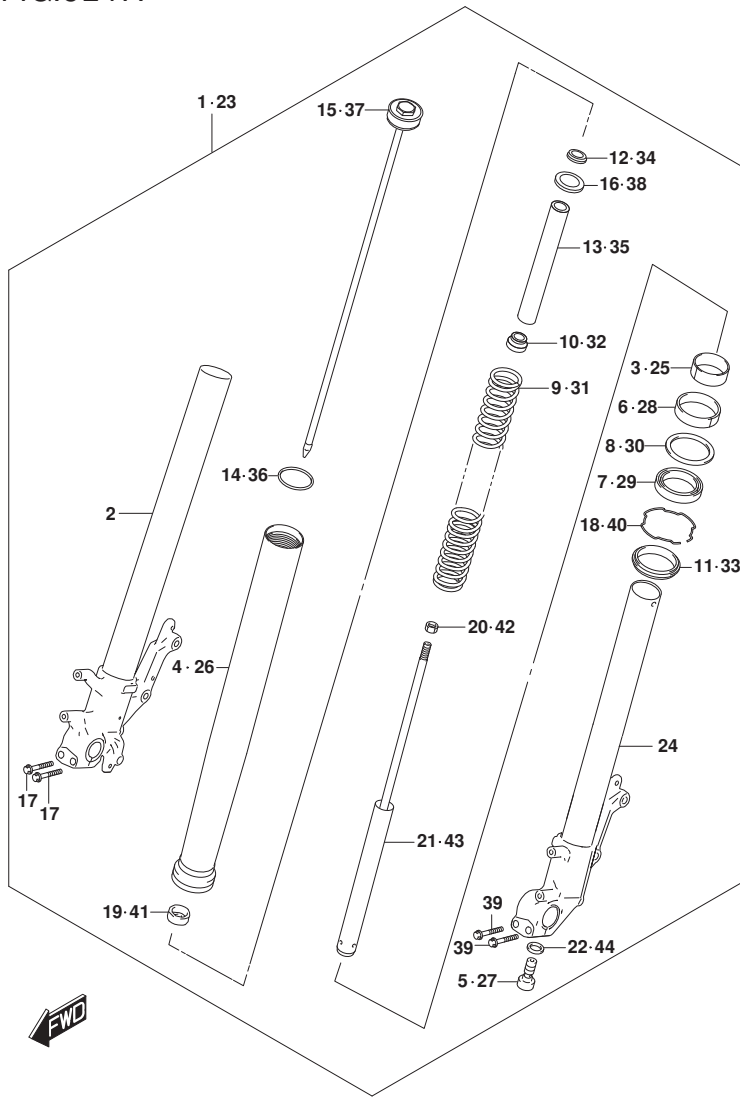




FIG.524A

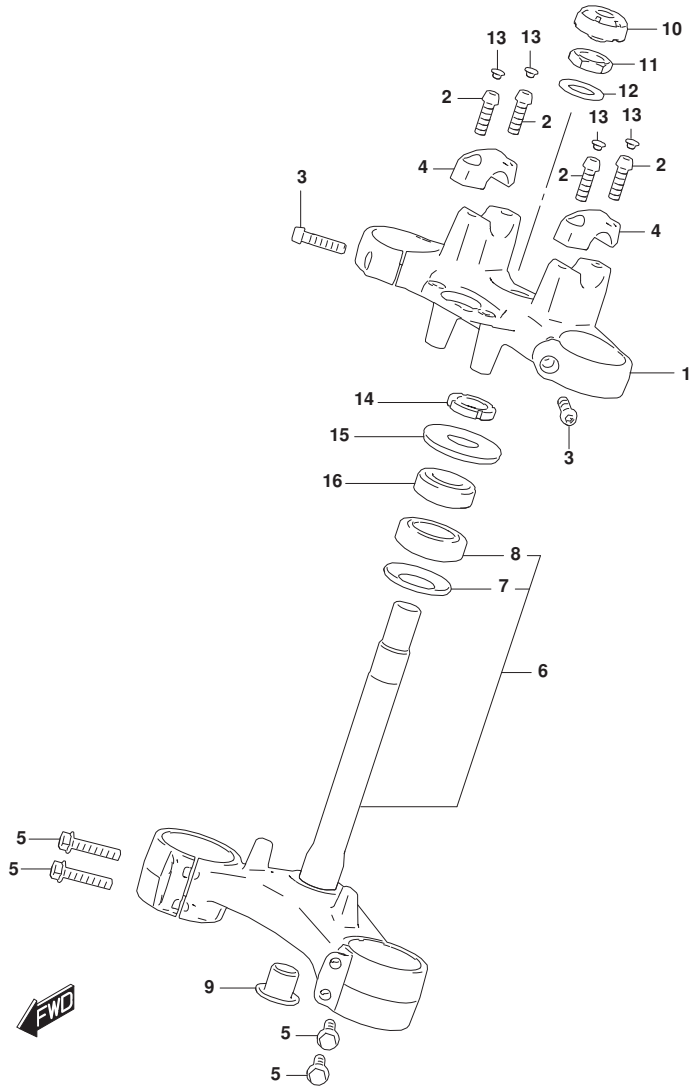


FIG.524A (1-F-16) STEERING STEM

REF NO.	PART NO.	DESCRIPTION	Q'TY	REMARKS
1	51311-25L30-291	BRACKET,UPPER (BLACK)	1	
2	51321-25L30	BOLT,HANDLE HOLDER	4	
3	51328-25L30	BOLT,BRACKET	2	
4	51331-25L30-291	HOLDER,HANDLE UPPER (BLACK)	2	
5	51328-44H00	BOLT	4	
6	51410-25L30-291	BRACKET,UNDER (BLACK)	1	
7	51644-12C00	.SEAL,STEERING LWR (30.1X56X4)	1	
8	09265-30020	.BEARING (30X55X17)	1	
9	51482-44H00	CAP	1	
10	51344-13K00	CAP,STEERING STEM	1	
11	51353-13K00	NUT	1	
12	51356-13K00	WASHER	1	
13	09250-06015	CAP (OD:10.5)	4	
14	51631-08D30	NUT,STEERING	1	
15	51643-01B10	SEAL,STEERING UPR DUST	1	
16	09265-25038	BEARING (25X47X15)	1	

FIG.526A

FIG.526A (1-G-2) SPEED SENSOR

REF NO.	PART NO.	DESCRIPTION	Q'TY	REMARKS
1	55710-25L10	SENSOR,FR WHEEL SPEED	1	
2	55731-25L00	CLAMP,FR WHEEL SPEED SENSOR	1	
3	65710-25L10	SENSOR,RR WHEEL SPEED	1	
4	09408-00184	CLAMP	1	
5	09408-00266	CLAMP	7	
6	09408-00266	CLAMP	3	
7	01547-0616A	BOLT	3	

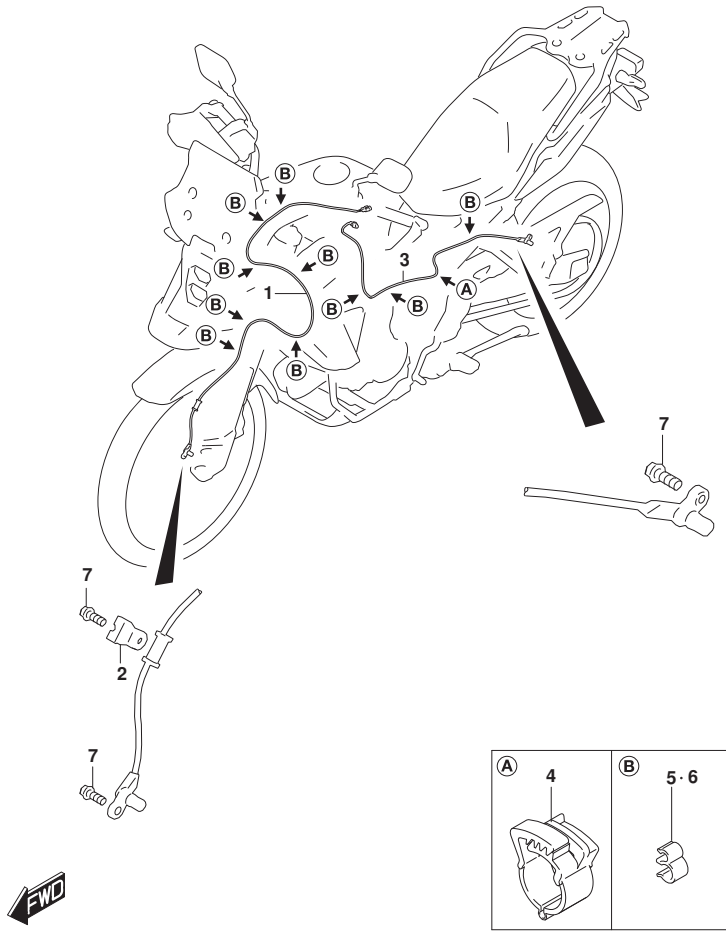


FIG.530A

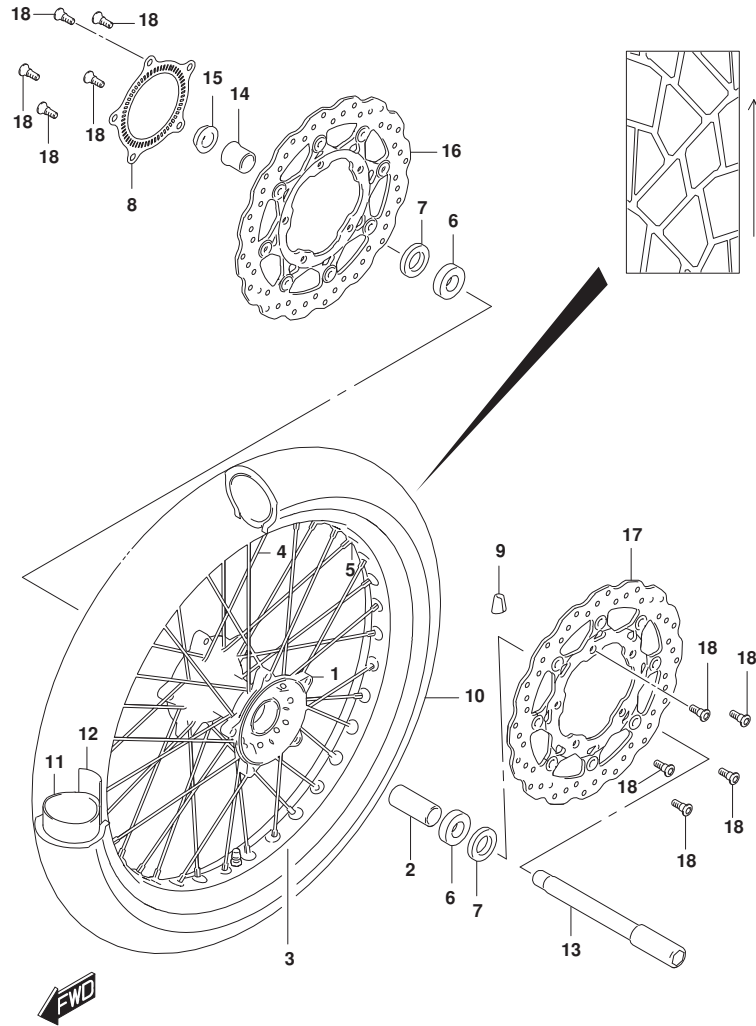


FIG.530A (1-G-3) FRONT WHEEL

REF NO.	PART NO.	DESCRIPTION	Q'TY	REMARKS
1	54111-25L20	HUB,FRONT	1	
2	54731-35G00	SPACER,FRONT HUB BEARING (20.5 X27.3X50)	1	
3	55311-25L00	RIM,FR WHEEL	1	GOLD
4	55321-25L00	SPOKE,FRONT WHEEL	36	
5	55326-25L00	NIPPLE,WHEEL	36	
6	09262-22049	BEARING	2	
7	09283-28028	SEAL,OIL	2	
8	54162-25L00	RING,SPEED SENSOR FR	1	
9	55412-41F00	BALANCER,WHEEL (20G)	1	
10	55110-25L30	TIRE,FRONT	1	
11	#55200-29F00	TUBE ASSY,WHEEL INNER	1	
12	#55261-44AF0	PROTECTOR,WHEEL INNER TUBE	1	
13	54711-25L00	AXLE,FRONT	1	
14	54741-25L00	SPACER,FRONT AXLE,R	1	
15	62994-47H00	NUT,RR SHOCK ABS BRACKET	1	
16	59210-13K00	DISC, FRONT BRAKE RH	1	
17	59220-13K00	DISC, FRONT BRAKE LH	1	
18	09106-08212	BOLT,DISC	10	

FIG.533A

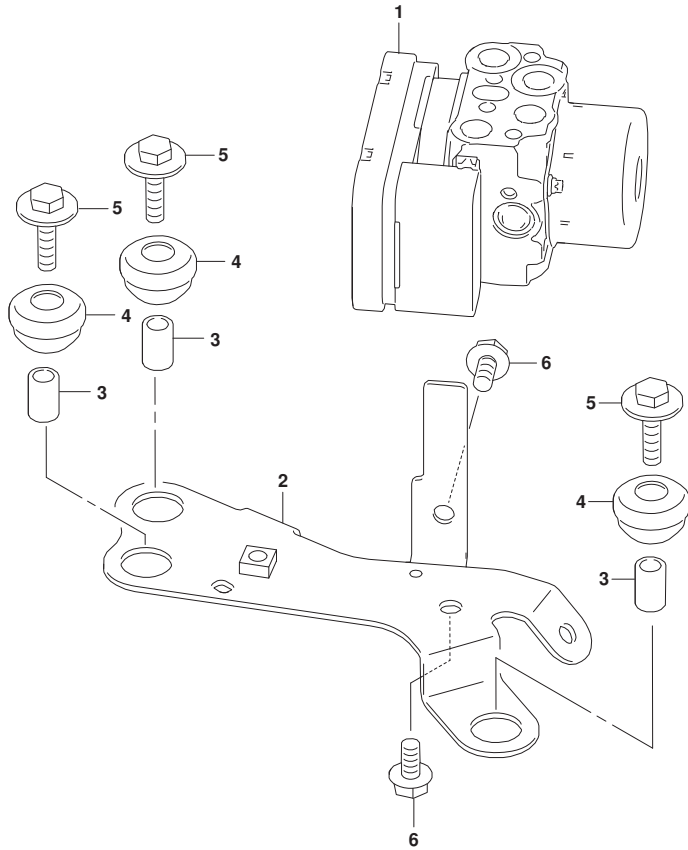


FIG.533A (1-G-4) HYDRAULIC UNIT

REF NO.	PART NO.	DESCRIPTION	Q'TY	REMARKS
1	55610-25L10	UNIT ASSY, HYDRAULIC ABS	1	
2	55650-25L00	HOLDER, HYDR UNIT ABS	1	
3	55662-10G00	SPACER, HYDR UNIT MTG (#05)	3	
4	55663-10G00	RUBBER, HYDR UNIT MTG	3	
5	09116-06150	BOLT (6X25)	3	
6	01550-0612A	BOLT	2	



FIG.535A

FIG.535A (1-G-5) FRONT CALIPER

REF NO.	PART NO.	DESCRIPTION	Q'TY	REMARKS
1	59100-26J20-999	CALIPER ASSY,FR,R	1	
2	59300-21810	.PISTON SET	1	
3	59300-21860	..SEAL SET,PISTON	1	
4	59115-21E10	.SPRING,PAD	1	
5	59382-14500	.PIN	1	
6	59386-13A00	.BOOT	1	
7	59187-21E10	.PIN	1	
8	59303-14500	.BOOT	1	
9	59145-21E10	.PIN,HANGER	1	
10	59146-08J00	.PIN PLUG	1	
11	59121-01A00	.BLEEDER	1	
12	59122-46H00	.CAP,BLEEDER	1	
13	59151-21E10	.BRACKET,R	1	
14	59101-26830	PAD SET (R)	1	
15	59300-26J20-999	CALIPER ASSY,FR,L	1	
16	59300-21810	.PISTON SET	1	
17	59300-21860	..SEAL SET,PISTON	1	
18	59115-21E10	.SPRING,PAD	1	
19	59382-14500	.PIN	1	
20	59386-13A00	.BOOT	1	
21	59187-21E10	.PIN	1	
22	59303-14500	.BOOT	1	
23	59145-21E10	.PIN,HANGER	1	
24	59146-08J00	.PIN PLUG	1	
25	59121-01A00	.BLEEDER	1	
26	59122-46H00	.CAP,BLEEDER	1	
27	59351-21E10	.BRACKET,L	1	
28	59101-26840	PAD SET (L)	1	
29	01550-0830A	BOLT	4	

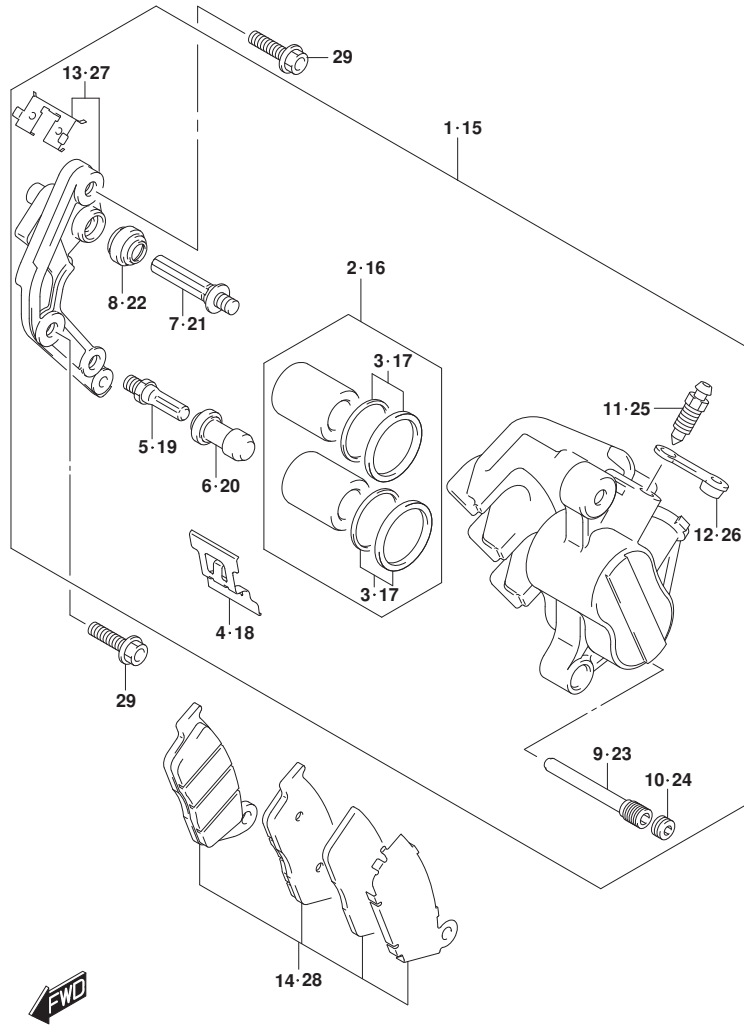


FIG.536A

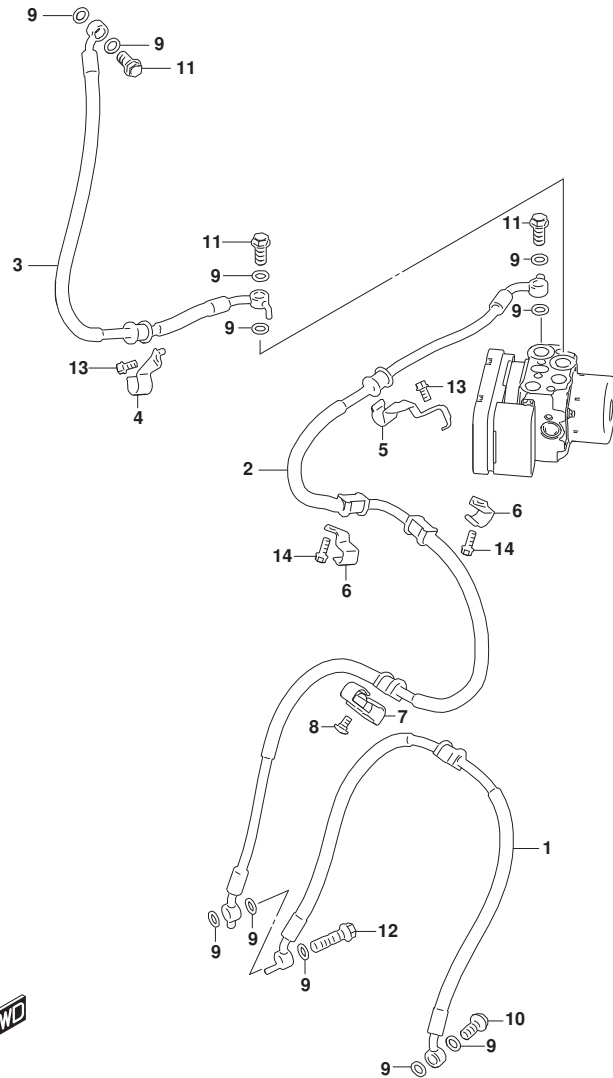


FIG.536A (1-G-6) FRONT BRAKE HOSE

REF NO.	PART NO.	DESCRIPTION	Q'TY	REMARKS
1	59240-25L30	HOSE,BK CLPR R TO CLPR L	1	
2	59440-25L30	HOSE,UNIT TO FR BK CLPR	1	
3	59480-25L30	HOSE,FR BK MASTER TO UNIT	1	
4	59261-25L30	CLAMP,BRAKE HOSE UPPER	1	
5	59263-25L30	CLAMP,FR BRAKE HOSE NO.1	1	
6	59264-25L30	CLAMP,FR BRAKE HOSE NO.2	2	
7	59270-25L30	CLAMP,BRAKE HOSE	1	
8	09139-06144	SCREW (6X12)	1	
9	09161-10009	WASHER (10X15X1.5)	11	
10	09360-10042	UNION (10X1.25X22)	1	
11	09360-10062	UNION (10X1.25X22)	3	
12	09360-10064	UNION (10X1.25X36)	1	
13	01547-0616B	BOLT	2	
14	01547-0612A	BOLT	2	

FIG.537A

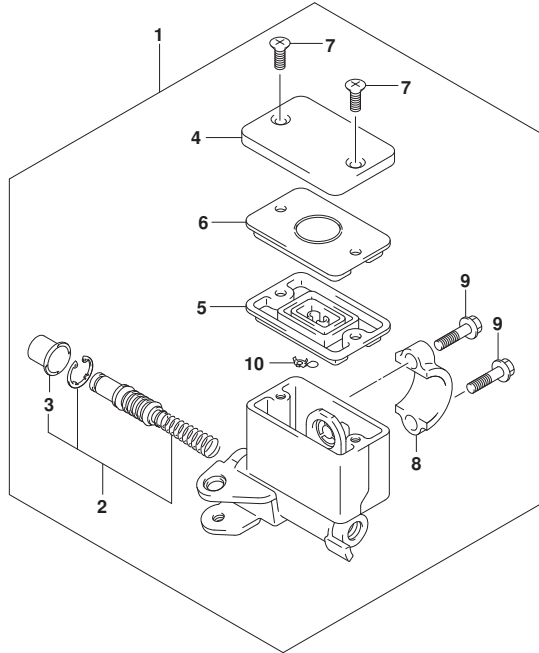


FIG.537A (1-G-7) FRONT MASTER CYLINDER

REF NO.	PART NO.	DESCRIPTION	Q'TY	REMARKS
1	59600-13G10	CYLINDER ASSY,FR MASTER	1	
2	59600-04810	.PISTON/CUP SET	1	
3	59666-44300	..BOOT	1	
4	59669-10G20	.CAP	1	
5	59667-49460	.DIAPHRAGM	1	
6	59668-41C00	.PLATE,DIAPHRAGM	1	
7	69689-49300	.SCREW	2	
8	59671-32F00	.HOLDER	1	
9	59675-02FA0	.BOLT (6X22)	2	
10	59664-32F00	.PROTECTOR	1	



FIG.541A

FIG.541A (1-G-8) REAR SWINGARM

REF NO.	PART NO.	DESCRIPTION	Q'TY	REMARKS
1	61100-25LA0	SWINGINGARM,REAR	1	
2	61124-44G00	PLATE,RR SWGARM BRKT	1	
3	61282-25L00	SPACER,RR SWGARM PIVOT CTR	1	
4	09122-66010	SCREW	1	
5	09263-25073	BEARING (25X33X35)	2	
6	61211-31E00	SHAFT,RR SWINGINGARM PIVOT	1	
7	61251-31E00	SPACER,PIVOT BEARING	2	
8	61273-25LB0	BUFFER,CHAIN TOUCH DEFENSE	1	
9	09111-06072	BOLT (6X17.8)	1	
10	09116-06205	BOLT (6X16)	1	
11	09159-18007	NUT	1	
12	09160-18030	WASHER (18.5X28X2.6)	1	
13	61310-25L00	CASE,CHAIN	1	
14	09139-06225	BOLT (6X12)	2	
15	61445-28H11	WASHER,CHAIN ADJUSTER RH	1	
16	61446-35G01	WASHER,CHAIN ADJUSTER LH	1	
17	09100-08287	BOLT (8X50)	2	
18	08316-1008A	NUT	2	

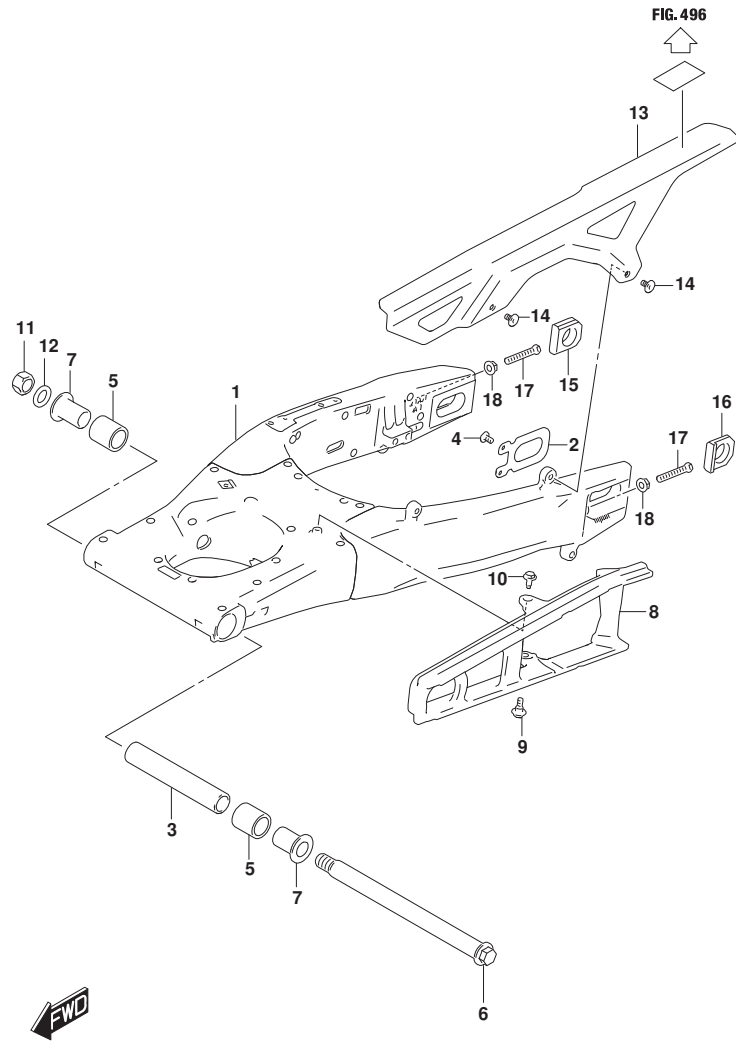




FIG.543A

FIG.543A (1-G-9) REAR CUSHION LEVER

REF NO.	PART NO.	DESCRIPTION	Q'TY	REMARKS
1	62600-25810	LEVER SET,REAR CUSHION	1	
2	09263-17059	.BEARING	3	
3	09263-20053	.BEARING (20X27X25)	1	
4	09285-17007	.SEAL,OIL (17X24X3)	4	
5	09285-20005	.SEAL,OIL (20X27X5)	2	
6	62600-25820	ROD SET,RR CUSHION	1	
7	09263-17059	.BEARING	2	
8	09285-17007	.SEAL,OIL (17X24X3)	2	
9	09180-12163	.SPACER	1	
10	62646-37F10	SPACER,RR CUSHION LEVER LWR	1	
11	62658-37F10	BOLT,RR CUSHION LEVER UPR	1	
12	62684-40A10	SPACER,RR CUSHION LEVER (10X17 X30)	1	
13	09103-12031	BOLT (L:155)	1	
14	09103-12142	BOLT	1	
15	09159-12056	NUT	3	
16	09180-12162	SPACER	1	

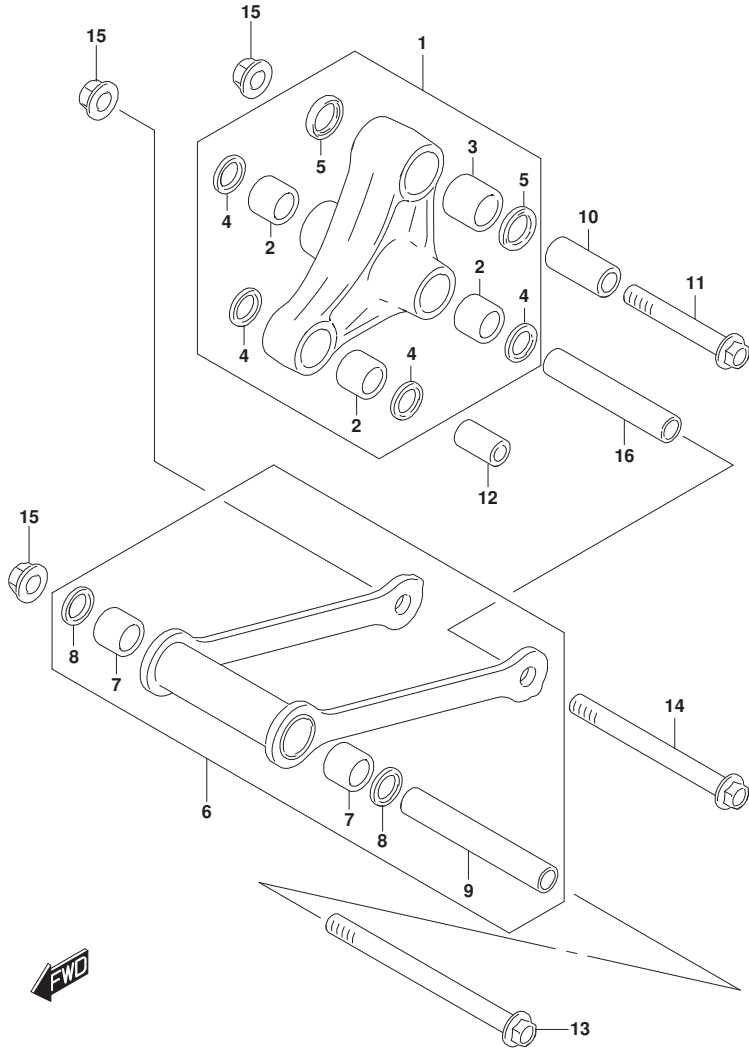


FIG.545A

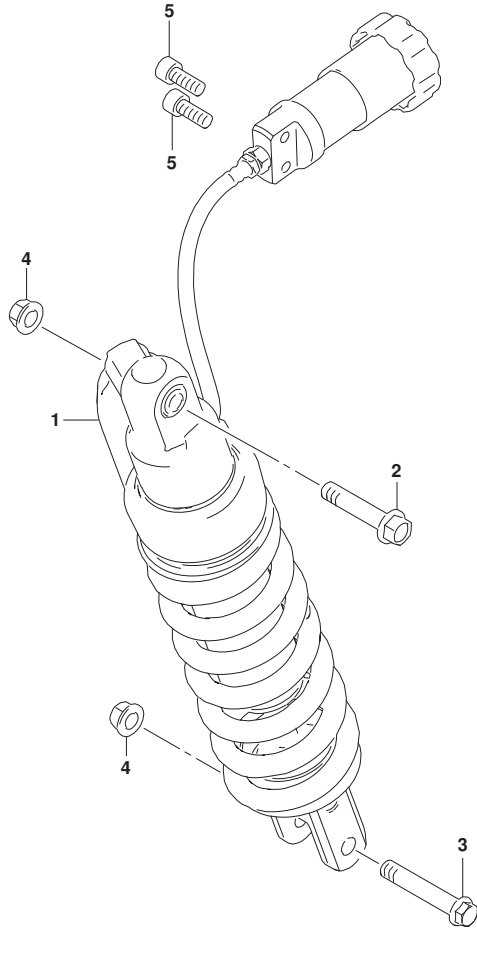


FIG.545A (1-G-10) REAR SHOCK ABSORBER

REF NO.	PART NO.	DESCRIPTION	QTY	REMARKS
1	62100-25L60-17U	ABSORBER ASSY,REAR SHOCK (GRAY )	1	
2	09103-10064	BOLT (10X50)	1	
3	09103-10428	BOLT (10X58)	1	
4	09159-10115	NUT (M10)	2	
5	07130-0820B	BOLT	2	

FIG.550A

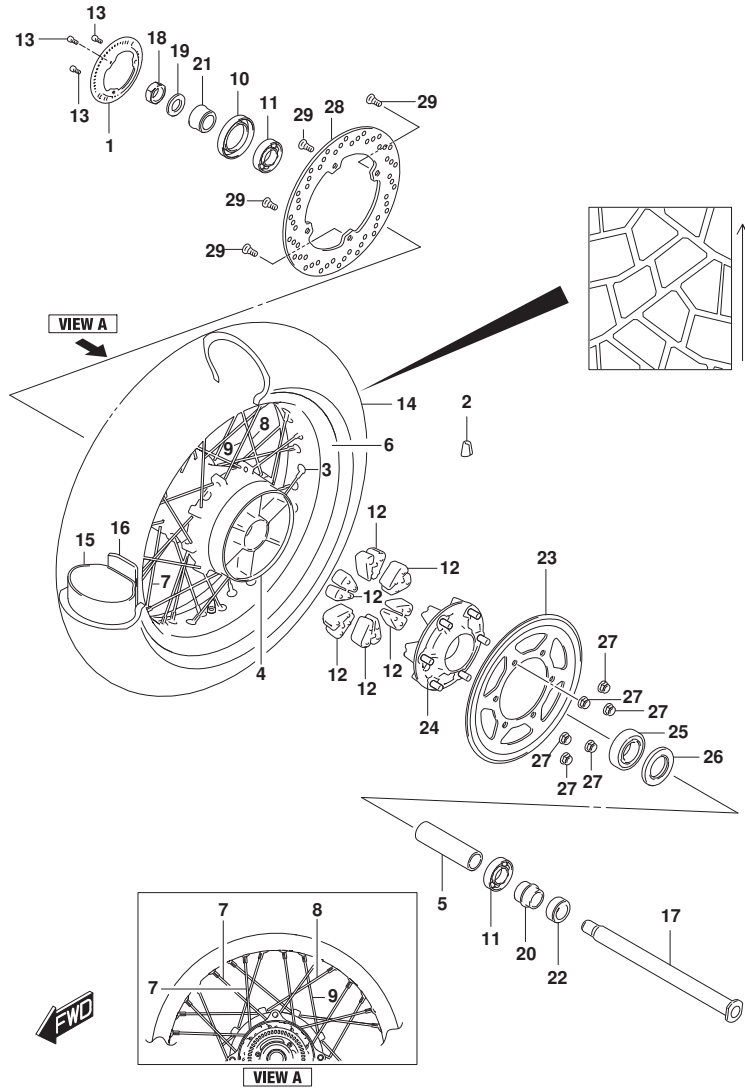


FIG.550A (1-G-11) REAR WHEEL

REF NO.	PART NO.	DESCRIPTION	Q'TY	REMARKS
1	54162-28K00	RING,SPEED SENSOR (50T)	1	
2	55412-41F00	BALANCER,WHEEL (20G)	1	
3	55326-25L00	NIPPLE,WHEEL	36	
4	64111-25L20	HUB,REAR	1	
5	64731-25L00	SPACER,REAR WHEEL BEARING	1	
6	65311-25L00	RIM,RR WHEEL	1	GOLD
7	65321-25L00	SPOKE,REAR WHEEL,R	18	
8	65323-25L00	SPOKE,REAR WHEEL INNER,L	9	
9	65324-25L00	SPOKE,REAR WHEEL OUTER,L	9	
10	09284-37002	SEAL,OIL (37X52X8)	1	
11	08123-6205B	BEARING	2	
12	64651-47H10	ABSORBER,RR HUB SHOCK	6	
13	07130-0512A	BOLT	3	
14	65110-25L30	TIRE,REAR	1	
15	65200-25L00	TUBE ASSY,WHEEL INNER	1	
16	65261-25L00	PROTECTOR,WHEEL INNER TUBE	1	
17	64711-25L00	AXLE,REAR	1	
18	64721-13K00	NUT	1	
19	64723-25L00	WASHER,REAR AXLE	1	
20	64733-44G00	RETAINER,RR SPROCKET DRUM	1	
21	64741-25L00	SPACER,REAR AXLE,R	1	
22	64751-44G00	SPACER,RR AXLE,L	1	
23	64511-25L20	SPROCKET,REAR	1	
24	64610-47H00	DRUM,RR SPROCKET	1	
25	09262-32024	BEARING (32X65X17)	1	
26	09285-39001	SEAL,OIL (39X65X7)	1	
27	08319-3110A	NUT	6	
28	69211-06L10	DISC,REAR BRAKE	1	
29	09106-08160	BOLT (8X21)	4	

FIG.555A

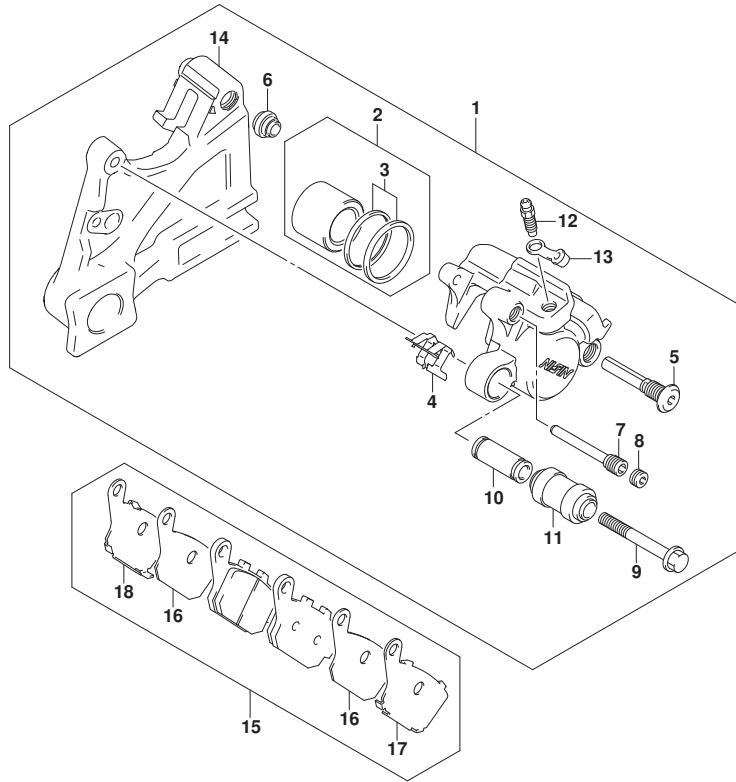


FIG.555A (1-G-12) REAR CALIPER

REF NO.	PART NO.	DESCRIPTION	Q'TY	REMARKS
1	69100-25L30-999	CALIPER ASSY,RR	1	
2	69100-04810	.PISTON SET	1	
3	69100-04820	..SEAL SET,PISTON	1	
4	69115-04F00	.SPRING,PAD	1	
5	59305-36E00	.PIN,BOLT	1	
6	59303-14500	.BOOT	1	
7	69141-40F00	.PIN,PAD	1	
8	59146-08J00	.PIN PLUG	1	
9	69182-04F00	.BOLT	1	
10	69185-04F00	.SLEEVE	1	
11	69186-04F00	.BOOT,SLEEVE	1	
12	59121-01A00	.BLEEDER	1	
13	59122-46H00	.CAP,BLEEDER	1	
14	69150-25L00	.BRACKET	1	
15	69100-08850	PAD & RETAINER SET	1	
16	69132-08J00	.INSULATOR	2	
17	69133-06G00	.RETAINER	1	
18	69134-06G00	.RETAINER	1	

FIG.557A

FIG.557A (1-G-13) REAR BRAKE HOSE

REF NO.	PART NO.	DESCRIPTION	Q'TY	REMARKS
1	61196-44H00	GUIDE,RR BRAKE HOSE	2	
2	69200-25L00	HOSE ASSY,RR BK MASTER TO UNIT	1	
3	69261-25L00	CLAMP,RR BRAKE HOSE	1	
4	69268-25L30	CLAMP,RR BRAKE HOSE	1	
5	69400-25L30	HOSE ASSY,UNIT TO RR BK CLPR	1	
6	69486-31J00	WASHER,REAR BRAKE HOSE GUIDE	2	
7	09161-10009	WASHER (10X15X1.5)	4	
8	09360-10062	UNION (10X1.25X22)	2	
9	09403-07344	CLAMP	2	
10	01547-0612A	BOLT	1	
11	01547-0630A	BOLT	1	
12	01550-0612A	BOLT	1	
13	02142-0616B	SCREW	2	

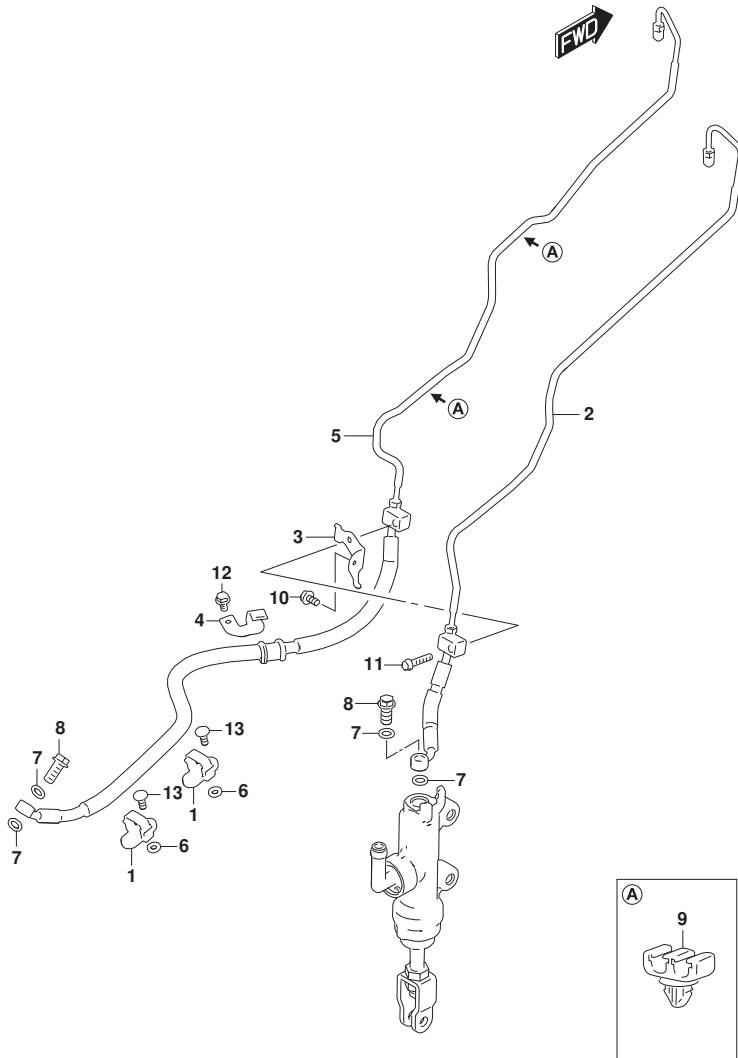


FIG.558A

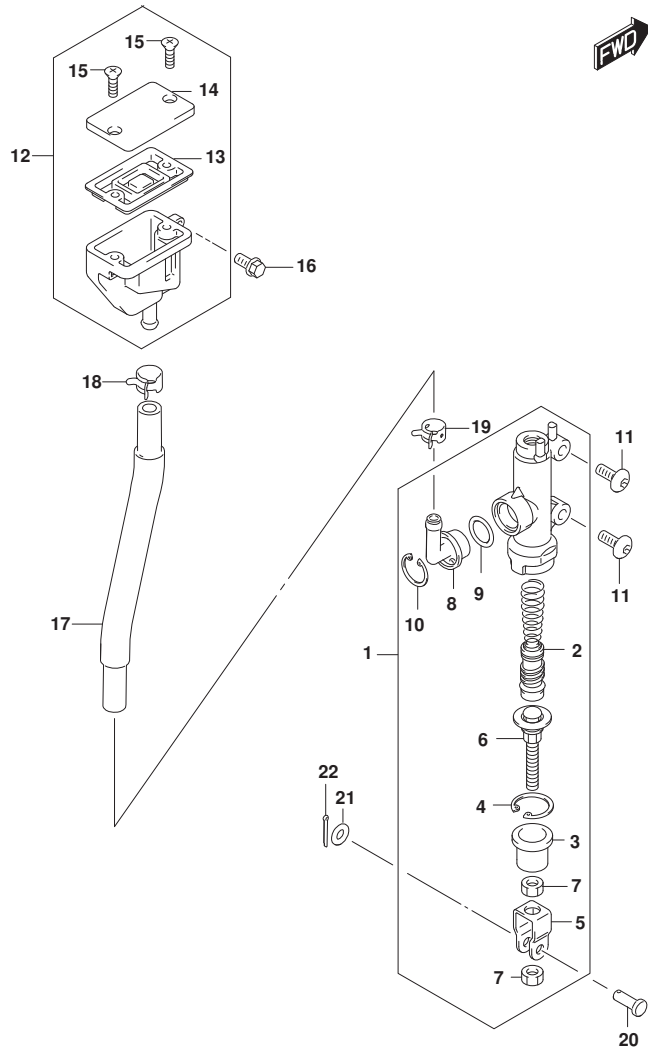


FIG.558A (1-G-14) REAR MASTER CYLINDER

REF NO.	PART NO.	DESCRIPTION	Q'TY	REMARKS
1	69600-47H10	CYLINDER ASSY,RR MASTER	1	
2	69600-34810	.PISTON/CUP SET	1	
3	69691-00A00	.BOOT	1	
4	69665-47H00	.CIRCLIP	1	
5	69692-44H00	.YOKE	1	
6	69670-40A00	.ROD,PUSH	1	
7	69693-05A00	.NUT	2	
8	69672-00B20	.CONNECTOR	1	
9	69686-34200	.O-RING	1	
10	69674-00B20	.CIRCLIP	1	
11	09139-06139	SCREW (6X16)	2	
12	69740-01D02	TANK ASSY,RR RESERVOIR	1	
13	59667-04700	.DIAPHRAGM	1	
14	59669-05D00	.CAP	1	
15	69689-04A00	.SCREW	2	
16	01547-0612A	BOLT	1	
17	69730-25L30	HOSE,RR RESERVOIR TANK	1	
18	09401-13417	CLIP (ID:13.2)	1	
19	09401-12404	CLIP (ID:12)	1	
20	09200-06037	PIN (6X17.7)	1	
21	08322-0106A	WASHER	1	
22	04111-2015A	PIN	1	













## **SUZUKI DL800DERCM4 PARTS CATALOGUE**

---

SUZUKI MOTOR CORPORATION All rights reserved

No part of this document may be reproduced or transmitted in any form or by any means, electronic or mechanical, for any purpose, without the express written permission of Suzuki Motor Corporation.

SUZUKI MOTOR CORPORATION

Service Material Development Group, Automobile & Motorcycle Service Engineering Dept.  
300 Takatsuka, Minami, Hamamatsu, Japan

**SUZUKI MOTOR CORPORATION**