



SUZUKI ***FXR*** **150**

PARTS CATALOGUE

1997

44492

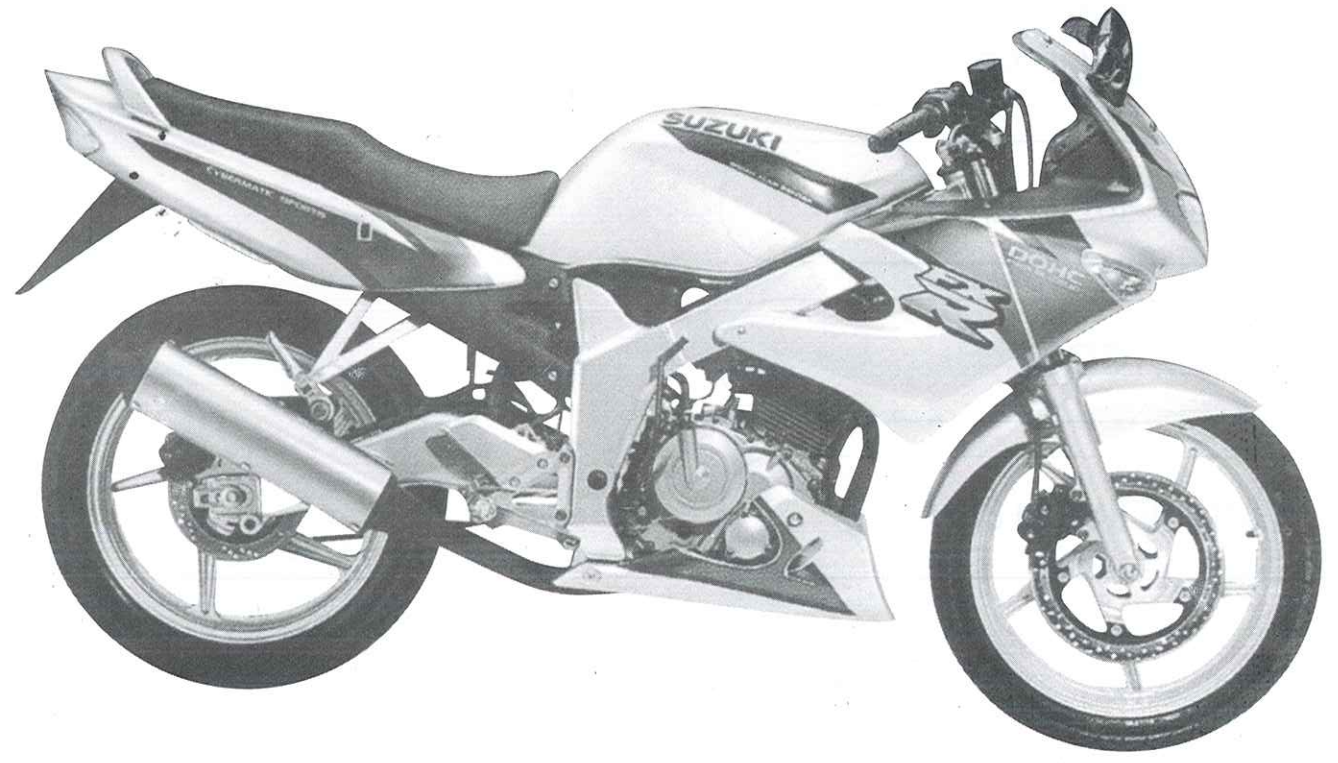


FIG. 1

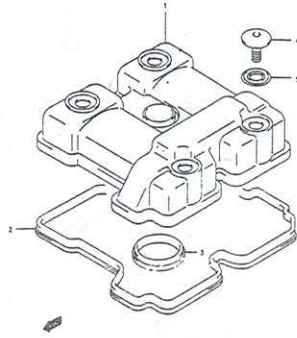


FIG. 2

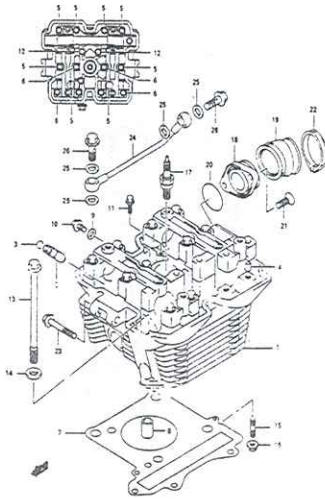


FIG. 3

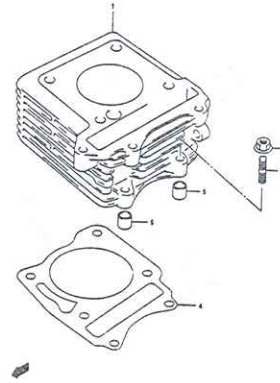


FIG. 4

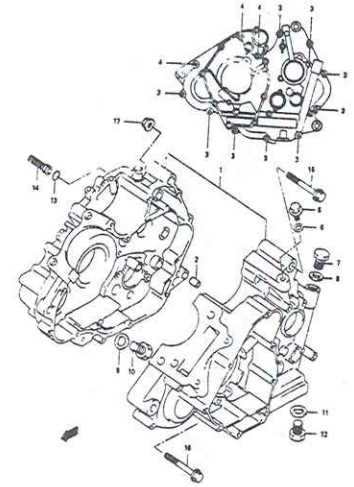


FIG. 5

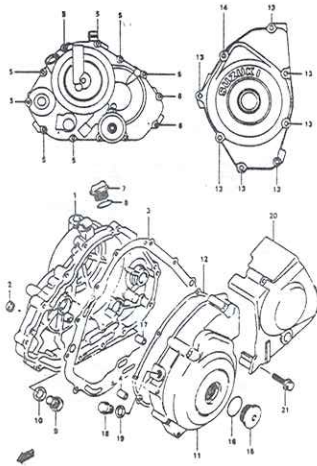


FIG. 6

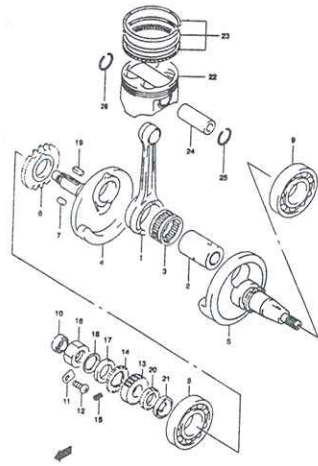


FIG. 7

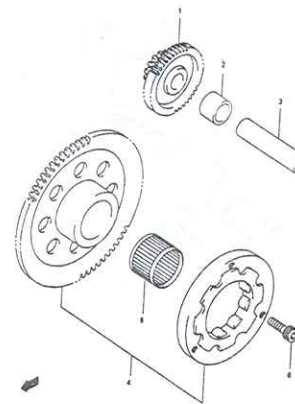


FIG. 8

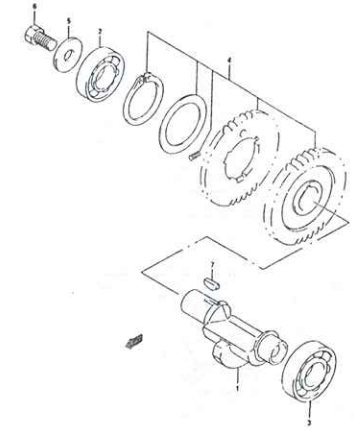


FIG. 9

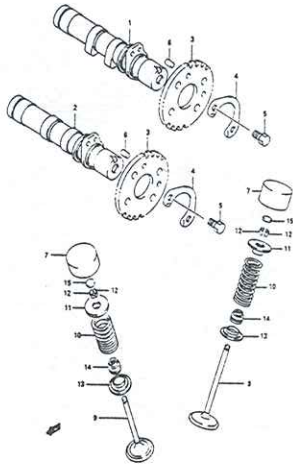


FIG. 9

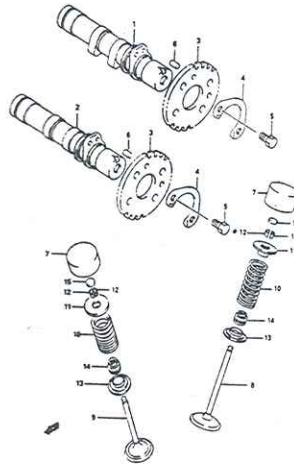


FIG. 10

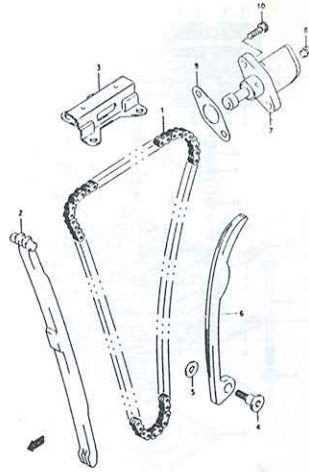


FIG. 11

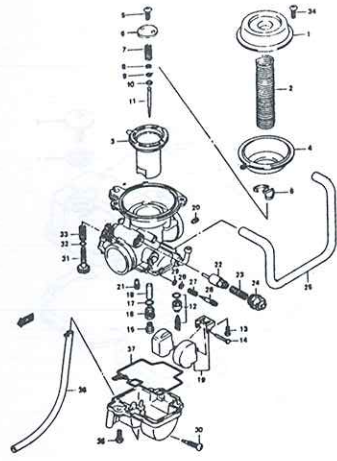


FIG. 11

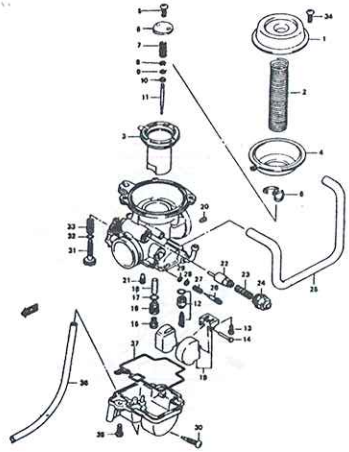


FIG. 12

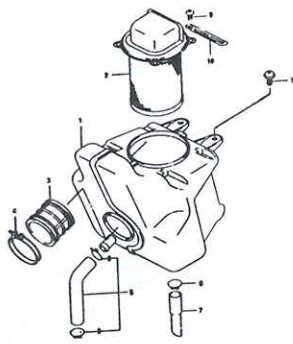


FIG. 13

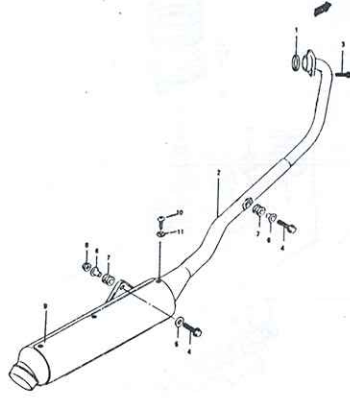


FIG. 14

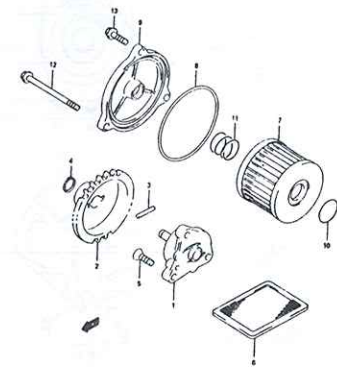


FIG. 11

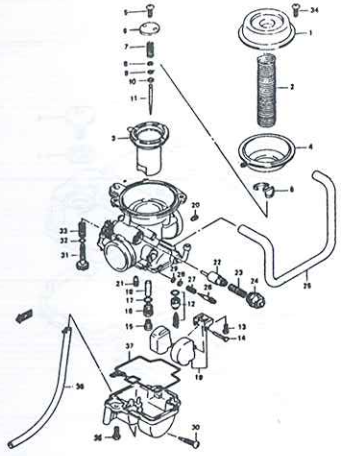


FIG. 15

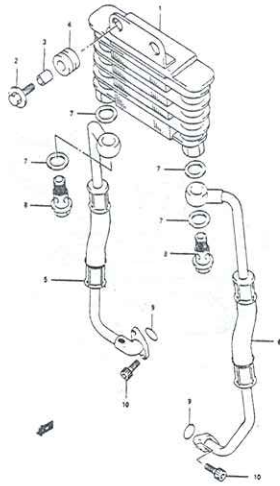


FIG. 16

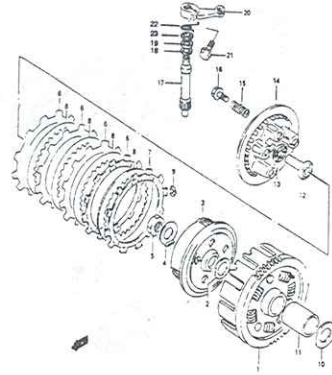


FIG. 17

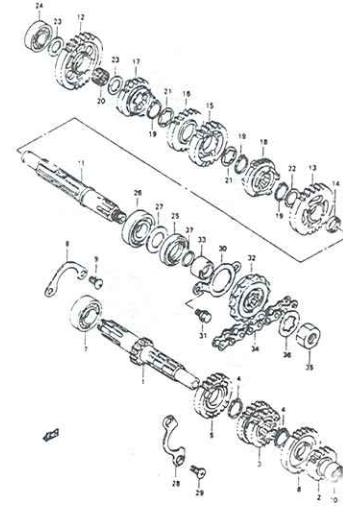


FIG. 17

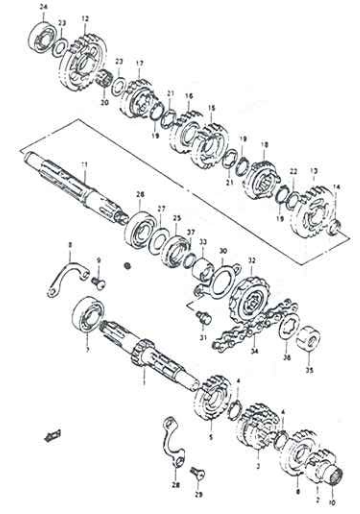


FIG. 14

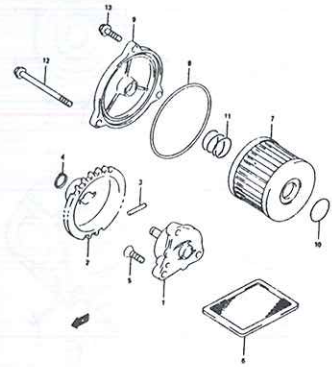


FIG. 18

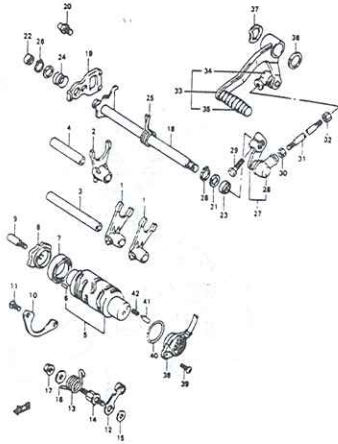


FIG. 19

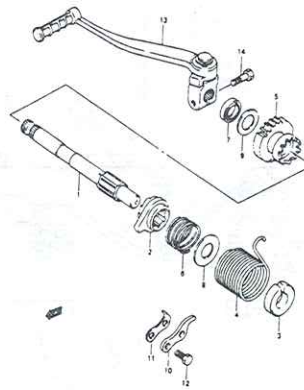


FIG. 20

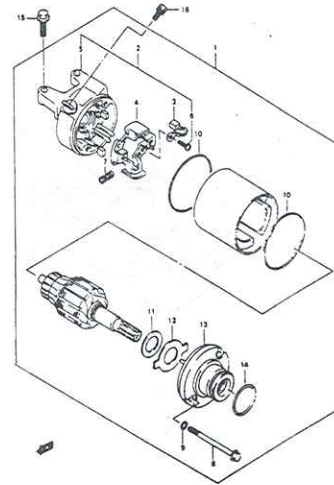


FIG. 21

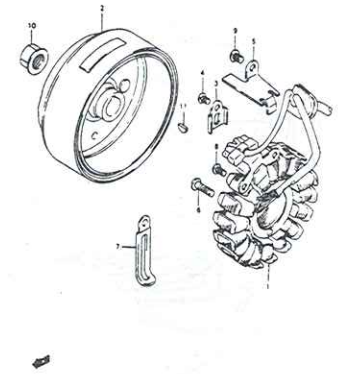


FIG. 22

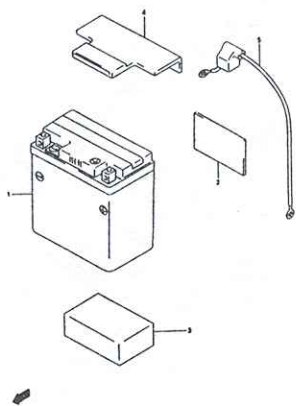


FIG. 23

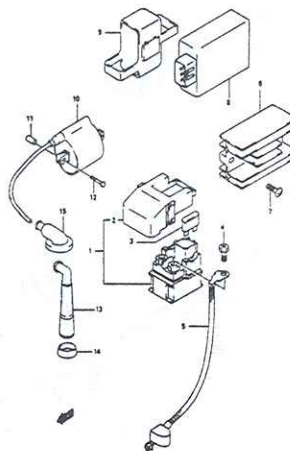


FIG. 24

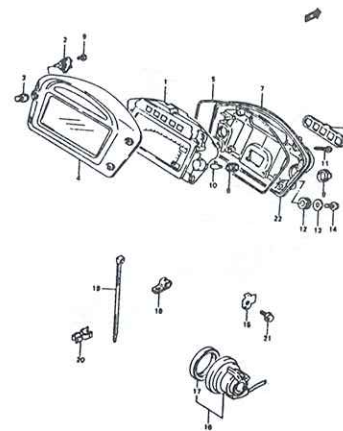


FIG. 25

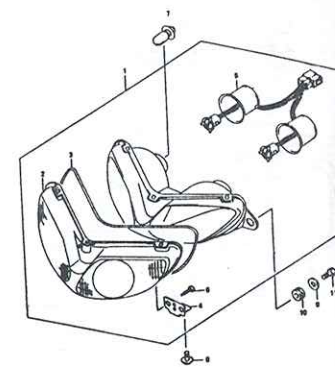


FIG. 26

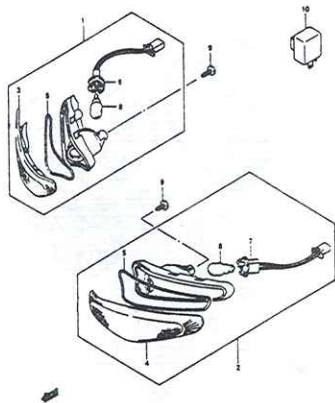


FIG. 27

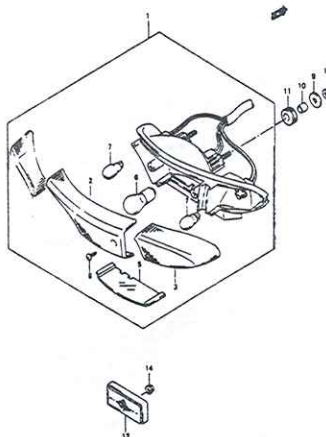


FIG. 28

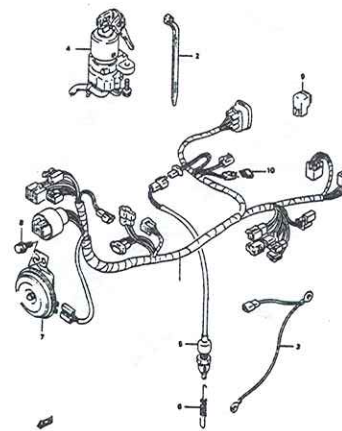


FIG. 29

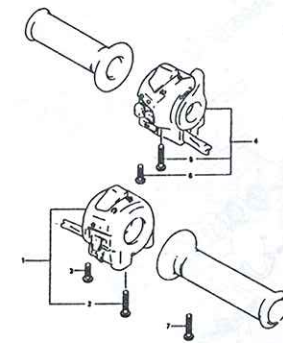


FIG. 25

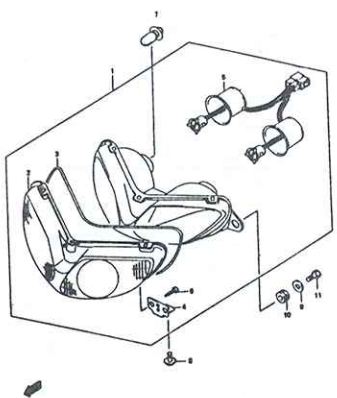


FIG. 30

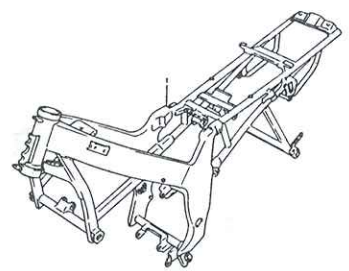


FIG. 31

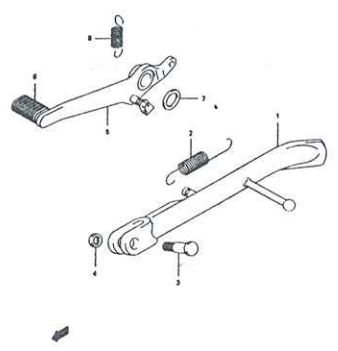


FIG. 32

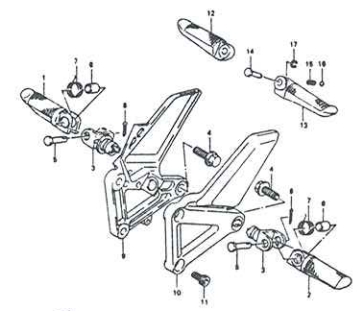


FIG. 33

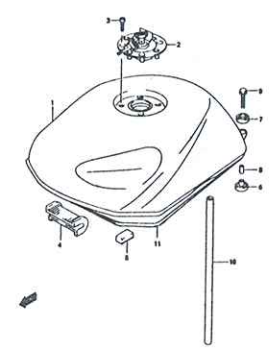


FIG. 29

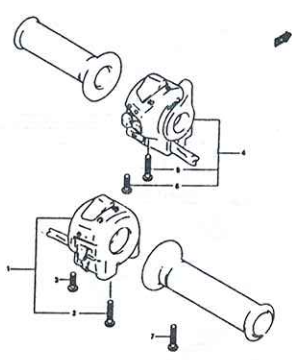


FIG. 34

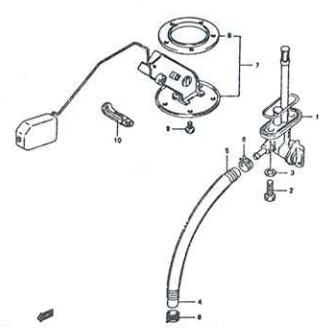


FIG. 35

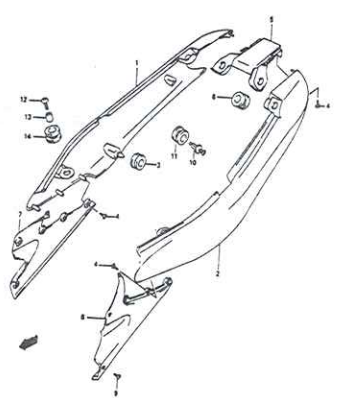


FIG. 36

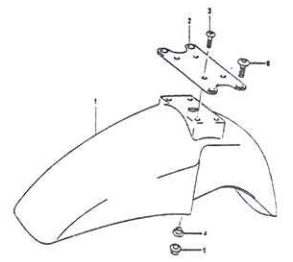


FIG. 37

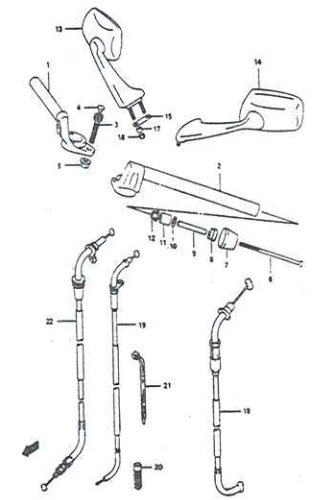


FIG. 38

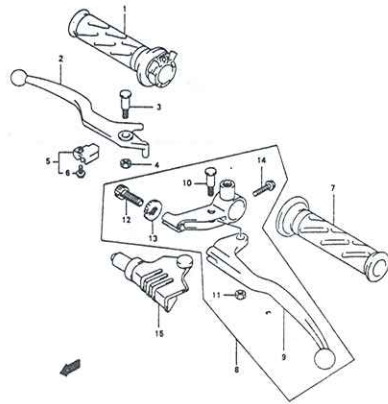


FIG. 39

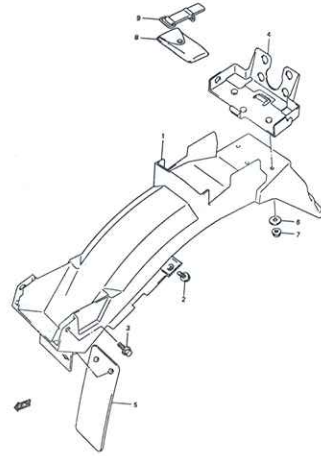


FIG.40

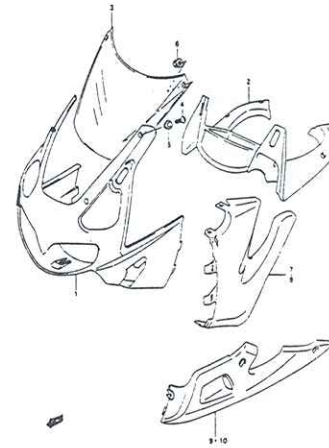


FIG. 41

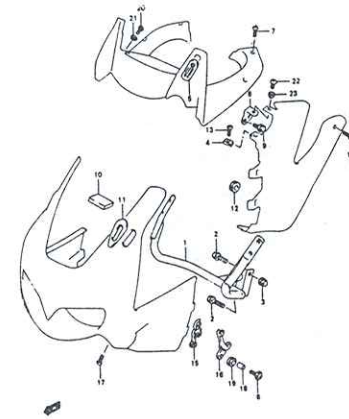


FIG. 42

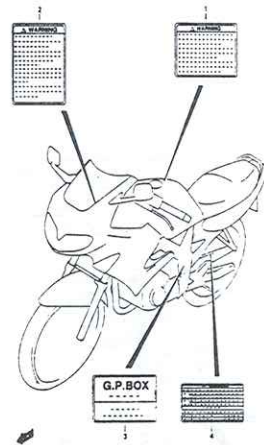


FIG. 43

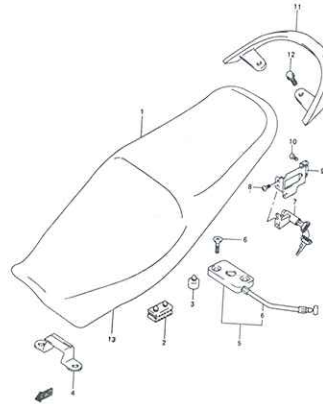


FIG. 44

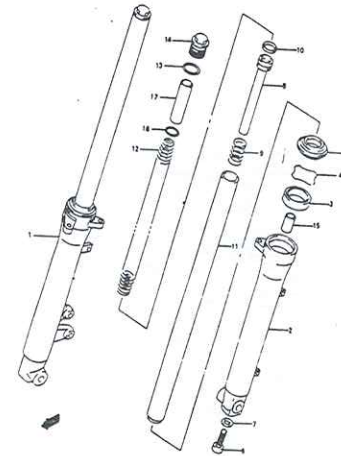


FIG. 45

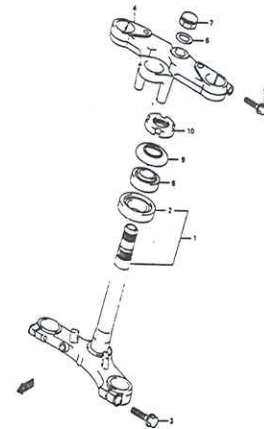


FIG. 41

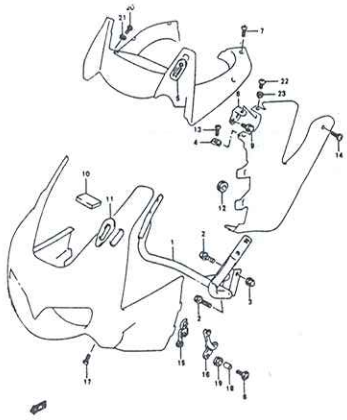


FIG. 46

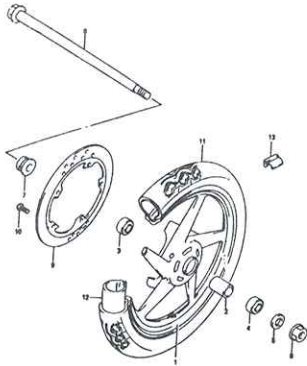


FIG. 47

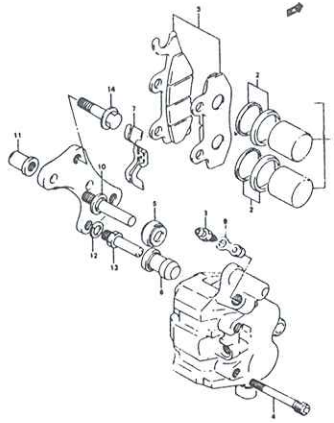


FIG. 48

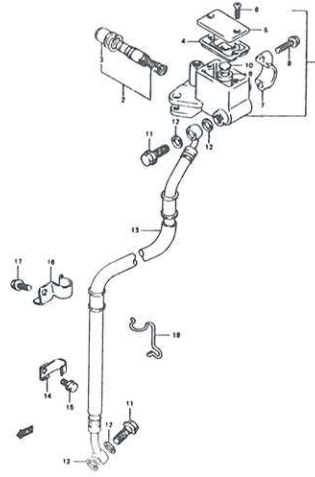


FIG. 49

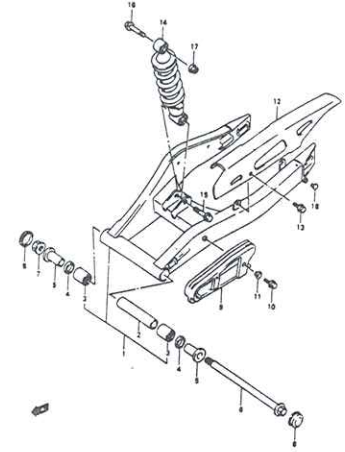


FIG. 45

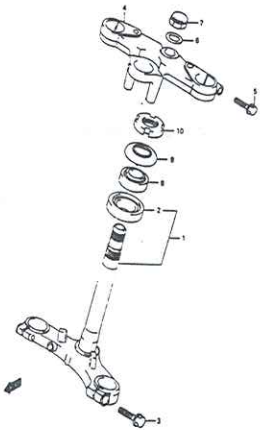


FIG. 50

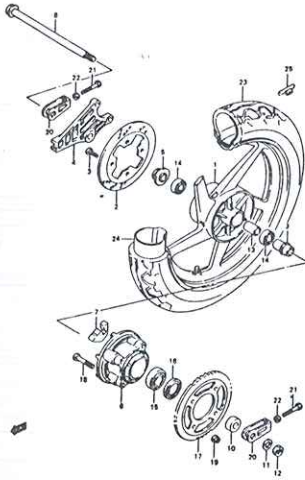


FIG. 51

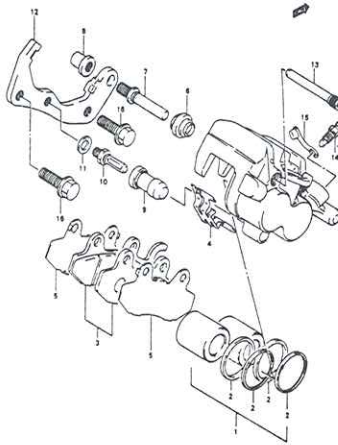


FIG. 52

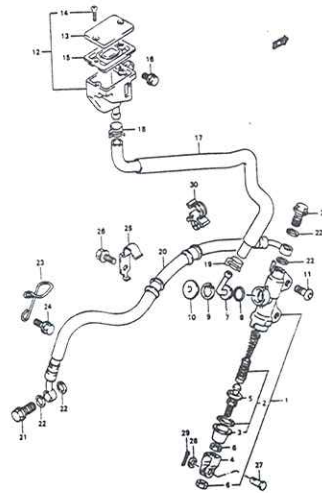


FIG. 53

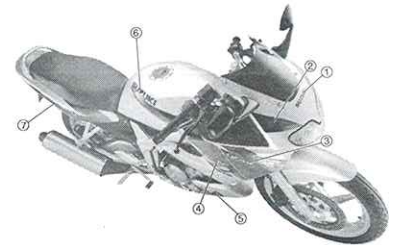


FIG. 1

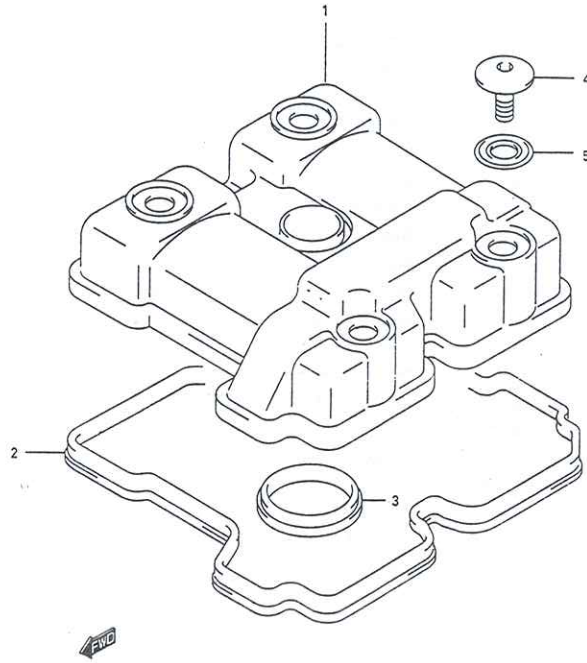


FIG. 1 (B-2) CYLINDER HEAD COVER

REF NO.	PART NO.	DESCRIPTION	Q'TY	REMARKS
1	11171M47E00	COVER, cylinder head	1	
2	11173-35C00	GASKET, cylinder head cover	1	
3	11178-17E00	GASKET	1	
4	09106-07009	BOLT (7x7.5)	4	
5	09161-11008	WASHER (10.6x25.5x1.6)	4	

FIG. 2

2

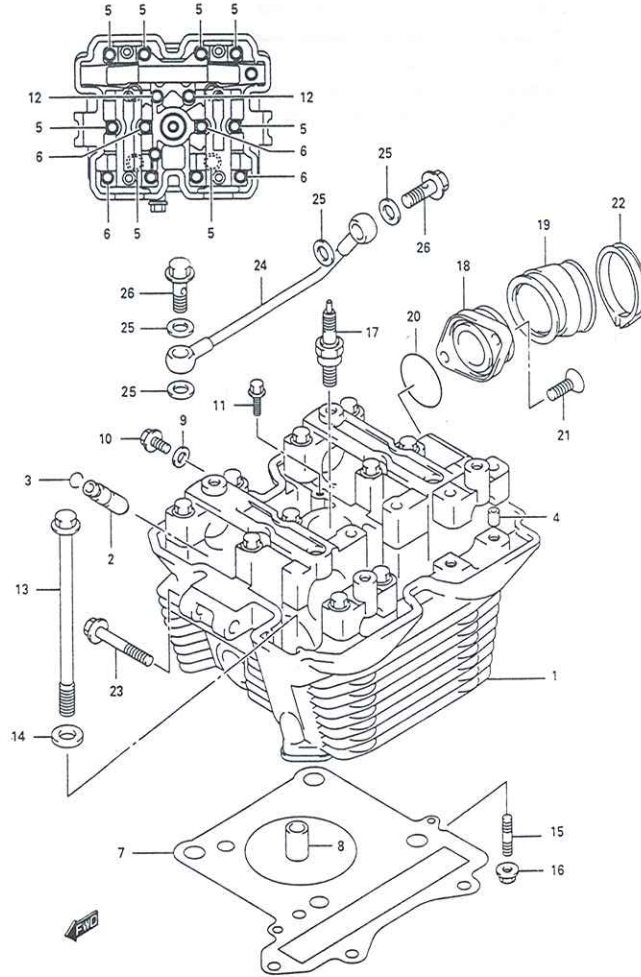


FIG. 2 (B-3) CYLINDER HEAD

REF. NO.	PART NO.	DESCRIPTION	Q'TY	REMARKS
1	11100M47E00	HEAD ASSY, cylinder	1	
2	11115-33D71	.GUIDE, valve	4	
3	09381-10004	.SNAP RING	4	
4	09206-08001	.PIN (6.2x8x11)	8	
5	09103-06132	.BOLT (6x41)	8	
6	09103-06108	.BOLT (6x35)	4	
7	11141-05F00	GASKET, cylinder head	1	
8	04211-11169	.PIN	2	
9	09168-06004	GASKET (6.2x11x1.2)	1	
10	01550-06123	BOLT	1	
11	01550-06123	BOLT	1	
12	09103-06108	BOLT (6x35)	2	
13	09103-08305	BOLT (8x140)	4	
14	09168-08021	GASKET (8.5x17x2.3)	4	
15	01421-06253	BOLT	3	
16	08316-10063	NUT	3	
17	09482M00456	SPARK PLUG	1	
18	13111M05F00	PIPE, intake no. 1	1	
19	13121-05F00	PIPE, intake no. 2	1	
20	09280-35001	.O RING (D: 1.9, ID: 34.6)	1	
21	02112-06163	SCREW	2	
22	09402-46208	CLAMP	1	
23	09103-08289	BOLT (8x50)	1	
24	11280-47E00	PIPE, head oil	1	
25	09168-10012	GASKET	4	
26	09360-10047	UNION BOLT	2	

FIG. 3

Q'TY	REMARKS
1	
4	
4	
8	
8	
4	
1	
2	
1	
1	
1	
2	
4	
4	
3	
3	
1	
1	
1	
1	
1	
1	
4	
2	

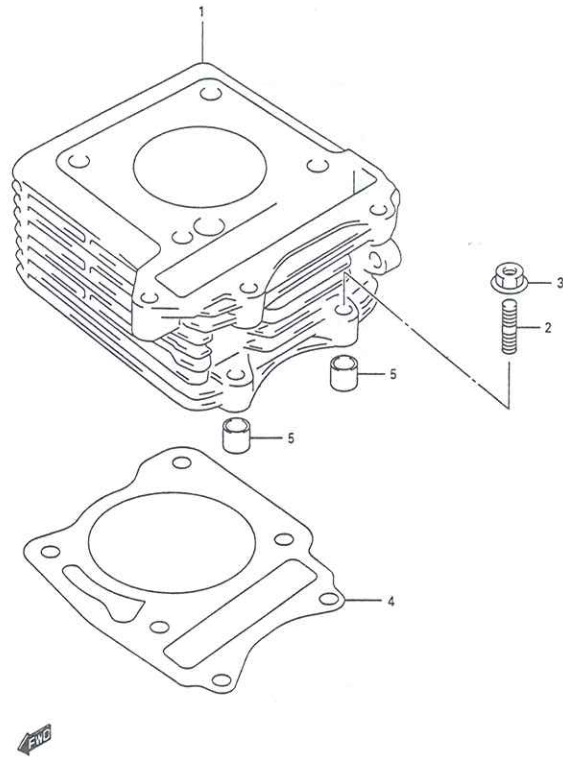


FIG. 3 (B-4) CYLINDER

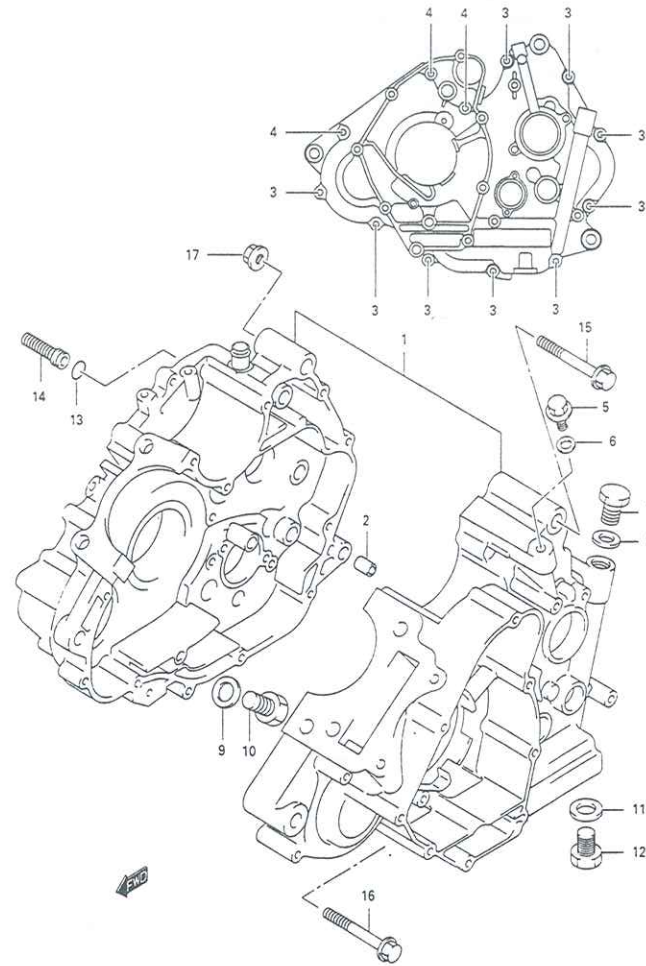
REF. NO.	PART NO.	DESCRIPTION	Q'TY	REMARKS
1	11210M05F00-0F0	CYLINDER	1	
2	01421-06253	STUD BOLT	2	
3	08316-10063	NUT	2	
4	11241M35C00	GASKET, cylinder	1	
5	04211-11129	PIN	2	

2

FXR150

2

FIG. 4



FXR150

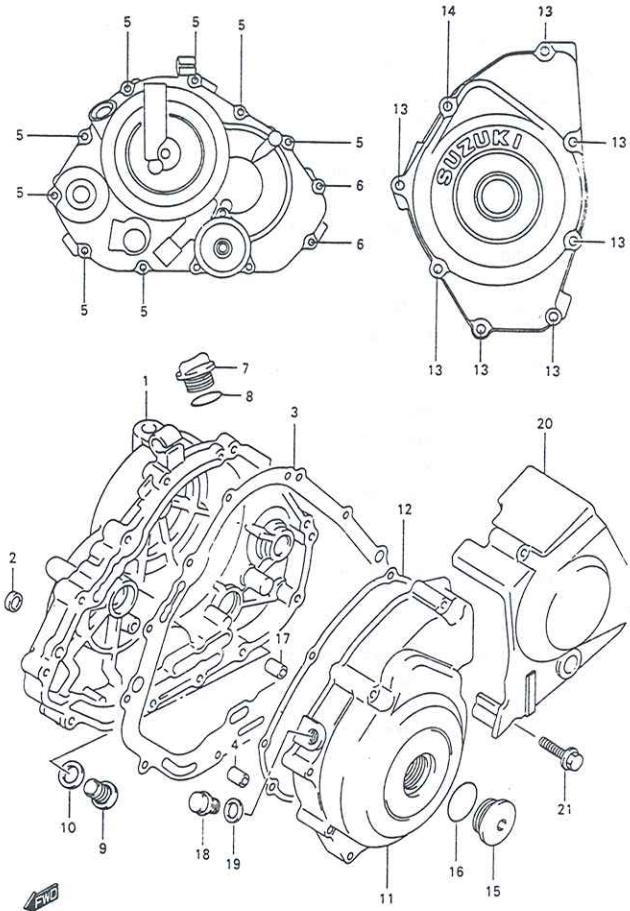
FIG. 4 (B-5) CRANKCASE

REF. NO.	PART NO.	DESCRIPTION	Q'TY	REMARKS
1	11300M05F10	CRANKCASE ASSY	1	
2	04211-13189	.PIN	2	
3-1	01547-06403	.BOLT (GREEN)	8	
3-2	01547-06407	.BOLT (CHROME)	1	
4	01547-06653	.BOLT	3	
5	09247-12103	.PLUG, breather	1	
6	09168-12002	.GASKET	1	
7	01550-06123	.PLUG, oil gallery mission	1	
8	09168-06004	.GASKET	1	
9	09168-12002	.GASKET (12.1x16.2x1.2)	1	
10	09247-12103	.PLUG	1	
11	09168-12002	GASKET (12.1x16.2x3.7)	1	
12	09247-12106	PLUG	1	
13	09280-04004	O RING (D:1.2, ID: 4.0)	1	
14	09493-24012	JET	1	
15	09103-10052	BOLT (10x120)	1	
16	09103-10148	BOLT (10x10)	1	
17	08319-31107	NUT	2	

QTY REMARKS

1
2
8
1
3
1
1
1
1
1
1
1
1
1
1
1
1
1
1
1
2

FIG. 5



FXR150

FIG. 5 (B-6) CRANKCASE COVER

REF. NO.	PART NO.	DESCRIPTION	QTY	REMARKS
1	11340M05F00	COVER, clutch	1	
2	11971-45010	.LENS, oil level check	1	
3	11482M47E00	GASKET, clutch cover	1	
4	04211-09149	PIN	2	
5	01547-06303	BOLT	8	
6	01547-06403	BOLT	2	
7	09259-20008	PLUG (20x10)	1	
8	09280-17003	O RING (D: 3.1, ID: 16.8)	1	
9	09248-14005	PLUG	1	
10	09168-14002	GASKET (13.8x18.8x0.4)	1	
11	11351M47E00	COVER, magneto	1	
12	11483M47E00	GASKET, magneto cover	1	
13	01547-06353	BOLT	7	
14	01547-06503	BOLT	1	
15	09259-26011	PLUG	1	
16	09280-22008	O RING (D: 3.1, ID: 22.7)	1	
17	04211-09149	PIN	1	
18	09247-14026	PLUG	1	
19	09168-14002	GASKET (13.8x18.8x0.4)	1	
20	11361M05F00	COVER, engine sprocket	1	
21	01547-06403	BOLT	3	

2

FIG. 6

2

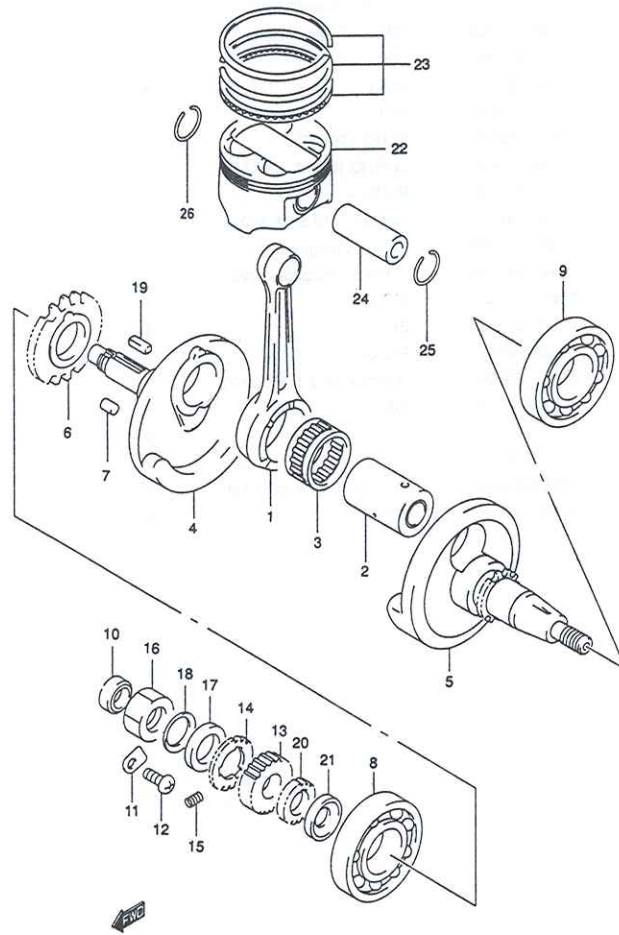


FIG. 6 (B-7) CRANKCASE

REF. NO.	PART NO.	DESCRIPTION	Q'TY	REMARKS
1	12161-05F00-0B0	.CONNECTING ROD	1	
2	12210-05F00	.PIN, crank	1	
3	09263-30048-0B0	.BEARING	1	
4	12220-05F00	.CRANKSHAFT, RH	1	
5	12261-05F00	.CRANKSHAFT, LH	1	
6	12661-47E00	GEAR, crank balancer drive (NT:37)	1	
7	04221-08129	PIN	1	
8	09262-28035	BEARING (28x68x17)	1	RH
9	09262-35038	BEARING (35x72x17)	1	LH
10	09282-12009	OIL SEAL (12x12x17)	1	
11	24742-18A00	RETAINER, bearing	1	
12	02112-06123	SCREW	1	
13	21111-35C20	GEAR, primary drive (NT: 21)	1	
14	21112-35C00	GEAR, primary drive no. 2	1	
15	21114-35C00	SPRING, primary drive gear	2	
16	09140-16019	NUT	1	
17	09160-16003	WASHER	1	
18	09164-16005	WASHER	1	
19	09421-04004	KEY	1	
20	16321-05201	GEAR, oil pump drive	1	
21	16311-47E00	SPACER, oil pump gear	1	
22-1	12111M05F00-0F0	PISTON	1	
22-2	12111M05F00-050	PISTON (OS: 0.5)	1	OPT
22-3	12111M05F00-100	PISTON (OS: 1.0)	1	OPT
23-1	12140-05F11	RING SET, piston	1	
23-2	12140-05F11-050	RING SET, piston (OS: 0.5)	1	OPT
23-3	12140-05F11-100	RING SET, piston (OS: 1.0)	1	OPT
24	12151-43400	PIN, piston	1	
25	09381-16001	SNAP RING	2	

	Q'TY	REMARKS
OD	1	
	1	
	1	
RH	1	
LH	1	
ancer drive (NT:37)	1	
	1	
x17)	1	RH
x17)	1	LH
x17)	1	
ng	1	
	1	
drive (NT: 21)	1	
drive no. 2	1	
drive gear	2	
	1	
	1	
	1	
drive	1	
mp gear	1	
	1	
5)	1	OPT
0)	1	OPT
n	1	
n (OS: 0.5)	1	OPT
n (OS: 1.0)	1	OPT
	1	
	2	

FIG. 7

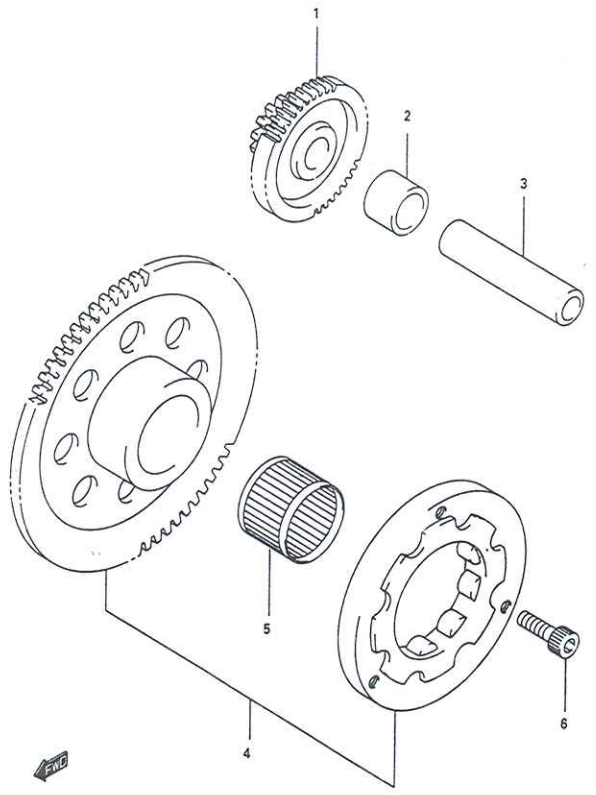


FIG. 7 (B-8) STARTER CLUTCH

REF. NO.	PART NO.	DESCRIPTION	QTY	REMARKS
1	12611-47E00	GEAR, starter idle no. 1 (NT: 15/53)	1	
2	09180-13007	SPACER	1	
3	09206-13003	PIN (13x7.4x56)	1	
4	12600-05890	CLUTCH SET, starter	1	
5	09263-22031	BEARING (22x28x16)	1	
6	07130-06163	BOLT	3	

2

FIG. 8

2

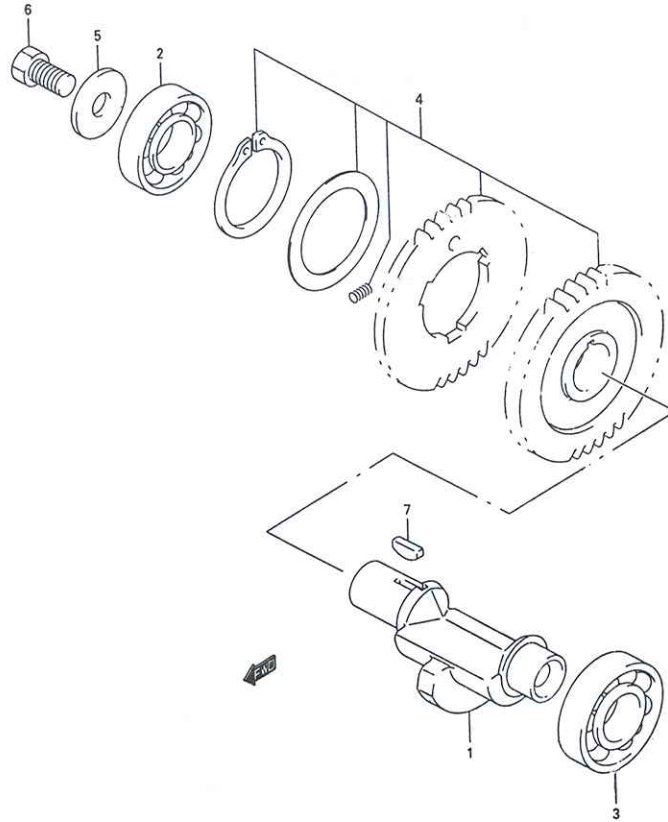


FIG. 8 (B-9) CRANK BALANCER

REF. NO.	PART NO.	DESCRIPTION	QTY	REMARKS
1	12651-05F00	BALANCER, crank	1	
2	09262-20137	BEARING (20x42x12)	1	RH
3	09262-20019	BEARING (20x47x14)	1	LH
4	12660-05850	GEAR SET, crank balancer driven	1	
5	08211-10285	WASHER	1	
6	01550-10163	BOLT	1	
7	09420-04008	KEY	1	

	QTY	REMARKS
K	1	
(x12)	1	RH
(x14)	1	LH
balancer driven	1	
	1	
	1	

FIG. 9

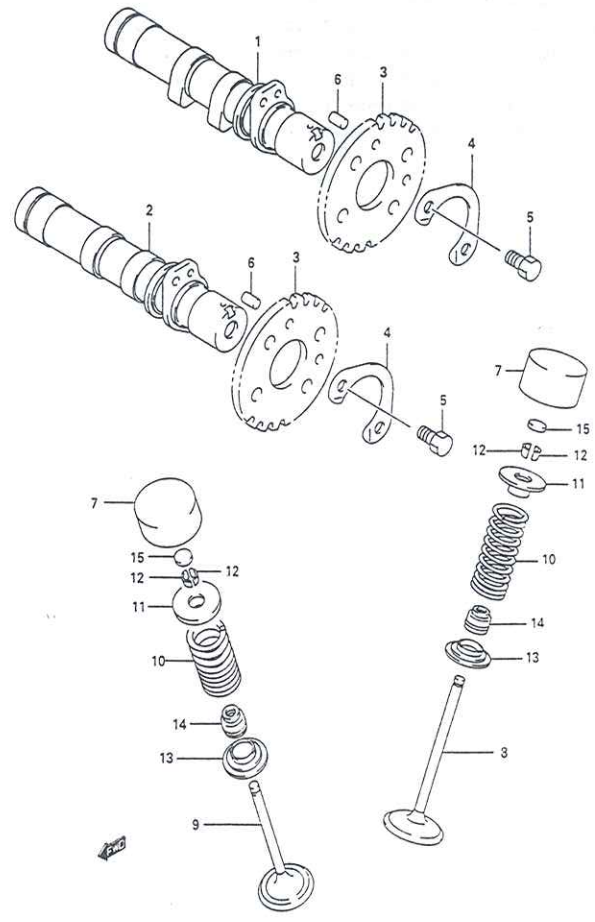


FIG. 9 (B-10) CAM SHAFT / VALVE

REF. NO.	PART NO.	DESCRIPTION	Q'TY	REMARKS
1	12710-05F00	CAM SHAFT, intake	1	
2	12720-05F00	CAM SHAFT, exhaust	1	
3	12741-16E00	SPROCKET, camshaft	2	
4	12747-44B00	WASHER	2	
5	09111-06032	BOLT	4	
6	09261-05005	PIN	2	
7	12891-16E00	TAPPET	4	
8	12911-16E00	VALVE, intake	2	
9	12912-16E00	VALVE, exhaust	2	
10	12921-05F00	SPRING, valve	4	
11	12931-16E00	RETAINER, valve spring	4	
12	12932-32C00	COTTER, valve	8	
13	12933-16E00	SEAT, valve spring	4	
14	09289-04002	OIL SEAT (4.5x10x8)	4	
15-1	12892-05C00-120	SHIM, tappet (T: 1.20)	4	
15-2	12892-05C00-125	SHIM, tappet (T: 1.25)	4	
15-3	12892-05C00-130	SHIM, tappet (T: 1.30)	4	
15-4	12892-05C00-135	SHIM, tappet (T: 1.35)	4	
15-5	12892-05C00-140	SHIM, tappet (T: 1.40)	4	
15-6	12892-05C00-145	SHIM, tappet (T: 1.45)	4	
15-7	12892-05C00-150	SHIM, tappet (T: 1.50)	4	
15-8	12892-05C00-155	SHIM, tappet (T: 1.55)	4	
15-9	12892-05C00-160	SHIM, tappet (T: 1.60)	4	
15-10	12892-05C00-165	SHIM, tappet (T: 1.65)	4	
15-11	12892-05C00-170	SHIM, tappet (T: 1.70)	4	
15-12	12892-05C00-175	SHIM, tappet (T: 1.75)	4	
15-13	12892-05C00-180	SHIM, tappet (T: 1.80)	4	
15-14	12892-05C00-185	SHIM, tappet (T: 1.85)	4	
15-15	12892-05C00-190	SHIM, tappet (T: 1.90)	4	

FXR150

2

FIG. 9

2

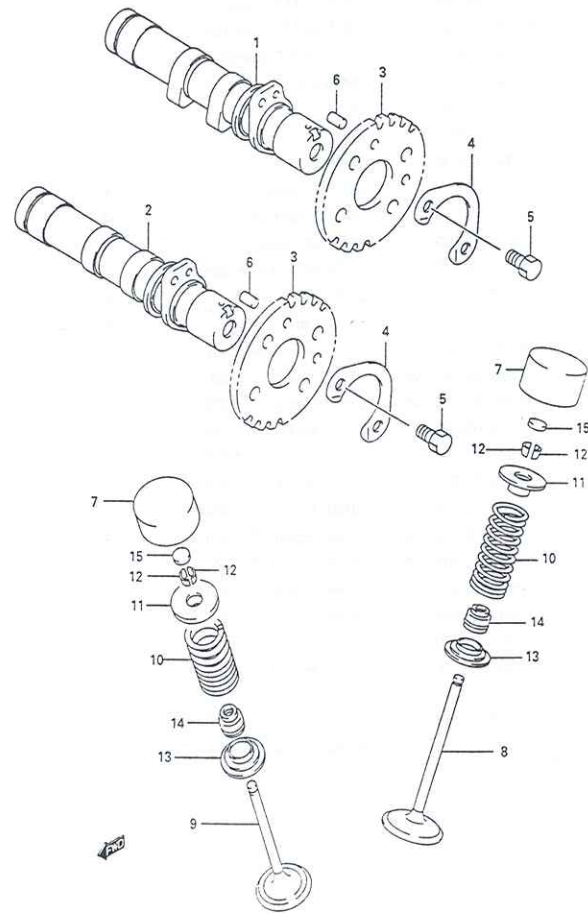


FIG. 9 (B-11) CAM SHAFT / VALVE

REF. NO.	PART NO.	DESCRIPTION	Q'TY	REMARKS
15-16	12892-05C00-195	SHIM, tappet (T: 1.95)	4	
15-17	12892-05C00-200	SHIM, tappet (T: 2.00)	4	
15-18	12892-05C00-205	SHIM, tappet (T: 2.05)	4	
15-19	12892-05C00-210	SHIM, tappet (T: 2.10)	4	
15-20	12892-05C00-215	SHIM, tappet (T: 2.15)	4	
15-21	12892-05C00-220	SHIM, tappet (T: 2.20)	4	

FIG. 10

	QTY	REMARKS
1.95)	4	
2.00)	4	
2.05)	4	
2.10)	4	
2.15)	4	
2.20)	4	

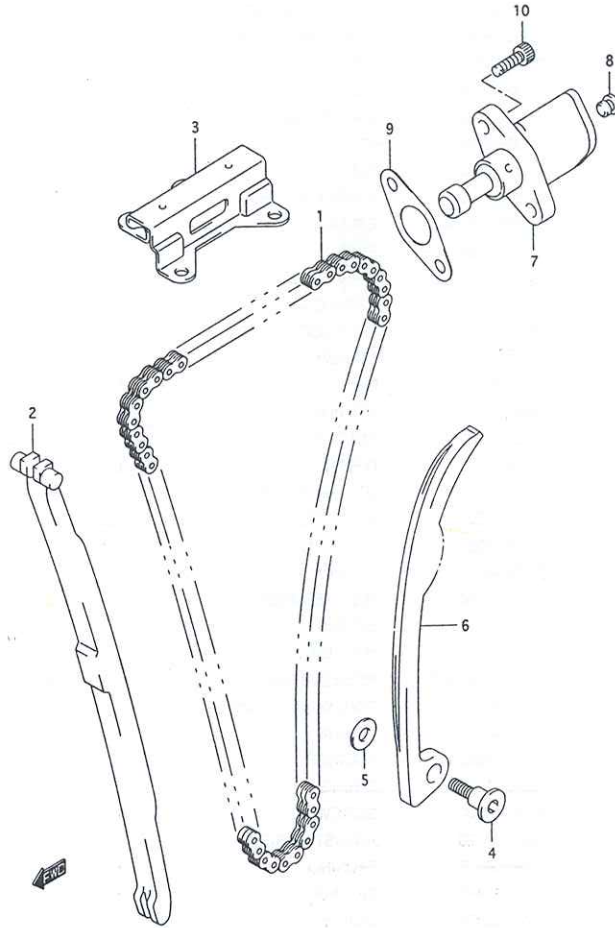


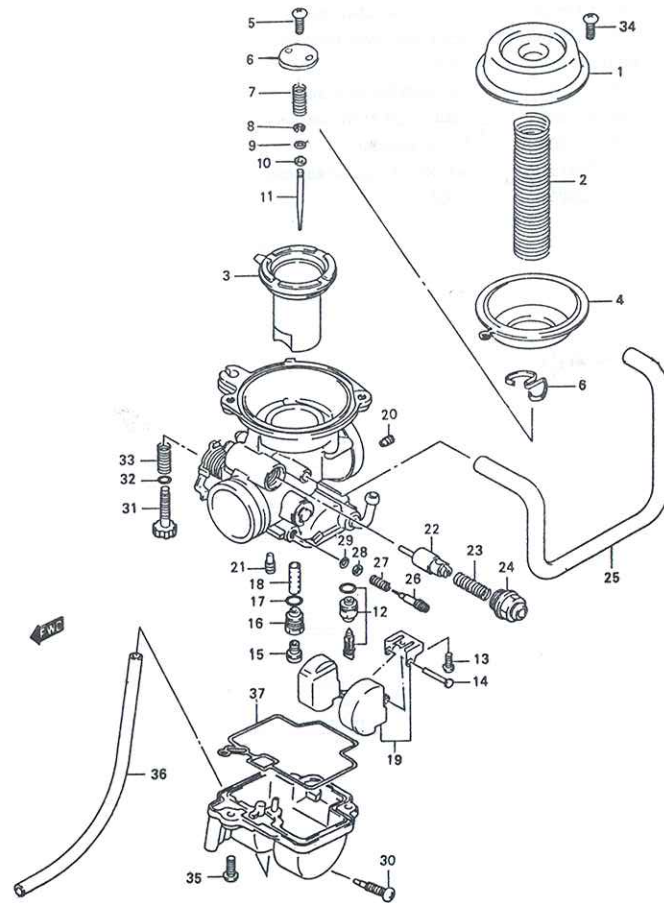
FIG. 10 (B-12) CAM CHAIN

REF. NO.	PART NO.	DESCRIPTION	Q'TY	REMARKS
1	12760-16E00	CHAIN, cam shaft drive	1	
2	12771-16E00	GUIDE, cam chain no. 1	1	
3	12782-47E00	GUIDE, cam chain no. 2	1	
4	12812-35C00	BOLT, cam chain tensioner	1	
5	08211-06181	WASHER	1	
6	12811-16E00	TENSIONER, cam chain	1	
7	12830-31312	ADJUSTER ASSY, tensioner	1	
8	12839-38200	PLUG, adjuster	1	
9	12837M31320	GASKET, tensioner adjuster	1	
10	07130-06203	BOLT	2	

2

FIG. 11

2



FXR150

FIG. 11 (C-2) CARBURETOR

REF. NO.	PART NO.	DESCRIPTION	Q'TY	REMARKS
	13200-05F02	CARBURETOR ASSY	1	
1	13502-05F00	.COVER ASSY, diaphragm	1	
2	13417-05F00	.SPRING	1	
3	13500-05F10	.VALVE, piston	1	
4	13507-04F00	.DIAPHRAGM	1	
5	13603-05F00	SCREW	2	
6	13581-05F00	.PLATE	1	
7	13388-20E20	.SPRING, jet needle	1	
8	13394-17E60	.E RING	1	
9	13574-05F00	.RING	2	
10	13382-46E00	.WASHER	1	
11	13383-05F00	.NEEDLE, jet	1	
12	13370-47E00	.VALVE ASSY, needle	1	
13	02112-04083	.SCREW	1	
14	13254-20010	.PIN	1	
15	09491-21019	.JET, main (107.5)	1	
16	13385-47E10	.HOLDER, jet	1	
17	13246-43010	.O RING	1	
18	09494-00196	.JET, needle (0-8)	1	
19	13240-47E00	.FLOAT ASSY	1	
20	09493-29002	.JET, air (1.45)	1	
21	09492-12007	.JET, pilot (12.5)	1	
22	13411-12D00	.PLUNGER ASSY	1	
23	13417-01010	.SPRING	1	
24	13418-43410	.HOLDER, guide	1	
25	09352-60103-600	.HOSE (6x10x600)	1	L:600-450
26	13279-45400	.SCREW, pilot (1 1/4)	1	
27	13268-47070	.SPRING	1	
28	13291-29900	.WASHER	1	
29	13295-29900	.O RING	1	
30	13247-13A00	.SCREW	1	
31	13267-20E20	.ADJUST SCREW	1	
32	13386-09410	.PACKING	1	
33	13268-37420	.SPRING	1	
34	02112-05087	.SCREW	1	

	Q'TY	REMARKS
R ASSY	1	
diaphragm	1	
	1	
	1	
	2	
	1	
eedle	1	
	1	
	2	
	1	
eedle	1	
	1	
(.5)	1	
	1	
(-8)	1	
	1	
	1	
SY	1	
	1	
le	1	
(600)	1	L:600-450
(1 1/4)	1	
	1	
	1	
	1	
	1	
EW	1	
	1	
	1	
	1	

FIG. 11

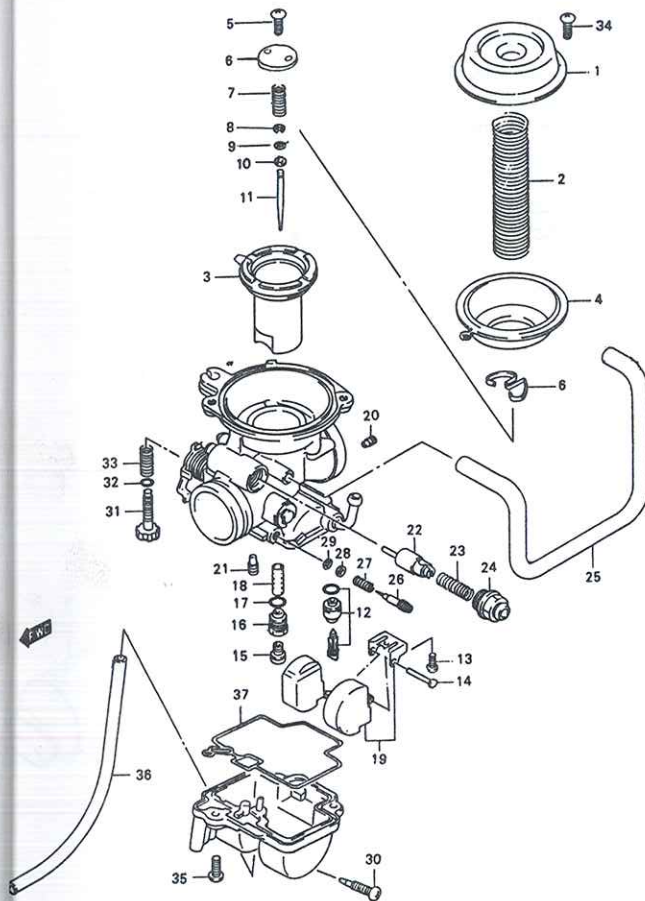


FIG. 11 (C-3) CARBURETOR

REF. NO.	PART NO.	DESCRIPTION	Q'TY	REMARKS
35	13601-05148	.SCREW	2	
36	13684-20A21	.HOSE (3x5x325)	1	
37	13251-47E00	.GASKET, float body	1	

2

FXR150

FIG. 12

2

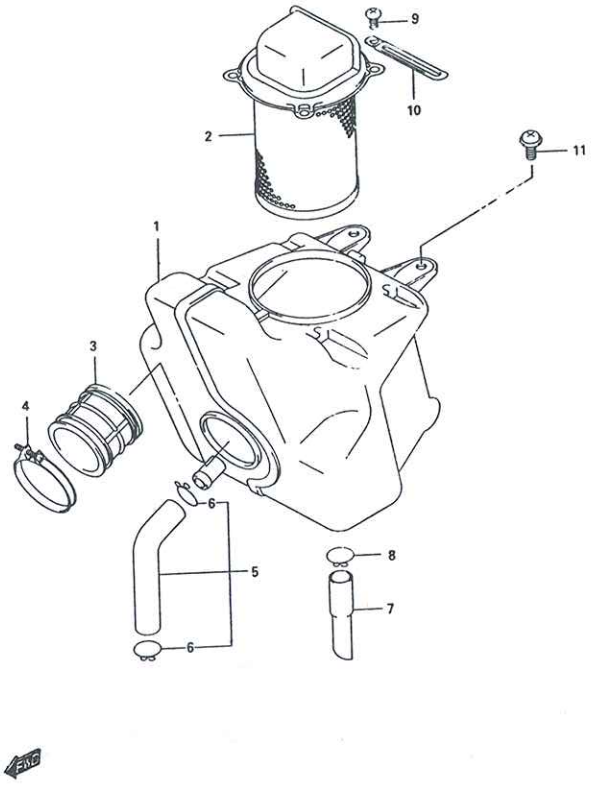


FIG. 12 (C-4) AIR CLEANER

REF. NO.	PART NO.	DESCRIPTION	Q'TY	REMARKS
1	13720M05F00	CLEANER CASE ASSY, air	1	
2	13780-05F00	.FILTER ASSY	1	
3	13881M05F00	.TUBE, outlet	1	
4	09402-52208	.CLAMP	1	
5	13853-05F00	.TUBE, breather	1	
6	09401-14301	.CLIP	1	
7	13872-00A00	.PLUG, drain	1	
8	09401-14301	.CLIP	1	
9	02142-05103	.SCREW	4	
10	09404-06432	.CLAMP (L:65)	1	
11	09136-06009	SCREW	2	

FIG. 13

Q'TY	REMARKS
1	ASSY, air
1	
1	
1	
1	
1	
1	
1	
1	
4	
1	
2	

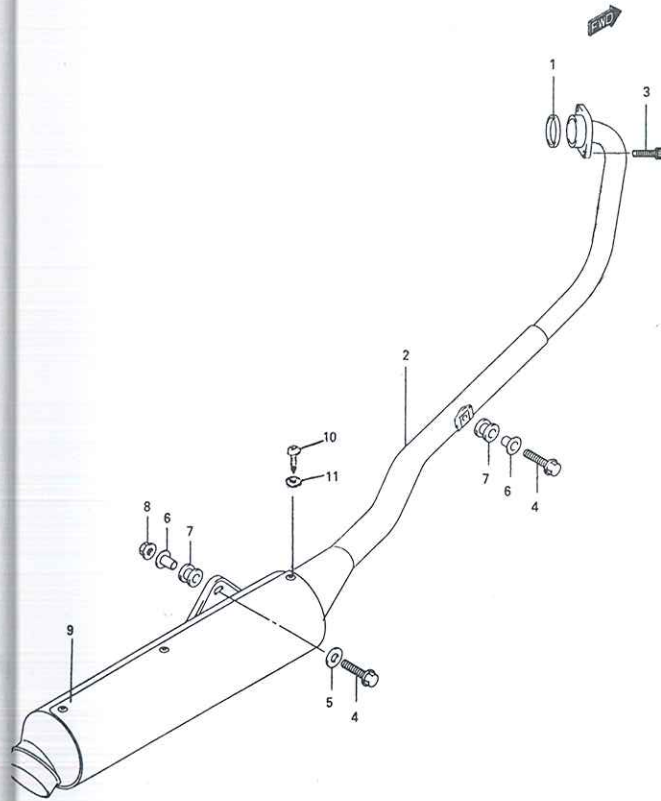


FIG. 13 (C-5) MUFFLER

REF. NO.	PART NO.	DESCRIPTION	Q'TY	REMARKS
1	14181M18C00	GASKET, exhaust pipe	1	
2	14301M05F10	MUFFLER	1	
3	07130-08253	BOLT	2	
4	01550-08353	BOLT	2	
5	09160-08133	WASHER (8.5x26x1.6)	2	
6	09180M08151	SPACER	2	
7	09320M12033	CUSHION	2	
8	08319-31083	NUT	1	
9	14781M05F00	COVER MUFFLER	1	
10	02142M06087	BOLT MUFFLER COVER	6	
11	08321M01063	WASHER MUFFLER COVER	6	

2

FIG. 14

2

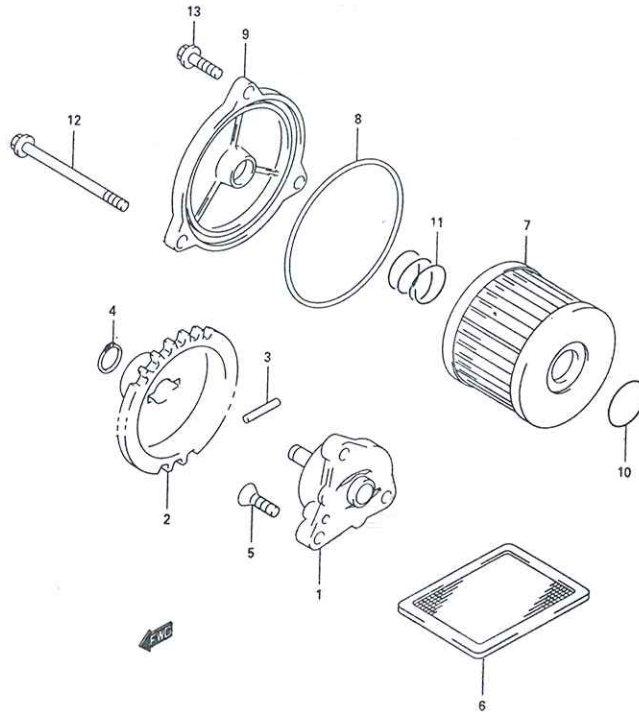
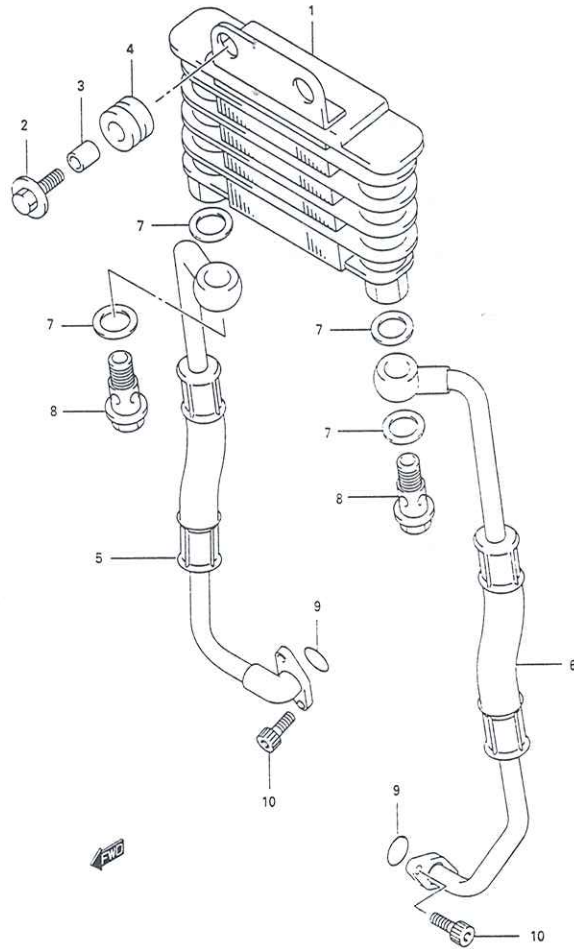


FIG. 14 (C-6) OIL PUMP

REF. NO.	PART NO.	DESCRIPTION	Q'TY	REMARKS
1	16400-47E10	PUMP ASSY, engine oil	1	
2	16331-47E00	GEAR, oil pump driven (NT: 30)	1	
3	09261-02001	PIN (2.5x19.8)	1	
4	08332-11063	CIRCLIP	1	
5	02122-06203	SCREW	3	
6	16520-30A00	STRAINER, engine oil	1	
7	16510-05240	FILTER, engine oil	1	
8	09280-54001	O RING (D: 2.4, ID: 52.6)	1	
9	16512-47E00	CAP, oil filter	1	
10	09280-13004	O RING (D: 1.9, ID: 13)	1	
11	09440-18002	SPRING	1	
12	01547-06703	BOLT	2	
13	01547-06163	BOLT	1	

	Q'TY	REMARKS
engine oil	1	
driven (NT: 30)	1	
	1	
	1	
	3	
ine oil	1	
oil	1	
ID: 52.6)	1	
	1	
ID: 13)	1	
	1	
	2	
	1	

FIG. 15



FXR150

FIG. 15 (C-7) OIL COOLER

REF. NO.	PART NO.	DESCRIPTION	Q'TY	REMARKS
1	16600-41E00	COOLER ASSY, oil	1	
2	09116-06143	BOLT (6x20)	2	
3	09180-06310	SPACER	2	
4	09320-10015	CUSHION	2	
5	16460-05F00	HOSE, oil cooler R	1	
6	16470-05F00	HOSE, oil cooler L	1	
7	09168-14011	GASKET, hose no. 2	4	
8	09360-12006	BOLT, union (12x28)	2	
9	09280-12008	O RING	2	
10	07130-06163	BOLT	4	

2

FIG. 16

2

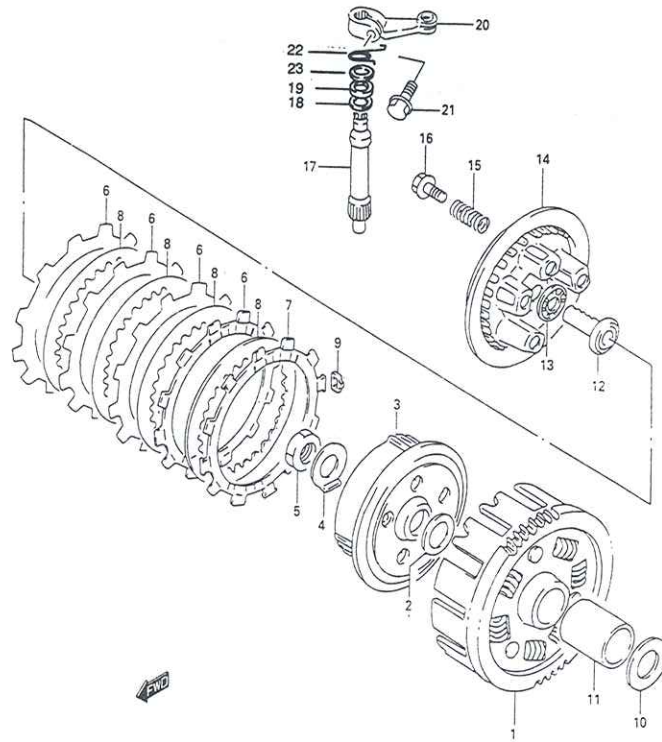
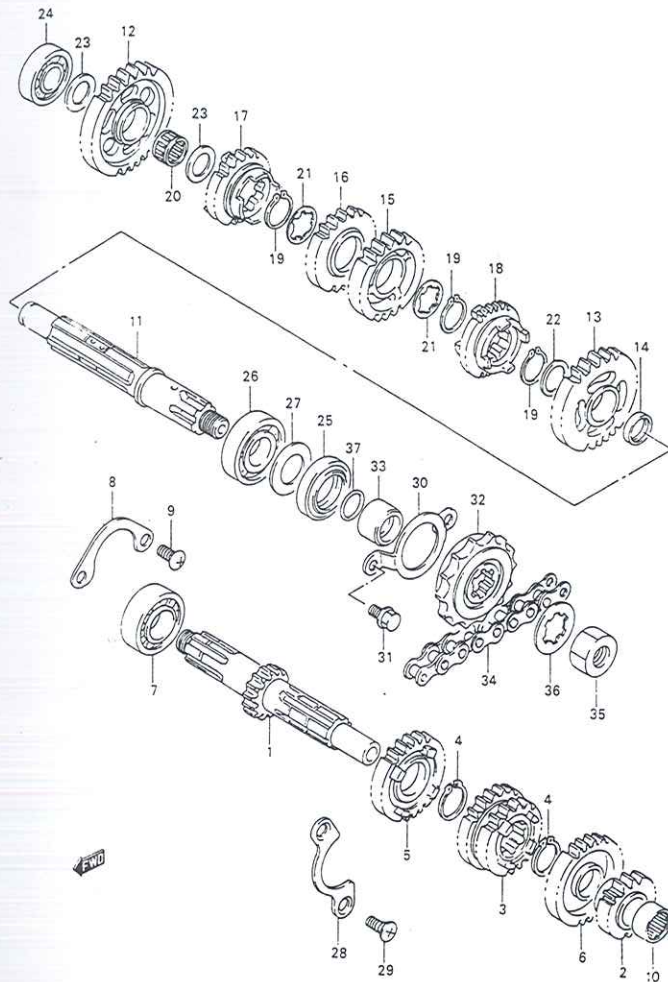


FIG. 16 (D-2) CLUTCH

REF. NO.	PART NO.	DESCRIPTION	Q'TY	REMARKS
1	21200-35C30	GEAR, primary driven (NT: 70)	1	
2	08211-20352	WASHER, clutch sleeve	1	
3	21411-05200	HUB, clutch sleeve	1	
4	09169-16003	WASHER	1	
5	09140-16005	NUT	1	
6	21441-13A01	PLATE, drive	4	
7	21442-13A00	PLATE, clutch drive	1	
8	21451-19A00	PLATE, driven	4	
9	21483-13A00	DAMPER, clutch drive plate	4	
10	09160-20056	SPACER (20.1x36x4)	1	
11	21251-13E00	SPACER, primary driven	1	
12	23165-48000	RACK, release	1	
13	09263-10002	BEARING (10.1x22x2.8)	1	
14	21462-02B40	DISK, pressure	1	
15	09440-15014	SPRING	5	
16	09116-05003	BOLT	5	
17	23261-13A01	PINION, release	1	
18	09160-12086	WASHER (12.5x17x1)	1	
19	09285-10004	SEAL (10x17x5)	1	
20	23271-03D10	ARM, release	1	
21	01500-06163	BOLT	1	
22	23271M21D99C	SPRING	1	
23	23271M21D98B	WASHER	1	

FXR150

FIG. 17



FXR150

FIG. 17 (D-3) TRANSMISSION

REF. NO.	PART NO.	DESCRIPTION	Q'TY	REMARKS
1	24121-05240	COUNTERSHAFT (NT:11)	1	
2	24221-05202	GEAR, 2nd drive (NT: 14)	1	
3	24231-05203	GEAR, 3rd & 4th (NT: 19/21)	1	
4	09380-20009	CIRCLIP, 5th	1	
5	24251-05212	GEAR, 5th drive (NT: 26)	1	
6	24260-05202	GEAR, 6th drive (NT: 25)	1	
7	09262-20019	BEARING, counter shaft RH	1	20x47x14
8	24741-12B00	RETAINER, counter bearing	1	
9	02112-06123	SCREW	2	
10	08123-60027	BEARING, countershaft LH	1	
11	24130-05320	SHAFT, drive	1	
12	24311-05201	GEAR, 1st driven (NT: 33)	1	
13	24321-05230	GEAR, 2nd driven (NT: 26)	1	
14	24322-47E00	BUSH, 2nd driven	1	
15	24331-05203	GEAR, 3rd driven (NT: 26)	1	
16	24341-05203	GEAR, 4th driven (NT: 23)	1	
17	24351-05211	GEAR, 5th driven (NT: 24)	1	
18	24361-11C01	GEAR, 6th driven (NT: 20)	1	
19	09380-20009	CIRCLIP, 2nd/3rd/4th	3	
20	09263-15023	BEARING, 1st driven	1	15x19x7.8
21	09167-20011	WASHER, 3rd/4th THR	2	20.5x25x0.5
22	09181-20167	WASHER, 2nd driven	1	
23	08211-15251	WASHER, 1st driven	2	
24	08113-62027	BEARING, drive shaft RH	1	
25	09283-27010	OIL SEAL (27x40x6)	1	
26	09262-20019	BEARING DRIVE SHAFT, LH	1	20x47x14
27	24359-05200	WASHER, oil sealing	1	
28	24741-05200	RETAINER, driveshaft	1	
29	02122-06123	SCREW	2	
30	24751-05210	RETAINER, drive shaft	1	
31	01500-06103	BOLT	2	

2

FIG. 17

2

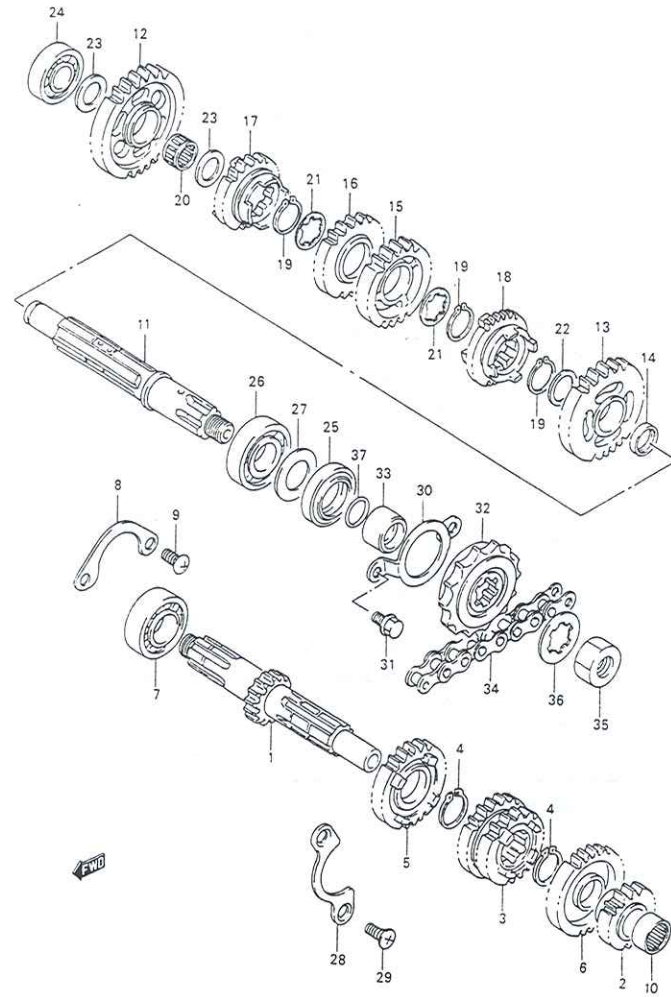


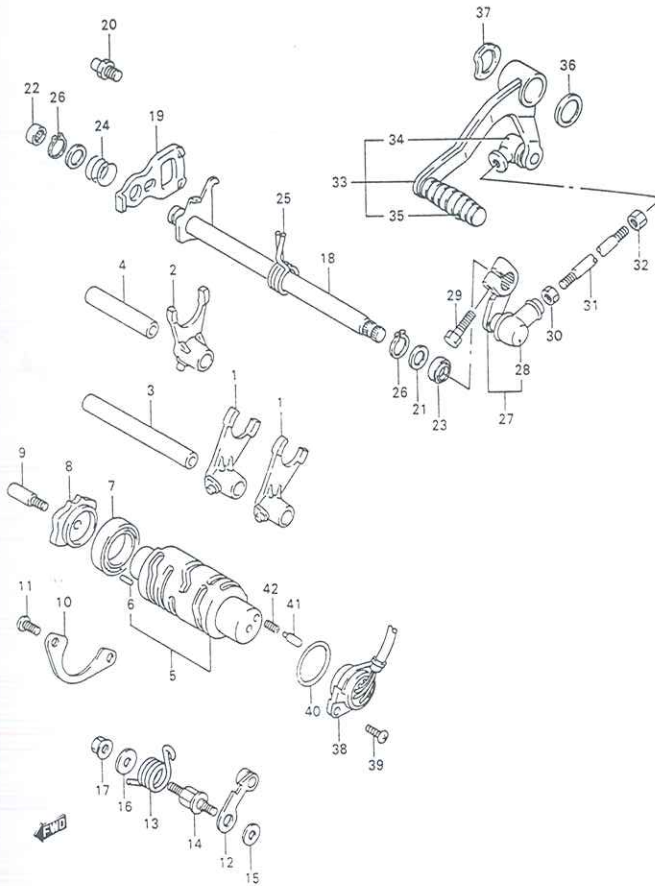
FIG. 17 (D-4) TRANSMISSION

REF. NO.	PART NO.	DESCRIPTION	Q'TY	REMARKS
32	27510-41730	SPROCKET, engine (NT: 14)	1	
33	27531-05210	SPACER	1	
34	27600M36A20-132	CHAIN ASSY (RK428HO, 132LE)	1	
35	09140-16017	NUT	1	
36	09167-20030	WASHER, lock	1	
37	09280-19005	O RING (D: 2.4, ID: 19)	1	

FXR150

Q'TY	REMARKS
1	Engine (NT: 14)
1	
1	ARK428HO, 132LE)
1	
1	
1	4, ID: 19)

FIG. 18



FXR150

FIG. 18 (D-5) GEAR SHIFTING

REF. NO.	PART NO.	DESCRIPTION	Q'TY	REMARKS
1	25221-08300	FORK, gear shifting, no. 1	2	
2	25231-47E00	FORK, gear shifting, no. 3	1	
3	25411-21D10	SHAFT, gear shifting no. 1	1	
4	25421-35410	SHAFT, gear shifting no. 2	1	
5	25310-47E20	CAM, gear shifting	1	
6	04221-04089	.PIN	1	
7	08113-69050	BEARING, gear shift cam	1	
8	25381-13E10	PLATE, gear shift cam	1	
9	25312-12C00	STOPPER, shift cam	1	
10	24741-12B00	RETAINER	1	
11	02112-06123	SCREW	2	
12	25350-26D01	STOPPER, cam	1	
13	25355-26D21	SPRING, stopper	1	
14	25356-12C00	SUPPORT, cam stopper	1	
15	08211-06141	WASHER, cam stopper	1	
16	08211-06181	WASHER, cam arm	1	
17	08316-10063	NUT, cam	1	
18	25510-47E00	SHAFT, gear shifting	1	
19	25512-13E11	PLATE, gear shift cam	1	
20	25671-01000	STOPPER, gear shift	1	
21	09181-14167	WASHER (14x22x1)	2	
22	09263-14027	BEARING, LH (14x20x12)	1	
23	09283-14006	SEAL (14x22x6)	1	
24	09440-17009	SPRING	1	
25	09444-20001	SPRING	1	
26	08331-31146	CIRCLIP, gear shift	1	
27	25520-22A00	ARM, gear shift link	1	
28	25526-47000	.COVER, dust	1	
29	01500-06207	BOLT	1	
30	08310-00067	NUT	1	
31	25525-17E11	ROD, gear shift link	1	
32	09140-06011	NUT	1	

2

FIG. 18

2

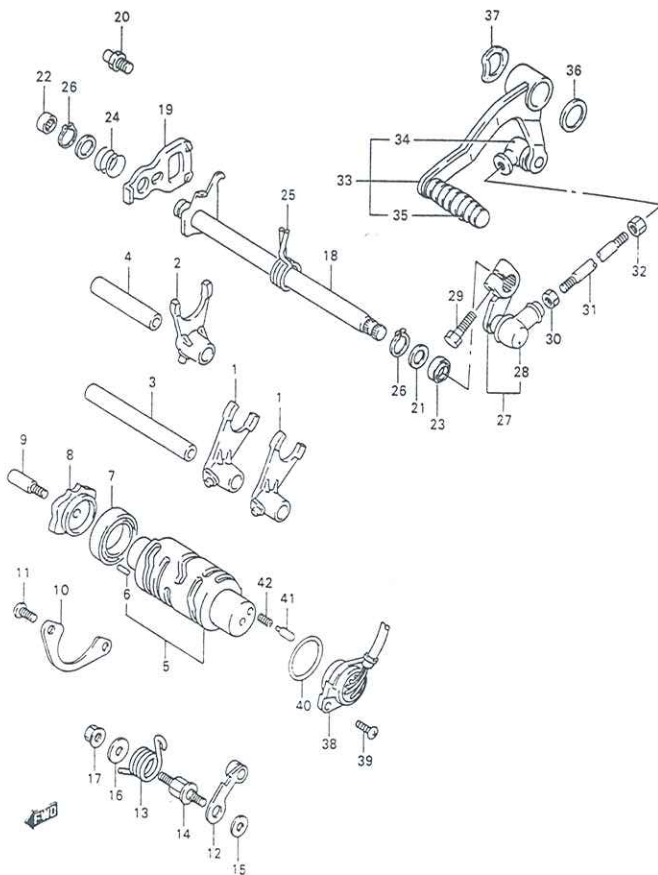
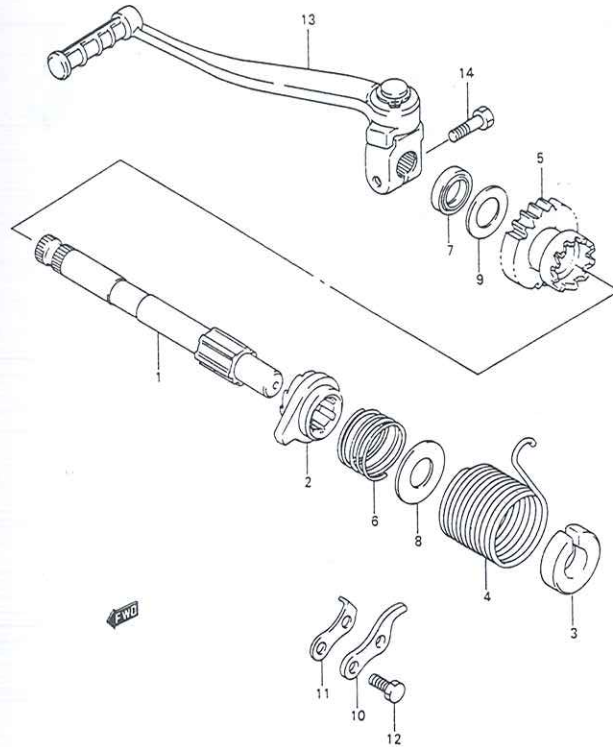


FIG. 18 (D-6) GEAR SHIFTING

REF. NO.	PART NO.	DESCRIPTION	Q'TY	REMARKS
33	25600M05F00	LEVER ASSY, gear shifting	1	
34	25526-47000	.COVER, dust	1	
35	25652M20C00	.RUBBER, pedal	1	
36	09161-18005	WASHER (18.2x26x0.8)	1	
37	09164-18002	WASHER (18.7x26x0.3)	1	
38	37720-05F00	BASE ASSY, gear shift term	1	
39	02112-05163	SCREW	2	
40	09280-26007	O RING (D: 2.4, ID: 25.7)	1	
41	09209-05011	CONTACT, switch	1	
42	09440-04010	SPRING	1	

	Q'TY	REMARKS
gear shifting	1	
	1	
	1	
x26x0.8)	1	
x26x0.3)	1	
gear shift term	1	
	2	
ID: 25.7)	1	
ch	1	
	1	

FIG. 19



FXR150

FIG. 19 (D-7) KICK STARTER

REF. NO.	PART NO.	DESCRIPTION	Q'TY	REMARKS
1	26211-47E00	SHAFT, kick starter	1	
2	26231-09410	STARTER, kick	1	
3	26221M30A00	GUIDE, spring	1	
4	09448-38004	SPRING	1	
5	26241-47E10	GEAR, drive (NT: 35)	1	
6	09440-30007	SPRING	1	
7	09285-16003	OIL SEAL (16x24x5)	1	
8	08211-14321	WASHER	1	
9	09181-16223	WASHER (16x28x1)	1	
10	26232-09401	GUIDE, kick starter	1	
11	26233-09400	STOPPER, kick starter	1	
12	01500-06123	BOLT	2	
13	26300M05F00	LEVER ASSY, kick starter	1	
14	01500-08253	BOLT	1	

2

FIG. 20

2

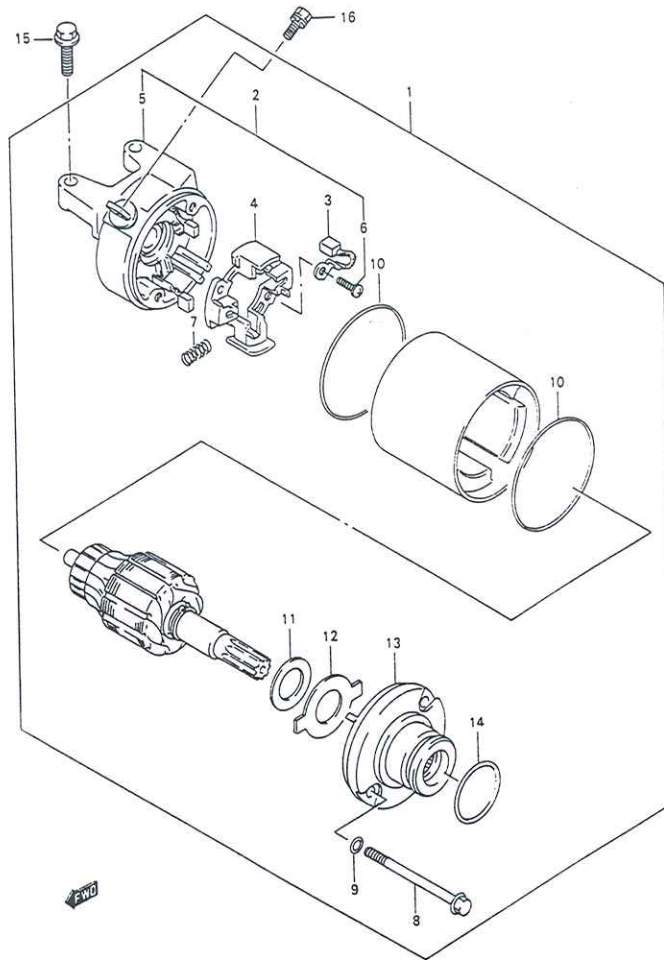


FIG. 20 (E-2) STARTING MOTOR

REF. NO.	PART NO.	DESCRIPTION	QTY	REMARKS
1	31100-47E00	MOTOR ASSY, starting	1	
2	31175-47E00	.FRAME ASSY, commutator, end	1	
3	31132-32C10	..BRUSH	2	
4	31130-32C20	..BRUSH SUB ASSY	1	
5	31133-32C10	..HOLDER, brush	1	
6	02112-34123	..SCREW	3	
7	31135-32C10	..SPRING	4	
8	31281-20E00	.BOLT	2	
9	31156-38300	.O RING	2	
10	31264-32C10	.O RING	2	
11	31361-38300	.SHIM	1	
12	31361-32C10	.PLATE, lock	1	
13	31150-06C00	.BRACKET	1	
14	09280-24003	.O RING (D: 3, ID: 24.5)	1	
15	01547-06253	BOLT	2	
16	09137-05004	SCREW	1	

	Q'TY	REMARKS
Y, starting	1	
Y, commutator, end	1	
	2	
3 ASSY	1	
ush	1	
	3	
	4	
	2	
	2	
	2	
	1	
	1	
3, ID: 24.5)	1	
	2	
	1	

FIG. 21

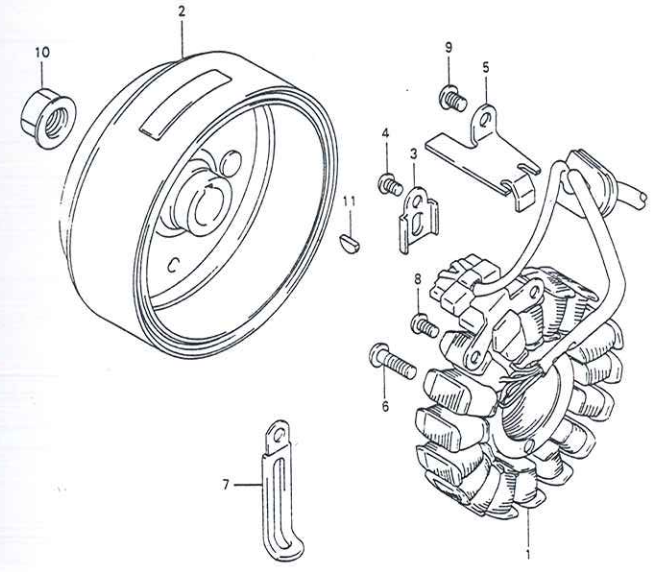


FIG. 21 (E-3) MAGNETO

REF. NO.	PART NO.	DESCRIPTION	Q'TY	REMARKS
1	32101-05F00	STATOR ASSY	1	
2	32102-05F00	ROTOR	1	
3	31497-45000	CLAMP, sensor	1	
4	02112-05103	SCREW	2	
5	32371-30D00	CLAMP, mag	1	
6	02112-06253	SCREW	2	
7	09404-06429	CLAMP (L: 60)	1	
8	02112-05103	SCREW, sensor	2	
9	02112-06103	SCREW, mag clamp	1	
10	08316-10123	NUT	1	
11	08341-31039	KEY	1	

FXR150

FIG. 22

3

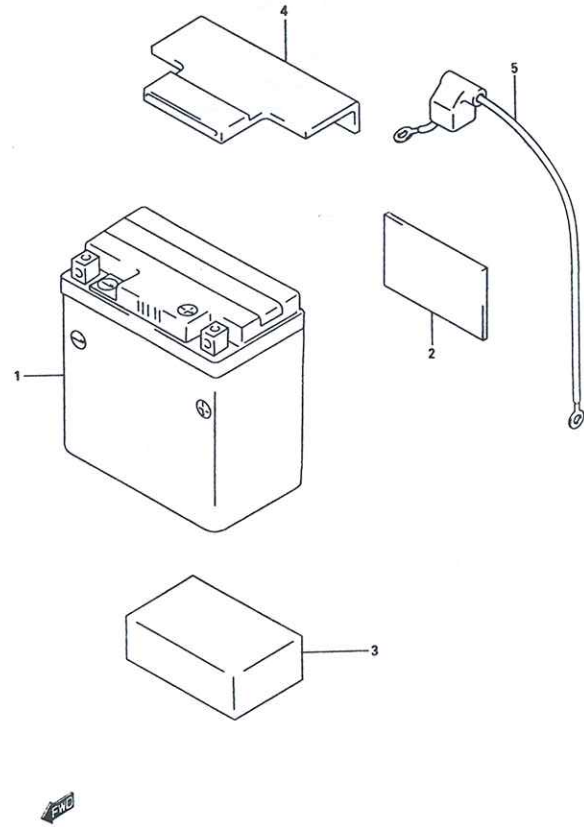


FIG. 22 (E-4) BATTERY

REF. NO.	PART NO.	DESCRIPTION	QTY	REMARKS
1	33610M40D50-DRY	BATTERY (FTX5L-BS, 12V, 44H)	1	
2	33652M28C00	PROTECTOR (3x40x85)	1	
3	33652M47D01	PROTECTOR (90x45x28)	1	
4	33655M05F00	COVER, battery	1	
5	33820M05F00	WIRE, battery plus	1	

FIG. 23

	Q'TY	REMARKS
5L-BS, 12V, 44H)	1	
(3x40x85)	1	
(90x45x28)	1	
y	1	
plus	1	

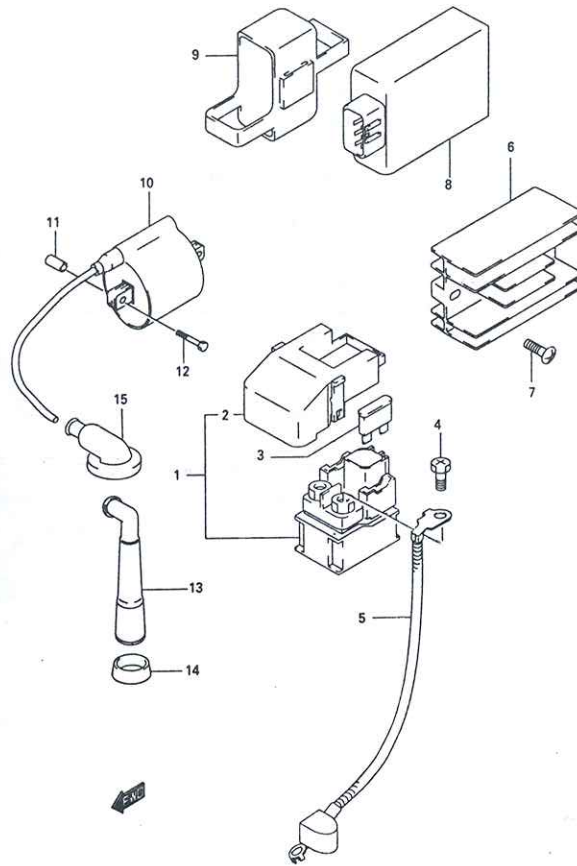


FIG. 23 (E-5) ELECTRICAL

REF. NO.	PART NO.	DESCRIPTION	Q'TY	REMARKS
1	31800-47E00	RELAY, starting motor	1	
2	31861-47E00	.COVER	1	
3	09481-20102	.FUSE (20A)	2	
4	09128-06013	SCREW (6x10)	2	
5	33810M05F00	LEAD WIRE, starting motor	1	
6	32800-05F00	RECTIFIER ASSY	1	
7	02142-06203	SCREW	2	
8	32900-05F00	CDI UNIT	1	
9	32980M30D10	CUSHION	1	
10	33410-19B00	COIL, ignition	1	
11	09180M06198	SPACER	1	
12	01547-06403	SCREW	2	
13	33510-48B10	CAP, spark plug	1	
14	33541-23E01	SEAL, spark plug	1	
15	33542-47E00	SEAL, high tension	1	

FXR150

3

FIG. 24

3

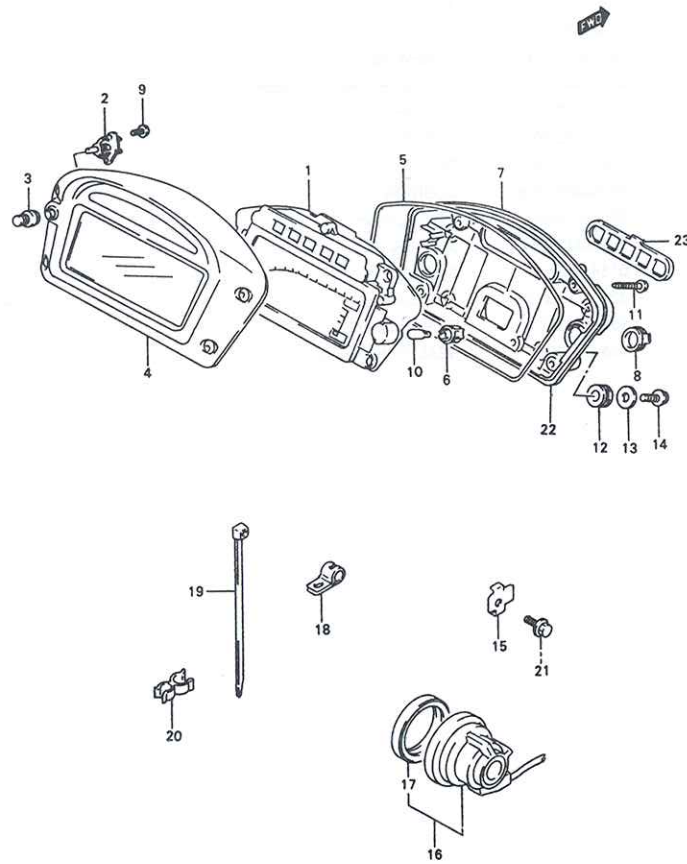


FIG. 24 (E-6) SPEEDOMETER

REF. NO.	PART NO.	DESCRIPTION	Q'TY	REMARKS
1	34120-05F00	METER	1	
2	34123-33E00	ATTACHMENT, switch	1	
3	34124-33E00	SWITCH, gum	1	
4	34150-04F00	VISOR	1	
5	34153-04F00	PACKING	1	
6	34172-33E00	SOCKET	6	
7	34188-04F00	PACKING	1	
8	34198-33E00	CAP, blind	2	
9	09132-03005	SCREW	2	
10	09471-12108	BULB (12V, 1.7W)	6	
11	03541-04203	SCREW	4	
12	34955-33E00	CUSHION, meter	4	
13	09160-05037	WASHER (5.5x16x1.2)	4	
14	02162-05083	BOLT	4	
15	34938-04F00	GUIDE, sensor lead	2	
16	34990-05F00	SENSOR, speed	1	
17	09285-43001	.SEAL, sensor oil	1	
18	09403-07401	CLAMP	2	
19	09407-14407	CLAMP	2	
20	09408-00102	CLAMP	2	
21	01550-05163	BOLT, sensor lead guide	2	
22	34111-04F00	CASE, lower	1	
23	34198-04F00	LENS SET	1	

	Q'TY	REMARKS
	1	
switch	1	
	1	
	1	
	1	
	6	
	1	
	2	
	2	
.7W)	6	
	4	
eter	4	
5x16x1.2)	4	
	4	
or lead	2	
eed	1	
r oil	1	
	2	
	2	
	2	
lead guide	2	
	1	
	1	

FIG. 25

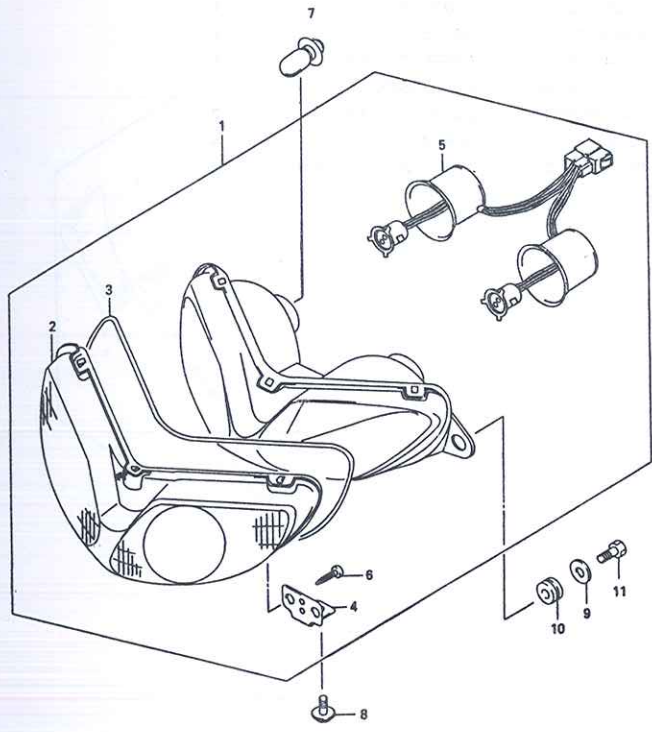


FIG. 25 (E-7) HEADLAMP

REF. NO.	PART NO.	DESCRIPTION	Q'TY	REMARKS
1	35100-05F00-999	HEADLAMP ASSY	1	
2	35124-05F00	.LENS	1	
3	35125-05F00	.GASKET	1	
4	35159-05F00	.BRACKET	1	
5	35171-05F00	.CORD ASSY	1	
6	03511-04163	.SCREW	2	
7	09471-12159	BULB (12V, 25/25W)	2	
8	09136-05051	SCREW, headlamp adjust	1	5x12
9	09160-05501	WASHER (5.5x20x1.2)	2	
10	09320-07015	CUSHION	2	
11	03511-05123	SCREW	2	

FXR150

3

FIG. 26

3

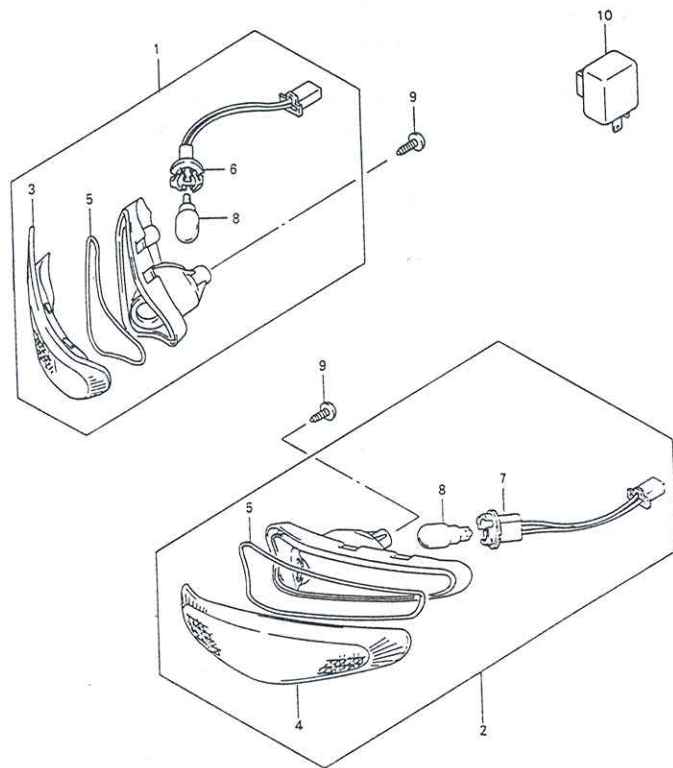


FIG. 26 (E-8) FRONT TURN SIGNAL LAMP

REF. NO.	PART NO.	DESCRIPTION	QTY	REMARKS
1	35601M05F00	LAMP ASSY, front RH	1	
2	35602M05F00	LAMP ASSY, front LH	1	
3	35612M05F00	.LENS, RH	1	
4	35632M05F00	.LENS, LH	1	
5	35613M05F00	.GASKET	1	
6	35618M05F00	.CORD ASSY, RH	1	
7	35638M05F00	.CORD ASSY, LH	1	
8	09471M12114	.BULB (12V, 10W)	2	
9	09132-05017	SCREW	4	
10	38610-09410	RELAY ASSY, turnsignal	1	

AMP	Q'TY	REMARKS
front RH	1	
front LH	1	
	1	
	1	
	1	
RH	1	
LH	1	
(10W)	2	
	4	
turnsignal	1	

FIG. 27

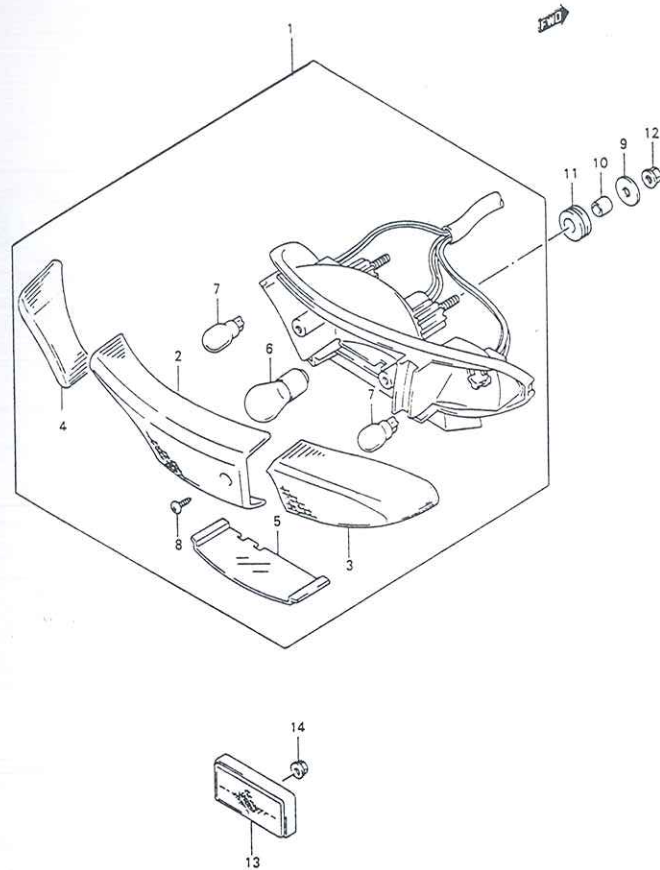


FIG. 27 (E-9) REAR COMBINATION LAMP

REF. NO.	PART NO.	DESCRIPTION	Q'TY	REMARKS
1	35710M05F00	LAMP ASSY, rear comb	1	
2	35712M05F00	.LENS, tail	1	
3	35652M05F00	.LENS, RH	1	
4	35672M05F00	.LENS, LH	1	
5	35912M05F00	.LENS, license	1	
6	09471M12119	.BULB (12V, 18/5W)	1	
7	09471M12114	.BULB (12V, 10W)	1	
8	03511-04163	.SCREW	2	
9	09160-06077	WASHER (6.5x20x1.2)	4	
10	09180M06285	SPACER (6.5x10x9)	4	
11	09320-09009	CUSHION	4	
12	08316-10063	NUT	4	
13	35970M05F00	REFLEX REFLECTOR ASSY, rear	1	
14	08316-10053	NUT	1	

XR150

3

FIG. 28

3

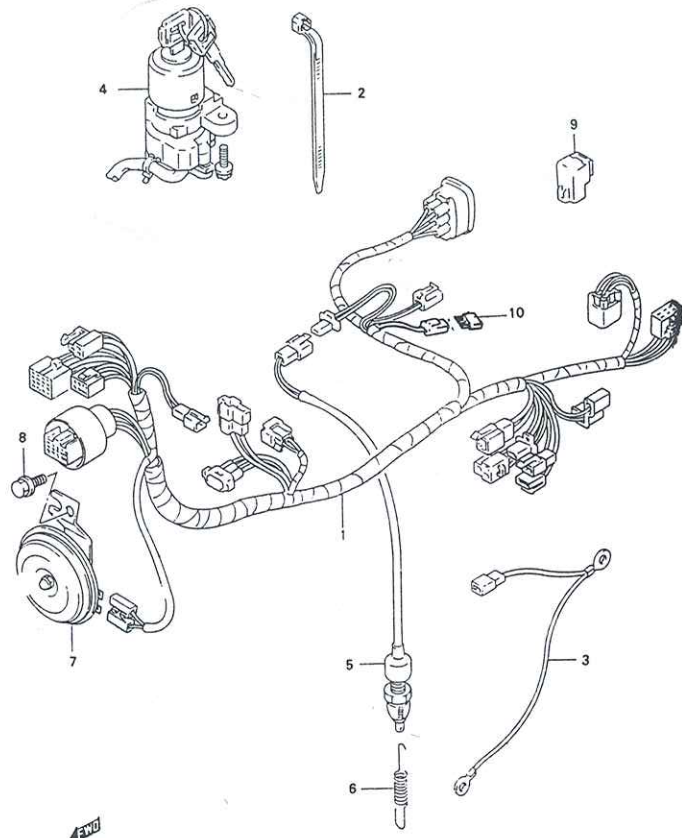


FIG. 28 (E-10) WIRING HARNESS

REF. NO.	PART NO.	DESCRIPTION	QTY	REMARKS
1	36610M05F00	HARNESS, wiring	1	
2-1	09407-14403	CLAMP (L: 125)	6	
2-2	09407-18401	CLAMP (L: 235)	4	
3	33860M05F00	WIRE, engine earth	1	
4	37100-05F00	LOCK ASSY, steering	1	
5	37740-31D00	SWITCH ASSY, stop lamp	1	
6	09443M06012	SPRING	1	
7	38500-19D00	HORN ASSY	1	
8	01550-06123	BOLT	1	
9	38740-26E00	RELAY ASSY, headlamp	1	
10	36611-38A00	DIODE	1	

	Q'TY	REMARKS
ing	1	
5)	6	
5)	4	
earth	1	
steering	1	
Y, stop lamp	1	
	1	
	1	
	1	
headlamp	1	
	1	

FIG. 29

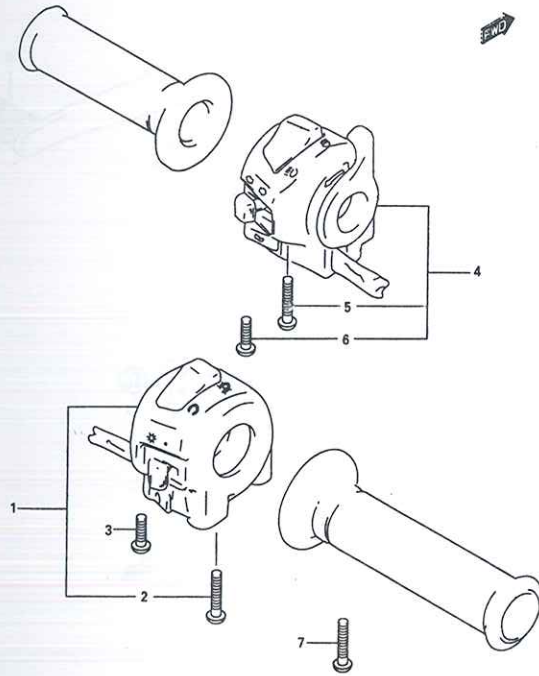


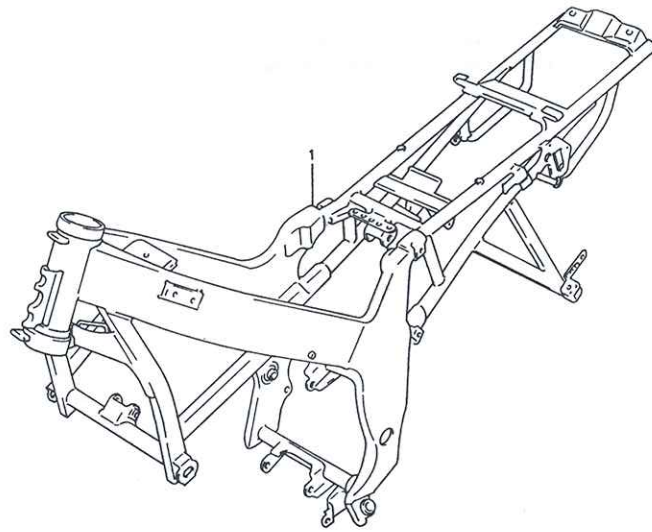
FIG. 29 (E-11) HANDLE SWITCH

REF. NO.	PART NO.	DESCRIPTION	Q'TY	REMARKS
1	37200-27E31	SWITCH ASSY, handle RH	1	
2	02112-05303	.SCREW	1	
3	02112-05503	.SCREW	1	
4	37400-05F00	SWITCH ASSY, handle LH	1	
5	02112-05253	.SCREW	1	
6	02112-05453	.SCREW	1	
7	02112-05103	SCREW, throttle cable	1	

FIG. 30

FIG. 30 (F-2) FRAME

REF. NO.	PART NO.	DESCRIPTION	Q'TY	REMARKS
1	41100M05F00	FRAME	1	



4

QTY	REMARKS
1	

FIG. 31

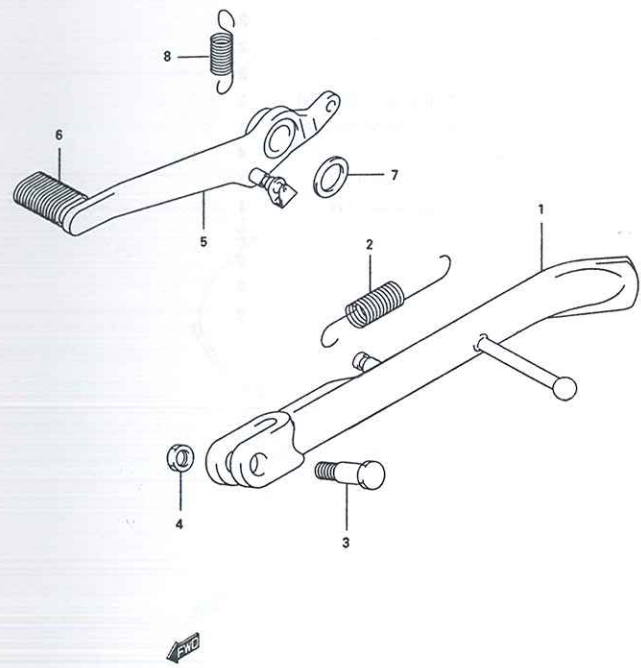


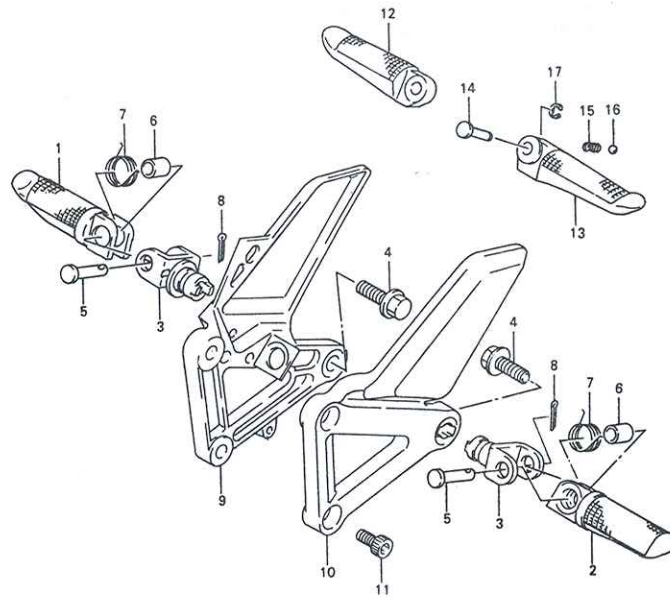
FIG. 31 (F-3) STAND

REF. NO.	PART NO.	DESCRIPTION	QTY	REMARKS
1	42310M05F00	STAND, prop	1	
2	09443M14047	SPRING	1	
3	09111-10047	BOLT	1	
4	09159-10097	NUT	1	
5	43110M05F00	PEDAL, brake	1	
6	25652M49300	RUBBER	1	
7	09160-18022	WASHER (18x24x1)	1	
8	09443M11033	SPRING	1	

FXR150

4

FIG. 32



4

FIG. 32 (F-4) FOOTREST

REF. NO.	PART NO.	DESCRIPTION	QTY	REMARKS
1	43511-32C00	BAR, front footrest RH	1	
2	43521-32C00	BAR, front footrest LH	1	
3	43530M06C01	HOLDER, footrest	2	
4	09106-10064	BOLT	2	
5	09200-08067	PIN	2	
6	09180-08149	SPACER (8.1x12x22)	2	
7	09448-18022	SPRING	2	
8	04111-25158	COTTER PIN	2	
9	43511M05F00	BRACKET, front footrest RH	1	
10	43521M05F00	BRACKET, front footrest LH	1	
11	07130-08163	BOLT	4	
12	43611-33E00	BAR, pillion footrest RH	1	
13	43621-33E00	BAR, pillion footrest LH	1	
14	09208-06003	PIN	2	
15	09440-05005	SPRING	2	
16	06111-07004	BALL	2	
17	08332-11043	E RING	2	

QTY	REMARKS
1	
1	
2	
2	
2	
2	
2	
2	
2	
1	
1	
4	
1	
1	
2	
2	
2	
2	

FIG. 33

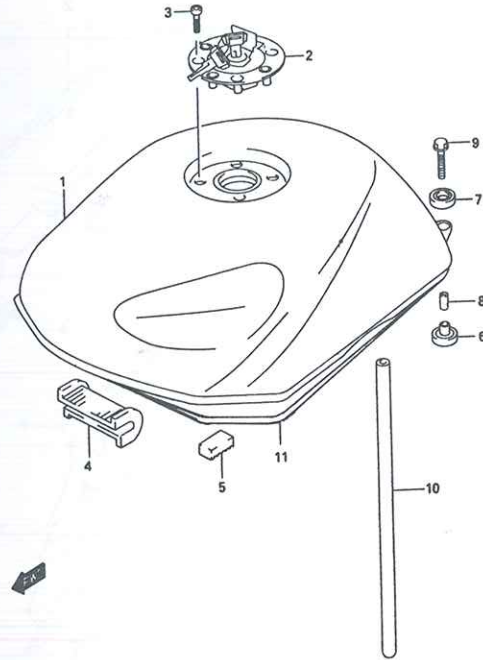


FIG. 33 (F-5) FUEL TANK

REF. NO.	PART NO.	DESCRIPTION	QTY	REMARKS
1	44100M05F00	TANK ASSY, fuel	1	
2	44200-33870	CAP SET, fuel tank	1	
3	09106-05017	BOLT (L: 20)	4	
4	44511-32C01	CUSHION, fuel tank front	1	
5	44540M42E00	CUSHION, fuel tank side	2	
6	09320M10020	CUSHION	2	
7	44512M42E00	CUSHION, fuel tank rear upper	2	
8	09180M06271	SPACER (6.5x9x18)	2	
9	01550-06303	BOLT	2	
10	09352-70103-00B	HOSE, water drain	1	
11	68241M05F00A	MOULDING, fuel tank	1	

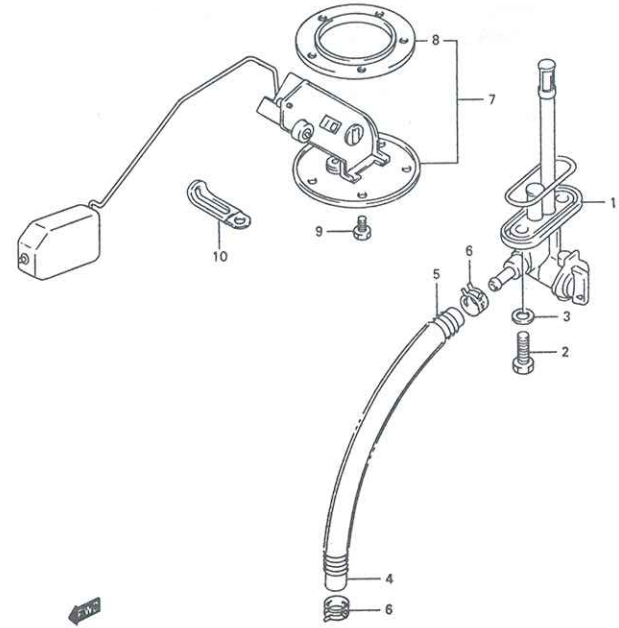
FXR150

FIG. 34

FIG. 34 (F-6) FUEL COCK

REF. NO.	PART NO.	DESCRIPTION	Q'TY	REMARK
1	44300-05F00	COCK ASSY, fuel	1	
2	09128M06006	BOLT	2	
3	09168-06026	GASKET (6.4x1.5x0.8)	2	
4	09355-54115-180	HOSE (7x12x600)	1	
5	09440-13052	SPRING	1	
6	09401-10409	CLIP	2	
7	34810-05F00	GAUGE ASSY, fuel level	1	
8	34825-45100	.GASKET	1	
9	09117-05003	BOLT	5	
10	09404-06429	CLAMP	1	

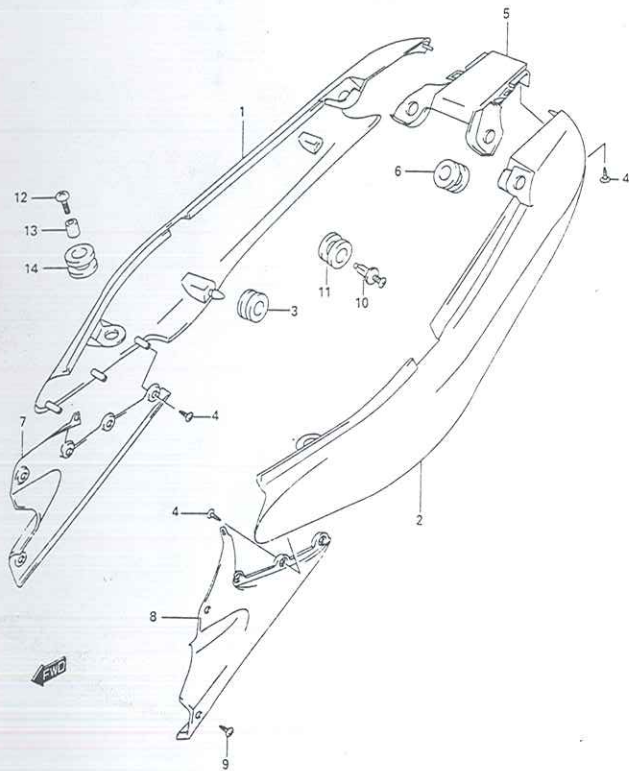
4



FXR150

DESCRIPTION	QTY	REMARKS
fuel	1	
	2	
(4x1.5x0.8)	2	
(x600)	1	
	1	
	2	
Y, fuel level	1	
	1	
	5	
	1	

FIG. 35



FXR150

FIG. 35 (F-7) FRAME COVER

REF. NO.	PART NO.	DESCRIPTION	QTY	REMARKS
1	47111M05F00	COVER, frame RH	1	
2	47211M05F00	COVER, frame LH	1	
3	09320M08018	CUSHION, lower	2	
4	03541-15123	SCREW	8	
5	47311M05F00	COVER ASSY, frame center	2	24-4
6	47115M05F00	CUSHION, pillion	2	
7	47511M05F00	COVER, frame front RH	1	
8	47611M05F00	COVER, frame front LH	1	
9	09139-05054	SCREW, front	4	
10	09409-10306	CLIP, side	2	
11	09320M10045	CUSHION, side	2	
12	09136-06105	SCREW, front upper	2	
13	09180M06286	SPACER	2	
14	09320M10045	CUSHION	2	

4

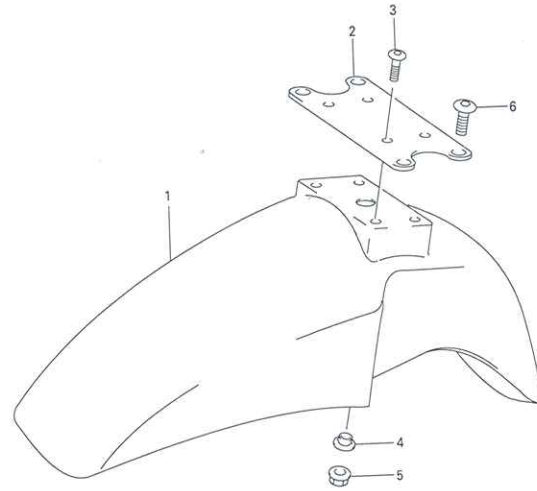
30999

FIG. 36

FIG. 36 (g-2) FRONT FENDER

REF. NO.	PART NO.	DESCRIPTION	Q'TY	REMAR
1	53111M05F00	FENDER, front	1	
2	53114-01D00	BRACE, front fender	1	
3	09139-05022	SCREW, brace	4	
4	09169-05010	WASHER	4	
5	09159-05026	NUT	4	
6	09139-06027	SCREW	4	

4



DESCRIPTION	QTY	REMARKS
Front fender	1	
Front fender	1	
Front fender	4	
Front fender	4	
Front fender	4	
Front fender	4	

FIG. 37

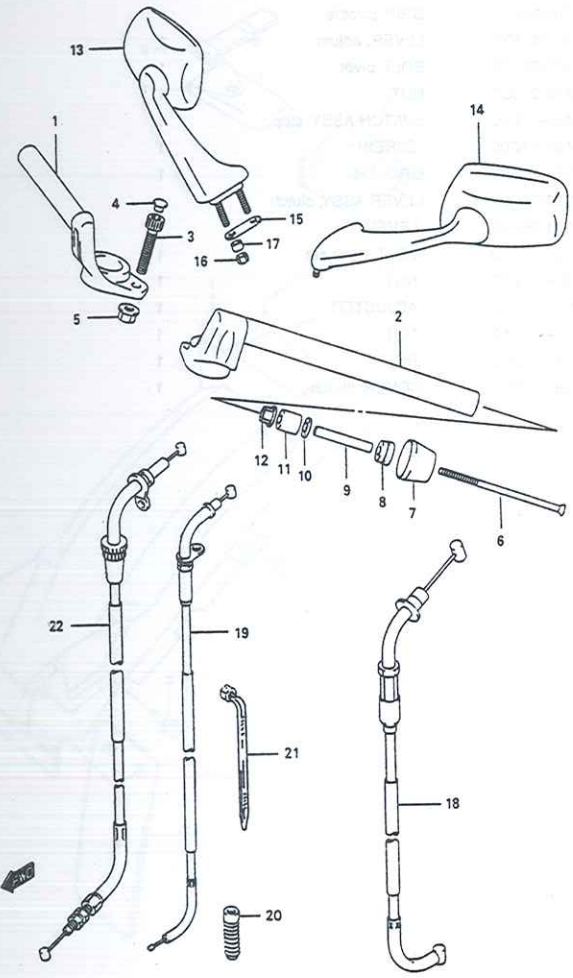


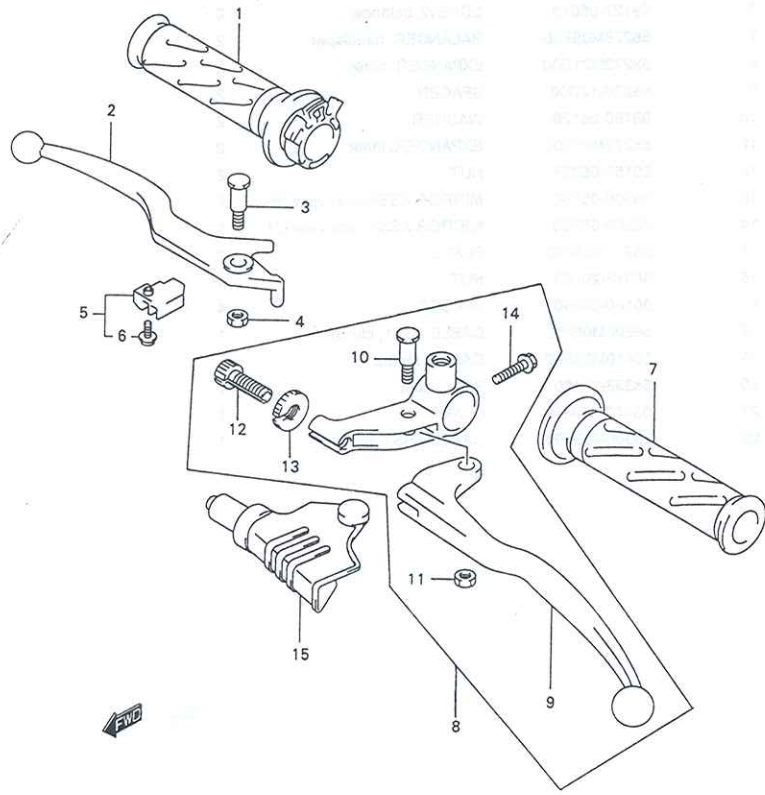
FIG. 37 (G-3) HANDLEBAR

REF. NO.	PART NO.	DESCRIPTION	QTY	REMARKS
1	56110M05F00	HANDLEBAR, RH	1	
2	56150M05F00	HANDLEBAR, LH	1	
3	09106-10022	BOLT	2	
4	09250-08012	CAP	2	
5	08319-31103	NUT	2	
6	09127-06018	SCREW, balancer	2	
7	56278M05F00	BALANCER, handlebar	2	
8	56272M21D00	EXPANDER, outer	2	
9	56276-17D00	SPACER	2	
10	09160-06126	WASHER	2	
11	56272M44500	EXPANDER, inner	2	
12	09159-06024	NUT	2	
13	56500-05F00	MIRROR ASSY, rear view RH	1	
14	56600-05F00	MIRROR ASSY, rear view LH	1	
15	56711M05F00	PLATE	2	
16	08313-20063	NUT	4	
17	09180-06290	SPACER	4	
18	58200M05F00	CABLE ASSY, clutch	1	
19	58410M05F00	CABLE, starter	1	
20	58333-35400	SEAL, dust	1	
21	09407-12404	CLAMP	2	
22	58300M05F00	CABLE ASSY, throttle	1	

4

KR150

FIG. 38



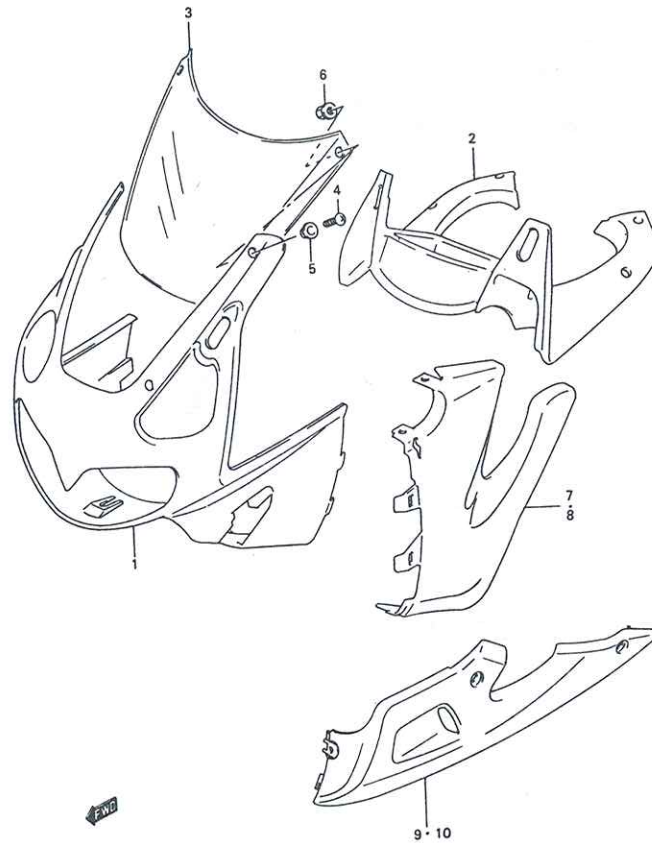
4

FXR150

FIG. 38 (G-4) HANDLE LEVER

REF. NO.	PART NO.	DESCRIPTION	Q'TY	REMARKS
1	57110M46E01	GRIP, throttle	1	
2	57421M13001	LEVER, adjust	1	
3	57431-04F00	BOLT, pivot	1	
4	08319-21063	NUT	1	
5	57460-17C00	SWITCH ASSY, stop	1	
6	57465-17C00	.SCREW	1	
7	57211M22D01	GRIP, LH	1	
8	57500-05F00	LEVER ASSY, clutch	1	
9	57621-05F00	.LEVER	1	
10	57531-14A00	.BOLT, lever set	1	
11	08319-21063	.NUT	1	
12	57441-11010	.ADJUSTER	1	
13	57442-11010	.NUT	1	
14	01547-06203	.BOLT	1	
15	57661M05F00	COVER, clutch	1	

FIG. 40



4

FIG. 40 (G-6) COWLING

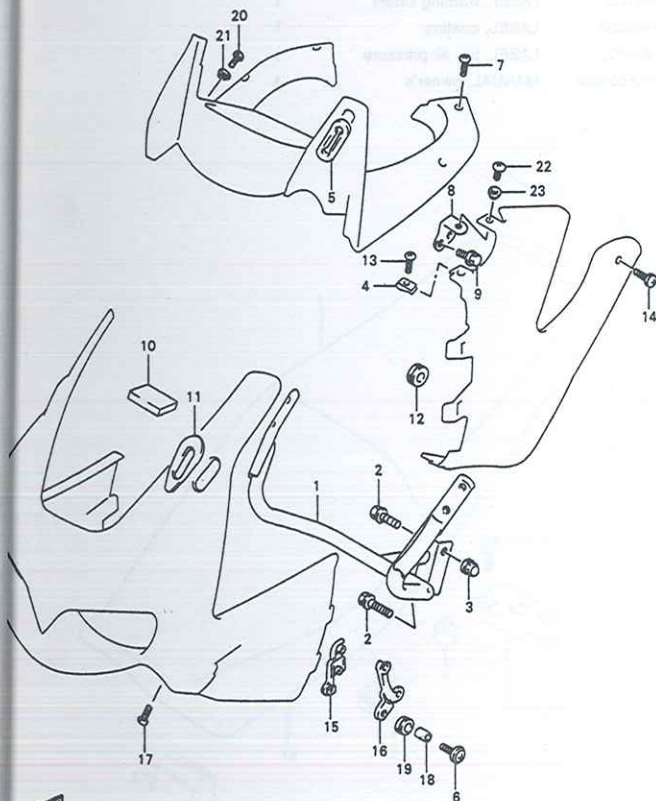
REF. NO.	PART NO.	DESCRIPTION	Q'TY	REMARKS
1	94410M05F00	COWLING, body	1	
2	94421M05F00	PANEL, meter	1	
3	94611M05F00	WINDOW SCREEN	1	
4	09139-05025	SCREW	4	
5	08322-01053	WASHER	4	
6	09159-05019	NUT	4	
7	94431M05F00	COWLING, side RH	1	
8	94441M05F00	COWLING, side LH	1	
9	94471M05F00	COWLING, under RH	1	
10	94481M05F00	COWLING, under LH	1	

QTY

REMARKS

1
1
1
4
4
4
1
1
1
1

FIG. 41



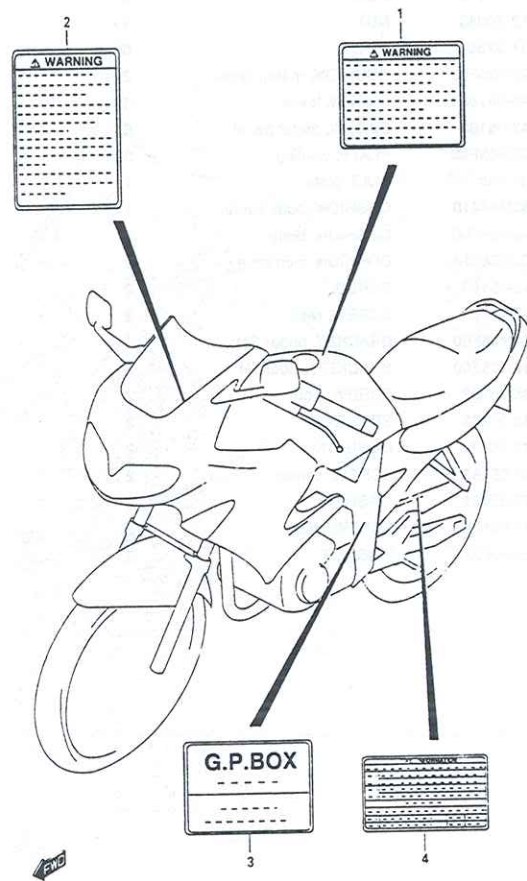
1150

FIG. 41 (G-7) COWLING INSTALLATION PARTS

REF. NO.	PART NO.	DESCRIPTION	Q'TY	REMARKS
1	94510M05F00	BRACE, cowling	1	
2	01570-08353	BOLT	2	
3	08313-20083	NUT	1	
4	94484-32B00	NUT	6	
5	94426M05F00	CUSHION, meter panel	2	
6	03541-04163	SCREW, lower	4	
7	02142-05163	SCREW, meter panel	6	
8	94470M05F00	PLATE, cowling	2	
9	01550M06103	BOLT, plate	4	
10	45562M44410	CUSHION, body center	1	
11	94416M05F00	CUSHION, body	2	
12	09320M08018	CUSHION, side cowl	2	
13	02142-05163	SCREW	2	
14	02142-16407	SCREW, rear	2	
15	94550M05F00	BRACKET, under RH	1	
16	94560M05F00	BRACKET, under LH	1	
17	09136-06103	SCREW, front	2	
18	09180-06263	SPACER	2	
19	09320-09026	CUSHION	2	
20	02142-05163	SCREW, center	2	
21	09169-05021	WASHER	2	
22	02142-06127	SCREW, rear	2	
23	09169M06033	WASHER	2	

4

FIG. 42



4

FIG. 42 (G-8) WARNING LABEL

REF. NO.	PART NO.	DESCRIPTION	Q'TY	REMARKS
1	68319M33E00	LABEL, warning safety	1	
2	68612M48B00	LABEL, cowling	1	
3	68332M05F00	LABEL, tire air pressure	1	
4	99011-05F50-08A	MANUAL, owner's	1	

DESCRIPTION	QTY	REMARKS
Warning safety	1	
Howling	1	
Pre air pressure	1	
Owner's	1	

FIG. 43

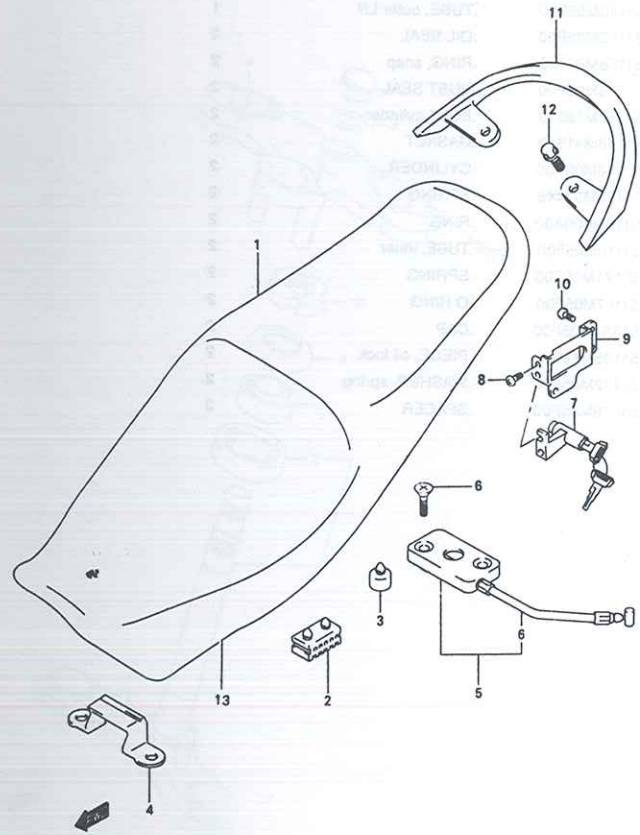
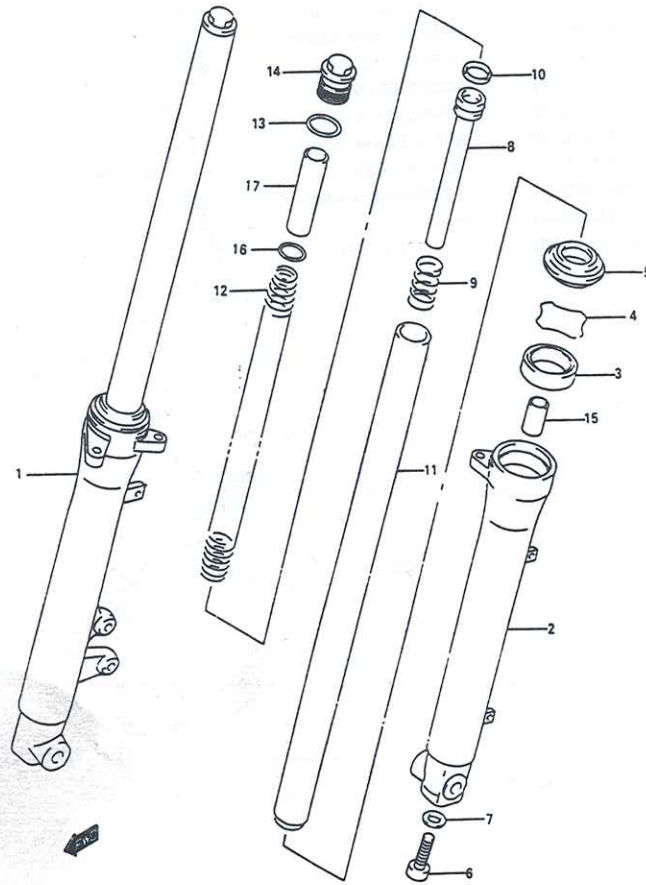


FIG. 43 (G-9) SEAT

REF. NO.	PART NO.	DESCRIPTION	Q'TY	REMARKS
1	45100M05F00	SEAT ASSY	1	
2	45149M31300	.CUSHION	3	
3	09321M10011	.CUSHION	2	
4	45119M05F00	PLATE, seat front hook	1	
5	45220M34A00	BRACKET, seat support	1	
6	02122-06253	SCREW (6x25)	2	
7	95700-31C00	LOCK ASSY, seat	1	
8	02142-05103	SCREW (5x10)	2	
9	45289M05F00	BRACKET, seat lock	1	
10	03541-15123	SCREW (5x12)	3	
11	46211M05F00	HANDLE, pillion rider	1	
12	01550-08303	BOLT	2	
13	45160M05F00	COVER PVC SEAT	1	

KR150

FIG. 44



4

FIG. 44 (H-2) FRONT DAMPER

REF. NO.	PART NO.	DESCRIPTION	Q'TY	REMARKS
	51103M05F00	DAMPER ASSY, front fork RH	1	
	51104M05F00	DAMPER ASSY, front fork LH	1	
1	51130M05F00	.TUBE, outer RH	1	
2	51140M05F00	.TUBE, outer LH	1	
3	51153M05F00	.OIL SEAL	2	
4	51156M29420	.RING, snap	2	
5	51173M05F00	.DUST SEAL	2	
6	51147M16510	.BOLT, cylinder	2	
7	51148M41310	.GASKET	2	
8	51146M05F00	.CYLINDER	2	
9	51177M37446	.SPRING	2	
10	51196M00A00	.RING	2	
11	51110M05F00	.TUBE, inner	2	
12	51171M05F00	.SPRING	2	
13	51117M05F00	.O RING	2	
14	51351M05F00	.CAP	2	
15	51195M49071	.PIECE, oil lock	2	
16	51172M05F00	.WASHER, spring	2	
17	51176M05F00	.SPACER	2	

FIG. 46

4

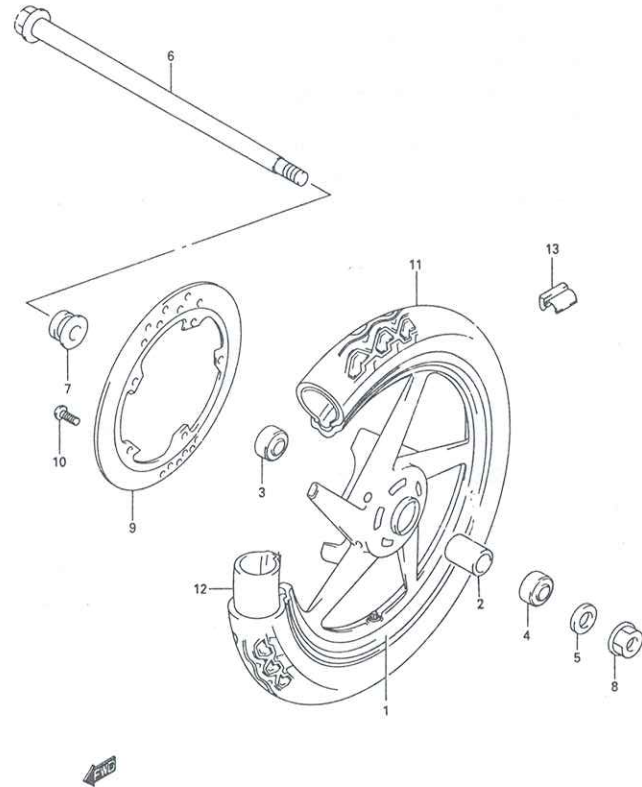


FIG. 46 (H-4) FRONT WHEEL

REF. NO.	PART NO.	DESCRIPTION	QTY	REMARKS
1	54111M05F10	WHEEL, front (17x1.85)	1	
2	09180M15011	SPACER (15.3x21.7x63)	1	
3	08123-62027	BEARING, RH	1	
4	08113-62027	BEARING, LH	1	
5	09284-22004	SEAL, oil LH (22x35x5)	1	
6	54711-19D60	AXLE, front	1	
7	54740-05F00	SPACER, axle RH	1	
8	08319-31128	NUT	1	
9	59211-05F00	DISC, front brake	1	
10	59421-03A10	BOLT, brake disc	5	
11	55110M05F00	TIRE, front (80/90-17 44S IRC)	1	
12	55200M03600	TUBE ASSY, wheel inner	1	
13-1	55411-00A00	BALANCER, wheel (10G)	0-3	
13-2	55412-00A01	BALANCER, wheel (20G)	0-3	
13-3	55413-00A01	BALANCER, wheel (30G)	0-3	

FIG. 47

DESCRIPTION	QTY	REMARKS
Disc (17x1.85)	1	
Disc (5.3x21.7x63)	1	
Disc RH	1	
Disc LH	1	
Disc (22x35x5)	1	
Disc	1	
Disc e RH	1	
Disc	1	
Disc rake	1	
Disc	5	
Disc (30/90-17 44S IRC)	1	
Disc wheel inner	1	
Disc wheel (10G)	0-3	
Disc wheel (20G)	0-3	
Disc wheel (30G)	0-3	

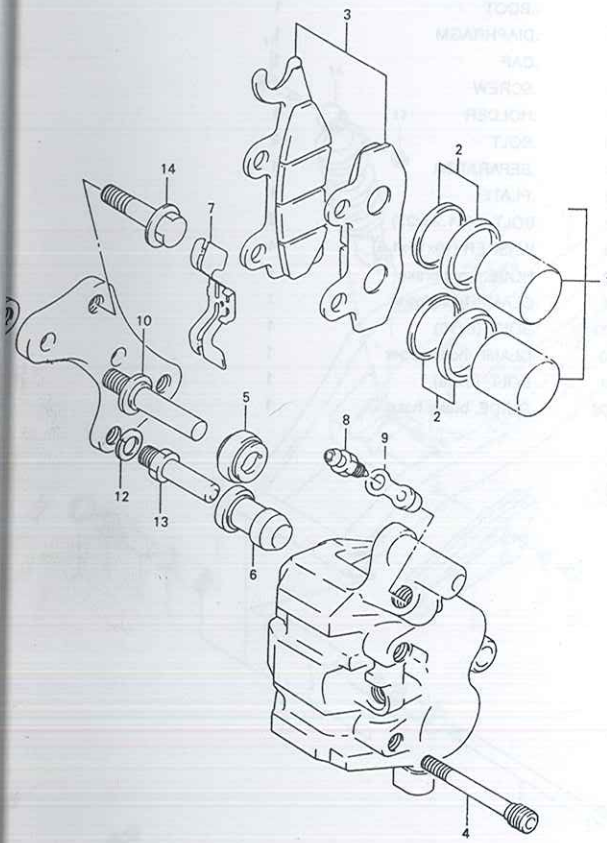


FIG. 47 (H-5) FRONT CALIPER

REF. NO.	PART NO.	DESCRIPTION	Q'TY	REMARKS
	59100-21D30	CALIPERS ASSY, front RH	1	
1	69100-31810	.PISTON SET	1	
2	59300-13820	..SEAL SET, piston	1	
3	59100M21850	.PAD SET	1	
4	59345-14600	.PIN	2	
5	59303-14500	.BOOT	1	
6	59386-13A00	.BOOT	1	
7	69115-31D10	.SPRING	1	
8	59121-01A00	.BLEEDER	1	
9	59122-01A00	.CAP, bleeder	1	
10	59387-00B20	.PIN	1	
11	59388-00B20	.NUT	1	
12	59314-13A00	.WASHER	1	
13	59382-13A00	.BOLT	1	
14	01550-08303	BOLT	2	

XR150

4

FIG. 48

4

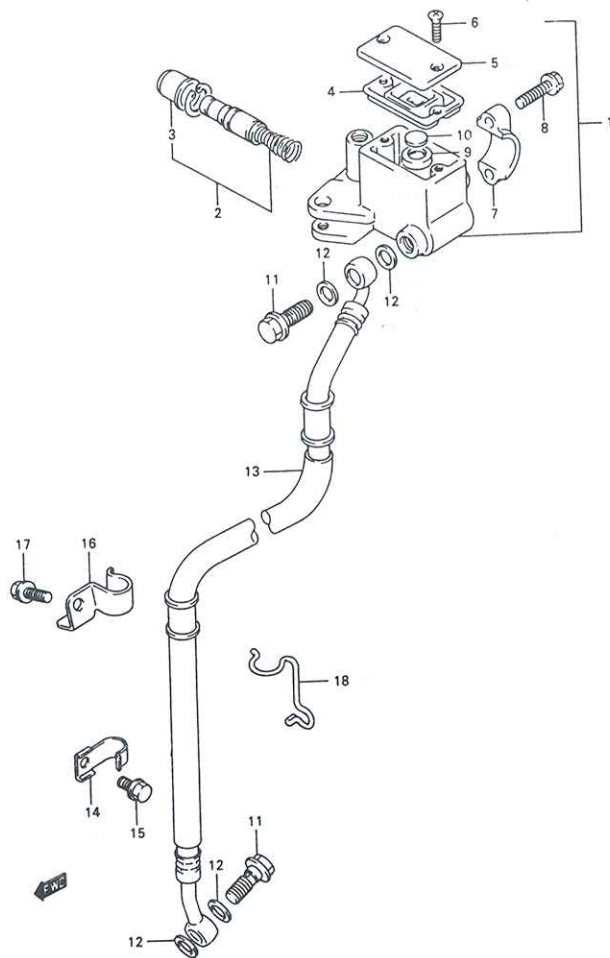


FIG. 48 (H-6) FRONT MASTER CYLINDER

REF. NO.	PART NO.	DESCRIPTION	Q'TY	REMARKS
1	59600-31D10	CYLINDER ASSY, front master	1	
2	59600-03810	.PISTON & CUP SET	1	
3	59666-44300	..BOOT	1	
4	59667-44B00	.DIAPHRAGM	1	
5	69669-24A01	.CAP	1	
6	69689-49300	.SCREW	1	
7	59671-36500	.HOLDER	1	
8	59675-19C00	.BOLT	2	
9	59748-15400	.SEPARATOR	1	
10	59749-15400	.PLATE	1	
11	09360-10042	BOLT (10x1.25x22)	2	
12	09161-10009	WASHER (10x15x1.5)	4	
13	59480-05F00	HOSE, front brake	1	
14	59268-19D50	CLAMP, hose lower	1	
15	01550M06103	BOLT (6x10)	1	
16	59266-38D00	CLAMP, hose upper	1	
17	01550-06163	BOLT (6x16)	1	
18	59243M05F00	GUIDE, brake hose	1	

QTY	REMARKS
1	ASSY, front master
1	CUP SET
1	
1	M
1	
1	
2	
1	R
1	
2	25x22)
4	0x15x1.5)
1	brake
1	e lower
1)
1	e upper
1)
1	ce hose

FIG. 49

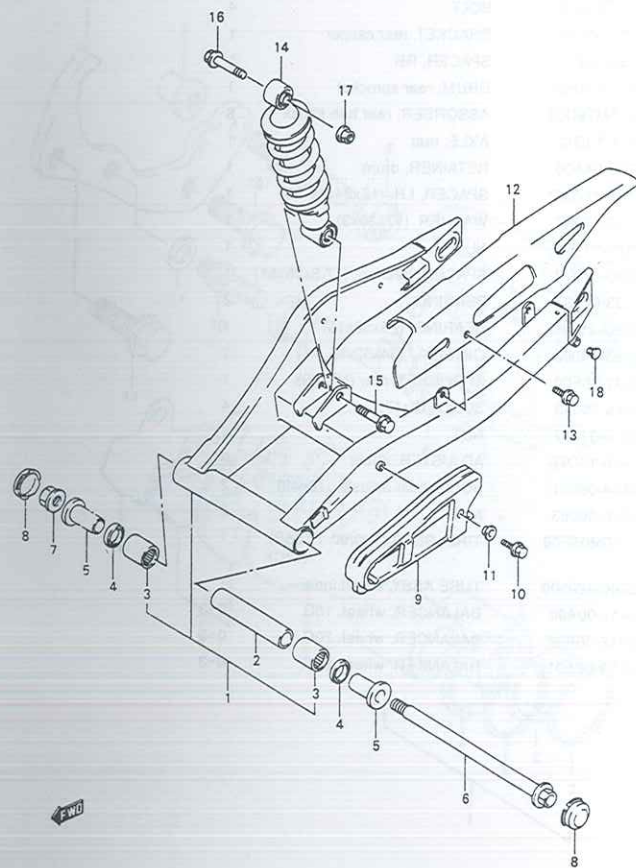
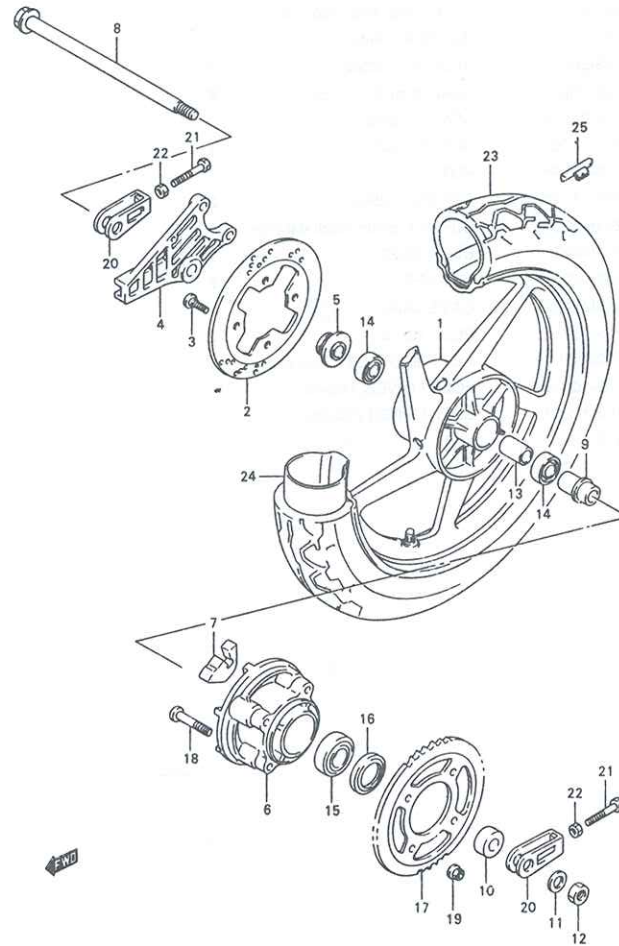


FIG. 49 (H-7) REAR SWINGING ARM

REF. NO.	PART NO.	DESCRIPTION	QTY	REMARKS
1	6100M05F00	SWINGING ARM ASSY, rear	1	
2	61282-05F00	.SPACER, center	1	
3	09263-20073	.BEARING (20x27x30)	2	
4	09283-20031	SEAL, dust (20x27x5)	2	
5	61252-05F00	SPACER, pivot	2	
6	61211-19D01	SHAFT, pivot	1	
7	08319-31148	NUT	1	
8	41499-14A00-019	CAP, Pivot (Black)	2	
9	61273M20D00	BUFFER, chain touch defense	1	
10	01550M06203	BOLT (6x20)	2	
11	09169-06064	WASHER	2	
12	61310M19D00	CASE, chain	1	
13	09116-06096	BOLT (6x10)	2	
14	62100M05F00	ABSORBER ASSY, rear shock	1	
15	09103-10049	BOLT, LOWER (10x44)	1	
16	09103-10213	BOLT, UPPER (10x52)	1	
17	08319-31107	NUT	1	
18	09250-08016	PLUG	2	

4

FIG. 50



FXR150

FIG. 50 (H-8) REAR WHEEL

REF. NO.	PART NO.	DESCRIPTION	Q'TY	REMARKS
1	64111M05F10	WHEEL, rear (17x2.15)	1	
2	69211-05F00	DISC, rear brake	1	
3	59421-03A10	BOLT	4	
4	69721-05F00	BRACKET, rear caliper	1	
5	64750-38211	SPACER, RH	1	
6	64611M04A01	DRUM, rear sprocket	1	
7	64651M19D00	ABSORBER, rear hub shock	6	
8	64711-19D12	AXLE, rear	1	
9	64733-04A00	RETAINER, drum	1	
10	09180M17087	SPACER, LH (17x34x16.50)	1	
11	09160-17047	WASHER (17x30x3)	1	
12	08319-21168	NUT	1	
13	09180-17072	SPACER, bearing (17.5x25x81)	1	
14	08133-62037	BEARING	2	
15	09262-25061	BEARING (25x52x15)	1	
16	09283-34003	OIL SEAL (34x52x6)	1	
17	64511-05F00	SPROCKET, rear (NT: 49)	1	
18	09119-10043	BOLT (10x47)	4	
19	08319-31107	NUT	4	
20	61410-19D70	ADJUSTER, chain	2	
21	09104-08031	BOLT, chain adjuster (8x49)	2	
22	08310-00083	NUT	2	
23	65110M05F00	TIRE, REAR (100/90-17 55S) (IRC)	1	
24	65200M29500	TUBE ASSY, wheel inner	1	
25-1	55411-00A00	BALANCER, wheel, 10G	0-3	
25-2	55412-00A01	BALANCER, wheel, 20G	0-3	
25-3	55413-00A01	BALANCER, wheel, 30G	0-3	

QTY	REMARKS
1	(17x2.15)
1	ake
4	
1	ar caliper
1	
1	rocket
6	rear hub shock
1	
1	rum
1	(17x34x16.50)
1	x30x3)
1	
1	ring (17.5x25x81)
2	
1	5x52x15)
1	4x52x6)
1	ear (NT: 49)
4	
4	
2	hain
2	adjuster (8x49)
2	
1	100/90-17 55S) (IRC)
1	wheel inner
0-3	wheel, 10G
0-3	wheel, 20G
0-3	wheel, 30G

FIG. 51

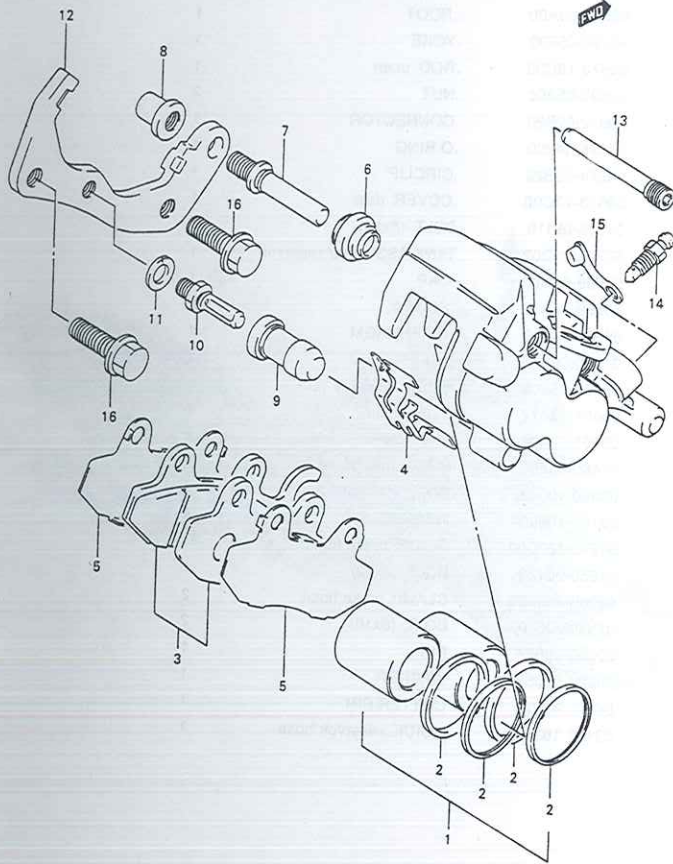
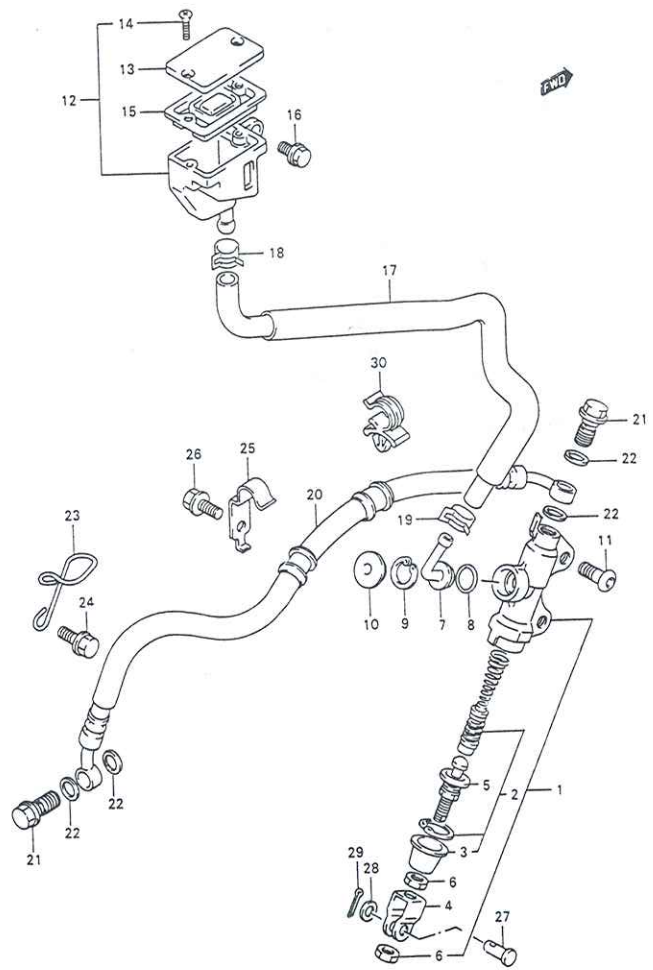


FIG. 51 (H-9) REAR CALIPER

REF. NO.	PART NO.	DESCRIPTION	QTY	REMARKS
	69100-05F00	CALIPER ASSY, rear	1	
1	69100-31810	.PISTON SET	2	
2	59300-13820	..SEAL SET, piston	1	
3	59100M21850	.PAD SET	1	
4	69115-31D10	.SPRING	1	
5	69132-31D00	.SHIM	2	
6	59303-14500	.BOOT	1	
7	59387-00B20	.BOLT	1	
8	59388-00B20	.NUT	1	
9	59386-13A00	.BOOT	1	
10	59382-13A00	.BOLT	1	
11	59314-13A00	.WASHER	1	
12	69151-31D00	.BRACKET	1	
13	59345-14600	.PIN	2	
14	59121-01A00	.BLEEDER	1	
15	59122-01A00	.CAP	1	
16	01550-10203	BOLT	2	

4

FIG. 52



4

FIG. 52 (H-10) REAR MASTER CYLINDER

REF. NO.	PART NO.	DESCRIPTION	Q'TY	REMARKS
1	69600-05F10	CYLINDER ASSY, rear master	1	
2	69600-21810	.PISTON/CUP SET	1	
3	69691-00A00	.BOOT	1	
4	69692-05F00	.YOKE	1	
5	69670-19C00	.ROD, push	1	
6	69693-05A00	.NUT	2	
7	69672-00B20	.CONNECTOR	1	
8	69696-34200	.O RING	1	
9	69674-00B20	.CIRCLIP	1	
10	59673-17C00	.COVER, dust	1	
11	09106-08110	BOLT (8x20)	2	
12	69740-01D02	TANK ASSY, rear reservoir	1	
13	59669-05D00	.CAP	1	
14	69689-04A00	.SCREW	2	
15	59667-04700	.DIAPHRAGM	1	
16	01550-06123	BOLT	1	
17	69730-05F00	HOSE, reservoir tank	1	
18	09401-13417	CLIP, upper	1	
19	09401-12404	CLIP, lower	1	
20	69480-05F00	HOSE, rear brake	1	
21	09360-10042	BOLT (10x1.25x22)	2	
22	09161-10009	WASHER	4	
23	69243M20D00	GUIDE, brake hose	1	
24	01550-06123	BOLT (6x12)	1	
25	69266M05F00	CLAMP, brake hose	2	
26	01550M06103	BOLT (6x10)	2	
27	09200-06037	PIN	1	
28	08322-01063	WASHER	1	
29	04111-20158	COTTER PIN	1	
30	09403-16307	GUIDE, reservoir hose	1	

DESCRIPTION	Q'TY	REMARKS
...NDER		
...TION		
...R ASSY, rear master	1	
...UP SET	1	
	1	
	1	
h	1	
	2	
...TOR	1	
	1	
	1	
ust	1	
...20)	2	
...Y, rear reservoir	1	
	1	
	2	
GM	1	
	1	
...ervoir tank	1	
...r	1	
...r	1	
...r brake	1	
...x1.25x22)	2	
	4	
ake hose	1	
...2)	1	
ake hose	2	
...0)	2	
	1	
	1	
IN	1	
...ervoir hose	1	

FIG. 53

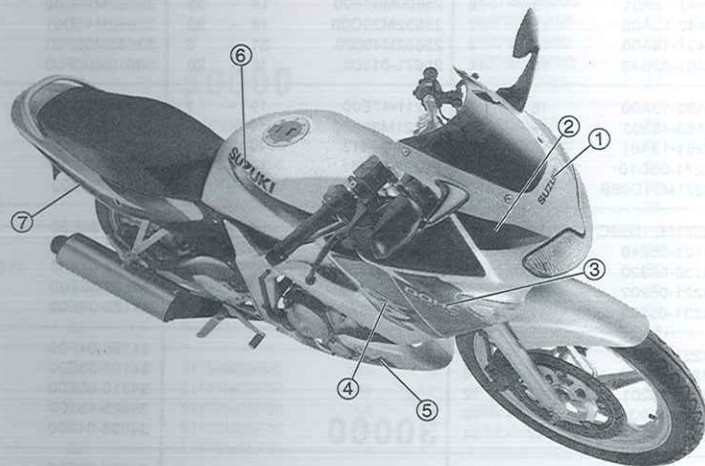


FIG. 53 STICKER

REF. NO.	PART NO.	DESCRIPTION	Q'TY	REMARKS
1	68190M05F99A	TAPE "SUZUKI" BODY COWLING	1	
2	68241M05F99A	TAPE SET BODY COWLING UPPER R/L	1	
3	68241M05F98A	TAPE SET BODY COWLING LOWER R/L	1	
4	68241M05F97A	TAPE SET COWLING SIDE R/L	1	
5	68261M05F99A	TAPE SET COWLING UNDER R/L	1	
6	68111M05F99A	TAPE SET FUEL TANK R/L	1	
7	68131M05F99A	TAPE SET COVER FRAME R/L	1	

4

XR150W

PART NO.	FIG. NO. REF. NO.	PART NO.	FIG. NO. REF. NO.	PART NO.	FIG. NO. REF. NO.
10000		12782-47E00	10 - 3	13279-45400	11 - 23
		12811-16E00	10 - 6	13291-29900	11 - 25
		12812-35C00	10 - 4	13295-29900	11 - 26
		12830-31312	10 - 7	13370-47E00	11 - 9
		12837M31320	10 - 9	13383-05F00	11 - 8
	11100M47E00	2 - 1	12839-38200	10 - 8	13385-05F00
11115-33D71	2 - 2	12891-16E00	9 - 7	13386-09410	11 - 29
11141-05F00	2 - 7	12892-05C00-120	9 - 15	13387-33E00	11 - 6
11171M47E00	1 - 1	12892-05C00-125	9 - 15	13394-17E60	11 - 7
11173-35C00	1 - 2	12892-05C00-130	9 - 15	13411-12D00	11 - 19
11178-17E00	1 - 3	12892-05C00-135	9 - 15	13417-01010	11 - 20
11210M05F00-0F0	3 - 1	12892-05C00-140	9 - 15	13417-47E00	11 - 2
11241M35C00	3 - 4	12892-05C00-145	9 - 15	13418-43410	11 - 21
11280-47E00	2 - 24	12892-05C00-150	9 - 15	13500-05F00	11 - 3
11300M05F10	4 - 1	12892-05C00-155	9 - 15	13502-05F00	11 - 1
11310M05F10	4 - 1	12892-05C00-160	9 - 15	13507-04F00	11 - 4
11320M05F10	4 - 1	12892-05C00-165	9 - 15	13581-47E00	11 - 5
11340M05F00	5 - 1	12892-05C00-170	9 - 15	13601-05148	11 - 32
11351M47E00	5 - 11	12892-05C00-175	9 - 15	13684-20A21	11 - 33
11361M05F00	5 - 20	12892-05C00-180	9 - 15	13720M05F00	12 - 1
11482M47E00	5 - 3	12892-05C00-185	9 - 15	13780-05F00	12 - 2
11483M47E00	5 - 12	12892-05C00-190	9 - 15	13883-05F00	12 - 5
11971-45010	5 - 2	12892-05C00-195	9 - 15	13872-41B10	12 - 7
12111M05F00-0F0	6 - 23	12892-05C00-200	9 - 15	13881M05F00	12 - 3
12111M05F00-050	6 - 23	12892-05C00-205	9 - 15	14181M18C00	13 - 1
12111M05F00-100	6 - 23	12892-05C00-210	9 - 15	14301M05F10	13 - 2
12140-05F11	6 - 24	12892-05C00-215	9 - 15	14781M05F00	13 - 9
12140-05F11-050	6 - 24	12892-05C00-220	9 - 15	16311-47E00	6 - 22
12140-05F11-100	6 - 24	12911-16E00	9 - 8	16321-05201	6 - 21
12151-43400	6 - 25	12912-16E00	9 - 9	16331-47E00	14 - 2
12161-05F00-0B0	6 - 2	12921-05F00	9 - 10	16400-47E10	14 - 1
12210-05F00	6 - 3	12931-16E00	9 - 11	16460-05F00	15 - 5
12220-05F00	6 - 5	12932-32C00	9 - 12	16470-05F00	15 - 5
12261-05F00	6 - 6	12933-16E00	9 - 13	16470-05F00	15 - 6
12600-05890	7 - 4	13111M05F00	2 - 18	16510-05240	14 - 7
12611-47E00	7 - 1	13121M05F00	2 - 19	16512-47E00	14 - 9
12651-05F00	8 - 1	13200-05F00	11	16520-30A00	14 - 6
12660-05850	8 - 4	13240-47E00	11 - 16	16600-41E00	15 - 1
12661-47E00	6 - 7	13246-43010	11 - 14		
12710-05F00	9 - 1	13247-13A00	11 - 27		
12720-05F00	9 - 2	13251-47E00	11 - 34		
12741-16E00	9 - 3	13254-20010	11 - 11		
12747-44B00	9 - 4	13267-20E20	11 - 28		
12760-16E00	10 - 1	13268-37420	11 - 30		
12771-16E00	10 - 2	13268-47070	11 - 24		

PART NO.	FIG. NO. REF. NO.	PART NO.	FIG. NO. REF. NO.	PART NO.	FIG. NO. REF. NO.
20000		25355-26D21	18 - 13	32101-05F00	21 - 1
		25356-12C00	18 - 14	32102-05F00	21 - 2
		25381-13E10	18 - 8	32371-30D00	21 - 5
		25411-21D10	18 - 3	32800-05F00	23 - 6
		25421-35410	18 - 4	32900-05F00	23 - 8
	21111-35C20	6 - 14	25510-47E00	18 - 18	32980M30D10
21112-35C00	6 - 15	25512-13E11	18 - 19	33410-19B00	23 - 10
21114-35C00	6 - 16	25520-22A00	18 - 27	33510-48B10	23 - 13
21200-35C30	16 - 1	25525-17E11	18 - 31	33541-23E01	23 - 14
21251-13E00	16 - 11	25526-47000	18 - 28	33542-47E00	23 - 15
21411-05200	16 - 3		18 - 34	33610M40D50-DRY	22 - 1
21441-13A01	16 - 6	25600M05F00	18 - 33	33652M28C00	22 - 2
21442-13A00	16 - 7	25652M20C00	18 - 35	33652M47D01	22 - 3
21451-19A00	16 - 8	25652M49300	31 - 6	33655M05F00	22 - 4
21461-02B40	16 - 14	25671-01000	18 - 20	33810M05F00	23 - 5
21483-13A00	16 - 9	26211-47E00	19 - 1	33820M05F00	22 - 5
23165-48000	16 - 12	26221M30A00	19 - 3	33860M05F00	28 - 3
23261-13A01	16 - 17	26231-09410	19 - 2	34120-05F00	24 - 1
23271-03D10	16 - 20	26232-09401	19 - 10	34123-33E00	24 - 2
23271M21D98B	16 - 23	26233-09400	19 - 11	34124-33E00	24 - 3
23271M21D99C	16 - 22	26241-47E10	19 - 5	34150-04F00	24 - 4
24121-05240	17 - 1	26300M05F00	19 - 13	34153-04F00	24 - 5
24130-05320	17 - 11	27510-41730	17 - 32	34172-33E00	24 - 6
24221-05202	17 - 2	27531-05210	17 - 33	34188-04F00	24 - 7
24231-05203	17 - 3	27600M36A20-132	17 - 34	34198-33E00	24 - 8
24251-05212	17 - 5			34810-05F00	34 - 7
24260-05202	17 - 6			34825-45100	34 - 8
24311-05201	17 - 12			34938-04F00	24 - 15
24321-05230	17 - 13			34955-33E00	24 - 12
24322-47E00	17 - 14			34990-05F00	24 - 16
24331-05203	17 - 15	31100-47E00	20 - 1	35100-05F00-999	25 - 1
24341-05203	17 - 16	31130-32C20	20 - 4	35124-05F00	25 - 2
24351-05211	17 - 17	31132-32C10	20 - 3	35125-05F00	25 - 3
24359-05200	17 - 27	31133-32C10	20 - 5	35159-05F00	25 - 4
24361-11C01	17 - 18	31135-32C10	20 - 7	35171-05F00	25 - 5
24741-05200	17 - 28	31150-06C00	20 - 13	35601M05F00	26 - 1
24741-12B00	17 - 8	31156-38300	20 - 9	35602M05F00	26 - 2
	18 - 10	31175-47E00	20 - 2	35612M05F00	26 - 3
24742-18A00	6 - 12	31264-32C10	20 - 10	35613M05F00	26 - 5
24751-05210	17 - 30	31281-20E00	20 - 8	35618M05F00	26 - 6
25221-08300	18 - 1	31361-32C10	20 - 12	35632M05F00	26 - 4
25231-47E00	18 - 2	31361-38300	20 - 11	35638M05F00	26 - 7
25310-47E20	18 - 5	31497-45000	21 - 3	35652M05F00	27 - 3
25312-12C00	18 - 9	31800-47E00	23 - 1	35672M05F00	27 - 4
25350-26D01	18 - 12	31861-47E00	23 - 2	35710M05F00	27 - 1

5

F. NO.
- 1
- 2
- 5
- 6
- 8

- 9
- 10
13
14
15

1
2
3
4
5

5
3
1
2
3

4
5
6
7
8

7
8
15
12
16

1
2
3
4
5

1
2
3
5
6

4
7
3
4
1

PART NO.	FIG. NO.	REF. NO.	PART NO.	FIG. NO.	REF. NO.	PART NO.	FIG. NO.	REF. NO.
35712M05F00	27	- 2	47111M05F00	35	- 1	55110M05F00	46	- 11
35912M05F00	27	- 5	47115M05F00	35	- 6	55200M03600	46	- 12
35970M05F00	27	- 13	47211M05F00	35	- 2	55411-00A00	46	- 13
36610M05F00	28	- 1	47311M05F00	35	- 5		50	
36611-38A00	28	- 10	47511M05F00	35	- 7	55412-00A01	46	- 13
37100-05F00	28	- 4	47611M05F00	35	- 8		50	
37200-27E31	29	- 1				55413-00A01	46	- 13
37400-05F00	29	- 4					50	- 26
37720-05F00	18	- 38				56110M05F00	37	- 1
37740-31D00	28	- 5				56150M05F00	37	- 2
38500-19D00	28	- 7				56272M21D00	37	- 8
38610-09410	26	- 10				56272M44500	37	- 11
38740-26E00	28	- 9				56276-17D00	37	- 9
			50000			56278M05F00	37	- 7
						56500-05F00	37	- 13
			51103-05F00	44		56600-05F00	37	- 14
			51104-05F00	44		56711M05F00	37	- 15
			51110M05F00	44	- 11	57110M46E01	38	- 1
40000			51117M05F00	44	- 13	57211M22D01	38	- 7
			51130M05F00	44	- 1	57421M13001	38	- 2
41100M05F00	30	- 1	51140M05F00	44	- 2	57431-04F00	38	- 3
41499-14A00-019	49	- 8	51146M05F00	44	- 8	57441-11010	38	- 12
42310M05F00	31	- 1	51147M16510	44	- 6	57442-11010	38	- 13
43110M05F00	31	- 5	51148M41310	44	- 7	57460-17C00	38	- 5
43511M05F00	32	- 9	51153M05F00	44	- 3	57465-17C00	38	- 6
43511-32C00	32	- 1	51156M29420	44	- 4	57500-05F00	38	- 8
43521M05F00	32	- 10	51171M05F00	44	- 12	57531-14A00	38	- 10
43521-32C00	32	- 2	51172M05F00	44	- 16	57621-05F00	38	- 9
43530M06C01	32	- 3	51173M05F00	44	- 5	57661M05F00	38	- 15
43611-33E00	32	- 12	51176M05F00	44	- 17	58200M05F00	37	- 18
43621-33E00	32	- 13	51177M37446	44	- 9	58300M05F00	37	- 22
44100M05F00	33	- 1	51195M49071	44	- 15	58333-35400	37	- 20
44200-33870	33	- 2	51196M00A00	44	- 10	58410M05F00	37	- 19
44300-05F00	34	- 1	51311-05F00	45	- 4	59100-21D30	47	
44511-32C01	33	- 4	51351M05F00	44	- 14	59100M21850	47	- 3
44512M42E00	33	- 7	51353-05F00	45	- 7		51	- 3
44540M42E00	33	- 5	51356-05F00	45	- 6	59121-01A00	47	- 8
45100M05F00	43	- 1	51410-05F00	45	- 1		51	- 14
45119M05F00	43	- 4	51631-28000	45	- 10	59122-01A00	47	- 9
45149M31300	43	- 2	51643-49002	45	- 9		51	- 15
45160M05F00	43	- 13	53111M05F00	36	- 1	59211-05F00	46	- 9
45220M34A00	43	- 5	53114-19C00	36	- 2	59243M05F00	48	- 18
45289M05F00	43	- 9	54111M05F10	46	- 1	59266-38D00	48	- 16
45562M44410	41	- 10	54711-19D60	46	- 6	59268-19D50	48	- 14
46211M05F00	43	- 11	54740-05F00	46	- 7	59300-13820	47	- 2

PART NO.	FIG. NO.	REF. NO.	PART NO.	FIG. NO.	REF. NO.	PART NO.	FIG. NO.	REF. NO.
59303-14500	51	- 2	63161-43E00	39	- 3	69693-05A00	52	- 6
	47	- 5	63411M05F10	39	- 5	69721-05F00	50	- 4
	51	- 6	64111M05F10	50	- 1	69730-05F00	52	- 17
59314-13A00	47	- 12	64511-05F00	50	- 17	69740-01D02	52	- 12
	51	- 11	64611M04A01	50	- 6			
59345-14600	47	- 4	64651M19D00	50	- 7			
	51	- 13	64711-19D12	50	- 8			
59382-13A00	47	- 13	64733-04A00	50	- 9			
	51	- 10	64750-38211	50	- 5			
59386-13A00	47	- 6	65110M05F00	50	- 23	90000		
	51	- 9	65200M29500	50	- 24	94410M05F00	40	- 1
59387-00B20	47	- 10	68111M05F99A	53	- 6	94416M05F00	41	- 11
	51	- 7	68131M05F99A	53	- 7	94421M05F00	40	- 2
59388-00B20	47	- 11	68190M05F99A	53	- 1	94426M05F00	41	- 5
	51	- 8	68241M05F00A	33	- 11	94431M05F00	40	- 7
59421-03A10	46	- 10	68241M05F97A	53	- 4			
	50	- 3	68241M05F98A	53	- 3	94441M05F00	40	- 8
59480-05F00	48	- 13	68241M05F99A	53	- 2	94470M05F00	41	- 8
59600-03810	48	- 12	68261M05F99A	53	- 5	94471M05F00	40	- 9
59600-31D10	48	- 1	68319M33E00	42	- 1	94481M05F00	40	- 10
59666-44300	48	- 3	68332M05F00	42	- 3	94484-32B00	41	- 4
59667-04700	52	- 15	68612M48B00	42	- 2	94510M05F00	41	- 1
59667-44B00	48	- 4	68891-19D00	42	- 3	94550M05F00	41	- 15
59669-05D00	52	- 13	69100-05F00	51		94560M05F00	41	- 16
59671-36500	48	- 7	69100-31810	47	- 1	94611M05F00	40	- 3
59673-17C00	52	- 10				95700-31C00	43	- 7
59675-19C00	48	- 8	69115-31D10	47	- 7	99011-05F50-08A	42	- 4
59748-15400	48	- 9						
59749-15400	48	- 10	69132-31D00	51	- 5			
			69151-31D00	51	- 12			
			69211-05F00	50	- 2			
			69243M20D00	52	- 23			
			69266M05F00	52	- 25			
60000			69480-05F00	52	- 20	00000		
			69600-05F10	52	- 1			
61000M05F00	49	- 1	69600-21810	52	- 2	01421-06253	2	- 15
61211-19D01	49	- 6	69669-24A01	48	- 5		3	- 2
61252-05F00	49	- 5	69670-19C00	52	- 5	01500-06103	17	- 31
61273M20D00	49	- 9	69672-00B20	52	- 7	01500-06123	19	- 12
61282-05F00	49	- 2	69674-00B20	52	- 9	01500-06163	16	- 21
61310M19D00	49	- 12	69686-34200	52	- 8	01500-08253	19	- 14
61410-19D70	50	- 20	69689-04A00	52	- 14	01517-08358	45	- 5
62100M05F00	49	- 14	69689-49300	48	- 6	01517-10405	45	- 3
63111M05F00	39	- 1	69691-00A00	52	- 3	01547-06163	14	- 13
63120M05F00	39	- 4	69692-05F00	52	- 4	01547-06203	38	- 14

5

5

PART NO.	FIG. NO. REF. NO.	PART NO.	FIG. NO. REF. NO.	PART NO.	FIG. NO. REF. NO.
01547-06253	20 - 15	02112-06163	2 - 21	08211-06141	18 - 15
01547-06303	5 - 5	02112-06253	21 - 6	08211-06181	10 - 5
01547-06353	5 - 13	02112-34123	20 - 6	09106-08110	18 - 16
01547-06403	4 - 3	02122-06123	17 - 29	08211-10285	8 - 5
	5 - 6	02122-06203	14 - 5	08211-14321	19 - 8
	5 - 21	02122-06253	43 - 6	08211-15251	17 - 23
	23 - 12	02142-05103	12 - 9	08211-20352	16 - 2
01547-06407	4 - 3		43 - 8	08310-00067	18 - 30
01547-06503	5 - 14	02142-05163	41 - 7	08310-00083	50 - 22
01547-06653	4 - 4		41 - 13	08313-20063	37 - 16
01547-06703	14 - 12		41 - 20	08313-20083	41 - 3
01550-05163	24 - 21	02142M06087	13 - 10	08316-10053	27 - 14
01550M06103	41 - 9	02142-06127	41 - 22	08316-10063	2 - 16
	48 - 15	02142-06203	23 - 7		3 - 3
	52 - 26	02142-16407	41 - 14		18 - 17
01550-06123	2 - 10	02162-05083	24 - 14		27 - 12
	2 - 11	03511-04163	25 - 6		39 - 7
	4 - 7		27 - 8	08316-10123	21 - 10
	28 - 9	03511-05123	25 - 11	08319-21063	38 - 4
	52 - 16	03541-04163	41 - 6	08319-21168	50 - 12
	52 - 24	03541-04203	24 - 11	08319-31083	13 - 8
01550-06163	48 - 17	03541-15123	35 - 4	08319-31103	37 - 5
01550M06203	49 - 10		43 - 10	08319-31107	4 - 17
01550-06303	33 - 9	04111-20158	52 - 29		49 - 17
01550-08303	47 - 14	04111-25158	32 - 8		50 - 19
01550-08353	13 - 4	04211-09149	5 - 4	08319-31128	46 - 8
01550-08357	45 - 5		5 - 17	08319-31148	49 - 7
01550-10163	8 - 6	04211-11129	3 - 5	08321M01063	13 - 11
01550-10203	51 - 16	04211-11169	2 - 8	08322-01053	40 - 5
01570-08353	41 - 2	04211-13189	4 - 2	08322-01063	52 - 28
01810-08303	43 - 12	04221-04089	18 - 6	08331-31146	18 - 26
02112-04083	11 - 10	04221-08129	6 - 8	08332-11043	32 - 17
02112-05087	11 - 31	06111-07004	32 - 16	08332-11063	14 - 4
02112-05103	21 - 4	07130-06163	7 - 6	08341-31039	21 - 11
	21 - 8		15 - 10	09100-06091	18 - 29
	29 - 7	07130-06203	10 - 10	09103-06108	2 - 6
02112-05163	18 - 39	07130-08163	32 - 11		2 - 12
02112-05253	29 - 5	07130-08253	13 - 3	09103-06132	2 - 5
02112-05303	29 - 2	08113-62027	17 - 24	09103-08289	2 - 23
02112-05453	29 - 6		46 - 4	09103-08305	2 - 13
02112-05503	29 - 3	08113-69050	18 - 7	09103-10049	49 - 15
02112-06103	21 - 9	08123-60027	17 - 10	09103-10052	4 - 15
02112-06123	6 - 13	08123-62027	46 - 3	09103-10148	4 - 16
	17 - 9	08123-62057	50 - 15	09103-10213	49 - 16
	18 - 11	08133-62037	50 - 14	09104-08031	50 - 21

PART NO.	FIG. NO. REF. NO.	PART NO.	FIG. NO. REF. NO.	PART NO.	FIG. NO. REF. NO.
09106-05017	33 - 3	09161-10009	48 - 12	09208-06003	32 - 14
09106-07009	1 - 4		52 - 22	09209-05011	18 - 41
09106-08110	52 - 11	09161-11008	1 - 5	09247-12103	4 - 5
09106-10022	37 - 3	09161-18005	18 - 36		4 - 10
09106-10064	32 - 4	09164-16005	6 - 19	09247-12106	4 - 12
09111-06032	9 - 5	09164-18002	18 - 37	09247-14026	5 - 18
09111-10047	31 - 3	09167-20011	17 - 21	09248-14005	5 - 9
09116-05003	16 - 16	09167-20030	17 - 36	09250-08012	37 - 4
09116-06024	39 - 2	09168-06004	2 - 9	09250-08016	49 - 18
09116-06096	49 - 13		4 - 8	09259-20008	5 - 7
09116-06143	15 - 2	09168-06026	34 - 3	09259-26011	5 - 15
09117-05003	34 - 9	09168-08021	2 - 14	09261-02001	14 - 3
09119-10043	50 - 18	09168-10012	2 - 25	09261-05005	9 - 6
09127-06018	37 - 6	09168-12002	4 - 6	09262-20019	8 - 3
09128-06013	23 - 4		4 - 9		17 - 7
09128M06006	34 - 2		4 - 11		17 - 26
09132-03005	24 - 9	09168-14002	5 - 10	09262-20137	8 - 2
09132-05017	26 - 9		5 - 19	09262-28035	6 - 9
09136-05051	25 - 8	09168-14011	15 - 7	09262-55038	6 - 10
09136-06009	12 - 11	09169-05010	36 - 4	09263-10002	16 - 13
09136-06103	41 - 17	09169-05021	41 - 21	09263-14027	18 - 22
09136-06105	35 - 12	09169M06033	41 - 23	09263-15023	17 - 20
09137-05004	20 - 16	09169-06064	49 - 11	09263-20073	49 - 3
09139-05022	36 - 3	09169-06071	39 - 6	09263-22031	7 - 5
09139-05025	40 - 4	09169-16003	16 - 4	09263-30048-063	6 - 4
09139-05054	35 - 9	09180M06198	23 - 11	09265-25019	45 - 8
09139-06027	36 - 6	09180-06263	41 - 18	09265-30009	45 - 2
09140-06011	18 - 32	09180M06271	33 - 8	09280-04004	4 - 13
09140-16005	16 - 5	09180M06285	27 - 10	09280-12008	15 - 9
09140-16017	17 - 35	09180M06286	35 - 13	09280-13004	14 - 10
09140-16019	6 - 17	09180-06290	37 - 17	09280-17003	5 - 8
09159-05019	40 - 6	09180-06310	15 - 3	09280-19005	17 - 37
09159-05026	36 - 5	09180-08149	32 - 6	09280-22008	5 - 16
09159-06024	37 - 12	09180M08151	13 - 6	09280-24003	20 - 14
09159-10097	31 - 4	09180-13007	7 - 2	09280-26007	18 - 40
09160-05037	24 - 13	09180M15011	46 - 2	09280-35001	2 - 20
09160-05501	25 - 9	09180-17072	50 - 13	09280-54001	14 - 8
09160-06077	27 - 9	09180M17087	50 - 10	09282-12009	6 - 11
09160-06126	37 - 10	09181-14167	18 - 21	09283-14006	18 - 23
09160-08133	13 - 5	09181-16223	19 - 9	09283-27010	17 - 25
09160-12086	16 - 18	09181-20167	17 - 22	09283-34003	50 - 16
09160-16003	6 - 18	09200-06037	52 - 27	09284-22004	46 - 5
09160-17047	50 - 11	09200-08067	32 - 5	09285-10004	16 - 19
09160-18022	31 - 7	09206-08001	2 - 4	09285-16003	19 - 7
09160-20056	16 - 10	09206-13003	7 - 3	09285-20005	49 - 4

PART NO.	FIG. NO. REF. NO.
09285-43001	
09289-04002	
09320-07015	
09320M08018	
09320-09009	
09320-09026	
09320-10015	
09320M10020	
09320M10045	
09320M10044	
09320M12033	
09321M10011	
09352-60103	
09352-70103	
09355-54115	
09360-10042	
09360-10047	
09360-12006	
09380-20009	
09381-10004	
09381-16001	
09401-10409	
09401-12404	
09401-13417	
09401-14301	
09402-46208	
09402-52208	
09403-07401	
09403-16307	
09404-06429	
09404-06432	
09407-10402	
09407-14403	
09407-14407	
09407-18401	
09408-00102	
09409-10306	
09420-04008	
09421-04004	
09440-04010	

